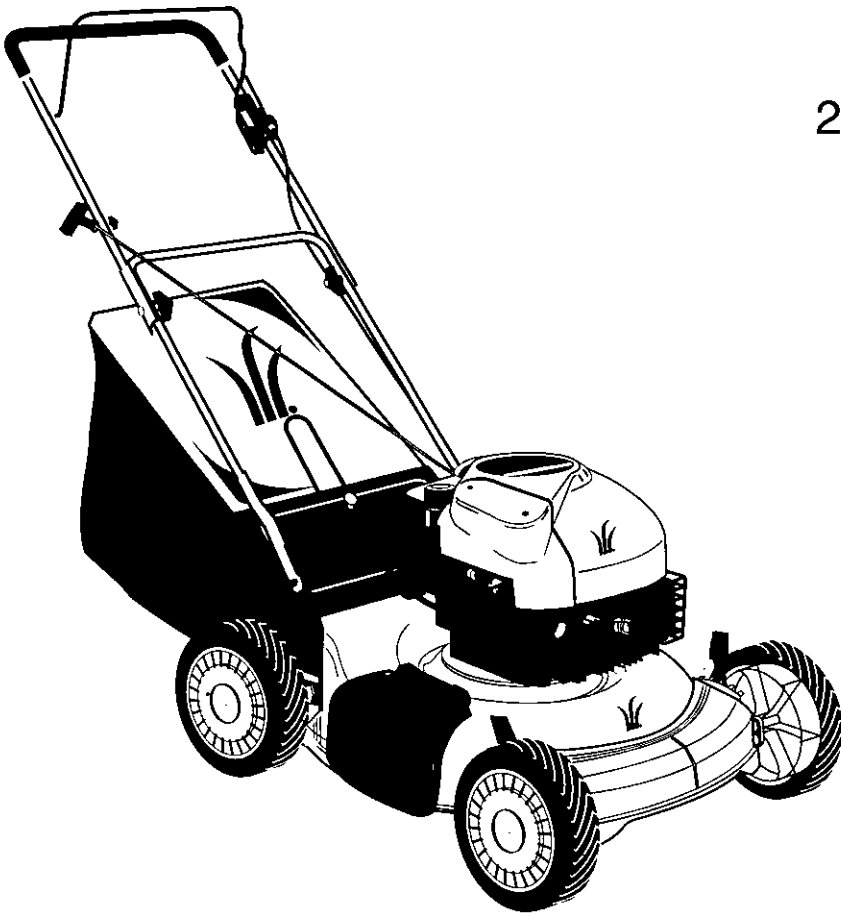




OWNER'S GUIDE



21" REAR DISCHARGE-
MULCHING MOWER

MODEL SERIES
436

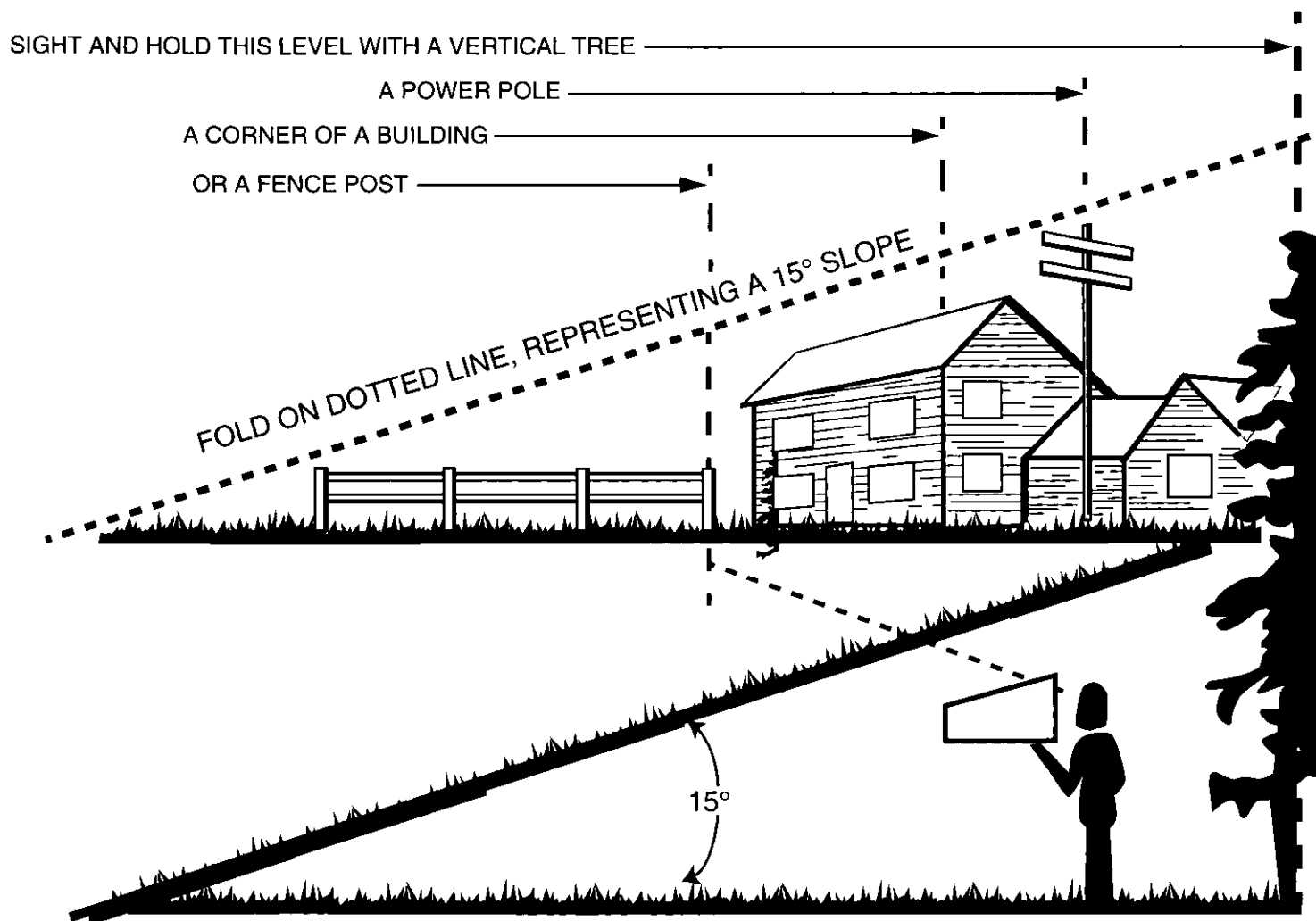


IMPORTANT: READ SAFETY RULES AND INSTRUCTIONS CAREFULLY

Warning: This unit is equipped with an internal combustion engine and should not be used on or near any unimproved forest-covered, brush-covered or grass-covered land unless the engine's exhaust system is equipped with a spark arrester meeting applicable local or state laws (if any). If a spark arrester is used, it should be maintained in effective working order by the operator. In the State of California the above is required by law (Section 4442 of the California Public Resources Code). Other states may have similar laws. Federal laws apply on federal lands. A spark arrester for the muffler is available through your nearest engine authorized service dealer or contact the service department, P.O. Box 368022 Cleveland, Ohio 44136-9722.

MTD PRODUCTS INC. P.O. BOX 368022 CLEVELAND, OHIO 44136-9722

USE THIS PAGE AS A GUIDE TO DETERMINE SLOPES WHERE YOU MAY NOT OPERATE SAFELY.



WARNING



Do not mow on inclines with a slope in excess of 15 degrees (a rise of approximately 2-1/2 feet every 10 feet). A riding mower could overturn and cause serious injury. If operating a walk-behind mower on such a slope, it is extremely difficult to maintain your footing and you could slip, resulting in serious injury. Operate RIDING mowers up and down slopes, never across the face of slopes. Operate WALK-BEHIND mowers across the face of slopes, never up and down slopes.

SECTION 2: IMPORTANT SAFE OPERATION PRACTICES



WARNING: THIS SYMBOL POINTS OUT IMPORTANT SAFETY INSTRUCTIONS WHICH, IF NOT FOLLOWED, COULD ENDANGER THE PERSONAL SAFETY AND/OR PROPERTY OF YOURSELF AND OTHERS. READ AND FOLLOW ALL INSTRUCTIONS IN THIS MANUAL BEFORE ATTEMPTING TO OPERATE YOUR LAWN MOWER. FAILURE TO COMPLY WITH THESE INSTRUCTIONS MAY RESULT IN PERSONAL INJURY. WHEN YOU SEE THIS SYMBOL, HEED ITS WARNING.



DANGER: Your lawn mower was built to be operated according to the rules for safe operation in this manual. As with any type of power equipment, carelessness or error on the part of the operator can result in serious injury. This lawn mower is capable of amputating hands and feet and throwing objects. Failure to observe the following safety instructions could result in serious injury or death.

1. GENERAL OPERATION

- Read this owner's guide carefully in its entirety before attempting to assemble this machine. Read, understand, and follow all instructions on the machine and in the manual(s) before operation. Be completely familiar with the controls and the proper use of this machine before operating it. Keep this manual in a safe place for future and regular reference and for ordering replacement parts.
- Your rotary mower is a precision piece of power equipment, not a plaything. Therefore, exercise extreme caution at all times. Your unit has been designed to perform one job: to mow grass. Do not use it for any other purpose.
- Never allow children under 14 years old to operate a power mower. Children 14 years old and over should only operate mower under close parental supervision. Only responsible individuals who are familiar with these rules of safe operation should be allowed to use your mower.
- Keep the area of operation clear of all persons, particularly small children and pets. Stop engine when they are in the vicinity of your mower to help prevent blade contact or thrown object injury. Although the area of operation should be completely cleared of foreign objects, an object may have been overlooked and could be accidentally thrown by the mower in any direction and cause serious personal injury to the operator or any others allowed in the area.
- Thoroughly inspect the area where the equipment is to be used. Remove all stones, sticks, wire, bones, toys and other foreign objects which could be picked up and thrown by the mower in any direction and cause serious personal injury to the operator or any others allowed in the area. Plan your mowing pattern to avoid discharge of material toward roads, sidewalks, bystanders and the like. To help avoid a thrown objects injury, keep children, bystanders and helpers at least 75 feet from the mower while it is in operation.
- Always wear safety glasses or safety goggles during operation or while performing an adjustment or repair, to protect eyes from foreign objects that may be thrown from the machine in any direction.
- Wear sturdy, rough-soled work shoes and close-fitting slacks and shirts. Shirts and pants that cover the arms and legs and steel-toed shoes are recommended. Do not wear loose fitting clothes or jewelry. They can be caught in moving parts. Never operate a unit in bare feet, sandals, slippery or light weight (e.g. canvas) shoes.
- Do not put hands or feet near or under rotating parts. Keep clear of discharge opening at all times as the rotating blade can cause injury.
- Many injuries occur as a result of the mower being pulled over the foot during a fall. Do not hang on to the mower if you are falling; release the handle immediately.
- Never pull the mower toward you while you are walking. If you must back the mower away from a wall or obstruction first look down and behind, and then follow these steps:
 - Step back from the mower to fully extend your arms.
 - Be sure you are well balanced with sure footing.
 - Pull the mower back slowly, no more than half way toward you.
 - Repeat these steps as needed.
- Do not operate the mower while under the influence of alcohol or drugs.
- Do not engage the self-propelled mechanism on units so equipped while starting engine.
- The blade control handle is a safety device. Never attempt to bypass its operation. Doing so makes the safety device inoperative and may result in personal injury through contact with the rotating blade. The blade control handle must operate easily in both directions and automatically return to the disengaged position when released.

- Never operate the mower in wet grass. Always be sure of your footing. A slip and fall can cause serious personal injury. Keep a firm hold on the handle and walk, never run. If you feel you are losing your footing, **RELEASE THE BLADE CONTROL HANDLE IMMEDIATELY** and the blade will stop rotating within three seconds.
- Mow only in daylight or good artificial light.
- Stop the blade when crossing gravel drives, walks or roads.
- If the equipment should start to vibrate abnormally, stop the engine and check immediately for the cause. Vibration is generally a warning of trouble.
- Shut the engine off and wait until the blade comes to a complete stop before removing the grass catcher or unclogging the chute. The cutting blade continues to rotate for a few seconds after the engine is shut off. Never place any part of the body in the blade area until you are sure the blade has stopped rotating.
- Never operate mower without proper guards, grass catcher, plates or other safety protective devices in place.
- Muffler and engine become hot and can cause a burn. Do not touch.
- Only use accessories approved for this machine by the manufacturer. Read, understand, and follow all instructions provided with the approved accessory.
- If situations occur which are not covered in this manual, use care and good judgment. Contact your dealer for assistance. Telephone 1-800-800-7310 for the name of your nearest dealer.

2. SLOPE OPERATION

For your safety, use the slope gauge included as part of this manual to measure slopes before operating this unit on a sloped or hilly area. If the slope is greater than 15 degrees as shown on the slope gauge, do not operate this unit on that area or serious injury could result.

DO:

- Mow across the face of slopes; never up and down. Exercise extreme caution when changing direction on slopes.
- Watch for holes, ruts, hidden objects, or bumps. Tall grass can hide obstacles.
- Always be sure of your footing. A slip and fall can cause serious personal injury. If you feel you are losing your balance release the blade control handle immediately and the blade will stop in less than 3 seconds.

DO NOT:

- Do not mow near drop-offs, ditches or embankments. The operator could lose footing or balance.
- Do not mow slopes greater than 15 degrees as shown on the slope gauge.

- Do not mow on wet grass. Reduced footing could cause slipping.

3. CHILDREN

Tragic accidents can occur if the operator is not alert to the presence of children. Children are often attracted to the mower and the mowing activity. Never assume that children will remain where you last saw them.

- Keep children out of the mowing area and under the watchful care of a responsible adult other than the operator.
- Be alert and turn mower off if a child enters the area.
- Before and while moving backwards, look behind and down for small children or other objects.
- Never allow children under age 14 to operate the mower. Children 14 years of age and above should read and understand the operation instructions and safety rules in this manual.
- Use extreme care when approaching blind corners, shrubs, trees, or other objects that may obscure your vision of a child or hazard.

4. SERVICE

- Use extreme care in handling gasoline and other fuels. They are extremely flammable and the vapors are explosive.
- Use only an approved gasoline container.
- Never remove gas cap or add fuel while the engine is running. Allow engine to cool at least two minutes before refueling.
- Replace gasoline cap securely and wipe off any spilled gasoline before starting the engine as it may cause a fire or explosion.
- Extinguish all cigarettes, cigars, pipes and other sources of ignition.
- Never refuel machine indoors because flammable vapors will accumulate in the area.
- Never store the machine or fuel container inside where there is an open flame or spark such as a gas water heater, space heater, or furnace.
- Never run an engine inside a closed area.
- To reduce fire hazard, keep mower free of grass, leaves, or other debris build-up. Clean up oil or fuel spillage. Allow mower to cool at least 5 minutes before storing.
- Before cleaning, repairing, or inspecting, make certain the blade and all moving parts have stopped. Disconnect the spark plug wire, and keep the wire away from the spark plug to prevent accidental starting.
- Check the blade and engine mounting bolts at frequent intervals for proper tightness. Also, visually inspect blade for damage (e.g., bent, cracked or worn). Replace with blade which meets original equipment specifications listed in this manual.
- Keep all nuts, bolts, and screws tight to be sure the equipment is in safe working condition.

- Never tamper with safety devices. Check their proper operation regularly.
- After striking a foreign object, stop the engine, remove the wire from the spark plug, and thoroughly inspect the mower for any damage. Repair the damage before starting and operating the mower.
- Never attempt to make a wheel or cutting height adjustment while the engine is running.
- Grass catcher components are subject to wear, damage and deterioration, which could expose

moving parts or allow objects to be thrown. For safety protection, frequently check components and replace with manufacturer's recommended parts, when necessary.

- Mower blades are sharp and can cut. Wrap the blade(s) or wear gloves, and use extra caution when servicing them.
- Do not change the engine governor setting or overspeed the engine. Excessive engine speeds are dangerous.



WARNING - YOUR RESPONSIBILITY: Restrict the use of this power machine to persons who read, understand and follow the warnings and instructions in this manual and on the machine.



Figure 1 Safety Labels Found On Lawn Mower

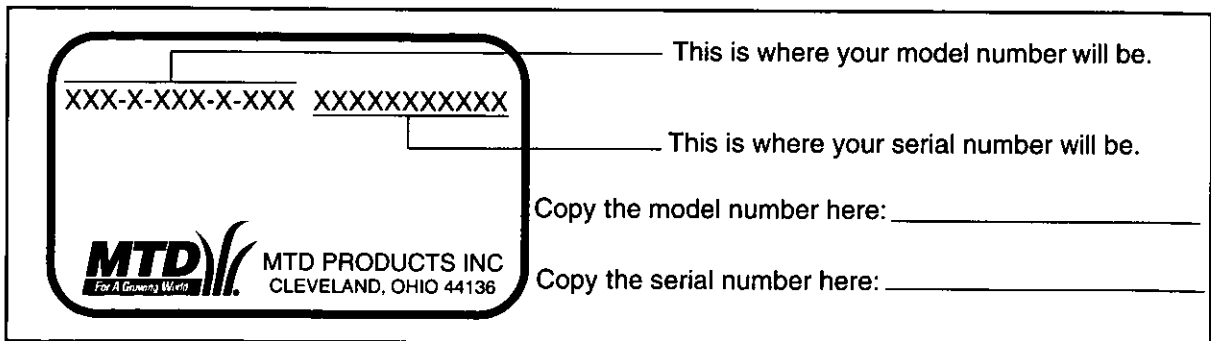
SECTION 3: FINDING YOUR MODEL NUMBER

This Owner's Guide is an important part of your new lawn mower. It will help you assemble, prepare and maintain your mower. Please read and understand what it says.

Before you start to prepare your mower for its first use, please locate the model plate and copy the information from it in this Owner's Guide. The information on the model plate is very important if you need help from your dealer or the MTD customer support department.

- Every mower has a model plate. You can locate it by standing behind the unit in the operating position and looking down at the cutting deck.

The model plate will look like this.



SECTION 4: UNPACKING

TO REMOVE UNIT FROM CARTON

1. Remove staples, break glue on top flaps, or cut tape at carton end and peel along top flap to open carton.
2. Remove loose parts if included with unit (i.e., owner's manual, etc.).
3. Cut along dotted lines and lay carton down flat.
4. Remove packing material.
5. Roll or slide unit out of carton. Check carton thoroughly for loose parts.

DISCONNECT AND GROUND SPARK PLUG WIRE

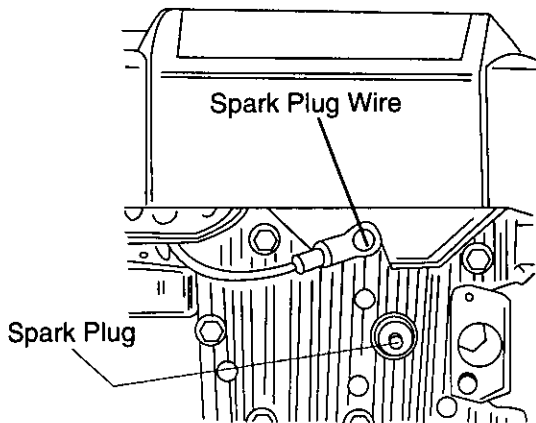


FIGURE 2. Grounding the Spark Plug Wire

Before setting up your lawn mower, disconnect the spark plug wire from the spark plug, and ground it against the engine. See figure 2.

SECTION 5: TOOLS REQUIRED FOR ASSEMBLY

Pair of Pliers (Not necessary, but helpful.)

SECTION 6: SET-UP INSTRUCTIONS

IMPORTANT. This unit is shipped WITHOUT GASOLINE or OIL. Be certain to service engine with gasoline and oil as instructed in the separate engine manual before operating your mower.

NOTE. Reference to right or left hand side of the mower is observed from the operating position.

HOW TO SET-UP YOUR LAWN MOWER

Refer to Figure 3.

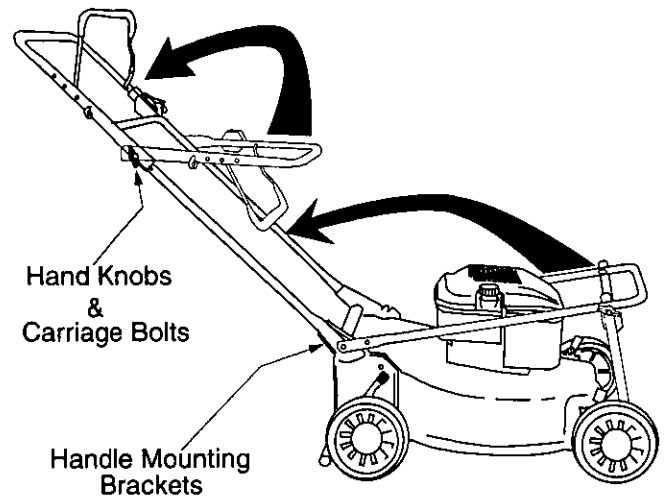


Figure 3.

1. Remove any packing material which may be between the upper and lower handles for shipping purposes.
2. Disconnect spark plug wire from the spark plug and ground it against the engine. On engines with a rubber boot, attach rubber boot to a bolt on the engine to ground. See figure 2.
3. Pull up and back on the upper handle to raise the handle into the operating position. Make certain the lower handle is seated securely into the handle mounting brackets. Tighten the hand knobs on each side of the handle (carriage bolts must be seated properly into the handle). See Figure 3.

NOTE. Your mower is shipped with the handle in the higher height position. If you wish to lower the height of the handle, refer to the, Handle Height Adjustment Section in Section 8.

4. Remove the hairpin clips from the outer holes in the weld pins on the handle mounting brackets. Using a pair of pliers, squeeze one leg of the lower handle against the handle mounting bracket. Insert the hairpin clip into the inner hole on the weld pin.
5. Repeat on other side. See figure 4

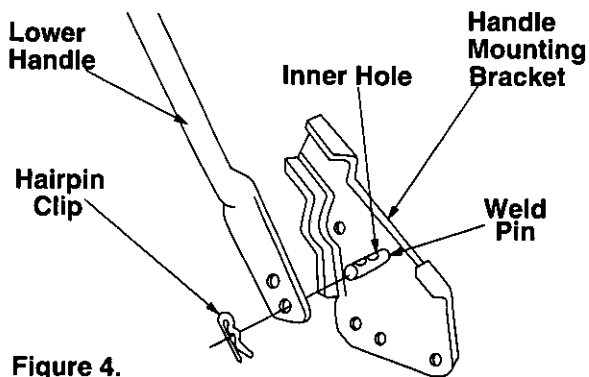


Figure 4.

6. The rope guide is attached to the right side of upper handle. Loosen the wing nut which secures the rope guide. See figure 5.
7. With the spark plug wire **disconnected** and

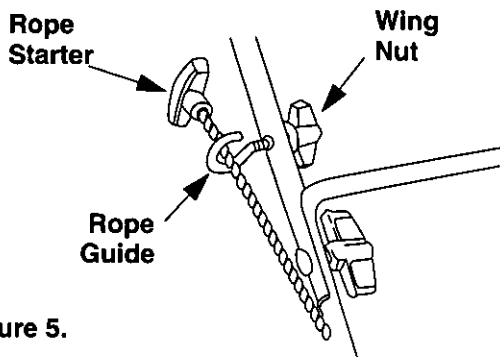


Figure 5.

grounded, hold the blade control handle against the upper handle, and pull the starter rope out of the engine. Release the blade control handle. Slip the starter rope into the rope guide. Tighten the wing nut. See figure 5.

8. Make certain all nuts and bolts are tightened securely.

NOTE. Your mower has been shipped as a mulcher. To discharge grass to the side, proceed to the following step. To collect grass clippings in grass catcher see step 10.

9. To convert your mower from a mulcher to a side discharge mower, lift the hinged mulching plug. Slide the two hooks on the side discharge deflector under the hinge pin on the mulching plug assembly. Lower the mulching plug. See figure 6

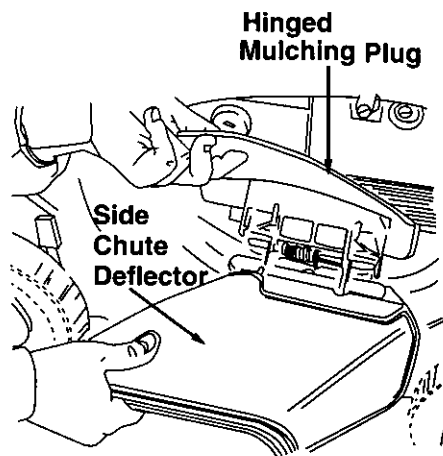


Figure 6.

10. To convert your mower from a mulcher to a rear bagger, remove side chute deflector and lower hinged mulching plug.
11. Lift the chute door on the mower. Remove the mulching plug. Place hooks on the grass catcher frame over the chute door pivot rod on the back of the unit. See figure 7. Release the chute door.
12. To remove the grass catcher, lift the chute door on the mower. Lift the grass catcher up, and off of the pivot rod. Release the door.

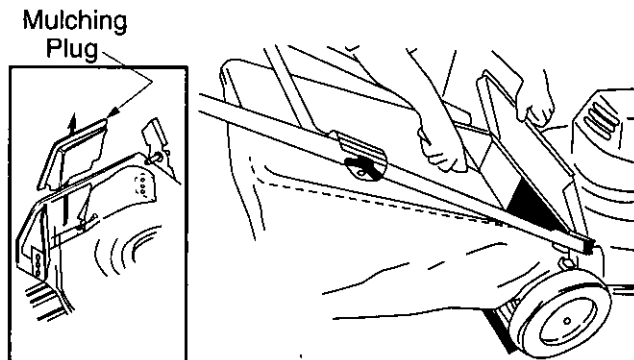


Figure 7.

SECTION 7: CONTROLS

BLADE CONTROL HANDLE



WARNING: This control mechanism is a safety device. Never attempt to bypass its operations

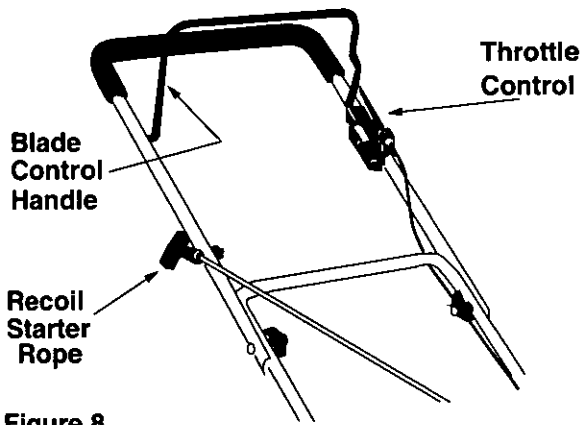


Figure 8.

The blade control handle is located on the upper handle of the mower. See figure 8. The blade control handle must be depressed in order to operate the unit. Release the blade control handle to stop the engine and blade.



WARNING: The blade will be rotating whenever the engine is running.

THROTTLE CONTROL

The throttle control is located on the left side of the upper handle. It is used to regulate the engine speed.



WARNING: The throttle control cannot be used to stop the engine.

RECOIL STARTER

The recoil starter handle is attached to the handle. See figure 8. Stand behind the unit in the operating position to start the unit.

SECTION 8: OPERATION



WARNING: Keep hands and feet away from the chute area on cutting deck. See figure 1 on page 4.

The operation of any lawn mower can result in foreign objects being thrown into the eyes, which can result in severe eye damage. Always wear safety glasses or eye shields.

NOTE: For best results raise the cutting position until it is determined which height is best for your lawn. See Cutting Height Adjustment section.

GAS AND OIL FILL-UP

Service the engine with gasoline and oil as instructed in the separate engine manual. Read instructions carefully.



WARNING: Never fill fuel tank indoors, with engine running or until the engine has been allowed to cool for at least two minutes after running.

TO START ENGINE AND ENGAGE BLADE

1. Move the throttle control lever to all the way forward.
2. Prime engine as instructed in the engine manual.
3. Standing behind the unit, depress the blade control handle and hold it against the upper handle.
4. Grasp starter handle and pull rope out slowly until engine reaches start of compression cycle (rope will pull slightly harder at this point). Let the rope rewind slowly.
5. Pull rope with a rapid, continuous, full arm stroke. Keep a firm grip on starter handle. Return it slowly to the rope guide.
6. After engine starts, move throttle control to FAST or desired engine speed. (Mower is designed to be operated at full throttle.)

NOTE: If any problems are encountered, refer to the Trouble Shooting Guide for helpful information.

TO STOP ENGINE AND BLADE

- Release the blade control handle to stop the engine and blade.



WARNING: The blade continues to rotate for a few seconds after the engine is shut off.

- Disconnect the spark plug wire and ground it against the engine to prevent accidental starting while equipment is unattended.

USING YOUR ROTARY MOWER

Be sure that lawn is clear of stones, sticks, wire, or other objects which could damage lawn mower or engine. Such objects could be accidentally thrown by the mower in any direction and cause serious personal injury to the operator and others.

For the best results, do not cut wet grass because it tends to stick to the underside of the mower, preventing proper discharge of grass clippings, and could cause you to slip and fall. New grass, thick grass or wet grass may require a narrower cut. Speed of the mower should be adjusted to the condition of the lawn.

When using the side discharge mower, the best mowing pattern is one that allows the clippings to discharge towards the uncut part of the lawn. This permits recutting of the clippings to further pulverize them. When cutting high weeds, discharge towards cut portion, then recut at right angles to first direction.

For a healthier lawn, always cut off one-third or less of the total length of the grass. Lawn should be cut in the fall as long as there is growth.

This mower is designed to be operated at full throttle to give you the best cut and do the most effective job of mowing.



WARNING: If you strike a foreign object, stop the engine. Remove wire from spark plug, thoroughly inspect the mower for any damage, and repair the damage before restarting and operating the mower. Extensive vibration of the mower during operation is an indication of damage. The unit should be promptly inspected and repaired.

SECTION 9: ADJUSTMENTS



WARNING: Do not at any time make any adjustment to lawn mower without first stopping engine and disconnecting spark plug wire.

CUTTING HEIGHT ADJUSTMENT

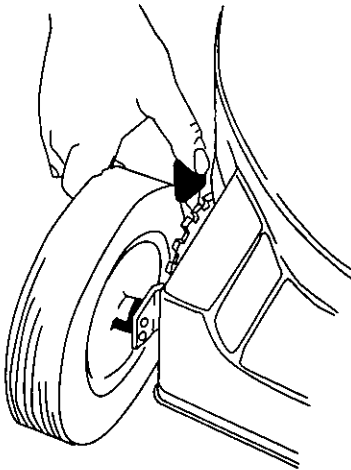


Figure 9.

An adjusting plate and thumb lever at each wheel position provides cutting height adjustment. Each adjusting plate has nine height positions. Height of cut will be changed when the thumb lever is moved from one hole to another. Simply depress the lever towards wheel and move wheel and lever assembly to desired

position. All wheels must be placed in the same relative position. See figure 9

For rough or uneven lawns, move the height adjustment handles to positions which will give a higher cutting height. Both front and rear handles must be placed in the same relative position.

HANDLE HEIGHT ADJUSTMENT

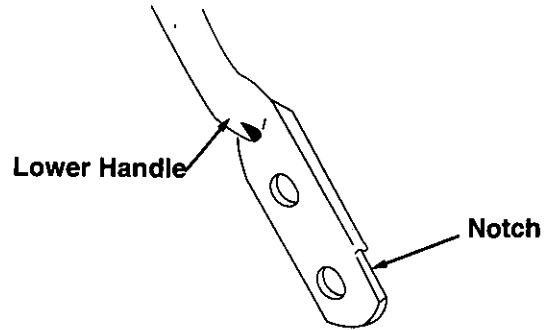


Figure 10.

Your mower is shipped with the handle in the higher height position. To lower the handle height, proceed as follows.

1. Remove the starter rope from the rope guide.
2. Remove the upper handle by removing the hand knobs and carriage bolts. Lay the upper handle out of the way, being careful not to bend or kink the cables.
3. Remove the hairpin clips from the weld pins on the handle brackets. Press outward on the legs of the lower handle for self-propelled models. For push models, press inward on the legs of the lower handle. Remove lower handle from the mower.
4. Turn the lower handle around so the notch on the bottom of the lower handle is facing forward as shown in figure 10. Reassemble, placing the bottom holes in the handle over the weld pins in the handle mounting bracket.
5. Reassemble the upper handle.
6. Place the hairpin clips in the inner holes in the weld pins and attach the starter rope as instructed in the Set-Up Instructions.

THROTTLE CONTROL ADJUSTMENT

If the throttle control requires adjustment or if it has been replaced, adjust the throttle control as follows.

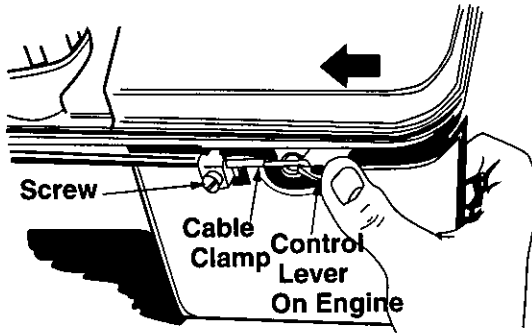


Figure 11.

1. Remove the screw shown in figure 11. Remove the cable clamp from the cable.
2. Push the throttle control lever on the handle all the way forward as far as it will go, then back it off **one "click"**. Make certain the throttle control lever remains in this position.
3. Push the control lever on the engine as far **toward the rear** of the engine as it will go. Secure the cable in this position with the cable clamp and screw.

SECTION 10: LUBRICATION



WARNING: Always stop engine and disconnect spark plug wire before cleaning, lubricating or doing any kind of work on lawn mower.

Blade Control

Lubricate the pivot points on the blade control handle and the brake cable at least once a season with light oil. See figure 12. The blade control must operate freely in both directions.

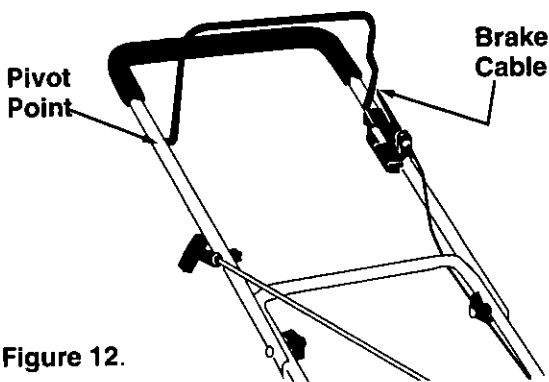


Figure 12.

Wheels

Lubricate the wheel bearings (if so equipped) at least

once a season with light oil (or engine oil). Also, if the wheels are removed for any reason, lubricate the surface of the axle bolt and the inner surface of the wheel with light oil.

Engine

Follow engine manual for lubrication instructions.

SECTION 11: MAINTENANCE



WARNING: Be sure to disconnect and ground the spark plug wire before performing any repairs or maintenance.

NOTE: When tipping the unit, empty the fuel tank and keep engine spark plug side up.

TROUBLE SHOOTING

Refer to TROUBLE SHOOTING SECTION of this manual for helpful information.

CUTTING BLADE

When removing the cutting blade for sharpening or replacement, protect hands by using heavy gloves or a rag to grasp the cutting blade. Remove the bolt and blade support or bell washer which hold the blade and adapter to the engine crankshaft. Remove the blade and adapter from the crankshaft.

Blade Type A

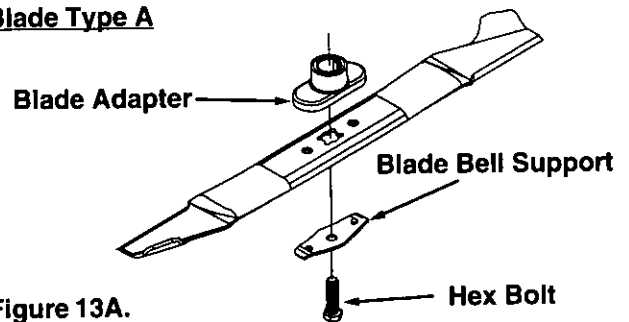


Figure 13A.

Blade Type B

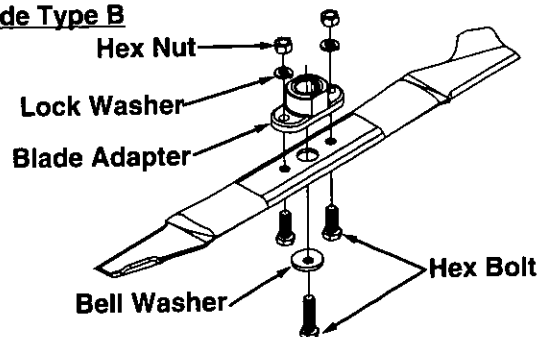


Figure 13B.

There are two blade adapter systems used on rotary mowers. Please identify which one is on your lawn mower. The easiest way to do this is to match the

exploded view in Figure 13 with your blade.

- Blade type A will have one bolt holding it in place.
- Blade type B will have three bolts holding it in place.
- When removing the cutting blade for sharpening or replacement, protect hands by using heavy gloves or a rag before grabbing the blade.

To remove blade type A:

- Remove the bolt and blade bell support which hold the blade and adapter to the engine crankshaft. Remove the blade and adapter from the crankshaft.

To remove blade type B:

1. Remove the center hex bolt and slide blade from crank shaft.
2. Remove left and right hex bolts to take off adapter.



WARNING: Periodically inspect the blade adapter for cracks, especially if you strike a foreign object. Replace when necessary.

When sharpening the blade, follow the original angle of grind as a guide. It is extremely important that each cutting edge receives an equal amount of grinding to prevent an unbalanced blade. An unbalanced blade will cause excessive vibration when rotating at high speeds, may cause damage to the mower and could break, causing personal injury.

The blade can be tested by balancing it on a round shaft screwdriver. Remove metal from the heavy side until it balances evenly. It is recommended that the blade always be removed from the adapter for the best test of balance.

Before reinstalling the blade and the blade adapter to the unit, lubricate the engine crankshaft and the inner surface of the blade adapter with light oil (or engine oil). Lubricating the bolt holes, bolts and inner surface of the nuts is also recommended.

When reinstalling blade type A:

1. Be sure to install the blade with the side of the blade marked "Bottom" (or with part number) facing the ground when the mower is in the operating position.
2. Be certain the blade is aligned with and seated onto the blade adapter flanges.
3. Place blade bell support on blade. Make sure the notches on the blade bell support are aligned with the small hole in the blade.
4. Replace hex bolt.
5. Tighten to torque: 450 in. lbs. min., 600 in. lbs. max.

When reinstalling blade type B:

1. Assemble the blade adapter to the blade. See Figure 13B for proper order of hardware.
2. Be sure the side of the blade marked "Bottom" (or with part number) is facing down.
3. Tighten blade adapter bolts: Blade adapter bolt torque: 200 in. lbs. min., 350 in. lbs. max.
4. Slide Blade and adapter assembly onto engine shaft.
5. Replace center bolt.
6. Tighten to torque: 450 in. lbs. min., 600 in. lbs. max.

To ensure safe operation of your unit, all nuts and bolts must be checked periodically for correct torque.

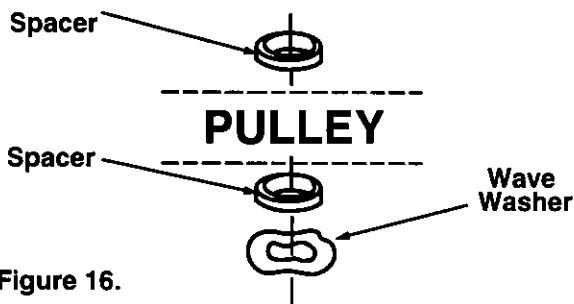


Figure 16.



WARNING: Periodically inspect the blade adapter for cracks, especially if you strike a foreign object. Replace when necessary.

DECK

- The underside of the mower deck should be cleaned after each use to prevent a buildup of grass clippings, leaves, dirt or other matter. If this debris is allowed to accumulate, it will invite rust and corrosion, and may prevent proper mulching.
- The deck may be cleaned by tilting the mower and scraping clean with a suitable tool (make certain the spark plug wire is disconnected).

ENGINE

1. Refer to the separate engine manual for all engine maintenance instructions.
2. Maintain ENGINE OIL as instructed in the separate engine manual packed with your unit. Read and follow instructions carefully.
3. Service AIR CLEANER every 25 hours under normal conditions. Clean every few hours under extremely dusty conditions. Poor engine

performance and flooding usually indicates that the air cleaner should be serviced. To service the air cleaner, refer to the separate engine manual packed with your unit.

4. The SPARK PLUG should be cleaned and the gap reset once a season. Spark plug replacement is recommended at the start of each mowing season; check engine manual for

correct plug type and gap specifications.

5. CLEAN THE ENGINE regularly with a cloth or brush. Keep the cooling system (blower housing area) cleaned to permit proper air circulation which is essential to engine performance and life. Be certain to remove all grass, dirt and combustible debris from muffler area.

SECTION 12: OFF-SEASON STORAGE

The following steps should be taken to prepare lawn mower for storage.

1. Clean and lubricate mower thoroughly as described in the lubrication instructions.
2. Refer to engine manual for correct engine storage instructions.
3. Coat mower's cutting blade with chassis grease to prevent rusting.
4. Store mower in a dry, clean area. Do not store next to corrosive materials, such as fertilizer.

NOTE: When storing any type of power equipment in an unventilated or metal storage shed, care should be taken to rust-proof the equipment. Using a light oil or silicone, coat the equipment, especially cables and all moving parts.

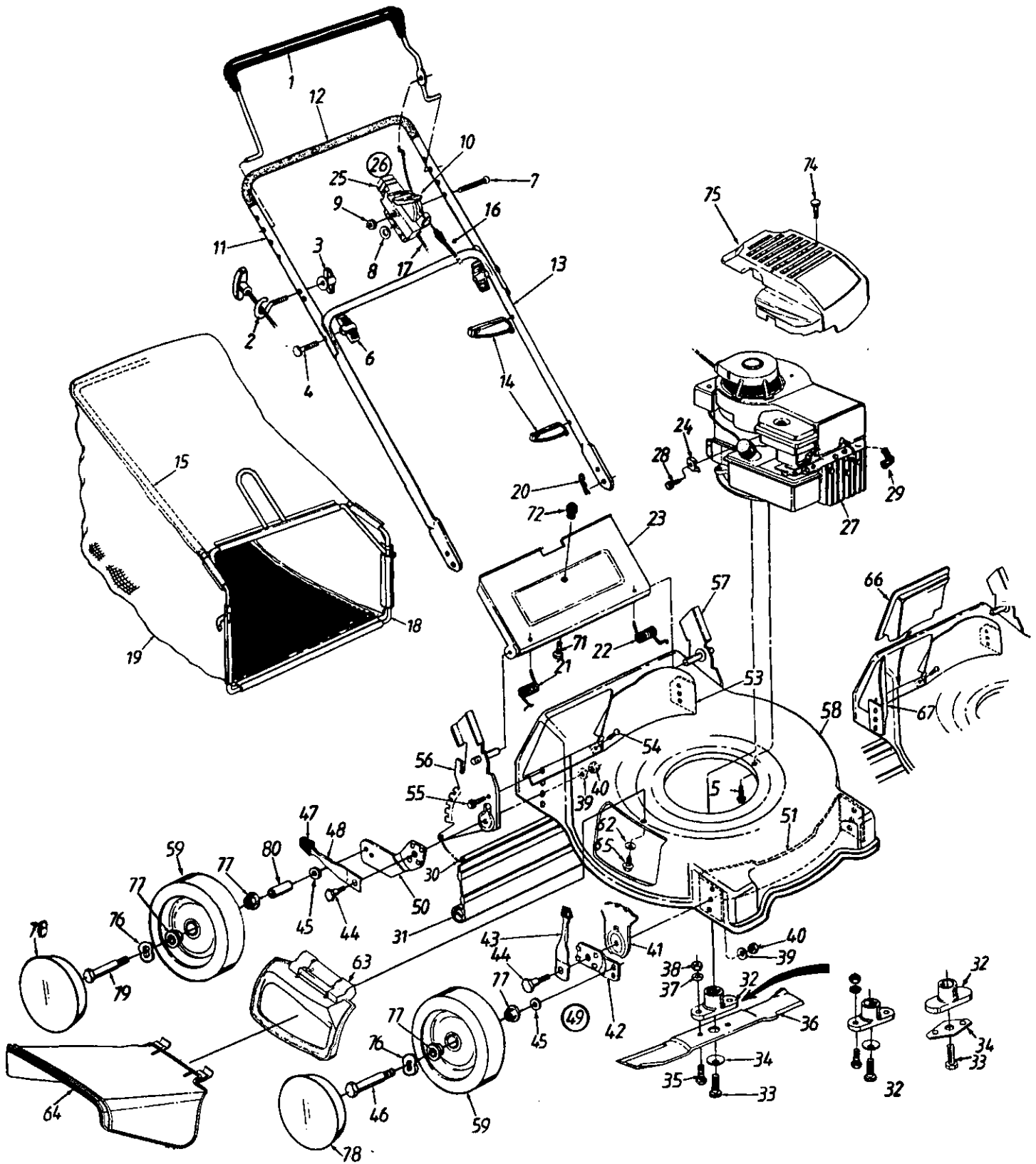
Refer to separate engine manual packed with your mower.

Note: For repairs beyond the minor adjustments listed above, contact your authorized service dealer.

SECTION 13: TROUBLE SHOOTING GUIDE

Trouble	Possible Cause(s)	Corrective Action
Engine fails to start	<ul style="list-style-type: none"> A. Blade control handle disengaged. B. Spark plug wire disconnected. C. Throttle control lever not in correct position. D. Fuel tank empty, or stale fuel. E. Blocked fuel line. F. Faulty spark plug. G. Engine flooded. 	<ul style="list-style-type: none"> A. Engage blade control handle. B. Connect wire to spark plug. C. Move throttle lever to FAST or START position. D. Fill tank with clean, fresh gasoline. E. Clean fuel line. F. Clean, adjust gap or replace. G. Crank engine with throttle in FAST position.
Engine runs erratic	<ul style="list-style-type: none"> A. Unit running in START position. B. Spark plug wire loose. C. Blocked fuel line or stale fuel. D. Vent in gas cap plugged. E. Water or dirt in fuel system. F. Dirty air cleaner. G. Carburetor out of adjustment. 	<ul style="list-style-type: none"> A. Move throttle lever to FAST position. B. Connect and tighten spark plug wire. C. Clean fuel line; fill tank with clean, fresh gasoline. D. Clear vent. E. Drain fuel tank. Refill with fresh fuel. F. Clean air cleaner. G. Adjust carburetor.
Engine overheats	<ul style="list-style-type: none"> A. Engine oil level low. B. Air flow restricted. C. Carburetor not adjusted properly. 	<ul style="list-style-type: none"> A. Fill crankcase with proper oil. B. Remove blower housing and clean. C. Adjust carburetor.
Occasional skip (hesitates) at high speed	<ul style="list-style-type: none"> A. Spark plug gap too close. 	<ul style="list-style-type: none"> A. Adjust gap to .030".
Idles poorly	<ul style="list-style-type: none"> A. Spark plug fouled, faulty or gap too wide. B. Carburetor improperly adjusted. C. Dirty air cleaner. 	<ul style="list-style-type: none"> A. Reset gap to .030" or replace spark plug. B. Adjust carburetor. C. Clean air cleaner.
Excessive vibration	<ul style="list-style-type: none"> A. Cutting blade loose or unbalanced. B. Bent cutting blade. 	<ul style="list-style-type: none"> A. Tighten blade and adapter. Balance blade. B. Replace blade.
Mower will not mulch grass	<ul style="list-style-type: none"> A. Engine speed too low. B. Wet grass. C. Excessively high grass. D. Dull blade. 	<ul style="list-style-type: none"> A. Set throttle between 3/4 and full throttle. B. Do not mow when grass is wet; wait until later to cut. C. Mow once at a high cutting height, then mow again at desired height or make a narrower cutting swath (1/2 width). D. Sharpen or replace blade.
Uneven cut	<ul style="list-style-type: none"> A. Wheels not positioned correctly. B. Dull blade. 	<ul style="list-style-type: none"> A. Place all four wheels in same height position. B. Sharpen or replace blade.

Model 436F



Model 436F

PARTS LIST FOR MODEL 436F ROTARY MOWER

REF. NO.	PART NO.	CODE	DESCRIPTION	REF. NO.	PART NO.	CODE	DESCRIPTION
1	647-0004		Control Handle Ass'y.	40	712-0798		Hex Nut 3/8-16 Thd.*
2	710-1205		Rope Guide	41	15261A		Height Adj. Plate
3	720-0279		Handle Knob 1/4-20 Thd.	42	15262B		Pivot Bar
4	710-1174		Curved Hd. Bolt 5/16-18 x 2" Lg.	43	14832		Spring Lever Ass'y. w/Knob
6	720-0276		Hand Knob	44	738-0507B		Shld. Bolt .5" Dia. x .357"
7	710-0605		Oval C-Sunk Mach. Scr.	45	736-0105		Bell-Wash. .38" I.D. x .88" O.D.
8	736-0501		Spr. Wash. .66" I.D.	46	738-0102		Front Axle Bolt
9	712-0324		Hex L-Nut 1/4-20 Thd.	47	720-0190		Spring Lever Knob
10	746-0876		Throttle Lever	48	732-0417A		Spring Lever
11	749-0538C		Upper Handle	49	14578		Height Adj. Ass'y. Comp.—R.H.
12	720-0226		Foam Grip		14579		Height Adj. Ass'y. Comp.—L.H. (Not Shown)
13	749-0928		Lower Handle	50	14765		Pivot Bar
14	726-0240		Cable Tie	51	782-5002		Front Baffle
15	764-0310		Rear Catcher Frame	52	710-0654A		Hex L-Wash. Hd. Scr. 3/8-16 x 1" Lg.
16	746-0553		Control Cable—36"				Rear Baffle
17	746-0843		Throttle Control Wire—55"	53	782-5003		Torx Mach. AB-Tap Scr. 1/4 x .62" Lg.
18	764-0311		Front Catcher Frame	54	710-1017		Hex L-Wash. Hd. AB-Tap Scr. 1/4 x .62" Lg.
19	764-0476A		Grass Bag				Handle Brkt. Ass'y.—R.H.
20	714-0104		Int. Cotter Pin 5/16" Dia.	55	710-0892		Handle Brkt. Ass'y.—L.H.
21	732-0678		Door Spring—R.H.				21" R.D. w/S.D. Feature
22	732-0677		Door Spring—L.H.	56	682-0516		Wheel Ass'y. Comp.
23	782-7000		Rear Discharge Door	57	682-0515		Bell-Washer 1/4" I.D.
24	751B213146		Cable Clamp	58	782-0047		Hinged Mulching Plug
25	646-0875		Throttle Body	59	734-1819		Chute Deflector
26	811-00185		Throttle Box Comp. (Incl. Ref. 7, 8, 9, 10, 25)	62	736-0270		Hex Head Self-Tap Scr. 1/4-20 x .5" Lg.
27	—		Engine	63	682-7000		Mulching Baffle Plug
28	710-1237		Hex Wash. Hd. Scr. #10-32 x .62" Lg.	64	731-1409		Mulching Baffle—R.R.
29	735-0639		Spark Plug Boot (Optional)	65	710-0599		Deflector (Optional)
30	732-0700		Wire Rod	66	782-5007		Rod (Optional)
31	731-1236		Rear Flap	67	782-5004		Push Speed Nut (Optional)
32	753-0588	N	Blade Adapter Kit†	68	731-1405		Truss Scr. #10-24 x .38" Lg. Knob
	753-0484		Blade Adapter Kit ††	69	711-0996		Hi-Lo Scr. #10 x 1.25" Lg.
33	710-1044		Hex Bolt 3/8-24 x 1.5" Lg.	70	726-0201		XTL Grey Shroud
34	736-0524A		Blade Bell Support†	71	710-0192		Wave Washer
	736-0452		Bell-Wash. .39" I.D.††	72	720-0275		Ball Bearings (2 Req'd.)
35	710-1055		Hex Bolt 3/8-24 x 1" Lg.††	74	710-1256		Hub Cap
36	742-0741		21" Mulching Blade†	75	751B281451		Rear Axle Bolt
	742-0721		21" Mulching Blade††	76	736-0504		Spacer
37	736-0169		L-Wash. 3/8" I.D.*	77	741-0180		
38	712-0241		Hex Nut 3/8-24 Thd.	78	731-0981A		
39	736-0356		Bell-Wash. .39" I.D. x 1.38"	79	738-0213		
				80	750-0535		

† Blade secured by 1 bolt.

†† Blade secured by 3 bolts.

* For faster service obtain standard nuts, bolts and washers locally.
If these items cannot be obtained locally, order by part number and
size as shown on parts list.

NOTE: Specifications subject to change without notice
or obligation.

MANUFACTURER'S LIMITED WARRANTY FOR:



For TWO YEARS from the date of retail purchase within the United States of America, its possessions and territories, MTD Products at its option, repair or replace, for the original purchaser, free of charge, any part or parts found to be defective in material or workmanship. This warranty covers units which have been operated and maintained in accordance with the owner's instructions furnished with the unit, and which have not been subject to misuse, abuse, neglect, accident, improper maintenance or alteration.

NORMAL WEAR PARTS or components there of are subject to separate terms as noted below in the "No Fault Ninety Day Consumer Warranty" clause. Commercial use is subject to the terms listed above, and is covered for a period of 90 days from the date of purchase.

TWO YEAR CONSUMER WARRANTY ON NORMAL WEAR PARTS WITH NINETY DAY NO FAULT PROTECTION; All normal wear part failures will be covered on this product for a period of 90 days regardless of cause. After 90 days, but within the two year period, normal wear parts failures will be covered if caused by defects in material or workmanship. Normal wear parts are defined as belts, blades, blade adapters, grass bags, rider deck wheels, seats, snow thrower skid shoes, shave plates and tires.

HOW TO OBTAIN SERVICE: Warranty service is available, with proof of purchase, through your local authorized service dealer. To locate the dealer in your area, please check the yellow pages or contact the Customer Service Department of MTD Products, PO Box 361131, Cleveland, Ohio 44136-0019, Phone (330) 225-8883. The return of a complete unit will not be accepted by the factory unless prior written permission has been extended by the Service Department of MTD Products.

TRANSPORTATION CHARGES: Transportation charges for the movement of any power equipment unit or attachment are the responsibility of the purchaser. Transportation charges for any parts submitted for replacement under this warranty must be paid by the purchaser unless such return is requested by MTD Products.

UNITS EXPORTED OUT OF THE UNITED STATES: MTD Products does not extend any warranty for products sold or exported outside of the United States of America, its possessions and territories, except those sold through MTD Products' authorized channels of export distribution.

OTHER WARRANTIES:

1. The engine or component parts thereof carry separate warranties from their manufacturers. Please refer to the applicable manufacturer's warranty on these items.
2. Batteries are covered by a 90-day replacement warranty.
3. Log splitter pumps, valves and cylinders or component parts thereof are covered by a one year warranty.
4. All other warranties, express or implied, including any implied warranty of merchantability or fitness for a particular purpose, are hereby expressly disclaimed in their entirety.
5. The provisions as set forth in this warranty provide the sole and exclusive remedy of MTD Products obligations arising from the sales of its products. MTD Products will not be liable for incidental or consequential loss or damage.

HOW STATE LAW RELATES TO THIS WARRANTY:

This limited warranty gives you specific legal rights, and you may also have other rights which vary from state to state. Certain disclaimers are not allowed in some states and therefore they may not apply to you under all circumstances.

NOTE: This warranty does not cover set-up, routine maintenance items such as lubricants, filters, blade sharpening and tune-ups, or adjustments such as brake adjustments. Nor does this warranty cover normal deterioration of the exterior finish due to use or exposure



**FOR THE DEALER NEAREST YOU
CALL
1-800-9-4-WHITE.**

The only way to ensure the performance of your product is to use original equipment your product is to use original equipment your product is to use original equipment parts and accessories. MTD Products parts and accessories. MTD Products designs and engineers quality parts to exacting specifications. When you substitute, you take a chance on quality, reliability, safety and performance. Use MTD products original equipment parts-See your local White Outdoor dealer!



WARNING: The Engine Exhaust from this product contains chemicals known to the State of California to cause cancer, birth defects or other reproductive harm.