

BURLEY®

Installation Instructions for '09 d'lite™, Encore® and Solo™ (Euro) Child Trailers

Contents:

- (1) Burley Owner's Instruction and Safety Manual
- (1) Hitch
- (1) Clear light with batteries included
- (1) Red light with batteries included
- (2) Phillip Pan screws
- (2) Brackets for lights
- (1) Wheel guard assembly:
 - (2) wheel guards
 - (4) screws
- (1) 5mm hex key wrench

Tools Required: Phillips screwdriver
 4mm hex wrench
 10mm or open end wrench

NOTE: Consult your Burley Owner's Instruction and Safety Manual for wheel guard and hitch installation instructions.

Roll Bar Installation

1. If handle bar receivers are already installed, loosen and remove handle bar knobs and outer handle bar receivers.
- FIGURE 1**
2. Using wrench, loosen and remove lock nuts and screws from handle bar receivers.
 3. From trailer front, slide roll bar into upper handle bar receivers, with curved front extending above trailer body.
 4. Match holes in roll bar and inner handle bar receivers, re-install screws and tighten lock nuts.
 5. Replace outer handle bar receivers and tighten knobs.

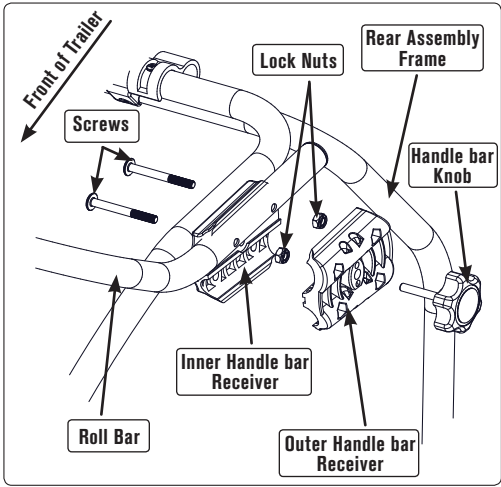


FIGURE 1: Roll Bar Installation

BURLEY®

Installation Instructions for '09 d'lite™, Encore® and Solo™ (Euro) Child Trailers

Contents:

- (1) Burley Owner's Instruction and Safety Manual
- (1) Hitch
- (1) Clear light with batteries included
- (1) Red light with batteries included
- (2) Phillip Pan screws
- (2) Brackets for lights
- (1) Wheel guard assembly:
 - (2) wheel guards
 - (4) screws
- (1) 5mm hex key wrench

Tools Required: Phillips screwdriver
 4mm hex wrench
 10mm or open end wrench

NOTE: Consult your Burley Owner's Instruction and Safety Manual for wheel guard and hitch installation instructions.

Roll Bar Installation

1. If handle bar receivers are already installed, loosen and remove handle bar knobs and outer handle bar receivers.
- FIGURE 1**
2. Using wrench, loosen and remove lock nuts and screws from handle bar receivers.
 3. From trailer front, slide roll bar into upper handle bar receivers, with curved front extending above trailer body.
 4. Match holes in roll bar and inner handle bar receivers, re-install screws and tighten lock nuts.
 5. Replace outer handle bar receivers and tighten knobs.

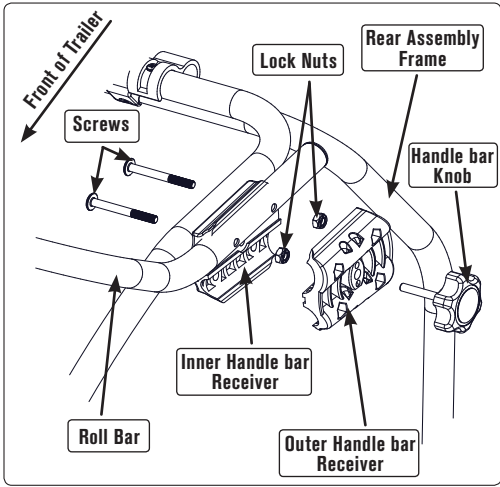


FIGURE 1: Roll Bar Installation

Light Installation

NOTE: Clear light is mounted facing forward, on side closest to traffic. Red light is mounted facing rear, on the side closest to traffic.

NOTE: Make sure on/off light switches are accessible.

1. Remove clips and screws from back of lights.
2. Using screws, fasten brackets and lights together.
3. Mount clear light/bracket diagonally on front of roll bar and red light/bracket on rear of roll bar, both on side closest to traffic. **PHOTO 1**

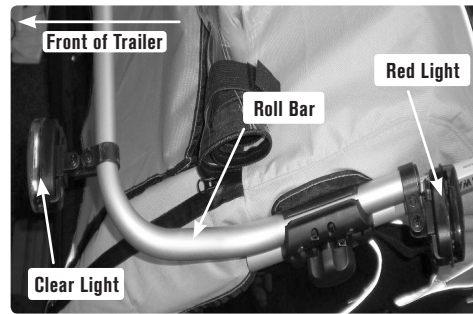


PHOTO 1: Light Installation

Light Installation

NOTE: Clear light is mounted facing forward, on side closest to traffic. Red light is mounted facing rear, on the side closest to traffic.

NOTE: Make sure on/off light switches are accessible.

1. Remove clips and screws from back of lights.
2. Using screws, fasten brackets and lights together.
3. Mount clear light/bracket diagonally on front of roll bar and red light/bracket on rear of roll bar, both on side closest to traffic. **PHOTO 1**

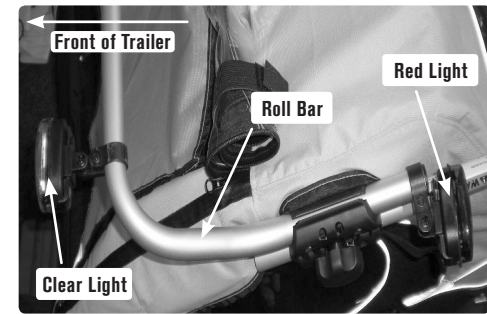


PHOTO 1: Light Installation

Locking Quick Release/ Wheel Installation and Operation

1. With quick release lever in “open” position, insert wheel axle completely into trailer axle receiver.
2. Close quick release lever, with lever aimed towards rear of trailer. **PHOTO 2**
3. Verify that tires are inflated to pressure marked on the tire side wall.
4. To remove wheel from trailer axle, push locking button on side of quick release lever and open lever.

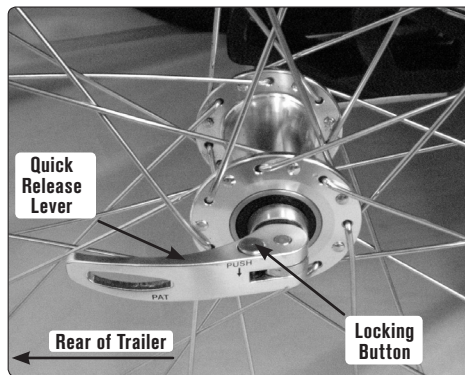


PHOTO 2: Wheel Installation

Locking Quick Release/ Wheel Installation and Operation

1. With quick release lever in “open” position, insert wheel axle completely into trailer axle receiver.
2. Close quick release lever, with lever aimed towards rear of trailer. **PHOTO 2**
3. Verify that tires are inflated to pressure marked on the tire side wall.
4. To remove wheel from trailer axle, push locking button on side of quick release lever and open lever.

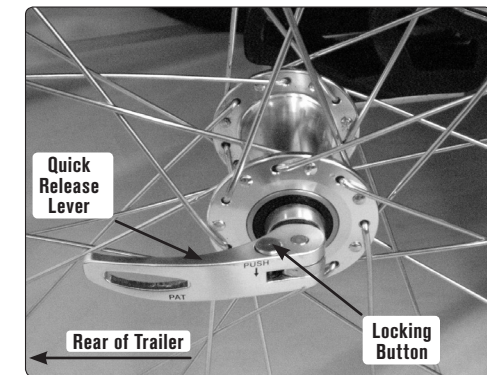


PHOTO 2: Wheel Installation

NOTE: The locking quick release lever securely attaches the wheel to the trailer. If you have difficulty removing the wheel, release pressure on the quick release by pushing the end of lever in toward the trailer before pushing the locking button.

NOTE: The locking quick release lever securely attaches the wheel to the trailer. If you have difficulty removing the wheel, release pressure on the quick release by pushing the end of lever in toward the trailer before pushing the locking button.

! WARNING

MAKE SURE WHEELS ARE HELD SECURELY, WITH WHEEL SHAFT FULLY INSERTED INTO AXLE RECEIVER. YOU SHOULD NOT BE ABLE TO ROCK OR SHIFT WHEELS. IMPROPERLY INSTALLED WHEELS CAN FALL OFF, CAUSING AN ACCIDENT OR SERIOUS INJURY.

! WARNING

MAKE SURE WHEELS ARE HELD SECURELY, WITH WHEEL SHAFT FULLY INSERTED INTO AXLE RECEIVER. YOU SHOULD NOT BE ABLE TO ROCK OR SHIFT WHEELS. IMPROPERLY INSTALLED WHEELS CAN FALL OFF, CAUSING AN ACCIDENT OR SERIOUS INJURY.

BURLEY DESIGN

Copyright © 2008 by Burley Design LLC. "Burley" is a registered trademark of Burley Design LLC • Rev 06/08 • 170056 Euro d'Lite, Encore and Solo Installation Instructions r1
4020 Stewart Rd. Eugene, OR 97402 • PH 541.687.1644 800.423.8445 FAX 541.687.0436 • burley@burley.com • www.burley.com

BURLEY DESIGN

Copyright © 2008 by Burley Design LLC. "Burley" is a registered trademark of Burley Design LLC • Rev 06/08 • 170056 Euro d'Lite, Encore and Solo Installation Instructions r1
4020 Stewart Rd. Eugene, OR 97402 • PH 541.687.1644 800.423.8445 FAX 541.687.0436 • burley@burley.com • www.burley.com