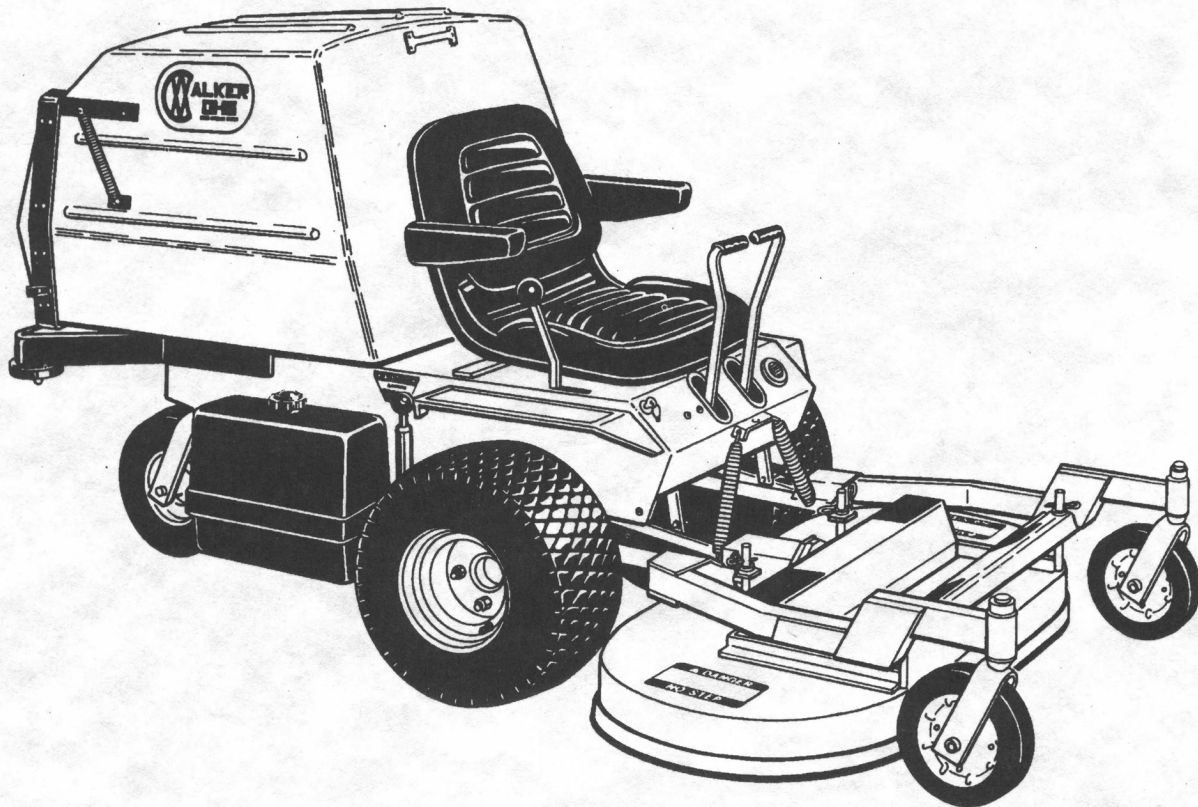


Walker Rider Lawnmowers

MODEL MS36-42 (11-HP)

MODEL MC36-54 (16-HP)

ILLUSTRATED PARTS MANUAL



PARTS LIST NO. 5895-1
EFFECTIVE DATE 12/1/95

UNIQUE PARTS FOR THE MS KAWASAKI

PART NO.	DESCRIPTION
	Oil Filter (Kawasaki 49065-2071)
5087	Air Intake Hose
5088-1	Air Cleaner Band
5090	Air Cleaner
5090-1	Air Cleaner Cartridge
5121	Throttle Control/Cable Assembly
5121-1	Throttle Cable
5122	Choke Control/Cable Assembly
5122-1	Choke Cable
5127	Trash Guard (Protects Engine)
5199	Transmission Spring Assembly
5910	Battery, 12 Volt (Gear Drive)
5912	Battery, 12 Volt (Chain Drive Only)
5943	Wiring Harness Assembly
6941-1	20 Amp Fuse

Refer to the MS/MC parts manual for the other parts

ILLUSTRATED PARTS BREAKDOWN LIST

FIGURE

NO.	SECTION OF MOWER COVERED	PAGE
B1_____	Body Assembly	2
C1_____	Chassis Assembly (Engine Parts)	4
C2_____	Chassis Assembly (Drive Train Parts)	6
C3_____	Special Parts For Model MC	10
C4_____	Chassis Assembly [Gear Axle Drive Parts (Effective 5/30/90)]	12
D1_____	DGHS36 Deck Assembly	14
D2_____	DSD36 Deck Assembly	16
D3_____	DSD42 Deck Assembly	18
D4_____	DGHS42 Deck Assembly	20
D5_____	DSD54 Deck Assembly	22
D6_____	DML42 Deck Assembly	24
E1_____	Wiring Schematic, Model MS [11-hp Briggs & Stratton ('85 - '94)]	26
E2_____	Wiring Schematic, Model MC (16-hp Kohler)	28
E3_____	Wiring Schematic, Model MS [11-hp Kawasaki ('95 and On)]	31
G1_____	GHS Blower and Chute Assembly	32
G2_____	GHS Blower and Chute Assembly [Model MC (Effective '91 & On)]	34
G3_____	GHS 6.7 Bushel Catcher	36
S1_____	SB36 Snowblower Assembly	38

BODY ASSEMBLY PARTS LIST (FIGURE B1)

ITEM NO.	PART NO.	DESCRIPTION	NO. REQ'D	ITEM NO.	PART NO.	DESCRIPTION	NO. REQ'D
1	5100-4	Welded Body Assembly (87 & On)	1	41	5161	Bumper Pad (Fits 5112)*	2
2	5103	Seat	1	42	5989	Light Kit (Optional)	1
3	5112	Rear Bumper*	1	43	5989-1	Light	2
4	5650	Utility Bed*	1	44	5995	Light Switch	1
5	5170-3	FSC Lever Assembly (89 & On C Only)	1	45	5995-1	Two-One Wire Terminal Adapter	1
	5170-2	FSC Lever Assembly (87-89 C, All S)	1	46	5995-2	Water Proof Boot, Light Switch	1
6	5450-2	RH Steering Lever	1	47	5995-3	Power Lead Wire, Lights	1
7	5451-2	LH Steering Lever	1	48	5838	Decal, Gates Belt Usage**	1
8	5145	Gas Spring (Body Lift)	1	49	5800	Walker Mower Decal*	2
	5145-1	Gas Spring Retrofit Kit (85 Model)	0	50	5651	RH Utility Bed Mount	1
9	5146	Ball Stud, Gas Spring	2	51	5652	LH Utility Bed Mount	1
10	5147	Spring Clip, Gas Spring	2	52	5588	Rubber Bumper	3
11	5108	Throttle Control And Cable**	1	53	5885	Folding Armrest Kit (Optional)	1
12	5109	Choke Control And Cable**	1	54	5886-1	RH Armrest	1
13	5832	Cable Clamp, 1/2"	1	55	5886-2	LH Armrest	1
14	5223	Extension Spring, 1/4" X 5-1/2"	2	56	5887	Mounting Bracket, Armrest	1
15	5850	Handle Grip	2	57	5888	Armrest Instl. Hdwe. (Fasteners & Parts)	1
16	5180	Edge Molding, Lever Opening	2				
17	5990	Hourmeter (Optional Standard Model)	1	F002	F002	10-24 Keps Nut	11
18	5863	Panel Plug (2-1/16)**	1	F004	F004	1/4-20 Keps Nut	2
19	5991-1	Hourmeter Power Lead Wire	1	F005	F005	1/4-20 Elastic Stop Nut	2
20	5991-2	Hourmeter Ground Wire	1	F009	F009	5/16-18 Whiz Lock Nut	6
21	5833	Cable Clamp, 1/4" (Hourmeter Instl.)	2	F014	F014	3/8-16 Elastic Stop Nut	4
22	5870	Tee Control Knob (Fits 5108 & 5109)	2	F020	F020	5/16-18 Elastic Stop Nut	2
23	5960	Ignition Switch (Incl. Hardware)	1	F025	F025	10-24 X 3/8 Machine Screw	11
24	5960-2	Ignition Switch Key (Incl. With 5960)	1	F032	F032	1/4-20 X 3/4 Machine Screw	1
25	5960-3	Tip Protector, Ignition Key	1	F033	F033	1/4-20 X 1 Phillips Truss Head Bolt	2
26	5960-4	Ign. Switch Panel Nut (Incl. with 5960)	1	F034	F034	5/16-18 X 3/4 Hex Bolt	8
27	5830	Grease Fitting	1	F040	F040	3/8-16 X 1-1/2 Hex Bolt	2
28	5862	FSC Knob	1	F049	F049	5/16 SAE Washer	1
29	5955	Seat Switch	1	F050	F050	1/4 SAE Washer	2
30	5153-2	Cover Plate (87 & On)*	1	F051	F051	3/8 SAE Washer	2
31	5802-1	RH Fender Decal	1	F059	F059	3/8 Wavey Spring Washer	2
32	5802-2	LH Fender Decal	1	F060	F060	5/16 AN Washer (AN960516)	4
33	5805	Exhaust Caution Decal	1	F083	F083	A/A680 Aluminum Pop Rivet	3
34	5815	Body Lift Decal	1	F084	F084	5/16 Wavey Spring Washer	2
35	5806	Blade Clutch Decal**	1	F087	F087	#10 X 7/8 Washer	2
36	5804	Decal, Blower Blade Warning***	1	F091	F091	5/16-18 X 5/8 Hex Bolt	6
37	5856	Made In USA Decal	1	F104	F104	1/4-20 X 3/4 Phillips Flat Head Bolt	1
38	5803	Walker Mfg Logo Decal	1	F112	F112	5/8 X 1-1/4 X .03 Washer	1
39	5101	Spring Bracket (Retrofit 80-85, Bolt On)	0	F154	F154	5/8 Int Star Lock Washer (Incl. W/ 5960)	1
40	5162	Anti-Skuff Roller (5")	2				

* SD Model Only

** Standard Model (MS) Only, See Figure C3 For Commercial Model (MC) Parts

*** GHS Model Only

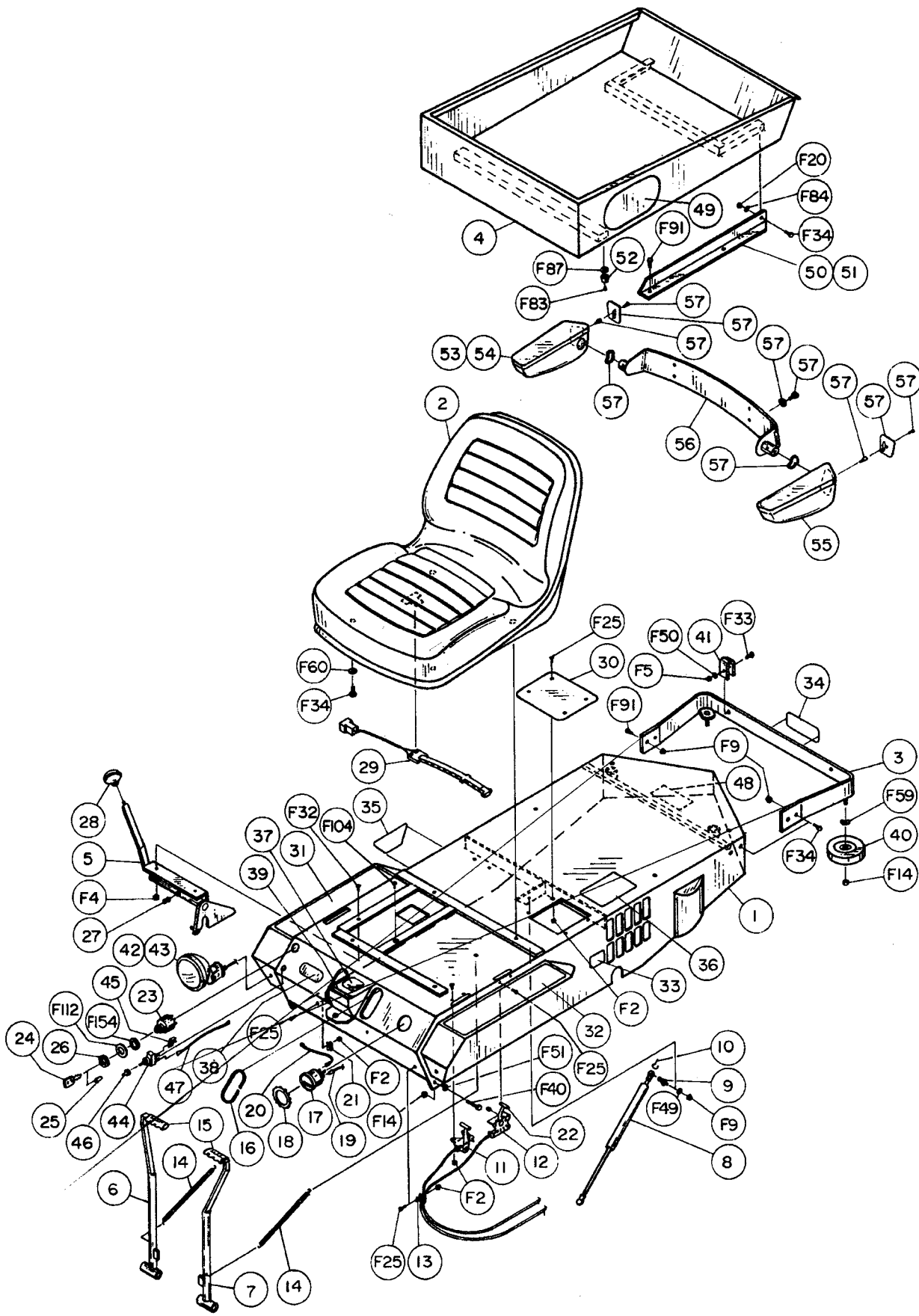
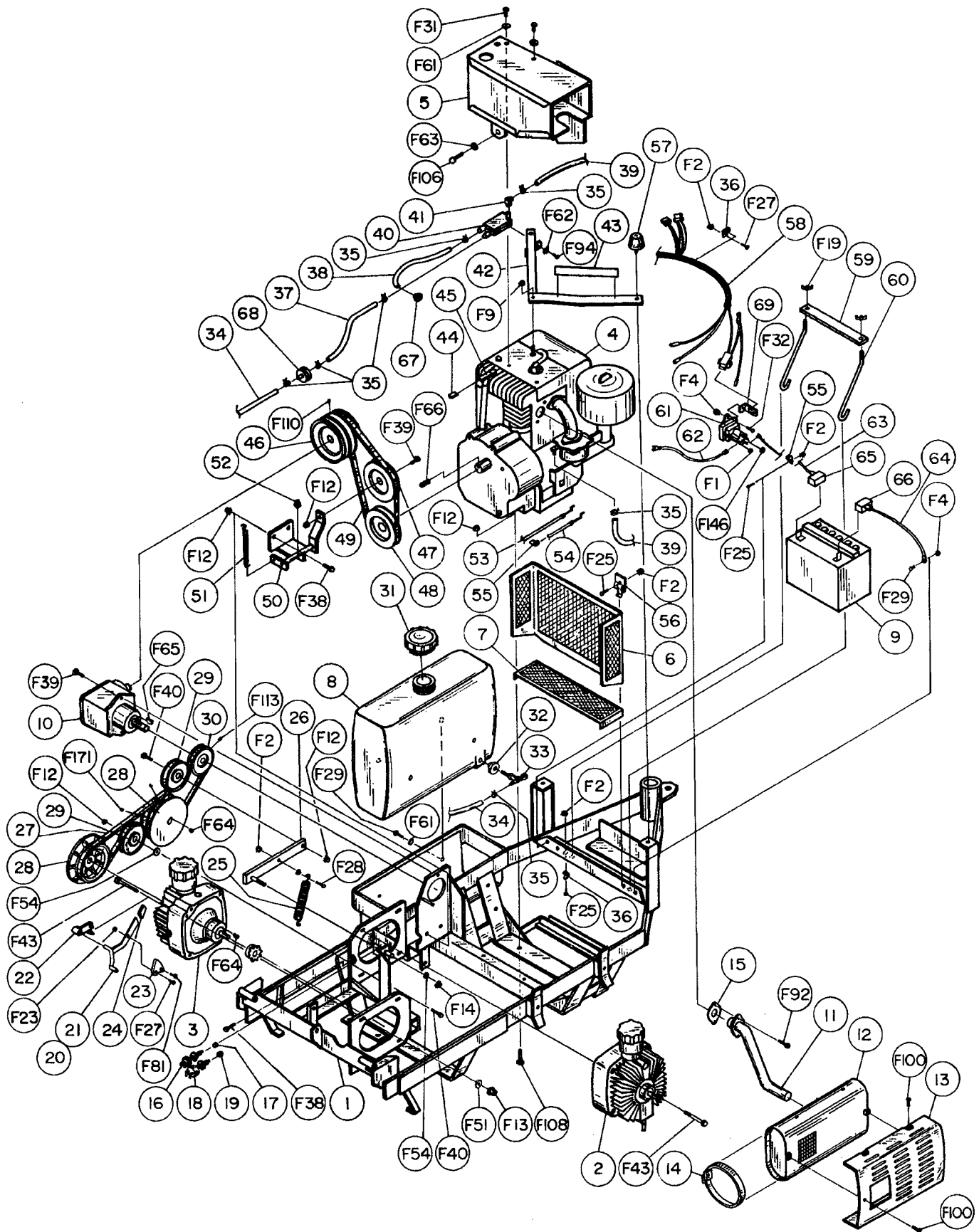


FIGURE B1 - BODY ASSEMBLY

CHASSIS ASSEMBLY PARTS LIST (FIGURE C1)

ITEM NO.	PART NO.	DESCRIPTION	NO. REQ'D	ITEM NO.	PART NO.	DESCRIPTION	NO. REQ'D
1	5300-6	Chassis Frame (87 & On)	1	54	5109	Choke Control (See Figure B1)	1
2	5025	Hydrostatic Drive (RH, CCW, 700-011)	1	55	5833	Cable Clamp, 1/4"	2
3	5026	Hydrostatic Drive (LH, CW, 700-003)	1	56	5822	Engine Screen Latch	2
4	5010	11-HP Engine (B & S I/C 254427)	1	57	5845	Rubber Bumper, Body Support	2
5	5080	Hot Air Duct	1	58	5940-1	Wire Harness Assembly (87 & On)	1
6	5823	Engine Screen Guard	1	59	5844	Battery Hold-Down Bar	1
7	5824	Engine Screen Guard, Lower	1	60	5839	Hook Bolt, Battery Mount	2
8	5046	Fuel Tank (3 Gallon Molded)	1	61	5929	Starter Solenoid	1
9	5910	Battery (12V, Exide GT-9LM)	1	62	5924	Starter Solenoid Cable	1
10	5050	Right Angle Gear Box	1	63	5922	Positive Battery Cable	1
11	5047	Exhaust Pipe Assembly	1	64	5923	Negative Battery Cable	1
12	5013	Muffler	1	65	5933	Battery Terminal Insulator, Red (+)	1
13	5013-1	Muffler Heat Shield (Fits 5013)	1	66	5932	Battery Terminal Insulator, Black (-)	1
14	5897	Muffler Band Clamp	2	67	5977	Grommet, Engine Vacuum Line	1
15	5048	Exhaust Gasket	1	68	5020	Fuel Filter	1
16	5942	Safety Switch (Normal Open, Short Body)	1*	69	5961	Mount Bracket, Fuse Holder	1
17	5942-1	Switch Boot, Fits 5942	1				
18	5941	Safety Switch (Normal Closed, Long Body)	1	F001	F001	10-32 Hex Nut	1
19	5941-1	Switch Boot, Fits 5941	1	F002	F002	10-24 Keps Nut	8
20	5028-3	Complete Trans. Lockout Assm (Incl. Mt.)	2	F004	F004	1/4-20 Keps Nut	3
21	5028	Lockout Lever	2	F009	F009	5/16-18 Whiz Lock Nut	1
22	5027	Lockout Mount	2	F012	F012	3/8-16 Keps Nut	11
23	5057	Lockout Cam	2	F013	F013	3/8-16 Whiz Lock Nut	8
24	5847	Plastic Tip, Lockout Lever	2	F014	F014	3/8-16 Elastic Stop Nut	1
25	5222	Extension Spring, 1/2" X 3-1/4"	1	F019	F019	1/4-20 Elastic Stop Wing Nut	2
26	5290	Belt Tightener Arm (Transmission)	1	F023	F023	10-24 Elastic Stop Nut	2
27	5232	Ground Drive Belt (#6847 or AX45)	1	F025	F025	10-24 X 3/8 Machine Screw	5
28	5242-2	Hydro Pulley & Fan	2	F027	F027	10-24 X 5/8 Machine Screw	3
29	5245	Idler Pulley (3")	2	F028	F028	10-24 X 3/4 Machine Screw	1
30	5236	Transmission Drive Pulley (3")	1	F029	F029	1/4-20 X 1/2 Hex Bolt	3
31	5082	Fuel Tank Cap (Fits 5046)	1	F031	F031	1/4-20 X 5/8 Hex Bolt	2
32	5083-1	Rubber Bushing, Fuel Tank Fitting	1	F032	F032	1/4-20 X 3/4 Hex Bolt	2
33	5083	Fuel Shut-Off Valve & Filter	1	F038	F038	3/8-16 X 1 Hex Bolt	4
34	5086-4	Fuel Line, Tank (1/4 X 8-5/8")	1	F039	F039	3/8-16 X 1-1/4 Hex Bolt	3
35	5879-3	Fuel Line Clamp (1/4")	8	F040	F040	3/8-16 X 1-1/2 Hex Bolt	2
36	5832	Cable Clamp, 1/2"	3	F043	F043	3/8-16 X 3 Hex Bolt	8
37	5086-2	Fuel Line, Pump In (1/4 X 8-5/8")	1	F051	F051	3/8 SAE Washer	8
38	5086-3	Vacuum Line (1/4 X 17")	1	F054	F054	AN960616 Washer	4
39	5086-1	Fuel Line, Carb (1/4 X 35")	1	F061	F061	1/4 Internal Star Lock Washer	4
40	5014	Fuel Pump	1	F062	F062	#8 Internal Star Lock Washer	2
41	5014-2	Fuel Pump Elbow (Fits 5014)	1	F063	F063	3/8 Internal Star Lock Washer	1
42	5345-2	Engine "V" Brace	1	F064	F064	1/8 X 1/2 Woodruff Key	6
43	5855	Engine Cooling System Decal	1	F065	F065	3/16 X 3/4 Woodruff Key	2
44	5854	Plastic Tip, Oil Dipstick	2	F066	F066	1/4 X 1/4 X 7/8 Key	1
45	5081	B & S Engine Oil Dipstick, Mod. Grip	1	F081	F081	A/A45D Aluminum Pop Rivet	2
46	5240-2	Compound Pulley	1	F092	F092	5/16-18 X 3/4 Socket Cap Head Bolt	2
47	5247-2	V-Groove Idler Pulley (4")	1	F094	F094	8-32 X 1/2 Truss Head Machine Screw	2
48	5237	Engine Pulley (B4)	1	F100	F100	#10 X 3/8 Stainless Sheet Metal Screw	6
49	5230-2	Engine Belt (BX30 or #6932)	1	F106	F106	3/8-16 X 5/8 Hex Bolt	1
50	5495	Engine Belt Tightener Assembly	1	F108	F108	3/8-16 X 2 Hex Bolt	4
51	5221	Extension Spring, Transmission (3/4")	1	F110	F110	5/16-18 X 1/2 Set Screw	4
52	5830	Grease Fitting	2	F113	F113	5/16-18 X 5/16 Set Screw	2
53	5108	Throttle Control (See Figure B1)	1	F146	F146	1/4-20 Jam Nut	2
				F171	F171	5/16-18 X 3/8 Set Screw	4

* Two P/N 5942 Used On GHS6.7 Model



**FIGURE C1 - CHASSIS ASSEMBLY
(ENGINE PARTS)**

CHASSIS ASSEMBLY PARTS LIST (FIGURE C2)

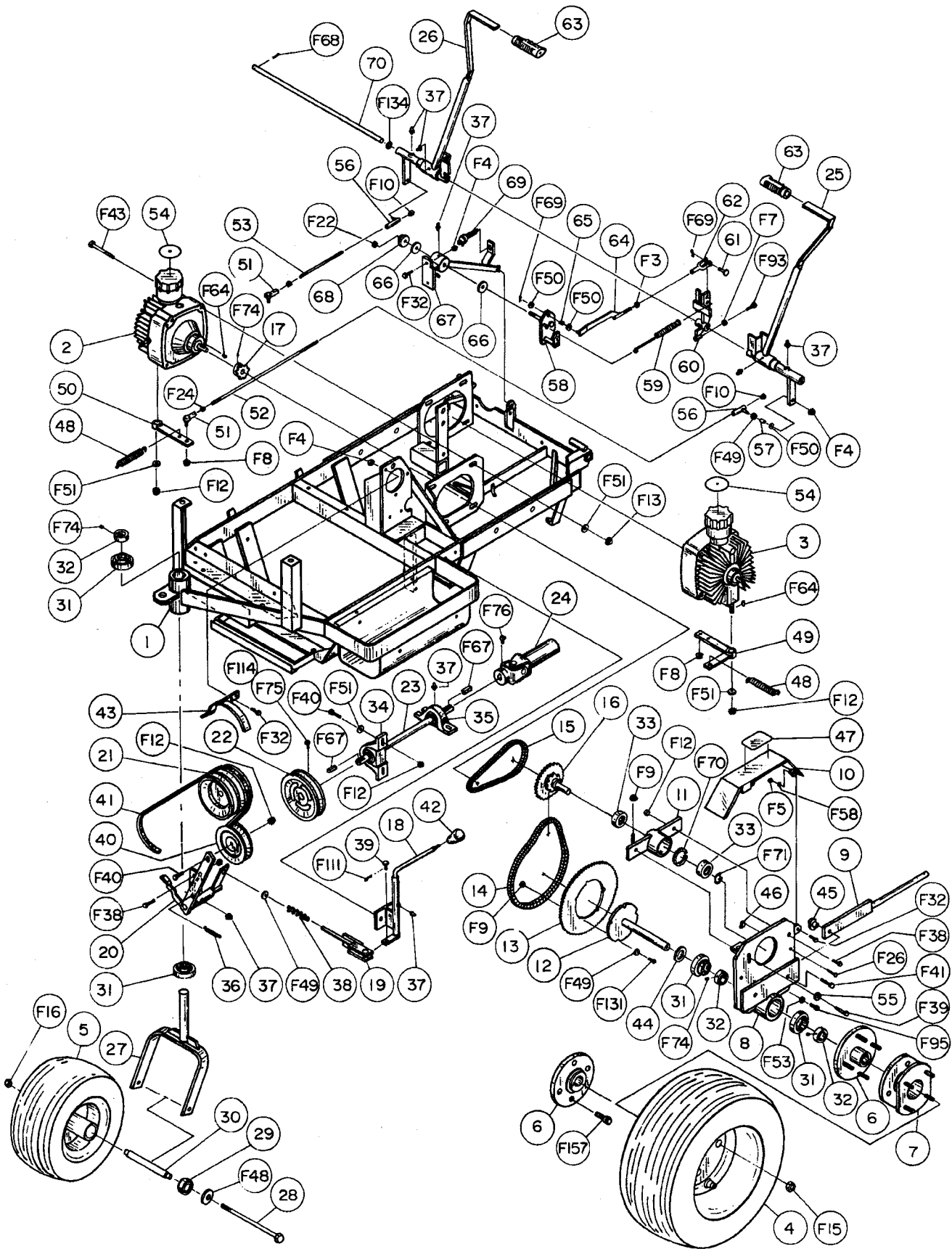
ITEM NO.	PART NO.	DESCRIPTION	NO. REQ'D	ITEM NO.	PART NO.	DESCRIPTION	NO. REQ'D
1	5300-6	Chassis Frame (87 & On)	1	16	5235-2	Reduction Sprocket Assembly (87 & On)	2
2	5025	Hydrostatic Drive (RH, CCW, 700-011)	1	5235	Reduction Sprocket Assembly (80-86)	2	
	5025-2	Seal, Input/Output Shaft, Hydro Trans.	0	17	5233	Transmission Sprocket (41-10T)	2
	5025-3	Seal, Control Shaft, Hydro Transmission	0	18	5410	Clutch Control Assembly	1
	5025-4	Output Shaft, Hydro Transmission	0	19	5406-2	Clutch Actuator Clevis And Stop Assembly	1
	5025-5	Input Shaft, Hydro Transmission	0	20	5346-1	PTO Belt Tightener (M42, 5" Pulley)	1
3	5026	Hydrostatic Drive (LH, CW, 700-003)	1	5346-2	PTO Belt Tightener (M36, 4-1/2" Pulley)	1	
	5023	Transmission Reservoir Kit (Incl. Cap)	0	21	5240-2	Compound Pulley	1
	5024	Reservoir Cap & Gasket	0	22	5238-2	PTO Drive Pulley (M36-42, B5)	1
	5022	Reservoir To Casting Gasket	0	23	5274	PTO Drive Shaft	1
4	5033-2	Wheel & Tire Assembly (18 X 6.50-8)*	2	24	5275	Universal Joint Tube Assembly	1
	5031-2	Wheel Only (6.50-8)*	0	25	5450-2	Steering Lever, RH	1
	5033	Wheel & Tire Assembly (18 X 6.50-8)**	0	26	5451-2	Steering Lever, LH	1
	5031	Wheel Only (6.50-8)**	0	27	5420-2	Tail Wheel Fork	1
	5030-2	Main Tire Only (18 X 6.50-8)	0	28	5207-2	Tail Wheel Axle (Bolt)	1
	5030-3	Tire Tube, 18 X 6.50-8 (Optional)	0	29	5037	Bearing, Tail Wheel	2
	5070-5	Wide Wheel & Tire Assm (18 X 8.50-8)*	2	30	5038	Axle Spacer Tube, Tail Wheel	1
	5070-4	Wide Wheel Only (8.50-8)*	0	31	5270	Bearing, 1-Inch, Locking Collar	6
	5070	Wide Wheel & Tire Assm (18 X 8.50-8)**	0	32	5266-2	Bearing Collar (1-Inch)	5
	5070-3	Wide Wheel Only (8.50-8)**	0	33	5265	Bearing (3/4 Inch)	4
	5070-2	Wide Tire Only (18 X 8.50-8)	0	34	5263	Pillowblock Bearing	1
	5070-1	Wide Tire Retrofit Kit**	0	35	5264	Pillowblock Bearing, Short Mount	1
5	5035	Wheel & Tire Assembly (Tail)	1	36	5229	Extension Spring, 1/2" X 2-1/4"	1
	5036	Tail Wheel & Hub Assembly	0	37	5830	Grease Fitting	9
	5035-1	Tail Wheel Tire Only (13 X 6.50-6)	0	38	5226	Compression Spring	1
6	5032-1	Wheel Hub, 88 & On (Welded To Axle)*	2	39	5281-2	Clevis Pin (5/16 X 7/8")	1
	5032	Wheel Hub, 80-87 (Welded To Axle)**	2	40	5244	PTO Idler Pulley (3-1/2")	1
7	5071	Spacer Hub, Fits 5070, Set Of Two**	1	41	5234-1	SD PTO Belt (#6935 or 832)	1
8	5209-2	Axle Mount Assembly (87 & On)	2	5234-2	GHS PTO Belt (#6944 or 841)	1	
	5209	Axle Mount Assembly (80-86)	2	42	5860	Knob, PTO Clutch	1
	5203	Axle, Wheel Hub, & Mount Assm (88 & On)	2	43	5480-2	Belt Guide, PTO Drive	1
	5202	Axle, Wheel Hub, & Mount Assm (87 Only)	2	44	5842-1	Washer, Axle Spacer (Fits 5202)	2
	5201	Axle, Wheel Hub, & Mount Assm (83-86)	2	45	5840-2	Support Arm Bushing	2
9	5430	Deck Support Arm	2	46	5832	Cable Clamp, 1/2"	4
10	5820-4	Chain Guard (87 & On, Fits 5202)	2	47	5821	Chain Guard Decal	2
	5820-1	Chain Guard, RH (84-86)	1	48	5221	Extension Spring, Transmission (3/4")	2
	5820-2	Chain Guard, LH (84-86)	1	49	5212-2	Transmission Control Arm, LH	1
11	5216-2	Jackshaft Support (87 & On)	2	50	5212	Transmission Control Arm, RH	1
	5216	Jackshaft Support (80-86)	2	51	5214-2	Ball Joint, 5/16-24, Nyl Lined (88 & On)	2
	5216-4	Comp Jackshaft & Sprocket Assm (87 & On)	0	5214	Ball Joint, 5/16-24 (80-87)	4	
	5216-3	Comp Jackshaft & Sprocket Assm (80-86)	0	52	5213-1	Control Rod, RH (15")	1
12	5204	Axle Assm (Incl. Inside Bearing Instl.)	2	53	5213-2	Control Rod, LH (6")	1
13	5208	Sprocket, Final Drive (Demountable)	2	54	5810	Reservoir Decal	2
14	5258	Final Drive Chain, #40 X 59 (87 & On)	2	55	5841	Retainer Washer, Jackshaft Pivot	2
	5260	Final Drive Chain, #420 X 59 (80-86)	2	56	5463	Steering Lever Actuator (88 & On)	2
	5257	Large Final Drive Chain Retrofit Kit***	0	5460	Steering Lever Actuator (80-87)	2	
	5260-3	Chain Connecting Link, CL40	0	57	5214-1	Bearing, Steering Lever Act. (Fits 5463)	2
	5260-1	Chain Connecting Link, CL420	0	58	5142-2	FSC Actuator Cam Assembly	1
15	5259	Reduction Chain, #420 X 37 (87 & On)	2				
	5261	Reduction Chain, #420 X 35 (80-86)	2				

* 88 Model & On, Fits Hub With Lug Bolts (F157), Eliminates Need For 5071 With 8.50-8 Wheels Installed

** 83-87 Models, Fits Hub With Studs And Lug Nuts (F15)

*** Installs #40 Final Drive Chain On Earlier Models (80-86). Two Kits Req'd Per Machine.

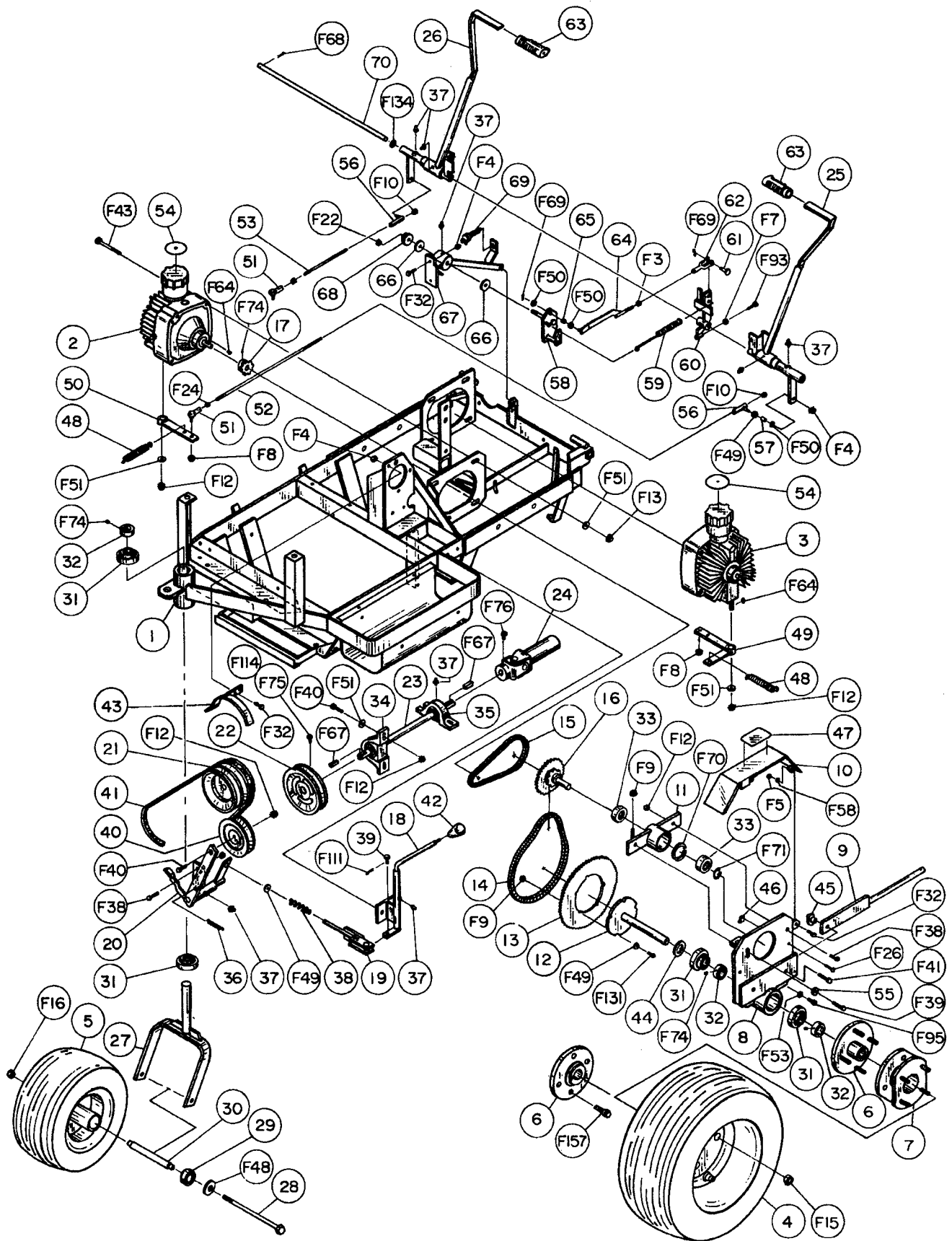
Note: Figure C2 Parts List Continued Next Page (Page 8)



**FIGURE C2 - CHASSIS ASSEMBLY
(DRIVE TRAIN PARTS)**

CHASSIS ASSEMBLY PARTS LIST (FIGURE C2 CONTINUED)

ITEM NO.	PART NO.	DESCRIPTION	NO. REQ'D	ITEM NO.	PART NO.	DESCRIPTION	NO. REQ'D
59	5219	FSC Extension Spring	1	F002	F002	10-24 Keps Nut	4
60	5470-1	Speed Control Stop	1	F003	F003	1/4-28 Hex Nut	1
61	5281-0	Clevis Pin (1/4 X 3/4")	1	F004	F004	1/4-20 Keps Nut	5
62	5280	1/4" Clevis	1	F005	F005	1/4-20 Elastic Stop Nut	2
63	5850	Handle Grip	2	F007	F007	5/16-18 Jam Nut	1
64	5173	FSC Actuator Rod	1	F008	F008	5/16-24 Keps Nut	2
65	5172	FSC Actuator Bearing	1	F009	F009	5/16-18 Whiz Lock Nut	12
66	5141	FSC Friction Washer	2	F010	F010	5/16-24 Elastic Stop Nut	2
67	5140	FSC Friction Body Assembly	1	F012	F012	3/8-16 Keps Nut	19
68	5140-2	FSC Friction Nut	1	F013	F013	3/8-16 Whiz Lock Nut	8
69	5942	Safety Switch (Normal Open, Short Body)	1	F015	F015	1/2" Wheel Lug Nut	8
70	5217	Pivot Pin, Steering Lever	1	F016	F016	1/2-13 Self Locking Nut	1
				F022	F022	3/8-24 Hex Nut	1
				F024	F024	5/16-24 Jam Nut	2
				F026	F026	10-24 X 1/2 Machine Screw	4
				F032	F032	1/4-20 X 3/4 Hex Bolt	7
				F034	F034	5/16-18 X 3/4 Hex Bolt	1
				F038	F038	3/8-16 X 1 Hex Bolt	6
				F039	F039	3/8-16 X 1-1/4 Hex Bolt	5
				F040	F040	3/8-16 X 1-1/2 Hex Bolt	2
				F041	F041	3/8-16 X 1-3/4 Hex Bolt	4
				F043	F043	3/8-16 X 3 Hex Bolt	8
				F048	F048	1/2 SAE Washer	2
				F049	F049	5/16 SAE Washer	13
				F050	F050	1/4 SAE Washer	4
				F051	F051	3/8 SAE Washer	14
				F053	F053	7/16 Internal Star Lock Washer	2
				F058	F058	1/4 Wavey Spring Washer	4
				F064	F064	1/8 X 1/2 Woodruff Key	6
				F067	F067	3/16 X 3/16 X 1 Key	2
				F068	F068	1/8 X 1 Cotter Pin	1
				F069	F069	3/32 X 1/2 Cotter Pin	2
				F070	F070	1-3/4 Internal Snap Ring	2
				F071	F071	3/4 External Snap Ring	2
				F074	F074	1/4-20 X 1/4 Set Screw	9
				F075	F075	5/16-18 X 1/2 Square Head Set Screw	1
				F076	F076	3/8-16 X 5/8 Square Head Set Screw	1
				F093	F093	5/16-18 X 1 Hex Bolt	1
				F095	F095	7/16-20 X 3/4 Socket Cap Head Bolt	2
				F111	F111	1/8 X 3/4 Cotter Pin	1
				F114	F114	5/16-18 X 5/8 Square Head Set Screw	1
				F131	F131	5/16-18 X 1/2 Hex Bolt	10
				F134	F134	AN960816L Washer	2
				F157	F157	1/2-20 X 7/8 Wheel Lug Bolt	8



**FIGURE C2 - CHASSIS ASSEMBLY
(DRIVE TRAIN PARTS)**

MODEL MC PARTS LIST (FIGURE C3)

ITEM NO.	PART NO.	DESCRIPTION	NO. REQ'D	ITEM NO.	PART NO.	DESCRIPTION	NO. REQ'D
1	6100	Welded Body Assembly	1	54	5743*	Extension Spring, 1" X 5-1/4"	2
2	6300	Chassis Frame	1	55	5830*	Grease Fitting	3
3	6010	16-HP Engine (Kohler M16AQS)	1	56	5245*	Idler Pulley (3")	1
4	6050	Tee Gearbox	1	57	5219*	Extension Spring, 3/4" X 6-3/4"	1
5	6410	Electric Clutch Assembly	1	58	5222*	Extension Spring, 1/2" X 3-1/4"	1
6	6013	Muffler	1	59	5879-3*	Fuel Line Clamp (1/4")	3
7	6013-1	Muffler Heat Shield	1	60	5897*	Muffler Band Clamp	2
8	6230	Engine And GHS PTO Belt (#3VX425)	4	61	5929-2	Solenoid Insulator Cap	1
9	6231	SD PTO Belt (#3VX355)	2	62	6012	Starter Bracket, Modified (Kohler)	1
10	6232	Ground Drive Belt (#6845)	1	63	5108-8	Control Bracket Assm. (Throttle & Choke)	2
11	6239	Blower Pulley (3V, GHS Only)	1	64	5108-3	Throttle Cable Assembly (Kohler)	1
12	6240-1	Engine Pulley (3V4-1/2)	1	65	5108-4	Choke Cable Assembly (Kohler)	1
13	6240-2	Tee Box Drive Pulley (3V4-1/2)	1	66	5108-1	Control Lever, Throttle & Choke	2
14	6240-3	PTO Drive Pulley (3V5)	1	67	5108-5	Throttle Control Knob, Red	1
15	6242	Clutch Pulley (3V4-1/2)	1	68	5108-6	Choke Control Knob, Black	1
16	6245	Idler Pulley (3V)	2	69	5108-7	Control Lock Tab	2
17	6245-1	Hub, Idler Pulley Bearing	2	70	5172*	Bearing (Delrin)	2
18	5236-1	Pulley, 3-1/4" Transmission Drive	1	71	5108-10	Friction Washer, 1/4 X 3/4 X 1/8	2
19	5843-1	Clutch Spacer Washer, Shaft End	1	72	5108-11	Friction Washer, 1/4 X 3/4 X 1/16	2
20	5843-2	Clutch Spacer Washer, Bolt End	1	73	5108-9	Wire Nut, Throttle And Choke (Kohler)	2
21	6015-1	Fuel Line, Tank (1/4 X 4, Kohler)	1	F002	F002*	10-24 Keps Nut	5
22	6015-2	Fuel Line, Pump (1/4 X 11, Kohler)	1	F005	F005*	1/4-20 Elastic Stop Nut	2
23	5020*	Fuel Filter	1	F012	F012*	3/8-16 Keps Nut	9
24	6879	Fuel Line Clamp (Kohler Fuel Pump)	1	F025	F025*	10-24 X 3/8 Machine Screw	3
25	6047	Exhaust Pipe Assembly (Kohler)	1	F038	F038*	3/8-16 X 1 Hex Bolt	3
26	6048	Exhaust Gasket	1	F040	F040*	3/8-16 X 1-1/2 Hex Bolt	2
27	6050-1	Tee Gearbox Mount Bar	1	F041	F041*	3/8-16 X 1-3/4 Hex Bolt	2
28	6080-1	Engine Air Duct, Upper Half	1	F050	F050*	1/4 SAE Washer	2
29	6080-2	Engine Air Duct, Lower Half	1	F053	F053*	7/16 Internal Star Lock Washer	2
30	6108	Throttle Control And Cable (Kohler)	1	F054	F054*	AN960616 Washer	2
31	6109	Choke Control And Cable (Kohler)	1	F057	F057*	#10 Split Lock Washer	2
32	6340	Engine Brace (Kohler)	1	F060	F060*	AN960516 Washer	2
33	6236	Belt Tension Cam, PTO	1	F063	F063*	3/8 Internal Star Lock Washer	1
34	6235	Spring, Belt Tension Cam	1	F065	F065*	3/16 X 3/4 Woodruff Key (#9)	2
35	6325	Belt Tightener Arm (Transmission)	1	F070	F070*	1-3/4 Internal Snap Ring	2
36	6345	PTO Belt Tightener Arm	1	F075	F075*	5/16-18 X 1/2 Sq Head Set Screw	3
37	6346-1	PTO Belt Tightener Mount, GHS	1	F092	F092*	5/16-18 X 3/4 Socket Button Head Bolt	2
38	6346-2	PTO Belt Tightener Mount, SD	1	F114	F114*	5/16-18 X 5/8 Sq Head Set Screw	5
39	6350	Engine Belt Tightener Arm	1	F132	F132*	1/4-20 X 2-3/4 Hex Bolt	2
40	6411	Clutch Restraint Strut	1	F137	F137	3/8-16 X 1/2 X 2 Shoulder Bolt	2
41	6527	Skid Bar, Blower Mount	1	F138	F138	3/8-16 X 1/2 X 1-1/2 Shoulder Bolt	1
42	6806	Blade Clutch Decal	1	F139	F139	1/4-20 X 5/16 X 1/4 Shoulder Bolt	1
43	6832	Cable Clamp, 9/16 X 1/4	1	F140	F140	7/16-14 X 1 Hex Bolt	2
44	6833	Cable Clamp, 9/16 X #10	2	F141	F141	1/4-20 X 3/4 Socket Cap Head Screw	4
45	6835	Cable Clamp, 7/16 Half Clip	1	F142	F142	3/8-24 X 1-1/2 Hex Bolt	1
46	6836	Cable Clamp, 1/2 Double Clamp	2	F149	F149	1/4 X 1/4 X 1-1/2 Key	1
47	6922	Positive Battery Cable	1	F150	F150	3/16 X 3/16 X 2-1/4 Key	1
48	6923	Negative Battery Cable	1	F151	F151	3/8-16 X 7/8 Hex Bolt	1
49	6940	Wire Harness Assembly (Kohler)	1	F152	F152	10-32 X 1/4 Indented Hex Machine Screw	2
50	6941	Relay Switch (Included With 6940)	0	F153	F153	3/16 X 3/16 X 1-1/4 Key	1
51	6950	PTO Switch	1	F163	F163	5/16-18 X 3/4 Sq Head Set Screw	2
52	5265*	Bearing (3/4 Inch)	2	F164	F164	10-24 X 1/4 X 3/8 Shoulder Bolt	2
53	5841*	Retainer Washer	2	F184	F184	1/4-20 x 1/2 S.S. Hex Bolt	6
				F185	F185	1/4 S.S. Star Lock Washer	6

* Common Part Also Used On Standard Model (MS)

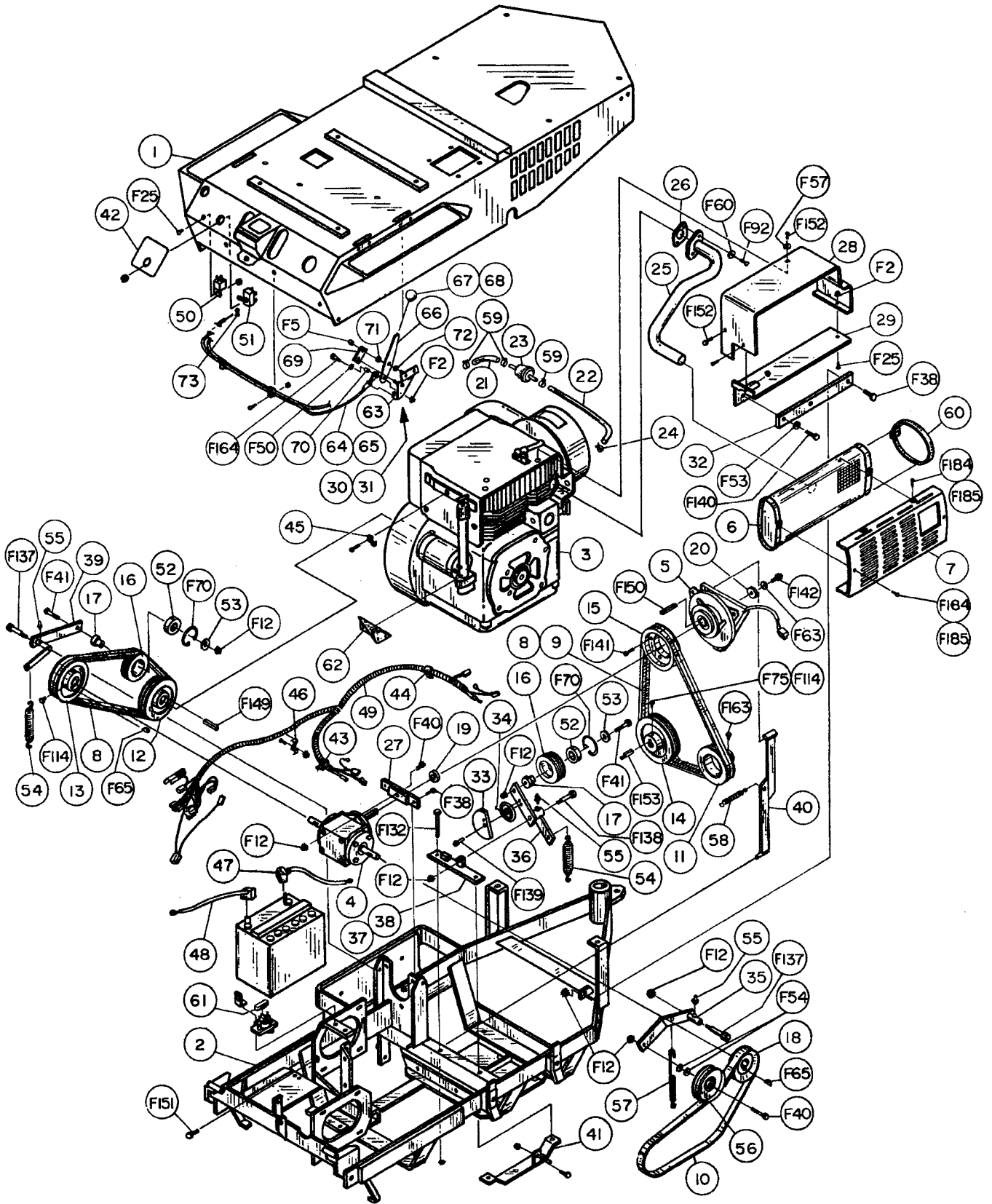


FIGURE C3 - SPECIAL PARTS FOR MODEL MC

CHASSIS ASSEMBLY, GROUND DRIVE PARTS LIST

ITEM NO.	PART NO.	DESCRIPTION	NO. REQ'D	ITEM NO.	PART NO.	DESCRIPTION	NO. REQ'D
1	5810	Decal, Reservoir	2	F004	F004	1/4-20 Keps Nut	2
2	5025	Hydrostatic Drive, CCW (700-032)	1	F009	F009	5/16-18 Whiz Locknut	1
3	6244	Hydro Pulley (Incl. Item # F205)	2	F032	F032	1/4-20 X 3/4 Hex Bolt	2
4	6243-2	Hydro Fan, CCW	1	F034	F034	5/16-18 X 3/4 Hex Bolt	1
5	5070-5	Wide Wheel & Tire Assembly	2	F036	F036	1/4-20 X 1/2 SBH Bolt	2
	5070-2	Wide Tire Only (18 x 8.50-8)*		F038	F038	3/8-16 X 1 Hex Bolt	4
	5070-4	Wide Wheel Only (8.50-8)*		F040	F040	3/8-16 X 1-1/2 Hex Bolt	4
6	6430-9	Outboard Mount, RH	1	F043	F043	3/8-16 X 3 Hex Bolt	8
7	6840-1	Support Arm Bushing	2	F053	F053	7/16 Internal Star Lock Washer	4
8	5830	Grease Fitting	2	F063	F063	3/8 Internal Star Lock Washer	16
9	6430-1	Deck Support Arm, RH	1	F064	F064	1/8 X 1/2 Woodruff Key (#3)	4
10	6200-5	Gear Axle Drive Assembly	2	F157	F157	Wheel Lug Bolt, 1/2-20 X 1-1/4	8
11	5810-1	Decal, Axle Oil Level	2	F160	F160	External Snap Ring (.669 Shaft)	2
12	6209	Bridge Assembly	1	F178	F178	1/4 Fender Washer	2
13	6430-2	Deck Support Arm, LH	1	F194	F194	7/16 X 1-1/4 X 1/8 Washer	2
14	6430-10	Outboard Mount, LH	1	F200	F200	7/16-20 X 3 Grade 8 Bolt	2
15	6243-1	Hydro Fan, CW	1	F205	F205	5/16-18 X 1/4 Set Screw, Knurl Pt	4
16	5026	Hydrostatic Drive, CW (700-031)	1	F244	F244	7/16-20 X 3/4 Hex Bolt	2
17	6201	O-Ring Seal	2	F259	F259	5/8-18 X 1 Hex Bolt, Grd 5 Plated	2
18	6234	Spacer, Pinion Gear	2				
19	6233-1	Pinion Gear	2				
20	6390	Battery Pan	1				
21	6300	Chassis Frame	1				
22	6206	Pressure Relief Valve	2				
23	5775-2	Hitch Pin, #6	2				

* Service Part Only

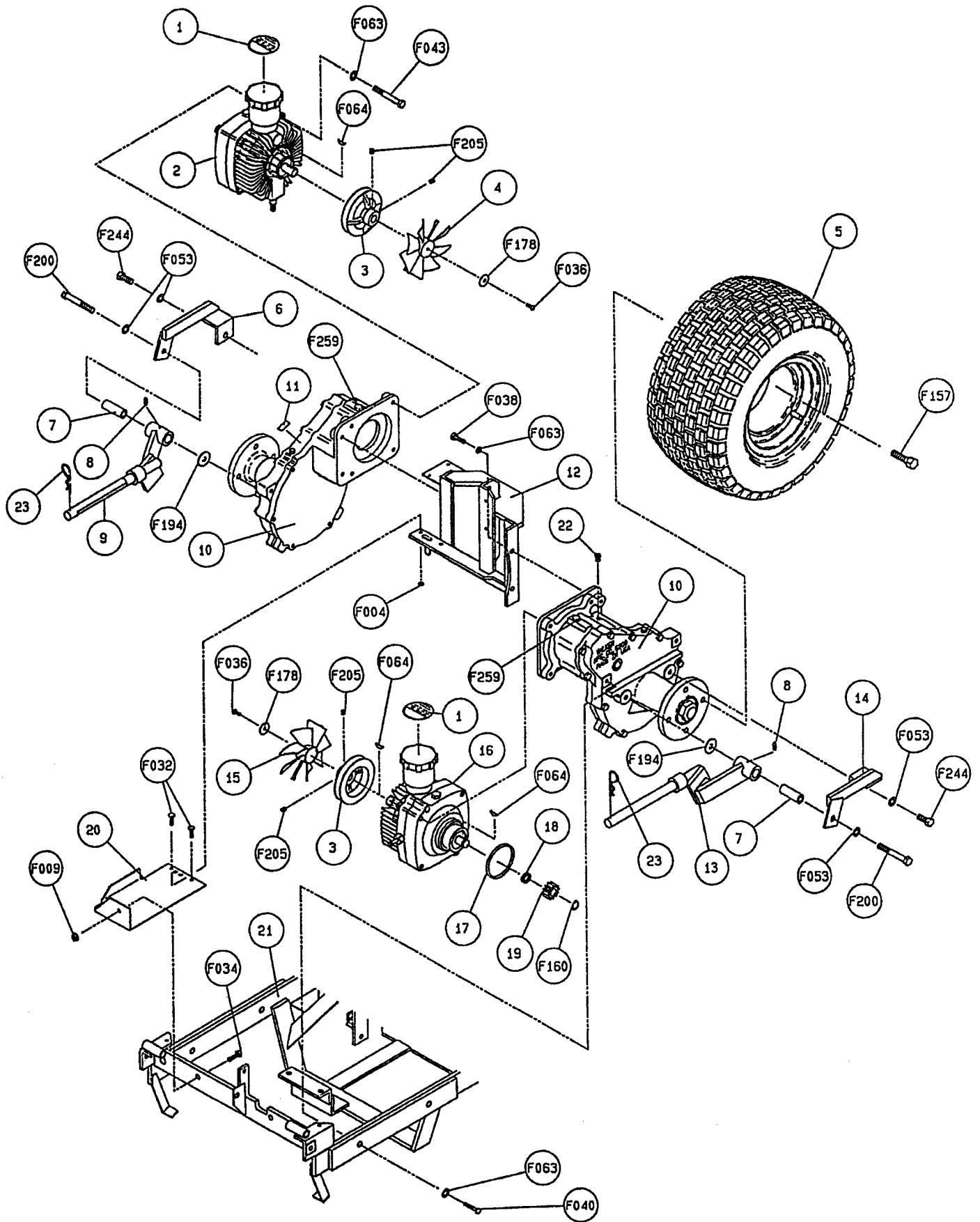


FIGURE C4 - GEAR AXLE DRIVE PARTS

DGHS36 DECK ASSEMBLY PARTS LIST (FIGURE D1)

ITEM NO.	PART NO.	DESCRIPTION	NO. REQ'D	ITEM NO.	PART NO.	DESCRIPTION	NO. REQ'D
1	5744-1	Spring Clip Bracket	1	39	5754	Backup Plate	1
2	5743-2	Counterweight Spring	2	40	5755	Chute Lower Lip	1
3	5743-3	Eye Bolt, Counterweight Spring Tension	2	41	5726	Chute Hinge	1
4	5830	Grease Fitting	4	42	5701-4	36" Deck Housing, GHS	1
5	5743-1	Spring Cover	2	43	5808	Decal, Danger Rotating Blade	2
6	5975-3	Cable Tie, 50 X 7	4	44	5706	Blade Hub And Trash Guard	2
7	5775-2	Hitch Pin, #6	6	45	5705-2	Blade, 20" LH Rotation	1
8	6430-2	Deck Support Arm, LH	1	46	5705-0	Blade, 20" RH Rotation	1
	6430-1	Deck Support Arm, RH (Not Illustrated)	1	47	5705-6	Blade Set, 36" GHS Deck Incl. Hub	1
9	5727-1	Washer Shim, 1/4" Thick	4	48	5747-1	Safety Tread (6 X 19)	1
10	5740-2	Deck Pin Bushing	4	49	5858	Deck Serial Number Plate	1
11	5748	Safety Tread (2 X 6)	2				
12	5749-1	Deck Lift Rod (36" Deck)	1	P007	P007	Gasket, Cap (Peerless #788030)	4
13	5708-3	36" Deck Carrier Frame	1				
	5700-5	Complete 36" Carrier Frame Assembly	0	F002	F002	10-24 Keps Nut	4
14	5683	Pivot Bearing (Deck Caster Wheel)	4	F005	F005	1/4-20 ESNA Nut	2
15	5770-2	Caster Wheel Fork	2	F012	F012	3/8-16 Keps Nut	2
16	5714-7	Bearing Cap (Fits 5715-3 or -4)	4	F013	F013	3/8-16 Whiz Lock Nut	4
17	5714-3	Axle Spacer Tube (Fits 5715-3 or -4)	2	F014	F014	3/8-16 ESNA Nut	2
18	5715-4	Pneumatic Deck Caster Wheel	2	F018	F018	5/8-18 Hex Nut	2
	5715-10	Tire Only, Pneumatic 2.80/2.50-4	0	F029	F029	1/4-20 x 1/2 Hex Bolt	4
	5715-9	Tube Only, Pneumatic 2.80/2.50-4	0	F036	F036	1/4-20 x 1/2 Socket Button Head Bolt	2
	5715-3	Semi-Pneumatic Deck Caster Wheel (Opt.)	0	F038	F038	3/8-16 x 1 Hex Bolt	2
19	5830-3	Grease Fitting (45 Degree)	4	F039	F039	3/8-16 x 1-1/4 Hex Bolt	4
20	5714-5	Bearing, Caster Whl (Fits 5715-3 or -4)	2	F047	F047	3/8-16 x 4-1/2 Hex Bolt	2
21	5809	Decal, Walker Mower Logo	1	F051	F051	3/8 SAE Washer	1
22	5682	Compression Spring, Deck Lift Rod	1	F054	F054	AN960616 Washer	1
23	5807-1	Decal, Cutting Height Adjust	1	F055	F055	5/8 SAE Washer	2
24	5747-0	Safety Tread (3-1/4 X 6)	2	F056	F056	5/8 Split Lock Washer	2
25	5746	Gearbox Cover (36" Deck)	1	F062	F062	#8 Internal Star Lock Washer	2
26	5285	Universal Joint Shaft Assembly	1	F065	F065	3/16 X 3/4 Woodruff Key (#9)	1
27	6875	Decal, PTO Alignment Arrow	1	F076	F076	3/8-16 X 5/8 SH Set Screw	1
28	5052-3	Washer, Oblong	4	F079	F079	A/A66D Aluminum Pop Rivet (Field Rpr.)	8
29	5052-1	Blade Drive Gearbox (LH Rotation)	2	F111	F111	1/8 X 3/4 Cotter Pin	1
30	5060	Gearbox Connector Tube (2-1/2")	1	F123	F123	1" External Snap Ring (Fits 5740-2)	4
31	5745	PTO Shaft Guard	1	F124	F124	10-32 x 3/8 Taptite Screw	9
32	6054	Spline Coupling	3	F166	F166	Retainer Ring (Fits 5743-2)	4
33	5051	Tee Gearbox	1	F191	F191	3/8 X 1-1/2 X 3/16 Washer (Fits 5770-2)	2
34	6732-2	Connecting Shaft (4")	1	F202	F202	10-24 x 5/8 SCH Machine Screw (Grade 8)	4
35	5061	Gearbox Connector Tube (6-1/2")	1	F206	F206	#2 X 3/16 Drive Pin	2
36	5706-4	Seal Protector Plate	3	F211	F211	1/4-20 x 7/8 Hex Bolt	16
37	5797	Discharge Chute (Only)	1	F224	F224	Semi-Tubular Rivet (3/16 X 7/16)	8
38	5794	Discharge Chute Assm (6-1/2" Intake)	1	F229	F229	C-Clip, 13/16"	2

NOTE: Unitized Deck Gear Drive Shown By This Illustration
Begins Approximately With S/N DX-13950

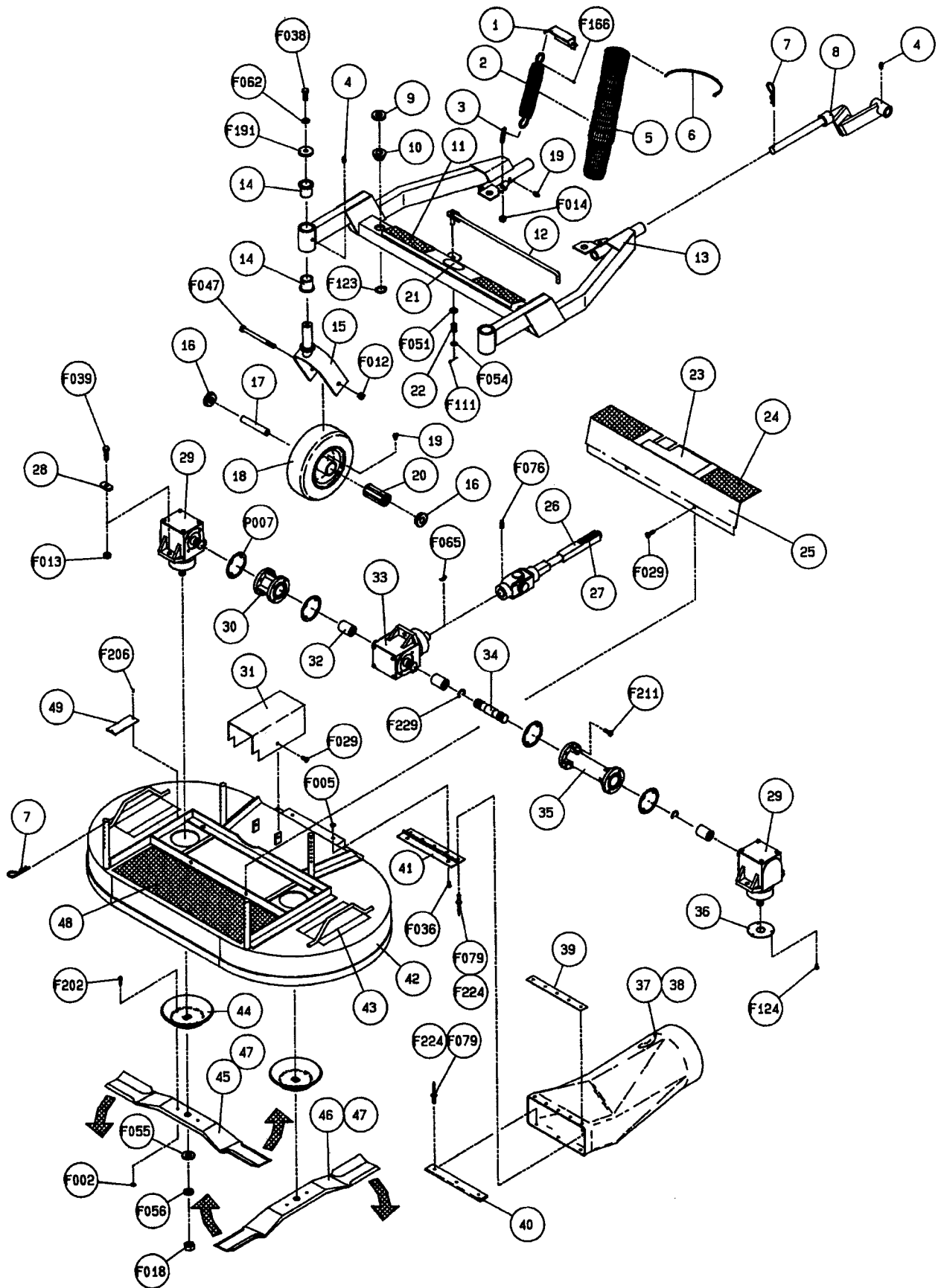


FIGURE D1 - DGHS36 DECK ASSEMBLY

DSD36 DECK ASSEMBLY PARTS LIST (FIGURE D2)

ITEM NO.	PART NO.	DESCRIPTION	NO. REQ'D	ITEM NO.	PART NO.	DESCRIPTION	NO. REQ'D
1	5744-1	Spring Clip Bracket	1	37	5706-4	Seal Protector Plate	3
2	5743-2	Counterweight Spring	2	38	5702-3	36" Deck Housing, SD	1
3	5743-3	Eye Bolt, Counterweight Spring Tension	2	39	5808	Decal, Danger Rotating Blade	2
4	5830	Grease Fitting	4	40	5706	Blade Hub And Trash Guard	2
5	5743-1	Spring Cover	2	41	5705-1	Blade, 20" RH Rotation	2
6	5975-3	Cable Tie, 50 X 7	4	42	5705-5	Blade Set, 36" SD Deck Incl. Hub	1
7	5775-2	Hitch Pin, #6	6	43	5747-1	Safety Tread (6 X 19)	1
8	6430-2	Deck Support Arm, LH	1	44	5709-2	Discharge Shield, Hinged Mount	1
	6430-1	Deck Support Arm, RH (Not Illustrated)	1	45	5848	Decal, Danger Side Discharge Shield	1
9	5727-1	Washer Shim, 1/4" Thick	4	46	5858	Deck Serial Number Plate	1
10	5740-2	Deck Pin Bushing	4				
11	5748	Safety Tread (2 X 6)	2	P007	P007	Gasket, Cap (Peerless #788030)	4
12	5749-1	Deck Lift Rod (36" Deck)	1				
13	5708-3	36" Deck Carrier Frame	1	F002	F002	10-24 Keps Nut	4
	5700-5	Complete 36" Carrier Frame Assembly	0	F012	F012	3/8-16 Keps Nut	2
14	5683	Pivot Bearing (Deck Caster Wheel)	4	F013	F013	3/8-16 Whiz Lock Nut	4
15	5770-2	Caster Wheel Fork	2	F014	F014	3/8-16 ESNA Nut	4
16	5714-7	Bearing Cap (Fits 5715-3 or -4)	4	F018	F018	5/8-18 Hex Nut	2
17	5714-3	Axle Spacer Tube (Fits 5715-3 or -4)	2	F029	F029	1/4-20 X 1/2 Hex Bolt	4
18	5715-4	Pneumatic Deck Caster Wheel	2	F038	F038	3/8-16 X 1 Hex Bolt	2
	5715-10	Tire Only, Pneumatic 2.80/2.50-4	0	F039	F039	3/8-16 X 1-1/4 Hex Bolt	6
	5715-9	Tube Only, Pneumatic 2.80/2.50-4	0	F047	F047	3/8-16 X 4-1/2 Hex Bolt	2
	5715-3	Semi-Pneumatic Deck Caster Wheel (Opt.)	0	F051	F051	3/8 SAE Washer	1
19	5830-3	Grease Fitting (45 Degree)	4	F054	F054	AN960616 Washer	1
20	5714-5	Bearing, Caster Whl (Fits 5715-3 or -4)	2	F055	F055	5/8 SAE Washer	2
21	5809	Decal, Walker Mower Logo	1	F056	F056	5/8 Split Lock Washer	2
22	5682	Compression Spring, Deck Lift Rod	1	F059	F059	3/8 Wavy Spring Washer	2
23	5807-1	Decal, Cutting Height Adjust	1	F062	F062	#8 Internal Star Lock Washer	2
24	5747-0	Safety Tread (3-1/4 X 6)	2	F065	F065	3/16 X 3/4 Woodruff Key (#9)	1
25	5746	Gearbox Cover (36" Deck)	1	F076	F076	3/8-16 X 5/8 SH Set Screw	1
26	5285	Universal Joint Shaft Assembly	1	F111	F111	1/8 X 3/4 Cotter Pin	1
27	6875	Decal, PTO Alignment Arrow	1	F123	F123	1" External Snap Ring (Fits 5740-2)	4
28	5052-3	Washer, Oblong	4	F124	F124	10-32 X 3/8 Taprite Screw	9
29	5053-1	Blade Drive Gearbox (RH Rotation)	1	F166	F166	Retainer Ring (Fits 5743-2)	4
30	5060	Gearbox Connector Tube (2-1/2")	1	F191	F191	3/8 X 1-1/2 X 3/16 Washer (Fits 5770-2)	2
31	6054	Spline Coupling	3	F202	F202	10-24 X 5/8 SCH Machine Screw (Grade 8)	4
32	5051	Tee Gearbox	1	F206	F206	#2 X 3/16 Drive Pin	2
33	5745	PTO Shaft Guard	1	F211	F211	1/4-20 X 7/8 Hex Bolt	16
34	6732-2	Connecting Shaft (4")	1	F229	F229	C-Clip, 13/16"	2
35	5061	Gearbox Connector Tube (6-1/2")	1				
36	5052-1	Blade Drive Gearbox (LH Rotation)	1				

NOTE: Unititized Deck Gear Drive Shown By This Illustration Begins Approximately With S/N DX-13950

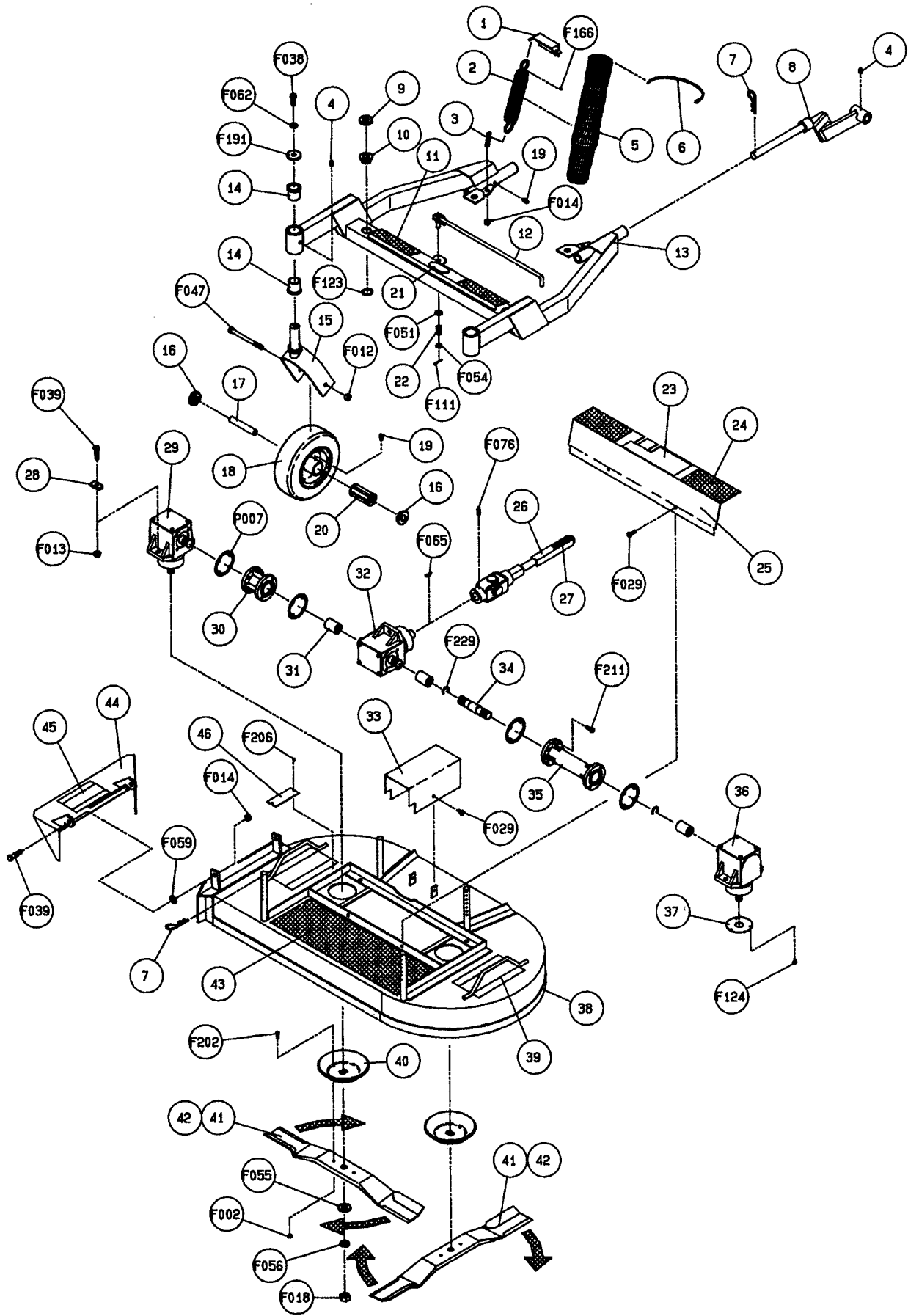


FIGURE D2 - DSD36 DECK ASSEMBLY

DSD42 DECK ASSEMBLY PARTS LIST (FIGURE D3)

ITEM NO.	PART NO.	DESCRIPTION	NO. REQ'D	ITEM NO.	PART NO.	DESCRIPTION	NO. REQ'D
1	5744-1	Spring Clip Bracket	1	38	5706-4	Seal Protector Plate	3
2	5743-2	Counterweight Spring	2	39	5703-3	42" Deck Housing, SD	1
3	5743-3	Eye Bolt, Counterweight Spring Tension	2	40	5808	Decal, Danger Rotating Blade	2
4	5830	Grease Fitting	4	41	5706	Blade Hub And Trash Guard	2
5	5743-1	Spring Cover	2	42	5705-3	Blade, 22" RH Rotation	2
6	5975-3	Cable Tie, 50 X 7	4	43	5705-7	Blade Set, 42" SD Deck Incl. Hub	1
7	5775-2	Hitch Pin, #6	6	44	5747-1	Safety Tread (6 X 19)	1
8	6430-2	Deck Support Arm, LH	1	45	5709-2	Discharge Shield, Hinged Mount	1
	6430-1	Deck Support Arm, RH (Not Illustrated)	1	46	5848	Decal, Danger Side Discharge Shield	1
9	5727-1	Washer Shim, 1/4" Thick	4	47	5858	Deck Serial Number Plate	1
10	5740-2	Deck Pin Bushing	4				
11	5748	Safety Tread (2 X 6)	2	P007	P007	Gasket, Cap (Peerless #788030)	4
12	5786-1	Deck Lift Rod (42"/54" Deck)	1				
13	5719-3	42" Deck Carrier Frame	1	F002	F002	10-24 Keps Nut	4
	5700-6	Complete 42" Carrier Frame Assembly	0	F012	F012	3/8-16 Keps Nut	2
14	5683	Pivot Bearing (Deck Caster Wheel)	4	F013	F013	3/8-16 Whiz Lock Nut	4
15	5770-2	Caster Wheel Fork	2	F014	F014	3/8-16 ESNA Nut	4
16	5714-7	Bearing Cap (Fits 5715-3 or -4)	4	F018	F018	5/8-18 Hex Nut	2
17	5714-3	Axle Spacer Tube (Fits 5715-3 or -4)	2	F029	F029	1/4-20 X 1/2 Hex Bolt	4
18	5715-4	Pneumatic Deck Caster Wheel	2	F038	F038	3/8-16 X 1 Hex Bolt	2
	5715-10	Tire Only, Pneumatic 2.80/2.50-4	0	F039	F039	3/8-16 X 1-1/4 Hex Bolt	6
	5715-9	Tube Only, Pneumatic 2.80/2.50-4	0	F047	F047	3/8-16 X 4-1/2 Hex Bolt	2
	5715-3	Semi-Pneumatic Deck Caster Wheel (Opt.)	0	F051	F051	3/8 SAE Washer	1
19	5830-3	Grease Fitting (45 Degree)	4	F054	F054	AN960616 Washer	1
20	5714-5	Bearing, Caster Whl (Fits 5715-3 or -4)	2	F055	F055	5/8 SAE Washer	2
21	5809	Decal, Walker Mower Logo	1	F056	F056	5/8 Split Lock Washer	2
22	5682	Compression Spring, Deck Lift Rod	1	F059	F059	3/8 Wavy Spring Washer	2
23	5807-1	Decal, Cutting Height Adjust	1	F062	F062	#8 Internal Star Lock Washer	2
24	5747-0	Safety Tread (3-1/4 X 6)	2	F065	F065	3/16 X 3/4 Woodruff Key (#9)	1
25	5785	Gearbox Cover (42" Deck)	1	F076	F076	3/8-16 X 5/8 SH Set Screw	1
26	5285	Universal Joint Shaft Assembly	1	F111	F111	1/8 X 3/4 Cotter Pin	1
27	6875	Decal, PTO Alignment Arrow	1	F123	F123	1" External Snap Ring (Fits 5740-2)	4
28	5052-3	Washer, Oblong	4	F124	F124	10-32 X 3/8 Taptite Screw	9
29	5053-1	Blade Drive Gearbox (RH Rotation)	1	F166	F166	Retainer Ring (Fits 5743-2)	4
30	6054	Spline Coupling	4	F191	F191	3/8 X 1-1/2 X 3/16 Washer (Fits 5770-2)	2
31	5062	Gearbox Connector Tube (4-1/2")	1	F202	F202	10-24 x 5/8 SCH Machine Screw (Grade 8)	4
32	6732-1	Connecting Shaft (2")	1	F206	F206	#2 X 3/16 Drive Pin	2
33	5051	Tee Gearbox	1	F211	F211	1/4-20 X 7/8 Hex Bolt	16
34	5745	PTO Shaft Guard	1	F229	F229	C-Clip, 13/16"	4
35	6732-3	Connecting Shaft (6")	1				
36	5063	Gearbox Connector Tube (8-1/2")	1				
37	5052-1	Blade Drive Gearbox (LH Rotation)	1				

NOTE: Unitized Deck Gear Drive Shown By This Illustration Begins Approximately With S/N DX-13950

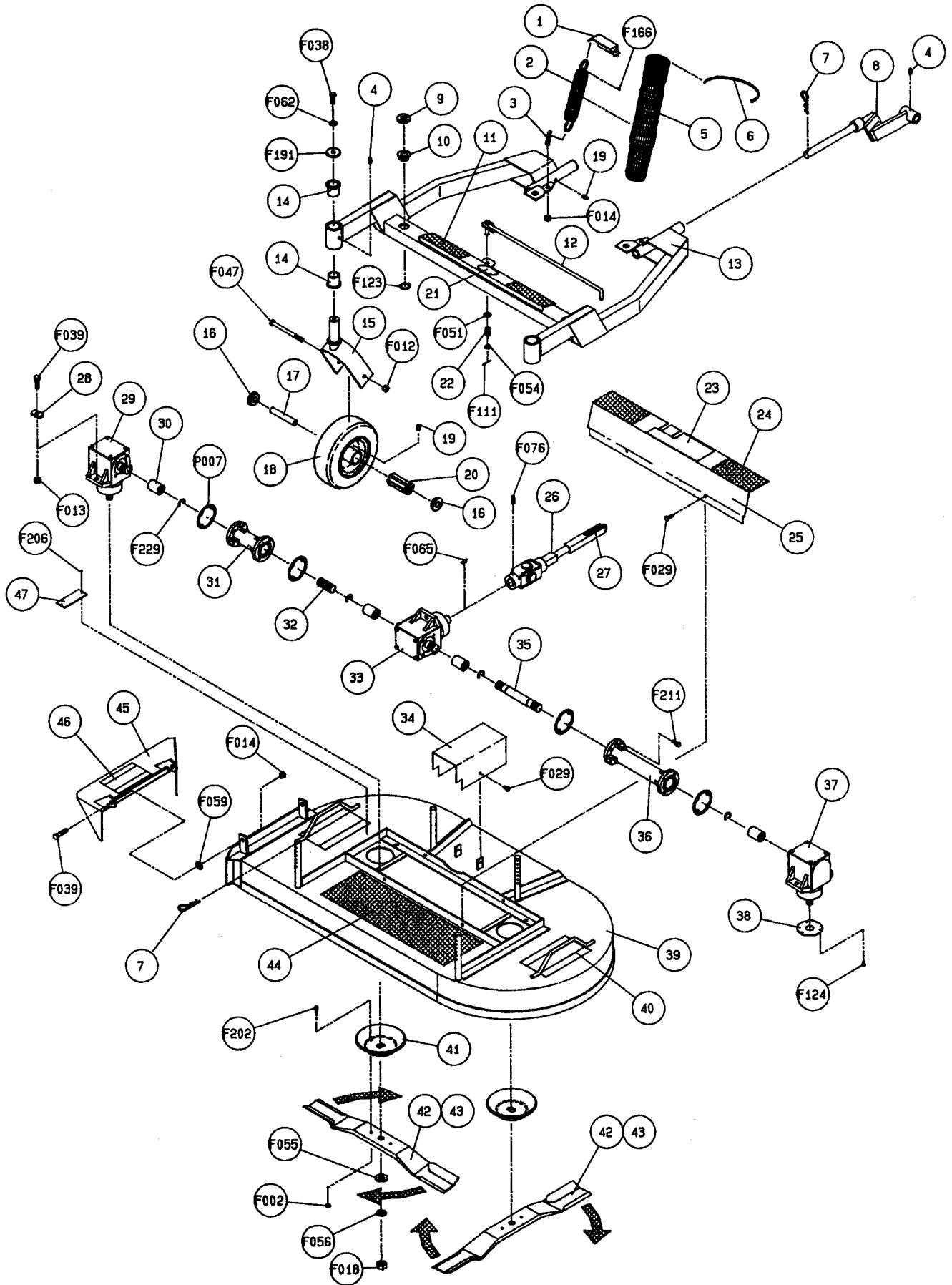


FIGURE D3 - DSD42 DECK ASSEMBLY

DGHS42 DECK ASSEMBLY PARTS LIST (FIGURE D4)

ITEM NO.	PART NO.	DESCRIPTION	NO. REQ'D	ITEM NO.	PART NO.	DESCRIPTION	NO. REQ'D
1	5744-1	Spring Clip Bracket	1	40	5754	Backup Plate	1
2	5743-2	Counterweight Spring	2	41	5726	Chute Hinge	1
3	5743-3	Eye Bolt, Counterweight Spring Tension	2	42	5755	Chute Lower Lip	1
4	5830	Grease Fitting	4	43	5704-4	42" Deck Housing, GHS	1
5	5743-1	Spring Cover	2	44	5808	Decal, Danger Rotating Blade	2
6	5975-3	Cable Tie, 50 X 7	4	45	5705-3	Blade, 22" RH Rotation	1
7	5775-2	Hitch Pin, #6	6	46	5705-8	Blade Set, 42" GHS Deck Incl. Hub	1
8	6430-2	Deck Support Arm, LH	1	47	5705-4	Blade, 22" LH Rotation	1
	6430-1	Deck Support Arm, RH (Not Illustrated)	1	48	5706	Blade Hub And Trash Guard	2
9	5727-1	Washer Shim, 1/4" Thick	4	49	5747-1	Safety Tread (6 X 19)	1
10	5740-2	Deck Pin Bushing	4	50	5858	Deck Serial Number Plate	1
11	5748	Safety Tread (2 X 6)	2				
12	5786-1	Deck Lift Rod (42"/54" Deck)	1	P007	P007	Gasket, Cap (Peerless #788030)	4
13	5719-3	42" Deck Carrier Frame	1	F002	F002	10-24 Keps Nut	4
	5700-6	Complete 42" Carrier Frame Assembly	0	F005	F005	1/4-20 ESNA Nut	2
14	5683	Pivot Bearing (Deck Caster Wheel)	4	F012	F012	3/8-16 Keps Nut	2
15	5770-2	Caster Wheel Fork	2	F013	F013	3/8-16 Whiz Lock Nut	4
16	5714-7	Bearing Cap (Fits 5715-3 or -4)	4	F014	F014	3/8-16 ESNA Nut	2
17	5714-3	Axle Spacer Tube (Fits 5715-3 or -4)	2	F018	F018	5/8-18 Hex Nut	2
18	5715-4	Pneumatic Deck Caster Wheel	2	F029	F029	1/4-20 x 1/2 Hex Bolt	4
	5715-10	Tire Only, Pneumatic 2.80/2.50-4	0	F036	F036	1/4-20 x 1/2 Socket Button Head Bolt	2
	5715-9	Tube Only, Pneumatic 2.80/2.50-4	0	F038	F038	3/8-16 x 1 Hex Bolt	2
	5715-3	Semi-Pneumatic Deck Caster Wheel (Opt.)	0	F039	F039	3/8-16 x 1-1/4 Hex Bolt	4
19	5830-3	Grease Fitting (45 Degree)	4	F047	F047	3/8-16 x 4-1/2 Hex Bolt	2
20	5714-5	Bearing, Caster Whl (Fits 5715-3 or -4)	2	F051	F051	3/8 SAE Washer	1
21	5809	Decal, Walker Mower Logo	1	F054	F054	AN960616 Washer	1
22	5682	Compression Spring, Deck Lift Rod	1	F055	F055	5/8 SAE Washer	2
23	5807-1	Decal, Cutting Height Adjust	1	F056	F056	5/8 Split Lock Washer	2
24	5747-0	Safety Tread (3-1/4 X 6)	2	F062	F062	#8 Internal Star Lock Washer	2
25	5785	Gearbox Cover (42" Deck)	1	F065	F065	3/16 X 3/4 Woodruff Key (#9)	1
26	5285	Universal Joint Shaft Assembly	1	F076	F076	3/8-16 X 5/8 SH Set Screw	1
27	6875	Decal, PTO Alignment Arrow	1	F079	F079	A/A66D Aluminum Pop Rivet	8
28	5052-3	Washer, Oblong	4	F111	F111	1/8 X 3/4 Cotter Pin	1
29	5052-1	Blade Drive Gearbox (LH Rotation)	2	F123	F123	1" External Snap Ring (Fits 5740-2)	4
30	6054	Spline Coupling	4	F124	F124	10-32 x 3/8 Taptite Screw	9
31	5062	Gearbox Connector Tube (4-1/2")	1	F166	F166	Retainer Ring (Fits 5743-2)	4
32	6732-1	Connecting Shaft (2")	1	F191	F191	3/8 X 1-1/2 X 3/16 Washer (Fits 5770-2)	2
33	5745	PTO Shaft Guard	1	F202	F202	10-24 x 5/8 SCH Machine Screw (Grade 8)	4
34	5051	Tee Gearbox	1	F206	F206	#2 X 3/16 Drive Pin	2
35	6732-3	Connecting Shaft (6")	1	F211	F211	1/4-20 x 7/8 Hex Bolt	16
36	5063	Gearbox Connector Tube (8-1/2")	1	F224	F224	Semi-Tubular Rivet (3/16 X 7/16)	8
37	5706-4	Seal Protector Plate	3	F229	F229	C-Clip, 13/16"	4
38	5797	Discharge Chute (Only)	1				
39	5794	Discharge Chute Assm (6-1/2" Intake)	1				

NOTE: Unitized Deck Gear Drive Shown By This Illustration Begins Approximately With S/N DX-13950

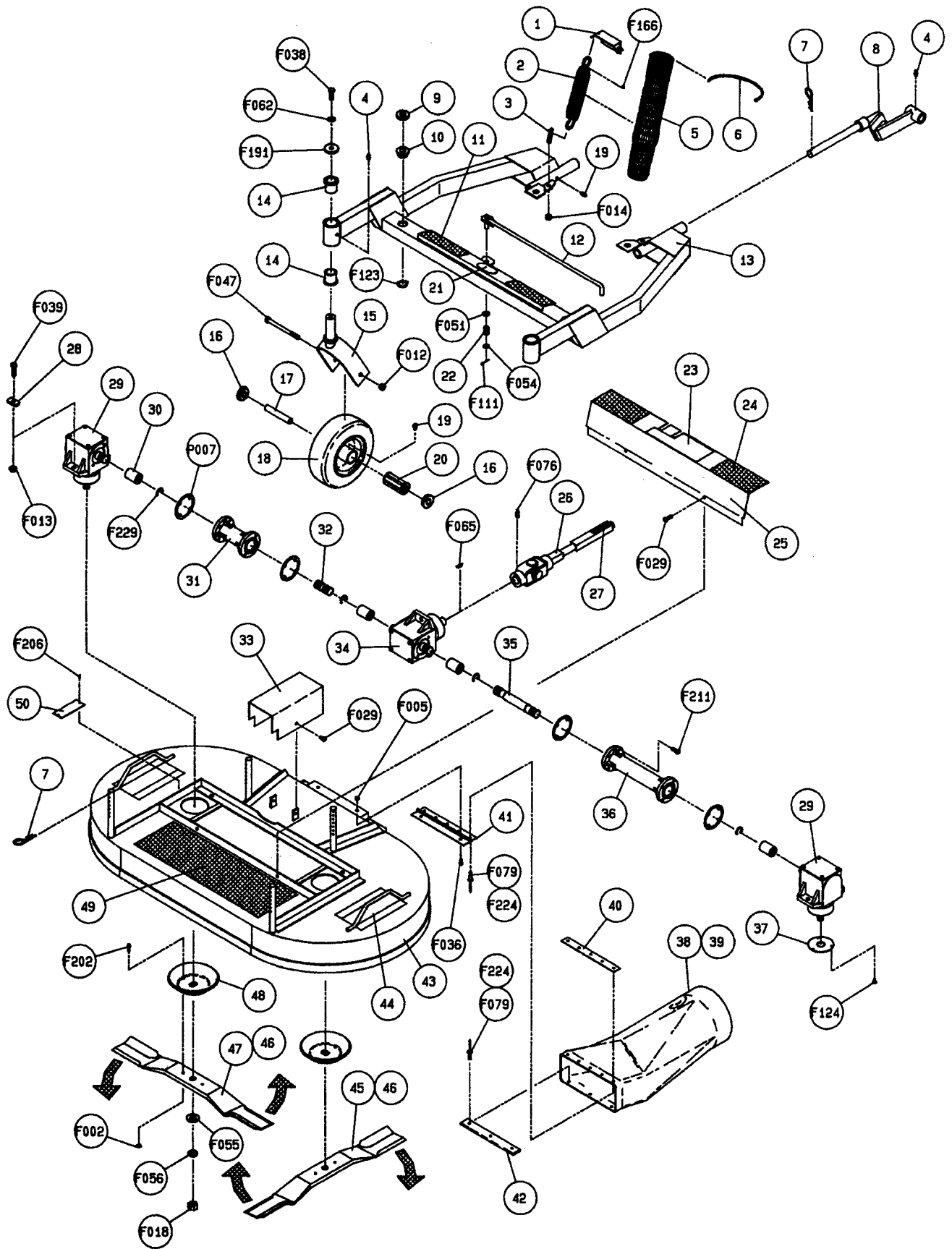


FIGURE D4 - DGHS42 DECK ASSEMBLY

DSD54 DECK ASSEMBLY PARTS LIST (FIGURE D5)

ITEM NO.	PART NO.	DESCRIPTION	NO. REQ'D	ITEM NO.	PART NO.	DESCRIPTION	NO. REQ'D
1	5744-1	Spring Clip Bracket	1	41	6716-2	Rear Axle, Anti-Scalp Roller (Bolt)	1
2	5743-2	Counterweight Spring	2	42	6715	Anti-Scalp Roller	3
3	5743-3	Eye Bolt, Counterweight Spring Tension	2	43	5808	Decal, Danger Rotating Blade	2
4	5830	Grease Fitting	4	44	6705-2	54" Deck Housing, SD	1
5	5743-1	Spring Cover	2	45	5706	Blade Hub And Trash Guard	3
6	5975-3	Cable Tie, 50 X 7	4	46	5705-0	Blade, 20" RH Rotation	3
7	5775-2	Hitch Pin, #6	6	47	5705-9	Blade Set, 54" SD Deck Incl. Hub	1
8	6430-2	Deck Support Arm, LH	1	48	5747-1	Safety Tread (6 X 19)	1
	6430-1	Deck Support Arm, RH (Not Illustrated)	1	49	6716-3	Front Axle, Anti-Scalp Roller (Bolt)	1
9	5727-1	Washer Shim, 1/4" Thick	4	50	6707	Skid Bar, 54" SD Deck	1
10	5740-2	Deck Pin Bushing	4	51	5848	Decal, Danger Side Discharge Shield	1
11	5748	Safety Tread (2 X 6)	2	52	6709	Discharge Shield, 54" SD	1
12	5786-1	Deck Lift Rod (42"/54" Deck)	1	53	5858	Deck Serial Number Plate	1
13	6710-2	54" Deck Carrier Frame	1				
	6700-1	Complete 54" Carrier Frame Assembly	0	P007	P007	Gasket, Cap (Peerless #788030)	6
14	5683	Pivot Bearing (Deck Caster Wheel)	4				
15	5770-2	Caster Wheel Fork	2	F002	F002	10-24 Keps Nut	6
16	5714-7	Bearing Cap (Fits 5715-3 or -4)	4	F004	F004	1/4-20 Keps Nut	4
17	5714-3	Axle Spacer Tube (Fits 5715-3 or -4)	2	F012	F012	3/8-16 Keps Nut	2
18	5715-4	Pneumatic Deck Caster Wheel	2	F013	F013	3/8-16 Whiz Lock Nut	6
	5715-10	Tire Only, Pneumatic 2.80/2.50-4	0	F014	F014	3/8-16 ESNA Nut	4
	5715-9	Tube Only, Pneumatic 2.80/2.50-4	0	F016	F016	1/2-13 Self-Lock Nut	2
	5715-3	Semi-Pneumatic Deck Caster Wheel (Opt.)	0	F018	F018	5/8-18 Hex Nut	3
19	5830-3	Grease Fitting (45 Degree)	4	F029	F029	1/4-20 X 1/2 Hex Bolt	4
20	5714-5	Bearing, Caster Whl (Fits 5715-3 or -4)	2	F031	F031	1/4-20 X 5/8 Hex Bolt	2
21	5809	Decal, Walker Mower Logo	1	F038	F038	3/8-16 X 1 Hex Bolt	2
22	5682	Compression Spring, Deck Lift Rod	1	F039	F039	3/8-16 X 1-1/4 Hex Bolt	8
23	5807-1	Decal, Cutting Height Adjust	1	F047	F047	3/8-16 X 4-1/2 Hex Bolt	2
24	5747-3	Safety Tread (3-1/4 X 11)	2	F051	F051	3/8 SAE Washer	1
25	6785	Gearbox Cover (54" Deck)	1	F054	F054	AN960616 Washer	1
26	5285	Universal Joint Shaft Assembly	1	F055	F055	5/8 SAE Washer	3
27	6875	Decal, PTO Alignment Arrow	1	F056	F056	5/8 Split Lock Washer	3
28	5052-3	Washer, Oblong	4	F059	F059	3/8 Wavey Spring Washer	2
29	5065	Gearbox Connector Tube (7-1/2")	1	F062	F062	#8 Internal Star Lock Washer	2
30	5053-1	Blade Drive Gearbox (RH Rotation)	1	F065	F065	3/16 X 3/4 Woodruff Key (#9)	1
31	6732-4	Connecting Shaft (5")	1	F076	F076	3/8-16 X 5/8 SH Set Screw	1
32	6054	Spline Coupling	5	F111	F111	1/8 X 3/4 Cotter Pin	1
33	5051	Tee Gearbox	1	F123	F123	1" External Snap Ring (Fits 5740-2)	4
34	5060	Gearbox Connector Tube (2-1/2")	1	F124	F124	10-32 X 3/8 Taptite Screw	12
35	5058	Tee Gearbox, Blade Drive	1	F166	F166	Retainer Ring (Fits 5743-2)	4
36	6732-5	Connecting Shaft (11")	1	F191	F191	3/8 X 1-1/2 X 3/16 Washer (Fits 5770-2)	2
37	5745	PTO Shaft Guard	1	F202	F202	10-24 x 5/8 SCH Machine Screw (Grade 8)	6
38	5064	Gearbox Connector Tube (13-1/2")	1	F206	F206	#2 X 3/16 Drive Pin	2
39	5052-1	Blade Drive Gearbox (LH Rotation)	1	F211	F211	1/4-20 X 7/8 Hex Head Bolt	26
40	5706-4	Seal Protector Plate	4	F229	F229	C-Clip, 13/16"	4

NOTE: Unitized Deck Gear Drive Shown By This Illustration Begins Approximately With S/N DX-13950

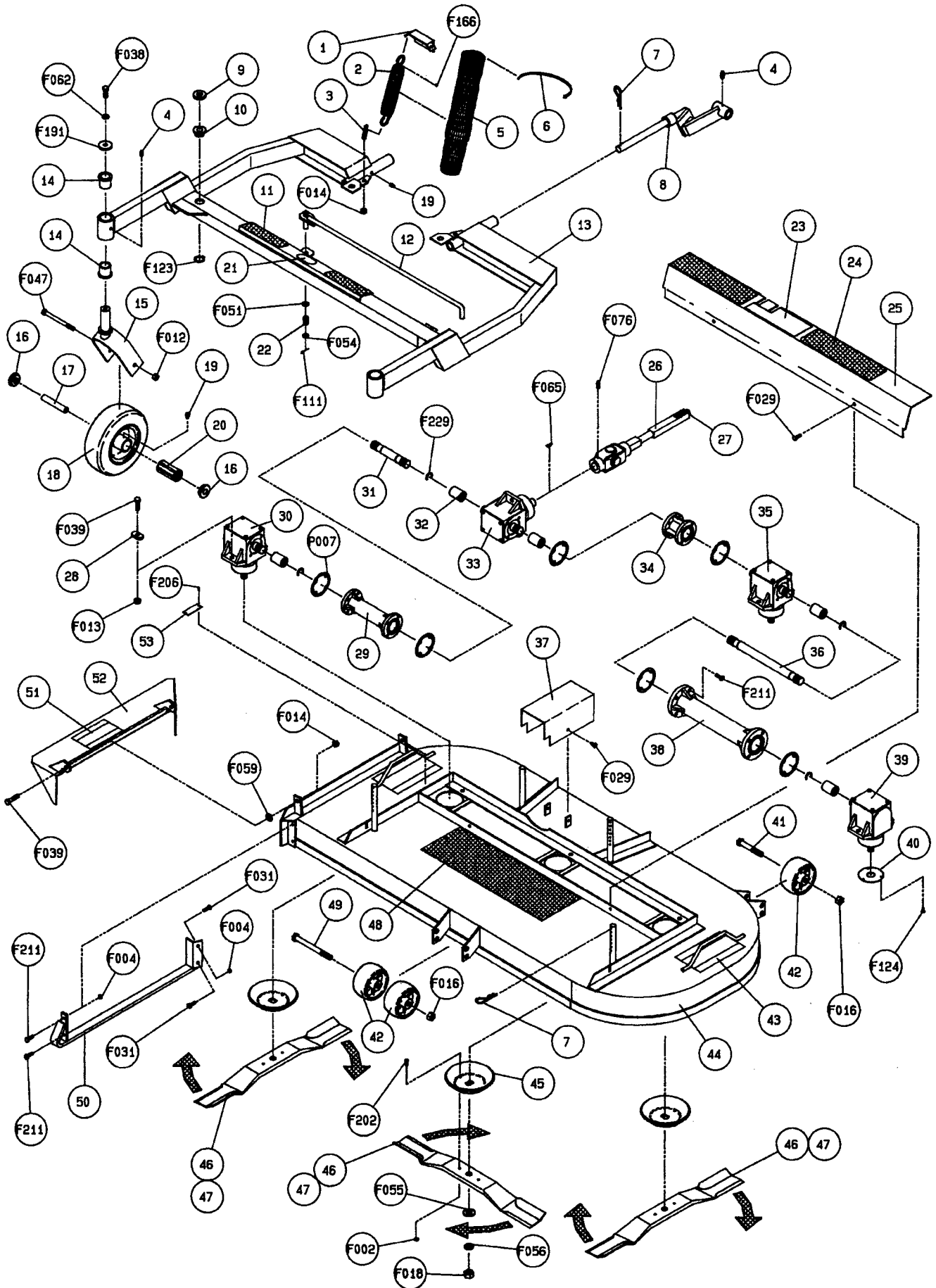


FIGURE D5 - DSD54 DECK ASSEMBLY

DML42 DECK ASSEMBLY PARTS LIST (FIGURE D6)

ITEM NO.	PART NO.	DESCRIPTION	NO. REQ'D	ITEM NO.	PART NO.	DESCRIPTION	NO. REQ'D
1	5744-1	Spring Clip Bracket	1	38	5706-4	Seal Protector Plate	3
2	5743-2	Counterweight Spring	2	39	5701-1	42" Deck Housing, Mulching	1
3	5743-3	Eye Bolt, Counterweight Spring Tension	2	40	5808	Decal, Danger Rotating Blade	2
4	5830	Grease Fitting	4	41	5706	Blade Hub And Trash Guard	2
5	5743-1	Spring Cover	2	42	5705-11	Blade, 22" Upper Mulching	2
6	5975-3	Cable Tie, 50 X 7	4	43	5705-10	Blade, 21" Lower Mulching	2
7	5775-2	Hitch Pin, #6	6	44	5705-12	Blade Set, 42" Mulching Deck Incl. Hub	1
8	6430-2	Deck Support Arm, LH	1	45	5747-1	Safety Tread (6 x 19)	1
	6430-1	Deck Support Arm, RH (Not Illustrated)	1	46	5858	Deck Serial Number Plate	1
9	5727-1	Washer Shim, 1/4" Thick	4				
10	5740-2	Deck Pin Bushing	4	P007	P007	Gasket, Cap (Peerless #788030)	4
11	5748	Safety Tread (2 X 6)	2				
12	5786-1	Deck Lift Rod (42"/54" Deck)	1	F002	F002	10-24 Keps Nut	4
13	5719-3	42" Deck Carrier Frame	1	F012	F012	3/8-16 Keps Nut	2
	5700-6	Complete 42" Carrier Frame Assembly	0	F013	F013	3/8-16 Whiz Lock Nut	4
14	5683	Pivot Bearing (Deck Caster Wheel)	4	F014	F014	3/8-16 ESNA Nut	2
15	5770-2	Caster Wheel Fork	2	F018	F018	5/8-18 Hex Nut	2
16	5714-7	Bearing Cap (Fits 5715-3 or -4)	4	F029	F029	1/4-20 X 1/2 Hex Bolt	4
17	5714-3	Axle Spacer Tube (Fits 5715-3 or -4)	2	F038	F038	3/8-16 X 1 Hex Bolt	2
18	5715-4	Pneumatic Deck Caster Wheel	2	F039	F039	3/8-16 X 1-1/4 Hex Bolt	4
	5715-10	Tire Only, Pneumatic 2.80/2.50-4	0	F047	F047	3/8-16 X 4-1/2 Hex Bolt	2
	5715-9	Tube Only, Pneumatic 2.80/2.50-4	0	F051	F051	3/8 SAE Washer	1
	5715-3	Semi-Pneumatic Deck Caster Wheel (Opt.)	0	F054	F054	AN960616 Washer	1
19	5830-3	Grease Fitting (45 Degree)	4	F055	F055	5/8 SAE Washer	2
20	5714-5	Bearing, Caster Whl (Fits 5715-3 or -4)	2	F056	F056	5/8 Split Lock Washer	2
21	5809	Decal, Walker Mower Logo	1	F062	F062	#8 Internal Star Lock Washer	2
22	5682	Compression Spring, Deck Lift Rod	1	F065	F065	3/16 X 3/4 Woodruff Key (#9)	1
23	5807-1	Decal, Cutting Height Adjust	1	F076	F076	3/8-16 X 5/8 SH Set Screw	1
24	5747-0	Safety Tread (3-1/4 X 6)	2	F111	F111	1/8 X 3/4 Cotter Pin	1
25	5785	Gearbox Cover (42" Deck)	1	F123	F123	1" External Snap Ring (Fits 5740-2)	4
26	5285	Universal Joint Shaft Assembly	1	F124	F124	10-32 X 3/8 Taptite Screw	9
27	6875	Decal, PTO Alignment Arrow	1	F166	F166	Retainer Ring (Fits 5743-2)	4
28	5052-3	Washer, Oblong	4	F191	F191	3/8 X 1-1/2 X 3/16 Washer (Fits 5770-2)	2
29	5053-1	Blade Drive Gearbox (RH Rotation)	1	F202	F202	10-24 x 5/8 SCH Machine Screw (Grade 8)	4
30	6054	Spline Coupling	4	F206	F206	#2 X 3/16 Drive Pin	2
31	5062	Gearbox Connector Tube (4-1/2")	1	F211	F211	1/4-20 X 7/8 Hex Bolt	16
32	6732-1	Connecting Shaft (2")	1	F229	F229	C-Clip, 13/16"	4
33	5051	Tee Gearbox	1				
34	5745	PTO Shaft Guard	1				
35	6732-3	Connecting Shaft (6")	1				
36	5063	Gearbox Connector Tube (8-1/2")	1				
37	5052-1	Blade Drive Gearbox (LH Rotation)	1				

NOTE: Unitized Deck Gear Drive Shown By This Illustration Begins Approximately With S/N DX-13950

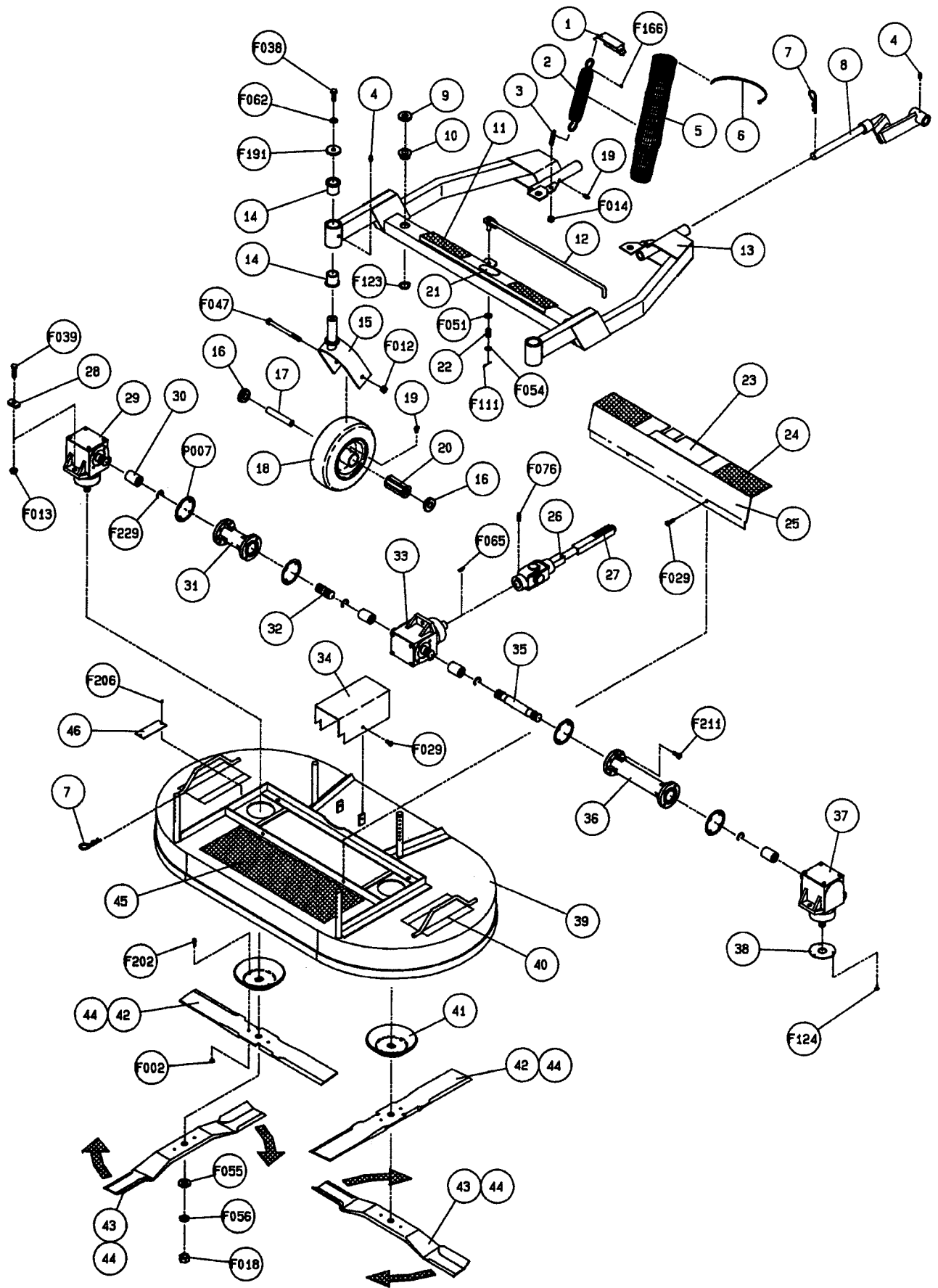
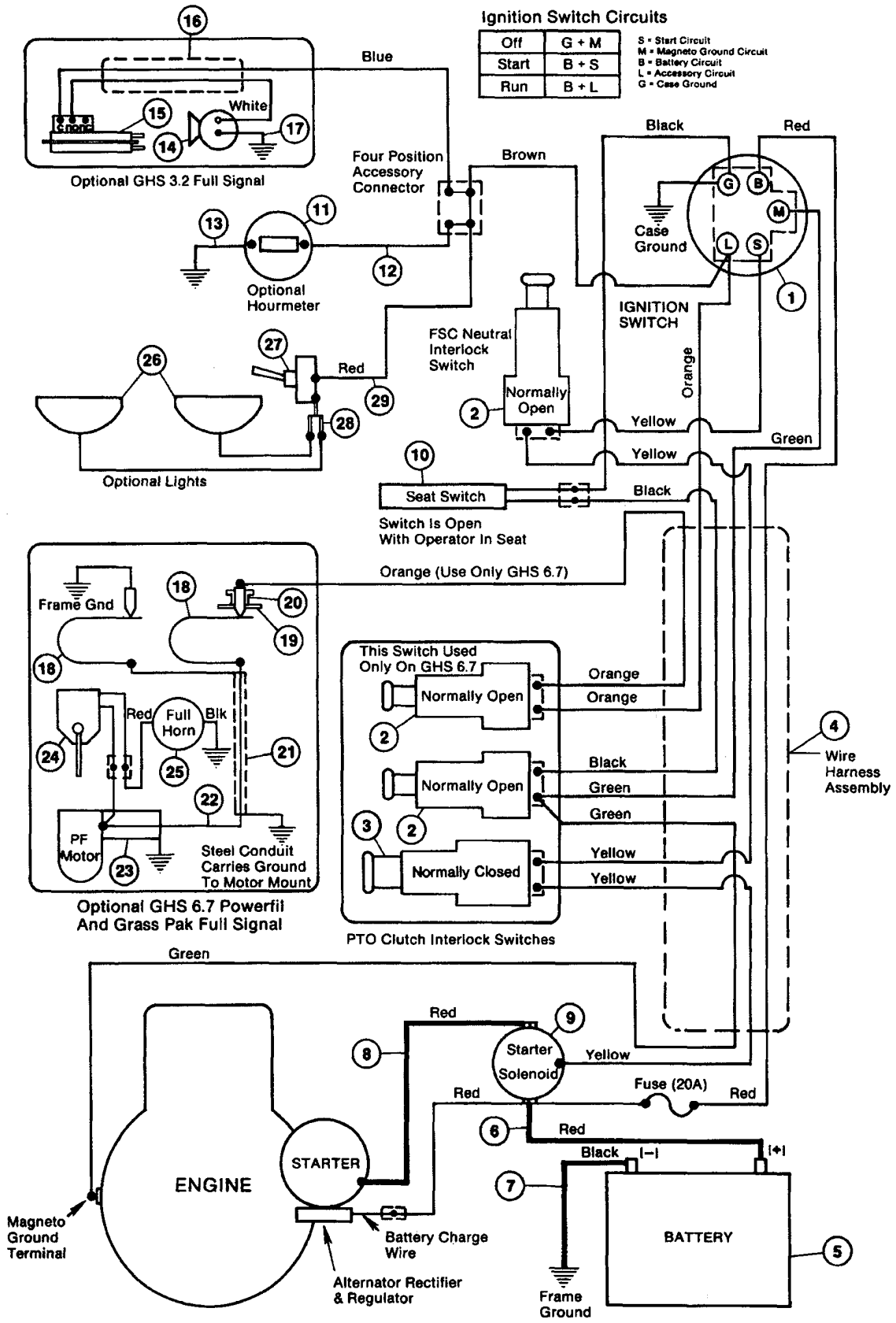


FIGURE D6 - DML42 DECK ASSEMBLY

STANDARD MODEL WIRING SCHEMATIC PARTS LIST (FIGURE E1)

ITEM NO.	PART NO.	DESCRIPTION	NO. REQ'D
1	5960	Ignition Switch (Incl. Hardware)	1
	5960-2	Ignition Switch Key (Incl. With Switch)	0
2	5942	Safety Switch (Normal Open, Short Body)	3
3	5941	Safety Switch (Normal Closed, Long Body)	1
4	5940-1	Wire Harness Assembly (87 & On)	1
	5940	Wire Harness Assembly (85-86)	0
5	5910	Battery (12V, Exide GT-9LM)	1
6	5922	Positive Battery Cable	1
7	5923	Negative Battery Cable	1
8	5924	Starter Solenoid Cable	1
9	5929	Starter Solenoid	1
10	5955	Seat Switch	1
11	5990	Hourmeter Kit (Optional)	1
12	5991-1	Hourmeter Power Lead Wire	1
13	5991-2	Hourmeter Ground Wire	1
14	5536	Full Signal Horn, GHS3.2	1
15	5535	Pressure Switch, GHS3.2	1
16	5980	Wire Harness Assembly, GHS3.2	1
17	5981	Horn Ground Wire, GHS3.2	1
18	5984	Electric Contact Spring, GHS6.7	2
19	5982-1	Insulator Washer (Plastic, 2", GHS6.7)	1
20	5982-2	Insulator Bushing (Plastic, GHS6.7)	1
21	5988-1	Conduit Assembly, GHS6.7	1
22	5985-2	Power Lead Wire, GHS6.7	1
23	5519	Powerfil Motor (12V, GHS6.7)	1
24	5592	Grass Pak Switch Assembly, GHS6.7	1
25	5536-1	Full Signal Horn, GHS6.7	1
26	5989-1	Light (Optional)	2
27	5995	Switch, Lights	1
	5995-2	Water Proof Boot, Light Switch	1
28	5995-1	Two-One Wire Terminal Adapter	1
29	5995-3	Power Lead Wire, Lights	1



**FIGURE E1 - WIRING SCHEMATIC FOR STANDARD MODEL (MS '85 - '94)
WITH 11-HP BRIGGS & STRATTON (#25447)**

COMMERCIAL MODEL WIRING SCHEMATIC PARTS LIST (FIGURE E2)

ITEM NO.	PART NO.	DESCRIPTION	NO. REQ'D
1	5960	Ignition Switch (Incl. Hardware)	1
	5960-2	Ignition Switch Key (Incl. With Switch)	0
2	5942	Safety Switch (Normal Open, Short Body)	1
3	5955	Seat Switch	1
4	6940	Wire Harness Assembly	1
5	6941	Relay Switch (Incl. With 6940)	1
6	6950	PTO Clutch Switch	1
7	5910	Battery (12V, Exide GT-9LM)	1
8	6922	Positive Battery Cable	1
9	6923	Negative Battery Cable	1
10	5929	Starter Solenoid	1
11	5990	Hourmeter	1
12	5991-1	Hourmeter Power Lead Wire	1
13	5991-2	Hourmeter Ground Wire	1
14	5984	Electric Contact Spring, GHS6.7	2
15	5982-1	Insulator Washer (Plastic, 2", GHS6.7)	1
16	5982-2	Insulator Bushing (Plastic, GHS6.7)	1
17	5988-1	Conduit Assembly, GHS6.7	1
18	5985-2	Power Lead Wire, GHS6.7	1
19	5519	Powerfil Motor (12V, GHS6.7)	1
20	5592	Grass Pak Switch Assembly, GHS6.7	1
21	5536-1	Full Signal Horn, GHS6.7	1
22	5989-1	Light (Optional)	2
23	5995	Switch, Lights	1
	5995-2	Water Proof Boot, Light Switch	1
24	5995-1	Two-One Wire Terminal Adapter	1
25	5983	Power Lead Wire, Body, Powerfil	1

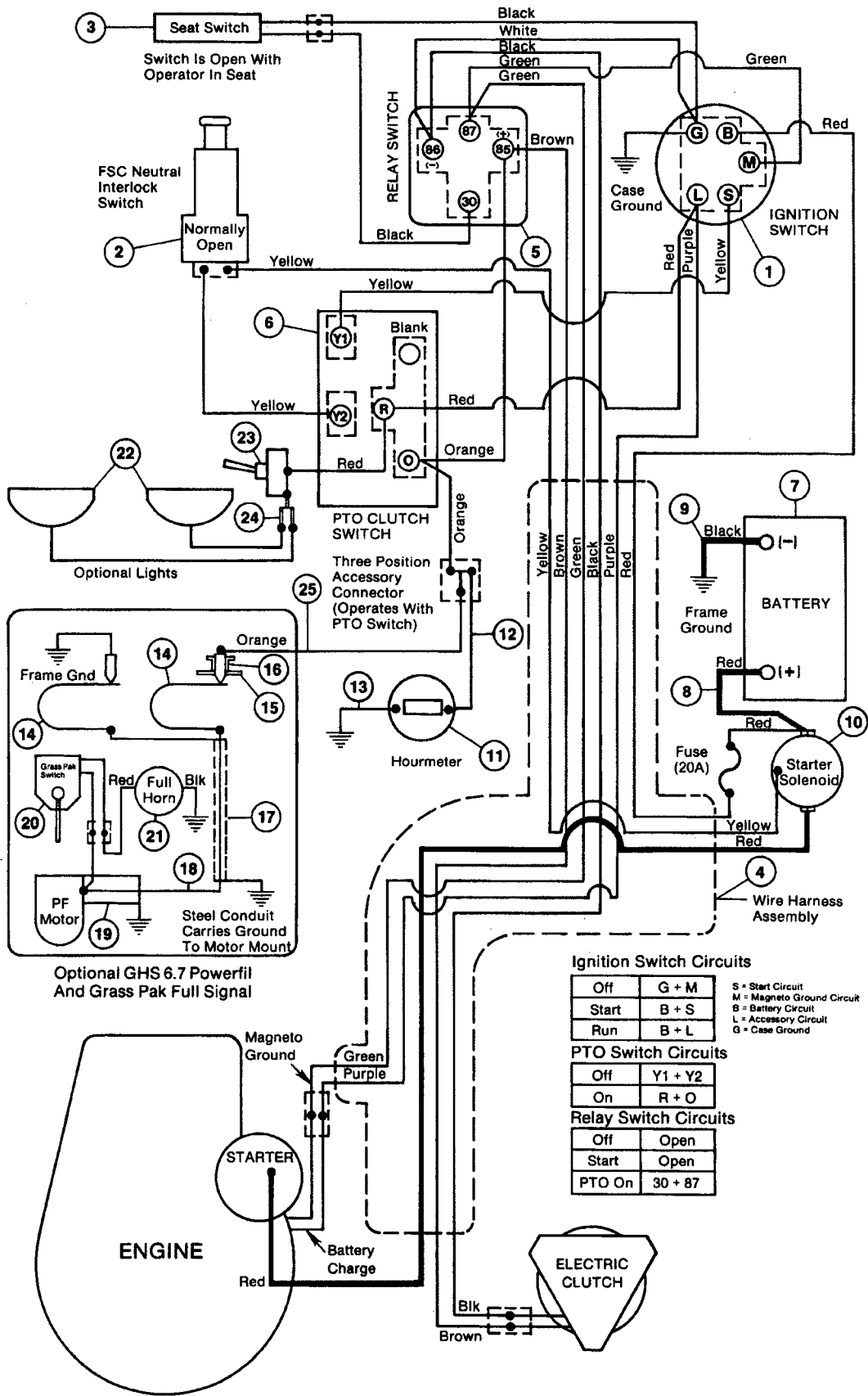


FIGURE E2- WIRING SCHEMATIC FOR COMMERCIAL MODEL WITH 16-HP KOHLER (#M16AQS)

**REFERENCE FIGURE E1 - WIRING SCHEMATIC FOR STANDARD MODEL (MS '85 - '94)
WITH 11-HP BRIGGS & STRATTON (PAGE 27)
FOR MODEL S (KAWASAKI) ELECTRICAL PARTS**

IGNITION SWITCH CIRCUITS

OFF	G + M
START	B + S
RUN	B + L

S=START CIRCUIT
 M=MAGNETO GROUND CIRCUIT
 B=BATTERY CIRCUIT
 L=ACCESSORY CIRCUIT
 G=CASE GROUND

LOAD REQUIREMENT - LIGHTS 65.5 WATTS
 PF MOTOR 18.0 WATTS
 TOTAL 83.5 WATTS

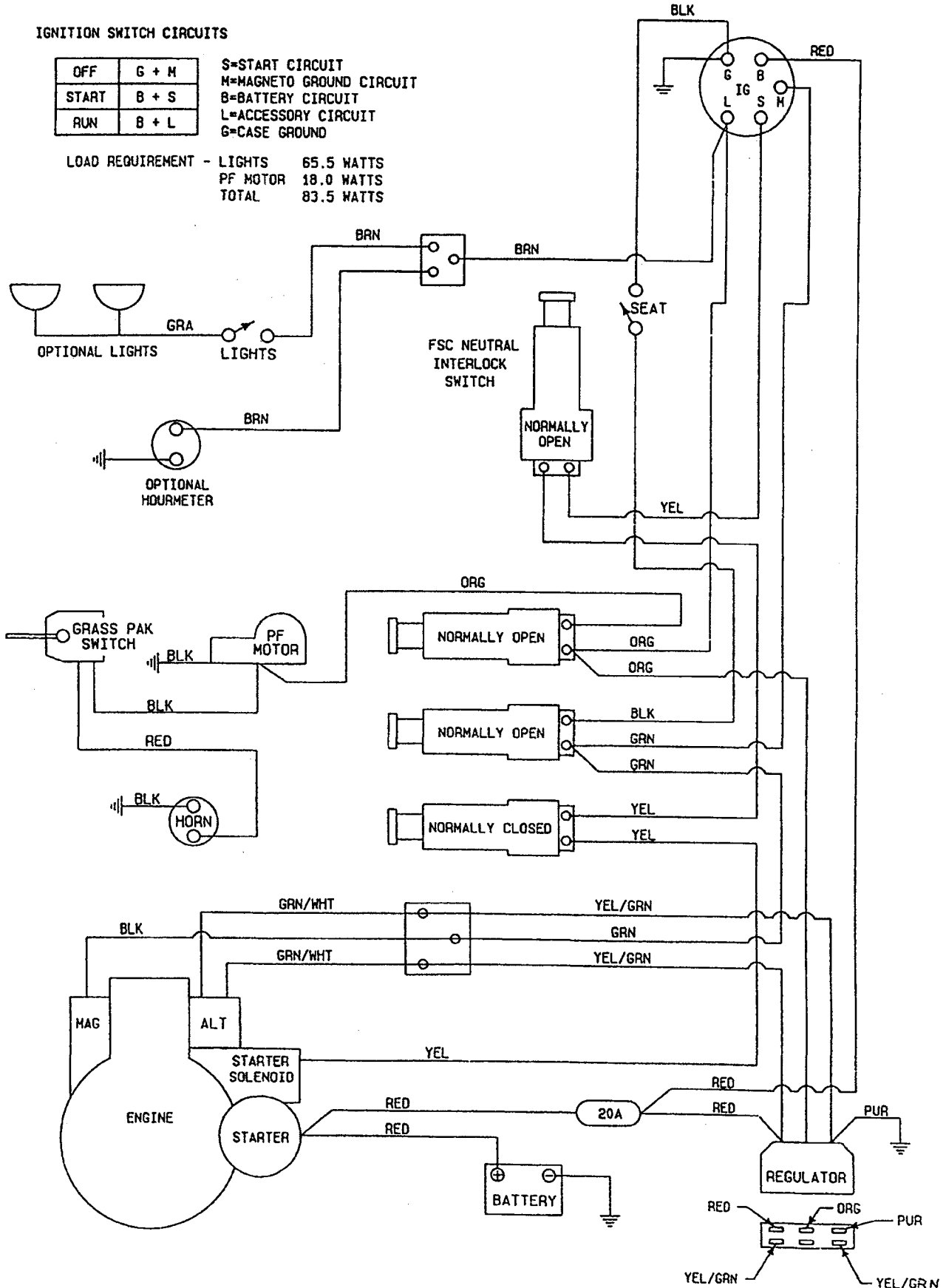


FIGURE E3 - WIRING SCHEMATIC FOR STANDARD MODEL (MS S/N 95-20381 AND ON) WITH 11-HP KAWASAKI, (#FE 350)

GHS BLOWER AND CHUTE ASSEMBLY PARTS LIST (FIGURE G1)

ITEM NO.	PART NO.	DESCRIPTION	NO. REQ'D	ITEM NO.	PART NO.	DESCRIPTION	NO. REQ'D
1	5545-2	Blower Wheel (85 & On)	1	28	5819	Decal, Blower Maintenance	1
	5545	Blower Wheel (80-84)	0	29	5530-3	Body Chute, Wide Discharge (87 & On)	1
2	5525-7	Blower Faceplate, Wide Dischrg (87 & On)	1		5530-2	Body Chute (85-86)	0
	5525-3	Blower Faceplate (85-86)	0	30	5548	Air Separator***	1
	5525-4	Blower Faceplate & 5-1/4" Intake (80-84)	0	31	5548-2	Support Plate, Air Separator***	1
3	5526-3	Blower Intake Tube, 6-1/2" (87 & On)	1	32	5541	Air Separator Gasket***	1
4	5543-3	Blower Housing Assembly (87 & On)	1	33	5818	Air Separator Decal***	1
	5543-2	Blower Housing Assembly (85-86)	0	34	5544	Air Separator Plug***	1
	5520	Blower Housing Assembly (80-84)	0	35	5546	Pressure Tube (1/4 X 5-1/2")***	1
5	5542-3	Complete Blower Assembly (87 & On)	1	36	5879-1	Hose Clamp (3/8, Air Pressure Switch)***	1
	5542-2	Complete Blower Assembly (85-86)	0	37	5535	Pressure Switch***	1
	5542-1	Complete Blower Assembly (80-84)	0	38	5960-3	Tip Protector (Pressure Port Seal)***	1
6	5268	Bearing, 3/4 Inch (Locking Collar)	2	39	5817	Switch Adjustment Decal***	1
	5265	Bearing, 3/4 Inch (Fits 80-84 Only)	0	40	5980	Wire Harness Assembly, GHS Horn***	1
7	5268-1	Bearing Locking Collar, 3/4"	2	41	5533	Cable Clamp, 1/2" X 5/16" Mount Hole***	2
8	5527-1	Skid Bar, Blower	1	42	5536	Full Signal Horn (GHS3.2)***	1
9	5527-2	Blower Mount Plate	1	43	5976	Grommet, GHS Horn***	1
10	6239	Blower Pulley, 3V (87 & On Model C)	1		F002	F002 10-24 Keps Nut	7
	5239-2	Blower Pulley, Offset Hub (84)	1		F004	F004 1/4-20 Keps Nut	9
	5239	Blower Pulley (80-84)	0		F009	F009 5/16-18 Whiz Lock Nut	1
11	5234-2	GHS PTD Belt (#6944 or B41)	1		F012	F012 3/8-16 Keps Nut	2
12	5595-2	Blower Intake Cover (Fits 5526-3)*	1		F023	F023 10-24 Elastic Stop Nut	1
13	5794	Discharge Chute Assm (6-1/2" Intake)	1		F025	F025 10-24 X 3/8 Machine Screw	2
	5750	Discharge Chute Assm (5-1/4", 80-84)	0		F032	F032 1/4-20 X 3/4 Hex Bolt	1
14	5797	Discharge Chute (Only)	1		F034	F034 5/16-18 X 3/4 Hex Bolt	1
15	5726	Chute Hinge	1		F038	F038 3/8-16 X 1 Hex Bolt	1
16	5754	Backup Plate	1		F042	F042 3/8-16 X 2-1/4 Hex Bolt	1
17	5755	Chute Lower Lip	1		F067	F067 3/16 X 3/16 X 1 Key	1
18	5358**	Brake Bar	1		F074	F074 1/4-20 X 1/4 Set Screw	2
19	5360**	Brake Mount Assembly	1		F075	F075 5/16-18 X 1/2 Sq Head Set Screw	2
20	5348**	Blower Brake Retrofit Kit, 80-86	1		F090	F090 1/4-20 X 2-1/2 Hex Bolt	1
21	5355-1**	Brake Link	1		F102	F102 10-24 X 1-1/2 Machine Screw	2
22	5355-2**	Brake Actuator Link	1		F103	F103 10-24 X 2 Machine Screw	2
23	5355-3**	Retainer Clip	1		F115	F115 #8 SAE Washer	1
24	5356**	Shoulder Bolt, Brake (10-24 X 1/4)	1		F120	F120 AN960416 Washer	5
25	5357**	Brake Actuator Arm	1		F127	F127 1/16 X 1/2 Cotter Pin	2
26	5359**	Brake Actuator Rod	1		F132	F132 1/4-20 X 2-3/4 Hex Bolt	1
27	5529**	Spring, Blower Brake	1		F133	F133 1/4 Wavy Spring Washer (Thin)	4

* Plugs Blower Intake When A Side Discharge Mower Is Installed On GHS Model

** Blower Brake Used Only On Standard Model MS With GHS Option

*** Use Only On GHS3.2 And 85-86 GHS6.7, See Figure G3 For Current GHS6.7 Full Signal Parts

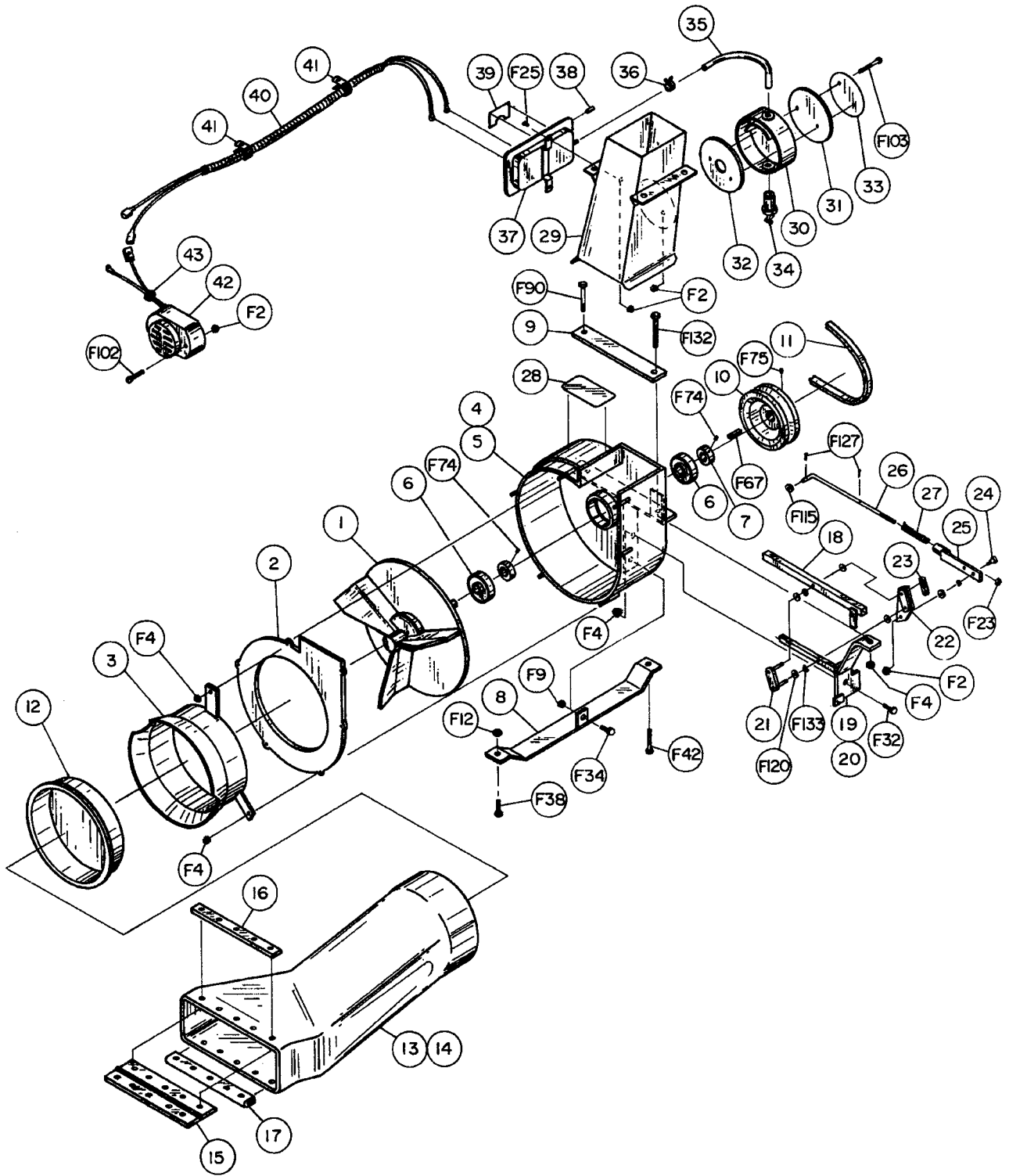


FIGURE G1 - GHS BLOWER AND CHUTE ASSEMBLY

MODEL C BLOWER PARTS LIST

ITEM NO.	PART NO.	DESCRIPTION	NO. REQ'D	ITEM NO.	PART NO.	DESCRIPTION	NO. REQ'D
1	6242	Clutch Pulley (3V4-1/2)	1	F004	F004	1/4-20 Keps Nut	8
2	6245	Idler Pulley (3V)	1	F009	F009	5/16-18 Whiz Locknut	1
3	6230-2	Engine/PTO Belt, Matched Set (3VX425)	1	F016	F016	1/2-13 Self-Locknut	1
4	6240-3	PTO Drive Pulley (3V5)**	1	F034	F034	5/16-18 X 3/4 Hex Bolt	1
5	6239	Blower Pulley (3V)**	1	F048	F048	1/2 SAE Washer	2
6	5595-2	Blower Intake Cover	1	F067	F067	3/16 X 3/16 X 1 Key	1
7	6526	Blower Intake Tube (6-1/2 x 2-1/2")	1	F075	F075	5/16-18 X 1/2 SH Set Screw	1
8	6525-2	Blower Faceplate	1	F114	F114	5/16-18 X 5/8 SH Set Screw	2
9	6545	Blower Wheel	1	F132	F132	1/4-20 X 2-3/4 Hex Bolt	2
10	5268	Bearing, 3/4" (Locking Collar)	2	F163	F163	5/16-18 X 3/4 SH Set Screw	1
11	6542	Complete Blower Assembly*		F292	F292	1/2-13 X 8-3/8 Hex Bolt Gr2	1
12	6543	Blower Housing (Includes Item # 13)	1				
13	5819	Decal, Blower Maintenance	1				
14	6300	Chassis Frame	1				
15	6346-8	PTO Belt Tightener Mount	1				
16	6528	Skid Bar, Blower Mount	1				
17	5420-2	Tail Wheel Fork	1				
18	5037-1	Bearing, Tail Wheel	2				
19	5038-1	Axle Spacer Tube	1				
20	5035	Tail Wheel & Tire Assembly	1				
	5036	Tail Wheel Only (6.50-6)*					
	5035-1	Tail Wheel Tire Only (13 x 6.50-6)*					
21	5267-1	Retainer Collar (1")	1				
22	5270-1	Pivot Bearing, Tail Wheel	2				

* Service Part Only

** Pulleys Include Set Screws

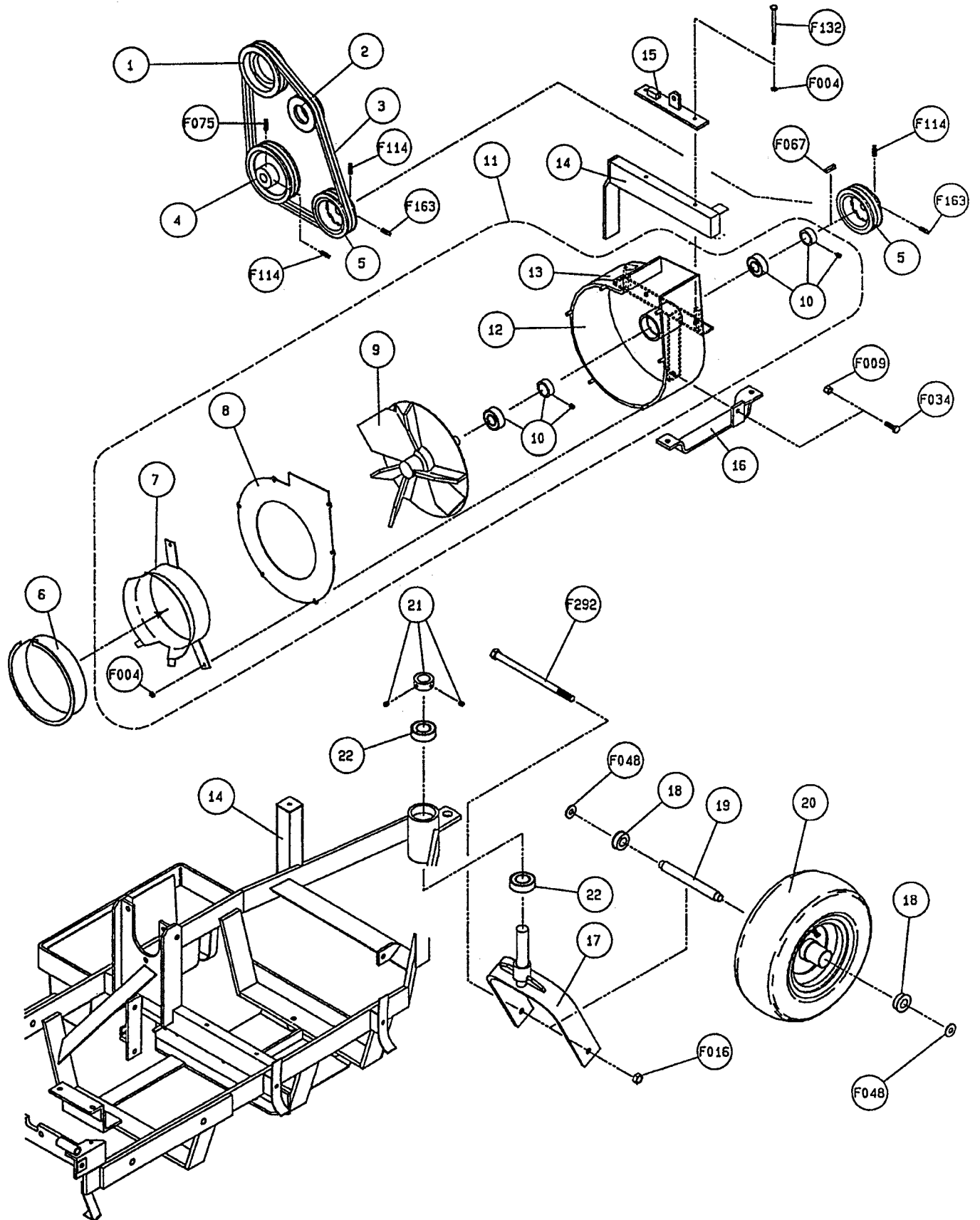


FIGURE G2 - GHS BLOWER AND CHUTE ASSEMBLY (MC)

GHS 6.7 BUSHEL CATCHER ASSEMBLY PARTS LIST (FIGURE G3)

ITEM NO.	PART NO.	DESCRIPTION	NO. REQ'D	ITEM NO.	PART NO.	DESCRIPTION	NO. REQ'D
1	5510	6.7 Bushel Catcher (Housing Incl. Door)	1	38	5985-2	Power Lead Wire, Catcher, Powerfil	1
2	5502-1	Complt Catcher Assm, Less Powerfil & Mt	0	39	5988-1	Conduit Assembly, Powerfil Wiring	1
	5502-2	Complete Catcher Assm, Less Mount	0	40	5586	Edge Molding, Baffle	1
	5502-3	Complete Catcher Assm*	0	41	5519-2	Motor Mount Washer	1
3	5512	Upper Baffle Screen	1	42	5519-3	Motor Mount Nut (5/8-24 Panel Nut)	1
4	5513	Mounting Frame Assembly, Catcher (6.7)	1	43	5557	Motor Mount, Powerfil (86 & On)	1
5	5514	Door Frame Assembly	1	44	5977	Grommet	1
6	5511-2	Delivery Chute, Wide Discharge (87 & On)	1	45	5536-1	Full Signal Horn, Panel Mount (88 & On)	1
	5511	Delivery Chute (83-86)	0	46	5975-4	Cable Tie, 50 X 11-1/4	1
7	5515-2	Elbow Delivery Spout (87 & On)	1	47	5975-1	Cable Tie, 18 X 3-1/4	1
	5515	Elbow Delivery Spout (83-86)	0	48	5522	Hinge Backup Plate	2
8	5515-3	Elbow Delivery Spout Retro Kit (83-86)**	0	49	5523	Spring Hook	2
9	5516	Bumper Assembly	1	50	5524	Hinge Bearing	2
10	5517-2	Pivot Mount Assembly (87 & On)	1	51	5587	Spring, Door Latch	2
	5517	Pivot Mount Assembly (83-86)	0	52	5588	Rubber Bumper	3
11	5518-2	Pivot Assembly, Delivery Spout (87 & On)	1		5598	6.7 Bushel Dump Bag (Nylon Fabric)	1
	5518	Pivot Assembly, Delivery Spout (83-86)	0				
12	5519	Actuator Motor (12V)	1	F002	F002	10-24 Keps Nut	32
13	5162	Anti-Skuff Roller (4")	2	F003	F003	1/4-28 Hex Nut	4
14	5815	Body Lift Decal	1	F009	F009	5/16-18 Whiz Lock Nut	4
15	5566	Tilt Stop Strap	1	F013	F013	3/8-16 Whiz Lock Nut	4
16	5577	Side Clip, Chute Mount	2	F014	F014	3/8-16 Elastic Stop Nut	2
17	5578	Rear Clip, Chute Mount	1	F020	F020	5/16-18 Elastic Stop Nut	2
18	5551-1	Pivot Bearing (#S3PP, Fits 5517-2)	2	F025	F025	10-24 X 3/8 Machine Screw	6
	5551	Pivot Bearing (Fits 5517)	0	F026	F026	10-24 X 1/2 Machine Screw	1
19	5551-3	Bearing Cap, Pivot Assembly	1	F027	F027	10-24 X 5/8 Machine Screw	5
20	5857	Wire Clamp, 1/8 J Clip	2	F035	F035	5/16-18 X 1-1/4 Hex Bolt	2
21	5592	Grass Pak Switch Assembly	1	F039	F039	3/8-16 X 1-1/4 Hex Bolt	2
22	5594	Vane Assembly, Grass Pak Switch	1	F049	F049	5/16 SAE Washer	4
23	5549	Complt Act. Rod Assm (Incl. Ball Joints)	0	F051	F051	3/8 SAE Washer	4
	5553	Actuator Rod (83-86 Model)	0	F054	F054	AN960616 Washer	2
24	5558-1	Powerfil Push Rod	1	F059	F059	3/8 Wavy Spring Washer	2
25	5558-2	Powerfil Actuator Rod	1	F078	F078	A/A64D Aluminum Pop Rivet	6
26	5552	Ball Joint (Nylon Lined, 1/4-28)	2	F079	F079	A/A66D Aluminum Pop Rivet	56
27	5553-3	Bushing, Powerfil Actuator	4	F085	F085	3/16 Rivet Backup Washer	46
28	5553-1	Spring, Powerfil Actuator	2	F086	F086	#10 SAE Washer	3
29	5554	Actuator Arm	1	F087	F087	#10 X 7/8 Washer	2
30	5984	Electric Contact Spring	2	F091	F091	5/16-18 X 5/8 Hex Bolt	4
31	5813-1	Decal, Powerfil (87 & On)	1	F101	F101	10-24 X 1-1/4 Socket Cap Head Screw	1
32	5801	GHS Decal	2	F109	F109	1/8 X 5/8 Roll Pin	1
33	5583	Dump Handle	2	F124	F124	10-32 X 3/8 Taptite Machine Screw	4
34	5584	Reinforcing Strap, Exhaust Opening	2	F126	F126	A/A610D Aluminum Pop Rivet	2
35	5982-1	Insulator Washer (Plastic, 2", Powerfil)	1	F128	F128	10-24 X 3/8 Phillips Truss Head Screw	2
36	5982-2	Insulator Bushing (Plastic, Powerfil)	1	F129	F129	10-24 X 1/2 Phillips Truss Head Screw	11
37	5983	Power Lead Wire, Body, Powerfil***	1	F130	F130	10-24 X 3/16 Set Screw	1
				F144	F144	4-40 X 1/4 Machine Screw	1
				F145	F145	4-40 Keps Nut	1
				F147	F147	10-24 X 1/2 Stainless Stl Machine Screw	2
				F148	F148	10-24 X 3/8 Stainless Stl Machine Screw	4

* Complete 6.7 Catcher Assembly (All Parts Shown By Figure G3)

** Includes New Style Elbow 5515-2 And Complete Pivot Mount Assembly

*** Use Only On Model MC With GHS6.7 Option

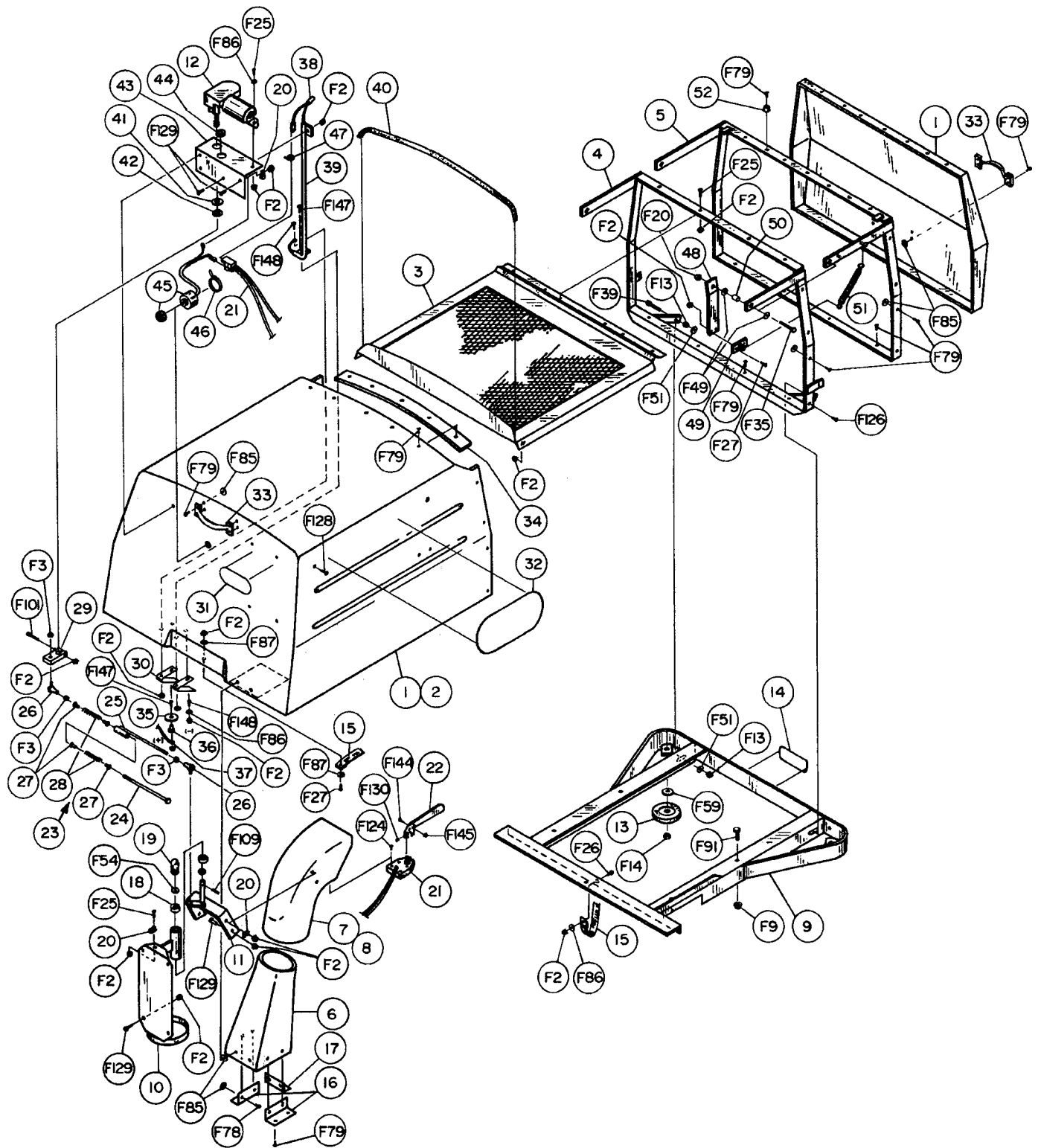


FIGURE G3 - GHS 6.7 BUSHEL CATCHER ASSEMBLY

SB36 SNOWBLOWER ASSEMBLY PARTS LIST (FIGURE S1)

ITEM NO.	PART NO.	DESCRIPTION	NO. REQ'D	ITEM NO.	PART NO.	DESCRIPTION	NO. REQ'D
1	5604	Spout Deflector (Includes Item # 2)	1	46	5800	Decal, Walker Mower	1
2	5685-1	Decal, Danger (#18093)	2	47	5615	Key Plate, Auger Shaft	1
3	5603-2	Spout	1	48	5639	Deflector Gasket	1
4	5603-6	Spout Assembly	*	49	5640	Rubber Grommet (1/4 x 3/8)	1
5	5613	Spacer Washer(1-1/16 X 1-1/2 X .155)	2	50	5643	Plastic Tip, Handle	1
6	5614	Drive Sprocket, Auger (41-35T)	1	51	5641	Handle, Deflector Position Contro	1
7	5609	Spindle Bearing & Collar (Incl. F309)	2	52	5642	Spring, Deflector Handle	1
8	5616	Handle, Spout Position Control	1	53	5618	Spout Rotation Stop	1
9	5229	Extension Spring (1/2 X 2-1/4)	1	54	5611-1	Skid Shoe Kit	**
10	5617-1	Spout Discharge Guard	1	55	5611	Skid Shoe	*
11	5608	Auger Shaft (1 X 35-1/2)	1				
12	5602	Auger	1	F004	F004	1/4-20 Keps Nut	7
13	5602-4	Auger Assembly (Incl. Item # 6, 7, 11, 12, 14, F034 & F168)	*	F005	F005	1/4-20 ESNA Nut	3
14	5612	Bearing Retainer Plate	1	F009	F009	5/16-18 Whiz Locknut	7
15	5841	Retainer Washer	2	F012	F012	3/8-16 Keps Nut	2
16	5843-2	Spacer Washer	1	F020	F020	5/16-18 ESNA Nut	6
17	5626-2	Chain Tension Block	1	F029	F029	1/4-20 X 1/2 Hex Bolt	3
18	5747-5	Safety Tread (6 X 11-1/2)	2	F031	F031	1/4-20 X 5/8 Hex Bolt	2
19	5607	Cover (Includes Item # 18)	1	F032	F032	1/4-20 X 3/4 Hex Bolt	2
20	5850-1	Handle Grip	1	F034	F034	5/16-18 X 3/4 Hex Bolt	14
21	5610	Scraper Blade	1	F035	F035	5/16-18 X 1-1/4 Hex Bolt	2
22	5601	Housing and Frame (Includes Item # F004 & F172)	1	F039	F039	3/8-16 X 1-1/4 Hex Bolt	2
23	5685-2	Decal, Caution (#9713)	1	F049	F049	5/16 SAE Washer	4
24	5622	Drive Chain (#420 X 66)	1	F050	F050	1/4 SAE Washer	1
25	5233	Transmission Sprocket (41-10T)	1	F061	F061	1/4 Internal Star Lock Washer	5
26	5268	Bearing, 3/4" (Incl. Locking Collar)	2	F064	F064	1/8 X 1/2 Woodruff Key (#3)	1
27	5606	Chain Guard	1	F065	F065	3/16 X 3/4 Woodruff Key (#9)	2
28	5635	Drive Shaft (3/4 X 14-1/8)	1	F067	F067	3/16 X 3/16 X 1 Key	1
29	5052-3	Washer, Oblong	2	F069	F069	3/32 X 1/2 Cotter Pin	4
30	5655	Lift Chain (4-1/2)	2	F074	F074	1/4-20 X 3/8 Set Screw	3
31	5830	Grease Fitting	7	F076	F076	3/8-16 X 5/8 SQH Set Screw	1
32	5628-2	Lift Bracket	2	F091	F091	5/16-18 X 5/8 Hex Bolt	3
33	5654	Lift Trigger	1	F093	F093	5/16-18 X 1 Hex Bolt	2
34	5227-1	Extension Spring (1/2 X 4)	1	F110	F110	5/16-18 X 1/2 Set Screw	2
35	5653	Chain Shackles (5/16) (Includes Item # F069)	4	F111	F111	1/8 X 3/4 Cotter Pin	1
36	5743-2	Counterweight Spring (1-1/2 X 7-3/4)	2	F134	F134	AN960816L Washer	4
37	5747-4	Safety Tread (3-1/4 X 4-1/2)	2	F168	F168	5/16 Split Lock Washer	14
38	5630	Flex Coupling Half, 3/4" Bore (Includes Item # F110)	1	F170	F170	5/16 X 1 X 7/64 Washer, Zinc Plat	2
39	5632	Spider, Flexible Coupling	1	F172	F172	1/4-20 X 3/4 Carriage Bolt	7
40	5631	Flex Coupling Half, 7/8" Bore (Includes Item # F110)	1	F173	F173	5/16-18 X 3/4 Carriage Bolt	4
41	5629-1	Wheel Bracket	2	F174	F174	1/2-13 X 1-1/4 Hex Bolt	2
42	5629-2	Gauge Wheel	2	F175	F175	1/2 Split Lock Washer	2
43	5050-1	Right Angle Gearbox	1	F176	F176	#14 X 1/2 Sheet Metal Screw	6
44	5624	PTO Shaft (Includes Item # F076)	1	F177	F177	5/16 X 1-1/2 Fender Washer	2
45	5605	Auger Guard	2	F178	F178	1/4 X 1 Fender Washer	6
				F208	F208	5/16-18 X 2-1/4 Hex Bolt	1
				F209	F209	.765 X 1.312 X .032 Washer	4
				F236	F236	1/4-20 X 1-3/4 Hex Bolt	1
				F309	F309	1/4-28 X 1/4 Knurled Cup Set Scre	2
				F310	F310	5/16 X 1-1/8 x 3/16 Washer	1

* Service Part Only

** Skid Shoe Kit

(Optional, Not Incl., Replaces P/N 5629-2)

5611 Skid Shoe 2

F009 5/16-18 Whiz Locknut 6

F169 5/16-18 X 1 Carriage Bolt 6

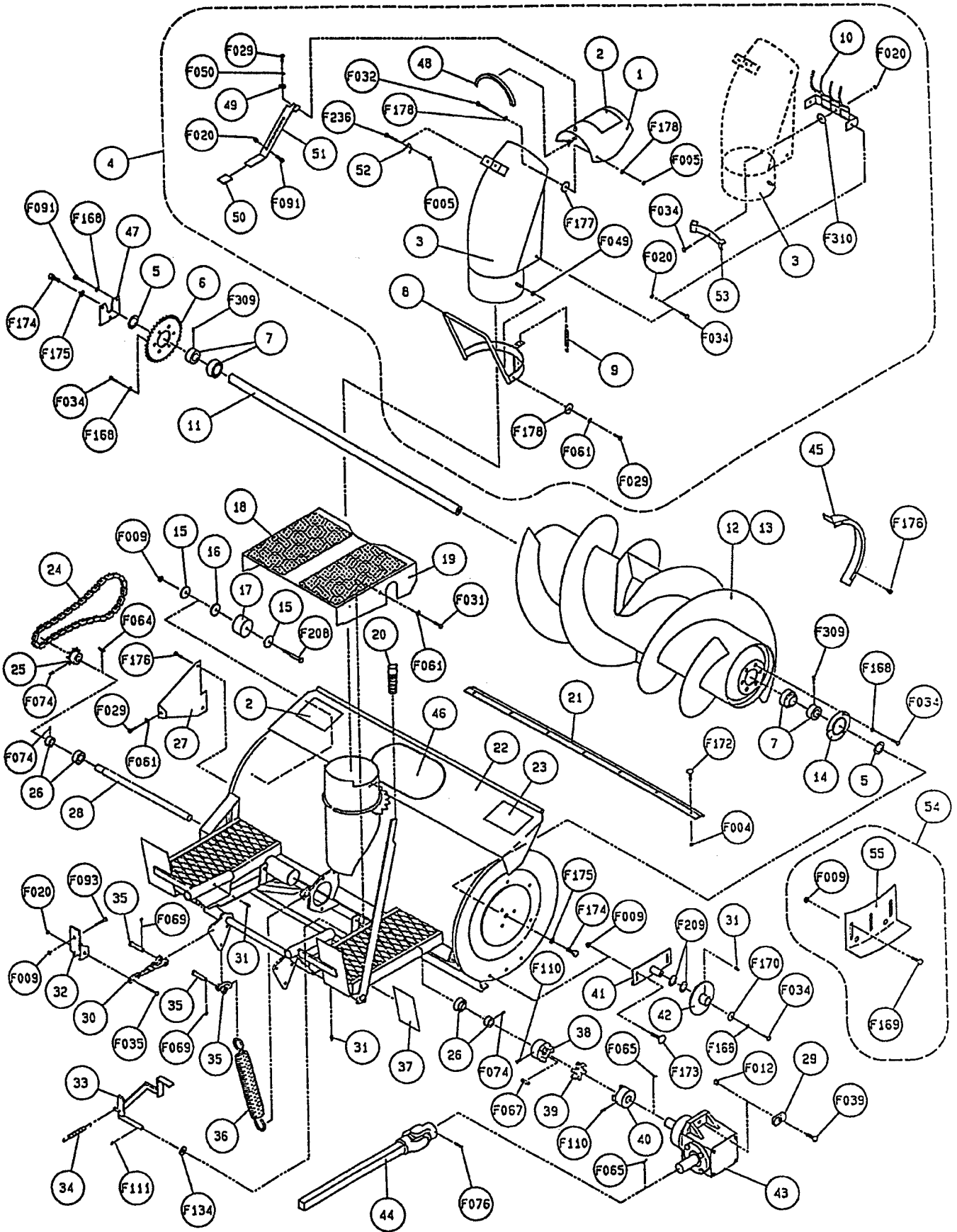
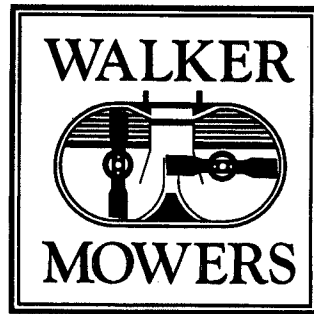


FIGURE S1 - SB36 SNOWBLOWER ASSEMBLY



WALKER MFG. CO. • 5925 E. HARMONY ROAD, FORT COLLINS, CO 80525 • (970) 221-5614

FORM NO. 120195

PRINTED IN USA

©WALKER MFG. CO.