

GN032 | Bicycle Handlebar Mount for Garmin® GPS



GN032
Bicycle Handlebar Mount

Fits handlebars up to 33mm diameter. Compatible with most straight, drop, trekking, touring, and standard (25.4mm and 26mm) size handlebars. Also for use with golf carts, ATVs, snowmobiles, hang gliders or other apparatus having cylinder-shaped frames or posts.

Package Contents:

- (1) GN032 - Bicycle handlebar mount with 17mm ball

Compatible with:

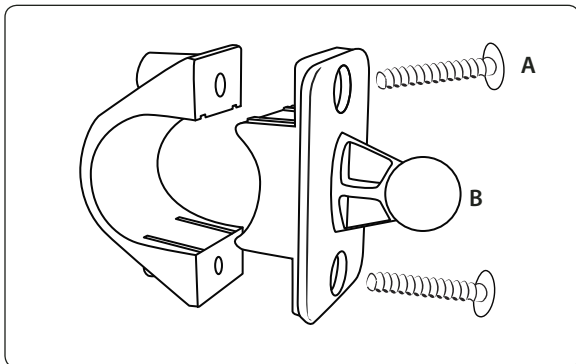
- Most Garmin 17mm ball connections (See website for full list)



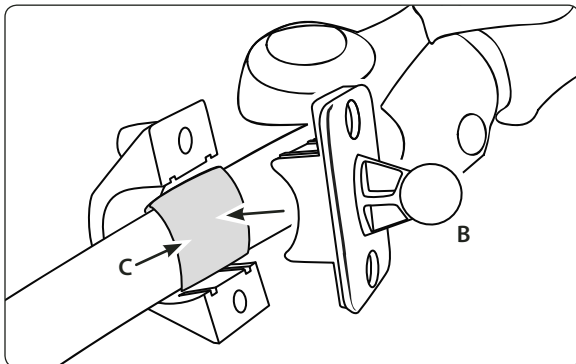
Precaution: Arkon strongly recommends using a securing strap to provide extra protection for your device. Failure to do so may result in damage to your device. Do not operate portable devices while riding. Arkon Resources, Inc. assumes no liability for safety of bicycle rider or portable device.

Bicycle Handlebar Mounting

- Step 1. Choose a safe location on the handlebars of your bicycle in which to mount the pedestal.
- Step 2. Using a screwdriver, remove the two mounting screws (A) in order to release the 17mm ball plate (B) so the mount can be placed around the handlebars.

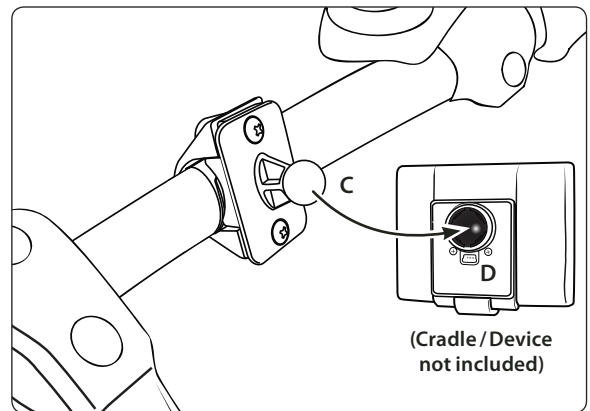


- Step 3. Wrap the rubber rings (C) around the handlebar and reassemble the 17mm ball plate (B) around the rubber rings. Secure the mount assembly by using the screwdriver to retighten the two mounting screws.



Attaching a Garmin Device to Pedestal

- Step 1. Attach your Garmin device (not included, sold separately) to the ball head by firmly inserting the ball head (C) into the cavity (D) in the back of the device.



Garmin brand name and Nüvi and StreetPilot product names are trademarks or registered trademarks of Garmin International. Arkon Resources, Inc. is not affiliated with Garmin Intl.



Safety Precautions

Do not reposition the pedestal while cycling or driving. Arkon Resources, Inc. does not promote the adjustment of mobile devices except when the bicycle or vehicle is safely parked or stopped.

Arkon is not responsible for any damages caused to your bicycle, your device, or yourself due to the installation or use of this product.

ARKON[®]
RESOURCES INC. The Mobile Mounting Specialists™

Consumer Hotline:

USA (800) 841-0884

INT'L (626) 254-9005

Monday - Friday 9am - 5pm, PST

www.arkon.com

Arcadia, CA 91006 USA

Designed in USA | Made in China

© Copyright 2010 Arkon Resources, Inc.