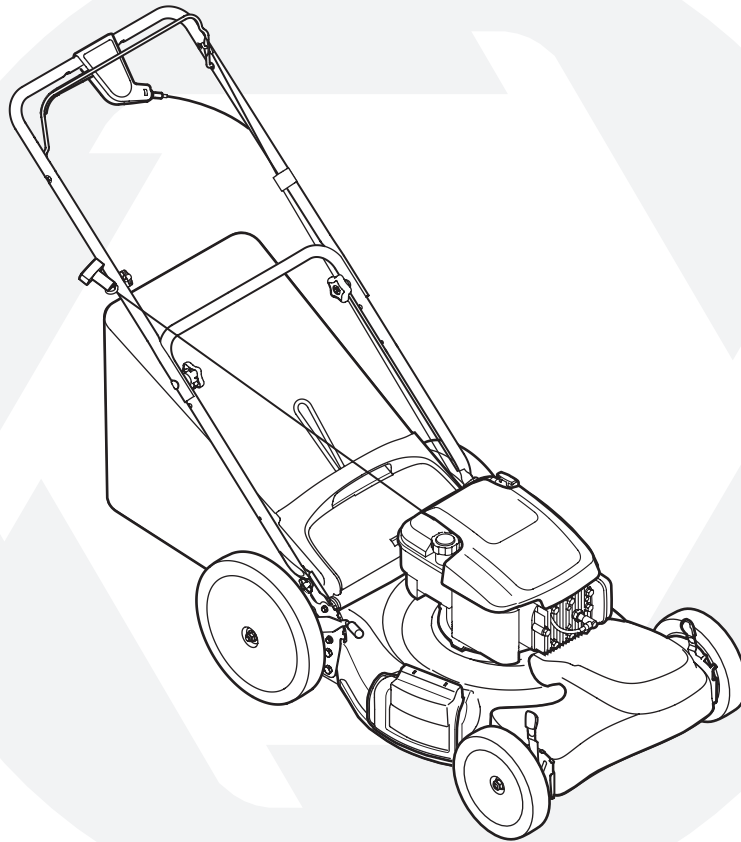


# OPERATOR'S MANUAL

# **TROY-BILT**<sup>®</sup>



## 21-inch Self-Propelled Mulching Mower — Model Series V560

### IMPORTANT

#### READ SAFETY RULES AND INSTRUCTIONS CAREFULLY BEFORE OPERATION

**Warning:** This unit is equipped with an internal combustion engine and should not be used on or near any unimproved forest-covered, brush-covered or grass-covered land unless the engine's exhaust system is equipped with a spark arrester meeting applicable local or state laws (if any). If a spark arrester is used, it should be maintained in effective working order by the operator. In the State of California the above is required by law (Section 4442 of the California Public Resources Code). Other states may have similar laws. Federal laws apply on federal lands. A spark arrester for the muffler is available through your nearest engine authorized service dealer or contact the service department, P.O. Box 361131 Cleveland, Ohio 44136-0019.

---

This Operator's Manual is an important part of your new lawn mower. It will help you assemble, prepare, and maintain the unit for best performance. Please read and understand what it says.

## Table of Contents

Slope Gauge.....	3	Troubleshooting.....	12
Safe Operation Practices .....	4	Off-Season Storage and Safety Labels .....	13
Setup and Adjustment .....	6	Parts List .....	14
Operating Your Lawn Mower.....	8	Warranty .....	18
Maintaining Your Lawn Mower.....	10	Español.....	19

Troy-Bilt LLC reserves the right to change product specifications, designs, and equipment without notice and without incurring obligation.

---

## Finding and Recording Model Number

BEFORE ASSEMBLING YOUR NEW EQUIPMENT, please locate the model plate on the equipment and copy the information to the sample model plate provided to the right. You can locate the model plate by standing at the operating position and looking down at the rear of the deck. This information will be necessary to use the manufacturer's web site, to obtain assistance from the Customer Support Department, or when contacting an authorized service dealer.

  
www.troybilt.com

**TROY-BILT LLC**  
P. O. BOX 361131  
CLEVELAND, OH 44136  
**330-558-7220**  
**800-828-5500**

---

## Customer Support

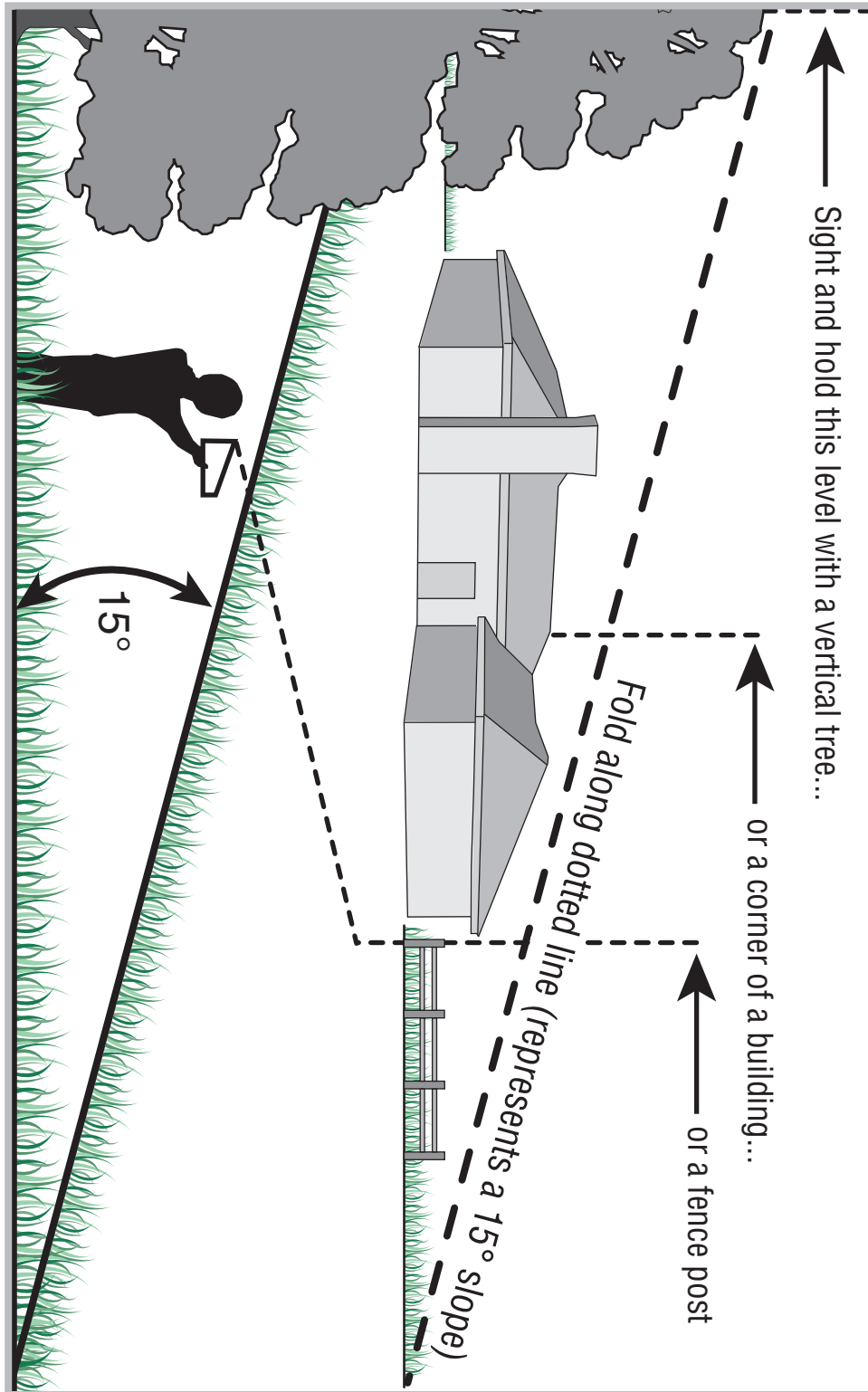
**Please do *NOT* return the unit to the retailer from which it was purchased, without first contacting Customer Support.**

If you have difficulty assembling this product or have any questions regarding the controls, operation, or maintenance of this unit, you can seek help from the experts. Choose from the options below:

- Visit [www.troybilt.com](http://www.troybilt.com)
- Phone a Customer Support Representative at **1-800-828-5500**. Spanish speaking agents are available.
- The engine manufacturer is responsible for all engine-related issues with regard to performance, power-rating, specifications, warranty, and service. Please refer to the engine manufacturer's Owner's/Operator's Manual, packed separately with your unit, for more information.

Use this page as a guide to determine slopes where you may not operate safely.

**Do not operate** your lawn mower on such slopes.



# 1

## Slope Gauge



### WARNING

Do not mow on inclines with a slope in excess of 15 degrees (a rise of approximately 2-1/2 feet every 10 feet).

Operate WALK-BEHIND mowers across the face of slopes, never up and down slopes.

# 2

## Safe Operation Practices



### WARNING

This symbol points out important safety instructions which, if not followed, could endanger the personal safety and/or property of yourself and others. Read and follow all instructions in this manual before attempting to operate this machine. Failure to comply with these instructions may result in personal injury. When you see this symbol.

#### HEED ITS WARNING!

**Your Responsibility**  
Restrict the use of this power machine to persons who read, understand and follow the warnings and instructions in this manual and on the machine.



**WARNING:** Engine Exhaust, some of its constituents, and certain vehicle components contain or emit chemicals known to State of California to cause cancer and birth defects or other reproductive harm.

**DANGER:** This machine was built to be operated according to the rules for safe operation in this manual. As with any type of power equipment, carelessness or error on the part of the operator can result in serious injury. This machine is capable of amputating hands and feet and throwing objects. Failure to observe the following safety instructions could result in serious injury or death.

### Children

Tragic accidents can occur if operator is not alert to presence of children. Children are often attracted to mower and mowing activity. They do not understand the dangers. Never assume that children will remain where you last saw them.

1. Keep children out of the mowing area and under watchful care of a responsible adult other than the operator.
2. Be alert and turn mower off if a child enters the area.
3. Before and while moving backwards, look behind and down for small children.
4. Use extreme care when approaching blind corners, doorways, shrubs, trees, or other objects that may obscure your vision of a child who may run into the mower.
5. Keep children away from hot or running engines. They can suffer burns from a hot muffler.
6. Never allow children under 14 years old to operate a power mower. Children 14 years old and over should read and understand operation instructions and safety rules in this manual and should be trained and supervised by a parent.

### General Operation

1. Read this operator's manual carefully in its entirety before attempting to assemble this machine. Read, understand, and follow all instructions on the machine and in the manual(s) before operation. Be completely familiar with the controls and the proper use of this machine before operating it. Keep this manual in a safe place for future and regular reference and for ordering replacement parts.
2. This machine is a precision piece of power equipment, not a plaything. Therefore, exercise extreme caution at all times. Your unit has been designed to perform one job: to mow grass. Do not use it for any other purpose.
3. Never allow children under 14 years old to operate this machine. Children 14 years old and over should read and understand the instructions in this manual and should be trained and supervised by a parent. Only responsible individuals who are familiar with these rules of safe operation should be allowed to use this machine.
4. Thoroughly inspect the area where the equipment is to be used. Remove all stones, sticks, wire, bones, toys and other foreign objects, which could be tripped over or picked up and thrown by the blade. Thrown objects can cause serious personal injury. Plan your mowing pattern to avoid discharge of material toward roads, sidewalks, bystanders and the like. Also, avoid discharging material against a wall or obstruction, which may cause discharged material to ricochet back toward the operator.
5. To help avoid blade contact or a thrown object injury, stay in operator zone behind handles and keep children, bystanders, helpers and pets at least 75 feet from mower while it is in operation. Stop machine if anyone enters area.
6. Always wear safety glasses or safety goggles during operation and while performing an adjustment or repair to protect your eyes. Thrown objects which ricochet can cause serious injury to the eyes.
7. Wear sturdy, rough-soled work shoes and close-fitting slacks and shirts. Shirts and pants that cover the arms and legs and steel-toed shoes are recommended. Never operate this machine in bare feet, sandals, slippery or light-weight (e.g. canvas) shoes.
8. Do not put hands or feet near rotating parts or under cutting deck. Contact with blade can amputate hands and feet.
9. A missing or damaged discharge cover can cause blade contact or thrown object injuries.
10. Many injuries occur as a result of the mower being pulled over the foot during a fall caused by slipping or tripping. Do not hold on to the mower if you are falling; release the handle immediately.
11. Never pull the mower back toward you while you are walking. If you must back the mower away from a wall or obstruction first look down and behind to avoid tripping and then follow these steps:
  - a. Step back from mower to fully extend your arms.
  - b. Be sure you are well balanced with sure footing.
  - c. Pull the mower back slowly, no more than half way toward you.
  - d. Repeat these steps as needed.
12. Do not operate the mower while under the influence of alcohol or drugs.
13. Do not engage the self-propelled mechanism on units so equipped while starting engine.
14. The blade control handle is a safety device. Never attempt to bypass its operation. Doing so makes the safety device inoperative and may result in personal injury through contact with the rotating blade. The blade control handle must operate easily in both directions and automatically return to the disengaged position when released.
15. Never operate the mower in wet grass. Always be sure of your footing. A slip and fall can cause serious personal injury. If you feel you are losing your footing, release the blade control handle immediately and the blade will stop rotating within three seconds.
16. Mow only in daylight or good artificial light. Walk, never run.
17. Stop the blade when crossing gravel drives, walks or roads.
18. If the equipment should start to vibrate abnormally, stop the engine and check immediately for the cause. Vibration is generally a warning of trouble.

19. Shut the engine off and wait until the blade comes to a complete stop before removing the grass catcher or unclogging the chute.

The cutting blade continues to rotate for a few seconds after the engine is shut off. Never place any part of the body in the blade area until you are sure the blade has stopped rotating.

20. Never operate mower without proper trail shield, discharge cover, grass catcher, blade control handle or other safety protective devices in place and working. Never operate mower with damaged safety devices. Failure to do so can result in personal injury.
21. Muffler and engine become hot and can cause a burn. Do not touch.
22. Only use parts and accessories made for this machine by manufacturer. Failure to do so can result in personal injury.
23. If situations occur which are not covered in this manual, use care and good judgment. Contact your dealer for assistance.

## Slope Operation

Slopes are a major factor related to slip and fall accidents, which can result in severe injury. Operation on slopes requires extra caution. If you feel uneasy on a slope, do not mow it. For your safety, use the slope gauge included as part of this manual to measure slopes before operating this unit on a sloped or hilly area. If the slope is greater than 15 degrees, do not mow it.

### Do:

1. Mow across the face of slopes; never up and down. Exercise extreme caution when changing direction on slopes.
2. Watch for holes, ruts, rocks, hidden objects, or bumps which can cause you to slip or trip. Tall grass can hide obstacles.
3. Always be sure of your footing. A slip and fall can cause serious personal injury. If you feel you are losing your balance, release the blade control handle immediately, and the blade will stop rotating within 3 seconds.

### Do Not:

1. Do not mow near drop-offs, ditches or embankments, you could lose your footing or balance.
2. Do not mow slopes greater than 15 degrees as shown on the slope gauge.
3. Do not mow on wet grass. Unstable footing could cause slipping.

## Service

### Safe Handling Of Gasoline:

1. To avoid personal injury or property damage use extreme care in handling gasoline. Gasoline is extremely flammable and the vapors are explosive. Serious personal injury can occur when gasoline is spilled on yourself or your clothes, which can ignite. Wash your skin and change clothes immediately.
2. Use only an approved gasoline container.
3. Never fill containers inside a vehicle or on a truck or trailer bed with a plastic liner. Always place containers on the ground away from your vehicle before filling.
4. Remove gas-powered equipment from the truck or trailer and refuel it on the ground. If this is not possible, then refuel such equipment on a trailer with a portable container, rather than from a gasoline dispenser nozzle.
5. Keep the nozzle in contact with the rim of the fuel tank or container opening at all times until fueling is complete. Do not use a nozzle lock-open device.

6. Extinguish all cigarettes, cigars, pipes and other sources of ignition.
7. Never fuel machine indoor because flammable vapors will accumulate in the area.
8. Never remove gas cap or add fuel while engine is hot or running. Allow engine to cool at least two minutes before refueling.
9. Never over fill fuel tank. Fill tank to no more than 1/2 inch below bottom of filler neck to provide for fuel expansion.
10. Replace gasoline cap and tighten securely.
11. If gasoline is spilled, wipe it off the engine and equipment. Move unit to another area. Wait 5 minutes before starting engine.
12. Never store the machine or fuel container near an open flame, spark or pilot light as on a water heater, space heater, furnace, clothes dryer or other gas appliances.
13. To reduce fire hazard, keep mower free of grass, leaves, or other debris build-up. Clean up oil or fuel spillage and remove any fuel soaked debris.
14. Allow a mower to cool at least 5 minutes before storing.

### General Service:

1. Never run an engine indoors or in a poorly ventilated area. Engine exhaust contains carbon monoxide, an odorless and deadly gas.
2. Before cleaning, repairing, or inspecting, make certain the blade and all moving parts have stopped. Disconnect the spark plug wire and ground against the engine to prevent unintended starting.
3. Check the blade and engine mounting bolts at frequent intervals for proper tightness. Also, visually inspect blade for damage (e.g., bent, cracked, worn) Replace blade with the original equipment manufacturer's (O.E.M.) blade only, listed in this manual. "Use of parts which do not meet the original equipment specifications may lead to improper performance and compromise safety!"
4. Mower blades are sharp and can cut. Wrap the blade or wear gloves, and use extra caution when servicing them.
5. Keep all nuts, bolts, and screws tight to be sure the equipment is in safe working condition.
6. Never tamper with safety devices. Check their proper operation regularly.
7. After striking a foreign object, stop the engine, disconnect the spark plug wire and ground against the engine. Thoroughly inspect the mower for any damage. Repair the damage before starting and operating the mower.
8. Never attempt to make a wheel or cutting height adjustment while the engine is running.
9. Grass catcher components, discharge cover, and trail shield are subject to wear and damage which could expose moving parts or allow objects to be thrown. For safety protection, frequently check components and replace immediately with original equipment manufacturer's (O.E.M.) parts only, listed in this manual. "Use of parts which do not meet the original equipment specifications may lead to improper performance and compromise safety!"
10. Do not change the engine governor setting or over-rev the engine. The governor controls the maximum safe operating speed of the engine.
11. Maintain or replace safety labels, as necessary.
12. Observe proper disposal laws and regulations. Improper disposal of fluids and materials can harm the environment.

# 2

## Safe Operation Practices



### WARNING

This symbol points out important safety instructions, which if not followed, could endanger the personal safety and/or property of yourself and others. Read and follow all instructions in this manual before attempting to operate this machine. Failure to comply with these instructions may result in personal injury. When you see this symbol.

**HEED IT'S WARNING!**

### Your Responsibility

Restrict the use of this power machine to persons who read, understand and follow the warnings and instructions in this manual and on the machine.



# 3

## Setup and Adjustment



NOTE: Stand behind the mower as if you were going to operate it. Your right hand corresponds to the right side of the mower; your left hand corresponds to the left side of the mower.

**IMPORTANT**  
DO NOT crimp the cables when lifting the handle up. Make sure to route the cables under the lower handle.

NOTE: This Operator's Manual covers several models. Lawn Mower features vary by model. Not all features discussed (or engines pictured) in this manual are applicable to all Lawn Mower models.

**IMPORTANT**  
This unit is shipped without gasoline or oil in the engine. Fill up gasoline and oil as instructed in the accompanying engine manual **BEFORE** operating your mower.

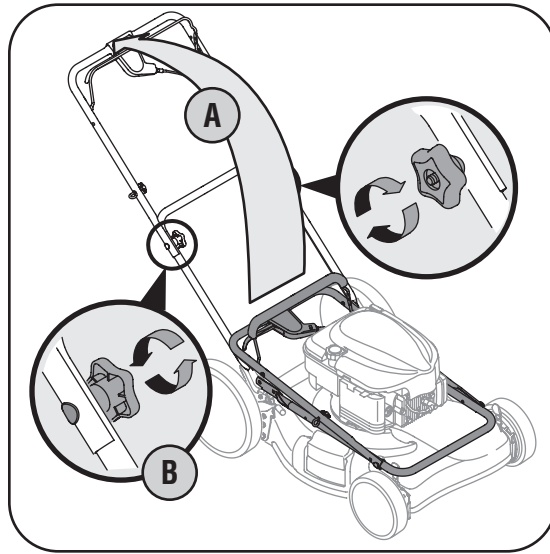


Figure 3-1

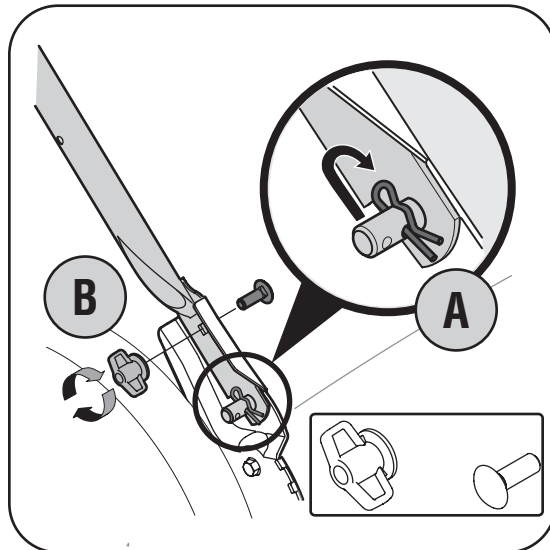


Figure 3-2

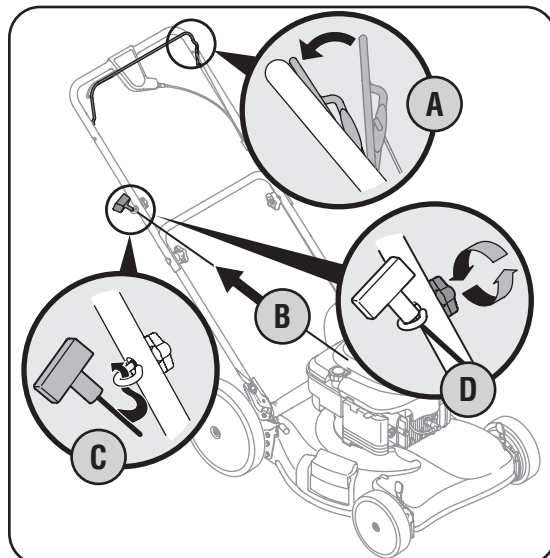


Figure 3-3

1. Remove any packing material which may be between upper and lower handles.
  - a. Pull up and back on upper handle as shown in Figure 3-1. Make certain the lower handle is seated securely into the handle mounting brackets.
  - b. Tighten star knobs securing upper handle to lower handle. Make sure that each carriage bolt is seated properly in the handle.
2. Locate hairpin clip on the weld pin on each side of lower handle.
  - a. Remove hairpin clip from this hole. Using a pair of pliers, insert hairpin clip into the other hole on the weld pin. Repeat on other side. See Figure 3-2.
  - b. Insert a carriage bolt from the hardware pack into the upper hole on the handle mounting bracket. Secure with one plastic wing nut, also included in the hardware pack. Repeat on other side.
3. The rope guide is attached to the right side of the upper handle. Loosen the wing nut which secures the rope guide.
  - a. Hold the blade control against upper handle.
  - b. Pull starter rope out of the engine. Release the blade control. See Figure 3-3.
  - c. Slip starter rope into rope guide.
  - d. Tighten wing nut.Insert post on cable ties into holes provided on the lower handle. Pull cable tie tight around cables and handle and trim excess.
4. Follow steps below to assemble the grass catcher:
  - a. Place bag over frame so that its black plastic side is at the bottom.
  - b. Slip plastic channel of grass bag over hooks on the frame. See Figure 3-4. All plastic channels except center top of bag attach from outside of bag.
  - c. Attach center top of bag from inside of bag.

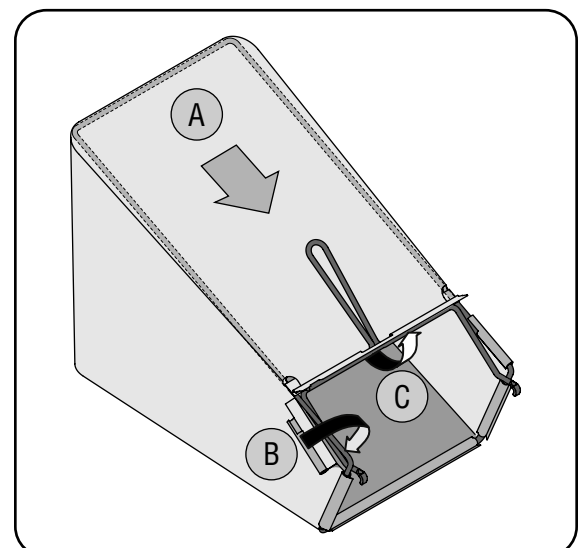


Figure 3-4

5. Follow steps below to attach grass catcher:
  - a. Lift rear discharge door.
  - b. Place grass catcher on the pivot rod. Let go of discharge door so that it rests on the grass catcher. See Figure 3-5.

**WARNING:** Never operate mower unless the hooks on the grass catcher are firmly seated on the pivot rod and the rear discharge door rests firmly against top of the grass catcher.

To remove grass catcher or convert to a mulcher (if equipped), lift rear discharge door on the mower. Lift grass catcher up and off of the pivot rod. Release rear discharge door to allow it to close rear opening of mower.

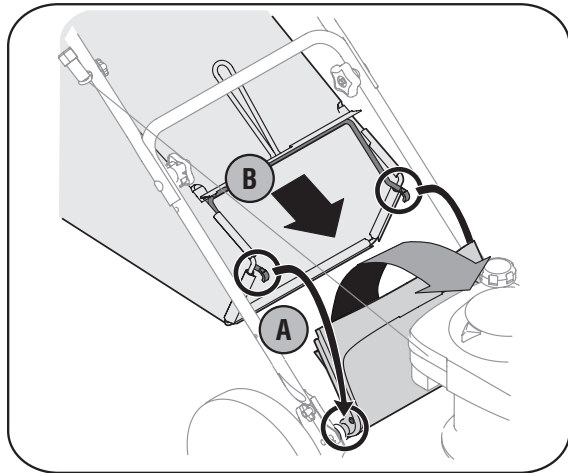


Figure 3-5

6. If converting to side discharge, make sure grass catcher is off unit and rear discharge door is closed.
  - a. Lift mulching plug on the right side of mower.
  - b. Slide two hooks of side discharge chute under the hinge pin on the mulching plug assembly and lower the side mulching plug. See Figure 3-6.

**NOTE:** Do not remove the side mulching plug at any time, even when you are not mulching.

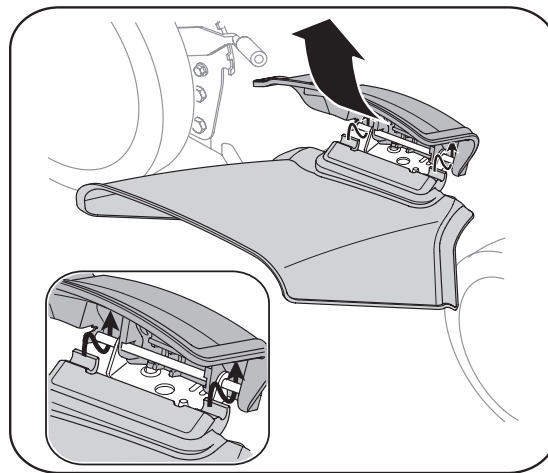


Figure 3-6

## Adjustments

### Cutting Height

A cutting height adjustment lever is located at each wheel. See Figure 3-7.

- a. Pull the lever out and away from the mower.
- b. Move the lever forward or back for desired cutting height.
- c. Release lever towards mower deck.

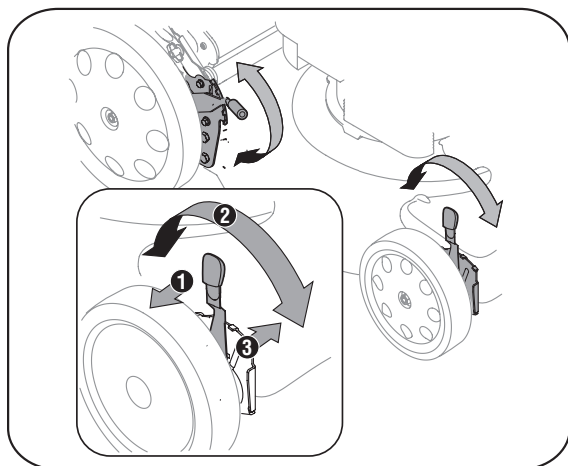


Figure 3-7

### Drive Control

The adjustment wheel is located in the drive control handle housing and is used to tighten or loosen the drive belt. You will need to adjust the drive control if the mower does not propel itself with the drive control engaged or if the mower's wheels hesitate with the drive control engaged. If either of these conditions occur, rotate adjustment wheel clockwise to tighten cable or counterclockwise to loosen the cable. See Figure 3-8.

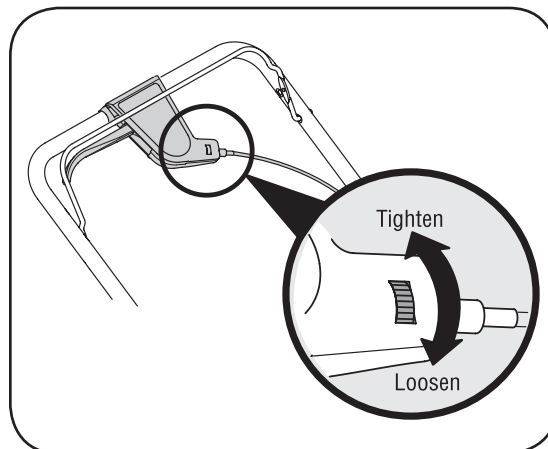


Figure 3-8

# 3

## Setup and Adjustment



### CUTTING HEIGHT

All wheels must be placed in the same position.

### GRASS CATCHER

Make certain bag is turned right side out before assembling (warning label will be on the outside).



## WARNING

Never operate mower unless the hooks on the grass catcher are firmly seated on the pivot rod and the rear discharge door rests firmly against top of the grass catcher.

# 4

## Operating Your Lawn Mower



### WARNING

The blade control mechanism is a safety device. Never attempt to bypass its operations.

Use extreme care when handling gasoline. Gasoline is extremely flammable and the vapors are explosive. Never fuel the machine indoors or while the engine is hot or running. Extinguish cigarettes, cigars, pipes and other sources of ignition.

Keep hands and feet away from the chute area on cutting deck. Refer to warning label on the unit.

## Know Your Lawn Mower

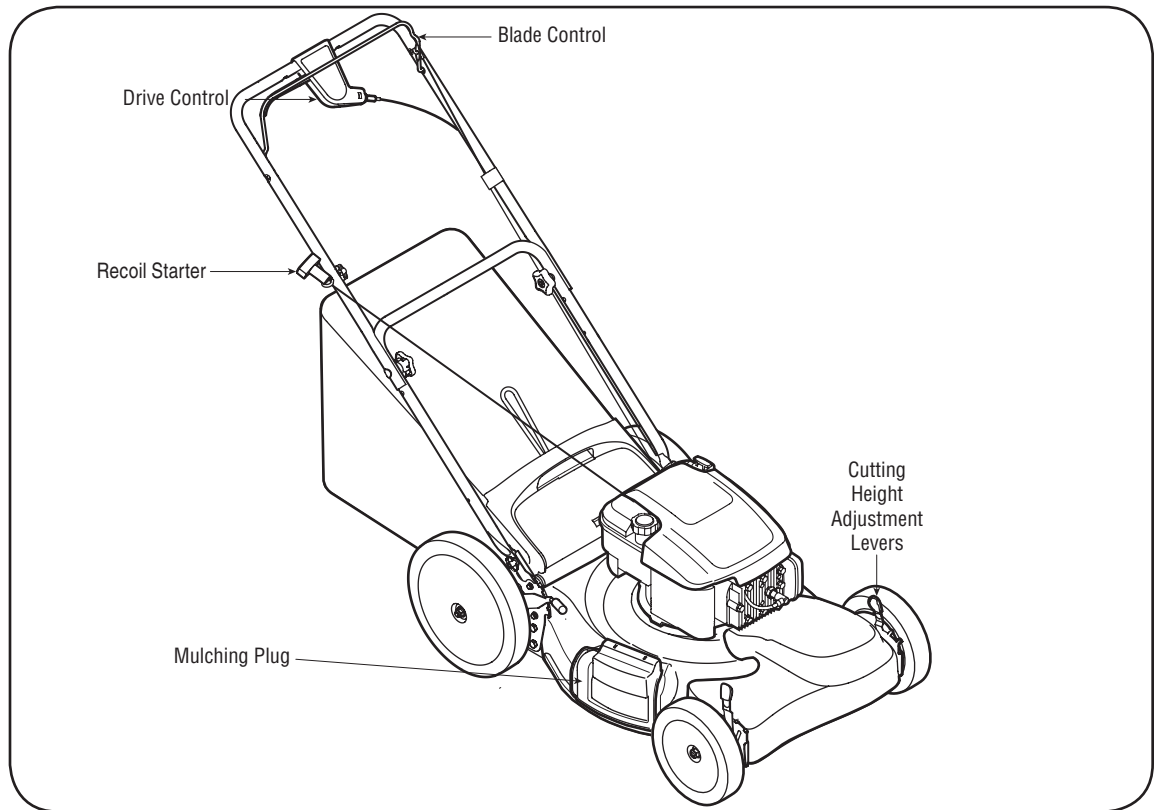


Figure 4-1

Now that you have set up your lawn mower for operation, get acquainted with its controls and features. These are described below and illustrated on this page. This knowledge will allow you to use your new equipment to its fullest potential.

### Blade Control

The blade control is attached to the upper handle of the mower. Depress and squeeze it against the upper handle to operate the unit. Release it to stop engine and blade.



**WARNING:** This blade control mechanism is a safety device. Never attempt to bypass its operations.

### Drive Control

The drive control is located on the underside of the upper handle and is used to engage the drive. Squeeze it against the upper handle to engage the drive; release it to slow down or stop mower from propelling. See Figure 1.

### Mulching Plug

The mulching plug is used only for mulching purposes. Instead of collecting the grass clippings in the grass catcher, your mower has the option of recirculating the clippings back to the lawn. Make sure that the rear discharge door is closed and the grass catcher is removed from unit while mulching.

### Cutting Height Adjustment Levers

One adjustment lever is located on each wheel and is used to adjust the cutting height. All four levers have to be at the same relative position to ensure a uniform cut.

### Recoil Starter

The recoil starter is attached to the right upper handle. Stand behind the unit and pull the recoil starter rope to start the unit.

### Gas and Oil Fill-Up

1. Check oil level and add oil if necessary. Follow engine manual for this.
2. Service the engine with gasoline as instructed in the engine manual. See Engine manual for location of oil and gas fill.



**WARNING:** Use extreme care when handling gasoline. Gasoline is extremely flammable and the vapors are explosive. Never fuel the machine indoors or while the engine is hot or running. Extinguish cigarettes, cigars, pipes and other sources of ignition.



**WARNING:** The operation of any lawn mower can result in foreign objects being thrown into the eyes, which can damage your eyes severely. Always wear safety glasses while operating the mower, or while performing any adjustments or repairs on it.



## Starting Engine



**WARNING:** Be sure no one other than the operator is standing near the lawn mower while starting engine or operating mower. Never run engine indoors or in enclosed, poorly ventilated areas. Engine exhaust contains carbon monoxide, an odorless and deadly gas. Keep hands, feet, hair and loose clothing away from any moving parts on engine and lawn mower.

Follow the set of instructions pertaining to your unit. Refer to engine manual for help with the engine.

### Briggs & Stratton/Tecumseh Engine:

1. If equipped, push primer three times. Wait about two seconds between each push. See Figure 4-2. In temperature around 55° F or below, prime five times. Do not prime to restart a warm engine.
2. Standing behind the mower, squeeze the blade control against upper handle as shown in Figure 4-2.
3. Holding these two handles together firmly, grasp recoil starter handle and pull rope out with a rapid, continuous, full arm stroke. Keeping a firm grip on the starter handle, let the rope rewind slowly. Repeat until engine cranks. Let the rope rewind each time slowly.

### Honda Engine:

1. Place the fuel valve lever found on the left side of the engine into the ON (OPEN) position.
2. Move the choke lever all the way backward into the choke position. See Figure 4-3.
3. Standing behind the mower, squeeze the blade control against upper handle as shown in Figure 4-3. The choke will now begin to slowly return to the off choke position after activating the blade control. Therefore, quickly move onto step four below.
4. Holding these two handles together firmly, grasp recoil starter handle and pull rope out with a rapid, continuous, full arm stroke. Keeping a firm grip on the starter handle let the rope rewind slowly. Repeat until engine cranks. Let the rope rewind each time slowly.



**WARNING:** Wait for the blade to stop completely before performing any work on the mower or to remove the grass catcher.

## Stopping Engine

1. Release blade control to stop the engine and blade.
2. Disconnect spark plug wire from spark plug and ground against the engine.

## Using Your Lawn Mower

Be sure lawn is clear of stones, sticks, wire, or other objects which could damage lawn mower or engine. Such objects could be accidentally thrown by the mower in any direction and cause serious personal injury to the operator and others.

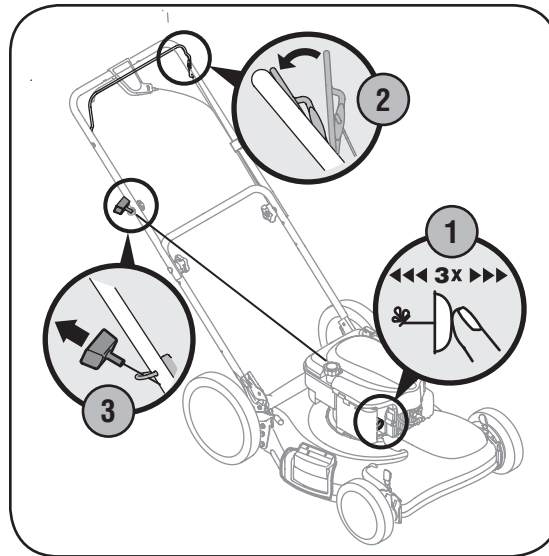


Figure 4-2

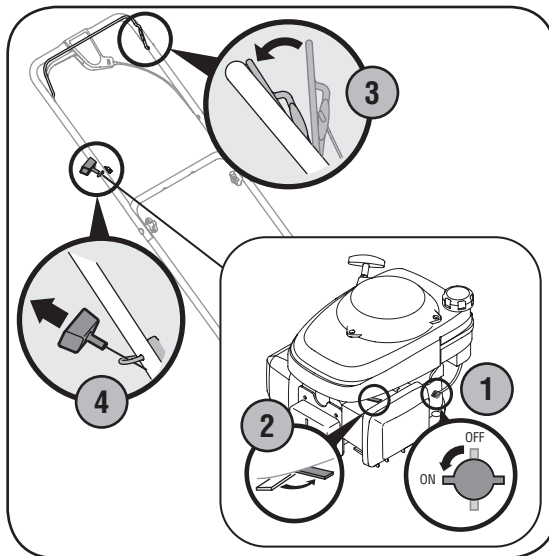


Figure 4-3



**WARNING:** If you strike a foreign object, stop the engine. Remove wire from the spark plug, thoroughly inspect mower for any damage, and repair damage before restarting and operating. Extensive vibration of mower during operation is an indication of damage. The unit should be promptly inspected and repaired.

## Using as Mulcher

For mulching grass, remove the grass catcher and side discharge chute from the mower. For effective mulching, do not cut wet grass. If the grass has been allowed to grow in excess of four inches, mulching is not recommended. Use the grass catcher to bag clippings instead.

## Using Grass Catcher

You can use the grass catcher to collect clippings while you are operating the mower. Refer to setup section for instructions on attaching the grass catcher.

# 4

## Operating Your Lawn Mower



### WARNING

The operation of any lawn mower can result in foreign objects being thrown into the eyes, which can damage your eyes severely. Always wear safety glasses while operating the mower, or while performing any adjustments or repairs on it.

Be sure no one other than the operator is standing near the lawn mower while starting engine or operating mower. Never run engine indoors or in enclosed, poorly ventilated areas. Engine exhaust contains carbon monoxide, an odorless and deadly gas. Keep hands, feet, hair and loose clothing away from any moving parts on engine and lawn mower.

# 5

## Maintaining Your Lawn Mower



### WARNING

Always stop engine, disconnect spark plug, and ground against engine before cleaning, lubricating or doing any kind of maintenance on your machine.



We do not recommend the use of pressure washers or garden hose to clean your unit. These may cause damage to electric components, spindles, pulleys, bearings, or the engine. The use of water will result in shortened life and reduce serviceability.

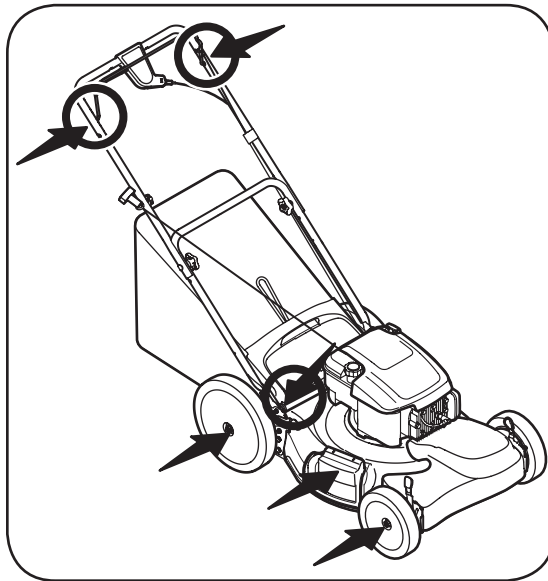


Figure 5-1

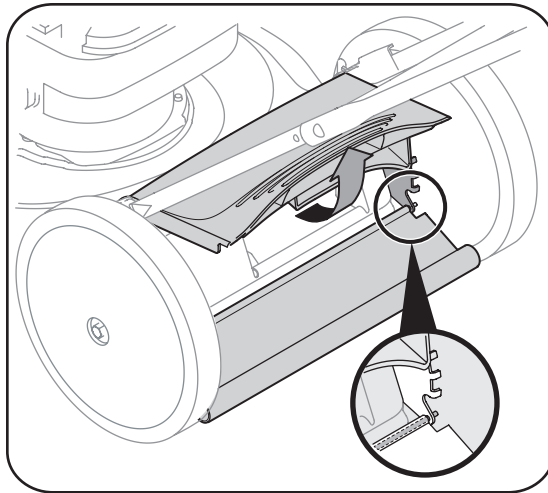


Figure 5-2

### General Recommendations

- Always observe safety rules when performing any type of maintenance.
- The warranty on this lawn mower does not cover items that have been subjected to operator abuse or negligence. To receive full value from warranty, operator must maintain the lawn mower as instructed here.
- Changing of engine-governed speed will void engine warranty.
- All adjustments should be checked at least once each season.
- Periodically check all fasteners and make sure these are tight.



**WARNING: Always stop engine, disconnect spark plug, and ground against engine before performing any type of maintenance on your machine.**

### Lubrication

- Lubricate pivot points on the blade control at least once a season with light oil. The blade control must operate freely in both directions. See Figure 5-1.
- Lubricate the wheels at least once a season with light oil (or motor oil). If wheels are removed for any reason, lubricate surface of the pivot arm and inner surface of the wheel with light oil. See Figure 5-1.
- Lubricate the torsion spring and pivot point on the rear discharge door and side discharge chute periodically with light oil to prevent rust. See Figure 5-1.
- The transmission is pre-lubricated and sealed at the factory and does not require lubrication.
- Follow the accompanying engine manual for engine lubrication instructions.

### Deck Care

The underside of the mower deck should be cleaned after each use to prevent any build-up of grass clippings, leaves, dirt, or other debris. If this debris is allowed to accumulate, it will result in rust and corrosion.

1. Disconnect spark plug wire. Drain gasoline from lawn mower, or place a piece of plastic under the gas cap.
2. Tip mower so that it rests on the housing. Keep the side with the air cleaner facing up. Hold mower firmly.



**WARNING: Never tip the mower more than 90° in any direction and do not leave the mower tipped for any length of time. Oil can drain into the upper part of the engine causing a starting problem.**

3. Scrape and clean the underside of the deck with a suitable tool. Do not spray with water.
4. Put the mower back on its wheels on the ground. If you had put plastic under the gas cap earlier, make sure to remove it now.

### Engine Care

A list of key maintenance jobs required for good performance by the mower is given below. Follow the accompanying engine manual for detailed list and instructions.

- Maintain oil level as instructed in engine manual.
- Service air cleaner every 25 hours under normal conditions. Clean every few hours under extremely dusty conditions. Refer to engine manual.
- Clean spark plug and reset the gap once a season. Check engine manual for correct plug type and gap specifications.
- Clean engine regularly with a cloth or brush. Keep the cooling system (blower housing area) clean to permit proper air circulation. Remove all grass, dirt and combustible debris from muffler area.

### Replacing Rear Flap

1. To remove rear flap, lift rear door, and press flap in on either side to remove from hole. See Figure 5-2.
2. Remove flap from opposite hole and replace with new flap in the opposite order and manner of removal.

## Blade Care



**WARNING:** When removing cutting blade for sharpening or replacement, protect your hands with a pair of heavy gloves or use a heavy rag to hold blade.

1. Disconnect spark plug wire from spark plug. Turn mower on its side making sure that the air filter and the carburetor are up.
2. Remove bolt, blade bell support, blade, and blade adapter from the engine crankshaft. See Figure 5-3.
3. The blade can be sharpened with a file or on a grinding wheel. Do not attempt to sharpen the blade while it is still on the mower. When sharpening blade, follow original angle of grind. Grind cutting edges equally to keep blade balanced.
4. Remove blade from the adapter for testing balance. Balance the blade on a round shaft screwdriver to check. Remove metal from the heavy side until it balances evenly.



**WARNING:** An unbalanced blade will cause excessive vibration when rotating at high speeds. It may cause damage to mower, and could break causing personal injury.

5. Lubricate the engine crankshaft and the inner surface of the blade adapter with light oil. Slide the blade adapter onto the engine crankshaft. Place the blade on the adapter such that the side of the blade marked "Bottom" (or with part number) faces the ground when the mower is in the operating position. Make sure that blade is aligned and seated on blade adapter flanges.
6. Place blade bell support on the blade. Align notches on the blade bell support with small holes in blade. Replace hex bolt and tighten hex bolt to torque: 450 in. lbs. min., 600 in. lbs. max.

To ensure safe operation of your mower, periodically check the blade bolt for correct torque.

## Belt Care

1. Remove two shoulder screws securing front drive cover to mower deck. See Figure 5-4. Press inward on sides of front drive cover and release tabs that secure it to the height adjuster brackets. Remove drive cover from mower.
2. Pull up on the belt keeper wire and pivot it out away from the drive pulley. See Figure 5-4 inset.
3. Roll the belt off the transmission pulley. Tip mower on its side with the air filter up to access belt from underside of mower. Slide belt off of engine pulley and thread through the opening in the belt keeper bracket. Then remove the belt from around the blade by removing over one end at a time. See Figure 5-5.
4. Replace with new belt, working around blade and up through the belt keeper bracket. Make sure belt is firmly seated on engine pulley while pulling from the other side and sliding it around the transmission pulley. Pivot the belt keeper wire back into its operating position and snap into the slot provided. Reassemble front drive cover.

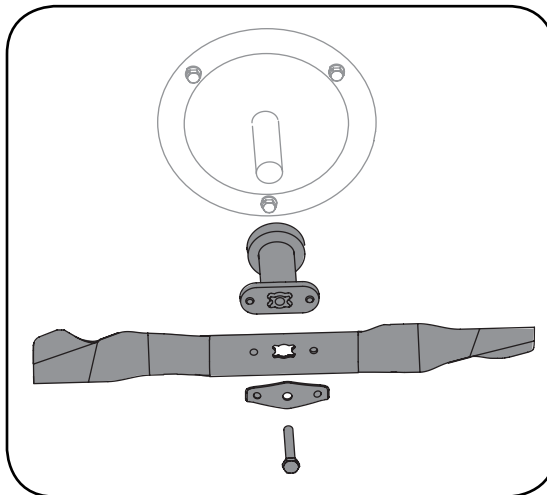


Figure 5-3

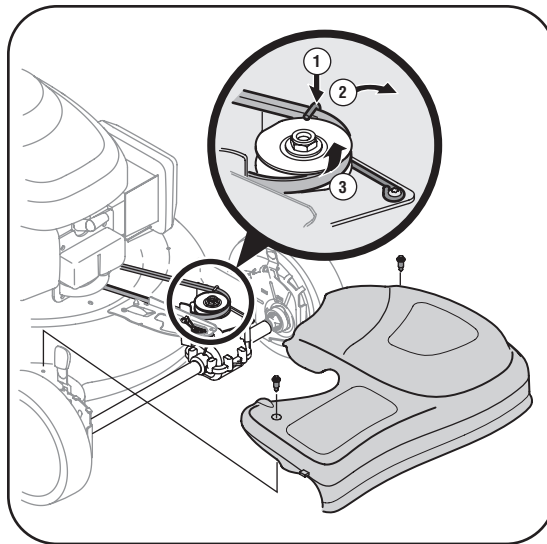


Figure 5-4

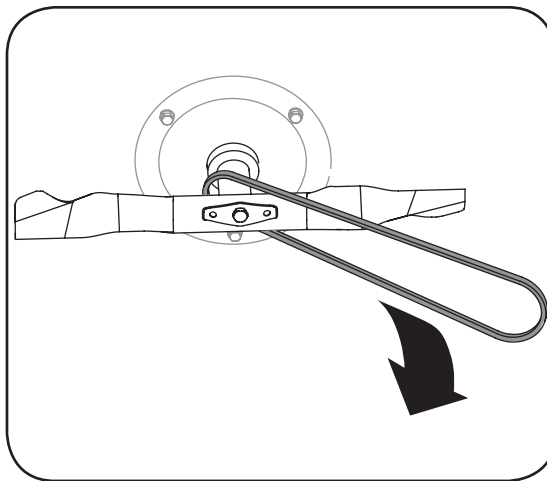


Figure 5-5

# 5

## Maintaining Your Lawn Mower



### WARNING

When removing the cutting blade for sharpening or replacement or when sliding the belt around it, protect your hands with a pair of heavy gloves or use a heavy rag to hold the blade.

An unbalanced blade will cause excessive vibration when rotating at high speeds. It may cause damage to mower, and could break causing personal injury.

# 6

## Trouble Shooting



*For repairs beyond the minor adjustments listed here, contact an authorized service dealer.*

<b>Problem</b>	<b>Cause</b>	<b>Remedy</b>
Engine fails to start	<ol style="list-style-type: none"> <li>1. Blade control disengaged.</li> <li>2. Spark plug wire disconnected.</li> <li>3. Fuel tank empty or stale fuel.</li> <li>4. Engine not primed (if equipped with primer).</li> <li>5. Faulty spark plug.</li> <li>6. Blocked fuel line.</li> <li>7. Engine flooded.</li> <li>8. Fuel valve (if equipped) closed.</li> <li>9. Engine not choked (if equipped w/choke).</li> </ol>	<ol style="list-style-type: none"> <li>1. Engage blade control.</li> <li>2. Connect wire to spark plug.</li> <li>3. Fill tank with clean, fresh gasoline.</li> <li>4. Prime engine as instructed in "Operating Your Lawn Mower".</li> <li>5. Clean, adjust gap, or replace.</li> <li>6. Clean fuel line.</li> <li>7. Wait a few minutes to restart, but do not prime.</li> <li>8. Open fuel valve. See engine manual.</li> <li>9. Choke engine. See engine manual.</li> </ol>
Engine runs erratic	<ol style="list-style-type: none"> <li>1. Spark plug wire loose.</li> <li>2. Blocked fuel line or stale fuel.</li> <li>3. Vent in gas cap plugged.</li> <li>4. Water or dirt in fuel system.</li> <li>5. Dirty air cleaner.</li> <li>6. Carburetor out of adjustment.</li> </ol>	<ol style="list-style-type: none"> <li>1. Connect and tighten spark plug wire.</li> <li>2. Clean fuel line; fill tank with clean, fresh gasoline.</li> <li>3. Clear vent.</li> <li>4. Drain fuel tank. Refill with fresh fuel.</li> <li>5. Refer to engine manual.</li> <li>6. Refer to engine manual.</li> </ol>
Engine overheats	<ol style="list-style-type: none"> <li>1. Engine oil level low.</li> <li>2. Air flow restricted.</li> <li>3. Carburetor not adjusted properly.</li> </ol>	<ol style="list-style-type: none"> <li>1. Fill crankcase with proper oil.</li> <li>2. Remove blower housing and clean.</li> <li>3. Refer to engine manual.</li> </ol>
Occasional skips (hesitates) at high speed	<ol style="list-style-type: none"> <li>1. Spark plug gap too close.</li> <li>2. Carburetor idle mixture adjustment improperly set.</li> </ol>	<ol style="list-style-type: none"> <li>1. Adjust gap to .030".</li> <li>2. Refer to engine manual.</li> </ol>
Idles poorly	<ol style="list-style-type: none"> <li>1. Spark plug fouled, faulty or gap too wide.</li> <li>2. Carburetor improperly adjusted.</li> <li>3. Dirty air cleaner.</li> </ol>	<ol style="list-style-type: none"> <li>1. Reset gap to .030" or replace spark plug.</li> <li>2. Refer to engine manual.</li> <li>3. Refer to engine manual.</li> </ol>
Excessive Vibration	<ol style="list-style-type: none"> <li>1. Cutting blade loose or unbalanced.</li> <li>2. Bent cutting blade.</li> </ol>	<ol style="list-style-type: none"> <li>1. Tighten blade and adapter. Balance blade.</li> <li>2. See an authorized service dealer.</li> </ol>
Mower will not mulch grass (If Equipped)	<ol style="list-style-type: none"> <li>1. Wet grass.</li> <li>2. Excessively high grass.</li> <li>3. Dull blade.</li> </ol>	<ol style="list-style-type: none"> <li>1. Do not mow when grass is wet; wait until later to cut.</li> <li>2. Mow once at a high cutting height, then mow again at desired height or make a narrower cutting path.</li> <li>3. Sharpen or replace blade.</li> </ol>
Uneven cut	<ol style="list-style-type: none"> <li>1. Wheels not positioned correctly.</li> <li>2. Dull blade.</li> </ol>	<ol style="list-style-type: none"> <li>1. Place all four wheels in same height position.</li> <li>2. Sharpen or replace blade.</li> </ol>
Mower will not self propel	<ol style="list-style-type: none"> <li>1. Belt not installed properly.</li> <li>2. Debris clogging drive operation.</li> <li>3. Damaged or worn belt.</li> </ol>	<ol style="list-style-type: none"> <li>1. Check belt for proper pulley installation and movement.</li> <li>2. Stop engine, disconnect spark plug wire and clean out debris.</li> <li>3. Inspect and replace belt.</li> </ol>

## Off-Season Storage

The following steps should be taken to prepare your lawn mower for storage.

1. Clean and lubricate mower thoroughly as described in the lubrication instructions.
2. We do not recommend the use of a pressure washer or garden hose to clean your unit.
3. Refer to engine manual for correct engine storage instructions.

4. Coat mower's cutting blade with chassis grease to prevent rusting.
5. Store mower in a dry, clean area. Do not store next to corrosive materials, such as fertilizer.

When storing any type of power equipment in a poorly ventilated or metal storage shed, care should be taken to rust-proof the equipment. Using a light oil or silicone, coat the equipment, especially cables and all moving parts of your lawn mower before storage.

## Safety Labels Found On Your Lawn Mower



# 7

## Off Season Storage and Safety Labels

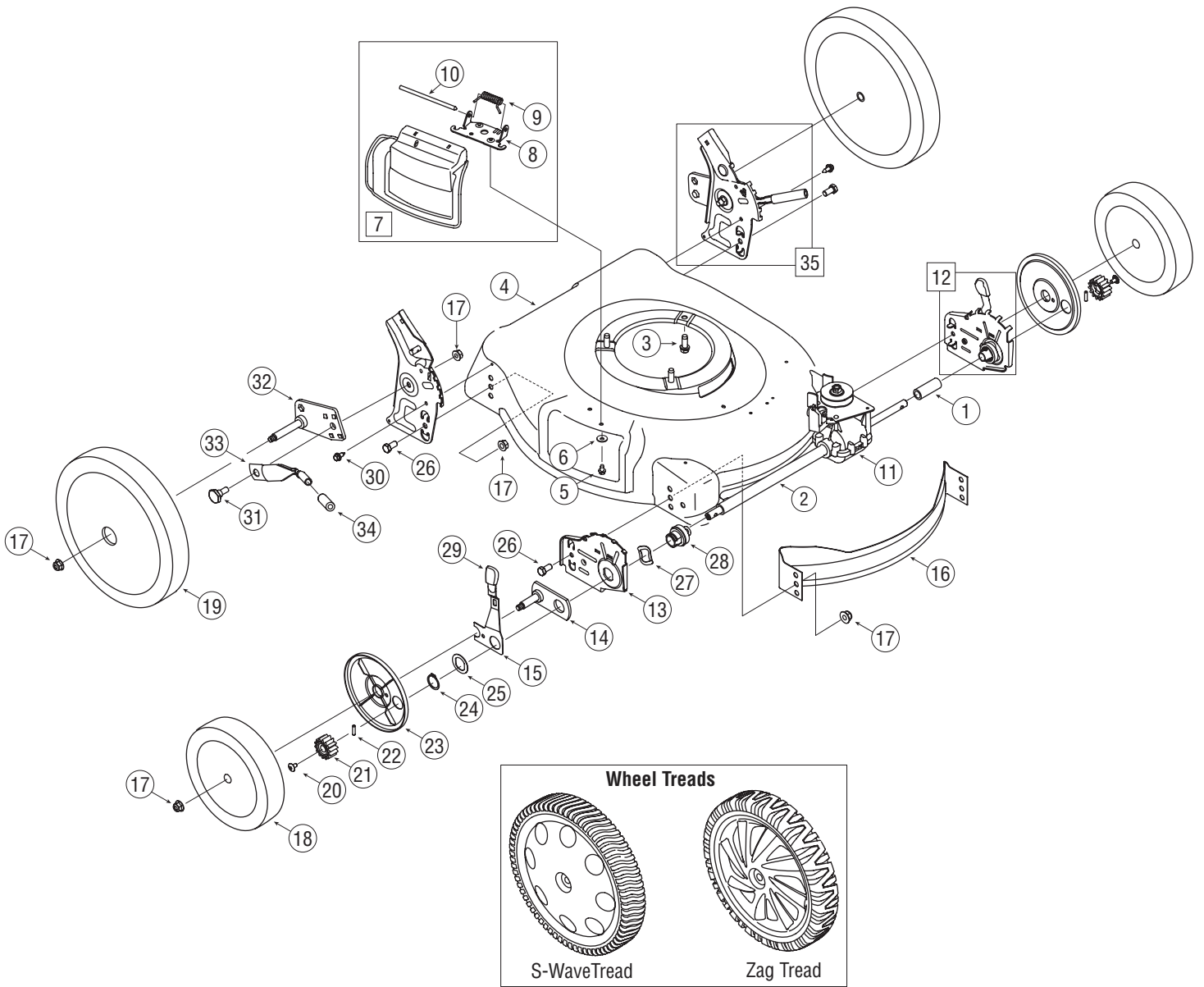


### WARNING

DO NOT remove safety (or any) labels from mower for any reason.



# Model Series V560



# 8

## Parts List

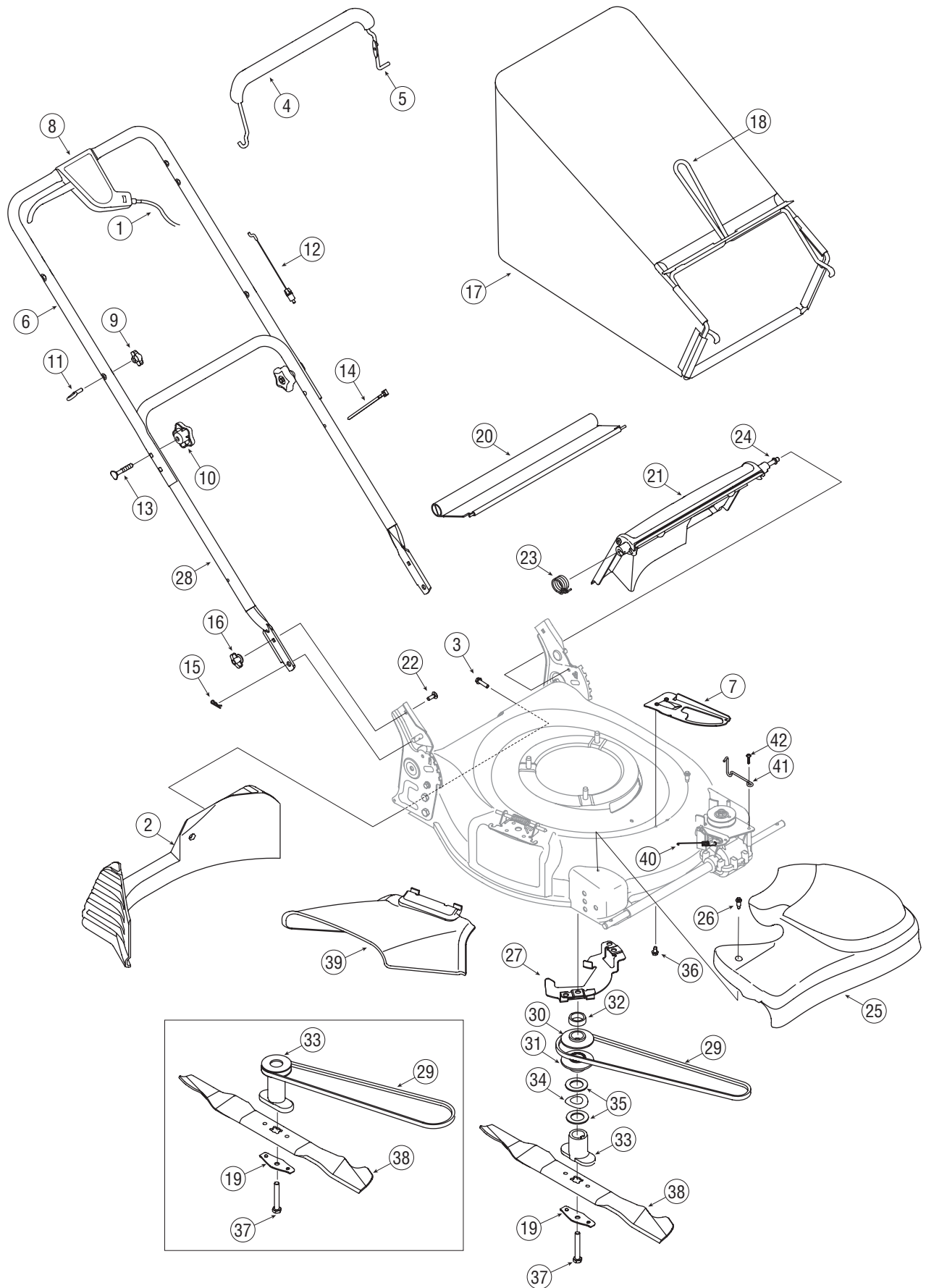


*For parts and/or accessories please call 1-800-828-5500, or 1-330-558-7220. [www.troybilt.com](http://www.troybilt.com)*

Ref.	Part No.	Description
1	750-04405	Slev. Spacer 1.8" Lg.
2	750-04404	Sleeve Spacer 9.10" Lg.
3	710-0654A	Self-Tapping Sems Screw
4	787-01278	21" Deck 3 in 1 SP
5	710-0599	TT Screw 1/4-20 x 0.5
6	736-0270	Bell Washer
7	687-02055	Hinged Mulch Plug Assembly
8	17032A	Chute Deflector Adapter
9	732-1014	Torsion Spring
10	747-0710	Hinge Pin
11	618-04377A	Transmission Assembly
12	687-02193	Height Adj. Assembly - LH
	687-02194	Height Adj. Assembly - RH
13	787-01298	Front Height Adj. Plate - RH
	787-01299	Front Height Adj. Plate - LH
14	687-02044	Pivot Plate Assembly
15	732-0706	Front Lever - RH
	732-0707	Front Lever - LH
16	782-5002B	Front Baffle
17	712-04065	Flange Lock Nut, 3/8-16
18	734-04018A	Front Wheel 8 x 2.125

Ref.	Part No.	Description
19	734-04127	Rear Wheel, 12 x 2.125
20	710-04531	Screw 1/4-20 x .390
21	717-1762	Gear 14T RH FWD RH
	717-1761	Gear 14T LH FWD LH
22	715-0221	Dowel Pin
23	782-7551A	Wheel Dust Cap
24	716-0102	Snap Ring
25	736-0474	Flat Washer
26	710-0216	Hex Screw, 3/8-16 x.75
27	736-0447	Wave Washer
28	682-0015	Bearing Assembly
29	720-0426	Adjustment Knob
30	710-1652	TT Scr. w/Washer 1/4-20 x.625
31	738-0507B	Shoulder Scr.500 Dia. x.434
32	687-02039A	Pivot Arm Assembly - RH
	687-02040A	Pivot Arm Assembly - LH
33	732-0866	Rear Spring Lever
34	720-0312	Foam Grip
35	687-02280	Handle Bracket Assembly - LH
	687-02279	Handle Bracket Assembly - RH

# Model Series V560



# 8

## Parts List



*For parts and/or accessories please call 1-800-828-5500, or 1-330-558-7220. www.troybilt.com*



### IMPORTANT

For a proper working machine, use Factory Approved Parts. **V-BELTS** are specially designed to engage and disengage safely. A substitute (non OEM) V-Belt can be dangerous by not disengaging completely.

Ref.	Part No.	Description
1	746-04206A	Variable Speed Cable
2	731-04150C	Rear Baffle 21" Rd.
3	710-1241	Screw 1/4-15 x 1.000
4	731-04204‡	Deluxe Bail Cover
5	747-1161A	Blade Control
6	749-04206	Upper Handle
7	787-01258A	Cable Mount Bracket
8	753-05096A	Control Lever Assembly
9	720-0279	Handle Knob
10	720-04072	Star Knob
11	710-1205	Eye Bolt
12	746-0957	Control Cable - 37.25"
	746-1113	Control Cable - 37.75"
	746-1130	Control Cable - 40"
	746-1132	Control Cable - 40.75"
13	710-1174	Carriage Bolt 5/16-18 x 2.0
14	726-0240	Cable Tie
15	714-0104	Cotter Pin
16	712-0397	Wing Nut
17	664-04011	Grassbag Assembly
18	747-04080	Grass Bag Frame
19	736-0524B	Blade Bell Support
20	731-05642	Rear Trailing Shield

Ref.	Part No.	Description
21	631-04225	Rear Discharge Door
22	710-0703	Carriage Bolt 1/4-20
23	732-04090A	Torsion Spring - RH
24	747-04588	Pivot Rod
25	731-05020A	Transmission Cover (Black)
26	710-1650	Shoulder Screw # 12 -24
27	787-01265A	Belt Keeper Bracket
28	749-0928A	Lower Handle
29	754-04082A	V-Belt
30	756-04161†	Upper Pulley Half 25mm x 2.62
31	756-04160†	Lower Pulley Half 25mm x 2.62
32	750-04438A†	Slv Spacer 25mm x 1.375 x .62
33	748-04082‡	Blade Adapter
	748-04015A††	One Piece Blade Adapter
34	736-0447†	Space Washer
35	736-0277†	Flat Washer
36	710-0896	Scr., 1/4-14 x.625
37	710-1257	Hex Screw 3/8-24 x 2.50
38	742-0741	21" Mulching Blade
39	731-04177	Side Discharge Chute
40	732-04317	Extension Spring
41	732-04294	Belt Keeper Wire
42	710-04329	Torx Screw

† Honda Engine GCV160AS3H

†† Honda Engine GCV160AS1H & Briggs & Stratton Engine

‡ If Equipped

# MANUFACTURER'S LIMITED WARRANTY FOR



The limited warranty set forth below is given by Troy-Bilt LLC with respect to new merchandise purchased and used in the United States and/or its territories and possessions, and by MTD Products Limited with respect to new merchandise purchased and used in Canada and/or its territories and possessions (either entity respectively, "Troy-Bilt").

"Troy-Bilt" warrants this product (excluding its *Normal Wear Parts and Attachments* as described below) against defects in material and workmanship for a period of two (2) years commencing on the date of original purchase and will, at its option, repair or replace, free of charge, any part found to be defective in materials or workmanship. This limited warranty shall only apply if this product has been operated and maintained in accordance with the Operator's Manual furnished with the product, and has not been subject to misuse, abuse, commercial use, neglect, accident, improper maintenance, alteration, vandalism, theft, fire, water, or damage because of other peril or natural disaster. Damage resulting from the installation or use of any part, accessory or attachment not approved by Troy-Bilt for use with the product(s) covered by this manual will void your warranty as to any resulting damage.

*Normal Wear Parts* are warranted to be free from defects in material and workmanship for a period of thirty (30) days from the date of purchase. Normal wear parts include, but are not limited to items such as: batteries, belts, blades, blade adapters, tines, grass bags, wheels, rider deck wheels, seats, snow thrower skid shoes, friction wheels, shave plates, auger spiral rubber and tires.

*Attachments* — Troy-Bilt warrants attachments for this product against defects in material and workmanship for a period of one (1) year, commencing on the date of the attachment's original purchase or lease. Attachments include, but are not limited to items such as: grass collectors and mulch kits.

**HOW TO OBTAIN SERVICE:** Warranty service is available, WITH PROOF OF PURCHASE, through your local authorized service dealer. To locate the dealer in your area:

## **In the U.S.A.**

Check your Yellow Pages, or contact Troy-Bilt LLC at P.O. Box 361131, Cleveland, Ohio 44136-0019, or call 1-866-840-6483, 1-330-558-7220 or log on to our Web site at [www.troybilt.com](http://www.troybilt.com).

## **In Canada**

Contact MTD Products Limited, Kitchener, ON N2G 4J1, or call 1-800-668-1238 or log on to our Web site at [www.mtdcanada.com](http://www.mtdcanada.com).

This limited warranty does **not** provide coverage in the following cases:

- a. The engine or component parts thereof. These items may carry a separate manufacturer's warranty. Refer to applicable manufacturer's warranty for terms and conditions.
- b. Log splitter pumps, valves, and cylinders have a separate one-year warranty.

- c. Routine maintenance items such as lubricants, filters, blade sharpening, tune-ups, brake adjustments, clutch adjustments, deck adjustments, and normal deterioration of the exterior finish due to use or exposure.
- d. Service completed by someone other than an authorized service dealer.
- e. Troy-Bilt does not extend any warranty for products sold or exported outside of the United States and/or Canada, and their respective possessions and territories, except those sold through Troy-Bilt's authorized channels of export distribution.
- f. Replacement parts that are not genuine Troy-Bilt parts.
- g. Transportation charges and service calls.
- h. Troy-Bilt does not warrant this product for commercial use.

**No implied warranty, including any implied warranty of merchantability of fitness for a particular purpose, applies after the applicable period of express written warranty above as to the parts as identified. No other express warranty, whether written or oral, except as mentioned above, given by any person or entity, including a dealer or retailer, with respect to any product, shall bind Troy-Bilt. During the period of the warranty, the exclusive remedy is repair or replacement of the product as set forth above.**

**The provisions as set forth in this warranty provide the sole and exclusive remedy arising from the sale. Troy-Bilt shall not be liable for incidental or consequential loss or damage including, without limitation, expenses incurred for substitute or replacement lawn care services or for rental expenses to temporarily replace a warranted product.**

Some states do not allow the exclusion or limitation of incidental or consequential damages, or limitations on how long an implied warranty lasts, so the above exclusions or limitations may not apply to you.

In no event shall recovery of any kind be greater than the amount of the purchase price of the product sold. **Alteration of safety features of the product shall void this warranty.** You assume the risk and liability for loss, damage, or injury to you and your property and/or to others and their property arising out of the misuse or inability to use the product.

This limited warranty shall not extend to anyone other than the original purchaser or to the person for whom it was purchased as a gift.

**HOW STATE LAW RELATES TO THIS WARRANTY:** This limited warranty gives you specific legal rights, and you may also have other rights which vary from state to state.

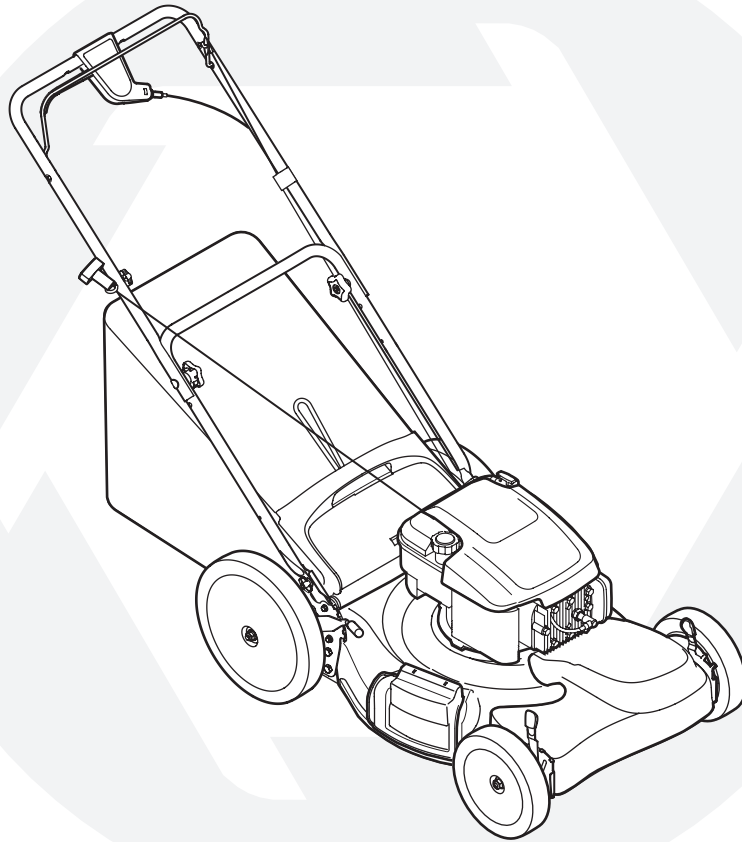
**IMPORTANT:** Owner must present Original Proof of Purchase to obtain warranty coverage.

**Troy-Bilt LLC, P.O. BOX 361131 CLEVELAND, OHIO 44136-0019; Phone: 1-866-840-6483, 1-330-558-7220  
MTD Canada Limited - KITCHENER, ON N2G 4J1; Phone 1-800-668-1238**



# MANUAL DEL OPERADOR

# **TROY-BILT**<sup>®</sup>



## Podadora tipo abonadora autopropulsada de 21” Modelo Serie V560

### IMPORTANTE LEA CON ATENCIÓN LAS REGLAS DE SEGURIDAD E INSTRUCCIONES ANTES DE OPERAR LA PODADORA

**Advertencia:** Esta unidad está equipada con un motor de combustión interno y no debe ser utilizada en o cerca de un terreno agreste cubierto por bosque, malezas o hierba excepto que el sistema de escape del motor esté equipado con un amortiguador de chispas que cumpla con las leyes locales o estatales correspondientes (en caso de existir). Si se utiliza un amortiguador de chispas el operador lo debe mantener en condiciones de uso adecuadas. En el Estado de California las medidas anteriormente mencionadas son exigidas por ley (Artículo 4442 del Código de Recursos Públicos de California). Es posible que existan leyes similares en otros estados. Las leyes federales se aplican en territorios federales. Su distribuidor más cercano autorizado para realizar el mantenimiento del motor puede conseguir el amortiguador de chispas para el silenciador, si no usted puede comunicarse con el departamento de servicios al apartado postal P.O. Box 361131 Cleveland, Ohio 44136-0019.

**Este manual del operador es una parte importante de su nueva máquina podadora. Le ayudará a montar, preparar y mantener la unidad para obtener los mejores resultados. Por favor, lea y comprenda el contenido del manual.**

## **Índice**

<b>Indicador de pendiente .....</b>	<b>21</b>	<b>Solución de problemas .....</b>	<b>30</b>
<b>Prácticas de seguridad en la operación .....</b>	<b>22</b>	<b>Almacenamiento fuera de temporada y etiquetas de seguridad .....</b>	<b>31</b>
<b>Configuración y ajustes .....</b>	<b>24</b>	<b>Lista de piezas .....</b>	<b>14</b>
<b>Funcionamiento de la podadora .....</b>	<b>26</b>	<b>Garantía .....</b>	<b>32</b>
<b>Mantenimiento de la podadora .....</b>	<b>28</b>		

## **Búsqueda y registro del número de modelo**

ANTES DE COMENZAR A MONTAR SU NUEVO EQUIPO, por favor, localice la placa del modelo en el equipo y copie la información en la placa del modelo situada a la derecha. Para encontrar la placa de modelo, colóquese detrás de la unidad en la posición del operador y mire hacia abajo en la parte posterior de la cubierta. La presente información resultará necesaria para el uso del sitio web del fabricante y / o para solicitar ayuda del Departamento de Asistencia al Cliente o de un distribuidor autorizado.

Número de modelo

Número de serie

  
www.troybilt.com

TROY-BILT LLC  
P. O. BOX 361131  
CLEVELAND, OH 44136  
330-558-7220  
800-828-5500

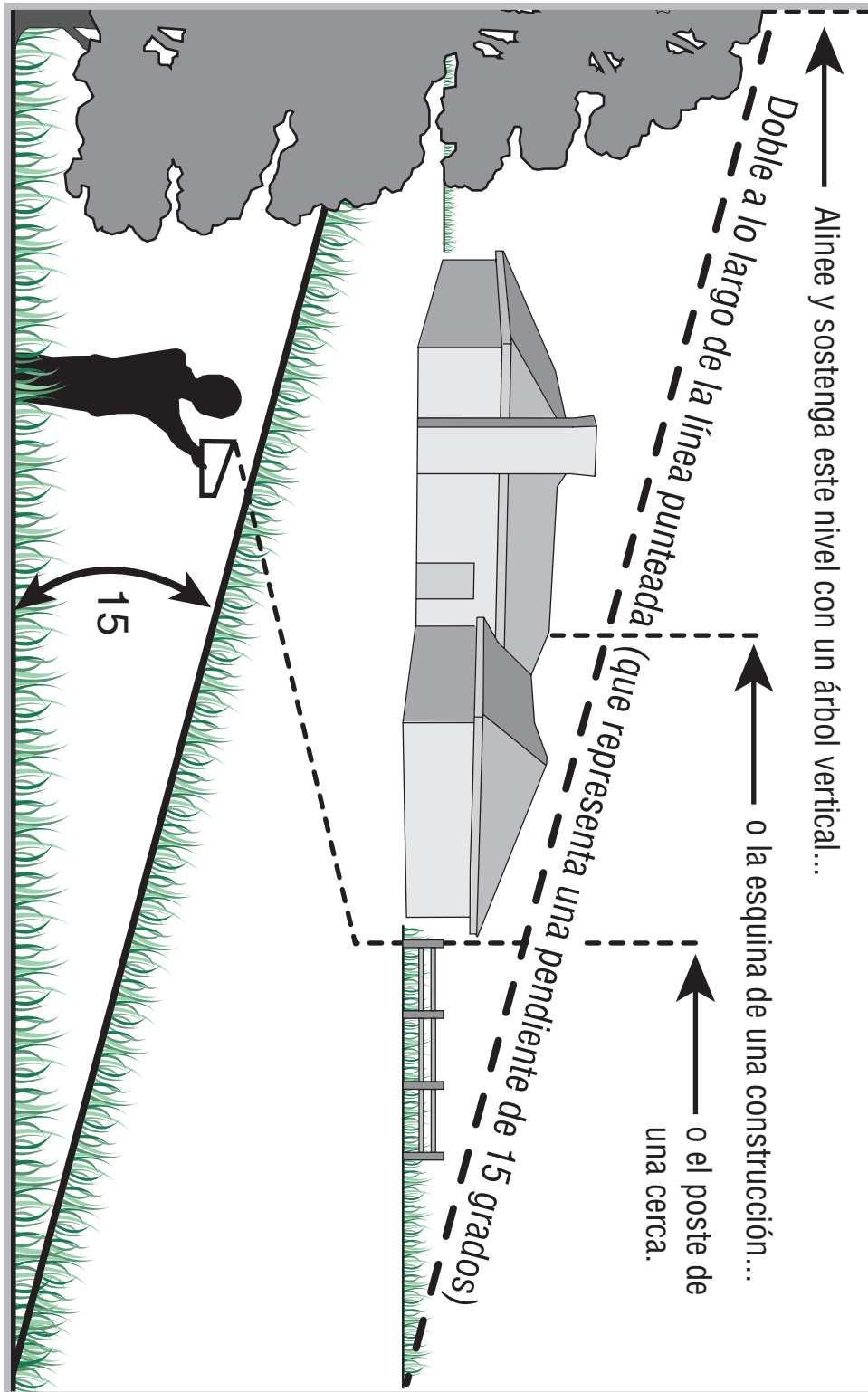
## **Asistencia al cliente**

**Por favor, *NO* devuelva la unidad al minorista a quien se la adquirió sin contactar primero con el Departamento de Asistencia al Cliente.**

En caso de tener problemas para ensamblar este producto o de tener dudas con respecto a los controles, funcionamiento o mantenimiento del mismo, puede solicitar la ayuda de los expertos. Elija entre las opciones que se presentan a continuación:

1. Visite troybilt.com.
2. Si desea contactarse con un Representante del Departamento de Asistencia al Cliente, por favor comuníquese al 1-800-828-5500.
3. El fabricante del motor es el responsable de todas las cuestiones relacionadas con el rendimiento, potencia de salida, especificaciones, garantía y mantenimiento del motor. Por favor, para mayor confirmación, consulte el manual del propietario/operador del fabricante del motor que es enviado, en un paquete por separado, junto con su unidad.

Use esta página como guía para determinar las inclinaciones de las pendientes en las que podría no tener una operación segura. No opere la podadora en dichas pendientes.



# 1

## Indicador de pendiente



### ADVERTENCIA

No opere en inclinaciones mayores a 15 grados (elevación aproximada de 2 1/2 pies por cada 10 pies). Una podadora en movimiento podría voltearse y causar lesiones severas. Si en una pendiente opera una podadora ubicado detrás de la misma, es extremadamente difícil mantener el equilibrio y podría resbalarse y sufrir lesiones graves.

Opere las podadoras MONTABLES arriba y abajo de las pendientes, nunca cruzando el frente de las pendientes.

Opere las podadoras QUE SE EMPUJAN de manera que crucen el frente de las pendientes, nunca hacia arriba y hacia abajo.

# 2

## Prácticas de seguridad en la operación



### ADVERTENCIA

Este símbolo indica instrucciones de seguridad importantes que de no seguirse, se podría poner en peligro la seguridad personal y/o la propiedad suya y de terceros. Lea y siga todas las instrucciones en este manual antes de iniciar la operación de esta máquina. En caso de no seguir estas instrucciones podría provocar lesiones personales.

Cuando vea este símbolo **SIGA LA ADVERTENCIA**

**Su responsabilidad:**

Sólo permita que usen esta máquina eléctrica las personas que lean, comprendan y respeten las advertencias y las instrucciones que aparecen en este manual y en la máquina.



**ADVERTENCIA:** El escape del motor de este producto, algunos de sus componentes y algunos componentes del vehículo contienen o emiten productos químicos que el estado de California considera que pueden producir cáncer, defectos de nacimiento u otros problemas reproductivos.

**PELIGRO:** Esta máquina está diseñada para ser utilizada respetando las reglas de seguridad contenidas en este manual. Al igual que con cualquier tipo de equipo eléctrico, un descuido o error de parte del operador puede producir lesiones graves. Esta máquina es capaz de amputar manos y pies y de arrojar objetos con gran fuerza. De no respetar las instrucciones de seguridad siguientes se pueden producir lesiones graves o la muerte.

### Niños

Pueden ocurrir accidentes trágicos si el operador no está atento a la presencia de niños. Por lo general a los niños les atraen las podadoras y la actividad de podar el césped. No entienden los riesgos ni los peligros. Nunca dé por sentado que los niños permanecerán en el mismo lugar donde los vio por última vez.

1. Mantenga a los niños fuera del área de trabajo y bajo estricta vigilancia de un adulto responsable además del operador.
2. Esté alerta y apague la podadora si un niño ingresa al área.
3. Antes y mientras se está moviendo hacia atrás, mire hacia atrás y cuide que no haya niños.
4. Tenga extrema precaución cuando se aproxime a esquinas ciegas, entradas de puertas, árboles u otros objetos que puedan obstaculizarle la vista de un niño que pudiese correr hacia la podadora.
5. Mantenga alejados a los niños de los motores en marcha o calientes. Pueden sufrir quemaduras con un silenciador caliente.
6. Nunca permita que niños menores de 14 años operen esta máquina. Los niños mayores de 14 años deben leer y entender las instrucciones de operación y reglas de seguridad contenidas en este manual y deben ser entrenados y supervisados por sus padres.

### Funcionamiento

#### Manejo seguro de la gasolina:

1. Para evitar lesiones personales o daños materiales sea sumamente cuidadoso al manipular la gasolina. La gasolina es altamente inflamable y los vapores son explosivos. Se puede lesionar gravemente si derrama gasolina sobre usted o sobre la ropa ya que se puede encender.
2. Lávese la piel y cámbiese de ropa de inmediato.
3. Utilice sólo recipientes para gasolina autorizados.
4. Nunca llene los contenedores en el interior de un vehículo o camión o caja de camioneta con recubrimientos plásticos. Coloque siempre los recipientes en el piso y lejos del vehículo antes de llenarlos.
5. Retire el equipo a gasolina del camión o remolque y llénelo en el piso. Si esto no es posible, entonces llene dicho equipo en un remolque con un recipiente portátil, en vez de desde un dispensador de gasolina.
6. Mantenga la boquilla de llenado en contacto con el borde de la entrada del tanque de gasolina o contenedor en todo momento hasta que esté lleno. No utilice un dispositivo para abrir/cerrar la boquilla.
7. Apague todos los cigarrillos, cigarros, pipas y otras fuentes de combustión.
8. Nunca cargue combustible en la máquina en interiores porque los vapores inflamables podrían acumularse en el área.
9. Nunca saque la tapa del gas ni agregue combustible mientras el motor está caliente o en marcha. Deje que el motor se enfríe por lo menos dos minutos antes de volver a cargar combustible.
10. Nunca recargue el tanque de combustible. Llene el tanque no más de 1/2 pulgada por debajo de la base del cuello de llenado para dejar espacio para la expansión del combustible.
11. Vuelva a colocar la tapa de la gasolina y ajústela bien.
12. Limpie la gasolina derramada sobre el motor y el equipo. Traslade la máquina a otra zona. Espere 5 minutos antes de encender el motor.
13. Nunca almacene la máquina o el recipiente de combustible en un espacio cerrado donde haya fuego, chispas o aparatos con piloto

como por ejemplo, calentadores de agua, calentadores, hornos, secadores de ropa u otros aparatos a gas.

14. Para reducir el riesgo de incendio mantenga la máquina limpia de pasto, hojas y de acumulación de otros escombros. Limpie los derrames de aceite o combustible y saque todos los desechos embebidos con combustible.
15. Deje que la máquina se enfríe 5 minutos por lo menos antes de almacenarla.

#### Funcionamiento general:

1. Lea y siga todas las instrucciones contenidas en este manual antes de intentar ensamblar esta máquina. Lea, comprenda y siga todas las instrucciones que figuran en la máquina y en el o los manuales antes de intentar operarla. Familiarícese completamente con los controles y con el uso apropiado de esta máquina antes de operarla. Guarde este manual en un lugar seguro para referencias futuras y regule para solicitar repuestos.
2. Esta máquina es una pieza de equipo de precisión, no un juguete. Por tanto, tenga la máxima precaución en todo momento. Su unidad ha sido diseñada para realizar una tarea: cortar el césped. No la utilice con ningún otro propósito.
3. No permita nunca que los niños menores de 14 años operen esta máquina. Los niños de 14 años y más deben leer y comprender las instrucciones contenidas en este manual y deben ser capacitados y supervisados por uno de los padres. Únicamente los individuos responsables que se hayan familiarizado con estas reglas de seguridad para la operación deberán usar esta máquina.
4. Inspeccione minuciosamente el área en donde utilizará el equipo. Saque todas las piedras, palos, cables, huesos, juguetes y otros objetos extraños con los que podría tropezar o que podrían ser arrojados por la cuchilla. Los objetos arrojados por la máquina pueden producir lesiones graves. Planifique el patrón en el que va a ir descargando el recorte para evitar que la descarga de material se realice hacia los caminos, las veredas, los observadores, etc. Evite además descargar material contra las paredes y obstrucciones que podrían provocar que el material descargado rebote contra el operador.
5. Para ayudar a evitar el contacto con la cuchilla o una lesión por un objeto arrojado, manténgase en la zona del operador detrás de las manijas y mantenga a los niños, observadores, ayudantes y mascotas apartados al menos 25 metros de la podadora mientras está en operación. Detenga la máquina si alguien entra en la zona.
6. Para protegerse los ojos utilice siempre anteojos o antiparras de seguridad mientras opera la máquina o mientras la ajusta o repara. Los objetos arrojados que rebotan pueden lesionar gravemente la vista.
7. Utilice zapatos de trabajo resistentes, de suela fuerte y pantalones y camisas ajustados. Se recomienda utilizar camisas y pantalones que cubran los brazos y las piernas, así como calzado con puntas reforzadas en acero. Nunca opere esta máquina con los pies desnudos, sandalias, o con zapatos ligeros o con los que se pueda resbalar (por ejemplo, calzado de lona).
8. No ponga las manos o los pies cerca de las piezas rotatorias o en la tolva de la cortadora. El contacto con las cuchillas puede producir la amputación de manos y pies.
9. Una cubierta de descarga faltante o dañada puede provocar el contacto con la cuchilla o lesiones por objetos arrojados.

10. Muchas lesiones ocurren como resultado de pasar la cortadora sobre los pies durante una caída provocada por derrapes o tropiezos. No se sostenga de la podadora si se está cayendo, suelte la manija inmediatamente.
11. Nunca tire hacia usted la podadora mientras camina. Si debe retroceder la podadora para evitar una pared u obstáculo, mire primero abajo y atrás para evitar tropezarse y luego siga estos pasos:
  - a. Retroceda de la podadora hasta estirar completamente sus brazos.
  - b. Asegúrese que está bien equilibrado y bien parado.
  - c. Tire de la podadora lentamente hacia usted, no más allá de la mitad de la distancia entre usted y la podadora.
  - d. Repita estos pasos como se requiera.
12. No opere esta máquina estando bajo los efectos del alcohol o de drogas.
13. No embrague el mecanismo de autopropulsión en unidades con este equipo mientras arranca el motor.
14. El mecanismo de control de la cuchilla es un dispositivo de seguridad. Nunca intente desviarse de su funcionamiento. De hacerlo no funcionarían los dispositivos de seguridad y podrían producirse lesiones personales por el contacto con las cuchillas giratorias. Las manijas de control de la cuchilla deben funcionar bien en ambas direcciones y regresar automáticamente a la posición de desengrane cuando se las suelta.
15. Nunca opere la podadora en césped húmedo. Siempre esté seguro de su equilibrio. Si tropieza y cae puede lesionarse gravemente. Si siente que pierde el equilibrio, suelte inmediatamente la manija de control de la cuchilla y la cuchilla dejará de girar en tres segundos.
16. Corte el césped solamente con luz de día o con una buena luz artificial. Camine, nunca corra.
17. Detenga la cuchilla cuando cruce caminos de gravilla, pasos o andadores.
18. Si la máquina comenzara a vibrar de manera anormal, detenga el motor, y busque inmediatamente la causa. La vibración por lo general es una advertencia de algún problema.
19. Apague el motor y espere hasta que la cuchilla se detenga completamente antes de retirar la guarda para el recorte de césped o desatorar la tolva. La cuchilla continúa girando por unos cuantos segundos después que el motor se ha apagado. Nunca coloque ninguna parte del cuerpo en el área de la cuchilla hasta que esté seguro que la cuchilla ha detenido su movimiento rotatorio.
20. Nunca opere la cortadora sin las guardas apropiadas, cubierta de descarga, guarda para recorte, manija de control de la cuchilla y otros dispositivos de seguridad y protección en su lugar y funcionando. Nunca opere la cortadora si los dispositivos de seguridad están dañados. Si no lo hace, esto puede tener como resultado lesiones.
21. El silenciador y el motor se calientan y pueden producir quemaduras. No los toque.
22. Utilice solamente partes y accesorios fabricados especialmente para esta máquina, originales del fabricante (OEM). Si no lo hace, esto puede tener como resultado lesiones personales.
23. Si se presentan situaciones que no están previstas en este manual sea cuidadoso y use el sentido común. Marque para contactar el departamento de atención al cliente y obtener el nombre de su distribuidor más cercano.

### Funcionamiento en pendientes:

Las pendientes son un factor importante que se relaciona con los accidentes producidos por derrapes y caídas y que pueden producir lesiones graves. La operación en pendientes requiere mayor precaución. Si no se siente seguro en una pendiente, no la pade. Para seguridad, use el medidor de pendientes que se incluye como parte de este manual para medir la pendiente antes de operar la unidad en una zona inclinada. Si la pendiente supera los 15 grados, no la pade.

### Haga lo siguiente:

1. Mueva la podadora a través de las caras de la pendiente, nunca hacia arriba y abajo. Tenga cuidado cuando cambie de dirección cuando opere la máquina en pendientes.
2. Esté atento a los agujeros, raíces, rocas, objetos ocultos o abultamientos que puedan provocar que se derrape o se tropiece. El césped alto puede ocultar obstáculos.
3. Siempre esté seguro de su equilibrio. Si tropieza y cae puede lesionarse gravemente. Si siente que pierde el equilibrio, suelte inmediatamente la manija de control de la cuchilla y la cuchilla dejará de girar en tres (3) segundos.

### No haga lo siguiente:

1. No corte el césped cerca de pozos, hundimientos, bancos, podría perder el equilibrio.
2. No pade pendientes mayores de 15 grados como lo indica el medidor de pendientes.
3. No pade el césped húmedo. Si no está firmemente parado, puede resbalarse.

### Servicio

1. Nunca encienda un motor en espacios cerrados o en una zona con poca ventilación. El escape del motor contiene monóxido de carbono, un gas inodoro y letal.
2. Before cleaning, repairing, or inspecting, make certain the Antes de limpiar, reparar o inspeccionar la máquina, compruebe que la cuchilla y todas las partes que se mueven se han detenido. Desconecte el cable de la bujía y póngalo de manera que haga masa contra el motor para evitar que se encienda de manera accidental.
3. Revise los pernos de montaje de la cuchilla y del motor a intervalos frecuentes para verificar que estén bien apretados. Inspeccione además visualmente la cuchilla en busca de daños (abolladuras, desgaste, roturas, etc.). Reemplace la cuchilla con equipo original del fabricante (OEM) listado en este manual. "La utilización de partes que no cumplan con las especificaciones de equipos originales podría tener como resultado un rendimiento incorrecto y además la seguridad podría estar comprometida"
4. Las cuchillas de las podadoras son muy afiladas y podrían cortarlas. Envuelva la cuchilla o utilice guantes y extreme precauciones cuando le de servicio.
5. Mantenga todos los pernos, tuercas y tornillos bien ajustados para asegurarse que la máquina se encuentra en condiciones seguras de operación.
6. Nunca manipule los dispositivos de seguridad de manera imprudente. Controle periódicamente que funcionen de forma adecuada.
7. After striking a foreign object, stop the engine, disconnect the spark Después de golpear con algún objeto extraño, detenga el motor, desconecte el cable de la bujía y conecte el motor a masa. Inspeccione minuciosamente la máquina para determinar si está dañada. Repare el daño antes de encenderla y operarla.
8. Nunca trate de ajustar una rueda o la altura de corte mientras el motor está en marcha.
9. Los componentes de la tolva para recorte, cubierta de descarga y escudo de riel, están sujetos a desgaste y daños que podría dejar expuestas partes que se mueven o permitir que se arrojen objetos. Para proteger su seguridad, verifique frecuentemente todos los componentes y reemplácelos sólo con partes de los fabricantes de equipos originales (O.E.M.) listadas en este manual. "La utilización de partes que no cumplan con las especificaciones de equipos originales podría tener como resultado un rendimiento incorrecto y además la seguridad podría estar comprometida"
10. No cambie la configuración del regulador del motor ni acelere demasiado el mismo. El regulador controla la velocidad máxima segura de operación del motor.
11. Mantenga o reemplace las etiquetas de seguridad, según sea necesario.
12. Observe las leyes y normas aplicables para disponer adecuadamente de los desechos. La descarga inapropiada de líquidos o materiales puede dañar el medio ambiente.

# 2

## Prácticas de seguridad en la operación



### ADVERTENCIA:

Este símbolo indica instrucciones de seguridad importantes que de no seguirse, se podría poner en peligro la seguridad personal y/o la propiedad suya y de terceros. Lea y siga todas las instrucciones en este manual antes de iniciar la operación de esta máquina. En caso de no seguir estas instrucciones podría provocar lesiones personales. Cuando vea este símbolo

### SIGA LA ADVERTENCIA Su

### responsabilidad:

Sólo permita que usen esta máquina eléctrica las personas que lean, comprendan y respeten las advertencias y las instrucciones que aparecen en este manual y en la máquina.



# 3

## Configuración y ajustes



NOTA: Permanezca detrás de la podadora como si fuese a ponerla en funcionamiento. Su mano derecha corresponde al lado derecho de la podadora, su mano izquierda corresponde al lado izquierdo de la podadora.

### IMPORTANTE

NO doble los cables cuando eleve la manija. Asegúrese de dirigir los cables dentro de la manija inferior.

### IMPORTANTE

Esta unidad se envía sin gasolina ni aceite en el motor. Llène con gasolina y aceite como se indica en las instrucciones que se incluyen en el manual de motor adjunto **ANTES** de poner en funcionamiento su podadora.

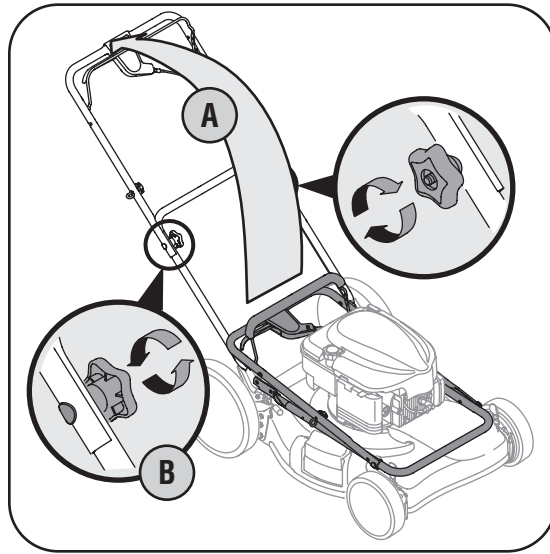


Figura 3-1

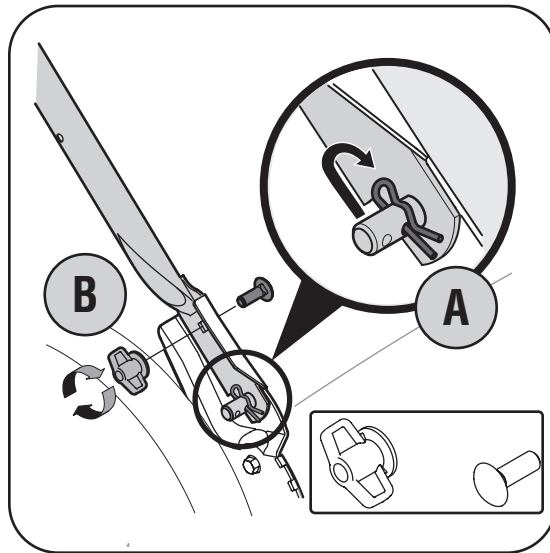


Figura 3-2

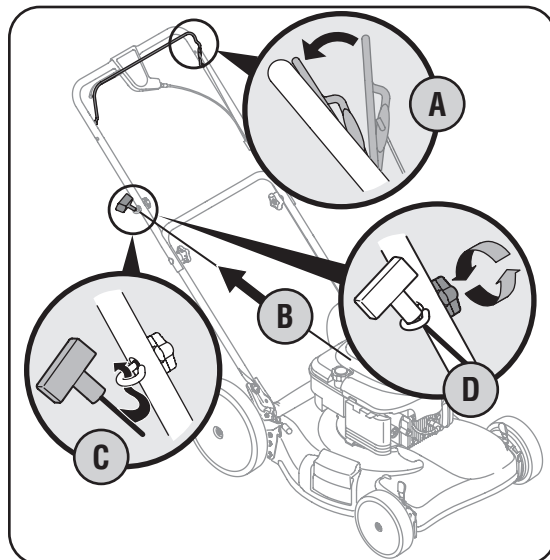


Figura 3-3

1. Retire el material de empaque que pudiera estar entre las manijas superior e inferior.
  - a. Tire y retroceda la manija superior como se muestra en la Figura 3-1. Asegúrese que la manija inferior esté asentada firmemente en los soportes de montaje de la manija.
  - b. Apriete las perillas estrella que sujetan la manija superior a la manija inferior. Asegúrese de que el bulón de carro esté apropiadamente asentado en la manija.
2. Localice el pasador de horquilla en un orificio en el pasador soldado a cada lado de la manija inferior.
  - a. Saque el pasador de horquilla de este orificio. Usando las pinzas, inserte el pasador de horquilla en el agujero interno del pasador soldado. Repita en el otro lado.
  - b. Inserte el bulón de carro del paquete de hardware en el orificio superior en el soporte de montaje de la manija. Sujete con una tuerca plástica de mariposa, que también se incluye en el paquete de hardware. Repita del otro lado con los elementos restantes del paquete de hardware.
3. La guía de la cuerda está unida al costado derecho de la manija superior. Afloje la tuerca de mariposa que sujeta la guía de la cuerda.
  - a. Sostenga el control de la cuchilla contra la manija superior.
  - b. Jale lentamente la cuerda de arranque para sacarla del motor. Suelte el control de la cuchilla.
  - c. Deslice la cuerda de arranque en la guía.
  - d. Ajuste la tuerca de mariposa.
4. Inserte los pasadores de las uniones de cables dentro de los orificios de la manija inferior. Tire de las uniones del cable apretándolas y recortando el exceso.
5. Una placa de ajuste y una palanca en cada rueda proporcionan el ajuste de la altura de corte.
  - a. Presione la palanca hacia la rueda.
  - b. Muévela a cualquiera de las nueve posiciones para la altura de corte deseada. Vea la Figura 3-4.
  - c. Suelte la palanca hacia la cubierta de la podadora.
6. Siga los pasos a continuación para ensamblar el colector de césped:
  - a. Coloque la bolsa sobre el marco de modo que el lado de plástico negro quede en el fondo.

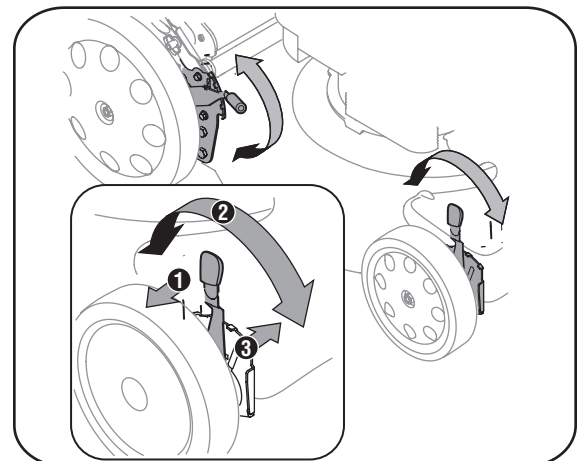


Figura 3-4

- b. Deslice el canal plástico de la bolsa sobre los ganchos en el marco. Vea Figura la 3-5. Todos los canales plásticos excepto el ubicado en la parte superior central de la bolsa se unen desde el exterior de la bolsa.
  - c. Una la parte central superior de la bolsa desde adentro de la misma.
7. Siga los pasos a continuación para ensamblar el colector de césped:
- a. Levante la puerta de descarga posterior.
  - b. Coloque el colector de césped en la varilla de pivote. Suelte la puerta de descarga de modo que descance sobre el colector de césped. Vea la Figura 3-6.

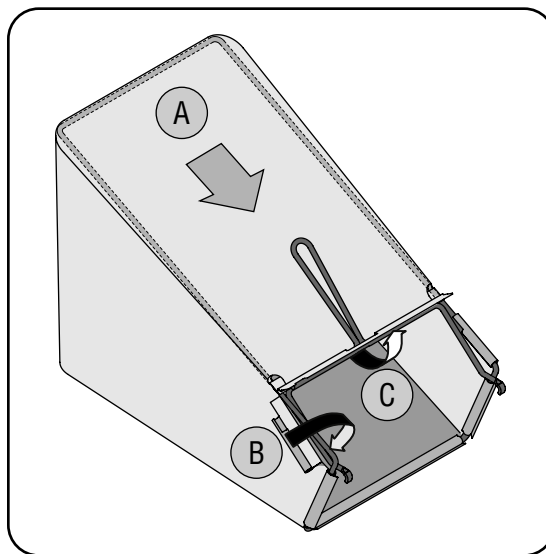


Figura 3-5

Para sacar el colector de césped o convertir a una abonadora (de venir equipada), levante la puerta posterior de descarga de la podadora, como se muestra en la Figura 3-7. Levante el colector hacia arriba y hacia afuera para sacarlo de la varilla de pivote. Suelte la puerta de descarga trasera para permitir que la misma cierre la abertura trasera de la podadora.



**ADVERTENCIA:** Nunca opere la podadora a menos que los ganchos del colector de césped estén firmemente asentados en la varilla de pivote y la puerta de descarga posterior descance firmemente contra la parte superior del colector de césped.

8. Si hace la conversión a descarga lateral, asegúrese de que el colector de césped esté fuera de la unidad y que la puerta de descarga trasera esté cerrada.
- a. Eleve la clavija de conexión para abono en el lado derecho de la podadora.
  - b. Deslice los dos ganchos del canal de descarga lateral debajo del pasador en el montaje de la clavija para abono y baje la clavija para abono lateral. Vea la Figura 3-7.

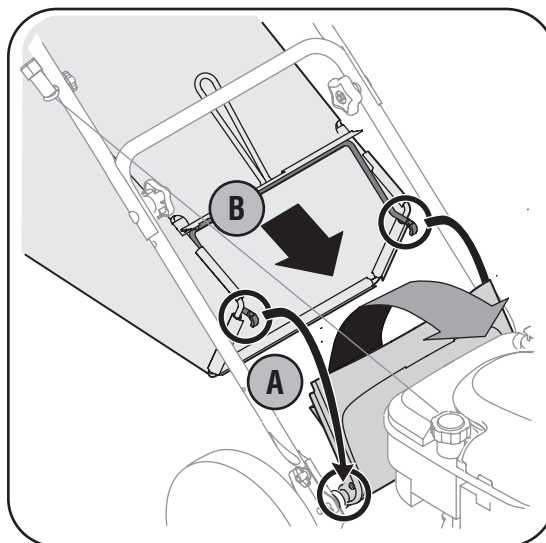


Figura 3-6

**NOTA:** No extraiga la clavija para abono lateral en cualquier momento, aún cuando no esté abonando.

9. La rueda de ajuste está ubicada en el alojamiento de la manija de control de transmisión y se utiliza para ajustar o aflojar la correa de transmisión. Deberá ajustar el control de transmisión si la podadora no se autopropulsa con el control de transmisión enganchado o si las ruedas de la podadora vacilan con el control de transmisión enganchado. Si ocurre alguna de estas condiciones, rote la rueda de ajuste en sentido de las agujas del reloj para ajustar el cable o en sentido contrario a las agujas del reloj para aflojar el cable, Figura 3-8.

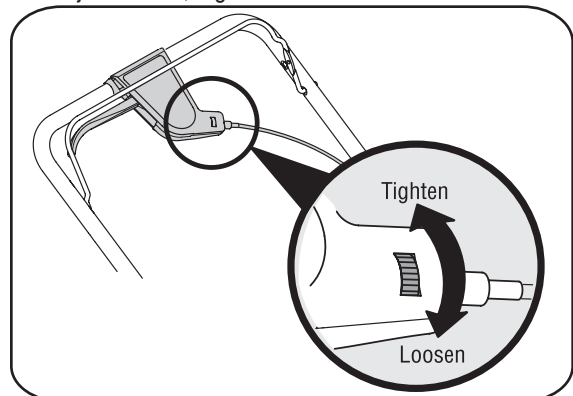


Figura 3-8

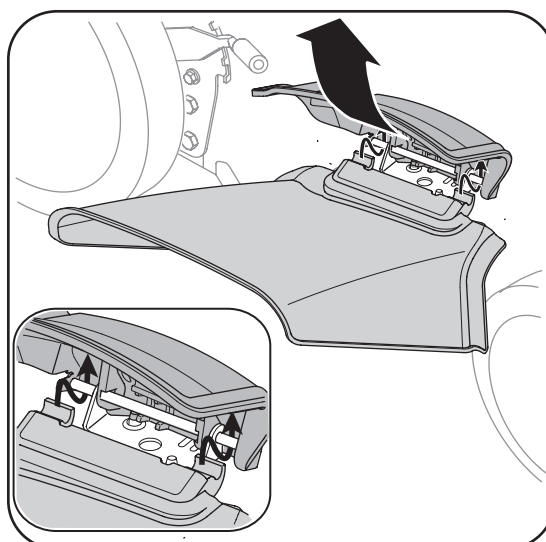


Figura 3-7

3

## Configuración y ajustes



### ALTURA DE CORTE

Todas las ruedas deben ser colocadas en la misma posición relativa.

### COLECTOR DE CESPED

Asegúrese que la bolsa para recortes está con el lado derecho hacia afuera antes de ensamblar (la etiqueta de advertencia estará hacia afuera).



## ADVERTENCIA

Nunca opere la podadora a menos que los ganchos del colector de césped estén firmemente asentados en la varilla de pivote y la puerta de descarga posterior descance firmemente contra la parte superior del colector de césped.

# 4

## Funcionamiento de la podadora



### ADVERTENCIA

Este mecanismo de control de la cuchilla es un dispositivo de seguridad. Nunca intente anular su funcionamiento.

Tenga extremo cuidado cuando manipule gasolina. La gasolina es altamente inflamable y sus vapores pueden causar explosiones. Nunca agregue combustible a la máquina en interiores o mientras el motor está caliente o en funcionamiento. Apague los cigarrillos, cigarros, pipas y otras fuentes de combustión.

Mantenga sus manos y pies alejados del área de corte y de la tolva. Consulte la etiqueta de advertencias en la unidad.

## Know Your Lawn Mower

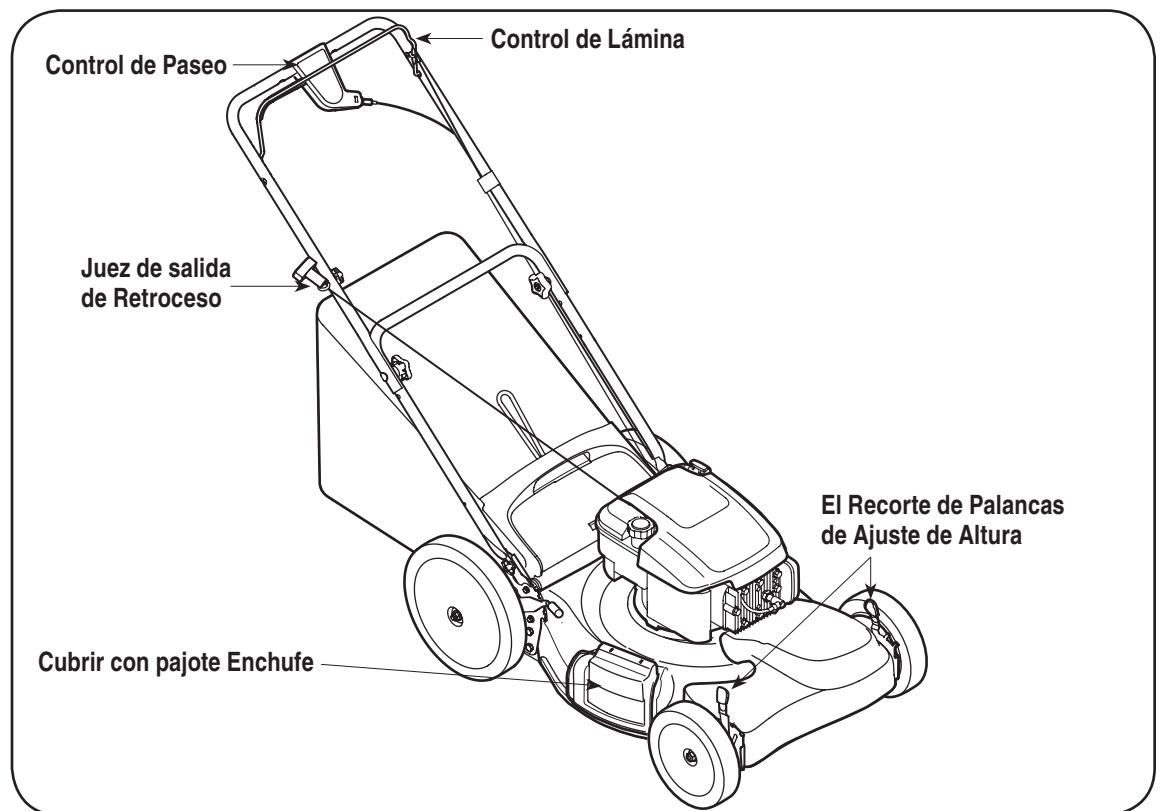


Figura 4-1

Ahora que ya ha ajustado su podadora para su funcionamiento, familiarícese con sus controles y características. Estos se describen y se ilustran en esta página. Este conocimiento le permitirá utilizar su nuevo equipo a su máxima capacidad.

### Control de cuchilla

La manija de control de la cuchilla está unida a la manija superior. Presione la manija de control de la cuchilla contra la manija superior para operar la unidad. Suelte la manija de control de la cuchilla para detener el motor y la cuchilla.



**ADVERTENCIA:** Este mecanismo de control de la cuchilla es un dispositivo de seguridad. Nunca intente anular su funcionamiento.

### Control de la transmisión

El control de transmisión se encuentra ubicado por debajo de la manija superior y se utiliza para enganchar la transmisión. Apriételo contra la manija superior para enganchar la transmisión, libérela para disminuir la velocidad o detener la podadora. Vea la Figura 4-1.

### Clavija para abono

La opción de abono se utiliza únicamente para propósitos de abono. En lugar de recolectar los recortes de césped en el recolector de césped, su podadora tiene la opción de recircular los cortes y enviarlos nuevamente al césped. Asegúrese de que la puerta de descarga trasera esté cerrada y el recolector de césped se haya extraído de la unidad mientras esté abonando.

### Palancas de ajuste de la altura de corte

Estas palancas están ubicadas una en cada rueda y se usan para corregir la altura de corte. Las cuatro palancas tienen que estar en la misma posición relativa para asegurar un corte uniforme.

### Arrancador de retroceso

El arrancador de retroceso está unido a la manija superior derecha. Para encender la unidad colóquese detrás de la misma y tire de la cuerda del arrancador de retroceso.

### Llenado de gasolina y aceite

1. Verifique el nivel del aceite y agregue más de ser necesario. Siga las instrucciones del manual del motor. Vea la ubicación del tapón de llenado de aceite en la figura 4-1.
2. Realice el servicio del motor con gasolina como se indica en el manual del motor. Vea la ubicación del tapón de llenado de combustible en la figura 4-1.



**ADVERTENCIA:** Tenga extremo cuidado cuando manipule gasolina. La gasolina es altamente inflamable y sus vapores pueden causar explosiones. Nunca agregue combustible a la máquina en interiores o mientras el motor está caliente o en funcionamiento. Apague los cigarrillos, cigarros, pipas y otras fuentes de combustión.



**ADVERTENCIA:** Al operar una podadora puede ser que objetos extraños sean arrojados a los ojos, lo cual puede dañarlos gravemente. Utilice siempre gafas de seguridad durante la operación de la podadora o mientras la ajusta o la repara.

## Encendido del motor

### Briggs & Stratton/Tecumseh

1. Oprima el cebador tres veces. Espere aproximadamente dos segundos entre cada presión. Vea la Figura 4-2. En climas con temperaturas de alrededor de 55° F o menos, oprima el cebador cinco veces. No debe el motor caliente para reiniciarlo luego de una detención breve.
2. Colóquese detrás de la podadora, apriete la manija de control de la cuchilla y sosténgala contra la manija superior. Ver la Figura 4-2.
3. Sostenga firmemente las dos manijas juntas, tome la manija del arrancador de retroceso y tire de la cuerda para sacarla con un movimiento rápido y continuo. Vea la Figura 4-2. Mantenga firme la manija del arrancador, deje que la cuerda regrese lentamente al arrancador. Repita hasta que el motor esté en marcha. Deje que la cuerda se enrolle lentamente de regreso.

### Honda

1. Coloque la palanca de la válvula de combustible en el lado izquierdo del motor en la posición de ON. Vea el inserto de la Figura 4-3.
2. Colóquese detrás de la podadora, apriete la manija de control de la cuchilla y sosténgala contra la manija superior. Vea la Figura 4-3.
3. Sostenga firmemente las dos manijas juntas, tome la manija del arrancador de retroceso y tire de la cuerda para sacarla con un movimiento del brazo rápido, continuo y total. Vea la figura 4-3. Mantenga firme la manija del arrancador, deje que la cuerda regrese lentamente al arrancador. Repita hasta que el motor esté en marcha. Deje que la cuerda se vuelva a enrollar lentamente.

### Detención del motor

1. Suelte la manija de control de la cuchilla para detener el motor y la cuchilla.
2. Desconecte el cable de la bujía y póngalo de manera que haga masa contra el motor.



**ADVERTENCIA:** Espere a que la cuchilla se haya detenido por completo antes de hacer cualquier trabajo en la podadora o de retirar el colector de césped.

### Uso de la podadora de césped

Asegúrese que el césped está libre de piedras, palos, cables u otros objetos que pudiesen dañar la cortadora o el motor. Dichos objetos pueden ser arrojados accidentalmente por la podadora en cualquier dirección y provocar lesiones personales graves al operador y a otras personas.



**ADVERTENCIA:** Si golpea un objeto extraño, detenga el motor. Retire el cable de la bujía, inspeccione la podadora para ver que no tenga daños, y repare el daño antes de reiniciar y operar la podadora. La vibración excesiva de la podadora durante la operación es una indicación de daño. Se debe inspeccionar y reparar la unidad lo antes posible.

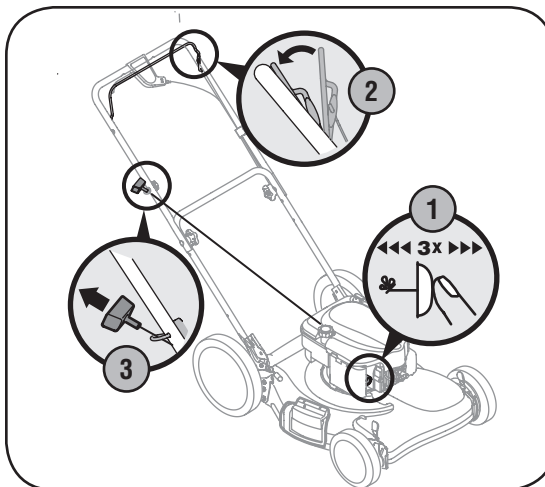


Figura 4-2

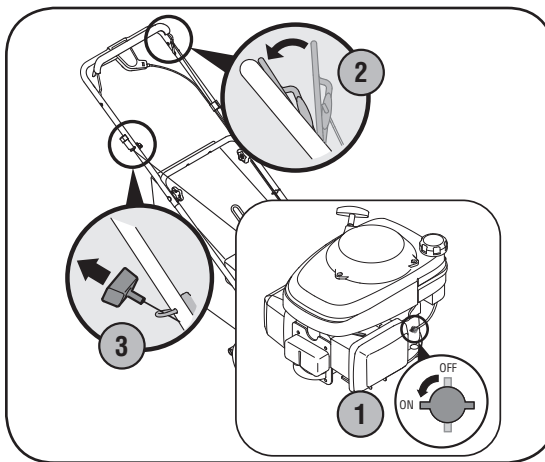


Figura 4-3

### Uso como abonadora

Para abonar el césped, quite el colector de césped de la máquina. La puerta de descarga posterior deberá estar cerrada.

1. Para un abono eficiente, no corte césped húmedo.
2. El césped nuevo o grueso podría requerir un corte más estrecho. Ajuste la velocidad de piso de acuerdo con la condición del césped.
3. Si el césped ha crecido más de 10,2 cm. (4 pulg.) no se recomienda el uso de la podadora como abonadora. En ese caso, use el colector de césped para embolsar los recortes.

### Uso del colector de césped

Puede utilizar el colector de césped para recoger dichos recortes mientras opera la podadora.

1. Acople el colector de césped siguiendo las instrucciones de la página 7. Los recortes de césped se recolectarán automáticamente en la bolsa a medida que pase la podadora. Opere la podadora hasta que la bolsa de recolección esté llena.
2. Detenga el motor por completo soltando la manija de control de la cuchilla. Compruebe que la unidad se haya detenido por completo.
3. Para deshacerse de los recortes de césped levante la puerta de descarga y tire de la bolsa de recolección hacia arriba, apartándola de la podadora.

# 4

## Funcionamiento de la podadora



### ADVERTENCIA

Al operar una podadora puede ser que objetos extraños sean arrojados a los ojos, lo cual puede dañarlos gravemente. Utilice siempre gafas de seguridad durante la operación de la podadora o mientras la ajusta o la repara.

Asegúrese que ninguna persona aparte del operador permanezca cerca de la podadora mientras arranca el motor u opera la misma. Nunca encienda un motor en espacios cerrados o en una zona con poca ventilación. El escape del motor contiene monóxido de carbono, un gas inodoro y letal. Mantenga las manos, los pies, el cabello y la ropa suelta alejados de las partes móviles del motor y de la podadora.



# 5

## Mantenimiento de la podadora



### ADVERTENCIA

Detenga siempre el motor, desconecte la bujía y haga masa contra el motor antes de limpiar, lubricar o hacer llevar a cabo cualquier clase de mantenimiento en su máquina.



No recomendamos el uso de lavadoras a presión ni mangueras de jardín para limpiar su unidad. Éstas pueden producir daños a los componentes eléctricos, engranajes, poleas, cojinetes o al motor. El uso de agua acortará la vida útil de la máquina y reducirá su capacidad de servicio.

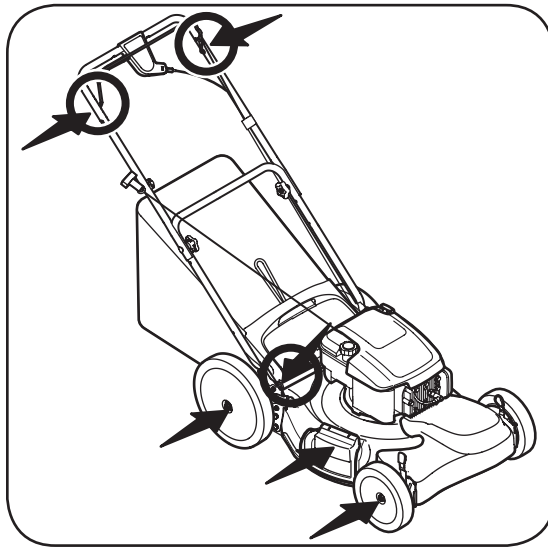


Figura 5-1

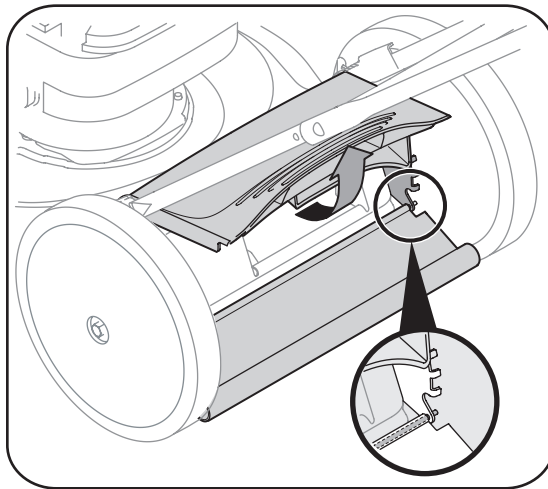


Figura 5-2

### Recomendaciones generales

1. Respete siempre las reglas de seguridad cuando realice tareas de mantenimiento.
2. La garantía de esta podadora no cubre elementos que han estado sujetos al mal uso o la negligencia del operador. Para recibir el reembolso total de la garantía, el operador deberá dar mantenimiento a la podadora como se indica en este manual.
3. El cambio de la velocidad controlada del motor invalidará la garantía del motor.
4. Todos los ajustes deben ser verificados por lo menos una vez en cada estación.
5. Revise periódicamente todos los sujetadores y compruebe que estén bien ajustados.



**ADVERTENCIA:** Detenga siempre el motor, desconecte la bujía y haga masa contra el motor antes de limpiar, lubricar o hacer llevar a cabo cualquier clase de mantenimiento en su máquina.

### Lubricación

1. Lubrique con aceite ligero los puntos de pivote de la manija de control de la cuchilla al menos una vez

cada estación. El control de la cuchilla debe funcionar libremente en ambas direcciones. Vea la Figura 5-1.

2. Lubrique las ruedas por lo menos una vez por temporada con aceite ligero o aceite para motor. Sin embargo, si las ruedas se quitan por cualquier razón, debe lubricar la superficie del brazo giratorio y la superficie interna de la rueda con aceite ligero. Vea la Figura 5-1.
3. Lubrique el resorte de torsión y el punto de pivote de la puerta trasera de descarga periódicamente con aceite ligero para prevenir la oxidación. Vea la Figura 5-1.
4. La transmisión estado prelubricada y sellada en la fábrica y no requiere lubricación.
5. Siga el manual adjunto del motor para conocer las instrucciones y el programa de lubricación del mismo

### Cuidado de la cubierta

Debe limpiar la parte inferior de la plataforma de la podadora después de cada uso para prevenir la acumulación de recortes de césped, hojas, suciedad u otros desechos. Si se acumulan desechos, resultará en la formación de óxido y corrosión.

1. Desconecte el cable de la bujía. Drene la gasolina de la podadora o coloque un trozo de plástico debajo del tapón de llenado del combustible.
2. Incline la podadora de manera que quede apoyada sobre la caja. Mantenga hacia arriba el lado donde se encuentra el filtro de aire. Sostenga firmemente la podadora.



**ADVERTENCIA:** Nunca incline la podadora más de 90 grados en ninguna dirección y no deje la podadora inclinada en ningún caso.

- Se puede filtrar aceite dentro de la parte superior del motor y causar problemas de arranque.
3. Raspe y limpie la parte inferior de la plataforma mediante el uso de una herramienta adecuada. No la rocíe con agua.
  4. Vuelva a colocar la podadora sobre sus ruedas en el suelo. Si puso un plástico debajo del tapón de llenado de combustible asegúrese de sacarlo en este momento.

### Cuidados para el motor

A continuación se presenta una lista de tareas de mantenimiento necesarias para el buen funcionamiento de la podadora. Siga el manual adjunto del motor para la lista detallada y las instrucciones.

1. Verifique el nivel de aceite como se indica en el manual.
2. Limpie el filtro de aire cada 25 horas en condiciones normales de uso. Limpie a intervalos de pocas horas cuando haya mucho polvo. Consulte el manual del motor.
3. Limpie la bujía y restablezca la distancia disruptiva por lo menos una vez por temporada. Consulte el manual del motor para conocer las especificaciones para el tipo de bujía y la distancia disruptiva correctas.
4. Limpie el motor regularmente con un trapo o cepillo. Mantenga limpio el sistema de enfriamiento (área del soplador) para permitir la circulación apropiada de aire. Quite todo el césped, polvo y residuos del área del silenciador.

### Reemplazo de alerón trasero

1. Para retirar el alerón trasero, corte el extremo plano de la varilla de alambre que lo sujeta a la cubierta. Vea la Figura 5-2.
2. Instale el nuevo alerón y la nueva varilla en la cubierta, doblando los extremos de la nueva varilla para sujetarla a la cubierta.



## Cuidado de la cuchilla



**ADVERTENCIA:** Cuando saque la cuchilla para afilarla o reemplazarla, protéjase las manos usando un par de guantes para trabajo pesado o un trapo grueso para sostener la cuchilla.

1. Desconecte el cable de la bujía. Gire la podadora sobre el costado y compruebe que el filtro de aire y el carburador queden hacia arriba.
2. Retire del cigüeñal del motor el perno, el soporte de campana de la cuchilla, la cuchilla y el adaptador de la cuchilla. Vea la Figura 5-3.
3. Se puede afilar la cuchilla con una lima o con una rueda abrasiva. No intente afilar la cuchilla mientras se encuentra instalada en la podadora. Cuando afile la cuchilla, siga el ángulo original de afilado. Afile los bordes de corte por igual para mantener el equilibrio de la hoja.
4. Saque la cuchilla del adaptador para comprobar el equilibrio. Balancee la cuchilla sobre un destornillador de eje redondo para inspeccionarla. Saque metal del lado pesado hasta que quede bien equilibrada.



**WARNING:** An unbalanced blade will cause excessive vibration when rotating at high speeds. It may cause damage to mower, and could break causing personal injury.

5. Lubrique el cigüeñal del motor y la superficie interna del adaptador de la cuchilla con aceite ligero. Deslice el adaptador de la cuchilla sobre el cigüeñal del motor. Instale la cuchilla con el lado marcado "Bottom" (inferior) con el número de parte hacia el piso cuando la podadora está en posición de operación. Asegúrese que la cuchilla quede alineada y asentada en las bridas de su adaptador.
6. Coloque el soporte de campana de la cuchilla en la misma. Alinee las muescas del soporte de campana de la cuchilla con los orificios pequeños de la cuchilla. Vuelva a colocar el perno hexagonal y ajústelo según los siguientes valores de torsión: 450 pulg. libras mínimo, 600 pulg. libras máximo. Para asegurar la operación segura de la podadora revise periódicamente el perno de la cuchilla para determinar si está bien ajustado.

## Cuidado de la correa

1. Extraiga dos los tornillos con reborde asegurando la cubierta frontal a la cubierta de la podadora. Vea la Figura 5-4. Presione hacia adentro sobre los laterales de la cubierta frontal y suelte las aletas que la aseguran a las ménsulas del ajustador de altura. Quite la cubierta de la podadora.
2. Tire hacia arriba del alambre de la guarda de la correa y extráigala de la polea de transmisión. Vea el inserto de la Figura 5-4.
3. Haga rodar la correa fuera de la polea de transmisión. Incline la podadora sobre su lado con el filtro de aire hacia arriba para llegar a la correa desde la parte inferior de la podadora. Deslice la correa fuera de la polea del motor y enrosque a través de la abertura dentro de la ménsula de la guarda de la correa. Luego retire la correa de la cuchilla extrayendo un extremo por vez. Vea la Figura 5-5.
4. Reemplace por una nueva correa, colocándola alrededor de la cuchilla y a través de la ménsula de la guarda de la correa. Asegúrese de que la correa está firmemente

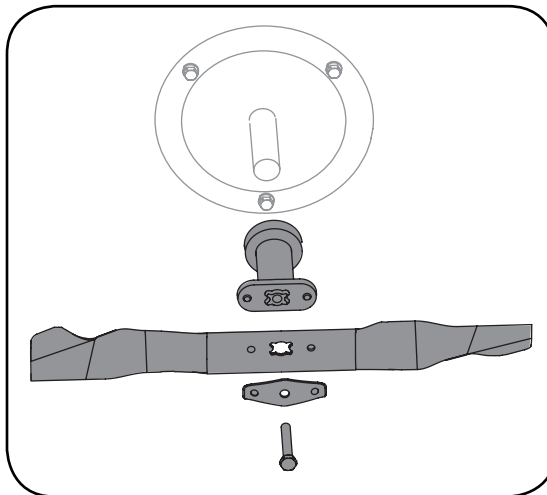


Figure 5-3

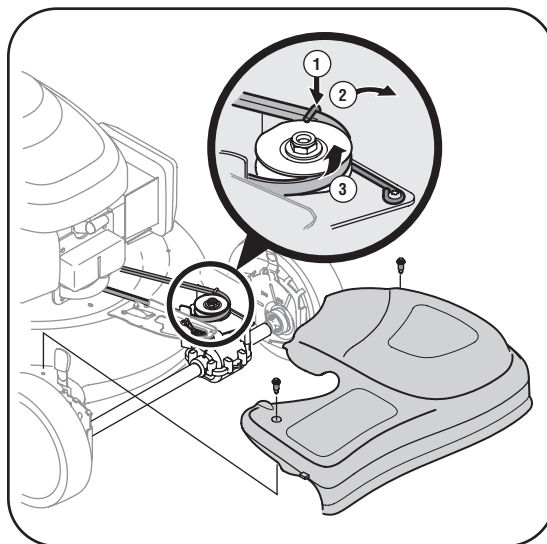


Figure 5-4

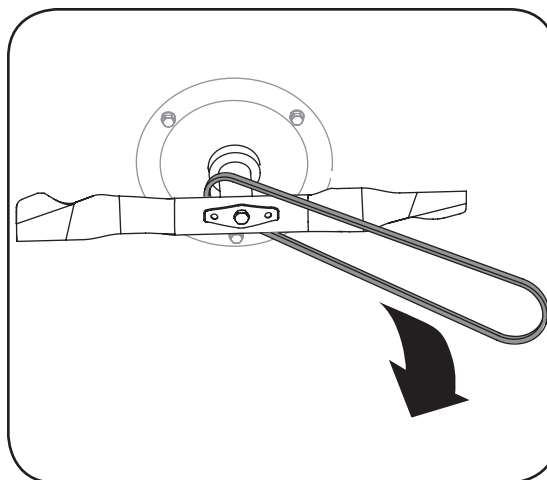


Figure 5-5

asentada sobre la polea del motor mientras tira del otro lado y la desliza alrededor de la polea de transmisión. Coloque nuevamente el alambre de la guarda de la correa en su posición operativa y ajústelo dentro de la ranura prevista. Reensamble la cubierta frontal.

# 5

## Mantenimiento de la podadora



## ADVERTENCIA

Cuando saque la cuchilla para afilarla o reemplazarla, o cuando deslice la correa alrededor de la misma, protéjase las manos usando un par de guantes para trabajo pesado o un trapo grueso para sostener la cuchilla.

Si la cuchilla está desequilibrada generará vibraciones excesivas cuando rote a altas velocidades. Esto puede producir daños a la podadora, y se puede romper, causando así lesiones personales.

# 6

## Solución de problemas



*Si debe realizar reparaciones más importantes que las enunciadas aquí, comuníquese con el distribuidor local autorizado.*

Problema	Causa	Remedio
El motor no arranca	<ol style="list-style-type: none"> <li>1. El control de lámina se retiró.</li> <li>2. Alambre de bujía desconectado.</li> <li>3. Depósito de combustible combustible vacío o añejo.</li> <li>4. La válvula de combustible se cerró. (De ser equipado)</li> <li>5. Bujía defectuosa.</li> <li>6. Línea de combustible bloqueada.</li> <li>7. El motor se desbordó.</li> <li>8. Fusible quemado. (Principio Eléctrico Sólo)</li> </ol>	<ol style="list-style-type: none"> <li>1. Contratar el control de lámina.</li> <li>2. Unir el alambre a la bujía.</li> <li>3. Llenar el tanque de la gasolina limpia, fresca.</li> <li>4. Válvula de combustible abierta. Ver el manual de motor.</li> <li>5. Limpio, ajuste el hueco, o sustituir.</li> <li>6. Línea de combustible limpia.</li> <li>7. Esperar unos minutos para reactivarse.</li> <li>8. Sustituya el fusible (ver la sección de Mantenimiento)</li> </ol>
El motor funciona de manera errática	<ol style="list-style-type: none"> <li>1. El cable de la bujía está flojo.</li> <li>2. La línea del combustible está tapada o el combustible es viejo.</li> <li>3. La ventilación en la tapa del combustible está obstruida.</li> <li>4. Agua o suciedad en el sistema del combustible.</li> <li>5. El filtro de aire está sucio.</li> <li>6. Es necesario ajustar el carburador.</li> </ol>	<ol style="list-style-type: none"> <li>1. Conecte y ajuste el cable de la bujía.</li> <li>2. Limpie la línea del combustible; llene el tanque con gasolina limpia y fresca</li> <li>3. Destape la ventilación.</li> <li>4. Vacíe el tanque del combustible. Vuelva a llenarlo con combustible limpio.</li> <li>5. Consulte el manual del motor.</li> <li>6. Consulte el manual del motor.</li> </ol>
El motor recalienta	<ol style="list-style-type: none"> <li>1. El nivel de aceite del motor es bajo.</li> <li>2. Flujo de aire restringido.</li> <li>3. El carburador no está ajustado correctamente.</li> </ol>	<ol style="list-style-type: none"> <li>1. Llene el cárter con aceite adecuado.</li> <li>2. Retire el alojamiento del soplador y límpielo.</li> <li>3. Consulte el manual del motor.</li> </ol>
Saltos ocasionales (pausas) a alta velocidad	<ol style="list-style-type: none"> <li>1. La distancia disruptiva de la bujía es muy pequeña.</li> <li>2. Ajuste de la mezcla del carburador mal realizada.</li> </ol>	<ol style="list-style-type: none"> <li>1. Ajuste la distancia disruptiva a 0,76 mm (0,03 pulg).</li> <li>2. Consulte el manual del motor.</li> </ol>
Funciona mal en marcha lenta	<ol style="list-style-type: none"> <li>1. Bujía atorada, averiada o exceso de distancia disruptiva.</li> <li>2. Carburador ajustado incorrectamente.</li> <li>3. El filtro de aire está sucio.</li> </ol>	<ol style="list-style-type: none"> <li>1. Reajuste la distancia disruptiva a 0,76 mm (0,03) o reemplace la bujía.</li> <li>2. Consulte el manual del motor.</li> <li>3. Consulte el manual del motor.</li> </ol>
Demasiada vibración	<ol style="list-style-type: none"> <li>1. Cuchilla floja o desequilibrada.</li> <li>2. Cuchilla abollada.</li> </ol>	<ol style="list-style-type: none"> <li>1. Apriete la cuchilla y el adaptador Equilibre la cuchilla</li> <li>2. Consulte a un distribuidor autorizado.</li> </ol>
La podadora no abona el césped (si viene equipada)	<ol style="list-style-type: none"> <li>1. Césped húmedo.</li> <li>2. Césped excesivamente alto.</li> <li>3. La cuchilla de la cortadora no está afilada.</li> </ol>	<ol style="list-style-type: none"> <li>1. No corte el césped cuando está mojado, espere hasta que sea más tarde para hacerlo.</li> <li>2. Pude una vez a una altura de corte elevada y luego vuelva a realizar el corte a la altura deseada, o siga una ruta de corte más estrecha.</li> <li>3. Afile o cambie la cuchilla.</li> </ol>
Corte desigual	<ol style="list-style-type: none"> <li>1. La posición de las ruedas no es correcta.</li> <li>2. La cuchilla de la cortadora no está afilada.</li> </ol>	<ol style="list-style-type: none"> <li>1. Coloque las cuatro ruedas en la misma posición de altura.</li> <li>2. Afile o cambie la cuchilla.</li> </ol>
La podadora no avanza por sí misma	<ol style="list-style-type: none"> <li>1. Correa mal instalada.</li> <li>2. Hay desechos bloqueando el funcionamiento de la transmisión.</li> <li>3. Correa dañada o desgastada.</li> </ol>	<ol style="list-style-type: none"> <li>1. Compruebe la correa para ver si la polea está bien instalada y se mueve correctamente.</li> <li>2. Detenga el motor, desconecte el cable de la bujía y limpie los desechos.</li> <li>3. Inspeccione y cambie el perno.</li> </ol>

## Almacenamiento fuera de temporada

Se deben seguir estos pasos para la preparación de la podadora para su almacenamiento.

1. Limpie y lubrique la podadora como se describe en las instrucciones de lubricación.
2. No recomendamos el uso de una limpiadora a presión o manguera de jardín para limpiar su unidad.
3. Consulte el manual del motor para conocer las instrucciones para el almacenamiento correcto del mismo

4. Cubra la cuchilla con grasa para chasis para impedir la oxidación.

5. Almacene la unidad en una zona limpia y seca. No la almacene cerca de materiales corrosivos como por ejemplo fertilizantes.

Cuando almacene cualquier tipo de equipo eléctrico en un galpón de depósito metálico o con poca ventilación, tenga especial cuidado de realizarle un tratamiento antioxidante al equipo. Use aceite ligero o silicón para recubrir el equipo, especialmente los cables y partes móviles de su podadora antes de almacenarla.



# 7

## Almacenamiento Fuera de Temporada Y Etiquetas de seguridad



### ADVERTENCIA:

NO retire las etiquetas de seguridad de la podadora.

# GARANTÍA LIMITADA DEL FABRICANTE PARA:



La garantía limitada que se extiende a continuación es otorgada por la empresa Troy-Bilt LLC y cubre mercaderías nuevas compradas y utilizadas en los Estados Unidos, sus posesiones y territorios.

"Troy-Bilt" garantiza este producto por defectos de materiales y de fabricación por un período de dos (2) años a partir de la fecha de la compra original y reparará o cambiará sin cargo cuando lo considere pertinente todas las piezas con defectos de materiales o de fabricación. Esta garantía limitada sólo se aplicará si el producto ha sido operado y mantenido de acuerdo con las instrucciones del manual del operador que se proporcionan con el producto y no ha sido sujeto a uso inapropiado, abuso, uso comercial, abandono, accidente, mantenimiento incorrecto, alteración, vandalismo, robo, incendio, inundación o algún daño debido a otro peligro o desastre natural. El daño resultante por la instalación o el uso de piezas, accesorios o uniones no aprobados por Troy-Bilt para su uso con el(los) producto(s) incluido(s) en este manual anulará la garantía en lo que respecta a esos daños. Se garantiza que las piezas con desgaste normal están libres de defectos en los materiales o de fabricación por un período de treinta (30) días a partir de la fecha de compra.

Las piezas o componentes sujetos a desgaste normal incluyen pero no se limitan a: baterías, bandas, hojas, adaptadores para hojas, bolsas para pasto, ruedas para la plataforma, asientos, zapatas anti-deslizantes, placas, gomas de corte y neumáticos.

**CÓMO SOLICITAR Y OBTENER SERVICIO TÉCNICO:** El servicio de la garantía está disponible, CON PRUEBA DE COMPRA A TRAVÉS DEL DISTRIBUIDOR LOCAL AUTORIZADO PARA EL MANTENIMIENTO. Para localizar al distribuidor en su área, busque en las páginas amarillas de su localidad o contacte a Troy-Bilt LLC al Apartado Postal 361131, Cleveland, Ohio 44136-0019, o llame al 1-866-840-6483 o 1-330-558-7220 o entre a la página Web en [www.troybilt.com](http://www.troybilt.com).

Esta garantía limitada **no** lo cubrirá en los siguientes casos:

- El motor y las piezas componentes presentes. Estos productos tienen una garantía del fabricante por separado. Consulte los términos y condiciones de la garantía aplicable del fabricante.
- Las bombas para el corte de madera, las válvulas y los cilindros tienen una garantía independiente de un año.
- Los artículos necesarios para el mantenimiento de rutina como por ejemplo lubricantes, filtros, afiladores de hojas, los ajustes de los frenos, del embrague o de la plataforma y el deterioro normal del acabado exterior debido al uso o exposición.
- Servicio no realizado por el distribuidor autorizado para el mantenimiento.

- Troy-Bilt no extiende ninguna garantía para los productos vendidos o exportados fuera de los Estados Unidos de América, sus posesiones y territorios, excepto para aquellos vendidos a través de los canales autorizados de distribución de exportaciones de Troy-Bilt.
- Piezas de reemplazo que no son piezas genuinas de Troy-Bilt.
- Gastos de transporte e llamadas por servicios técnicos.

**No se aplican garantías implícitas, incluidas las garantías implícitas de comerciabilidad o de adecuación para un propósito determinado, después del período de aplicación de la garantía escrita expresa extendida más arriba para las piezas de acuerdo con su identificación. Ninguna otra garantía expresa, oral o escrita, excepto la mencionada anteriormente, extendida por personas o personas jurídicas, incluidos los distribuidores o los minoristas con respecto a los productos obligará a Troy-Bilt. Durante el plazo de la garantía el único recurso es la reparación o reemplazo del producto como se indicó anteriormente.**

**Las disposiciones incluidas en esta garantía proveen el recurso único y exclusivo que surge de las ventas. Troy-Bilt no será responsable por pérdidas o daños incidentales o directos, incluyendo sin límites los gastos incurridos para los servicios de cuidado del pasto de reemplazo o cambio, o los gastos de alquiler para reemplazar de manera transitoria un producto bajo garantía.**

Algunos estados no permiten la exclusión o limitación de los daños y perjuicios incidentales o directos, o las limitaciones sobre la duración de las garantías implícitas por lo que las exclusiones o limitaciones mencionadas anteriormente pueden no serle de aplicación.

En ningún caso se obtendrá una compensación mayor al monto del precio de compra del producto vendido. **La alteración de las características de seguridad del producto anulará esta garantía.** Usted asume el riesgo y la responsabilidad por las pérdidas, daños o lesiones que sufra Usted y sus bienes y / o otras personas y sus bienes como consecuencia del uso, del uso incorrecto o de la imposibilidad de uso de este producto.

Esta garantía limitada alcanza solamente al comprador original, al arrendatario original o a la persona que recibió el producto de regalo.

**CÓMO SE RELACIONA LA LEGISLACIÓN ESTATAL CON ESTA GARANTÍA:** Esta garantía limitada le otorga derechos legales específicos y puede también contar con otros derechos que varían de un estado a otro.

**IMPORTANTE:** El propietario debe presentar prueba de compra original para obtener la cobertura de la garantía.