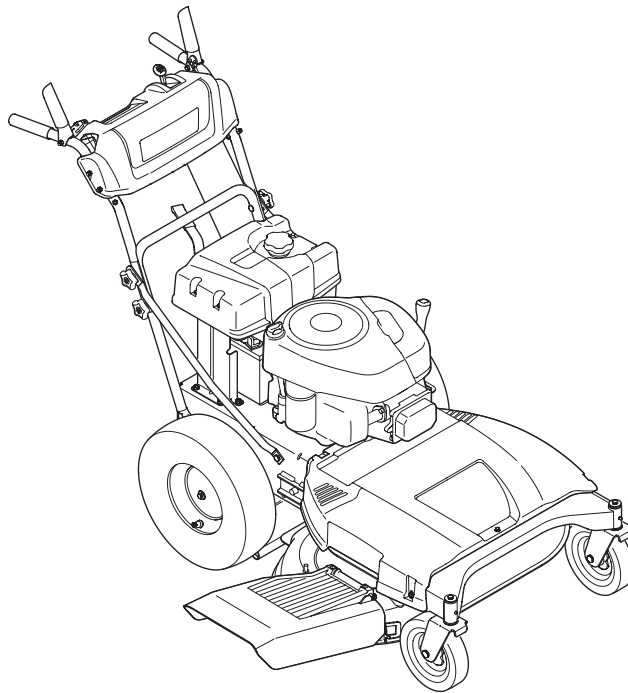




ILLUSTRATED PARTS MANUAL



33" Wide Cut Mower — Model TB WC33 XP

TROY-BILT LLC, P.O. BOX 361131 CLEVELAND, OHIO 44136-0019

To The Owner

Thank you for purchasing an MTD Wide Cut Mower. It was carefully engineered to provide excellent performance when properly operated and maintained.

All information in this manual is relative to the most recent product information available at the time of printing. Please be aware that this Illustrated Part's Manual may cover a range of product specifications for various models.

Components listed and/or illustrated in this manual may not be applicable to all models. We reserve the right to change product specifications, designs and equipment without notice and without incurring obligation.

Throughout this manual, all references to *right* (RH) and *left* (LH) are observed from the operating position.

Table of Contents

Drive and Deck 4
Dash..... 6

Record Product Information

To ease in ordering replacement parts, please locate the model plate on the equipment and record the information in the provided area to the right. You can locate the model plate by looking beneath the seat.

MODEL NUMBER

--	--	--	--	--	--	--	--	--	--	--	--

SERIAL NUMBER

--	--	--	--	--	--	--	--	--	--	--	--

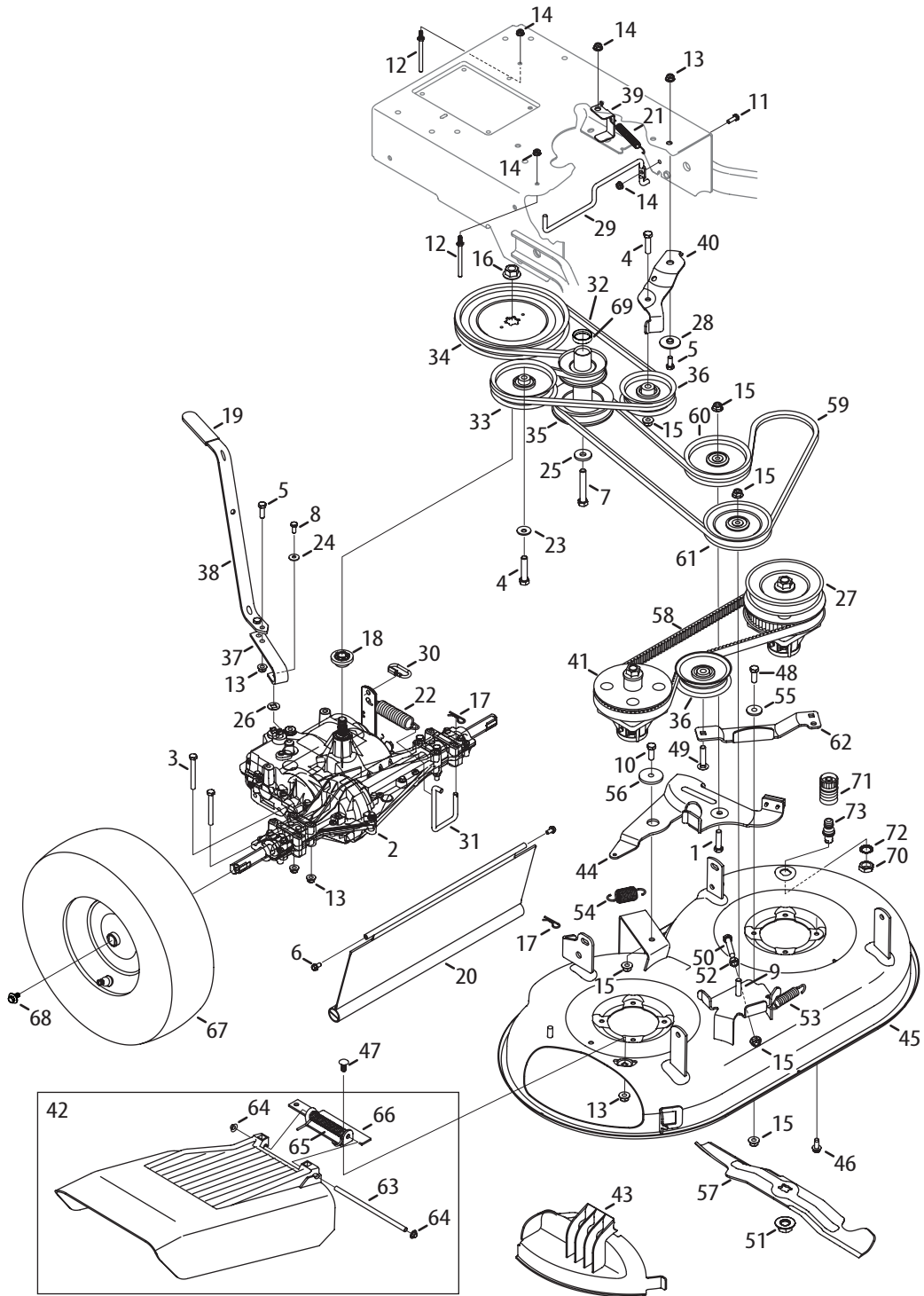
Painted Parts

When ordering painted service parts, a four digit color suffix must be added to the part number (e.g. 783-XXXX-0637). Please refer to the table below for current color codes:

0637	Black	0674	Yellow (Yard-Man)
0709	Dark Green (Bolens, Yard-Man)	0650	Metallic Red (White Outdoor)
0662	Oyster Gray (MTD Gold)	0629	Silver Flake (MTD Platinum)
0638	Red (Yard Machines, Huskee, Troy-Bilt, MTD)	04038	Day Orange (Daedong)
0691	Black Jack (MTD Gold, MasterCut)	04033	Flint Mica (Troy-Bilt XP)

This page intentionally left blank.

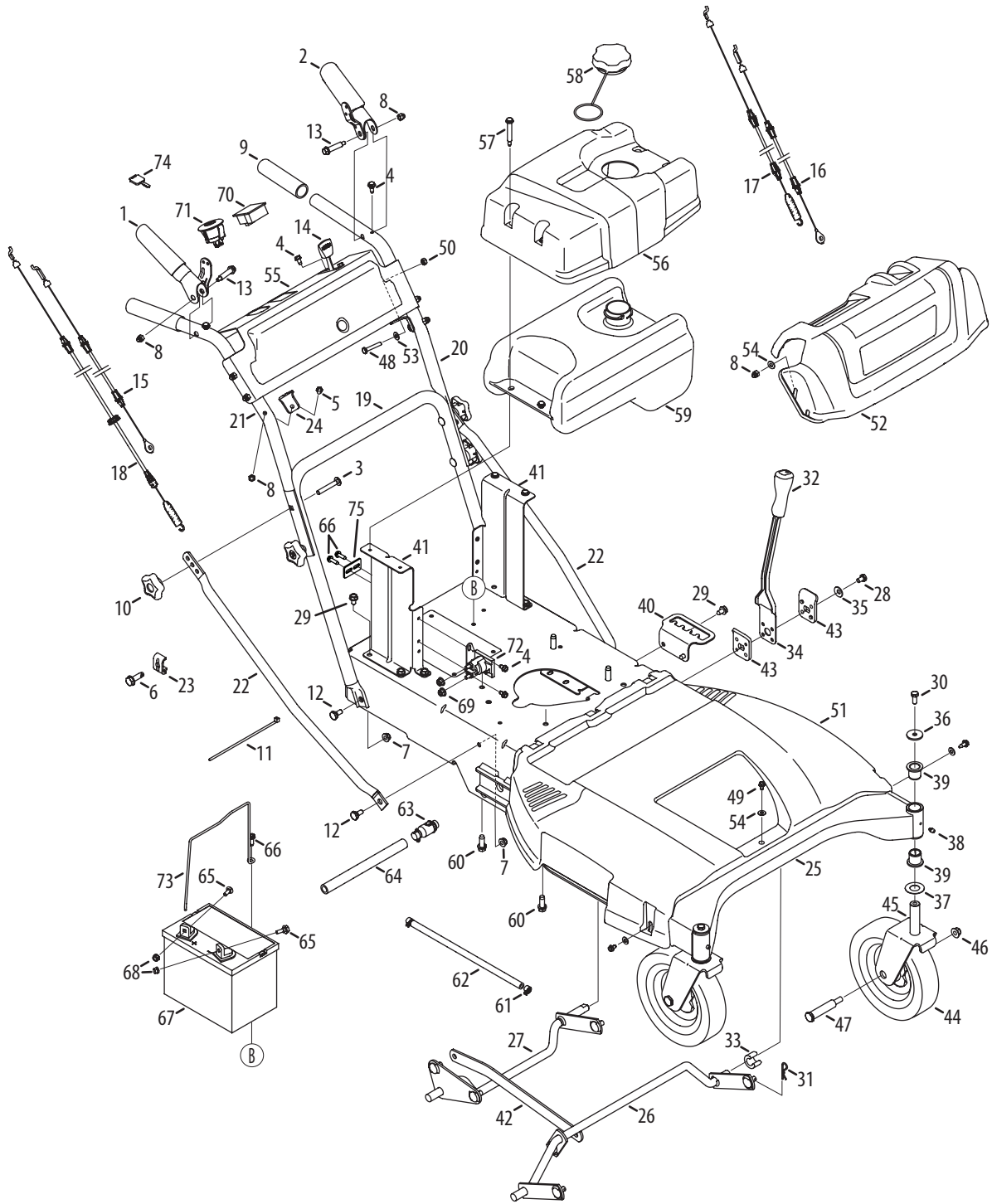
TB WC33 XP (12AE763Z)



Ref.	Part Number	Description
1	710-3005	Hex Head Cap Screw, 3/8-16 x 1.75
2	918-04639	4 Speed Drive Assembly, Tecumseh
3	710-0176	Hex Head Cap Screw, 5/16-18 x 2.75
4	710-0347	Hex Head Cap Screw, 3/8-16 x 1.75
5	710-0376	Hex Head Cap Screw, 5/16-18 x 1.00
6	710-04669	Screw, 10-16 x 0.625
7	710-04377	HHCS, 7/16-20 x 2.75
8	710-0513	Hex Head Cap Screw, 1/4-28 x .625
9	710-0520	Hex Head Cap Screw, 3/8-16 x 1.50
10	710-3005	Hex Head Cap Screw, 3/8-16 x 1.25
11	710-3015	Hex Head Cap Screw, 1/4-20 x .75
12	911-1000	Belt Keeper, .25 DIA X 3.0
13	712-04063	Flangelock Nut, 5/16-18
14	712-04064	Flangelock Nut, 1/4-20
15	712-04065	Flangelock Nut, 3/8-16
16	712-0700	Flange Nut, 9/16-18
17	914-0145	Click Pin, .092 x 1.64 LG
18	718-04407	Spline Pulley Hub, 5/8
19	720-04191	Grip, Red
20	731-05766	Trailshield, 8.35 x 19.17
21	732-04409	Extension Spring, Wheel Drive
22	732-04443A	Extension Spring, Brake
23	736-0105	Washer, Spring, .401 x .870 x .063
24	736-0270	Washer, Bell, .265 x .75 x .062
25	736-0322	Washer, Flat, .450 x 1.250 x .164
26	736-04256	Washer, Flat, .39 x .87 x .06
27	918-04438C	Drive Spindle Assembly
28	738-04166	Spacer, Shoulder, .5000 x .1475
29	747-04635A	Belt Keeper Rod
30	747-05571	Coupling Link, 3/16
31	747-04678A	Brake Spring Mounting Rod
32	954-04145A	V Belt, 4L 64.2
33	756-04129B	Idler Pulley, 4.25 DIA
34	756-04258	Flat Sheave, DIA 7.75
35	756-04260	Engine Pulley, 3.20 x 4.35 DIA
36	756-04280A	Idler Pulley, 3.50 DIA
37	787-01469B	Lower Shaft Lever

Ref.	Part Number	Description
38	787-01470A	Upper Shaft Lever
39	787-01473A	Belt Keeper, .375 x 2.00
40	787-01523A	Wheel Drive Idler Bracket
41	918-04439C	Spacer Spindle Assembly
42	931-04244	Chute Deflector Assembly
43	631-04252	Mulch Cover
44	987-02420	Idler Arm Assembly
45	687-02476	Deck Assembly
46	710-1260A	Screw, 5/16-18 x .750
47	710-0451	Bolt, Carriage, 5/16-18 x .750
48	710-0514	Hex Head Cap Screw, 3/8-16 x 1.00
49	710-0560	Screw, Carriage, 3/8-16 x 1.75
50	710-3184A	Hex Head Cap Screw, 3/8-16 x 2.00
51	712-0417A	Flange Nut, 5/8-18
52	912-3017	Hex Nut, 3/8-16
53	732-04406	Extension Spring, Timing Belt
54	732-04452	Extension Spring, Deck Brake
55	938-0347	Shoulder Spacer, .625 ID x .169
56	738-04162C	Shoulder Spacer, .8840 x .190
57	942-04154A	2 in 1 Blade
58	754-04136	Timing Belt, .315 x .787
59	954-04139	Aramid V Belt, 72.2
60	756-04129B	Idler Pulley, 4.25" DIA
61	756-0616	Idler Pulley, V-Type, 5.0 DIA
62	787-01440	Timing Idler Bracket
63	711-04027	Deflector Pin
64	726-04009	Push Cap
65	732-04012	Deflector Torsion Spring
66	787-01017A	Deflector Hinge Bracket
67	634-04285-0911	Wheel, 16 x 4 x 8
68	710-05339	Screw, 5/16-24 x .750
69	750-05516	Spacer, 1.0 x 1.28 x .31 (420CC)
70	912-0641	Nut, Hex, M16-1.5
71	921-04041	Water Nozzle Adaptor
72	736-0225	Washer, Lock, 5/8
73	737-04003D	Deck Water Nozzle
—	977S30145	Danger Label (Not Shown)

TB WC33 XP (12AE763Z)



Ref.	Part Number	Description
1	687-02614	RH Lever Assembly Bracket
2	687-02615	LH Lever Assembly Bracket
3	710-0572	Screw, Carriage, 5/16-18 x 2.25
4	710-0599	Screw, 1/4-20 x 0.500
5	710-0606	Hex Screw, 1/4-20 x 1.50
6	710-1237	Screw, #10-32 x 0.625
7	712-04063	Nut, Flangelock, 5/16-18
8	912-0442	Lock Nut Cap, 1/4-20
9	720-04190	Grip, 1.0 ID x 5.0 LG
10	720-04072A	Star Knob, 5/16-18
11	725-0157	Cable Tie, 3/16 x .05 x 7.4
12	938-0140	Screw, Shoulder, .435 x .178-5/16 x .56
13	938-1226	Screw, Shoulder, .375 x 1.355 x 1/4-20
14	946-04604	Throttle/Choke Cable, 38.0 x 1.1 EXT
15	946-04606	RH Brake Cable, Tecumseh Trans.
16	946-04608	LH Brake Cable, Tecumseh Trans.
17	946-04609	Wheel Clutch Cable
18	946-04610	Deck Clutch Cable
19	749-04330	Lower Handle
20	749-04331	Upper LH Handle
21	749-04332	Upper RH Handle
22	749-04333	Adjustable Handle Brace
23	751B221535	Casing Clamp
24	787-01490A	RH Cable Mount Bracket
—	787-01491A	LH Cable Mount Bracket
25	687-02591	Frame Assembly
26	687-02265	Front Deck Lift Assembly
27	687-02419	Rear Deck Lift Assembly
28	710-04312	Hex Screw, 5/16-18 x .50
29	710-0604A	Screw, 5/16-18 x 0.625
30	710-0627	Hex Screw, 5/16-24 x .750
31	914-0145	Click Pin, .092 x 1.64 LG
32	720-04189	Grip Handle, 1/2
33	731-05791	Plastic Spacer, .63 ID x .75 LG
34	732-04418A	Deck Height Lever
35	736-0242	Washer, Bell, .340 x .872 x .060
36	736-0343	Washer, Flat, .330 x 1.25 x .120
37	936-0351	Washer, Flat, .760 ID x 1.50 OD
38	937-3000	Drive Lube Fitting, 3/16
39	741-0660A	Flange Bearing, .760 x .941 x 1.0
40	787-01496	Height Adjustment Bracket

Ref.	Part Number	Description
41	787-01507	Fuel Tank Mount Bracket
42	787-01510	Link Pivot Bracket
43	787-01521	Lever Pivot Bracket
44	734-04243	Caster, Wheel, 8 x 1.75
—	941-0706	Bearing, Flange w/ftg
45	687-02263	Wheel Caster Bracket
46	712-04065	Nut, Flangelock, 3/8-16
47	738-04216A	Bolt, Shoulder, .625 x 2.515 x 3/8-16
48	710-0136	Hex Screw, 1/4-20 x 1.75
49	710-0896	Screw, 1/4-14 x 0.625
50	712-3006	Nut, Hex, 1/4-20
51	931-05684	Belt Cover
52	731-05937A	Handle Panel, Black
53	736-0270	Washer, Bell, .265 x .75 x .062
54	936-0463	Washer, Flat, .25 x .630 x .0515
55	787-01548	Hour Meter and Key Handle Panel
56	931-06935A	Fuel Tank Cover
57	738-04282	Screw, Shoulder, 1/4-20 x .32 x 1.8
58	951-12182	Fuel Cap
59	951-04322	Fuel Tank
60	710-1315	Screw, 3/8-16 x 1.250
61	726-0205	Hose Clamp, .490 DIA.
62	751-10349	Fuel Hose, Low Permeation, 1/4
63	951-10517A	Oil Drain
64	751-3141-14	Extension Hose
65	710-04666	Hex Head Flange, 1/4-20 x .75
66	710-0642	Screw, 1/4-20 x 0.750
67	925-1707D	Battery, 155 CCA WET
68	712-0271	Sems Nut, 1/4-20
69	712-04064	Nut, Flangelock, 1/4-20
70	925-04022B	Hour Meter
71	925-04228	Key Switch
72	725-04439	Solenoid, 12V, 100 AMP
73	747-04657	Battery Hold Down Strap
74	925-1745A	Key
75	787-02009	Plate, Shift
—	925-05266	Wiring Harness (Not Shown)
—	725-04478	Starter Wire (Not Shown)
—	712-0266A	Nut, Jamlock, 3/8-16 (Not Shown)
—	751-12089-28	Vent Hose, 3/16 (not shown)



To order replacement parts or locate your nearest service dealer call a Customer Support at (800) 800-7310.
or visit www.mtdproducts.com to find the nearest authorized dealer in your area.

MTD LLC, P.O. BOX 361131 CLEVELAND, OHIO 44136-0019
