

AXIS T95A Series Dome Housing

Protect your Axis Network Dome Cameras

AXIS T95A Series Dome Housing is a top opening system, designed to give easy access to the camera, cabling and connections for efficient installation.



TOP OPENING SYSTEM > Top opening system designed for easy access.

EASY INSTALLATION > Pre-mounted heaters, blower and power supplies for easy installation.

SUPERIOR OPTICAL CLARITY > Smoked or clear dome with superior optical clarity, designed for cameras with x 35 zoom.

IP 66 RATED > IP 66 rated for indoor and outdoor installations.

ENHANCED HEATING SYSTEM > Operates in temperatures down to -30 °C (-22 °F).

TECHNICAL SPECIFICATIONS – AXIS T95A SERIES DOME HOUSING

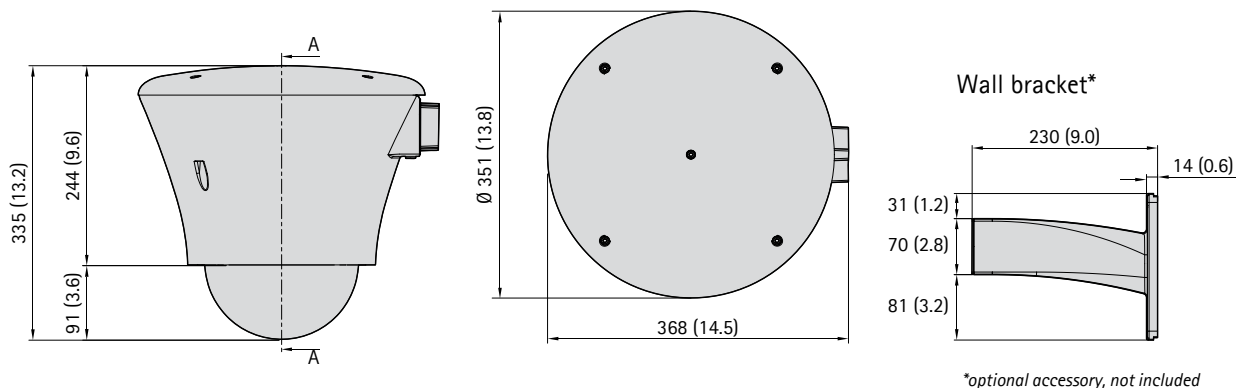
Models	AXIS T95A00 Dome Housing (5010-001) AXIS T95A10 Dome Housing (5010-101)	Accessories (included)	Sunshield, thermostat controlled heaters and blower, power supply for Axis network cameras, smoked and transparent lower hemisphere, installation guide
Supported cameras	AXIS 213 PTZ, AXIS 214 PTZ, AXIS 215 PTZ, AXIS 231D+, AXIS 232D+ and AXIS 233D Network Cameras	Accessories (not incl.)	T95A61 Wall bracket (5010-611) T95A64 Corner bracket (5010-641) T95A67 Pole bracket (5010-671)
Power	AXIS T95A00: Input 100/240 V AC, 50/60 Hz Output 24 V DC, max 1,5 A or 12 V DC, 3 A AXIS T95A10: Input 24 V AC Output 24 V AC or 12 V DC, 2 A	Approvals	CE according to EN61000-6-3, EN 60950, EN50130-4 IP66 according to EN 60529
Operating conditions	AXIS 213 PTZ : -20 °C to 35 °C (-4 °F to 95 °F) AXIS 214 PTZ : -25 °C to 40 °C (-13 °F to 104 °F) AXIS 215 PTZ : -25 °C to 40 °C (-13 °F to 104 °F) AXIS 231D+/232D+ : -20 °C to 50 °C (-4 °F to 122 °F) AXIS 233D: -30 °C to 45 °C (-22 °F to 113 °F)	Dimensions (HxWxD) and weight	External dimensions with sunshield: Ø 351 x 335 mm (13.8 x 13.2 in) External dimensions without sunshield: Ø 314 x 322 mm (12.4 x 12.7 in) 3.8 kg (8.3 lb)
Casing	Die-cast aluminum Epoxy polyester powder painting, RAL9002 Removable sunshield in ABS for outdoor, RAL9002		

Please visit the Axis web site at www.axis.com for a comprehensive list of the available brackets and accessories.

31281/EN/R1/0802

DIMENSIONS

Measurements in millimeters (inches)



www.axis.com

©2008 Axis Communications AB. AXIS COMMUNICATIONS, AXIS, ETRAX, ARTPEC and VAPIX are registered trademarks or trademark applications of Axis AB in various jurisdictions. All other company names and products are trademarks or registered trademarks of their respective companies. We reserve the right to introduce modifications without notice.

AXIS[®]
COMMUNICATIONS