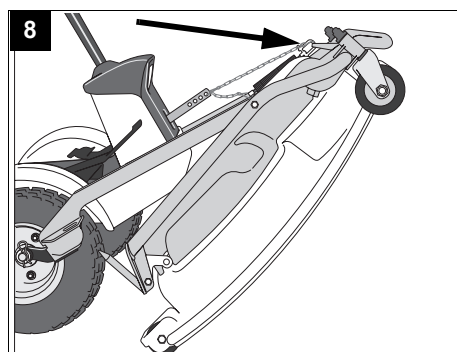
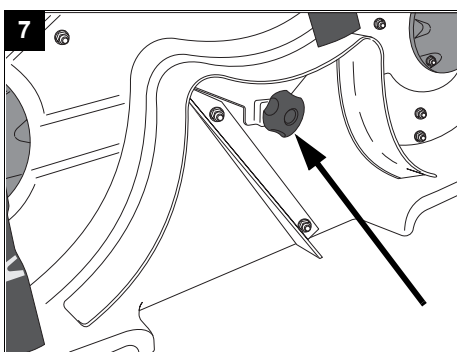
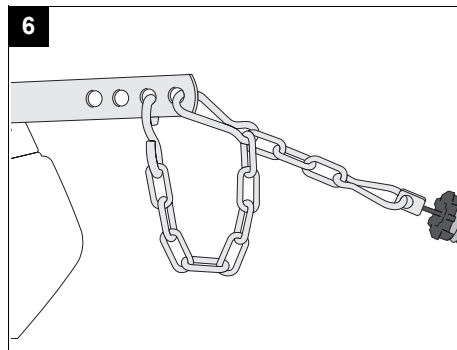
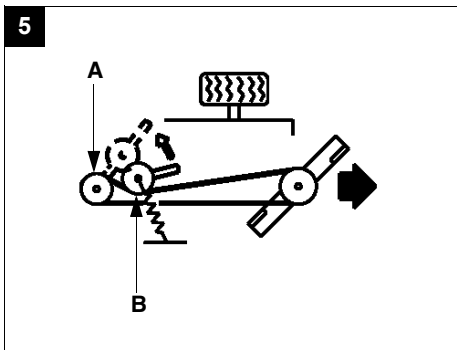
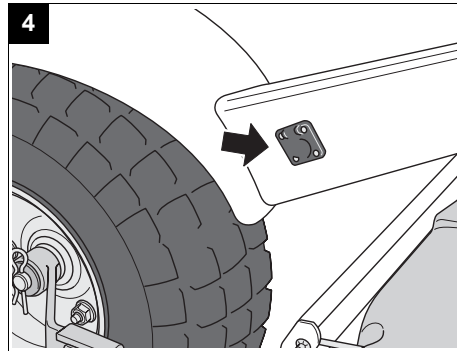
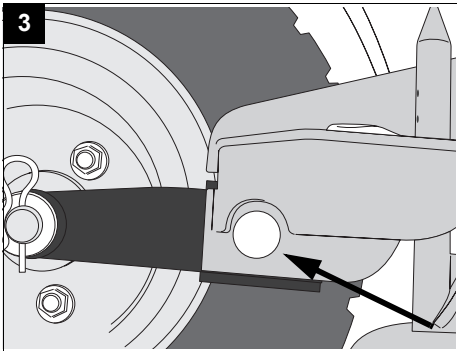
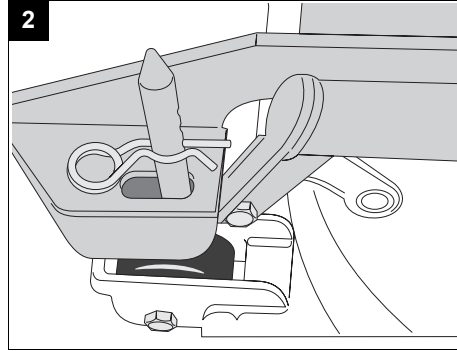
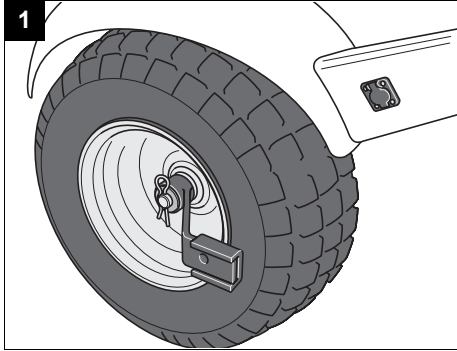


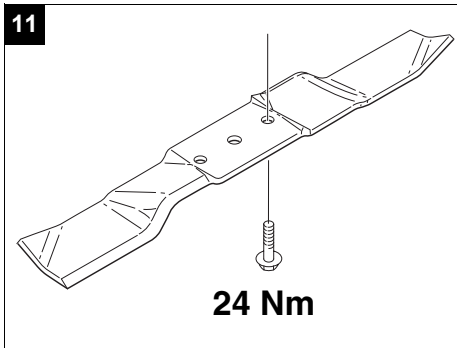
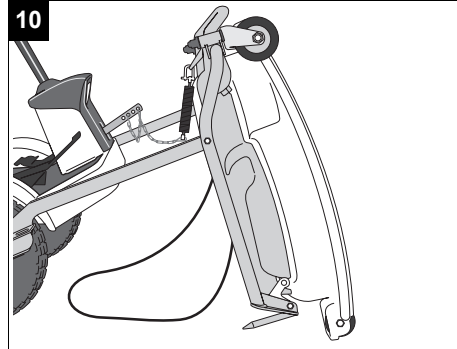
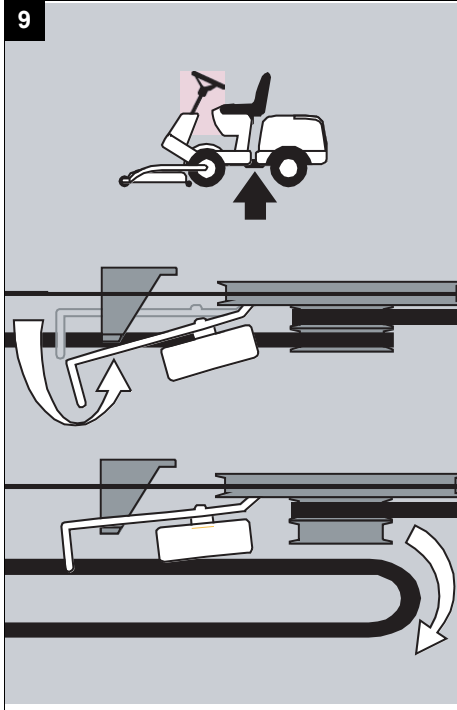
STIGA PARK

125 COMBI PRO

STIGA[®]

8211-3060-01





SYMBOLS

The following symbols appear on the machine. They are there to remind you of the care and attention required in use.

This is what the symbols mean:



Warning!
Read the instruction manual and the safety manual before using the machine.



Warning!
Do not insert your hands or feet under the cover when the machine is in operation.



Warning!
Watch out for discarded objects. Keep on-lookers away.



Warning!
Before starting repair work, remove the spark plug cable from the spark plug.



Warning!
To minimise the risk of tipping over, frame weights should be installed on the machine when using the cutting deck.



INTRODUCTION

The cutting deck is available as standard in two versions:

- with mechanical setting of the cutting height (item no. 13-2936).
- with factory-fitted, electrical setting of the cutting height (item no. 13-2937).

ASSEMBLY

CUTTING DECK

1. Install the deck mounts on the machine's steering knuckles (fig. 1).
2. Place the cutting deck in front of the machine.
3. Remove the pins (fig. 2).
4. Screw the cutting deck into the deck mounts (fig. 3).
5. 13-2937:
Connect the electrical contact to the socket on the

side of the machine (fig. 4).

6. Set the maximum cutting height.
7. Force the V-belt onto the machine's centre pulley **A** (fig. 5).
8. Lift the rear edge of the cutting deck and secure with the pins (fig. 2). The basic setting for machines with 17" tyres is position 3.
9. Tension the belt with the belt idler **B**. The belt idler should be on the left side of the belt viewed from the driver's position (fig. 5).
10. Secure the lift spring's snap hook in the implement lifter (fig. 6). The position of the snap hook can be varied by threading it into different links in order to achieve better lifting height or to follow the ground better.
11. Secure the S-hook to one of the inner holes on the implement lifter.

SETTING

In order for the deck to cut evenly and attractively, it has to be correctly adjusted:

1. Make sure the air pressure in the tyres is correct:
Front: 0.6 bar (9 psi).
Rear: 0.4 bar (6 psi).
2. Place the machine on a level floor. Undo the pins (fig. 2).
3. Adjust the deck so that the front and rear edge of the cover are the same height above the floor.
4. Secure with the pins.

USING THE MACHINE

COMBI

Your new cutting deck combines two different functions in the same product:

1. "MULTICLIP"

The machine comes equipped with a plug installed in the ejector opening (fig. 7). The cutting deck can be used for "Multiclip" i.e. the blade finely cuts up the grass during mowing. The grass then falls into the lawn where it is allowed to rot. This provides the lawn with nourishment.

To remove the plug, the cutting deck must first be folded up into the service position (see heading SERVICE POSITION). Then unscrew the plug.

2. REAR EJECTION

Use the machine without the plug. The grass is released in a line behind the cutting deck without being mulched.

CUTTING HEIGHT

The cutting height can be varied from 25 to 90 mm.

- item no. 13-2936 has a number of *fixed* positions for the cutting height.
- item no. 13-2937 has *continuously-variable* setting of the cutting height.

Note: Stated cutting heights apply when the machine is on a firm surface.

CUTTING TIPS

For optimum "Multiclip effect", follow these tips:

- cut frequently.
- run the engine at full revs.
- keep the underside of the cutting deck clean.
- use sharp blades.
- do not cut wet grass.
- cut twice (with different cutting heights) if the grass is long.

MAINTENANCE

PREPARATIONS

Unless otherwise stated, all service and maintenance must be carried out on a stationary machine when the engine is not running.



Prevent the machine from rolling by always applying the parking brake.



Prevent unintentional starting of the engine by disengaging the drive, shutting off the engine and disconnecting the spark plug cable or removing the starter key.

CLEANING

After each use, the underside of the cutting deck should be rinsed off. This is carried out most easily with the machine in the washing position.

WASHING POSITION

1. Set the lowest cutting height.
2. Undo both pins (fig. 2).
3. Grip the deck's frame.
4. Fold up the deck so that it is pointing diagonally

upwards and hook the S-hook into the loop on the cutting deck (fig. 8).

If the grass has dried solid, scrape clean the underside.

If necessary, touch up the underside with paint to prevent corrosion.

MAINTENANCE TIPS

In order to install/remove the Multiclip plug and to facilitate maintenance, the cutting deck can be folded up into the service position.

SERVICE POSITION

1. Set the maximum cutting height.
2. Undo both pins (fig. 2).
3. Hook the belt idler arm on the mount (fig. 7)
4. Force the belt off the centre pulley (fig. 7).
5. 13-2937:
Disconnect the electrical contact for the cutting height setting.
6. Grip the deck's frame.
7. Fold up the deck until it is upright on the rear support plates (fig. 10).

BLADES



Use protective gloves when changing blades to avoid cutting yourself.

Ensure that the blades are always sharp. This produces the best cutting results.

Always check the blades after a collision. If the blade system has been damaged, defective parts should be replaced.



Always use genuine spare parts. Non-genuine spare parts can entail a risk of injury, even if they fit the machine.

Install the blade so that the stamped logo is facing down, towards the grass. Tighten the screws properly (fig. 11). Tightening torque: 24 Nm.

PIVOT WHEELS

The pivot wheels are equipped with grease nipples on the pivot axle and the wheel axle. These must be lubricated after every 50 hours of operation.

WEAR PROTECTION

There are two wear protection devices on the underside of the cutting deck to protect it. These can be replaced if necessary.

SPARE PARTS


STIGA genuine spare parts and accessories are designed specifically for STIGA machines. Please note that “non-original” spare parts and accessories have not been checked or approved by STIGA:



The use of such parts and accessories can affect the function and safety of the machine. STIGA accepts no responsibility for damage or injuries caused by such products.

GGP reserves the right to make alterations to the product without prior notification.

EG-försäkran om överensstämmelse	EC conformity declaration	Declaração de conformidade da CE	Izjava ES o skladnosti
EY-vaatimustenmukaisuusvakuutus	Déclaration de conformité CE	Deklaracja zgodności EC	
EU-överensstemmelseerklæring	EU-geljiikvormigheidsverklaring	Декларация ЕС о соответствии	
EU-forsikring om overensstemmelse	Dichiarazione di conformità	Deklarace shody s EU	
EG-Konformitätsbescheinigung	Declaración de conformidad CE	EK megfelelőségi nyilatkozat	

<p>Denna produkt är i överensstämmelse med</p> <ul style="list-style-type: none"> - direktiv 89/336/EEG om elektromagnetisk kompatibilitet - maskindirektiv 98/37/EEG med särskilda hänvisningar till direktivets bilaga 1 om väsentliga hälsa- och säkerhetskrav i samband med tillverkning - ljuddirektiv 2000/14/EG <p>Maskinen är utvecklad och tillverkad enligt följande standard:</p> <ul style="list-style-type: none"> - EN 836, EN 292-2, EN 1033, EN ISO 3767, EN ISO 14982 <p>Tämä tuote täyttää seuraavien direktiivien vaatimukset</p> <ul style="list-style-type: none"> - sähkömagneettista yhteensopivuutta koskeva direktiivi 89/336/EY - koneidirektiivi 98/37/EY viitaten erityisesti direktiivin liitteeseen 1, joka käsittelee olennaisia terveys- ja turvallisuusvaatimuksia valmistuksen yhteydessä - meludirektiivi 2000/14/EG <p>Tuote on kehitetty ja valmistettu seuraavien normien mukaisesti:</p> <ul style="list-style-type: none"> - EN 836, EN 292-2, EN 1033, EN ISO 3767, EN ISO 14982 <p>Dette produkt er i overensstemmelse med</p> <ul style="list-style-type: none"> - direktiv 89/336/EØF om elektromagnetisk kompatibilitet - direktiv 98/37/EØF om indbyrdes tilnærmede af medlemsstaternes lovgivning om maskiner med særlig henvisning til direktivets bilag 1 om væsentlige sikkerheds- og sundhedskrav i forbindelse med konstruktion og fremstilling - direktiv 2000/14/EF om støjemission <p>Produktet er udviklet og fremstillet i overensstemmelse med følgende normer:</p> <ul style="list-style-type: none"> - EN 836, EN 292-2, EN 1033, EN ISO 3767, EN ISO 14982 <p>Dette produktet er i overensstemmelse med</p> <ul style="list-style-type: none"> - direktiv 89/336/EØF om elektromagnetisk kompatibilitet - maskindirektiv 98/37/EØF med særskilte henvisninger til direktivets bilag 1 om væsentlige helse- og sikkerhedskrav i forbindelse med produksjon - lydudvikling 2000/14/EG <p>Produktet er utviklet og produsert i overensstemmelse med følgende normer:</p> <ul style="list-style-type: none"> - EN 836, EN 292-2, EN 1033, EN ISO 3767, EN ISO 14982 <p>Dieses Produkt ist in Übereinstimmung mit</p> <ul style="list-style-type: none"> - Direktive 89/336/EEG zur elektromagnetischen Kompatibilität - Maschinendirektive 98/37/EEG mit besonderem Hinweis auf Anlage 1 der Direktive über wichtige Gesundheits- und Sicherheitsanforderungen im Zusammenhang mit der Herstellung - Schallschutzdirektive 2000/14/EG <p>Das Erzeugnis ist in Übereinstimmung mit folgenden Normen entwickelt und gefertigt worden:</p> <ul style="list-style-type: none"> - EN 836, EN 292-2, EN 1033, EN ISO 3767, EN ISO 14982 <p>This product conforms to</p> <ul style="list-style-type: none"> - Electromagnetic Compatibility Directive 89/336/EEC - Machinery Directive 98/37/EEC with special reference to appendix 1 of the directive regarding essential health and safety requirements in conjunction with manufacturing - Noise Emission Directive 2000/14/EC <p>This product has been developed and manufactured in conformance with the following standards:</p> <ul style="list-style-type: none"> - EN 836, EN 292-2, EN 1033, EN ISO 3767, EN ISO 14982 <p>Ce produit est conforme à</p> <ul style="list-style-type: none"> - La Directive compatibilité électromagnétique 89/336/EEC - La Directive machines 98/37/EEC, avec une référence particulière à l'annexe 1 de la directive concernant les exigences essentielles en matière de santé et de sécurité dans le cadre de la fabrication - La Directive émissions de bruit 2000/14/EC <p>Le produit en question a été mis au point et fabriqué conformément aux normes suivantes:</p> <ul style="list-style-type: none"> - EN 836, EN 292-2, EN 1033, EN ISO 3767, EN ISO 14982 <p>Dit product voldoet aan</p> <ul style="list-style-type: none"> - Richtlijn voor elektromagnetische compatibiliteit 89/336/EEC - Richtlijn voor machines 98/37/EEC met speciale verwijzing naar aanhangsel 1 van de richtlijn voor essentiële gezondheids-en veiligheidsvereisten i.v.m. fabricage - Richtlijn voor geluidsproductie 2000/14/EC <p>Het product is in overeenstemming met volgende normen ontwikkeld en vervaardigd:</p> <ul style="list-style-type: none"> - EN 836, EN 292-2, EN 1033, EN ISO 3767, EN ISO 14982 <p>Questo prodotto è conforme alla</p> <ul style="list-style-type: none"> - Direttiva sulla compatibilità elettromagnetica 89/336/EEC - Direttiva Macchine 98/37/EEC con particolare riferimento all'appendice 1 della direttiva riguardante i requisiti essenziali in materia di salute e sicurezza relativi alla fabbricazione - Direttiva sulle emissioni sonore 2000/14/EC <p>Riferimento alle norme armonizzate:</p> <ul style="list-style-type: none"> - EN 836, EN 292-2, EN 1033, EN ISO 3767, EN ISO 14982 <p>Utfärdat i Tranås Annettu Tranåsissa Udfærdiget i Tranås Utstedt i Tranås Ausgefertigt in Tranås, Schweden</p> <p>Issued in Tranås Fait à Tranås Gepubliceerd in Tranås Rilasciata a Tranås Emitido en Tranås Publicado em Tranås</p> <p>Wydano w Tranås Выдано в Tranås Vydáno v Tranásu Kibocsátva Tranásban Izdano v Tranås</p>	<p>Este producto respeta las siguientes normas:</p> <ul style="list-style-type: none"> - Directiva 89/336/CEE sobre compatibilidad electromagnética - Directiva 98/37/CEE sobre máquinas, especialmente su anexo 1 sobre los requisitos esenciales de seguridad y de salud relativos a la fabricación de las máquinas - Directiva 2000/14/CE relativa a las emisiones sonoras <p>Referente a standards armonizados:</p> <ul style="list-style-type: none"> - EN 836, EN 292-2, EN 1033, EN ISO 3767, EN ISO 14982 <p>Este produto está em conformidade com</p> <ul style="list-style-type: none"> - Directiva sobre Compatibilidade Electromagnética 89/336/CEE - Directiva relativa às Máquinas 98/37/CEE com referência especial ao apêndice 1 da directiva referente aos requisitos essenciais de saúde e segurança em conjunto com os de fabrico. - Directiva sobre Emissão de Ruído 2000/14/CE <p>Referencias à normas harmonizadas:</p> <ul style="list-style-type: none"> - EN 836, EN 292-2, EN 1033, EN ISO 3767, EN ISO 14982 <p>Ten produkt odpowiada następującym normom:</p> <ul style="list-style-type: none"> - Kompatybilność elektromagnetyczna - dyrektywa 89/336/EEC - Maszyny - dyrektywa 98/37/EEC, a szczególnie dodatkiem 1 dyrektywy, dotyczącym podstawowych wymogów w zakresie zdrowia i bezpieczeństwa w związku z produkcją - Emisja hałasu - dyrektywa 2000/14/EC <p>W odniesieniu do norm harmonizujących:</p> <ul style="list-style-type: none"> - EN 836, EN 292-2, EN 1033, EN ISO 3767, EN ISO 14982 <p>Tento výrobek vyhovuje</p> <ul style="list-style-type: none"> - Smernici o elektromagnetické kompatibilitě 89/336/EEC - Smernici o strojních zařízeních 98/37/EEC se speciálním odkazem na přílohu 1 uvedené směrnice týkající se důležitých požadavků na ochranu zdraví a bezpečnost v souvislosti s výrobou - Smernici o emisích hluku 2000/14/EC <p>Použité harmonizované normy:</p> <ul style="list-style-type: none"> - EN 836, EN 292-2, EN 1033, EN ISO 3767, EN ISO 14982 <p>Ez a termék megfelel</p> <ul style="list-style-type: none"> - az elektromágneses kompatibilitásról szóló 89/336/EGK irányelvnek, - a gépekről szóló 98/37/EGK irányelvnek, különös tekintettel az irányelvnek a gyártással összefüggő, az alapvető egészségi és biztonsági követelményekre vonatkozó 1. függelékére, és - a zajkibocsátásról szóló 2000/14/EK irányelvnek. <p>a termék fejlesztése és gyártása a következő szabványokkal összhangban történt.</p> <ul style="list-style-type: none"> - EN 836, EN 292-2, EN 1033, EN ISO 3767, EN ISO 14982 <p>Ta izdelki je v skladu z</p> <ul style="list-style-type: none"> - Direktivo 89/336/EGS o elektromagnetni zdru. ljivosti - Direktivo 98/37/EGS o strojih, s posebnim sklicevanjem na njen Dodatek 1 v zvezi z osnovnimi zdravstvenimi in varnostnimi zahtevami, skupaj s proizvodnjo - Direktivo 2000/14/ES o emisijah hrupa <p>Hivatkozás a harmonizált szabványokra:</p> <ul style="list-style-type: none"> - EN 836, EN 292-2, EN 1033, EN ISO 3767, EN ISO 14982 <p>Mats Antonsson</p> <p>Certifieringsansvarig Sertifionnista vastaava Certificeringsansvarig Sertifiseringsansvarig Für die Zertifizierung verantwortlich Certification Manager Directeur de Certification Certification Manager Direttore Certificazione Responsable de certificación</p> <p>Director de Certificação Kierownik ds. legalizacji Начальник службы сертификации Vedoucí pro certifikaci a tanúsításért felelős igazgató Poslovođja za izdajo certifikatov</p>	
--	---	---

2004-01-22



www.stiga.com

GGP Sweden AB · Box 1006 · SE-573 28 TRANÅS