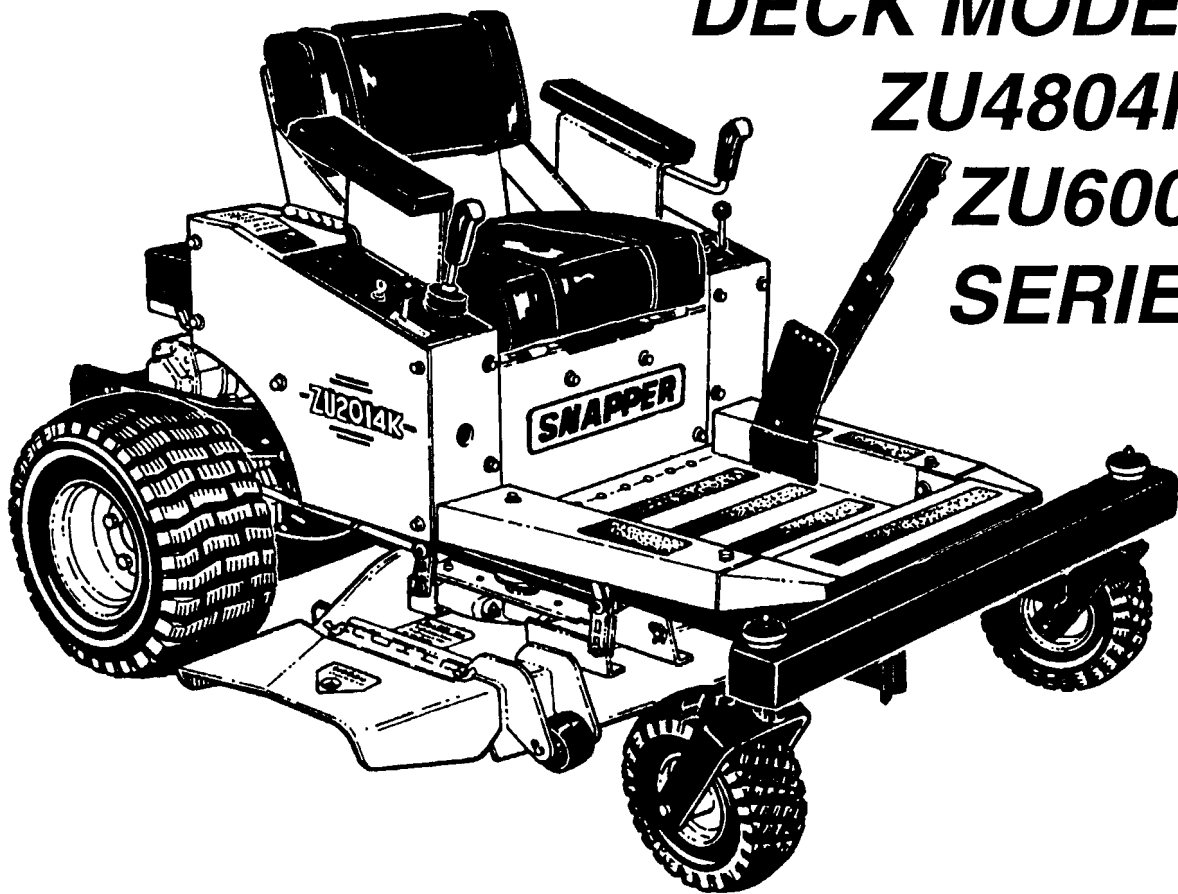


Parts Manual for

SNAPPER[®]

**ZERO TURN RADIUS MOWER
TRACTOR MODEL: ZU2014K**

**DECK MODELS:
ZU4804M &
ZU6004M
SERIES 4**



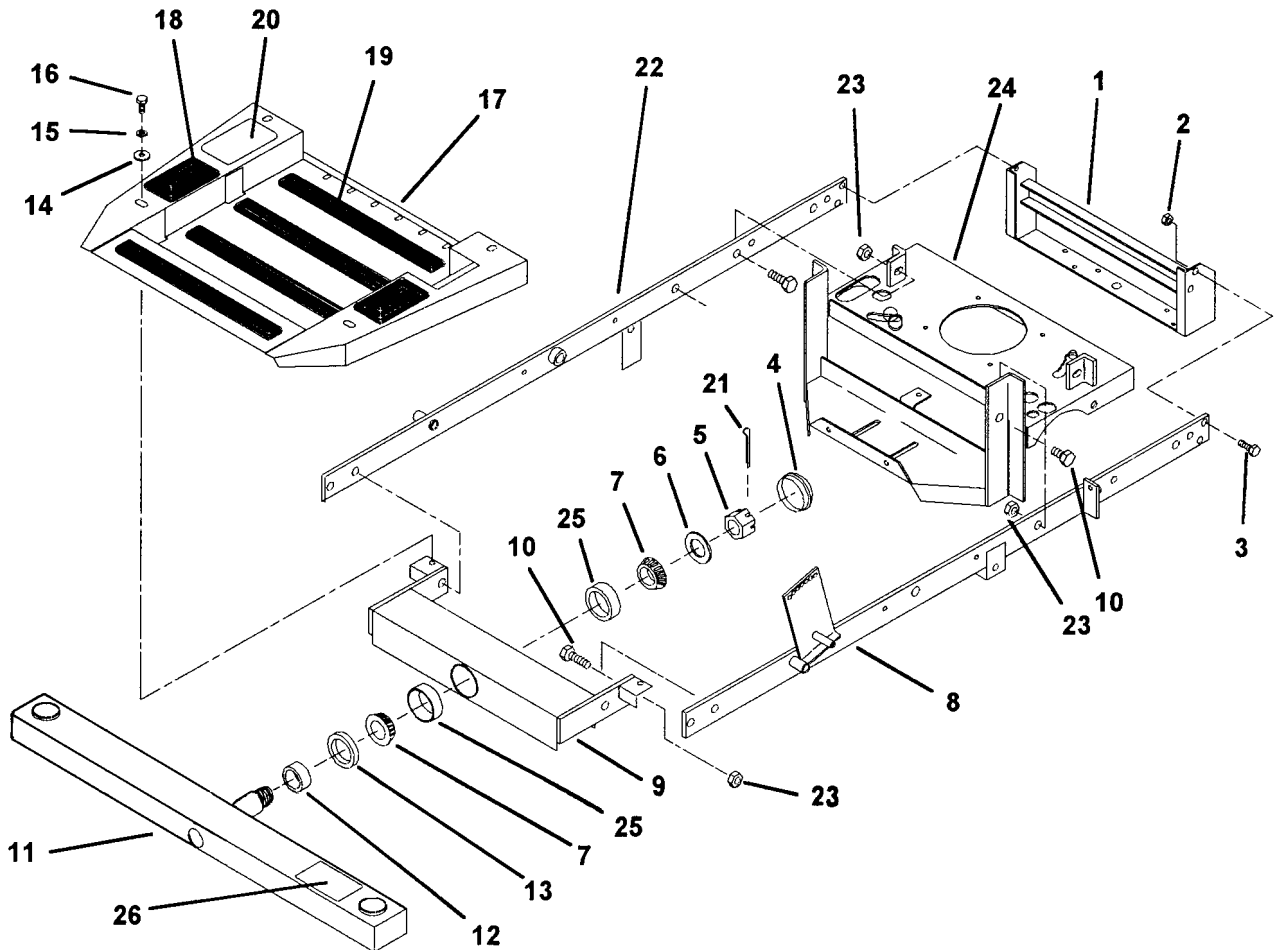
SNAPPER McDonough, GA., 30253 U.S.A.

TABLE OF CONTENTS

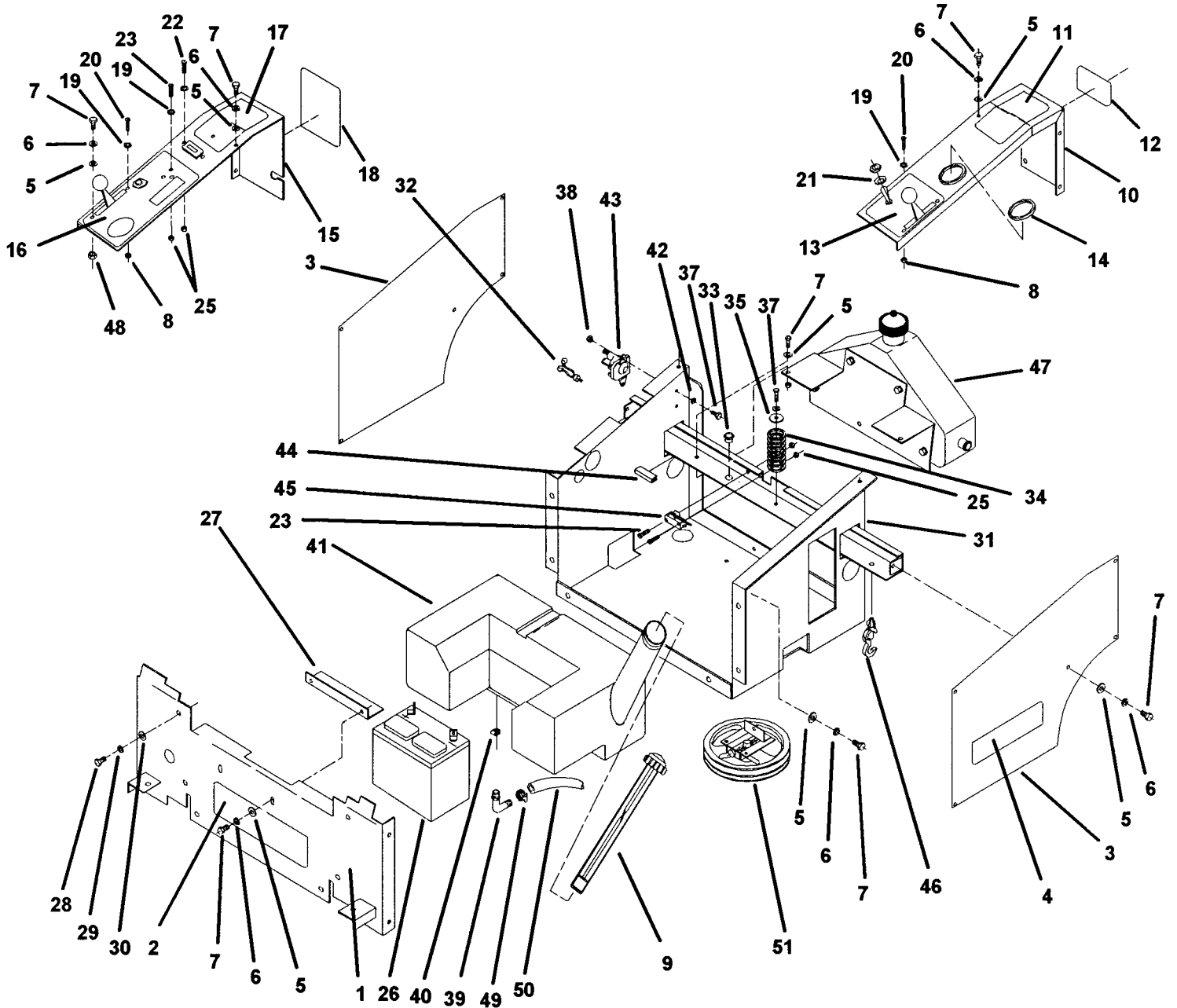
TRACTOR AND RELATED PARTS	Page
FRAME SIDES AND RELATED PARTS _____	3
SEAT SUPPORT ASSEMBLY AND BODY COVER PARTS _____	4 & 5
ARM REST ASSEMBLY _____	6
SEAT ASSEMBLY _____	7
JOYSTICK STEERING CONTROL PARTS _____	8 & 9
PARKING BRAKE ASSEMBLY _____	10
OIL TANK ASSEMBLY _____	11
DOUBLE GROOVE IDLER ASSEMBLY _____	12
UNISTAT SUB-ASSEMBLY _____	13
DRIVE TRAIN ASSEMBLY _____	14 & 15
DECK LIFT PARTS _____	16 & 17
WIRE HARNESS _____	18
CASTER WHEEL ASSEMBLY _____	19
 MOWER DECK AND RELATED PARTS	
48" DECK ASSEMBLY _____	20 & 21
60" DECK ASSEMBLY _____	22 & 23
DOUBLE IDLER CHANNEL ASSEMBLY _____	24 & 25
DECK SPINDLE ASSEMBLY _____	26 & 27
60" DECK CASTER WHEEL ASSEMBLY _____	28
SINGLE IDLER ASSEMBLY _____	29
ACCESSORIES _____	30

FRAME SIDES AND RELATED PARTS

<u>ITEM</u>	<u>PART NO.</u>	<u>DESCRIPTION</u>
1	79668	REAR BUMPER WELDMENT
2	79273	NUT, 3/8-16 NYLOC (4)
3	90587	BOLT, 3/8-16 X 1-1/4" GR.5 (4)
4	79859	GREASE CAP
5	79836	NUT, HEX. SLOTTED 1"-14
6	79020	WASHER, 1" 10 GA.
7	79812	BEARING CONE (2)
8	62326	FRAME SIDE L.H.
9	79707	FRONT CHANNEL WELDMENT
10	62038	BOLT, 1/2-13 X 1-1/4" GR.5 (8)
11	79677	FRONT BUMPER/AXLE WELDMENT
12	79711	BEARING SPACER
13	79822	SEAL, OIL 1.688 SHAFT
14	90188	WASHER, FLAT STD. 5/16" (4)
15	79267	LOCK WASHER, 5/16" HEAVY SPRING (4)
16	76934	BOLT, 5/16-18 X 3/4" GR. 5 (4)
17	79756	FOOT DECK ASSEMBLY (w/ decal and tread pads)
18	79863	TREAD PAD (2)
19	79862	TREAD PAD (5)
20	79915	DECAL, OPERATION INSTRUCTIONS
21	79839	COTTER PIN, 3/16 X 2"
22	62327	FRAME SIDE WELDMENT, R.H.
23	79262	NUT, 1/2-13, STOVER (8)
24	62328	MOTOR MOUNT WELDMENT
25	79909	BEARING CUP (2)
26	79916	DECAL, TOW WARNING



SEAT SUPPORT ASSEMBLY & BODY COVER PARTS

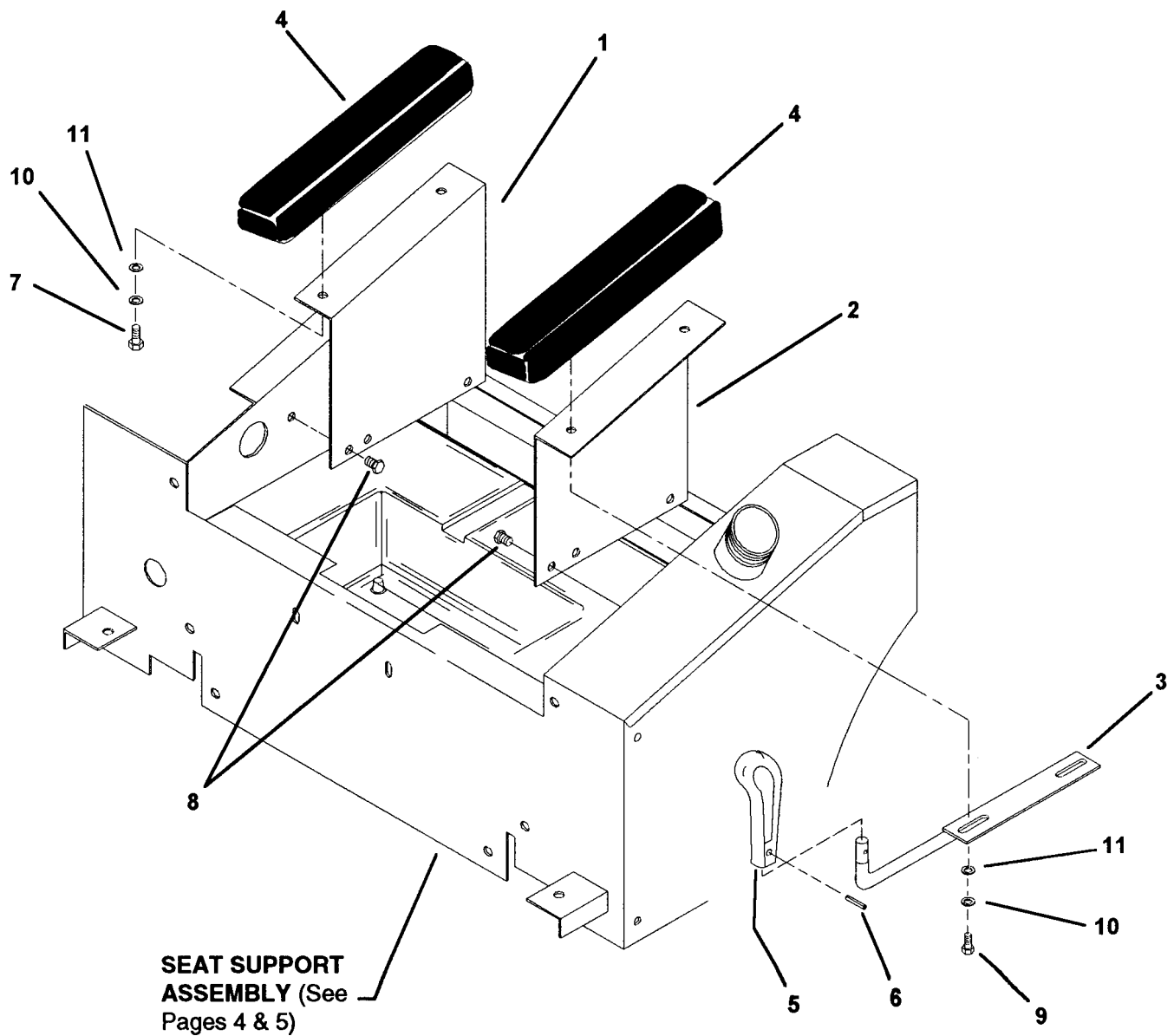


SEAT SUPPORT ASSEMBLY & BODY COVER PARTS

<u>ITEM</u>	<u>PART NO.</u>	<u>DESCRIPTION</u>
1	79895	SEAT SUPPORT FRONT ASSEMBLY (W/DECALS)
2	79643	DECAL, SNAPPER
3	79676	FENDER SKIRT (2)
4	62298	DECAL, I.D. "ZU2014K"(2)
5	90188	WASHER, FLAT STD. 5/16" (20)
6	79267	LOCK WASHER, 5/16" HEAVY SPRING (18)
7	76934	BOLT, 5/16-18 X 3/4" GR. 5 (20)
8	79828	LOCKNUT, #8-32 NYLOC (6)
9	79858	FUEL GAUGE CAP
10	62056	FENDER CAP (w/ decals) L.H.
11	79238	DECAL, CAUTION
12	79916	DECAL, TOWING WARNING
13	79913	DECAL, BLADE/CHOKE
14	62058	TRIM, U-CHANNEL GAS TANK
15	62057	FENDER CAP (w/decals, less #62391) R.H.
16	79914	DECAL, INSTRUMENT PANEL
17	79239	DECAL, CAUTION
18	62391	DECAL, BELT TENSIONING
19	79826	WASHER, #8 FLAT (8)
20	79848	SCREW, MACHINE, #8-32 X 1/2" (4)
21	79890	D-WASHER
22	79825	SCREW, MACHINE, #6-32 X 5/8" (2)
23	79281	SCREW, MACHINE, #6-32 X 1" (4)
24	79849	SCREW, MACHINE, #8-32 X 3/4" (2)
25	79310	LOCKNUT, #6-32 NYLOC (6)
26	79482	BATTERY 12 VOLT
27	79698	BATTERY CLAMP ANGLE
28	79266	BOLT, 3/8-16 X 3/4" GR. 5 (6)
29	79268	LOCK WASHER, 3/8" HEAVY SPRING (6)
30	90600	WASHER, FLAT STD. 3/8" (6)
31	79686	SEAT SUPPORT WELDMENT
32	79864	BLIND HOLE KURLY (4)
33	79191	BUSHING, PLASTIC
34	79857	SEAT SPRING
35	79694	WASHER
36	90052	LOCK WASHER, 1/4" SPLIT SPRING
37	90073	BOLT, 1/4-20 X 3/4" GR. 5 (3)
38	76978	LOCKNUT, 1/4--20 NYLOC (2)
39	79853	ELBOW, 90D 1/4 NPT X 1/4 BARB
40	79870	CLAMP, .31 MIN. X 1.87 MAX. HOSE DIA.
41	79856	FUEL TANK
42	79410	WASHER FLAT STD. 1/4" (2)
43	79193	SOLENOID, 12V STARTER
44	79897	EDGE GUARD
45	79194	SWITCH, ENCL, SPDT 15A HINGED LEVER
46	79854	FITTING 1/2" ROSE BUD CLIP
47	See Page 11	OIL TANK ASSEMBLY
48	90717	NUT, HEX. 5/16-18 NYLOC (2)
49	79952	CLAMP, HOSE 1/2 ",STAINLESS
50	79218	HOSE, FUEL 1/4 ID X 1/2 OD
51	See Page 12	DOUBLE GROOVE IDLER ASSEMBLY

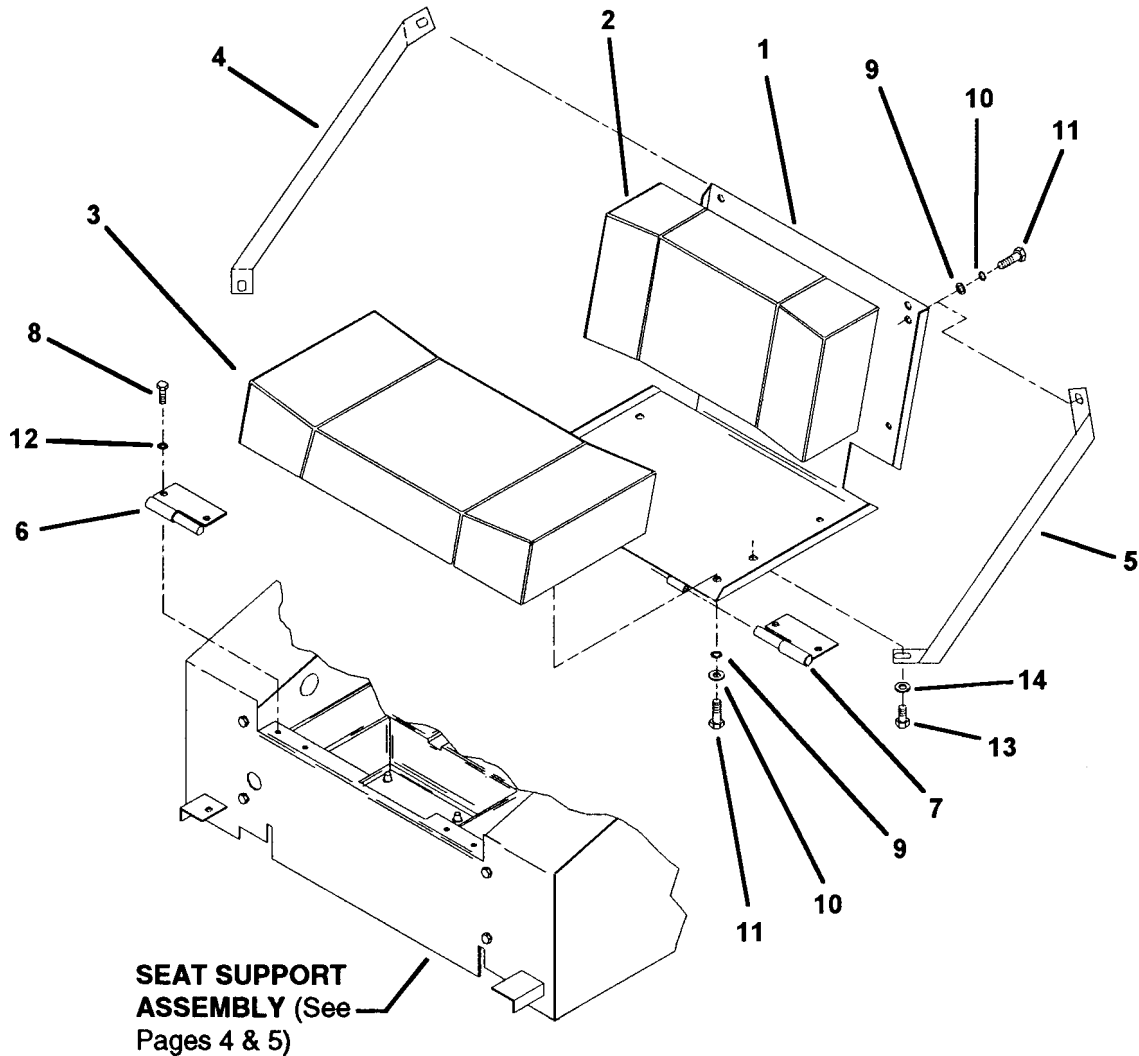
ARM REST ASSEMBLY

<u>ITEM</u>	<u>PART NO.</u>	<u>DESCRIPTION</u>
1	79700	ARM REST SUPPORT R.H.
2	79699	ARM REST SUPPORT L.H.
3	79495	SECURITY HANDLE WELDMENT
4	79502	ARM REST PAD ASSEMBLY (2)
5	23656	HANDLE, JOYSTICK, 7/16" BORE
6	79294	PIN, SPIRAL 3/16 X 1" LIGHT DUTY
7	76934	BOLT, 5/16-18 X 3/4" GR. 5 (2)
8	79910	BOLT, 3/8-16 X 1/2" NYLON PATCH (4)
9	90636	BOLT, 5/16-18 X 1" GR. 5 (2)
10	79267	LOCK WASHER, 5/16" HEAVY SPRING (4)
11	90188	WASHER, FLAT STD. 5/16" (4)

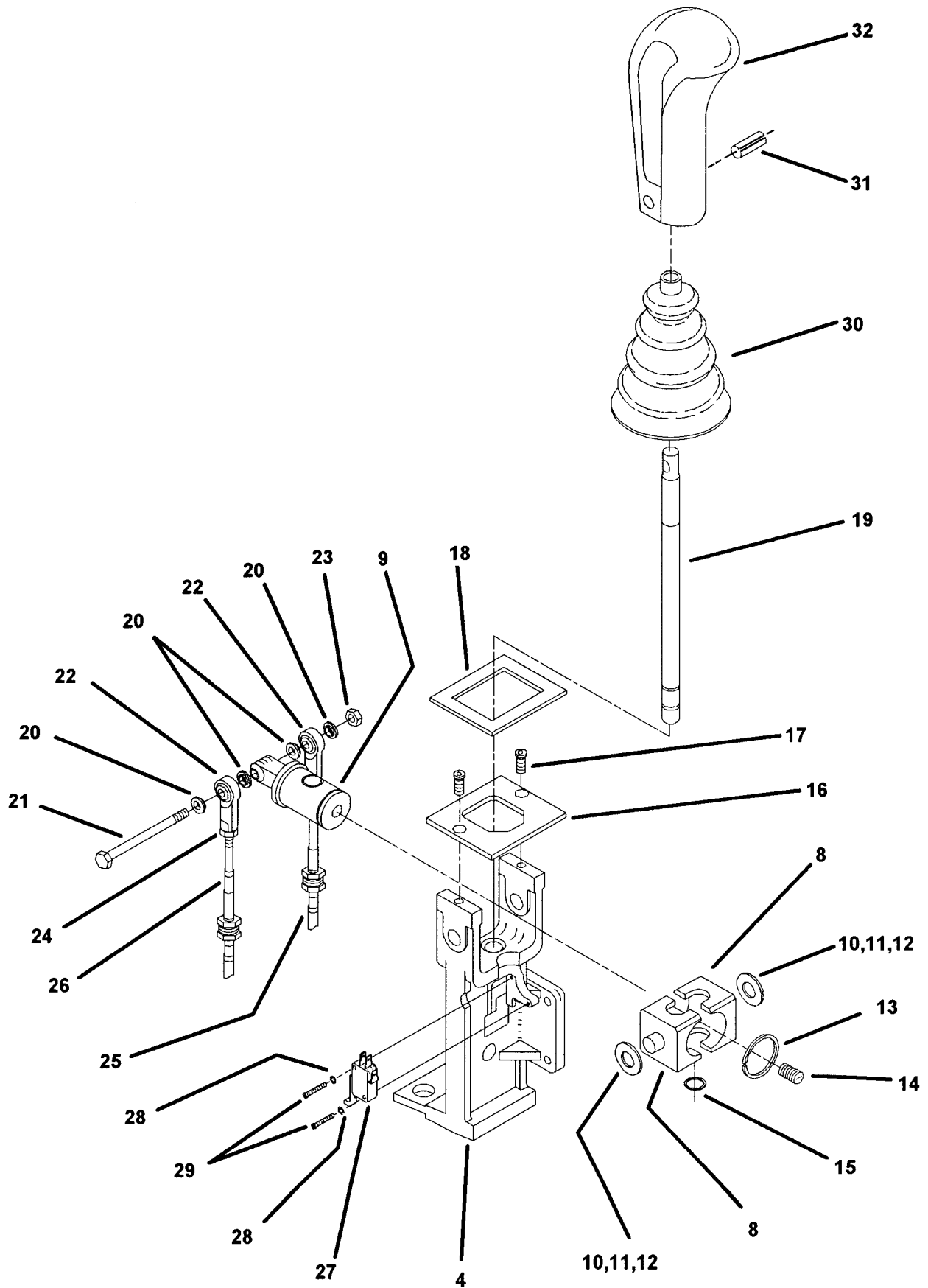


SEAT ASSEMBLY

<u>ITEM</u>	<u>PART NO.</u>	<u>DESCRIPTION</u>
1	79665	SEAT BRACKET WELDMENT
2	79713	CUSHION BACK ASSEMBLY
3	79662	CUSHION SEAT ASSEMBLY
4	79931	GUSSET, SEAT RIGHT
5	79932	GUSSET, SEAT LEFT
6	79928	HINGE
7	79927	HINGE
8	90073	BOLT, 1/4-20 X 3/4" GR. 5 (4)
9	90188	WASHER, FLAT STD. 5/16" (6)
10	79267	LOCK WASHER, 5/16" SPLIT SPRING (6)
11	90636	BOLT, 5/16-18 X 1" GR. 5 (6)
12	90052	LOCK WASHER, 1/4" SPLIT SPRING (4)
13	62066	BOLT, 5/16-18 X 5/8" LONG LOCK (2)
14	62067	WASHER, 5/16 ID X 5/8 OD X .035 THK (2)



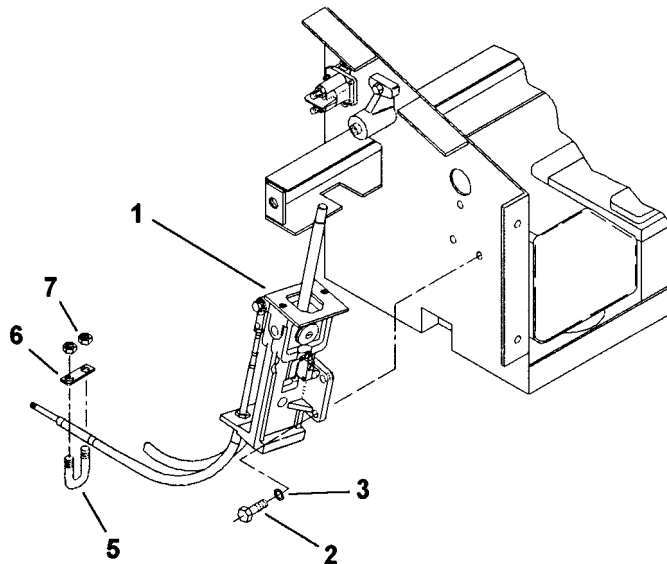
JOYSTICK STEERING CONTROL PARTS



JOYSTICK STEERING CONTROL PARTS

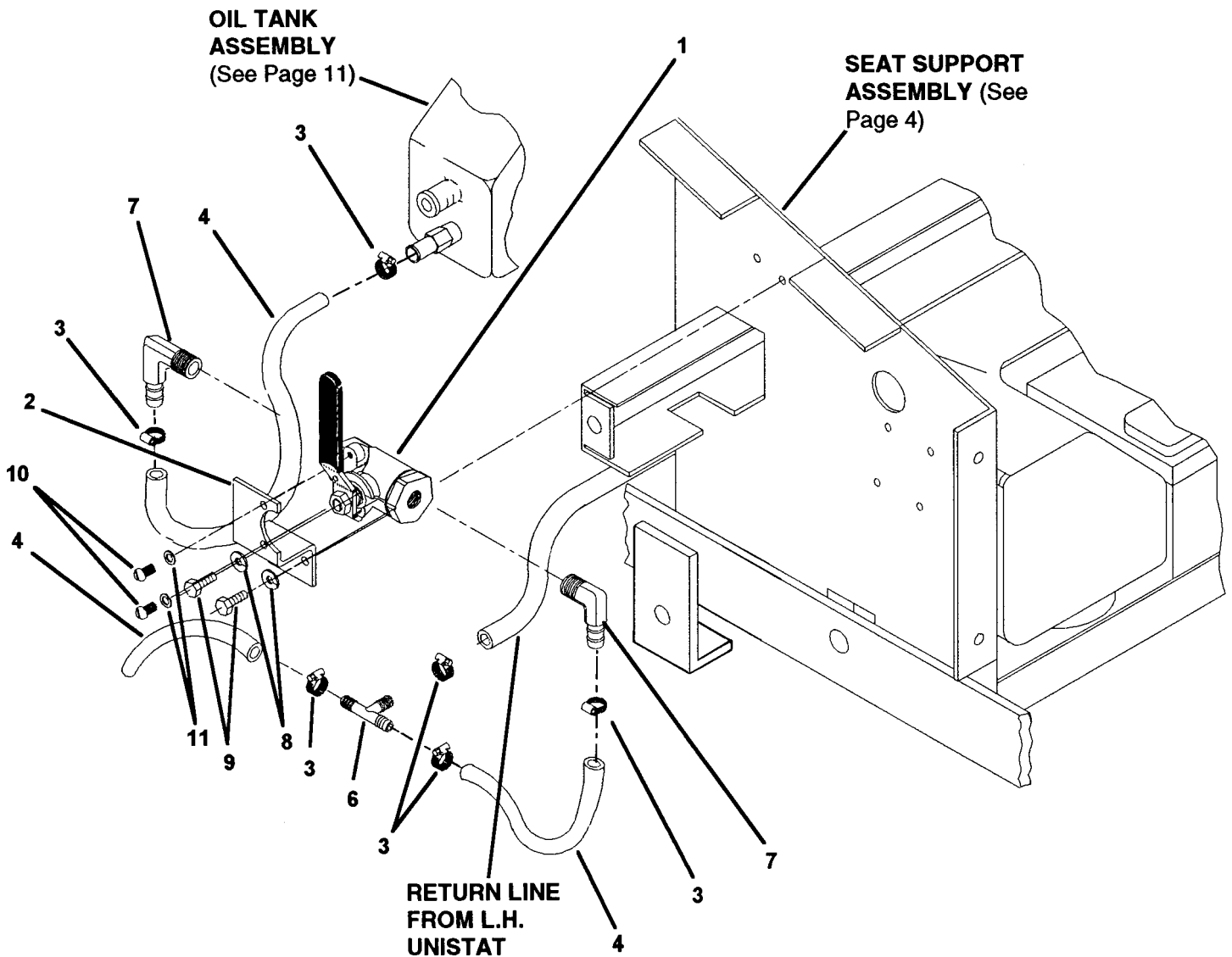
<u>ITEM</u>	<u>PART NO.</u>	<u>DESCRIPTION</u>
1	Illustration Only	JOYSTICK YOKE ASSEMBLY (Refer to Page 8 for breakdown)
2	90073	CAP SCREW, 1/4-20 x 3/4", Gr.5 (3)
3	90052	LOCK WASHER, 1/4" Split Ring (3)
4	79522	JOYSTICK YOKE
5	79301	U-BOLT, 5/16-18 X 1 3/16" (2)
6	79104	U-BOLT SPACER (2)
7	90717	NUT, 5/16-18, Nylock (4)
8	*	PIVOT BLOCK, Delrin Plastic(2)
9	*	PIVOT SHAFT, Delrin Plastic
10	62305	SHIM WASHER, 1/2 ID x 1 OD x .005 Thick (as required)
11	62306	SHIM WASHER, 1/2 ID x 1 OD x .010 Thick (as required)
12	62307	SHIM WASHER, 1/2 ID x 1 OD x .020 Thick (as required)
13	62304	SNAP RING, Spirlock
14	79537	BALL PLUNGER, 3/8-16 X 5/8"
15	79536	SNAP RING, 1/2"
16	79734	TOP PLATE, Joystick
17	79587	SCREW, 1/4-20 X 1/2", Flathead (2)
18	79867	GASKET, Foam
19	79696	JOYSTICK SHAFT
20	79807	BUSHING, Ball Joint (4)
21	62259	CAP SCREW, 1/4-20 X 3", Hex Head
22	79513	BALL JOINT, 1/4-28, Female (2)
23	79260	NUT, 1/4-20, Nylock
24	90095	NUT, 1/4-28, (comes with 26 & 27) (2)
25	79511	CABLE, PUSH-PULL , 55"
26	62336	CABLE, PUSH-PULL , 25-1/2"
27	79530	SWITCH, SPDT, Miniature
28	79534	LOCK WASHER, #4 Star (2)
29	79535	SCREW, #4-40 X 3/4" (2)
30	79529	BELLOWS BOOT
31	79294	ROLL PIN, 3/16 X 1"
32	23656	HANDLE GRIP

*** NOTE! USE REPLACEMENT
KIT No. 62303 (Kit includes
items 8 thru 13)**



PARKING BRAKE ASSEMBLY

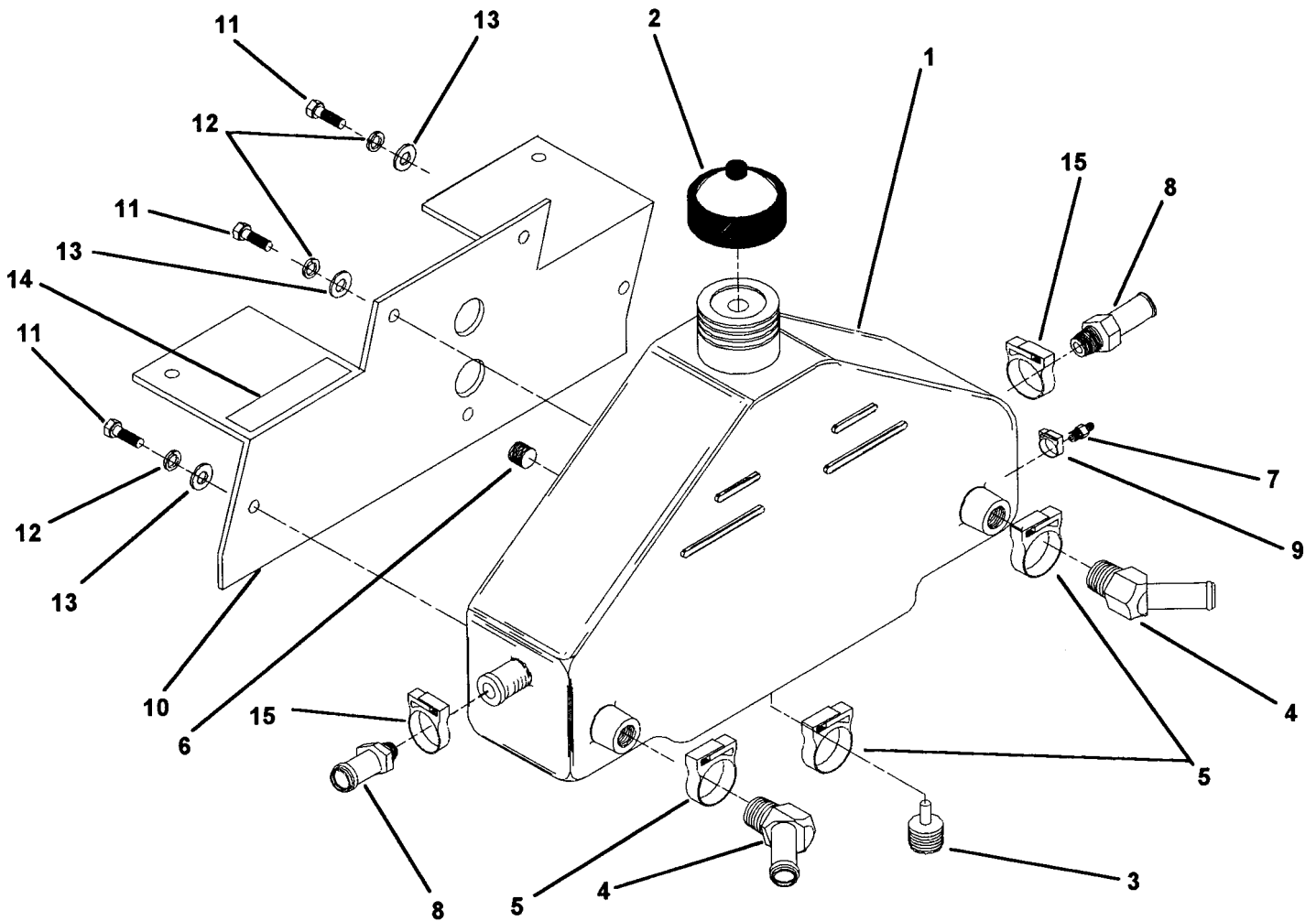
<u>ITEM</u>	<u>PART NO.</u>	<u>DESCRIPTION</u>
1	62329	BALL VALVE, 1/4 NPTF
2	62330	BRACKET, BRAKE VALVE MTG.
3	79569	HOSE CLAMP, 1/4 HH SCREW 1/4 MIN.(7)
4	62331	HOSE, 3/8 ID X 15" LONG (3)
5	62332	HOSE, 3/8 ID X 38" LONG
6	62333	TEE, HOSE BARB, 3/8 X 3/8 X 3/8
7	79794	HOSE BARB 90 EL 1/4 NPTM X 3/8 (2)
8	62334	LOCK WASHER, 1/4 EXTERNAL STAR (2)
9	62249	SCREW, 1/4 X 3/8 SELF-TAP (2)
10	62335	SCREW, #10-24 X 5/16, RND HEAD (2)
11	62232	LOCK WASHER SPLIT STL, # 10-32(2)



OIL TANK ASSEMBLY

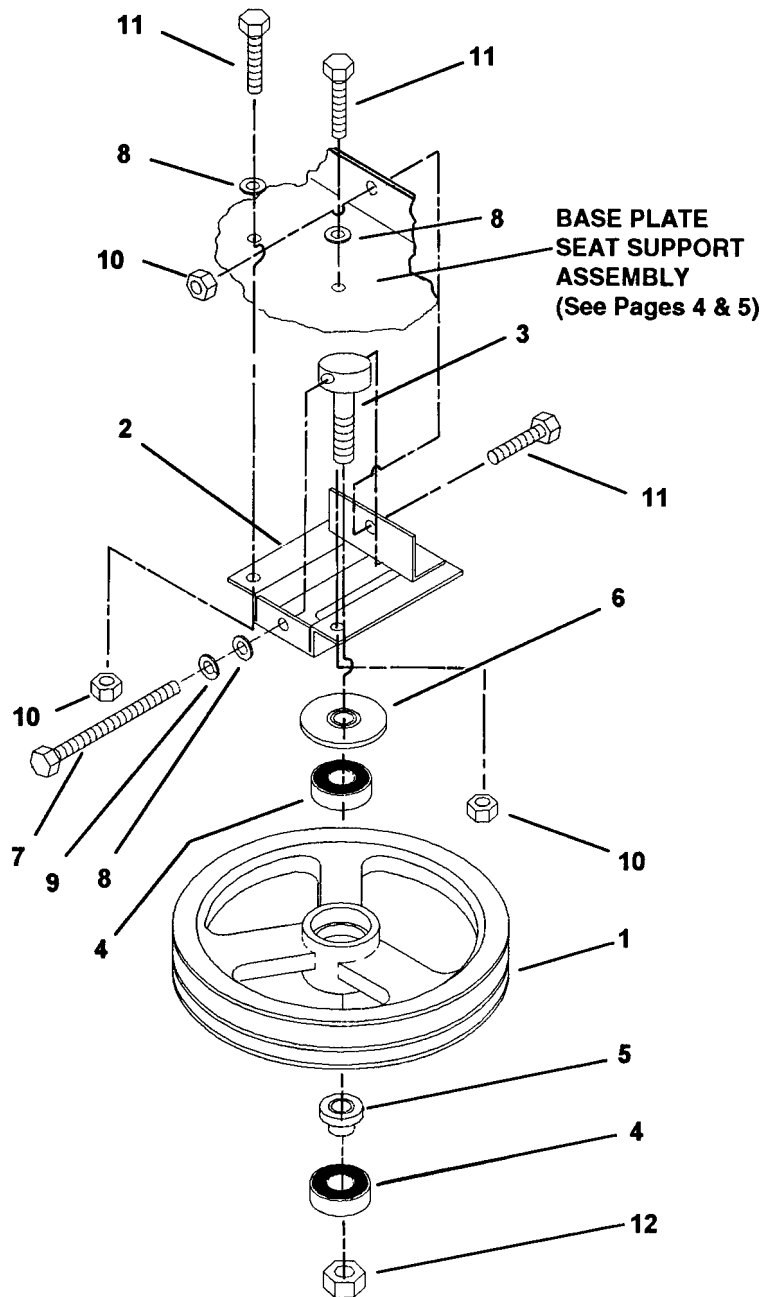
<u>ITEM</u>	<u>PART NO.</u>	<u>DESCRIPTION</u>
1	62167	OIL RESERVOIR UNISTAT
2	62166	OIL CAP,
3	62189	PLUG, MAGNETIC PIPE: 1/2"
4	62337	ELBOW 45 DEG 1/2, NPT X 5/8 (2)
5	62248	CLAMP,NYLON HOSE,1" (3)
6	62251	PIPE PLUG, 1/4 SOCKET HD
7	62338	FITTING, 1/8 NPT X 3/8 HOSE
8	62339	HOSE BARB, 5/8 HOSE X 1/4 (2)
9	79861	CLAMP,NYLON HOSE 5/8"
10	62386	MOUNTING,BRACKET
11	79315	CAPSCREW: HH 5/16-18 X 3/4 GR. 5 (4)
12	79267	LOCKWASHER, 5/16 HEAVY SPRING (4)
13	79263	WASHER, FLAT, STD, STEEL, 5/16" (4)
14	79963	DECAL "TRANSMISSION FLUID"
15	62419	CLAMP,NYLON HOSE, 3/4"(2)

NOTE: Use Mobile 1 15W 50 Synthetic Oil ONLY



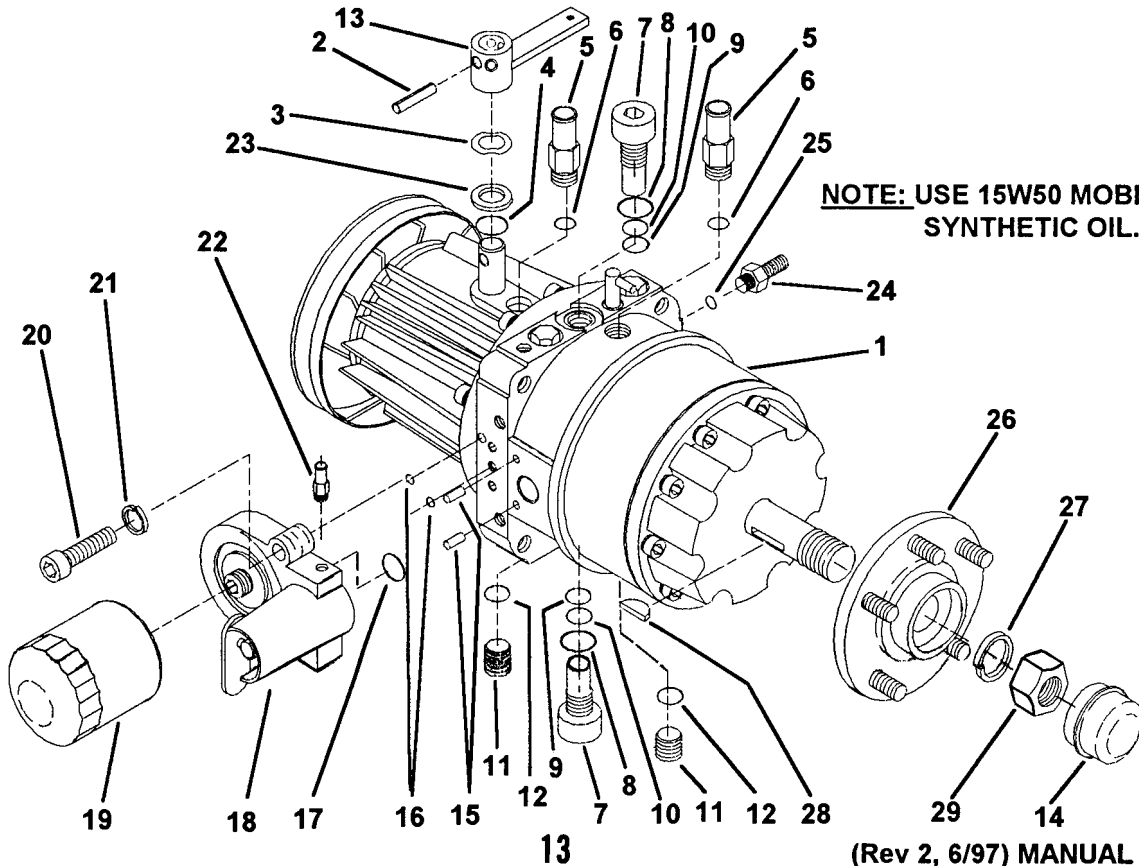
DOUBLE GROOVE IDLER ASSEMBLY

<u>ITEM</u>	<u>PART NO.</u>	<u>DESCRIPTION</u>
1	62340	IDLER, TWO (2) GROOVE. 8-3/4
2	62341	IDLER, MTG BRACKET
3	62342	IDLER, MTG STUD
4	62035	BEARING, #6203-2RS (2)
5	62037	IDLER STAND
6	62343	IDLER, MTG SPACER
7	79403	HEX TAP BOLT 5/16 X 4-1/2
8	79263	WASHER, FLAT STD, STEEL 5/16 (3)
9	79267	LOCK WASHER, 5/16 HEAVY SPRING
10	90717	NUT, HEX 5/16-18 NYLOC (3)
11	79315	CAP SCREW, HH 5/16-18 X 3/4 GR. 5 (3)
12	79277	LOCKNUT, 1/2-13; NYLOC



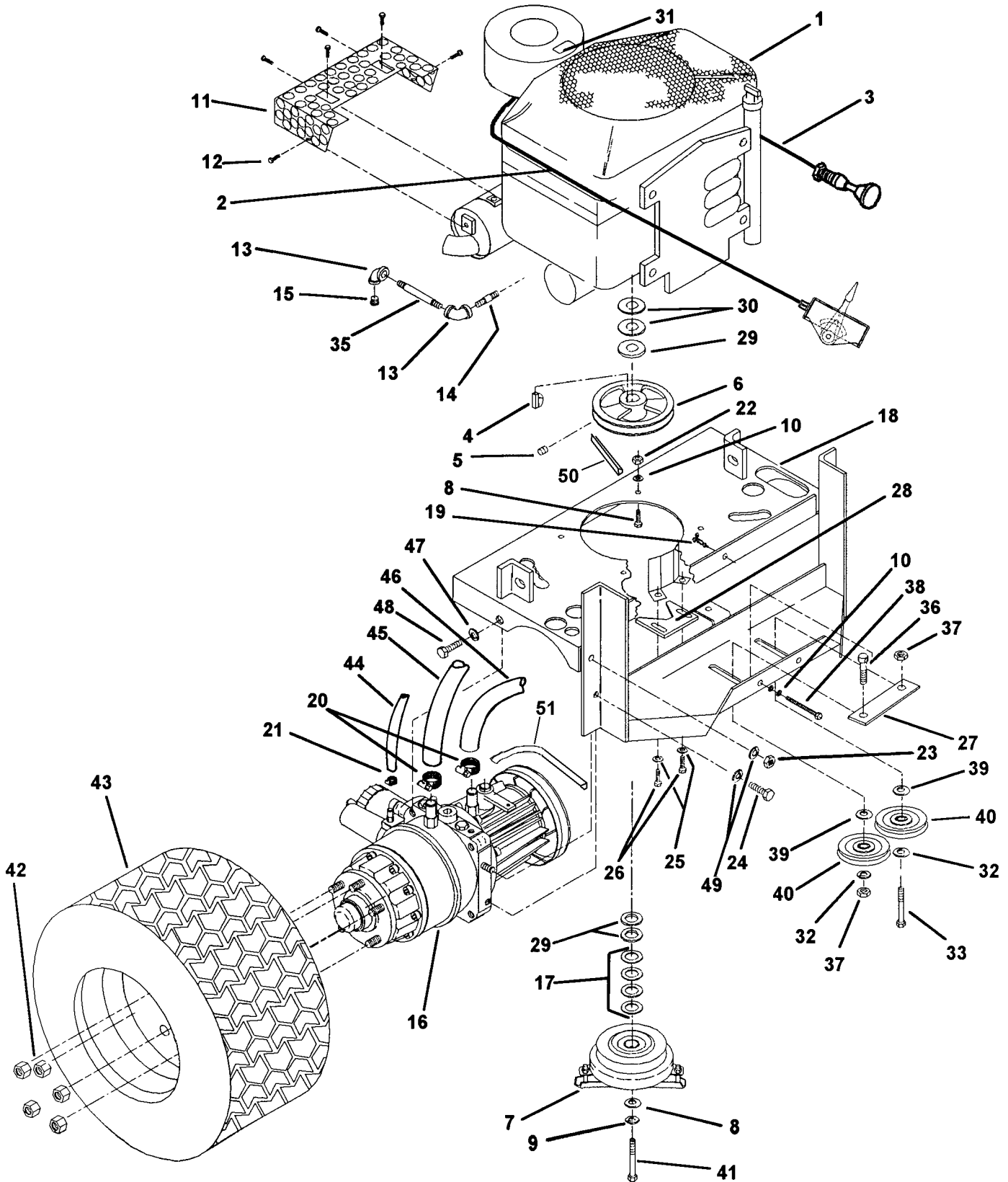
UNISTAT TRANSMISSION

ITEM	PART NO.	DESCRIPTION
1	62319	UNISTAT TRANSMISSION ASSEMBLY, R.H.
-	62320	UNISTAT TRANSMISSION ASSEMBLY, L.H.
2	79364	ROLL PIN, 5/16" OD X 1-1/4 LONG
3	62345	WASHER, WAVE SPRING: STAINLESS
4	62395	O-RING, .734 ID X .139 W
5	62351	FITTING, 5/8 HOSE 3/4-16, (comes with o-ring) (2)
6	62377	O-RING, .644 ID X .087 W, VITON
7	62346	HI-PRESSURE, RELIEF VALVE ASEMBLY, HI-CAP (2)
8	62374	O-RING, .924 ID X .116 W, VITON
9	62396	O-RING, .671 ID X .139 W, VITON
10	62394	BACK-UP RING
11	62180	PLUG O-RING: 3/4-16 (comes with o-ring) (2)
12	62377	O-RING, .644 ID X .087 W, VITON
13	62344	SHIFT ARM WELDMENT
14	62372	GREASE CAP 2" ID X 3/8 DP
15	62347	DOWEL PIN 1/4 X 1/2 LG(2)
16	79783	O-RING, VITON: .301 ID X .070 W (2)
17	79784	O-RING, VITON: 1.301 ID X .070 W
18	62348	FILTER BLOCK ASSEMBLY, R.H.
-	62349	FILTER BLOCK ASSEMBLY, L.H.
19	62261	OIL FILTER 3" OD X 3-11/32 H (NAPA 1045)
20	62375	SOCKET HEAD CAP SCREW 1/2"-13 X 2"(2)
21	90254	LOCK WASHER, 1/2" STANDARD SPLIT (2)
22	62338	FITTING, 1/8 NPT X 3/8 HOSE
23	62376	WASHER, SS: .781 X 1.137 X 18 GA
24	62371	MOUNTING PLUG ASSEMBLY, (comes with o-ring)
25	62373	O-RING, .486 ID X .078W, VITON
26	62350	WHEEL, HUB, 5-BOLT UNISTAT
27	62352	LOCK WASHER, 1" SPLIT GAL.
28	62353	KEY, WDRF. USAS 808 1/4" X 1", #15
29	62354	HEX NUT, 1"-14 NF, PLATED



NOTE: USE 15W50 MOBILE ONE SYNTHETIC OIL.

DRIVE TRAIN ASSEMBLY

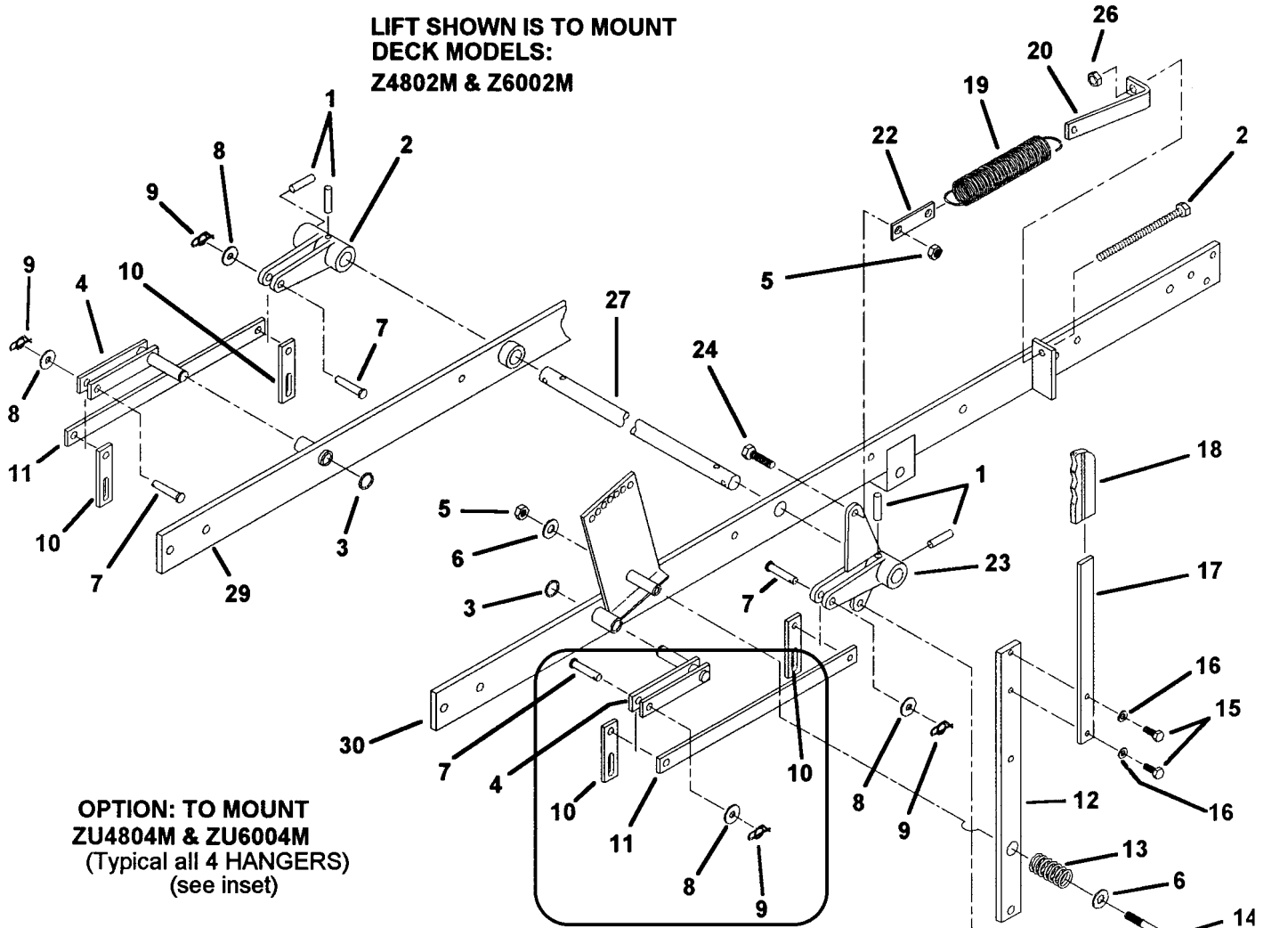


DRIVE TRAIN ASSEMBLY

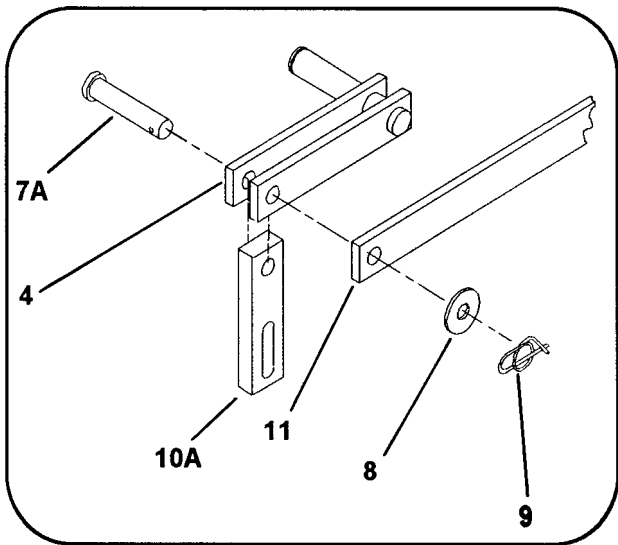
<u>ITEM</u>	<u>PART NO.</u>	<u>DESCRIPTION</u>
1	N/A	20 HP KOHLER, VERTICAL SHAFT ENGINE
2	79800	CABLE, THROTTLE
3	79801	CABLE, CHOKE
4	79159	KEY, WOODRUF, 1/4" X 3/4"
5	79823	SET SCREW, SOCKET HD., 5/16-18 X 3/8"
6	79423	PULLEY, 1-1/8" BORE
7	79446	CLUTCH, ELECTRIC, 1" BORE
8	79325	CAP SCREW HH 5/16-24 X 1-1/2 GR 5(4)
9	90247	LOCK WASHER, 7/16" SPLIT SPRING
10	79267	LOCK WASHER, 5/16" SPLIT SPRING (4)
11	62052	MUFFLER GUARD
12	79424	SCREW, SHEET METAL, #8-32 X 1/2"(6)
13	79210	ELBOW, 3/8, 90, SCH 40 CAST IRON (2)
14	62357	NIPPLE 3/8" CLOSE SCH. 40 BLACK
15	79367	PLUG, PIPE 3/8"
16	See Page 13	UNISTAT TRANSMISSION (R.H. SHOWN)
17	79020	WASHER, 10 GA. 1" BORE (4)
18	62328	MOTOR MOUNT WELDMENT
19	79864	BLIND HOLE KURLY
20	79952	CLAMP, HOSE 1/2" STAINLESS (4)
21	79569	CLAMP, 1/4 HH SCHREW 1/4 MI (2)
22	79324	NUT, 5/16-24 UNF, GR. 5 PLATED(4)
23	79936	NUT, HEX HEAD , 1/2 13 UNC 2B (2)
24	62038	CAP SCREW, HEX HEAD, 1/2-13 X 1-1/4 LG(2)
25	79410	WASHER, FLAT, STD, STEEL, 1/4" (2)
26	90073	CAP SCREW, HH 1/4-20 X 3/4" GR. 5 (2)
27	62379	PLATE, STAGGER
28	62358	PLATE, CLUTCH STOP
29	79427	WASHER, 16 GA. 1-1/8 " I.D. (3)
30	79426	WASHER, 10 GA. 1-3/16 ID (2)
31	79237	DECAL," PERIODICALLY CLEAN
32	79306	WASHER, 1/2" NOM, TYPE B NARROW(2)
33	79276	CAP SCREW, HEX HD., 1/2-13 X 2 GR.5
35	79425	NIPPLE, 3/8" X 4" SCH 40
36	79404	STUD, ADJUSTABLE
37	79277	LOCKNUT, 1/2-13, NYLOC (2)
38	79584	CAPSCREW, HX, 5/16-18 X 3",G2 FL-TH
39	79264	WASHER, FLAT, STD, 1/2"
40	79166	PULLEY, V-IDLER, 4.48 O.D.(2)
41	62263	CAP SCREW, 7/16-20 X 3" GR. 5
42	62359	WHEEL LUG NUT: 7/16-20, PLTD.(10)
43	62380	TIRE/WHEEL ASSEMBLY, 23-9.5 X 12 (2)
44	62331	HOSE, 3/8 ID X 15 " LG. R.H. SIDE
-	62332	HOSE, 3/8 ID X 38" LG. L.H. SIDE
45	62360	HOSE, 5/8 I.D. X 12" LG (2)
46	62361	HOSE, 5/8 I.D. X 7" LG(2)
47	79943	LOCK WASHER, SPLIT SPRING: 5/8" X-H (2)
48	62381	CAP SCREW, 5/8-11 X 1-1/2 (2)
49	90254	LOCKWASHER, SPLIT SPRING, 1/2" (4)
50	62321	BELT, KEVLAR, AK-42 (PRIMARY DRIVE)
51	62322	BELT, KEVLAR, AK-75 (SECONDARY DRIVE)

DECK LIFT PARTS

LIFT SHOWN IS TO MOUNT
DECK MODELS:
Z4802M & Z6002M



OPTION: TO MOUNT
ZU4804M & ZU6004M
(Typical all 4 HANGERS)
(see inset)



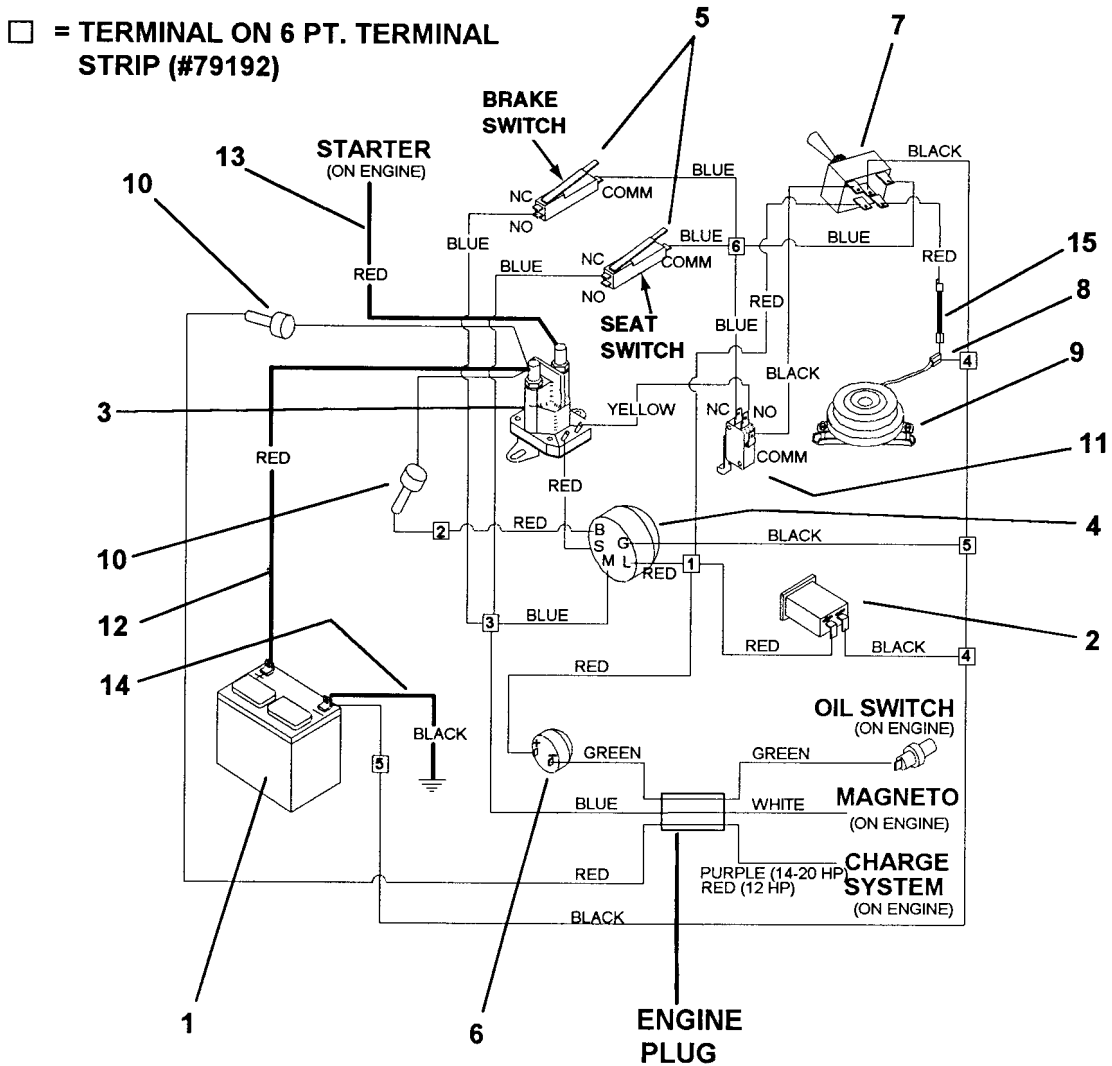
DECK LIFT PARTS

<u>ITEM</u>	<u>PART NO.</u>	<u>DESCRIPTION</u>
1	79827	ROLL PIN, 5/16 X 1-1/4 HBK (4)
2	79659	LIFT SLEEVE, R.H.
3	79844	SPIROLOX RETAINING RING (2)
4	79894	DECK HANGER WELDMENT (2)
5	79273	NUT, 3/8-16, NYLOC (2)
6	90600	WASHER, FLAT STD. 3/8" (2)
7	79831	CLEVIS PIN, 5/16 X 1-1/2" LONG (4)
7A	79298	CLEVIS PIN, 5/16 X 1-3/4" LONG (4)
8	90188	WASHER, FLAT STD. 5/16" (6)
9	79291	COTTER RUE RING, 5/16-3/8 (6)
10	79131	DECK HANGER BAR (4)
10A	62384	DECK HANGER BAR: HEAVY DUTY (4)
11	79893	BAR, CONNECTING (2)
12	79741	LOWER HANDLE WELDMENT
13	79799	SPRING, COMPRESSION, .975 O.D.
14	79504	BOLT, 3/8-16 X 3" GR. 5
15	90073	BOLT, 1/4-20 X 3/4" GR. 5 (2)
16	90052	LOCK WASHER, 1/4" SPLIT SPRING (2)
17	79740	TOP DECK HANDLE
18	79860	GRIP, HANDLE
19	79628	SPRING, EXT., 1.65 O.D. X 9"
20	79803	SPRING TIGHTENER
21	79833	BOLT, 3/8-16 X 5" FULL THREAD
22	79981	SPRING EXTENSION
23	79658	LIFT SLEEVE, L.H.
24	90587	BOLT, 3/8-16 X 1-1/4" GR. 5
25	79834	CLEVIS PIN, 3/8 X 1" (2)
26	79593	NUT, HEX. 3/8-16 UNC-2B
27	79695	LIFT BAR
28	79697	HANDLE LINK (2)
29	62327	FRAME SIDE WELDMENT, R.H.
30	62326	FRAME SIDE WELDMENT, L.H.

NOTE: DECK LIFT SHOWN IS FOR DECK MODELS: Z4802M AND Z6002M.
SEE INSET FOR DECK MODELS : ZU4804M AND ZU6004M.

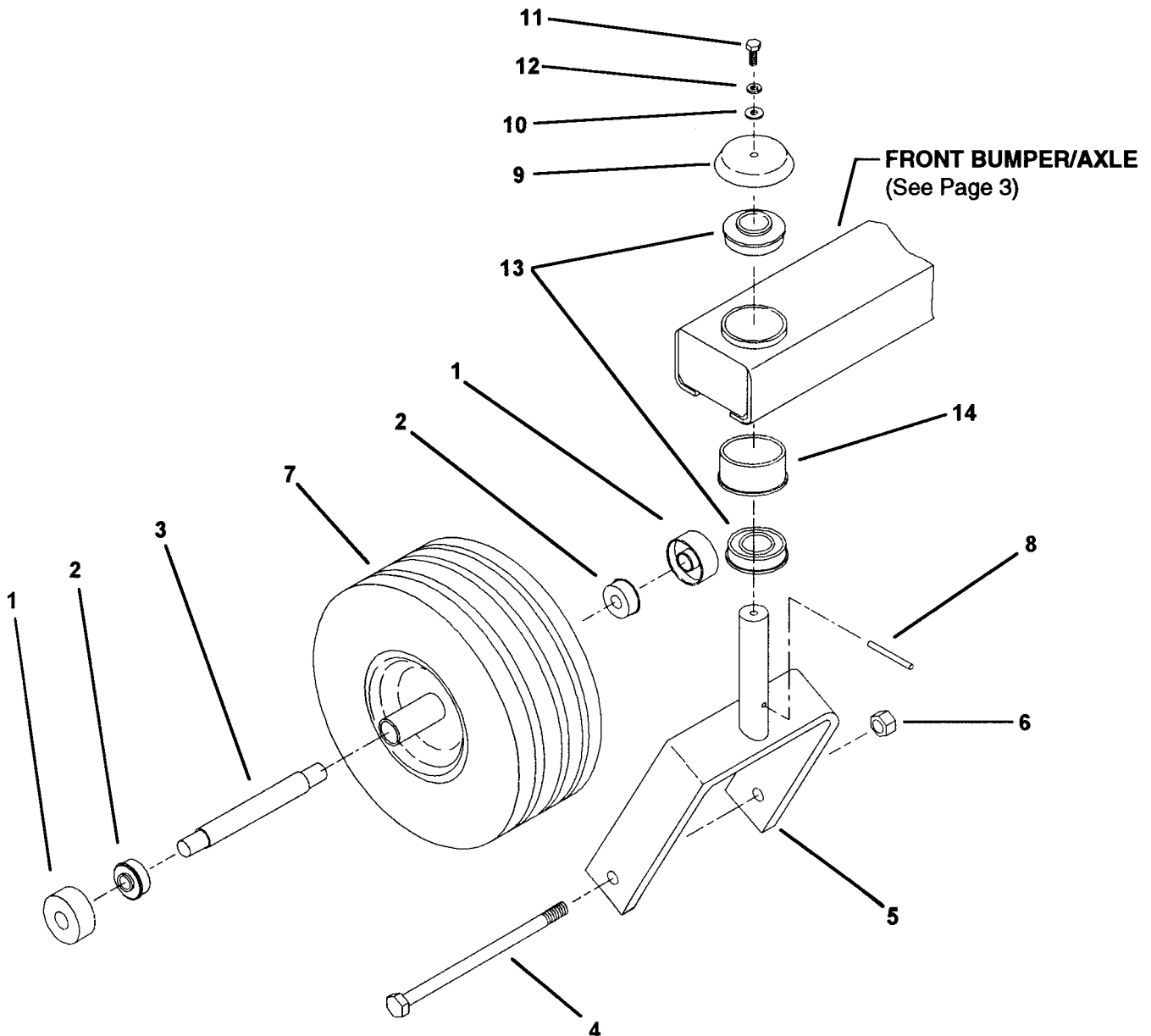
WIRE HARNESS

<u>ITEM</u>	<u>PART NO.</u>	<u>DESCRIPTION</u>
1	79482	BATTERY
2	79203	HOUR METER
3	79193	SOLENOID
4	79201	START SWITCH
5	79194	SWITCH, ENCL, SPDT 15A HINGED LEVER (2)
6	79208	BUZZER
7	79342	CLUTCH SWITCH
8	79204	INSULATOR COVER (female end only)
9	79446	ELECTRIC CLUTCH
10	79206	FUSE HOLDER (INLINE) (2)
-	79341	FUSE, 30 AMP (2)
11	79530	SWITCH, SPDT MINIATURE
12	79705	CABLE, BATTERY, 31.75" W/ BOOTS
13	79706	CABLE, STARTER, 31.75" W/OBOOTS
14	62314	WIRE ASS'Y, 24" BLK. 8 GA. ENG./GRD., 20 HP
15	62387	CLUTCH WIRE EXTENSION
-	79192	6 PT. TERMINAL STRIP

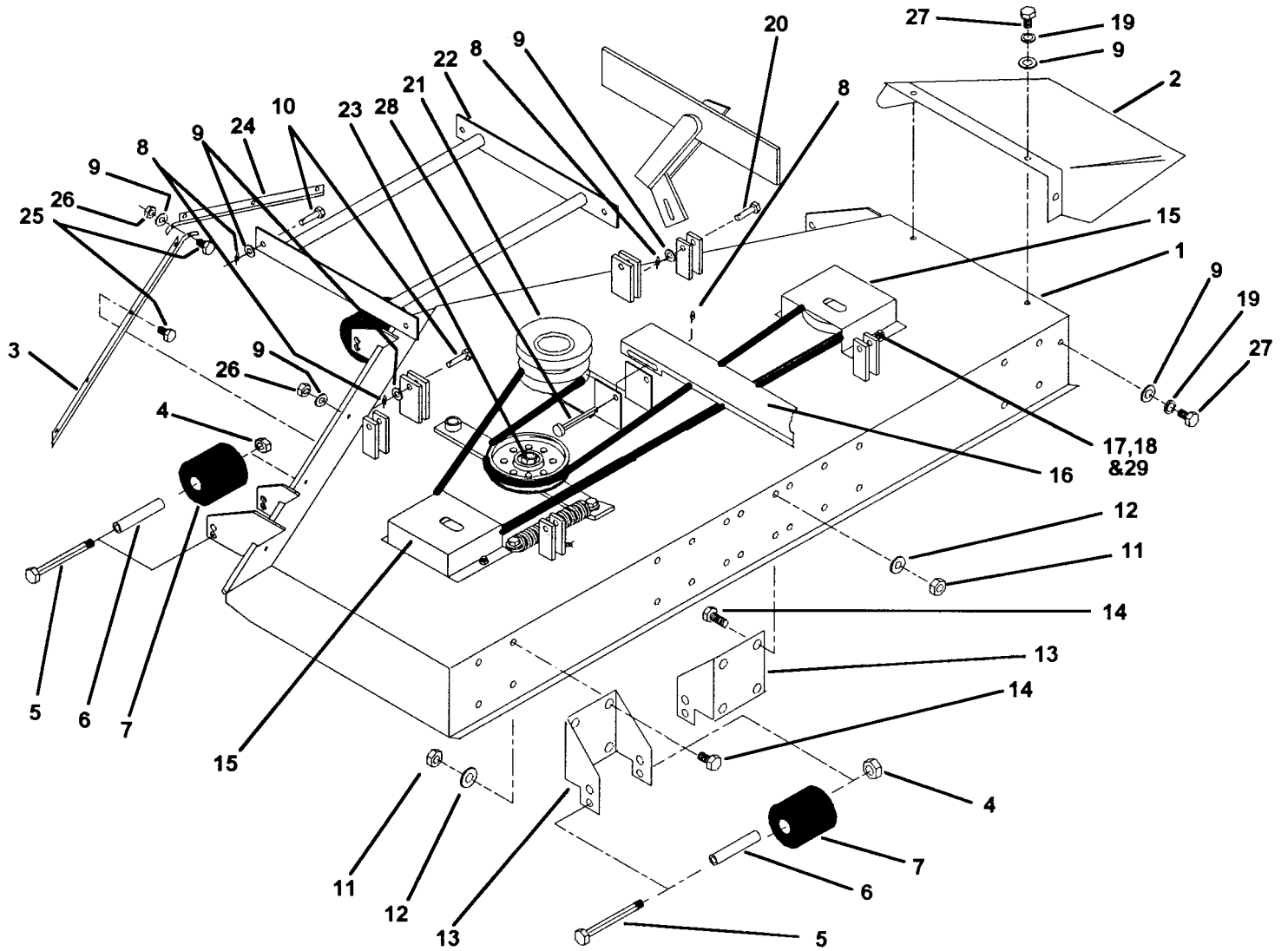


CASTER WHEEL ASSEMBLY

<u>ITEM</u>	<u>PART NO.</u>	<u>DESCRIPTION</u>
1	79357	SHIELD, BEARING (4)
2	79339	BEARING, 5/8 I.D. X 1-3/8 O.D. (4)
3	79358	SPACER, BEARING (2)
4	79363	BOLT, 1/2-13 X 8" GR.5 (2)
5	62323	CASTER WELDMENT, UNI JOYSTICK
6	79262	NUT, 1/2-13, STOVER (2)
7	62315	TIRE, 13X5-6, ON WHEEL, (RIBBED TREAD) (2)
8	79285	PIN, SPIRAL, 3/16 X 2 HEAVY DUTY (2)
9	79352	CAP, BEARING (2)
10	79410	WASHER, FLAT STD. 1/4" (2)
11	79344	BOLT, 1/4-20 X 5/8" GR.5 (2)
12	90052	LOCK WASHER, 1/4" HEAVY SPRING (2)
13	79331	BEARING, SPD SF-16-32 W/O COLLAR (4)
14	62324	SPACER, CASTER BEARING(2)



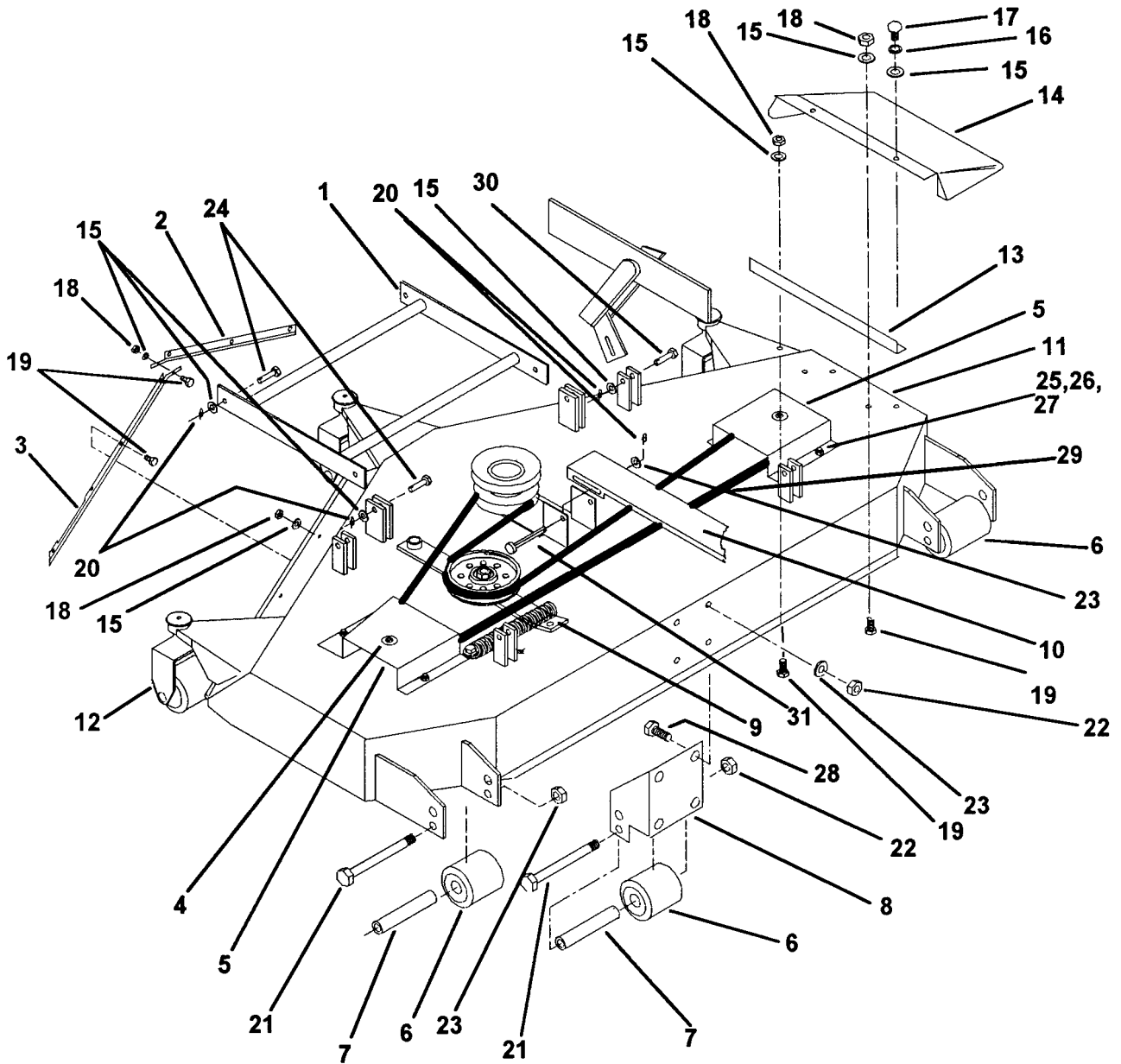
48" DECK ASSEMBLY



48" DECK ASSEMBLY

<u>ITEM</u>	<u>PART NO.</u>	<u>DESCRIPTION</u>
1	62392	48" DECK, WELDMENT
2	62211	48" DECK CHUTE ASSEMBLY
-	79234	DECAL, BLOODY STUMP
3	62224	LIP BAFFLE, 48" L. H.
4	90499	LOCKNUT, 3/8-16, .218 THICK (6)
5	79597	CAP SCREW, 3/8-16 X 5" GR. 5 (6)
6	79023	ROLLER SPACER BUSHING (6)
7	79226	ROLLER (6)
8	79291	COTTER RUE RING, 5/16-3/8 PIN (9)
9	79263	WASHER FLAT STD. 5/16" (19)
10	79284	CLEVIS PIN, 5/16 X 1-1/4" LONG (5)
11	79273	NUT, 3/8-16 NYLOC (8)
12	90600	WASHER, FLAT STD. 3/8" (8)
13	62214	REAR ANTI-SCALPER BRACKET (3)
14	90603	BOLT, 3/8-16 X 7/8" GR. 5 (12)
15	62215	PULLEY COVER, LOW HEIGHT (2)
16	See Page 24 & 25	DOUBLE IDLER CHANNEL ASSEMBLY
17	90073	BOLT, 1/4-20 X 3/4" GR. 5 (4)
18	90052	LOCK WASHER, 1/4" SPLIT SPRING (4)
19	79267	LOCK WASHER, 5/16" SPLIT SPRING (4)
20	79318	CLEVIS PIN, 5/16 X 1-1/2" LONG (4)
21	See Page 26 & 27	SPINDLE ASSEMBLY (3)
22	79655	DRAG BAR WELDMENT
23	See Page 29	SINGLE IDLER PARTS
24	62223	LIP BAFFLE, 48" DECK, R.H.
25	79438	BOLT, 5/16-18 X 3/4" CARRIAGE (8)
26	90717	NUT, 5/16-18 NYLOC (8)
27	76934	BOLT, 5/16-18 X 3/4" GR. 5 (4)
28	62163	CLEVIS PIN, 3/8 X 2-3/4 O.A.L.
29	79410	WASHER, FLAT STD, STEEL, 1/4" (4)
-	62199	DECAL, "GREASE SPINDLES"
-	79240	DECAL, "WARNING ROTATING BLADES"
-	79242	DECAL, "MISSING DECK CHUTE"
-	62389	DECAL, "MODEL ZU4804M"
-	79777	48" DECK CROSS BELT, AP-100
-	62065	ENGINE TO DECK BELT, BP-87

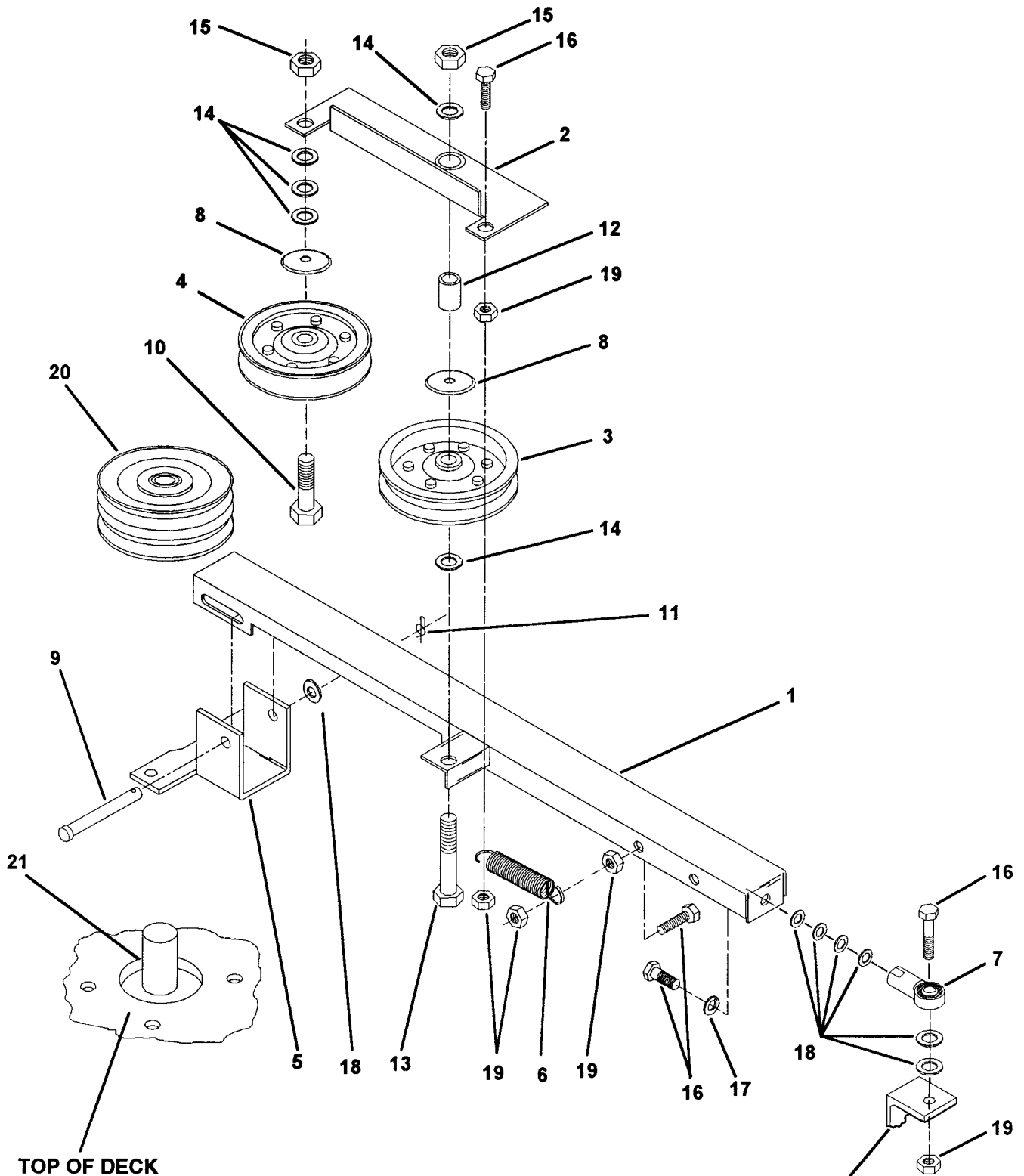
60" DECK ASSEMBLY



60" DECK ASSEMBLY

<u>ITEM</u>	<u>PART NO.</u>	<u>DESCRIPTION</u>
1	79655	DRAG BAR WELDMENT
2	62221	LIP BAFFLE R.H.
3	62222	LIP BAFFLE L.H.
4	See Page 26 & 27	SPINDLE ASSEMBLY (3)
5	62217	BELT GUARD (2)
6	79868	ROLLER, 3-3/4 X 4-13/16" LONG (6)
7	79882	BUSHING (6)
8	62219	BRACKET, REAR CENTER
9	See Page 29	SINGLE IDLER PARTS
10	See Page 24 & 25	DOUBLE IDLER CHANNEL ASSEMBLY
11	62393	60" DECK WELDMENT
12	See Page 28	60" DECK CASTER WHEEL
13	62218	OUTLET STIFFENER
14	62220	CHUTE ASSEMBLY
-	79234	DECAL "BLOODY STUMP"
15	90188	WASHER, FLAT STD. 5/16" (25)
16	79851	LOCK WASHER, INT. STAR 5/16"
17	79850	THUMBSCREW, 5/16-18 X 3/4" LONG (2)
18	90717	NUT, 5/16-18 NYLOC (13)
19	79438	BOLT, 5/16-18 X 3/4" CARRIAGE (14)
20	79291	COTTER RUE RING, 5/16 - 3/8 PIN (8)
21	79845	BOLT, 3/8-16 X 6" GR. 5 (6)
22	79273	NUT, 3/8-16 NYLOC (4)
23	90600	WASHER, FLAT STD. 3/8" (5)
24	79284	CLEVIS PIN, 5/16 X 1-1/4" LONG (4)
25	90073	BOLT, 1/4-20 X 3/4" GR. 5 (4)
26	90052	LOCK WASHER, 1/4" SPLIT SPRING (4)
27	79410	WASHER, FLAT STD. 1/4" (4)
28	90603	BOLT, 3/8-16 X 7/8" GR. 5 (4)
29	79186	DECK CROSS BELT A-112, KEVLAR
30	79318	CLEVIS PIN, 3/8 X 2" LONG (4)
31	62163	CLEVIS PIN, 3/8 X 2-3/4 O.A.L.
-	62199	DECAL, "GREASE SPINDLES"
-	79240	DECAL, "WARNING- ROTATING BLADES"
-	79242	DECAL, "MISSING CHUTE"
-	62390	DECAL, "MODEL #ZU6004M"
-	62065	ENGINE TO DECK BELT, BP-87

DOUBLE IDLER CHANNEL ASSEMBLY



**TOP OF DECK
WELDMENT**
(See Pages 20 & 23)

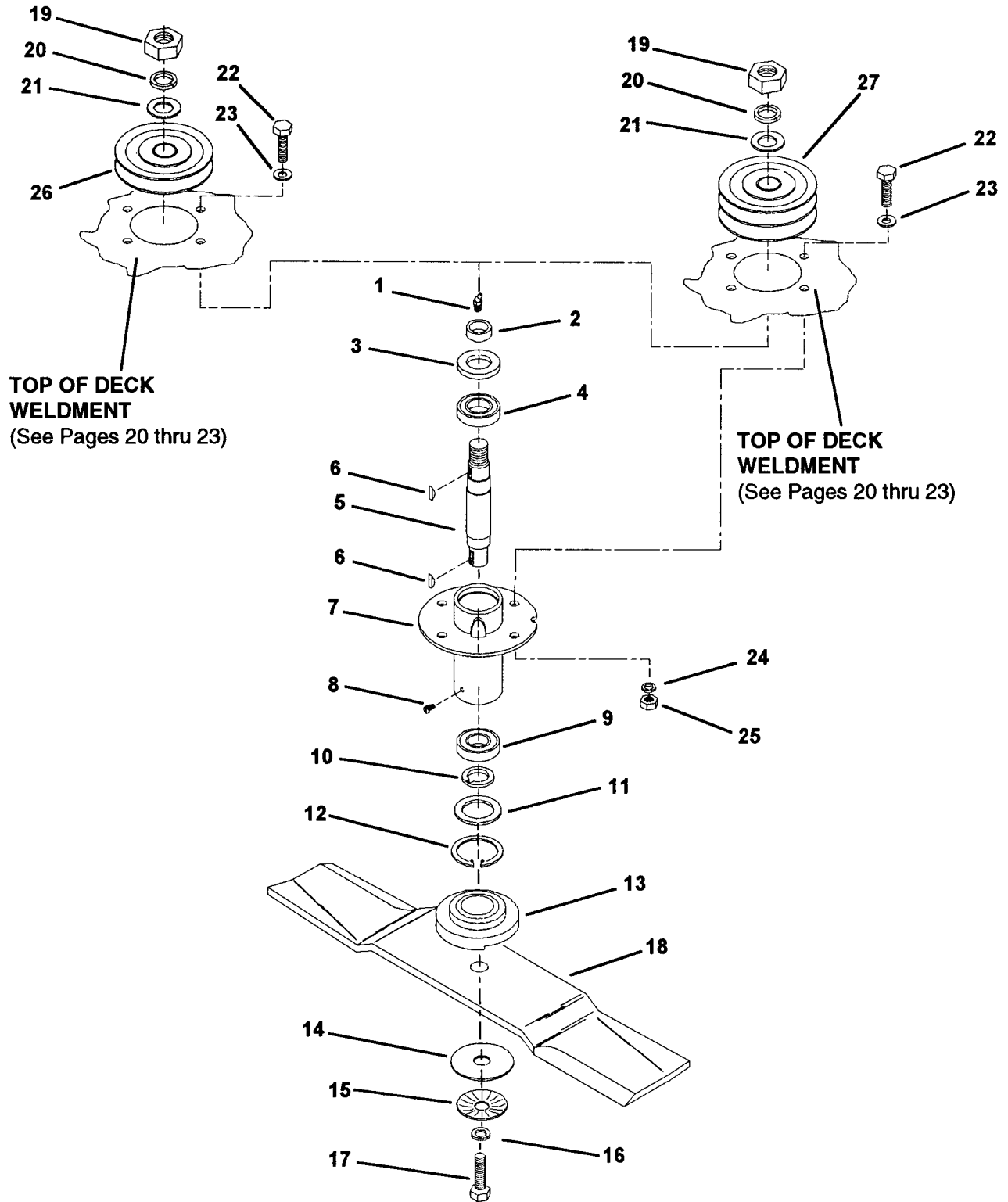
**ANGLE LUG ON
MOTOR MOUNT**
(See Page 3)

NOTE: KIT, Replacement Idler Mounting Pin
Part Number is 62421.

DOUBLE IDLER CHANNEL ASSEMBLY

<u>ITEM</u>	<u>PART NO.</u>	<u>DESCRIPTION</u>
1	62362	CHANNEL WLDT, DOUBLE IDLER MNT
2	62363	DOUBLE IDLER PIVOT WELDMENT
3	79167	PULLEY FLAT IDLED 1/2 BORE 4"
4	79166	PULLEY, V-IDLER, 4.48 O. D.
5	62364	BRACKET, CHANNEL, MTG.
6	79217	SPRING EXTENSION 3/4 X 4" OAL
7	79954	BALL JOINT, 3/8-24 FEMALE PLAIN
8	62286	WASHER, BEARING CAP (2)
9	62365	CLEVIS PIN, 3/8 2-3/4 O. A. L.
10	79276	HH CAPSCREW, 1/2-13 X 2 L, GR 5
11	79291	COTTER, RUE RING 5/16-3/8 PIN
12	62370	BUSHING, IDLER M
13	62388	CAPSCREW, 1/2-13 X 3
14	79264	WASHER, FLAT, STD, 1/2 (5)
15	79277	1/2"-13 LOCKNUT W/NYLOC (2)
16	79422	CAP SCREW, 3/8-24 X 1-1/4 GR.5 (4)
17	79268	LOCK WASHER 3/8 HVY SPRING
18	90600	WASHER, FLAT, STD, STEEL 3/8 (4)
19	90289	LOCK NUT, 3/8 24 M-F LOCKNUT (5)
20	-	PULLEY, 2 GROOVE, SPLIT STEEL
	79820	4-1/2" O.D., 48" DECK
	79821	5-3/8" O.D., 60" DECK
21	See Page 26 & 27	SPINDLE ASSEMBLY (48" OR 60" DECK)

DECK SPINDLE ASSEMBLY



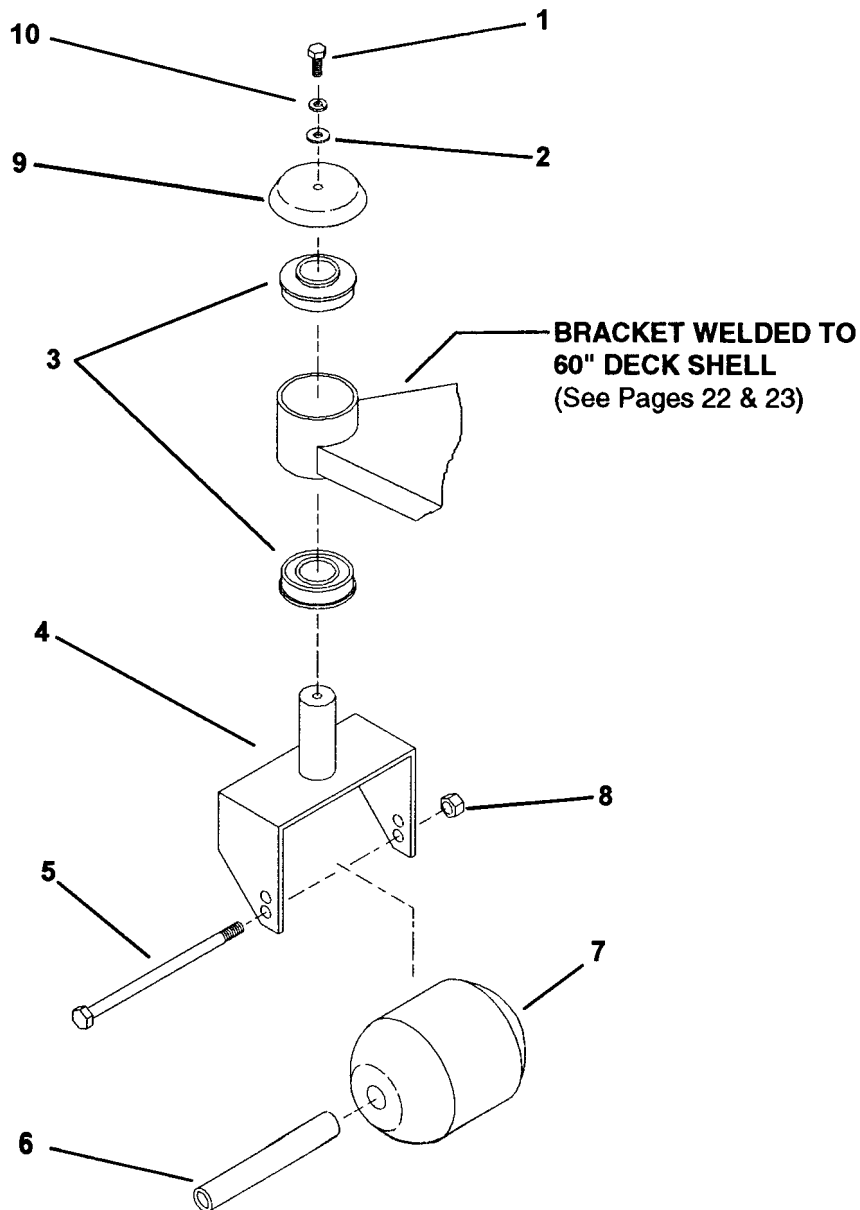
DECK SPINDLE ASSEMBLY

<u>ITEM</u>	<u>PART NO.</u>	<u>DESCRIPTION</u>
—	62171	DECK SPINDLE ASSEMBLY (3)
1	62164	GREASE FITTING
2	62216	SEAL RACE
3	62183	OIL SEAL
4	62155	BALL BEARING: SST # 6205
5	62172	SPINDLE SHAFT
6	79159	WOODRUFF KEY 1/4 X 3/4 (2)
7	62173	SPINDLE HOUSING
8	79269	DRIVE, SCREW # 4
9	62182	BALL BEARING: NTN #6205-RS
10	79044	ARBOR SPACER
11	79876	SEAL WASHER
12	79855	SNAP RING: 52 MM INTERNAL BORE
13	79877	BLADE SPACER
14	79038	FLAT WASHER, 1/2 X 2-1/2
15	79296	CUPPED WASHER, 1/2"
16	90254	LOCK WASHER, STANDARD: 1/2"
17	79309	CAP SCREW HX, 1/2-13 X 1-1/2" LG.
18	79369	BLADE: LOW LIFT 17" CUT, 48" DECK
—	79222	LOW LIFT 21" CUT, 60" DECK
19	79286	NUT, HEX JAM: 3/4
20	79287	LOCK WASHER, SPLIT SPRING: 3/4
21	79299	FLAT WASHER, NARROW: 3/4
22	79326	CAPSCREW, HEX HD: 3/8-24 NF X 1-1/2
23	79039	SPINDLE REINFORCEMENT(4)
24	79268	LOCK WASHER, SPLIT SPRING: 3/8
25	90289	LOCKNUT, M-F:3/8-24 NF
26	79819	PULLEY, 4 DIA. SPLIT STEEL
27	79821	PULLEY, 2 GROOVE, SPLIT STEEL
—	79820	4-1/2" O.D., 48" DECK
	79821	5-3/8" O.D., 60" DECK

NOTE: OPTIONAL BLADES ARE AVAILABLE AS FOLLOWS:
 79388 BLADE, HIGH LIFT, 17" CUT, 48" DECK
 79371 BLADE, HIGH LIFT, 21" CUT, 60" DECK

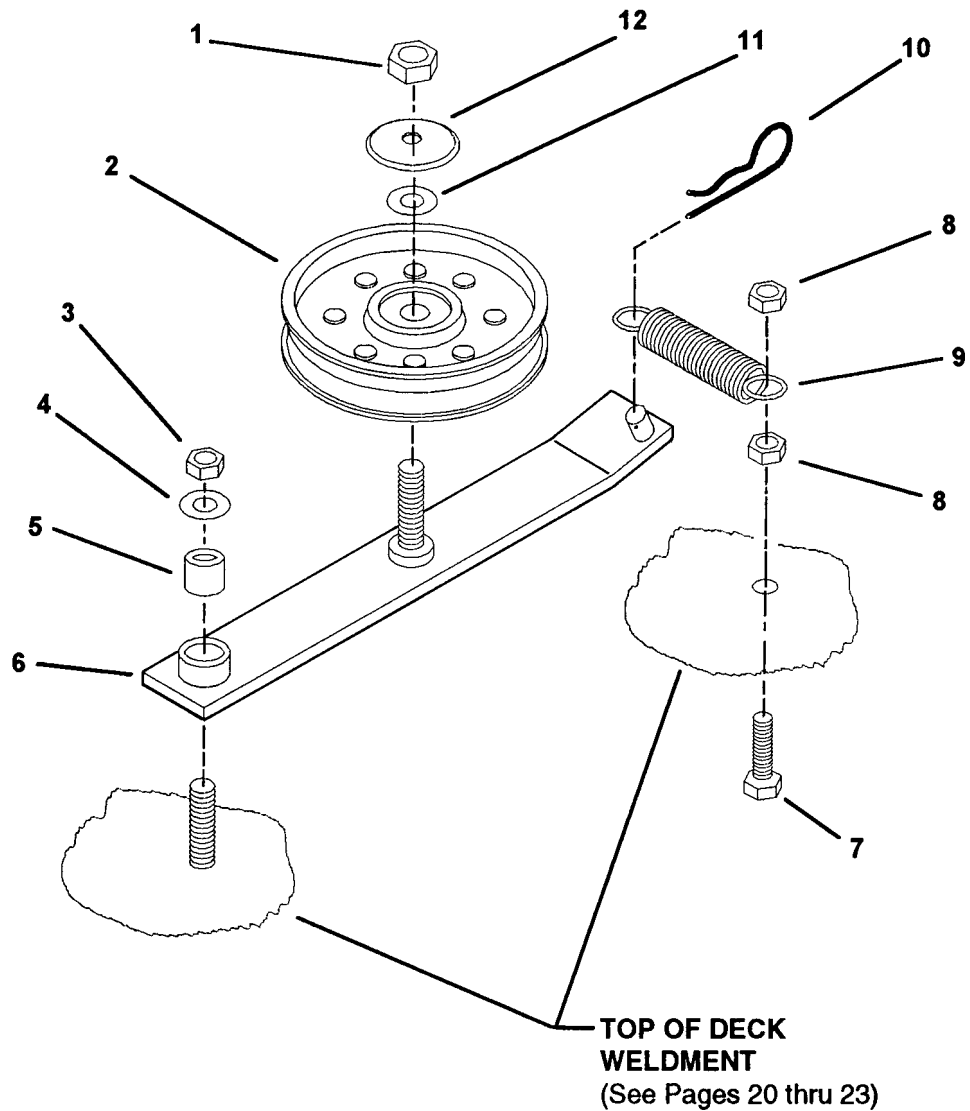
60" DECK CASTER WHEEL ASSEMBLY

<u>ITEM</u>	<u>PART NO.</u>	<u>DESCRIPTION</u>
1	90073	BOLT, 1/4-20 X 3/4" GR. 5
2	79410	WASHER, FLAT STD. 1/4"
3	79331	BEARING, SPD SF-16-32 NO/COLLAR (2)
4	79883	SWIVEL YOKE WELDMENT
5	79845	BOLT, 3/8-16 X 6" GR. 5
6	79882	BUSHING
7	79868	ROLLER, 3-3/4" X 4-13/16" LONG
8	79273	NUT, 3/8-16 NYLOC
9	79352	CAP, BEARING
10	90052	LOCK WASHER, 1/4" SPLIT SPRING



SINGLE IDLER ASSEMBLY

<u>ITEM</u>	<u>PART NO.</u>	<u>DESCRIPTION</u>
1	79277	NUT, HEX. 1/2-13 NYLOC
2	79167	PULLEY, FLAT IDLER, 1/2 BORE, 4" O.D.
3	79273	NUT, HEX. 3/8-16 NYLOC
4	90600	WASHER, FLAT STD. 3/8" W SERIES
5	79174	BEARING OILITE, 3/8 I.D. X 5/8" O.D.
6	79015	SINGLE IDLER ARM WELDMENT, 60" DECK
-	79880	SINGLE IDLER ARM WELDMENT. 48" DECK
7	79422	BOLT, 3/8-24 X 1-1/4" GR. 5
8	90289	NUT, 3/8-24, M-F LOCKNUT (2)
9	79217	SPRING, EXTENSION, 3/4 X 4" O.A.L.
10	79289	PIN, HAIR SPRING, 1/8 X 2-1/2"
11	79306	1/2" WASHER, TYPE B NARROW
12	62286	WASHER, BEARING CAP



Parts Manual for

SNAPPER®

ZERO TURN RADIUS MOWER

TRACTOR MODEL: ZU2014K

DECK MODELS:

ZU4804M & ZU6004M

SERIES 4

IT IS THE POLICY OF SNAPPER TO IMPROVE ITS PRODUCTS WHENEVER IT IS POSSIBLE AND PRACTICAL TO DO SO. WE RESERVE THE RIGHT TO MAKE CHANGES OR ADD IMPROVEMENTS AT ANY TIME WITHOUT INCURRING ANY OBLIGATION TO MAKE SUCH CHANGES ON PRODUCTS MANUFACTURED PREVIOUSLY.

SNAPPER® McDonough, GA., 30253 U.S.A.