

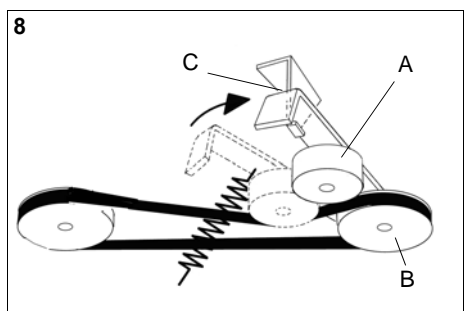
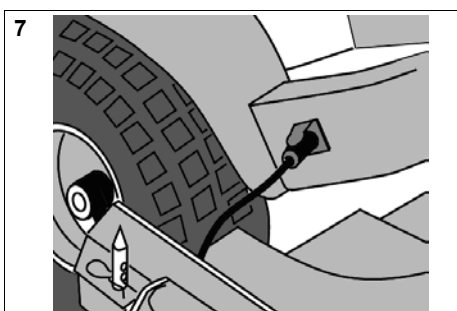
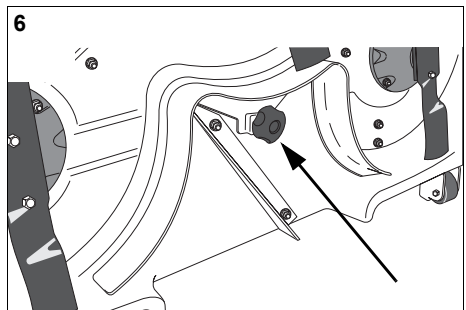
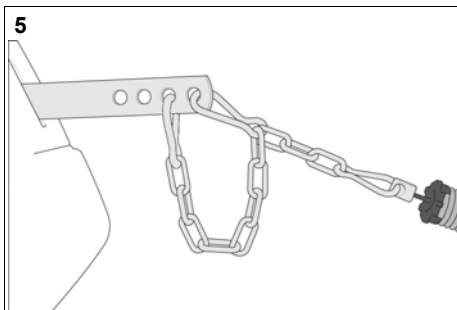
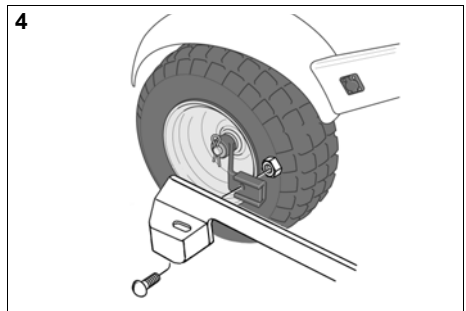
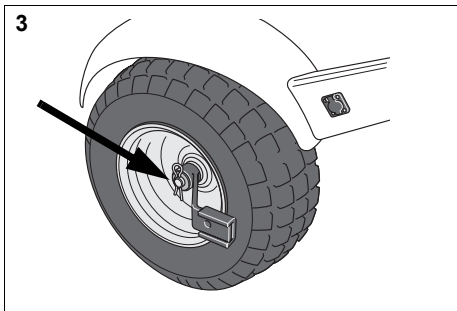
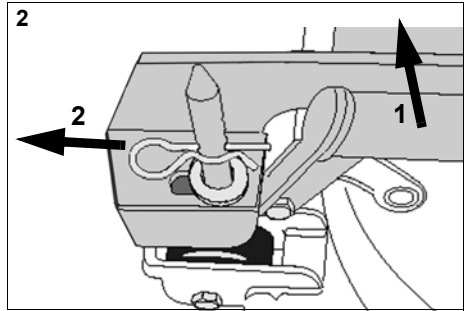
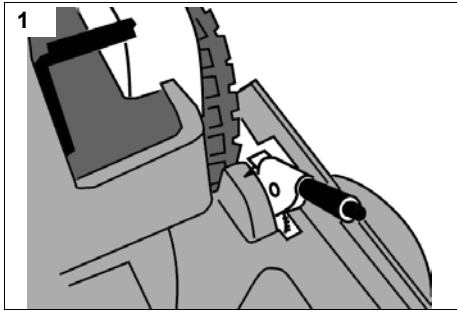
STIGA PARK 2WD

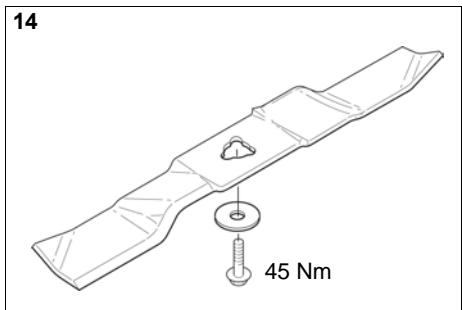
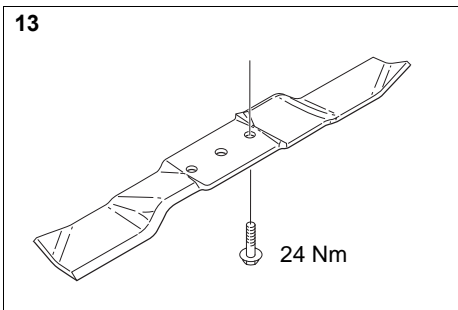
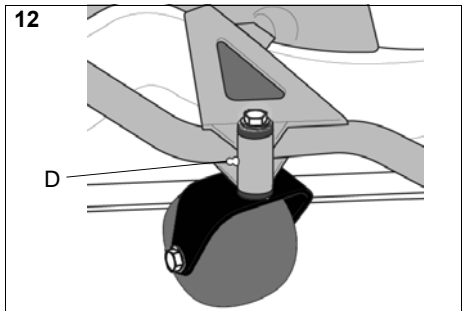
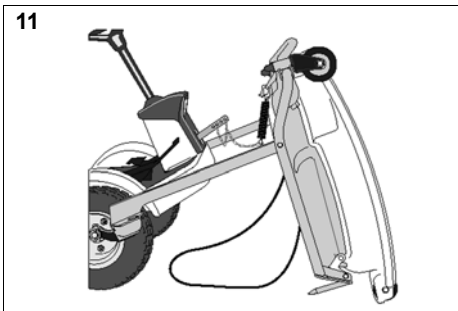
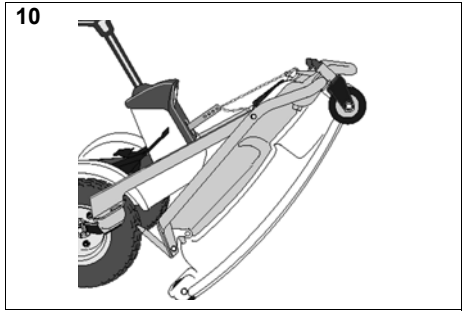
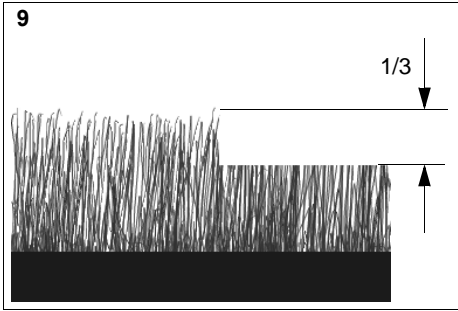
110 Combi Pro

125 Combi Pro



8211-0546-02





1 GENERAL



This symbol indicates **WARNING**. Serious personal injury and/or damage to property may result if the instructions are not followed carefully.



You must read these instructions for use and the machine's safety instructions carefully.

1.1 Symbols

The following symbols appear on the machine. They are there to remind you of the care and attention required in use.

This is what the symbols mean:



Warning!
Read the instruction manual and the safety manual before using the machine.



Warning!
Do not insert your hands or feet under the cover when the machine is in operation.



Warning!
Watch out for discarded objects. Keep on-lookers away.



Warning!
Before starting repair work, remove the spark plug cable from the spark plug.

1.2 References

1.2.1 Figures

The figures in these instructions for use are numbered 1, 2, 3, etc.

Components shown in the figures are marked A, B, C, etc.

A reference to component E in figure 5 is written "5:E".

1.2.2 Headings

The headings in these instructions for use are numbered in accordance with the following example: "2.3.2" is a subheading to "2.3" and is included under this heading.

When referring to headings, only the number of the heading is normally specified. E.g. "See 2.3.2".

2 DESCRIPTION

2.1 General

The cutting deck is intended for use on Stiga's 2-wheel drive Park machines.

The cutting deck is supplied in one of the following versions:

- With manual adjustment of cutting height.
- With electrical adjustment of cutting height.

2.2 Controls, 125 Combi Pro

2.2.1 Cutting height adjustment

The cutting height can be adjusted between 25 and 90 mm.

Electrical cutting height adjustment

The setting can be adjusted infinitely variably using a switch on the machine.

Manual cutting height adjustment

The setting can be adjusted to a number of fixed positions using the lever. See fig. 1.

2.2.2 Incline forwards

The rear section of the cutting deck can be raised 12 mm by moving the two pins down one hole from the basic setting. See fig. 2.

2.2.3 Rear mounting

The cutting deck's rear section is secured with the pins in fig. 2.

2.2.4 Mounting in implement lifter

The deck is mounted in the implement lifter with a chain and snap hooks.

One snap hook is intended for the working position and can be moved in the chain links to set the lifting force.

The other snap hook is intended for the washing position.

3 ASSEMBLY

3.1 Installing

1. Place the cutting deck in position in front of the machine.
2. Install the deck mounts on the machine's steering knuckles. See fig. 3.
3. Remove the pins and the washers on both sides. See fig. 2.
4. Screw the arms into each other. See fig. 4.
5. Suspend the cutting deck in the implement lifter. See fig. 5.
6. If the deck has electrical cutting height adjustment, connect the cable to the machine's front right socket. See fig. 7.

3.2 Belt

The cutting deck's rear section should rest on the floor (it should not be lifted or secured).

Install the belt as follows:

1. Set the maximum cutting height.
2. Locate the belt around the machine's belt pulley (8:B).
3. Tension the belt with the belt idler (8:A)B. The belt idler should be on the left side of the belt viewed from the driver's position.
4. Lift up and secure the rear section of the cutting deck.

On machines with 17" wheels: Install the washers and the pins in the top hole. See fig. 2.

On machines with 16" wheels: Install the washers and the pins in the middle hole. See fig. 2.

3.3 Tyre pressure

Adjust the air pressure in the tyres as follows:

Front: 0.6 bar (9 psi).

Rear: 0.4 bar (6 psi).

4.3 Mowing advice

In order to achieve optimum mowing results, follow the advice below:

- Cut frequently.
 - Run the engine at full throttle.
 - The grass should be dry.
 - Use sharp blades.
 - Keep the underside of the cutting deck clean.
- 125 Combi Pro can cut the grass in the following two ways:

- Mulching: composting and spreading.
- Rear ejection: ejects the grass in a line behind the deck.

The deck is set for mulching on delivery. In order to eject the grass in a line behind the deck, the plug in fig. 6 must be removed.

Set the deck in service position (see 5.3) in order to remove/install the plug.

4 USING THE MACHINE



Check that the grass that is to be cut is completely free of foreign objects such as stones etc.

4.1 Cutting height

The best cutting results are achieved when the top third of the grass is cut off. I.e. 2/3 of the length of the grass remains. See fig. 9.

If the grass is long and has to be cut significantly, cut twice using different cutting heights.

Do not use the lowest cutting heights if the lawn surface is uneven. This would entail a risk of the blades being damaged against the surface and the lawn's top layer of soil being removed.

4.2 Incline

The cutting deck's rear section can be lifted so that the deck has a greater forward incline than that provided by the basic setting. This incline affects the cutting results as follows.

4.2.1 No incline

When the deck is in the basic setting, the best mulching effect and good dispersion of the cut grass are achieved. The basic setting is recommended for normal grass.

4.2.2 Incline

When the cutting deck is inclined forwards, the mulching effect is reduced while the cut grass is dispersed better.

Inclining forwards is recommended for thicker grass.

5 MAINTENANCE

5.1 Preparation

All service and all maintenance must be carried out on a stationary machine with the engine switched off.



Prevent the machine from rolling by always applying the parking brake.



Stop the engine.



Prevent unintentional starting of the engine by disconnecting the spark plug cable from the spark plug and removing the ignition key.

5.2 Washing position

1. Activate the parking brake.
2. Set the implement lifter in transport position.
3. Set the highest cutting height.
4. Remove pins and washers. See fig. 2.
5. Grip the front edge of the deck and lift up. Hook on the chain so that the deck is pointing diagonally upwards. See fig. 10.

It is absolutely forbidden to start the engine when the deck is in the washing position.

Reset in accordance with 3.2, point 4.

5.3 Service position

1. Activate the parking brake.
 2. Set the implement lifter in transport position.
 3. Set the highest cutting height.
 4. If the deck has electrical cutting height adjustment, disconnect the cable from the machine. See fig. 7.
 5. Remove pins and washers. See fig. 2.
 6. Hook the belt idler arm on the mount (8:C)
 7. Force the belt off the centre pulley (8:B).
 8. Grip the front edge of the deck and lift up. Lift until the deck is completely vertical and rest the rear edge on the floor. See fig. 11.
- Reset in accordance with 3.1.

5.4 Cleaning

The underside of the deck must be cleaned after each use.

Set the deck in washing position.

Clean the underside of the deck carefully. Use a high-pressure washer, scraper and/or brush.

When the surfaces are completely dry and clean, touch up the paintwork. Use durable yellow paint intended for metal outdoors.

5.5 Wheels

125 Combi Pro is fitted with two lubricating cups (12:D) for the vertical shafts.

The grease nipples must be lubricated with universal grease after 50 hours of operation.

5.6 Replacing blades, fig. 13/14



Wear protective gloves when changing blade(s) to avoid cutting yourself.

Check that the blades are always sharp. This produces the best cutting results.

Always check the blade(s) after a collision. If the blade system has been damaged, defective parts should be replaced.



Always use genuine spare parts. Non-genuine spare parts can entail a risk of injury, even if they fit the machine.

The full blade is replaced when the edges are worn.

Install the new blade with the punched text facing down.

Tightening torque:

110 Combi Pro	24 Nm
125 Combi Pro	45 Nm

5.7 Wear protection

There are two wear protection devices on the underside of the cutting deck to protect it. These can be replaced if necessary.

6 SPARE PARTS

STIGA genuine spare parts and accessories are designed specifically for STIGA machines. Please note that 'non-genuine' spare parts and accessories have not been checked or approved by STIGA:



The use of such parts and accessories can affect the function and safety of the machine. STIGA accepts no responsibility for damage or injuries caused by such products.

7 DESIGN REGISTRATION

This product or parts thereof is covered by the following design registration:

Sweden: 66 166

Germany: 499 11 740.9

France: 577 251-253, 577 439-443

USA: 435 564

GGP reserves the right to make alterations to the product without prior notification.



www.stiga.com

GGP Sweden AB · Box 1006 · SE-573 28 TRANÅS