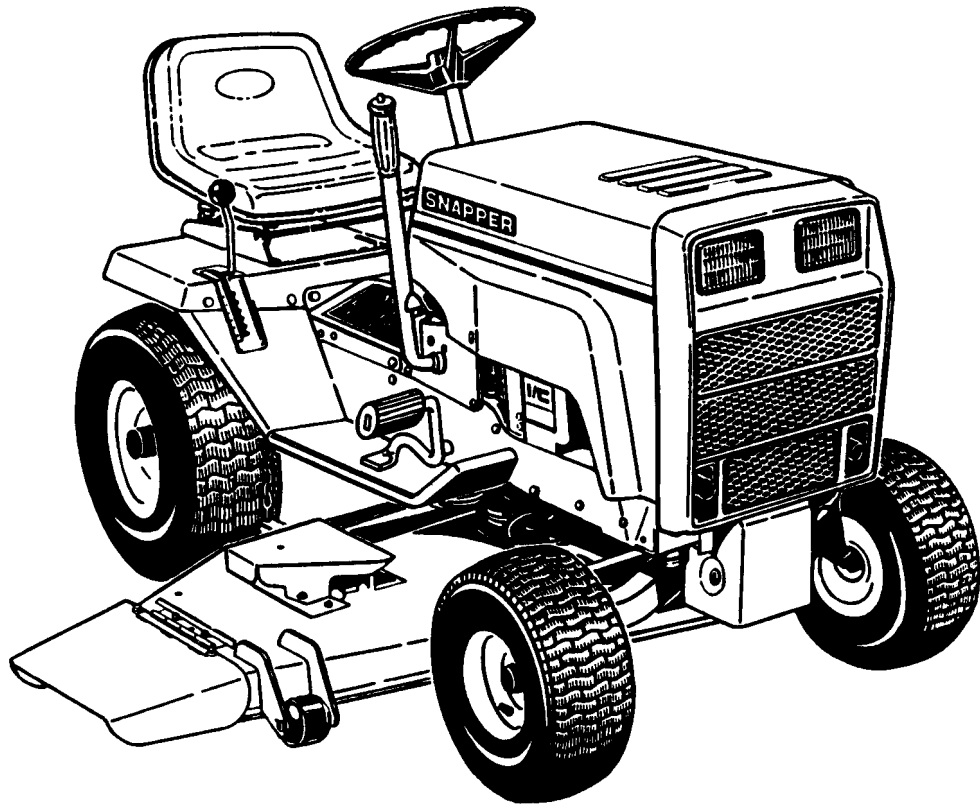


Parts Manual for

SNAPPER[®]

YT18H SERIES 3 & 4 HYDRO-DRIVE



YARD TRACTORS & MOWER ATTACHMENTS

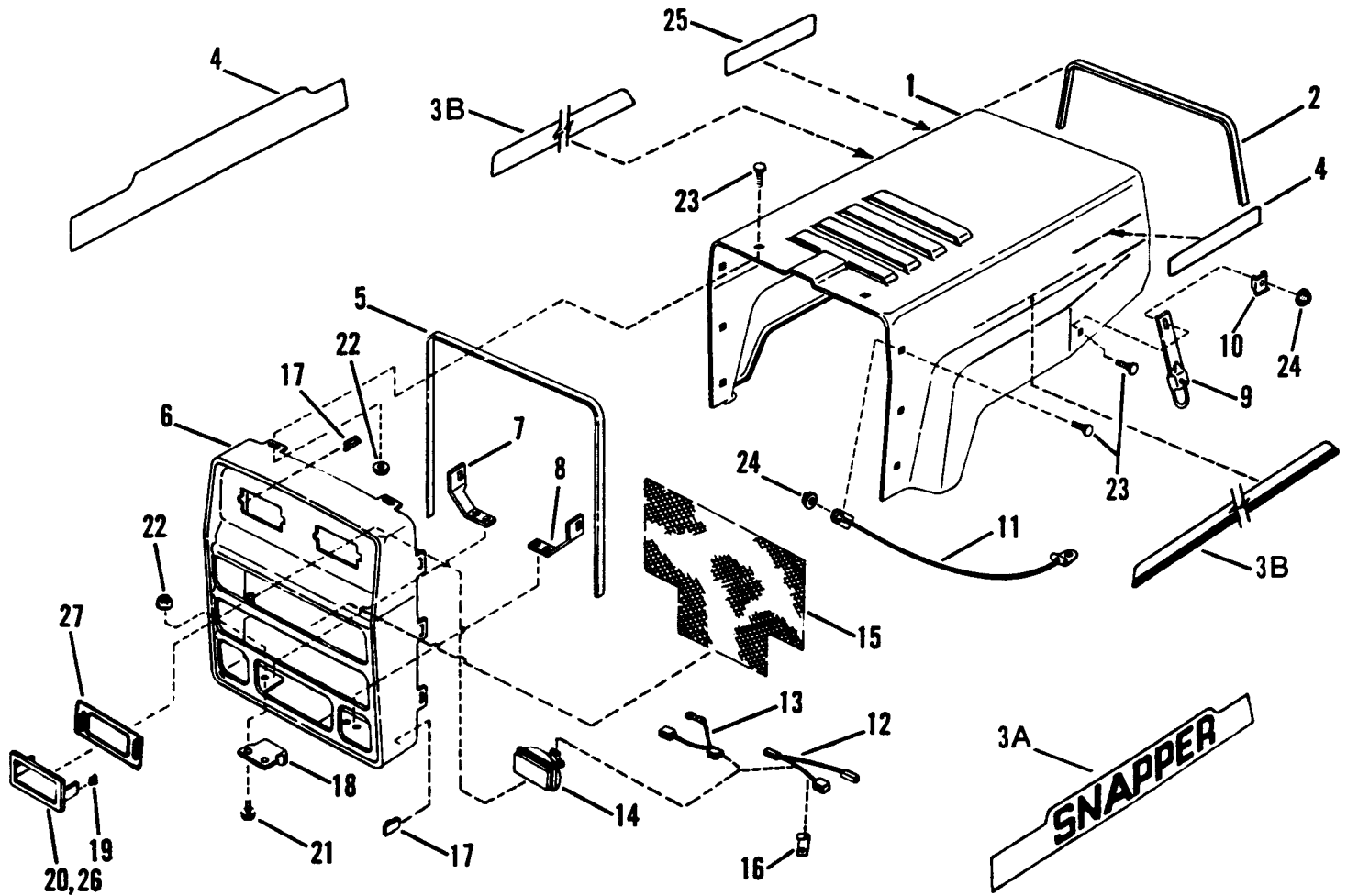
SNAPPER McDonough, GA., 30253 U.S.A.

CONTENTS

PAGE	GROUP
3	HOOD, GRILLE, HEADLAMPS
4	FUEL TANK, PEDESTAL, DASH PANEL
5	WHEELS - FRONT / WHEELS - REAR
6,7.....	SEAT, STEP PANELS, REAR FENDER
8,9.....	FRAME, ENGINE, DRIVE PARTS
10,11.....	STEERING & FRONT AXLE PARTS
12	IMPLEMENT LIFT PARTS
13	NEUTRAL BRAKE CONTROLS
14,15.....	HYDROSTATIC TRANSAXLE ASSEMBLY
16	DRIVE SHAFT ASSEMBLY
17	MULE DRIVE ASSM'Y. / SPINDLE ASSM'Y. (41" & 48" OUTBOARD)
18,19.....	33" CUTTING DECK, BELTS
20,21.....	41" CUTTING DECK
22,23.....	48" CUTTING DECK
24	DECK HANGER DETAIL / ELECTRIC CLUTCH ASSM'Y.
25	ELECTRICAL SYSTEM

IT IS THE POLICY OF SNAPPER POWER EQUIPMENT TO IMPROVE ITS PRODUCTS WHENEVER IT IS POSSIBLE AND PRACTICAL TO DO SO. WE RESERVE THE RIGHT TO MAKE CHANGES OR ADD IMPROVEMENTS AT ANY TIME WITHOUT INCURRING ANY OBLIGATION TO MAKE SUCH CHANGES ON PRODUCTS MANUFACTURED PREVIOUSLY.

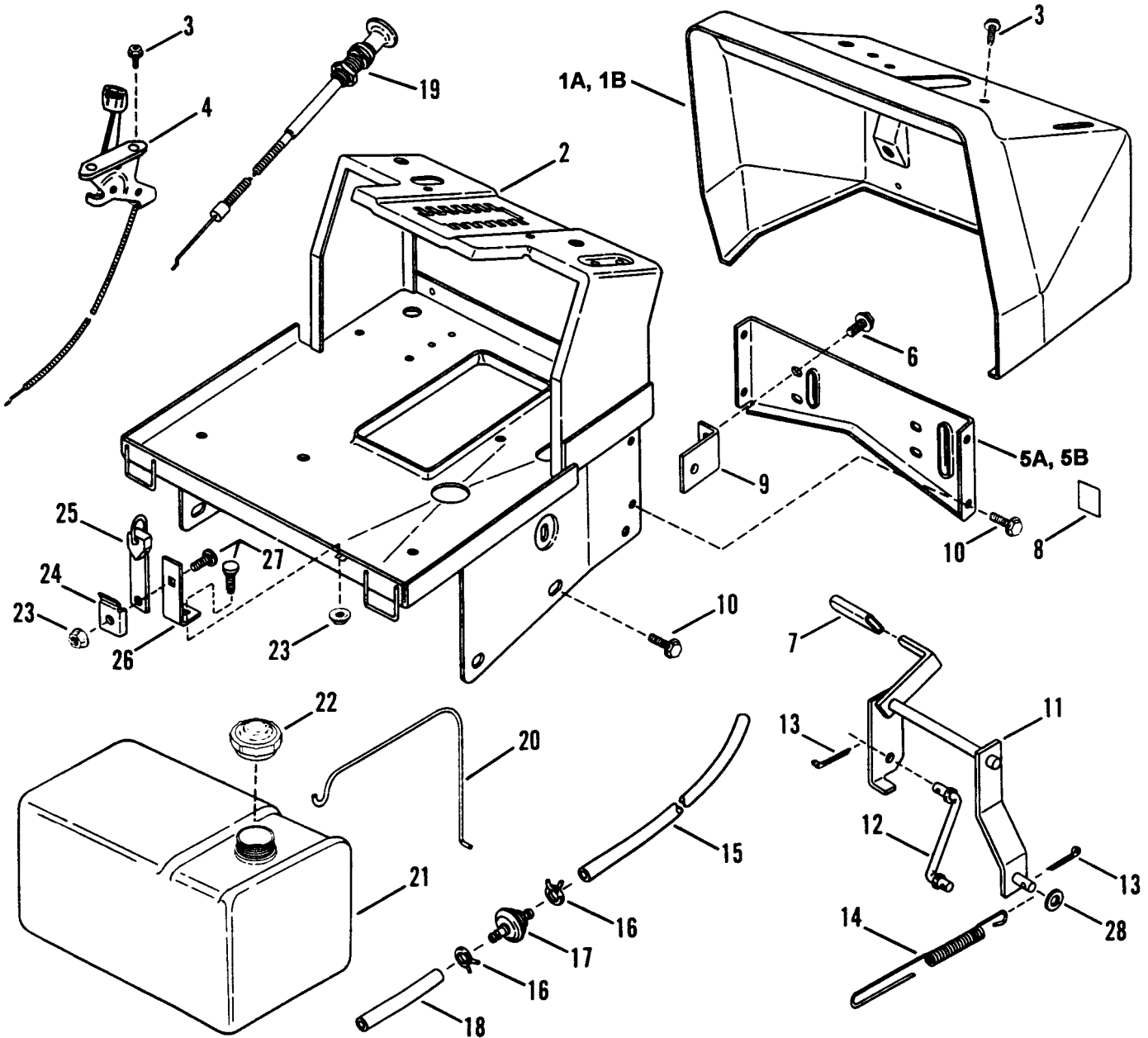
HOOD, GRILLE, HEADLAMPS



ITEM	PART NO.	DESCRIPTION
1	3-5047	HOOD, YT Series Tractor
2	1-4814	TRIM, Hood
3A	1-6067	DECAL, Snapper L.H. (Series 3)
3B	2-3805	DECAL, Stripe (2) (Series 4)
4	1-6066	DECAL, Snapper R.H. (Series 3)
5	1-4815	GASKET, Grille
6	3-5103	GRILLE
7	3-8157	BRACE, Grille, R.H.
8	3-8158	BRACE, Grille, L.H.
9	1-8254	LATCH, Hood Retaining (2)
10	3-2444	CLIP, Hood Retainer (2)
11	1-2674	CABLE, Hood Stop (2)
12	1-5486	HARNESS, Head Lamp Wiring
13	1-5487	HARNESS, Head Lamp Ground Wiring
14	1-8829	HEAD LAMP (2)

ITEM	PART NO.	DESCRIPTION
15	3-6117	MESH, Grille
16	1-2652	CLIP, Wiring Harness (2)
17	1-2691	CLIP (2)
18	3-2398	HINGE, Hood (2)
19	1-5664	CLIP, Head Lamp Mounting (2)
20	3-3211	BEZEL, Head Lamp Mount. (2)
21	9-0596	BOLT, 1/4-20 x 5/8" Hex Flange Lock, Grade 5 (4)
22	9-0583	NUT, 1/4-20 Hex Flange Lock (12)
23	9-0803	BOLT, 1/4-20 x 5/8" Flat Head Carriage (10)
24	9-0477	NUT, 1/4-20 Hex Fl. Top Lock (6)
25	1-9294	DECAL, Snapper (2) (Series 4)
26	3-3032	REINFORCEMENT, Bezel
27	1-7591	RETAINER, Wire

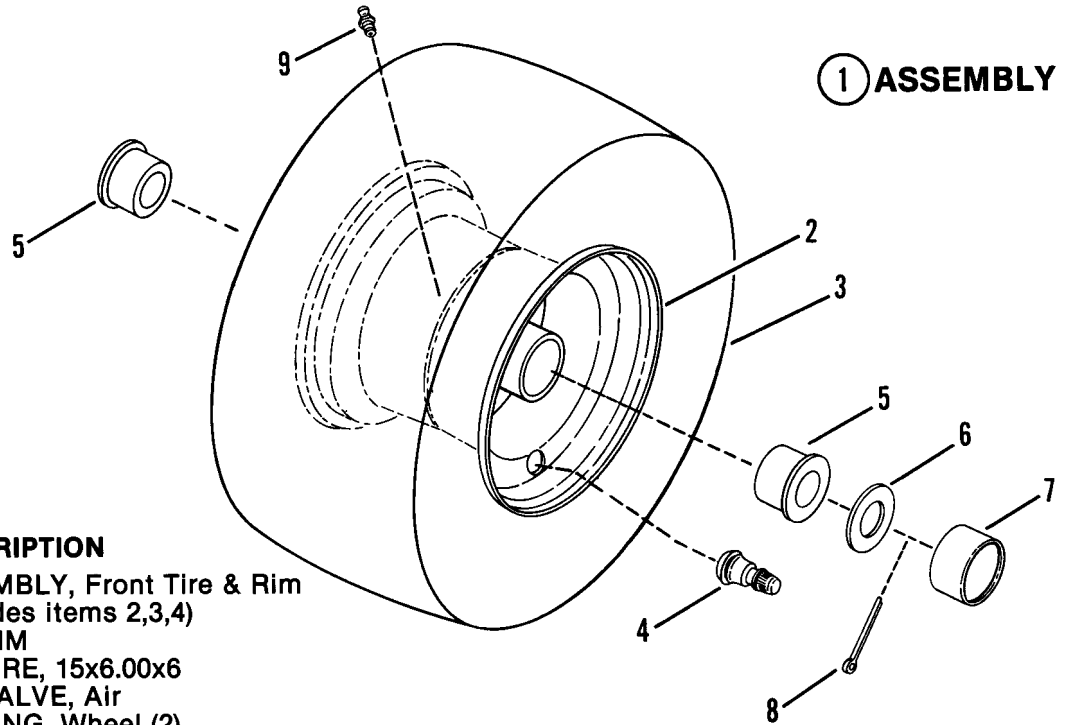
FUEL TANK, PEDESTAL, DASH PANEL



ITEM	PART NO.	DESCRIPTION
1A	1-6093	PANEL, Dash (Series 4)
1B	1-6043	PANEL, Dash (Series 3)
2	4-9943	PEDESTAL
3	9-0853	SCREW, #10-24 x 1/2" Self-Tapping (6)
4	1-8996	CONTROL, Throttle
5A	3-8658	BRACKET, Lower Dash (Series 4)
5B	3-8543	BRACKET, Lower Dash (Series 3)
6	9-0741	SCREW, 1/4-20 x 5/8" Self-Tap (4)
7	1-4755	SLEEVE, Parking Brake
8	2-3896	DECAL, Cruise (Series 4)
9	3-2856	BRACKET (2) (Series 4)
10	9-0361	SCREW, 5/16-18 x 5/8" Self-Tap (10)
11	4-7981	LEVER, Engagement (Series 4)
12	1-9290	LATCH ROD, (Series 4)
13	9-0037	COTTER-PIN, 3/32 x 3/4" (2)
14	1-9292	SPRING (Series 4)

ITEM	PART NO.	DESCRIPTION
15	1-2912	LINE, Fuel (12-1/2" Long)
16	1-2222	CLAMP, Fuel Line (4)
17	1-4359	FILTER, Fuel (In-Line) (Series 4)
18	3-2542	LINE, Fuel (3" Long)
19	1-8674	CONTROL, Choke Cable
20	2-3346	HOLD-DOWN, Fuel Tank
21	5-7551	TANK, Fuel (Includes item 22)
22	1-4363	CAP, Fuel Tank Filler
23	9-0477	NUT, 1/4-20 Hex Flange Top Lock (2) (Replaces 9-0583)
24	3-2444	CLIP, Hood Retainer
25	1-8254	STRAP, Tank Hold-Down
26	3-2749	BRACKET, Tank Hold-Down
27	9-0803	BOLT, 1/4-20 x 5/8" Flat Head Carriage (2)
28	9-0122	WASHER, 3/8 SAE Flat (Series 4)

FRONT WHEELS

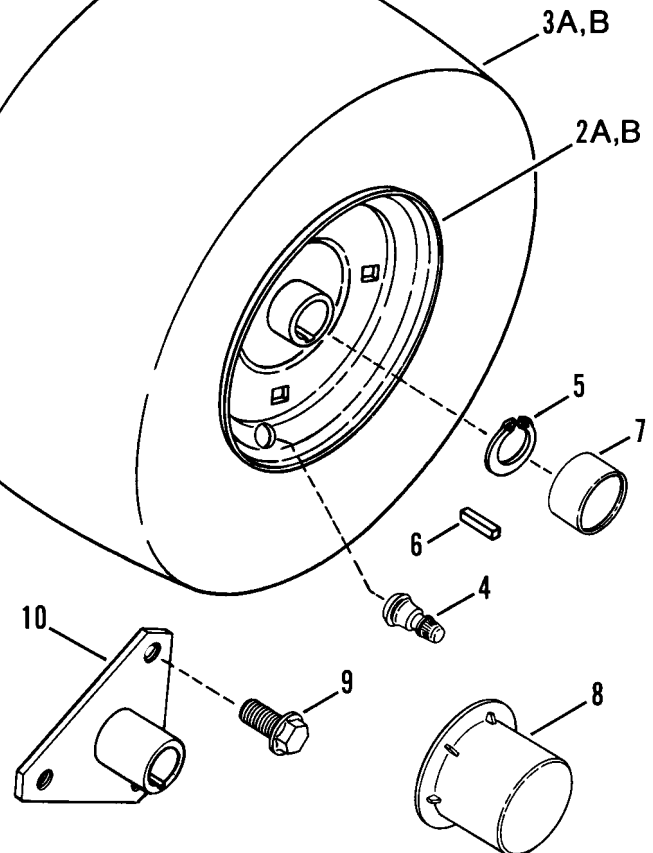


ITEM	PART NO.	DESCRIPTION
1	5-1372	ASSEMBLY, Front Tire & Rim (Includes items 2,3,4)
2	1-9718	RIM
3	1-4350	TIRE, 15x6.00x6
4	1-2234	VALVE, Air
5	1-4483	BEARING, Wheel (2)
6	3-2027	WASHER
7	1-1022	COVER, Dust
8	9-0364	COTTER-PIN
9	1-3876	FITTING, Lube

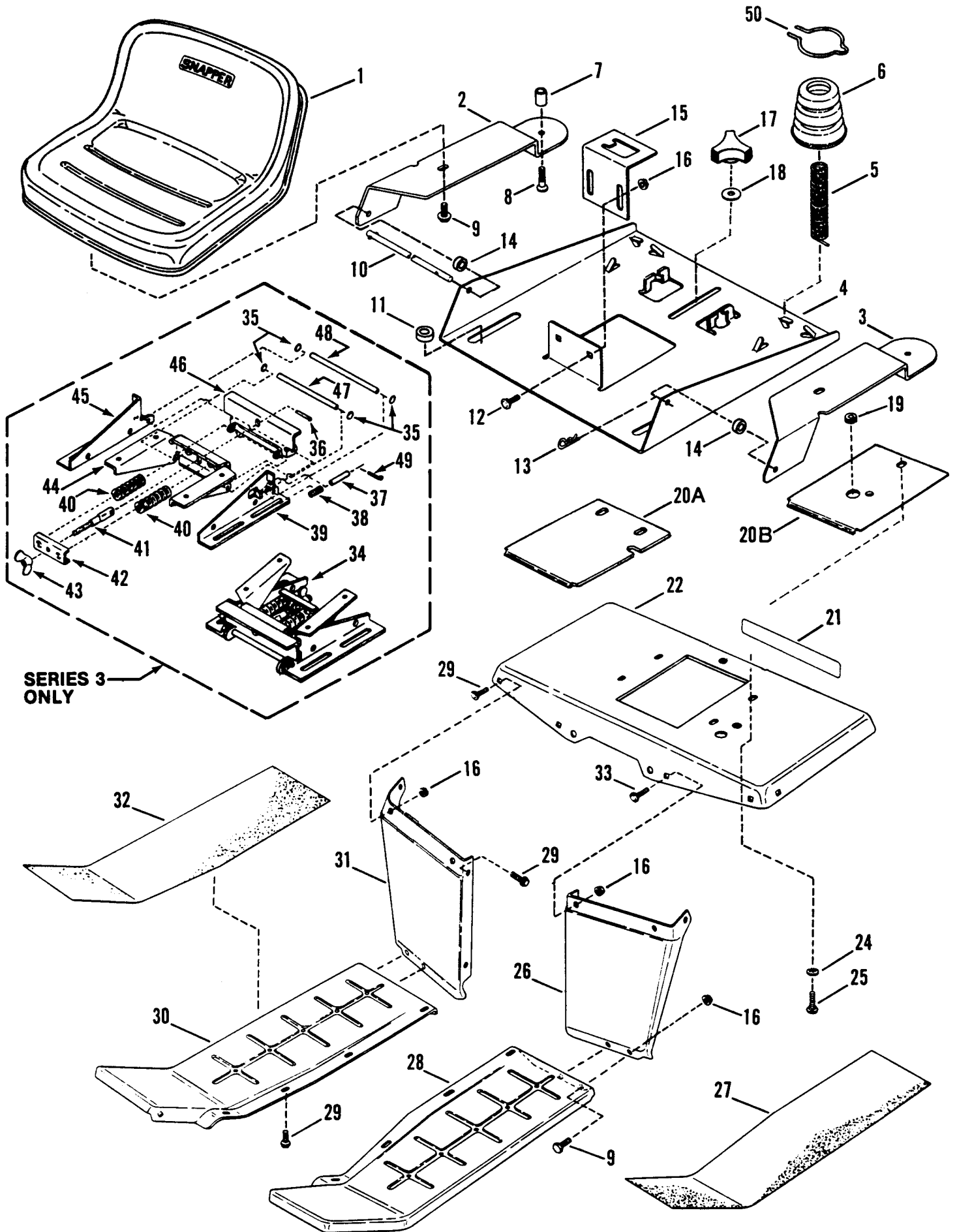
REAR WHEELS

① ASSEMBLY

ITEM	PART NO.	DESCRIPTION
1	5-1606	ASSEMBLY, Rear Tire & Rim (33" Cutting Deck) Includes items 2A, 3A, & 4)
—	5-9900	ASSEMBLY, Rear Tire & Rim (41" & 48" Cutting Decks) (Includes 2B, 3B & 4)
2A	1-9777	RIM, 10x5 (33" Cutting Deck)
2B	1-6489	RIM, 12x9 (41" & 48" Cutting Deck)
3A	1-5326	TIRE, 21x7.00x10 (33" Cutting Deck)
3B	1-9675	TIRE, 23x10.50x12 (41" & 48" Cutting Decks)
4	1-2234	VALVE, Air
5	1-5979	RING, Retaining
6	1-0210	KEY, 1/4x1/4x2" Square
7	1-1022	COVER, Dust (41" & 48" Cutting Decks)
8	1-5266	HUB-CAP (33" Cutting Deck)
9	9-0367	BOLT, 1/2-20x3/4" Lug (3) (33" Cutting Deck)
10	2-3344	HUB, Rear Wheel (33" Cutting Deck)



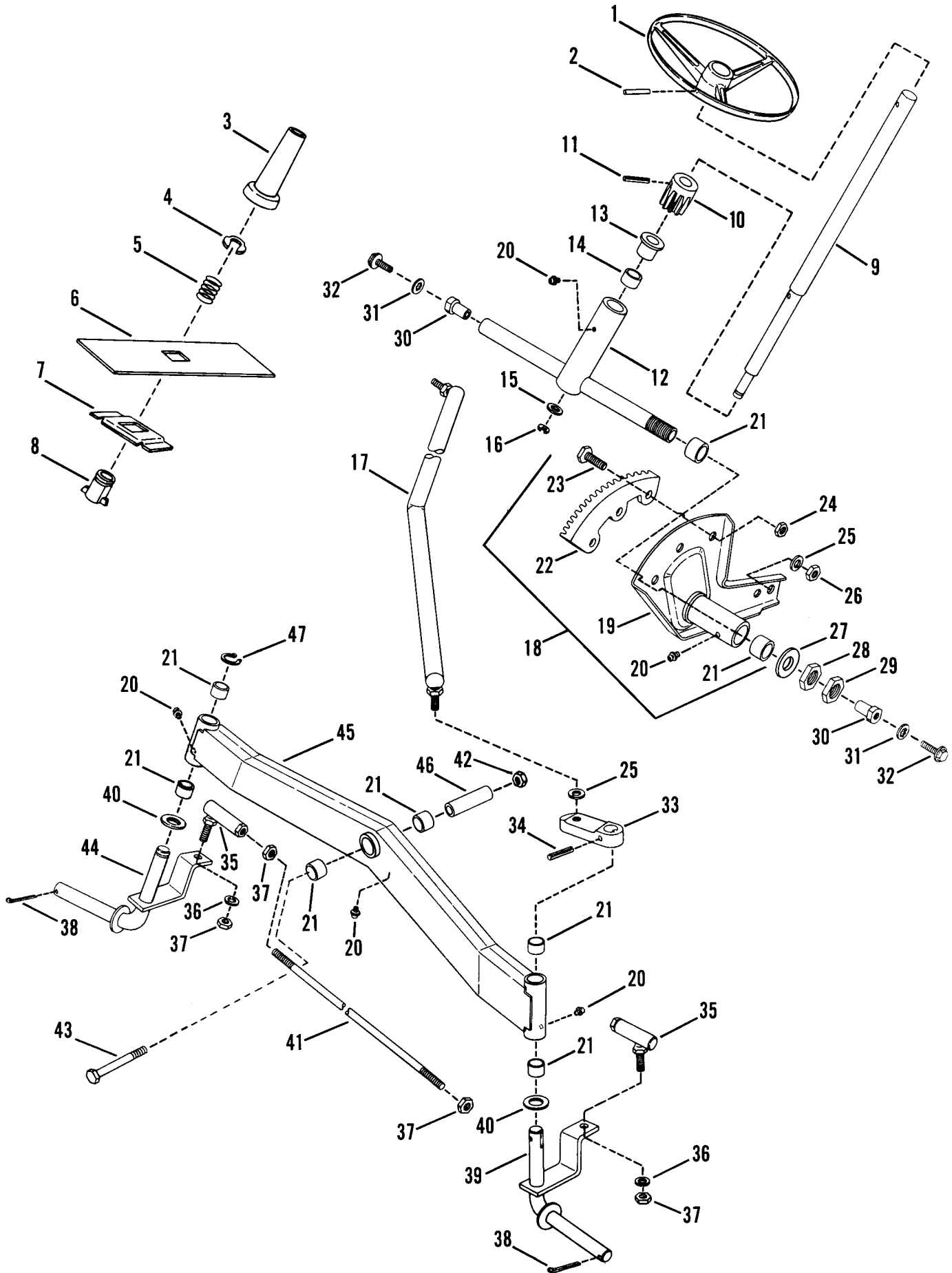
SEAT, STEP PANELS & REAR FENDER



SEAT, STEP PANELS & REAR FENDER

ITEM	PART NO.	DESCRIPTION
1	1-6031	SEAT, Operator's
2	3-8537	BRACKET, Seat Support, R.H.
3	3-8536	BRACKET, Seat Support, L.H.
4A	3-6253	SUPPORT, Seat (Series 3)
4B	3-3085	SUPPORT, Seat (Series 4)
5	2-3190	SPRING (2)
6	1-9109	CUSHION, Seat (2)
7	2-3478	SPACER (2)
8	7-7683	SCREW, 5/16-18 x 1" Flat Head. Hex Recess (2)
9	9-0721	BOLT, 5/16-18 x 1/2" Hex Flange Lock, Grade 5 (10)
10	1-9035	ROD, Seat Hinge
11	1-1968	SPACER (2)
12	9-0605	BOLT, 5/16-18 x 5/8" Short Neck Carriage, Grade 5 (2)
13	1-2431	PIN, 1/4" Hair
14	2-1861	SPACER (2)
15	3-8531	BRACKET, Switch
16	9-0585	NUT, 5/16-18 Hex Flange Lock, Grade 5 (12)
17	1-9231	KNOB, Seat Adjustment
18	1-1763	WASHER, 5/16 Flat
19	1-4856	GROMMET, Split
20A	3-8395	COVER, Access (Series 3)
20B	3-6363	COVER, Access (Series 4)
21	1-9279	DECAL, Snapper (Replaces 1-8593)
22	3-5127	FENDER, Rear 33", 41" 7 48" Decks (Series 3)
--	3-5215	FENDER, Rear 33" Deck (Series 4)
--	3-5213	FENDER, Rear 41" & 48" Decks (Series 4)
23	1-3848	WASHER, 5/16 Flat (8)
24	1-1791	RETAINER, Bolt (4)
25	9-0208	BOLT, 5/16-18 x 1" Square Neck Carriage (2)
26	3-9931	EXTENSION, Fender, Left Side
27	1-8603	TREAD, Left Side (Non-Skid)
28	3-5015	PANEL, Step, Left Side
29	9-0361	SCREW, 5/16-18 x 5/8" Self-Tap (16)
30	3-5016	PANEL, Step, Right Side
31	3-5128	EXTENSION, Fender, Right Side
32	1-8602	TREAD, Right Side (Non-Skid)
33	9-0731	BOLT, 5/16-18 x 1/2" Short Neck Carriage, Grade 5
34	5-9841	ASSEMBLY, Seat Suspension (Series 3 only) (Includes items 35 thru 49)
35	1-3946	PUSH-NUT, 3/8" (4)
36	9-0843	PIN, 3/16 x 1-3/4" Grooved
37	2-1946	PLUNGER
38	1-4846	SPRING, Compression
39	3-6118	MOUNTING ANGLE, R.H.
40	1-4845	SPRING, Seat (2)
41	1-4844	ROD, Adjusting
42	3-2399	RETAINER, Seat Spring
43	1-4850	WING-NUT, 1/2-13
44	4-9720	WELDMENT, Seat Hinge
45	3-6119	MOUNTING ANGLE, L.H.
46	4-7838	HINGE, Seat Weldment
47	2-1947	PIN, Seat Hinge, 7.39 Length
48	2-1948	PIN, Seat Hinge, 8.75 Length
49	9-0037	COTTER-PIN, 3/12 x 3/4"
50	1-9348	CLIP, Seat Cushion

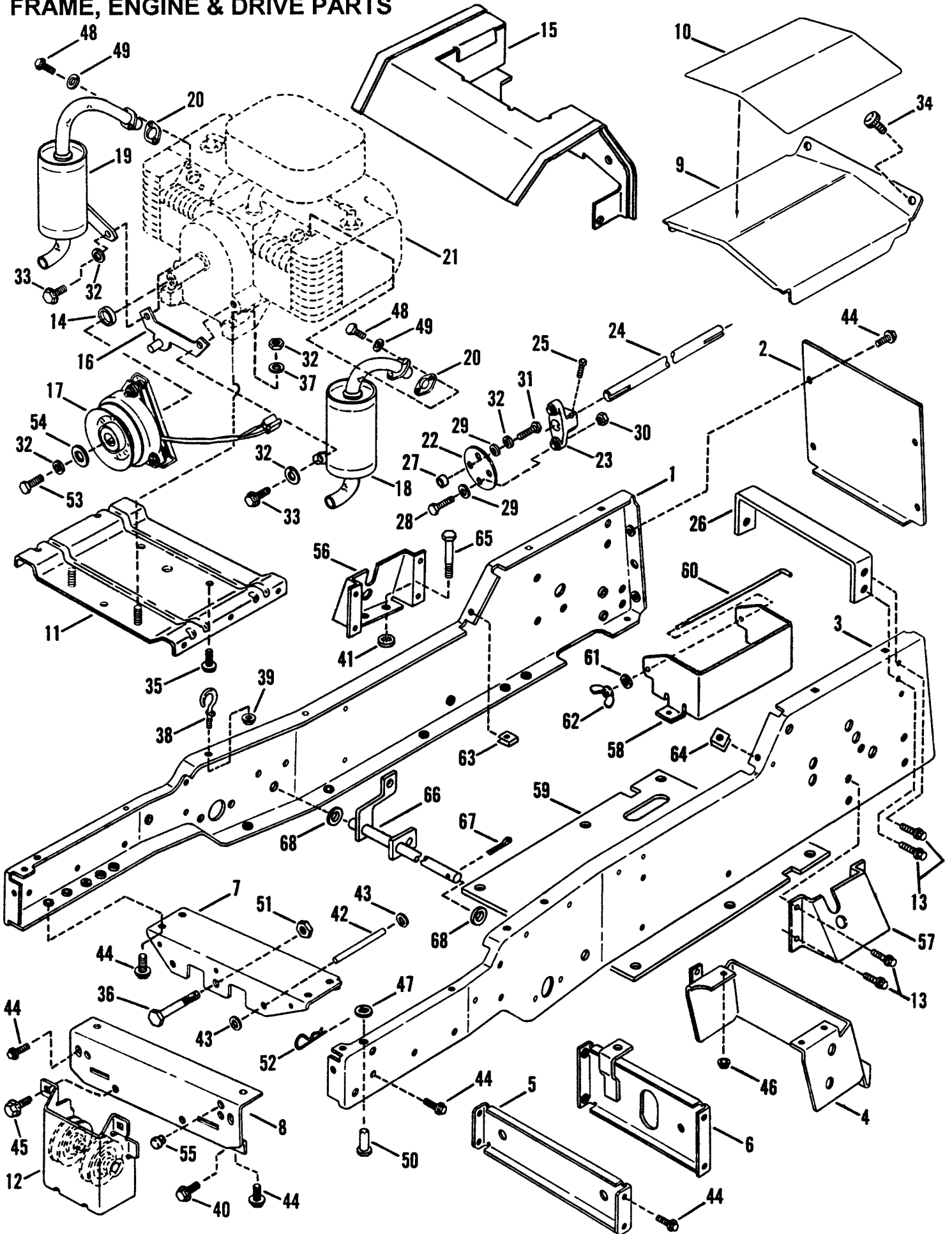
STEERING & FRONT AXLE PARTS



STEERING & FRONT AXLE PARTS

ITEM	PART NO.	DESCRIPTION
1	1-8589	STEERING WHEEL
2	1-4437	ROLL-PIN
3	1-8601	ACTUATOR, Steering Lock
4	1-4362	RING, Retaining
5	1-4402	SPRING, Actuator
6	1-4430	COVER, Slide
7	3-2272	RISER, Steering Lock
8	1-8583	BUSHING, Steering Lock
9	2-7646	SHAFT, Steering
10	1-8568	PINION, Steering
11	9-0841	ROLL-PIN
12	5-7363	ASSEMBLY, Bearing Support (Includes items 13 & 14)
13	1-4436	BEARING, Flange
14	1-4435	BUSHING
15	1-3866	WASHER, 3/8
16	9-0870	RING, Retaining
17	1-9724	DRAG-LINK
18	5-7332	ASSEMBLY, Steering Sector (Includes items 19 thru 24)
19	5-1457	ASSEMBLY, Sector (Includes 1 item 20 & 2 item 21)
20	1-3864	FITTING, Lube (5)(1 used with Sector Assm'y.)
21	1-2706	BEARING (8) (2 used with Sector Assm'y.)
22	1-9717	GEAR, Steering Sector
23	9-0072	SCREW, 1/4-20x5/8" Hex Head Cap (3)
24	9-0372	NUT, 1/4-20 Hex Center Lock (3)
25	9-0254	WASHER, 1/2 Split Lock (2)
26	9-0265	NUT, 1/2-20 Hex (1)
27	9-0863	WASHER, 3/4 SAE Flat
28	9-0281	NUT, 3/4-16 Hex
29	1-0027	NUT, 3/4-16 Hex Jam
30	1-4358	PIVOT (2)
31	9-0391	WASHER, 5/16 Internal Tooth Lock (2)
32	9-0793	SCREW, 5/16Cx3/4" Self-Tapping
33	1-8621	ARM, Steering
34	9-0842	ROLL-PIN
35	1-0745	BALL-JOINT (2)
36	9-0118	WASHER 3/8 Split Lock (2)
37	9-0155	NUT, 3/8-24 Hex (4)
38	9-0364	COTTER-PIN (2)
39	4-7813	KING-PIN, Left Side (33" Cutting Deck)
-	4-7924	KING-PIN, Left Side (41" & 48" Cutting Decks)
40	3-1036	WASHER, Thrust (2)
41	1-4403	TIE-ROD
42	9-0393	NUT, 1/2-20 Hex Lock
43	9-0826	SCREW, 1/2-20x4" Hex Head Cap
44	4-7812	KING-PIN, Right Side (33" Cutting Deck)
-	4-7923	KING-PIN, Right Side (41" & 48" Cutting Decks)
45	5-7366	ASSEMBLY, Front Axle (Includes six item 21, three item 20)
46	2-1882	JOURNAL, Axle
47	1-0746	RING, Retaining

FRAME, ENGINE & DRIVE PARTS

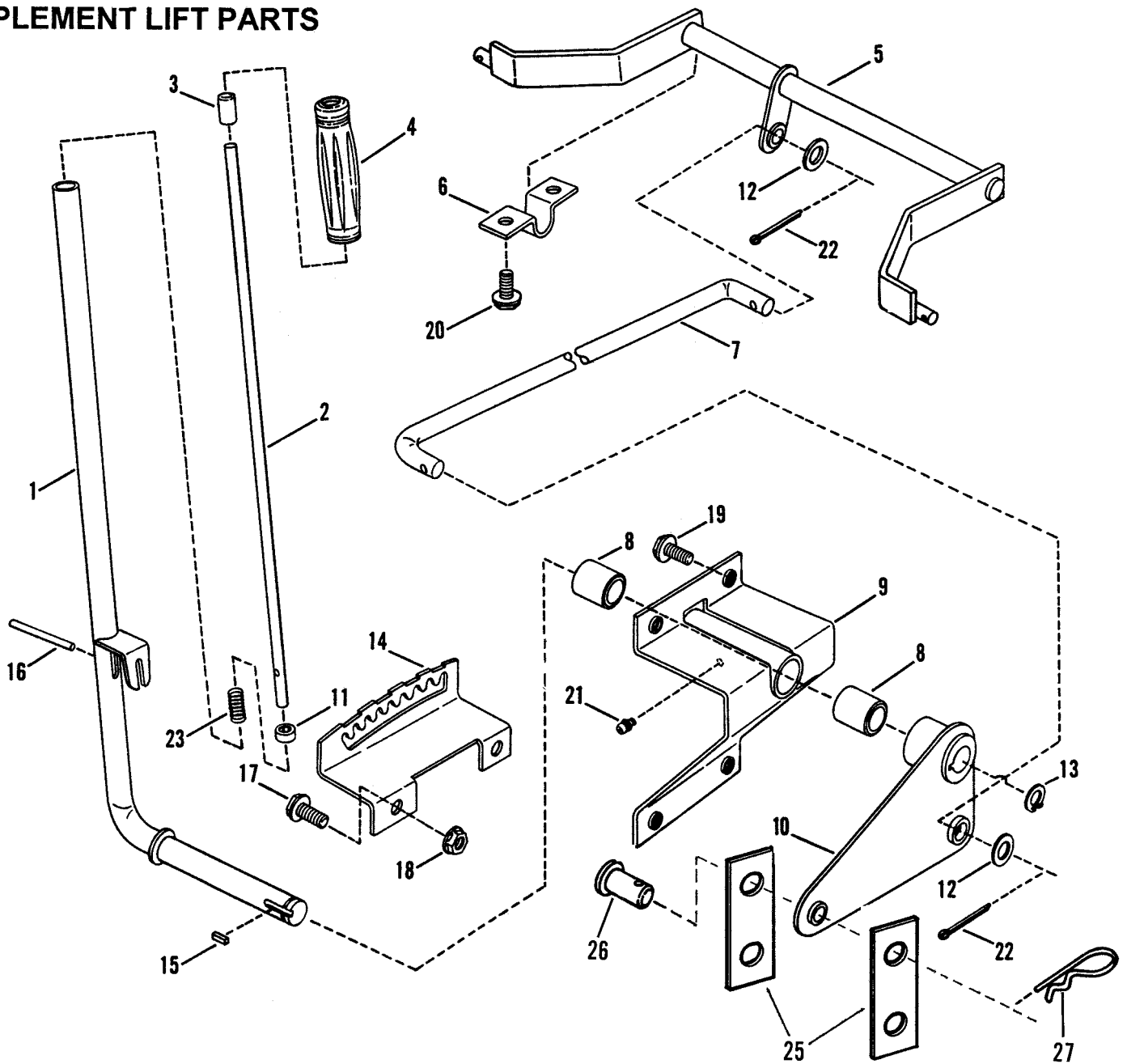


FRAME, ENGINE & DRIVE PARTS

ITEM	PART NO.	DESCRIPTION
1	5-7506	CHANNEL, Right Hand Frame
2	3-6070	PLATE, Rear Cover
3	5-7507	CHANNEL, Left Hand Frame
4	4-9994	DRAWBAR
5	3-8528	BRACE, Forward
6	4-7943	BRACE, Rear Cross
7	3-8051	CHANNEL, Front Axle Support
8	5-9726	PLATE, Front Frame
9	3-6239	COVER, Console (Replaces 3-6129)
10	1-7027	DECAL, Console Cover
11	5-9725	BASE, Engine
12	5-7362	ASSEMBLY, Mule Drive (See page 17 for breakdown)
13	9-0506	SCREW, 3/8-16 x 1/2" Hex Washer Self-Tap (4)
14	2-1960	SPACER, Clutch
15	5-9750	ASSEMBLY, Heat Shield
16	4-0559	BRACKET, Clutch Retainer
17	1-6343	KIT, Electric Clutch (Series 4)(See page 24 for breakdown)(Replaces 1-9982)
18	1-6117	MUFFLER, L.H. (Replaces 1-7012)
19	1-6118	MUFFLER, R.H. (Replaces 1-7011)
20	—	GASKET, Exhaust (2)
21	1-7946*	ENGINE, 18 HP Kohler Twin
22	1-4338	DISC, Flex Coupling (2)
23	1-8626	HUB, Flex Coupling (2)
24	4-7968	SHAFT, Drive (Replaces 2-7672)
25	9-0848	SET-SCREW, 5/16-18 x 1/2" Square Head (4)
26	3-8354	STRAP, Cross (3)
27	1-4803	SPACER, Flexible Coupling (2)
28	9-0138	SCREW, 3/8-16 x 1", Hex Head Cap, Grade 2 (6)
29	3-2070	WASHER, 3/8 Flat (8)
30	9-0546	NUT, 3/8-16 Hex Center Lock, Grade B or 5 (6)
31	9-0143	SCREW, 3/8-16 x 1-1/4" Hex Head Cap, Grade 5 (2)
32	9-0118	WASHER, 3/8 Split Lock (5)
33	9-0603	SCREW, 3/8-16 x 7/8", Hex Head Cap, Grade 5 (2)
34	2-3341	KNOB
35	9-1007	SCREW, 7/16-14 x 3/4" Self-Tapping (2)
36	9-0826	SCREW, 1/2-20 x 4" Hex Head Cap, Grade 5
37	9-0130	NUT, 3/8-16 Hex (2)
38	1-4438	HOOK, Hood Latch (2)
39	9-0585	NUT, 5/16-18 Hex Flange, Grade 5 (2)
40	9-0362	SCREW, 1/4-20 x 5/8" Hex Washer Self-Tap
41	1-3847	RETAINER, 3/8 Bolt
42	3-2298	STOP, Axle (2)
43	1-3946	RETAINER, 3/8 Shaft (4)
44	9-0361	SCREW, 5/16-18 x 5/8" Hex Washer Self-Tap (36)
45	9-0612	BOLT, 3/8-16 x 3/4" Hex Flange Lock 6)
46	9-0613	NUT, 3/8-16 Hex Flange Lock (4)
47	9-0919	PUSH-NUT, 1/2 (2)
48	9-0989	SCREW, 5/16-18 x 7/8" Socket Head Cap
49	9-0187	WASHER, 5/16 Split Lock
50	1-2392	PIN, 1/4 x 7/8" Clevis (2)
51	9-0393	NUT, 1/2-20 Hex Nyloc
52	1-2431	PIN, 1/4 Hair
53	9-0164	SCREW, 3/8-24 x 1-1/2" Hex Head Cap, Grade 5
54	9-0905	WASHER, .406 I.D. (Replaces 3-2011)
55	1-4804	RELIEF, Strain
56	3-6265	SUPPORT, R.H. axle
57	3-6234	SUPPORT, L.H. Axle
58	3-6238	BRACKET, Battery
59	3-6236	STIFFNER, Frame
60	1-5983	CLAMP, Battery
61	9-0055	WASHER, 1/4" SAE
62	9-0311	WING-NUT, 1/4-20
63	2-3295	U-NUT, 1/4-20 (2)
64	1-2691	CLIP (Series 4)
65	9-0859	SCREW, 3/8-24 x 3-3/4" HHC (Series 4)
66	4-7982	SHAFT & LEVER (Series 4)
67	9-0037	COTTER-PIN, 3/32 x 3/4" (Series 4)
68	9-0122	WASHER, 3/8 SAE (4) (Series 4)

***Purchase engine parts, other than those shown here from Briggs and Stratton Service outlet.**

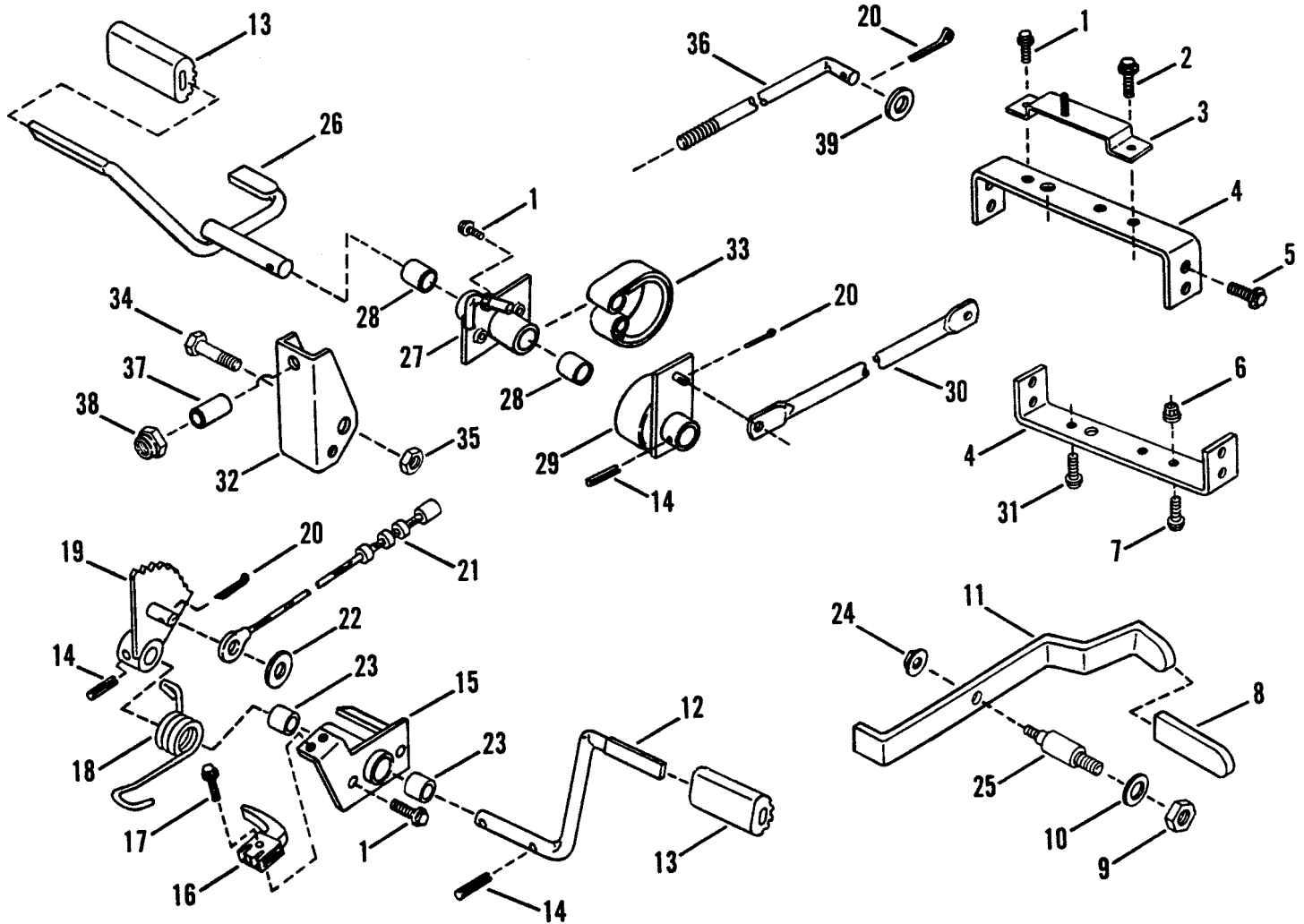
IMPLEMENT LIFT PARTS



ITEM	PART NO.	DESCRIPTION
1	4-7868	ARM, Implement Lift Lever
2	3-2435	ROD, Lift Lever
3	1-4361	CAP, Lift Release
4	1-3948	GRIP, Handle
5	4-9773	ARM, Rear Lift
6	3-2239	BRACKET, Hanger (2)
7	3-2266	LIFT-ROD
8	1-8289	BEARING, Sleeve (2)
9	5-1523	PIVOT ASSY, Lift Lever (Incl. Two item 8 & one item 21)
10	4-7806	LEVER-ARM
11	1-5019	PLUG, Rod
12	9-0250	WASHER, 1/2 SAE (2)
13	1-5020	RING, 7/8" Ext. Retaining
14	3-8063	QUADRANT, Lift Lever
15	1-3250	KEY, 1/4 x 1/4 Square

ITEM	PART NO.	DESCRIPTION
16	9-0881	PIN, 3/16 x 2" Groove
17	9-0612	BOLT, 3/8-16 x 3/4" Hex Flange Lock (2)
18	9-0613	NUT, 3/8-16 Hex Flange Lock
19	9-0361	SCREW, 5/16-18 x 5/8" Hex Washer Face Self-Tap (4)
20	9-0506	SCREW, 3/8-16 x 1/2" Hex Washer Face Self-Tap (4)
21	1-3864	FITTING, Lube
22	9-0041	PIN, 1/8 x 1" Cotter
23	1-4432	SPRING, Lift Handle
24	6-0931	KIT, Deck Lowering (Includes items 25 thru 27)
25	3-2814	LINK, Deck Hanger (2)
26	1-0736	PIN, 3/8 x 1-1/16" Clevis
27	1-5067	PIN, 1.6 Hair

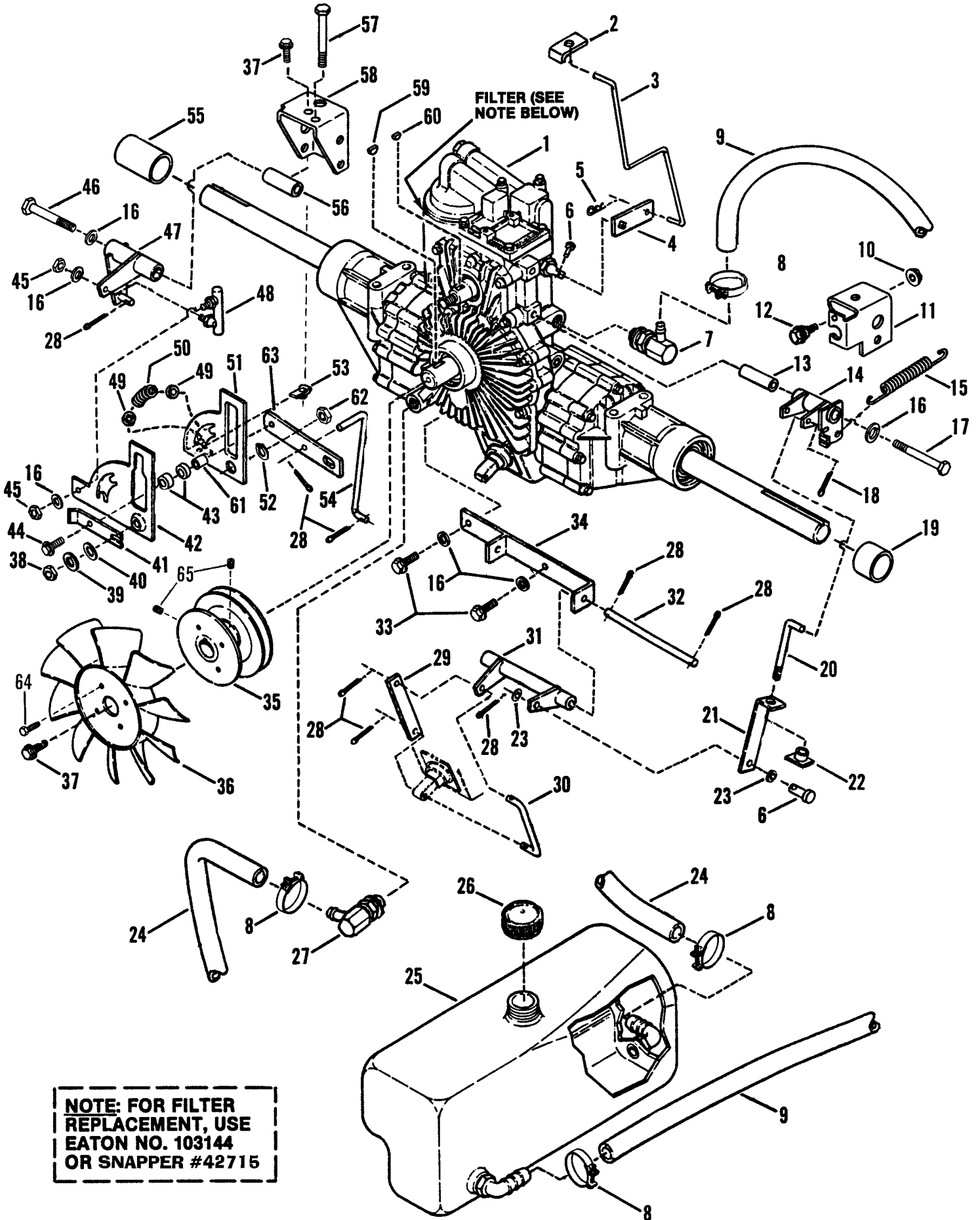
NEUTRAL BRAKE CONTROLS



ITEM	PART NO.	DESCRIPTION
1	9-0361	SCREW, 5/16-18 x 5/8" Hex Head Self-Tap (5)
2	9-0661	SCREW, 5/16-18 x 1" Hex Flange Lock
3	3-2433	BRACKET ASSEMBLY (Series 3)
-	5-1909	BRACKET ASSEMBLY (Series 4)
4	3-8354	STRAP, Cross (2)
5	9-0506	SCREW, 3/8-16 x 1/2" Hex Washer Self-Tapping
6	9-0613	NUT, 3/8-16 Hex Flange
7	9-0701	SCREW, 3/8-16 x 1-3/4" Hex Flange Lock
8	1-4755	SLEEVE, Parking Brake
9	9-0130	NUT, 3/8-16 Hex
10	9-0390	WASHER, 3/8 Int. Tooth Lock
11	3-8142	LEVER, Parking Brake
12	3-6086	PEDAL, Neutral Brake
13	1-2661	PAD, Pedal (2)
14	1-3878	ROLL PIN, 3/16 x 1-1/4" (4)
15	5-1483	BRACKET, Pedal Pivot (Includes Item 23)
16	1-8524	SWITCH, Neutral Brake Interlock
17	9-0849	SCREW, #10-24 x 1" Self-Tap
18	1-4752	SPRING, Neutral Brake
19	4-0514	ARM, Neutral Brake

ITEM	PART NO.	DESCRIPTION
20	9-0037	PIN, 3/32 x 3/4" Cotter (2)
21	1-5975	CABLE, Neutral Brake
22	9-0122	WASHER, 3/8" Flat
23	1-4435	BEARING, Sleeve (2)
24	9-0477	NUT, 1/4-20 Hex
25	1-4754	STUD, Parking Brake
26	5-9920	WELDMENT, Control Pedal
27	5-1975	ASY, Control Panel Pivot (Incl. Item 28)(Replaces 5-1719)
28	1-5140	BEARING, Dx (2)
29	4-0612	WELDMENT, Pedal Arm (Replaces 4-0558)
30	3-8351	ROD, Speed Control
31	9-0582	BOLT, 3/8-16 x 1" Hex Fl. Lock
32	3-8657	LEVER, Friction Ctrl (Series 4)
33	5-7307	ASY, Brake Band (Series 4)
34	9-0112	SCREW, 1/4-28 x 2" Hex Head Cap, Grade 5 (Series 4)
35	9-0303	NUT, 1/4-28 Hex Top Lock (Series 4)
36	1-9291	BRAKE ROD (Series 4)
37	2-1128	SPACER (Series 4)
38	9-0717	NUT, 5/16-18 Hex Nyloc (Series 4)
39	1-3848	WASHER, .33 Flat (Series 4)

HYDROSTATIC TRANSAXLE ASSEMBLY

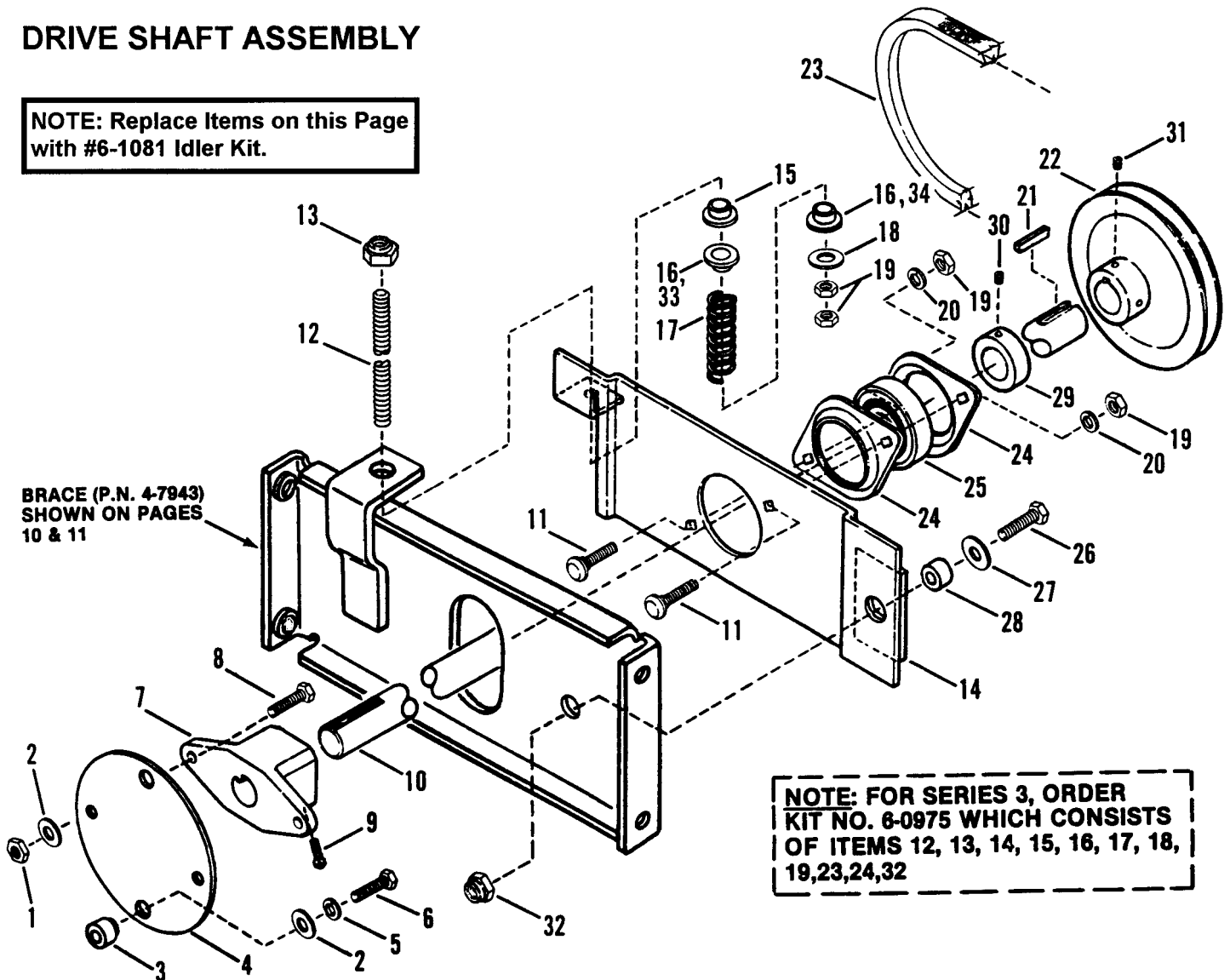


HYDROSTATIC TRANSAXLE ASSEMBLY

ITEM	PART NO.	DESCRIPTION	ITEM	PART NO.	DESCRIPTION
1	2-2244	TRANSMISSION, Hydro (Requires 6-1203: KIT, Transmission Update, see item 66)	34	4-7921	BRACKET, Parking Brake Pivot
2	3-2764	LATCH, Roll Release	35	1-8979	PULLEY, Input (Includes two Item 65)
3	1-9234	ROD, Roll Release (Series 4)	36	1-8978	FAN
—	2-3035	ROD, Roll Release (Series 3)	37	9-0721	BOLT, 5/16-18 x 1/2" Hex Flange Lock, Gr. 5 (Repl. 9-0595)
4	3-2666	ARM, Roll Release	38	9-0130	NUT, 3/8-16 Hex
5	1-5067	PIN, Hair (Series 4)	39	9-0118	WASHER, 3/8 Split Lock
—	9-0489	PIN, Hair (Series 3)	40	9-0122	WASHER, 3/8 Flat
6	9-0984	PIN, 1/4 x 5/8" Clevis (2)	41	3-2639	BRACKET, Retainer
7	1-5977	FITTING, 90°	42	4-7925	CAM, Neutral Return
8	1-6130	CLAMP, 3/16" (4) (Series 4)	43	2-2046	ROLLER (2)
—	2-3489	CLAMP, 15/16" (4) (Series 3)	44	9-0643	BOLT, 1/4-20 x 7/8" Hex Head, Gr.5
9	1-9029	HOSE, Supply	45	9-0223	NUT, 5/16-24 Hex (2)
10	9-0585	NUT, 5/16-18 Hex Flange Lock (Series 4)	46	9-1058	SCREW, 5/16-18 x 3-3/4" Hex Head Cap (replaces 9-0912)
11	3-2881	BRACKET, Neutral Return (Series 4)	47	4-0631	BELLCRANK, Speed Control (Replaces 4-7926)
12	1-5761	SCREW, 5/16-18 x 3/4" Shoulder (Series 4)	48	1-5956	LINK, Shift
13	2-2088	SPACER, Short (Series 4)	49	1-6279	WASHER, Special (Series 4)(2)
—	2-2047	SPACER, Short (Series 3)	50	1-5958	SPRING
14	4-0632	PIVOT, Neutral Return (Replaces 4-0560)	51	3-8345	GUIDE, Roller
15	1-5609	SPRING	52	1-2709	RING, 1" Retaining
16	9-0187	WASHER, 5/16 Split Lock (6)	53	1-5974	U-NUT, M6
17	9-0219	BOLT, 5/16-18 x 2-1/2" hex Head Grade 2 (Replaces 9-0553)	54	1-5955	LINK, Neutral Return
18	2-3590	PIN, 1/4x7/8" Self-Lock Cotter	55	2-2058	SPACER, Wheel, R.H. (Series 4)
19	2-2049	SPACER, Wheel, L.H. (Series 4)	56	2-2087	SPACER, Long (Replaces 2-2055)
20	1-5973	LINK, Parking Brake Adjusting	57	1-5953	BOLT, M6 Threads. x 4" Adjusting
21	3-2649	BRACKET, Parking Brake	58	3-2880	BRKT, Neutral Adj. (Replaces 3-2637)
22	1-4303	TEENUT, 1/4-20	59	1-5894	KEY, #605 Woodruff
23	9-0055	WASHER, 1/4 Flat (2)	60	1-4264	KEY, #404 Woodruff
24	1-9028	HOSE, Return	61	2-7541	SPACER
25	5-7552	ASS'Y, Oil Tank (Includes Item 26)	62	9-0372	NUT, 1/4-20 Hex Ctr. Lock, Gr. B or 5
26	2-3345	CAP, Oil Tank (Vented)	63	3-2882	ARM, Neutral Return (Repl. 4-0557)
27	2-3605	FITTING, Hose 70° (Repl. 1-5977)	64	9-0362	SCREW, 1/4-20 x 5/8" Self-Tap (4)
28	9-0037	PIN, 3/32 x 3/4" Cotter (7)	65	9-1802	SCREW, 5/16-18 x 5/8" Set
29	3-2731	RETAINER, Brake Link	66	6-1203	KIT, Hydro Transmission Update (Components shown below)
30	1-5954	LINK, Parking Brake	—	1-3847	RETAINER, 3/8 Bolt (4)
31	4-7927	PIVOT, Parking Brake	—	1-6609	PULLEY, Input
32	3-2657	PIN, Parking Brake Pivot	—	2-4503	SPACER, Fan (17mm)
33	9-0206	SCREW, 5/16-18 x 3/4" Hex Head Cap, Grade 2 (2)	—	2-4512	SPACER, 5/16 x 1/2" (2)
			—	3-3631	CONNECTOR, Brake
			—	3-3633	SPACER, Transmission (4)
			—	3-3634	AXLE SUPPORT, L.H.
			—	3-3635	AXLE SUPPORT, R.H.
			—	9-0627	BOLT, 5/16-18 x 1-1/4" Hex, Grade 5 (2)

DRIVE SHAFT ASSEMBLY

NOTE: Replace Items on this Page with #6-1081 Idler Kit.

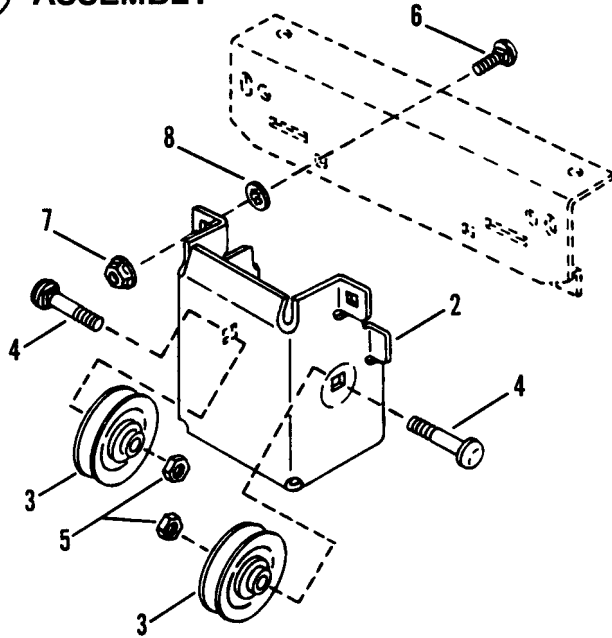


ITEM	PART NO.	DESCRIPTION
1	9-0546	NUT, 3/8-16 Hex Center Lock, Grade B or 5 (2)
2	3-2070	WASHER, 13/32" Flat (2)
3	1-4803	SPACER, Flex Coupling (2)
4	1-4338	DISC, Flex Coupling
5	9-0118	WASHER, 3/8 Split Lock (2)
6	9-0143	SCREW, 3/8-16 x 1-1/4" H.H.C.
7	1-8626	HUB, Flex Coupling
8	9-0138	SCREW, 3/8-16 x 1" Hex Head Cap (2)
9	9-0848	SCREW, 5/16-18 x 1/2" Square Head, Cup Point Set
10	4-7968	SHAFT, Drive (Replaces 2-7672)
11	9-0316	BOLT, 5/16-18 x 3/4" Carriage (2)
12	1-6488	ROD, 5/16-18 x 8" Threaded
13	9-0851	NUT, 5/16-18 Hex Nyloc
14	4-0645	MOUNT, Bearing (Repl. 3-8344)
15	1-3321	BUSHING, Nylon (Series 4)
16	1-6490	WASHER, Flange (Series 4)(2)
17	2-3799	SPRING, Belt Tension (Replaces 1-5965)

ITEM	PART NO.	DESCRIPTION
18	1-1763	WASHER, 5/16" Flat (Series 4)
19	9-0196	NUT, 5/16-18 Hex, Gr. B or 5 (4)
20	9-0187	WASHER, 5/16 Split Lock (2)
21	1-3431	KEY, Pulley, 3/16 x 3/16 x 1"
22	2-3372	PULLEY, Drive, 4-1/4" O.D.
23	2-3900	BELT, Traction Drive (Replaces 1-5967)
24	1-6240	FLANGETTE (2)(Replaces 1-3931)
25	1-5971	BEARING
26	9-0238	SCREW, 5/16-24 x 1" Hex Head Cap (Series 4)
27	1-3848	WASHER, Flat, 1-1/4" O.D. (Series 4)
28	2-1740	SPACER, 5/8" O.D. (Series 4)
29	1-4625	COLLAR, Lock (Includes item 30)
30	9-0776	SCREW, 1/4-20 x 1/4" Socket Hd.
31	9-0201	SCREW, 5/16-18 x 5/16" Socket Head (2)
32	9-1061	NUT, 5/16-24 Hex Nyloc
33	2-2350	SPRING BUSHING, Upper
34	2-2351	SPRING BUSHING, Lower

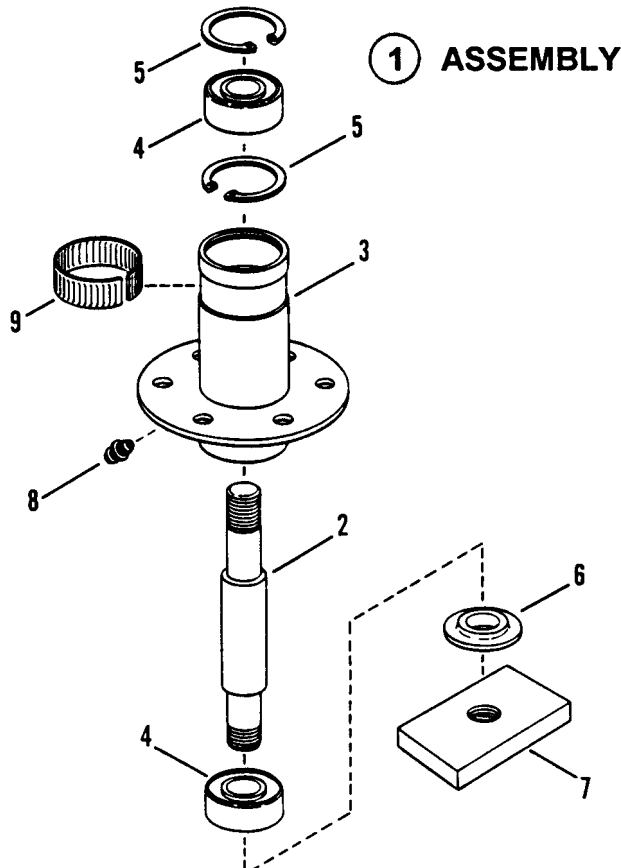
MULE DRIVE ASSEMBLY

① ASSEMBLY



ITEM	PART NO.	DESCRIPTION
1	5-7362	ASSEMBLY, Mule Drive (Includes items 2 thru 8)
2	4-7860	BRACKET, Mule Drive
3	1-8651	PULLEY, Belt Idler (2)
4	9-0791	BOLT, 3/8-16 x 1-1/2" Short Neck Carriage, Grade 2 (2)
5	7-6979	NUT, 3/8-16 Hex (2) (Replaces 9-0499)
6	9-0850	BOLT, 3/8-16 x 3/4" Carriage, Grade 2
7	9-0613	NUT, 3/8-16 Hex Flange
8	1-3847	RETAINER, 3/8" Bolt

SPINDLE ASSEMBLY (41" & 48" OUTBOARD)(48" CENTER)

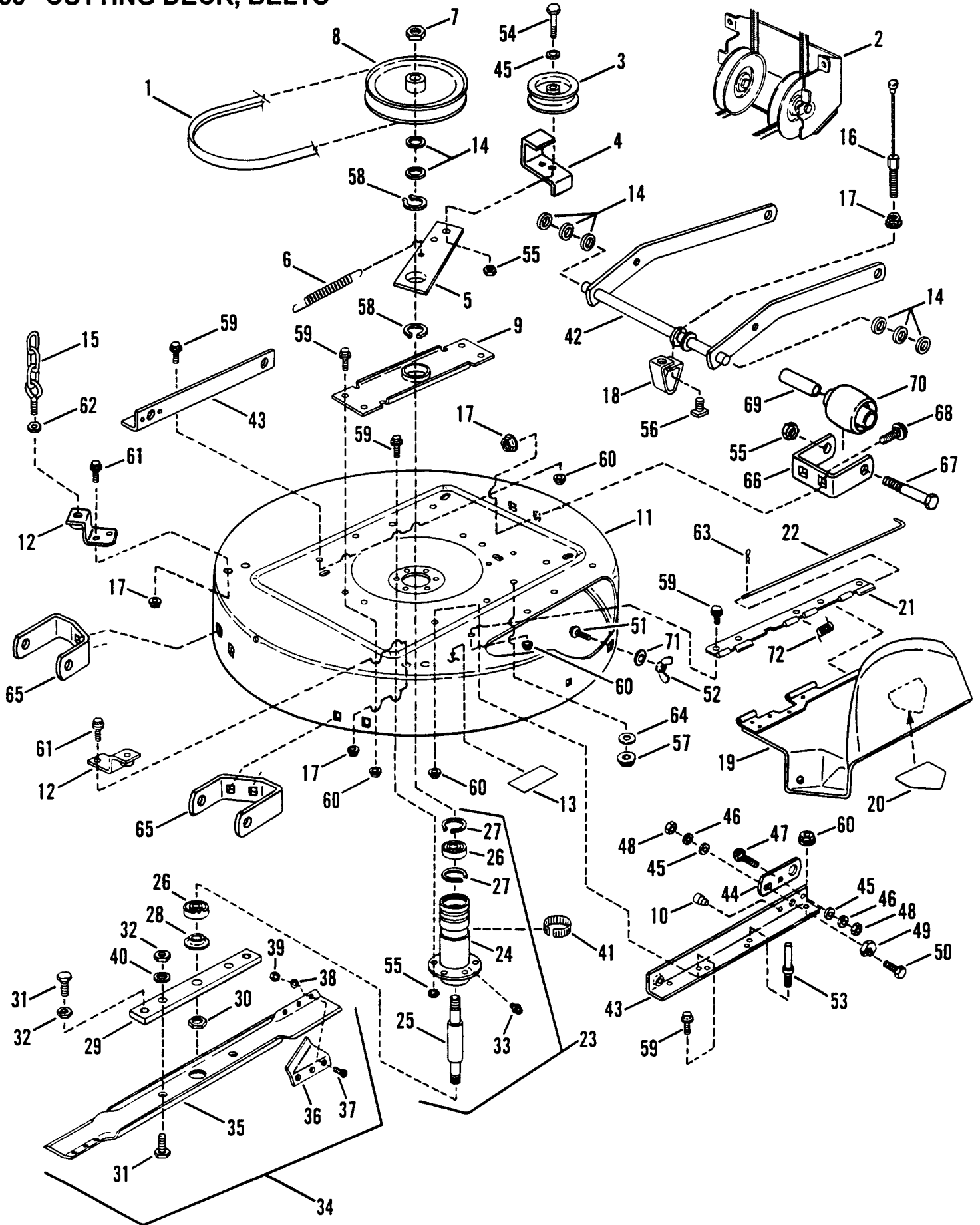


① ASSEMBLY

ITEM	PART NO.	DESCRIPTION
1	5-1473	ASSEMBLY, Spindle (Includes Items 2A, 3A & 4 thru 8)(41" & 48" Outboard)(Replaces 5-9622)
--	5-1528	ASSEMBLY, Spindle (Includes Items 2B, 3B & 4 thru 8) (48" center) (Replaces 5-7343)
2A	2-7632	SPINDLE (41" & 48" Outboard)
2B	2-7641	SPINDLE (48" Center)
3A	5-1472	HOUSING, Spindle (41" & 48" Outboard) (Replaces 4-7825)
3B	5-1527	HOUSING, Spindle (48" Center) (Replaces 4-7839)
4	1-3313	BEARING, Spindle
5	1-2491	RING, Retaining (2)
6	1-4407	WASHER, Spindle
7	3-2294	HOLDER, Blade
8	1-0817	FITTING, Lube
9	*1-2670	RING, Tolerance

*ORDER SEPARATELY

33" CUTTING DECK, BELTS



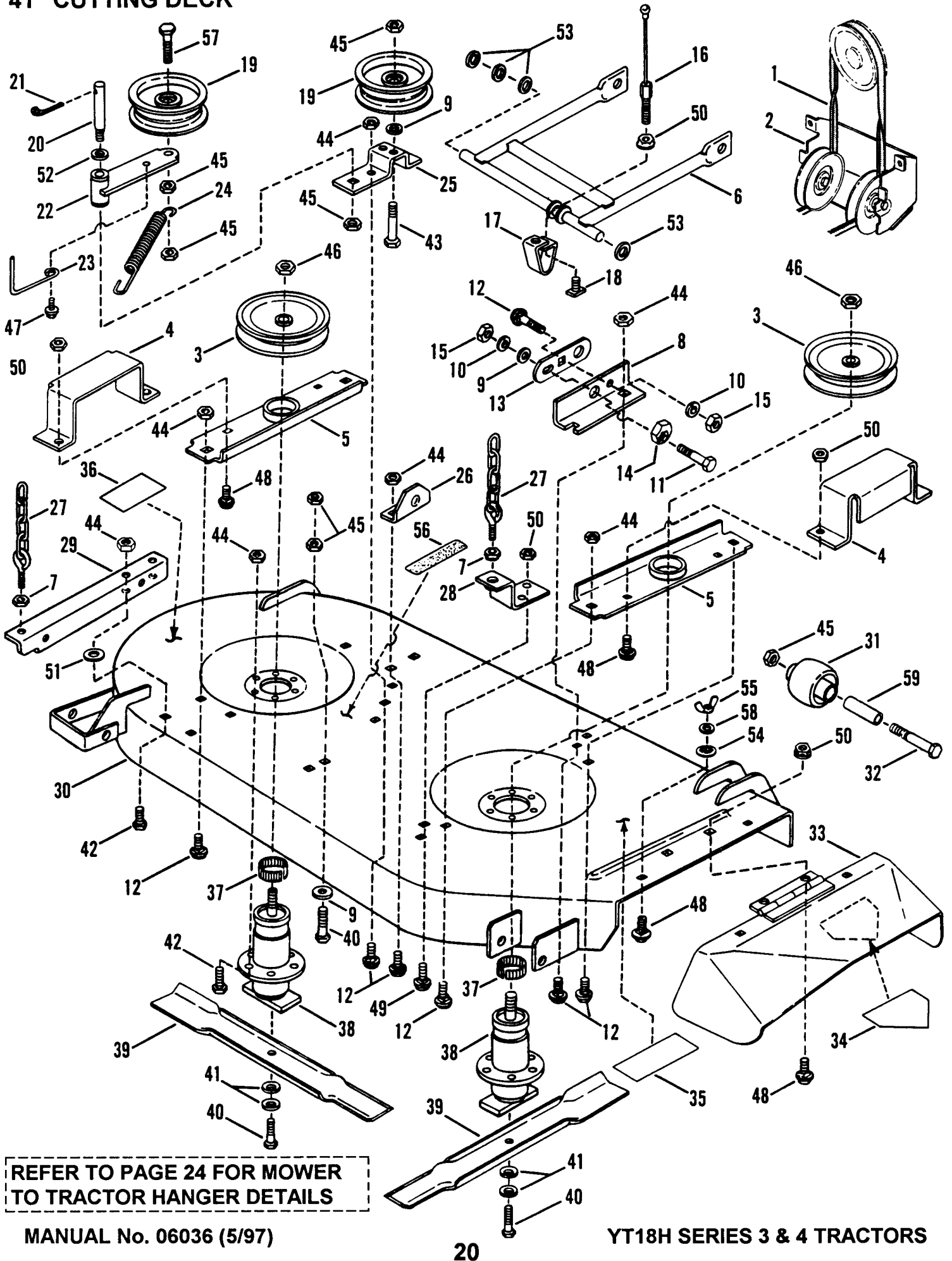
33" CUTTING DECK, BELTS

ITEM	PART NO.	DESCRIPTION	ITEM	PART NO.	DESCRIPTION
1	1-4799	BELT, 33" Mower Drive (A101)	39	9-0223*	NUT, 5/16-24 Hex (6)
2	5-7362	ASSEMBLY, Mule Drive (See Page 30 for parts breakdown)	40	9-0509	WASHER, 1/2" Internal Tooth Lock (2)
3	1-8574	PULLEY, Idler (Flat)(4.12O.D.)	41	1-2670	RING, Tolerance
4	3-2341	GUIDE, Belt	42	4-7870	WELDMENT, Front Lift Arm
5	4-7841	ARM, Idler	43	3-8194	RAIL- 33"
6	1-4405	SPRING, Belt Tension	44	3-2432	LINK- ADJUSTMENT
7	1-0027	NUT, 3/4-16 Hex Jam	45	9-0122	WASHER, 3/8 Flat (3)
8	1-8581	PULLEY, 8" O.D.	46	9-0118	WASHER, 3/8 Split Lock
9	3-8018	BRACE, Spindle	47	9-0850	3/8-16 BOLT, x 3/4" Carriage
10	1-4756	BUMPER BUTTON	48	9-0130	NUT, 3/8-16 Hex (2)
11	5-1917	DECK, 33"Cutter(Repl. 3-5068)	49	1-5012	RING, Adjustment
12	5-1533	ASY, Bracket Rear Lift (2)	50	9-0563	SCREW, 3/8-16 x 1" HHC (2)
13	1-4416	DECAL, Caution, (Deflector/Adapter)	51	9-0001	BOLT, 5/16-18 x 3/4" Short Neck Carriage, Grade 5 (Replaces 9-0017)
14	1-0935	WASHER, Shim (2)	52	9-0492	WING-NUT, 5/16-18
15	5-1525	ASSEMBLY, 3/8 Bolt-Chain (2)	53	1-4583	STUD, Deck Stop
16	1-5629	CABLE, Front Lift	54	9-0164	SCREW, 3/8-24 x 1-1/2" Hex Head Cap, Grade 2
17	9-0585	NUT, 5/16 18 Hex Fl. Lock (5)	55	9-0289	NUT, 3/8-24 Hex Center Lock
18	3-8043	BRACKET, Front Lift Hanger	56	9-0388	T-NUT, 5/16-18
19	5-1978	DEFLECTOR (Series 4) (Repl. 5-1456)(Incl. item 20)	57	9-0155	NUT, 3/8-24 Hex
20	1-3010	DECAL, Danger (Cut Finger) (Replaces 1-3871)	58	1-0740	RING, Retaining (2)
21	3-9586	HINGE, Side Chute	59	9-0612	BOLT, 3/8-16 x 3/4" Hex Flange Lock (17)
22	3-1914	PIN, Hinge (Replaces 3-2323)	60	9-0613	NUT, 3/8-16 Hex Flange Lock (17)
23	5-9619	ASSEMBLY, Spindle (Includes Items 24-33)	61	9-0721	BOLT, 5/16-18 x 1/2" Hex Flange Lock, Grade 5 (4)
24	5-1529	HOUSING, Spindle (Includes Item 33)	62	9-0665	NUT, 3/8-16 Hex Jam(2)
25	2-7631	SPINDLE, 33" Mower Deck	63	1-5067	PIN, Hair Cotter
26	1-3313	BEARING, Spindle (2)	64	9-0390	WASHER, 3/8 Int. Tooth Lock
27	1-2491	RING, Retaining	65	3-8450	BRACKET, Gage Wheel (Rear) (2) (Series 4)
28	1-4407	WASHER, Spindle	66	3-8451	BRACKET, Front Gage Wheel (Series 4)
29	3-7751	HOLDER, Blade	67	9-0859	SCREW, 3/8-24 x 3-3/4" Hex Head Cap Gr. 5 (3)(Series 4)
30	9-0356	NUT, 5/8-18 Hex Ctr. Lock	68	9-0004	BOLT, 5/16-18 x 1/2" Square Neck Carriage, Grade 5 (Series 4) (6)
31	9-0392	SCREW, 1/2-20 x 1" Hex Head Cap, Grade 5 (4)	69	1-5272	SPACER (Series 4) (3)
32	9-0559	NUT, 1/2-20 Hex Jam (4)	70	1-9190	WHEEL, Gage (Series 4) (3)
33	1-0817	FITTING, Lube (2)	71	9-0188	WASHER, 5/16 Flat (Series 4)
34	5-7482	ASY, Blade & Air Lift (Includes items 35 thru 39)	72	1-2303	SPRING, Hinge (Series 4)
35	1-9523	BLADE, 33" Mower Deck			
36	3-7723*	AIR-LIFT (2)			
37	9-0228*	SCREW, 5/16-24 Machine (6)			
38	9-0391*	WASHER, 5/16 Internal Tooth Lock (6)			

NOTE:
 For Complete Cutter Unit,
 order the following number:
**33" Replacement Deck-
 Complete Unit 6-0828**

*AIR LIFT KIT No. 6-0480 Includes 2 ea. No. 3-7723, 6 ea. No. 9-0228, 6 ea. No. 9-0391, 6 ea. No. 9-0223.

41" CUTTING DECK



REFER TO PAGE 24 FOR MOWER
TO TRACTOR HANGER DETAILS

MANUAL No. 06036 (5/97)

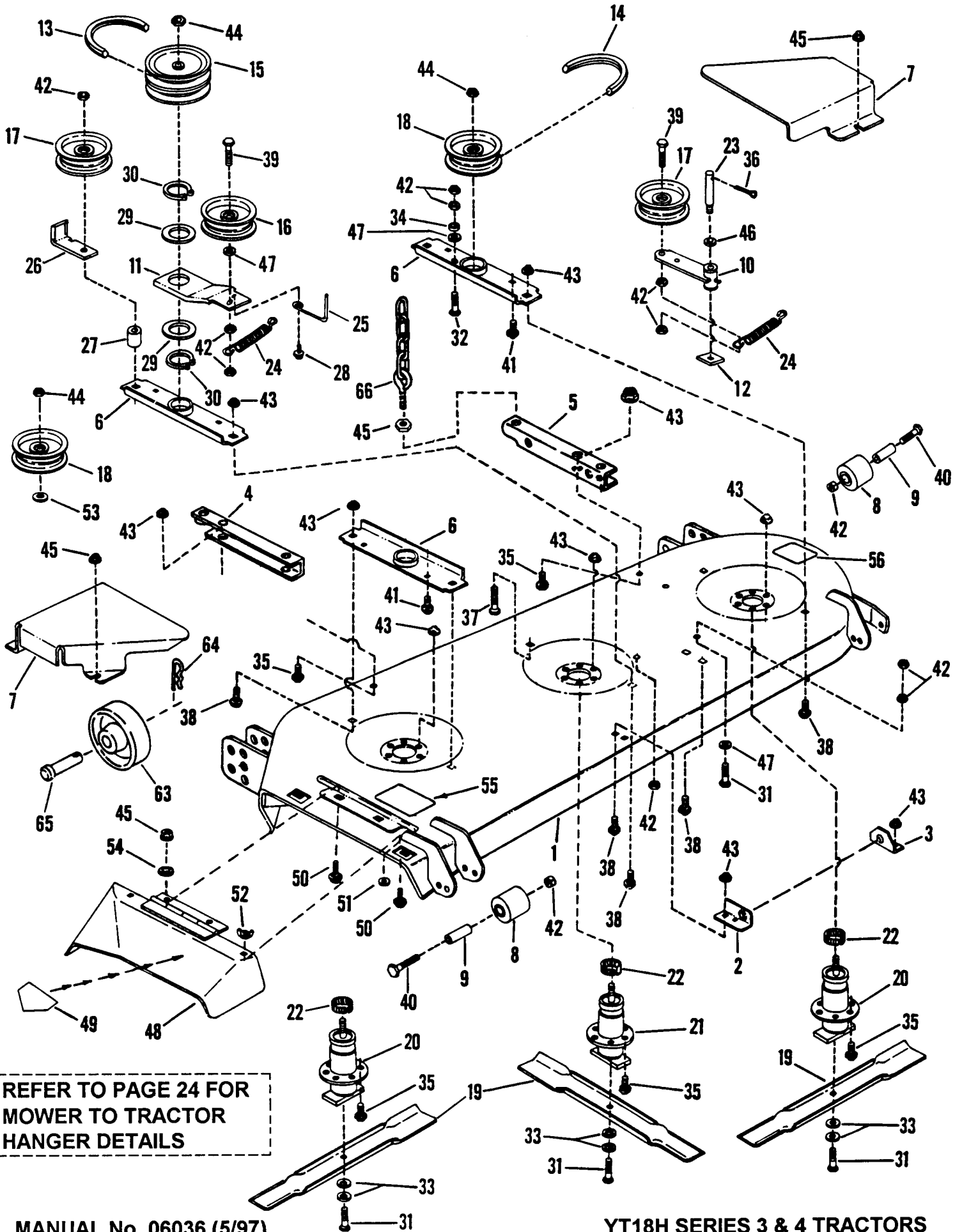
YT18H SERIES 3 & 4 TRACTORS

41" CUTTING DECK

ITEM	PART NO.	DESCRIPTION	ITEM	PART NO.	DESCRIPTION
1	1-4800	BELT, 41" Mower (A137)	34	1-3010	DECAL, Danger
2	5-7362	ASSEMBLY, Mule Drive (See pg. 17 for parts breakdown)	35	1-4852	DECAL, Caution (Deflector)
3	1-4397	PULLEY, 5-3/4" O.D. (2)	36	1-4853	DECAL, Caution (Rot. Blades)
4	3-8080	GUARD, Pulley (2)	37	1-2670	RING, Tolerance, 3/4" (2)
5	3-8078	BRACE, Spindle (2)	38	5-1473	ASY, Spindle (refer to pg. 28)
6	4-9724	WELDMENT, Front Lift Arm	39	1-9795	BLADE, 21" Cutter (2)
7	9-0665	JAM-NUT, 3/8-16 Hex (2)	40	9-0824	SCREW, 3/8-24 x 1-1/4" Hex Head Cap, Grade 5 (3)
8	3-8181	BRACKET, Right Front	41	1-2063	CONE-WASHER (4)
9	9-0122	WASHER, 3/8 Flat (3)	42	9-0612	BOLT, 3/8-16 x 3/4" HFL (9)
10	9-0118	WASHER, 3/8 Split Lock	43	9-0483	SCREW, 3/8-24 x 1-3/4" Hex Head cap, Grade 5 (2)
11	9-0563	SCREW, 3/8-16 x 1" Hex Head	44	9-0613	NUT, 3/8-16 Hex Fl. Lock (18)
12	9-0850	BOLT, 3/8-16 x 3/4" Square Neck Carriage, Grade 5	45	9-0289	NUT, 3/8-24 Hex Ctr. Lk. (12)
13	3-2432	LINK, Adjustment	46	9-0820	NUT, 3/4-16 Jam Lock (2)
14	1-5012	RING, Adjustment	47	9-0741	SCREW, 1/4-20 x 5/8" HWST
15	9-0130	NUT, 3/8-16 Hex (2)	48	9-0799	BOLT, 5/16-18 x 5/8" Square Neck Carriage, Grade 5 (8)
16	1-5629	CABLE, Front Lift	49	9-0721	BOLT, 5/16-18 x 1/2" Hex Flange Lock, Grade 5 (2)
17	3-8043	BRACKET, Fr. Lift Arm Hanger	50	9-0585	NUT, 5/16-18 Hex Flange Lock, Grade 5 (11)
18	9-0388	T-NUT, 5/16-18	51	2-0984	WASHER, 3/8 Flat
19	1-8585	PULLEY, 4.1 O.D. (2)	52	9-0183	WASHER, 5/8 Flat
20	1-4408	STUD, Idler (3/8-24)	53	1-0935	WASHER, Spacer (4)
21	9-0041	COTTER-PIN, 1/8 x 1"	54	1-1791	RETAINER, 5/16 Bolt (2)
22	5-1399	ASY, Idler Arm (Incl. two 1-4409 bushings & 1-3864)	55	9-0375	WING-NUT, 5/16-18 (2)
23	1-4410	GUIDE, Belt	56	1-2929	PAD
24	1-4513	SPRING, Idler Arm	57	9-0167	SCREW, 3/8-24 x 2" Hex Head Cap, Grade 5
25	3-8079	BRACKET, Idler	58	9-0187	WASHER, 5/16 Split Lock (2)
26	3-2297	BRACKET, Front Left Hanger	59	1-5272	SPACER (4)
27	5-1525	ASY, 3/8 Bolt/Chain (2)			
28	5-1532	BRKT, Rear Rt. Supp. (1985)			
29	5-7385	BRKT, Rear Left Supp. (1985)			
30	4-9960	MOWER DECK, 41"			
31	1-9190	WHEEL, Gage (4)			
32	9-0859	SCREW, 3/8-24 x 3-3/4" Hex Head Cap, Grade 5 (4)			
33	5-1401	DEFLECTOR, (Side Chute) (Includes Decal, item 34)			

NOTE:
 For Complete Cutter Unit,
 order following number:
 41" Replacement Deck-
 Complete Unit 6-0830

48" CUTTING DECK, BELTS, PULLEYS



REFER TO PAGE 24 FOR
MOWER TO TRACTOR
HANGER DETAILS

ATTACHMENT

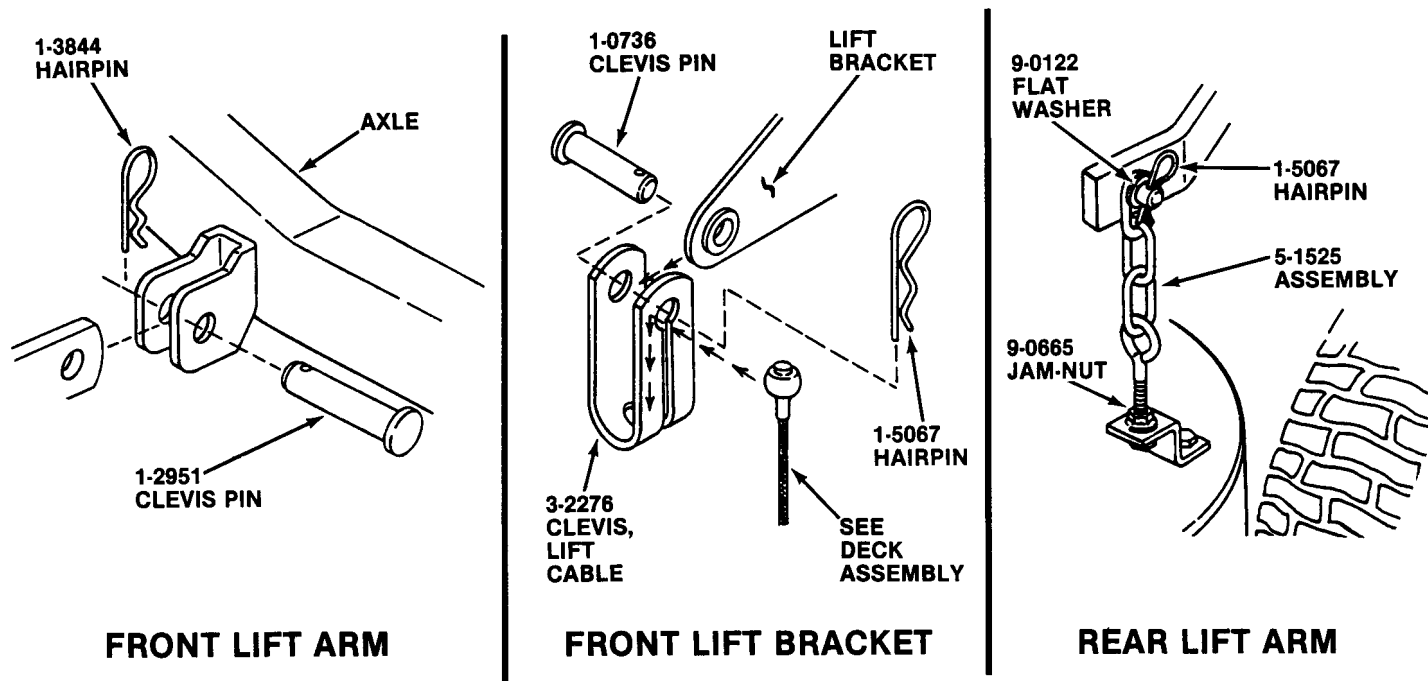
48" CUTTING DECK, BELTS, PULLEYS

ITEM	PART NO.	DESCRIPTION	ITEM	PART NO.	DESCRIPTION
1	4-9961	DECK STRUCTURE- 48"	36	9-0041	PIN, 1/8 x 1" Cotter
2	4-9724	WELDMENT, Front Lift Arm	37	9-0169	SCREW, 3/8-24 x 2-1/2" Hex Head Cap
3	3-2297	BRACKET, Front Hanger	38	9-0136	BOLT, 3/8-16 x 3/4" Square Neck Carriage, Grade 2 (9)
4	5-7384	SUPPORT, Rear Right (1985)	39	9-0167	SCREW, 3/8-24 x 2" Hex Head Cap, Grade 5
5	5-7383	SUPPORT, Rear Left (1985)	40	9-0859	SCREW, 3/8-24 x 3-3/4" Hex Head Cap, Grade 5 (2)
6	3-8078	BRACE, Spindle (3)	41	9-0799	BOLT, 5/16-18 x 5/8" Square Neck Carriage, Grade 5 (4)
7	3-5054	GUARD, Pulley (2)	42	9-0289	NUT, 3/8-24 Hex Ctr. Lock (8)
8	1-4661	ROLLER (2)	43	9-0613	NUT, 3/8-16 Hex Fl. Lock (22)
9	1-4660	SPACER (2)	44	9-0820	NUT, 3/4-16 Hex Jam (3)
10	5-1475	ASSEMBLY, Idler Arm	45	9-0585	NUT, 5/16-18 Hex Fl. Lock (4)
11	3-8156	IDLER ARM, Center	46	9-0183	WASHER, 5/8 SAE
12	1-4805	WASHER- Square	47	9-0122	WASHER, 3/8 SAE (2)
13	1-4801	V-BELT, Drive- A92	48	5-1401	ASSEMBLY, Side Chute (Includes item 49)
14	2-4497	BELT, Deck- AA105	49	1-3010	DECAL, Danger
15	1-4545	PULLEY, Double (4-3/4")	50	9-0118	WASHER, 3/8 Split Lock (2)
16	1-8585	PULLEY, Flat Idler (4.8 O.D.)	51	9-0187	WASHER, 5/16 Split Lock (2)
17	1-8651	PULLEY, V-Idler (4-1/2" O.D.)	52	9-0375	WING-NUT, 5/16-18 (2)
18	1-4544	PULLEY, 4-3/4" O.D. (2)	53	1-0935	WASHER, 3/4 I.D. (4)
19	1-9733	BLADE, 16.5 (3)	54	1-1791	RETAINER, 5/16 Bolt (2)
20	5-1473	ASSEMBLY, Spindle (2) (Replaces 5-9622) (See page 17 for breakdown)	55	1-4852	DECAL, Caution
21	5-1528	ASSEMBLY, Spindle (Replaces 5-7343) (See page 17 for breakdown)	56	1-4853	DECAL, Caution
22	1-2670	TOLERANCE RING, 3/4" (3)	57	9-0130	NUT, 3/8-16 Hex (2)
23	1-4408	IDLER STUD	58	9-0850	BOLT, 3/8-16 x 3/4" Short Square Neck Carr., Gr. 2
24	1-4513	SPRING (2)	59	9-0563	SCREW, 3/8-16 x 1" Hex Head Cap, Grade 5
25	1-4410	BELT GUIDE	60	1-5012	RING, Adjustment
26	3-2368	BELT GUIDE	61	3-8181	BRACKET, Right Front
27	2-1945	SPACER	62	3-2432	LINK, Adjustment
28	9-0788	BOLT, 5/16-18 x 3/4" Short Square Neck, Grade 5	63	1-8445	WHEEL, 6.00" Gage (2)
29	1-4795	WASHER, Plastic (2)	64	1-3844	PIN, Hair Cotter (2)
30	1-0740	RING, 2" Ext. Retaining (2)	65	1-4857	PIN, 1/2 x 3" Clevis (2)
31	9-0824	SCREW, 3/8-24 x 1-1/4" Hex Head Cap, Grade 5 (4)	66	5-1525	ASSEMBLY, Bolt/Chain (2)
32	9-0164	SCREW, 3/8-24 x 1-1/2" Hex Head Cap, Grade 2	67	1-5629	CABLE, Front Lift (8.32")
33	1-2063	WASHER, Cone (6)	68	3-8043	BRACKET, Front Lift Hanger
34	1-4527	SPACER (2)	69	9-0388	T-NUT, 5/16-18
35	9-0612	BOLT, 3/8-16 x 3/4" Hex Flange Lock (13)	70	9-0665	NUT, 3/8-16 Hex Jam (2)

NOTE:
 For Complete Cutter Unit,
 order following number:
 48" Replacement Deck-
 Complete Unit 6-0832

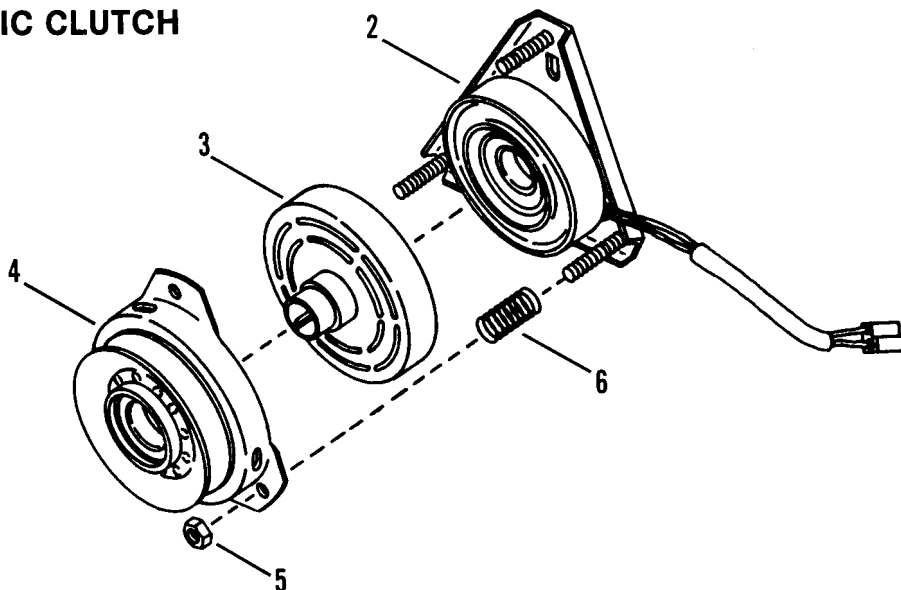
DECK HANGER DETAIL

HARDWARE BAG 6-0591 (33", 41", 48" DECK)



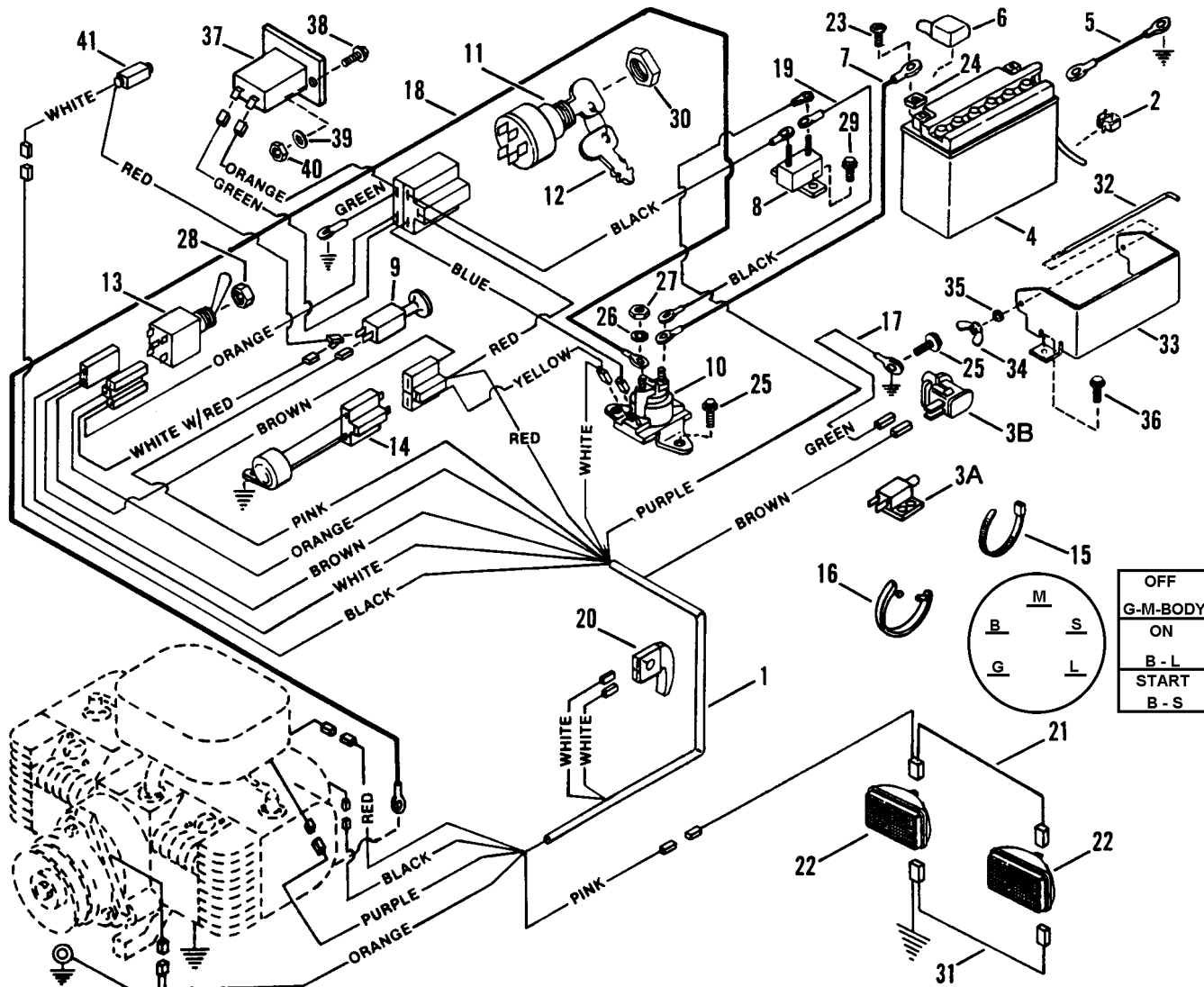
ELECTRIC CLUTCH

① KIT, ELECTRIC CLUTCH



ITEM	PART NO.	DESCRIPTION
1	5-3679	KIT, Electric Clutch (Includes items 2 thru 6)(Warner Electric Model 5210-56)(Replaces Kit No. 1-9982) (12 Volt, 4 AMP, 3.2 OHM)
2	1-4947	FIELD COIL (Includes Ball Bearing)
3	2-3890	ROTOR (Replaces 1-4948)
4	2-3891	ASSM'Y., Arm Pulley (Includes Ball Bearing)(Replaces 1-4949)
5	9-0854	NUT, 3/8-24 Hex Lock (3)
6	1-4950	SPRING, Coil (3)

ELECTRICAL SYSTEM COMPONENTS



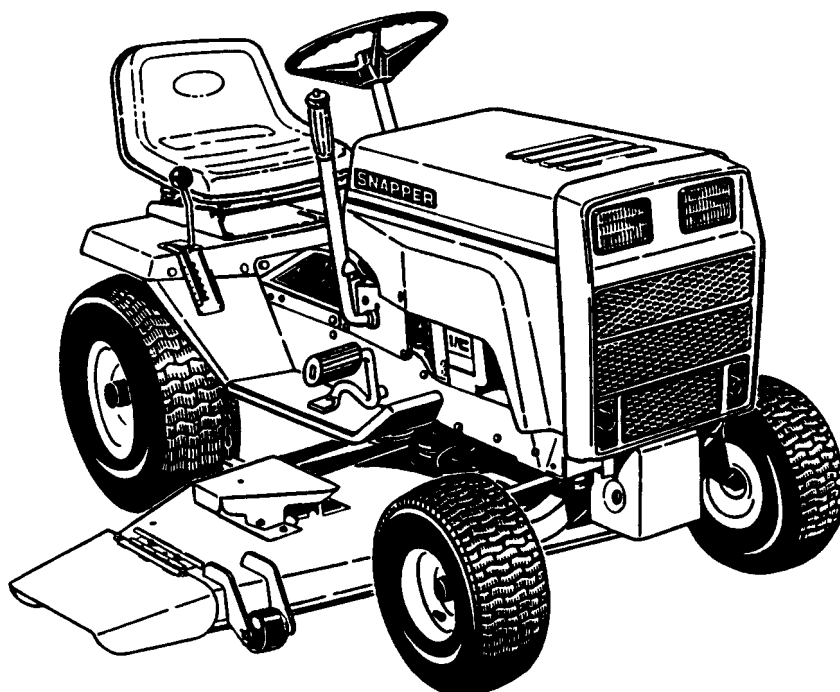
ITEM	PART NO.	DESCRIPTION
1	1-7016	HARNESS, Wiring
2	1-5063	CLIP, Battery Hose
3A	1-4847	SWITCH, Seat Interlock (Series 3, Normally Open)
3B	1-5707	SWITCH, Seat Interlock (Series 4, Normally Closed)
4	6-0974	BATTERY KIT, 12V.
5	1-1859	CABLE, Negative (Black)
6	2-3342	COVER, Positive Terminal
7	2-3149	CABLE, Solenoid/Battery (11")
8	1-3941	CIRCUIT-BREAKER
9	1-8623	SWITCH, Headlamp
10	1-8604	SOLENOID
11	1-8562	KEYSWITCH (Incl. item 12)
12	1-1138	KEY (Set of 2)
13	1-9545	SWITCH, PTO
14	1-8999	MODULE, Interlock
15	1-4451	TIE, Wire
16	1-2080	TIE, Cable
17	1-5155	WIRE, Seat Switch to Ground
18	1-4906	CABLE, Solenoid/Starter (36")
19	1-4478	WIRE, Breaker to Solenoid
20	1-8524	SWITCH, Clutch Interlock

ITEM	PART NO.	DESCRIPTION
21	1-5486	HARNESS, Headlamp
22	1-8829	HEAD-LAMP (2)
23	4-3977	SCREW, M5x10 P.H. Torx (2)
24	9-0932	NUT, M5x.08, Battery Term.(2)
25	9-0362	SCREW, 1/4-20 x 5/8" S.T.(2)
26	9-0053	WASHER, 1/4 Int. Tooth Lock
27	9-0063	NUT, Special 1/4-20 Hex (2)
28	1-2686	NUT, Special 1/2-27 Hex
29	9-0307	SCREW, #10-24 x 1/2" S.T. (2)
30	1-2685	NUT, 5/8-32 Hex
31	1-5487	HARNESS, Ground
32	1-5983	CLAMP, Battery
33	3-6238	BRACKET, Battery
34	9-0311	WING-NUT, 1/4-20
35	9-0055	WASHER, 1/4 Flat
36	9-0362	SCREW, 1/4-20 x 5/8" S.T.
37	1-5277	HOURMETER
38	9-0925	SCREW, #6-32 x 3/4" Machine (2)
39	9-0926	WASHER, #6 Internal Tooth Lock (2)
40	9-0927	NUT, #6-32 Hex (2)
41	6-0982	OIL LIGHT
42	1-6245	RETAINER, Oil Light

Parts Manual for

SNAPPER[®]

YT18H SERIES 3 & 4 HYDRO-DRIVE



YARD TRACTORS & MOWER ATTACHMENTS

SNAPPER[®] McDonough, GA., 30253 U.S.A.