

SNAPPER[®]

(SERIES 2) 32", 36", & 48" COMMERCIAL MOWERS

MODEL NUMBERS:

W321252KW

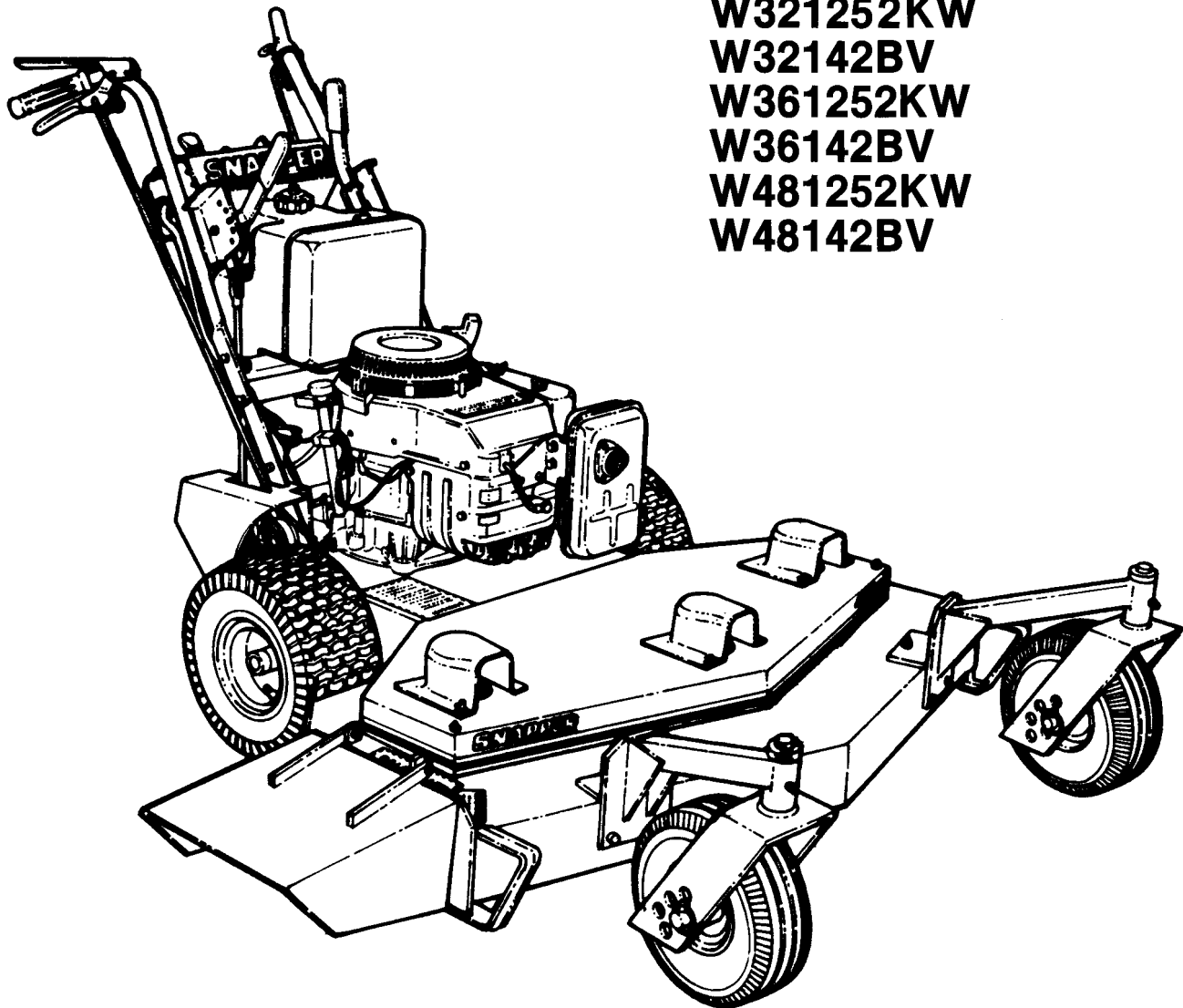
W32142BV

W361252KW

W36142BV

W481252KW

W48142BV

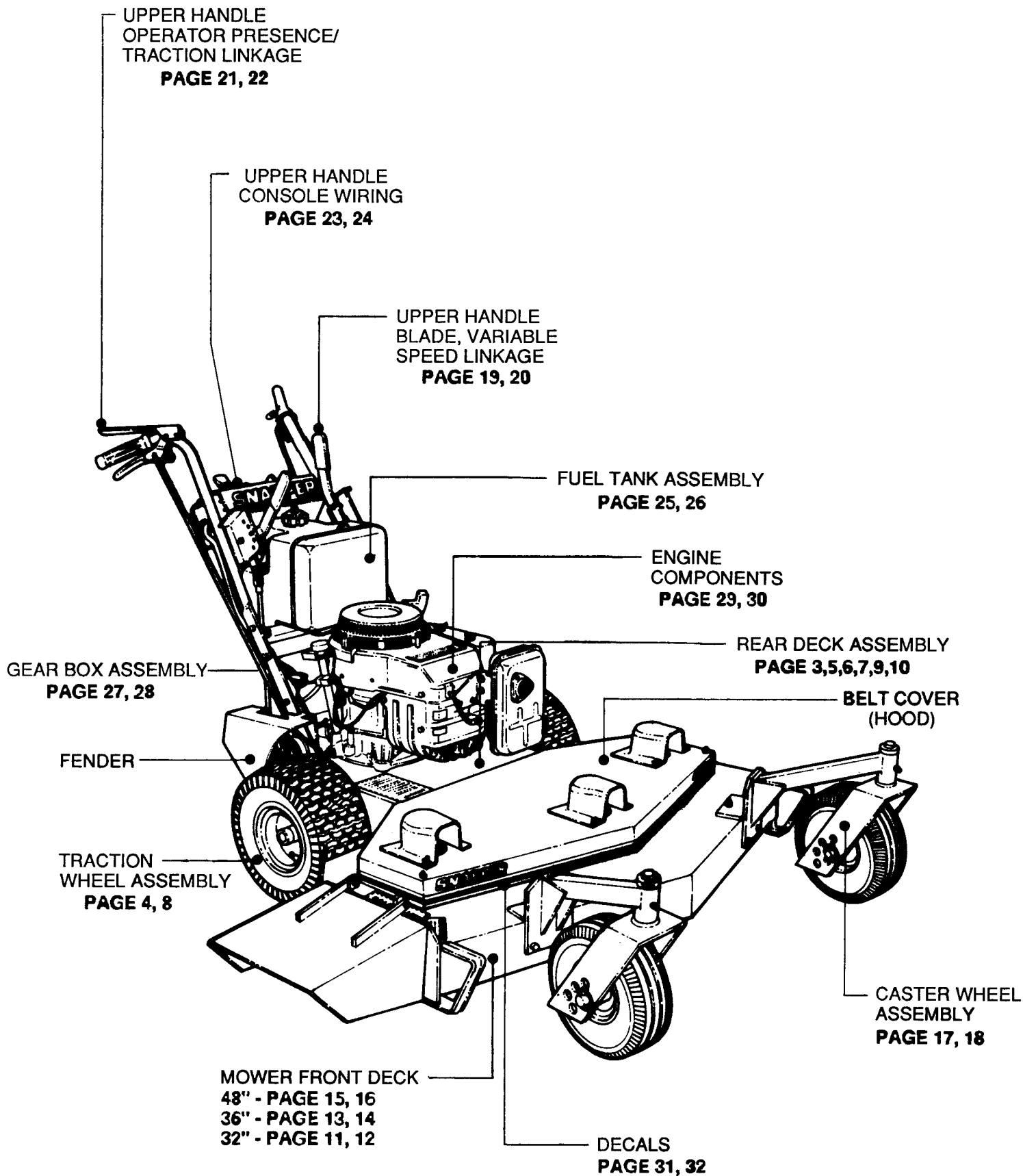


**MODEL W481252KW
ILLUSTRATED**

SNAPPER®McDonough, GA., 30253 U.S.A.

Prod # 1-9000

COMPONENTS LOCATION

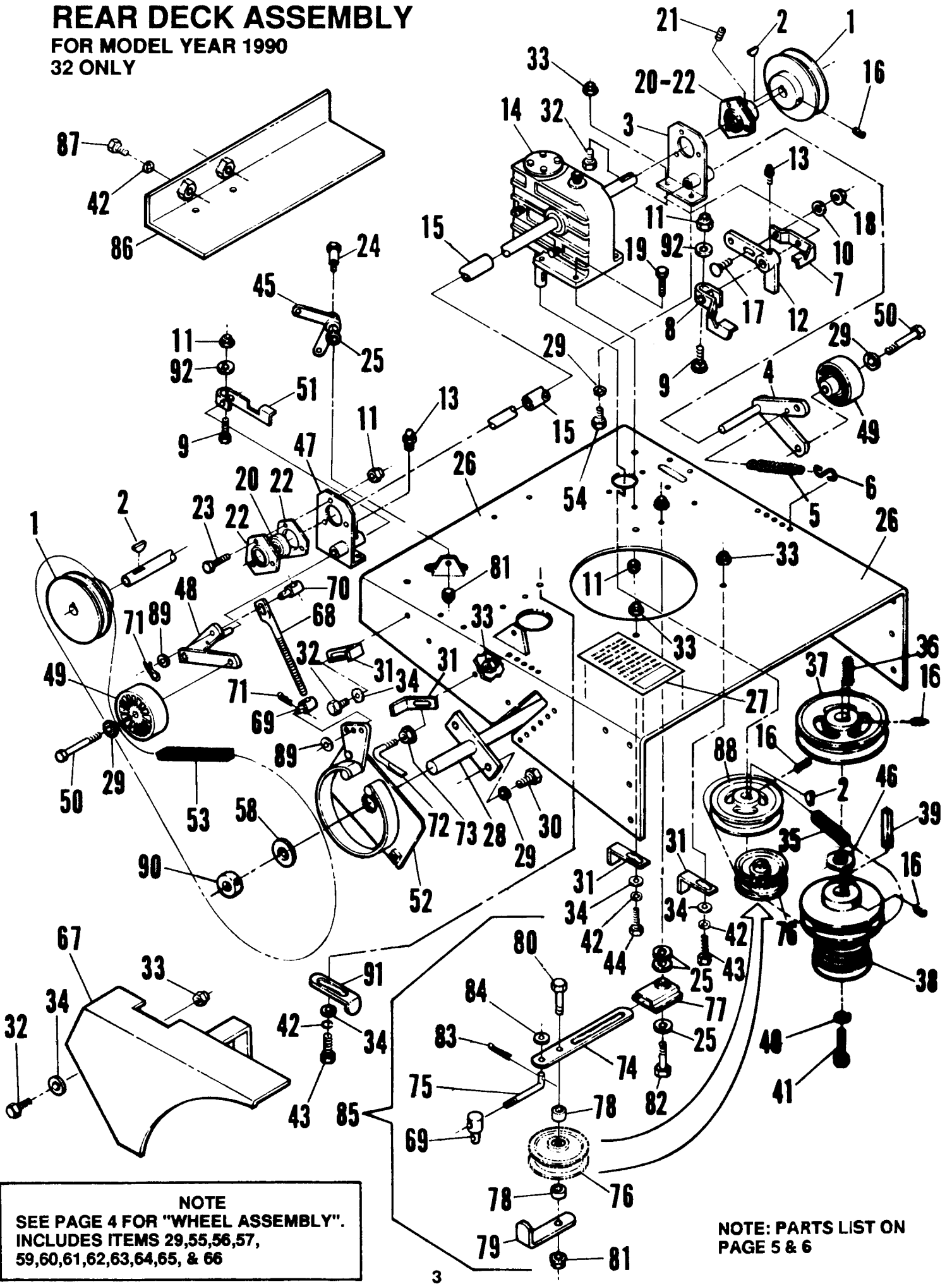


© Copyright 1988 by **SNAPPER POWER EQUIPMENT**. Printed in the United States of America. All rights reserved. Reproduction or use, without express permission, of editorial or pictorial content, in any manner, is prohibited.

REAR DECK ASSEMBLY

FOR MODEL YEAR 1990

32 ONLY

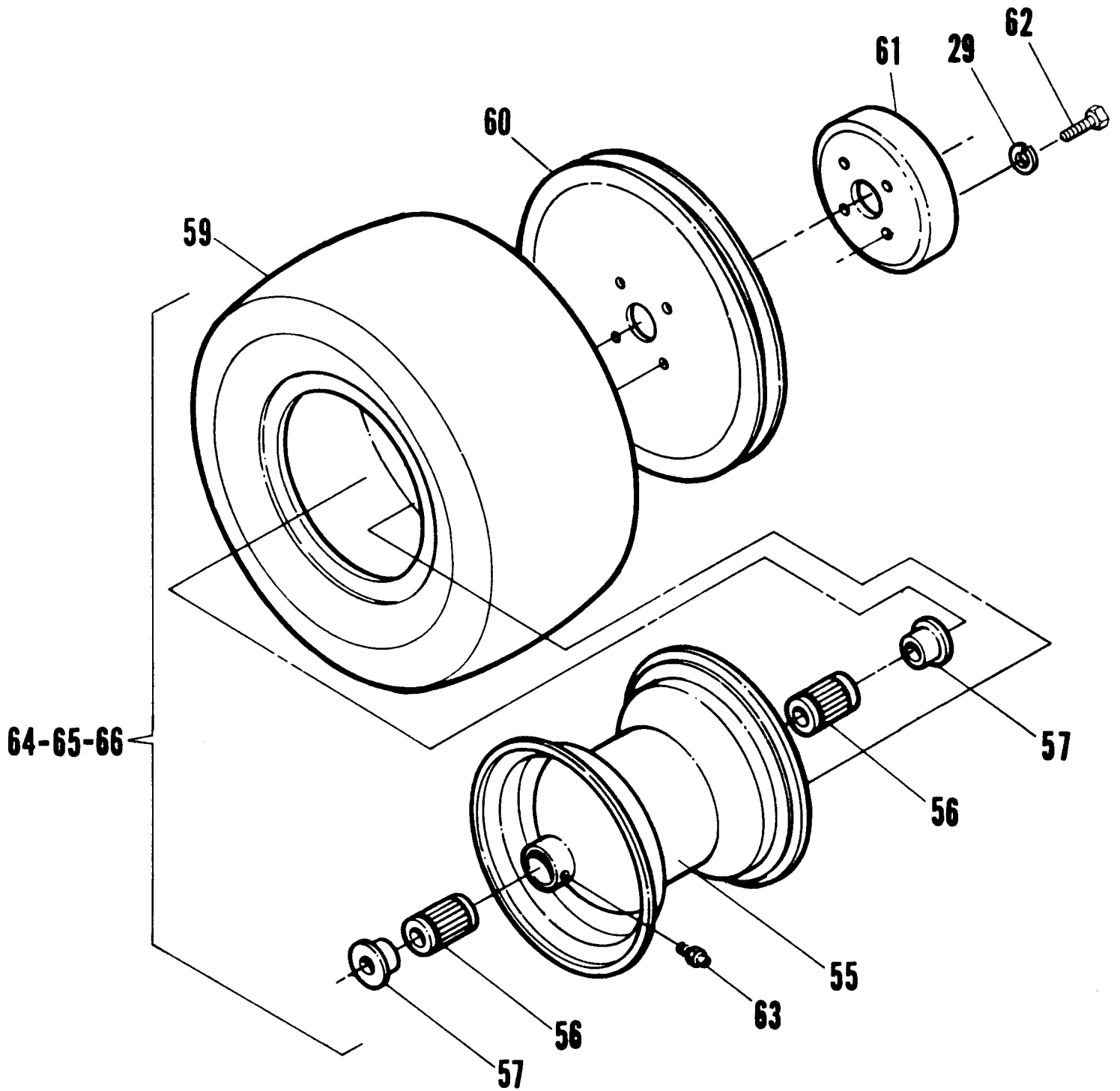


NOTE
SEE PAGE 4 FOR "WHEEL ASSEMBLY".
INCLUDES ITEMS 29,55,56,57,
59,60,61,62,63,64,65, & 66

**NOTE: PARTS LIST ON
PAGE 5 & 6**

TRACTION WHEEL ASSEMBLY

FOR MODEL YEAR 1990
32 ONLY



Items shown above Noted on page 5 & 6

REAR DECK ASSEMBLY

FOR MODEL YEAR 1990

32 ONLY

ITEM	PART NO.	DESCRIPTION
1	7-7285	PULLEY, Output w/Set Screw (2)
2	1-5894	KEY, Woodruff No. 605 (3)
3	7-7845	BRK'T, Bearing Support Weldment
4	7-7860	BELLCRANK, Traction Weldment
5	7-6439	SPRING, Extension (2)
6	7-6487	HOOK, Spring(s) (2)
7	7-7858	TAB, Blade Switch
8	7-7866	TAB, Traction Switch Left
9	9-0078	BOLT, Carriage 1/4-20 x 1 1/4 (2)
10	9-0055	WASHER, 1/4 SAE Flat
11	7-6978	NUT, Nyloc Hex 1/4-20 (12)
12	7-7851	BELLCRANK, Blade Control
13	7-6998	FITTING, Zerk 1/4-20 (2)
14	7-6380	BOX, Worm Gear Reduction
15	2-3442	TUBE, Transmission Output Shaft
16	7-6956	SCREW, Set 5/16 - 18 x 3/8 (9)
17	9-0074	BOLT, Carriage 1/4 - 20 x 3/4
18	9-0583	NUT, Hex Flange Lock 1/4-20
19	9-0548	SCREW, Hex Head Cap 1/4 - 20 x 1 (4)
20	7-6504	BEARING, Flange w/Set Screws (2)
21	7-7679	SCREW, Set Nyloc 10-32 x 1/4 (4)
22	7-6505	PLATE, Flange (4)
23	9-0072	SCREW, Hex Head Cap 1/4-20 x 5/8 (6)
24	9-1031	SHOULDER BOLT
25	9-1030	MACHINERY BUSHING 1/2"
26	5-1881	REAR DECK w/Decal
27	1-8956	DECAL, Caution
28	7-6377	AXLE, Weldment (36 & 48)
	7-6332	AXLE, Weldment (32)
*29	9-0118	WASHER, Lock 3/8 (15)
30	9-0563	SCREW, Hex Head Cap 3/8 -16 x 1 (4)
31	3-8513	GUIDE, Belt (6)
32	9-0206	SCREW, Hex Head Cap 5/16-18 x 3/4 (9)
33	9-0717	NUT, Nyloc Hex 5/16-18 (14)
		NUT, NYloc Hex M8 - 1.25
34	9-0692	WASHER, Flat 5/16 (11)
	9-0517	WASHER, Flat 3/8 (Vanguard) (2)
35	1-9203	BELT, Variable Speed (32 & 36)
36	9-1033	KEY, Square 1/4 x 1 3/4
37	7-6398	PULLEY, w/Set Screws
38	1-9217	PULLEY, Variable Speed
39	9-1032	SQUARE KEY, 1/4 x 11/16
40	9-0247	WASHER, Lock 7/16
41	9-1028	SCREW, Hex Head Cap 7/16-20 x 2 1/4 (Briggs)
	9-1029	SCREW, Hex Head Cap M10 * 1.5 x 55 (Kawasaki)
42	9-0187	WASHER, Lock 5/16 (6)
	9-0118	WASHER, Lock 3/8 (Vanguard) (2)
43	9-0669	SCREW, Hex Head Cap 5/16 - 18 x 1 3/4 (Briggs) (3) (Vanguard) (1)
	7-7692	SCREW, Hex Head Cap M8 - 1.25x25 (Kawasaki) (3)
	9-0967	SCREW, Self-tapping 3/8-16 x 1 1/4 (Vanguard) (2)
44	7-6938	SCREW, Hex Head Cap 5/16 - 18 x 2 1/4" (Briggs)
	7-6973	SCREW, Hex Head Cap M8 - 1.25 x 50 (Kawasaki)
	9-1055	SCREW, Hex Cap 5/16-18 x 2 1/4 (Vanguard)
45	4-7965	BELLCRANK WELDMENT
46	2-3747	MACHINERY BUSHING 1"
47	7-7846	BRK'T, Bearing Support
48	7-7859	BELLCRANK, Traction Right
49	7-7855	PULLEY, Idler (2)

* SEE PAGE 4 - "WHEEL ASSEMBLY"

REAR DECK ASSEMBLY

FOR MODEL YEAR 1990

32 ONLY

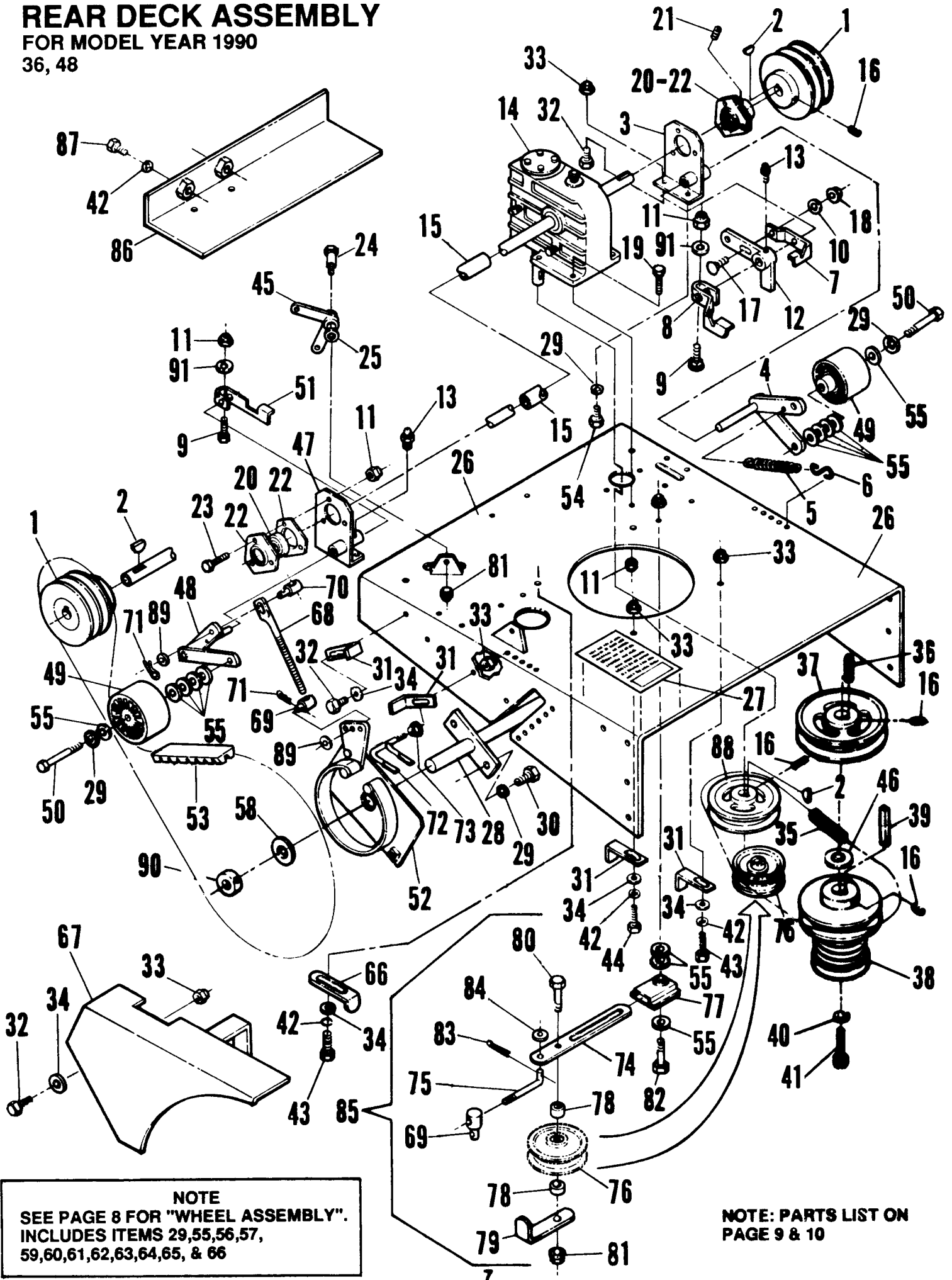
ITEM	PART NO.	DESCRIPTION
50	9-0164	SCREW, Hex Head 3/8 - 24 x 1 1/2 (2)
51	2-3294	TAB, Traction Switch
52	7-6339	BRAKE ASS'Y, Right (Shown)
	7-6340	BRAKE ASS'Y, Left
53	7-6497	BELT, Traction (2)
54	9-0134	SCREW, Hex Head Cap 3/8" - 16 x 3/4"
*55	7-7290	WHEEL, w/Flange Ass'y (36 & 48) (2)
	7-7194	WHEEL, w/Flange Ass'y (32) (2)
*56	7-7221	BEARING, Roller (32) (4)
*57	7-7312	BUSHING, Flange (4)
*58	7-6508	SPACER (2)
*59	7-7222	TIRE, 2 Ply Turfmaster (32) (2)
*60	7-6522	SHEAVE (2)
*61	7-6440	DRUM, Brake (2)
*62	7-6942	SCREW, Hex Head Cap 3/8" - 24 x 5/8 (8)
*63	7-6998	ZERK, 1/4 - 28 (2)
*64	7-7195	WHEEL, w/Sheave & Drum Ass'y. (32) (2) (Includes 55, 60, 61, 29, 62)
*65	7-6335	TIRE ASS'Y, w/Bearing (32) (2) (Includes 59, 57, 56, 55)
*66	7-6336	WHEEL, Tire Ass'y. (32) (2) (Includes 65, 60, 61, 29, 62)
67	7-6368	FENDER, Right (Shown)
	7-6369	FENDER, Left
68	7-6431	LINKAGE, Brake (2)
69	7-6434	SWIVEL, Short (3)
70	7-6486	SWIVEL, Long (2)
71	7-6988	COTTER, #2 Hairpin (4)
72	7-6446	SCRAPER (2)
73	9-0585	NUT, 5/16 - 18 Whizlock (2)
74	3-8464	BAR, Slide
75	7-6432	LINKAGE, Variable Speed Adjustment
76	1-9078	PULLEY, Idler w/Bushing
77	4-0603	BRACKET, Slide
78	1-9077	SPACER (1" O.D. x 13/32 I.D. x 3/8) (2)
79	2-3284	GUIDE, Belt
80	9-0796	SCREW, Hex Head Cap 3/8 - 16 x 2 1/2
81	9-0613	NUT, Hex Flange 3/8 - 16 (2)
82	9-0655	SCREW, Hex Head Cap 3/8 - 16 x 1 1/2
83	9-0555	PIN, Cotter 3/32 x 1/2
84	9-0188	WASHER, Flat 5/16 SAE
85	5-7555	SLIDE, Variable Speed Assembly
86	4-7947	SHIELD, Lower Belt
87	9-0209	SCREW, Hex Head Cap 5/16 - 18 x 1 (2)
88	1-9222	PULLEY, Transmission w/Set Screws (32,36)
89	7-6531	WASHER, Brake Linkage (6)
*90	7-7000	COLLAR, Clamp w/Set Screw 7/8 (2)
91	2-3609	BELT GUIDE (Rear) (Kawasaki)
	3-2884	GUIDE, BELT (Rear) (Vanguard)
92	91004	WASHER, 1/4 "D"

*SEE PAGE 4 - "WHEEL ASSEMBLY"

REAR DECK ASSEMBLY

FOR MODEL YEAR 1990

36, 48



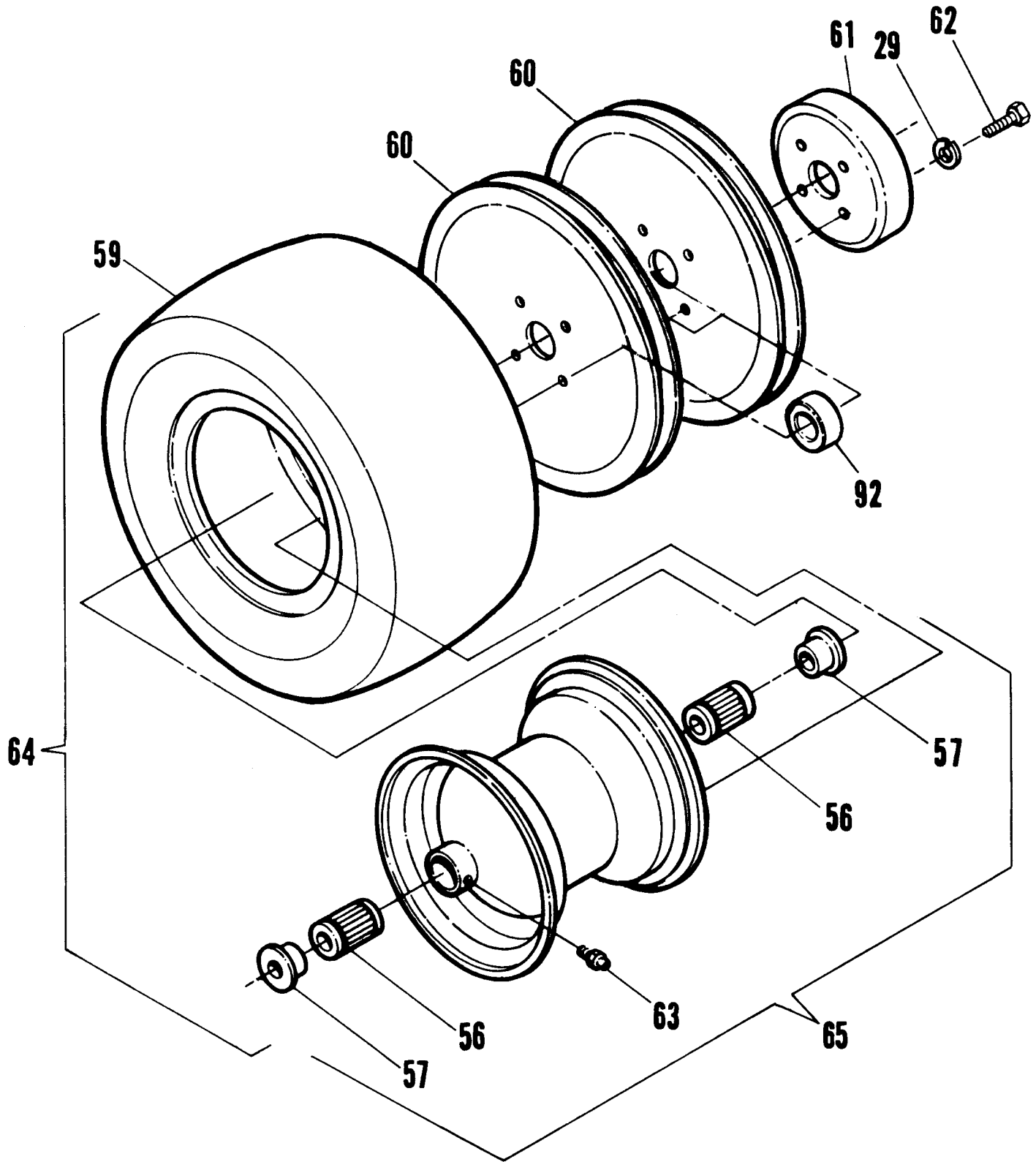
NOTE
SEE PAGE 8 FOR "WHEEL ASSEMBLY".
INCLUDES ITEMS 29,55,56,57,
59,60,61,62,63,64,65, & 66

**NOTE: PARTS LIST ON
PAGE 9 & 10**

TRACTION WHEEL ASSEMBLY

FOR MODEL YEAR 1990

36, 48



Items shown above listed on pages 9 & 10

REAR DECK ASSEMBLY

FOR MODEL YEAR 1990

36, 48

ITEM	PART NO.	DESCRIPTION
1	5-1986	PULLEY, Output w/Set Screw (Item 16) (2)
2	1-5894	KEY, Woodruff No. 605 (3)
3	7-7845	BRK'T, Bearing Support Weldment
4	7-7860	BELLCRANK, Traction Weldment
5	7-6439	SPRING, Extension (2)
6	7-6487	HOOK, Spring(s) (2)
7	7-7858	TAB, Blade Switch
8	7-7866	TAB, Traction Switch Left
9	9-0078	BOLT, Carriage 1/4-20 x 1 1/4 (2)
10	9-0055	WASHER, 1/4 SAE Flat
11	7-6978	NUT, Nyloc Hex 1/4-20 (12)
12	7-7851	BELLCRANK, Blade Control
13	7-6998	FITTING, Zerk 1/4-20 (2)
14	7-6380	BOX, Worm Gear Reduction
15	2-3442	TUBE, Transmission Output Shaft
16	7-6956	SCREW, Set 5/16 - 18 x 3/8 (9)
17	9-0074	BOLT, Carriage 1/4 - 20 x 3/4
18	9-0583	NUT, Hex Flange Lock 1/4-20
19	9-0548	SCREW, Hex Head Cap 1/4 - 20 x 1 (4)
20	7-6504	BEARING, Flange w/Set Screws (2)
21	7-6679	SCREW, Set Nyloc 10-32 x 1/4 (4)
22	7-6505	PLATE, Flange (4)
23	9-0072	SCREW, Hex Head Cap 1/4-20 x 5/8 (6)
24	9-1031	SHOULDER BOLT
25	9-1030	MACHINERY BUSHING 1/2
26	5-1881	REAR DECK w/Decal
27	1-8956	DECAL, Caution
28	7-6377	AXLE, Weldment (36 & 48)
*29	9-0118	WASHER, Lock 3/8 (15)
30	9-0563	SCREW, Hex Head Cap 3/8 -16 x 1 (4)
31	3-8513	GUIDE, Belt (6)
32	9-0206	SCREW, Hex Head Cap 5/16-18 x 3/4 (9)
33	9-0717	NUT, Nyloc Hex 5/16-18 (14) NUT, Nyloc Hex M8 - 1.25
34	9-0692	WASHER, Flat 5/16 (11)
	9-0517	WASHER, Flat 3/8 (Vanguard) (2)
35	1-9203	BELT, Variable Speed (36 & 48)
36	9-1033	KEY, Square 1/4 x 1 3/4
37	7-6398	PULLEY, w/Set Screws
38	1-9217	PULLEY, Variable Speed
39	9-1032	SQUARE KEY 1/4 x 11/16
40	9-0247	WASHER, Lock 7/16
41	9-1028	SCREW, Hex Head Cap 7/16-20 x 2 1/4 (Briggs)
	9-1029	SCREW, Hex Head Cap M10 * 1.5 x 55 (Kawasaki)
42	9-0187	WASHER, Lock 5/16 (6)
	9-0118	WASHER, Lock 3/8 (Vanguard) (2)
43	9-0669	SCREW, Hex Head Cap 5/16 - 18 x 1 3/4 (Briggs) (3)
	7-7692	SCREW, Hex Head Cap M8 - 1.25x25 (Kawasaki) (3)
	9-0967	SCREW, Self-tapping 3/8-16 x 1 1/4 (Vanguard) (2)
44	7-6938	SCREW, Hex Head Cap 5/16 - 18 x 2 1/4" (Briggs)
	7-6973	SCREW, Hex Head Cap M8 - 1.25 x 50 (Kawasaki)
	9-1055	SCREW, Hex Cap 5/16-18 x 2 1/4 (Vanguard)
45	4-7965	BELLCRANK WELDMENT
46	2-3747	MACHINERY BUSHING 1"
47	7-7846	BRK'T, Bearing Support
48	7-7859	BELLCRANK, Traction Right
49	1-9225	PULLEY, Idler (2)

* SEE PAGE 8 - "WHEEL ASSEMBLY"

REAR DECK ASSEMBLY

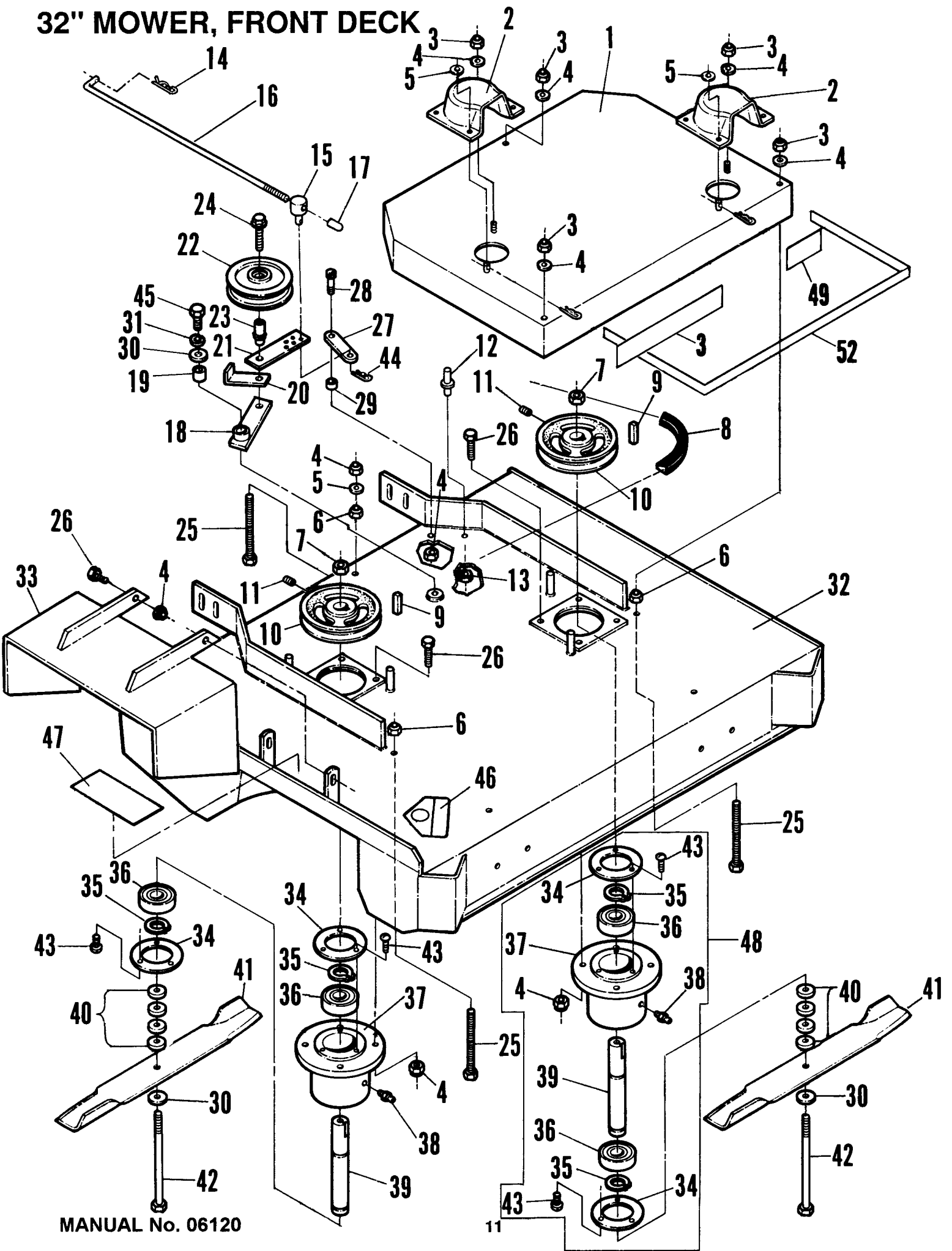
FOR MODEL YEAR 1990

36, 48

ITEM	PART NO.	DESCRIPTION
50	7-7670	SCREW, Hex Head 3/8 - 24 x 1 3/4 (2)
51	2-3294	TAB, Traction Switch
52	7-6339	BRAKE ASS'Y, Right (Shown)
	7-6340	BRAKE ASS'Y, Left
53	1-9202	BELT, Traction (2)
54	9-0134	SCREW, Hex Head Cap 3/8" - 16 x 3/4"
*55	9-0517	WASHER, Flat 3/8 STD (14)
*56	7-7313	BEARING, Roller (36 & 48) (4)
*57	7-7312	BUSHING, Flange (4)
*58	2-3787	MACHINERY BUSHING 7/8" (2)
*59	2-3788	TIRE, 4 Ply Turfsaver (2)
*60	3-8473	PULLEY, Traction (4)
*61	1-9224	HUB, Brake (2)
*62	9-0164	SCREW, Hex Head Cap 3/8" - 24 x 5/8 (8)
*63	7-6998	ZERK, 1/4 - 28 (2)
*64	1-9206	WHEEL ASS'Y (w/out Pulleys) (2) (Includes 65 & 59)
	5-9800	WHEEL ASS'Y (Complete w/Pulleys & Brake Hub) (2) (Includes 60, 61, 29, 62, 59, 65)
*65	1-9256	RIM w/Flange Ass'y (2) (Includes 57, 56, 63)
66	3-2884	GUIDE, Belt (Rear) (replaces 2-3609)
67	7-6368	FENDER, Right (Shown)
	7-6369	FENDER, Left
68	7-6431	LINKAGE, Brake (2)
69	7-6434	SWIVEL, Short (3)
70	7-6486	SWIVEL, Long (2)
71	7-6988	COTTER, #2 Hairpin (4)
72	4-0606	SCRAPER (2)
73	9-0585	NUT, 5/16 - 18 Whizlock (2)
74	3-8464	BAR, Slide
75	7-6432	LINKAGE, Variable Speed Adjustment
76	1-9078	PULLEY, Idler w/Bushing
77	4-0603	BRACKET, Slide
78	1-9077	SPACER (1" O.D. x 13/32 I.D. x 3/8) (2)
79	2-3284	GUIDE, Belt
80	9-0796	SCREW, Hex Head Cap 3/8 - 16 x 2 1/2
81	9-0613	NUT, Hex Flange 3/8 - 16 (2)
82	9-0655	SCREW, Hex Head Cap 3/8 - 16 x 1 1/2
83	9-0555	PIN, Cotter 3/32 x 1/2
84	9-0188	WASHER, Flat 5/16 SAE
85	5-7555	SLIDE, Variable Speed Assembly
86	4-7947	SHIELD, Lower Belt
87	9-0209	SCREW, Hex Head Cap 5/16 - 18 x 1 (2)
88	1-9222	PULLEY, Transmission w/Set Screws (32,36)
89	7-6531	WASHER, Brake Linkage (6)
*90	7-7000	COLLAR, Clamp w/Set Screw 7/8 (2)
91	9-1004	WASHER, 1/4 "D"
92	2-3515	SPACER, Traction Pulley (4)

*SEE PAGE 8 - "WHEEL ASSEMBLY"

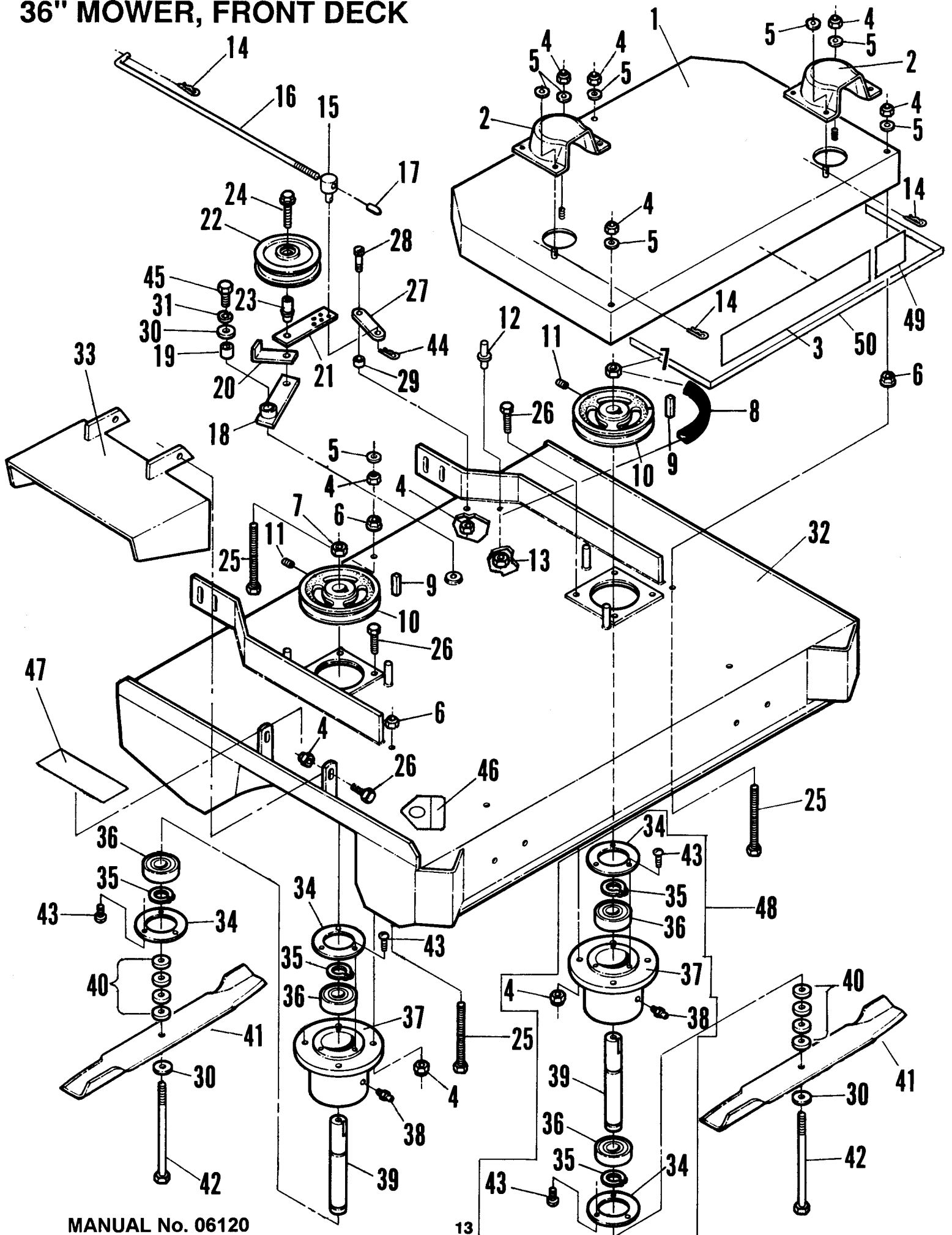
32" MOWER, FRONT DECK



32" MOWER, FRONT DECK

ITEM	PART NO.	DESCRIPTION
1	5-7637	BELT COVER W/DECALS (MY90)
2	7-6524	COVER, Spindle (2)
3	1-9293	DECAL, "SNAPPER" (MY90)
4	9-0717	NUT, 5/16-18 Nyloc Hex (17)
5	9-0692	WASHER, 5/16 Std. Flat (8)
6	9-0585	NUT, 5/16" - 18 Whizlock (3)
7	7-6980	NUT, 5/8-18 Hex (2)
8	7-6353	BELT, Engine/Blade
9	1-2757	KEY, 1/4 Square x 1 1/4 (2)
10	7-6398	PULLEY, W/Set Screws (2)
11	7-6956	SCREW, Set (4)
12	2-3551	STUD, Stop
13	9-0613	NUT, 3/8-16 Whizlock
14	7-6988	COTTER, #2 Hairpin (3)
15	7-7921	SWIVEL
16	7-7941	ROD, Blade Drive
17	2-3328	CAP
18	7-6386	ARM, Idler w/Bushing
19	7-6452	BUSHING
20	7-6681	SNUBBER, Belt
21	7-6686	ARM, Tightening
22	7-6688	PULLEY, Idler
23	7-6694	BUSHING, Flange
24	9-0701	BOLT, Flange Lock 3/8-16x1 3/4
25	7-6969	SCREW, Hex Head Cap 5/16-18x3 1/4 (3)
26	9-0636	SCREW, Hex Head Cap 5/16-18x1 (12) GR.5
27	7-6687	ARM, Blade Assist
28	7-7001	BOLT, Knurled Socket Head Shoulder 3/8 x 3/4
29	7-6689	SPACER
30	7-6982	WASHER, Flat 5/8 (3)
31	9-0333	WASHER, Lock 5/8
32	5-7574	DECK, Front 32 w/Decals
33	7-6382	DEFLECTOR, Chute
34	1-9096	CAP, CUTTER HOUSING (4) (MY90)
35	2-3548	RING, RETAINING (4) (MY90)
36	1-9125	BEARING (SINGLE SEAL) (4) (MY90)
37	2-7685	HOUSING, CUTTER (2) (MY90)
38	7-6997	ZERK, 1/8 NPT (2)
39	2-3418	SPINDLE, CUTTER (2) (MY90)
40	7-6436	SPACER, Blade (8)
41	1-7036	BLADE 16 1/4 HIGH LIFT (.204) (2) (MY90)
42	7-6946	SCREW, Hex Head Cap 5/8-18x7 1/2 (2)
43	9-1034	SCREW, SELF-TAPPING 10 - 24 x 1/2 (12) (MY90)
44	7-6989	COTTER, Hairpin #4
45	9-0767	SCREW, Hex Head Cap 5/8-11x1
46	1-3010	DECAL, CPSC
47	7-6533	DECAL, "Caution"
48	5-9759	ASSEMBLY, CUTTER HOUSING (2) (MY90)
49	2-3842	DECAL, 32 Inch (MY90)
50	2-3845	DECAL STRIPE

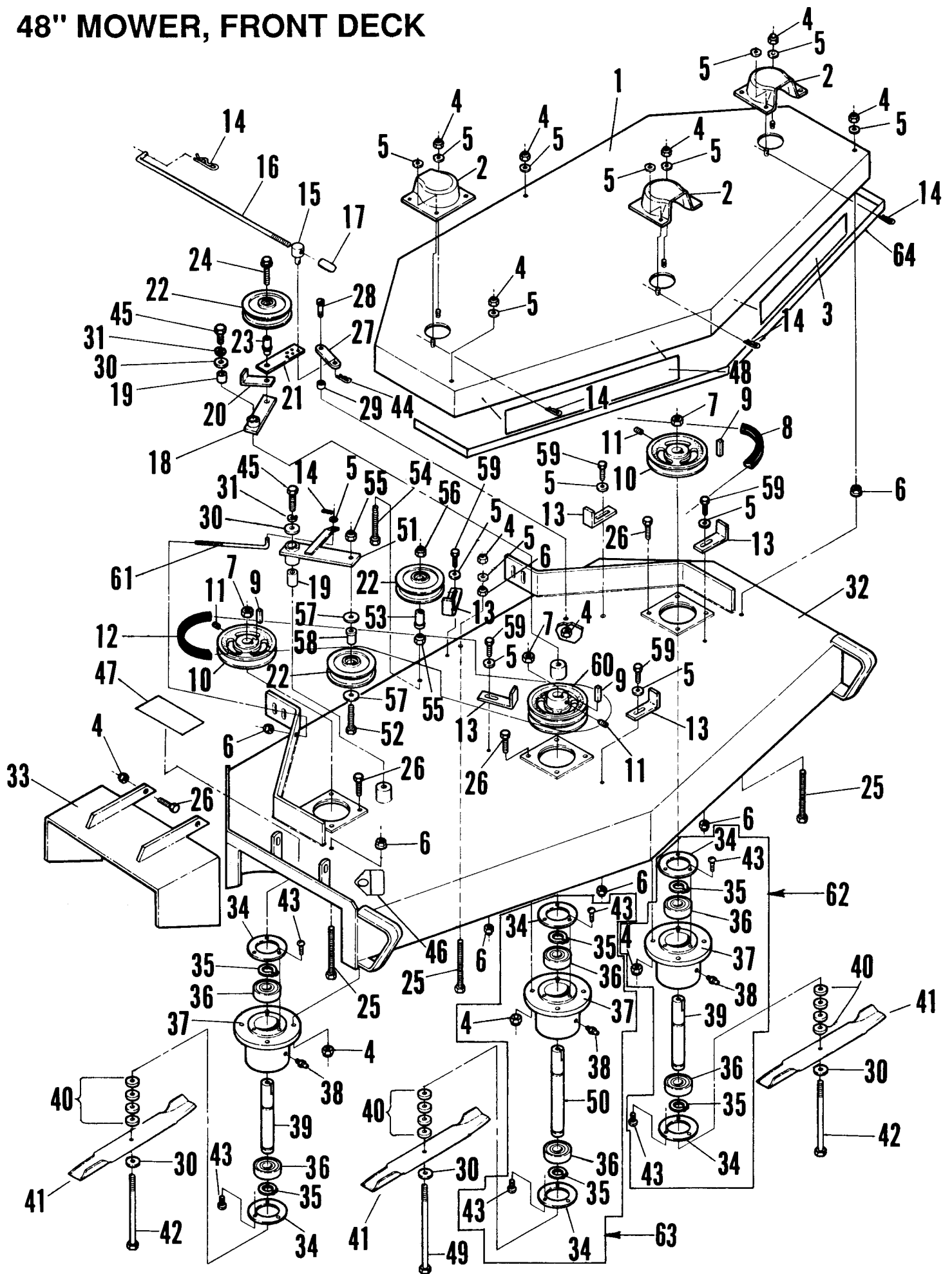
36" MOWER, FRONT DECK



36" MOWER, FRONT DECK

ITEM	PART NO.	DESCRIPTION
1	5-7640	BELT COVER W/DECALS 36 (MY90)
2	7-6524	COVER, Spindle (2)
3	1-9293	DECAL, "SNAPPER" (MY90)
4	9-0717	NUT, 5/16-18 Nyloc Hex (17)
5	9-0692	WASHER, 5/16 Std. Flat (8)
6	9-0585	NUT, 5/16-18 WHIZLOCK (3)
7	7-6980	NUT, 5/8 - 18 Hex (2)
8	7-6496	BELT, Engine Blade
9	1-2757	KEY, 1/4 Square x 1 1/4 (2)
10	7-6398	PULLEY, w/Set Screws (2)
11	7-6956	SCREW, Set (4)
12	2-3551	STUD, Stop
13	9-0613	NUT, 3/8-16 w/H12 Lock
14	7-6988	COTTER, #2 Hairpin (3)
15	7-7921	SWIVEL
16	7-7941	ROD, Blade Drive
17	2-3328	CAP
18	7-6386	ARM, Idler w/Bushing
19	7-6452	BUSHING
20	7-6681	SNUBBER, Belt
21	7-6686	ARM, Tightening
22	7-6688	PULLEY, Idler
23	7-6694	BUSHING, Flange
24	9-0701	BOLT, Flange Lock 3/8-16x1 3/4
25	7-6969	SCREW, Hex Head Cap 5/16-18x3 1/4 (3)
26	9-0636	SCREW, Hex Head Cap 5/16-18x1 (10) GR. 5
27	7-6687	ARM, Blade Assist
28	7-7001	BOLT, Knurled Socket Head Shoulder 3/8 x 3/4
29	7-6689	SPACER
30	7-6982	WASHER, Flat 5/8 (3)
31	9-0333	WASHER, Lock 5/8
32	5-7575	DECK, Front 36 w/Decals
33	7-6382	DEFLECTOR, Chute
34	1-9096	CAP, CUTTER HOUSING (4) (MY90)
35	2-3548	RING, RETAINING (4) (MY90)
36	1-9125	BEARING (SINGLE SEAL) (4) (MY90)
37	2-7685	HOUSING, CUTTER (2) (MY90)
38	7-6997	ZERK, 1/8 NPT (2)
39	2-3419	SPINDLE, CUTTER (2) (MY90)
40	7-6436	SPACER, Blade (8)
41	1-7037	BLADE 18 HIGH LIFT (.204) (2) (MY90)
42	7-6946	SCREW, Hex Head Cap 5/8-18x7 1/2 (2)
43	9-1034	SCREW, SELF-TAPPING 10 - 24 x 1/2 (12) (MY90)
44	7-6989	COTTER, Hairpin #4
45	9-0767	SCREW, Hex Head Cap 5/8-11x1
46	1-3010	DECAL, CPSC
47	7-6533	DECAL, "Caution"
48	5-9759	ASSEMBLY CUTTER HOUSING (2) (MY90)
49	2-3843	DECAL, 36 Inch
50	2-3845	DECAL, STRIPE

48" MOWER, FRONT DECK

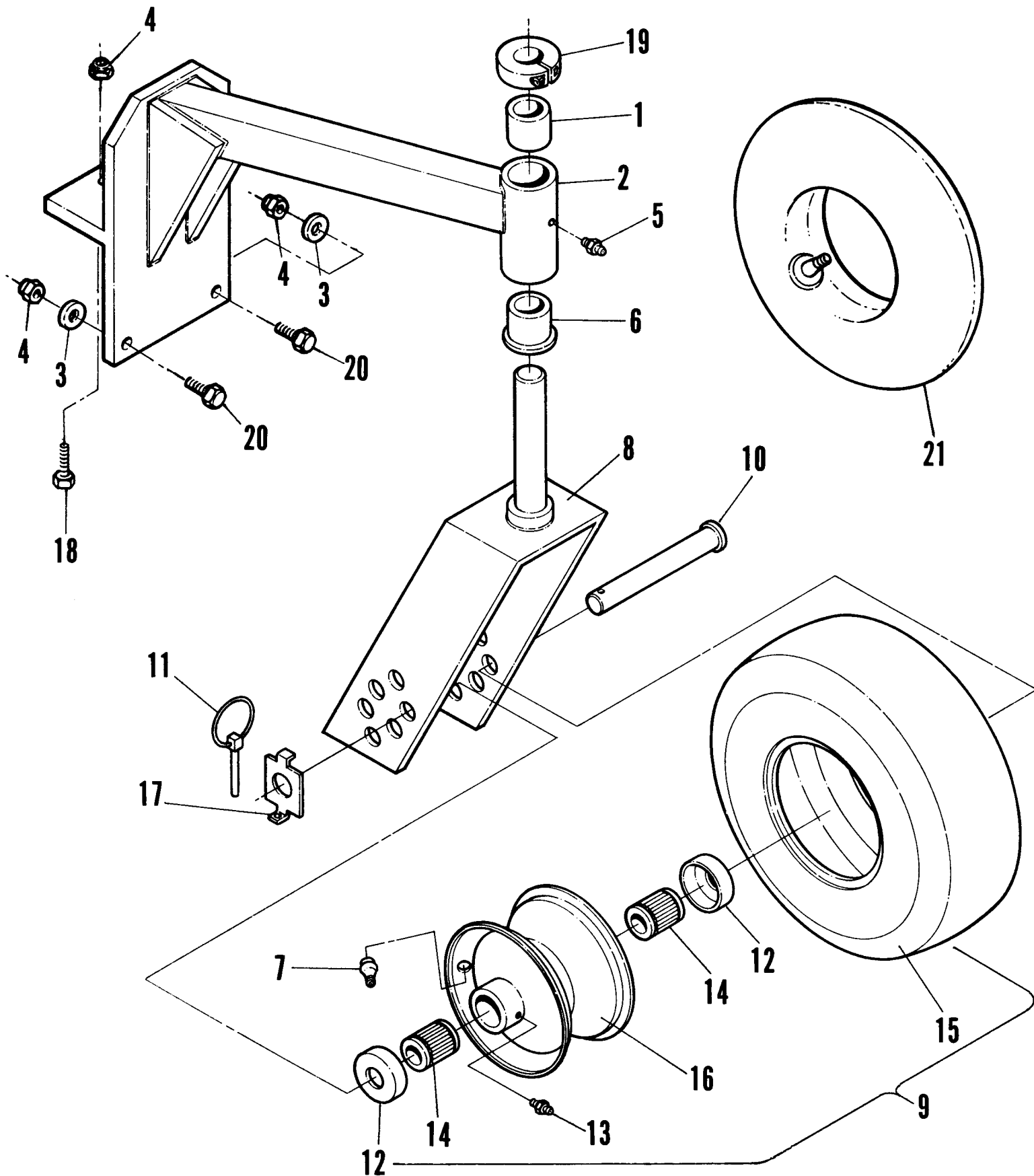


48" MOWER, FRONT DECK

ITEM	PART NO.	DESCRIPTION
1	5-7643	BELT COVER W/DECALS (MY90)
2	7-6524	COVER, Spindle (3)
3	2-3844	DECAL, 48 Inch (MY90)
4	9-0717	NUT, 5/16-18 Nyloc Hex (28)
5	9-0692	WASHER, 5/16 Std. Flat (12)
6	9-0585	NUT, 5/16-18 Whizlock (9)
7	7-6980	NUT, 5/8-18 Hex (3)
8	7-6677	BELT, Engine/Blade
9	1-2757	KEY, 1/4 Square x 1 1/4 (3)
10	7-6398	PULLEY, w/Set Screws (2)
11	7-6956	SCREW, Set (6)
12	7-6676	BELT, Blade to Blade
13	3-2874	GUIDE, Belt (6)
14	7-6988	COTTER, #2 Hairpin (5)
15	7-7921	SWIVEL
16	7-7940	ROD, Blade Drive
17	2-3328	CAP
18	7-6646	ARM, Idler w/Bushing
19	7-6452	BUSHING (2)
20	7-6681	SNUBBER, Belt
21	7-6686	ARM, Tightening
22	7-6688	PULLEY, Idler (3)
23	7-6694	BUSHING, Flange
24	9-0701	BOLT, Flange Lock 3/8--16 X 1 3/4
25	7-6969	SCREW, Hex Head Cap 5/16-18 x 3 1/4 (3)
26	9-0636	SCREW, Hex Head Cap 5/16 - 18 x 1 (14) GR. 5
27	7-6687	ARM, Blade Assist
28	7-7001	BOLT, Knurled Socket Head Shoulder 3/8 x 3/4
29	7-6689	SPACER
30	7-6982	WASHER, Flat 5/8 (5)
31	9-0333	WASHER, Lock 5/8 (2)
32	5-7576	DECK, Front 48 w/Decals
33	7-7752	DEFLECTOR, Chute
34	1-9096	CAP, CUTTER HOUSING (6) (MY90)
35	2-3548	RING, RETAINING (6) (MY90)
36	1-9125	BEARING (6) (Single Seal) (MY90)
37	2-7685	HOUSING, CUTTER (3) (MY90)
38	7-6997	ZERK, 1/8 NPT (3)
39	2-3418	SPINDLE, CUTTER (2) (MY90)
40	7-6436	SPACER, Blade (12)
41	1-7036	BLADE, 16 1/4 High Lift (.204) (3) (MY90)
42	7-6946	SCREW, Hex Head Cap 5/8 - 18 x 7 1/2 (2)
43	9-1034	SCREW, SELF-TAPPING 10 - 24 x 1/2 (18) (MY90)
44	7-6989	COTTER, Hairpin #4
45	9-0767	SCREW, Hex Head Cap 5/8 - 11 x 1
46	1-3010	DECAL, CPSC
47	7-6533	DECAL, "Caution"
48	1-9293	DECAL, "SNAPPER" (MY90)
49	7-6947	SCREW, Hex Head Cap 5/8 -18 x 8"
50	2-7710	SPINDLE CUTTER (MY90)
51	7-6647	ARM, Idler Right w/Bushing
52	9-0588	SCREW, Hex Head Cap 3/8 - 16 x 2
53	7-6836	BUSHING, Idler Flange
54	7-6970	BOLT, Hex Head Tap 3/8 - 16 x 2 1/2
55	7-6979	NUT, Nyloc Hex 3/8 - 16
56	9-0613	NUT, Whizlock 3/8 - 16
57	9-0517	WASHER (2)
58	7-6695	BUSHING, Idler Flange
59	7-6925	SCREW, Hex Head Cap 5/16 - 18 x 3/4 (6)
60	7-6648	PULLEY, Double w/Set Screws
	1-9101	SHEAVE, Taper Lock (Replaces 7-6648)
	2-3381	BUSHING, Sheave (for 1-9101 Sheave)
61	7-6683	ROD, Belt Tension
62	5-9759	ASSEMBLY CUTTER HOUSING, (2) (MY90)
63	5-9964	ASSEMBLY CUTTER HOUSING (CTR) (MY90)
64	2-3845	DECAL, STRIPE (MY90)

CASTER WHEEL ASSEMBLY

#6-0908 CASTER WHEEL KIT (Includes items 1 thru 20)

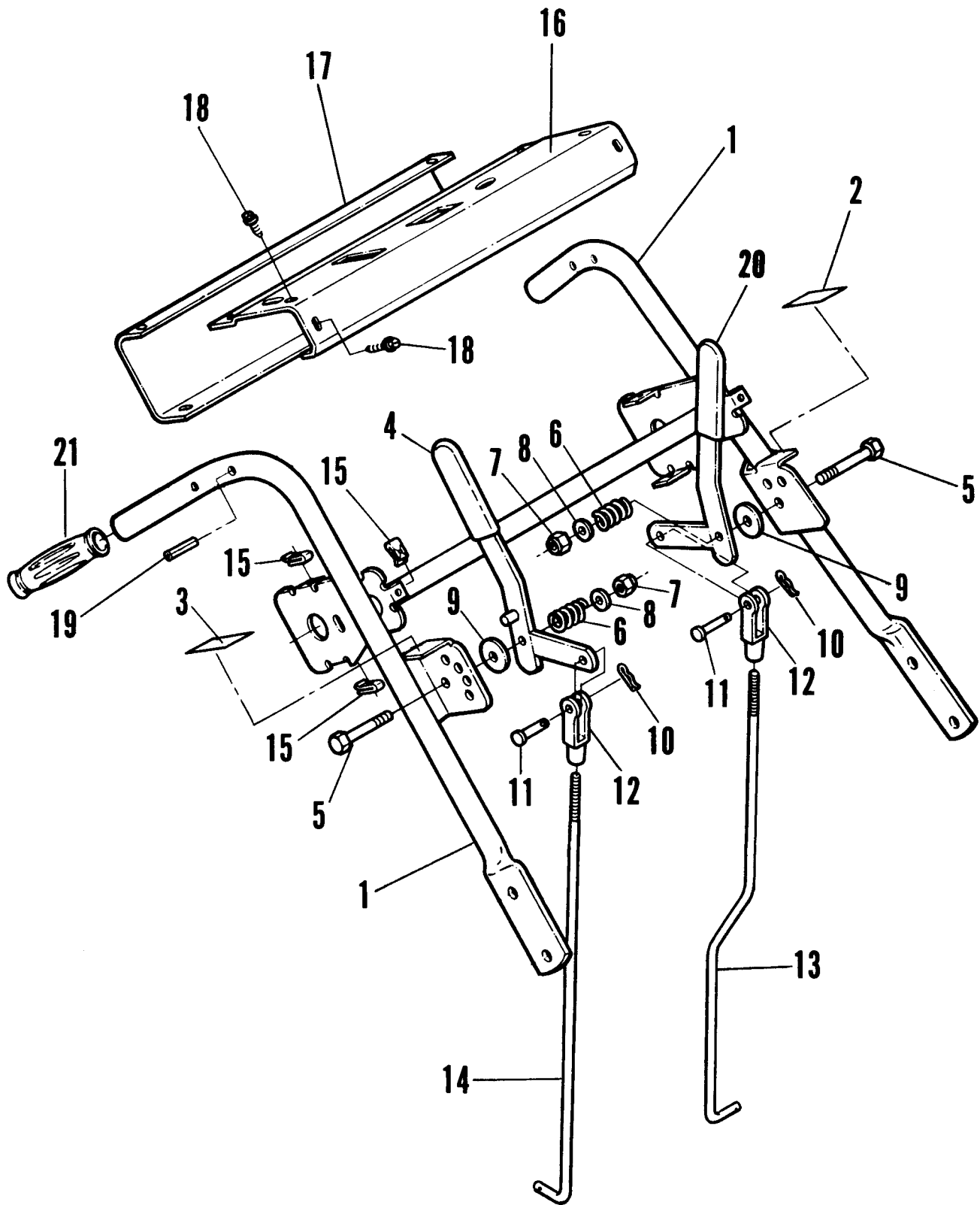


CASTER WHEEL ASSEMBLY

ITEM	PART NO.	DESCRIPTION
1	7-6515	BUSHING, Straight (2)
2	7-6399	SUPPORT, Caster w/Bushings (2)
3	9-0517	WASHER, Flat 3/8" Std. (4)
4	9-0613	NUT, Hex Flange 3/8 - 16 (6)
5	7-6997	FITTING, Zerk 1/8 NPT Straight (2)
6	7-6514	BUSHING, Flange (2)
7	1-2234	STEM, Valve (2)
8	7-6401	YOKE, Caster (2)
9	7-6408	TIRE ASSEMBLY (2)
10	7-6549	AXLE, Caster (2)
11	7-6967	PIN, Linkch 3/16" DIA. (2)
12	7-7356 7-7354	CAP, Wheel Size 1 1/2 I.D. (for 1 1/2 O.D. Hub) (4) CAP, Wheel Side 1 5/8 I.D. (for 1 5/8 O.D. Hub) (4)
13	7-6998	FITTING, Zerk 1/16" NPT Straight (2)
14	7-7353	BEARING, Roller (4)
15	7-7346	TIRE (2)
16	7-7350	RIM, w/Valve, Cap & Zerk (2)
17	7-7720	WASHER, Tab (2)
18	7-6949	BOLT, Hex Head Tap, 3/8 - 16 x 1 3/4
19	7-7000	COLLAR, Clamp 7/8
20	9-0563	SCREW, Hex Head Cap 3/8 - 16 x 1 (2)
21	1-0821	TUBE, Inner (Optional)

#6-0908 CASTER WHEEL KIT (Includes items 1 thru 20)

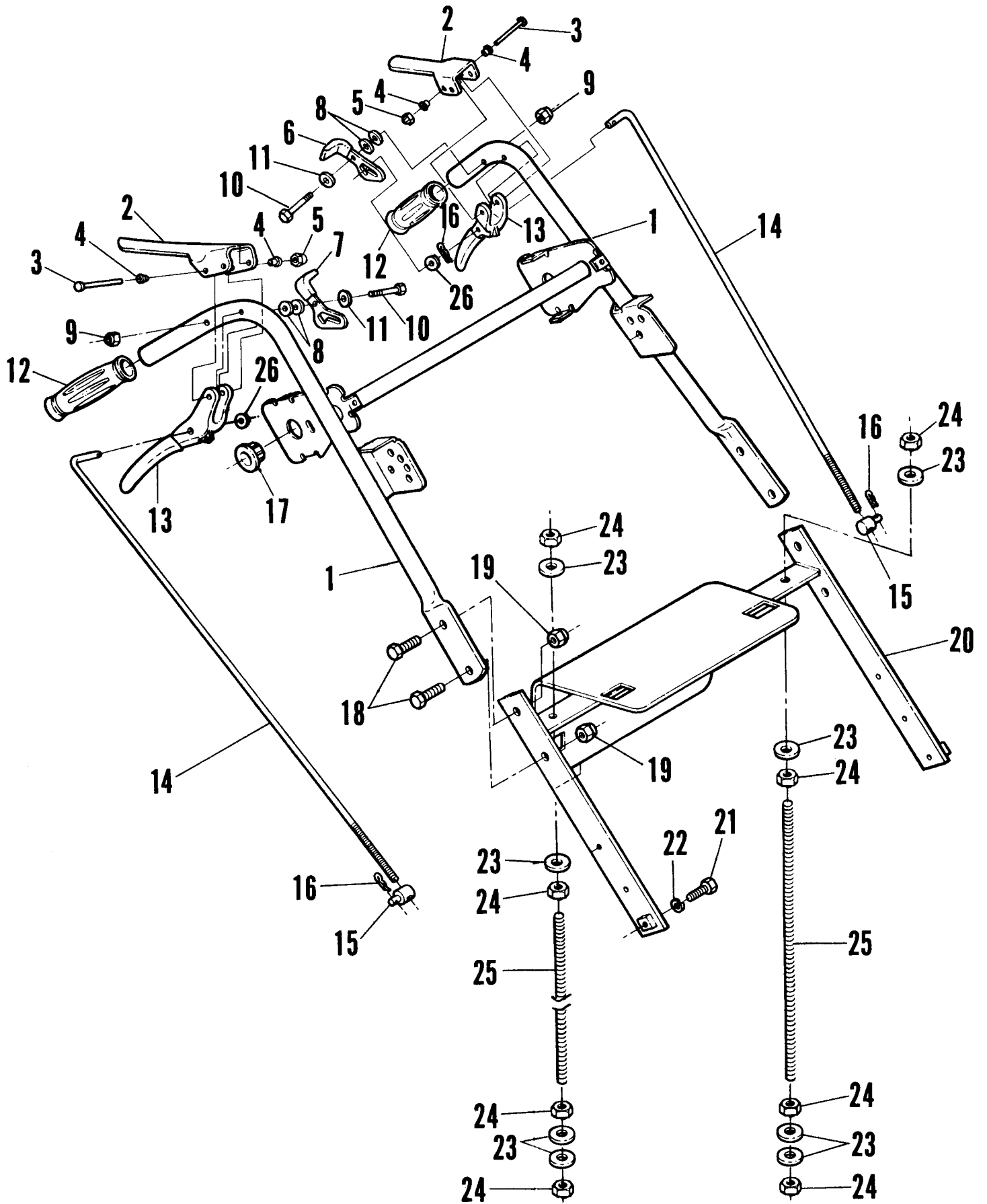
UPPER HANDLE, BLADE/VARIABLE SPEED LINKAGE



UPPER HANDLE, BLADE, VARIABLE SPEED LINKAGE

ITEM	PART NO.	DESCRIPTION
1	5-1802	HANDLE, Upper Weldment
2	7-7912	DECAL, Blade
3	7-7911	DECAL, Ground Speed
4	5-7602	LEVER, Control W/Grip Assembly (1) (MY90)
5	9-0588	SCREW, Hex Head Cap 3/8 - 16 x 2 (2)
6	7-6438	SPRING, Compression (2)
7	7-6979	NUT, Nyloc Hex 3/8 - 16 (2)
8	9-0517	WASHER, Flat 3/8 Std. (2)
9	7-6435	WASHER, Spacer (2)
10	7-6988	PIN, Hair No. 2 (2)
11	7-7793	PIN, Clevis 5/16 (2)
12	7-6481	YOKE (2)
13	7-6519	LINKAGE, Blade
14	7-6534	LINKAGE, Ground Speed
15	1-5098	NUT, Clip (8)
16	5-7646	PANEL, Control W/Decals (MY90)
17	5-7648	LOWER COVER W/Decal (MY90)
18	7-6952	SCREW, Pan Head 10-24 x 5/8 (8)
19	2-3313	PIN, Roll 5/16 x 1 1/8 (2)
20	7-7274	LEVER, Blade W/Grip Assembly (MY90)
21	7-6526	GRIP

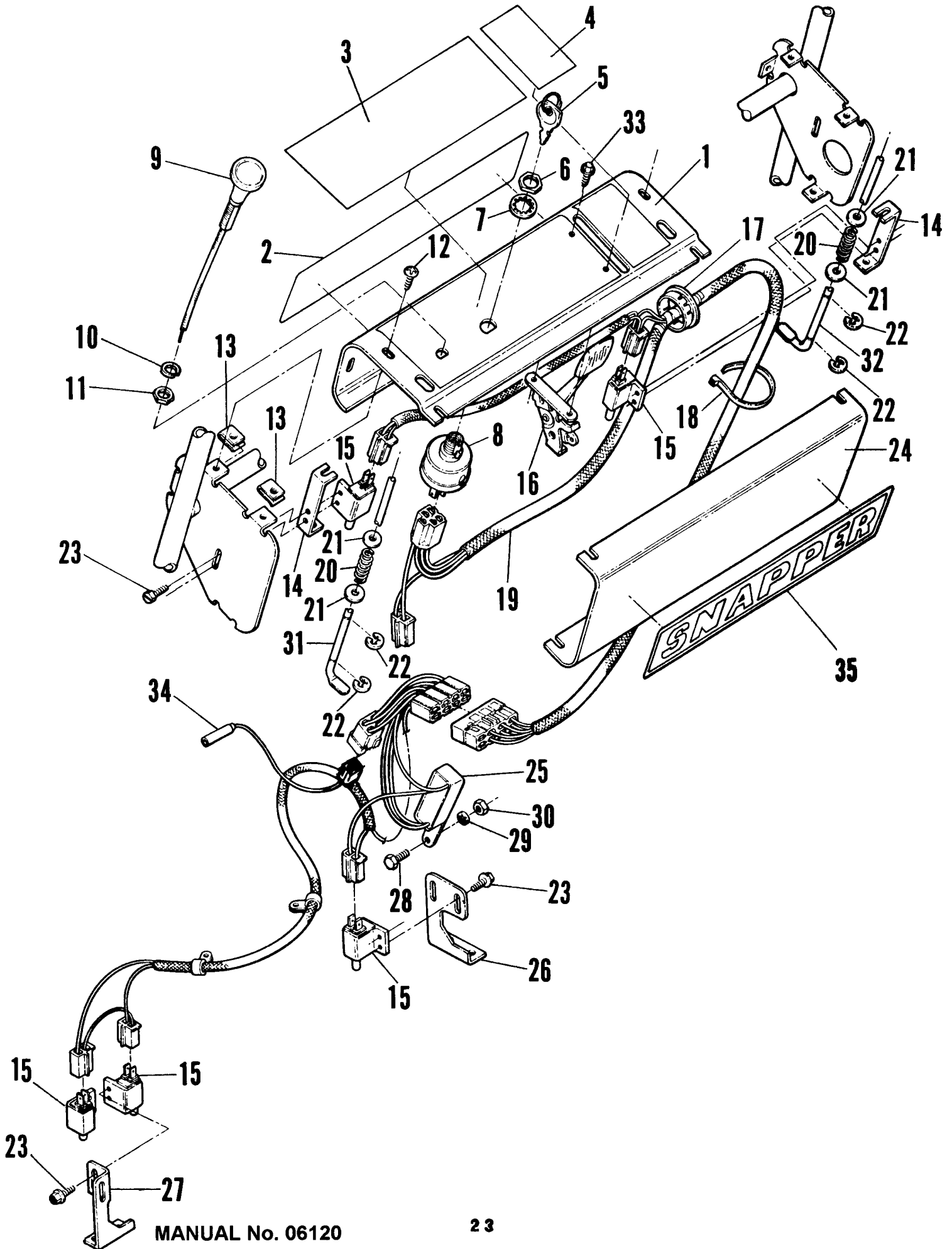
UPPER HANDLE, OPERATOR PRESENCE/ TRACTION LINKAGE



UPPER HANDLE, OPERATOR PRESENCE/ TRACTION LINKAGE

ITEM	PART NO.	DESCRIPTION
1	5-1802	HANDLE, Upper Weldment w/Decals
2	7-7857	LEVER, Operator Presence w/Grip (2)
3	7-7884	PIN, Clevis (2)
4	7-7886	BUSHING (4)
5	1-4734	NUT, Push (2)
6	7-6388	LATCH, Thumb w/Grip L.H.
7	7-6387	LATCH, Thumb w/Grip R.H.
8	9-0055	WASHER, Flat 1/4" SAE (4)
9	9-0761	NUT, Prevailing Torque 1/4 - 20 (2)
10	9-1003	SCREW, Hex Head Cap 1/4 - 20 x 1 3/4 (2)
11	7-6983	WASHER, Spring Wave 1/4" Dia. (2)
12	7-6488	GRIP, Handle (2)
13	7-7870	LEVER, Traction w/Grip (2)
14	7-7875	ROD, Traction (2)
15	7-6486	SWIVEL, Long (2)
16	7-6988	COTTER, Hairpin No. 2 (4)
17	7-7882	BUSHING, Snap
18	9-0563	SCREW, Hex Head Cap 3/8 - 16 x 1 (4)
19	7-6979	NUT, Nyloc Hex 3/8 - 16 (4)
20	7-6391	HANDLE, Lower
21	9-0143	SCREW, Hex Hed Cap 3/8 - 16 x 1 1/4 (2)
22	9-0118	WASHER, Lock 3/8 (2)
23	9-0254	WASHER, Lock 1/2" (8)
24	9-0258	NUT, Regular Hex 1/2 - 13 (8)
25	7-6430	BRACE, Handle (2)
26	9-0692	WASHER, Flat 5/16 Std. (4)

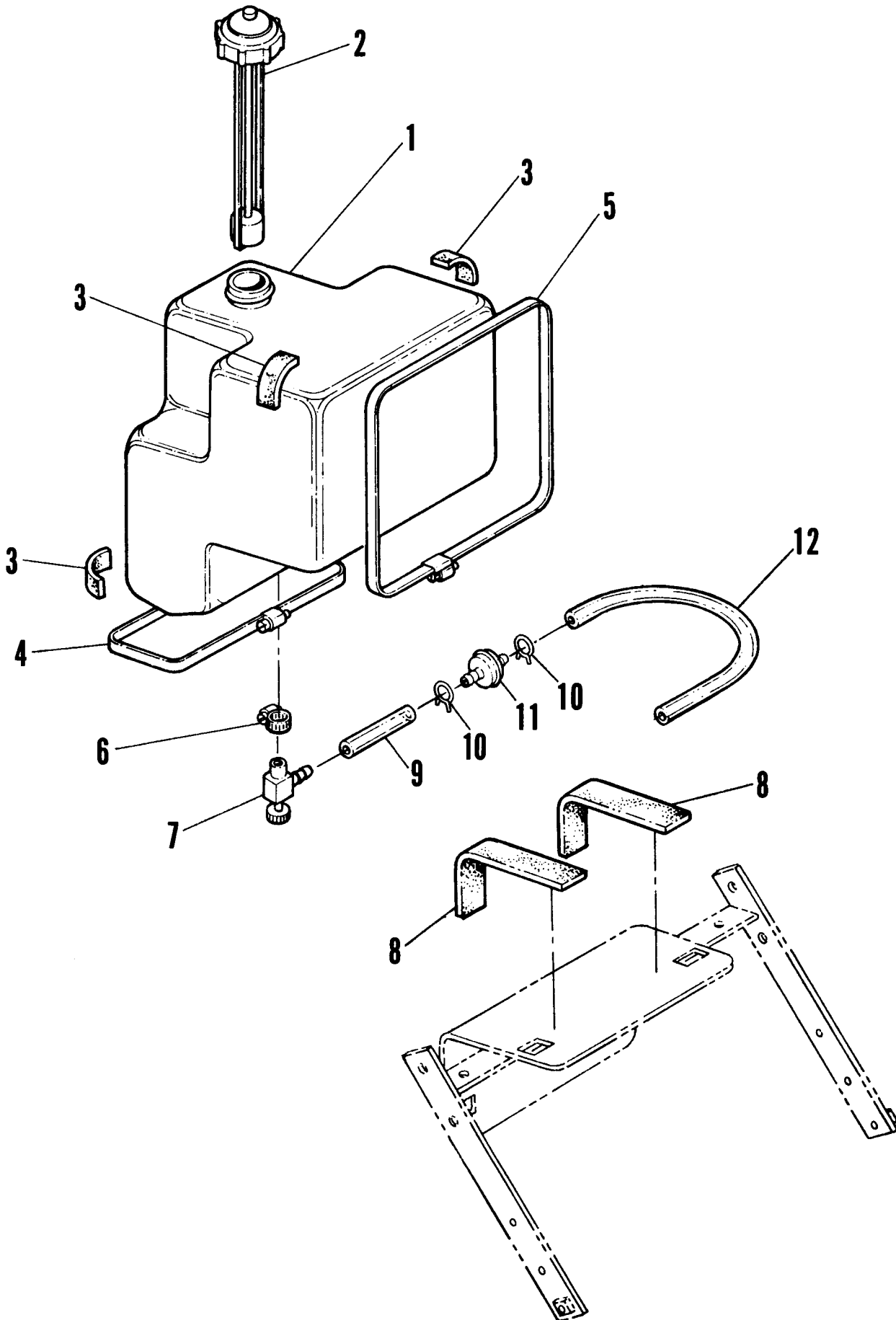
UPPER HANDLE CONSOLE/WIRING



UPPER HANDLE CONSOLE/WIRING

ITEM	PART NO.	DESCRIPTION
1	5-7646	PANEL, Control W/Decals (MY90)
2	1-9279	DECAL, "SNAPPER" (1) (MY90)
3	7-7872	DECAL, Control Panel
4	7-7910	DECAL, Caution
5	1-1138	KEY (2)
6	1-2685	NUT, Hex 5/8 - 32
7	9-0880	WASHER, Internal Tooth 5/8
8	1-8562	SWITCH, Key
9	1-8674	CABLE, Choke Assembly
10	9-0118	WASHER, Lock 3/8
11	9-0482	NUT, Hex Jam 3/8 - 24
12	7-6952	SCREW, Pan Head 10 - 24 x 5/8 (8)
13	1-5098	NUT, Clip (8)
14	7-7842	BRACKET, Switch (2)
15	1-9098	SWITCH, Operator Presence (5)
16	1-8675	CONTROL, Throttle w/Knob
17	7-7882	BUSHING, Snap
18	7-6856	TIE, Plastic Wire (3)
19	7-7829	HARNESS, Upper Wiring
20	7-7856	SPRING, Operator Presence (2)
21	9-0055	WASHER, Flat SAE 1/4 (6)
22	7-7874	E-Ring (6)
23	7-7873	SCREW, Thread Forming Hex Head 12-14 x 1/2 (10)
24	5-7648	COVER, Lower W/Decal (MY90)
25	7-7830	HARNESS, Module
26	2-3290	BRACKET, Switch Right
27	7-7865	BRACKET, Switch Left
28	9-0073	SCREW, Hex Head Cap 1/4-20 x 3/4
29	9-0053	WASHER, Internal Tooth Lock 1/4
30	7-6978	NUT, Nyloc Hex - 1/4 - 20
31	7-7841	LINKAGE, Operator Presence, Right
32	7-7840	LINKAGE, Operator Presence, Left
33	9-0307	SCREW, Self Tapping (2)
34	7-7833	HARNESS, Engine Kill (Briggs 8 & 12 hp)
	7-7831	HARNESS, Engine Kill (Kawasaki)
	5-1943	HARNESS, Engine Kill (Vanguard)
35	1-9295	LABEL, SNAPPER

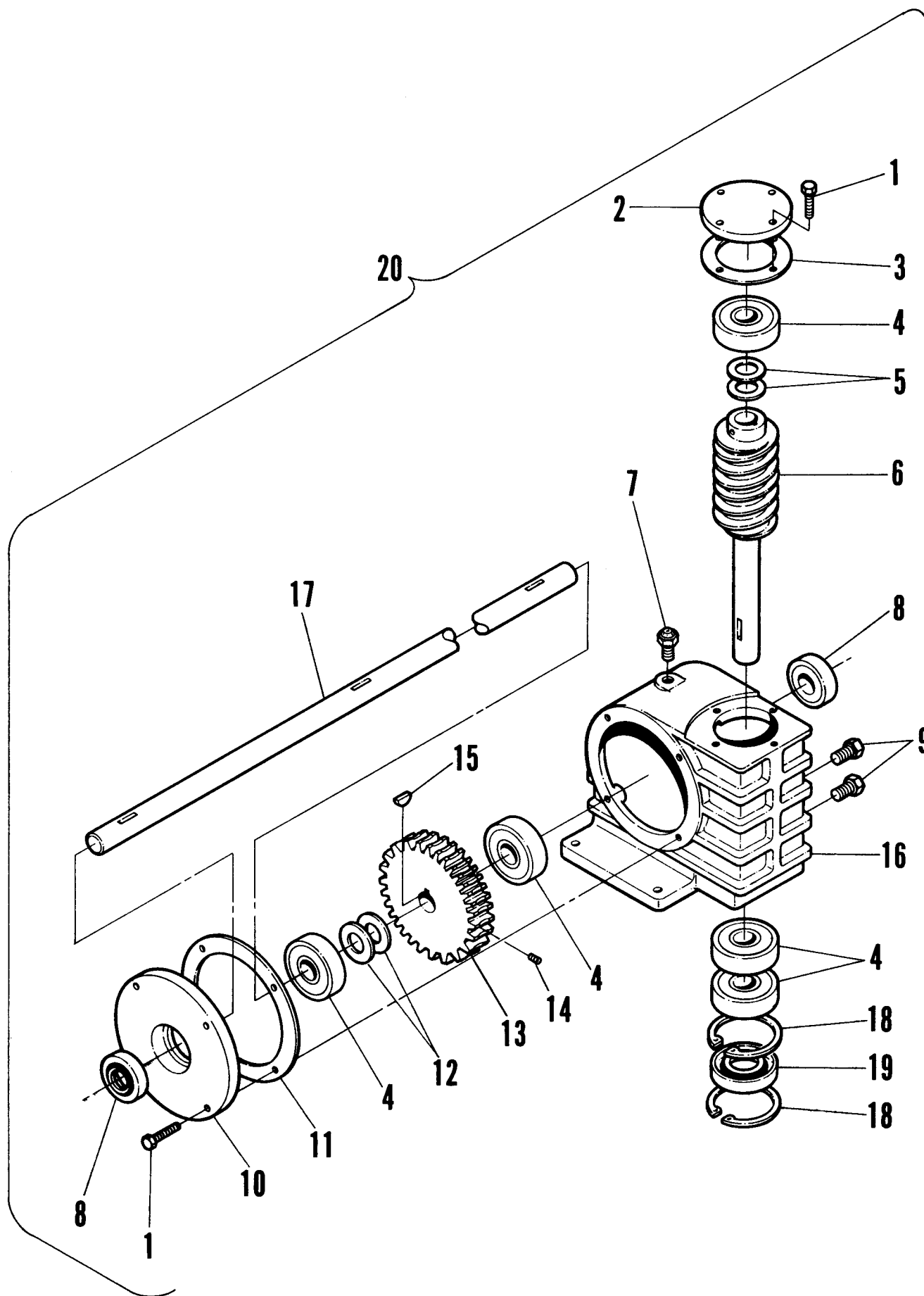
FUEL TANK ASSEMBLY



FUEL TANK ASSEMBLY

ITEM	PART NO.	DESCRIPTION
1	7-6393	TANK, Fuel w/Valve & Clamp
2	7-6535	CAP, Fuel W/Gauge
3	7-7345	PAD, Fuel Tank (4)
4	7-6562	BAND, Fuel Tank (Short)
5	7-6563	BAND, Fuel Tank (Long)
6	7-6966	CLAMP, Fuel Tank Valve
7	7-6491	VALVE, Fuel Shut-Off
8	7-6537	PAD, Fuel Tank Saddle (2)
9	7-7351	LINE, Fuel 3 1/2
10	1-2222	SPRING CLAMP, Gas Hose
11	1-4359	FILTER, Fuel
12	2-3479 2-2091	LINE, Fuel 16 (Kawasaki) LINE, Fuel 19 1/2 (Vanguard)

GEARBOX ASSEMBLY

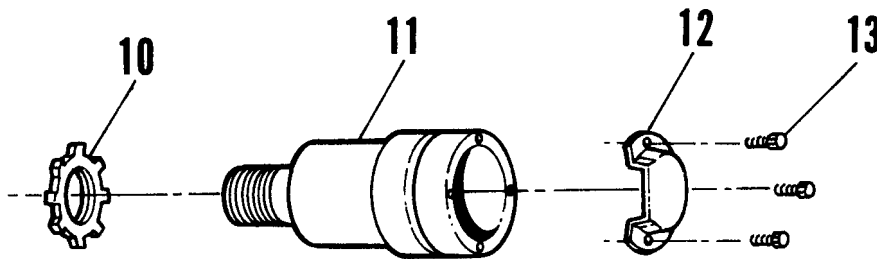
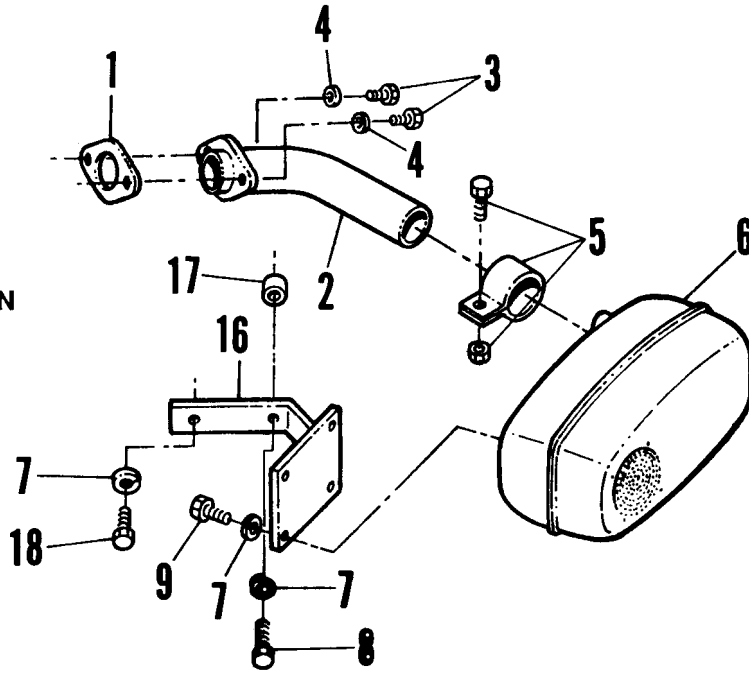


GEARBOX ASSEMBLY

ITEM	PART NO.	DESCRIPTION
1	9-0072	1/4 - 20 x 5/8 Hex Hd. Cap Screw (8)
2	7-7322	INPUT COVER, w/Brg. (77324)
3	7-7323	INPUT GASKET
4	1-4514	BEARING (5)
5	7-7325	SHIMS, 5/8 x 7/8 x .010 (AR)
6	5-7538	WORM, Assembly
7	7-7326	BREATHER
8	7-7327	SEAL, Output Shaft (2)
9	7-7684	PIPE PLUG 1/8 - 27 (2)
10	7-7328	OUTPUT COVER w/Brg. (77324)
11	7-7329	OUTPUT GASKET
12	7-7330	SHIMS, 5/8 x 7/8 x .005 (AR)
13	7-7331	GEAR
14	7-7680	1/4 - 20 x 3/8 Set Screw
15	1-0614	5/405 Woodruff Key
16	7-7332	GEAR CASE
17	7-7333	OUTPUT SHAFT
18	7-7335	SNAP RING (2)
19	7-7336	SEAL, Input
20	7-6380	GEARBOX, Complete Assembly

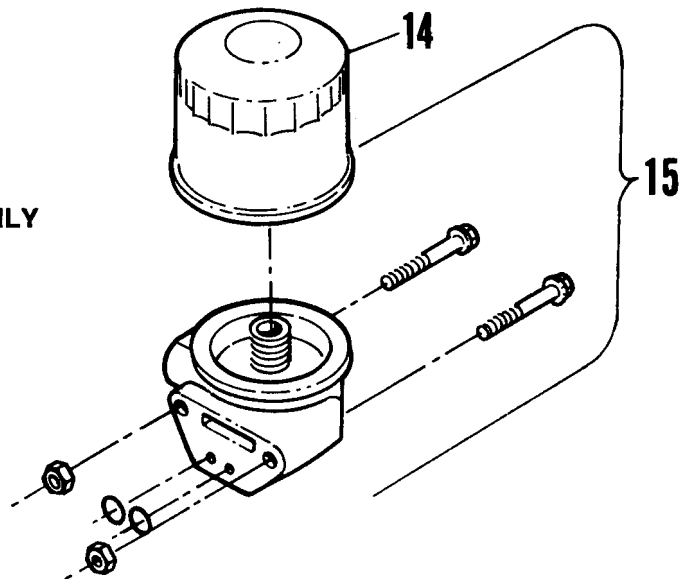
ENGINE COMPONENTS

FOR BRIGGS & STRATTON
12 H.P. ENGINE ONLY



FOR BRIGGS & STRATTON
8 H.P. ENGINE ONLY

FOR KAWASAKI ENGINES ONLY



ENGINE COMPONENTS

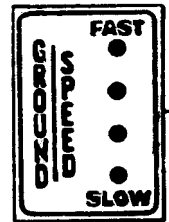
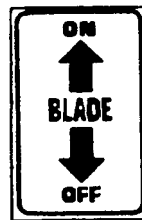
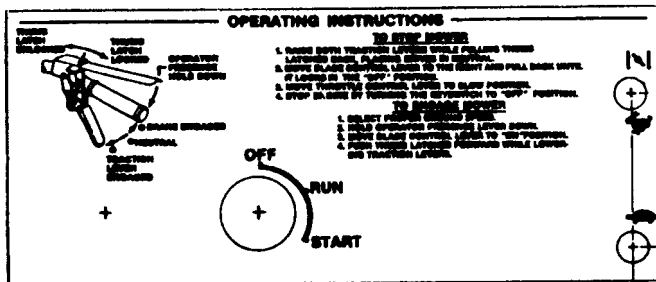
ITEM	PART NO.	DESCRIPTION
1	7-6570	GASKET, Exhaust
2	7-6569	TUBE, Exhaust Assembly
3	7-6934	SCREW, Hex Head Cap 5/16" - 18 x 3/4" (2)
4	9-0187	WASHER, Lock 5/16"
5	7-6503	CLAMP, Muffler w/Bolt & Nut
6	7-6507	MUFFLER, Super Lo-Tone (12 hp Briggs)
7	9-0052	WASHER, Lock 1/4" (6)
8	7-6932	SCREW, Hex Head Cap 1/4" x 20 x 3/4"
9	9-0072	SCREW, Hex Head Cap 1/4" x 20 x 5/8" (4)
10	7-7716	RING, Locking
11	7-7717	MUFFLER, Round Lo-Tone (8 hp Briggs)
12	7-6355	DEFLECTOR, Side Out
13	7-7690	SCREW, Muffler Deflector (3)
14	7-7355	OIL FILTER (12.5 hp Kawasaki)
15	7-7288	OIL FILTER KIT (12.5 hp Kawasaki)
16	7-6384	BRACKET, Muffler Mount (12 hp Briggs)
17	7-7762	SPACER, Muffler Bracket
18	9-0548	SCREW, Hex Head Cap 1/4 - 20 x 1

SNAPPER®

32 inch — 1

36 inch — 2

48 inch — 3



CAUTION ⚠

1. READ INSTRUCTION MANUAL BEFORE OPERATING EQUIPMENT.
2. BE SURE THE OPERATING CONTROLS ARE LOCKED IN NEUTRAL BEFORE STARTING THE ENGINE.
3. MOWER SHALL NOT BE USED UNLESS ALL GUARDS ARE BOLTED IN PLACE.
4. KEEP FEET, HANDS, & ALL OBJECTS FROM UNDER DECK. KEEP PEOPLE AND PETS AT A SAFE DISTANCE.
5. USE CAUTION ON SLOPES.
6. BEFORE LEAVING OPERATOR'S POSITION:
 - A. LOCK DRIVE LEVERS IN NEUTRAL WITH LATCHES.
 - B. DISENGAGE ATTACHMENT CLUTCH.
 - C. SHUT OFF ENGINE.
7. WHEN ADJUSTING WHEELS BE SURE ENGINE IS OFF.
8. DISCONNECT SPARK PLUG WIRE BEFORE SERVICING OR CLEANING.
9. DO NOT ADD FUEL WHILE ENGINE IS WARM OR RUNNING.

74493

CAUTION ⚠

- OPERATOR TRAINING REQUIRED.
- READ OPERATORS MANUAL PRIOR TO RUNNING MOWER.
- KNOW CONTROLS BEFORE OPERATING MOWER.
- KEEP ALL SAFETY DEVICES AND SHIELDS IN PLACE.
- CLEAR MOWING AREA OF WIRE, ROCKS, AND OTHER OBJECTS THAT COULD CAUSE INJURY IF THROWN BY BLADE.
- STOP ENGINE BEFORE YOU LEAVE THE OPERATORS POSITION.



CAUTION ⚠

THE MOWER SHALL NOT BE OPERATED WITHOUT EITHER THE ENTIRE GRASS CATCHER OR THE CHUTE DEFLECTOR BOLTED IN PLACE. DO NOT REMOVE GRASS CATCHER UNTIL BLADE OR BLADES HAVE STOPPED.

32,36,48 DECAL KIT FOR MODEL YEAR 1990 P/N 60952

ITEM	PART NO.	DESCRIPTION
1	2-3842	DECAL, 32 inch
2	2-3843	DECAL, 36 inch
3	2-3844	DECAL, 48 inch
4	1-9279 1-9295	SNAPPER, Medallion LABEL, SNAPPER
5	7-6533	CAUTION Decal
6	1-3010	CAUTION CPSC Decal
7	7-7912	BLADE Decal
8	7-7911	GROUND SPEED Decal
9	7-7872	CONTROL PANEL Decal
10	7-7910	CAUTION Decal
11	1-8956	CAUTION Decal
12	1-9293	DECAL, SNAPPER
13	2-3845	DECAL, STRIPE

Parts Manual for

SNAPPER[®]

32", 36", & 48" COMMERCIAL MOWERS

MODEL NUMBERS:

W321252KW

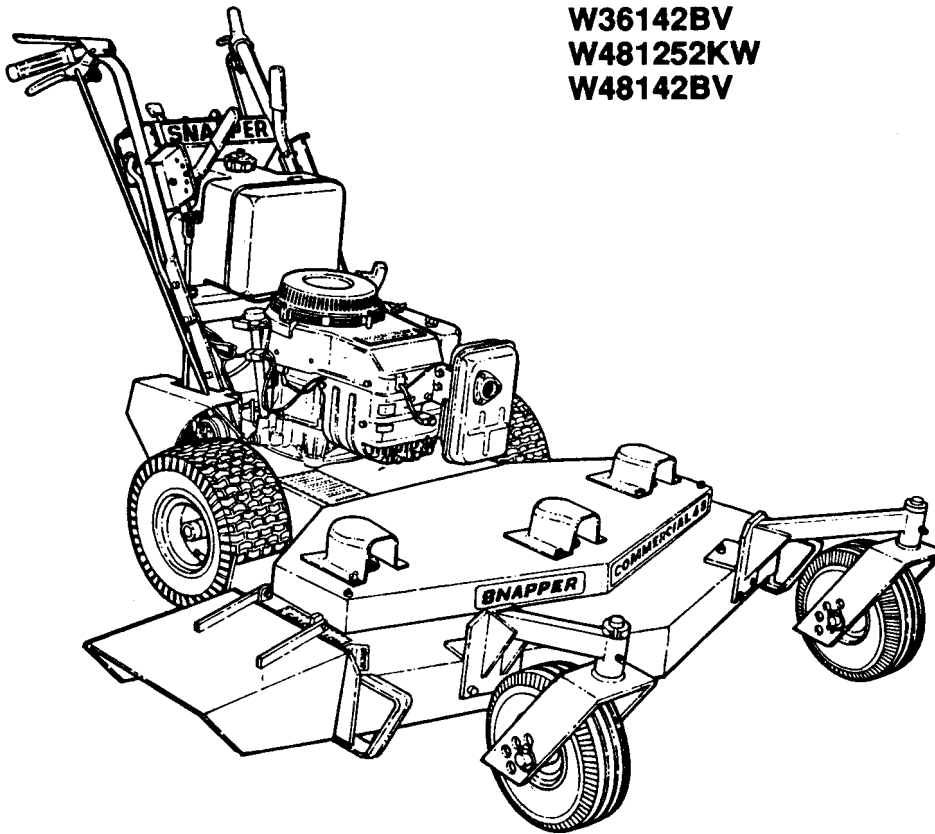
W32142BV

W361252KW

W36142BV

W481252KW

W48142BV



IT IS THE POLICY OF SNAPPER TO IMPROVE ITS PRODUCTS WHENEVER IT IS POSSIBLE AND PRACTICAL TO DO SO. WE RESERVE THE RIGHT TO MAKE CHANGES OR ADD IMPROVEMENTS AT ANY TIME WITHOUT INCURRING ANY OBLIGATION TO MAKE SUCH CHANGES ON PRODUCTS MANUFACTURED PREVIOUSLY.

SNAPPER[®] McDonough, GA., 30253 U.S.A.