

Parts Manual for

SNAPPER®

MODEL NUMBERS:

W32080

W36120

W48120

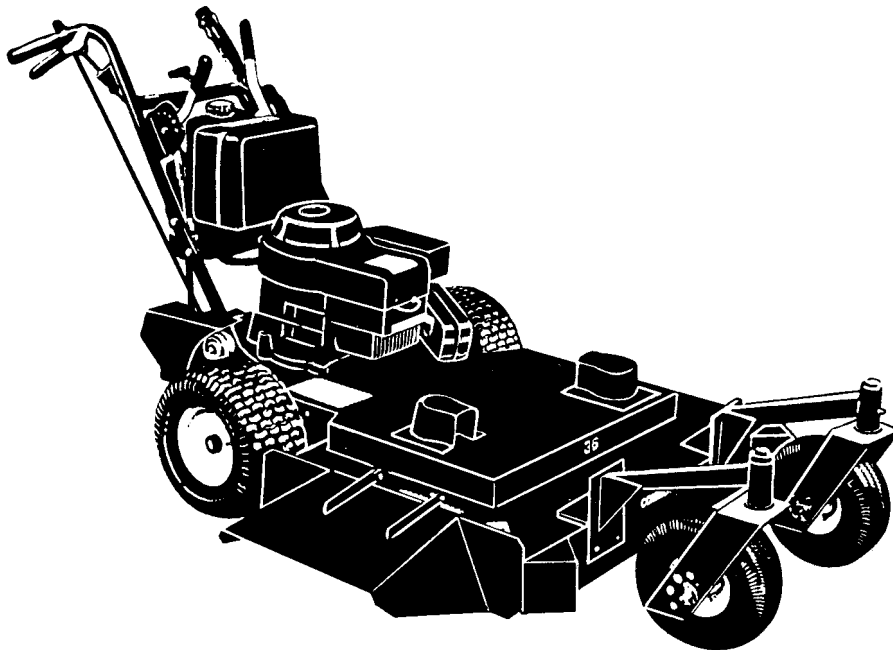
W32120

W36120K

W48120K

W32120K

W48140S



32", 36", & 48" **COMMERCIAL MOWERS**

SNAPPER POWER EQUIPMENT

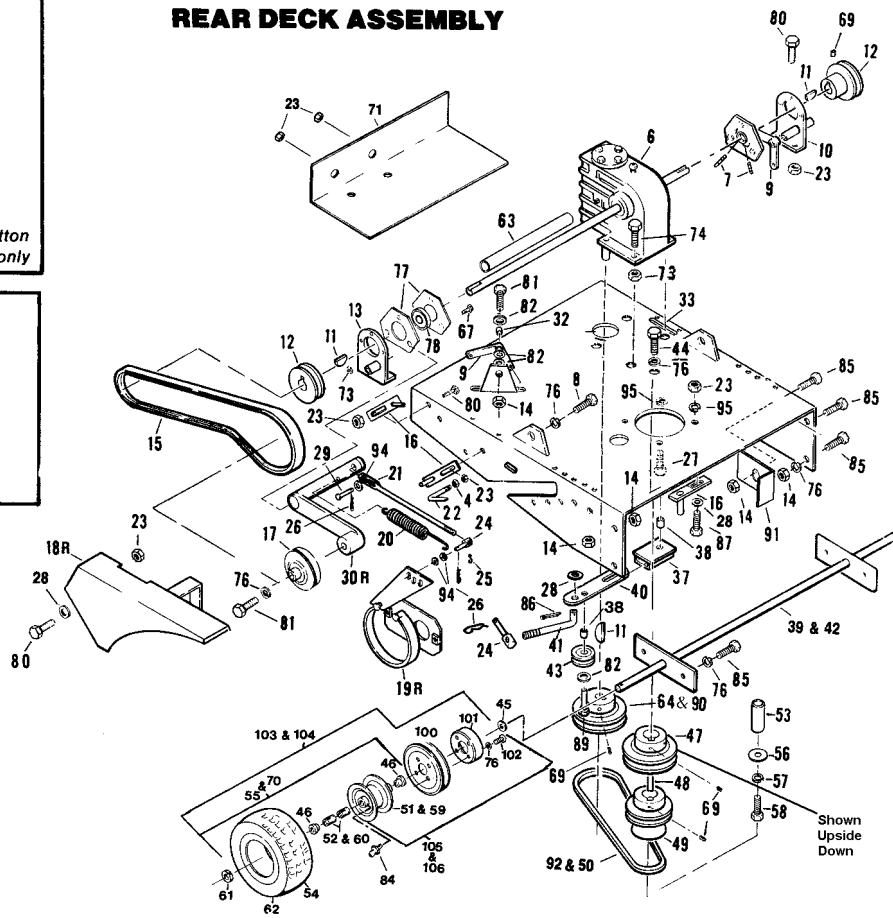
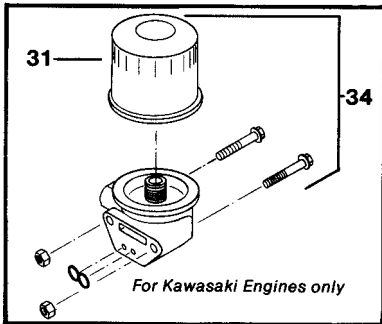
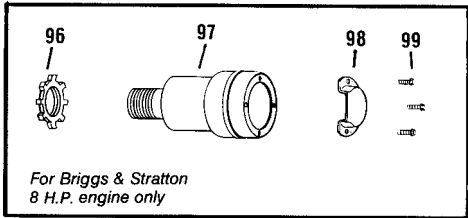
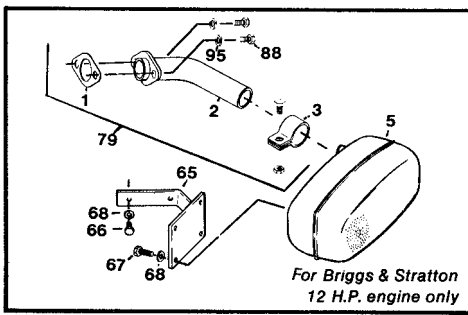
McDonough, Georgia 30253

A Division of Fuqua Industries



(12/87) Manual #06119

REAR DECK ASSEMBLY

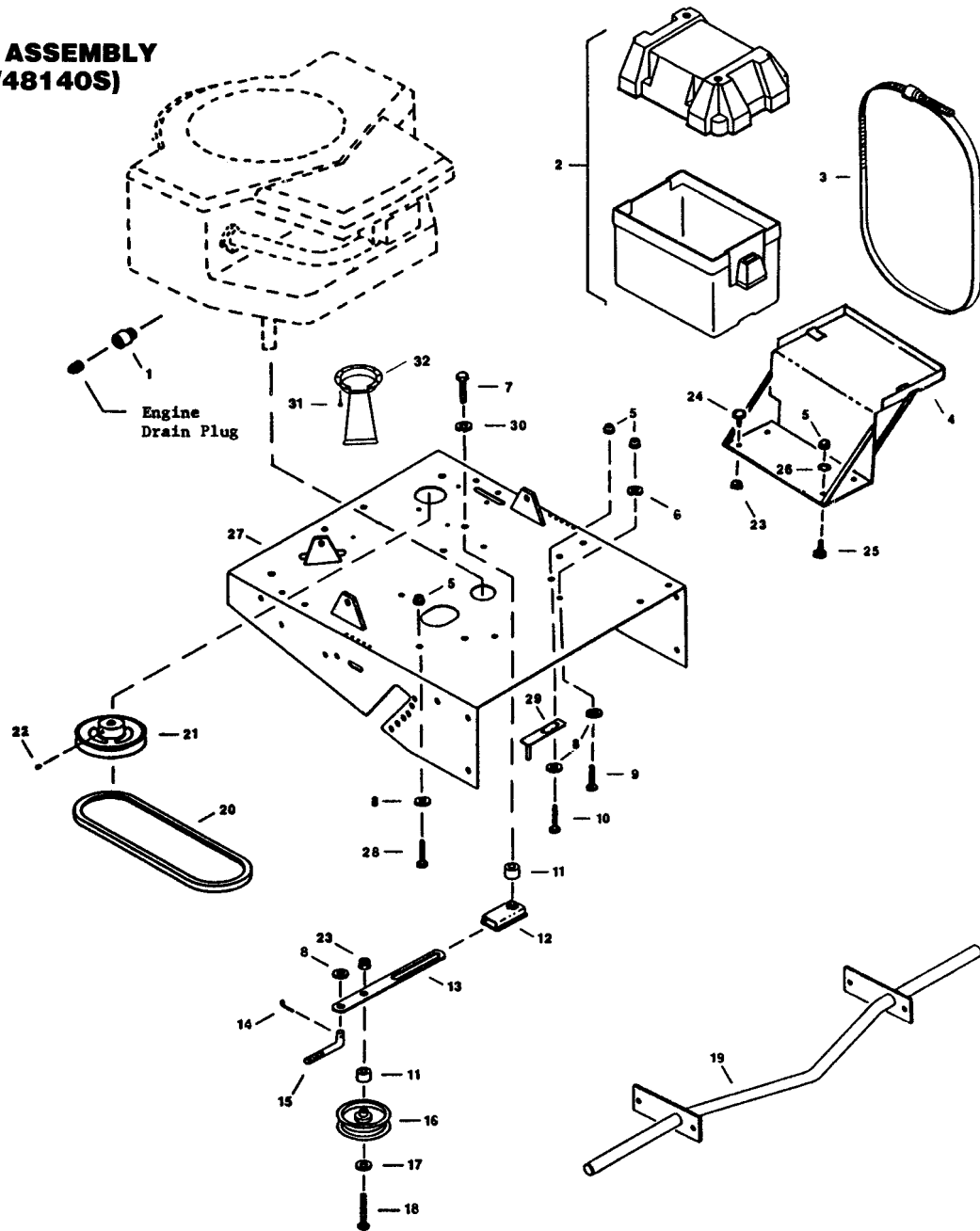


KEY NO.	PART NO.	QTY.	DESCRIPTION
1	76570	1	Exhaust Gasket
2	76569	1	Exhaust Tube Assy.
3	76503	1	Muffler Clamp w/Bolt & Nut
4	90585	2	5/16"-18 Whizlock Nut
5	76507	1	Super Lo-Tone Muffler
6	76380	1	Worm Gear Reduction Box
7	77679	4	#10-32x1/4" Nyloc Knurled Cup Point Set Screw
8	76927	2	3/8"-16x1-1/4" Hex Hd. Cap Screw
9	76420	2	Bell Crank
10	76373	1	Bracket Support-Left
11	76992	3	Woodruff Key #61/605
12	19139	2	Pulley w/Set Screw (76956)
13	76372	1	Bracket Support-Right
14	76979	8	3/8"-16 Nyloc Hex Nut
15	76497	2	Cog Belt
16	76673	7	Belt Guide
17	76520	2	Idler Pulley
18R	76368	1	Fender-Right (Shown)
18L	76369	1	Fender-Left (Not Shown)
19R	76339	1	Brake Assy.-Right (Shown)
19L	76340	1	Brake Assy.-Left (Not Shown)
20	76439	2	Extension Spring
21	76431	2	Forward Motion Linkage
22	76446	2	Scraper
23	90717	16	5/16"-18 Nyloc Hex Nut
24	76434	3	Adjustment Swivel-Short
25	76487	2	"S" Hook
26	76988	5	#2 Hairpin Cotter
27	76937	1	(Briggs) 5/16"-18x2" Hex Hd. Cap Screw-Grade 5
27	76973	1	(Kaw) M8x1.25x50 Metric Hex Hd. Cap Screw-Grade 5
28	90692	6	5/16" Std. Flat Washer (Briggs & Stratton Engine Only)
28	90692	5	5/16" Std. Flat Washer (Kawasaki Engine Only)
29	76486	2	Adjustment Swivel-Long
30R	76447	1	Idler Arm-Right (Shown)
30L	76448	1	Idler Arm-Left (Not Shown)
31	77355	1	Oil Filter (Kawasaki Engine Only)
32	76453	1	Powdered Metal Bearing
33	77278	1	Rear Deck w/Decals
34	77288	1	Oil Filter Kit (Kawasaki Engine Only)
37	76374	1	Bracket Slide
38	76718	2	Spacer
39	76377	1	Axle Assembly (36" & 48")
40	76429	1	Slide Bar
41	76432	1	Variable Adjustment Rod
42	76332	1	Axle Assembly (32" Only)
43	76500	1	Idler Pulley
44	90588	1	3/8"-16x2" Hex Hd. Cap Screw-Grade 5
45	76508	2	Spacer
46	77312	4	Flange Bearing
47	76398	1	Pulley w/Set Screws (76956)
48	76991	1	1/4" Sq.x5" Machine Key
49	76501	1	Variable Speed Pulley w/Set Screw (76956)
50	76498	1	Transmission Belt (32" & 36")
51	77290	2	Wheel/Flange Assy. (36" & 48")
52	77313	4	Roller Bearing (36" & 48")
53	76571	1	Engine Shaft Spacer

KEY NO.	PART NO.	QTY.	DESCRIPTION
54	77310	2	2 Ply Turfmaster Tire (36" & 48")
55	76407	2	Tire Assy. w/Brgs. (36" & 48")
56	76984	1	7/16" Std. Flat Washer
57	90247	1	7/16" Lock Washer
58	76944	1	(Briggs) 7/16"-20x3-1/2" Hex Hd. Cap Screw-Grade 5
58	76974	1	M10x1.5x90 Metric Hex Hd. Cap Screw-Grade 5 (Kawasaki Engine Only)
59	77194	2	Wheel/Flange Assy. (32" Only)
60	77221	4	Roller Bearing (32" Only)
61	77000	2	7/8" Clamp Collar
62	77222	2	2 Ply Turfmaster Tire (32" Only)
63	76521	1	Transmission Shaft Cover
64	76397	1	32"-36" Transmission Pulley w/Set Screws (76956)
65	76384	1	Muffler Bracket
66	76932	2	1/4"-20x3/4" Hex Hd. Cap Screw-Grade 5
67	90072	10	1/4"-20x5/8" Hex Hd. Cap Screw
68	90052	6	1/4" Lock Washer
69	76956	7	5/16"-18x3/8" Set Screw
70	76335	2	Tire Assy. w/Brgs. (32" Only)
71	76390	1	Protective Cover
73	76978	10	1/4"-20 Nyloc Hex Nut
74	90548	4	1/4"-20x1" Hex Hd. Cap Screw
76	90118	23	3/8" Lock Washer
77	76505	4	Bearing Flange
78	76504	2	Bearing w/attached Collar & 2 Set Screws (77679)
79	77289	1	Exhaust Tube Kit
80	76925	8	5/16"-18x3/4" Hex Hd. Cap Screw
81	90730	3	3/8"-16x1-3/4" Hex Hd. Cap Screw-Grade 5
82	90517	4	3/8" Std. Flat Washer
84	76998	2	1/4"-28 Straight Zerk
85	90563	10	3/8"-16x1" Hex Hd. Cap Screw-Grade 5
86	90555	1	3/32" x 1/2" Cotter Pin
87	76936	3	5/16"-18x1-3/4" Hex Hd. Cap Screw-Grade 5 (Briggs & Stratton Engine Only)
87	77692	3	M8x1.25x25 Metric Hex Hd. Tap Bolt-Grade 5 (Kawasaki Engine Only)
88	76934	2	5/16"-18x3/4" Hex Hd. Cap Screw-Grade 5
89	90629	1	3/8"-16x2-1/4" Hex Hd. Cap Screw-Grade 5
90	76649	1	48" Transmission Pulley w/Set Screws (76956)
91	76530	1	Rod Stop (32" & 36")
92	76680	1	Transmission Belt (48" Only)
94	76531	6	Brake Linkage Washer
95	90187	6	5/16" Lock Washer
96	77716	1	Locking Ring
97	77717	1	Round Lo-Tone Muffler
98	76355	1	Side Out Deflector
99	77690	3	Screw
100	76522	2	Sheave
101	76440	2	Brake Drum
102	76942	8	3/8"-24x5/8" Hex Hd. Cap Screw-Grade 5
103	76336	2	Wheel/Tire Assy. Complete (32" Only)
104	76409	2	Wheel/Tire Assy. Complete (36" & 48")
105	77195	2	Wheel w/Sheave and Drum Assy. (32" Only)
106	77292	2	Wheel w/Sheave and Drum Assy. (36" & 48")

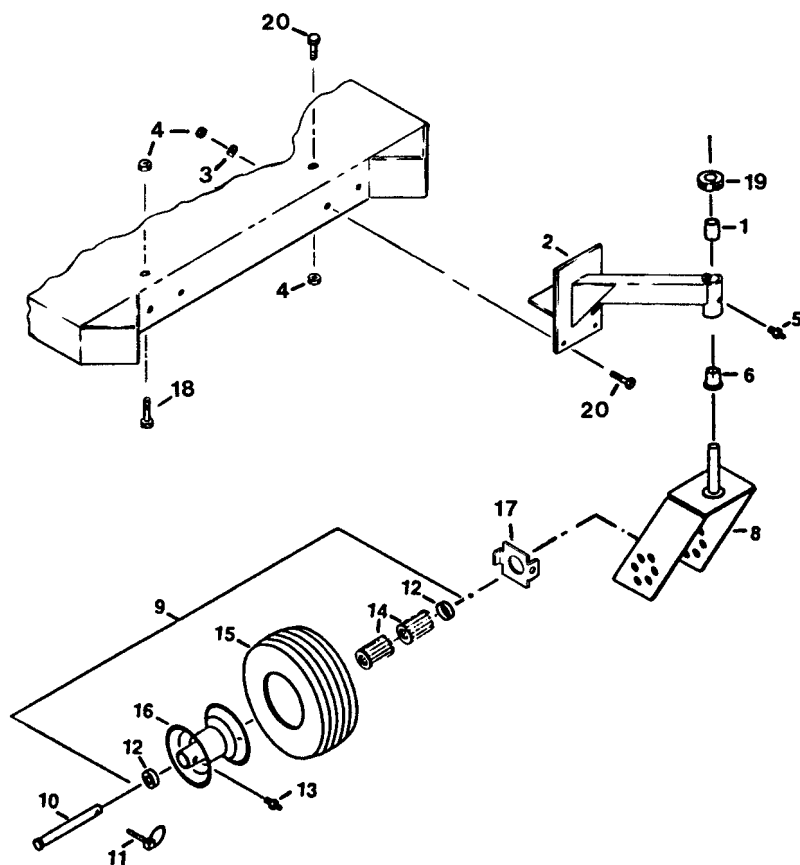
Shown
Upside
Down

REAR DECK ASSEMBLY (Model W48140S)



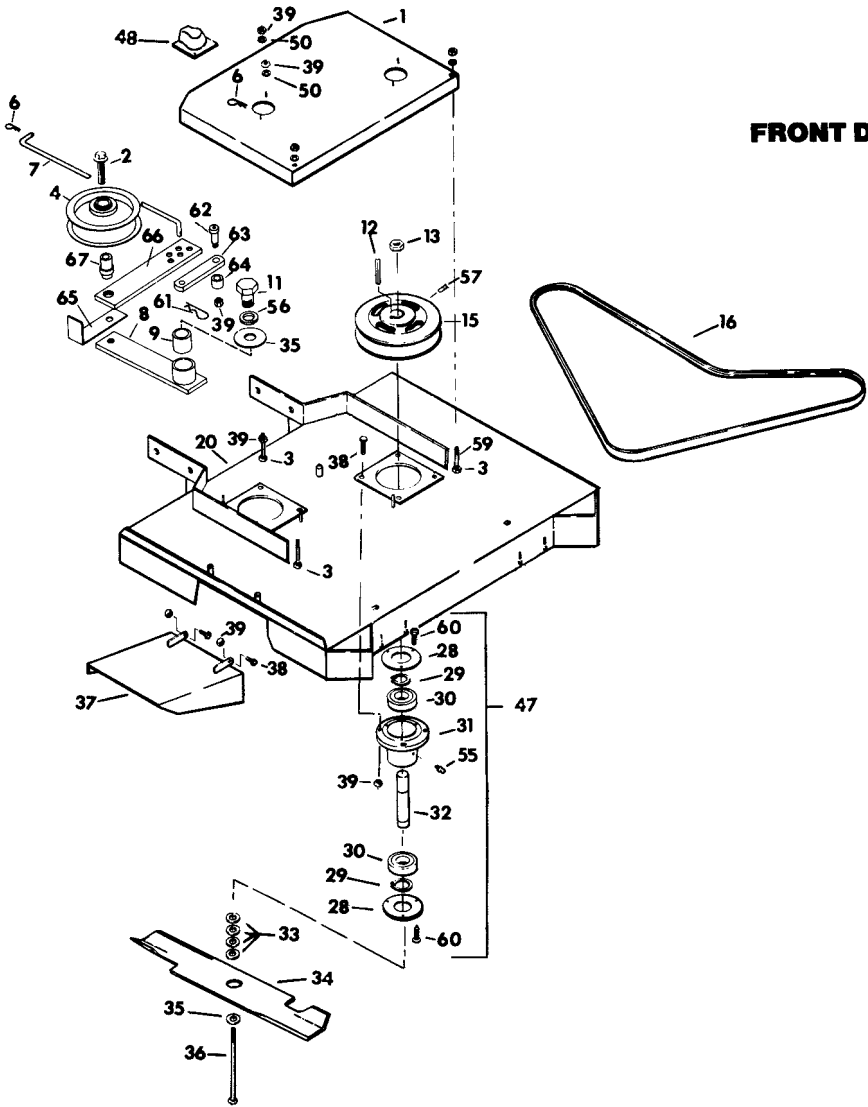
KEY NO.	PART NO.	QTY.	DESCRIPTION	KEY NO.	PART NO.	QTY.	DESCRIPTION
1	76722	1	Oil Drain Extension	17	90517	1	3/8" Std. Flat Washer
2	76823	1	Battery Case	18	76970	1	3/8"-16x2-1/2" Hex Hd. Cap Screw-Grade 5
3	76714	1	Hose Clamp	19	76659	1	Axle
4	76654	1	Battery Stand	20	76717	1	Belt
5	90717	9	5/16"-18 Nyloc Hex Nut	21	76397	1	Transmission Pulley w/Set Screws (76956)
6	90187	4	5/16" Lock Washer	22	76956	2	5/16"-18x3/8" Nyloc Knurled Cup Point Set Screw
7	90730	1	3/8"-16x1-3/4" Hex Hd. Cap Screw-Grade 5	23	76979	4	3/8"-16 Nyloc Hex Nut
8	90692	9	5/16" Std. Flat Washer	24	90563	3	3/8"-16x1" Hex Hd. Cap Screw-Grade 5
9	76935	4	5/16"-18x1-1/2" Hex Hd. Cap Screw-Grade 5	25	76926	1	5/16"-18x1" Hex Hd. Cap Screw
10	76925	3	5/16"-18x3/4" Hex Hd. Cap Screw	26	76985	1	5/16" External Tooth Lock Washer
11	76718	2	Spacer	27	76655	1	Rear Deck
12	76374	1	Bracket Slide	28	76948	1	5/16"-18x1-1/4" Hex Hd. Tap Bolt
13	76429	1	Slide Bar	29	76673	3	Belt Guide
14	90555	1	3/32" x 1/2" Cotter Pin	30	90118	1	3/8" Lock Washer
15	76432	1	Variable Adjustment Rod	31	77690	3	Screw
16	76500	1	Idler Pulley	32	76824	1	Muffler Deflector

FRONT WHEELS



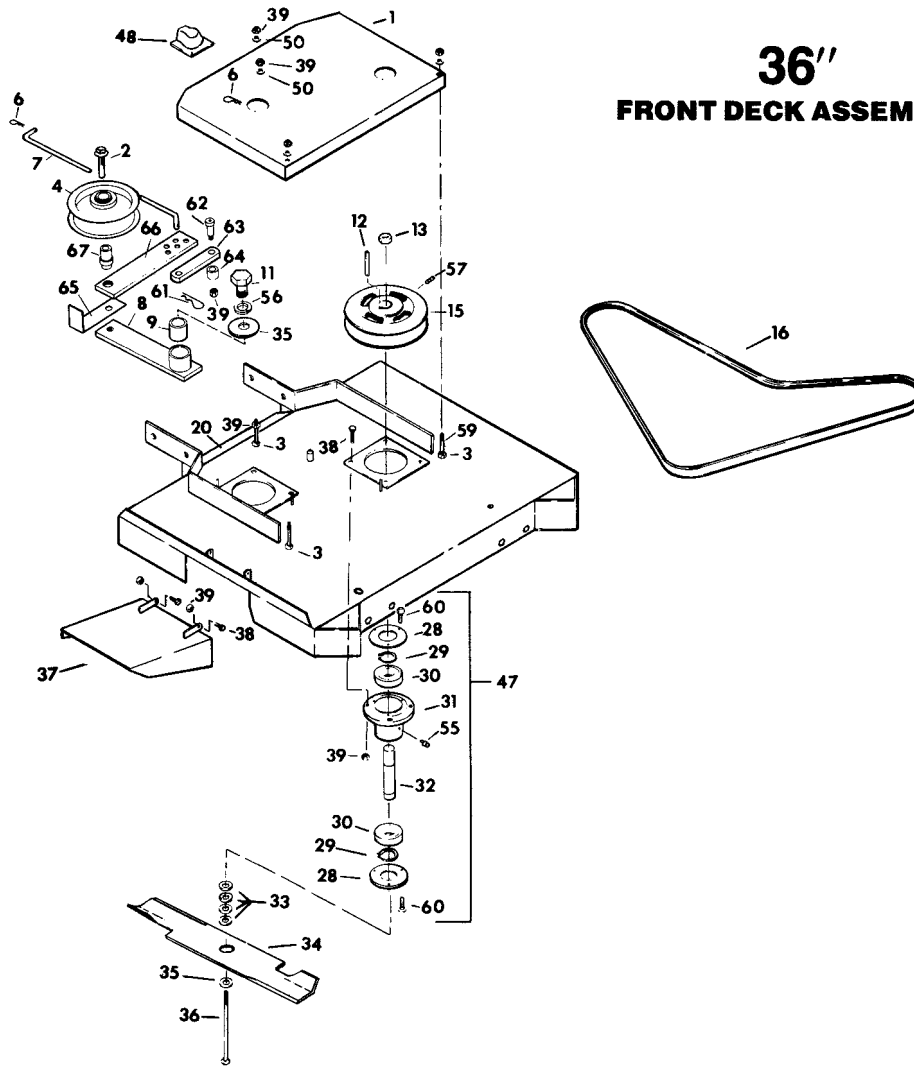
KEY NO.	PART NO.	QTY.	DESCRIPTION
1.....	76515.....	2.....	Straight Bearing
2.....	76399.....	2.....	Caster Arm w/Brgs. (76514 & 76515)
3.....	90517.....	4.....	3/8" Std. Flat Washer
4.....	76979.....	6.....	3/8"-16 Nyloc Hex Nut
5.....	76997.....	2.....	1/8" NPT Straight Zerk
6.....	76514.....	2.....	Flange Thrust Bearing
8.....	76401.....	2.....	Swivel
9.....	76408.....	2.....	Tire Assy. Complete
10.....	76549.....	2.....	Axle
11.....	76967.....	2.....	3/16" Dia. Linch Pin
12.....	77356.....	4.....	1-1/2" I.D. Wheel Side Cap for 1-1/2" O.D. Wheel Hub
12.....	77354.....	4.....	1-5/8" I.D. Wheel Side Cap for 1-5/8" O.D. Wheel Hub
13.....	76998.....	2.....	1/16" NPT Straight Zerk
14.....	77353.....	4.....	Roller Bearing
15.....	77346.....	2.....	Tire
16.....	77350.....	2.....	Rim w/Valve, Cap, & Zerk
17.....	77720.....	2.....	Tab Washer
18.....	76949.....	1.....	3/8"-16x1-3/4" Hex Hd. Tap Bolt
19.....	77000.....	2.....	7/8" Clamp Collar
20.....	90563.....	5.....	3/8"-16x1" Hex Hd. Cap Screw-Grade 5

32" FRONT DECK ASSEMBLY



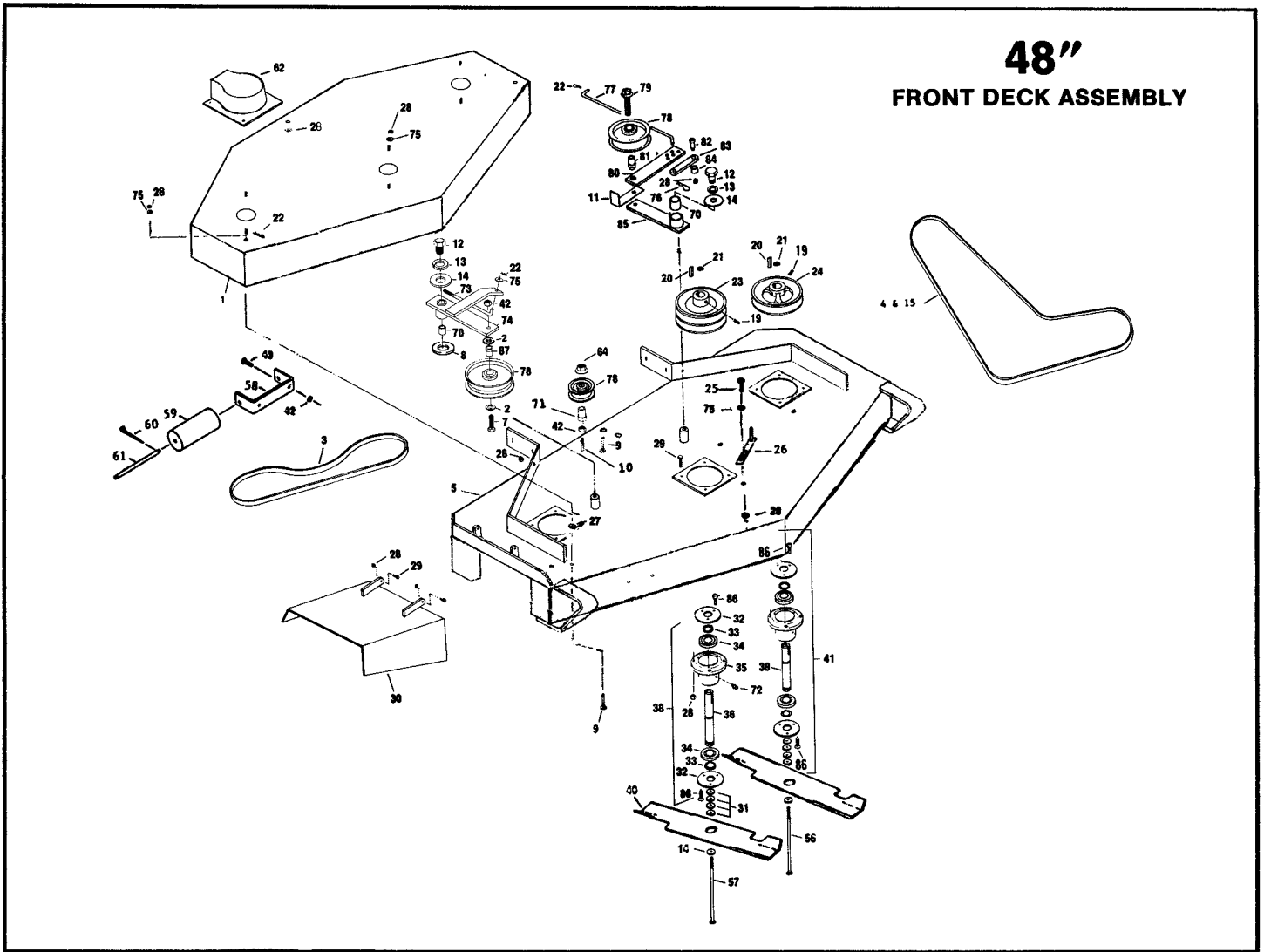
KEY NO.	PART NO.	QTY.	DESCRIPTION	KEY NO.	PART NO.	QTY.	DESCRIPTION
1	77193	1	Belt Shield w/Decal	34	77378	2	Optional (.250") Ultra High Lift Blade-16" Long
2	76957	1	3/8"-16x1-3/4" Whizlock Bolt	35	76982	3	5/8" S.A.E. Washer
3	90585	3	5/16"-18 Whizlock Nut	36	76946	2	5/8"-18x7-1/2" Hex Hd. Cap Screw-Grade 5
4	76688	1	Heavy Duty Idler Pulley	37	76382	1	Chute Assembly
6	76988	3	#2 Hairpin Cotter	38	76926	10	5/16"-18x1" Hex Hd. Cap Screw
7	76523	1	Lower Blade Drive Linkage	39	90717	19	5/16"-18 Nyloc Hex Nut
8	76386	1	Idler Arm Assembly Complete w/Brg. (76452)	47	76379	2	Complete Cutter Housing Assembly
9	76452	1	Oilite Bearing	48	76524	2	Shaft Guard
11	76930	1	5/8"-11x1" Hex Hd. Cap Screw	50	90692	5	5/16" Std. Flat Washer
12	12757	2	1/4" Sq.x1-1/4" Machine Key	55	76997	2	1/8" NPT Straight Zerk
13	76980	2	5/8"-18 Regular Hex Nut	56	90333	1	5/8" Lock Washer
15	76398	2	Pulley w/Set Screws (76956)	57	76956	4	5/16"-18x3/8" Nyloc Knurled Cup Point Set Screw
16	76353	1	Belt	59	76969	3	5/16"-18x3-1/4" Hex Hd. Tap Bolt-Grade 5
20	77192	1	Front Deck w/Decals	60	76951	12	#10-24x3/8" Pan Hd. Slit. Mach. Screw
21	90563	1	3/8"-16x1" Hex Hd. Cap Screw-Grade 5	61	76989	1	#4 Hairpin Cotter
28	76419	4	Cutter Housing Cap	62	77001	1	3/8"x3/4" Knurled Socket Hd. Shoulder Bolt
29	76511	4	Snap Ring	63	76687	1	Assist Arm
30	76510	4	Cutter Housing Bearing	64	76689	1	Spacer
31	77304	2	Cutter Housing	65	76681	1	Belt Snubber
32	77305	2	Cutter Spindle	66	76686	1	Tightening Arm
33	76436	8	Blade Spacers	67	76694	1	Engagement Flange Bushing
34	76675	2	(.164") Ultra High Lift Blade-16" Long	--	77191	1	32" Decal Package

36" FRONT DECK ASSEMBLY



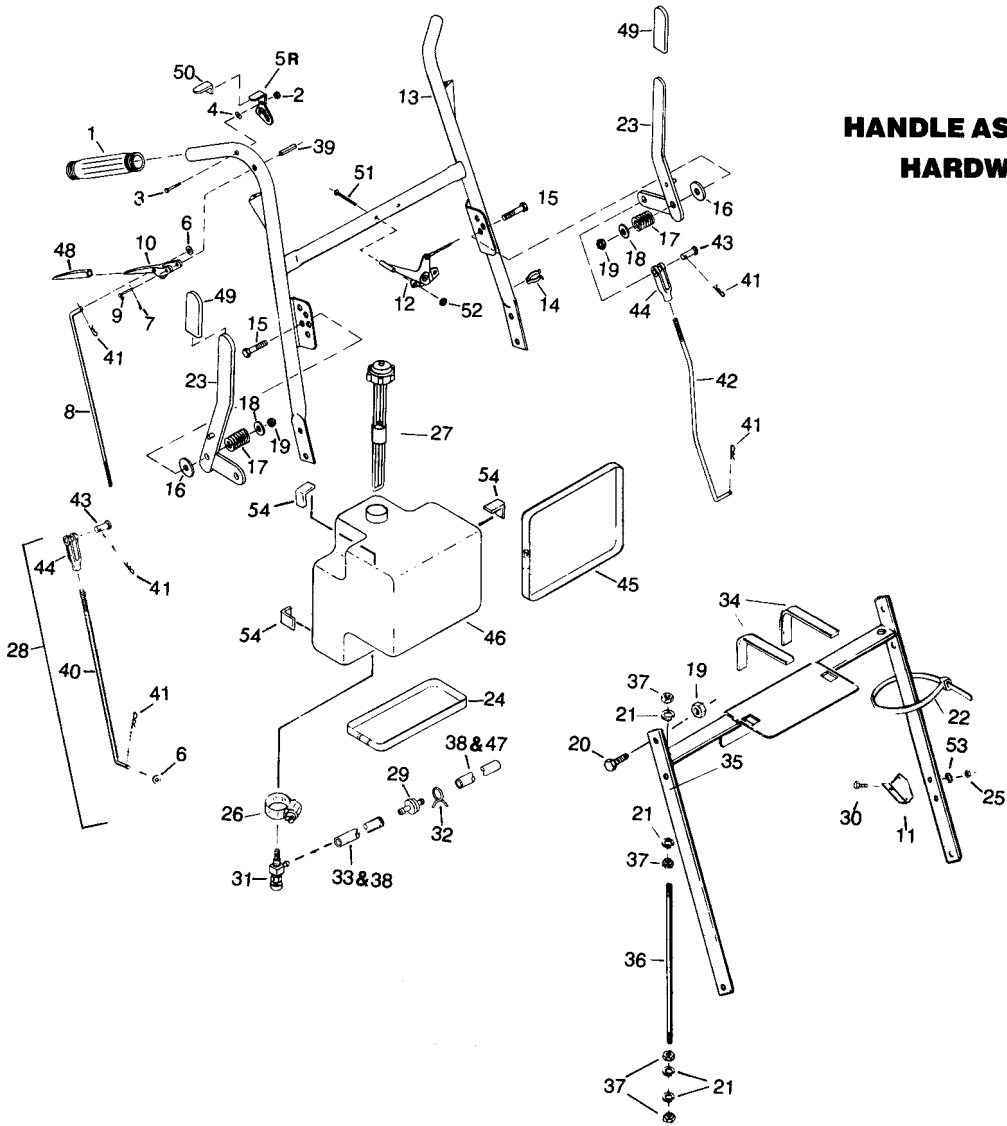
KEY NO.	PART NO.	QTY.	DESCRIPTION	KEY NO.	PART NO.	QTY.	DESCRIPTION
1	77280	1	Belt Shield w/Decal	35	76982	3	5/8" S.A.E. Washer
2	76957	1	3/8"-16x1-3/4" Whizlock Bolt	36	76946	2	5/8"-18x7-1/2" Hex Hd. Cap Screw-Grade 5
3	90585	3	5/16"-18 Whizlock Nut	37	76382	1	Chute Assembly
4	76688	1	Heavy Duty Idler Pulley	38	76926	10	5/16"-18x1" Hex Hd. Cap Screw
6	76988	3	#2 Hairpin Cotter	39	90717	17	5/16"-18 Nyloc Hex Nut
7	76523	1	Lower Blade Drive Linkage	47	76379	2	Complete Cutter Housing Assembly
8	76386	1	Idler Arm Assembly Complete w/Brg. (76452)	48	76524	2	Shaft Guard
9	76452	1	Oilite Bearing	50	90692	5	5/16" Std. Flat Washer
11	76930	1	5/8"-11x1" Hex Hd. Cap Screw	55	76997	2	1/8" NPT Straight Zerk
12	12757	2	1/4" Sq. x 1-1/4" Machine Key	56	90333	1	5/8" Lock Washer
13	76980	2	5/8"-18 Hex Nut	57	76956	4	5/16"-18x3/8" Nyloc Knurled Cup Point Set Screw
15	76398	2	Pulley w/Set Screws (76956)	59	76969	3	5/16"-18x3-1/4" Hex Hd. Tap Bolt-Grade 5
16	76496	1	Belt	60	76951	12	#10-24x3/8" Pan Hd. Slit. Mach. Screw
20	77279	1	Front Deck w/Decals	61	76989	1	#4 Hairpin Cotter
28	76419	4	Cutter Housing Cap	62	77001	1	3/8"x3/4" Knurled Socket Hd. Shoulder Bolt
29	76511	4	Snap Ring	63	76687	1	Assist Arm
30	76510	4	Cutter Housing Bearing	64	76689	1	Spacer
31	77304	2	Cutter Housing	65	76681	1	Belt Snubber
32	77305	2	Cutter Spindle	66	76686	1	Tightening Arm
33	76436	8	Blade Spacer	67	76694	1	Engagement Flange Bushing
34	76450	2	(.164") Ultra High Lift Blade-18"	--	77273	1	36" Decal Package
34	77344	2	Optional (.250") Ultra High Lift Blade-18"				

48" FRONT DECK ASSEMBLY



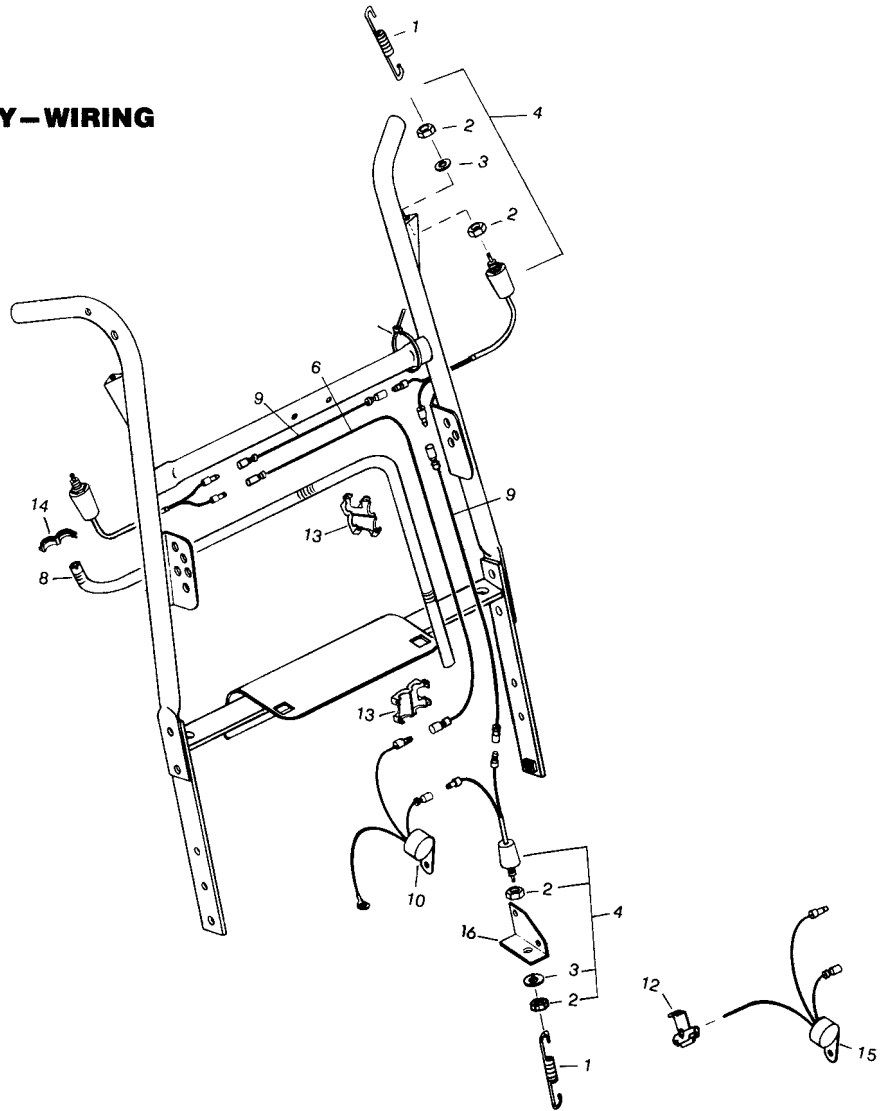
KEY NO.	PART NO.	QTY.	DESCRIPTION	KEY NO.	PART NO.	QTY.	DESCRIPTION
1	77370	1	Belt Shield w/Decal	39	77305	2	Cutter Spindle
3	76676	1	Belt	40	76675	3	(.164") Ultra High Lift Blade-16" Long
4	76677	1	Belt (12 H.P. & 12.5 H.P. Eng. Only)	40	77378	3	Optional (.250") Ultra High Lift Blade-16" Long
5	76650	1	Front Deck w/Decals	41	76379	2	Cutter Housing Assembly-Complete
7	90588	1	3/8"-16x2" Hex Hd. Cap Screw-Grade 5	42	76979	3	3/8"-16 Nyloc Hex Nut
8	76508	1	Spacer	43	90563	2	3/8"-16x1" Hex Hd. Cap Screw-Grade 5
9	76969	3	5/16"-18x3-1/4" Hex Hd. Tap Bolt-Grade 5	56	76946	2	5/8"-18x7-1/2" Hex Hd. Cap Screw-Grade 5
10	76970	1	3/8"-16x2-1/2" Hex Hd. Tap Bolt	57	76947	1	5/8"-18x8" Hex Hd. Cap Screw-Grade 5
11	76681	1	Belt Snubber	58	76829	1	Roller Bracket-"U"
12	76930	2	5/8"-11x1" Hex Hd. Cap Screw	59	76828	1	Roller
13	90333	2	5/8" Lock Washer	60	90297	2	1/8"x1-1/2" Cotter Pin
14	76982	5	5/8" S.A.E. Washer	61	76827	1	Axle
15	76496	1	HB, 89" O.D. Belt (14 H.P. Engine Only)	62	76524	3	Shaft Guard
19	76956	6	5/16"-18x3/8" Nyloc Knurled Cup Point Set Screw	64	90613	1	3/8"-16 Whizlock Nut
20	12757	3	1/4" Sq. x 1-1/4" Machine Key	70	76452	2	Oilite Bearing
21	76980	3	5/8"-18 Regular Hex Nut	71	76836	1	Idler Flange Bushing
22	76988	5	#2 Hairpin Cotter	72	76997	3	1/8" NPT Straight Zerk
23	60899	1	Pulley, Taper Lock Kit	73	76683	1	Belt Tension Rod
24	76398	2	Pulley w/Set Screws (76956)	74	76647	1	Idler Arm-Right w/Brg. (76452)
25	76925	5	5/16"-18x3/4" Hex Hd. Cap Screw	75	90692	12	5/16" Std. Flat Washer
26	76673	5	Belt Guide	76	76989	1	#4 Hairpin Cotter
27	90585	3	5/16"-18 Whizlock Nut	77	76693	1	Lower Blade Drive Linkage
28	90717	28	5/16"-18 Nyloc Hex Nut	78	76688	3	Heavy Duty Idler Pulley
29	76926	14	5/16"-18x1" Hex Hd. Cap Screw	79	76957	1	3/8"-16x1-3/4" Whizlock Bolt
30	76653	1	Chute Assembly	80	76686	1	Tightening Arm
31	76436	12	Blade Spacer	81	76694	1	Engagement Flange Bushing
32	76419	6	Cutter Housing Cap	82	77001	1	3/8"x3/4" Knurled Socket Hd. Shoulder Bolt
33	76511	6	Snap Ring	83	76687	1	Assist Arm
34	76510	6	Cutter Housing Bearing	84	76689	1	Spacer
35	77304	3	Cutter Housing	85	76646	1	Idler Arm w/Brg. (76452)
36	77376	1	Cutter Spindle	86	76951	18	#10-24x3/8" Pan Hd. Slt. Mach. Screw
38	76645	1	Center Cutter Housing Assembly	87	76695	1	Idler Flange Bushing
					77367	1	48" Decal Package
					77375	1	48" (w/14 H.P. Eng.) Decal Package

HANDLE ASSEMBLY HARDWARE



KEY NO.	PART NO.	QTY.	DESCRIPTION	KEY NO.	PART NO.	QTY.	DESCRIPTION
1	76488	2	Handle Grip	28	77281	1	Ground Speed Linkage Kit
2	76960	2	1/4"-20 Prevailing Torque Nut	29	76572	1	Gas Filter
3	76922	2	1/4"-20x1-1/2" Hex Hd. Cap Screw	30	76932	2	1/4"-20x3/4" Hex Hd. Cap Screw-Grade 5
4	76983	2	1/4" Dia. Wavy Spring Washer	31	76491	1	Gas Line Shut Off
5R	76387	1	Right Thumb Latch w/Grip (76527)	32	76499	4	Gas Line Clamp
5L	76388	1	Left Thumb Latch w/Grip (76527) (Not Shown)	33	76560	1	Gas Line Hose-17-1/2" Long (Briggs & Stratton Only)
6	90692	3	5/16" Std. Flat Washer	34	76537	2	Saddle Pad
7	90555	2	3/32"x1/2 Cotter Pin	35	76391	1	Lower Handle
8	76433	2	Drive Linkage	36	76430	2	Handle Brace
9	76993	2	3/16" Clevis Pin	37	90258	8	1/2"-13 Regular Hex Nut
10	76405	2	Drive Lever w/Grip (76525)	38	76532	2	Gas Line Hose (Kawasaki Only)
11	76555	1	Interlock Bracket-Blade Drive	39	76987	2	5/16" x 1" Rollpin
12	76529	1	Throttle Control, Complete	40	76534	1	Ground Speed Linkage
13	77287	1	Upper Handle w/Decals	41	76988	6	#2 Hairpin Cotter
14	76492	1	1" Cable Clip	42	76519	1	Upper Blade Drive Linkage
15	90588	2	3/8"-16x2" Hex Hd. Cap Screw-Grade 5	43	10434	2	5/16" Clevis Pin
16	76435	2	Spacer	44	76481	2	Yoke
17	76438	2	Compression Spring	45	76563	1	Tank Band-Long
18	90517	2	3/8" Std. Flat Washer	46	77282	1	4 Gal. Gas Tank w/Decals
19	76979	6	3/8"-16 Nylon Hex Nut	47	77351	1	Gas Line Hose 3-1/2" Long (Briggs & Stratton Only)
20	90563	4	3/8"-16x1" Hex Hd. Cap Screw-Grade 5	48	76525	2	Drive Lever Grip
21	90254	8	1/2" Lock Washer	49	76526	2	Adjustment Lever Grip
22	76856	1	Plastic Tie	50	76527	2	Thumb Latch Grip
23	77274	2	Lever Assy. Complete w/Grip (76526)	51	76950	2	#10-24x1-1/2" Rd. Hd. Slit. Mach. Screw
24	76562	1	Tank Band-Short	52	76977	2	#10-24 Nylon Hex Nut
25	76978	2	1/4"-20 Nylon Hex Nut	53	90053	1	Internal Tooth Lock Washer
26	76966	1	Hose Clamp	54	77345	4	Gas Tank Pad
27	76535	1	Gas Cap w/Gauge				

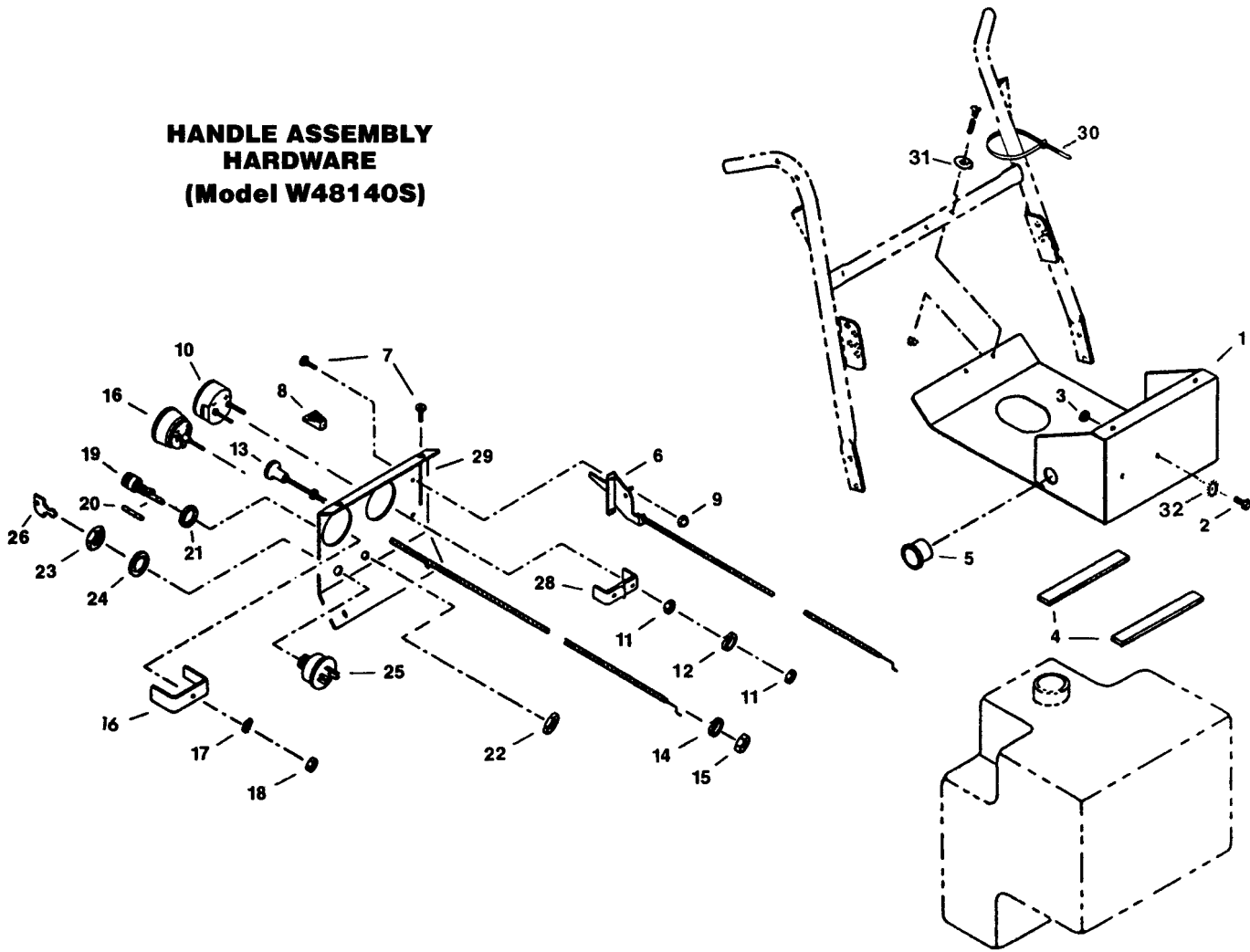
HANDLE ASSEMBLY - WIRING



KEY NO.	PART NO.	QTY.	DESCRIPTION
1	76564	3	Spring
2	77687	6	M10 x .75 Hex Nut
3	77688	3	Vinyl Washer
4	76406	3	Interlock Switch-Complete
5	76856	3	Plastic Tie
6	76404	1	Long Interlock Wire-Complete
8	76557	1	Flex Guard Loom
9	76403	2	Short Interlock Wire-Complete
10	76556	1	Interlock Module (Briggs & Stratton Engine Only)
12	76919	1	Splice (Kawasaki Engine Only)
13	76841	2	Flex Guard Outlet
14	76838	2	Flex Guard Clip
15	76568	1	Interlock Module (Kawasaki Engine Only)
16	76555	1	Interlock Bracket

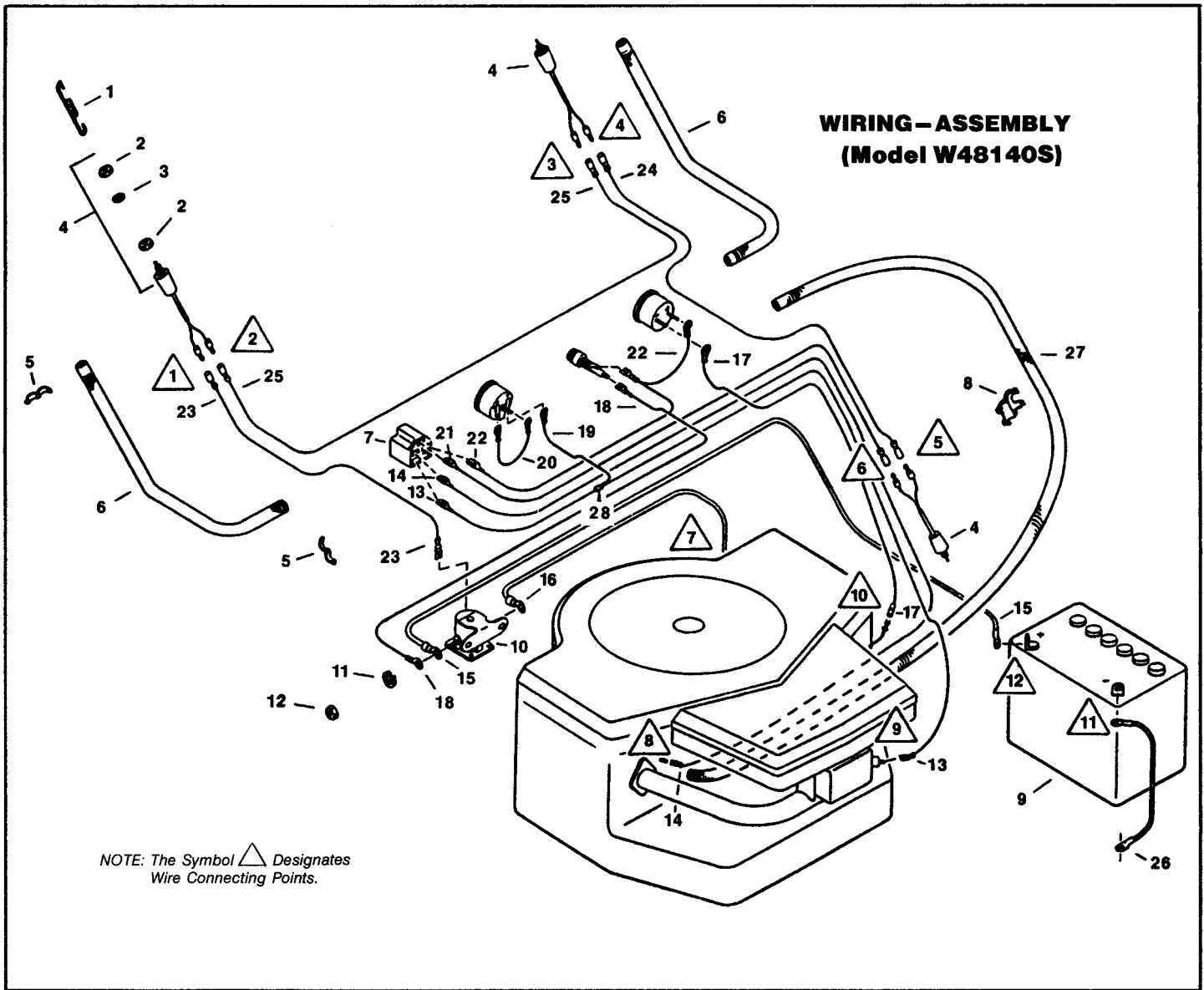
Note: Use 60896 Switch Kit to replace all interlock switches.

**HANDLE ASSEMBLY
HARDWARE
(Model W48140S)**



KEY NO.	PART NO.	QTY.	DESCRIPTION	KEY NO.	PART NO.	QTY.	DESCRIPTION
1	77373	1	Control Panel-Base Plate w/Decals	16	76820	1	Hour Meter Complete w/Hdwe.
2	90071	2	1/4"-20x1/2" Hex Hd. Cap Screw	17	90601	1	#10 External Tooth Lock Washer
3	76978	2	1/4"-20 Nyloc Hex Nut	18	77696	1	#10-24 Hex Nut
4	76723	2	Control Panel Pad	19	76916	1	Fuse Holder Complete w/Hdwe.
5	76920	4	Snap Bushing	20	76917	1	1/4"x1-1/4" AGC5 32V Fuse
6	76724	1	Throttle Control	21	77660	1	Vinyl Washer
7	76952	6	#10-24x5/8" Pan Hd. Slit. Mach. Screw	22	77661	1	Fuse Holder Nut
8	76833	1	Throttle Control Knob	23	12685	1	Key Switch Nut
9	76977	2	#10-24 Nyloc Hex Nut	24	90880	1	5/8" Internal Tooth Lock Washer
10	76821	1	Ammeter Complete w/Hdwe.	25	76822	1	Key Switch Complete w/Hdwe.
11	90013	4	#10-32 Hex Nut	26	11138	2	Key
12	77699	2	#10 Lock Washer	28	77379	1	Ammeter Bracket
13	76832	1	Choke Control Complete w/Hdwe.	29	77374	1	Control Panel-Face Plate w/Decals
14	90118	1	3/8" Lock Washer	30	76856	2	Plastic Tie
15	90482	1	3/8"-24 Hex Jam Nut	31	90011	1	#10 Internal Tooth Lock Washer
				32	76985	1	5/16" External Tooth Lock Washer

WIRING-ASSEMBLY (Model W48140S)

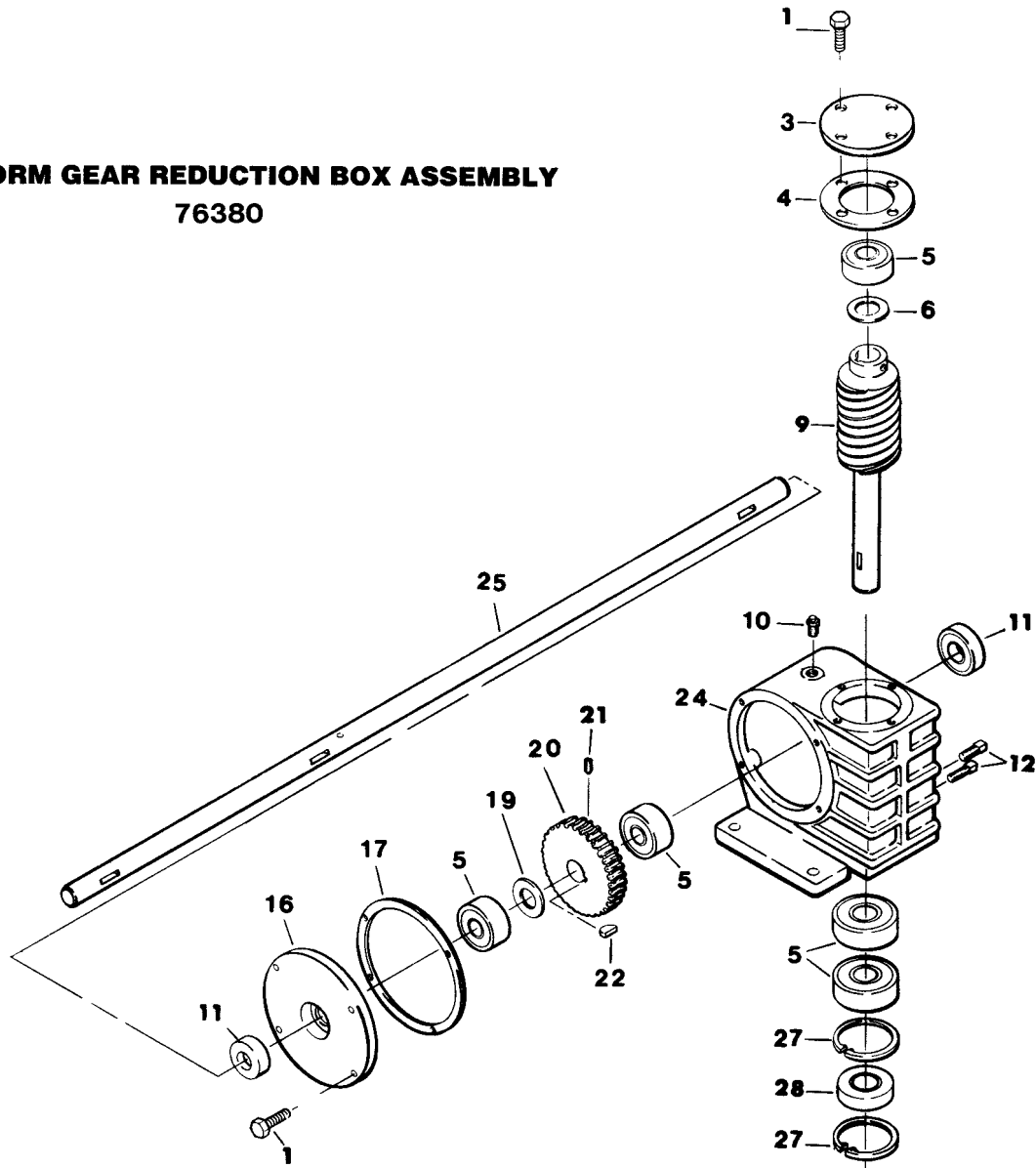


NOTE: The Symbol Designates Wire Connecting Points.

KEY NO.	PART NO.	QTY.	DESCRIPTION
1	76564	3	Spring
2	77687	6	M10 x .75 Hex Nut
3	77688	3	Vinyl Washer
4	76406	3	Interlock Switch-Complete
5	76838	5	Flex Guard Clip
6	76719	2	Flex Guard Loom
7	76837	1	5 Terminal Connector
8	76841	1	Flex Guard Outlet
9	76830	1	12 Volt Battery
10	18817	1	Solenoid Complete w/Hdwe.
11	90187	2	5/16" Lock Washer
12	90196	2	5/16"-18 Regular Hex Nut
13	76662	1	After Fire Wire
14	76664	1	Engine Kill Wire
15	76672	1	Solenoid-Battery (Pos.) Cable
16	76671	1	Solenoid-Starter Cable
17	76665	1	D.C. Wire
18	76666	1	Fuse-Solenoid Wire
19	76668	1	Hour Meter (Pos.) Wire
20	76667	1	Hour Meter Ground Wire
21	76670	1	L.L. Intlk-"S" Term. Wire
22	76669	1	Fuse - "B" Term. - Amp (Pos.) Wire
23	76660	1	U.R. Intlk-Sol. Starter Term. Wire
24	76661	1	U.L.-L.L. Intlk. Wire
25	76663	1	U.R.-U.L. Intlk. Wire
26	76834	1	Battery (Neg.) Cable
27	76720	1	Flex Guard Loom
28	76919	1	Quick Splice
--	77371	1	Wiring Kit Complete

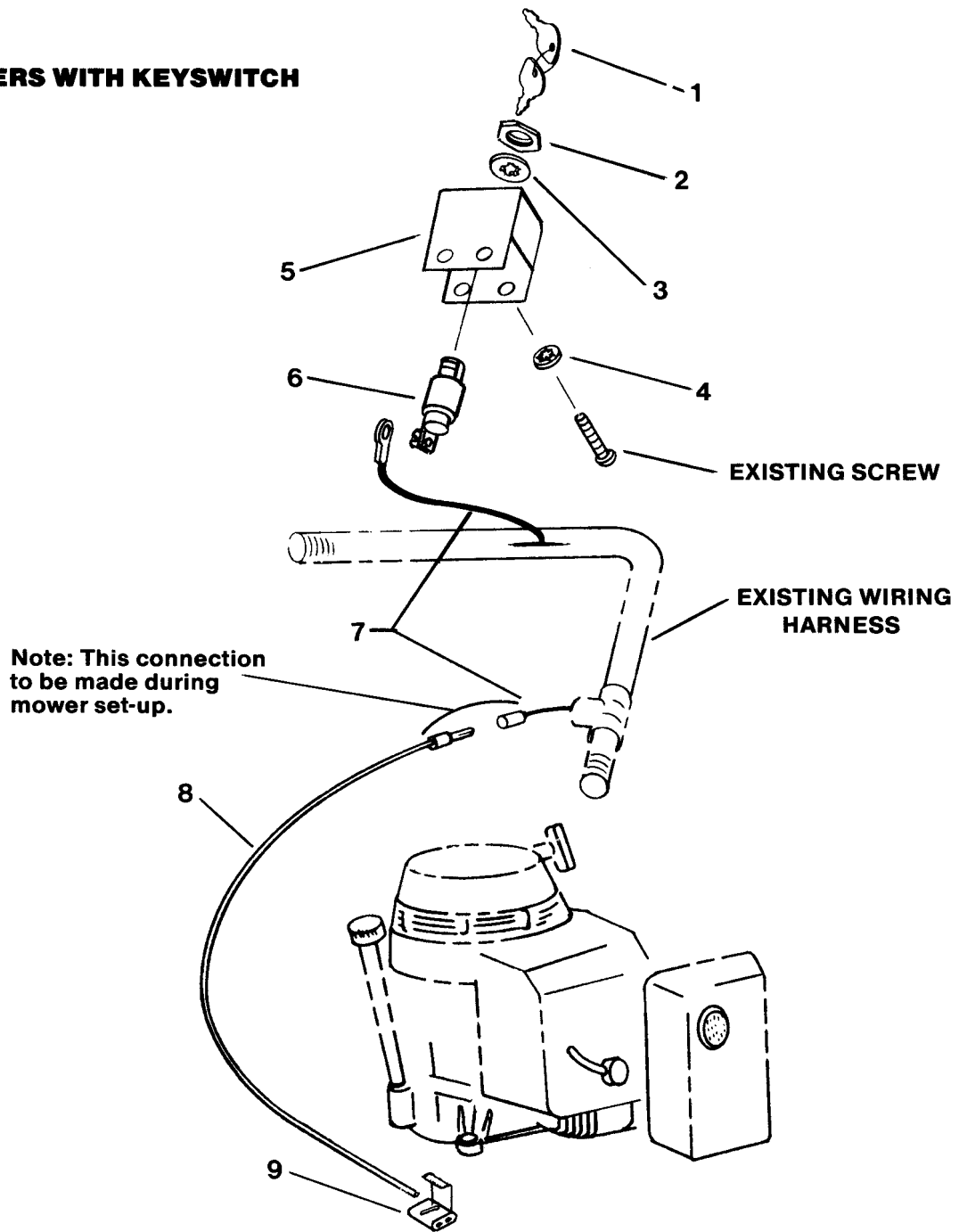
Note: Use 60896 to replace interlock switches.

WORM GEAR REDUCTION BOX ASSEMBLY
76380



KEY NO.	PART NO.	QTY.	DESCRIPTION
1	90072	8	1/4"-20X5/8" Hex Hd. Cap Screw
3	77322	1	Input Cover w/Brg. (77324)
4	77323	1	Input Gasket
5	77324	5	Bearing
6	77325	-	Shims 5/8"x7/8"x.010
9	77275	1	Worm Gear Assy.
10	77326	1	Vent Plug
11	77327	2	Seal, Output
12	77684	2	Pipe Plug 1/8"-27
16	77328	1	Output Cover w/Brg. (77324)
17	77329	1	Output Gasket
19	77330	-	Shims 5/8"x7/8"x.005
20	77331	1	Gear
21	77680	1	1/4"-20x3/8" Set Screw
22	10614	1	#5/405 Woodruff Key
24	77332	1	Gear Case
25	77333	1	Output Shaft
27	77335	2	Snap Ring
28	77336	1	Seal, Input

MOWERS WITH KEYSWITCH



KEY NO.	PART NO.	QTY.	DESCRIPTION
1.....	11138.....	1	Set of 2 Keys
2.....	15438.....	1	5/8"-32 Hex Nut
3.....	90880.....	1	5/8" Internal Tooth Lock Washer
4.....	90011.....	1.....	#10 Internal Tooth Lock Washer
5.....	77710.....	1.....	Bracket w/Decal
6.....	11853.....	1.....	Keyswitch
7.....	77201.....	1.....	Kill Wire (Red)
8.....	77211.....	1.....	Engine Wire (Red)
9.....	76919.....	1.....	Splice

IT IS THE POLICY OF SNAPPER POWER EQUIPMENT TO IMPROVE ITS PRODUCTS WHENEVER IT IS POSSIBLE AND PRACTICAL TO DO SO. WE RESERVE THE RIGHT TO MAKE CHANGES OR ADD IMPROVEMENTS AT ANY TIME WITHOUT INCURRING ANY OBLIGATION TO MAKE SUCH CHANGES ON PRODUCTS MANUFACTURED PREVIOUSLY.