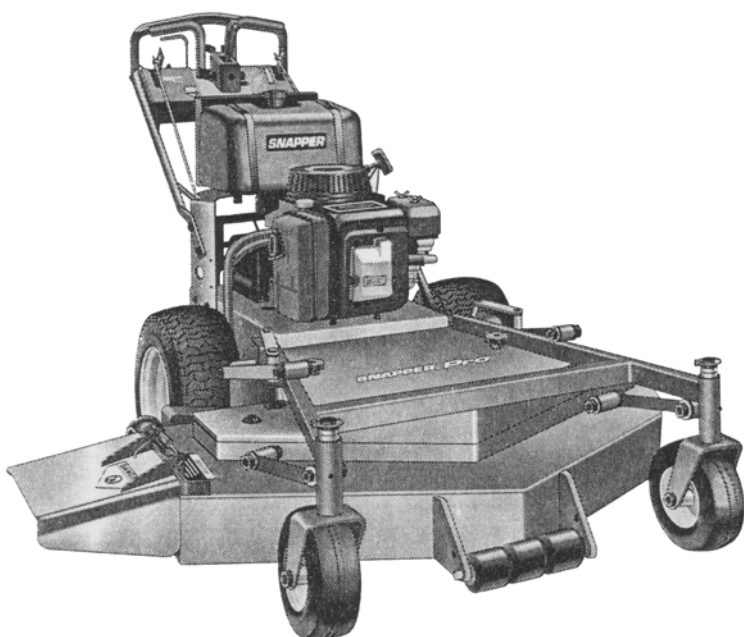


Parts Manual for
SNAPPER[®]

**PRO HYDRO
MID-SIZE WALK BEHIND MOWERS
SERIES 1 & 2**



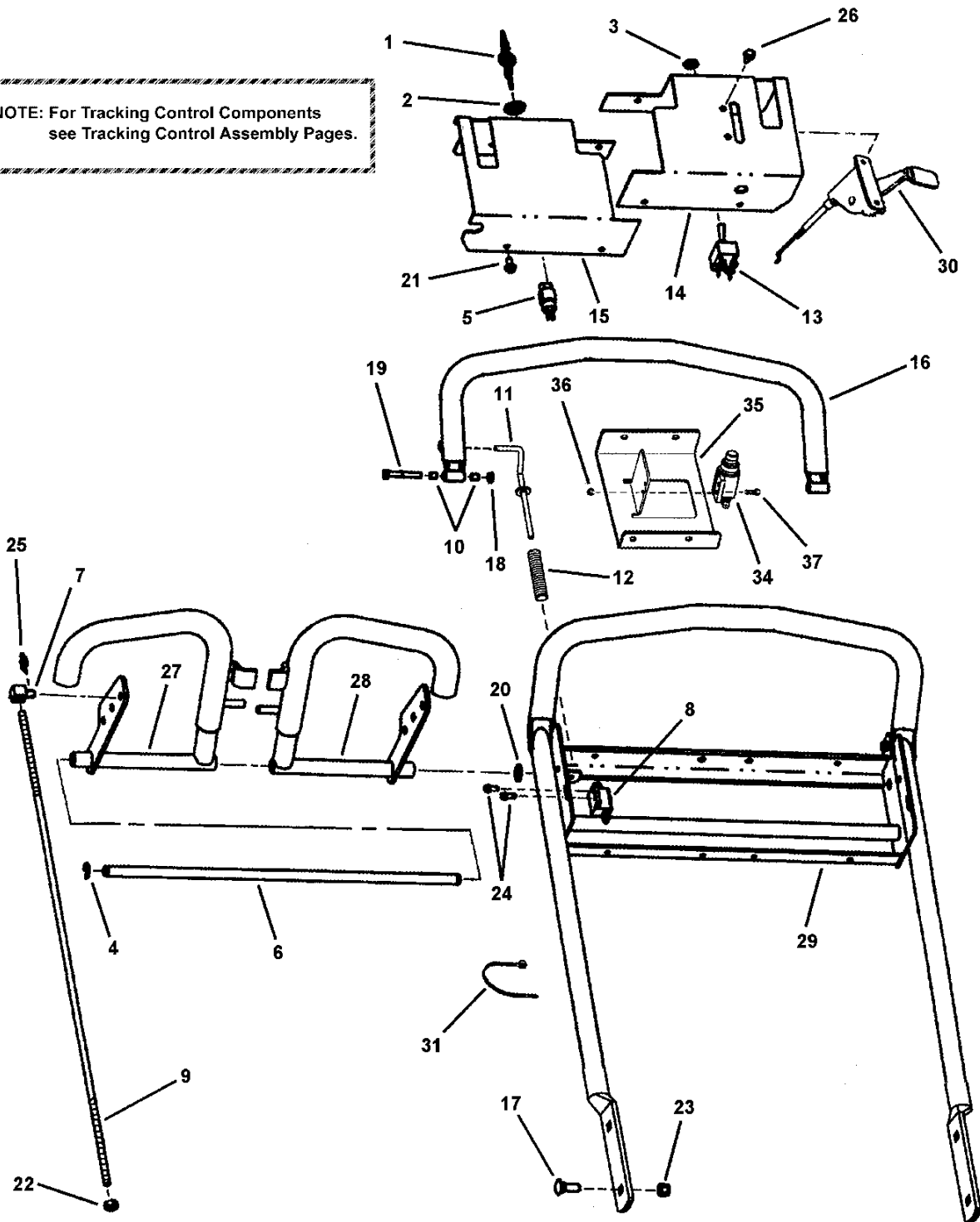
POWER UNIT MODELS	MOWER MODELS
SPLH141KH	SP360
SPLH141KW	SP480
SPLH141KWE	SP520
SPLH151KH	SPA360
SPLH152KW	SPA361
SPLH171KW	SPA480
SPLH221KHE	SPA481
SPLH231KHE	SPA520
	SPA521
	SPA610
	SPA611

SNAPPER McDonough, GA, 30253 U.S.A.

PAGE	GROUP
4	LOOP HANDLE & CONTROL ASSEMBLIES
8	TRACKING CONTROL ASSEMBLY
10	OIL TANK ASSEMBLY (Model SPLH231KHE)
12	OIL TANK ASSEMBLY (All Except SPLH231KHE)
14	TANK BRACKET ASSEMBLY
16	FUEL TANK ASSEMBLY
18	REAR DECK ASSEMBLY
22	PUMP AND SHELF ASSEMBLIES
24	HOSE ASSEMBLY
26	POWER UNIT IDLER ASSEMBLY
28	TRACTION, REAR WHEEL ASSEMBLY
30	ENGINE GROUP
32	CASTER, WHEEL & TIRE ASSEMBLY
34	36" MOWER DECK ASSEMBLY (Fixed Height)
36	36" MOWER DECK ASSEMBLY (Adjustable Height)
40	48" & 52" MOWER DECK ASSEMBLY (Fixed Height)
42	48", 52" & 61" MOWER DECK ASSY (Adj. Height) Pt.1
46	48", 52" & 61" MOWER DECK ASSY (Adj. Height) Pt.2
48	36" DECK IDLER ASSEMBLY
50	48" & 61" DECK IDLER ASSEMBLY
52	52" DECK IDLER ASSEMBLY
54	CUTTER HOUSING ASSEMBLY
56	DECALS - Left & Right Panels
58	DECALS - Instructions, Caution, Warning, Danger
60	ELECTRICAL WIRING (Manual Start)
62	ELECTRICAL WIRING- LOOP HANDLE (Electric Start)
64	WIRING SCHEMATIC (Manual Start)
66	WIRING SCHEMATIC (Electric Start)

LOOP HANDLE & CONTROL ASSEMBLIES

NOTE: For Tracking Control Components
see Tracking Control Assembly Pages.



LOOP HANDLE & CONTROL ASSEMBLIES

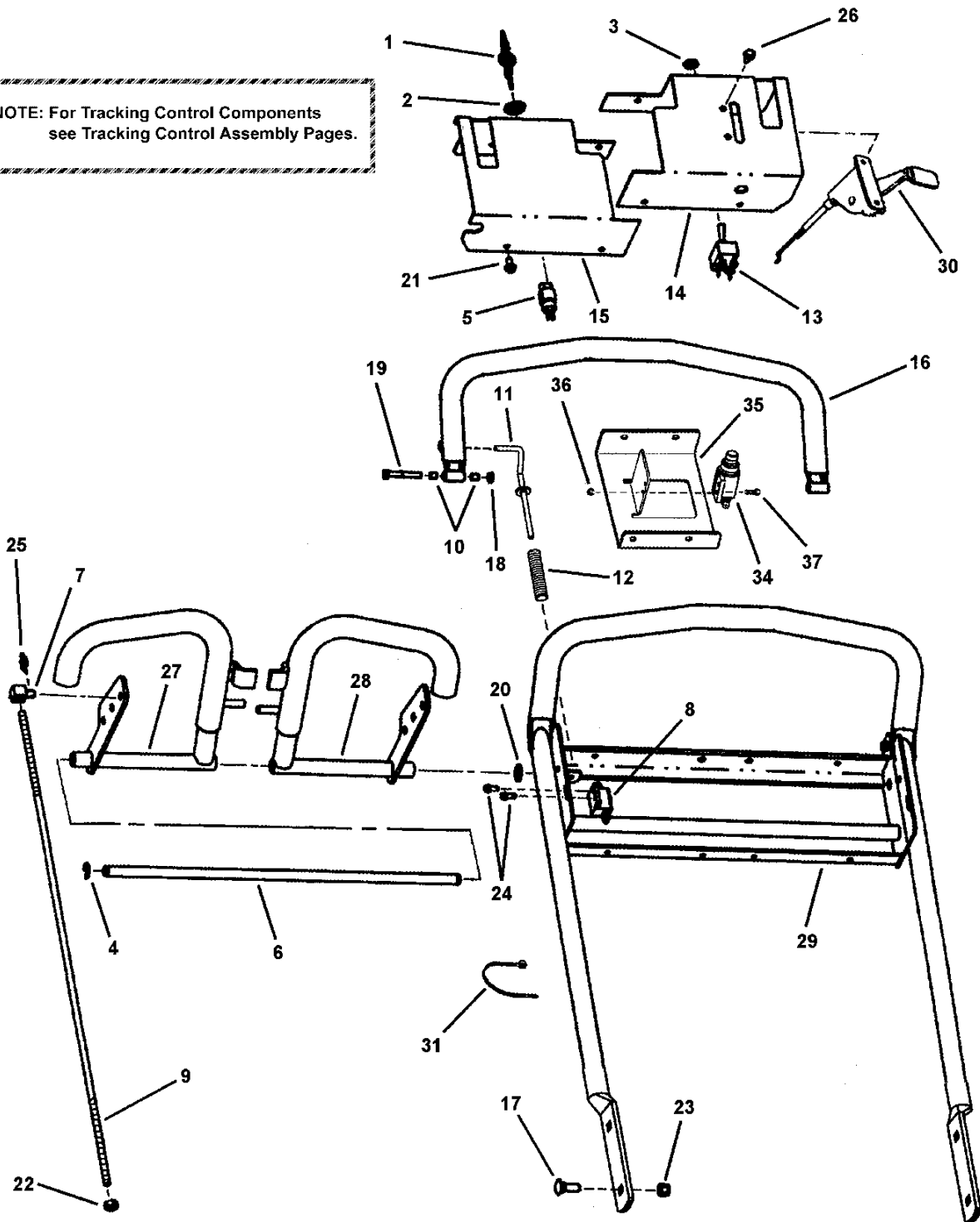
Item	Part No	Qty	Description	Note
1	7011138	1	IGNITION KEY, Pair	
2	7012685	1	NUT, 5/8-32 Hex (Ignition Switch)	
3	7012686	1	NUT, 1/2-27 Hex (Special)	
4	7014341	2	RETAINING RING	<i>Truarc #5133-50</i>
5	7017817	1	SWITCH, Ignition, 2-Pole, Recoil Start	<i>(except Kohler 23HP)</i>
5	7027698	1	SWITCH, Ignition	<i>used on Kohler 23HP</i>
6	7022166	1	ROD, Pivot, 1/2" Dia. x 18.542 w/2 retaining Ring Grooves	
7	7027141	2	SWIVEL	
8	7027225	1	SWITCH, OPC, Single Pole (NC)	<i>used on Loop Handle except Kohler 23HP</i>
8	7023355	1	SWITCH, OPC, (NO/NC)	<i>used on Kohler 18HP</i>
9	7028856	2	CONTROL ROD (Traction)	
10	7028857	4	BEARING, Nyliner	
11	7074648	1	ROD, Operator Presence Control	
12	7029139	1	SPRING, OPC- Loop Handle	
13	7029715	1	SWITCH, Toggle	
14	7034827	1	PANEL, Left	
15	7034828	1	PANEL, Right	
16	7041748	1	BAIL, Operator Presence Control (Weldment)	
17	7091303	4	BOLT, 5/16-18 x 1" Short Neck Carriage, GR 5	
18	7090977	2	NUT, 1/4-20 Hex Jam	
19	7091222	2	BOLT, 1/4-20 x 1-3/4" Hex Head Cap, GR 5	
20	7091030	2	BUSHING, 1/2" Machine	
21	7091122	8	SCREW, 1/4-20 x 1/2" Hex Washer Self-Tap	
22	7091297	2	NUT, 5/16-24 Hex, GR 5	
23	7091299	4	NUT, 3/8-16 Hex Nyloc	
24	7077873	2	SCREW, #12-14 x 1/2" Hex Flange Self-Tap	
25	7091594	2	COTTER PIN, 1/2" Self-Locking	
26	7091686	2	SCREW, 1/4-20 x 3/4" Hex Washer Self-Tap	
27	7034820	1	WELDMENT, Traction Lever, RH	
28	7034821	1	WELDMENT, Traction Lever, LH	
29	7043869	1	HANDLE, Loop (Weldment)	
30	7029100	1	THROTTLE CONTROL, 40.50/1.46	<i>used on Kawasaki 14HP & Kohler 15HP</i>
30	7072597	1	THROTTLE CONTROL, 51.50/0.90	<i>used on Kawasaki 17HP</i>
30	7036431	1	THROTTLE CONTROL, 48.50/0.90	<i>used on Kohler 23HP</i>
31	7012080	4	CABLE TIE, 7"	
32	7073118	1	* WIRE HARNESS	<i>not shown; for all models except for Kohler 23HP</i>
32	7073117	1	* WIRE HARNESS	<i>not shown; used on Kohler 23HP</i>

Footnotes:

NOTE: * See Electrical Wiring pages for Illustration.

LOOP HANDLE & CONTROL ASSEMBLIES

NOTE: For Tracking Control Components
see Tracking Control Assembly Pages.



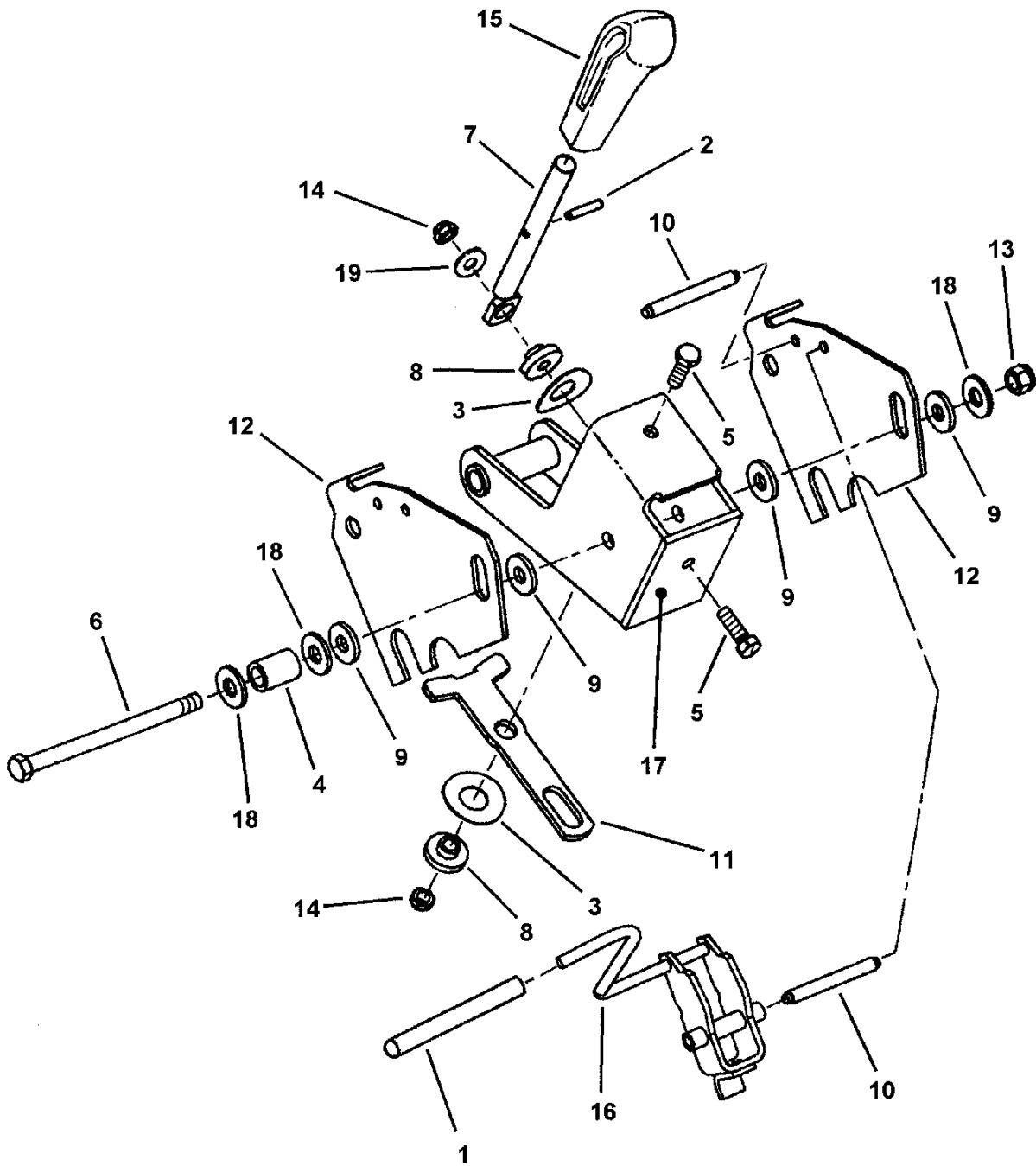
LOOP HANDLE & CONTROL ASSEMBLIES

Item	Part No	Qty	Description	Note
33	7041692	1	* HARNESS, Wiring Pigtail	<i>not shown; used on SPLH171KW only</i>
33	7027226	1	* HARNESS, Wiring Pigtail	<i>not shown; used on SPLH141KW only</i>
33	7046901	1	* HARNESS, Regulator	<i>not shown, used on SPLH141KWE only</i>
34	7073141	1	SWITCH, Interlock, Sealed (NC)	
34	7073140	1	SWITCH, Interlock, Sealed (NO/NC)	<i>used on Electric Start only</i>
35	7073139	1	BRACKET, Interlock Switch	
36	7090376	2	NUT, #10-32 Hex Nyloc	
37	7091240	2	SCREW, #10-32 x 5/8" Hex Machine	

Footnotes:

NOTE: * See Electrical Wiring pages for Illustration.

TRACKING CONTROL ASSEMBLY

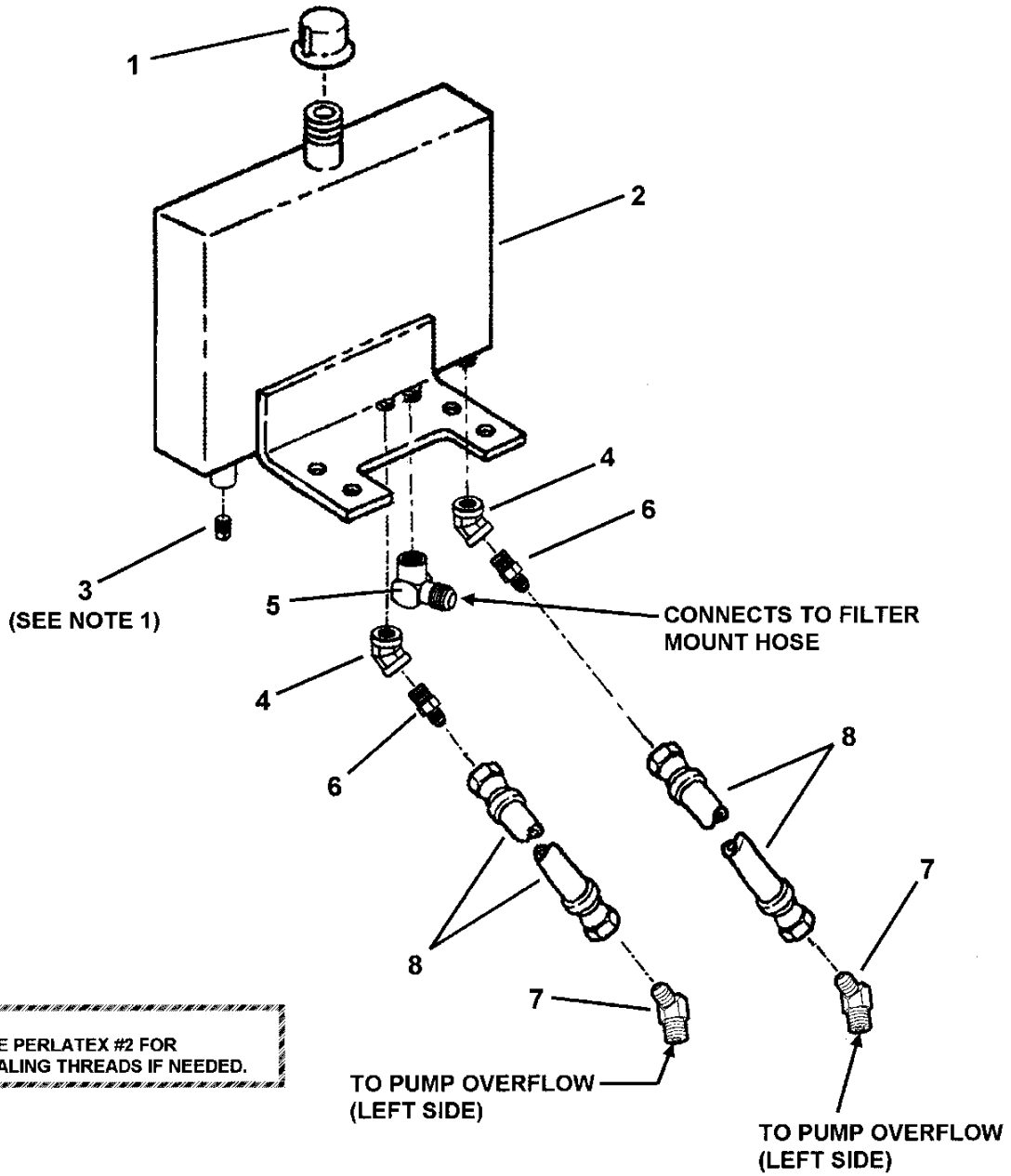


TRACKING CONTROL ASSEMBLY

Item	Part No	Qty	Description	Note
1	7011879	1	GRIP, Vinyl	
2	7013550	1	PIN, 3/16 x 1" Roll	
3	7011121	2	WASHER, 5/8" I.D., 1-1/4" O.D. Belleville	
4	7027125	1	SPRING, Compression	
5	7027168	2	SCREW, 5/16-18 X 1" Hex Head Cap, GR 5	
6	7027169	1	SCREW, 3/8-16 x 5" Hex Head Cap, GR 5	
7	7028859	1	LEVER	
8	7028860	2	BUSHING	
9	7029040	4	WASHER, Slipper	
10	7034803	2	PIN, Shoulder	
11	7034830	1	CAM, Track	
12	7034877	2	PLATE, Speed, Accutrack	
13	7091299	1	NUT, 3/8-16 Hex Nyloc	
14	7091706	2	NUT, 5/16-18 Hex Top Lock, GR B	
15	7019376	1	HANDLE, Shift Lever	
16	7059115	1	WELDMENT, Neutral Latch	
17	7041772	1	TRACK, Welded	
18	7091300	3	WASHER, .44 x 1.0 x .08 Flat	
19	7091130	1	WASHER, .33 x .88 x .09 Flat	

Footnotes:

OIL TANK ASSEMBLY (Model SPLH231KHE)

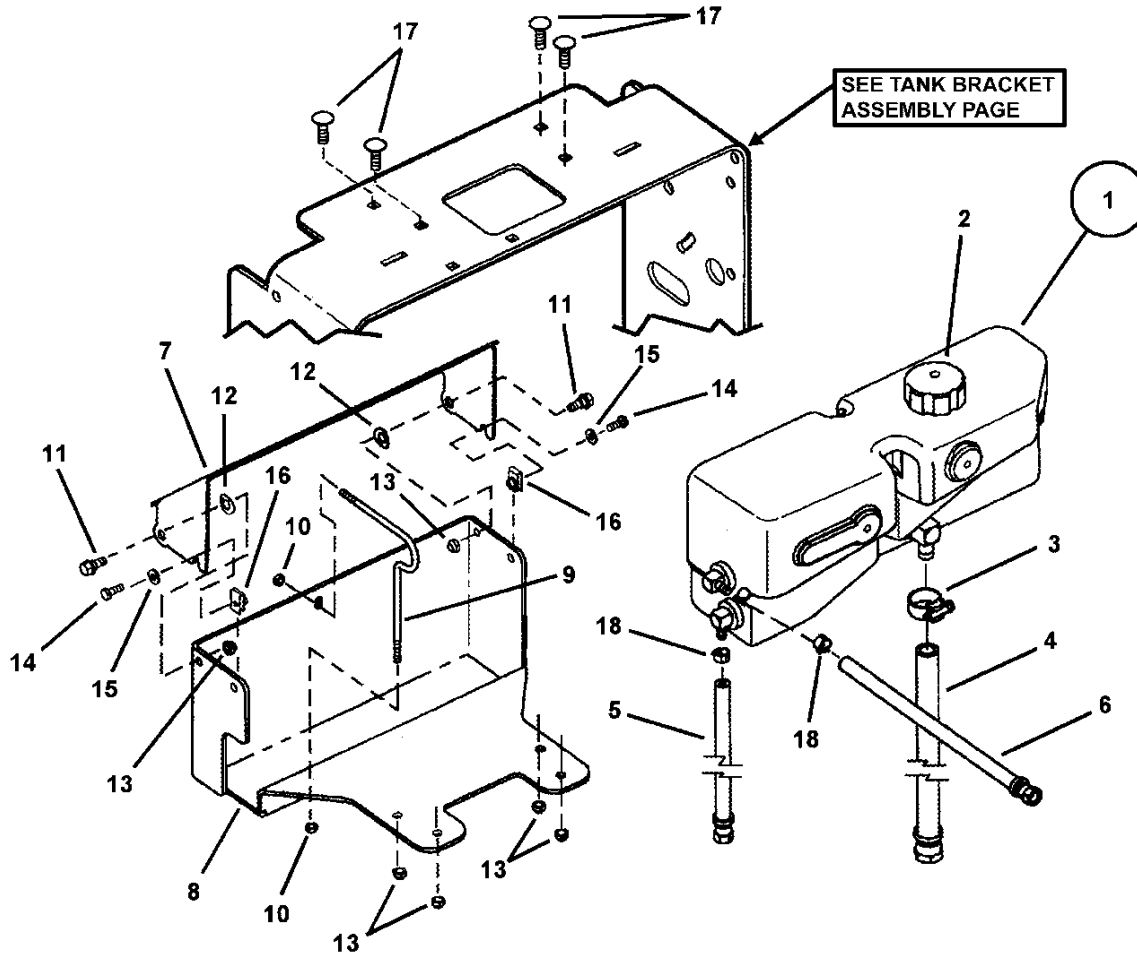


OIL TANK ASSEMBLY (Model SPLH231KHE)

Item	Part No	Qty	Description	Note
1	7026945	1	CAP, Hydraulic	
2	7028972	1	TANK, Reservoir	
3	7029039	1	PLUG, 1/4 NPTM Pipe	
4	7029159	2	FITTING, 45 Degree 1/4 FPT Elbow	
5	7027115	1	FITTING, 90 Degree	
6	7027104	2	FITTING, Straight 1/4	
7	7027105	2	FITTING, External 45 Degree w/37 Degree Flare	
8	7028912	2	HOSE, 10-1/2" Long (7/16-20 Female Thread)	

Footnotes:

OIL TANK ASSEMBLY (All Except SPLH231KHE)

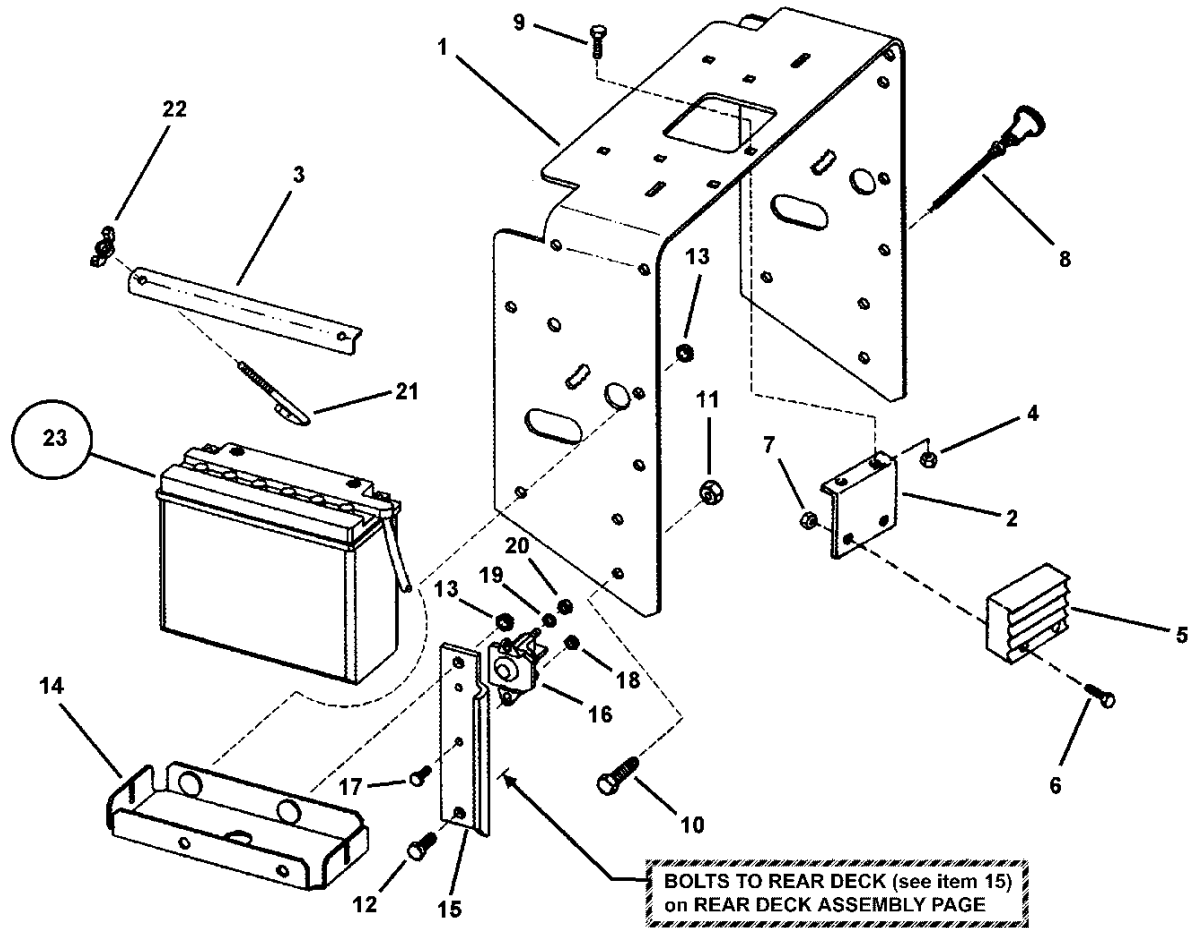


OIL TANK ASSEMBLY (All Except SPLH231KHE)

Item	Part No	Qty	Description	Note
1	7058610	1	OIL TANK (Includes Item 2)	
2	7035512	1	CAP, Oil Tank, Vented	
3	7016130	1	CLAMP, 13/16" Hose	
4	7072897	1	HOSE, 1/2 x 19-1/2" Supply (3/4-16 Fitting on One End)	
5	7072898	1	HOSE, 1/2 x 24-1/2" Return (7/16-20 Fitting on One End)	
6	7072910	1	HOSE, Return, 10-1/2" (7/16-20 Fitting on One End)	
7	7072899	1	COVER, Oil Tank Bracket	
8	7072895	1	BRACKET, Reservoir, Hydro	
9	7072896	1	RETAINING ROD, Reservoir (1/4-20 threads)	
10	7091705	1	NUT, 1/4-20 Hex Top Lock, GR B	
11	7015761	2	SHOULDER BOLT, 5/16-18	
12	7011079	2	WASHER, 3/8" Curved	
13	7091298	6	NUT, 5/16-18 Hex Nyloc	
14	7091495	2	SCREW, 1/4-20 x 3/4" Hex Head Cap, GR 5	
15	7091294	2	SHOULDER BOLT, 3/8-16 x 2-7/16"	
16	7023295	2	U-NUT 1/4-20	
17	7091303	4	BOLT, 5/16-18 x 1" Short Neck Carriage, GR 5	
18	7029900	2	CLAMP, Fuel Hose	

Footnotes:

TANK BRACKET ASSEMBLY



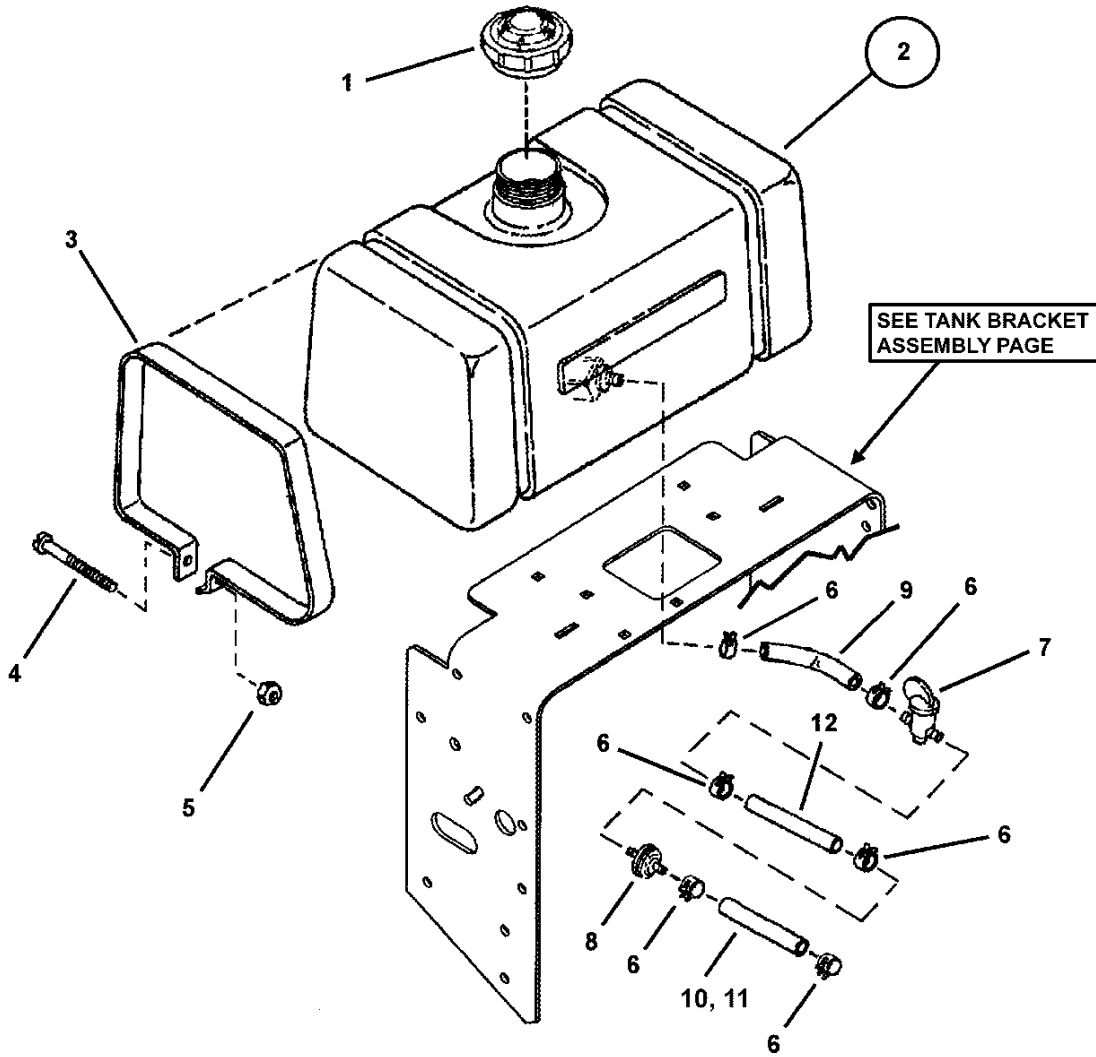
TANK BRACKET ASSEMBLY

Item	Part No	Qty	Description	Note
1	7042584	1	WELDMENT, Tank Bracket- Hydro	
2	7073073	1	BRACKET, Regulator	
3	7034837	1	* STRAP, Battery Clamp	
4	7091298	2	NUT, 5/16-18 Hex Nyloc	
5	7028983	1	REGULATOR/RECTIFIER (Kawaaski p/n 21066-2071)	<i>used on Kawasaki Manual Start only</i>
5	7047210	1	REGULATOR (Kawaaski p/n 21066-2070)	<i>used on Kawasaki Electric Start only</i>
6	7027230	4	SCREW, 1/4-20 x 1" Hex Head Cap, GR 5	
7	7091705	2	NUT, 1/4-20 Hex Top Lock, GR B	
8	7024185	1	CABLE, Choke (Incl. hardware)	<i>used on Kohler 23 HP</i>
9	7027168	2	SCREW, 5/16-18 X 1" Hex Head Cap, GR 5	
10	7091304	6	SCREW, 3/8-16 x 1" Hex Head Cap, GR 5	
11	7091299	6	NUT, 3/8-16 Hex Nyloc	
12	7091304	1	SCREW, 3/8-16 x 1" Hex Head Cap, GR 5	
13	7091704	2	NUT, 3/8-16 Hex Top Lock, GR B	
14	7041765	1	* TRAY, Battery	
15	7034851	1	* BRACE, Battery	
16	7018604	1	* SOLENOID, 12 Volt	
17	7091495	2	SCREW, 1/4-20 x 3/4" Hex Head Cap, GR 5	
18	7091705	2	NUT, 1/4-20 Hex Top Lock, GR B	
19	7091314	2	* WASHER, 1/4" Internal Tooth lock	
20	7091576	2	* NUT, 1/4-20 Hex, GR 5 or B	
21	7028913	2	* J-BOLT, 1/4-20 thread	
22	7090311	2	* NUT, 1/4-20 Wing	<i>or 7091568</i>
23	7060974	1	* KIT, Battery	

Footnotes:

NOTE: * Items marked with an * are used on Electric Start Models only.

FUEL TANK ASSEMBLY



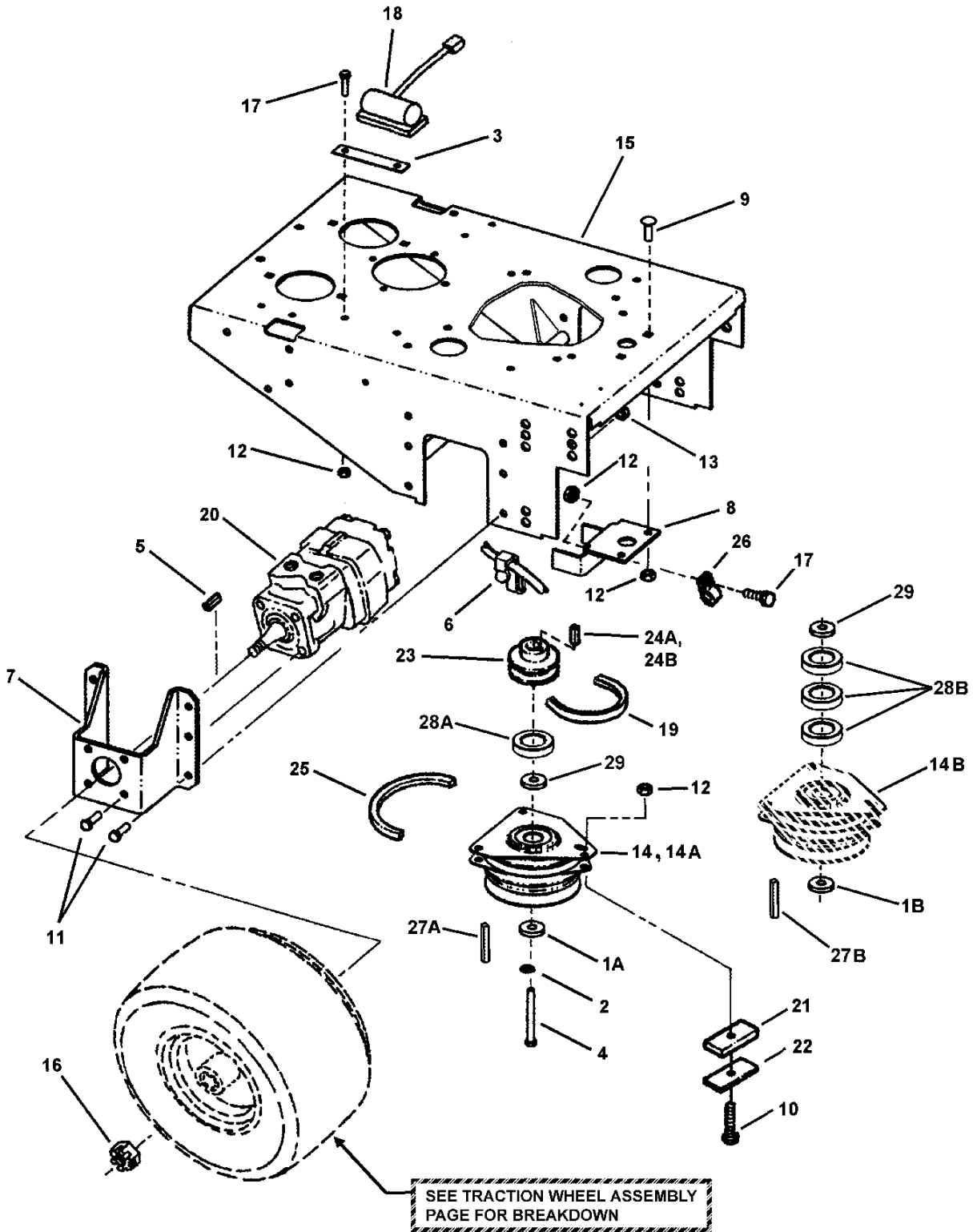
FUEL TANK ASSEMBLY

Item	Part No	Qty	Description	Note
1	7028903	1	CAP, Fuel Tank	
2	7044639	1	FUEL TANK	<i>includes item 1</i>
3	7034923	2	STRAP, Tank	
4	7091207	2	SCREW, #10-24 x 2-1/2" Pan Head Machine	
5	7091290	2	NUT, #10-24 Hex Nyloc	
6	7029900	6	CLAMP, Fuel Hose	<i>replaces 7012222 clamp</i>
7	7016325	1	VALVE, Fuel	
8	7014359	1	FILTER, In-Line	<i>used on Kawasaki models only</i>
9	7032956	1	* LINE, Fuel (1/4" I.D. x 10" Long)	
10	7024055	1	* HOSE, Fuel (1/4" I.D. x 6-1/2" Long)	
11	7076272	1	* HOSE, Fuel (1/4" I. D. x " 8-1/2 Long)	<i>not shown</i>
12	7073240	1	* HOSE, Fuel (1/4" I. D. x 5" Long)	
13	7077351	1	* HOSE, Fuel (1/4" I.D. x 3-1/2" Long)	<i>not shown</i>

Footnotes:

NOTE: * When ordering hoses, measure length of hose to be replaced or distance between connections.

REAR DECK ASSEMBLY



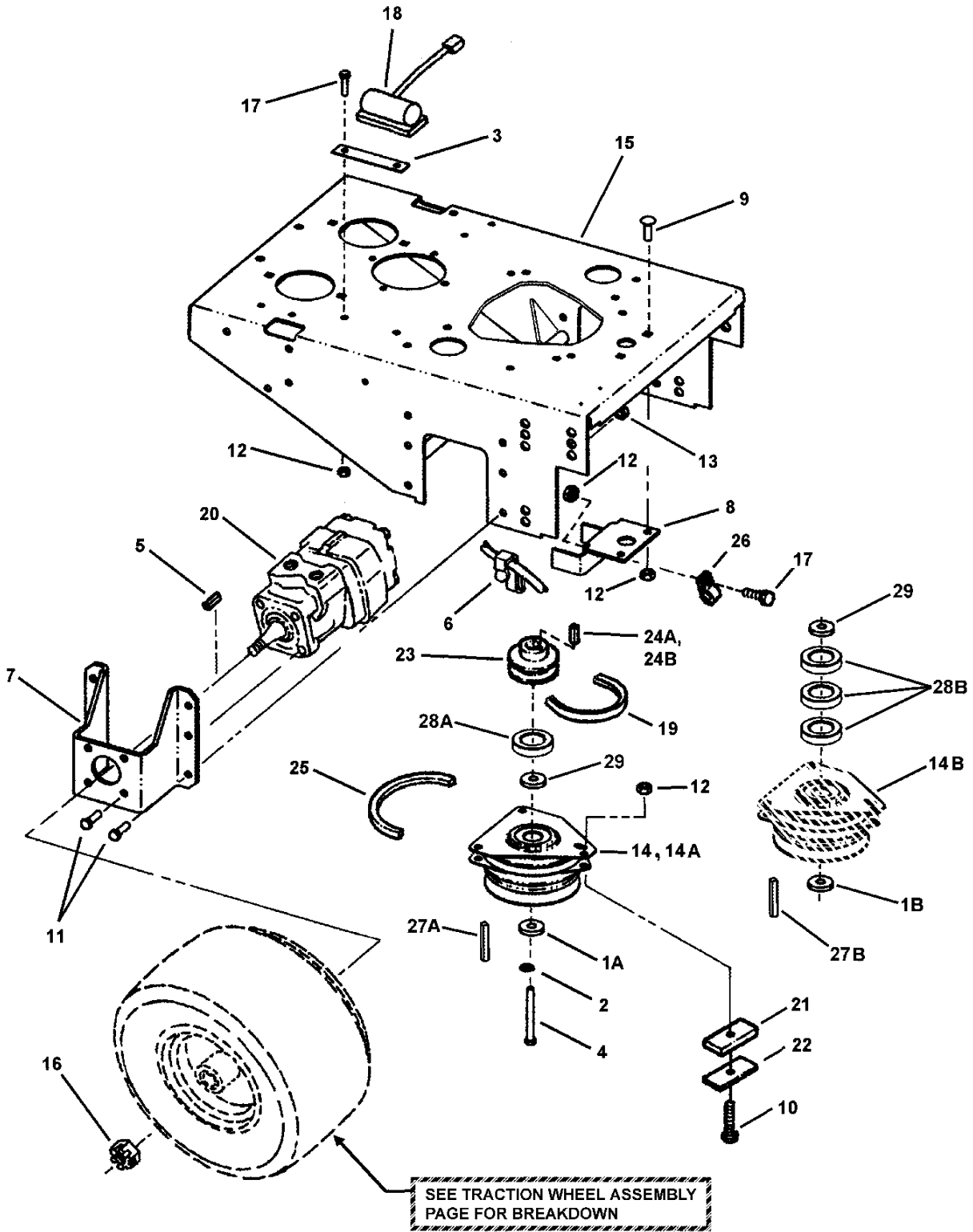
REAR DECK ASSEMBLY

Item	Part No	Qty	Description	Note
1A	7091807	1	WASHER, .468 x 1.38 x .25 Flat	
1B	7075082	1	SPACER, Clutch	
2	7091301	1	WASHER, 7/16" Split Lock	<i>replaces 7090247</i>
3	7026978	1	BRACKET, Capacitor	<i>Kawasaki Engines only</i>
4	7028680	1	SCREW, M10-1.5 x 65mm Hex Head Cap	<i>used on Kawasaki 14HP</i>
4	7027266	1	BOLT, 7/16-20 x 3" Hex Head Cap, GR 5	<i>used on Kawasaki 17HP and Kohler 15HP</i>
4	7091703	1	SCREW, 7/16-20 x 2-1/2" Hex Head Cap, GR 5	
5	7012830	2	KEY, 3/16" Square x 3/4"	
6	7015861	1	CLIP, Harness (for battery drain hose)	<i>used on SPLH141KWE only</i>
7	7034802	2	BRACKET, Wheel	
8	7034829	1	BRACKET, Clutch	
9	7091303	1	BOLT, 5/16-18 x 1" Short Neck Carriage, GR 5	
10	7091527	3	SCREW, 5/16-18 x 1-1/4" Hex Head Cap, GR 5	
11	7091304	12	SCREW, 3/8-16 x 1" Hex Head Cap, GR 5	
12	7091706	5	NUT, 5/16-18 Hex Top Lock, GR B	
13	7091704	14	NUT, 3/8-16 Hex Top Lock, GR B	
14	7017063	1	CLUTCH, Electric (Warner)	
14A	7072400	1	CLUTCH, Electric (Ogura)	<i>On Models SPLH231KHE, SPLH152KW & SPLH172KW</i>
14B	7075672	1	CLUTCH, Electric (Ogura model GT2.5 SN01)	<i>requires use of 7017033, 7075082 & 7075084</i>
15	7044679	1	DECK, Rear (Weldment)	
16	7027194	2	PACK NUT, 3/4-28 UNEF-2A Thread	
17	7091318	3	SCREW, 5/16-18 x 3/4" Hex Head Cap, GR 5	
18	7027235	1	CAPACITOR, Kawasaki Engine	<i>Kawasaki p/n 21013-2064</i>
19	7029615	1	V-BELT, HA4950 Engine/Hydro	
20	7027128	2	WHEEL MOTOR w/Pack Nut	<i>includes item 16</i>
21	7029704	1	BUMPER, Electric Clutch	
22	7034448	1	WASHER, Rectangular Steel	<i>electric clutch bumper support</i>
23	7027132	1	PULLEY, 4", Engine/Hydro	
24A	7044751	1	KEY, 1/4" Square w/Bevel	
24B	7010210	1	KEY, 1/4" Square x 2"	<i>used on SPLH231KHE only</i>
25	7035710	1	* V-BELT, Sect HB, Nom. Eff. Length: 84.80" (Engine/Deck belt)	<i>used on 36" Deck</i>
25	7029262	1	* V-BELT, Sect HB, Nom. Eff. Length: 66.00" (Primary Engine/Deck belt)	<i>used on 48" Deck</i>
25	7042813	1	* V-BELT, Sect HB, Nom. Eff. Length: 67.80" (Engine/Deck belt)	<i>used on 52" Deck</i>
25	7042735	1	* V-BELT, Sect HB, Nom. Eff. Length: 74.00" (Primary Engine/Deck belt)	<i>used on 61" Deck</i>
26	7015861	1	CLIP, Harness	<i>used on SPLH231KHE</i>
27A	7074867	1	KEY, 1/4" Square x 2-1/2"	
27B	7017033	1	KEY, 1/4" Square x 2-1/4"	

Footnotes:

NOTE: * Part numbers are printed on belts.

REAR DECK ASSEMBLY



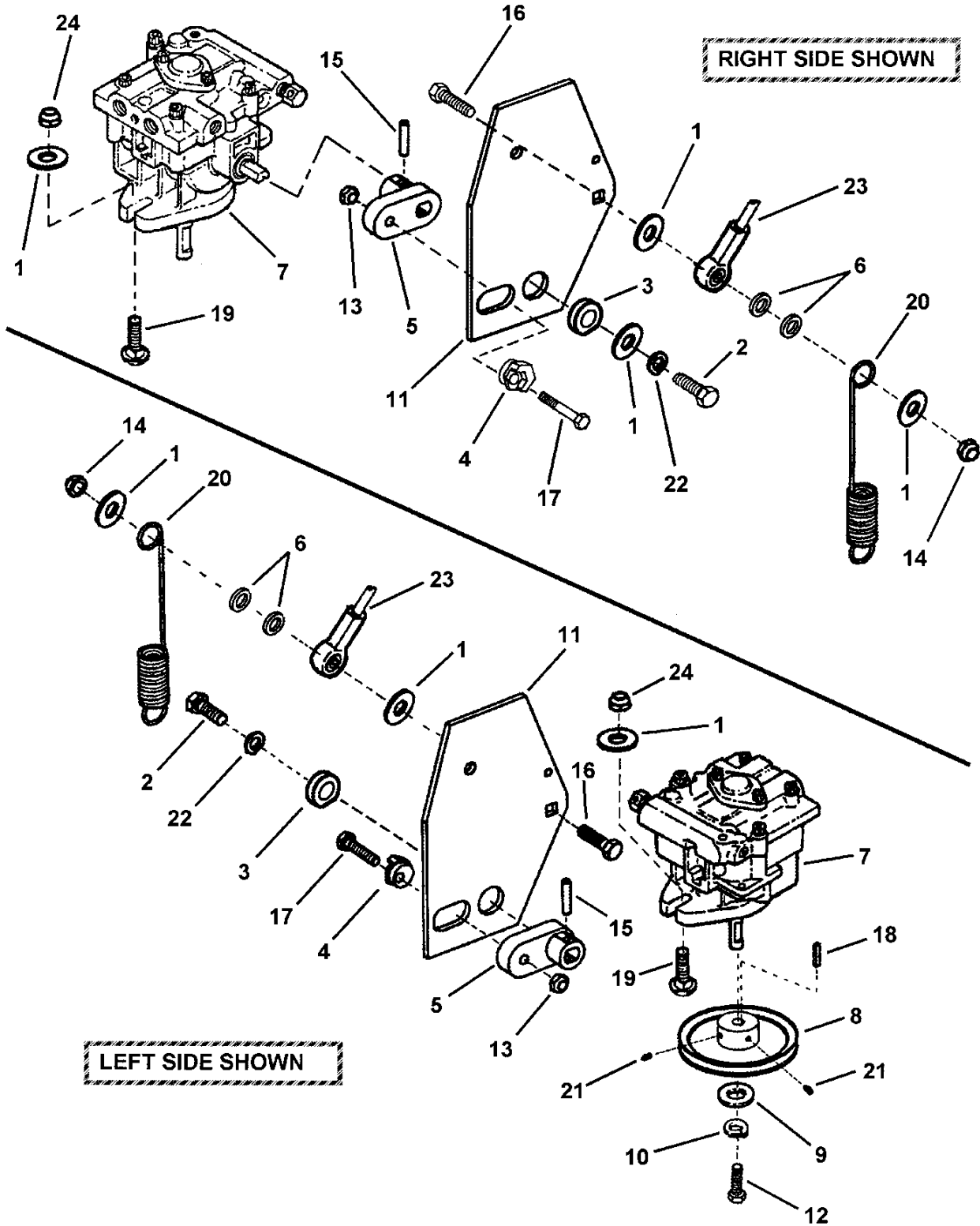
REAR DECK ASSEMBLY

Item	Part No	Qty	Description	Note
28A	7027206	1	BUSHING	
28B	7075084	3	SPACER,Clutch, Ogura	
29	7016561	1	BUSHING, 1" x 14 Ga Machine	

Footnotes:

NOTE: * Part numbers are printed on belts.

PUMP AND SHELF ASSEMBLIES

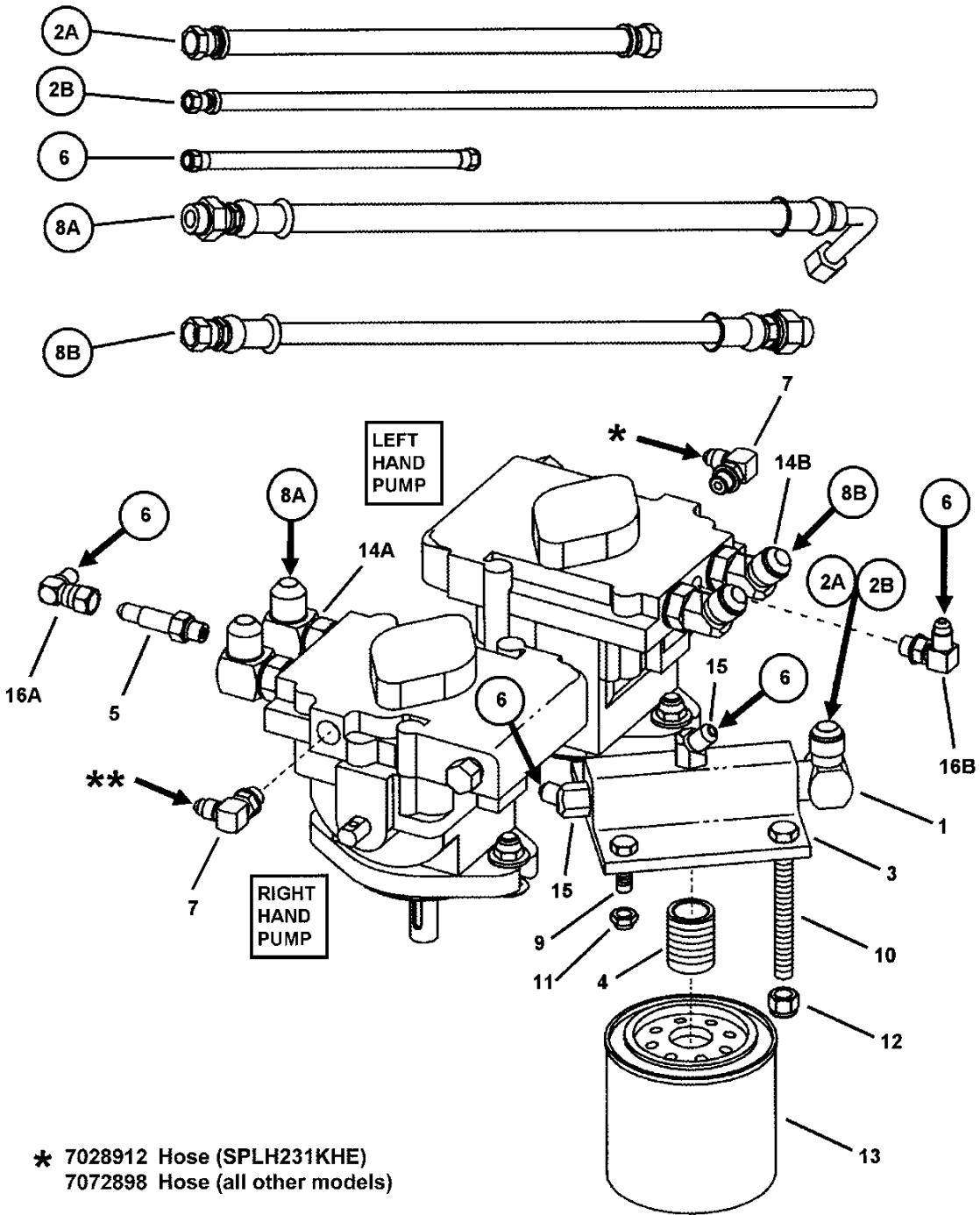


PUMP AND SHELF ASSEMBLIES

Item	Part No	Qty	Description	Note
1	7091528	6	WASHER, 3/8" I.D. x 7/8" O.D. x 1/16" Flat	
2	7091318	2	SCREW, 5/16-18 x 3/4" Hex Head Cap, GR 5	
3	7029000	2	SPACER, Blade Hub	
4	7028862	2	ECCENTRIC	
5	7028863	2	ARM, Pump	
6	7028907	4	BUSHING, Spring	
7	7027127	2	HYDRAULIC PUMP	
8	7027131	2	PULLEY, 5.5 w/Set Screws	<i>Includes two 1/4-20 set screws</i>
9	7091627	2	WASHER, 1/4" Flat	
10	7027223	2	WASHER, 1/4" I.D. Split Lock	
11	7072893	2	SHIFT ARM, Pump	
12	7091835	2	SCREW, M6 1.0 x 12mm Hex Head Cap	
13	7091705	4	NUT, 1/4-20 Hex Top Lock, GR B	
14	7091575	2	NUT, 5/16-18 Hex Center Lock, GR 5 or B	
15	7091721	2	ROLL PIN, 5mm x 25mm	
16	7091527	2	SCREW, 5/16-18 x 1-1/4" Hex Head Cap, GR 5	
17	7090825	4	SCREW, 1/4-20 x 1-1/4, Hex Head Cap, GR 5	
18	7027199	2	KEY, M5 x M20	
19	7027181	4	BOLT, 3/8-16 x 1-1/4" Short Neck Carriage, GR 5	
20	7072579	2	SPRING, Hydro	
21	7077680	2	SETSCREW- 1/4-20 x 3/8" Socket Head Knurled Cup Point	
22	7091315	2	WASHER, .32 x .58 x .08 Split Lock	
23	7027139	2	ROD END, Pump Control Linkage (5/16-24 thread)	
24	7091704	4	NUT, 3/8-16 Hex Top Lock, GR B	

Footnotes:

HOSE ASSEMBLY



* 7028912 Hose (SPLH231KHE)
7072898 Hose (all other models)

** 7028912 Hose (SPLH231KHE)
7072910 Hose (all other models)

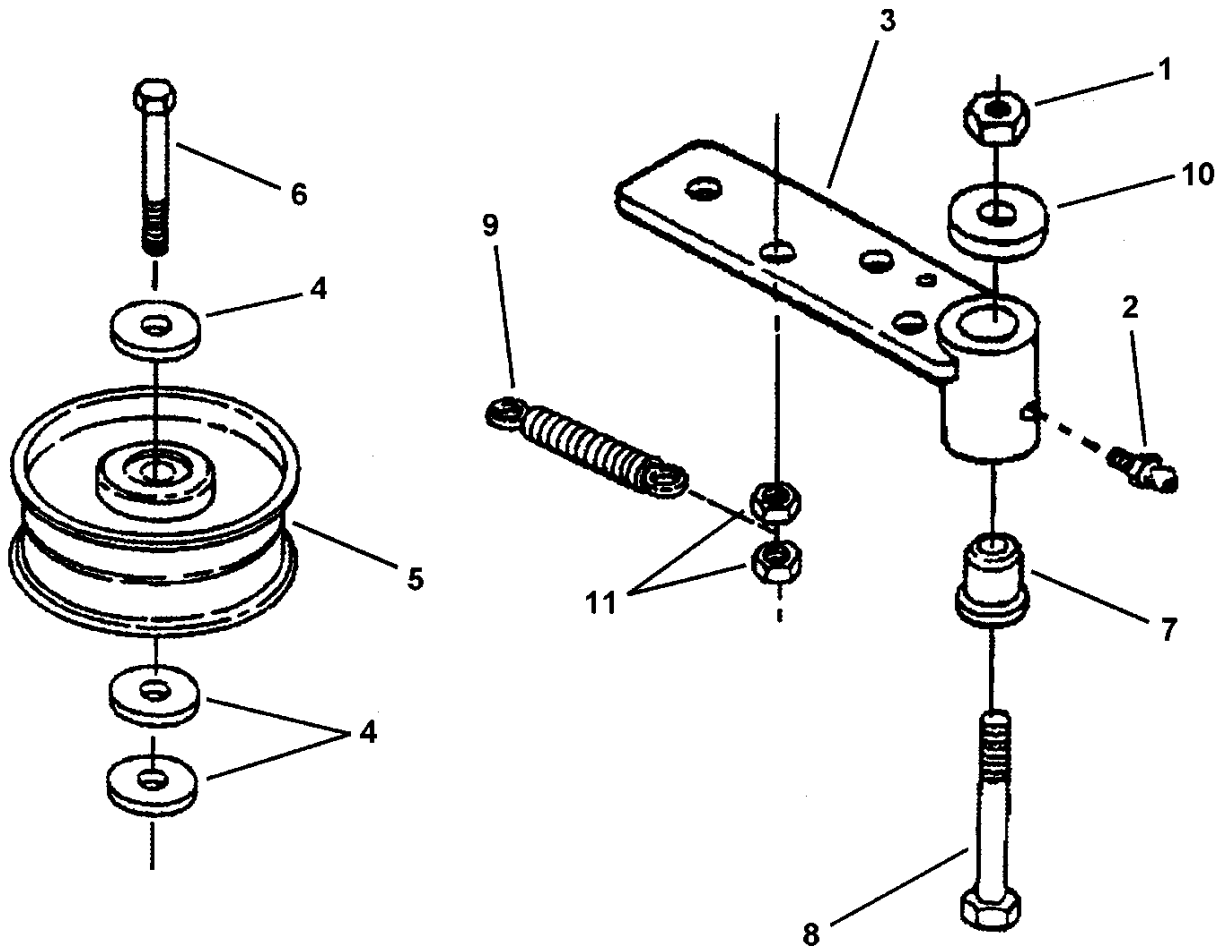
***NOTE: USE PERMATEX #2
FOR THREAD SEALER
AS NEEDED.**

HOSE ASSEMBLY

Item	Part No	Qty	Description	Note
1	7027106	1	FITTING, External 90 Degree w/37 Degree Flare	<i>1/2-14 & 3/4-16 Threads</i>
2A	7027118	1	HOSE, 1/2 x 16-1/2" Long (3/4-16 Female Thread, Both Ends)	<i>used on SPLH231KHE only</i>
2B	702898	1	HOSE, 1/2 x 16-1/2" Long (7/16-20 Thread)	<i>used on All Other models</i>
3	7027165	1	MOUNT, Oil Filter	
4	7027200	1	FITTING, 7/16-20 Straight	<i>(Right Side Pump Only)</i>
5	7027108	1	FITTING, 7/16-20 Straight w/"O"-Ring	<i>(Right Side Pump Only)</i>
6	7028912	2	HOSE, 10-1/2" Long (7/16-20 Female Thread)	
7	7027111	2	FITTING, 90 Degree- "O"-Ring Boss	
8A	7027120	2	HOSE, Pump/Motor High Pressure, 24-1/2"	<i>(Right Side Pump Only)</i>
8B	7029058	2	HOSE, Pump/Motor, High Pressure 21-1/2"	<i>(Left Side Pump Only)</i>
9	7027168	3	SCREW, 5/16-18 X 1" Hex Head Cap, GR 5	
10	7027221	1	BOLT, 3/8-16 x 3-1/2" Hex Head, GR 5	
11	7091706	3	NUT, 5/16-18 Hex Top Lock, GR B	
12	7091299	2	NUT, 3/8-16 Hex Nyloc	
13	7027164	1	OIL FILTER	
14A	7027112	2	FITTING, 90 Degree w/"O"-Ring Boss	<i>(Right Side Pump Only)</i>
14B	7027113	2	FITTING, 45 Degree w/SAE "O"-Ring Boss	<i>(Left Side Pump Only)</i>
15	7027105	2	FITTING, External 45 Degree w/37 Degree Flare	
16A	7027109	1	FITTING, 90 Degree w/37 Degree Swivel	<i>(Right Side Pump Only)</i>
16B	7027110	1	FITTING, 90 Degree w/"O"-Ring Boss	<i>(Left Side Pump Only)</i>

Footnotes:

POWER UNIT IDLER ASSEMBLY

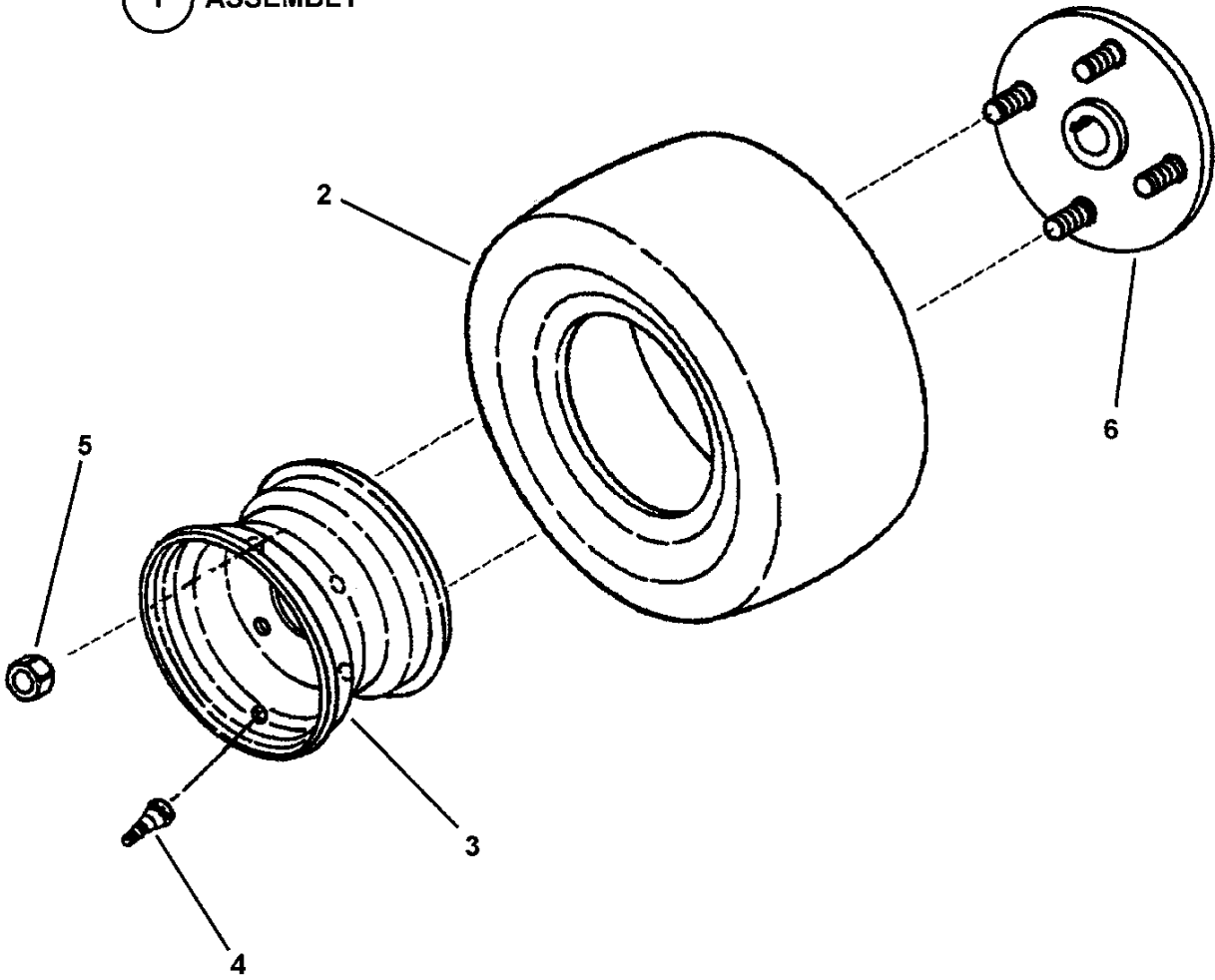


POWER UNIT IDLER ASSEMBLY

Item	Part No	Qty	Description	Note
1	7091704	1	NUT, 3/8-16 Hex Top Lock, GR B	
2	7076998	1	GREASE FITTING, 1/4-28 Straight	
3	7026886	1	IDLER ARM Weldment	
4	7091300	3	WASHER, .44 x 1.0 x .08 Flat	
5	7027129	1	PULLEY, Idler	
6	7027220	1	BOLT, 3/8-16 x 3-1/4" Hex Head, GR 5	
7	7016173	1	SPACER, Pivot	
8	7027221	1	BOLT, 3/8-16 x 3-1/2" Hex Head, GR 5	
9	7027124	1	SPRING, Idler Tension (extension)	
10	7016561	1	BUSHING, 1" x 14 Ga Machine	
11	7091299	2	NUT, 3/8-16 Hex Nyloc	

Footnotes:

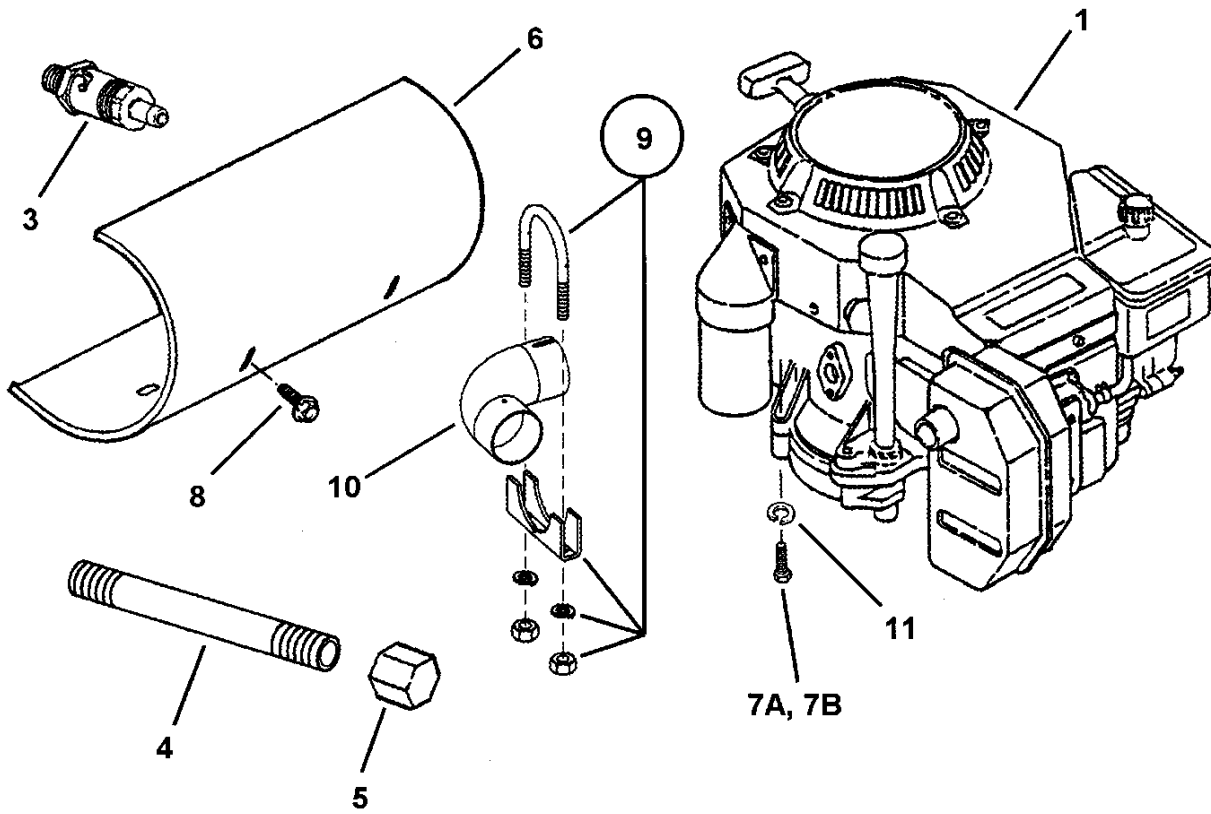
1 ASSEMBLY



TRACTION, REAR WHEEL ASSEMBLY

Item	Part No	Qty	Description	Note
1	7058880	2	ASSEMBLY, Rear Tire & Rim	<i>Includes item 2, 3A & 6A</i>
1	7058425	2	ASSEMBLY, Rear Tire & Rim, Turf Saver, Gray	<i>Includes item 2, 3B & 6B</i>
2	7073526	1	TIRE, 16 x 6.50-8, 4 Ply (Carlisle "Turf Chief")	
3	7027189	1	RIM (White)	
3	7075729	1	RIM (Gray)	
4	7012234	1	AIR VALVE, Snap-In	<i>Goodyear p/n TR-412</i>
5	7027192	8	LUG-NUT, 1/2-20 Tapered Seat	
6	7027191	2	WHEEL HUB, w/4 threaded studs	
6	7075303	2	WHEEL HUB, w/4 threaded studs	

Footnotes:



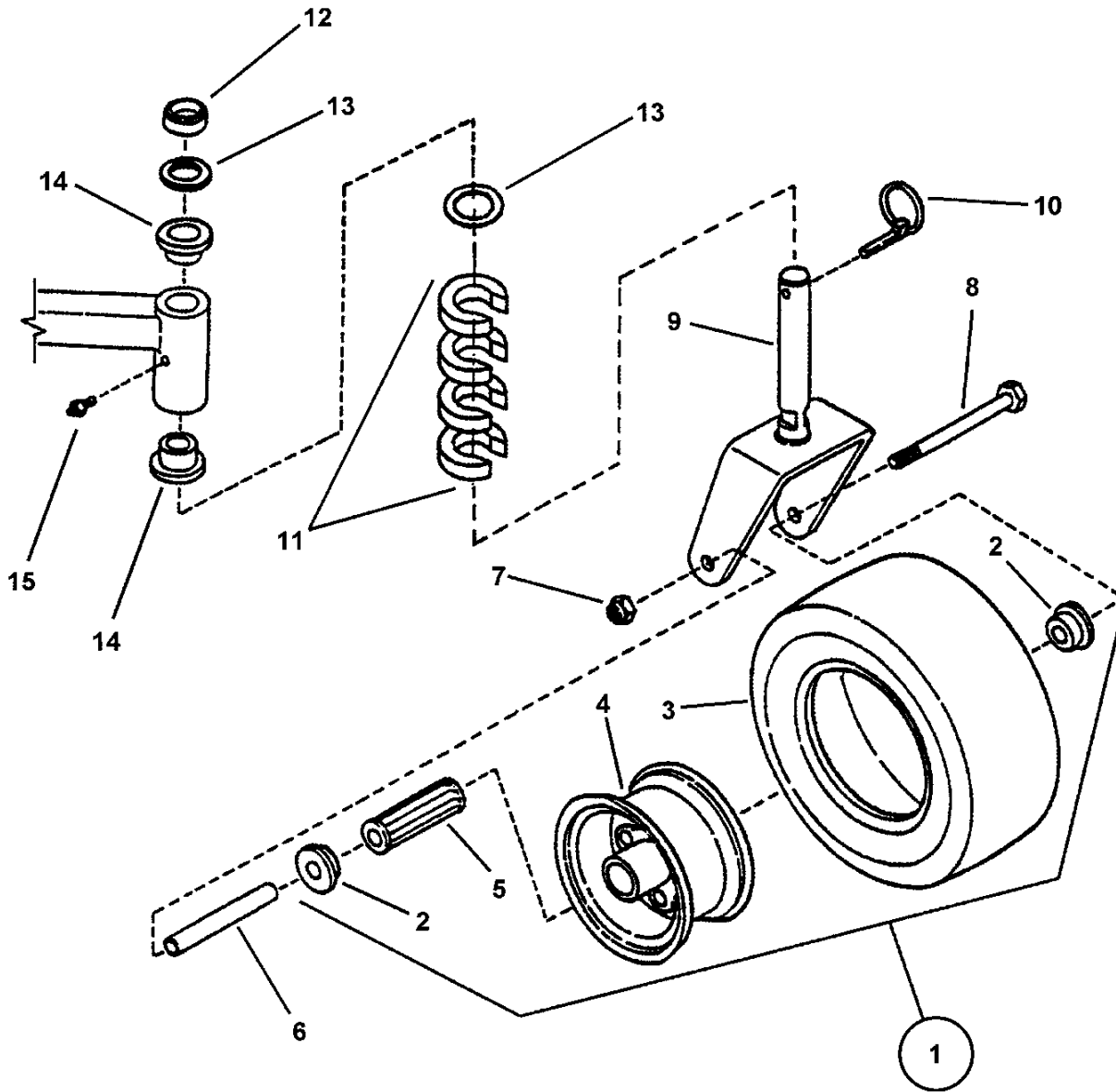
ENGINE GROUP

Item	Part No	Qty	Description	Note
1		1	* ENGINE, 14HP Kawasaki	<i>Spec. No. FC420V-DS09</i>
1		1	* ENGINE, 14HP Kohler	<i>Model CV14T; Spec. No. PS-1464; (shown)</i>
1		1	* ENGINE, 14HP Kawasaki Electric Start	<i>Spec. No. FC420V-HS01</i>
1		1	* ENGINE, 14HP Kawasaki Electric Start	<i>Spec. No. FC420V-HS09</i>
1		1	* ENGINE, 15HP Kohler	<i>Spec. No. PS-41579</i>
1		1	* ENGINE, 15HP Kawasaki	<i>Spec. No. FH430V-AS02</i>
1		1	* ENGINE, 17HP Kawasaki	<i>Model No. FH500V; Spec. No. AS17</i>
1		1	* ENGINE, 17HP Kawasaki	<i>Spec. No. FH500V-AS02</i>
1		1	* ENGINE, 22HP Kohler	<i>Model No. CV22S; Spec. No. PS-75512</i>
1		1	* ENGINE, 23HP Kohler	<i>Model No. CV23S; Spec. No. PS-75539</i>
2	7028959	1	MUFFLER, V-Twin Kohler	<i>not shown; used on SPLH231KHE only</i>
3	7027972	1	ASSEMBLY, Oil Valve	
4	7017783	1	PIPE, Oil	<i>used on SPLH231KHE only</i>
5	7017814	1	CAP, Oil Drain	<i>used on SPLH231KHE only</i>
6	7028958	1	HEAT SHIELD	<i>used on SPLH231KHE only</i>
7A	7077692	4	SCREW, M8 x 1.25 x 25.0 Hex Head Cap, Class 8.8	<i>used on Kawasaki & Kohler 15HP models</i>
7B	7091540	4	SCREW, 5/16-18 x 1-1/2" Hex Head Cap, GR 5	<i>used on Kawasaki 17HP & Kohler 23HP models</i>
8	7091649	4	SCREW, #8-18 x 9/16" Hex Washer Self-Tap	<i>used on SPLH231KHE only</i>
9	7043813	1	ASSY, Clamp (Incl. Clamp, U-Bolt, 2 Split Lock Washers & 2 Hex Nuts)	<i>used on SPLH231KHE only</i>
10	7043814	1	ELBOW, Exhaust	<i>used on SPLH231KHE only</i>
11	7091315	4	WASHER, .32 x .58 x .08 Split Lock	
12	7074953	1	ADAPTER, Oil Drain	<i>Kawasaki #59071-7004 (not shown)</i>
13	7074954	1	O-RING	<i>not shown</i>

Footnotes:

NOTE: * Purchase engine & engine parts, other than those listed, from engine manufacturer dealer.

CASTER, WHEEL & TIRE ASSEMBLY



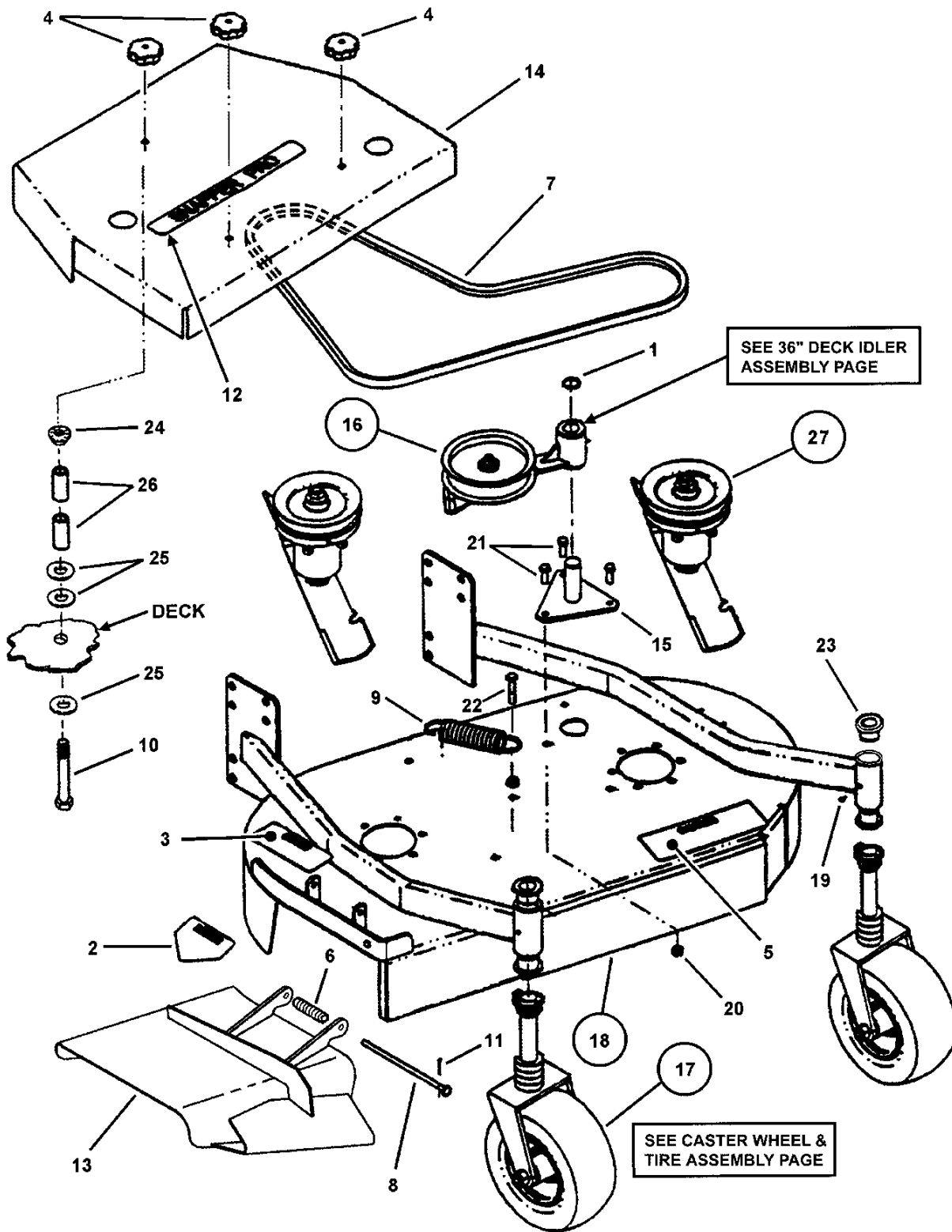
CASTER, WHEEL & TIRE ASSEMBLY

Item	Part No	Qty	Description	Note
1	7029869	2	* ASSEMBLY, Wheel & Tire (White Rim); incl. items 2 thru 5	
1	7057711	2	* ASSEMBLY, Wheel & Tire (Gray Rim); incl. items 2 thru 5	<i>or 7058167</i>
2	7022394	2	RETAINER, Flanged	
3	7029870	1	TIRE, 9 x 3.50-4	
4	7029871	1	RIM, One-Piece Steel (White)	<i>includes Items 2 & 5</i>
4	7057737	1	RIM, One-Piece Steel (Gray)	<i>includes Items 2 & 5</i>
5	7022395	2	BEARING, Roller	
6	7022151	2	SLEEVE, Axle	
7	7091922	2	NUT, 1/2-13 Hex Nyloc	
8	7091326	2	BOLT, 1/2-13 x 5-1/2" Hex Head Cap, GR 5	
9	7042780	2	WELDMENT, Yoke Caster	
10	7017711	2	LYNCH PIN, 7/16" Heavy Duty	
11	7019152	8	SPACER	
12	7021960	2	SPACER, PM	
13	7023747	2	BUSHING, 1"	
14	7046626	4	BUSHING, Caster	
15	7076998	2	LUBE FITTING, 1/4-28 Straight	

Footnotes:

NOTE: * Also includes an air valve (7012234) and a 45 degree grease fitting (7046430).

36" MOWER DECK ASSEMBLY (Fixed Height)



36" MOWER DECK ASSEMBLY (Fixed Height)

Item	Part No	Qty	Description	Note
1	7012709	1	RING, 1" External Retaining	
2	7013010	1	DECAL, Warning (CPSC Cut Finger)	
3	7073647	1	DECAL, Danger, Keep Hands and Feet Away	
4	7023735	3	KNOB, Hood (5/16-18 thread)	
5	7024156	1	DECAL, Caution- Operator Instruction	
6	7027950	1	SPRING, Chute	
7	7035710	1	* V-BELT, 36" Deck Drive (Nom. Effective Length: 84.80")	
8	7029277	1	HINGE PIN, Chute	
9	7029278	1	SPRING, Idler	
10	7076940	3	SCREW, 5/16-18 x 4-1/2" Hex Head Cap, GR 5	
11	7091313	1	COTTER PIN, 3/32 x 1"	
12	7046580	1	DECAL, SNAPPER Pro w/Trademark	
13	7058871	1	DEFLECTOR, 36" ANSI Compliant (Weldment)	
14	7034963	1	COVER, 36"	
15	7041295	1	PIVOT, Idler Arm (Weldment)	
16	7054018	1	ASSEMBLY, Idler Arm, 36"	
17	7057736	2	ASSEMBLY, Caster Red w/Gray Wheel	
18	7054021	1	ASSEMBLY, 36" Deck, Fixed Height	<i>Deck weldment (7044665) plus 4 bushings (7023556)</i>
19	7076998	2	LUBE FITTING, 1/4-28 Straight	
20	7091299	5	NUT, 3/8-16 Hex Nyloc	
21	7091304	3	BOLT, 3/8-16 x 1" Hex Head Cap, GR 5	
22	7091305	1	SCREW, 3/8-16 x 2" Hex Head Cap, GR5	
23	7044626	4	BUSHING, Caster	
24	7091601	3	NUT, 5/16-18 Hex Flange Lock, GR 5	
25	7091528	9	WASHER, 3/8" I.D. Flat	
26	7021128	6	SPACER	
27	7054011	2	ASSEMBLY, Spindle	<i>see Cutter Housing Assembly page</i>

Footnotes:

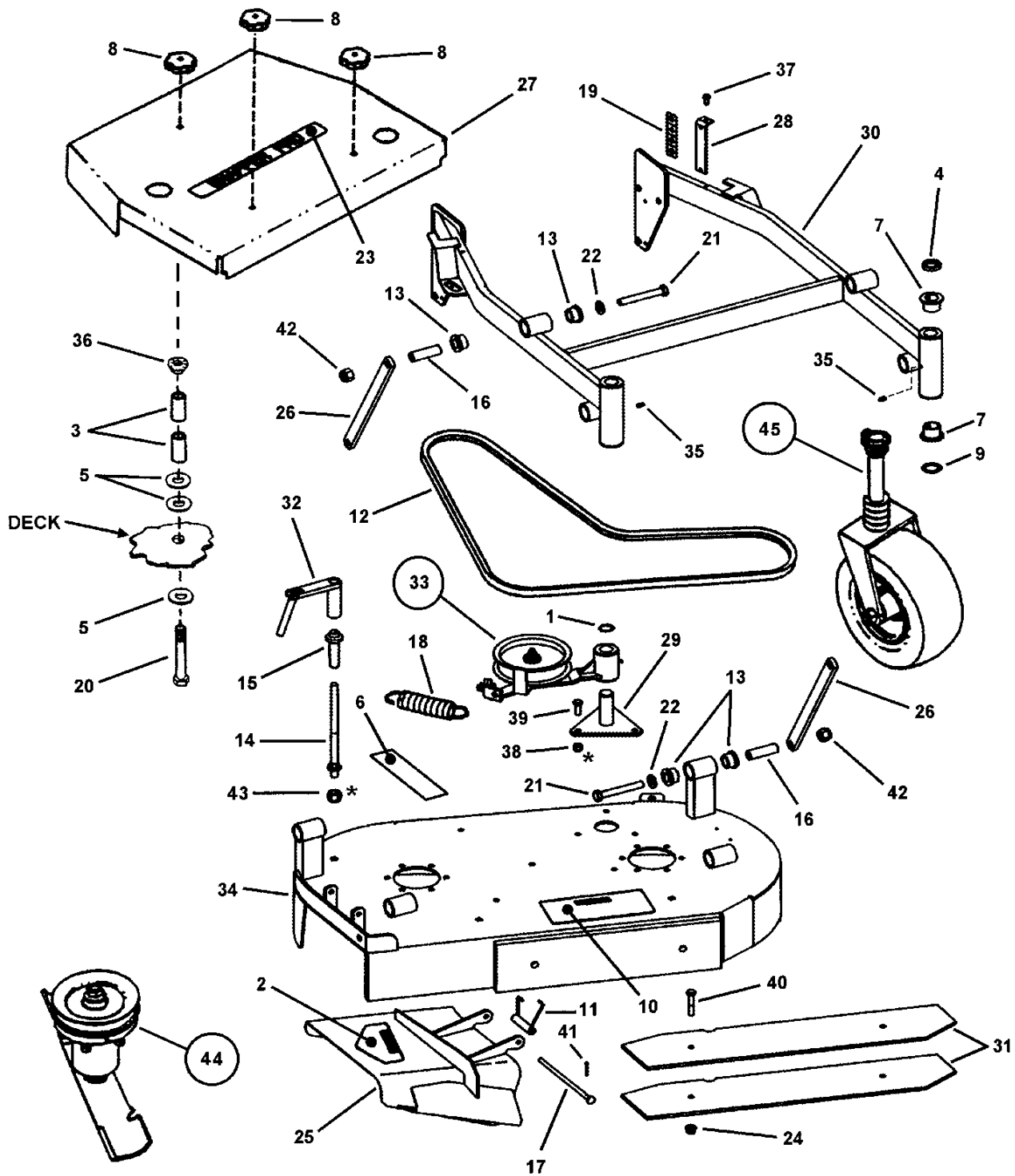
NOTE: * Part numbers are printed on belts.

36" MOWER DECK ASSEMBLY (Adjustable Height)

Item	Part No	Qty	Description	Note
1	7012709	1	RING, 1" External Retaining	
2	7013010	1	DECAL, Warning (CPSC Cut Finger)	
3	7021128	6	SPACER	
4	7021960	2	SPACER, Powdered Metal	
5	7091528	9	WASHER, 3/8" I.D. x 7/8" O.D. x 1/16" Flat	
6	7073647	1	DECAL, Danger Guard/Catcher	
7	7046626	4	BUSHING, Caster	
8	7023735	3	KNOB, Hood (5/16-18 thread)	
9	7023747	2	BUSHING, 1"	
10	7024156	1	DECAL, Caution- Operator Instruction	
11	7027950	1	SPRING, Chute	
12	7035710	1	V-BELT, 36" Deck Drive (Nom. Effective Length: 84.80")	
13	7029258	16	BUSHING, Suspension	
14	7029259	2	STUD, Lift, 1/2-13 Thread, Both Ends	
15	7046214	2	LIFT WASHER (Weldment)	
16	7029263	8	SLEEVE, Suspension	
17	7029277	1	HINGE PIN, Chute	
18	7029278	1	SPRING, Idler	
19	7029295	2	DECAL, Height of Cut	
20	7076940	3	SCREW, 5/16-18 x 4-1/2" Hex Head Cap, GR 5	
21	7029355	8	BOLT, 1/2-13 x 3-3/4" Hex Head, GR 5	
22	7091587	8	WASHER, 1/2" Flat	
23	7046580	1	DECAL, SNAPPER Pro w/Trademark	
24	7090613	2	NUT, 3/8-16 Hex Flange Lock	
25	7058871	1	DEFLECTOR, 36" ANSI Compliant (Weldment)	
26	7034964	4	ARM, Suspension, 12" Long	
27	7034980	1	COVER, 36"	
28	7035279	2	BRACKET, Height-of-Cut	
29	7041295	1	PIVOT, Idler Arm (Weldment)	
30	7042473	1	FRAME, 36" Adjustable (Weldment)	
31	7035756	2	PLATE, Ballasat	
32	7054012	2	ASSEMBLY, Crank	(Includes Crank, 7042477, Handle 7029380 & Roll Pin 7013877)
33	7054018	1	ASSEMBLY, Idler Arm, 36"	see 36" Deck Idler Assembly page
34	7044664	1	WELDMENT, Deck, Adjustable Height (Red)	
35	7076998	2	LUBE FITTING, 1/4-28 Straight	
36	7091601	3	NUT, 5/16-18 Hex Flange Lock, GR 5	
37	7091819	2	SCREW, 1/4-20 x 5/8" Hex Washer Self-Tap	

Footnotes:

36" MOWER DECK ASSEMBLY (Adjustable Height)



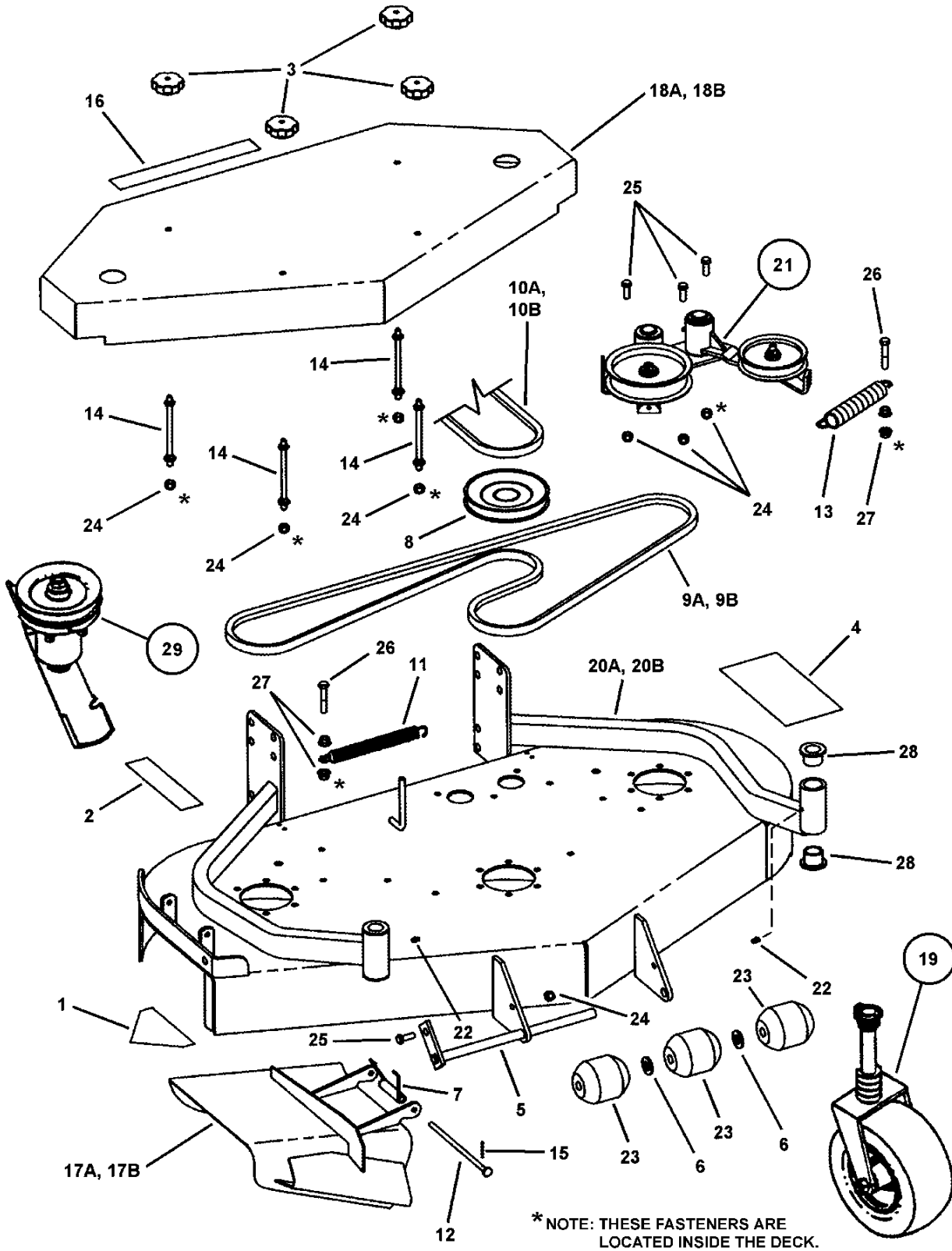
* NOTE: THESE FASTENERS ARE LOCATED INSIDE THE DECK.

36" MOWER DECK ASSEMBLY (Adjustable Height)

Item	Part No	Qty	Description	Note
38	7091299	20	NUT, 3/8-16 Hex Nyloc	
39	7091304	3	SCREW, 3/8-16 x 1" Hex Head Cap, GR 5	
40	7091305	3	SCREW, 3/8-16 x 2" Hex Head Cap, GR5	
41	7091313	1	COTTER PIN, 3/32 x 1"	
42	7091325	8	NUT, 1/2-13 Hex Nyloc	
43	7091894	2	NUT, 1/2-13 Hex Center Lock	
44	7054011	2	ASSEMBLY, Spindle	<i>see Cutter Housing Assembly page</i>
45	7057736	2	ASSEMBLY, Caster (Red)	<i>see Caster, Wheel & Tire Assembly page</i>

Footnotes:

48" & 52" MOWER DECK ASSEMBLY (Fixed Height)

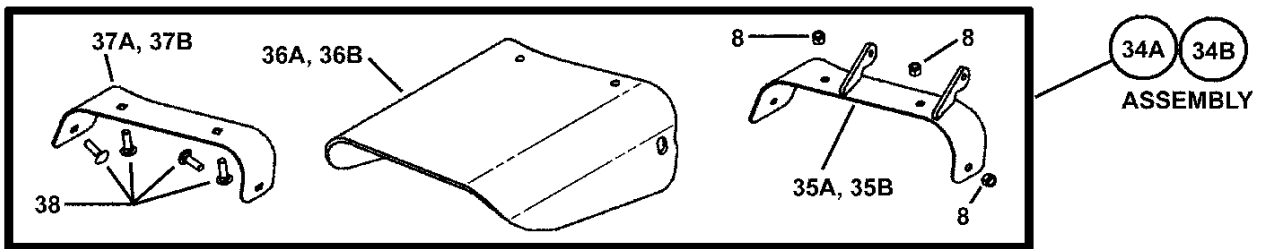
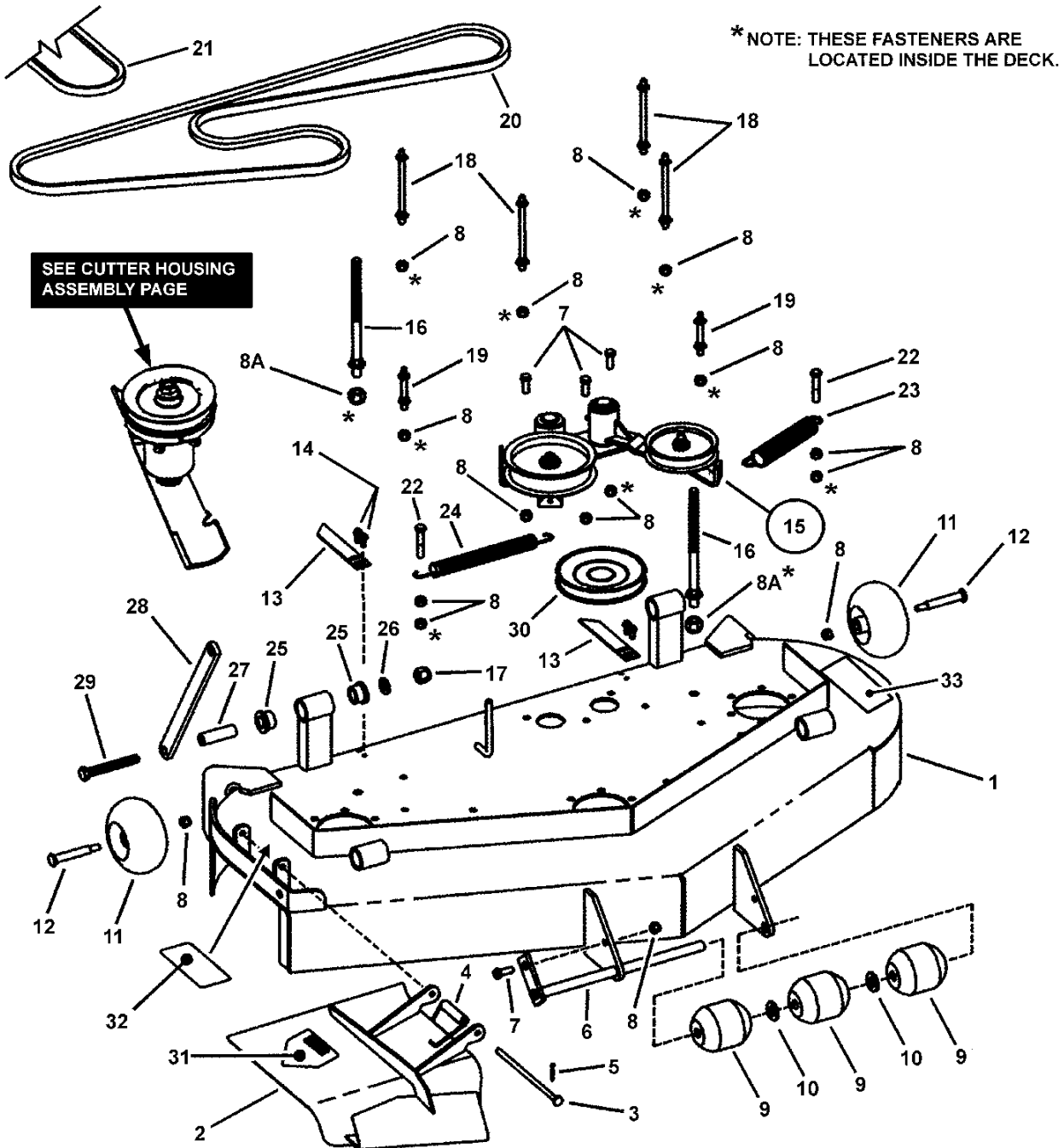


48" & 52" MOWER DECK ASSEMBLY (Fixed Height)

Item	Part No	Qty	Description	Note
1	7013010	1	DECAL, Warning (CPSC Cut Finger)	
2	7073647	1	DECAL, Danger Guard/Catcher	
3	7023735	4	KNOB, Hood (5/16-18 thread)	
4	7024156	1	DECAL, Caution- Operator Instruction	
5	7027327	1	PIVOT, Roller Pin (Weldment)	
6	7027344	2	WASHER, 5/8" Flat	
7	7027950	1	SPRING, Chute	
8	7029249	1	PULLEY, Driven, 5-3/4" O.D.	
9A	7029261	1	* V-BELT, Secondary 48" (113" Long)	
9B	7029266	1	* V-BELT, Secondary 52" (120" Long)	
10A	7029262	1	* V-BELT, Primary 48" (66" Long)	
10B	7029267	1	* V-BELT, Primary 52" (69" Long)	
11	7072915	1	SPRING, Extension, Primary Idler	
12	7029277	1	HINGE PIN, Chute	
13	7029278	1	SPRING, Idler	
14	7029281	4	STANDOFF, 4-1/2" Long (5/16-18 thread top; 3/8-16 bottom)	
15	7091313	1	COTTER PIN, 3/32 x 1"	
16	7046580	1	DECAL, SNAPPER Pro w/Trademark	
17A	7058873	1	DEFLECTOR, 48" ANSI Compliant (Weldment)	
17B	7058285	1	DEFLECTOR, 52" Euro Chute	
18A	7054013	1	COVER, 48" Deck	
18B	7054014	1	COVER, 52" Deck	
19	7054020	2	ASSEMBLY, Caster Red (Fixed Deck)	<i>see Caster, Wheel & Tire Assembly page</i>
20A	7054022	1	ASSEMBLY, 48" Deck (Fixed Height)	<i>Deck weldment (7042461) plus 4 bushings (7023556)</i>
20B	7054027	1	ASSEMBLY, 52" Deck (Fixed Height)	<i>Deck weldment (7041809) plus 4 bushings (7023556)</i>
21	7054023	1	ASSEMBLY, Idler- 3 Spindle Deck	
22	7076998	2	LUBE FITTING, 1/4-28 Straight	
23	7079226	3	ROLLER, Low Density Polyethylene	
24	7091299	8	NUT, 3/8-16 Hex Nyloc	
25	7091304	8	BOLT, 3/8-16 x 1" Hex Head Cap, GR 5	
26	7091305	2	SCREW, 3/8-16 x 2" Hex Head Cap, GR5	
27	7090613	4	NUT, 3/8-16 Hex Flange Lock	
28	7046626	4	BUSHING, Caster	
29	7054011	3	ASSEMBLY, Spindle	<i>see Cutter Housing Assembly Page</i>

Footnotes:

NOTE: * Part numbers are printed on belts.

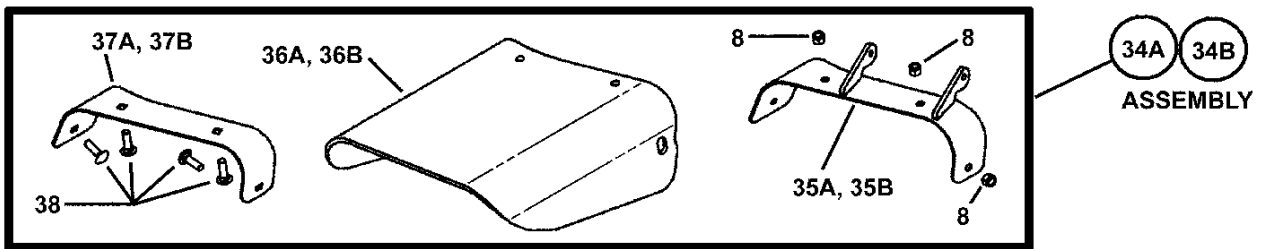
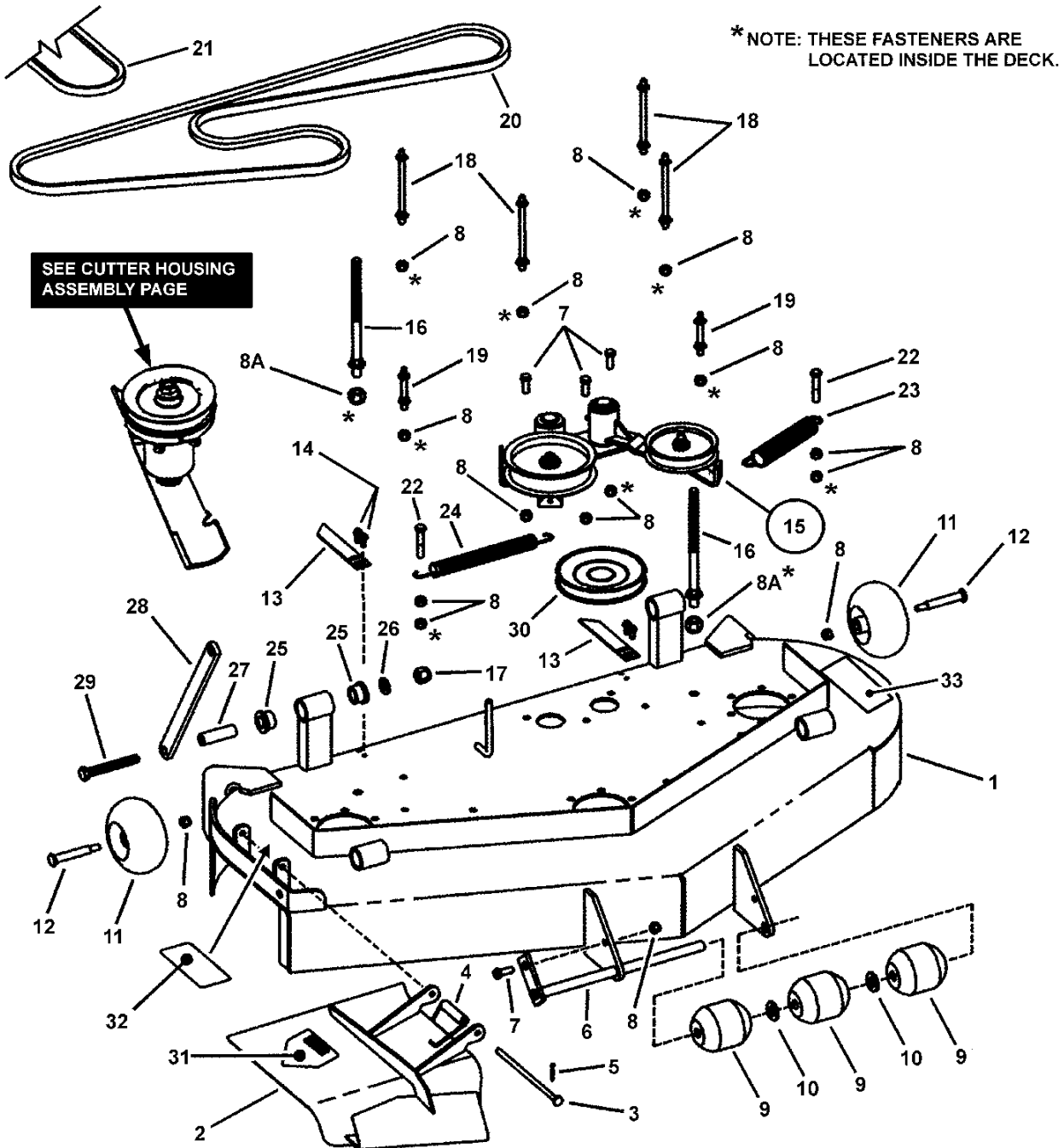


48", 52" & 61" MOWER DECK ASSY (Adj. Height) Pt.1

Item	Part No	Qty	Description	Note
1	7063205	1	WELDMENT, 48" Deck	<i>replaces 7054036 (voided)</i>
1	7045133	1	WELDMENT, 52" Deck	
1	7045165	1	WELDMENT, 61" Deck	
2	7058873	1	DEFLECTOR, 48" Deck ANSI Compliant (Weldment)	
2	7058285	1	DEFLECTOR, 52" Deck Euro (Weldment)	
2	7058291	1	DEFLECTOR, 61" Deck Euro (Weldment)	
3	7029277	1	HINGE PIN, Chute	
4	7027950	1	SPRING, Chute	
5	7091313	1	COTTER PIN, 3/32 x 1"	
6	7027327	1	PIVOT, Roller Pin (Weldment)	
7	7091304	4	SCREW, 3/8-16 x 1" Hex Head Cap, GR 5	
8	7091299	29	NUT, 3/8-16 Hex Nyloc	
8A	7091894	2	NUT, 1/2-13 Hex Center Lock	
9	7079226	3	ROLLER, Low Density Polyethylene	
10	7027344	2	WASHER, 5/8" Flat	
11	7029264	2	WHEEL, Gage	
12	7029265	2	BOLT, 1/2" Dia. Shoulder, 3/8-16 Thread	
13	7034965	2	POINTER, Height-of-Cut	
14	7091819	4	SCREW, 1/4-20 x 5/8" Hex Washer Self-Tap	
15	7054023	1	ASSEMBLY, Idler - 3 Spindle Deck	<i>48" & 61" Decks</i>
15	7054420	1	ASSEMBLY, Idler - 3 Spindle Deck	<i>52" Deck</i>
16	7029259	2	STUD, Lift, 1/2-13 Thread, Both Ends	
17	7091325	8	NUT, 1/2-13 Hex Nyloc	
18	7029281	4	STANDOFF, 4-1/2" Long (5/16-18 thread top; 3/8-16 bottom)	
19	7029280	2	STANDOFF, 2" Long (5/16-18 thread top ; 3/8-16 bottom)	
20	7029261	1	* V-BELT, Secondary, 48" Deck (113" Nom. Eff. Length)	
20	7029266	1	* V-BELT, Secondary, 52" Deck (120" Nom. Eff. Length)	
20	7029268	1	* V-BELT, Secondary, 61" Deck (128" Nom. Eff. Length)	
21	7029262	1	* V-BELT, Primary, 48" Deck (66" Nom. Eff. Length)	
21	7042813	1	* V-BELT, Primary, 52" Deck (69" Nom. Eff. Length)	
21	7042735	1	* V-BELT, Primary, 61" Deck (72" Nom. Eff. Length)	
22	7091305	2	SCREW, 3/8-16 x 2" Hex Head Cap, GR 5	
23	7029278	1	SPRING, Idler	
24	7072915	1	SPRING, Extension, Primary Idler	<i>48" Deck</i>
24	7029272	1	SPRING, Extension, Primary Idler	<i>52" & 61" Deck</i>
25	7029258	16	BUSHING, Suspension	
26	7091587	12	WASHER, 1/2" Flat	

Footnotes:

NOTE: * SNAPPER part number is printed on belt

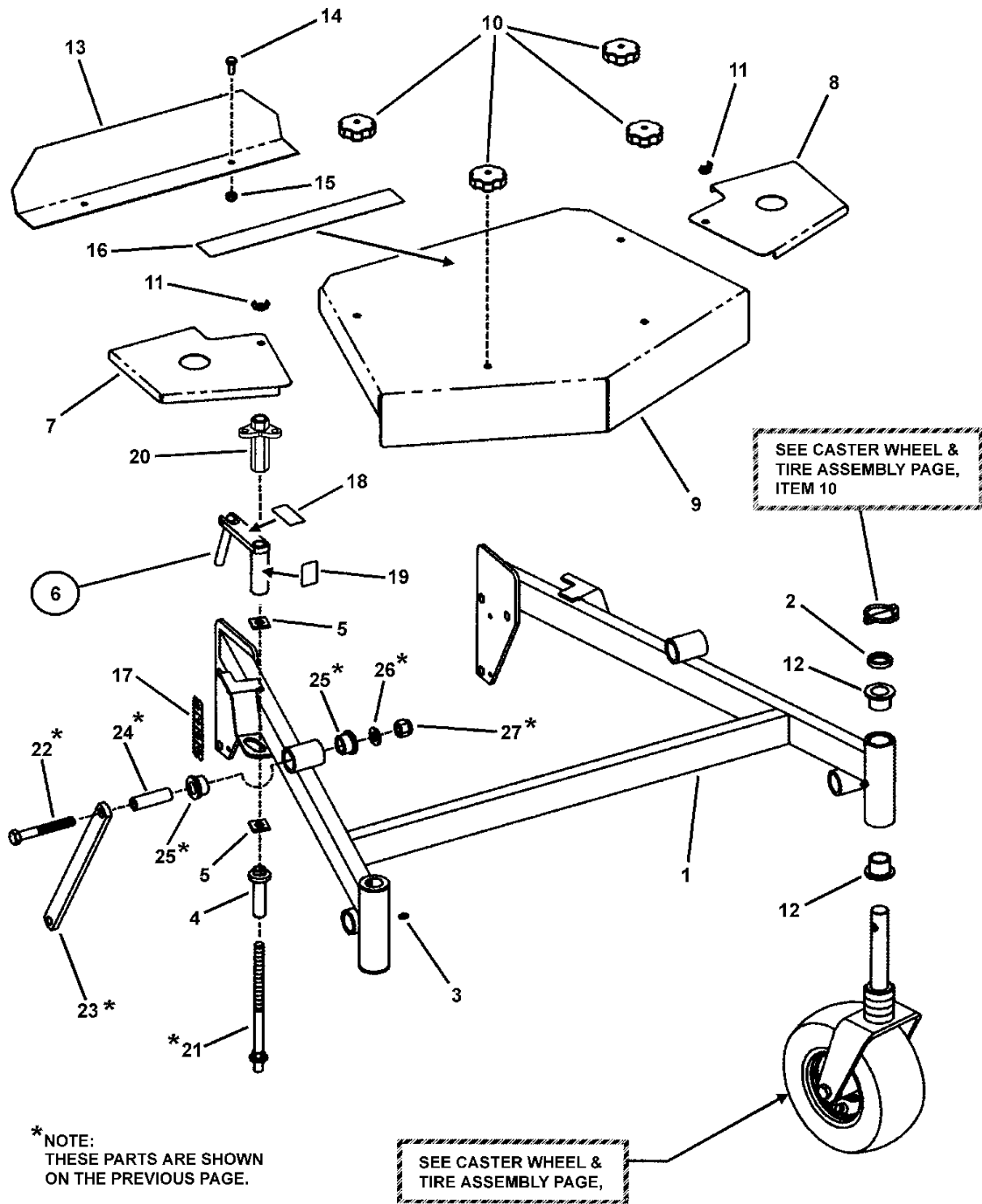


48", 52" & 61" MOWER DECK ASSY (Adj. Height) Pt.1

Item	Part No	Qty	Description	Note
27	7029263	8	SLEEVE, Suspension	<i>all models</i>
28	7034964	2	ARM, Suspension, 12" Long	<i>48" & 52" Decks</i>
28	7034979	4	ARM, Suspension, 13-1/2" Long	<i>61" Deck</i>
29	7029355	8	BOLT, 1/2-13 x 3-3/4" Hex Head, GR 5	
30	7029249	1	PULLEY, 5-3/4" O.D. w/Hub	<i>48" & 52" Decks</i>
30	7029250	1	PULLEY, 6-5/8" Driven	<i>61" Deck</i>
31	7013010	1	DECAL, Warning (CPSC Cut Finger)	
32	7073647	1	DECAL, Danger Guard/Catcher	
33	7024156	1	DECAL, Caution- Operator Instruction	
	7054011	3	ASSEMBLY, Spindle	<i>see Cutter Housing Assembly page</i>
34A	7050513	1	ASSEMBLY, 48" Discharge Chute	
34B	7500231	1	ASSEMBLY, 52" Discharge Chute	
35A	7050590	1	WELDMENT, 48" Deflector Top	
35B	7400008	1	WELDMENT, 52" Deflector Top	
36A	7100621	1	CHUTE, Rubber (48")	
36B	7100623	1	CHUTE, Rubber (52")	<i>replaces 7100087</i>
37A	7078133	1	DEFLECTOR, Bottom (48")	
37B	7300036	1	DEFLECTOR, Bottom (52")	
38	7091790	4	BOLT, 3/8-16 x 1-1/4" Square Neck Carriage, GR 5	<i>used on 48" & 52" Decks only</i>

Footnotes:

NOTE: * SNAPPER part number is printed on belt

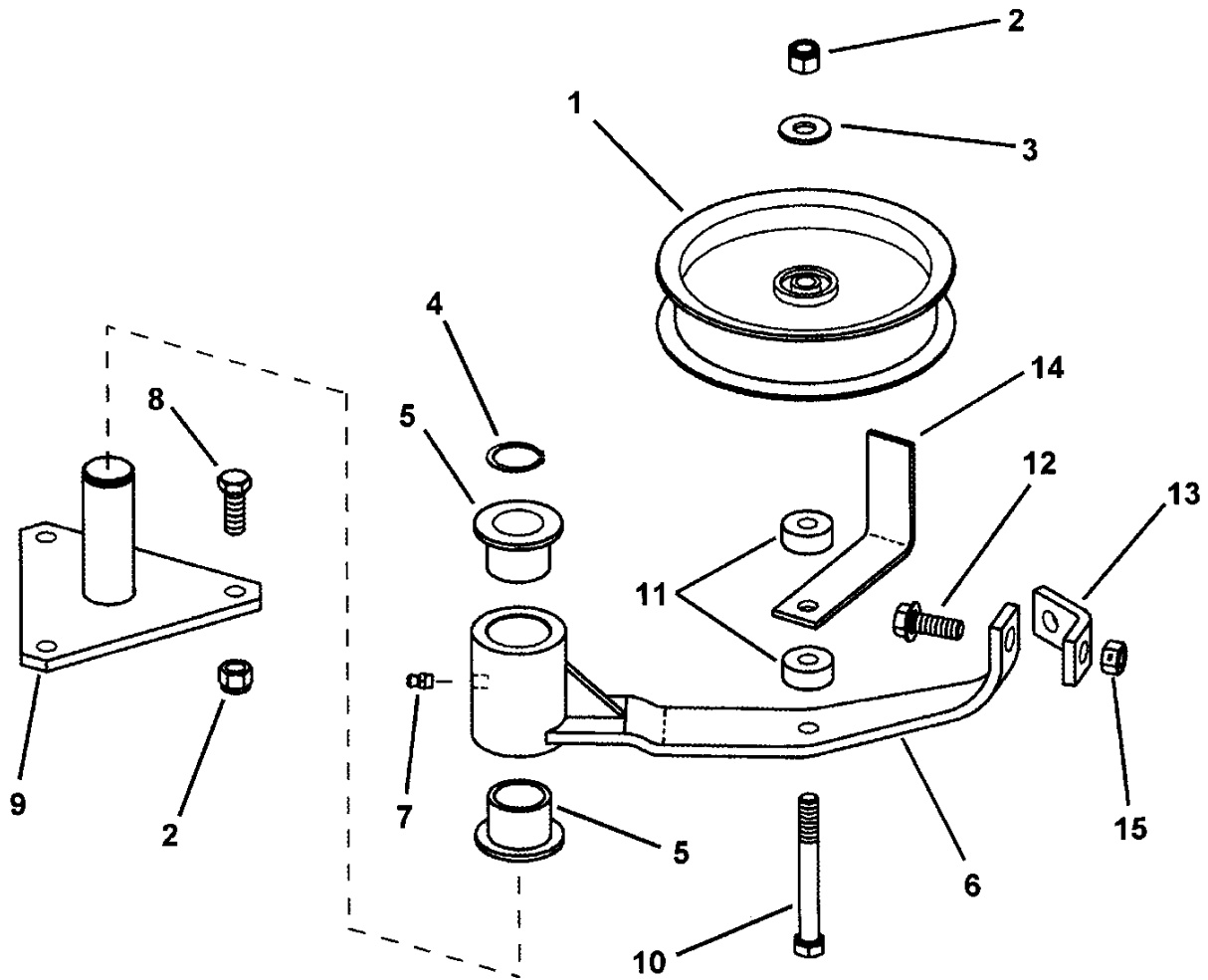


48", 52" & 61" MOWER DECK ASSY (Adj. Height) Pt.2

Item	Part No	Qty	Description	Note
1	7054035	1	WELDMENT, 48" Deck Frame	
1	7041812	1	WELDMENT, 52" Deck Frame	
1	7043865	1	WELDMENT, 61" Deck Frame	
2	7021960	2	SPACER, Powdered Metal	
3	7076998	2	FITTING, 1/4-28 Straight Lube	
4	7046214	2	LIFT WASHER (Weldment)	
5	7029260	1	WASHER, Lift	<i>2 are used on 61" Decks</i>
6	7054012	2	ASSEMBLY, Crank	<i>(Includes Crank, 7042477, Handle 7029380 & Roll Pin 7013877)</i>
7	7035285	1	COVER, 48" Right	
7	7046607	1	COVER, 52" Right	
7	7035314	1	COVER, 61" Right	
8	7035286	1	COVER, 48" Left	
8	7046606	1	COVER, 52" Left	
8	7035313	1	COVER, 61" Left	
9	7035287	1	COVER, 48" Center	
9	7035303	1	COVER, 52" Center	
9	7035315	1	COVER, 61" Center	
10	7023735	4	KNOB, Hood (5/16-18 thread)	
11	7024085	2	WING NUT, 5/16-18	
12	7046626	4	BUSHING	
13	7044667	1	SHIELD, Muffler (SPA610, SPA611)	
14	7091318	2	SCREW, 5/16-18 x 3/4" Hex Head Cap, GR 5	
15	7091298	2	NUT, 5/16-18 Hex Nyloc	
16	7046580	1	DECAL, SNAPPER Pro w/Trademark	
17	7029295	2	DECAL, Height of Cut	
18	7043815	1	DECAL, Caution Handle May Be Hot (Adjustable Decks only)	
19	7043816	1	DECAL, Oil Threads Here (Adjustable Decks only)	
20	7400156	1	WELDMENT, Pro Knob	<i>used on 48" Deck only</i>
21	7029259	2	STUD, Lift, 1/2-13 Thread, Both Ends	
22	7029355	8	BOLT, 1/2-13 x 3-3/4" Hex Head, GR 5	
23	7034964	2	ARM, Suspension, 12" Long	<i>48" & 52" Decks</i>
23	7034979	4	ARM, Suspension, 13-1/2" Long	<i>61" Deck</i>
24	7029258	16	BUSHING, Suspension	
25	7029258	16	BUSHING, Suspension	
26	7091587	12	WASHER, 1/2" Flat	
27	7091325	8	NUT, 1/2-13 Hex Nyloc	

Footnotes:

36" DECK IDLER ASSEMBLY

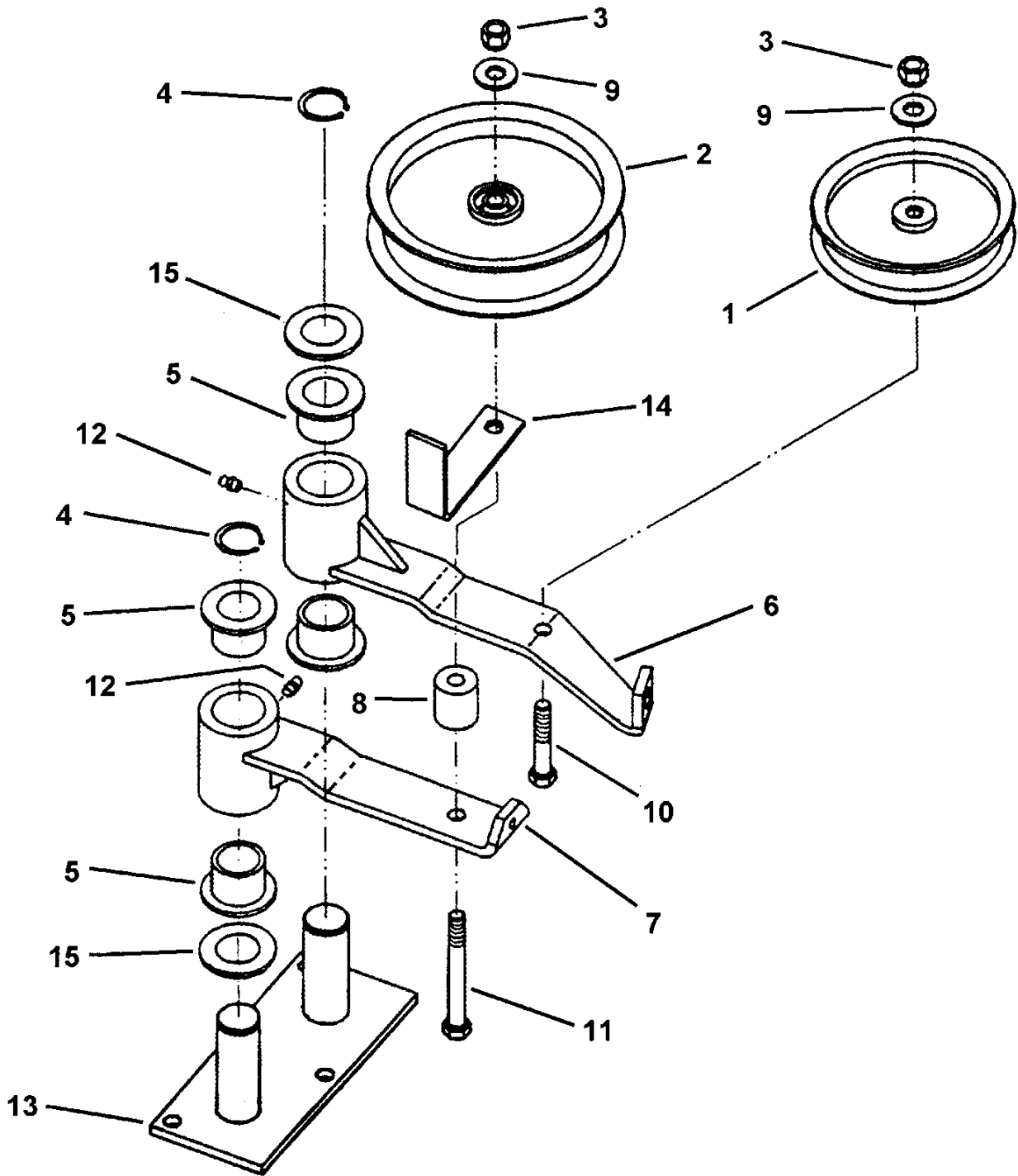


36" DECK IDLER ASSEMBLY

Item	Part No	Qty	Description	Note
1	7034422	1	PULLEY, Idler (5.00 O. D.)	
2	7091299	4	NUT, 3/8-16 Hex Nyloc	
3	7091300	2	WASHER, .44 x 1.0 x .08 Flat	
4	7012709	1	RING, 1" External Retaining	
5	7046626	2	BUSHING	
6	7042448	1	IDLER ARM, 36" (Weldment)	
7	7076998	1	GREASE FITTING, 1/4-28 Straight	
8	7091304	3	SCREW, 3/8-16 x 1" Hex Head Cap, GR 5	
9	7041295	1	PIVOT, Idler Arm (Weldment)	
10	7027220	1	BOLT, 3/8-16 x 3-1/4" Hex Head, GR 5	
11	7029723	2	SPACER, .380 I.D. x 1" O.D. x .410 Thick	
12	7027198	1	BOLT, 3/8-16 x 1" Hex Flange Lock, GR 5	
13	7036429	1	BRACKET, Idler (Pro 36)	
14	7035656	1	RETAINER, Belt - Idler	
15	7091585	1	NUT, 3/8-16 Hex Center Lock, GR 5 or B	

Footnotes:

48" & 61" DECK IDLER ASSEMBLY

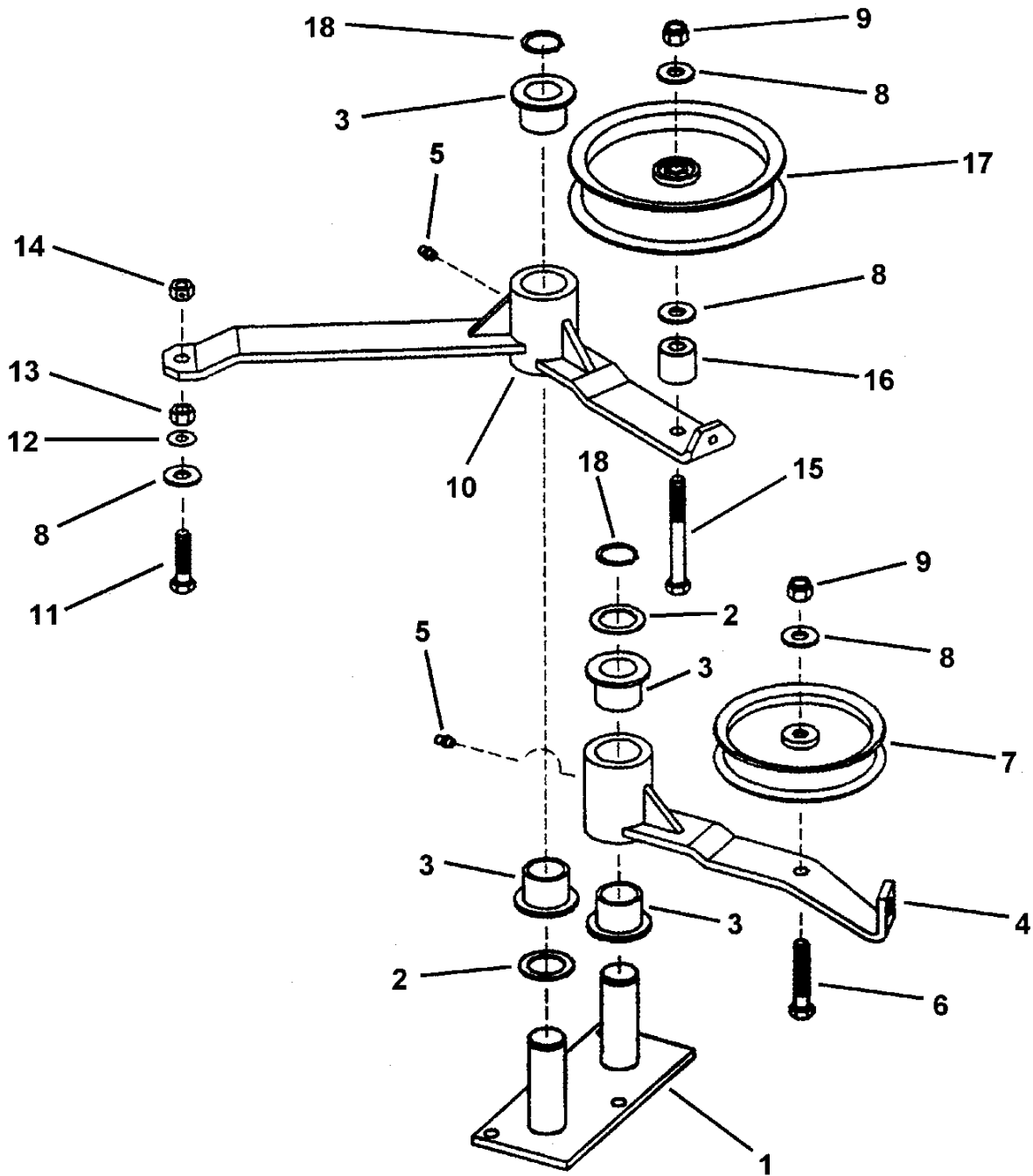


48" & 61" DECK IDLER ASSEMBLY

Item	Part No	Qty	Description	Note
1	7029273	1	PULLEY, Idler	
2	7034422	1	PULLEY, Flat Idler, 5" O.D.	
3	7091299	2	NUT, 3/8-16 Hex Nyloc	
4	7012709	2	RING, 1" External Retaining	
5	7046626	4	BUSHING	
6	7042452	1	WELDMENT, Idler Arm, Secondary	
7	7042450	1	WELDMENT, Idler Arm, Primary	
8	7035657	1	SPACER, Idler Pulley	
9	7091300	2	WASHER, 3/8" Flat	
10	7091305	1	SCREW, 3/8-16 x 2" Hex Head Cap, GR 5	
11	7027220	1	BOLT, 3/8-16 x 3-1/4" Hex Head Cap, GR 5	
12	7076998	1	LUBE FITTING, 1/4-28 Straight	
13	7042465	1	WELDMENT, Idler Pivot	
14	7035656	1	RETAINER, Belt - Idler	
15	7023747	2	BUSHING, 1" I.D. Machine	

Footnotes:

52" DECK IDLER ASSEMBLY

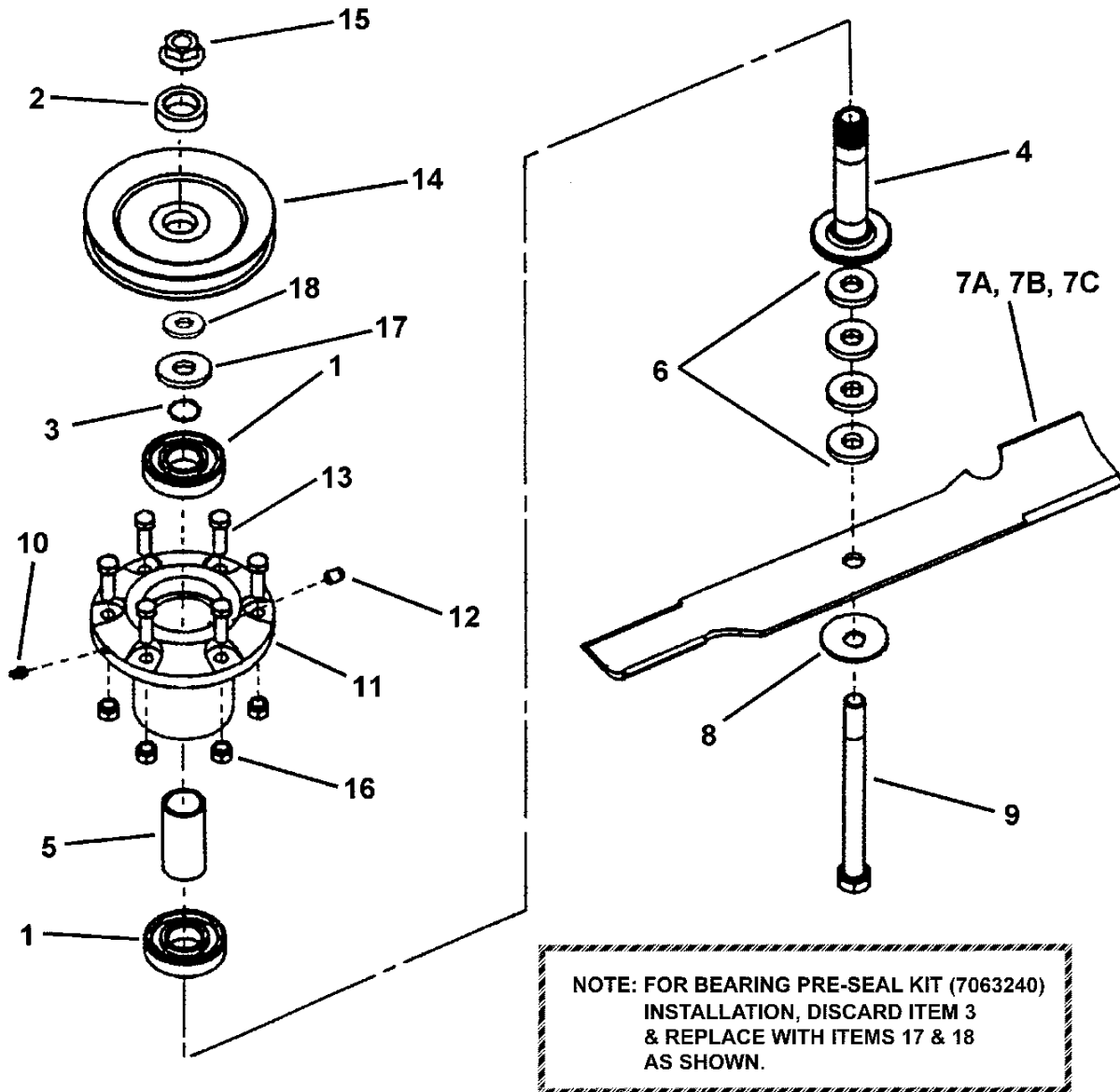


52" DECK IDLER ASSEMBLY

Item	Part No	Qty	Description	Note
1	7042465	1	WELDMENT, Idler Pivot	
2	7023747	2	BUSHING, Machine	
3	7046626	4	BUSHING, Flange	
4	7042452	1	WELDMENT, Secondary Idler Arm	
5	7076998	2	LUBE FITTING, 1/4-28 Straight	
6	7091305	1	SCREW, 3/8-16 x 2" Hex Head Cap, GR 5	
7	7029273	1	PULLEY, Idler	
8	7091300	4	WASHER, .44 x 1.0 x .08 Flat	
9	7091299	2	NUT, 3/8-16 Hex Nyloc	
10	7042775	1	WELDMENT, Primary Idler Arm, SPA521	
11	7091497	1	SCREW, 3/8-16 x 1-1/2" Hex Head Cap, GR 5	
12	7013847	1	RETAINER, 3/8" Bolt	
13	7091302	1	NUT, 3/8-16 Hex, GR 5	
14	7091585	1	NUT, 3/8-16 Hex Center lock	
15	7027220	1	BOLT, 3/8-16 x 3-1/4" Hex Head, GR 5	
16	7035657	1	SPACER, Idler Pulley	
17	7034422	1	PULLEY, Idler (5.00 O. D.)	
18	7012709	2	RING, 1" External Retaining	

Footnotes:

CUTTER HOUSING ASSEMBLY



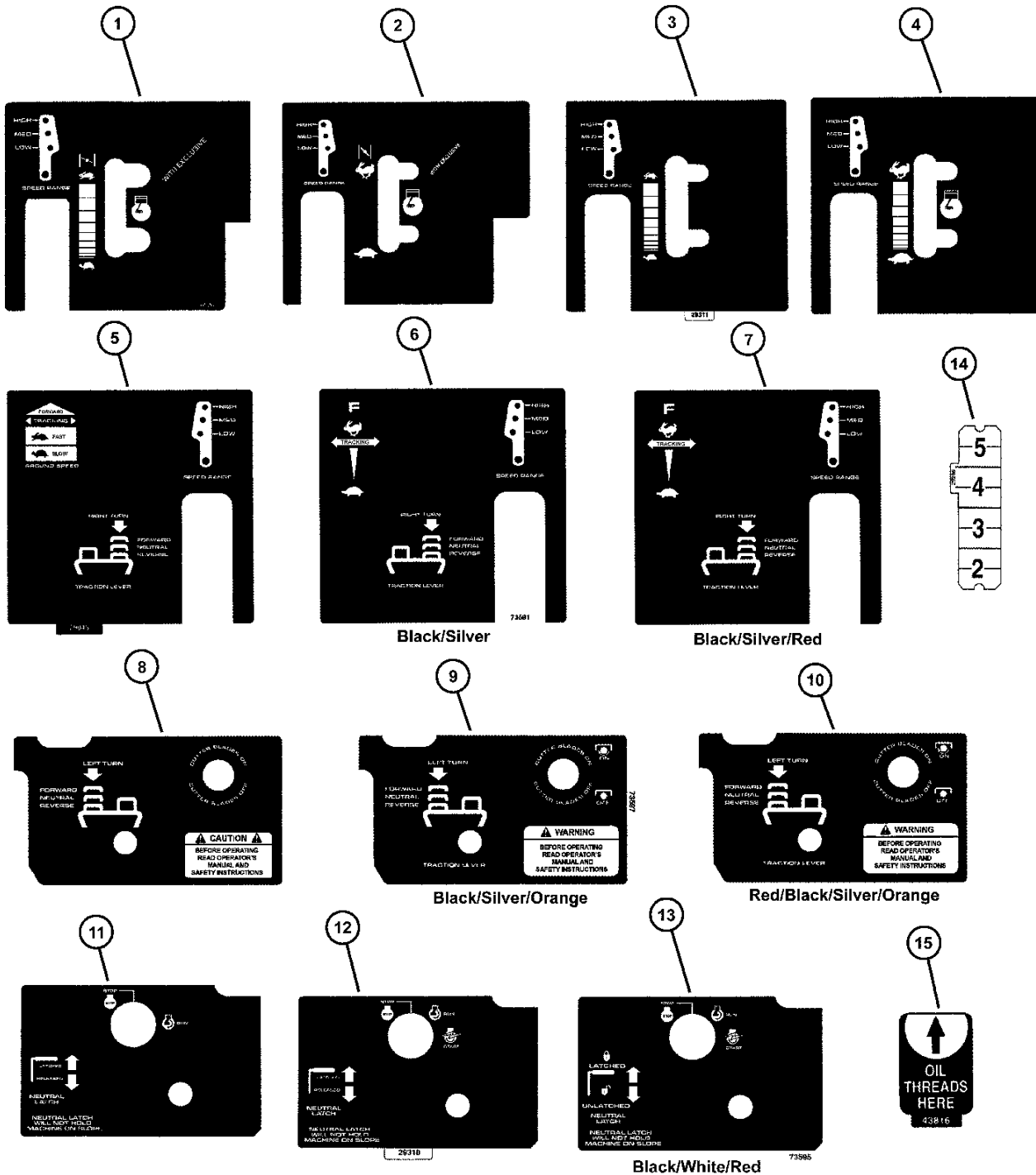
CUTTER HOUSING ASSEMBLY

Item	Part No	Qty	Description	Note
1	7029422	2	BEARING, Sealed	
2	7029270	1	WASHER, Spindle	
3	7029274	1	SNAP-RING, Spindle Shaft	
4	7059311	1	ASSEMBLY, Spindle Shaft	
5	7029254	1	SPACER, Bearing	
6	7029271	4	SPACER, Blade	
7A	7073395	3	BLADE, Commercial, 18" Low Lift	<i>for 36" (2 blades) or 52" decks (3 blades)</i>
7B	7073396	3	BLADE, 21" Low Lift	<i>for 61" decks; (or use 7075770, high lift blade)</i>
7C	7075771	3	BLADE, 16-1/2"	<i>for 48" deck</i>
8	7016440	1	WASHER, Beveled	
9	7029256	1	BOLT, 5/8-18 x 7-1/2" Hex Head Cap, GR 5	
10	7029275	1	LUBE FITTING, 1/4-28 Straight (Thread Forming)	
11	7029252	1	* HOUSING, Cutter	
12	7029384	1	GREASE VENT, Spindle	
13	7029302	6	BOLT, 3/8-16 x 1-1/4" Rib Necked	
14	7029245	1	PULLEY, 5-3/4" O.D.	<i>for 48", 52" & 61" decks</i>
14	7029249	1	PULLEY, 5-3/4" O.D. w/Hub	<i>for 36" deck</i>
15	7091736	1	NUT, 5/8-18 Hex Flange Lock, GR 5	
16	7091299	6	NUT, 3/8-16 Hex Nyloc	
17	7063238	1	** SEAL, Nylos	
18	7013370	1	** WASHER	

Footnotes:

NOTE: * 7054017, Spindle Housing sub-assembly is made of items 11, 12 & 13.

NOTE: ** To install Bearing Pre-Seal Kit (7063240) discard item 3 & replace with items 17 & 18 as shown.



DECALS - Left & Right Panels

Item	Part No	Qty	Description	Note
1	7074257	1	DECAL, Left Panel, Engine Control w/Choke	
2	7075755	1	DECAL, Left Panel, Throttle w/Choke (Hydro)	
3	7029311	1	DECAL, Left Panel, Engine Control w/o Choke	
4	7073592	1	DECAL, Left Panel, Throttle w/o Choke (Hydro)	
5	7029045	1	DECAL, Right Panel, Instruction	
6	7073591	1	DECAL, Right Panel, Instruction	
7	7075758	1	DECAL, Right Panel, Instructions	
8	7029041	1	DECAL, Left Panel, Switch	<i>replaced by 7073597</i>
9	7073597	1	DECAL, Left Panel, Switch	
10	7075757	1	DECAL, Left Panel, Switch	
11	7029044	1	DECAL, Right Panel, Switch	
12	7029310	1	DECAL, Right Panel, Switch, Electric Start	
13	7073595	1	DECAL, Right Panel, Switch, Electric Start (Hydro)	
14	7029295	1	DECAL, Height of Cut	
15	7043816	1	DECAL, Oil Threads Here (Adjustable Decks only)	

Footnotes:

CAUTION

THIS PRODUCT IS DESIGNED FOR PROFESSIONAL AND COMMERCIAL USE. OPERATION TRAINING IS REQUIRED.

READ SAFETY INSTRUCTIONS AND OPERATIONS MANUAL.

WORKING CONDITIONS:

- PRACTICE WITH CUTTED BLADES OFF.
- KEEP MOWING AREA OF ALL USERS CLEAR AND UNDER CONTROL.
- KEEP ALL BLADES, GUARDS AND SHIELDS IN PLACE AND WORKING.
- DO NOT BYPASS OR DISABLE ANY SAFETY DEVICES.
- WEAR EYEWEAR AND OTHER SAFETY EQUIPMENT.
- WEAR HEAR SAFETY GLASSES WHILE OPERATING.
- WEAR SAFETY SHOES WITH "STOP" TREAD AND REMOVAL KEY.
- WEAR LEAK-PROOFING FOOTWEAR.
- WEAR LATCHES WILL NOT HOLD MACHINE ON SLOPE.
- WEAR RESISTANCE ALLOW SEVERAL MINUTES FOR ENGINE TO COOL DOWN.
- MOWING BEHIND IN WET, SLOPED AREA.

NOTE: ALWAYS PARK MACHINE ON LEVEL SURFACE.

TO OBTAIN OPERATOR'S MANUAL AND SAFETY INSTRUCTIONS, CONTACT SNAPPER DEALER OR WRITE FACTORY:

SNAPPER POWER EQUIPMENT
PO BOX 777
BROOKHURST, GA 30602, USA

OPERATION

BEFORE OPERATING, CHECK THE FOLLOWING: BLADES, SWITCH "OFF", LEAVE CONTROLS IN NEUTRAL AND NEUTRAL LATCH "SET".

MOVE THROTTLE TO HIGH SPEED. (CHOKE MAY BE REQUIRED)

TURN KEY TO "RUN".

START ENGINE.

DEPRESS OPC SAFETY LEVER.

TO MOW, FLIP BLADE CLUTCH SWITCH TO "ON".

MOVE GROUND SPEED LEVER TO SLOW OPERATING SPEED.

MOVE BOTH TRACTION CONTROL LEVERS TO RELEASE NEUTRAL LATCH.

SLOWLY RELEASE BOTH TRACTION CONTROL LEVERS TO MOVE FORWARD.

SQUEEZE BOTH TRACTION CONTROL LEVERS PAST NEUTRAL TO MOVE IN REVERSE.

NEUTRAL LATCH MUST BE RELEASED BY MOVING THE FORWARD SPEED LEVER TO THE LEFT OR RIGHT.

STOPPING MOWER

- MOVE THROTTLE TO IDLE POSITION AND ALLOW ENGINE TO COOL.
- TURN KEY TO "STOP" POSITION.
- REMOVE IGNITION KEY WHEN LEAVING MACHINE.

DANGER

KEEP HANDS AND FEET AWAY. DO NOT OPERATE MOWER UNLESS GUARDS OR THE ENTIRE GRASS CATCHER IS IN ITS PROPER PLACE.

ASSEMBLE CHUTE DEFLECTOR TO THIS UNIT BEFORE OPERATING.

WARNING

AVOID SERIOUS INJURY OR DEATH

- READ, UNDERSTAND AND FOLLOW ALL INSTRUCTIONS AND WARNINGS IN OPERATOR'S MANUAL AND ON MACHINE.
- THIS MACHINE IS DESIGNED FOR PROFESSIONAL USERS. DO NOT OPERATE UNTIL THOROUGHLY TRAINED AND FAMILIAR WITH ALL CONTROLS AND PROPER USE OF THIS MACHINE.
- PRACTICE OPERATION WITH BLADES OFF IN OPEN FLAT AREA.
- DO NOT OPERATE WITHOUT GUARDS OR ENTIRE GRASS CATCHER IN PLACE.
- DO NOT BYPASS OR DISABLE ANY SAFETY DEVICES.
- OPERATOR PROTECTIVE EQUIPMENT REQUIRED: SAFETY GLASSES, LONG PANTS, AND SUBSTANTIAL FOOTWEAR.
- DO NOT LEAVE OPERATOR'S POSITION WITH ENGINE RUNNING. STOP BLADES, STOP ENGINE, REMOVE KEY.
- DO NOT REFUEL WITH ENGINE RUNNING OR HOT. ADD FUEL ONLY WHEN ENGINE IS COOL AND WITH MACHINE IN AN OPEN AREA.
- DO NOT ALLOW CHILDREN OR OTHERS IN MOWING AREA WHEN MACHINE IS OPERATE (EVEN WITH BLADES OFF).
- DO NOT PARK MACHINE ON SLOPES.
- DO NOT OPERATE MOWER WITH MACHINE IN REVERSE.

TO OBTAIN OPERATOR'S MANUAL AND SAFETY INSTRUCTIONS, CONTACT SNAPPER DEALER OR WRITE FACTORY:

SNAPPER POWER EQUIPMENT
PO BOX 777
BROOKHURST, GA 30602, USA

OPERATION

BEFORE OPERATING, CHECK THE FOLLOWING: BLADE CLUTCH SWITCH "OFF", TRACTION LEVERS IN "NEUTRAL", NEUTRAL LATCH "SET".

SET THROTTLE TO HIGH SPEED. (CHOKE MAY BE REQUIRED)

TURN KEY TO "RUN".

START ENGINE.

DEPRESS OPC SAFETY LEVER.

TO MOW, FLIP BLADE CLUTCH SWITCH TO "ON".

MOVE GROUND SPEED LEVER TO A SLOW SPEED.

SQUEEZE BOTH TRACTION LEVERS TO RELEASE NEUTRAL LATCH.

SLOWLY RELEASE BOTH TRACTION LEVERS TO MOVE FORWARD.

SQUEEZE BOTH TRACTION CONTROL LEVERS PAST NEUTRAL TO MOVE IN REVERSE.

WARNING

TO AVOID SUDDEN AND UNEXPECTED TURNING, BOTH TRACTION LEVERS MUST BE MOVED THE SAME WAY WHEN STARTING OR STOPPING MACHINE MOTION.

STOPPING MOWER

- SQUEEZE BOTH TRACTION CONTROL LEVERS TO NEUTRAL POSITION AND "SET" NEUTRAL LATCH.
- SWITCH "OFF" BLADE CLUTCH SWITCH.
- MOVE THROTTLE TO IDLE POSITION.
- TURN KEY TO "STOP" POSITION.
- REMOVE IGNITION KEY WHEN LEAVING MACHINE.

CAUTION

OPEN BELT DRIVE. Stop engine before reaching underneath.

CAUTION

HANDLE MAY BE HOT

CAUTION

HANDLE MAY BE HOT

SNAPPER PRO

SNAPPER PRO

SNAPPER

DANGER

KEEP HANDS and FEET AWAY



CAUTION

BEFORE MOWING:

- READ OPERATOR'S MANUAL AND OTHER INSTRUCTIONS FURNISHED WITH THIS MACHINE AND THE ATTACHMENTS.
- PRACTICE WITH BLADE OFF TO LEARN CONTROLS AND PROPER OPERATION.
- MAKE SURE THAT GUARDS, CONTROLS, AND OTHER SAFETY DEVICES ARE IN PROPER POSITION AND FUNCTIONAL.
- CLEAR MOWING AREA OF WIRE, ROCKS, AND OTHER OBJECTS THAT COULD CAUSE INJURY IF THROWN BY BLADE.

TO AVOID INJURY PROTECT CHILDREN AND OTHER PEOPLE:

- DO NOT ALLOW CHILDREN (PRETEEN-AGERS) AND OTHERS SAFELY AWAY FROM OPERATING AREA.
- TEENAGERS AND OTHER INEXPERIENCED OPERATORS MUST BE CAREFULLY INSTRUCTED AND CLOSELY SUPERVISED.
- BE CAREFUL ON SLOPES.
- DO NOT MOW ON ANY SLOPE OR OTHER AREA WHERE STABILITY OR TRACTION IS IN DOUBT.

- MOW ACROSS SLOPES. NOT UP AND DOWN.
- REDUCE SPEED AND AVOID SHARP TURNS ON SLOPES.
- DO NOT USE SLIPY OR SLOPES.
- AVOID DITCHES AND OTHERS DROP-OFFS.
- AVOID CONTACT WITH ROTATION BLADE.
- STOP BLADE AND ENGINE BEFORE ATTEMPTING TO UNBLOCK DISCHARGE OR PLACING HANDS OR FEET NEAR BLADE.
- DO NOT LEAVE OPERATOR'S POSITION UNLESS BLADE AND ENGINE ARE STOPPED.
- REMOVE KEY WHEN LEAVING MACHINE UNATTENDED.

WARNING

DO NOT operate the Snapper Pro Express, SPE Series, mower decks with any Snapper Pro Hydro, SPLH series, Power Units without first installing the Front Weight Ballast Kit.

DO NOT operate the Snapper Pro Express, SPE Series, mower decks on any non-SPE series Snapper Pro Gear, SPP or SPL, Power Units without first installing the Front Weight Ballast Kit.

36

48

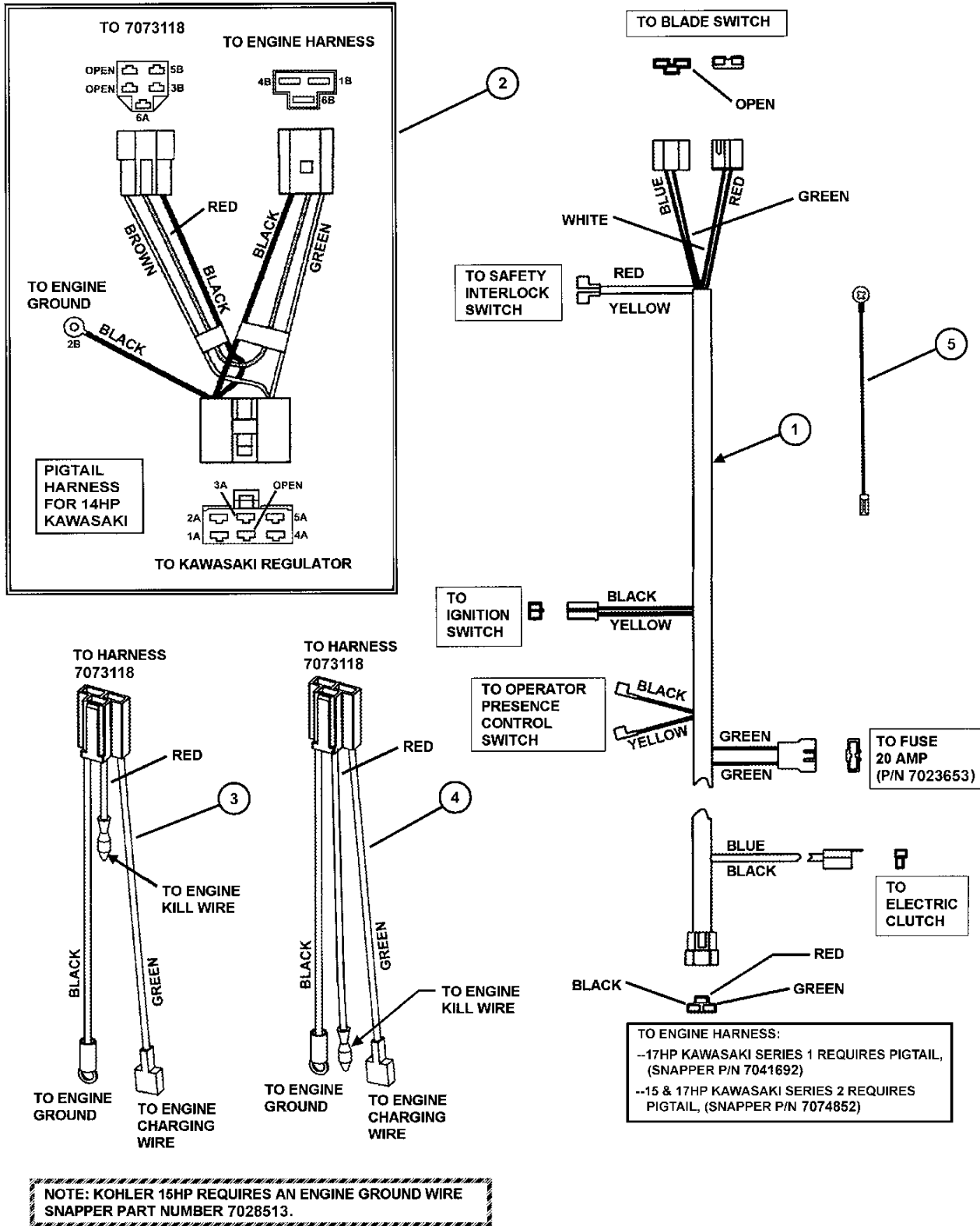
52

61

DECALS - Instructions, Caution, Warning, Danger

Item	Part No	Qty	Description	Note
1	7029866	1	DECAL, Caution/Operation, Pro Hydro	
2	7073647	1	DECAL, Danger Guard/Catcher	
3	7073605	1	DECAL, Warning/Operation Pro Hydro	
4	7073594	1	DECAL, Caution, Open Belt Drive	
5	7073593	1	DECAL, Caution, Adjustment Handle	
6	7043815	1	DECAL, Caution Handle May Be Hot (Adjustable Decks only)	
7	7046580	1	DECAL, Snapper Pro w/Trademark (white letters)	
7	7075568	1	DECAL, Snapper Pro w/Trademark (silver letters)	
7A	7074862	1	DECAL, Snapper Pro (silver, 16-1/2" long)	
8	7024903	1	SNAPPER LOGO, 8" Molded-White	
9	7027733	1	DECAL, Ear Protection	
10	7013010	1	DECAL, Danger (CPSC) Cut Finger	
11	7024156	1	DECAL, Caution- Operator Instruction	
12	7073590	1	DECAL, Warning! Counterweight	
13	7044796	1	DECAL, 36" Deck Commercial	<i>white numbers</i>
13	7075564	1	DECAL, 36" Deck Commercial	<i>silver numbers</i>
14	7044792	1	DECAL, 48" Deck Commercial	<i>white numbers</i>
14	7075565	1	DECAL, 48" Deck Commercial	<i>silver numbers</i>
15	7044793	1	DECAL, 52" Deck Commercial	<i>white numbers</i>
15	7075566	1	DECAL, 52" Deck Commercial	<i>silver numbers</i>
16	7044794	1	DECAL, 61" Deck Commercial	<i>white numbers</i>
16	7075567	1	DECAL, 61" Deck Commercial	<i>silver numbers</i>
17		1	DECAL, Patent Numbers	<i>not shown; not a service part</i>

Footnotes:

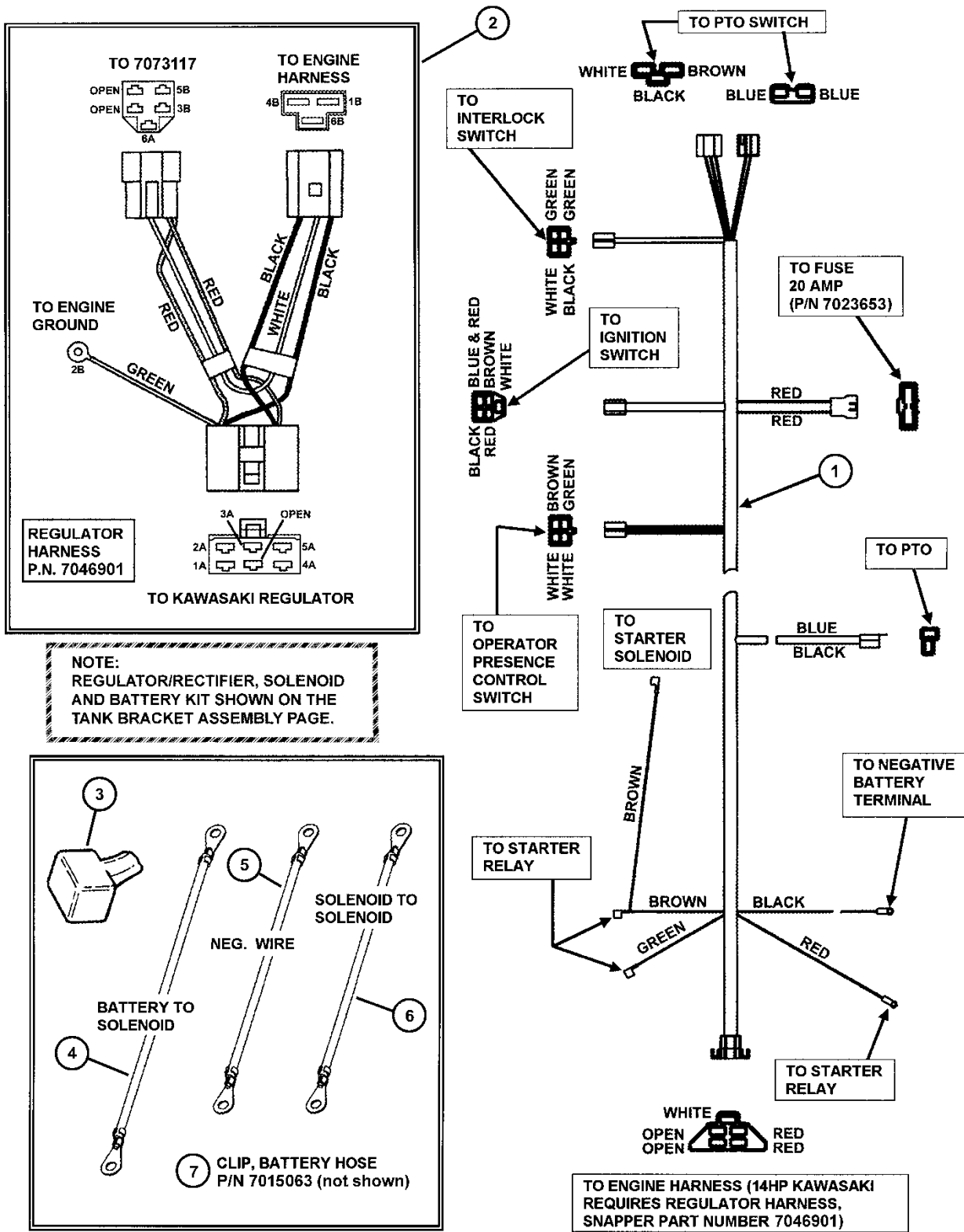


ELECTRICAL WIRING (Manual Start)

Item	Part No	Qty	Description	Note
1	7073118	1	WIRING HARNESS	<i>for all models except for Kohler 23HP</i>
2	7027226	1	HARNESS, Wiring Pigtail	<i>for Kawasaki 14HP</i>
3	7041692	1	HARNESS, Wiring Pigtail	<i>used on SPLH171KW only</i>
4	7074852	1	HARNESS, Wiring Pigtail	
5	7028513	1	WIRE, Kohler Engine Ground	

Footnotes:

ELECTRICAL WIRING- LOOP HANDLE (Electric Start)

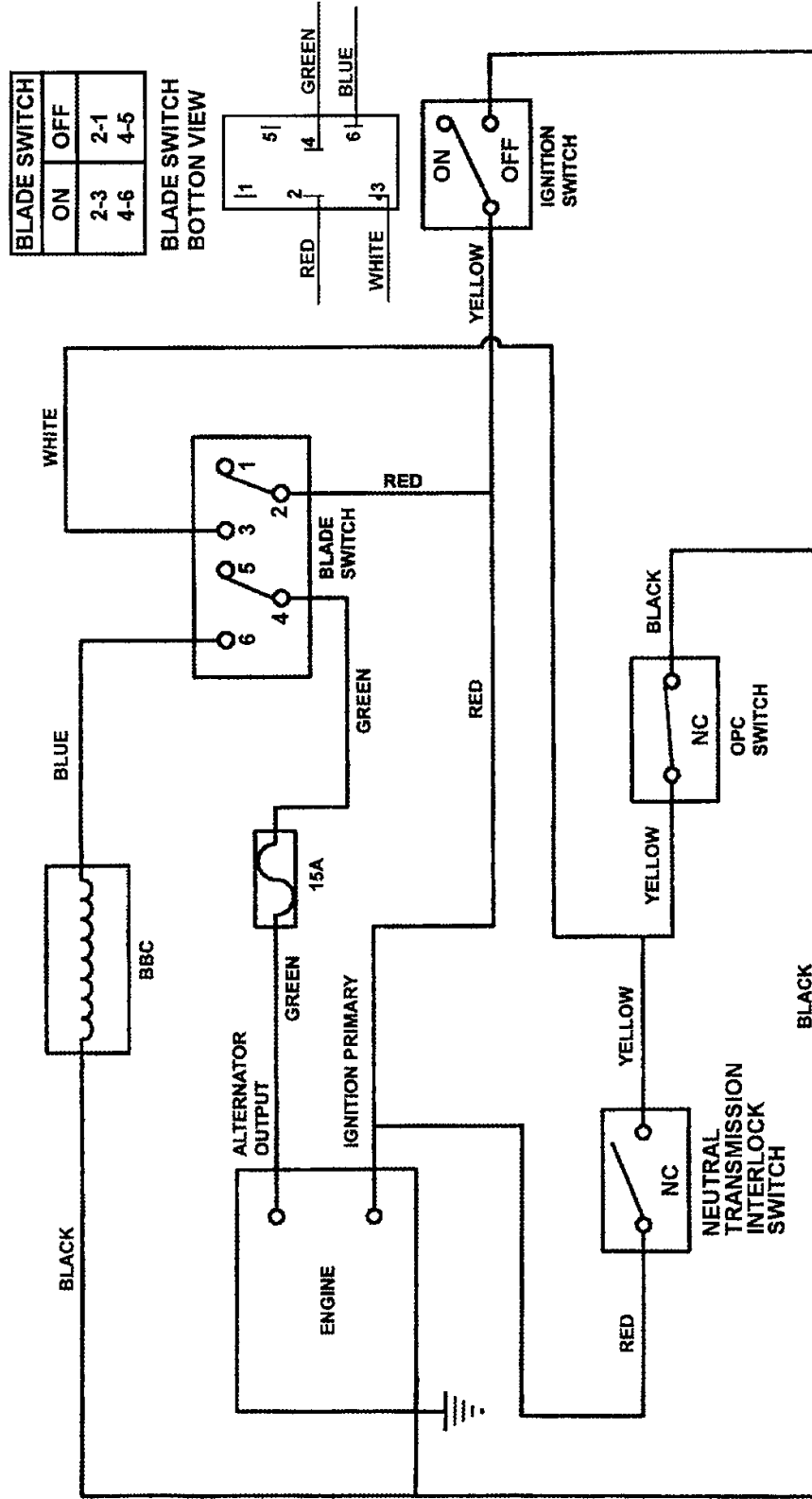


ELECTRICAL WIRING- LOOP HANDLE (Electric Start)

Item	Part No	Qty	Description	Note
1	7073117	1	WIRING HARNESS	
2	7046901	1	HARNESS, Regulator, Kawasaki	
3	7012444	1	COVER, Battery Cover	
4	7014476	1	WIRE, Solenoid to Battery	<i>red, 11" long</i>
5	7011859	1	WIRE, Negative	<i>black, 9" long</i>
6	7029061	1	WIRE, Positive	<i>red, 8/9" long</i>
7	7015063	1	CLIP, Battery Hose	<i>not shown</i>

Footnotes:

SWITCHES SHOWN WITH:
 Bail NOT DEPRESSED
 Blades OFF
 Ignition ON
 Transmission in NEUTRAL

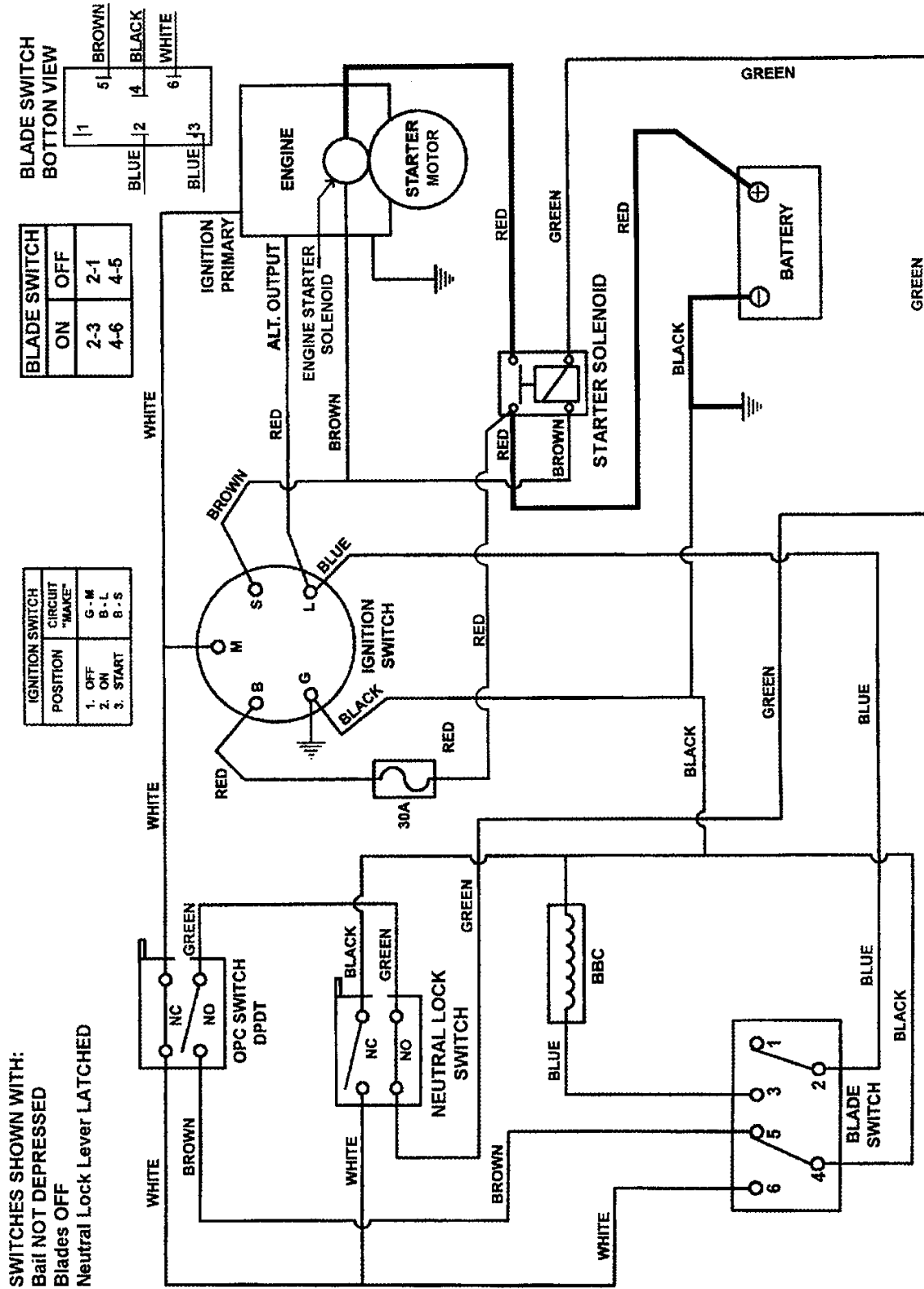


WIRING SCHEMATIC (Manual Start)

Item	Part No	Qty	Description	Note
1	7073118	1	WIRING HARNESS	

Footnotes:

WIRING SCHEMATIC (Electric Start)



WIRING SCHEMATIC (Electric Start)

Item	Part No	Qty	Description	Note
1	7073117	1	WIRING HARNESS	

Footnotes:

Parts Manual for

SNAPPER®

**PRO HYDRO
MID-SIZE WALK BEHIND MOWERS
SERIES 1 & 2**

IT IS THE POLICY OF SNAPPER TO IMPROVE ITS PRODUCTS
WHENEVER IT IS POSSIBLE AND PRACTICAL TO DO SO. WE
RESERVE THE RIGHT TO MAKE CHANGES OR ADD IMPROVEMENTS
AT ANY TIME WITHOUT INCURRING ANY OBLIGATION TO MAKE
SUCH CHANGES ON PRODUCTS MANUFACTURED PREVIOUSLY.

SNAPPER® McDonough, GA, 30253 U.S.A.