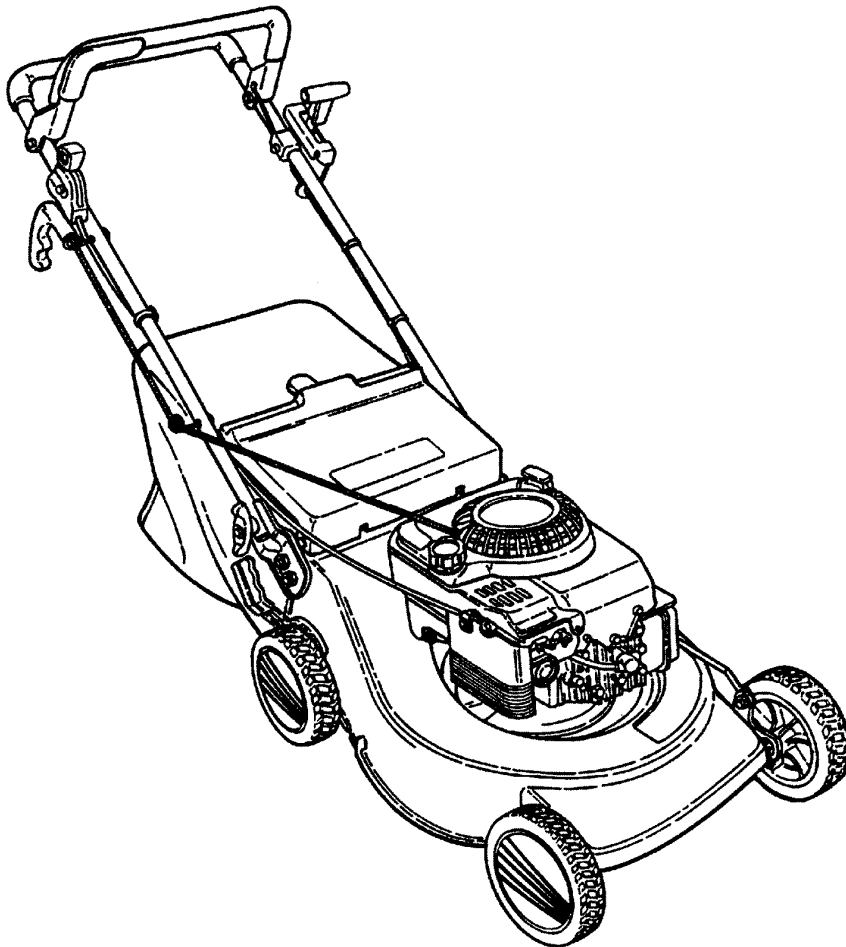


*Parts Manual for*  
**SNAPPER®**

**21" CAST DECK WALK BEHIND MOWER  
EUROPEAN  
SERIES 2**



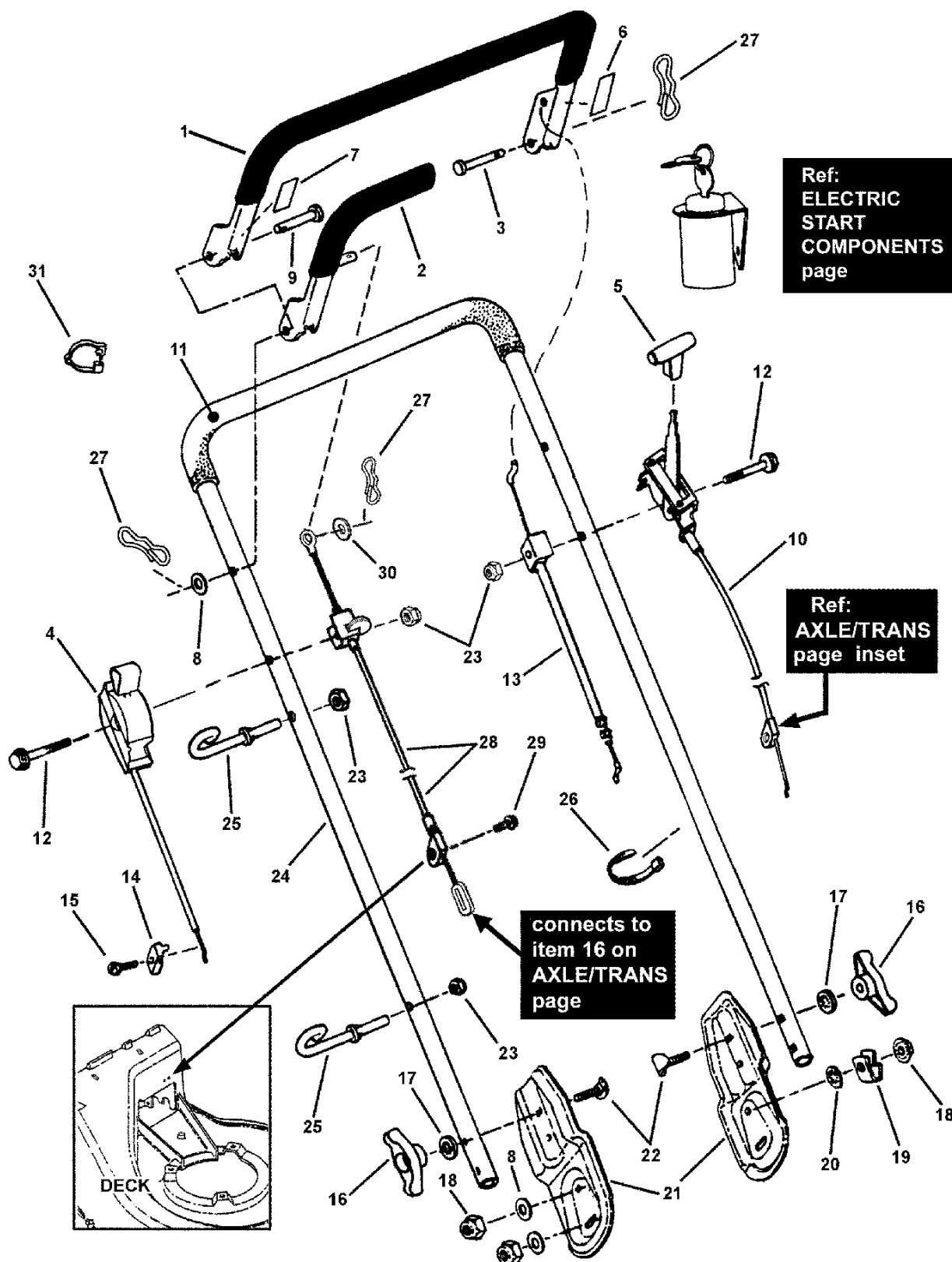
<b>MODEL</b>
<b>ELP21502KWV</b>
<b>ELP21602</b>
<b>ELP21602E</b>
<b>ELP216752BV</b>
<b>ELP21702BV</b>

**SNAPPER®** McDonough, GA, 30253 U.S.A.



<b>PAGE</b>	<b>GROUP</b>
4	HANDLES AND CONTROLS (2001 Model Year)
6	HANDLES AND CONTROLS (2002 & Later Model Year)
10	CUTTING DECK, BLADE
14	WHEELS, FRONT & REAR
16	AXLE/TRANSMISSION ASSEMBLY
18	DISCHARGE COMPONENTS
20	DECALS
22	ELECTRIC START COMPONENTS
24	BATTERY & COMPONENTS
26	WIRING SCHEMATIC

**HANDLES AND CONTROLS (2001 Model Year)**



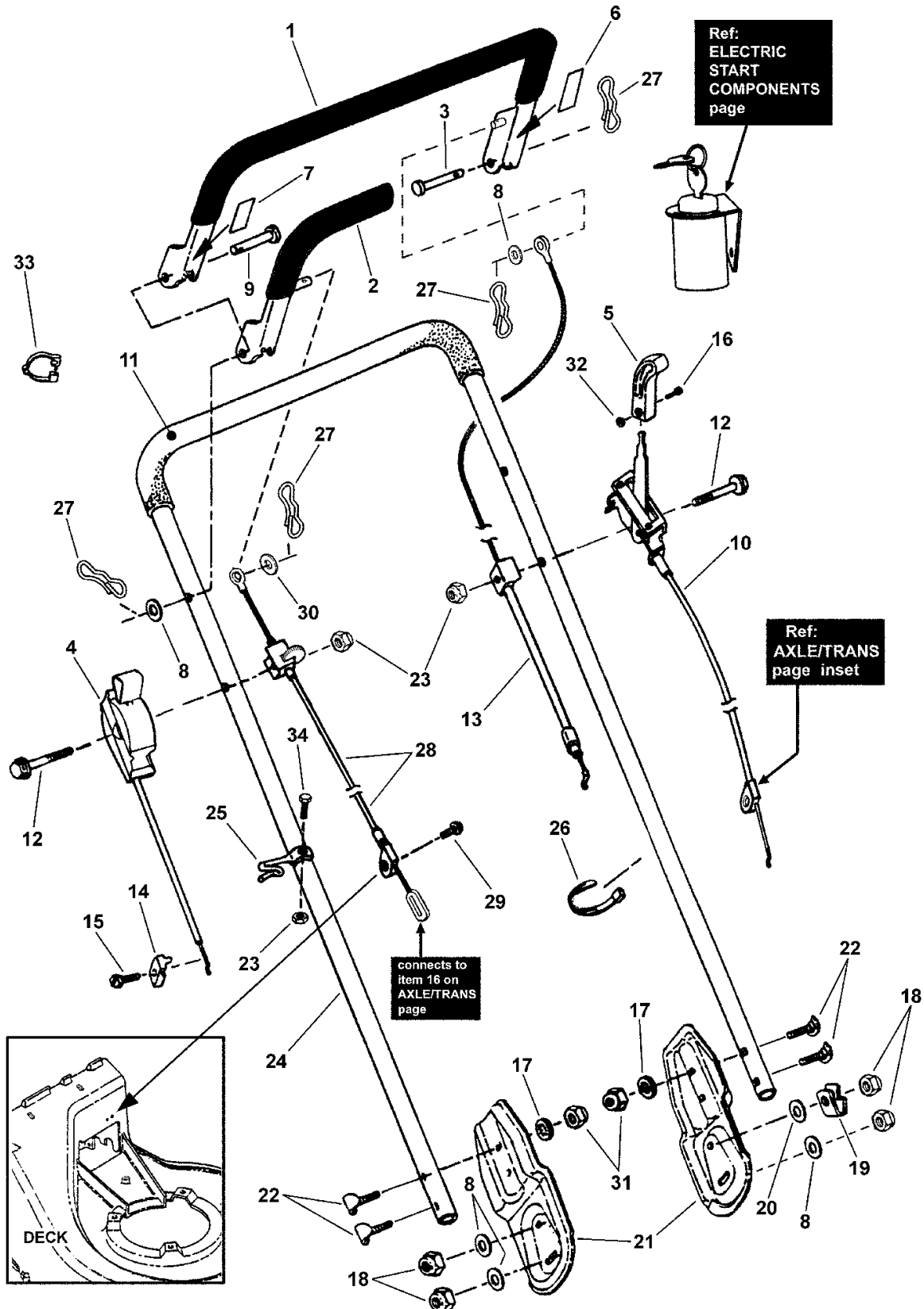
## HANDLES AND CONTROLS (2001 Model Year)

Item	Part No	Qty	Description	Note
1	7035954	1	CONTROL, Blade (ELP21502KWV)	
1	7041734	1	CONTROL, Blade (ELP21602 & ELP21602E)	
2	7028815	1	WELDMENT, Ground Speed Control (Coated)	
3	7091645	1	PIN, 5/16 x 1-7/16" Clevis	
4	7029036	1	CONTROL, Engine Speed (+49.8/1.41")	<i>used on ELP21602 &amp; ELP21602E</i>
4	7026467	1	CONTROL, Engine Speed (+49/2")	<i>used on ELP21502KWV</i>
5	7028396	1	KNOB, Engine Speed & Ground Speed Control	
6	7029431	1	DECAL, (OPC) Operator Presence Control	
7	7029432	1	DECAL, Ground Drive, (Cast Al Comm)	
8	7091076	6	WASHER, 5/16" Flat	
9	7091644	1	PIN, 5/16 x 1-3/4" Clevis	
10	7028886	1	CONTROL, Ground Speed (+56/1.85")	
11	7026216	1	GRIP, Foam (7/8" I.D. x 21-1/2" long)	<i>used on ELP21502KWV</i>
11	7074422	1	GRIP, Foam (1" x 21-1/2" long)	<i>used on ELP21602 &amp; ELP21602E</i>
12	7091251	2	SCREW, 1/4-20 x 2-1/2" Hex Head Cap, GR 5	
13	7028803	1	*CABLE ASSEMBLY, Blade Control (48.88" long)	<i>used on ELP21602 &amp; ELP21602E (Snapper P/N &amp; Rev. # stamped on cable)</i>
13	7028883	1	*CABLE ASSEMBLY, Blade Control (51.97" long)	<i>used on ELP21502KWV (Snapper P/N &amp; Rev. # stamped on cable)</i>
14	7023153	1	CLAMP, Engine Speed (3-Speed Control)	
15	7023154	1	SCREW, #10-32 x 5/8" Slotted Hex Head, Self-Tap	
16	7035744	2	KNOB, 5/16-18 Thread	
17	7090391	4	WASHER, 5/16" Internal Tooth Lock	
18	7091646	4	NUT, 5/16-18 Hex Nyloc	
19	7026436	1	CLAMP, Double Tube	
20	7011791	1	RETAINER, 5/16" Bolt (Black)	
21	7034329	2	BRACKET, Handle (Black)	
21	7034848	2	BRACKET, Handle (Yellow Chromate)	
22	7091189	2	SCREW, 5/16-18 x 2" Square Neck Curved Head	
23	7076978	4	NUT, 1/4-20 Hex Nyloc	
24	7046995	1	HANDLE, Upper (ELP21502KWV)	
24	7040950	1	HANDLE, Upper (ELP21602 & ELP21602E)	
25	7046465	2	GUIDE, Rope (1/4-20 thread)	
26	7024641	4	TIE, Wire 1.29" long (Black)	
27	7073821	3	PIN, Bow-Tie Locking Cotter	
28	7046518	1	CABLE, Traction Adjustable (51.20/6.38")	
29	7091075	5	SCREW, #10-24 x 5/8" Hex Washer Self-Tap	
30	7091702	2	WASHER, 3/16" Flat	
31	7026219	4	CLAMP, 7/8" Double Cable	

### Footnotes:

\*NOTE: Snapper part number and revision level is stamped into cable

**HANDLES AND CONTROLS (2002 & Later Model Year)**



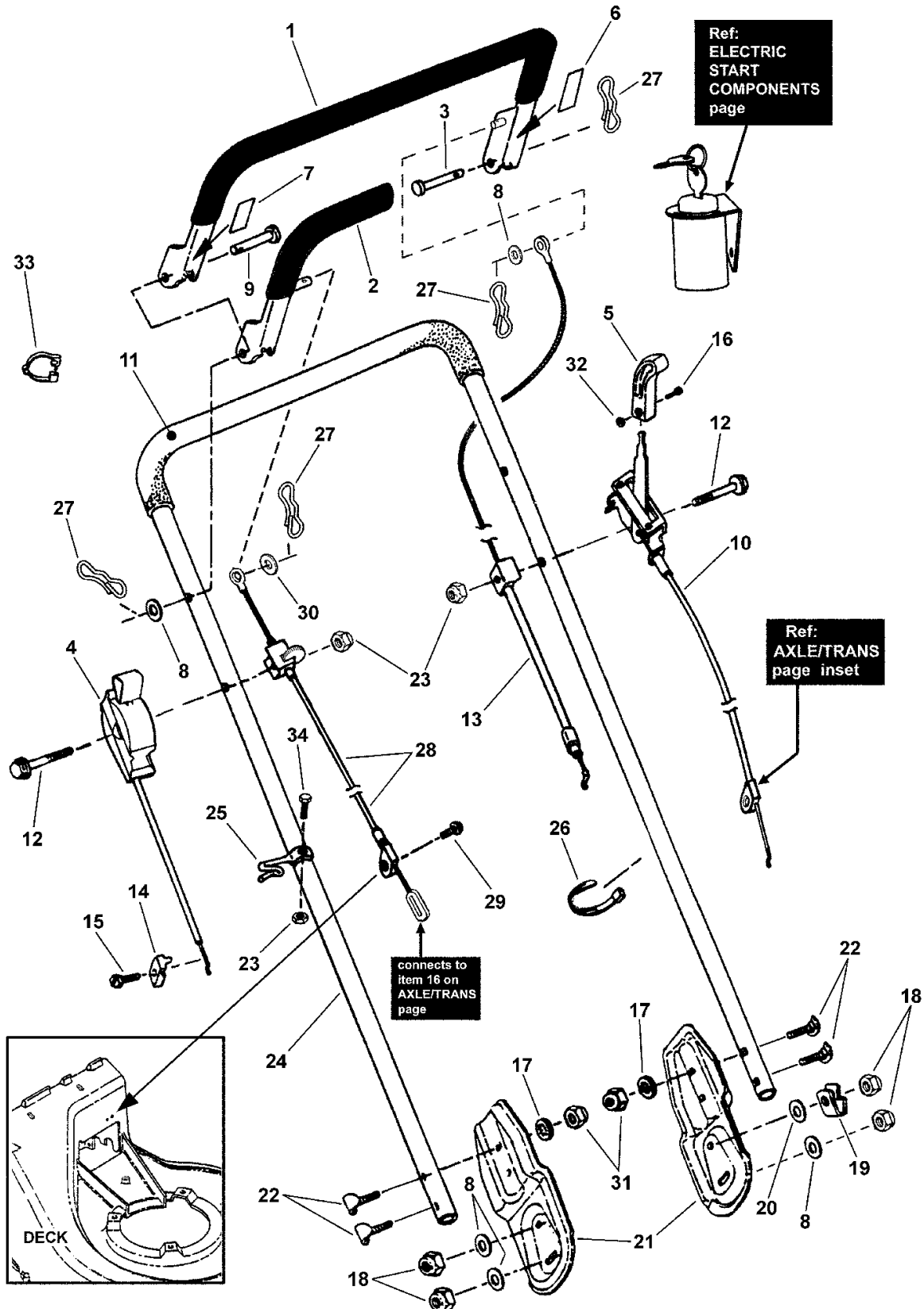
## HANDLES AND CONTROLS (2002 & Later Model Year)

Item	Part No	Qty	Description	Note
1	7035954	1	CONTROL, Blade (ELP21502KWV)	
1	7041734	1	CONTROL, Blade (ELP21602 & ELP21602E)	
2	7028815	1	WELDMENT, Ground Speed Control (Coated)	
3	7091645	1	PIN, 5/16 x 1-7/16" Clevis	
4	7029036	1	CONTROL, Throttle (+49.8/1.41") (ELP216752BV)	
4	7075712	1	CONTROL, Throttle (+49.8/2.62") (ELP21702BV)	
5	7023655	1	KNOB, Engine Speed & Ground Speed Control	
6	7029431	1	DECAL, (OPC) Operator Presence Control	
7	7029432	1	DECAL, Ground Drive, (Cast Al Comm)	
8	7091076	6	WASHER, 5/16" Flat	
9	7091644	1	PIN, 5/16 x 1-3/4" Clevis	
10	7028886	1	CONTROL, Ground Speed (+56/1.85")	
11	7026216	1	GRIP, Foam (7/8" I.D. x 21-1/2" long)	
12	7091732	2	SCREW, 1/4-20 x 2-3/4" Hex Head Cap, GR 5	
13	7074451	1	*CABLE ASSEMBLY, Blade Control (49.09" long)	<i>used on ELP216752BV (#7084716)</i>
13	7074923	1	*CABLE ASSEMBLY, Blade Control (51.39" long)	<i>used on ELP216752BV (#7084669)</i>
14	7023153	1	CLAMP, Engine Speed (3-Speed Control)	
15	7023154	1	SCREW, #10-32 x 5/8" Slotted Hex Head, Self-Tap	
16	7091017	1	SCREW, #8-32 x 3/8" Pan Head Cross Recess	
17	7090391	2	WASHER, 5/16" Internal Tooth Lock	
18	7091646	4	NUT, 5/16-18 Hex Nyloc	
19	7026436	1	CLAMP, Double Tube	
20	7011791	1	RETAINER, 5/16" Bolt (Black)	
21	7034329	2	BRACKET, Handle (Black)	
21	7034848	2	BRACKET, Handle (Yellow Zinc Chromate)	
22	7091190	4	BOLT, 5/16-18 x 1-1/2" Curved Head Carriage, GR 2	
23	7076978	4	NUT, 1/4-20 Hex Nyloc	
24	7034786	1	HANDLE, Upper	
25	7022779	1	GUIDE, Pull Rope	
26	7024641	4	TIE, Wire 1.29" long (Black)	
27	7073821	3	PIN, Bow-Tie Locking Cotter	
28	7046518	1	CABLE, Traction (Adjustable) (51.20/6.38")	
29	7091075	5	SCREW, #10-24 x 5/8" Hex Washer Self-Tap	
30	7091702	2	WASHER, 3/16" Flat	
31	7091298	4	NUT, 5/16-18 Hex Nyloc	
32	7091018	1	NUT, #8-32 Hex	
33	7026219	4	CLAMP, 7/8" Double Cable	

### Footnotes:

\*NOTE: Snapper part number and revision level is stamped into cable

**HANDLES AND CONTROLS (2002 & Later Model Year)**





## **HANDLES AND CONTROLS (2002 & Later Model Year)**

---

<b>Item</b>	<b>Part No</b>	<b>Qty</b>	<b>Description</b>	<b>Note</b>
34	7079577	1	SCREW, 1/4-20 x 1-1/2" Hex Head Cap, GR 5	

### **Footnotes:**

\*NOTE: Snapper part number and revision level is stamped into cable



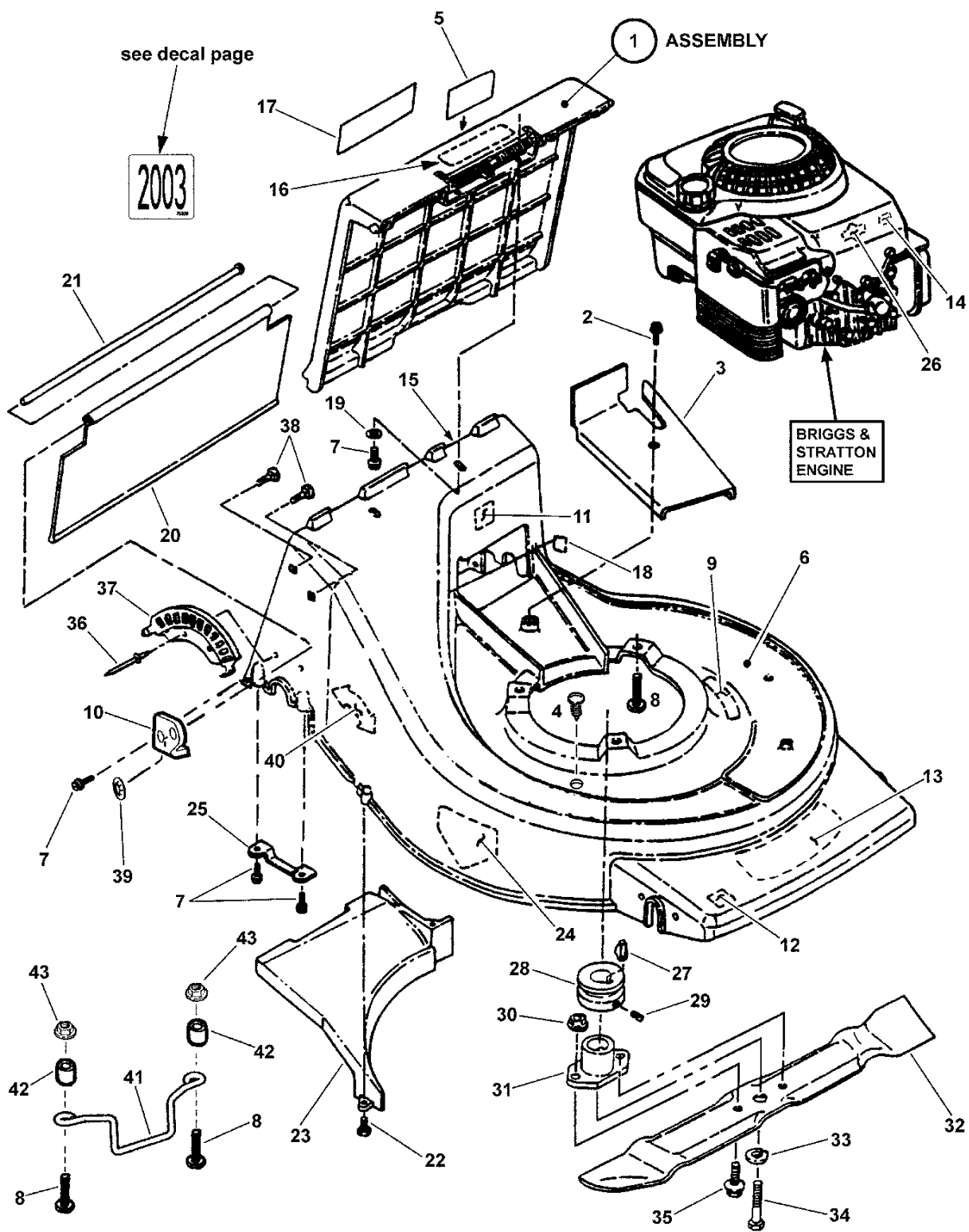
## CUTTING DECK, BLADE

Item	Part No	Qty	Description	Note
1	7052881	1	ASSEMBLY, Discharge Door	
2	7091201	1	SCREW, #10-24 x 1-1/2" Slotted Hex Washer Head Self-Tap	
3	7074124	1	COVER, Belt/Tie Bar	
4	7073293	1	HOLE PLUG, Polyethylene	
5	7046357	1	DECAL, Warning 1997	
6	7073626	1	DECK, 21" Cast Aluminum Rocker	<i>used on ELP21602, ELP21502KWV &amp; ELP216752BV</i>
6	7073627	1	DECK, 21" Cast Aluminum Rocker	<i>used on ELP21602E</i>
7	7090362	8	SCREW, 1/4-20 x 5/8" Hex Washer Self-Tap	
8	7091088	3	SCREW, 3/8-16 x 2" Hex Head Self-Tap	
9	7072921	1	DECAL, Warning (Deck)	
10	7043835	1	BRACKET, RH Trailing Shield Pivot Rod	
--	7043836	1	BRACKET, LH Trailing Shield Pivot Rod	<i>not shown</i>
11	7074135	1	DECAL, Sound 100 dB (Euro)	
12	7029776	1	DECAL, Euro Community (CE)	
13	7046714	1	LOGO, SNAPPER Cast Aluminum Series	
14	7029779	1	DECAL, Spark Plug International Symbol (Euro)	
15	7029784	2	DECAL,Deck/Chute International Warning (Euro)	
16	7046924	1	DECAL, Chute Deflector Warning	<i>used on ELP21602, ELP21502KWV &amp; ELP216752BV</i>
17	7028439	1	DECAL, Convertible Mower	
18	7029470	1	DECAL, Patent Numbers	
19	7090055	2	WASHER, 1/4" Flat	
20	7024753	1	SHIELD, Trailing	<i>used on ELP21602, ELP21602E &amp; ELP21502KWV</i>
20	7043870	1	SHIELD, Trailing	<i>used on ELP216752BV</i>
21	7043808	1	ROD, Trailing Shield Pivot (Long)	
22	7091075	5	SCREW, #10-24 x 5/8" Hex Washer Self-Tap	
23	7024595	1	BAFFLE, Discharge	
24	7013010	1	DECAL, Danger, Cut Finger	
24	7022841	1	DECAL, Warning (Deck) (Euro)	
25	7033732	2	SUPPORT, Rear Axle	
26	7029619	1	LOGO, Briggs & Stratton	
27	7091214	1	KEY, Hi-Pro #HP506 (Briggs engine)	
27	7010783	1	KEY, Hi-Pro #HP-505 (Kawasaki engine)	
28	7015780	1	PULLEY, Traction Drive (25mm x 2-1/8" O.D.)	<i>used on ELP21602, ELP21602E &amp; ELP216752BV</i>
28	7021764	1	PULLEY, Traction Drive (.88 x 2.12 O.D.)	<i>used on ELP21502KWV</i>
29	7090201	1	SCREW, 5/16-18 x 5/16" Hex Socket Set	
30	7076979	2	NUT, 3/8-16 Hex Nyloc	
31	7026631	1	HUB, 25 mm Blade Drive	<i>used on ELP21602, ELP21602E &amp; ELP216752BV</i>

### Footnotes:

\*NOTE: Purchase engine components directly from engine manufacturer dealer.

# CUTTING DECK, BLADE



## CUTTING DECK, BLADE

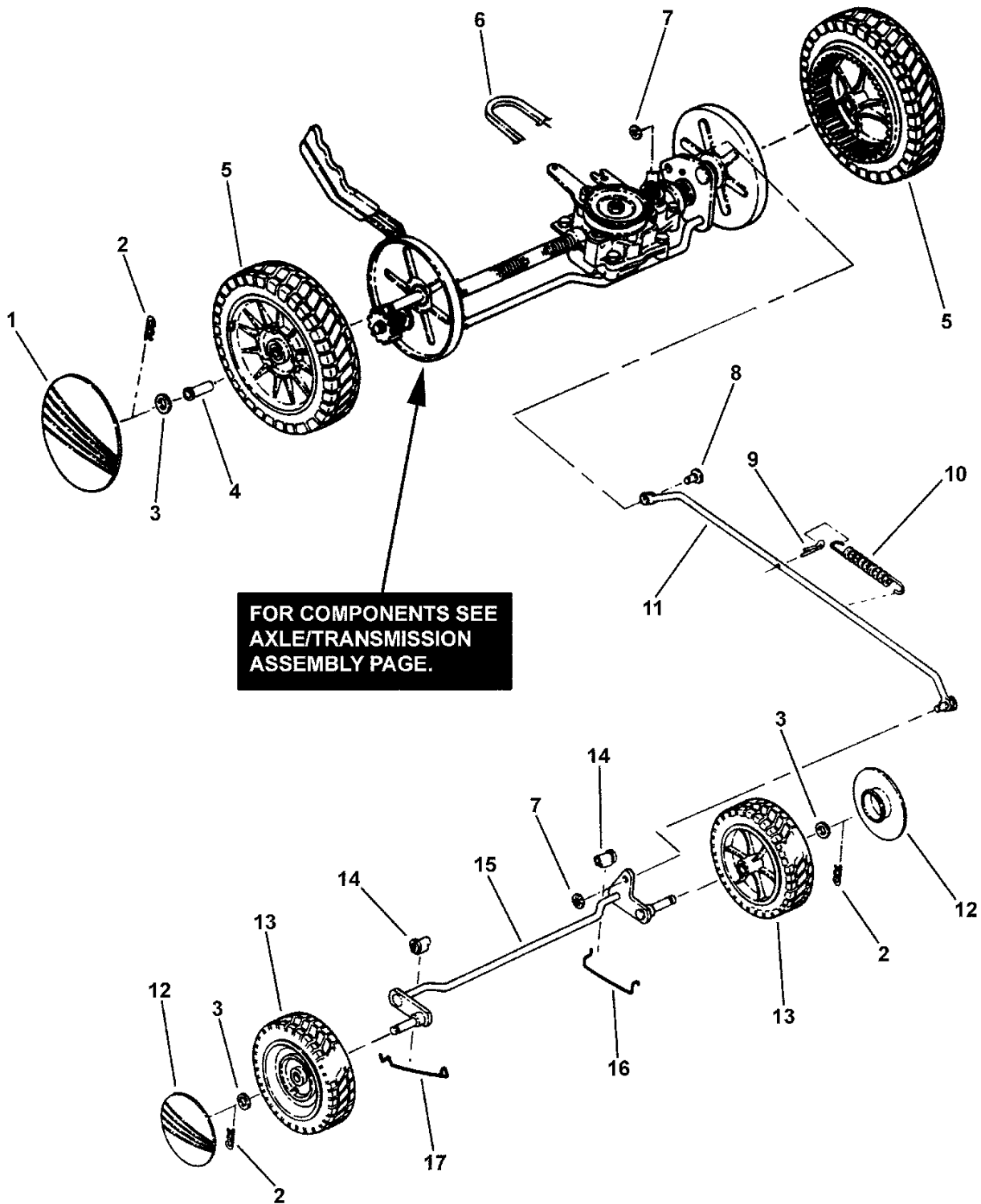
---

Item	Part No	Qty	Description	Note
31	7026630	1	HUB, 7/8" I.D. Blade Drive	<i>used on ELP21502KVV</i>
32	7026428	1	BLADE, 21" Mulching/Bagging	
33	7079268	1	WASHER, 3/8" Split Lock (Heavy)	
34	7090483	1	SCREW, 3/8-24 x 1-3/4 Hex Head Cap, GR 5	
35	7090143	2	BOLT, 3/8-16 x 1-1/4" Hex Flange Lock	
36	7091191	2	RIVET, 3/16 x 1/2" Steel	
37	7033752	1	PLATE, Height Adjust	
38	7091238	4	BOLT, 5/16-18 x 1" Square Neck Carriage, GR 5	
39	7091892	1	PUSHNUT, 1/4" Black	
40	7028454	1	DECAL, Height Control Instr. (Euro)	
41	7072143	1	GUIDE, Belt	
42	7016719	2	SPACER, .390 I.D. x 3/4" O.D. x 1/2" Long	
43	7090613	2	NUT, 3/8-16 Hex Flange Lock	
--	--	1	*ENGINE, 6HP B&S Quantum XTL (ELP21602)	<i>Model 12H802, Type 2612, Trim B1</i>
--	--	1	*ENGINE, 6HP B&S Quantum XTL (ELP21602E)	<i>Model 12H807, Type 2610, Trim B1</i>
--	--	1	*ENGINE, 5HP Kawasaki (ELP21502KVV)	<i>Model FC150V, Type GS13</i>
--	--	1	*ENGINE, 6.75HP B&S Intek (ELP216752BV)	<i>Model 126602, Type 0114, or Type 0117, Trim E1</i>
--	--	1	*ENGINE, 7HP B&S Intek - Euro (ELP21702BV)	<i>Model 128602, Type 0112, Trim E1</i>

### Footnotes:

\*NOTE: Purchase engine components directly from engine manufacturer dealer.

**WHEELS, FRONT & REAR**



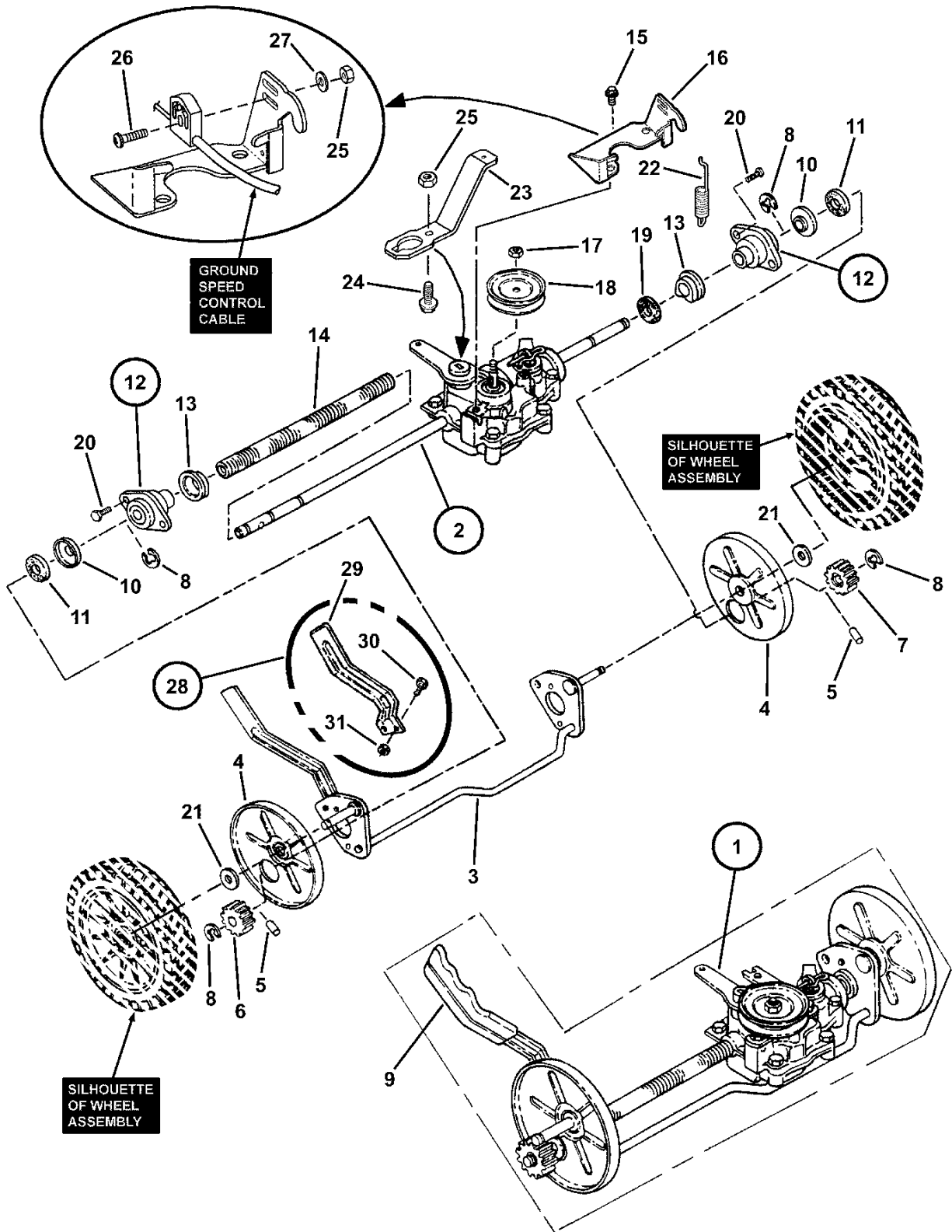
## **WHEELS, FRONT & REAR**

---

<b>Item</b>	<b>Part No</b>	<b>Qty</b>	<b>Description</b>	<b>Note</b>
1	7024540	2	HUB-CAP, Rear Wheel	
2	7091193	4	HAIRPIN, 1/16 x 29/32" Cotter	
3	7091192	4	WASHER, 1/2" Flat	
4	7073618	2	BUSHING, Rear Wheel	
5	7074629	2	ASSEMBLY, Rear Drive Wheel - 9.0 x 2.0	<i>includes item 4</i>
6	7029492	1	BELT, Traction (3L Sect, 33.200" effective length)	
7	7013946	2	RETAINER, Wheel	
8	7091232	1	PIN, 3/8 x 5/8" Tie Bar	
9	7090365	1	PIN, 1/8 x 3/4" Cotter	
10	7024751	1	SPRING, Tie Bar	
11	7041364	1	WELDMENT, Tie Bar	
12	7016152	2	HUB-CAP, Front Wheel	
13	7028456	2	ASSEMBLY, Wheel Front	
14	7024558	2	BUSHING, Front Axle	
15	7041344	1	WELDMENT, Front Axle	
16	7034340	1	SPRING, Axle Retaining Left Hand	
17	7034341	1	SPRING, Axle Retaining Right Hand	

### **Footnotes:**

# AXLE/TRANSMISSION ASSEMBLY





## AXLE/TRANSMISSION ASSEMBLY

Item	Part No	Qty	Description	Note
1	7058975	1	ASSY, Axle/Transmission, 3SP (Incl. items 2-20)	
2	7028813	1	ASSEMBLY, Transmission, 3-Speed Commercial	
3	7074207	1	WELDMENT, Rear Axle	
4	7024573	2	SHIELD, Dust	
5	7024749	2	PIN, Pawl, 3/16" Outside Dia.	
6	7024549	1	PINION, Right Hand Drive	
7	7024550	1	PINION, Left Hand Drive	
8	7014341	4	RING, External Retaining	
9	7026420	1	GRIP, Flat Bar (Black)	
10	7026478	2	RETAINER, Pinion Seal	
11	7026479	2	SEAL, Pinion (Felt)	
12	7025066	2	ASSEMBLY, Bearing Carrier	(Includes 7024724, Ball Bearing, 1/2" I.D. x 1-1/8" O.D.)
13	7024715	2	BUSHING, Rear Axle (Self-Prop)	
14	7024748	1	TUBING, 5/8" I.D. Convoluted	
15	7090361	2	SCREW, 5/16-18 x 5/8" Hex Washer Self-Tap	
16	7035325	1	BRACKET, Transmission	
17	7091187	1	NUT, M10-1.50 Hex Nyloc	
18	7029494	1	PULLEY, Transmission	
19	7024879	1	WASHER, Felt	
20	7091084	4	SCREW, 1/4-20 x 3/8" Hex Washer Head Self-Tap	
21	7091194	2	WASHER, 17/32 I.D. x 1-1/2" O.D. Flat	
22	7046522	1	SPRING, Clutch	
23	7035540	1	LEVER, Transmission (Metal)	
24	7091075	5	SCREW, #10-24 x 5/8" Hex Washer Self-Tap	
25	7091267	1	NUT, #10-24 Hex Center Lock	
26	7091941	1	SCREW, #10-24 x 3/4" Pan Head Machine	
27	7091552	1	WASHER, .219 I.D. Flat	
28	7061272	1	KIT, Height Adjusting Lever	(Includes items 29-31)
29	7033967	1	LEVER, Height Adjusting (Black)	
30	7091289	2	SCREW, #10-32 x 5/8" Hex Washer Self-Tap, GR 5	
31	7090376	2	NUT, #10-32 Hex Nyloc	

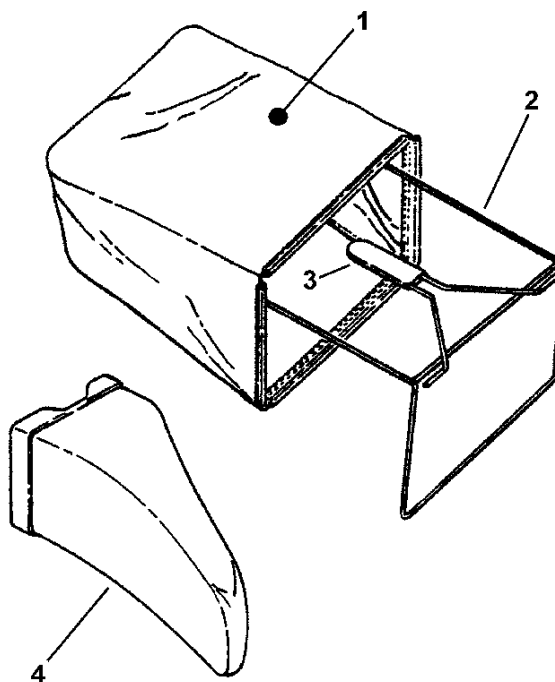
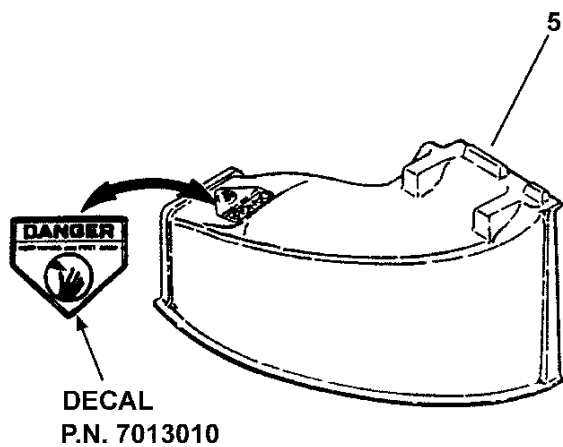
### Footnotes:

## DISCHARGE COMPONENTS

---

### KITS AVAILABLE:

Part No.	Description
7061396	KIT, Grass Catcher
7061397	KIT, Side Discharge Chute
7061398	KIT, Mulching

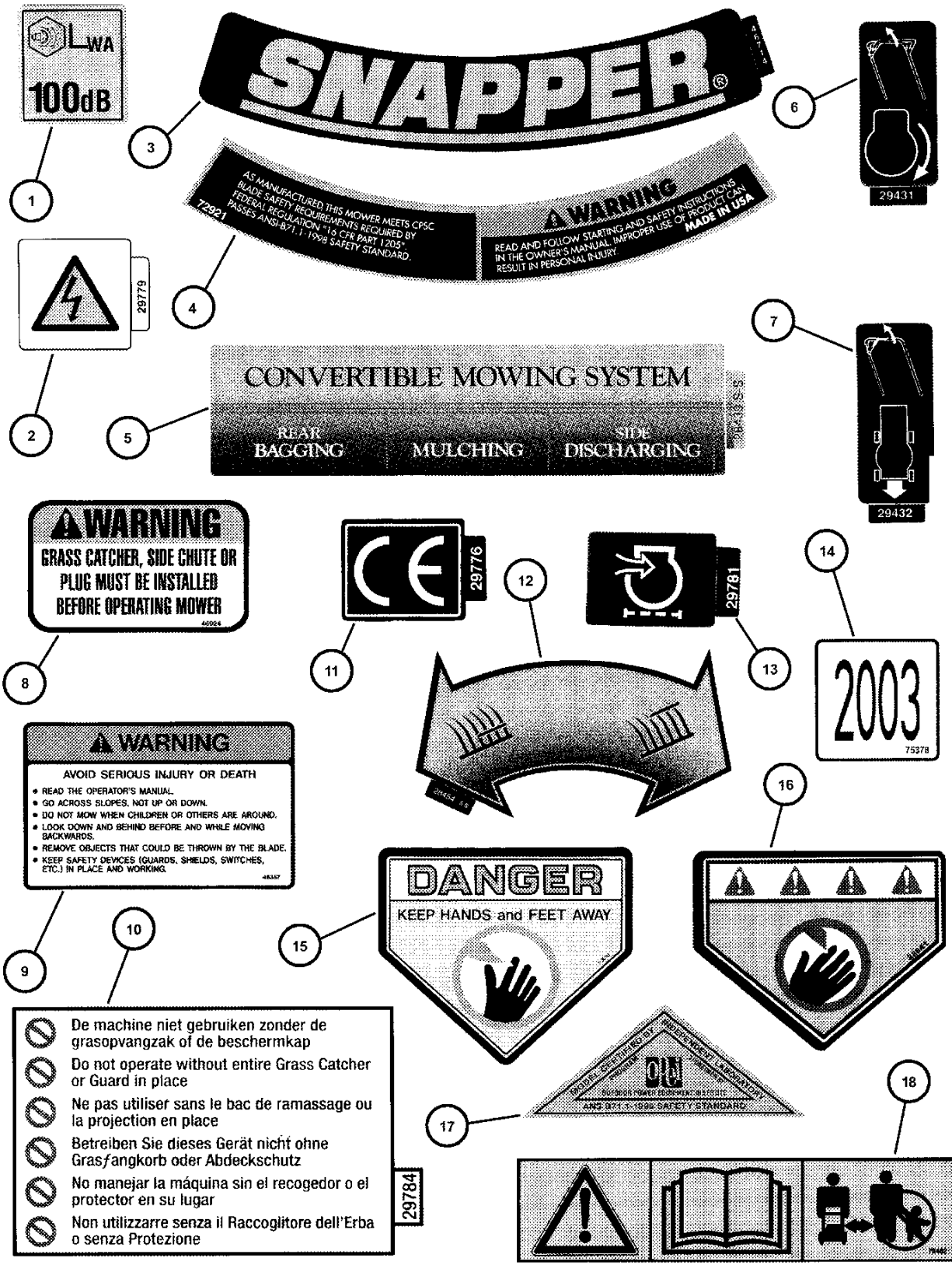


## **DISCHARGE COMPONENTS**

---

<b>Item</b>	<b>Part No</b>	<b>Qty</b>	<b>Description</b>	<b>Note</b>
1	7028445	1	GRASS BAG, Snapper Platinum Series	
2	7053176	1	ASSEMBLY, Catcher Frame (Incl. item 3)	
3	7026421	1	GRIP, Rectangular (Black)	
4	7026390	1	PLUG, Mulching (21M)	
5	7026714	1	CHUTE, Side Discharge (Incl. 7013010 Decal)	

**Footnotes:**



## DECALS

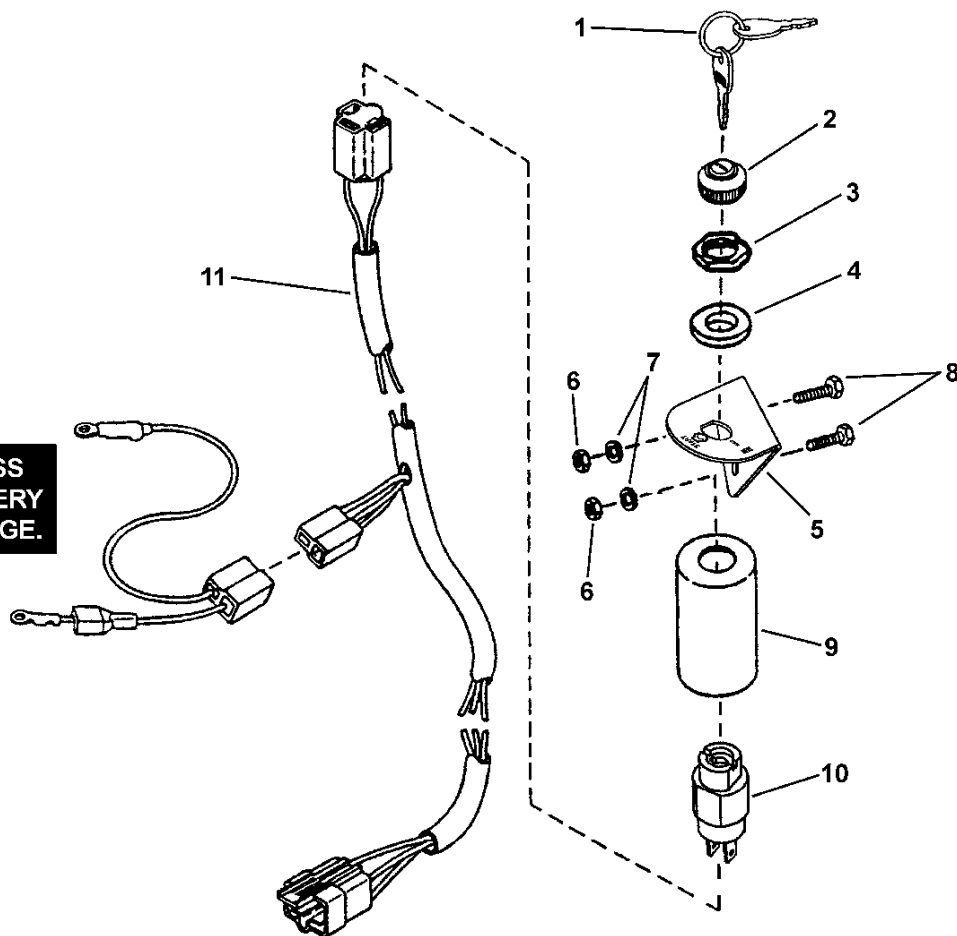
---

Item	Part No	Qty	Description	Note
1	7074135	1	DECAL, Sound 100 dB (Euro)	
2	7029779	1	DECAL, Spark Plug International Symbol	
3	7046714	1	DECAL, "SNAPPER" (5HP & 6HP)	
3	7074386	1	DECAL, "SNAPPER" Black/Gold (6-3/4HP)	
3	7075618	1	DECAL, "SNAPPER" (ELP21702BV)	
4	7072921	1	DECAL, Warning (Deck)	
5	7028439	1	DECAL, Convertible Mower	
6	7029431	1	DECAL, (OPC) Operator Presence Control	
7	7029432	1	DECAL, Ground Drive, (Cast Al Comm)	
8	7046924	1	DECAL, Chute Deflector Warning	
9	7046357	1	DECAL, Warning 1997	
10	7029784	2	DECAL,Deck/Chute International Warning	
11	7029776	1	DECAL, Euro Community (CE)	
12	7028454	1	DECAL, Height Adjustment (Euro)	
13	7029781	1	DECAL, Air Filter International Symbol	
14	7072820	1	DECAL, 2000 Year of Mfg. (not shown)	
14	7073433	1	DECAL, 2001 Year of Mfg. (not shown)	
14	7074548	1	DECAL, 2002 Year of Mfg. (not shown)	
14	7075378	1	DECAL, 2003 Year of Mfg.	
15	7013010	1	DECAL, Danger, Cut Finger	
16	7022841	1	DECAL, Warning (Deck) (Euro)	
17	7073335	1	DECAL OPEI Ride-On	
18	7073462	1	DECAL, Caution Symbols	

### Footnotes:

# ELECTRIC START COMPONENTS

**BATTERY HARNESS  
SHOWN ON BATTERY  
COMPONENTS PAGE.**

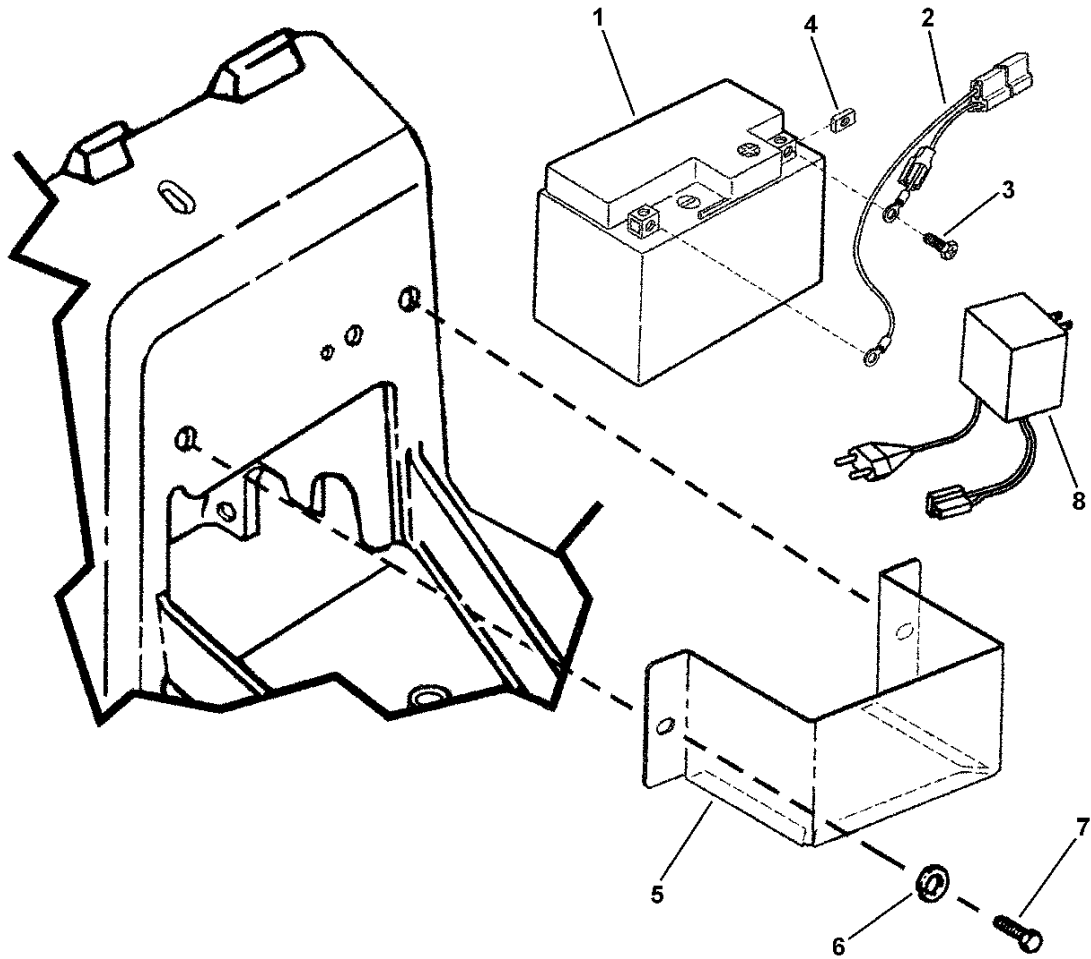


## ***ELECTRIC START COMPONENTS***

---

<b>Item</b>	<b>Part No</b>	<b>Qty</b>	<b>Description</b>	<b>Note</b>
1	7011138	1	KEY (Set of Two)	
2	7023506	1	BEZEL	
3	7012685	1	NUT, 5/8-32 Hex Lock	
4	7016132	1	SPACER	
5	7071972	1	BRACKET, Ignition Switch	
6	7091024	2	NUT, 1/4-28 Hex	
7	7091023	2	WASHER, 1/4" Internal Tooth Lock	
8	7091025	2	SCREW, 1/4-28 x 1-3/8" Hex Head Cap, GR 5	
9	7029080	1	COVER, Switch	
10	7028765	1	SWITCH, Ignition	
11	7029081	1	HARNES, wiring	

### **Footnotes:**





## **BATTERY & COMPONENTS**

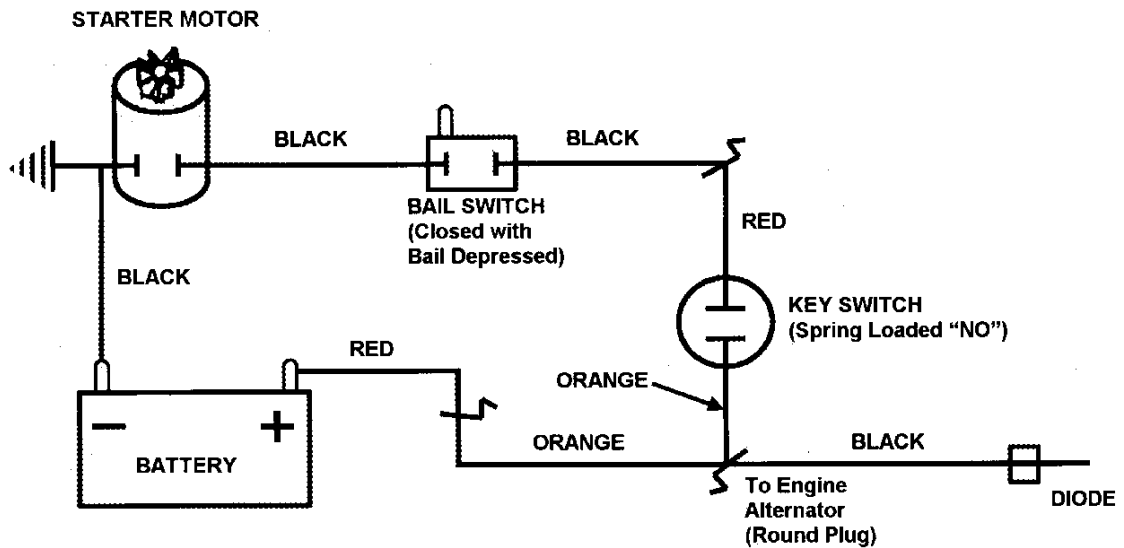
---

<b>Item</b>	<b>Part No</b>	<b>Qty</b>	<b>Description</b>	<b>Note</b>
--	7067012		KIT, Battery (Includes Items 1 thru 4)	
1	7019763	1	BATTERY, 12 Volt, 35 CCA	
2	7015488	1	HARNESS, Battery	
3	7043977	2	SCREW, M5 x 10mm Cross Recess Pan Head	
4	7090932	2	NUT, Battery Terminal	
5	7073628	1	BRACKET, Battery Support	
6	7090052	2	WASHER, 1/4" Split Lock	
7	7090073	2	SCREW, 1/4-20 x 3/4" Hex Head Cap, GR 5	
8	7018977	1	CHARGER, Battery, 230v/12v	

### **Footnotes:**

# WIRING SCHEMATIC

---



WIRING SCHEMATIC FOR 6HP BRIGGS ENGINE

## **WIRING SCHEMATIC**

---

<b>Item</b>	<b>Part No</b>	<b>Qty</b>	<b>Description</b>	<b>Note</b>
--	--	1	Wiring Schematic includes harness # 7029081	

**Footnotes:**





*Parts Manual for*

# **SNAPPER**<sup>®</sup>

## **21" CAST DECK WALK BEHIND MOWER EUROPEAN SERIES 2**

IT IS THE POLICY OF SNAPPER TO IMPROVE ITS PRODUCTS  
WHENEVER IT IS POSSIBLE AND PRACTICAL TO DO SO. WE  
RESERVE THE RIGHT TO MAKE CHANGES OR ADD IMPROVEMENTS  
AT ANY TIME WITHOUT INCURRING ANY OBLIGATION TO MAKE  
SUCH CHANGES ON PRODUCTS MANUFACTURED PREVIOUSLY.

**SNAPPER** McDonough, GA, 30253 U.S.A.