

*Parts Manual for*  
**SNAPPER®**

**21" STEEL DECK EUROPEAN  
WALK BEHIND MOWERS  
SERIES 19**

<b>MODEL</b>
<b>EP217019BV</b>
<b>ERP2167519BV</b>
<b>ERP217019BV</b>

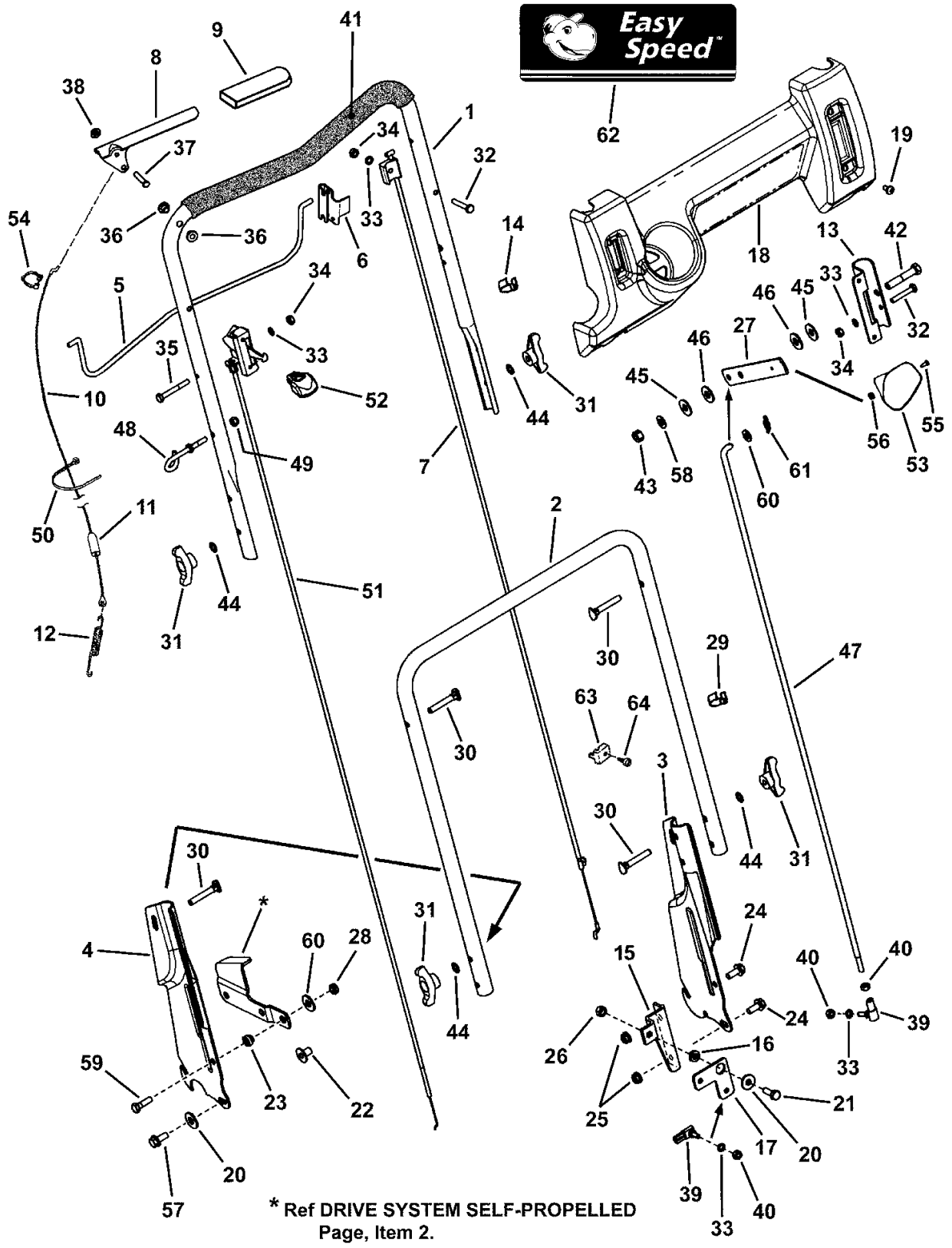


**SNAPPER®** McDonough, GA, 30253 U.S.A.



<b>PAGE</b>	<b>GROUP</b>
4	HANDLES & CONTROLS
8	CUTTING DECK, BLADES
10	WHEEL BRACKETS, LATCHES
12	WHEELS, FRONT & REAR
14	DRIVE SYSTEM SELF-PROPELLED
18	TRANSMISSION (DIFFERENTIAL)
20	THROTTLE CONTROLS/ENGINE SPECS
22	SIDE CHUTE ADAPTER
24	ACCESSORY GRASS BAG
26	DECALS
28	RECYCLING KITS ACCESSORY
30	SNAPPERIZER ACCESSORY
32	THATCHERIZER ASSEMBLY

# HANDLES & CONTROLS



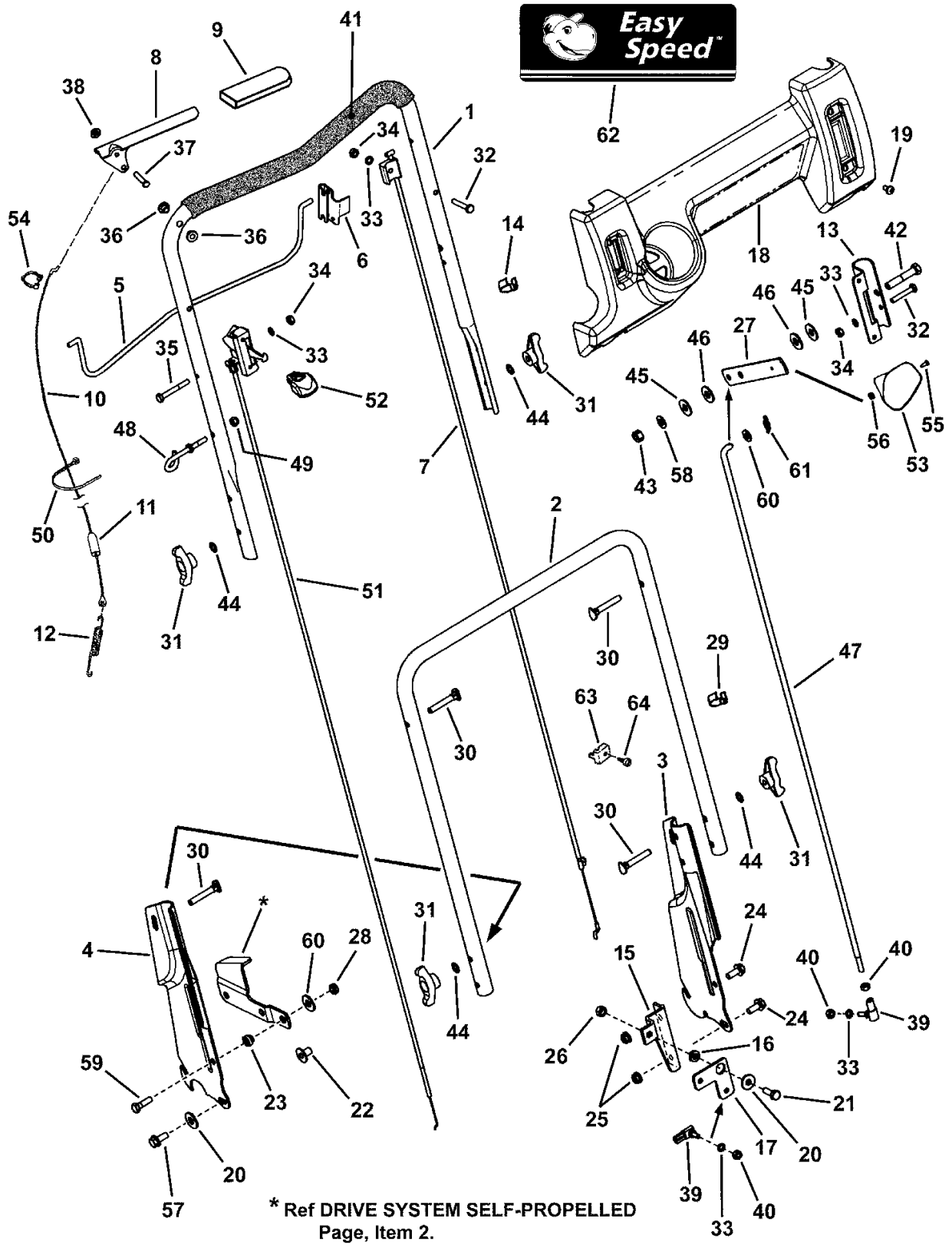
## HANDLES & CONTROLS

Item	Part No	Qty	Description	Note
1	7074411	1	HANDLE, Upper	
2	7074156	1	HANDLE, Middle	
3	7033985	1	HANDLE, Lower LH (Adjustable)	
4	7033986	1	HANDLE, Lower RH (Adjustable)	
5	7074418	1	BAIL, OPC Control	
6	7034872	1	CLIP, Zone Control	
7	7034608	1	CABLE, Zone Control (52-63/64" Long)	
8	7074473	1	HANDLE, Clutch	
9	7028407	1	GRIP, International Symbol	
10	7034604	1	CABLE, Clutch Control (41-1/4" Long)	
11	7012121	1	COVER, Vinyl	
12	7012122	1	SPRING, Clutch- 21S	
13	7074003	1	BRACKET, Shift	
14	7024641	2	TIE, Wire, 1.29 long, black	
15	7073822	1	BRACKET, Bell Crank	
16	7013849	1	SPACER, .33 x .63 x .156	
17	7073913	1	BELL CRANK	
18	7074140	1	CONTROL PANEL (w/o Electrical Switch Hole)	
19	7091200	4	SCREW, 1/4-20 x 1/2" Pan Head Self-Tap (Torx)	
20	7091130	2	WASHER, .33 x .88 x .09 Flat	
21	7091904	1	SCREW, 5/16-18 x 7/8" Hex Head Cap, GR 5	
22	7090895	1	TEENUT 5/16-18	
23	7012114	1	BUSHING, Differential, .328 x .625 x .41	
24	7090595	2	BOLT, 5/16-18 x 3/4" Hex Flange Lock GR 5	
25	7090585	2	NUT, 5/16-18 Hex Flange Lock, GR 5	or 7091601
26	7091067	1	NUT, 5/16-18 Hex Center Lock	
27	7074113	1	LEVER, Shift	
28	7091606	1	NUT, 5/16-24 Hex Center Lock GR 5	
29	7023813	1	CLIP, Wiring Harness	
30	7091189	4	SCREW, 5/16-18 x 1-7/8" Curved Head GR 2	or 7091740
31	7035744	4	KNOB, 5/16-18 Wing (Black)	
32	7079577	2	SCREW, 1/4-20 x 1-1/2 Hex Head Cap GR 5	
33	7090053	5	WASHER, 1/4" Internal Tooth Lock	
34	7091100	3	NUT, 1/4-20 Hex	or 7091576
35	7090505	1	SCREW, 1/4-20 x 2" Hex Head Cap, GR 5	
36	7014343	2	BUSHING, .27 x .35 x .4 Flange	
37	7023792	1	PIN, 1/4 x 1-1/2"	

### Footnotes:

Note\* See also Throttle Control Page

# HANDLES & CONTROLS



## HANDLES & CONTROLS

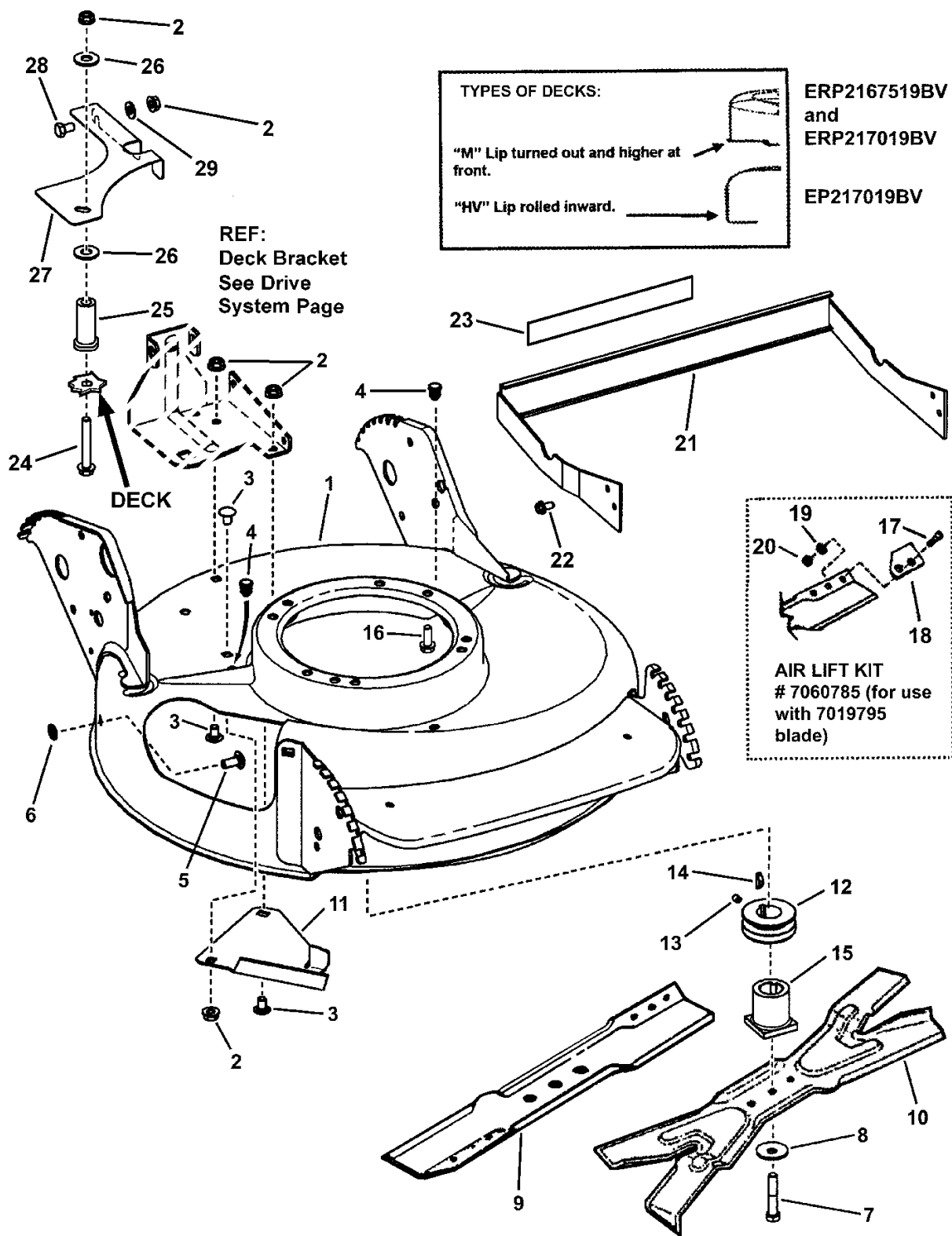
---

Item	Part No	Qty	Description	Note
38	7091020	1	PUSH-NUT, 1/4"	
39	7015753	2	BALL JOINT, 1/4-28	
40	7090095	4	NUT, 1/4-28 Hex	
41	7023810	1	FOAM GRIP, 18.75" long	
42	7091305	1	SCREW, 3/8-16 x 2" Hex Head Cap, GR 5	
43	7091585	1	NUT, 3/8-16 Hex Center Lock	
44	7090391	4	WASHER, 5/16" Internal Tooth Lock	
45	7031961	8	WASHER, 7/16" Flat	
46	7028465	2	WASHER, Nylon	
47	7074133	1	ROD, Speed Control (1/4-28 thread)	
48	7028488	1	GUIDE, Rope (1/4-20 thread)	
49	7076978	1	NUT, 1/4-28 Hex GR 5 or B	
50	7012080	1	CABLE-TIE, 7"	
51	7074460	1	*THROTTLE CONTROL, .48 x .61	
52	7075308	1	THROTTLE KNOB	
53	7075182	1	KNOB, Shift	
54	7026219	1	CLAMP, 7/8" Double Cable	
55	7091167	1	SCREW, #8-32 x 1/2" Cross Recess Filister Head Machine	
56	7091018	1	NUT, #8-32 Hex	
57	7091151	1	SCREW, 5/16-18 x 1-1/4" Hex Washer Head Self-Tap	
58	7028568	1	WASHER, Belleville	
59	7090238	1	SCREW, 5/16-24 x 1" Hex Head Cap GR 5	
60	7090188	1	WASHER, 11/32" Flat	
61	7034162	1	COTTER PIN, 5/16 Self Lock	
62	7100183	1	DECAL, Easy Speed, Control Panel	
63	7023153	1	CLAMP, Casing	
64	7023154	1	SCREW, #10-32 x 5/8" Self-Tap	

### Footnotes:

Note\* See also Throttle Control Page

# CUTTING DECK, BLADES



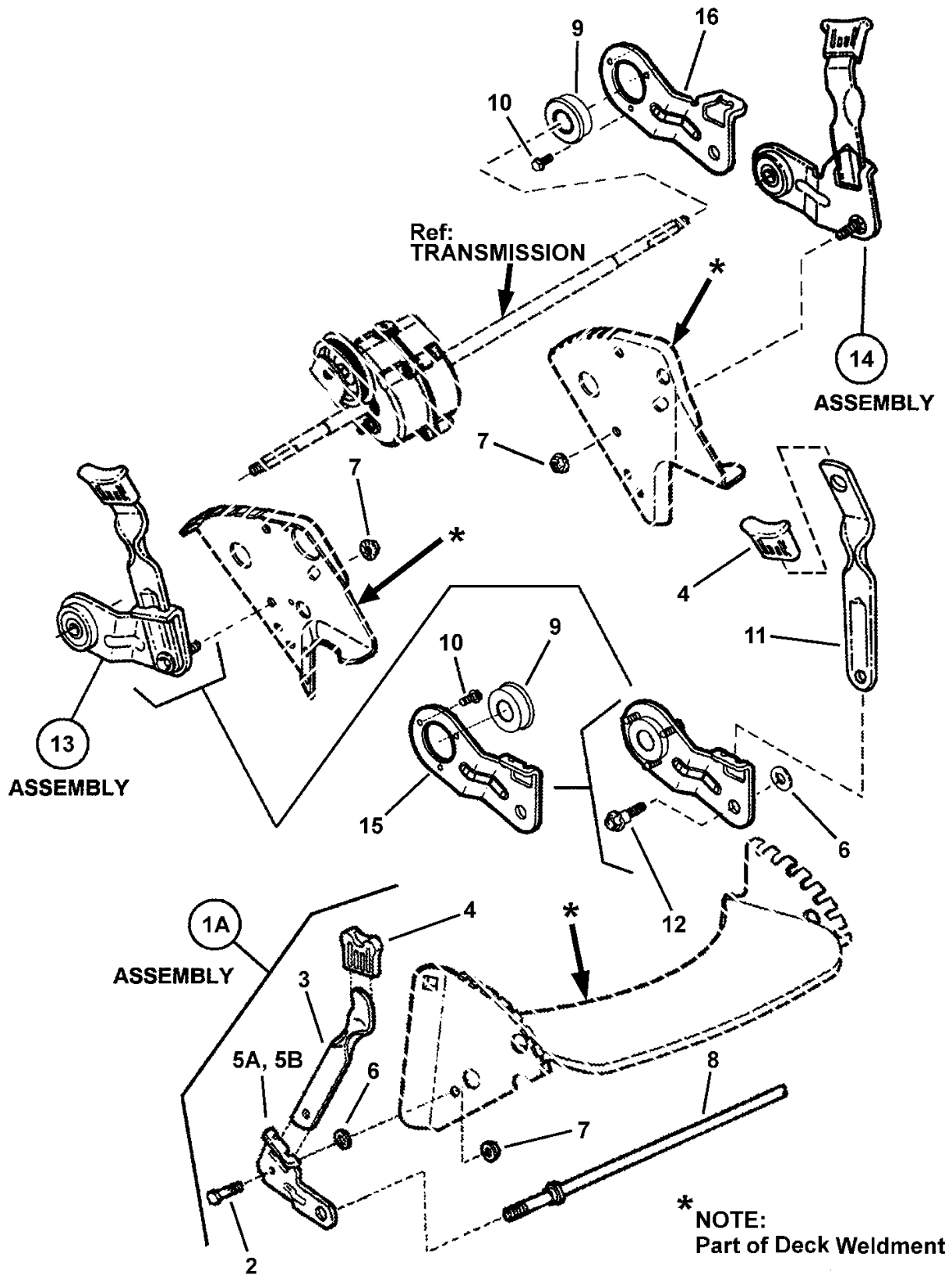


## CUTTING DECK, BLADES

Item	Part No	Qty	Description	Note
1	7400026	1	WELDMENT, Deck, 21" Non-Adjust Air	<i>finish: red painted but w/o decals</i>
1	7400027	1	WELDMENT, Deck, 21", S.P., HV, Core Model	<i>finish: red painted but w/o decals</i>
2	7091070	5	NUT, 5/16-18 Hex Flange Lock, GR 5	
3	7090731	3	BOLT, 5/16-18 x 1/2", Short Neck Carriage, GR 5	
4	7046780	2	PLUG, Hole, Polyethylene	
5	7090001	1	BOLT, 5/16-18 x 3/4" Short Neck Carriage GR 5	<i>or 7091508</i>
6	7011791	1	RETAINER, 5/16" Bolt	
7	7090167	1	SCREW, 3/8-24 x 2" Hex Head Cap, GR 5	
8	7012063	2	WASHER, Cone	
9	7019795	1	BLADE, 21" Air Lift	
10	7026407	1	BLADE, 21" Ninja (Quad Edge)	<i>used on ERP2167519BV &amp; ERP217019BV</i>
11	7074568	1	COVER, Belt	
12	7015780	1	PULLEY, Engine (25mm I. D. x 2-1/8" O.D.)	
13	7092086	1	SCREW, 5/16-18 x 1/2" Hex Socket Head	
14	7091214	1	KEY, Woodruff #HP-506 Hi-Pro	<i>Used on EP217019BV &amp; ERP217019BV</i>
15	7015626	1	HUB, Blade Drive 25mm I.D.	
16	7090324	3	SCREW, 3/8-16 x 1" Self-Tapping	<i>engine mount bolts</i>
17	7090228	4	SCREW, 5/16-24 x 21/32" Oval Head Machine	
18	7032558	2	AIR LIFT	
19	7090391	4	WASHER, 5/16" Internal Tooth Lock	
20	7090223	4	NUT, 5/16-24 Hex, GR 5	
21	7041400	1	FENDER (Weldment), EP21S	
22	7090539	6	SCREW, 1/4-20 x 1/2" Hex Flange Self-Tap	
23	7073462	1	DECAL, Caution Symbols (International)	
24	7090702	1	BOLT, 5/16-18 x 2-1/4" Hex Flange Lock	
25	7013320	1	BUSHING, .388 x .625 x 1.62 Flanged	<i>matl: powdered metal</i>
26	7031961	2	WASHER, 7/16" Flat	
27	7033863	1	COVER, Belt- IP21S	
28	7090534	1	SCREW, 5/16-18 x 1/2" Hex Head Cap, GR 5	
29	7091076	1	WASHER, 5/16" Flat	
		1	*ENGINE, 6.75 Briggs Quantum Mod 125K02-0142-E1	<i>Used on ERP2167519BV</i>
		1	*ENGINE, 7HP Briggs Intek Euro Mod 128602-0112-E1	<i>Used on EP217019BV &amp; ERP217019BV</i>

### Footnotes:

**WHEEL BRACKETS, LATCHES**



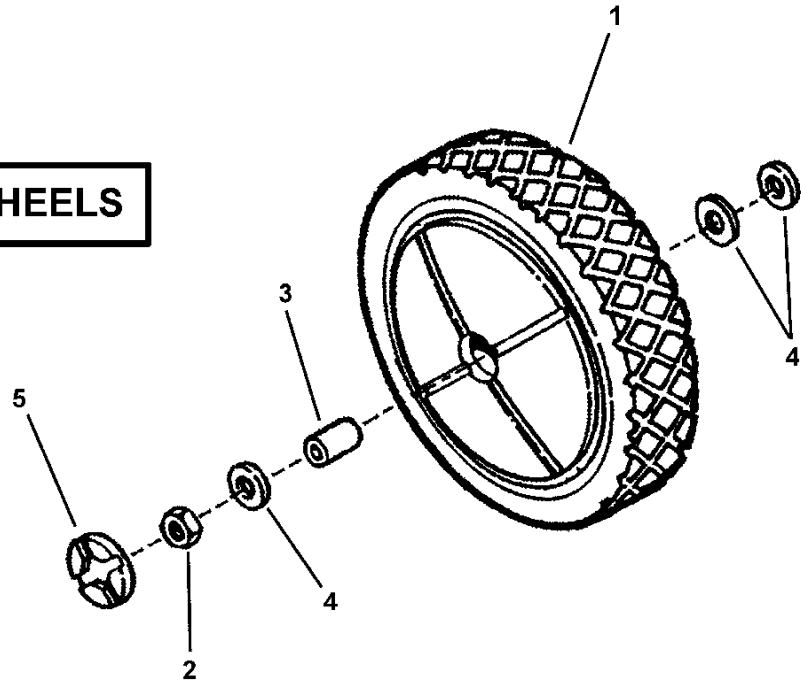
## WHEEL BRACKETS, LATCHES

---

Item	Part No	Qty	Description	Note
1A	7051885	1	ASSEMBLY, Left Wheel Arm	
1B	7051886	1	ASSEMBLY, Right Wheel Arm	<i>not shown</i>
2	7015761	1	BOLT, 5/16-18 x 3/4" Hex Washer Face Shoulder	<i>per wheel arm assembly</i>
3	7012325	1	LATCH, Height	<i>per wheel arm assembly</i>
4	7027702	1	GRIP, Height Latch	<i>per wheel arm assembly</i>
5A	7031017	1	WHEEL ARM, R.H. Front (Round Hole)	
5B	7031016	1	WHEEL ARM, L.H. Front (Square Hole)	<i>not shown</i>
6	7011791	4	RETAINER, 5/16" Bolt	
7	7090585	4	NUT, 5/16-18 Hex Flange Lock, GR 5	<i>or 7091601</i>
8	7021119	1	AXLE, 21"	
9	7012312	1	BEARING, 9/16" I.D.	<i>per Rear Wheel Arm</i>
10	7091012	3	SCREW, #10-32 x 3/8" Hex washer Self-Tap	<i>per Rear Wheel Arm</i>
11	7035717	1	LATCH, Height Adjusting (long)	<i>per Rear Wheel Arm</i>
12	7011078	1	BOLT, 5/16-18 x 1" Hex Washer Face Shoulder	<i>per wheel arm assembly</i>
13	7054230	1	ASSY, Wheel Arm, Right Rear (S.P.)	<i>Incl. 4, 6, 9, 10, 11, 15 &amp; 17</i>
14	7054231	1	ASSY, Wheel Arm Left Rear Long SP21S	<i>Incl. 4, 6, 9, 10, 11, 16 &amp; 17</i>
15	7032722	1	ARM, Wheel, Right Rear	
16	7032723	1	ARM, Wheel, Left Rear	

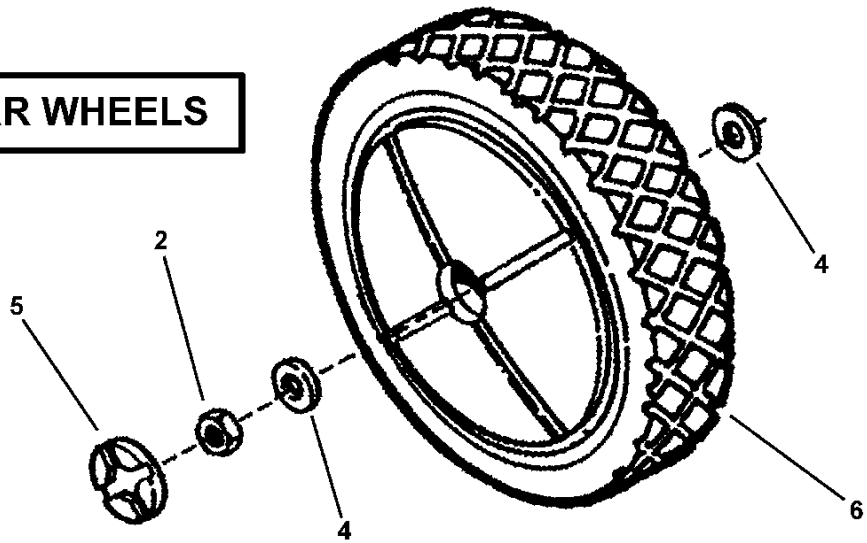
### Footnotes:

**FRONT WHEELS**



---

**REAR WHEELS**



**NOTE: Always replace wheel nut #7090377 when removing or replacing wheel.**

## **WHEELS, FRONT & REAR**

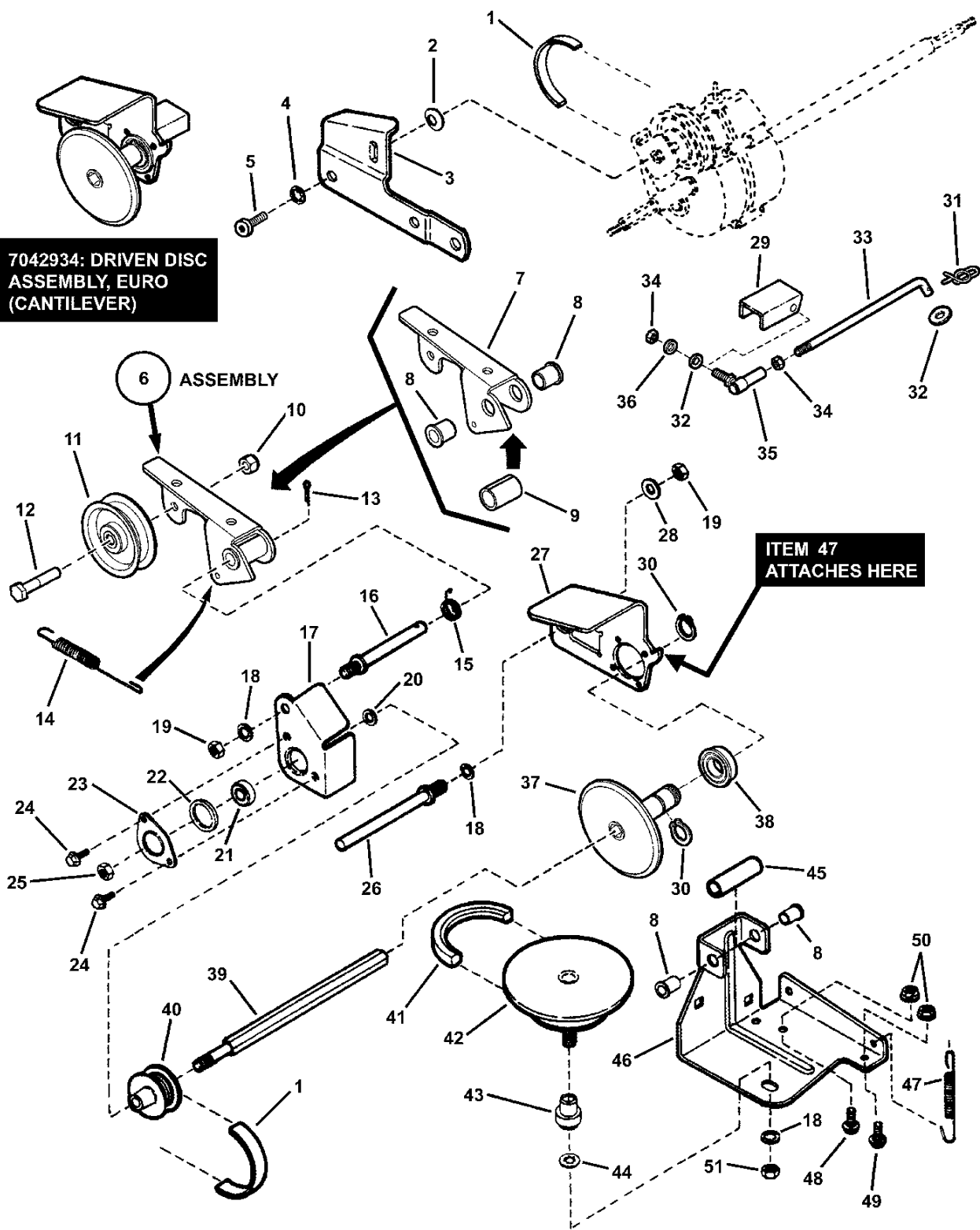
---

<b>Item</b>	<b>Part No</b>	<b>Qty</b>	<b>Description</b>	<b>Note</b>
1	7029010	2	WHEEL, 8 x 1.75" Plastic	
2	7090377	4	NUT, 7/16-20 Hex Center Lock Jam	
3	7012309	2	BUSHING, Axle	
4	7031961	2	WASHER, 7/16" Flat	
5	7017829	4	PLUG, Wheel	
6	7029011	2	WHEEL, 10 x 1.75" Plastic	

**Footnotes:**

**DRIVE SYSTEM SELF-PROPELLED**

**7042934: DRIVEN DISC ASSEMBLY, EURO (CANTILEVER)**



## DRIVE SYSTEM SELF-PROPELLED

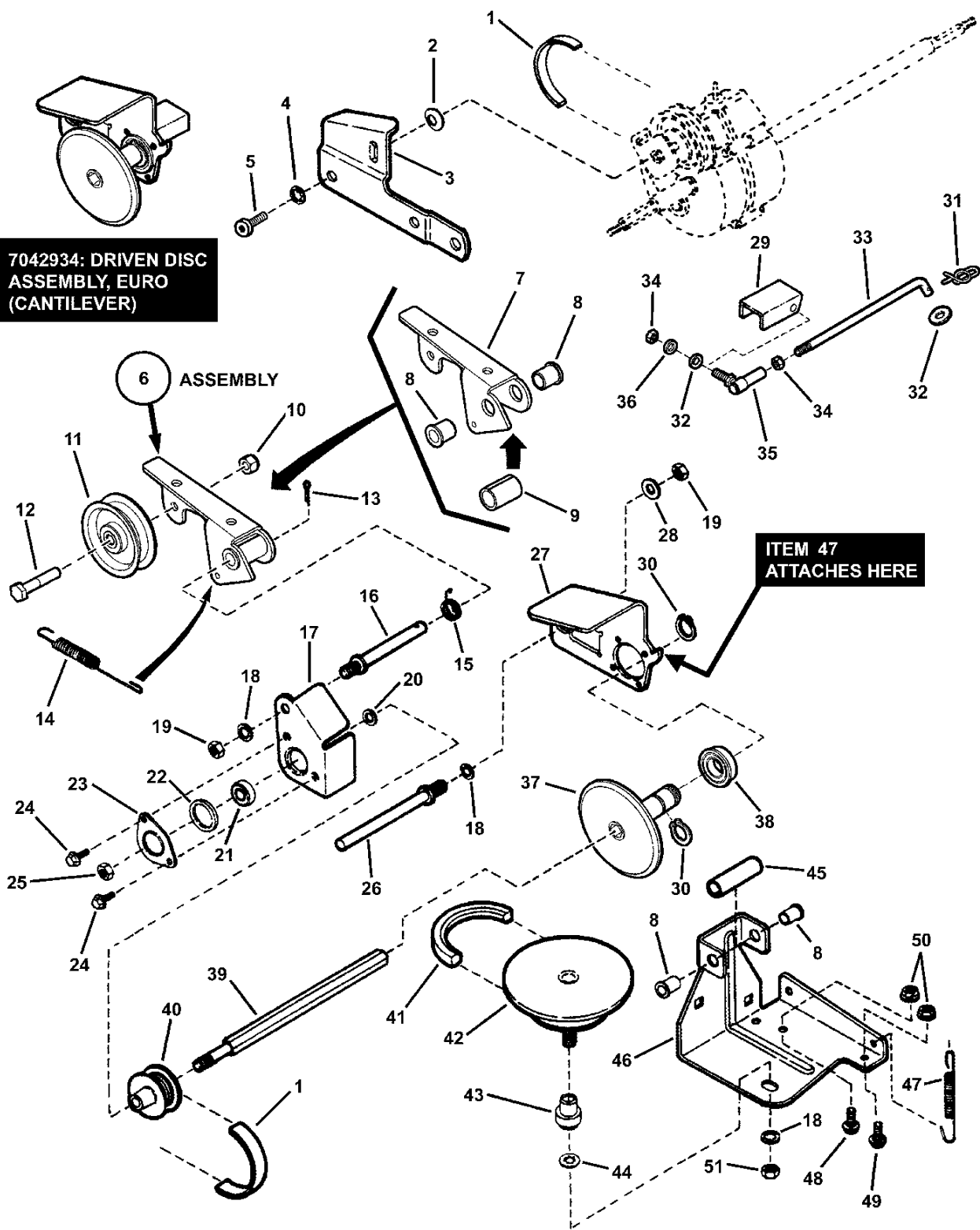
Item	Part No	Qty	Description	Note
1	7012354	1	BELT, Poly-V	
2	7011724	1	WASHER, 44 x .78 x .025 Curved	
3	7034179	1	LINK, Differential	
4	7090391	1	WASHER, 5/16" Internal Tooth Lock	
5	7091542	1	SCREW, 5/16-18 x 1/2" Pan Head Self-Tap (Torx)	
	7051913	1	ASSEMBLY, Clutch Idler (incl. items 6, 10, 11 & 12)	
6	7500154	1	ASSEMBLY, Idler Arm, Bushing & Spacer	
7	7032832	1	ARM, Clutch Idler	
8	7012306	4	BUSHING, Flange, .381 x .625 x .62	
9	7100447	1	SPACER, Idler Arm	
10	7090303	1	NUT, 1/4-28 Hex Top Lock	
11	7012124	1	PULLEY, Idler, V21	
12	7091025	1	SCREW, 1/4-28 x 1-3/8" Hex Head Cap, GR 5	
13	7090555	1	COTTER PIN, 3/32 x 1/2"	
14	7012122	1	SPRING, Clutch- 21S	See also HANDLES & CONTROLS page
15	7012126	1	SPRING, Idler- Torsion	
16	7012111	1	STUD, Idler (3/8-24 thread)	
17	7031873	1	HOLDER, Bearing (Inner Half)	
18	7090390	3	WASHER, 3/8" Internal Tooth Lock	
19	7091630	2	NUT, 3/8-24 Hex	
20	7012316	1	WASHER, .390 I.D. Flat	
21	7028014	1	BALL BEARING, Spherical O.D., .38 I.D.	
22	7011025	1	O-RING, V21	
23	7031809	1	HOLDER, Bearing (Outer Half)	
24	7090539	2	SCREW, 1/4-20 x 1/2" Hex Flange Self-Tap	or 7091122
25	7090289	1	NUT, 3/8-24 Hex Center Lock, GR 5	
26	7012125	1	GUIDE, Thrust Plate (3/8-24 thread)	
	7042934	1	*ASSY, Driven Disc (Cantilever) Euro	
27	7034281	1	THRUST PLATE, Short	
28	7090122	1	WASHER, 3/8" Flat	
29	7032664	1	SHIELD- Hex Shaft	
30	7010746	2	RETAINING RING, .625 External	
31	7091629	1	COTTER PIN, .06 x .50 YZ	or 7090673
32	7091294	2	WASHER, .28 x .63 x .06 Flat	
33	7074145	1	LINK, Transfer (1/4-28 thread)	
34	7090095	2	NUT, 1/4-28 Hex	See also HANDLES & CONTROLS page
35	7015753	1	BALL JOINT, 1/4-28	See also HANDLES & CONTROLS page

### Footnotes:

NOTE\* 7042934 Assembly includes items 18, 19, 26-30, 32, 34, 36, 37 & 38.

**DRIVE SYSTEM SELF-PROPELLED**

**7042934: DRIVEN DISC ASSEMBLY, EURO (CANTILEVER)**





## **DRIVE SYSTEM SELF-PROPELLED**

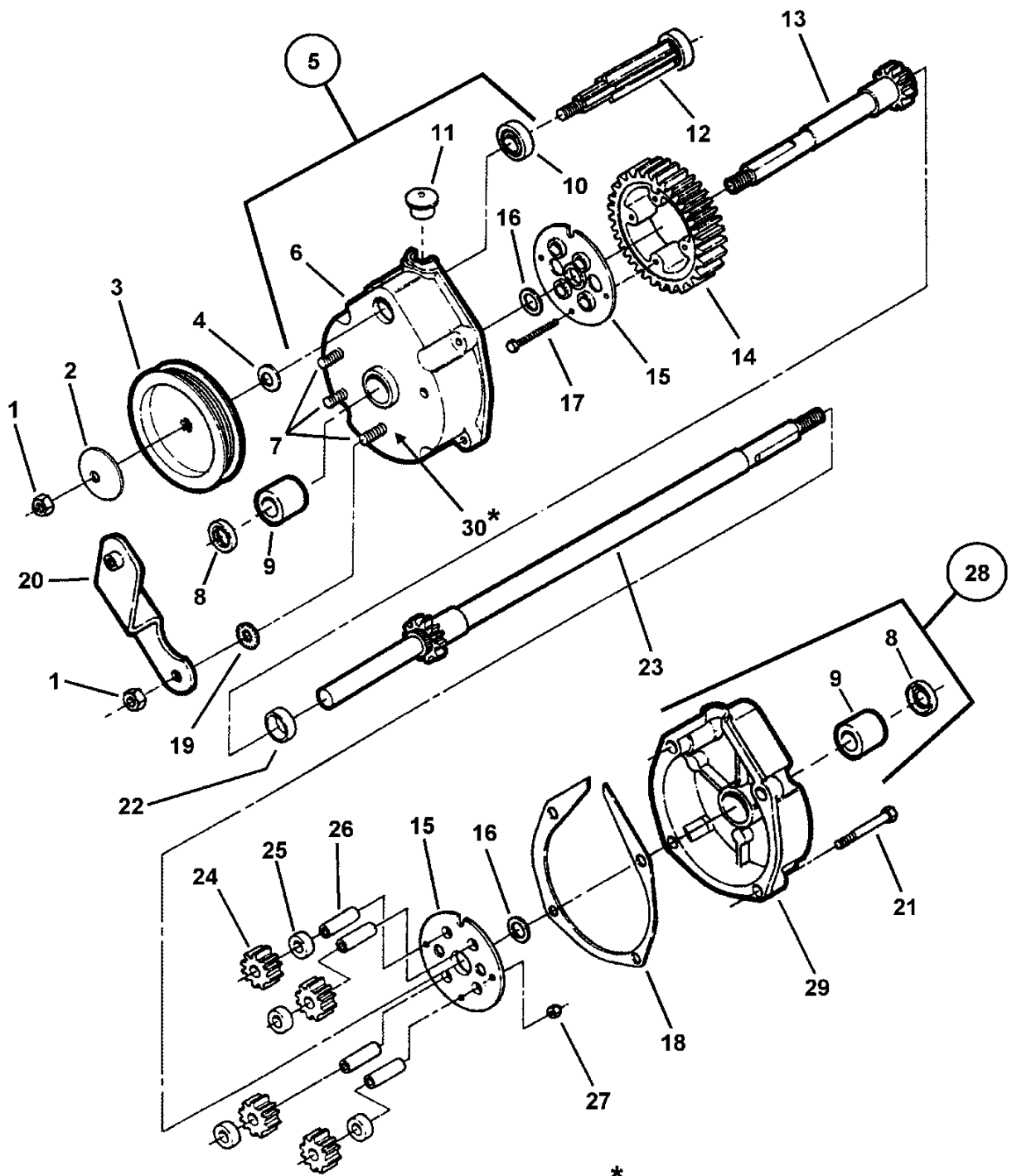
---

<b>Item</b>	<b>Part No</b>	<b>Qty</b>	<b>Description</b>	<b>Note</b>
36	7090053	1	WASHER, 1/4" Internal Tooth Lock	
37	7041855	1	DISC, Driven (Cantilever)	
38	7026693	1	BALL BEARING- 3/4" Bore	
39	7072284	1	SHAFT, Hex Drive	
40	7024521	1	PULLEY, Poly-V (2" O.D.)	
41	7046784	1	BELT, Engine Drive (Stretch)	
42	7073528	1	ASSEMBLY, Steel Drive Disc	<i>7053263, Drive Disc &amp; Bushing Assembly is made of items 42 &amp; 43.</i>
43	7017696	1	BUSHING, Powdered Metal	
44	7011791	1	RETAINER, 5/16" Bolt	
	7052987	1	ASSEMBLY, Deck Bracket (Incl. items 8, 45 & 46)	
45	7021758	1	SPACER, .500 x .65 x 1.75	
46	7033774	1	BRACKET, Deck, P21S	
47	7029025	1	SPRING, Wheel Drive	
48	7090731	1	BOLT, 5/16-18 x 1/2", Short Neck Carriage, GR 5	
49	7091026	1	BOLT, 5/16-18 x 5/8" Short Neck Carriage GR 5	<i>or 7090799</i>
50	7090585	2	NUT, 5/16-18 Hex Flange Lock, GR 5	<i>or 7091070</i>
51	7091302	1	NUT, 3/8-16 Hex, GR 5 or B	

### **Footnotes:**

NOTE\* 7042934 Assembly includes items 18, 19, 26-30, 32, 34, 36, 37 & 38.

**TRANSMISSION (DIFFERENTIAL)**



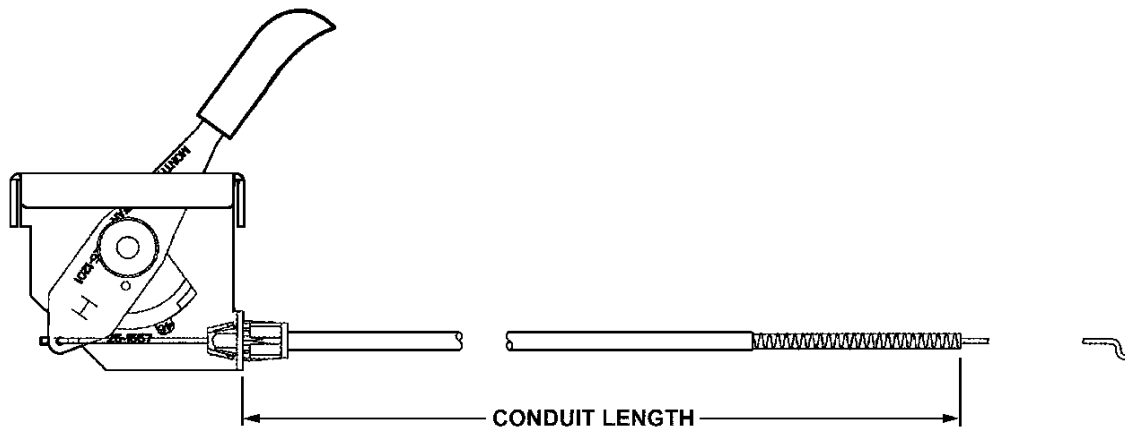
\* UNDER HEAD OF SCREW, ITEM 7

## TRANSMISSION (DIFFERENTIAL)

Item	Part No	Qty	Description	Note
	7059070	1	ASSEMBLY, Transmission (Incl. items 1 thru 30)	
1	7092062	4	NUT, 5/16-18 Hex Lock	or 7011201
2	7092063	1	WASHER, Cone	
3	7019213	1	PULLEY, Poly-V Belt (3.5" O.D.)	
4	7011724	2	WASHER, 44 x .78 x .025 Curved	
5	7053941	1	ASSEMBLY, Right Housing (Incl. items 6, 7, 8, 9, 10 & 30)	
6	7029034	1	HOUSING, Right Side	
7	7014155	3	SCREW, 5/16-24 x 1-1/8" Rib Neck, GR 5	
8	7012314	1	SEAL, 5/8" Internal Diameter	
9	7029035	1	BEARING, Tapered- (Differential Housing)	
10	7073963	1	BALL BEARING, 7/16 I.D., 1/1/8" O.D.	was 7011767
11	7016544	1	PLUG, Transmission Housing	
12	7050767	1	GEAR, Input	
13	7051932	1	AXLE, Short	
14	7012495	1	GEAR, Differential (46 Tooth)	
15	7031970	2	PLATE, 46T Gear	
16	7031965	2	WASHER, Thrust, 3/4" I.D.	
17	7090557	4	SCREW, #10-32 x 1-1/2" Hex Head Cap GR 5	
18	7011774	1	GASKET, Housing	
19	7090189	3	WASHER, 5/16" Internal/External Tooth Lock	
20	7051903	1	BRACKET, Differential	
21	7092064	4	SCREW, 1/4-20 x 1" Hex washer Self-Tap	or 7091825
22	7012543	1	SPACER, Axle Gear	
23	7051933	1	ASSEMBLY, Long Axle	
24	7021115	4	GEAR, Pinion (12 tooth)	
25	7012500	4	SPACER, Pinion Gear	
26	7011110	4	SHAFT, Pinion	
27	7090376	4	NUT, #10-32 Hex Nyloc	
28	7053938	1	ASSY, Left Housing (Phantom)	
29	7029033	1	HOUSING, Left	
30	7024442	3	GASKET, 5/8" O. D.	
	7061017	32oz.	**00" Grease	not shown

### Footnotes:

NOTE\* Maximum capacity of transmission case is 4 oz. DO NOT OVERFILL!




---

**ENGINE SPECIFICATIONS**

ENGINE H.P.	START TYPE	MANUFACTURER	MODEL	TYPE	USED ON:
6.75	ROPE	BRIGGS	125K02	0142-E1	ERP2167519BV
7.0	ROPE	BRIGGS	128602	0112-E1	EP217019BV & ERP217019BV

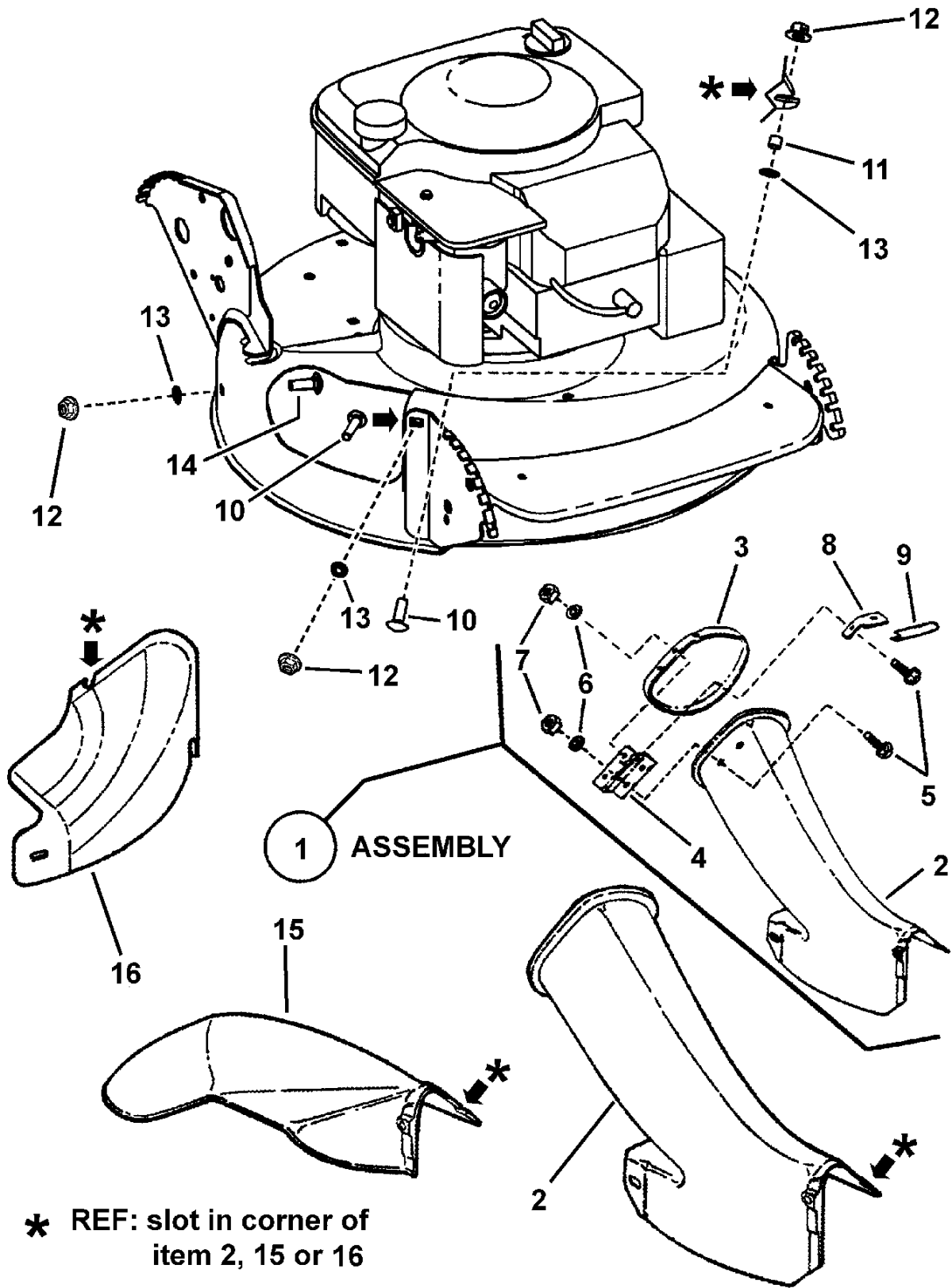
## **THROTTLE CONTROLS/ENGINE SPECS**

---

<b>Item</b>	<b>Part No</b>	<b>Qty</b>	<b>Description</b>	<b>Note</b>
	7074460	1	THROTTLE CONTROL, .48 x .61	(conduit length: 48-1/2")

**Footnotes:**

**SIDE CHUTE ADAPTER**



**\* REF: slot in corner of  
item 2, 15 or 16**

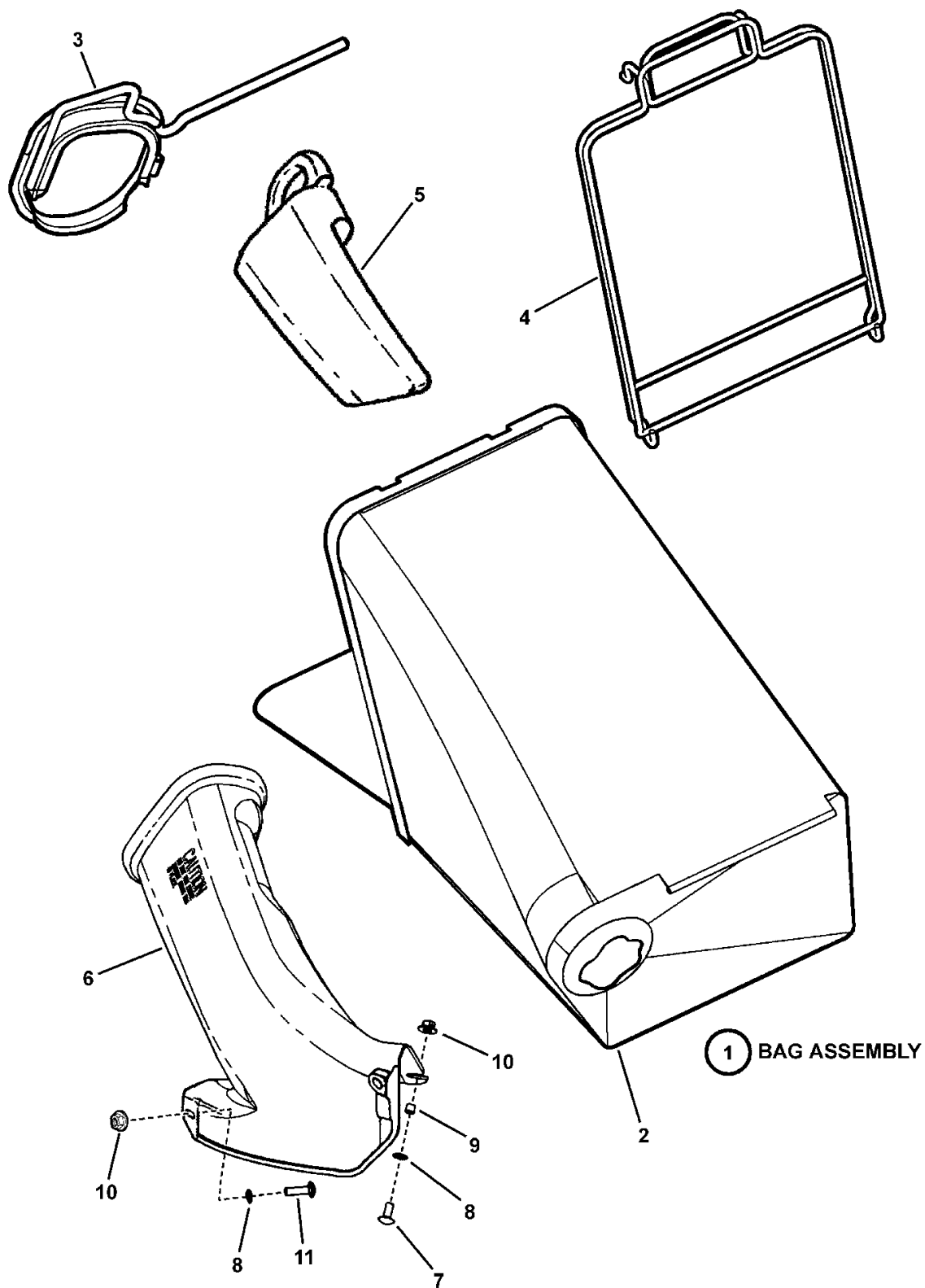
## **SIDE CHUTE ADAPTER**

---

<b>Item</b>	<b>Part No</b>	<b>Qty</b>	<b>Description</b>	<b>Note</b>
1	7051951	1	ASSEMBLY, Bag Adapter/Cover	<i>(Includes items 2 thru 9)</i>
2	7016107	1	ADAPTER, Grass Bag Euro 21"	<i>see Grass Bag Accessory page</i>
3	7019287	1	COVER, Bag Adapter	
4	7023000	1	HINGE, Chute Cover	
5	7091064	5	BOLT, 1/4-20 x 1/2" Short Neck Carriage, GR 5	
6	7090053	2	WASHER, 1/4" Internal Tooth Lock	
7	7091100	2	NUT, 1/4-20 Hex	<i>or 7091576</i>
8	7032661	1	STOP, Cover	
9	7023042	1	TRIM, Moulding	
10	7091169	2	BOLT, 5/16-18 x 1-1/8" Short Neck Carriage, GR 5	
11	7024340	1	SPACER, .316 I.D. x .375 O.D. x .310 thick	
12	7090951	3	NUT, 5/16-18 Hex Large Flange Center Lock	
13	7011791	3	RETAINER, 5/16" Bolt	
14	7090001	1	BOLT, 5/16-18 x 3/4" Short Neck Carriage GR 5	<i>or 7091508</i>
15	7042965	1	SIDE CHUTE, 21"	
16	7029149	1	COVER, 21" Deck	

### **Footnotes:**

# ACCESSORY GRASS BAG



1 BAG ASSEMBLY

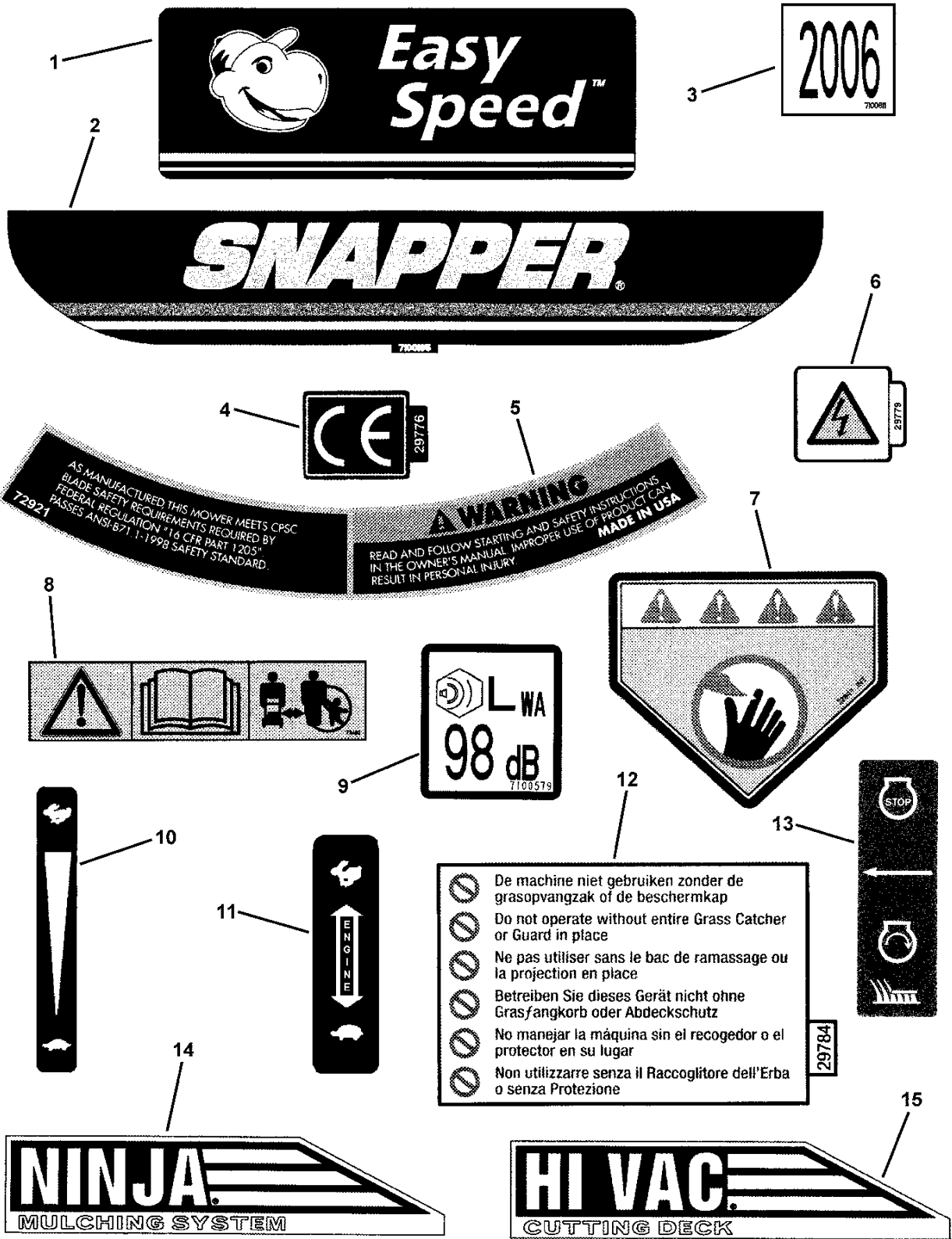


## **ACCESSORY GRASS BAG**

---

<b>Item</b>	<b>Part No</b>	<b>Qty</b>	<b>Description</b>	<b>Note</b>
1	7058571	1	BAG ASSEMBLY (Door)	<i>includes items 2, 3 &amp; 4</i>
2	7075765	1	GRASS BAG (Door w/Gray Letters)	
3	7042489	1	CONNECTOR, Grass Bag (weldment)	
4	7051906	1	ASSEMBLY, Bag Wire (12" Wide)	
5	7016814	1	PLUG, Chute Adapter	
6	7016107	1	ADAPTER, Grass Bag Euro 21"	
7	7091169	2	BOLT, 5/16-18 x 1-1/8" Short Neck Carriage, GR 5	
8	7011791	2	RETAINER, 5/16" Bolt	
9	7024340	1	SPACER, .316 I.D. x .375 O.D. x .310 thick	
10	7090951	2	NUT, 5/16-18 Hex Large Flange Center Lock	
11	7090001	1	BOLT, 5/16-18 x 3/4" Short Neck Carriage GR 5	<i>or 7091508</i>

### **Footnotes:**



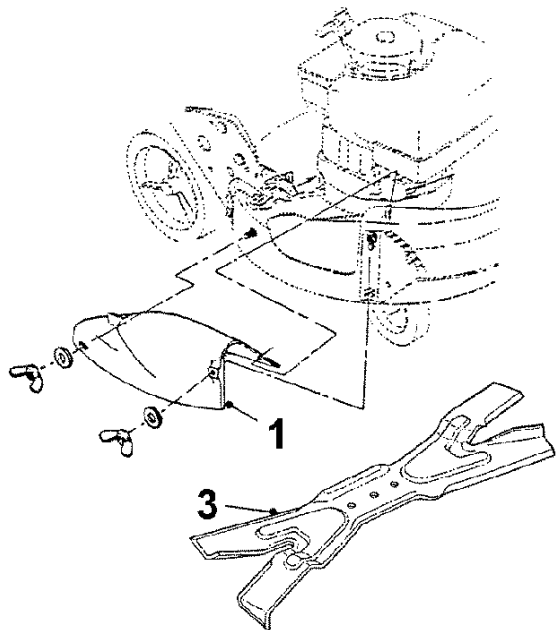
## DECALS

---

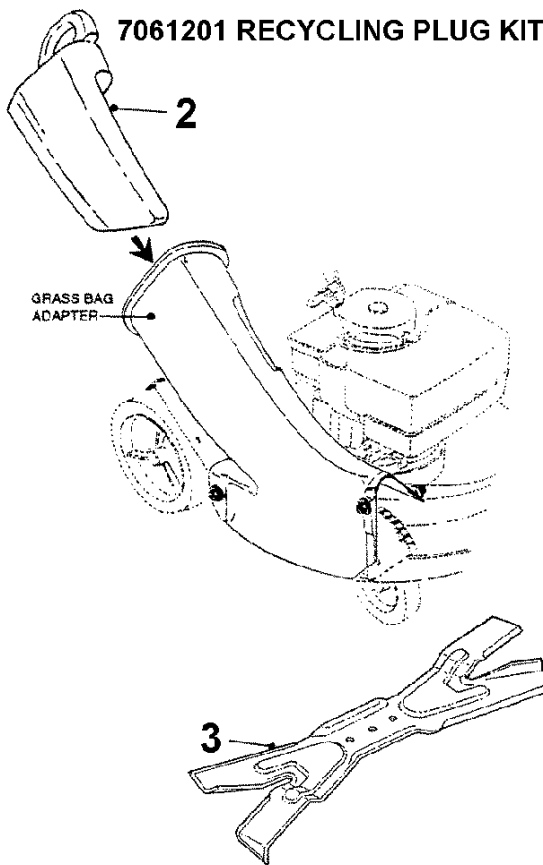
Item	Part No	Qty	Description	Note
1	7100183	1	DECAL, Easy Speed, Control Panel	
2	7100185	1	DECAL, SNAPPER, Steel Decks	
3	7100611	1	DECAL, 2006 Year of Mfg.	
4	7029776	1	DECAL, Euro Community (CE)	
5	7072921	1	DECAL, Warning (Deck)	
6	7029779	1	DECAL, Spart Plug International Symbol	
7	7022841	2	DECAL, Warning (Euro)	
8	7073462	1	DECAL, Caution, Symbols	
9	7100579	1	DECAL, Noise, 98 dB	
10	7075471	1	DECAL, Speed Shift	
11	7075532	1	DECAL, Throttle Control, B&S	
12	7029784	2	DECAL, Deck/Chute International Warning	
13	7029782	1	DECAL, OPC Bail (International Symbol)	
14	7100410	1	DECAL, Ninja, Mulching System	
15	7100398	1	DECAL, Hi Vac, Cutting Deck	

### Footnotes:

**7061200 RECYCLING COVER KIT**



**7061201 RECYCLING PLUG KIT**

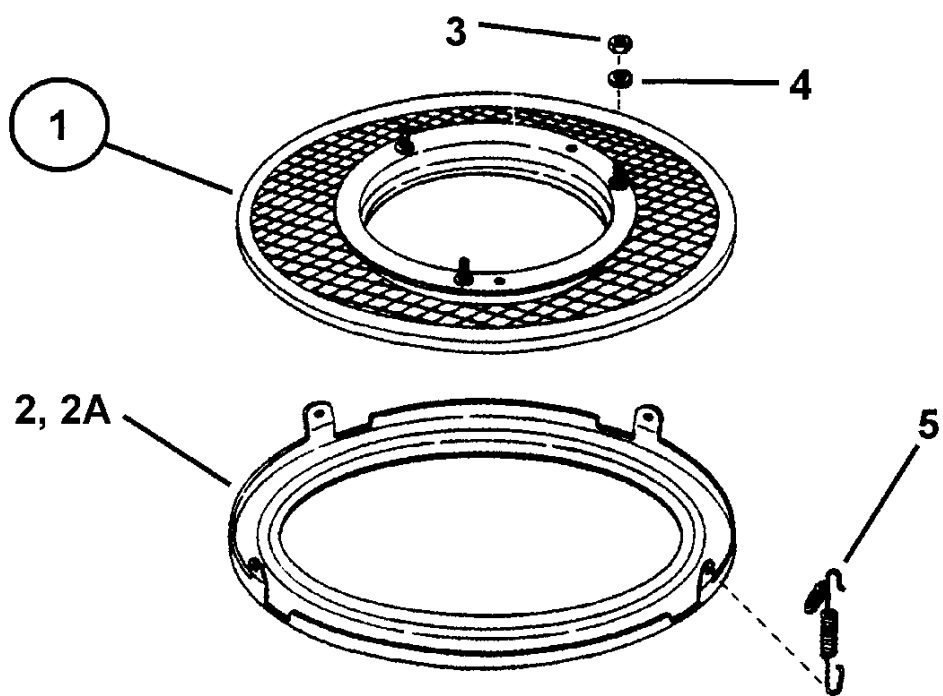


## **RECYCLING KITS ACCESSORY**

---

<b>Item</b>	<b>Part No</b>	<b>Qty</b>	<b>Description</b>	<b>Note</b>
	7061200		KIT, Recycling Cover (Incl. items 1 & 3 below)	<i>for 4HP &amp; above engines</i>
	7061201		KIT, Recycling Plug (Incl. items 2 & 3 below)	<i>for 4HP &amp; above engines</i>
1	7029149	1	COVER, 21" Deck	
2	7016814	1	PLUG, Chute Adapter	
3	7026407	1	BLADE, 21" Quad Edge Ninja	

### **Footnotes:**



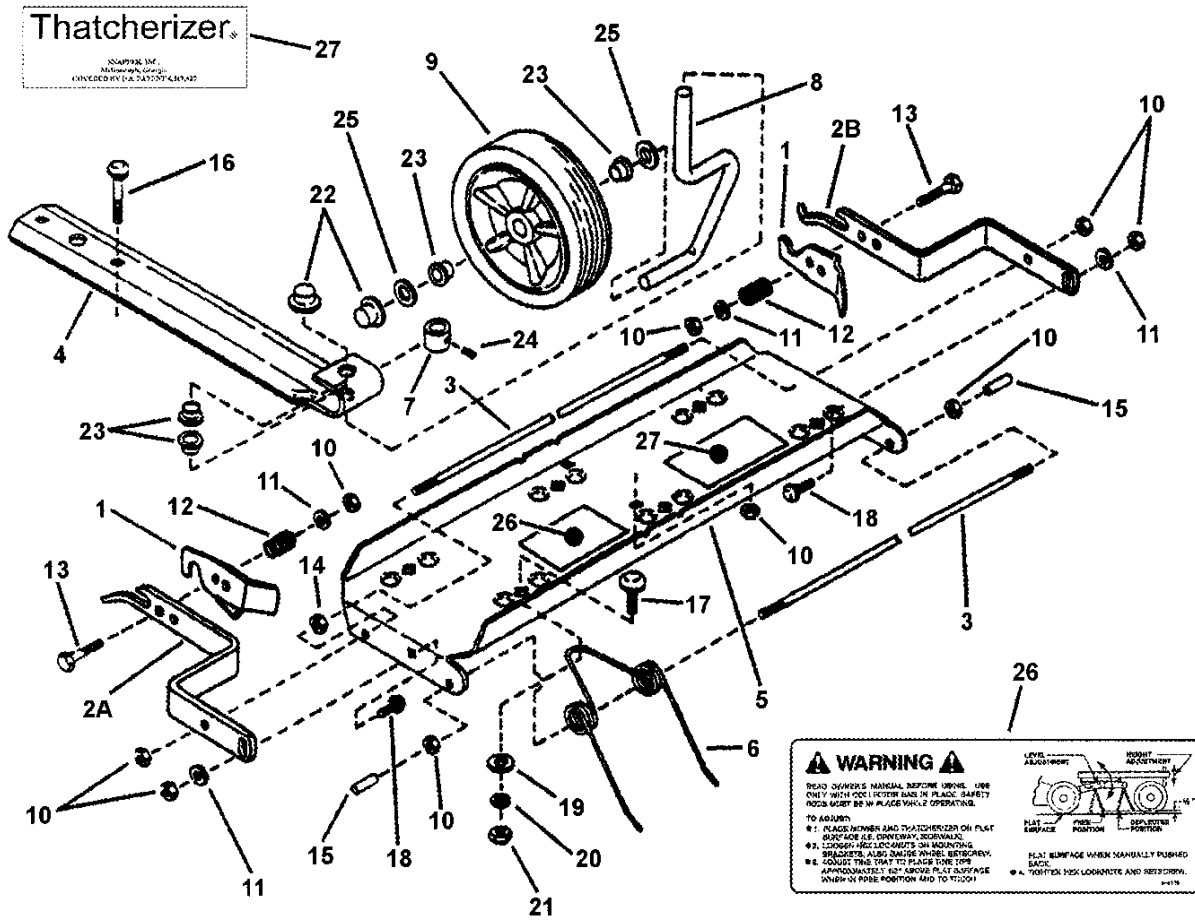
## SNAPPERIZER ACCESSORY

---

Item	Part No	Qty	Description	Note
	7060440		KIT, Snapperizer "HV" (Incl. items 1 & 2 thru 5)	<i>used on EP217019BV</i>
	7063041		KIT, Snapperizer "F & M" (Incl. items 1 & 2A thru 5)	<i>used on ERP2167519BV &amp; ERP217019BV</i>
1	7051243	1	SCREEN, Fastener Assembly	
2	7039579	1	RING, Bottom (21.77" Inside Diameter)	
2A	7072002	1	RING, Bottom (22.60" Inside Diameter)	
3	7090223	3	NUT, 5/16-24 Hex, GR5	<i>only 1 shown</i>
4	7090187	3	WASHER, 5/16" Split Lock	<i>only 1 shown</i>
5	7012587	3	SPRING	<i>only 1 shown</i>

### Footnotes:

# THATCHERIZER ASSEMBLY





## THATCHERIZER ASSEMBLY

---

Item	Part No	Qty	Description	Note
	7061256		KIT, Thatcherizer (Incl. items 1 thru 27)	
1	7032891	2	LATCH, Frame Attachment	
2A	7026572	1	BAR, Mount (Right Hand)	
2B	7026573	1	BAR, Mount (Left Hand)	
3	7018499	2	ROD, Tine	
4	7018700	1	SUPPORT, Wheel	
5	7019948	1	TRAY, Tine	
6	7018496	6	KIT, Tine Thatching Spring	was 7060574
7	7014100	1	BUSHING, Wheel Adjuster	
8	7018493	1	AXLE, Wheel	
9	7018189	1	WHEEL, 7.00 x 1.50 Gage	
10	7091705	10	NUT, 1/4-20 Hex Top Lock	was 7090761 (only 9 shown)
11	7091294	4	WASHER, 1/4" Flat	was 7090055
12	7022425	2	SPRING, Compression	
13	7090825	2	BOLT, 1/4-20 x 1-1/4" Hex, GR 5	
14	7091576	2	NUT, 1/4-20 Hex, GR 5	was 7090063
15	7022424	2	CAP, Vinyl	
16	7090015	2	BOLT, 1/4-20 x 2-1/2" Square Neck Carriage	only 1 shown
17	7091303	6	BOLT, 5/16-18 x 1" Square Neck Carriage, GR 5	was 7090383 (only 1 shown)
18	7091530	2	BOLT, 1/4-20 x 3/4" Square Neck Carriage, GR 5	was 7090074
19	7014098	6	WASHER, Reinforcing	only 1 shown
20	7090187	6	WASHER, 5/16" Split Lock	only 1 shown
21	7091511	6	NUT, 5/16-18 Hex, GR 5	was 7090196 (only 1 shown)
22	7014101	2	NUT, 1/2" Push	
23	7014342	4	BEARING, Nylon	
24	7014103	1	SCREW, 5/16-18 x 1/4" Set	
25	7090250	2	WASHER, 1/2" Flat	
26	7014115	1	DECAL, Adjustment	
27	7014062	1	DECAL, Thatcherizer	

### Footnotes:





*Parts Manual for*

# **SNAPPER®**

## **21" STEEL DECK EUROPEAN WALK BEHIND MOWERS SERIES 19**

IT IS THE POLICY OF SNAPPER TO IMPROVE ITS PRODUCTS  
WHENEVER IT IS POSSIBLE AND PRACTICAL TO DO SO. WE  
RESERVE THE RIGHT TO MAKE CHANGES OR ADD IMPROVEMENTS  
AT ANY TIME WITHOUT INCURRING ANY OBLIGATION TO MAKE  
SUCH CHANGES ON PRODUCTS MANUFACTURED PREVIOUSLY.

**SNAPPER®** McDonough, GA, 30253 U.S.A.