

Parts Manual for
SNAPPER®

**SCRAMBLER ZERO-TURN
42" & 48" HYDRO DRIVE SZT
SERIES 6**

MODEL

SZT18426BVE

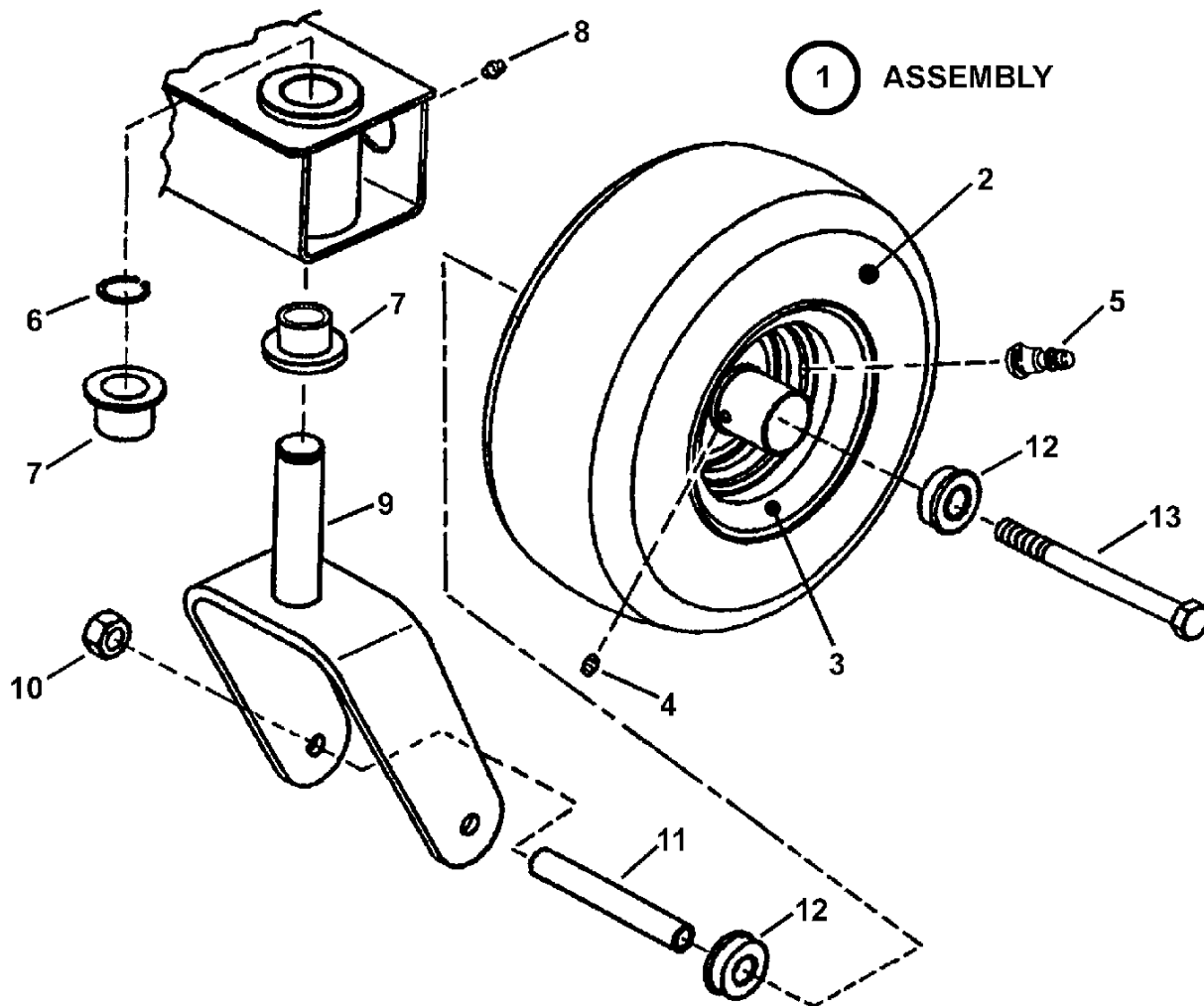
SZT20486BVE



SNAPPER® McDonough, GA, 30253 U.S.A.

PAGE	GROUP
4	CASTER, FRONT WHEEL & TIRE ASSEMBLY
6	WHEELS- REAR
8	42" FRONT FRAME & COVER ASSEMBLY
10	48" FRONT FRAME & COVER ASSEMBLY
12	REAR FRAME ASSEMBLY
16	FENDER & TRANSAXLE ASSEMBLY
20	OPERATOR SEAT & TANK
22	TWIN STICK CONTROL, R.H.
26	TWIN STICK CONTROL, L.H.
30	BRAKE/CLUTCH LEVER ASSEMBLY
32	ENGINE COMPONENTS
36	CLUTCH ASSEMBLY
38	42" DECK LIFT HANDLE ASSEMBLY
40	48" DECK LIFT HANDLE ASSEMBLY
42	42" MOWER DECK ASSEMBLY (Part 2)
44	42" MOWER DECK ASSEMBLY (Part 1)
46	42" MOWER DECK ASSEMBLY (Part 3)
48	48" MOWER DECK ASSEMBLY (Part 1)
50	48" MOWER DECK ASSEMBLY (Part 2)
52	42" SPINDLE ASSEMBLY
54	48" SPINDLE ASSEMBLY
56	DECALS
58	ELECTRICAL COMPONENTS (Part 1)
60	ELECTRICAL COMPONENTS (Part 2)
62	WIRING SCHEMATIC

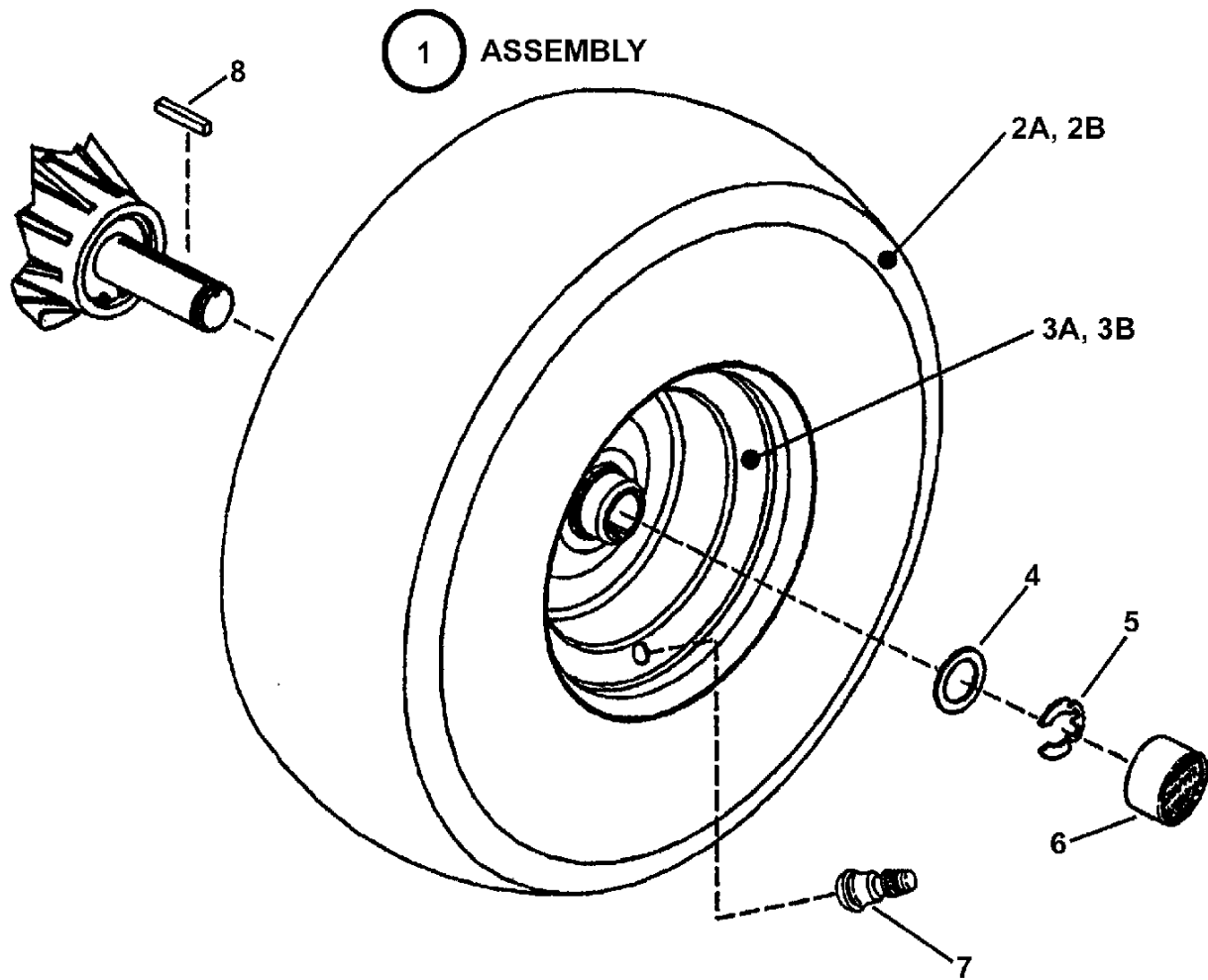
CASTER, FRONT WHEEL & TIRE ASSEMBLY



CASTER, FRONT WHEEL & TIRE ASSEMBLY

Item	Part No	Qty	Description	Note
1	7059090	2	ASSEMBLY, Front Wheel & Tire (Complete) (Includes Items 2 thru 5)	
2	7035618	1	TIRE, 11 x 4.00-5, Smooth Tread	<i>per front wheel & tire assembly</i>
3	7039477	1	RIM, 5.00 Dia. x 3.00	<i>per front wheel & tire assembly</i>
4	7076998	1	LUBE FITTING, 1/4-28 Thread Forming	<i>Was 29275, per front wheel & tire assembly</i>
5	7012234	1	VALVE STEM, Air (Snap-in)	<i>per front wheel & tire assembly</i>
6	7012709	2	RING, 1" External Retaining	
7	7023556	4	BUSHING, Caster	<i>Was 46626</i>
8	7013864	2	LUBE FITTING, Straight (press-fit for .187 dia. Hole)	
9	7041783	2	WELDMENT, Pivot Yoke, Caster	
10	7090839	2	NUT, 7/16-14 Hex Center Lock, GR 5 or B	
11	7035359	2	TUBE, 5/8 O.D. x 14 Ga x 4.51	
12	7035358	4	BEARING, Ball, 5/8 x 1-3/8"	
13	7091772	2	SCREW, 7/16-14 x 6" Hex Head Cap, GR5	

Footnotes:

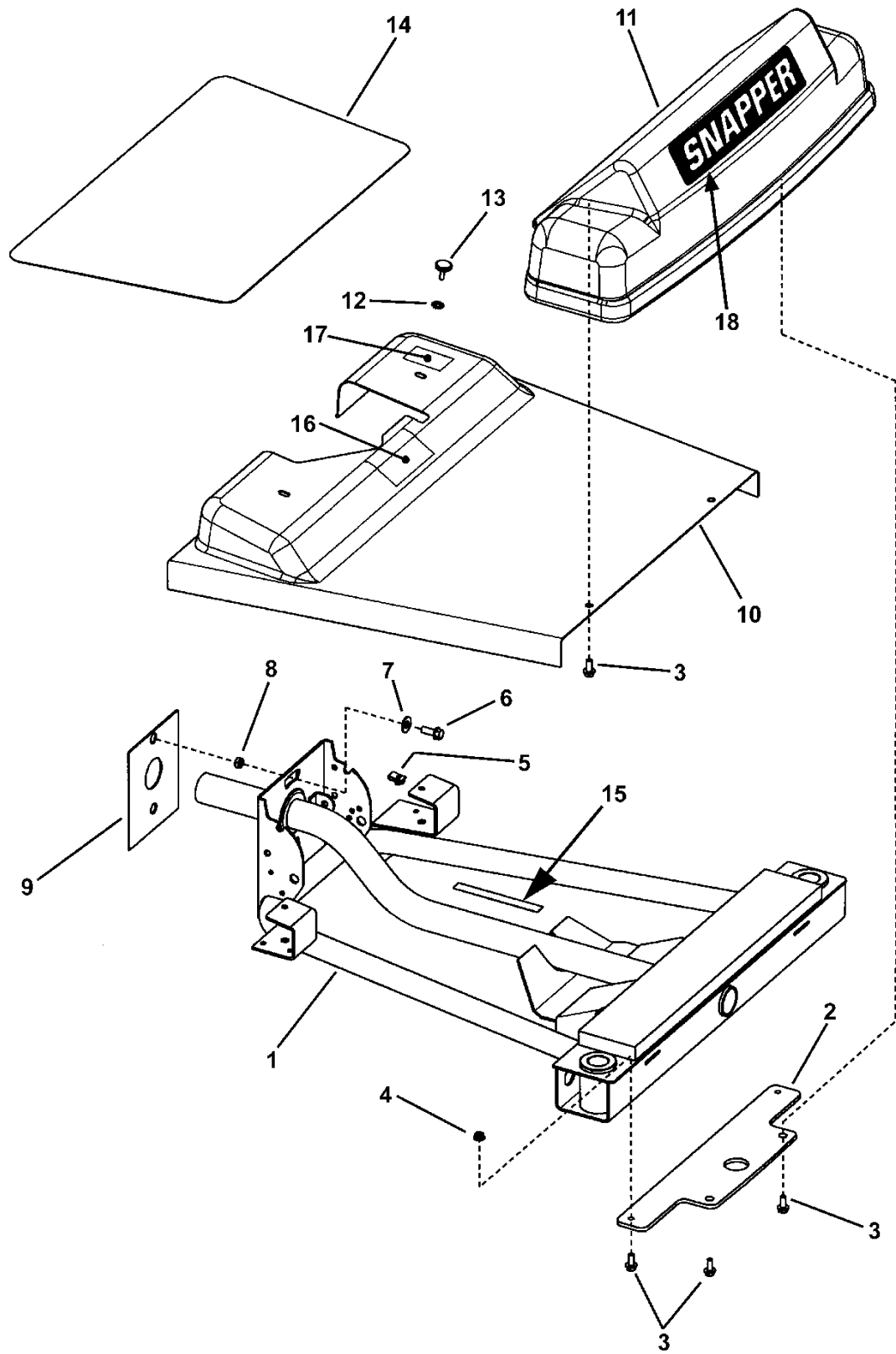


WHEELS- REAR

Item	Part No	Qty	Description	Note
1	7058948	2	ASSEMBLY, Rear Tire & Rim, 18 x 8.50-8 Multi-Trac (Incl items 2A, 3A & 7)	<i>used in SZT18426BVE</i>
--	7058959	2	ASSEMBLY, Rear Tire & Rim, 18 x 9.50-8 Multi-Trac (Incl items 2B, 3B & 7)	<i>used in SZT20486BVE</i>
2A	7046322	1	TIRE, 18 x 8.50-8, Multi-Trac	<i>per rear wheel & tire assembly</i>
2B	7072706	1	TIRE, 18 x 9.50-8, Multi-Trac	<i>Was 46339, per rear wheel & tire assembly</i>
3A	7039468	1	RIM, 18 x 8.50 w/25mm Hub	<i>per rear wheel & tire assembly</i>
3B	7039468	1	RIM, 18 x 8.50 w/ 25mm Hub	<i>per rear wheel & tire assembly</i>
4	7072028	2	WASHER, 1.56 x 1.054 x .047 Flat	
5	7091764	2	KLIPRING, 1" External	<i>Waldes Truarc #5304-100</i>
6	7011022	2	HUB CAP, Polyethylene	
7	7012234	1	VALVE STEM, Air (Snap-in)	<i>per rear wheel & tire assembly</i>
8	7042940	2	KEY, Square M6 x 38mm	

Footnotes:

42" FRONT FRAME & COVER ASSEMBLY

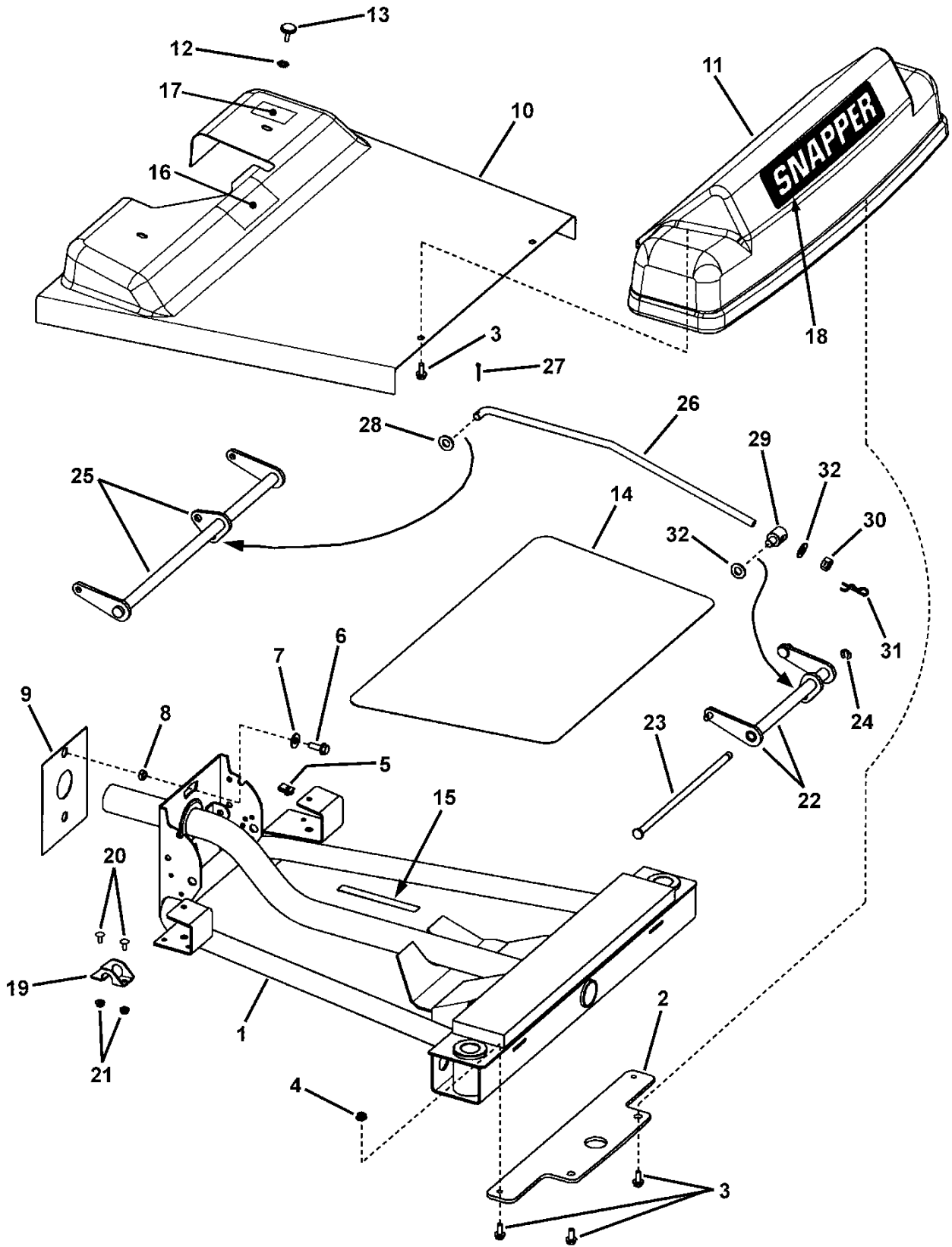


42" FRONT FRAME & COVER ASSEMBLY

Item	Part No	Qty	Description	Note
1	7059380	1	WELDMENT, Front Frame Series #3	
2	7075910	1	PLATE, Footrest Support	
3	7090595	6	BOLT, 5/16-18 x 3/4" Hex Flange Lock	
4	7091601	5	NUT, 5/16-18 Hex Flange Lock, GR 5	Was 91070
5	7028260	2	FASTENER, "U" Type	
6	7090324	2	SCREW, 3/8-16 x 1" Hex Washer Self-tap	
7	7090517	2	WASHER, 3/8" FLAT (wide)	
8	7035375	2	SPACER, Front Frame Pivot	
9	7035374	1	PLATE, Front Frame Slip	
10	7075841	1	FLOOR PAN, HOZ	
11	7075219	1	FOOTREST, HOZ	
12	7091890	4	WASHER, 1/4" Internal/External Lock	
13	7023341	2	KNOB (1/4-20 thread)	
14	7075885	1	MAT, Floor	
15	7041818	3	PAD, Floor Board Support	
16	7075993	1	DECAL, Warning, Read Manuals & Instructions	see decal page
17	7046426	1	DECAL, Deck Height	see decal page
18	7071916	1	DECAL, SNAPPER (14.56" long)	

Footnotes:

48" FRONT FRAME & COVER ASSEMBLY

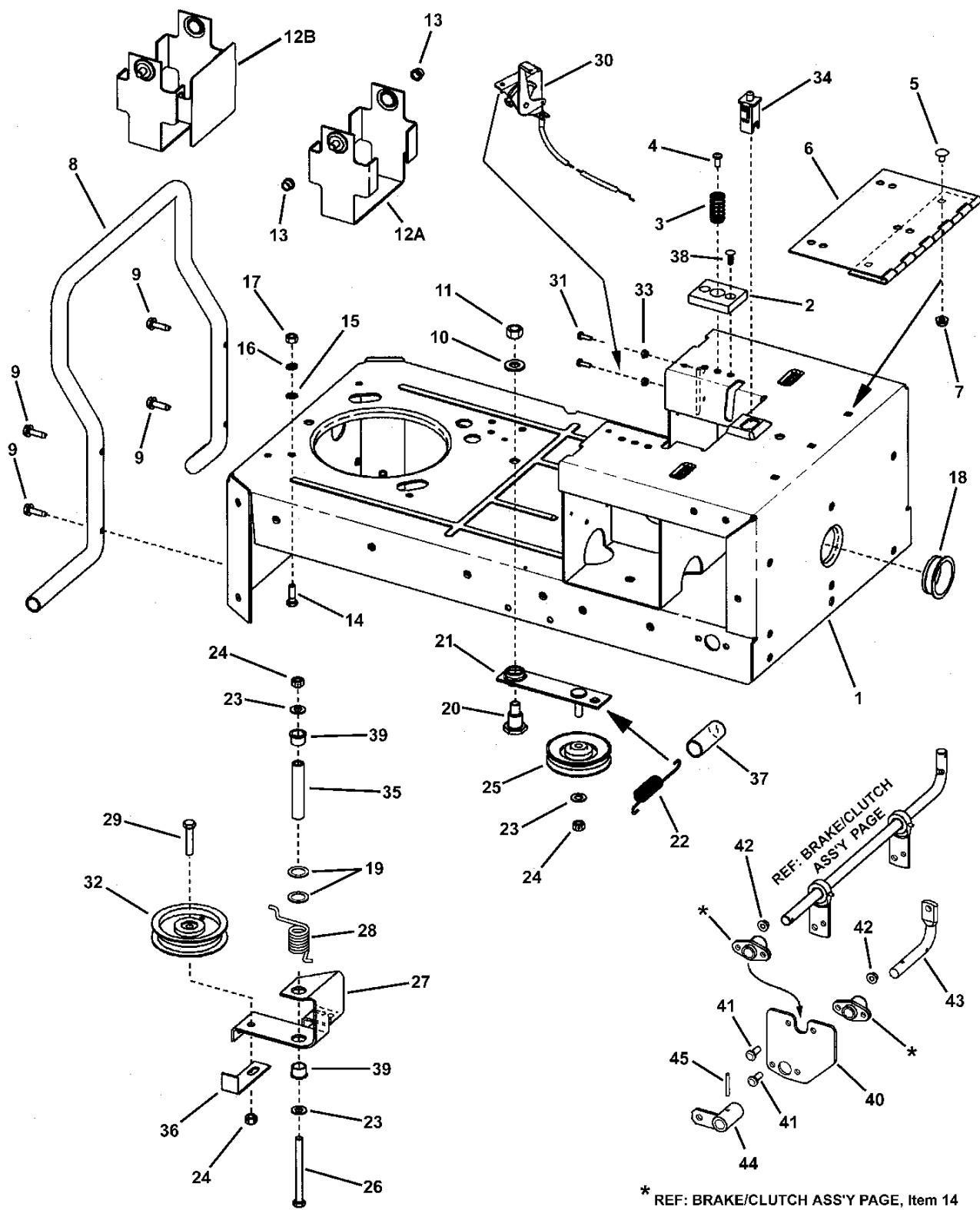


48" FRONT FRAME & COVER ASSEMBLY

Item	Part No	Qty	Description	Note
1	7059380	1	WELDMENT, Front Frame Series #3	
2	7075910	1	PLATE, Footrest Support	
3	7090595	6	BOLT, 5/16-18 x 3/4" Hex Flange Lock	
4	7091601	5	NUT, 5/16-18 Hex Flange Lock, GR 5	Was 91070
5	7028260	2	FASTENER, "U" Type	
6	7090324	2	SCREW, 3/8-16 x 1" Hex Washer Self-tap	
7	7090517	2	WASHER, 3/8" FLAT (wide)	
8	7035375	2	SPACER, Front Frame Pivot	
9	7035374	1	PLATE, Front Frame Slip	
10	7075841	1	FLOOR PAN, HOZ	
11	7075219	1	FOOTREST, HOZ	
12	7091890	4	WASHER, 1/4" Internal/External Lock	
13	7023341	2	KNOB (1/4-20 thread)	
14	7075885	1	MAT, Floor	
15	7041818	3	PAD, Floor Board Support	
16	7075993	1	DECAL, Warning, Read Manuals & Instructions	
17	7046426	1	DECAL, Deck Height	see decal page
18	7071916	1	DECAL, SNAPPER (14.56" long)	
19	7047099	2	BRACKET, Saddle- Front	
20	7091573	4	BOLT, 1/4-20 x 5/8" Short Neck Carriage, GR 5	Was 90551
21	7091584	6	NUT, 1/4-20 Hex Flange Lock	Was 90583
22	7059240	1	WELDMENT, Front Lift, 48	
23	7022717	1	ROD, Deck Support	
24	7017847	1	RING, .438 External Retaining	
25	7047060	1	WELDMENT, Rear Lift	
26	7074256	1	TIMING ROD (1/2-13 thread)	
27	7091598	1	COTTER PIN, 1/8 x 1"	Was 90041
28	7090667	4	WASHER, 1/2" Flat	
29	7046599	1	SWIVEL, .50 Thru Hole	
30	7091894	1	NUT, 1/2-13 Hex Center Lock, GR 5	
31	7091947	1	HAIR PIN, 1/8" Dia. x 1/2"	
32	7090250	2	WASHER, 1/2" SAE Flat	

Footnotes:

REAR FRAME ASSEMBLY

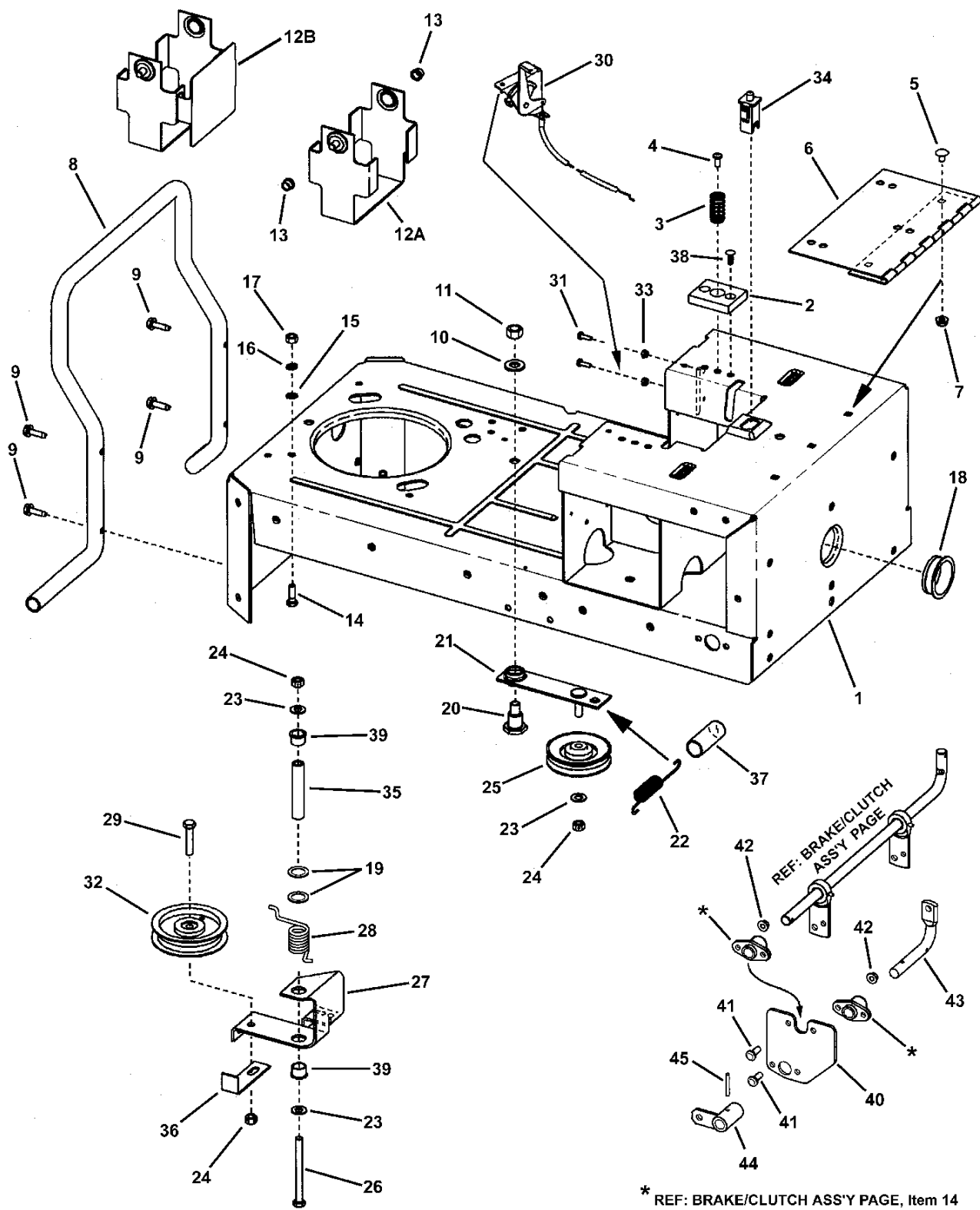


REAR FRAME ASSEMBLY

Item	Part No	Qty	Description	Note
1	7046991	1	WELDMENT, Rear Frame	
2	7035368	2	CUSHION, Seat Support	
3	7035369	2	SPRING, Seat Support	
4	7090999	2	SCREW, 1/4-20 x 5/8" Pan Head Self-Tap (Torx)	
5	7090731	2	BOLT, 5/16-18 x 1/2" Short Neck Carriage, GR 5	Was 90004
6	7075630	1	HINGE, Seat	
7	7091601	4	NUT, 5/16-18 Hex Flange Lock, GR 5	Was 91070
8	7033587	1	BUMPER, Rear	
9	7091506	4	SCREW, 5/16-18 x 1-1/2" Hex Washer Self-Tap	
10	7091587	1	WASHER, .531 x 1.062 x .121 SAE Flat	
11	7090975	1	NUT, 1/2-13 Hex Center Lock, GR 5 or B	
12A	7041793	1	WELDMENT, Battery Bracket	used in SZT18426BVE
12B	7058238	1	WELDMENT, Battery Bracket	used in SZT20486BVE
13	7013321	2	BUSHING, Tie Rod	
14	7090238	4	SCREW, 5/16-24 x 1" Hex Head Cap, GR 5	
15	7011791	4	RETAINER, 5/16" Bolt	
16	7091315	4	WASHER, .32 x .58 x .08 Split Lock	
17	7091297	4	NUT, 5/16-24 Hex, GR 5 or B	
18	7011033	2	GROMMET	
19	7010935	2	WASHER, 3/4" Flat	
20	7091730	1	BOLT, 1/2-13 Hex Shoulder	
21	7058728	1	WELDMENT, Idler Arm, Primary	
22	7058692	1	SPRING, Extension- 5" long	
23	7090122	3	WASHER, 3/8" SAE Flat	
24	7091585	2	NUT, 3/8-16 Hex Center Lock, GR 5 or B	
25	7024344	1	PULLEY, Idler, V 3.30 HA	
26	7079832	1	BOLT, 3/8-16 x 4" Hex Head Cap, GR 5	
27	7034937	1	BRACKET, Hydro Idler	
28	7073428	1	SPRING, Hydro Idler	
29	7091553	1	SCREW, 3/8-16 x 1-3/4" Hex Head Cap, GR 5	
30	7039485	1	CABLE, Hydro Release Valve	
31	7091240	2	SCREW, #10-32 x 5/8" Hex Washer Head Machine	
32	7018574	1	IDLER, 4.12" Outside Diameter, Flat	
33	7090376	2	NUT, #10-32 Hex Nyloc	
34	7022886	1	SWITCH, Seat (NO/NC) Snap-In	also shown on electronic components page
35	7075102	1	SLEEVE, Idler	
36	7034938	1	GUIDE, Belt	

Footnotes:

REAR FRAME ASSEMBLY



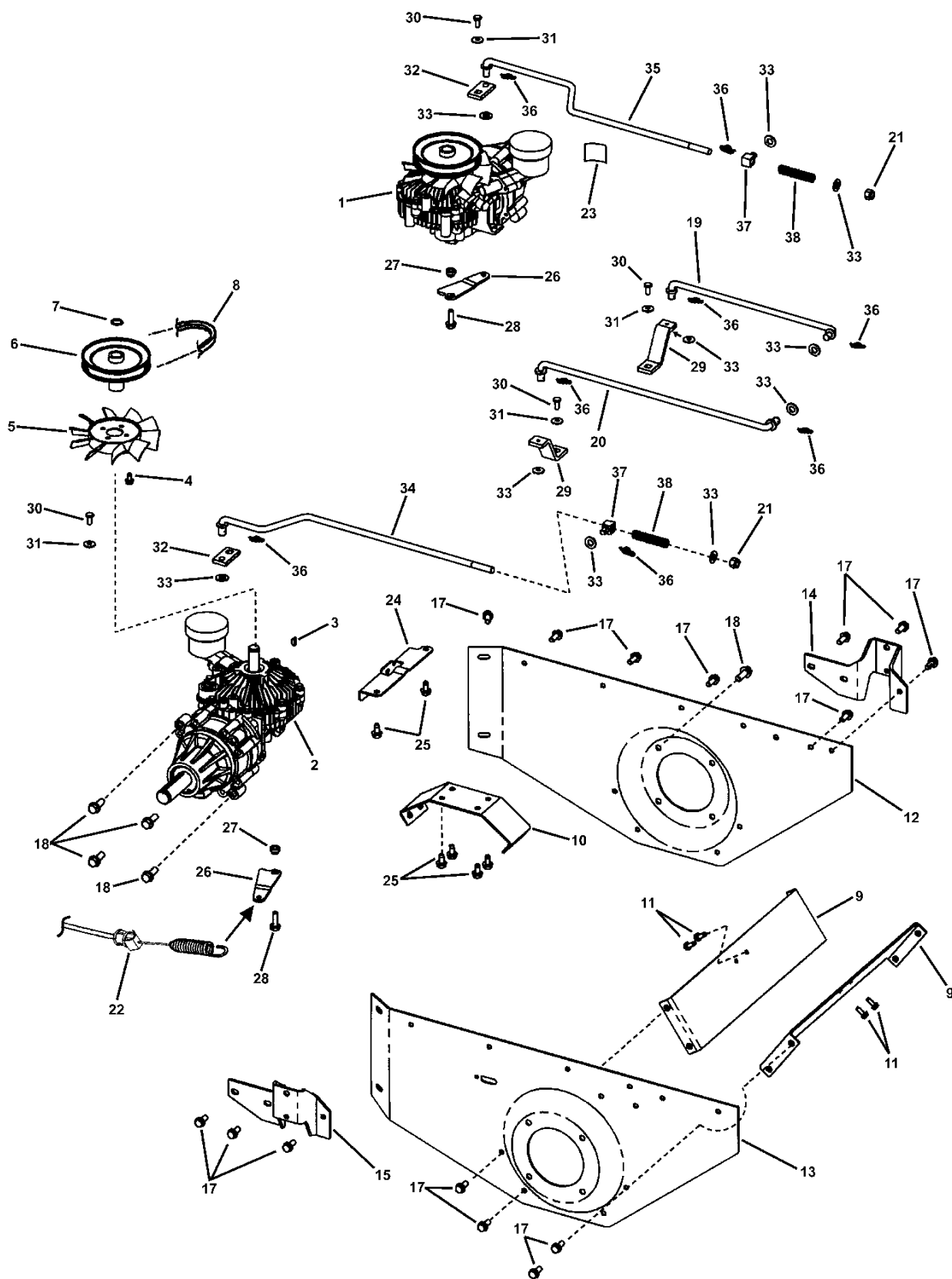
* REF: BRAKE/CLUTCH ASS'Y PAGE, Item 14

REAR FRAME ASSEMBLY

Item	Part No	Qty	Description	Note
37	7058691	1	COVER, Spring	
38	7091272	4	FASTENER, Ratchet	
39	7043858	2	BUSHING, Flange, .64 x .75 x .5	
40	7072878	2	PLATE, Pivot	
41	7091000	8	SCREW, 5/16-18 x 7/8" Pan Head Self-Tap (Torx)	
42	7091601	8	NUT, 5/16-18 Hex Flange Lock, GR 5	<i>Was 91070</i>
43	7072907	2	WIREFORM, Control	
44	7042485	2	WELDMENT, Bellcrank	
45	7090841	1	PIN, 3/16 x 1-1/2" Roll	

Footnotes:

FENDER & TRANSAXLE ASSEMBLY



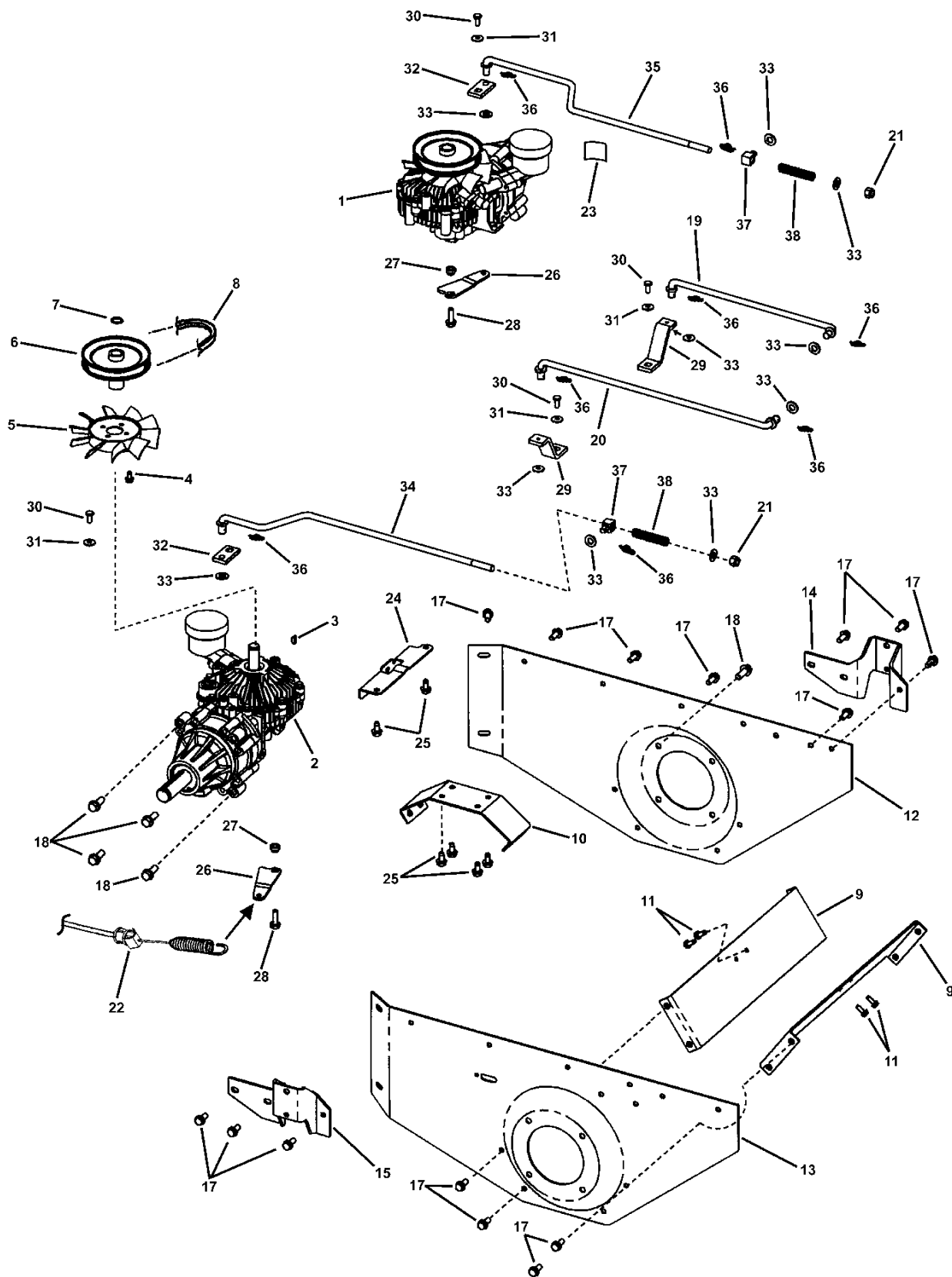
FENDER & TRANSAXLE ASSEMBLY

Item	Part No	Qty	Description	Note
1	7029128	1	TRANSAXLE, Hydro	<i>Eaton Model X778-005</i>
2	7029129	1	TRANSAXLE, Hydro w/o Manifold R.H.	<i>Eaton Model X778-011</i>
3	7015894	2	KEY, #605 Woodruff	
4	7091122	8	SCREW, 1/4-20 x 1/2" Hex Washer Self-Tap	<i>Was 90539</i>
5	7035337	2	FAN, 6" O.D., 10 Blade	
6	7035336	2	PULLEY, Hydro Input	
7	7091771	2	RING, RR3100-66 External Retaining	
8	7042773	1	V-BELT, HA Sect. 42.5" effective length	<i>Hydro Drive</i>
9	7034915	2	BRACKET, Support, Fender	
10	7034916	1	BRACKET, Support, Hydro	
11	7091819	4	SCREW, 1/4-20 x 5/8" Hex Washer Self-Tap	<i>Was 90362</i>
12	7034909	1	FENDER, Rear Frame, Left Hand	
13	7034908	1	FENDER, Rear Frame, Right Hand	
14	7034917	1	BRACKET, Deck Support, Left Rear	<i>used in SZT18426BVE</i>
15	7035424	1	BRACKET, Deck Support, Right Rear	<i>used in SZT18426BVE</i>
17	7091541	26	SCREW, 5/16-18 x 3/4" Hex Washer Self-Tap	<i>Was 90368</i>
18	7090324	8	SCREW, 3/8-16 x 1" Hex Washer Self-tap	
19	7073385	1	TRANSMISSION ROD, RH, Twin Stick	<i>return to neutral</i>
20	7073419	1	TRANSMISSION ROD, LH, Twin Stick	<i>return to neutral</i>
21	7091299	2	NUT, 3/8-16 Hex Nyloc	
22	7039485	1	CABLE, Hydro Release Valve	<i>Rear Frame Asy pg item 30</i>
23	7044767	2	DECAL, Hydro Reservoir	<i>see decal page</i>
24	7039484	1	BRACKET, Cable, Hydro Release Valve	
25	7090361	2	SCREW, 5/16-18 x 5/8" Hex Washer Self-Tap	
26	7039483	2	BRACKET, Actuator, Hydro Release Valve	
27	7012114	2	BUSHING, Differential Link, Powdered Metal	
28	7091841	2	SCREW, 5/16-18 x 1" Hex Washer Self-Tap, GR 5	
29	7073182	2	ARM, Direction Control- Hydro Transaxle	
30	7091165	4	BOLT, 1/4-28 x 5/8" w/Nyloc Patch, GR 8	
31	7090746	4	WASHER, 1/4" Belleville	
32	7034914	2	ARM, Brake	
33	7090122	6	WASHER, 3/8" SAE Flat	
34	7073420	1	BRAKE ROD, RH (3/8-16 thread)	
35	7073046	1	BRAKE ROD, L. H. (3/8-16 thread)	
36	7091594	4	COTTER-PIN, 1/16" x 1.42" Self-Locking	<i>Was 24874</i>
37	7024586	2	SWIVEL, Brake Link- PM	

Footnotes:

NOTE: Use Mobil 1 DTE 26 oil for hydro transaxle.

FENDER & TRANSAXLE ASSEMBLY



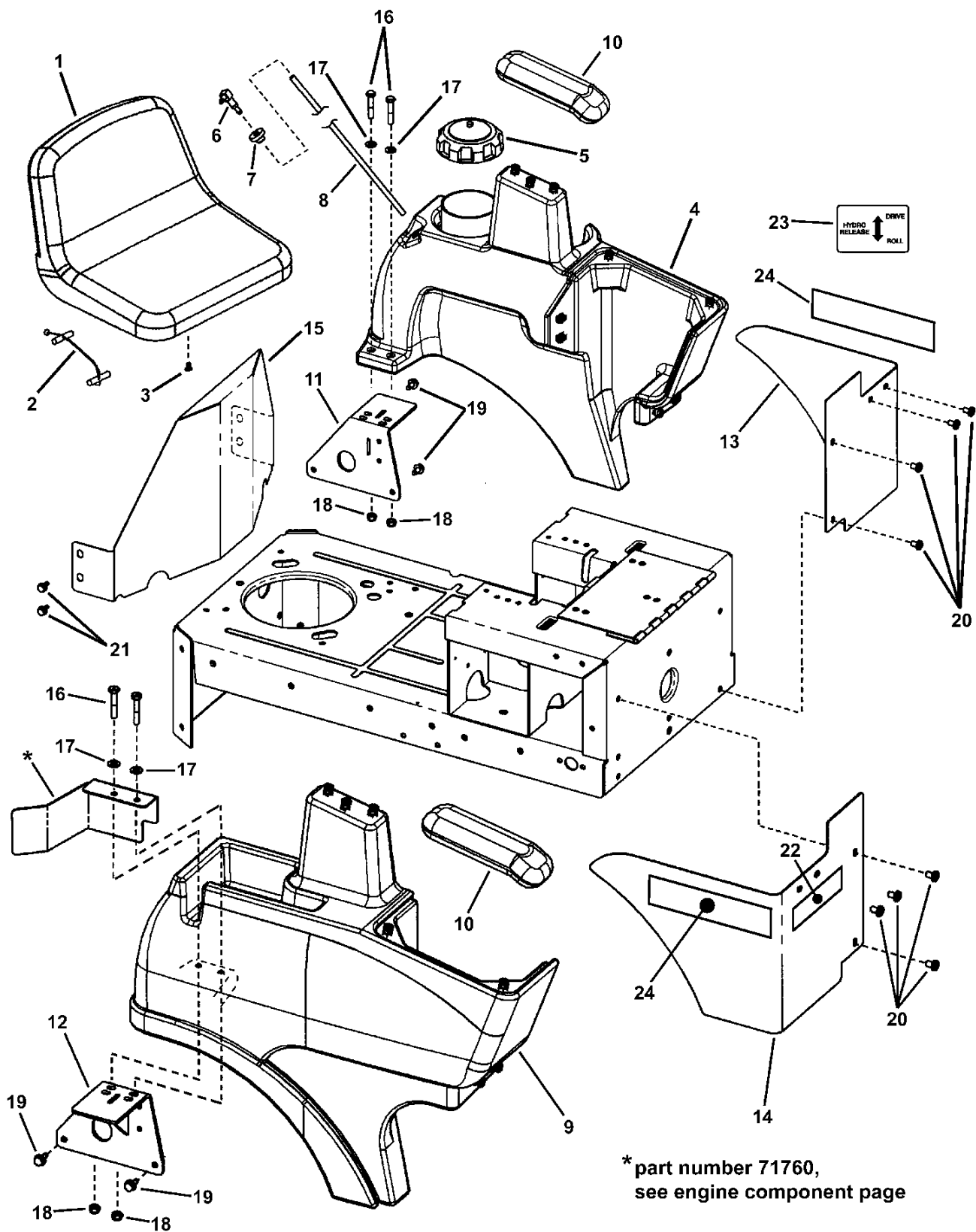
FENDER & TRANSAXLE ASSEMBLY

Item	Part No	Qty	Description	Note
38	7074511	2	SPRING, Brake Compression	

Footnotes:

NOTE: Use Mobil 1 DTE 26 oil for hydro transaxle.

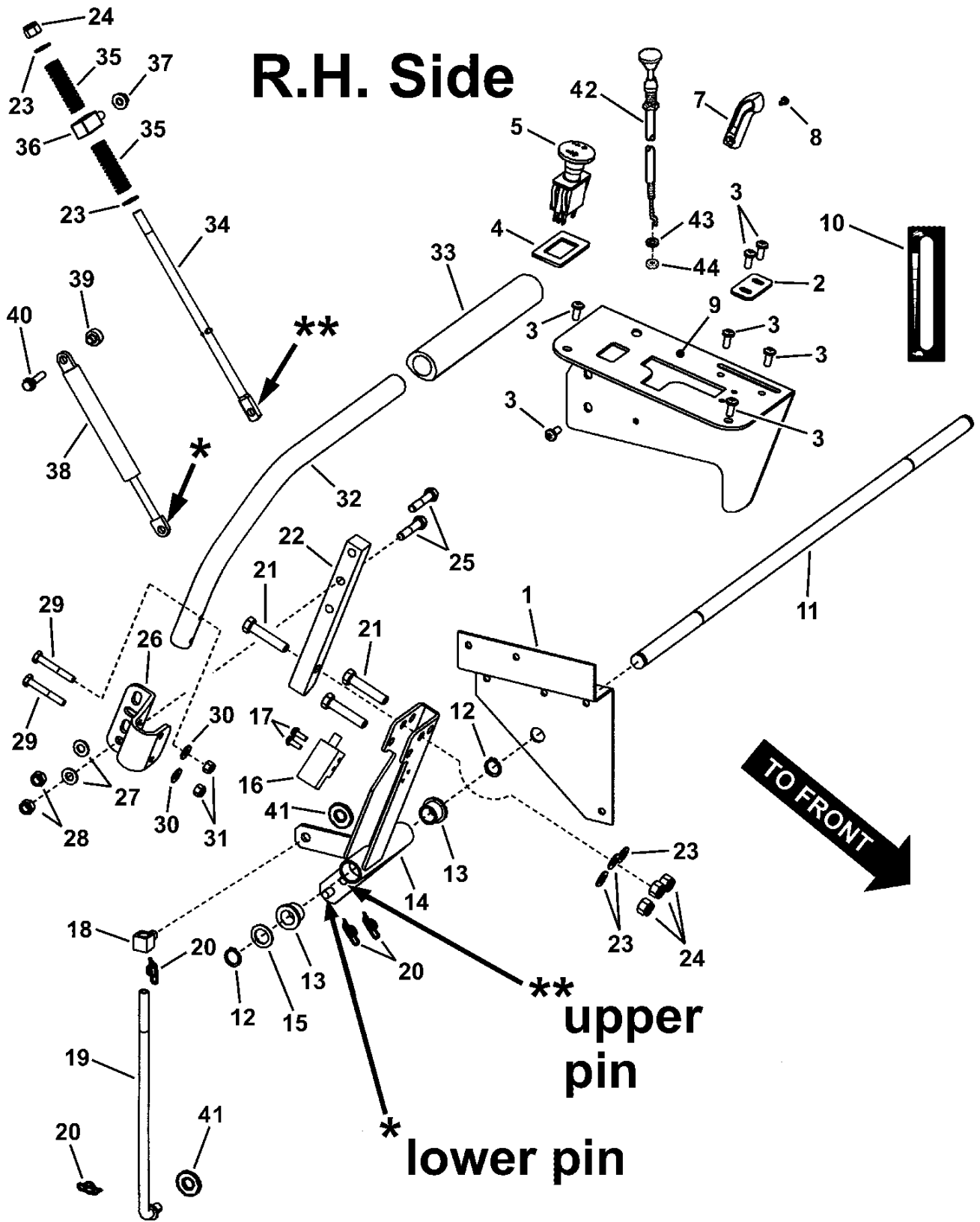
OPERATOR SEAT & TANK



OPERATOR SEAT & TANK

Item	Part No	Qty	Description	Note
1	7044897	1	SEAT, Milsco High Back	
2	7046561	1	TETHER, Seat	
3	7090999	6	SCREW, 1/4-20 x 5/8" Pan Head Self-Tap (Torx)	
4	7058530	1	ASSEMBLY, Fuel Tank/L.H.Fender	<i>includes fuel cap (75748), grommet (12337), fitting (74835) & tube (75708)</i>
5	7075748	1	GAS CAP w/Screw Vent	
6	7074835	1	FITTING, Dapco	<i>Dapco part number #11492</i>
7	7012337	1	GROMMET	
8	7075708	1	DIP TUBE	
9	7058531	1	ASSEMBLY, R.H. Fender	
10	7075617	2	ARM REST, HOZ	
11	7058511	1	WELDMENT, Fuel Tank Support	
12	7058513	1	WELDMENT, Fender Support	
13	7075609	1	FENDER, L.H. Lower	
14	7075610	1	FENDER, R.H. Lower	
15	7075628	1	HEAT SHIELD, Engine	
16	7091908	4	SCREW, 5/16-18 x 1-3/4" Hex Head Cap, GR 5	
17	7090188	4	WASHER, .34 x .69 x .08 Flat	
18	7091298	4	NUT, 5/16-18 Hex Nyloc	
19	7090361	4	SCREW, 5/16-18 x 5/8" Hex Washer Self-Tap	
20	7091542	8	SCREW, 5/16-18 x 1/2" Pan Head Self-Tap (Torx)	
21	7090858	4	SCREW, 5/16-18 x 1/2" Hex Washer Self-Tap	
22	7034817	1	DECAL, SCRAMBLER	<i>see decal page</i>
23	7071683	1	DECAL, Hydro Release	<i>see decal page</i>
24	7075760	2	DECAL, SNAPPER	<i>see decal page</i>

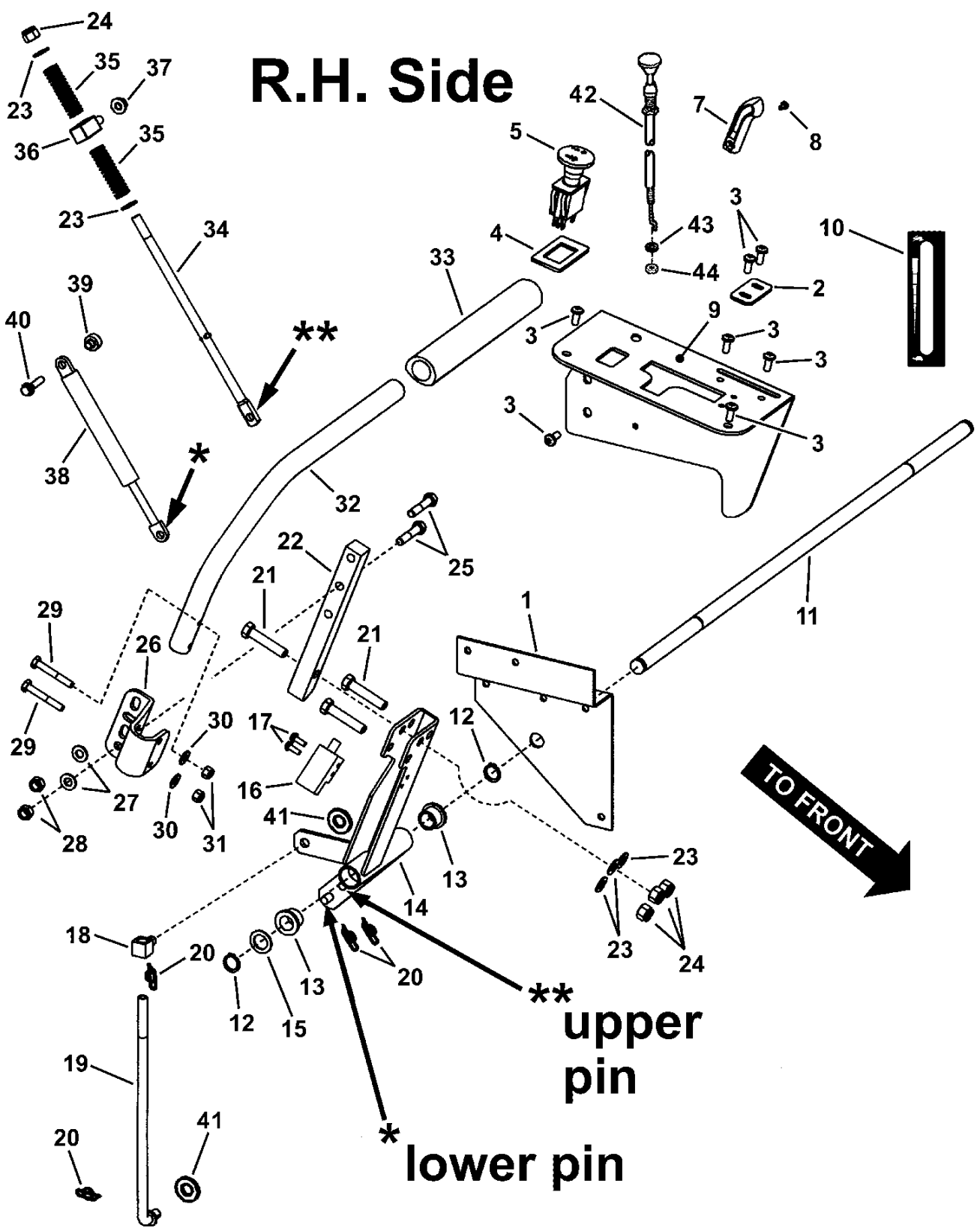
Footnotes:



TWIN STICK CONTROL, R.H.

Item	Part No	Qty	Description	Note
1	7074317	1	BRACKET, R.H. Tank Support	
2	7074931	1	BRACKET, Speed Adjustment	
3	7090999	7	SCREW, 1/4-20 x 5/8" Pan Head Self-Tap (Torx)	
4	7035661	1	SPACER, PTO Switch	<i>also shown on electronic components page</i>
5	7075884	1	SWITCH, PTO E.C. (Delta Part No. 6201-219)	<i>also shown on electronic components page</i>
6	7072977	1	CONTROL, Throttle/Choke, B&S (60" long)	<i>not shown; used on SZT18426BVE</i>
--	7075449	1	CONTROL, Throttle B&S 16HP Single Intek (48" long)	<i>not shown; used on SZT20486BVE</i>
7	7023655	1	LEVER, Throttle Control	
8	7071921	1	RIVET, Plastic Snap	
9	7073425	1	BRACKET, R.H. Console- Twin Stick	<i>used in SZT18426BVE</i>
--	7078024	1	BRACKET, R.H. Console, 48 SZT	<i>used in SZT20486BVE</i>
10	7078049	1	DECAL, Throttle/Choke Control	<i>also shown on Decal page</i>
11	7072851	1	SHAFT, Control, Twin Stick	
12	7010739	2	RING, 5/8" External Reatining	
13	7013874	2	BUSHING, 5/8 x 5/8" Bronze	
14	7041566	1	WELDMENT, Twin Stick, RH	
15	7091628	1	WASHER, .64 x .99 x .05 Flat	
16	7023355	1	SWITCH, Park Brake (NC/NO)	<i>also shown on electronic components page</i>
17	7090913	2	SCREW, #10-24 x 1/2" Hex Washer Self-Tap (Torx)	
18	7024607	1	SWIVEL, 3/8-16 Internal Thread	
19	7073421	1	CONTROL ROD (3/8-16 thread)	
20	7091593	4	PIN, 3/8 Self Locking Cotter	
21	7091553	3	SCREW, 3/8-16 x 1-3/4" Hex Head Cap, GR 5	
22	7072686	1	BLOCK, Twin Stick Control	
23	7012316	5	WASHER, 3/8" Flat	
24	7091299	4	NUT, 3/8-16 Hex Nyloc	
25	7091540	2	SCREW, 5/16-18 x 1-1/2" Hex Head Cap, GR 5	
26	7074628	1	BRACKET, Handle Adjustment	
27	7090188	2	WASHER, .34 x .69 x .08 Flat	
28	7091298	2	NUT, 5/16-18 Hex Nyloc	
29	7091813	2	SCREW, 1/4-20 x 1-3/4" Hex Head Cap, GR 5	
30	7091294	2	WASHER, .28 x .63 x .06 Flat, GR 5	
31	7091603	2	NUT, 1/4-20 Hex Nyloc	
32	7072831	1	HANDLE, Twin Stick	
33	7072212	1	GRIP, Twin Stick	
34	7074899	1	RETURN ROD (3/8-16 thread)	
35	7072450	2	SPRING, Neutral Return	

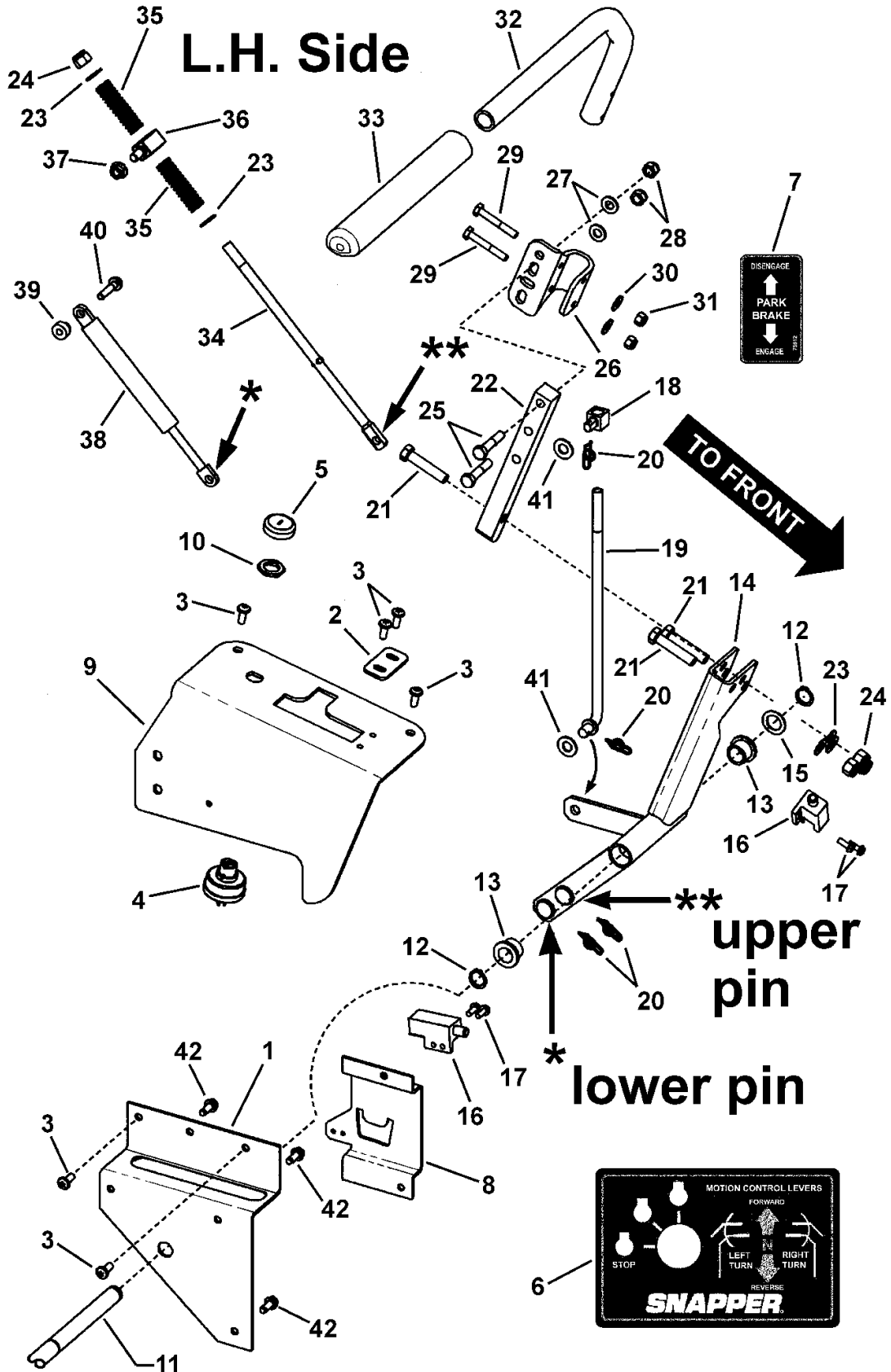
Footnotes:



TWIN STICK CONTROL, R.H.

Item	Part No	Qty	Description	Note
36	7071585	1	SWIVEL, Shoulder (5/16-18 thread)	
37	7091601	1	NUT, 5/16-18 Hex Flange Lock, GR 5	<i>Was 91070</i>
38	7075031	1	DAMPENER, Hydraulic	
39	7075026	1	SPACER, Twin Stick	
40	7090872	1	BOLT, 1/4-20 x 1-1/8" Hex Flange Lock, GR 5	
41	7090122	2	WASHER, 3/8" SAE Flat	
42	7063252	1	CABLE, Choke (28" long)	<i>used in SZT20486BVE</i>
43	7090390	1	WASHER, 3/8" Internal Tooth Lock	<i>used in SZT20486BVE</i>
44	7091630	1	NUT, 3/8-24 Hex, GR 8	<i>Was 90155 (used in SZT20486BVE)</i>

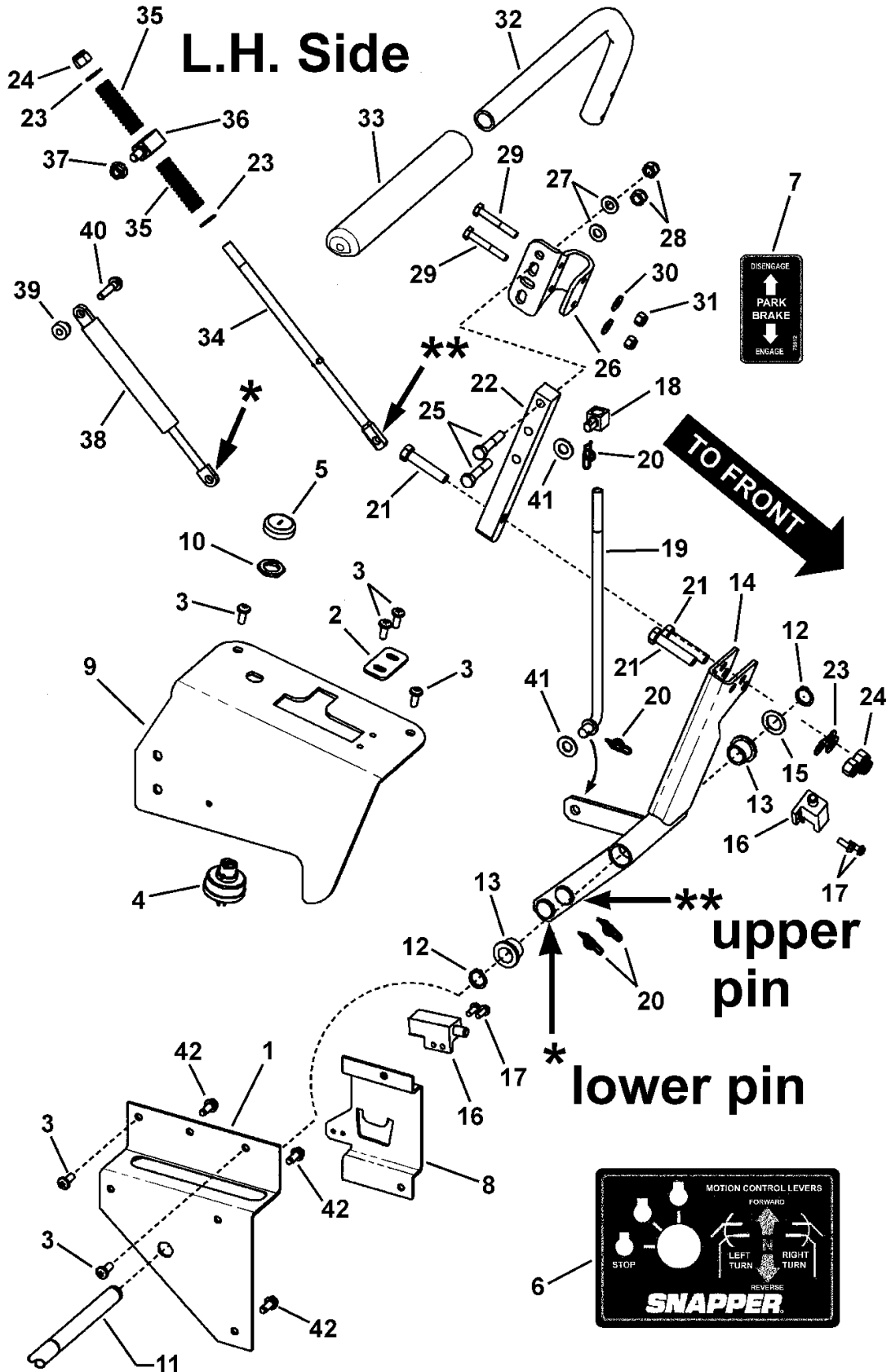
Footnotes:



TWIN STICK CONTROL, L.H.

Item	Part No	Qty	Description	Note
1	7072866	1	BRACKET, L.H. Tank Support	
2	7074931	1	BRACKET, Speed Adjustment	
3	7090999	6	SCREW, 1/4-20 x 5/8" Pan Head Self-Tap (Torx)	
4	7026343	1	SWITCH, Ignition (After-fire Solenoid)	<i>also shown on electronic components page</i>
5	7023506	1	BEZEL	<i>also shown on electronic components page</i>
6	7072952	1	DECAL, Ignition Switch	<i>also shown on Decal page</i>
7	7075812	1	DECAL, Park Brake	<i>also shown on Decal page</i>
8	7072941	1	BRACKET, Brake/Clutch Detent, Twin Stick	
9	7072670	1	BRACKET, L.H. Console- Twin Stick	
10	7012685	1	NUT, 5/8-32 Hex	
11	7072851	--	SHAFT, Control, Twin Stick	<i>Ref: Twin Stick Control, R.H.page</i>
12	7010739	2	RING, 5/8" External Reating	
13	7013874	2	BUSHING, 5/8 x 5/8" Bronze	
14	7041539	1	WELDMENT, Twin Stick, LH	
15	7091628	1	WASHER, .64 x .99 x .05 Flat	
16	7023355	2	SWITCH, Park Brake (NC/NO)	<i>also shown on electronic components page</i>
17	7090913	4	SCREW, #10-24 x 1/2" Hex Washer Self-Tap (Torx)	
18	7024607	1	SWIVEL, 3/8-16 Internal Thread	
19	7073421	1	CONTROL ROD (3/8-16 thread)	
20	7091593	4	PIN, 3/8 Self Locking Cotter	
21	7091553	3	SCREW, 3/8-16 x 1-3/4" Hex Head Cap, GR 5	
22	7072686	1	BLOCK, Twin Stick Control	
23	7012316	5	WASHER, 3/8" Flat	
24	7091299	4	NUT, 3/8-16 Hex Nyloc	
25	7091540	2	SCREW, 5/16-18 x 1-1/2" Hex Head Cap, GR 5	
26	7074628	1	BRACKET, Handle Adjustment	
27	7090188	2	WASHER, .34 x .69 x .08 Flat	
28	7091298	2	NUT, 5/16-18 Hex Nyloc	
29	7091813	2	SCREW, 1/4-20 x 1-3/4" Hex Head Cap, GR 5	
30	7091294	2	WASHER, .28 x .63 x .06 Flat, GR 5	
31	7091603	2	NUT, 1/4-20 Hex Nyloc	
32	7072831	1	HANDLE, Twin Stick	
33	77212	1	GRIP, Twin Stick	
34	7074899	1	RETURN ROD (3/8-16 thread)	
35	7072450	2	SPRING, Neutral Return	
36	7071585	1	SWIVEL, Shoulder (5/16-18 thread)	
37	7091601	1	NUT, 5/16-18 Hex Flange Lock, GR 5	<i>Was 91070</i>

Footnotes:

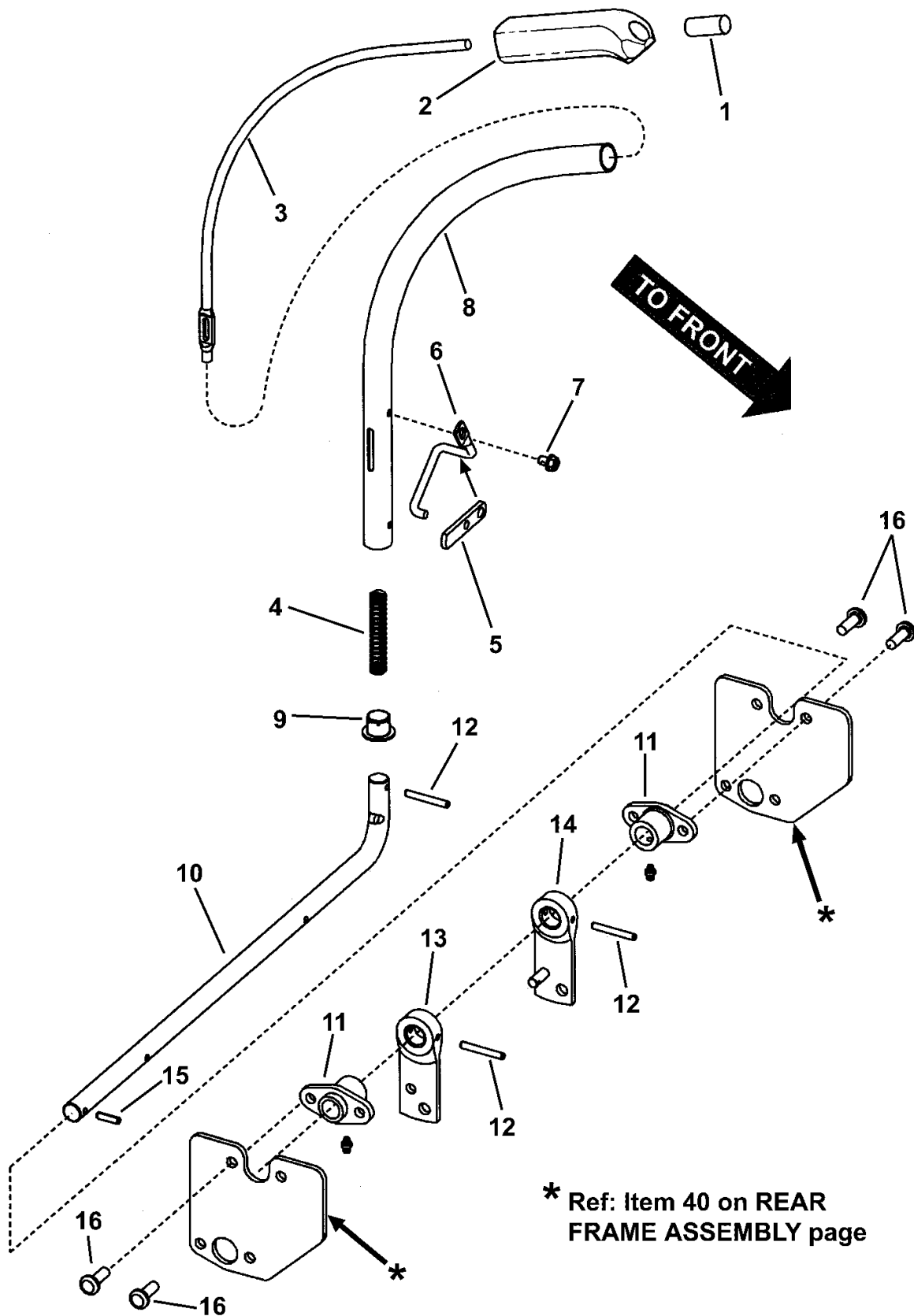


TWIN STICK CONTROL, L.H.

Item	Part No	Qty	Description	Note
38	7075031	1	DAMPENER, Hydraulic	
39	7075026	1	SPACER, Twin Stick	
40	7090872	1	BOLT, 1/4-20 x 1-1/8" Hex Flange Lock, GR 5	
41	7090122	2	WASHER, 3/8" SAE Flat	
42	7091819	3	SCREW, 1/4-20 x 5/8" Hex Washer Self-Tap	Was 90362

Footnotes:

BRAKE/CLUTCH LEVER ASSEMBLY

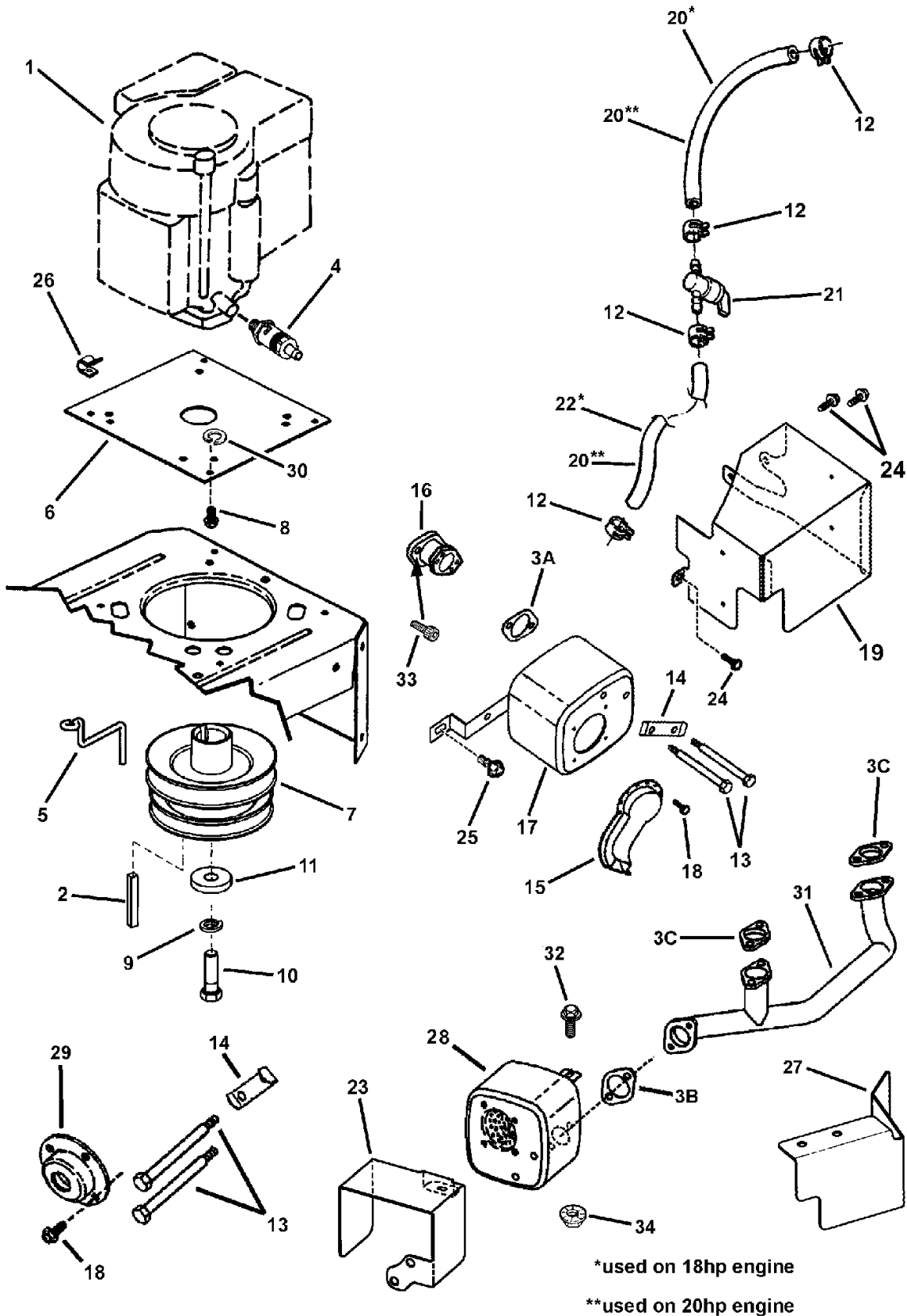


BRAKE/CLUTCH LEVER ASSEMBLY

Item	Part No	Qty	Description	Note
1	7075914	1	BUTTON, Park Brake	
2	7035945	1	GRIP, Brake/Clutch Handle	
3	7073452	1	ROD, Park Brake	<i>10" arc radius</i>
4	7035946	1	SPRING, Clutch/Brake Release	
5	7035485	1	ARM, Brake/Clutch Lever	
6	7035484	1	PIVOT, Brake/Clutch Lever	
7	7091084	2	SCREW, 1/4-20 x 3/8" Hex Washer Self-Tap	<i>Was 91293</i>
8	7072871	1	TUBE, Park Brake	
9	7010694	1	BUSHING, Nylon	
10	7073150	1	ROD, Brake Actuation	
11	7052431	4	PIVOT, Foot Shaft Assy (weldment 23170 with grease fitting, 13864)	
12	7090841	3	ROLL PIN, 3/16 x 1-1/2"	
13	7029208	1	ARM, Brake/Clutch	
14	7042614	1	WELDMENT, Brake/Clutch Arm	
15	7090844	1	ROLL PIN, 3/16 x 3/4"	
16	7091000	4	SCREW, 5/16-18 x 7/8" Pan Head Self-Tap (Torx)	

Footnotes:

ENGINE COMPONENTS



ENGINE COMPONENTS

Item	Part No	Qty	Description	Note
1	--	1	*ENGINE, 18HP B&S Intek, 3400 RPM	<i>Mod 31H777, Type 0117, Trim E1 (**)</i>
--	--	1	*ENGINE, 20HP ELS B&S 3500 RPM	<i>Mod 40G777, Type 0112, Trim E1 (***)</i>
2	7010210	1	KEY, 1/4" Square x 2"	
3A	7015352	2	** GASKET, Exhaust	<i>1.25" I.D.hole; mat'l graphite</i>
3B	7014509	1	*** GASKET, Exhaust	<i>1.18" I.D. hole; mat'l graphite</i>
3C	7063283	2	*** GASKET, 20 HP Intec	<i>1.00" I.D. Hole</i>
4	7027972	1	ASSEMBLY, Oil Valve	
5	7035362	1	GUIDE, Engine Belt	
6	7036389	1	PLATE, Engine, HOZ	
7	7040706	1	PULLEY, Engine	
8	7090324	4	SCREW, 3/8-16 x 1" Hex Washer Self-tap	<i>engine mounting bolts</i>
9	7091301	1	WASHER, 7/16 Split Lock	
10	7091763	1	SCREW, 7/16-20 x 1-1/2" Hex Head Cap, GR 5	
11	7091807	1	WASHER, .468 x 1.38 x .25 Flat (special)	
12	7029900	4	CLAMP, Fuel Line	<i>Was 12222</i>
13	7024161	2	BOLT, 5/16-18 x 4" Shoulder	<i>B&S #93927</i>
14	7024566	1	SCREW LOCK	
15	7041537	1	DEFLECTOR, Muffler	<i>SZT18426BVE</i>
16	7071756	1	** ADAPTER, Muffler	<i>Briggs p/n 695766</i>
17	7074826	1	** MUFFLER, 14.5 HP B&S Engine	<i>Nelson p/n 25482D</i>
18	7091581	3	SCREW, #8-18 x 1/2" Hex Head Sheet Metal	
19	7041340	1	** WELDMENT, Heat Shield- B&S	
20	7029982	1	HOSE, Fuel, 1/4 I.D. x 14" long	<i>qty. 1 on 18HP; qty. 2 on 20HP</i>
21	7016325	1	VALVE, Fuel	
22	7012638	1	** HOSE, Fuel, 12-1/2" long	<i>Was 12912</i>
23	7071765	1	*** HEAT SHIELD, Muffler, V-Twin	
24	7091122	3	SCREW, 1/4-20 x 1/2" Hex Washer Self-Tap	<i>Was 90539</i>
25	7090606	1	BOLT, 5/16-18 x 5/8" Hex Flange Lock, GR 5	<i>Was 91510</i>
26	7015861	1	HARNESS CLIP (vinyl covered)	
27	7071760	1	** HEAT SHIELD, Fender	
28	7024241	1	*** MUFFLER, B&S 16HP	<i>Briggs p/n 394151</i>
29	7026778	1	DEFLECTOR, Direct Out	<i>used with muffler 24241</i>
30	7092025	4	*** WASHER, M8 Split Lock	
31	7040000	1	*** MANIFOLD, 20 HP Intec	
32	7091579	1	** SCREW, 1/4-20 x 1/2" Hex Flange Lock, GR 5	
33	7091738	2	SCREW, 5/16-18 x 3/4" Socket Head Cap, GR 8	

Footnotes:

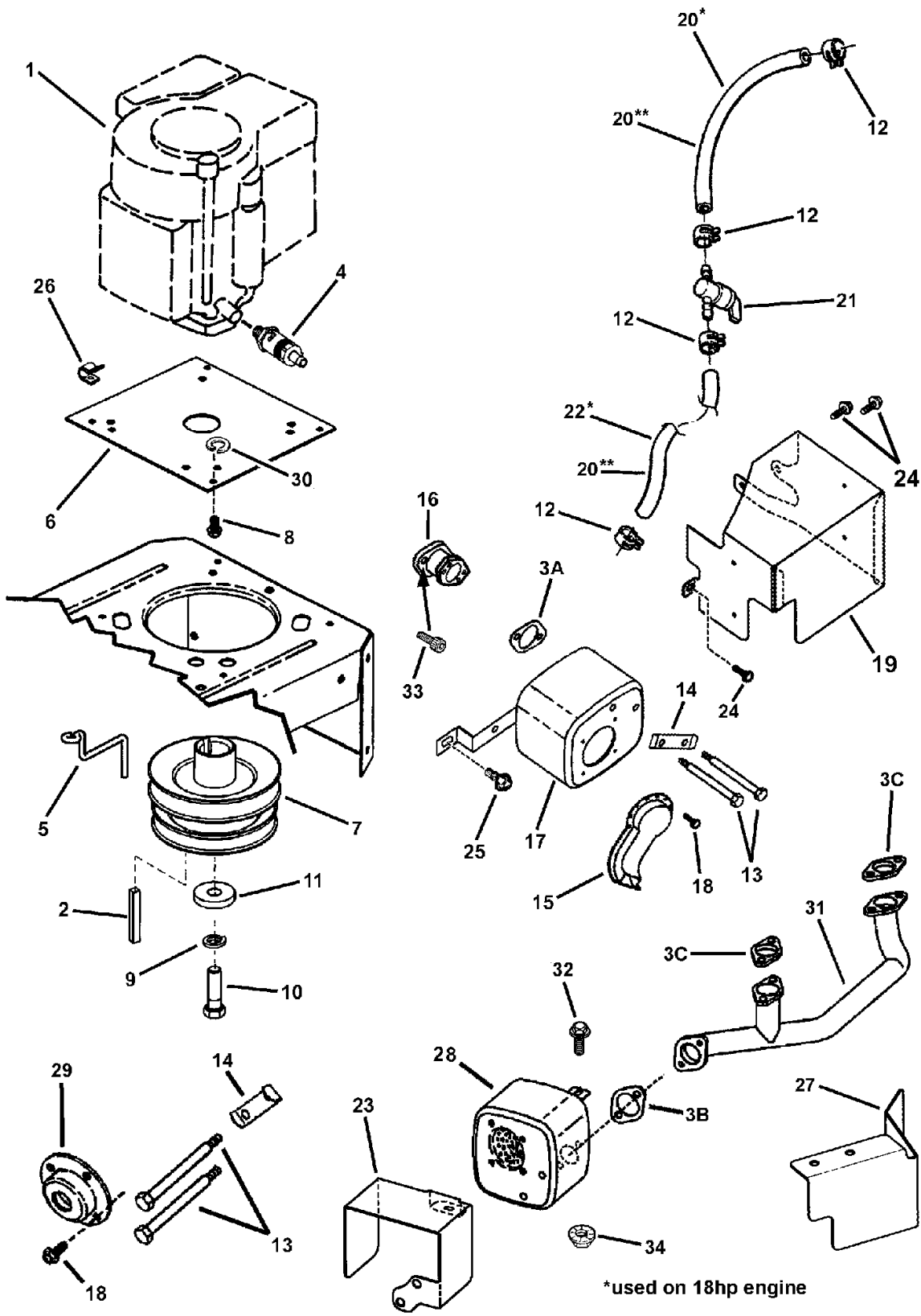
*NOTE 1: Purchase engine components directly from engine manufacturer dealer.

**NOTE 2: used on SZT18426BVE

***NOTE: used on SZT20486BVE

*NOTE 1: Purchase engine components directly from engine manufacturer dealer.

ENGINE COMPONENTS



*used on 18hp engine

**used on 20hp engine

ENGINE COMPONENTS

Item	Part No	Qty	Description	Note
34	7091584	3	NUT, 1/4-20 Hex Flange Lock	

Footnotes:

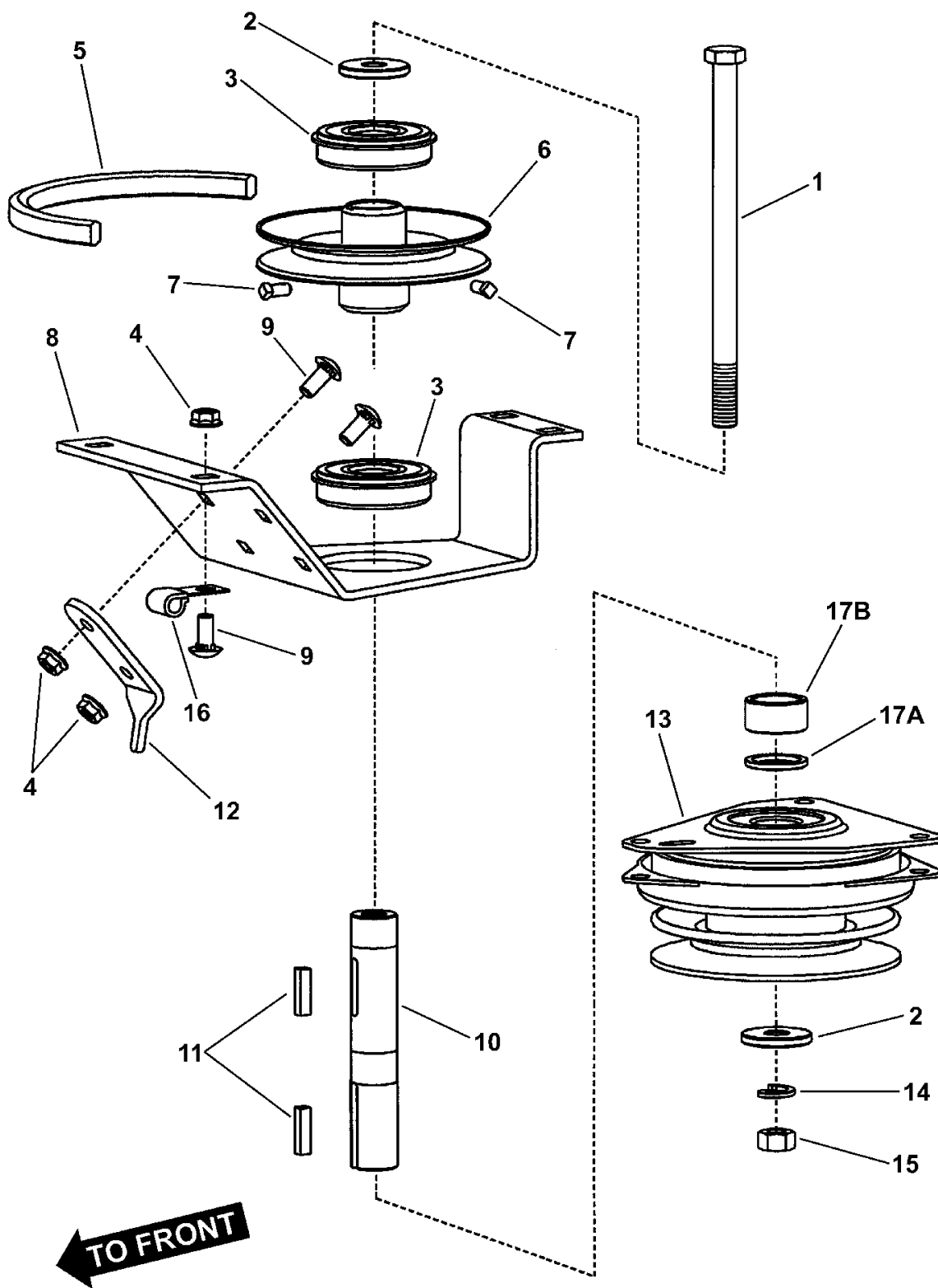
*NOTE 1: Purchase engine components directly from engine manufacturer dealer.

**NOTE 2: used on SZT18426BVE

***NOTE: used on SZT20486BVE

*NOTE 1: Purchase engine components directly from engine manufacturer dealer.

CLUTCH ASSEMBLY

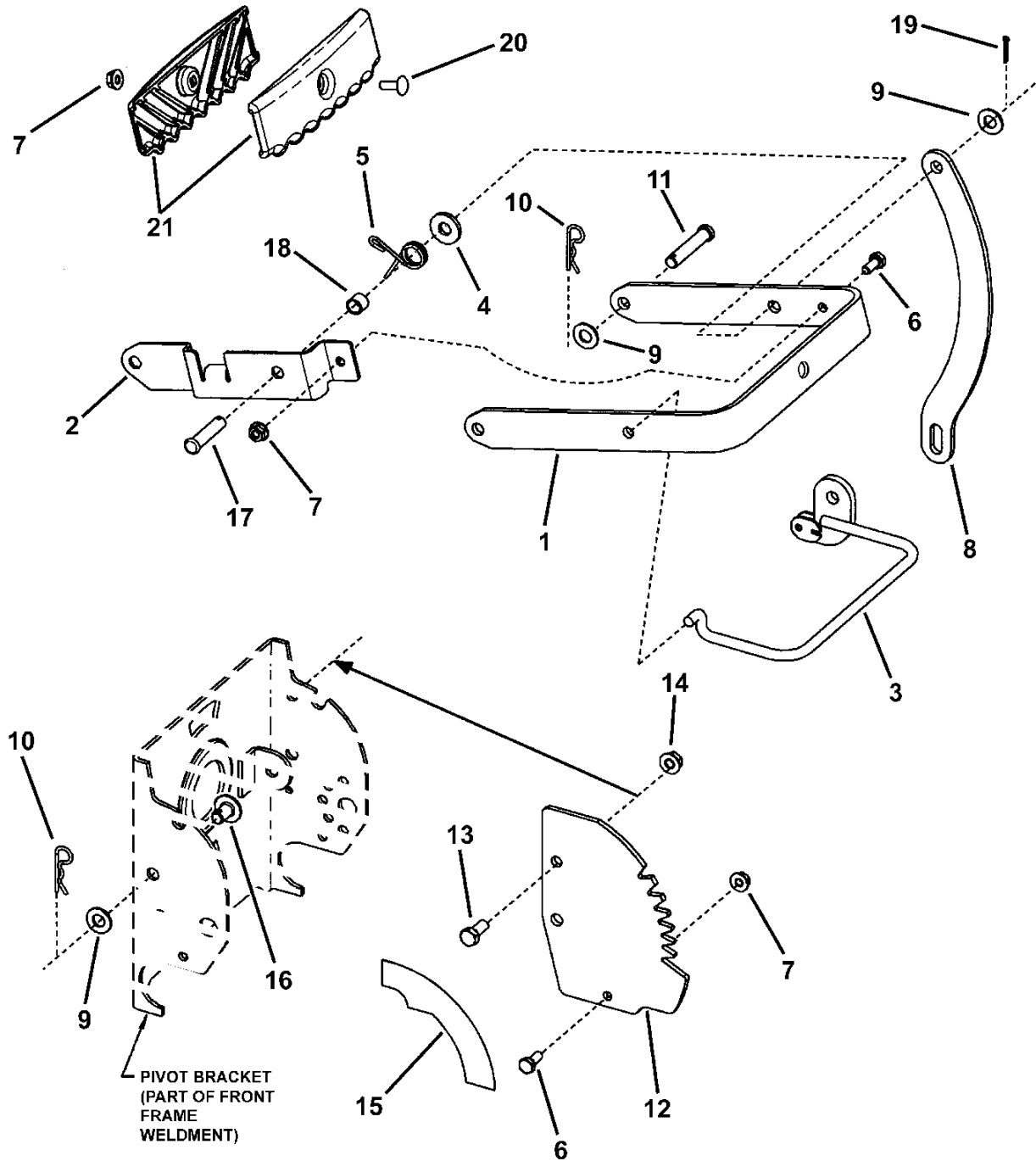


CLUTCH ASSEMBLY

Item	Part No	Qty	Description	Note
1	7091735	1	BOLT, 7/16-20 x 8" Hex Head, GR 5	
2	7029138	2	WASHER, .468 I.D. x 1.50 O.D. x .188 Flat	
3	7029136	2	BEARING, 6305 w/Snap Ring	
4	7091601	6	NUT, 5/16-18 Hex Flange Lock, GR5	<i>Was 91070</i>
5	7029117	1	V-BELT, 5L Sect. Cog, 50.170" effective length	<i>used on 42" Deck models; Primary Drive (Dayco #46-0364)</i>
--	7046997	1	V-BELT, 5L Sect. Cog, 49.44" effective length	<i>used on 48" Deck models; Primary Drive</i>
6	7029107	1	PULLEY, Jackshaft	<i>used in SZT18426BVE</i>
--	7046892	1	PULLEY, Jackshaft	<i>used in SZT20486BVE</i>
7	7091829	2	SCREW, 1/4-20 x 1/2" Set w/Patch	
8	7063269	1	SUPPORT, Jackshaft- TG 2000	
9	7091508	6	BOLT, 5/16-18 x 3/4" Short Neck Carriage, GR 5	
10	7029135	1	JACKSHAFT, 5.525" long	
11	7013250	1	KEY 1/4" Square x 1"	
12	7063248	1	BRACKET, Anti-Rotation- TG-2000	
13	7063246	1	CLUTCH, Warner TG-2000 (12V)	
14	7091301	1	WASHER, 7/16" Split Lock	
15	7090460	1	NUT, 7/16-20 Hex, GR 5 or B	
16	7012652	1	WIRE CLIP 7/16", Vinyl Covered	
17A	7029137	1	SPACER, Jackshaft	<i>used in SZT18426BVE</i>
17B	7063247	1	SPACER, Jackshaft, Warner Clutch	<i>used in SZT20486BVE</i>

Footnotes:

42" DECK LIFT HANDLE ASSEMBLY

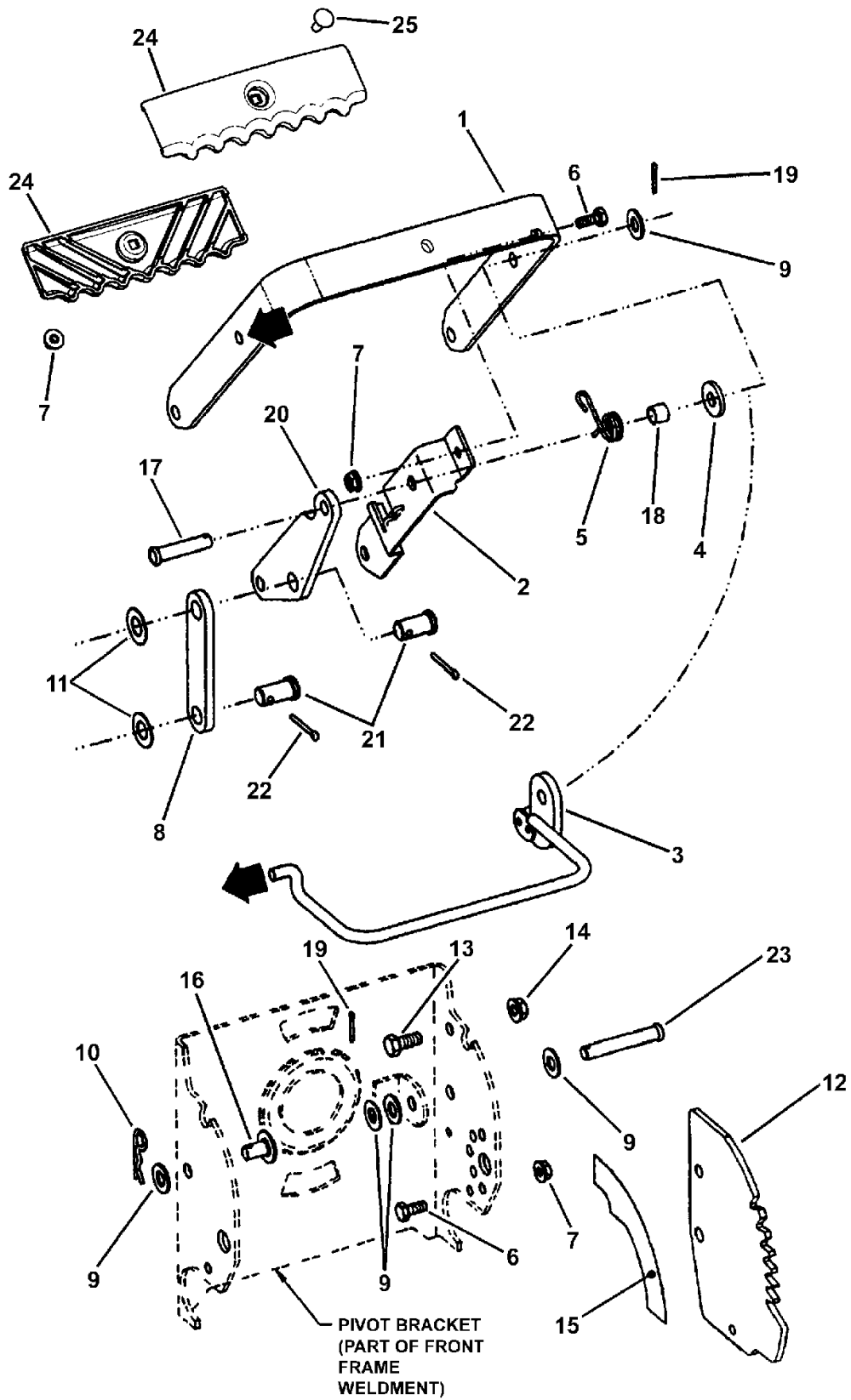


42" DECK LIFT HANDLE ASSEMBLY

Item	Part No	Qty	Description	Note
1	7041924	1	HANDLE, Deck Lift	
2	7041925	1	BRACKET, Pivot Support	
3	7058090	1	WELDMENT, Deck Lift Handle	
4	7029040	1	WASHER - Slipper	
5	7046489	1	SPRING, Torsion	
6	7090072	2	SCREW, 1/4-20 x 5/8" Hex Head Cap, GR 5	
7	7091584	3	NUT, 1/4-20 Hex Flange Lock	Was 90583
8	7035489	1	BAR, Deck Lift	
9	7090122	3	WASHER, 3/8" SAE Flat	
10	7091503	2	HAIR PIN, 3/32 x 1-1/2"	
11	7013996	1	PIN, 3/8 x 2" Clevis	
12	7058077	1	DETENT, Lift Handle	
13	7091318	1	SCREW, 5/16-18 x 3/4" Hex Head Cap, GR 5	
14	7091601	5	NUT, 5/16-18 Hex Flange Lock, GR 5	Was 91070
15	7046457	1	DECAL, Deck Position	
16	7091887	1	PIN, 3/8 x 1/2" Large Head Clevis	
17	7046491	1	PIN, 3/8 x 1-5/8" Clevis	
18	7046490	1	SPACER, Deck Lift	
19	7091597	1	PIN, 3/32 x 3/4" Cotter	
20	7091530	1	BOLT, 1/4-20 x 3/4" Short Neck Carriage, GR 5	
21	7074768	2	GRIP, Deck Lift	

Footnotes:

48" DECK LIFT HANDLE ASSEMBLY

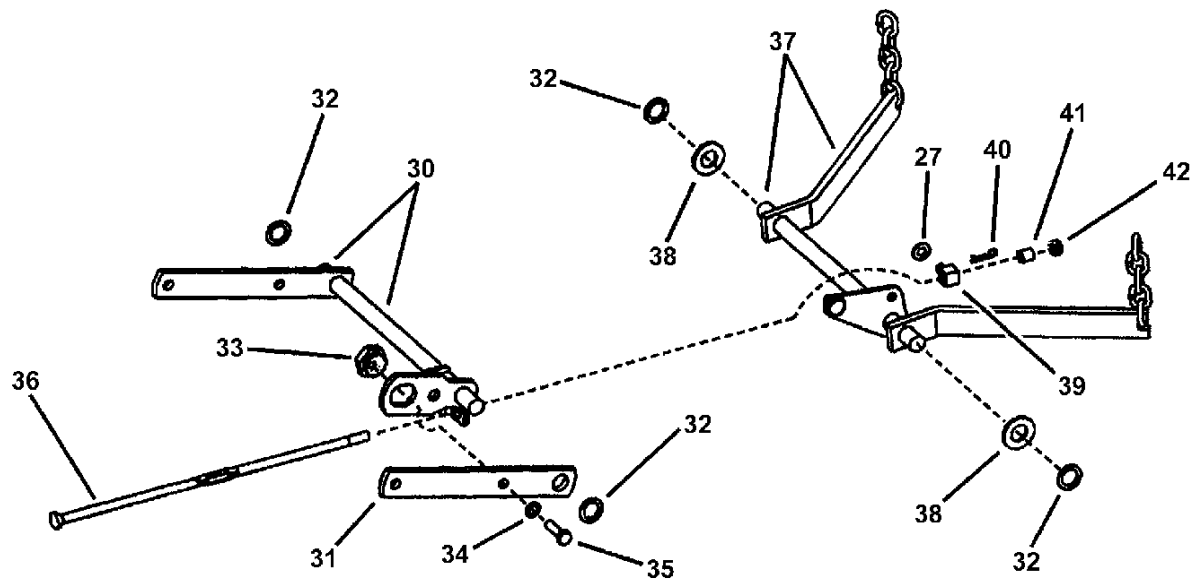


48" DECK LIFT HANDLE ASSEMBLY

Item	Part No	Qty	Description	Note
1	7041924	1	HANDLE, Deck Lift	
2	7041925	1	BRACKET, Pivot Support	
3	7058090	1	WELDMENT, Deck Lift Handle	
4	7029040	1	WASHER - Slipper	
5	7046489	1	SPRING, Torsion	
6	7090072	2	SCREW, 1/4-20 x 5/8" Hex Head Cap, GR 5	
7	7091584	2	NUT, 1/4-20 Hex Flange Lock	Was 90583
8	7047066	1	LINK, Connector	
9	7090122	5	WASHER, 3/8" SAE Flat	
10	7091503	2	HAIR PIN, 3/32 x 1-1/2"	
11	7090667	2	WASHER, 1/2" Flat	
12	7058077	1	DETENT, Lift Handle	
13	7091318	1	SCREW, 5/16-18 x 3/4" Hex Head Cap, GR 5	
14	7091601	1	NUT, 5/16-18 Hex Flange Lock, GR 5	Was 91070
15	7046457	1	DECAL, Deck Position	
16	7091887	1	PIN, 3/8 x 1/2" Large Head Clevis	
17	7046491	1	PIN, 3/8 x 1-5/8" Clevis	
18	7046490	1	SPACER, Deck Lift	
19	7091597	2	PIN, 3/32 x 3/4" Cotter	
20	7047067	1	PLATE, Connector Arm	
21	7091948	2	PIN, 1/2 x .725 Clevis	
22	7091598	2	COTTER PIN, 1/8 x 1"	Was 90041
23	7013996	1	PIN, 3/8 x 2" Clevis	
24	7074768	2	GRIP, Deck Lift	
25	7091530	1	BOLT, 1/4-20 x 3/4" Short Neck Carriage, GR 5	

Footnotes:

42" MOWER DECK ASSEMBLY (Part 2)

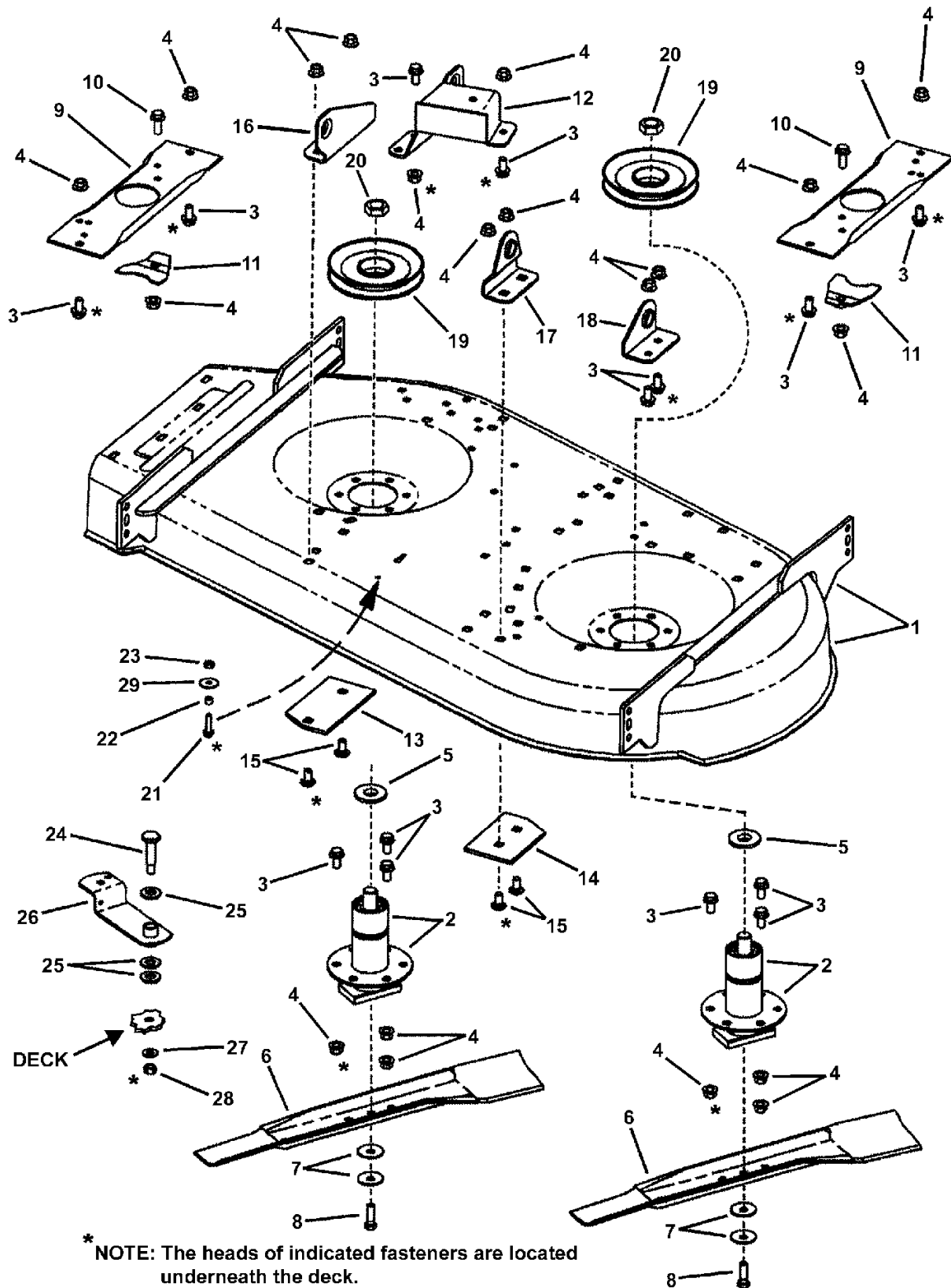


42" MOWER DECK ASSEMBLY (Part 2)

Item	Part No	Qty	Description	Note
27	7090122	2	WASHER, 3/8" SAE Flat	
28	7090289	1	NUT, 3/8-24 Hex Center Lock GR 5 or B	<i>shown on previous page only</i>
29	7014241	1	WASHER, 1/4" Flat	<i>shown on previous page only</i>
30	7042586	1	WELDMENT, Lift Arm, Front	
31	7034815	1	LIFT ARM, Front	
32	7010935	4	WASHER, 3/4" Flat	
33	7015447	1	ECCENTRIC, Leveling	
34	7090390	1	WASHER, 3/8" Internal Tooth Lock	
35	7090163	1	SCREW, 3/8-24 x 1-1/4" Hex Head Cap w/Nylon Patch, GR 5	
36	7035495	1	ROD, Cutter Deck Timing (3/8-16 thread)	
37	7042585	1	WELDMENT, Lift Arm, Rear	
38	7032028	2	WASHER, .781 x 1.5 x .132 Flat	
39	7024586	1	SWIVEL, Brake Link- PM	
40	7091310	1	HAIR PIN, #13	<i>replaces 16231</i>
41	7021815	1	SPACER, .391 I.D. x .531 long	
42	7091585	1	NUT, 3/8-16 Hex Center Lock	<i>Was 90546</i>

Footnotes:

42" MOWER DECK ASSEMBLY (Part 1)

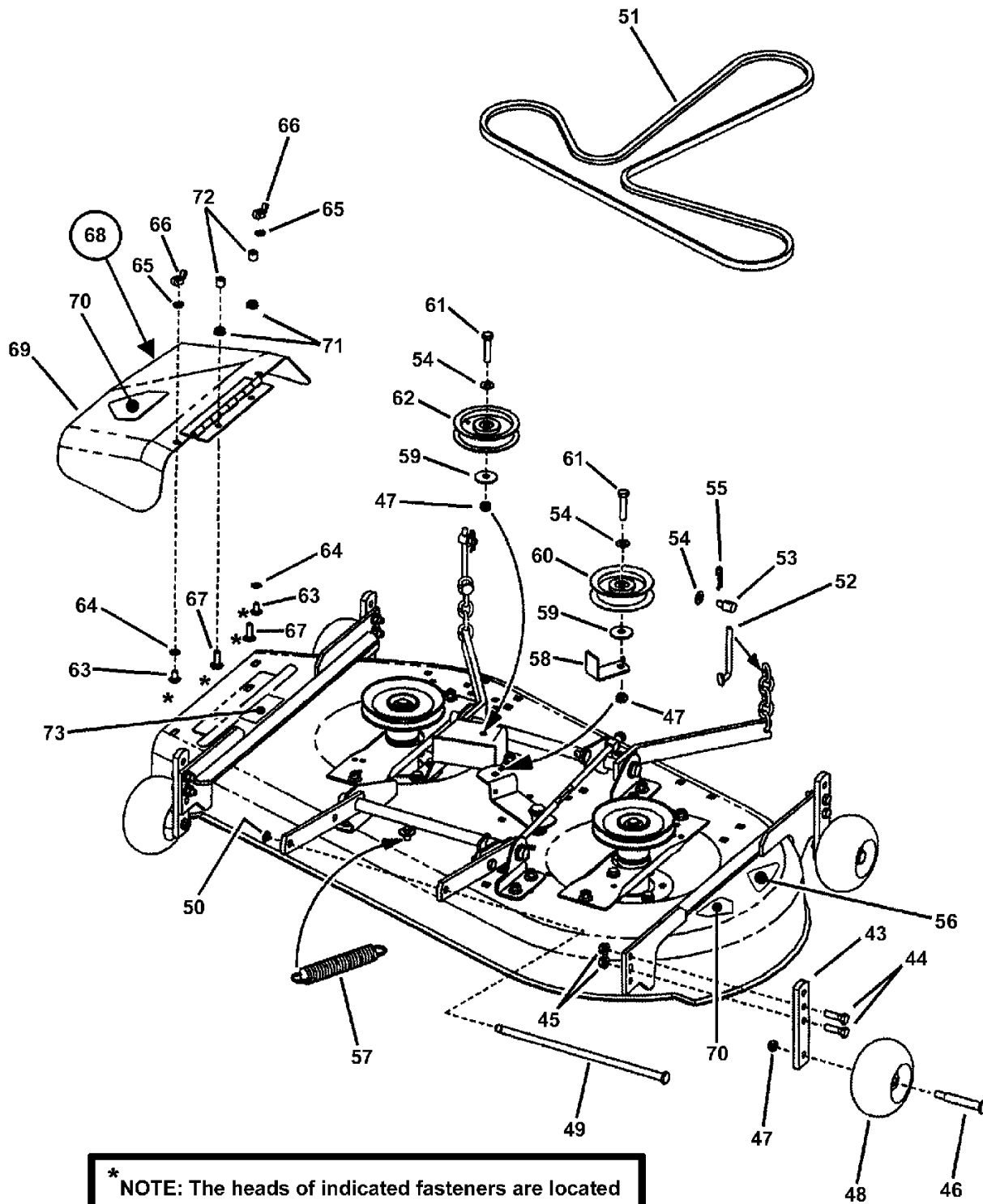


42" MOWER DECK ASSEMBLY (Part 1)

Item	Part No	Qty	Description	Note
1	7061958	1	DECK, 42" Replacement	<i>Includes welded deck and decals 24910, 46720 & 13010.</i>
2	7051914	2	ASSEMBLY, Spindle, Brake	<i>Was 59723</i>
3	7091588	14	BOLT, 3/8-16 x 3/4" Hex Flange Lock, GR 5	<i>Was 90612</i>
4	7091619	18	NUT, 3/8-16 Hex Flange Lock	<i>Was 90613</i>
5	7014407	2	WASHER, Spindle	
6	7026691	2	BLADE, 21" Standard Lift	
7	7012063	5	WASHER, .406 I. D. Cone	
8	7090824	2	SCREW, 3/8-24 x 1-1/4" Hex Head Cap, GR 5	
9	7033366	2	BRACE, Spindle	
10	7027198	2	BOLT, 3/8-16 x 1" Hex Flange Lock, GR 5	
11	7051747	2	ASSEMBLY, Spindle Lock	<i>components not sold separately</i>
12	7044651	1	WELDMENT, Stationary Idler, 42 HOZ	
13	7042811	1	REINFORCEMENT, 42" Deck, RH	
14	7042812	1	REINFORCEMENT, 42" Deck, LH	
15	7091547	4	BOLT, 3/8-16 x 3/4" Short Neck Carriage, GR 5	<i>Was 90850</i>
16	7035982	1	BRACKET, Right Front Lift, 42" Deck	
17	7035983	1	BRACKET, Left Front Lift, 42" Deck	
18	7035985	1	BRACKET, Left Rear Lift, 42" Deck	
19	7036437	2	PULLEY, 5-1/4"	
20	7074467	2	NUT, 3/4-16 Hex Jam, GR 8	
21	7090872	1	BOLT, 1/4-20 x 1-1/8" Hex Flange Lock, GR 5	
22	7010916	1	SPACER, .265 x .375 x .300 Thick	
23	7090372	1	NUT, 1/4-20 Hex Center Lock, GR 5 or B	
24	7091526	1	BOLT, 3/8-24 x 5/8" Shoulder	
25	7091587	1	WASHER, .531 x 1.062 x .121 SAE Flat	
26	7042650	1	WELDMENT, Idler Arm, 42" HOZ	
27	7090122	2	WASHER, 3/8" SAE Flat	
28	7090289	1	NUT, 3/8-24 Hex Center Lock GR 5 or B	
29	7014241	1	WASHER, 1/4" Flat	

Footnotes:

42" MOWER DECK ASSEMBLY (Part 3)

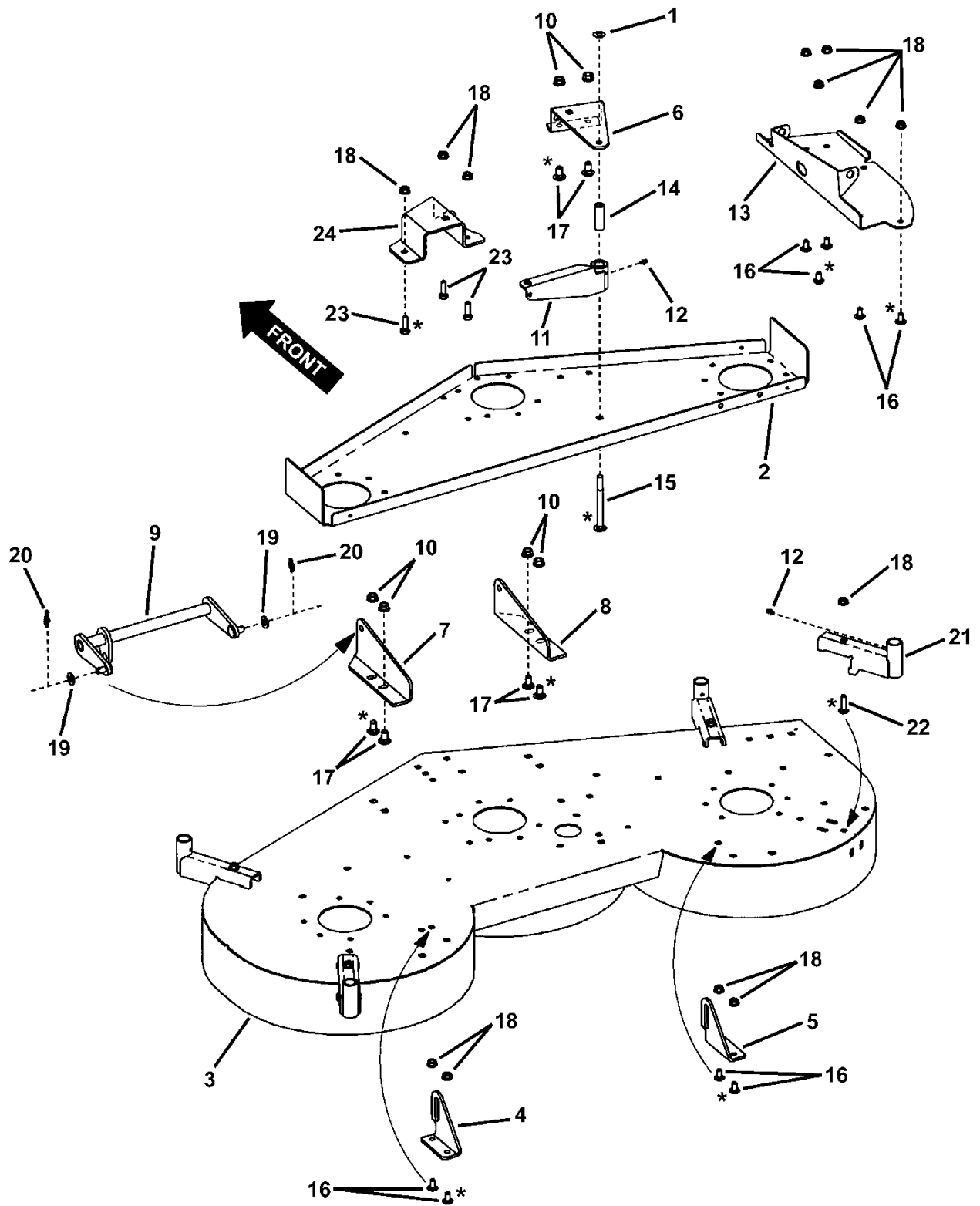


42" MOWER DECK ASSEMBLY (Part 3)

Item	Part No	Qty	Description	Note
43	7035835	4	POST, Anti Scalp 42" Deck	
44	7091328	8	SCREW, 3/8-16 x 1-1/4", Hex Head Cap, GR 5	
45	7091619	8	NUT, 3/8-16 Hex Flange Lock	<i>Was 90613</i>
46	7029265	4	BOLT, Gage Wheel, 3/8-16 x 3-3/8" Hex Head Shoulder	<i>for gage wheel</i>
47	7091585	6	NUT, 3/8-16 Hex Center Lock, GR 5 or B	
48	7029264	4	WHEEL, Gage	
49	7022717	1	ROD, Deck Support	
50	7017847	1	RING, .438 External Retaining	
51	7075235	1	BELT, HA Sect., 94.5" nom. effective length	
52	7028728	2	ADJUSTER, Chain (5/16-18 thread)	
53	7028200	2	SWIVEL, Adjustment	
54	7090122	5	WASHER, 3/8" SAE Flat	<i>replaces 91514, 91296</i>
55	7091503	3	HAIR PIN, 3/32 x 1-1/2"	
56	7024910	1	DECAL, 42" Deck	<i>see decal page</i>
57	7035969	1	SPRING, Extension 1.03 Dia. X 6.8" long	
58	7036561	1	BELT GUIDE, 38/42 Idler, HOZ	
59	7012063	2	WASHER, .406 I. D. Cone	
60	7075707	1	IDLER, Flat (4.00 O.D.)	
61	7091553	2	SCREW, 3/8-16 x 1-3/4" Hex Head Cap, GR 5	
62	7018574	1	IDLER, 4.12" Outside Diameter, Flat	
63	7090799	2	BOLT, 5/16-18 x 5/8" Short Neck Carriage, GR 5	
64	7011791	2	RETAINER, 5/16" Bolt	
65	7091315	2	WASHER, .32 x .58 x .08 Split Lock	
66	7091537	2	WING LOCKNUT, 5/16-18	
67	7091303	2	BOLT, 5/16-18 x 1" Short Neck Carriage, GR 5	
68	7051401	1	ASSEMBLY, Chute & Decal	<i>includes items 69 & 70</i>
69	7051401	1	WELDMENT, Side Chute	<i>Was 40497</i>
70	7013010	1	DECAL, Danger, Cut Finger	<i>see decal page</i>
71	7091601	2	NUT, 5/16-18 Hex Flange Lock, GR 5	
72	7023606	2	VINYL CAP, 1/4" I.D.	
73	7046720	1	DECAL, Chute/Deflector	<i>see decal page</i>

Footnotes:

48" MOWER DECK ASSEMBLY (Part 1)



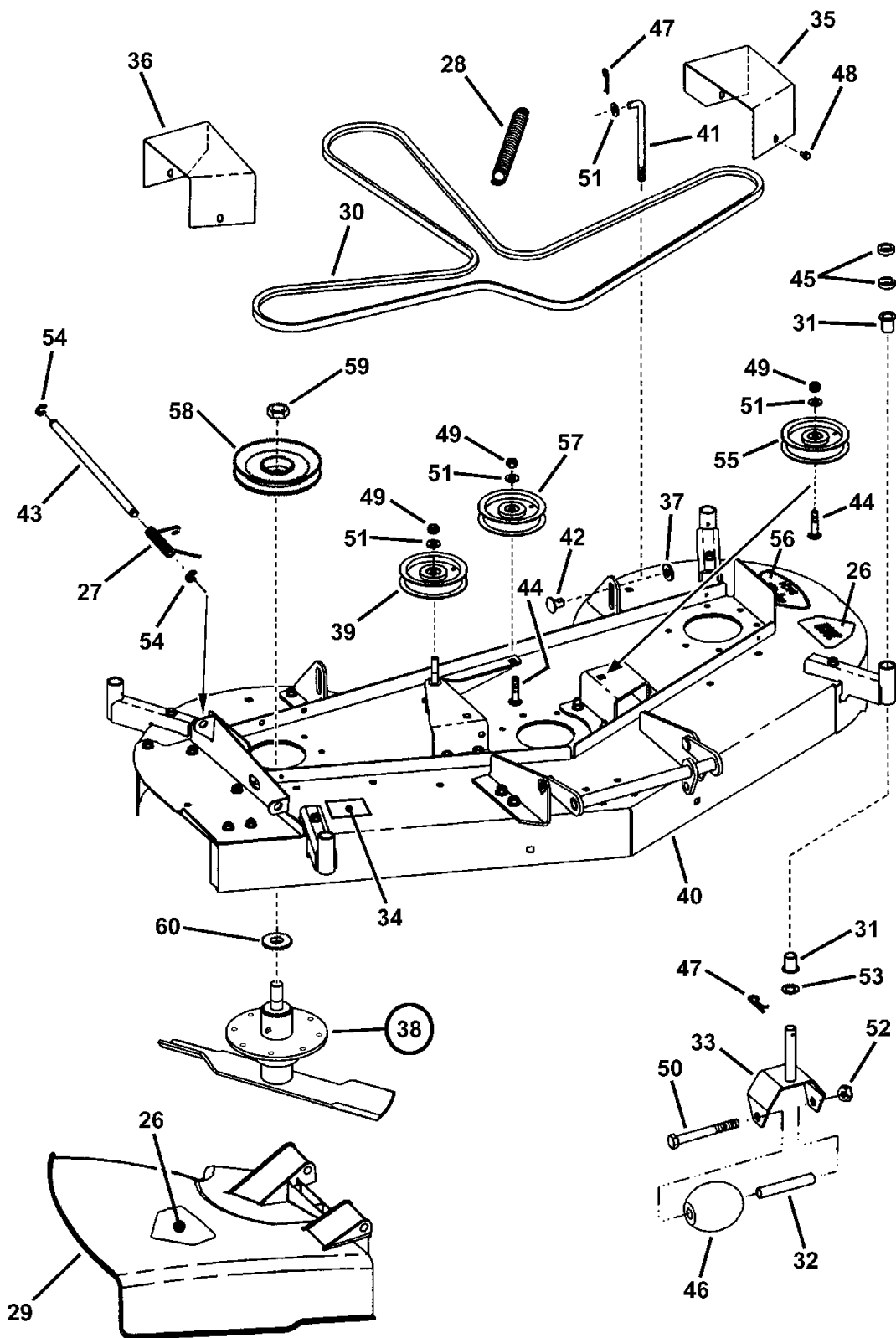
* NOTE: The heads of these fasteners are located inside the deck.

48" MOWER DECK ASSEMBLY (Part 1)

Item	Part No	Qty	Description	Note
1	7013847	3	RETAINER, 3/8" Bolt	
2	7034321	1	STIFFENER, 48" Deck, HOZ	
3	7044848	1	WELDMENT, 48" Deck	
4	7047047	1	HANGER Rear R.H.	
5	7047048	1	HANGER Rear L.H.	
6	7047049	1	BRACKET, Pulley Mounting	
7	7074230	1	BRACKET, Front Lift L.H.	
8	7074231	1	BRACKET, Front Lift R.H.	
9	7059240	1	WELDMENT, Front Lift, 48	<i>Ref: Item 22 on 48" FRONT FRAME & COVER ASSEMBLY page</i>
10	7091619	6	NUT, 3/8-16 Hex Flange Lock	
11	7058076	1	ASSEMBLY, Idler Arm- Lube Fitting (46706 Weldment & 13864 zerk)	<i>includes 46706, Idler Arm Weldment & one item 12</i>
12	7013864	1	LUBE FITTING, Straight (press-fit for .187 dia. Hole)	
13	7074951	1	BRACKET, Hinge, 48" Deck	
14	7071698	1	SPACER, Pivot Collar, 48 HOZ	
15	7091888	1	BOLT, 3/8-16 x 4" Square Neck Carriage, GR 5	
16	7090799	12	BOLT, 5/16-18 x 5/8" Short Neck Carriage, GR 5	
17	7091923	6	BOLT, 3/8-16 x 3/4" Short Neck Carriage, GR 5	
18	7091601	19	NUT, 5/16-18 Hex Flange Lock, GR 5	
19	7090122	2	WASHER, 3/8" SAE Flat	<i>replaces 91514, 91296</i>
20	7091593	2	PIN, 3/8 Self Locking Cotter	
21	7044801	4	WELDMENT, Caster Bracket	
22	7091169	4	BOLT, 5/16-18X1-1/8" Short Neck Carriage, GR 5	
23	7027168	3	SCREW, 5/16-18 x 1" Hex Head Cap, GR 5	<i>Was 90636</i>
24	7075587	1	BRACKET, Stationary Idler	

Footnotes:

48" MOWER DECK ASSEMBLY (Part 2)

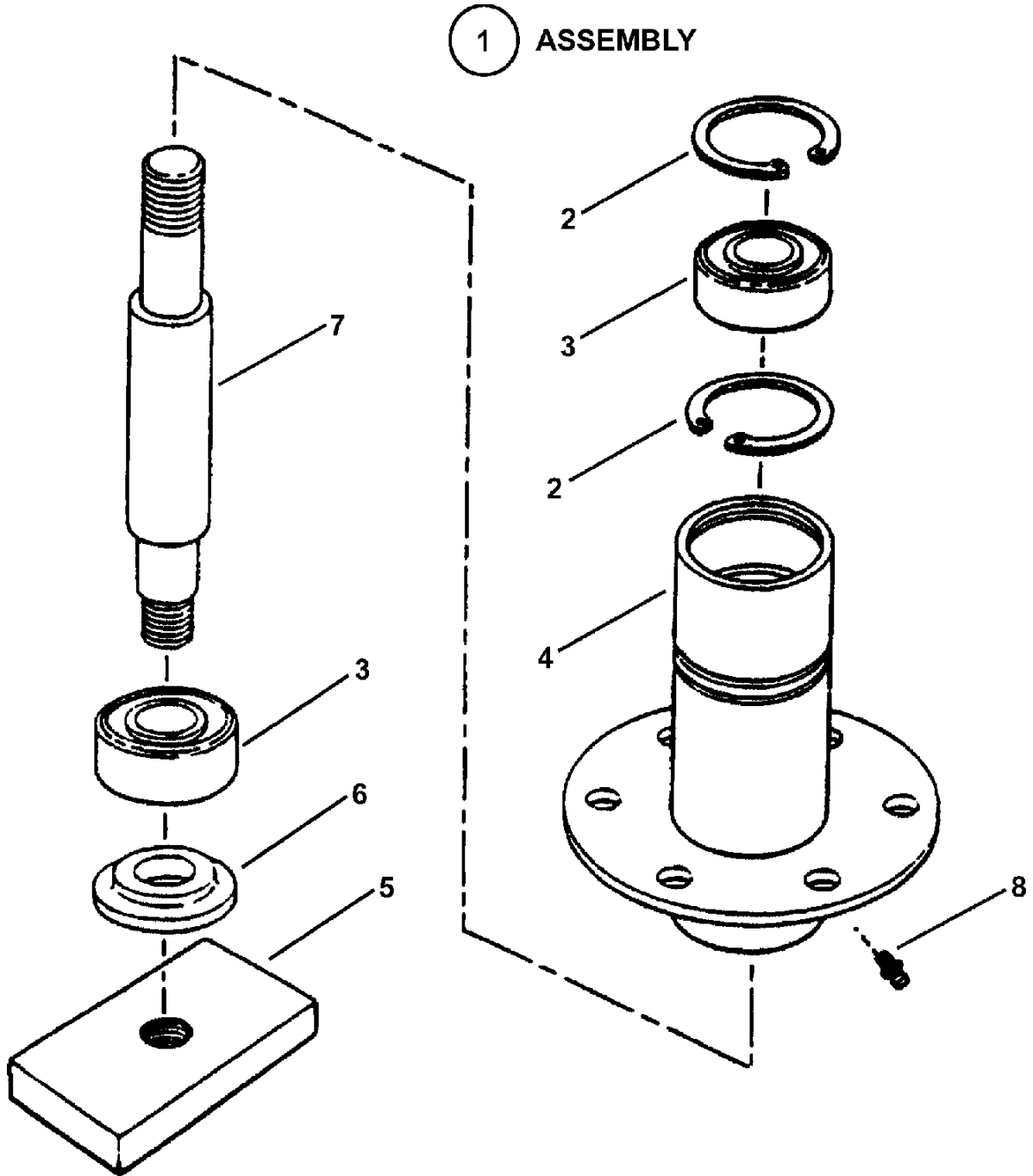


48" MOWER DECK ASSEMBLY (Part 2)

Item	Part No	Qty	Description	Note
26	7013010	1	DECAL, Danger, Cut Finger	<i>see decal page</i>
27	7035813	1	SPRING, Torsion	
28	7058508	1	SPRING, Extension, 48" HOZ	
29	7029425	1	DISCHARGE CHUTE, Hi Impact Co-Polymer	
30	7075092	1	V-BELT, HA Sect., 120.722" effective length	
31	7043858	8	BUSHING, Flange, .64 x .75 x .5	
32	7046301	4	SLEEVE, Caster Wheel	
33	7046302	4	WELDMENT, Pivot Yoke, Caster	
34	7046720	1	DECAL, Chute/Deflector	<i>see decal page</i>
35	7047093	1	COVER, Belt, LH	
36	7047094	1	COVER, Belt, RH	
37	7090667	2	WASHER, 1/2" Flat	
38	7058524	3	ASSEMBLY, 48" Spindle	
39	7072319	1	PULLEY, 3-1/4 Dia. Flat Idler	<i>New Hampshire p/n FH-5220-14</i>
40	--	1	*ASSEMBLY, 48" Painted Mower Deck	<i>see previous two pages</i>
41	7058086	2	LINK, Leveling (3/8-16 thread)	
42	7058087	2	SWIVEL, Support (3/8-16 internal thread)	
43	7072044	1	HINGE PIN	
44	7091810	2	BOLT, 3/8-16 x 1-3/4" Short Neck Carriage, GR 5	<i>Was 91158</i>
45	7076436	8	SPACER, Blade	
46	7073142	4	ROLLER, Low Density Polyethylene	<i>Was 79226</i>
47	7091503	6	HAIR PIN, 3/32 x 1-1/2"	
48	7091084	4	SCREW, 1/4-20 x 3/8" Hex Washer Self Tap	<i>Was 90302</i>
49	7091585	3	NUT, 3/8-16 Hex Center Lock	<i>Was 90546</i>
50	7090993	4	SCREW, 1/2-20 x 4-1/2" Hex Head Cap, GR 5	
51	7090122	5	WASHER, 3/8" SAE Flat	<i>replaces 91514, 91296</i>
52	7090266	4	NUT, 1/2-20 Hex Center Lock, GR 5 or B	
53	7091628	4	WASHER, .64 x .99 x .05 Flat	
54	7014341	2	RING, .392 External Retaining	<i>Waldes #5133-50</i>
55	7018574	1	IDLER, 4.12" Outside Diameter, Flat	
56	7024431	1	DECAL, 48" Deck	<i>see decal page</i>
57	7034422	1	PULLEY, 5" x .375 Flat Idler (Belt Clutch)	
58	7044813	3	PULLEY, Driven, 4.50" O.D.	
59	7074467	3	NUT, 3/4-16 Hex Jam, GR 8	
60	7014407	3	WASHER, Spindle	<i>also shown on 48" SPINDLE ASSEMBLY page</i>

Footnotes:

*NOTE: Deck Ass'y 58522 consists of items 2-9, 11, 13, 14, 21, 24, 38, 58 & 60 assembled with appropriate fasteners.

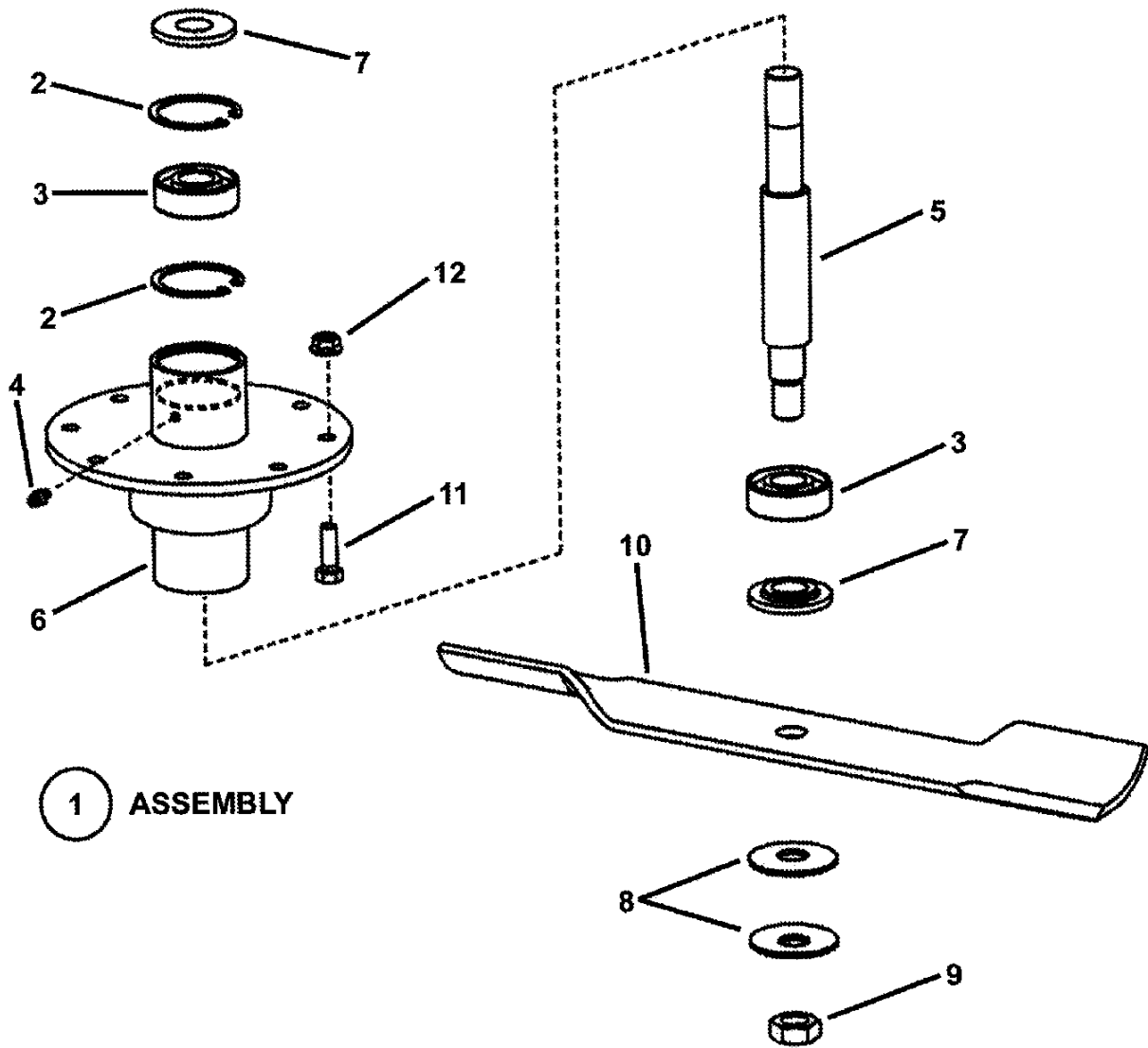


42" SPINDLE ASSEMBLY

Item	Part No	Qty	Description	Note
1	7051914	2	ASSEMBLY, Spindle, Brake	<i>Was 59723 (Includes 2 thru 7)</i>
2	7012491	2	RING, 1-3/4" External Retaining Ring	<i>Truarc part no. N-5000-175</i>
3	7013313	2	BALL BEARING, 3/4" I.D.	
4	7051918	1	WELDMENT, Spindle Housing	<i>Was 47917</i>
5	7032294	1	BLADE HOLDER (3/4-16 Internal Thread)	
6	7014407	1	WASHER, Spindle	
7	7027668	1	SHAFT, Blade Spindle (3.47" shanl length)	
8	7010817	1	FITTING, Lube, Press-In (for .187 dia. Hole)	

Footnotes:

48" SPINDLE ASSEMBLY



48" SPINDLE ASSEMBLY

Item	Part No	Qty	Description	Note
1	7058524	3	ASSEMBLY, 48" Spindle	<i>includes items 2 thru 10</i>
2	7012491	2	RING, 1-3/4" External Retaining Ring	<i>Truarc part no. N-5000-175</i>
3	7013313	2	BALL BEARING, 3/4" I.D.	
4	7010817	1	FITTING, Lube, Press-In (for .187 dia. Hole)	
5	7073405	1	SHAFT, Spindle (7.81" long)	
6	7044798	1	WELDMENT, 48" Spindle	
7	7014407	2	WASHER, Spindle	
8	7016440	2	WASHER, .656 Belleville	
9	7090658	1	NUT, 5/8-18 Hex Jam	
10	7075588	1	BLADE, 16-1/2" Low Inertia	
11	7027168	6	SCREW, 5/16-18 x 1" Hex Head Cap, GR 5	<i>Was 90636 (not part of 58524 assembly)</i>
12	7091601	6	NUT, 5/16-18 Hex Flange Lock, GR 5	<i>Was 91070 (not part of 58524 assembly)</i>

Footnotes:



WARNING
AVOID SERIOUS INJURY OR DEATH

- READ ALL MANUALS AND INSTRUCTIONS FURNISHED WITH THE MACHINE.
- MAKE SURE THAT SHIELDS, GUARDS, SWITCHES, AND OTHER SAFETY DEVICES ARE IN PROPER POSITION AND FUNCTIONAL.
- CLEAR MOWING AREA OF WIRE, ROCKS AND OTHER OBJECTS THAT COULD CAUSE INJURY IF THROWN BY BLADE.
- DO NOT ALLOW CHILDREN (PRE-TEENAGERS) ON MACHINE (EVEN WITH BLADE OFF) OR IN YARD WHEN MOWING. KEEP OTHERS SAFELY AWAY FROM THE OPERATING AREA.
- LOOK DOWN AND BEHIND MACHINE BEFORE AND WHILE BACKING.
- DO NOT MOW ON SLOPES OR IN ANY AREA WHERE STABILITY OR TRACTION IS IN DOUBT. IF YOU CAN NOT BACK UP A SLOPE, DO NOT MOW ON IT.
- DO NOT MOW ACROSS FACE OF SLOPES. REDUCE SPEED AND AVOID SHARP TURNS ON SLOPES.
- AVOID UPHILL STARTS. IF THE MACHINE IS STOPPED GOING UP A SLOPE, TURN BLADE OFF AND BACK DOWN THE SLOPE.
- STOP BLADE BEFORE PUTTING FOOT ON GROUND OR LEAVING THE SEAT.
- AVOID SUDDEN TURNS.

75993

DECK LIFT HANDLE →

CUTTING HEIGHT ADJUSTMENT

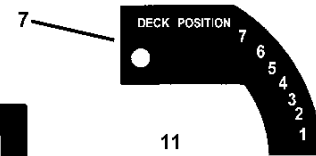
- GRASP BOTH HANDLES TOGETHER TO DISENGAGE LATCH
- RAISE OR LOWER HANDLES TO DESIRED HEIGHT
- RELEASE LOWER HANDLE TO ENGAGE LATCH

4

↑ DISENGAGE ↑
PARK BRAKE
 ↓ ENGAGE ↓

78812

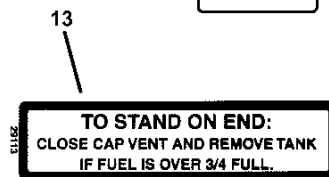
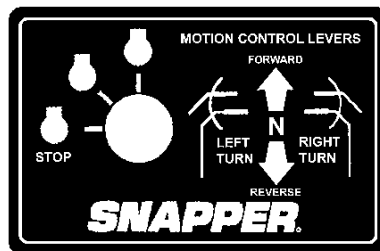
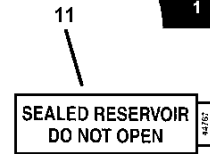
3



MOWER BELTS AND BLADES

33" MOWER BELT	35389
33" DRIVE BELT	42773
33" JACKSHAFT BELT	29117
33" MOWER BLADE	34168
<hr/>	
38" MOWER BELT	29308
38" DRIVE BELT	42773
38" JACKSHAFT BELT	29117
38" MOWER BLADE	42998
<hr/>	
42" MOWER BELT	75235
42" DRIVE BELT	42773
42" JACKSHAFT BELT	29117
42" MOWER BLADE	26691
<hr/>	
48" MOWER BELT	75092
48" DRIVE BELT	42773
48" JACKSHAFT BELT	46997
48" MOWER BLADE	75588

USE ONLY GENUINE SNAPPER REPLACEMENT PARTS TO ASSURE THAT ORIGINAL STANDARDS ARE MAINTAINED.

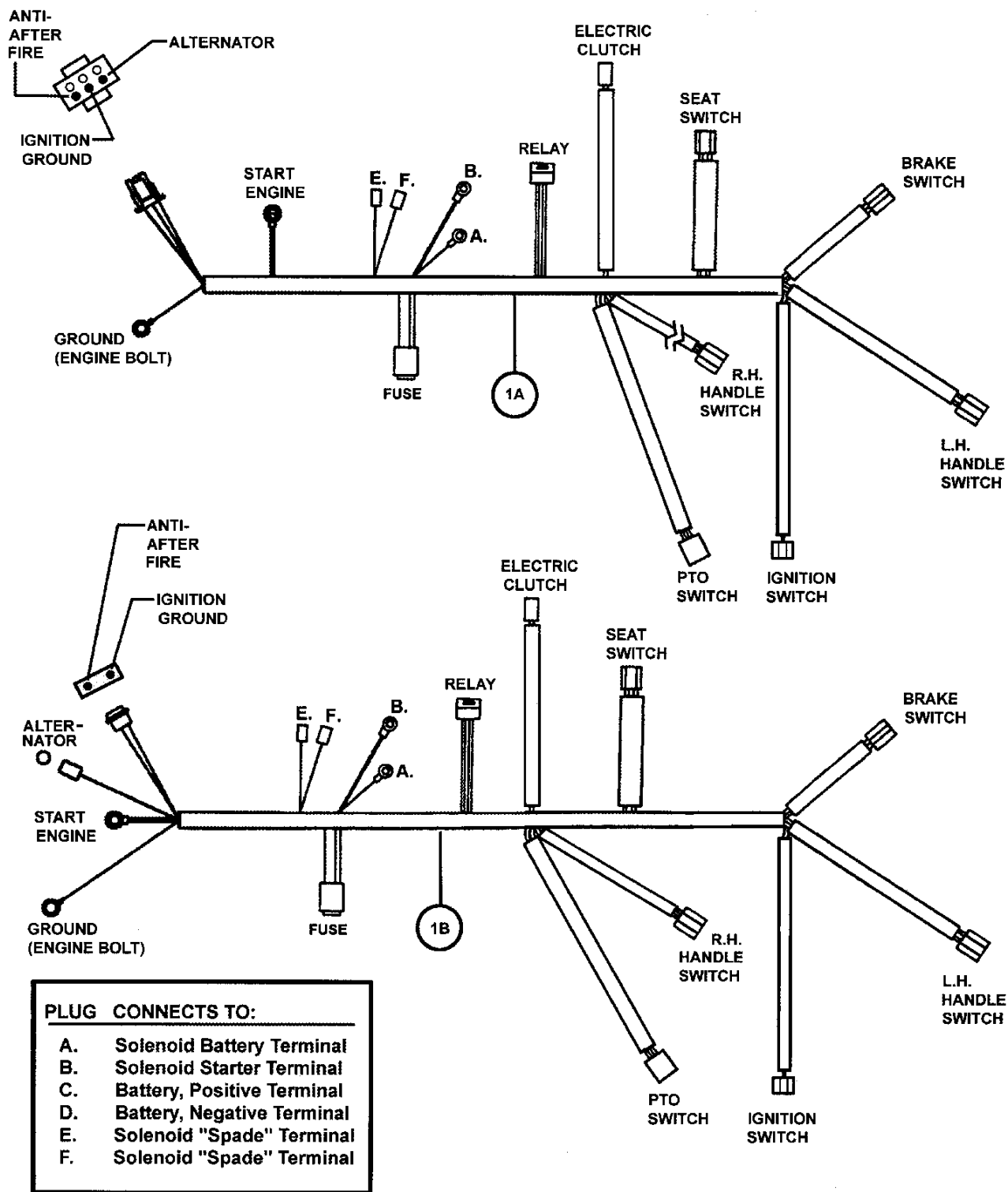


DECALS

Item	Part No	Qty	Description	Note
1	7075760	2	DECAL, SNAPPER	
2	7034817	1	DECAL, SCRAMBLER	
3	7075812	1	DECAL, Park Brake	
4	7046426	1	DECAL, Deck Height	
5	7013010	1	DECAL, Danger, Cut Finger	
6	7075993	1	DECAL, Warning, Read Manuals & Instructions	
7	7046457	1	DECAL, Deck Position	
8	7078044	1	DECAL, Service Parts, HOZ Domestic	
9	7078022	1	DECAL, OPEI Walk/Ride	
10	7078049	1	DECAL, Throttle/Choke Control	
11	7044767	2	DECAL, Hydro Reservoir	
12	7071683	1	DECAL, Hydro Release	
13	7029113	1	DECAL, Caution, Fuel (English)	
14	7072952	1	DECAL, Ignition Switch, Twin Stick	
15	7024910	1	DECAL, 42" Deck	
16	7024431	1	DECAL, 48" Deck	
17	7046720	1	DECAL, Chute/Deflector	

Footnotes:

ELECTRICAL COMPONENTS (Part 1)



ELECTRICAL COMPONENTS (Part 1)

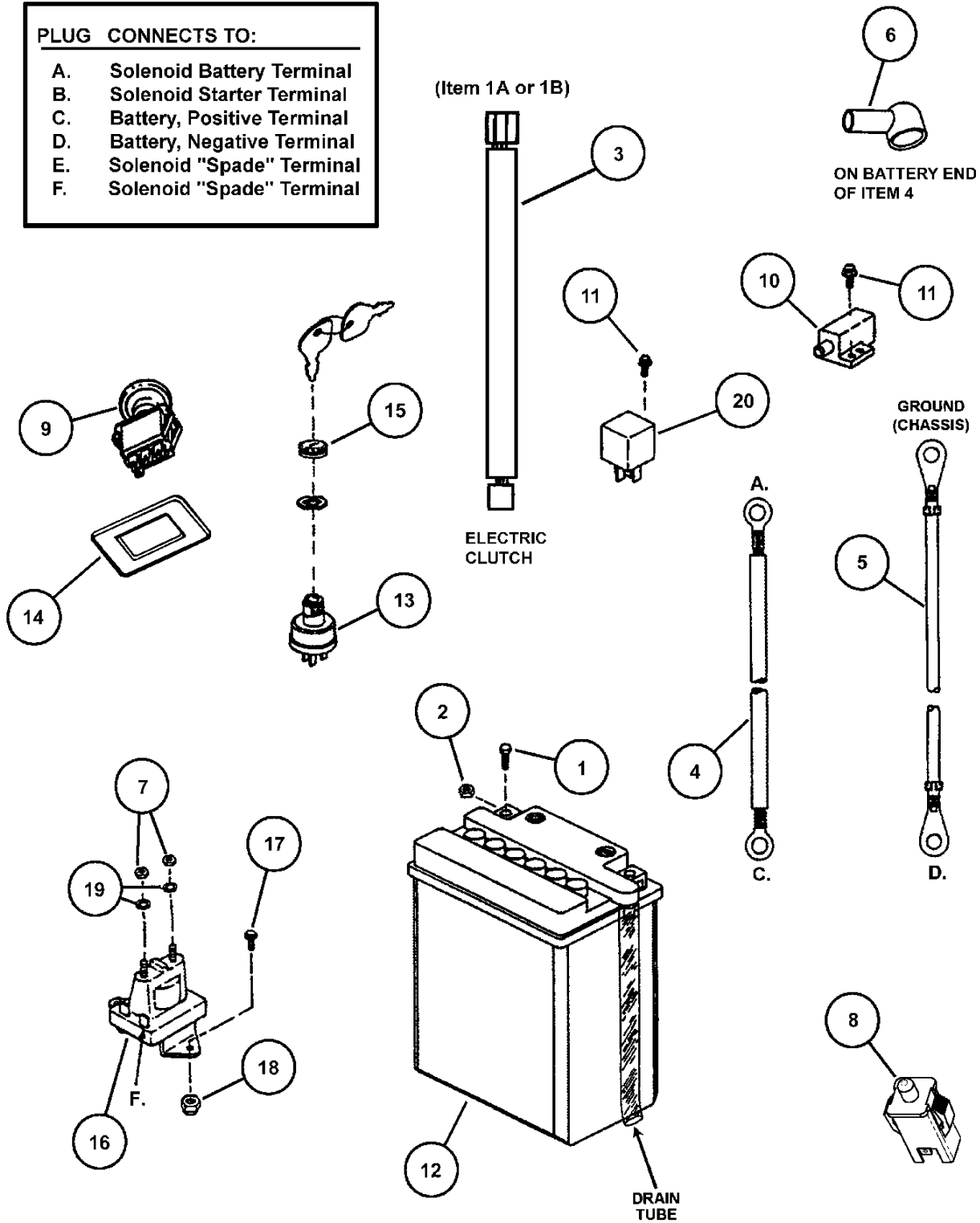
Item	Part No	Qty	Description	Note
1A	7073426	1	WIRING HARNESS, 18 HP Briggs Intek- Twin Stick	
1B	7075074	1	WIRING HARNESS, 20 HP Briggs V-Twin- Twin Stick	

Footnotes:

ELECTRICAL COMPONENTS (Part 2)

PLUG CONNECTS TO:

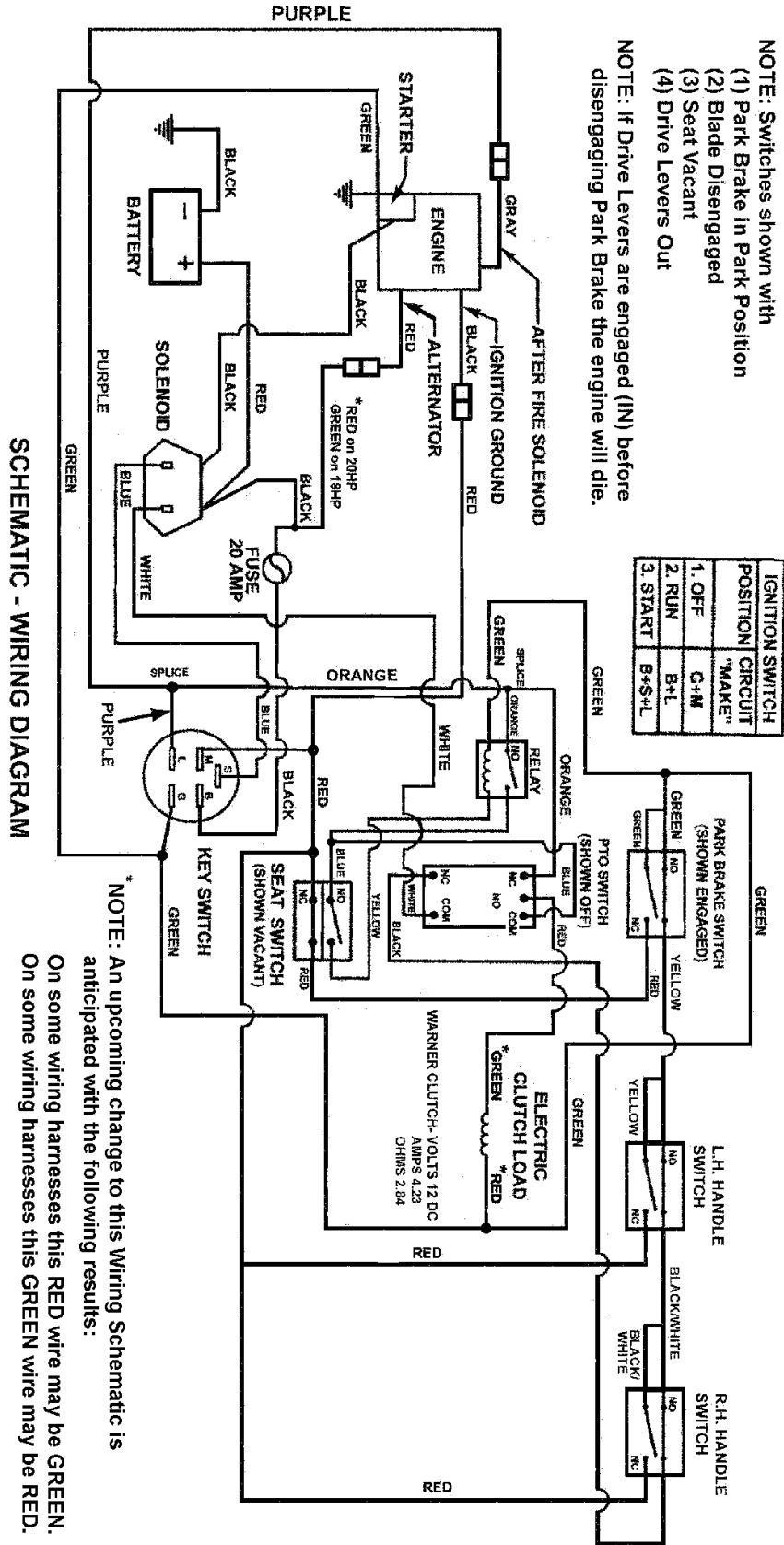
- A. Solenoid Battery Terminal
- B. Solenoid Starter Terminal
- C. Battery, Positive Terminal
- D. Battery, Negative Terminal
- E. Solenoid "Spade" Terminal
- F. Solenoid "Spade" Terminal



ELECTRICAL COMPONENTS (Part 2)

Item	Part No	Qty	Description	Note
1	7090411	2	SCREW, #10-24 x 1/2" Hex Head Cap	
2	7012688	2	NUT, #10-24 Hex Twin "Whiz" Lock	
3	7035926	1	WIRE HARNESS, Warner Clutch	
4	7016835	1	WIRE, Positive, 13" long	
5	7042956	1	WIRE, Negative, 14" long	
6	7071694	2	COVER, Battery Cable	
7	7090977	2	NUT, 1/4-20 Hex Jam, GR 5 or B	
8	7022886	1	SWITCH, Seat (NO/NC) Snap-In	
9	7075884	1	SWITCH, PTO E.C. (Delta Part No. 6201-219)	
10	7023355	3	SWITCH, Park Brake (NC/NO)	
11	7090913	3	SCREW, #10-24 x 1/2" Hex Washer Self-Tap (Torx)	
12	7029130	1	BATTERY, 12V, 3 Amp, 190 Cold Cranking Amp	<i>includes drain tube, p/n 91855</i>
13	7026343	1	SWITCH, Ignition (After-fire Solenoid)	
14	7035661	1	SPACER, PTO Switch	
15	7023506	1	BEZEL	
16	7075622	1	SOLENOID - Super Trombetta- 2 Terminal	
17	7090071	2	SCREW, 1/4-20 x 1/2" Hex Head Cap, GR 5	
18	7091584	3	NUT, 1/4-20 Hex Flange Lock	
19	7090053	3	WASHER, 1/4" Internal Tooth Lock	<i>Was 91314</i>
20	7028570	1	RELAY, OPC, Electric Clutch	

Footnotes:



WIRING SCHEMATIC

Item	Part No	Qty	Description	Note
--	--	1	Wiring schematic includes harness #'s 73426 & or 75074	

Footnotes:

Parts Manual for

SNAPPER®

SCRAMBLER ZERO-TURN 42" & 48" HYDRO DRIVE SZT SERIES 6

IT IS THE POLICY OF SNAPPER TO IMPROVE ITS PRODUCTS
WHENEVER IT IS POSSIBLE AND PRACTICAL TO DO SO. WE
RESERVE THE RIGHT TO MAKE CHANGES OR ADD IMPROVEMENTS
AT ANY TIME WITHOUT INCURRING ANY OBLIGATION TO MAKE
SUCH CHANGES ON PRODUCTS MANUFACTURED PREVIOUSLY.

SNAPPER McDonough, GA, 30253 U.S.A.