

Parts Manual for

SNAPPER®

SCRAMBLER 42" & 48" HYDRO DRIVE YZ SERIES 5 & 6

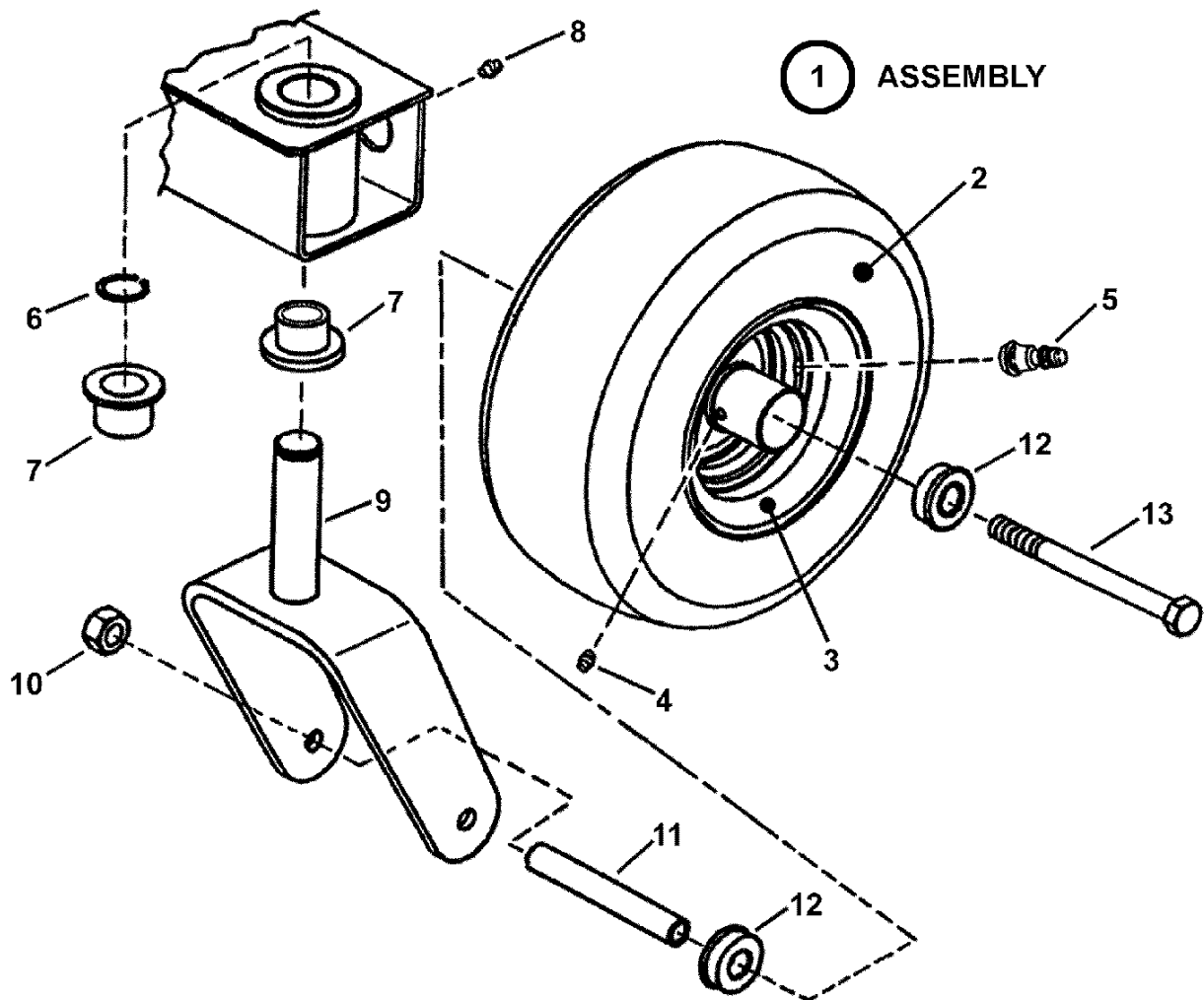
MODEL
YZ18425BVE
YZ18426BVE
YZ20485BVE
YZ20486BVE



SNAPPER® McDonough, GA, 30253 U.S.A.

PAGE	GROUP
4	CASTER, FRONT WHEEL & TIRE ASSEMBLY
6	WHEELS- REAR
8	42" FRONT FRAME & COVER ASSEMBLY
10	48" FRONT FRAME & COVER ASSEMBLY
12	REAR FRAME ASSEMBLY
16	JOYSTICK & OPERATOR SEAT (Part 1)
18	JOYSTICK & OPERATOR SEAT (Part 2)
20	FENDER & TRANSAXLE ASSEMBLY
24	BRAKE/CLUTCH LEVER ASSEMBLY
26	ENGINE COMPONENTS
30	CLUTCH ASSEMBLY
32	42" DECK LIFT HANDLE ASSEMBLY
34	48" DECK LIFT HANDLE ASSEMBLY
36	42" MOWER DECK ASSEMBLY (Part 1)
38	42" MOWER DECK ASSEMBLY (Part 2)
40	42" MOWER DECK ASSEMBLY (Part 3)
42	48" MOWER DECK ASSEMBLY (Part 1)
44	48" MOWER DECK ASSEMBLY (Part 2)
46	42" SPINDLE ASSEMBLY
48	48" SPINDLE ASSEMBLY
50	DECALS (Part 1)
52	DECALS (Part 2)
54	ELECTRICAL COMPONENTS (Part 1)
56	ELECTRICAL COMPONENTS (Part 2)
58	WIRING SCHEMATIC (18 hp engine)
60	WIRING SCHEMATIC (20 hp engine)

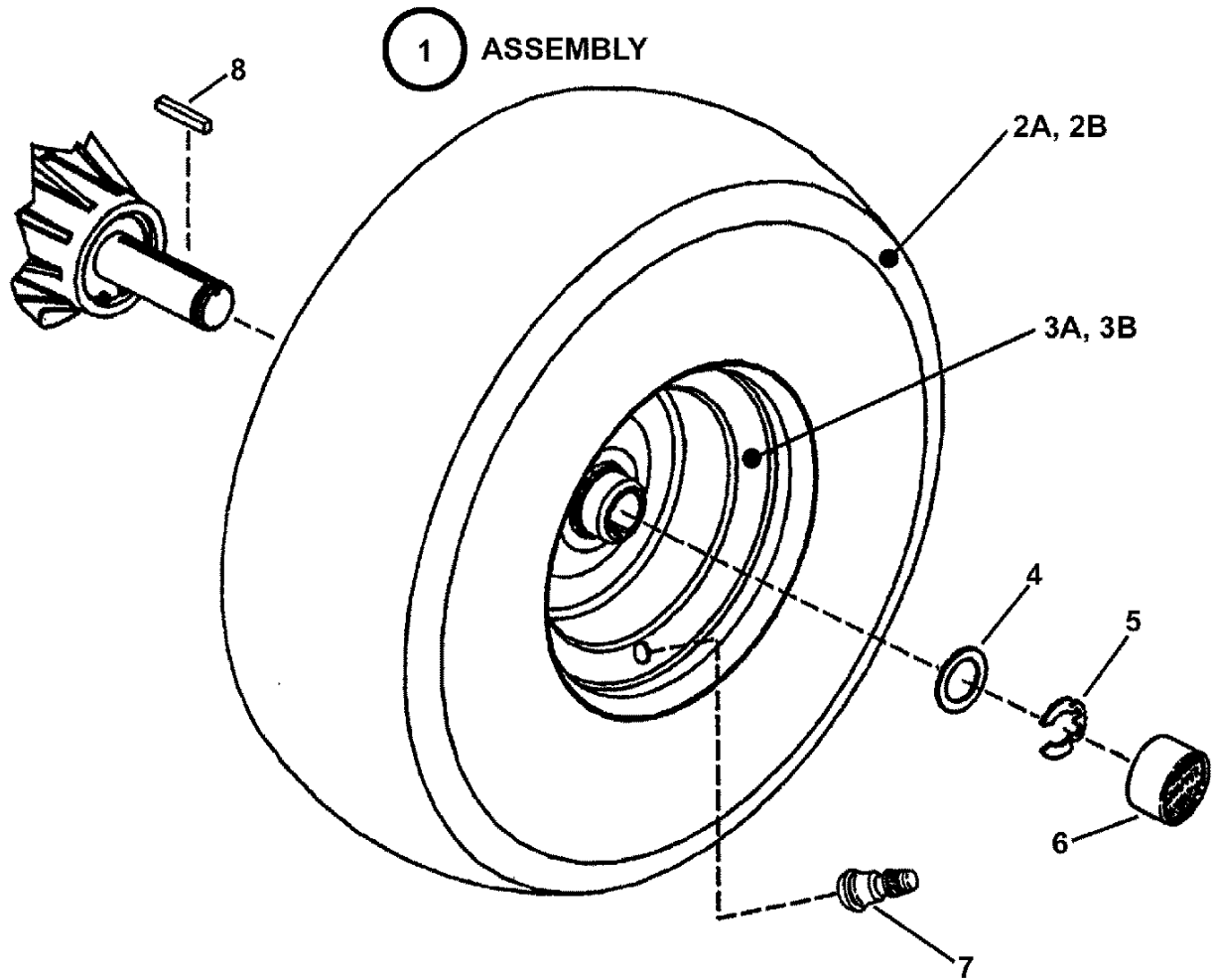
CASTER, FRONT WHEEL & TIRE ASSEMBLY



CASTER, FRONT WHEEL & TIRE ASSEMBLY

Item	Part No	Qty	Description	Note
1	7059090	2	ASSEMBLY, Front Wheel & Tire (Complete) (Includes Items 2 thru 5)	
2	7035618	1	TIRE, 11 x 4.00-5, Smooth Tread	<i>per front wheel & tire assembly</i>
3	7039477	1	RIM, 5.00 Dia. x 3.00	<i>per front wheel & tire assembly</i>
4	7076998	1	LUBE FITTING, 1/4-28 Thread Forming	<i>Was 29275, per front wheel & tire assembly</i>
5	7012234	1	VALVE STEM, Air (Snap-in)	<i>per front wheel & tire assembly</i>
6	7012709	2	RING, 1" External Retaining	
7	7023556	4	BUSHING, Caster	<i>Was 46626</i>
8	7013864	2	LUBE FITTING, Straight (press-fit for .187 dia. Hole)	
9	7041783	2	WELDMENT, Pivot Yoke, Caster	
10	7090839	2	NUT, 7/16-14 Hex Center Lock, GR5 or B	
11	7035359	2	TUBE, 5/8 O.D. x 14 Ga x 4.51	
12	7035358	4	BEARING, Ball, 5/8 x 1-3/8"	
13	7091772	2	SCREW, 7/16-14 x 6" Hex Head Cap, GR5	

Footnotes:

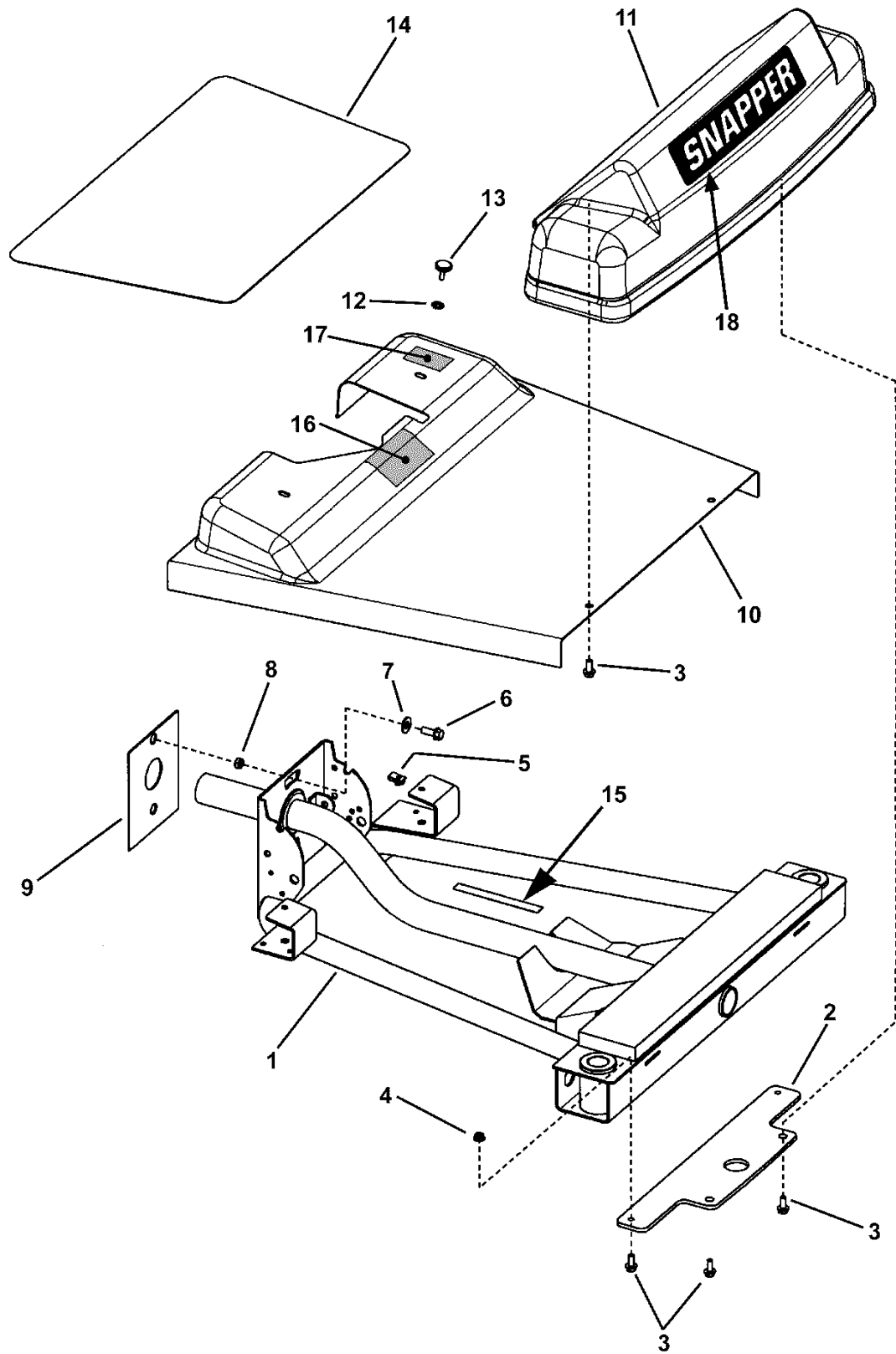


WHEELS- REAR

Item	Part No	Qty	Description	Note
1	7058959	2	ASSEMBLY, Rear Tire & Rim, 18 x 9.50-8, Multi-Trac (Incl. 2A, 3A & 7)	<i>used on 48" Deck Models</i>
	7058948	2	ASSEMBLY, Rear Tire & Rim (Includes items 2B, 3B & 7)	<i>used on 42" Deck Models</i>
2A	7072706	1	TIRE, 18 x 9.50-8, Multi-Trac	<i>Was 46339, per rear wheel & tire assembly</i>
2B	7046322	1	TIRE, 18 x 8.50-8, Multi-Trac	<i>per rear wheel & tire assembly</i>
3A	7039468	1	RIM, 18 x 8.50 Wheel w/25mm Hub I. D.	<i>per rear wheel & tire assembly</i>
3B	7039468	1	RIM, 18 x 8.50 w/25mm Hub	<i>per rear wheel & tire assembly</i>
4	7072028	2	WASHER, 1.56 x 1.054 x .047 Flat	
5	7091764	2	KLIPRING, 1" External (Waldes Truarc 5304-100)	
6	7011022	2	HUB CAP	
7	7012234	1	VALVE STEM, Air (Snap-in)	<i>per rear wheel & tire assembly</i>
8	7042940	2	KEY, Square M6 x 38mm	

Footnotes:

42" FRONT FRAME & COVER ASSEMBLY

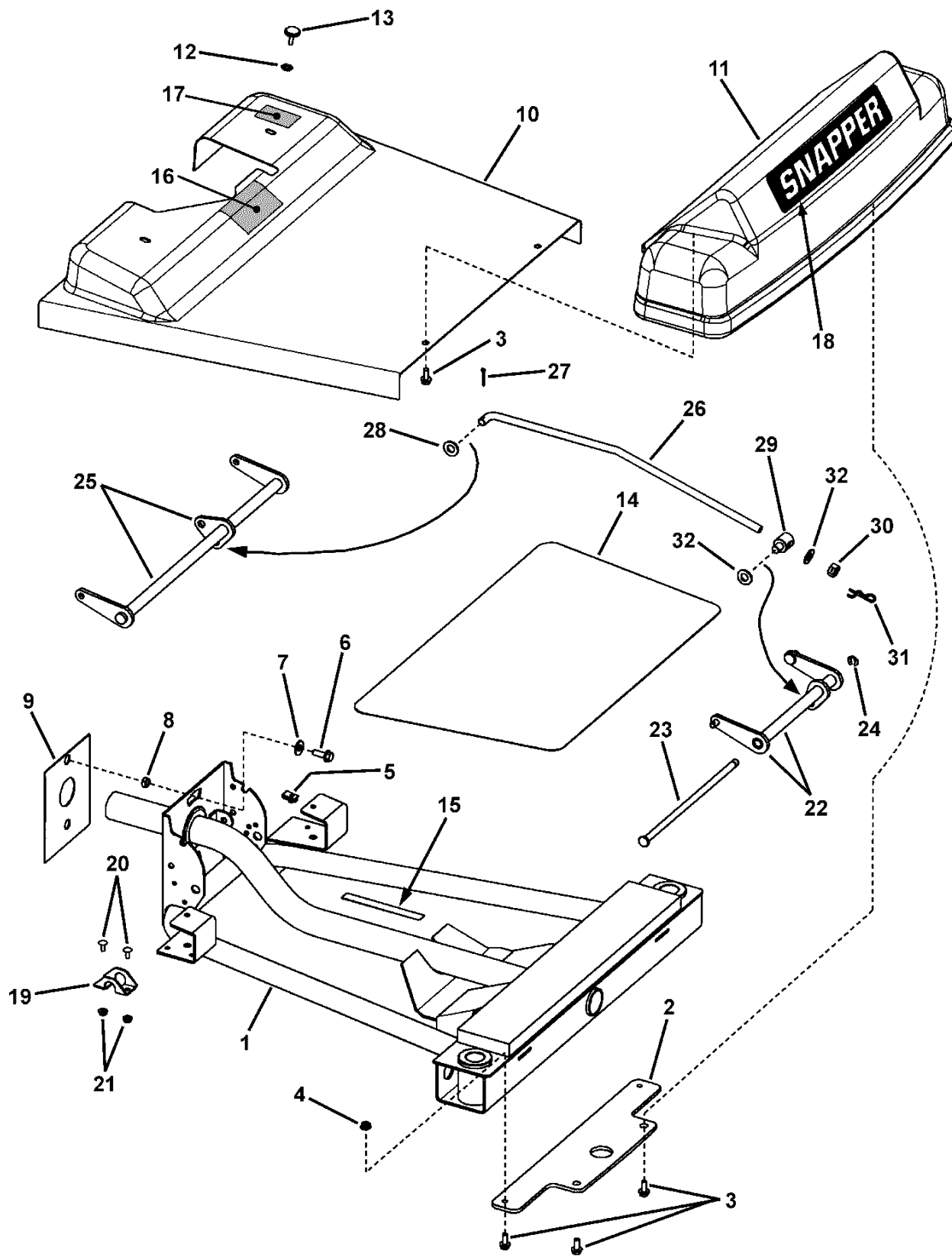


42" FRONT FRAME & COVER ASSEMBLY

Item	Part No	Qty	Description	Note
1	7059380	1	WELDMENT, Front Frame Series 3	
2	7075910	1	PLATE, Footrest Support	
3	7090595	6	BOLT, 5/16-18 x 3/4" Hex Flange Lock	
4	7091601	5	NUT, 5/16-18 Hex Flange Lock, GR5	Was 91070
5	7028260	2	FASTENER, "U" Type	
6	7090324	2	SCREW, 3/8-16 x 1" Hex Washer Self-tap	
7	7090517	2	WASHER, 3/8" FLAT (wide)	
8	7035375	2	SPACER, Front Frame Pivot	
9	7035374	1	PLATE, Front Frame Slip	
10	7075841	1	FLOOR PAN, HOZ	
11	7075219	1	FOOTREST, HOZ	
12	7091890	4	WASHER, 1/4" Internal/External Lock	
13	7023341	2	KNOB (1/4-20 thread)	
14	7075885	1	MAT, Floor	
15	7041818	3	PAD, Floor Board Support	
16	7075993	1	DECAL, Warning, Read Manuals & Instructions	see decal page
17	7046426	1	DECAL, Deck Height	see decal page
18	7071916	1	DECAL, SNAPPER (14.56" long)	

Footnotes:

48" FRONT FRAME & COVER ASSEMBLY

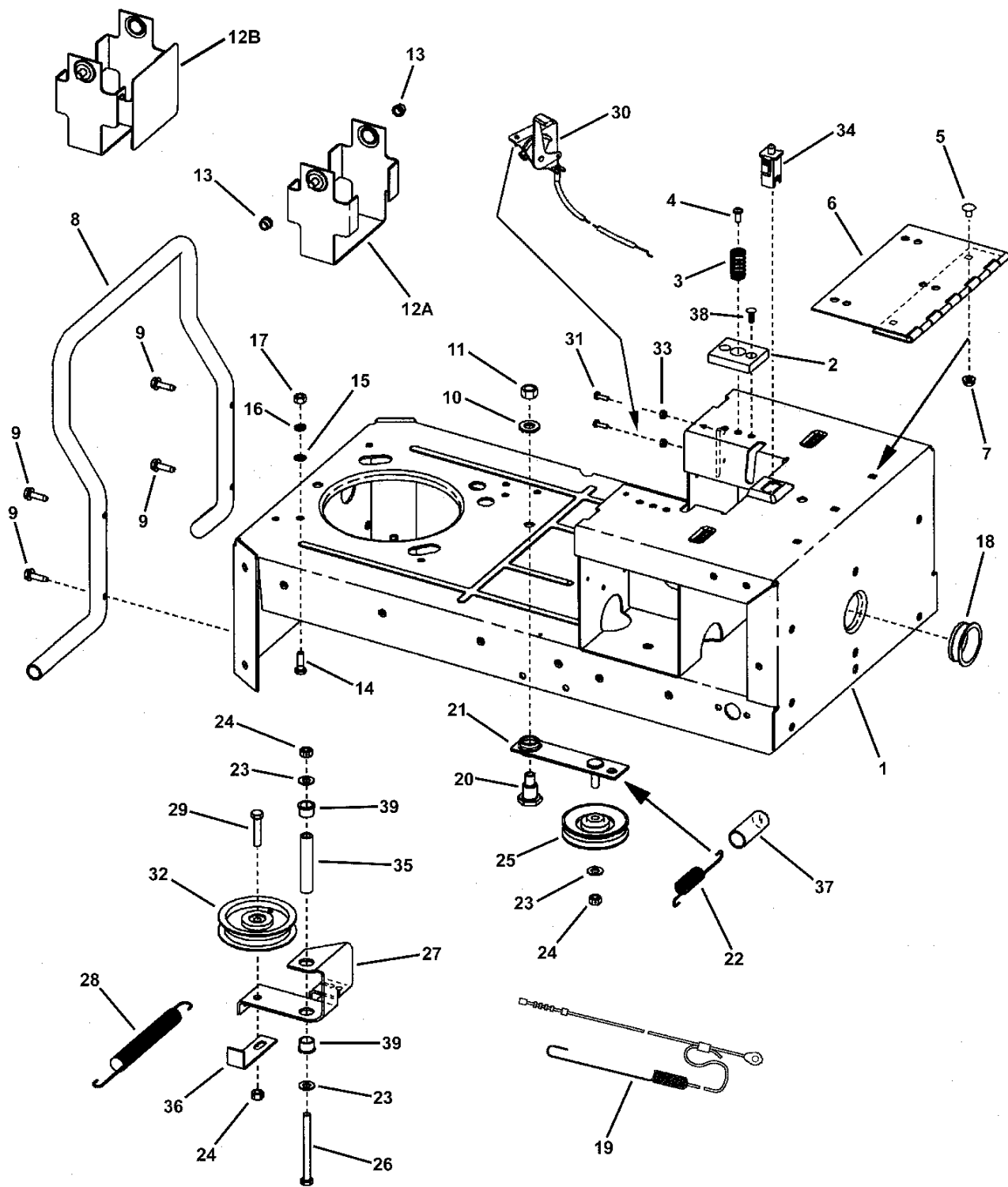


48" FRONT FRAME & COVER ASSEMBLY

Item	Part No	Qty	Description	Note
1	7059380	1	WELDMENT, Front Frame Series 3	
2	7075910	1	PLATE, Footrest Support	
3	7090595	6	BOLT, 5/16-18 x 3/4" Hex Flange Lock	
4	7091601	5	NUT, 5/16-18 Hex Flange Lock, GR5	Was 91070
5	7028260	2	FASTENER, "U" Type	
6	7090324	2	SCREW, 3/8-16 x 1" Hex Washer Self-tap	
7	7090517	2	WASHER, 3/8" FLAT (wide)	
8	7035375	2	SPACER, Front Frame Pivot	
9	7035374	1	PLATE, Front Frame Slip	
10	7075841	1	FLOOR PAN, HOZ	
11	7075219	1	FOOTREST, HOZ	
12	7091890	4	WASHER, 1/4" Internal/External Lock	
13	7023341	2	KNOB (1/4-20 thread)	
14	7075885	1	MAT, Floor	
15	7041818	3	PAD, Floor Board Support	
16	7075993	1	DECAL, Warning, Read Manuals & Instructions	see decal page
17	7046426	1	DECAL, Deck Height	see decal page
18	7071916	1	DECAL, SNAPPER (14.56" long)	
19	7047099	2	BRACKET, Saddle	
20	7091573	4	BOLT, 1/4-20 x 5/8" Short Square Neck Carriage	Was 90551
21	7091584	6	NUT, 1/4-20 Hex Flange Lock	Was 90583
22	7059240	1	WELDMENT, Front Lift, 48	
23	7022717	1	ROD, Deck Support	
24	7017847	1	RING, .438 External Retaining	
25	7047060	1	WELDMENT, Rear Lift	
26	7074256	1	TIMING ROD, 48 (1/2-13 thread)	
27	7091598	1	PIN, 1/8 x 1" Cotter	Was 90041
28	7090667	1	WASHER, 1/2 SAE Flat	
29	7046599	1	SWIVEL, .50 Thru Hole	
30	7091894	1	NUT, 1/2-13 Hex Center Lock, GR5 or B	
31	7091947	1	HAIR PIN, 1/8 x 1/2"	
32	7090250	2	WASHER, 1/2" SAE Flat	

Footnotes:

REAR FRAME ASSEMBLY

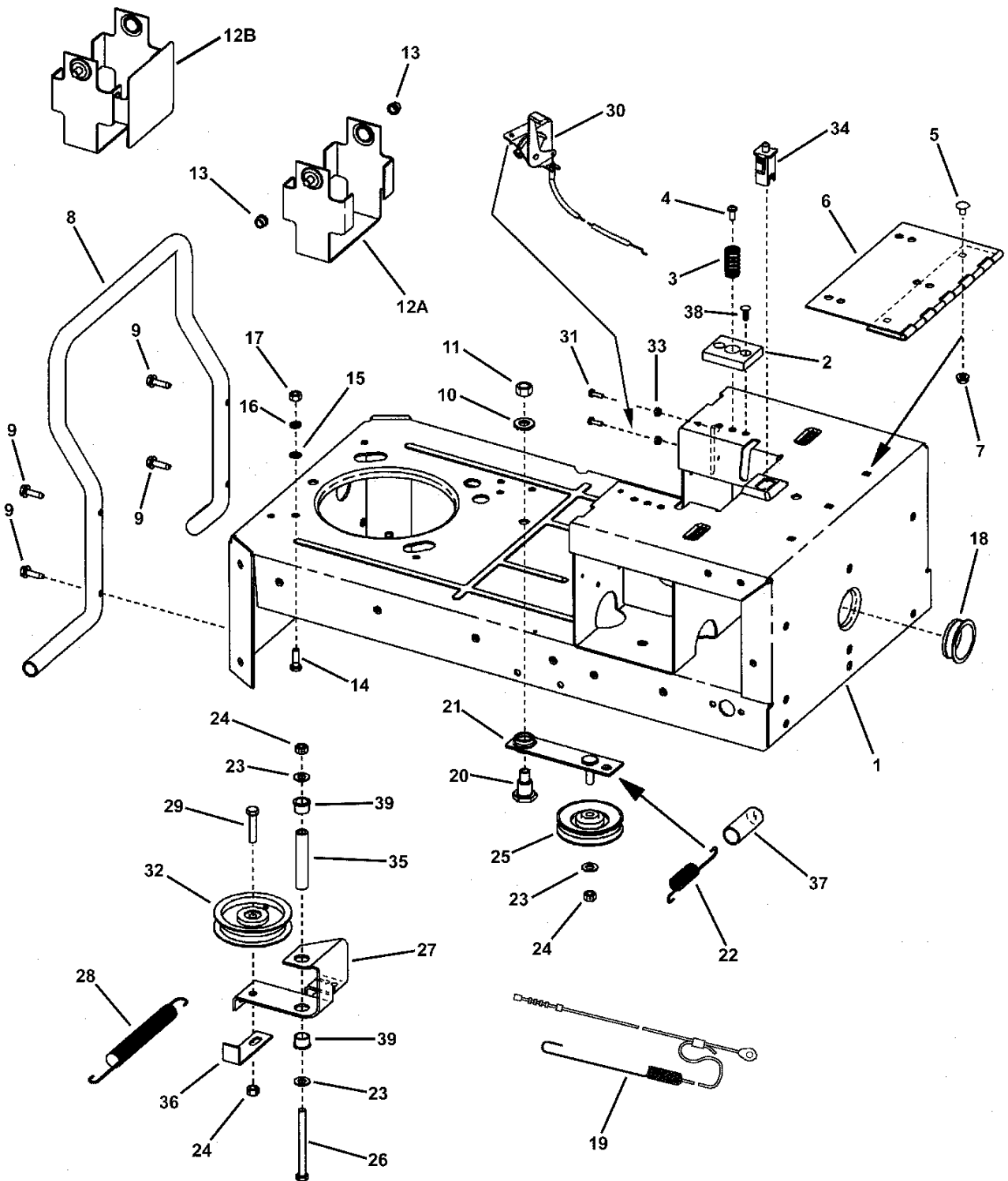


REAR FRAME ASSEMBLY

Item	Part No	Qty	Description	Note
1	7041782	1	WELDMENT, Rear Frame	
2	7035368	2	CUSHION, Seat Support	
3	7035369	2	SPRING, Seat Support	
4	7090999	2	SCREW, 1/4-20 x 5/8" Pan Head Self-Tap (Torx)	
5	7090731	2	BOLT, 5/16-18 x 1/2" Short Neck Carriage, GR5	Was 90004
6	7075630	1	HINGE, Seat	
7	7091601	2	NUT, 5/16-18 Hex Flange Lock, GR5	Was 91070
8	7033587	1	BUMPER, Rear	
9	7091506	4	SCREW, 5/16-18 x 1-1/2" Hex Washer Self-Tap	
10	7091587	1	WASHER, .531 x 1.062 x .121 SAE Flat	
11	7090975	1	NUT, 1/2-13 Hex Center Lock, GR5 or B	
12A	7041793	1	WELDMENT, Battery Bracket	
12B	7058238	1	WELDMENT, Battery Bracket	used on 48" Deck Model only
13	7013321	2	BUSHING, Tie Rod	
14	7090238	4	SCREW, 5/16-24 x 1" Hex Head Cap, GR5	
15	7011791	4	RETAINER, 5/16" Bolt	
16	7091315	4	WASHER, .32 x .58 x .08 Split Lock	
17	7091297	4	NUT, 5/16-24 Hex, GR5 or B	
18	7011033	2	GROMMET	
19	7029464	1	ASSEMBLY, Brake/Clutch Cable	
20	7091730	1	BOLT, 1/2-13 Hex Shoulder	
21	7058728	1	WELDMENT, Idler Arm, Primary	
22	7058692	1	SPRING, Extension- 5" long	
23	7090122	3	WASHER, 3/8" SAE Flat	
24	7091585	2	NUT, 3/8-16 Hex Center Lock, GR5 or B	
25	7024344	1	PULLEY, Idler, V 3.30 HA	
26	7079832	1	BOLT, 3/8-16 x 4" Hex Head Cap, GR5	
27	7034937	1	BRACKET, Hydro Idler	
28	7045168	1	SPRING, Extension, Hydro Idler	
29	7091553	1	SCREW, 3/8-16 x 1-3/4" Hex Head Cap, GR5	
30	7039485	1	CABLE, Hydro Release Valve	
31	7091240	2	SCREW, #10-32 x 5/8" Hex Washer Head Machine	
32	7018574	1	IDLER, 4.12" Outside Diameter, Flat	
33	7090376	2	NUT, #10-32 Hex Nyloc	
34	7022886	1	SWITCH, Seat (NO/NC) Snap-In	also shown on electronic components page
35	7075102	1	SLEEVE, Idler	
36	7034938	1	GUIDE, Belt	

Footnotes:

REAR FRAME ASSEMBLY

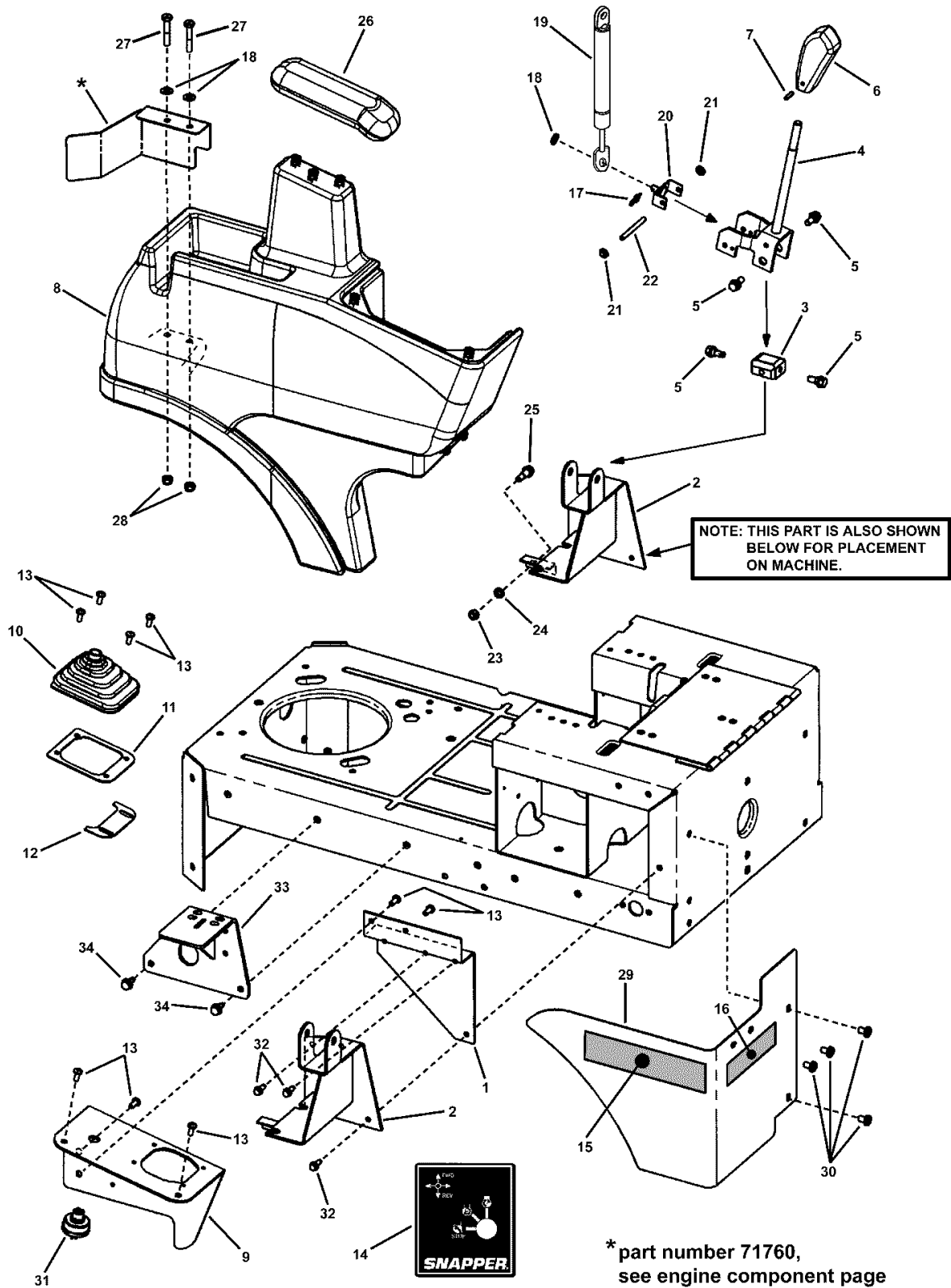


REAR FRAME ASSEMBLY

Item	Part No	Qty	Description	Note
37	7058691	1	COVER-Spring	
38	7091272	4	FASTENER, Ratchet	
39	7043858	2	BUSHING, Flange, .64 x .75 x .5	

Footnotes:

JOYSTICK & OPERATOR SEAT (Part 1)

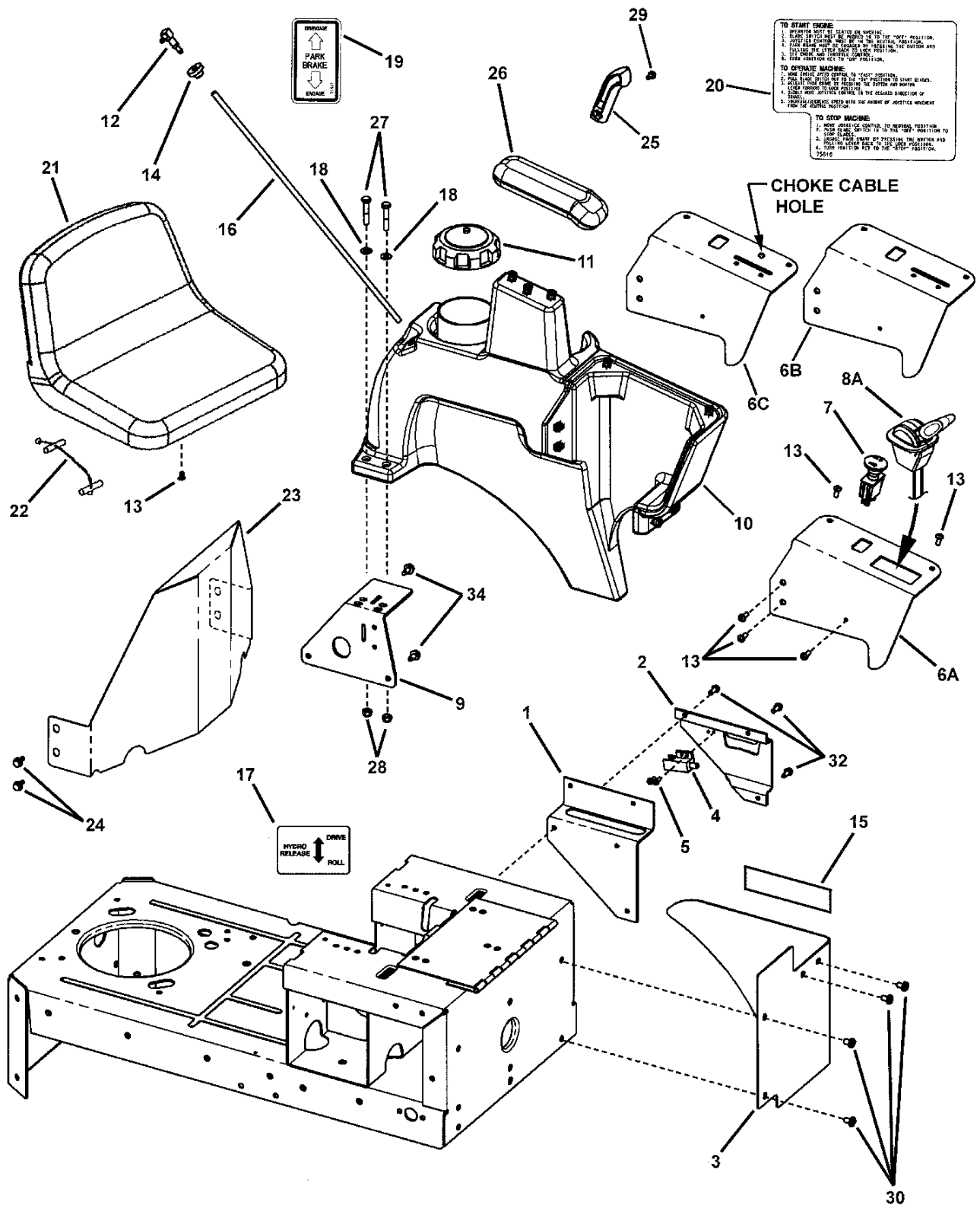


JOYSTICK & OPERATOR SEAT (Part 1)

Item	Part No	Qty	Description	Note
1	7035483	1	BRACKET, R.H. Tank Support	
2	7042637	1	WELDMENT, Bracket, Joystick	
3	7035533	1	PIVOT, Joystick Control	
4	7042636	1	WELDMENT, Handle, Joystick Control	
5	7091800	4	BOLT, 5/16-18 Shoulder, w/Nylon Patch	
6	7023656	1	LEVER, Shift Handle (grip)	
7	7090844	1	ROLL PIN, 3/16 x 3/4"	
8	7058531	1	ASSEMBLY, R.H. Fender	
9	7075612	1	BRACKET, R.H. Console	
10	7035936	1	BOOT, Joystick, Rubber	
11	7046246	1	BRACKET, Joystick Boot	
12	7046494	1	STOP, Joystick	
13	7090999	9	SCREW, 1/4-20 x 5/8" Pan Head Self-Tap (Torx)	
14	7075811	1	DECAL, Ignition Switch	<i>see decal page</i>
15	7075760	1	DECAL, SNAPPER	
16	7034817	1	DECAL, SCRAMBLER	
17	7091593	1	PIN, 3/8 Self Locking Cotter	
18	7090188	3	WASHER, .34 x .69 x .08 Flat	
19	7044717	1	CYLINDER, Joystick Control	
20	7044763	1	WELDMENT, U-Bracket	
21	7091020	2	PUSHNUT, 1/4"	
22	7044702	1	PIN, Joystick	
23	7091511	1	NUT, 5/16-18 Hex, GR5 or B	
24	7091315	1	WASHER, .32 x .58 x .08 Split Lock	
25	7014664	1	BOLT, 5/16-18 x .530" Shoulder	
26	7075617	1	ARM REST, HOZ	
27	7091908	2	SCREW, 5/16-18 x 1-3/4" Hex Head Cap, GR5	
28	7091298	2	NUT, 5/16-18 Hex Nyloc	
29	7075610	1	FENDER, R.H. Lower	
30	7091542	4	SCREW, 5/16-18 x 1/2" Pan Head Self-Tap (Torx)	
31	7026343	1	SWITCH, Ignition (After-fire Solenoid)	<i>also shown on electronic components page</i>
32	7091819	7	SCREW, 1/4-20 x 5/8" Hex Washer Self-Tap	<i>Was 90362</i>
33	7058513	1	WELDMENT, Fender Support	
34	7090361	4	SCREW, 5/16-18 x 5/8" Hex Washer Self-Tap	

Footnotes:

JOYSTICK & OPERATOR SEAT (Part 2)

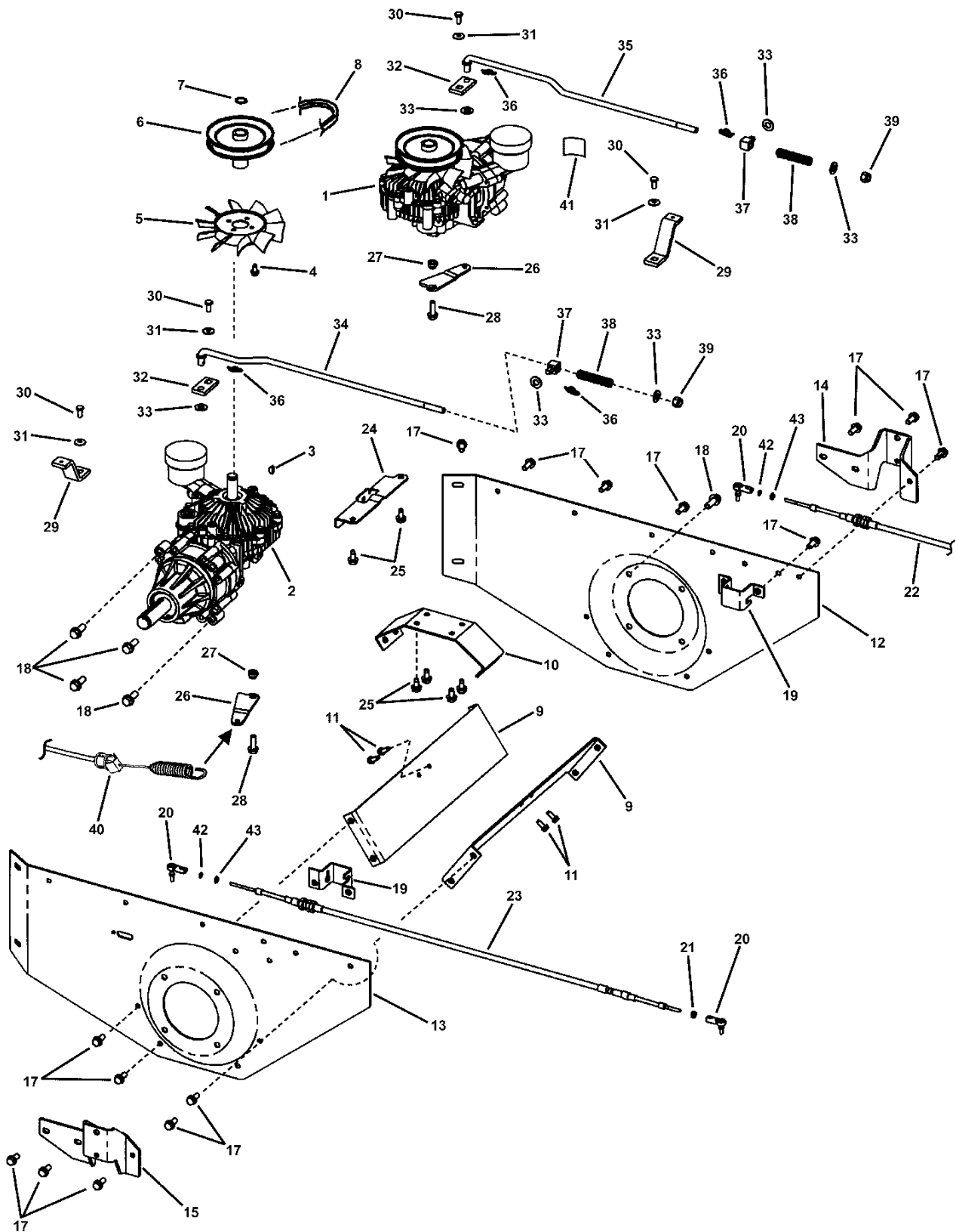


JOYSTICK & OPERATOR SEAT (Part 2)

Item	Part No	Qty	Description	Note
1	7035481	1	BRACKET, L.H. Tank Support	
2	7075629	1	BRACKET, Brake/Clutch Detent	
3	7075609	1	FENDER, L.H. Lower	
4	7023355	1	SWITCH, Park Brake (NC/NO)	<i>also shown on electronic components page</i>
5	7090913	2	SCREW, #10-24 x 1/2" Hex Washer Self-Tap (Torx)	<i>(Torx)</i>
6A	7075611	1	BRACKET, L.H. Console	<i>series 5</i>
6B	7038601	1	BRACKET, L.H. Console	<i>YZ18426BVE</i>
6C	7078034	1	BRACKET, L.H. Console	<i>YZ20486BVE</i>
7	7075884	1	SWITCH, PTO E.C. (Delta Part No. 6201-219)	<i>also shown on electronic components page</i>
8A	7072517	1	CONTROL, Throttle/Choke, Dual Lever	<i>series 5</i>
8B	7028564	1	CONTROL, Throttle	<i>series 6 (not shown)</i>
9	7058511	1	WELDMENT, Fuel Tank Support	
10	7058530	1	ASSEMBLY, Fuel Tank/Left Hand Fender	<i>includes fuel cap (75748), grommet (12337), fitting (74835) & tube (75708)</i>
11	7075748	1	GAS CAP w/Screw Vent	
12	7074835	1	FITTING, Dapco	<i>Dapco part number #11492</i>
13	7090999	6	SCREW, 1/4-20 x 5/8" Pan Head Self-Tap	<i>(Torx)</i>
14	7012337	1	GROMMET	
15	7075760	1	DECAL, SNAPPER	
16	7075708	1	DIP TUBE	
17	7071683	1	DECAL, Hydro Release	<i>see decal page</i>
18	7090188	2	WASHER, .34 x .69 x .08 Flat	
19	7075812	1	DECAL, Park Brake	<i>see decal page</i>
20	7075810	1	DECAL, Operating Instructions	<i>see decal page</i>
21	7044897	1	SEAT, Milsco High Back	
22	7046561	1	TETHER, Seat	
23	7075628	1	HEAT SHIELD, Engine	
24	7090858	4	SCREW, 5/16-18 x 1/2" Hex Washer Self-Tap	
25	7023655	1	LEVER, Throttle Control	<i>series 6</i>
26	7075617	1	ARM REST, HOZ	
27	7091908	2	SCREW, 5/16-18 x 1-3/4" Hex Head Cap, GR 5	
28	7091298	2	NUT, 5/16-18 Hex Nyloc	
29	7071921	1	RIVET, Plastic Snap	<i>series 6</i>
30	7091542	4	SCREW, 5/16-18 x 1/2" Pan Head Self-Tap	<i>(Torx)</i>
32	7091819	3	SCREW, 1/4-20 x 5/8" Hex Washer Self-Tap	<i>Was 90362</i>
34	7090361	2	SCREW, 5/16-18 x 5/8" Hex Washer Self-Tap	

Footnotes:

FENDER & TRANSAXLE ASSEMBLY



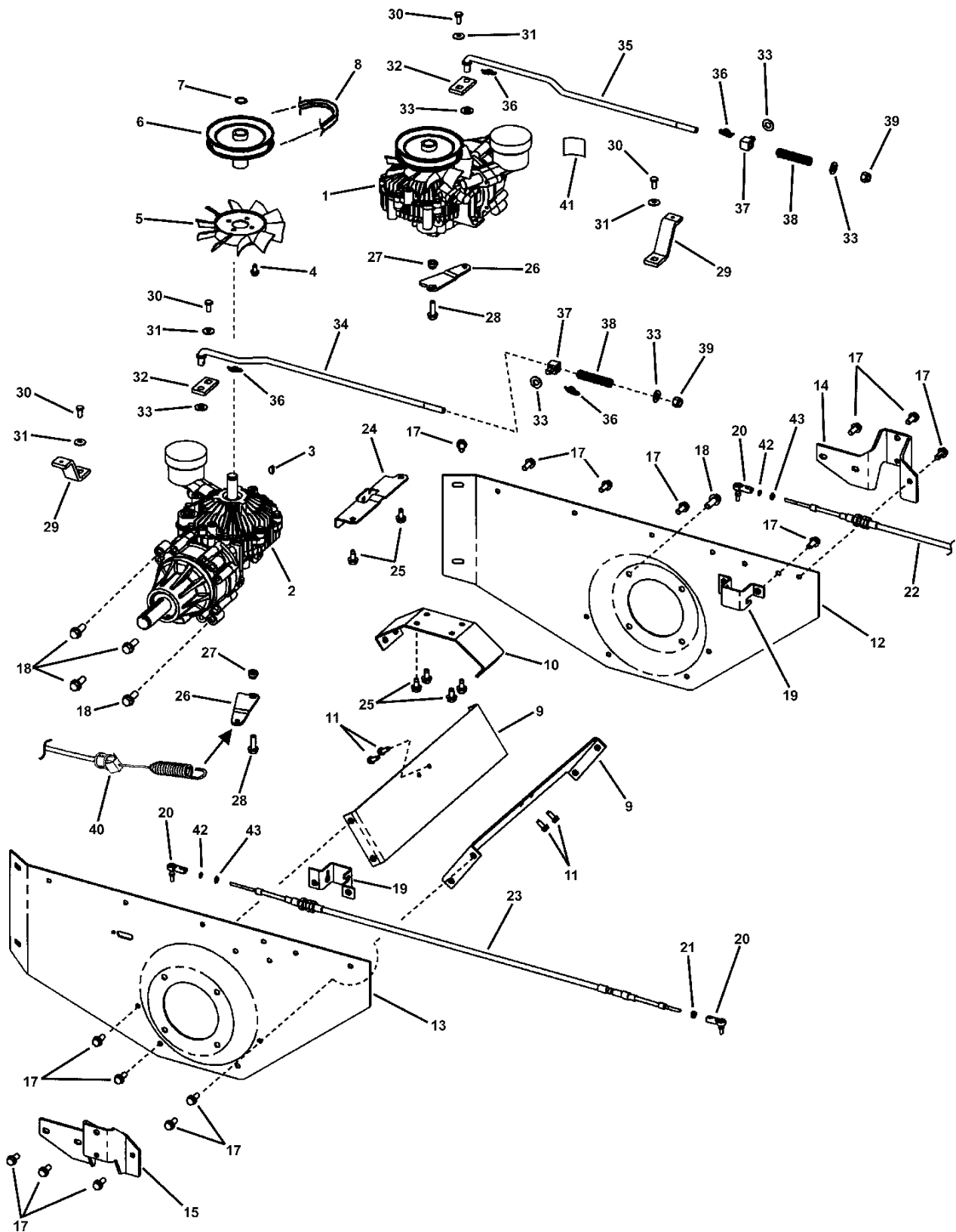
FENDER & TRANSAXLE ASSEMBLY

Item	Part No	Qty	Description	Note
1	7029128	1	TRANSAXLE, Hydro	<i>Eaton Model X778-005</i>
2	7029129	1	TRANSAXLE, Hydro w/o Manifold R.H.	<i>Eaton Model X778-011</i>
3	7015894	2	KEY, #605 Woodruff	
4	7091122	8	SCREW, 1/4-20 x 1/2" Hex Washer Self-Tap	<i>Was 90539</i>
5	7035337	2	FAN, 6" O.D., 10 Blade	
6	7035336	2	PULLEY, Hydro Input	
7	7091771	2	RING, RR3100-66 External Retaining	
8	7041823	1	V-BELT, HA Sect. 42.00" effective length	<i>Hydro Drive</i>
9	7034915	2	BRACKET, Support, Fender	
10	7034916	1	BRACKET, Support, Hydro	
11	7091819	4	SCREW, 1/4-20 x 5/8" Hex Washer Self-Tap	<i>Was 90362</i>
12	7034909	1	FENDER, Rear Frame, Left Hand	
13	7034908	1	FENDER, Rear Frame, Right Hand	
14	7034917	1	BRACKET, Deck Support, Left Rear	
15	7035424	1	BRACKET, Deck Support, Right Rear	
17	7091541	26	SCREW, 5/16-18 x 3/4" Hex Washer Self-Tap	<i>Was 90368</i>
18	7090324	8	SCREW, 3/8-16 x 1" Hex Washer Self-tap	
19	7034922	2	BRACKET, Control Cable, Hydro	
20	7029147	4	ROD END, #10-32 w/Stud	
21	7091801	4	NUT, #10-32 Hex Center Lock	
22	7029170	1	CABLE, L.H. Hydraulic Control (45.5" long)	
23	7029169	1	CABLE, R.H. Hydraulic Control (35.0" long)	
24	7039484	1	BRACKET, Cable, Hydro Release Valve	
25	7090361	2	SCREW, 5/16-18 x 5/8" Hex Washer Self-Tap	
26	7039483	2	BRACKET, Actuator, Hydro Release Valve	
27	7012114	2	BUSHING, Differential Link, Powdered Metal	
28	7091841	2	SCREW, 5/16-18 x 1" Hex Washer Self-Tap, GR 5	
29	7034913	2	ARM, Directional Control	
30	7091165	4	BOLT, 1/4-28 x 5/8" w/Nyloc Patch, GR 8	
31	7090746	4	WASHER, 1/4" Belleville	
32	7034914	2	ARM, Brake	
33	7090122	6	WASHER, 3/8" Flat	<i>Was 91514</i>
34	7029284	1	ROD, Brake, R.H.	
35	7029142	1	ROD, Brake, L.H.	
36	7091594	2	COTTER-PIN, 1/16" x 1.42" Self-Locking	<i>Was 24874</i>
37	7024586	2	SWIVEL, Brake Link- PM	

Footnotes:

NOTE: Use Mobil 1 DTE 26 oil for hydro transaxle.

FENDER & TRANSAXLE ASSEMBLY



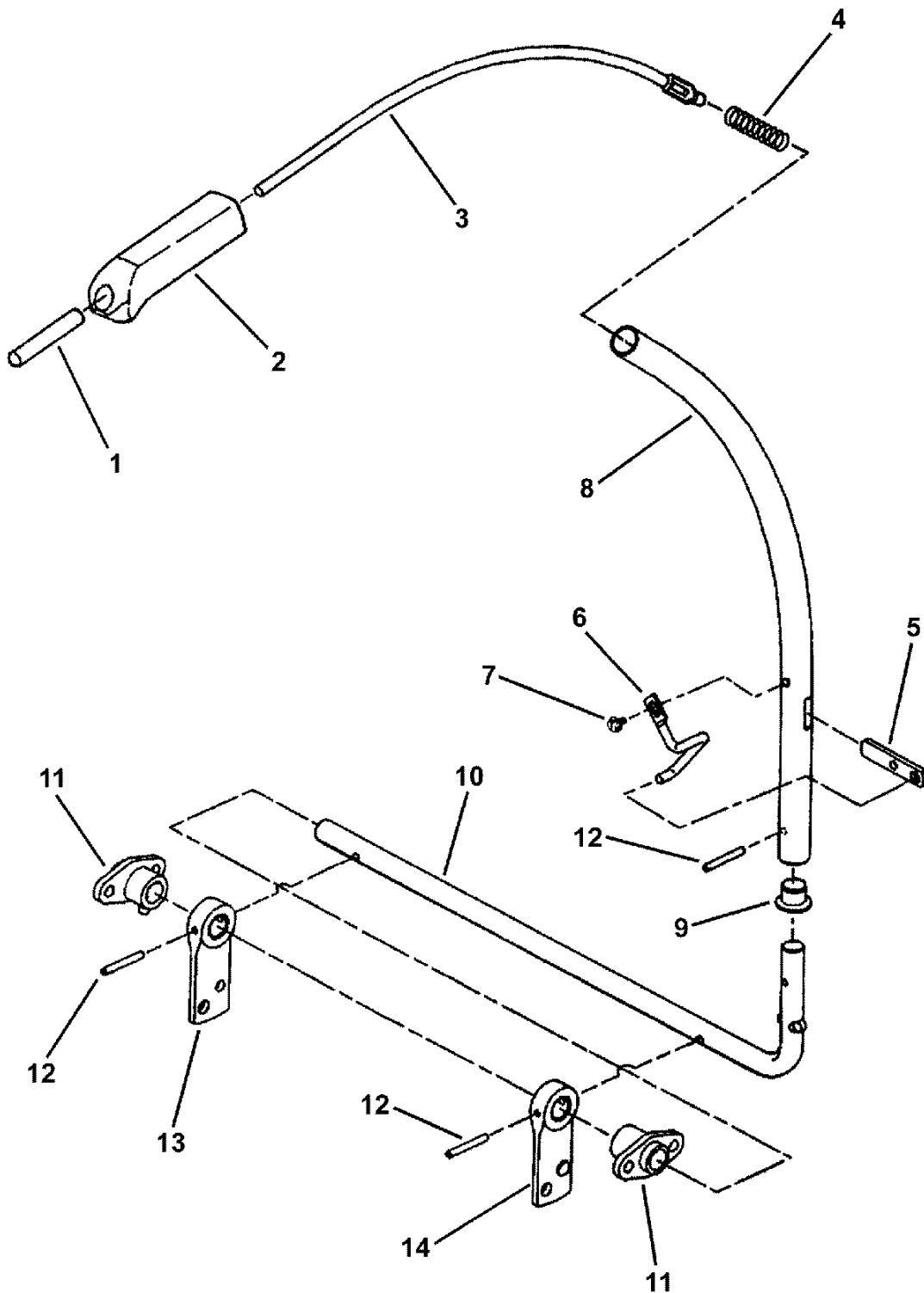
FENDER & TRANSAXLE ASSEMBLY

Item	Part No	Qty	Description	Note
38	7074511	2	SPRING, Brake Compression	
39	7091299	2	NUT, 3/8-16 Hex Nyloc	
40	7039485	1	CABLE, Hydro Release Valve	
41	7044767	1	DECAL, Hydro Reservoir	<i>see decal page</i>
42	7090011	2	WASHER, #10, Internal Tooth Lock	
43	7090013	3	NUT, #10-32, Hex	

Footnotes:

NOTE: Use Mobil 1 DTE 26 oil for hydro transaxle.

BRAKE/CLUTCH LEVER ASSEMBLY

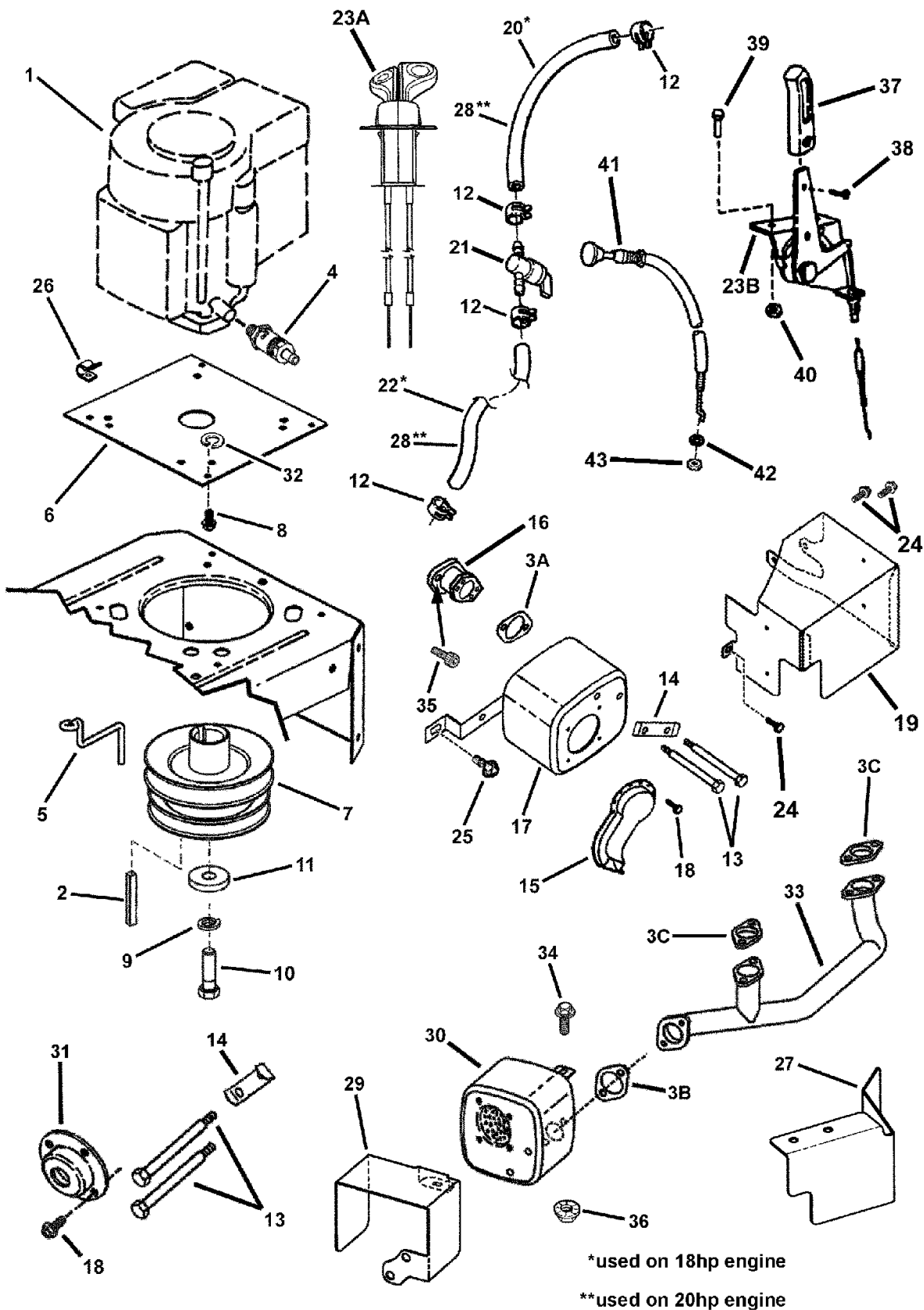


BRAKE/CLUTCH LEVER ASSEMBLY

Item	Part No	Qty	Description	Note
1	7023801	1	GRIP, 5/16 x 2-1/2" Vinyl	<i>Was 29383</i>
2	7035945	1	GRIP, Brake/Clutch Handle	
3	7075527	1	ROD, Park Brake	<i>36" arc radius (replaces 35479 & 58542)</i>
4	7035946	1	SPRING, Clutch/Brake Release	
5	7035485	1	ARM, Brake/Clutch Lever	
6	7035484	1	PIVOT, Brake/Clutch Lever	
7	7091084	1	SCREW, 1/4-20 x 3/8" Hex Washer Self-Tap	<i>Was 91293</i>
8	7075528	1	TUBE, Clutch/Brake Lever	<i>35.99" arc radius (replaces 58541)</i>
9	7010694	1	BUSHING, Nylon	
10	7029207	1	ROD, Clutch/Brake	
11	7052431	2	ASSEMBLY, Foot Shaft Pivot	<i>weldment with grease fitting, 13864</i>
12	7090841	3	PIN, 3/16 x 1-1/2" Roll	
13	7029208	1	ARM, Brake/Clutch	
14	7042614	1	WELDMENT, Brake/Clutch Arm	

Footnotes:

ENGINE COMPONENTS



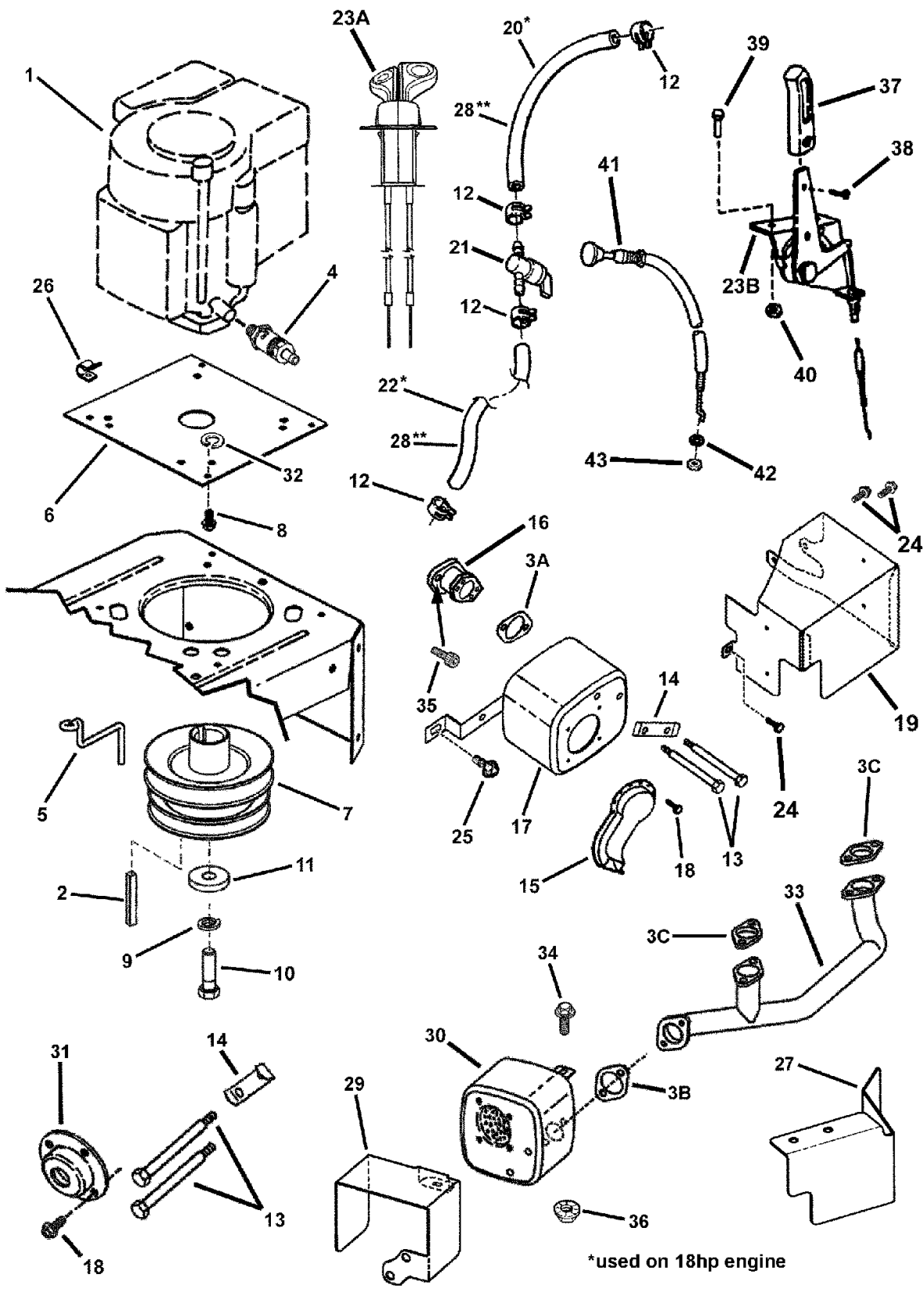
ENGINE COMPONENTS

Item	Part No	Qty	Description	Note
1	--	1	ENGINE, 18 HP Briggs Intek	<i>Mod 31H777, Type 0115, Trim E1 (series 5)</i>
--	--	1	ENGINE, 18 HP Briggs Intek	<i>Mod 31H777, Type 0117, Trim E1 (series 6)</i>
2	7010210	1	KEY, 1/4" Square x 2"	
3A	7015352	2	GASKET, Exhaust (18 HP)	<i>1.25" I.D. Hole; mat'l graphite</i>
3B	7014509	1	GASKET, Exhaust (20 HP)	<i>1.18" I.D. Hole; mat'l graphite</i>
3C	7063283	1	GASKET, 20 HP Intec	<i>1.00" I.D. Hole</i>
4	7027972	1	ASSEMBLY, Oil Valve	
5	7035362	1	GUIDE, Engine Belt	
6	7036389	1	PLATE, Engine	
7	7041822	1	PULLEY, Engine	<i>series 5 (bottom pulley 4.25 O.D.)</i>
--	7040706	1	PULLEY, Engine	<i>series 6 (bottom pulley 4.75 O.D.)</i>
8	7090324	4	SCREW, 3/8-16 x 1" Hex Washer Self-tap	<i>engine mounting bolts</i>
9	7091301	1	WASHER, 7/16 Split Lock	
10	7091763	1	SCREW, 7/16-20 x 1-1/2" Hex Head Cap, GR 5	
11	7091807	1	WASHER, .468 x 1.38 x .25 Flat (special)	
12	7029900	4	HOSE CLAMP, .490 x .31	<i>or 12222</i>
13	7024161	2	BOLT, 5/16-18 x 4" Shoulder	
14	7024566	1	SCREW LOCK	
15	7041537	1	DEFLECTOR, Muffler	
16	7071756	1	ADAPTER, Muffler	<i>Briggs part no. 695766</i>
17	7074826	1	MUFFLER, 14.5HP B&S Engine	<i>Nelson part no. 25482D</i>
18	7091581	3	SCREW, #8-18 x 1/2" Hex Head Sheet Metal	
19	7044824	1	HEAT SHIELD, Muffler- 17HP B&S Intek	<i>series 5</i>
--	7041340	1	HEAT SHIELD, Muffler- B&S	<i>series 6</i>
20	7029982	1	HOSE, Fuel, 1/4 I.D. x 14" long	
21	7016325	1	VALVE, Fuel	
22	7012638	1	HOSE, Fuel, 12-1/2" long	<i>Was 12912</i>
23A	7072517	1	CONTROL, Throttle/Choke, Dual Lever	<i>series 5</i>
23B	7028564	1	CONTROL, Throttle	<i>series 6</i>
24	7091122	3	SCREW, 1/4-20 x 1/2" Hex Washer Self-Tap	<i>Was 90539</i>
25	7090606	1	BOLT, 5/16-18 x 5/8" Hex Flange Lock, GR 5	<i>Was 91510</i>
26	7015861	1	HARNESS CLIP (vinyl covered)	
27	7071760	1	HEAT SHIELD	
28	7076272	2	HOSE, Fuel, 1/4 I.D. x 8-1/2" long	<i>used on 20 HP Engine</i>
29	7071756	1	HEAT SHIELD, Muffler, V-Twin	<i>used on 48" deck only</i>
30	7024241	1	MUFFLER, B&S 16HP	<i>used on 20 HP engine; Briggs p/n 394151</i>
31	7026778	1	DEFLECTOR, Direct Out	<i>used with muffler 24241</i>

Footnotes:

NOTE: Purchase engine parts from engine manufacturer dealer.

ENGINE COMPONENTS



*used on 18hp engine

**used on 20hp engine

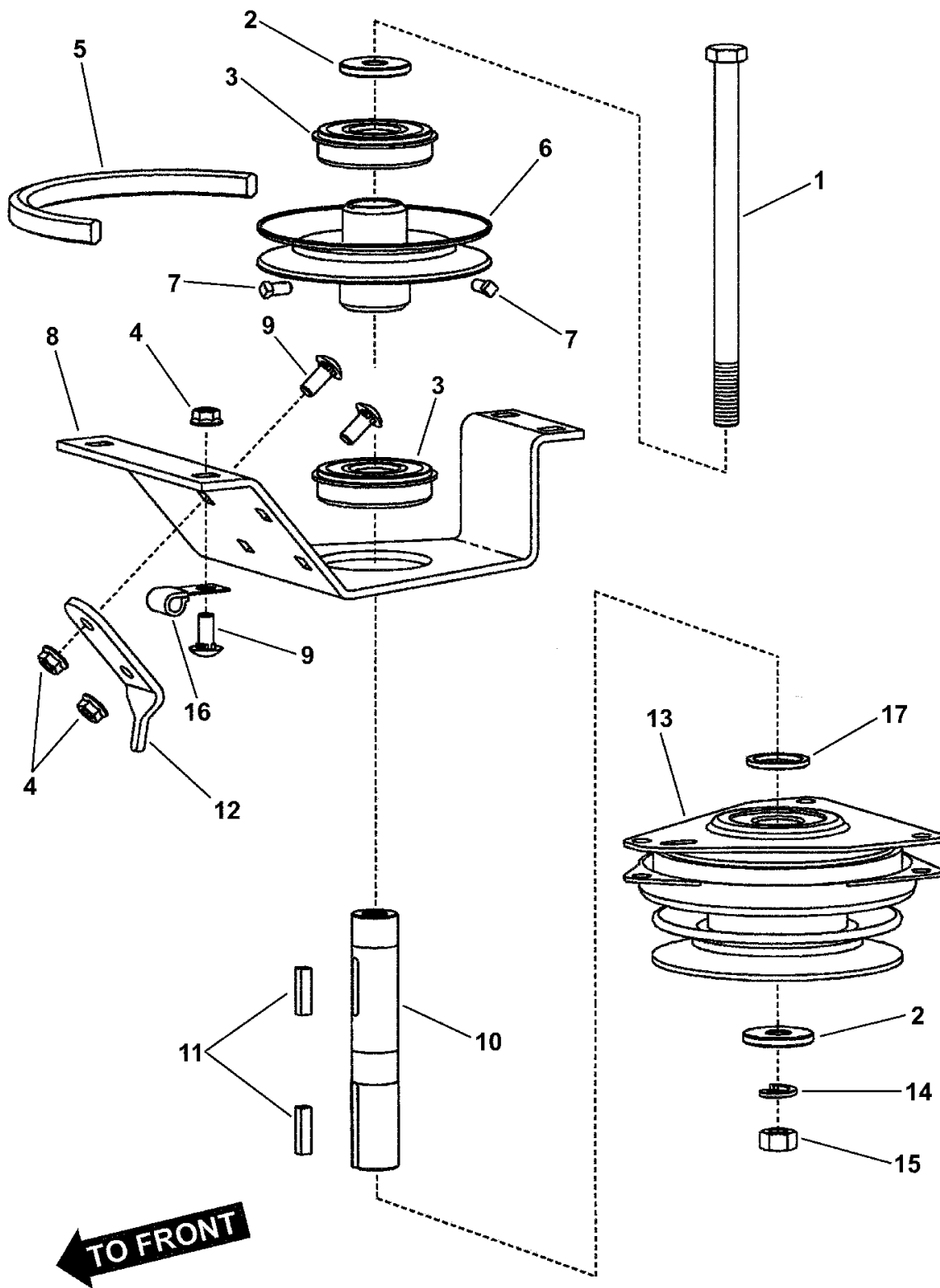
ENGINE COMPONENTS

Item	Part No	Qty	Description	Note
32	7092025	4	WASHER, M8 Split Lock	
33	7040000	1	MANIFOLD, 20 HP Intec	
34	7091579	1	SCREW, 1/4-20 x 1/2" Hex Flange Lock, GR 5	
35	7091738	2	SCREW, 5/16-18 x 3/4" Socket Head Cap, GR 8	
36	7091584	3	NUT, 1/4-20 Hex Flange Lock, GR 5	
37	7023655	1	LEVER, Throttle Control	<i>series 6</i>
38	7071921	1	RIVET, Plastic Snap	<i>series 6</i>
39	7091240	2	SCREW, #10-32 x 5/8" Hex Washer Head Machine	<i>series 6</i>
40	7090376	2	NUT, #10-32 Hex Nyloc	<i>series 6</i>
41	7063252	1	CONTROL, Choke	
42	7090390	1	WASHER, 3/8" Internal Tooth Lock	
43	7091630	1	NUT, 3/8-24 Hex	<i>Was 90155</i>

Footnotes:

NOTE: Purchase engine parts from engine manufacturer dealer.

CLUTCH ASSEMBLY

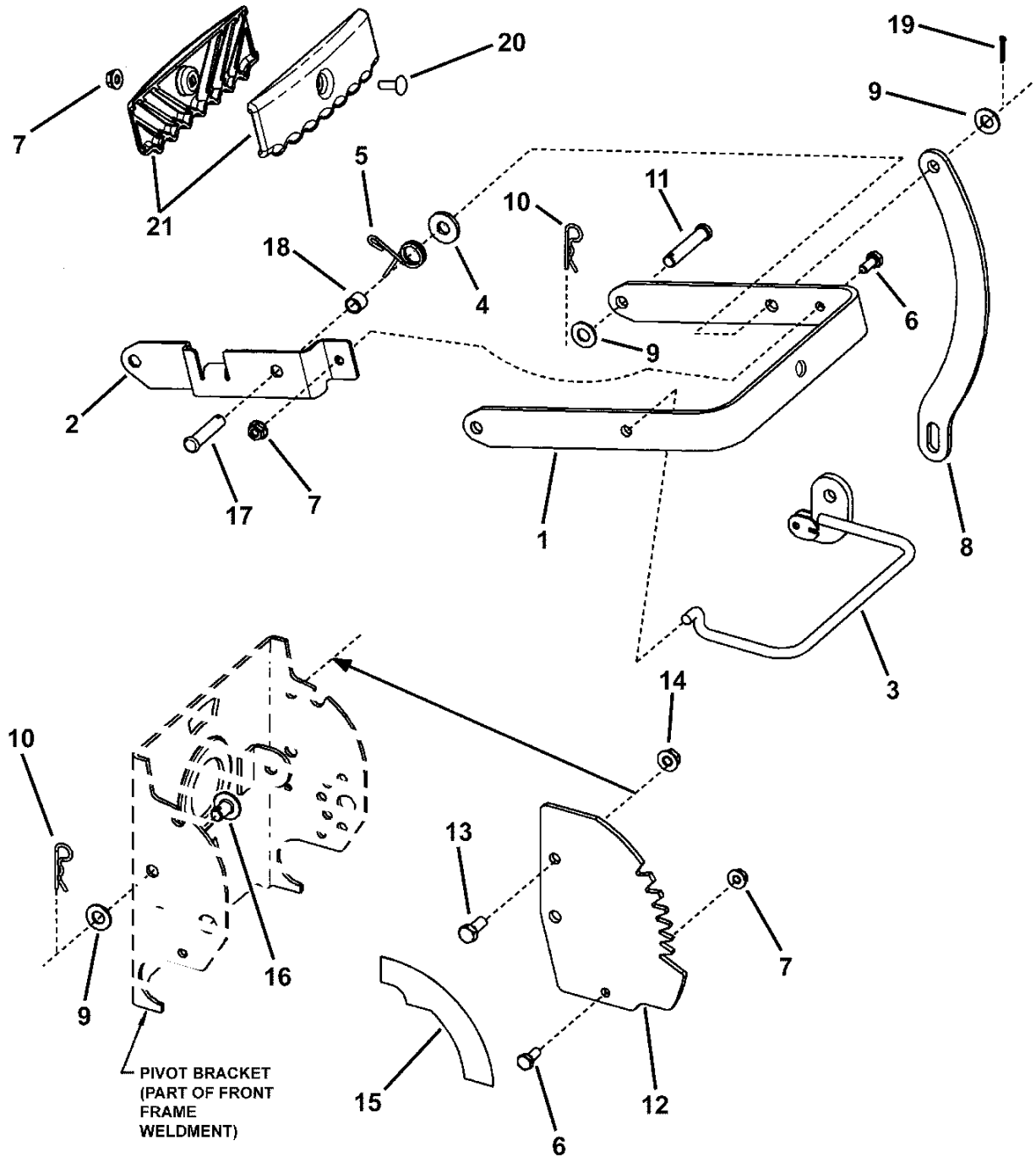


CLUTCH ASSEMBLY

Item	Part No	Qty	Description	Note
1	7091735	1	BOLT, 7/16-20 x 8" Hex Head, GR 5	
2	7029138	2	WASHER, .468 I.D. x 1.50 O.D. x .188 Flat	
3	7029136	2	BEARING, 6305 w/Snap Ring	
4	7091601	6	NUT, 5/16-18 Hex Flange Lock, GR 5	<i>Was 91070</i>
5	7029117	1	V-BELT, 5L Sect. Cog, 50.170" effective length	<i>Primary Drive 42" Deck (Dayco #46-0364)</i>
--	7046997	1	V-BELT, 5L Sect. Cog, 49.44" eff. Length- 48" Deck	<i>Primary Drive 48" Deck</i>
6	7029107	1	PULLEY, Jackshaft	<i>used on 42" Deck Models</i>
--	7046892	1	PULLEY, Jackshaft	<i>used on 48" Deck Models</i>
7	7091829	2	SCREW, 1/4-20 x 1/2" Set w/Patch	
8	7063269	1	SUPPORT, Jackshaft- TG 2000	
9	7091508	6	BOLT, 5/16-18 x 3/4" Short Neck Carriage, GR 5	
10	7029135	1	JACKSHAFT	
11	7013250	2	KEY, 1/4" Square x 1"	<i>qty. 1 on 38" units</i>
12	7063248	1	BRACKET, Anti-Rotation- TG-2000	<i>used on 33" units</i>
13	7063246	1	CLUTCH, Warner TG-2000 (12V)	
14	7091301	1	WASHER, 7/16" Split Lock	
15	7090460	1	NUT, 7/16-20 Hex, GR 5 or B	
16	7012652	1	WIRE CLIP 7/16", Vinyl Covered	
17	7063247	1	SPACER, Jackshaft, Warner Clutch	

Footnotes:

42" DECK LIFT HANDLE ASSEMBLY

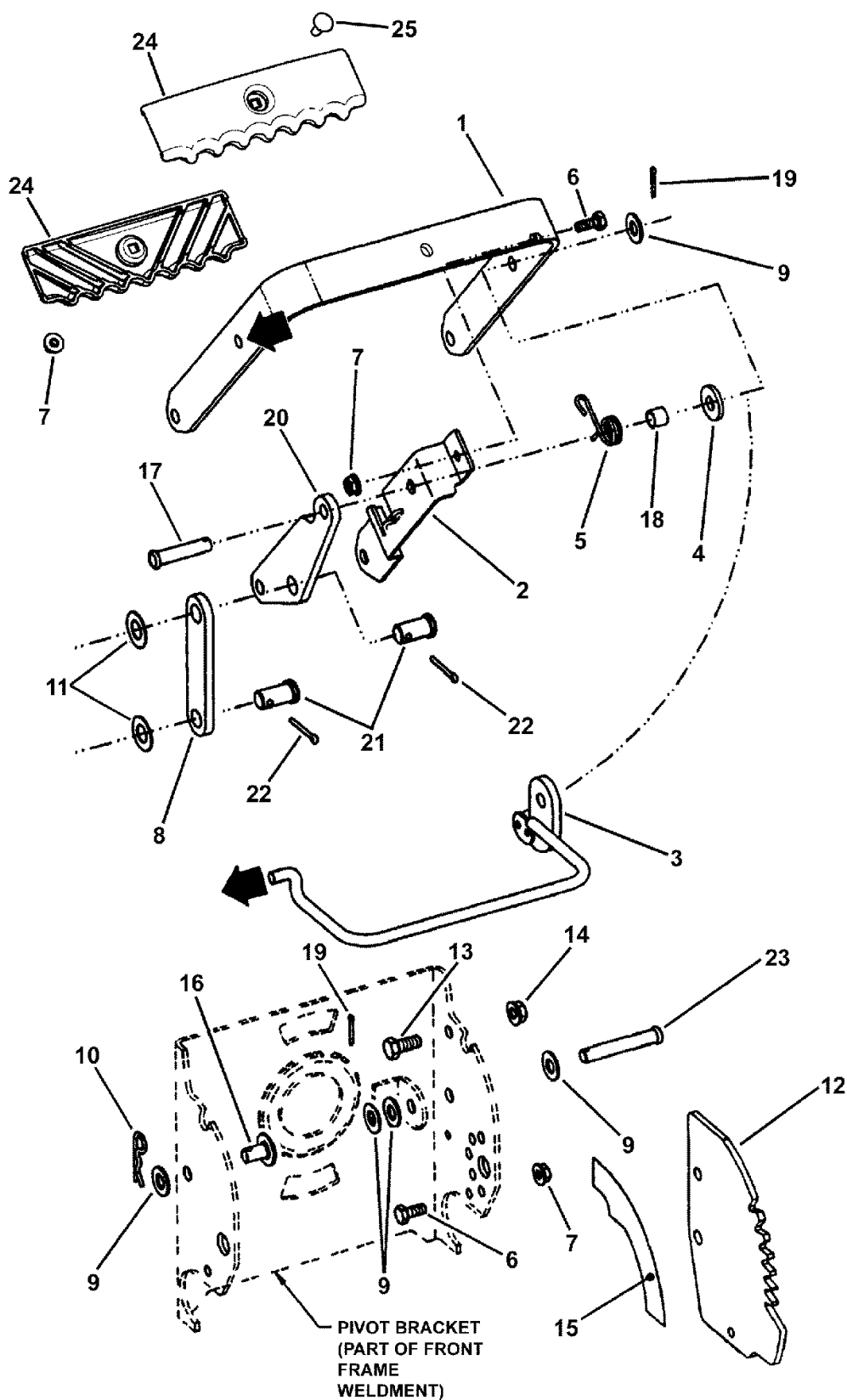


42" DECK LIFT HANDLE ASSEMBLY

Item	Part No	Qty	Description	Note
1	7041924	1	HANDLE, Deck Lift	
2	7041925	1	BRACKET, Pivot Support	
3	7058090	1	WELDMENT, Deck Lift Handle	
4	7029040	1	WASHER - Slipper	
5	7046489	1	SPRING, Torsion	
6	7090072	2	SCREW, 1/4-20 x 5/8" Hex Head Cap, GR5	
7	7091584	3	NUT, 1/4-20 Hex Flange Lock	Was 90583
8	7035489	1	BAR, Deck Lift	
9	7090122	3	WASHER, 3/8" SAE Flat	
10	7091503	2	HAIR PIN, 3/32 x 1-1/2"	
11	7013996	1	PIN, 3/8 x 2" Clevis	
12	7058077	1	DETENT, Lift Handle	
13	7091318	1	SCREW, 5/16-18 x 3/4" Hex Head Cap, GR5	
14	7091601	1	NUT, 5/16-18 Hex Flange Lock, GR5	Was 91070
15	7046457	1	DECAL, Deck Position	
16	7091887	1	PIN.38 x .5 Large Head Clevis	
17	7046491	1	PIN, 3/8 x 1-5/8" Clevis	
18	7046490	1	SPACER, Deck Lift	
19	7091597	1	PIN, 3/32 x 3/4" Cotter	
20	7091530	1	BOLT, 1/4-20 x 3/4 Short Neck Carriage, GR5	
21	7074768	2	GRIP, Deck Lift	

Footnotes:

48" DECK LIFT HANDLE ASSEMBLY

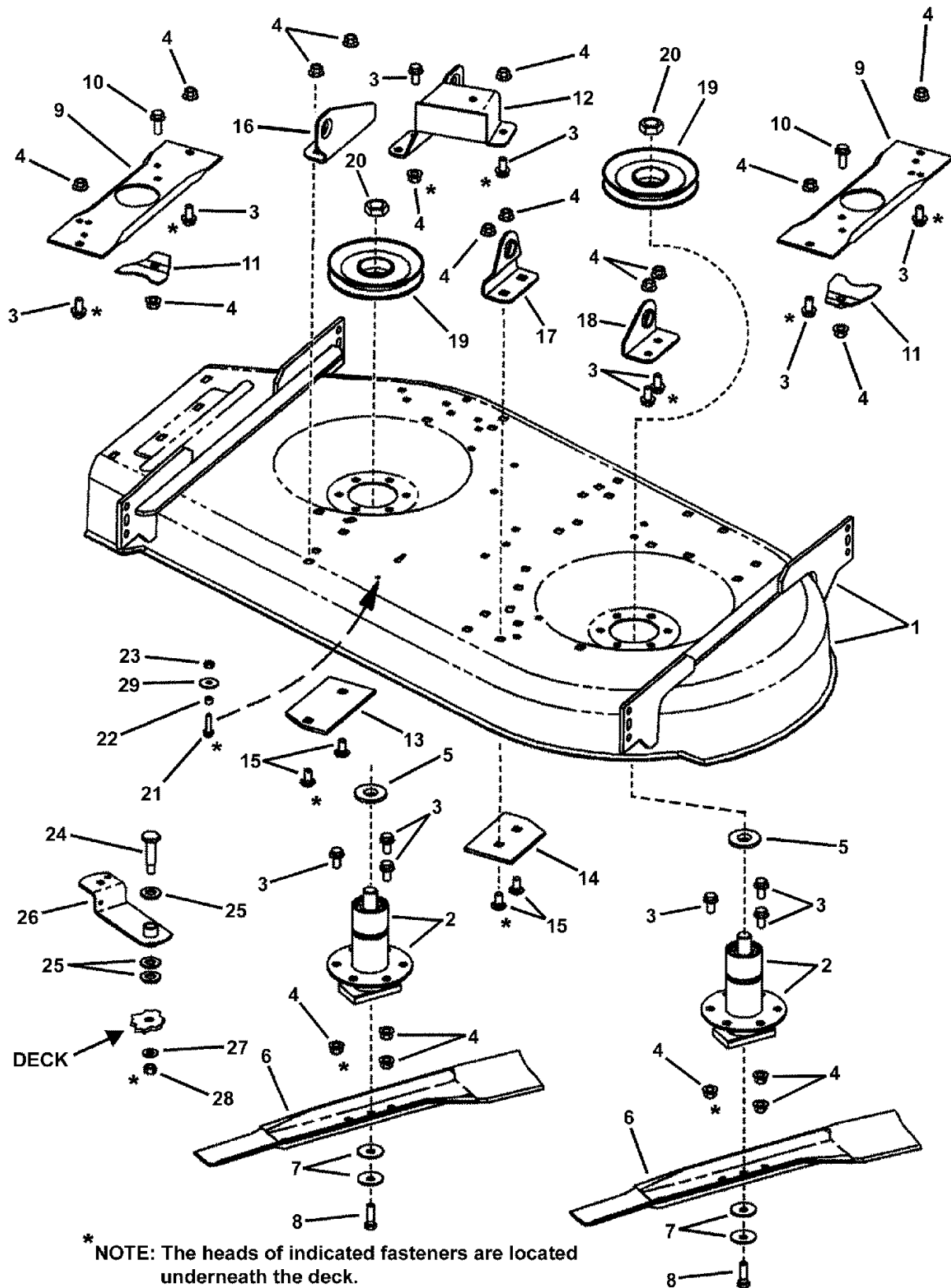


48" DECK LIFT HANDLE ASSEMBLY

Item	Part No	Qty	Description	Note
1	7041924	1	HANDLE, Deck Lift	
2	7041925	1	BRACKET, Pivot Support	
3	7058090	1	WELDMENT, Deck Lift Handle	
4	7029040	1	WASHER - Slipper	
5	7046489	1	SPRING, Torsion	
6	7090072	2	SCREW, 1/4-20 x 5/8" Hex Head Cap, GR5	
7	7091584	2	NUT, 1/4-20 Hex Flange Lock	Was 90583
8	7047066	1	LINK, Connector	
9	7090122	5	WASHER, 3/8" SAE Flat	
10	7091503	2	HAIR PIN, 3/32 x 1-1/2"	
11	7090667	2	WASHER, 1/2" SAE Flat	
12	7058077	1	DETENT, Lift Handle	
13	7091318	1	SCREW, 5/16-18 x 3/4" Hex Head Cap, GR5	
14	7091601	1	NUT, 5/16-18 Hex Flange Lock, GR5	Was 91070
15	7046457	1	DECAL, Deck Position	
16	7091887	1	PIN, .38 x .5 Large Head Clevis	
17	7046491	1	PIN, 3/8 x 1-5/8" Clevis	
18	7046490	1	SPACER, Deck Lift	
19	7091597	2	PIN, 3/32 x 3/4" Cotter	
20	7047067	1	PLATE, Connector Arm	
21	7091948	2	PIN, 1/2 x .725 Clevis	
22	7091598	2	PIN, 1/8 x 1" Cotter	Was 90041
23	7013996	1	PIN, 3/8 x 2" Clevis	
24	7074768	2	GRIP, Deck Lift	
25	7091530	1	BOLT, 1/4-20 x 3/4 Short Neck Carriage, GR5	

Footnotes:

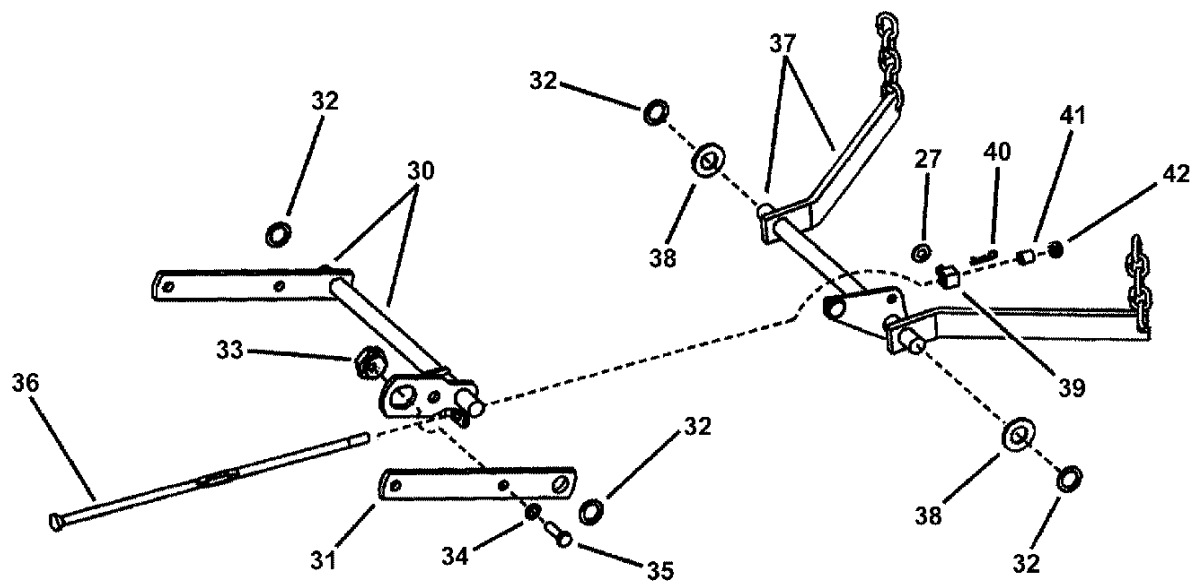
42" MOWER DECK ASSEMBLY (Part 1)



42" MOWER DECK ASSEMBLY (Part 1)

Item	Part No	Qty	Description	Note
1	7061958	1	* DECK, 42" Replacement	
2	7051914	2	ASSEMBLY, Spindle Brake	Was 59723
3	7091588	14	BOLT, 3/8-16 x 3/4" Hex Flange Lock, GR5	Was 90612
4	7091619	18	NUT, 3/8-16 Hex Flange Lock	Was 90613
5	7014407	2	WASHER, Spindle	
6	7026691	2	BLADE, 21 Inch Standard Lift	
7	7012063	5	WASHER, Cone	
8	7090824	2	SCREW, 3/8-24 x 1-1/4" Hex Head Cap, GR5	
9	7033366	2	BRACE, Spindle	
10	7027198	2	BOLT, 3/8-16 x 1" Hex Flange Lock	
11	7051747	2	ASSEMBLY, Spindle Lock (press fit)	
12	7044651	1	WELDMENT, Stationary Idler	
13	7042811	1	REINFORCEMENT, Right Hand	
14	7042812	1	REINFORCEMENT, Left Hand	
15	7091547	4	BOLT, 3/8-16 x 3/4" Short Neck Carriage	Was 90850
16	7035982	1	BRACKET, Right Front Deck Lift	
17	7035983	1	BRACKET, Left Front Deck Lift	
18	7035985	1	BRACKET, Left Rear DeckLift	
19	7036437	2	PULLEY, 5-1/4"	
20	7074467	2	NUT, 3/4-16 Hex Jam, GR 8	
21	7090872	1	BOLT, 1/4-20 x 1-1/8" Hex Flange Lock, GR5	
22	7010916	1	SPACER, .26 x .375	
23	7090372	1	NUT, 1/4 - 20 Hex Center Lock (replaces 91099)	
24	7091526	1	BOLT, 3/8-24 x .62 Shoulder	
25	7091587	1	WASHER, .531 x 1.062 x .121 SAE Flat	
26	7042650	1	WELDMENT, Idler Arm	
27	7090122	2	WASHER, 3/8" SAE Flat	
28	7090289	1	NUT, 3/8-24 Hex Center Lock	
29	7014241	1	WASHER, .27 x 1.0 x .065 Flat	

Footnotes:

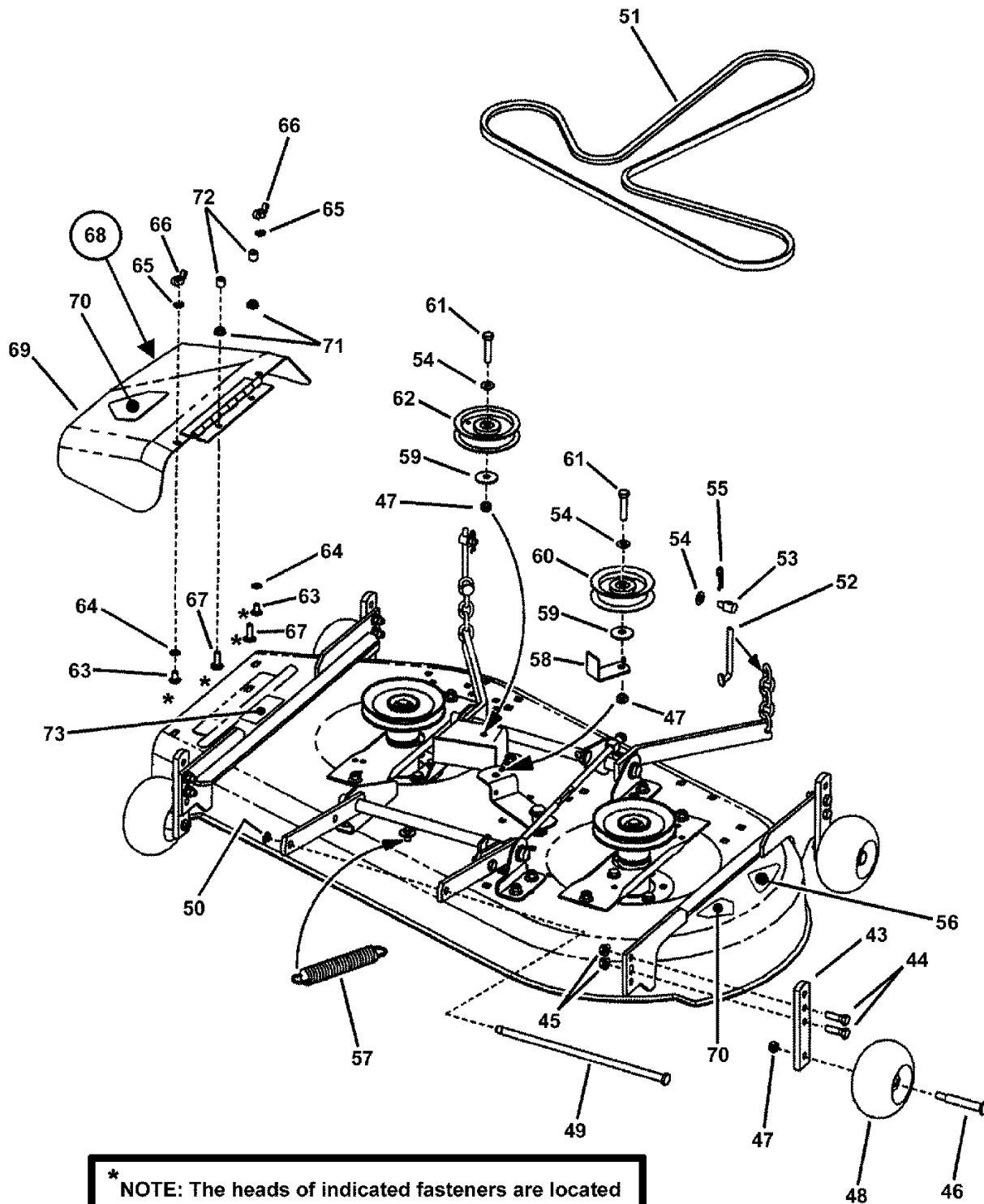


42" MOWER DECK ASSEMBLY (Part 2)

Item	Part No	Qty	Description	Note
27	7090122	2	WASHER, 3/8" SAE Flat	
28	7090289	1	NUT, 3/8-24 Hex Center Lock	<i>shown on previous page only</i>
29	7014241	1	WASHER, .27 x 1.0 x .065 Flat	<i>shown on previous page only</i>
30	7042586	1	WELDMENT, Lift Arm, Front	
31	7034815	1	LIFT ARM, Front	
32	7010935	4	WASHER, 3/4" Flat	
33	7015447	1	ECCENTRIC, Leveling	
34	7090390	1	WASHER, 3/8" Internal Tooth Lock	
35	7090163	1	SCREW, 3/8-24 x 1-1/4" Hex Head Cap w/Nylon Patch, GR5	
36	7035495	1	ROD, Cutter Deck Timing (3/8-16 thread)	
37	7042585	1	WELDMENT, Lift Arm, Rear	
38	7032028	2	WASHER, .781 x 1.5 x .132 Flat	
39	7024586	1	SWIVEL, Brake Link- PM	
40	7091310	1	HAIR PIN, #13	<i>replaces 16231</i>
41	7021815	1	SPACER, .391 I.D. x .531 long	
42	7091585	1	NUT, 3/8-16 Hex Center Lock	<i>Was 90546</i>

Footnotes:

42" MOWER DECK ASSEMBLY (Part 3)



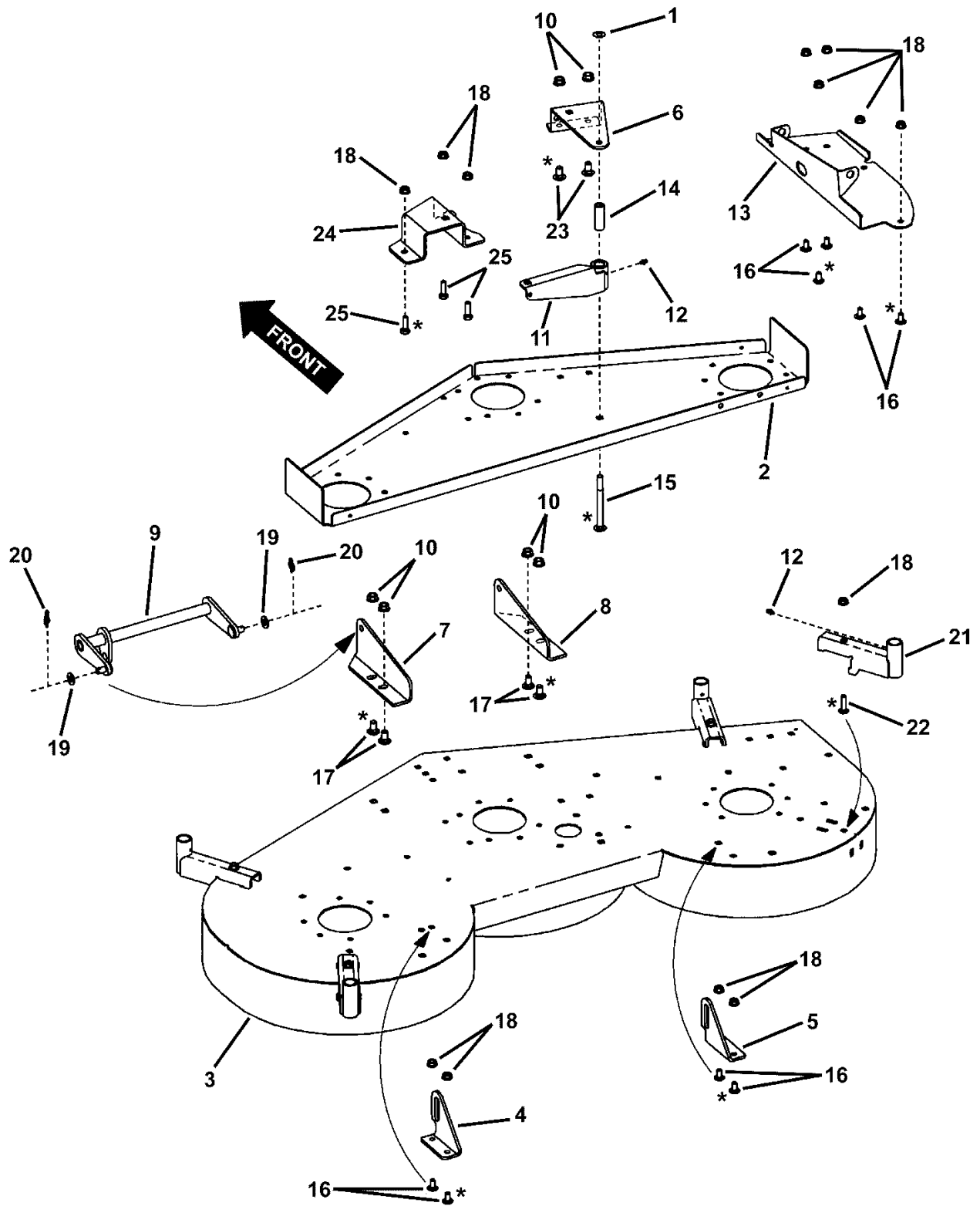
* NOTE: The heads of indicated fasteners are located underneath the deck.

42" MOWER DECK ASSEMBLY (Part 3)

Item	Part No	Qty	Description	Note
43	7035835	4	POST, Anti-Scalp	
44	7091328	8	SCREW, 3/8-16 x 1-1/4 Hex Head Cap, GR5	
45	7091619	8	NUT, 3/8-16 Hex Flange Lock	<i>Was 90613</i>
46	7029265	4	BOLT, 3/8-16 x 2-5/8" Shoulder	<i>for gage wheel</i>
47	7091585	6	NUT, 3/8-16 Hex Center Lock, GR5 or B	
48	7029264	4	WHEEL, Gage	
49	7022717	1	ROD, Deck Support	
50	7017847	1	RING, .438 External Retaining	
51	7075235	1	BELT, HA Section, (94.5" nom. effective length)	
52	7028728	2	ADJUSTER, Chain (5/16-18 thread)	
53	7028200	2	SWIVEL, Adjustment	
54	7090122	5	WASHER, 3/8" SAE Flat	<i>replaces 91514, 91296</i>
55	7091503	3	HAIR PIN, 3/32 x 1-1/2"	
56	7024910	1	DECAL, 42 Inch	<i>see decal page</i>
57	7035969	1	SPRING, Extension 1.03 Dia. X 6.8" long	
58	7036561	1	BELT GUIDE, 38/42 Idler	
59	7012063	2	WASHER, Cone	
60	7075707	1	IDLER, Flat (4.00 O.D.)	
61	7091553	2	SCREW, 3/8-16 x 1-3/4" Hex Head Cap, GR5	
62	7018574	1	IDLER, 4.12" Outside Diameter, Flat	
63	7090799	2	BOLT, 5/16-18 x 5/8" Short Neck Carriage, GR5	
64	7011791	2	RETAINER, 5/16" Bolt	
65	7091315	2	WASHER, .32 x .58 x .08 Split Lock	
66	7091537	2	WING LOCKNUT, 5/16-18	
67	7091303	2	BOLT, 5/16-18 x 1" Short Neck Carriage, GR5	
68	7051401	1	ASSEMBLY, Chute & Decal	<i>includes items 69 & 70</i>
69	7051401	1	WELDMENT, Side Chute	<i>Was 40497</i>
70	7013010	1	DECAL, Danger, Cut Finger (CPSC)	
71	7091601	2	NUT, 5/16-18 Hex Flange Lock, GR5	
72	7023606	2	CAP, Vinyl	
73	7046720	1	DECAL, Chute/Deflector	

Footnotes:

48" MOWER DECK ASSEMBLY (Part 1)



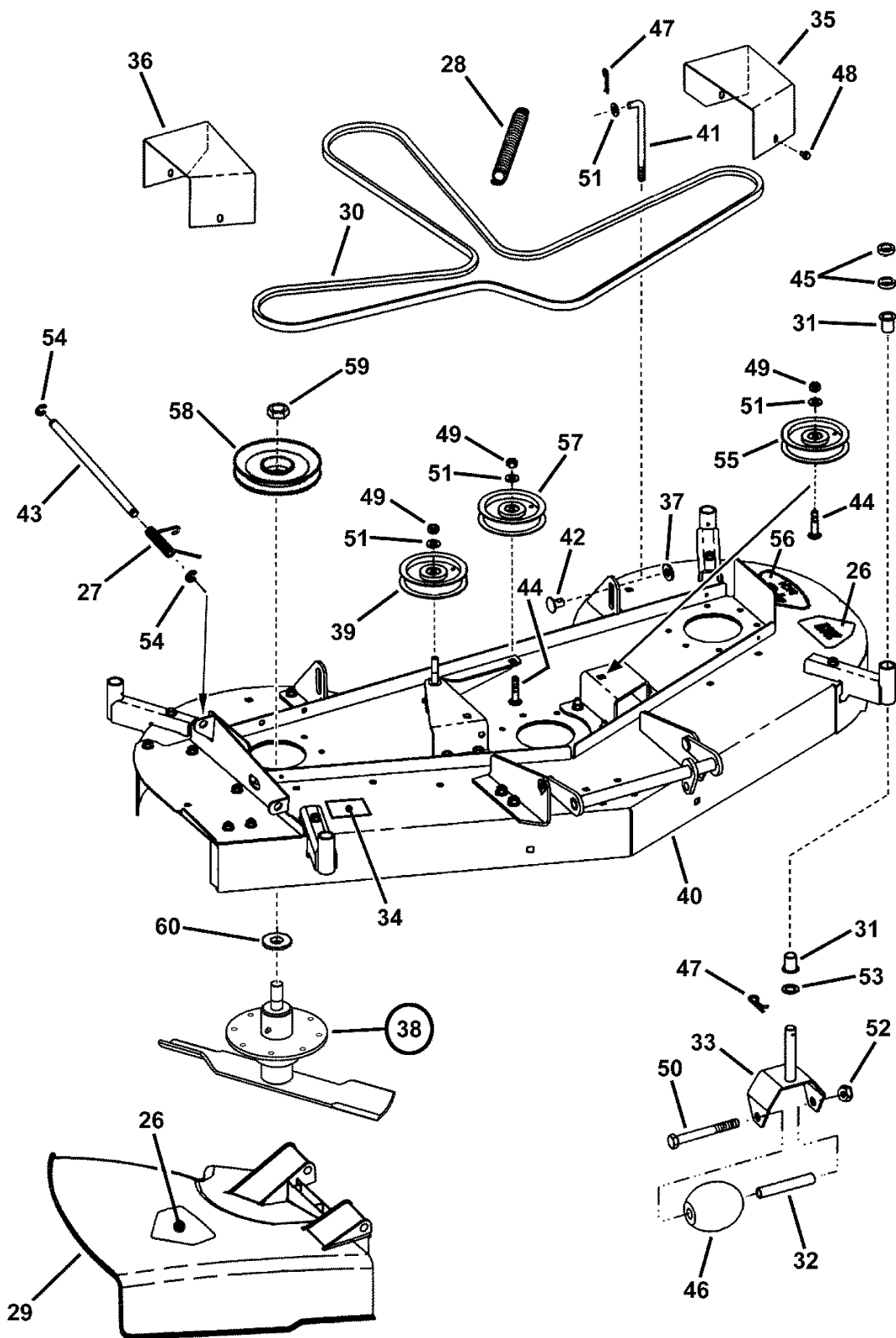
*** NOTE:** The heads of these fasteners are located inside the deck.

48" MOWER DECK ASSEMBLY (Part 1)

Item	Part No	Qty	Description	Note
1	7013847	3	RETAINER, 3/8" Bolt	
2	7034321	1	STIFFENER, 48" Deck, HOZ	
3	7044848	1	WELDMENT, 48" Deck	
4	7047047	1	HANGER Rear R.H.	
5	7047048	1	HANGER Rear L.H.	
6	7047049	1	BRACKET, Pulley Mounting	
7	7074230	1	BRACKET, Front Lift L.H.	
8	7074231	1	BRACKET, Front Lift R.H.	
9	7059240	1	WELDMENT, Front Lift, 48	<i>Ref: Item 22 on 48" FRONT FRAME & COVER ASSEMBLY page</i>
10	7091619	6	NUT, 3/8-16 Hex Flange Lock	
11	7058076	1	ASSEMBLY, Idler Arm/Lube Fitting	<i>incl. 46706, Idler Arm Weldment & one item 12</i>
12	7013864	1	LUBE FITTING, Straight (press-fit for .187 dia. Hole)	
13	7074951	1	BRACKET, Hinge, 48" Deck	
14	7071698	1	SPACER, Pivot Collar, 48 HOZ	
15	7091888	1	BOLT, 3/8-16 x 4" Square Neck Carriage, GR 5	
16	7090799	12	BOLT, 5/16-18 x 5/8" Short Neck Carriage, GR 5	
17	7091923	4	BOLT, 3/8-16 x 3/4" Short Neck Carriage, GR 5	
18	7091601	19	NUT, 5/16-18 Hex Flange Lock, GR 5	
19	7090122	2	WASHER, 3/8" SAE Flat	<i>replaces 91514, 91296</i>
20	7091593	2	PIN, 3/8 Self Locking Cotter	
21	7044801	4	WELDMENT, Caster Bracket	
22	7091169	4	BOLT, 5/16-18X1-1/8" Short Neck Carriage, GR 5	
23	7091923	2	BOLT, 3/8-16 x 3/4" Short Neck Carriage, GR 5	
24	7075587	1	BRACKET, Stationary Idler	
25	7027168	3	SCREW, 5/16-18 x 1" Hex Head Cap, GR 5	<i>Was 90636</i>

Footnotes:

48" MOWER DECK ASSEMBLY (Part 2)

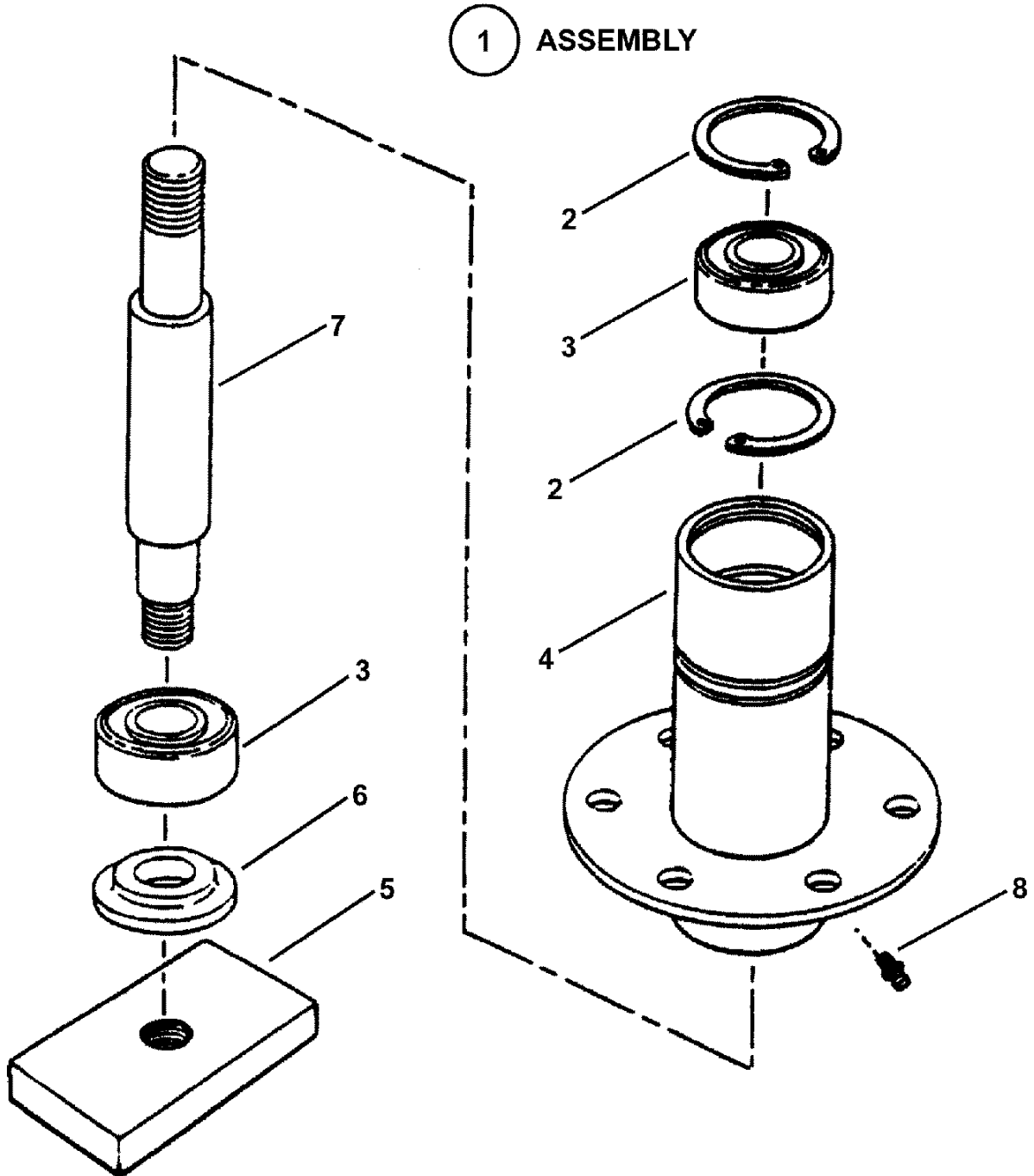


48" MOWER DECK ASSEMBLY (Part 2)

Item	Part No	Qty	Description	Note
26	7013010	1	DECAL, Danger, Cut Finger (CPSC)	<i>see decal page</i>
27	7035813	1	SPRING, Torsion	
28	7058508	1	SPRING, Extension, 48" HOZ	
29	7029425	1	DISCHARGE CHUTE, Hi Impact Co-Polymer	
30	7075092	1	V-BELT, HA Sect. (120.722" effective length)	
31	7043858	8	BUSHING, Flange, .64 x .75 x .5	
32	7046301	4	SLEEVE, Caster Wheel	
33	7046302	4	WELDMENT, Pivot Yoke, Caster	
34	7046720	1	DECAL, Chute/Deflector	<i>see decal page</i>
35	7047093	1	BELT COVER, LH	
36	7047094	1	BELT COVER, RH	
37	7090667	2	WASHER, 1/2" Flat	
38	7058524	3	ASSEMBLY, 48" Spindle	<i>ref: 48" Spindle Assembly page</i>
39	7072319	1	PULLEY, 3-1/4" Dia. Flat Idler	<i>New Hampshire p/n FH-5220-14</i>
40	--	1	*ASSEMBLY, 48" Painted Mower Deck	<i>see previous two pages</i>
41	7058086	2	LINK, Leveling (3/8-16 thread)	
42	7058087	2	SWIVEL, Support (3/8-16 internal thread)	
43	7072044	1	HINGE PIN	
44	7091810	2	BOLT, 3/8-16 x 1-3/4" Short Neck Carriage, GR 5	<i>Was 91158</i>
45	7076436	8	SPACER, Blade	
46	7073142	4	ROLLER, Low Density Polyethylene	<i>Was 79226</i>
47	7091503	6	HAIR PIN, 3/32 x 1-1/2"	
48	7091084	4	SCREW, 1/4-20 x 3/8" Hex Washer Self Tap	<i>Was 90302</i>
49	7091585	3	NUT, 3/8-16 Hex Center Lock	<i>Was 90546</i>
50	7090993	4	SCREW, 1/2-20 x 4-1/2" Hex Head Cap, GR 5	
51	7090122	5	WASHER, 3/8" SAE Flat	<i>replaces 91514, 91296</i>
52	7090266	4	NUT, 1/2-20 Hex Center Lock, GR 5 or B	
53	7091628	4	WASHER, .64 x .99 x .05 Flat	
54	7014341	2	RING, .392 External Retaining	<i>Waldes #5133-50</i>
55	7018574	1	IDLER, 4.12" Outside Diameter, Flat	
56	7024431	1	DECAL, 48" Deck	<i>see decal page</i>
57	7034422	1	PULLEY, 5" x .375 Flat Idler (Belt Clutch)	<i>Myers part no. AM888</i>
58	7044813	3	PULLEY, Driven, 4.50" O.D.	
59	7074467	3	NUT, 3/4-16 Hex Jam, GR 8	
60	7014407	3	WASHER, Spindle	<i>also shown on 48" SPINDLE ASSEMBLY page</i>

Footnotes:

*NOTE: Deck Ass'y 58522 consists of items 2-9, 11, 13, 14, 21, 24, 38, 58 & 60 assembled with appropriate fasteners.

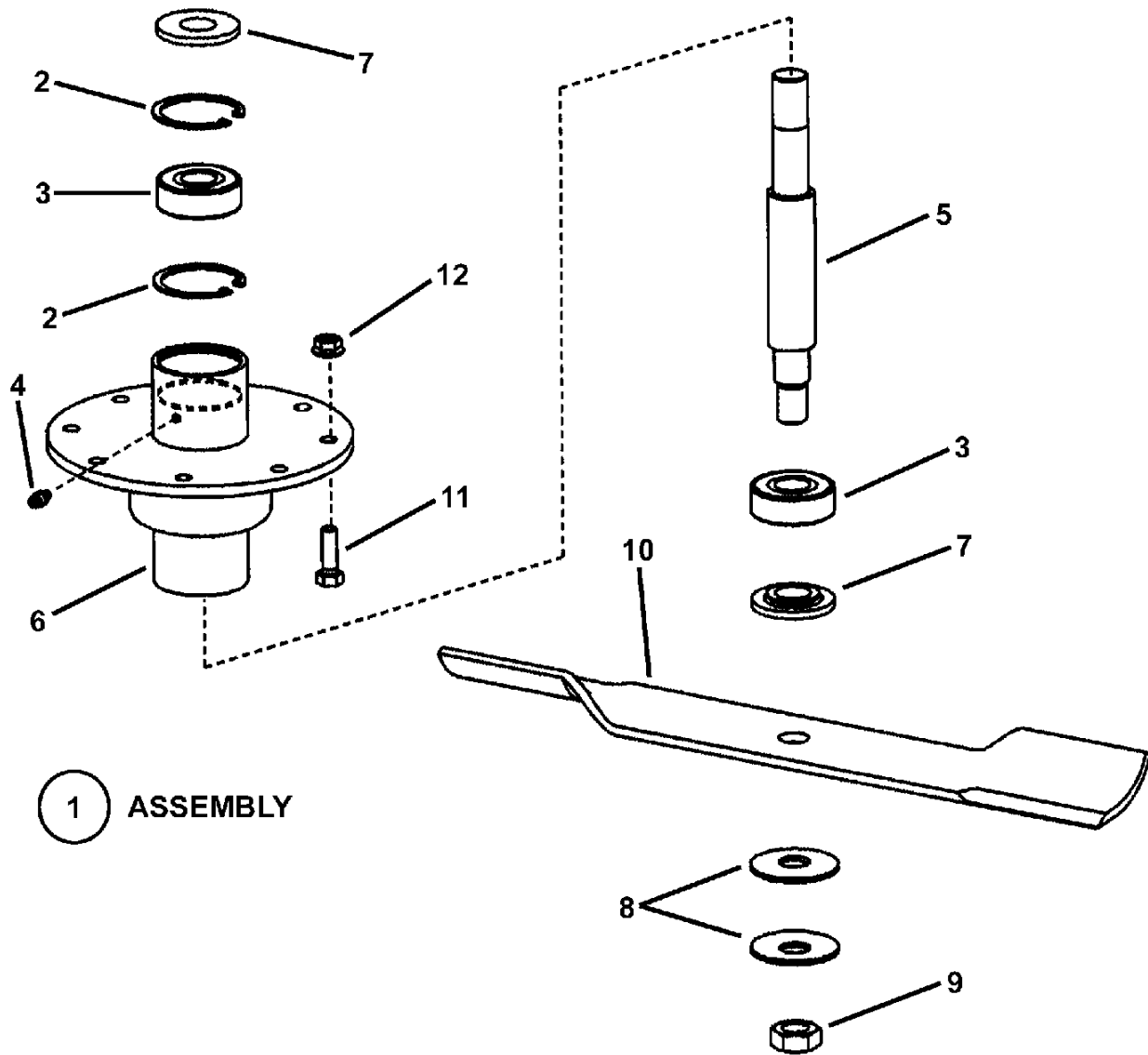


42" SPINDLE ASSEMBLY

Item	Part No	Qty	Description	Note
1	7051914	2	ASSEMBLY, 42" Spindle	<i>Was 59723 (Includes 2 thru 7)</i>
2	7012491	2	RING, 1-3/4" External Retaining Ring	<i>Truarc part no. N-5000-175</i>
3	7013313	2	BALL BEARING, 3/4" I.D.	
4	7051918	1	WELDMENT, Spindle Housing	<i>Was 47917</i>
5	7032294	1	HOLDER, Blade	
6	7014407	1	WASHER, Spindle	
7	7027668	1	SHAFT, Blade Spindle (3.47 shank length)	
8	7010817	1	FITTING, Lube, Press-In (for .187 dia. Hole)	

Footnotes:

48" SPINDLE ASSEMBLY

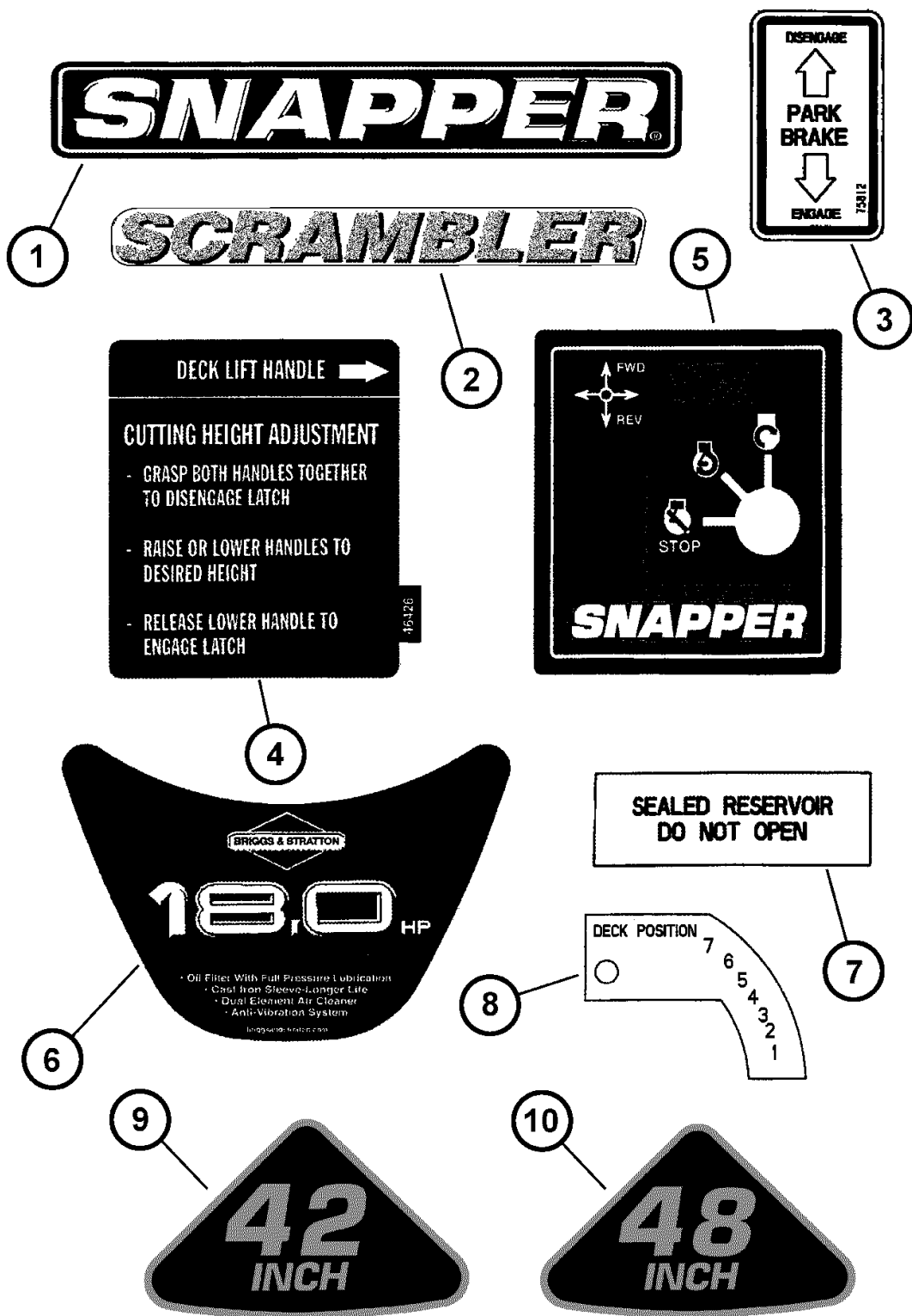


1 ASSEMBLY

48" SPINDLE ASSEMBLY

Item	Part No	Qty	Description	Note
1	7058524	3	ASSEMBLY, 48" Spindle	<i>includes items 2 thru 10</i>
2	7012491	2	RING, 1-3/4" External Retaining	<i>Truarc part no. N-5000-175</i>
3	7013313	2	BALL BEARING, 3/4" I.D.	
4	7010817	1	LUBE FITTING, Press-In (for .187 dia. Hole)	
5	7073405	1	SHAFT, Spindle (7.81" long)	
6	7044798	1	WELDMENT, 48" Spindle Housing	
7	7014407	2	WASHER, Spindle	
8	7016440	2	WASHER, .656 Belleville	
9	7090658	1	NUT, 5/8-18 Hex Jam	
10	7075588	1	BLADE, 16-1/2" Low Inertia	
11	7027168	6	SCREW, 5/16-18 x 1" Hex Head Cap, GR 5	<i>Was 90636 (not part of 58524 assembly)</i>
12	7091601	6	NUT, 5/16-18 Hex Flange Lock, GR 5	<i>Was 91070 (not part of 58524 assembly)</i>

Footnotes:



DECALS (Part 1)

Item	Part No	Qty	Description	Note
1	7075760	2	DECAL, SNAPPER	
2	7034817	1	DECAL, SCRAMBLER	
3	7075812	1	DECAL, Park Brake	
4	7046426	1	DECAL, Deck Height	
5	7075811	1	DECAL, Ignition Switch	
6	7075713	1	DECAL, Engine, 18 HP OHV B&S	<i>Simplicity part no. 275124</i>
7	7044767	1	DECAL, Hydro Reservoir	
8	7046457	1	DECAL, Deck Position	
9	7024910	1	DECAL, 42" Deck	
10	7024431	1	DECAL, 48" Deck	

Footnotes:

A WARNING

AVOID SERIOUS INJURY OR DEATH

- READ ALL MANUALS AND INSTRUCTIONS FURNISHED WITH THE MACHINE.
- MAKE SURE THAT SHIELDS, GUARDS, SWITCHES, AND OTHER SAFETY DEVICES ARE IN PROPER POSITION AND FUNCTIONAL.
- CLEAR MOWING AREA OF WIRE, ROCKS AND OTHER OBJECTS THAT COULD CAUSE INJURY IF THROWN BY BLADE.
- DO NOT ALLOW CHILDREN (PRE-TEENAGERS) ON MACHINE (EVEN WITH BLADE OFF) OR IN YARD WHEN MOWING. KEEP OTHERS SAFELY AWAY FROM THE OPERATING AREA.
- LOOK DOWN AND BEHIND MACHINE BEFORE AND WHILE BACKING.
- DO NOT MOW ON SLOPES OR IN ANY AREA WHERE STABILITY OR TRACTION IS IN DOUBT. IF YOU CAN NOT BACK UP A SLOPE, DO NOT MOW ON IT.
- DO NOT MOW ACROSS FACE OF SLOPES. REDUCE SPEED AND AVOID SHARP TURNS ON SLOPES.
- AVOID UPHILL STARTS. IF THE MACHINE IS STOPPED GOING UP A SLOPE, TURN BLADE OFF AND BACK DOWN THE SLOPE.
- STOP BLADE BEFORE PUTTING FOOT ON GROUND OR LEAVING THE SEAT.
- AVOID SUDDEN TURNS.

75993

11

14

TO START ENGINE:

1. OPERATOR MUST BE SEATED ON MACHINE.
2. BLADE SWITCH MUST BE PUSHED IN TO THE "OFF" POSITION.
3. JOYSTICK CONTROL MUST BE IN THE NEUTRAL POSITION.
4. PARK BRAKE MUST BE ENGAGED BY PRESSING BUTTON AND PULLING LEVER BACK TO THE LOCK POSITION.
5. SET CHOKE AND THROTTLE CONTROL.
6. TURN THE KEY TO "ON" POSITION.

TO OPERATE MACHINE:

1. MOVE ENGINE SPEED CONTROL TO "FAST" POSITION.
2. PULL BLADE SWITCH OUT TO THE "ON" POSITION TO START BLADES.
3. RELEASE PARK BRAKE BY PRESSING BUTTON AND MOVING LEVER FORWARD TO LOCK POSITION.
4. SLOWLY MOVE JOYSTICK CONTROL IN THE DESIRED DIRECTION OF TRAVEL.
5. INCREASE / DECREASE SPEED WITH AMOUNT OF JOYSTICK MOVEMENT FROM THE NEUTRAL POSITION.

TO STOP MACHINE:

1. MOVE JOYSTICK CONTROL TO THE NEUTRAL POSITION.
2. PUSH BLADE SWITCH TO THE "OFF" POSITION TO STOP BLADES.
3. ENGAGE PARK BRAKE BY PRESSING BUTTON AND PULLING LEVER BACK TO LOCK POSITION.
4. TURN IGNITION KEY TO THE "OFF" POSITION.

75910

12

HYDRO RELEASE

↑ DRIVE

↓ ROLL

13

17

MOWER BELTS AND BLADES

33" MOWER BELT	35389
33" DRIVE BELT	41823
33" JACKSHAFT BELT	29117
33" MOWER BLADE	34168
<hr/>	
38" MOWER BELT	29308
38" DRIVE BELT	41823
38" JACKSHAFT BELT	29117
38" MOWER BLADE	42998
<hr/>	
42" MOWER BELT	75235
42" DRIVE BELT	41823
42" JACKSHAFT BELT	29117
42" MOWER BLADE	26691
<hr/>	
48" MOWER BELT	75092
48" DRIVE BELT	41823
48" JACKSHAFT BELT	46997
48" MOWER BLADE	75588

USE ONLY GENUINE SNAPPER REPLACEMENT PARTS TO ASSURE THAT ORIGINAL STANDARDS ARE MAINTAINED.

75635

15

DANGER

KEEP HANDS AND FEET AWAY

16

DANGER

GUARD OR ENTIRE GRASS CATCHER MUST BE INSTALLED BEFORE OPERATING MOWER

45724

18

DANGER

TO STAND ON END: CLOSE CAP VENT AND REMOVE TANK IF FUEL IS OVER 3/4 FULL.

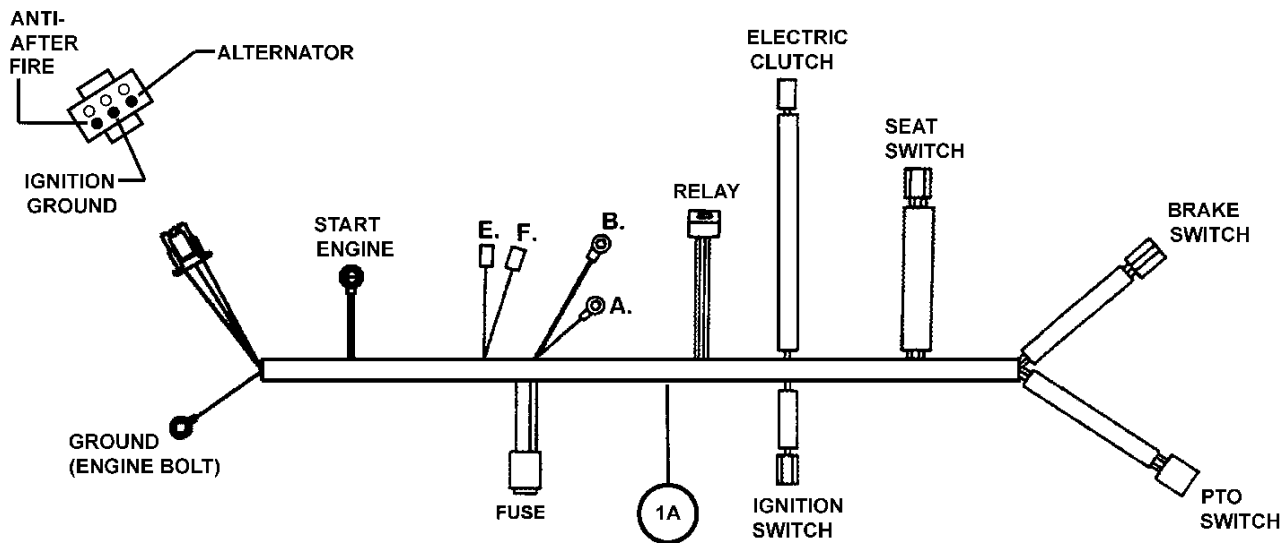
19

DECALS (Part 2)

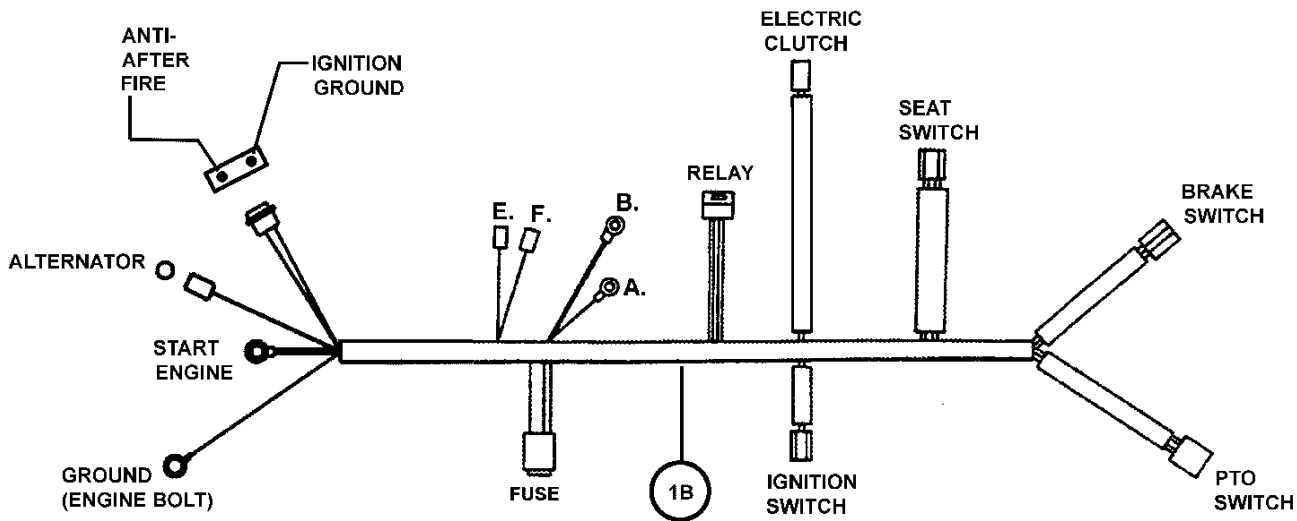
Item	Part No	Qty	Description	Note
11	7075993	1	DECAL, Warning, Read Manuals & Instructions	
12	7075810	1	DECAL, Operating Instructions	
13	7071683	1	DECAL, Hydro Release	
14	7046720	1	DECAL, Chute/Deflector	
15	7013010	1	DECAL, Danger, Cut Finger (CPSC)	
16	7073335	1	DECAL OPEI Ride-On	
17	7075635	1	DECAL, Service Parts, HOZ Domestic	
18	7029113	1	DECAL, Caution, Fuel (English)	
19	7078049	1	DECAL, Throttle/Choke Control	

Footnotes:

ELECTRICAL COMPONENTS (Part 1)



PLUG CONNECTS TO:	
A.	Solenoid Battery Terminal
B.	Solenoid Starter Terminal
C.	Battery, Positive Terminal
D.	Battery, Negative Terminal
E.	Solenoid "Spade" Terminal
F.	Solenoid "Spade" Terminal



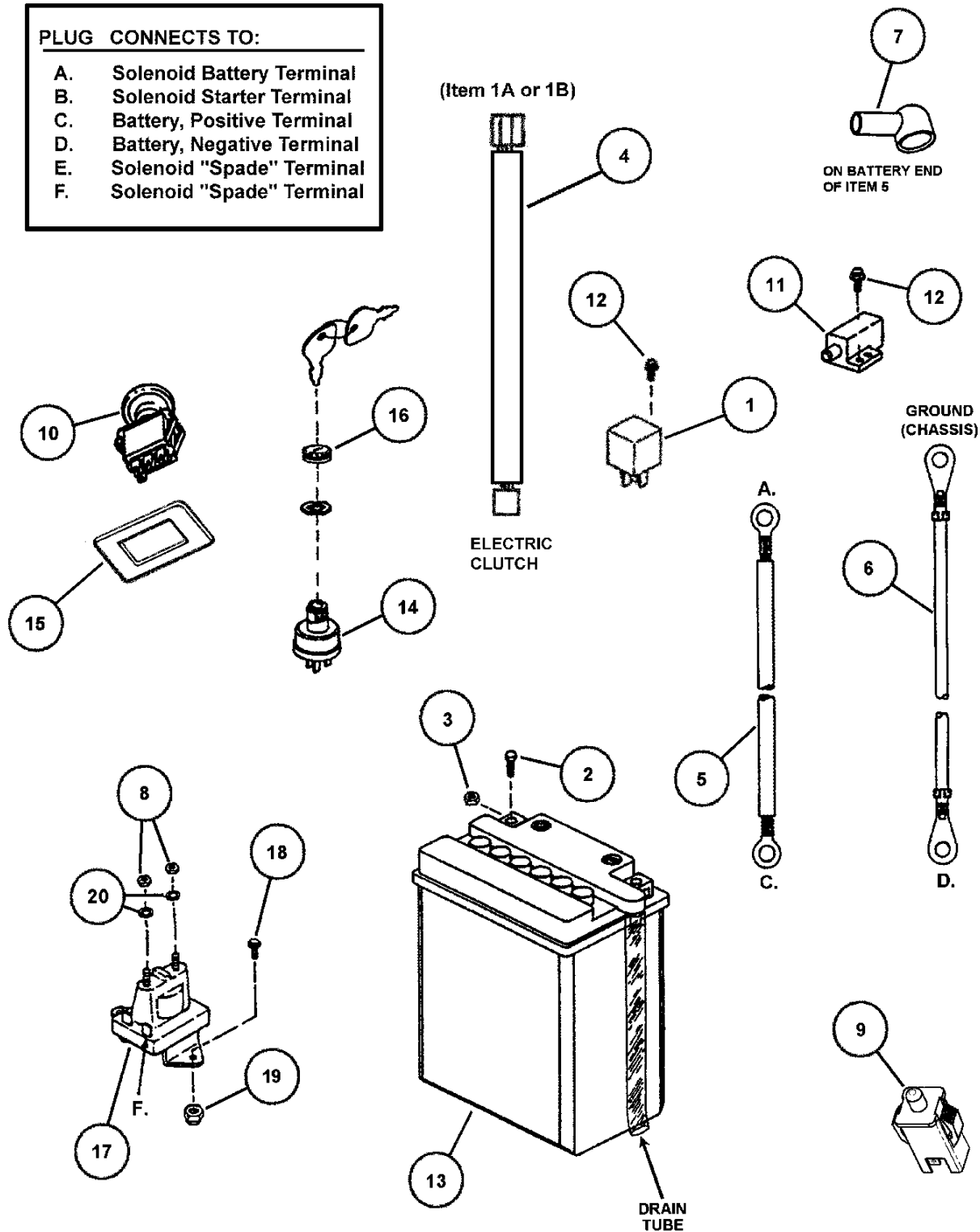
ELECTRICAL COMPONENTS (Part 1)

Item	Part No	Qty	Description	Note
1A	7075497	1	WIRING HARNESS, 18 HP Briggs	
1B	7047041	1	WIRING HARNESS, 14.5 HP Briggs	<i>used on 20 hp engine</i>

Footnotes:

ELECTRICAL COMPONENTS (Part 2)

PLUG CONNECTS TO:	
A.	Solenoid Battery Terminal
B.	Solenoid Starter Terminal
C.	Battery, Positive Terminal
D.	Battery, Negative Terminal
E.	Solenoid "Spade" Terminal
F.	Solenoid "Spade" Terminal



ELECTRICAL COMPONENTS (Part 2)

Item	Part No	Qty	Description	Note
1	7028570	1	RELAY, OPC, Electric Clutch	
2	7090411	2	SCREW, #10-24 x 1/2" Hex Head Cap	
3	7012688	2	NUT, #10-24 Hex Twin "Whiz" Lock	
4	7035926	1	WIRE HARNESS, Warner Clutch	
5	7016835	1	WIRE, Positive, 13" long	
6	7042956	1	WIRE, Negative, 14" long	
7	7071694	2	COVER, Battery Cable	
8	7090977	2	NUT, 1/4-20 Hex Jam, GR 5 or B	
9	7022886	1	SWITCH, Seat (NO/NC) Snap-In	
10	7075884	1	SWITCH, PTO E.C.	<i>Delta part no. 6201-219</i>
11	7023355	1	SWITCH, Park Brake (NC/NO)	
12	7090913	3	SCREW, #10-24 x 1/2" Hex Washer Self-Tap (Torx)	<i>(Torx)</i>
13	7029130	1	BATTERY, 12V, 3 Amp, 190 Cold Cranking Amp	<i>includes drain tube</i>
14	7026343	1	SWITCH, Ignition (After-fire Solenoid)	
15	7035661	1	SPACER, PTO Switch	<i>not shown</i>
16	7023506	1	BEZEL	
17	7075622	1	SOLENOID - Super Trombetta- 2 Terminal	
18	7090071	2	SCREW, 1/4-20 x 1/2" Hex Head Cap, GR 5	
19	7091584	3	NUT, 1/4-20 Hex Flange Lock	
20	7090053	3	WASHER, 1/4" Internal Tooth Lock	<i>Was 91314</i>

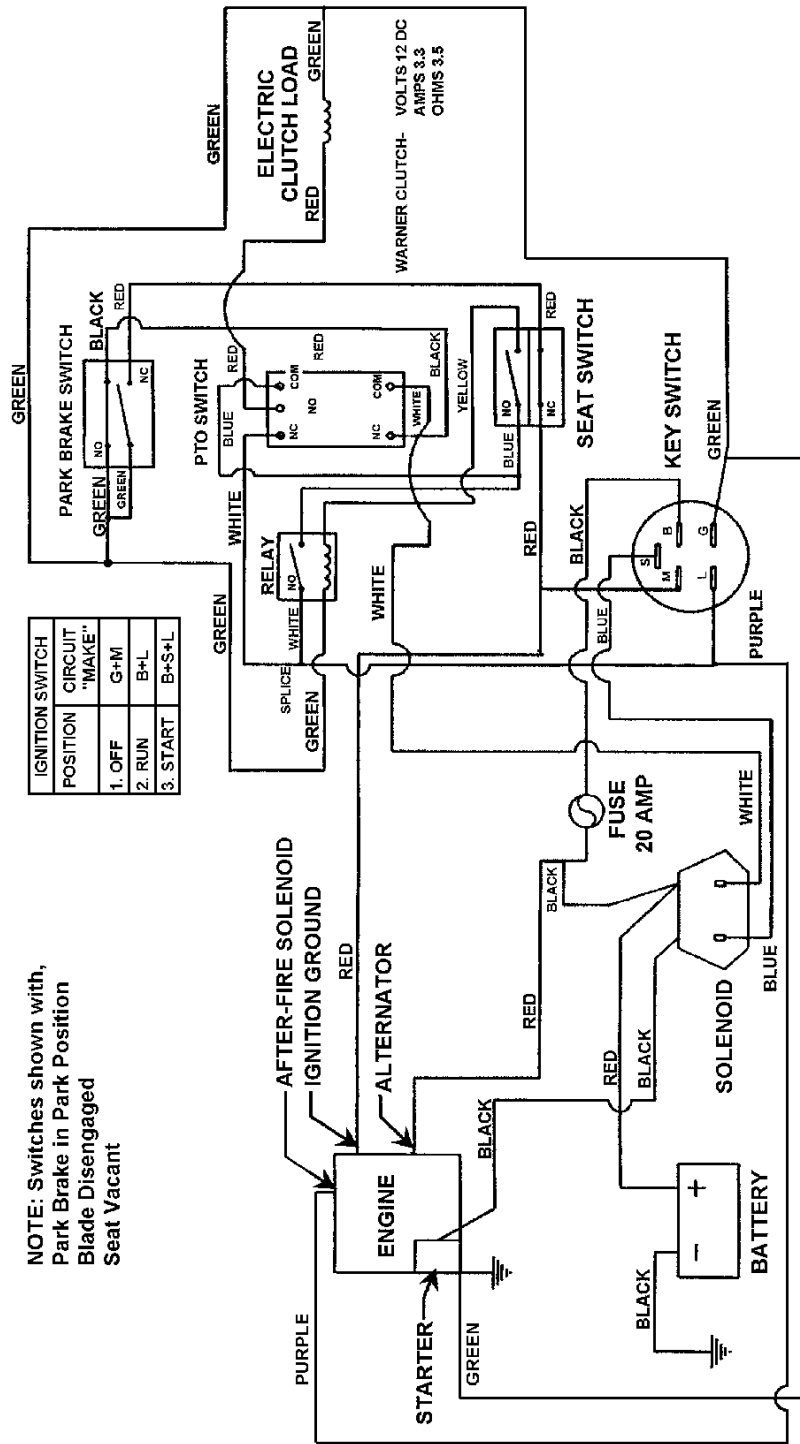
Footnotes:

WIRING SCHEMATIC (18 hp engine)

Item	Part No	Qty	Description	Note
*		1	* Wiring Schematic includes harness # 75497	

Footnotes:

WIRING SCHEMATIC (20 hp engine)



SCHEMATIC - WIRING DIAGRAM
Part No. 4-7041 for YZ20485BVE

WIRING SCHEMATIC (20 hp engine)

Item	Part No	Qty	Description	Note
*		1	* Wiring Schematic includes harness # 47041	

Footnotes:

Parts Manual for

SNAPPER®

SCRAMBLER 42" & 48" HYDRO DRIVE YZ SERIES 5 & 6

IT IS THE POLICY OF SNAPPER TO IMPROVE ITS PRODUCTS
WHENEVER IT IS POSSIBLE AND PRACTICAL TO DO SO. WE
RESERVE THE RIGHT TO MAKE CHANGES OR ADD IMPROVEMENTS
AT ANY TIME WITHOUT INCURRING ANY OBLIGATION TO MAKE
SUCH CHANGES ON PRODUCTS MANUFACTURED PREVIOUSLY.

SNAPPER® McDonough, GA, 30253 U.S.A.