

Parts Manual for
SNAPPER®

**21" STEEL DECK EASY LINE
WALK MOWER
SERIES 0 & 1**

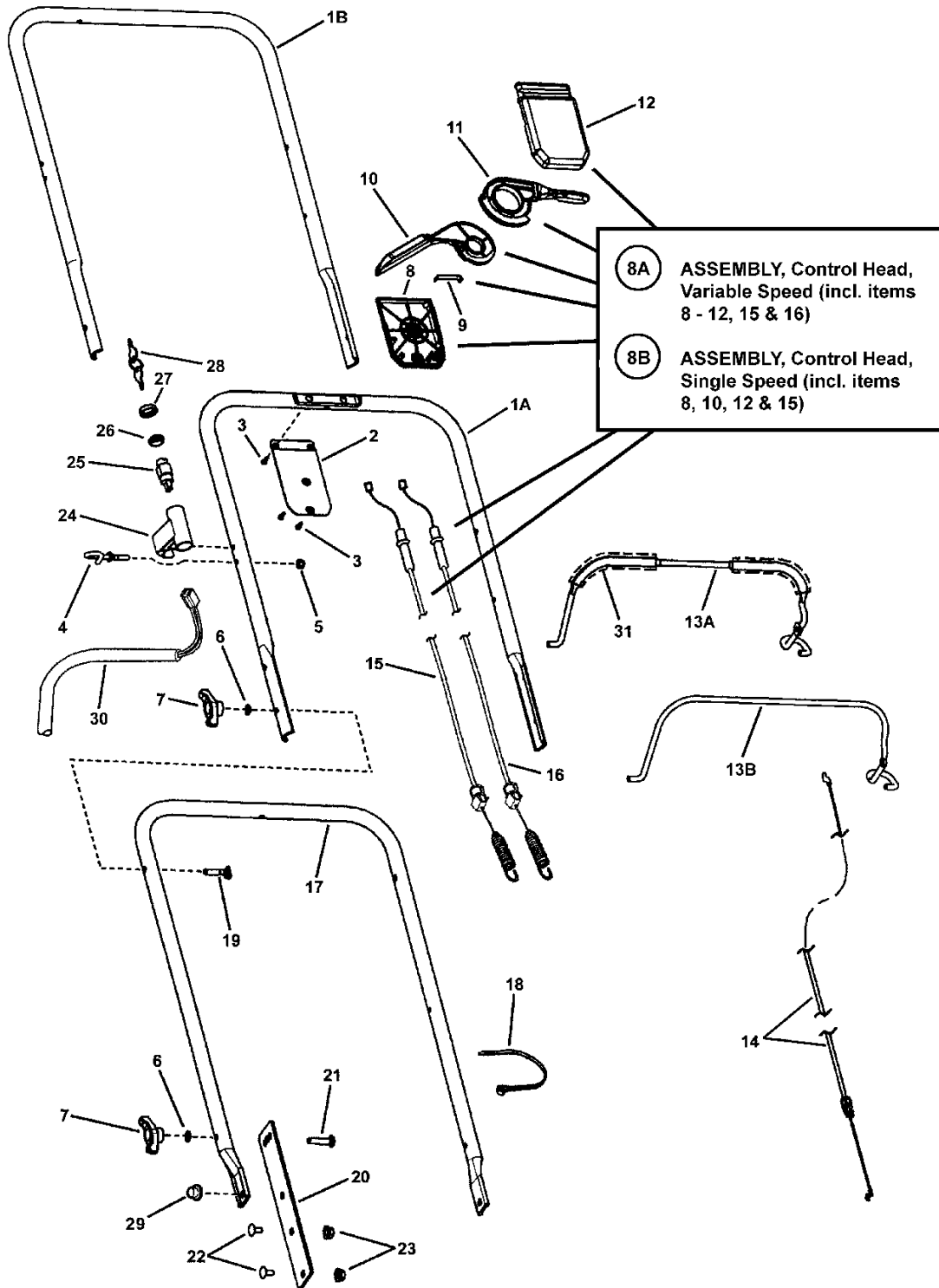


PUSH MODELS	PROPELLED MODELS
S21 (7800003)	SP21 (7800004)
S211 (7800089)	SP211 (7800090)
S211 (7800166)	SP211 (7800167)
	SPV21 (7800005)
	SPV211 (7800091)
	SPV211 (7800168)
	SPV211E (7800170)
	SPV21E (7800008)
	SPV21E1 (7800093)

SNAPPER® McDonough, GA, 30253 U.S.A.

PAGE	GROUP
4	HANDLES & CONTROLS
8	GUARDS AND COVERS
10	FRONT WHEELS
12	REAR WHEELS (Push)
14	REAR WHEELS (Self-Propelled)
16	REAR DECK BRACKETS & IDLER ARM
18	TRANSMISSION
20	ENGINE AND BLADE
22	BAGGING COMPONENTS
24	DECALS
26	WIRING SCHEMATIC

HANDLES & CONTROLS



HANDLES & CONTROLS

Item	Part No	Qty	Description	Note
1A	7078247	1	HANDLE, Upper, Flat	
1B	7300458	1	HANDLE, Upper, 22" Push	
2	7300130	1	* PLATE, Control Panel	
3	7100225	4	* SCREW, #8-16 Recessed Pan Head (Torxplus)	
4	7028488	1	GUIDE, Rope	(1/4-20 threads)
5	7076978	1	NUT, 1/4-20 Hex Nyloc	
6	7090391	4	WASHER, 5/16 Internal Tooth Lock	
7	7035744	4	KNOB, 5/16-18 Wing (Black)	
7	M720727	4	KNOB, 5/16-18 Wing (Black)	Briggs part
8A	7100069	1	ASS'Y, Control Head, Variable Speed (Incl. items 8-12, 15 & 16)	
8B	7100254	1	ASS'Y, Control Head, Single Speed (Incl. items 8, 10, 12 & 15)	
8	--	1	* CASE HALF, Bottom, Black	
9	--	1	** SPRING STEEL	
10	--	1	* CLUTCH LEVER, Silver	
11	--	1	** ASS'Y., Speed Lever/Friction Material (Snapper)	includes 7100412, Friction Strip
12	--	1	* CASE HALF, Top, Variable Speed- Black	
12	--	1	* CASE HALF, Top, Single Speed- Black	
13A	7078248	1	BAIL, Brake (self-propelled mower)	
13B	7100845	1	BAIL, 22" (push-mower)	
14	7100074	1	CABLE, Zone Control	
14	7100641	1	CABLE, Zone Control	used on SPV21E
15	7100263	1	* CABLE, Clutch	
16	7100264	1	** CABLE, Speed	
17	7078246	1	HANDLE, Lower	
18	7024649	2	WIRE TIE, 11 Inch Black Nylon	
19	7091189	2	BOLT, 5/16-18 x 2" Curved Head Square Neck GR 2	
20	7300103	2	BRACKET, Lower Handle, Black Textured	
21	7091612	2	BOLT, Carriage 5/16-18 x 1-1/2", GR 5	
22	7090799	8	BOLT, Carriage 5/16-18 x 5/8", GR 5	
23	7091601	4	NUT, 5/16-18 Hex Flange Lock, GR 5	
24	7100328	1	HOUSING, Snap-On E-Start	
25	7028765	1	SWITCH, Electric Start (Start/Run)	
26	7100329	1	NUT, 5/8-32 E-Start	
27	7100330	1	CAP, E-Start	
28	7011138	1	KEY, Ignition (Pair)	
29	7091135	2	PUSHNUT, 3/8"	
30	7100327	1	WIRING HARNESS, B&S	

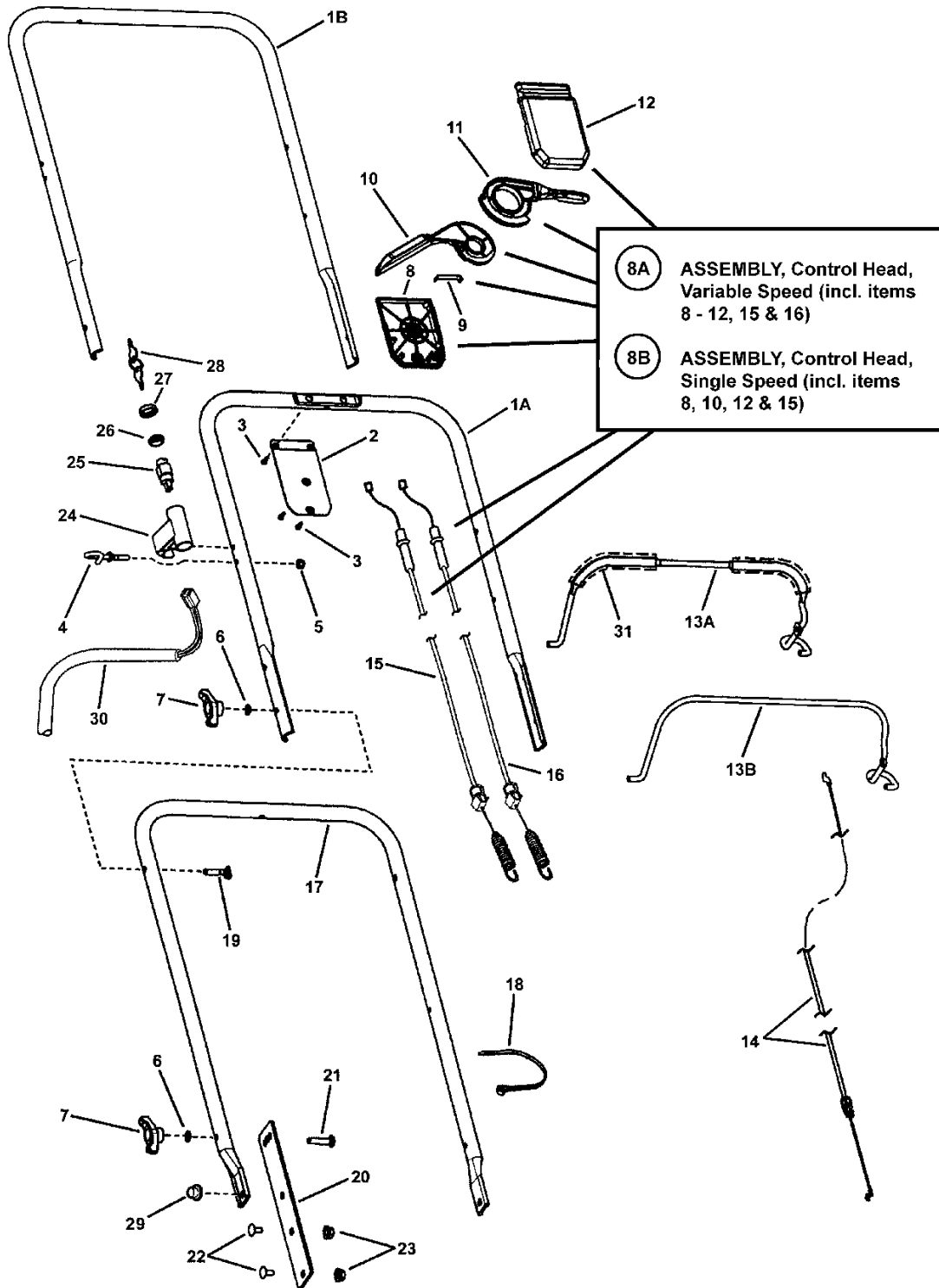
Footnotes:

Note: * Used on self-propelled models only

Note: ** Used on variable speed models only

Note: Items 8 thru 12 are not available as individual parts.

HANDLES & CONTROLS



HANGLES & CONTROLS

Item	Part No	Qty	Description	Note
31	7100632	2	FOAM GRIP, 7"	

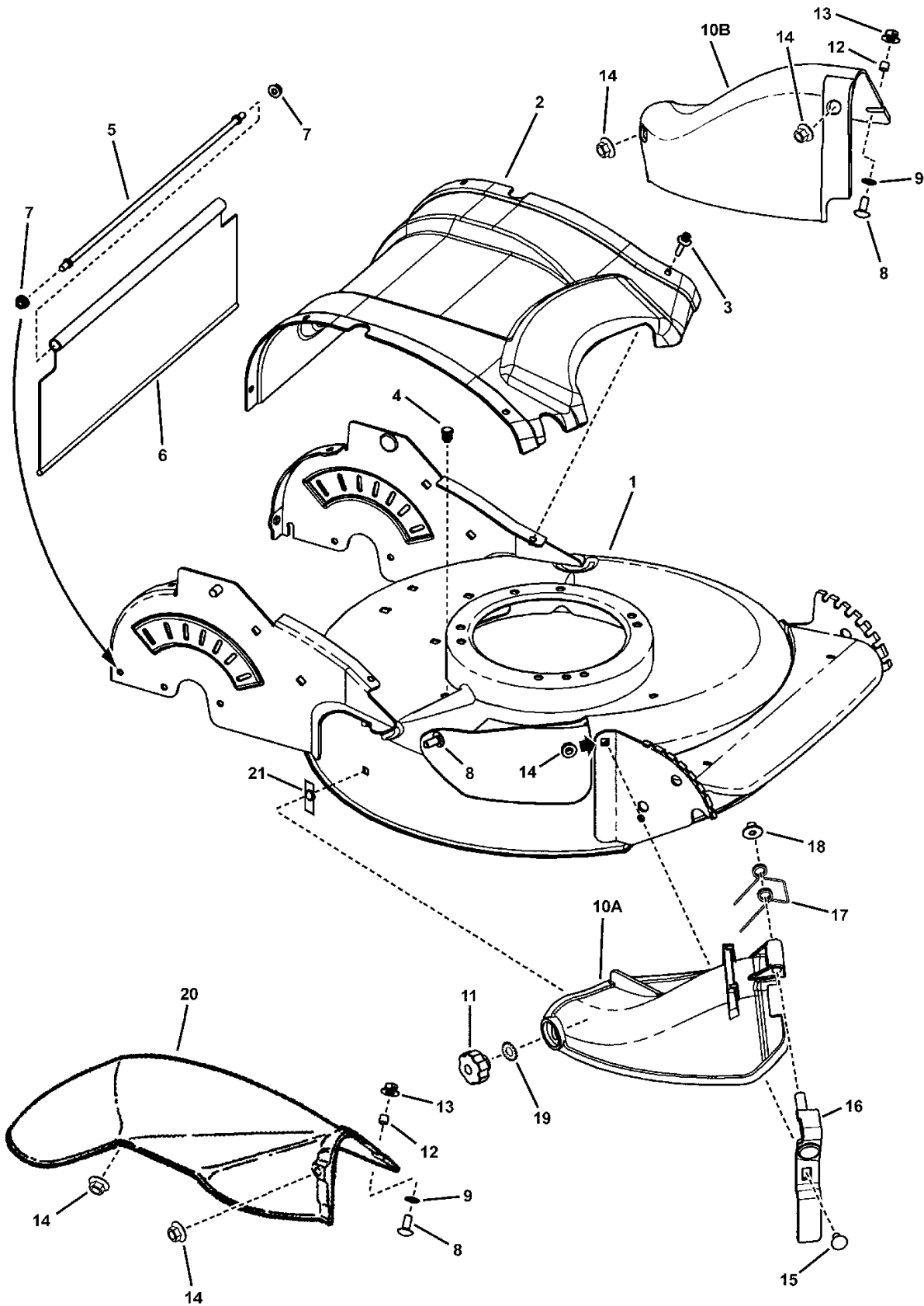
Footnotes:

Note: * Used on self-propelled models only

Note: ** Used on variable speed models only

Note: Items 8 thru 12 are not available as individual parts.

GUARDS AND COVERS

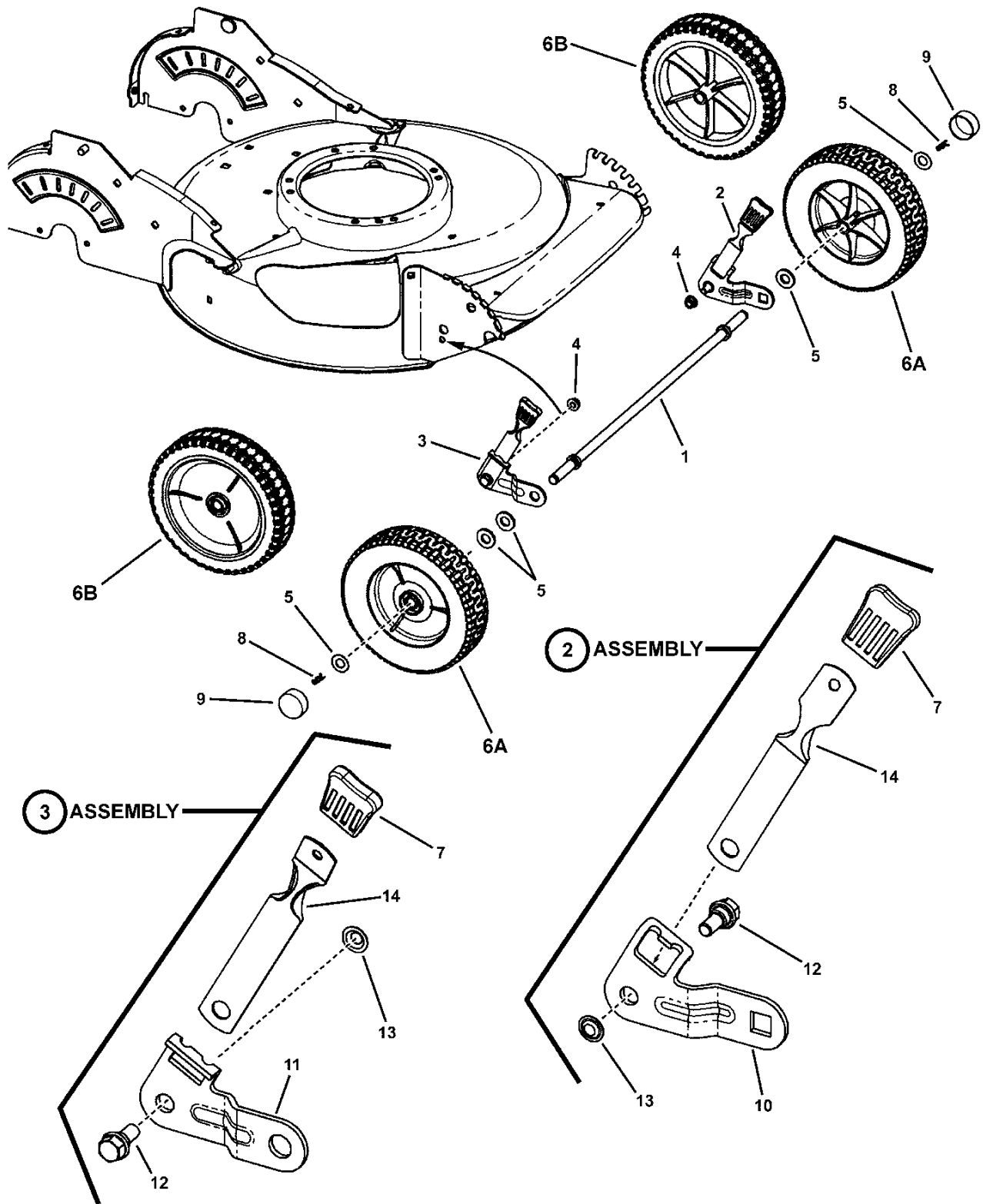


GUARDS AND COVERS

Item	Part No	Qty	Description	Note
1	7078216	1	WELDMENT, 21" Deck, 7 Position	
2	7100001	1	REAR COVER, Belt/Transmission	
3	7900032	6	SCREW, 7mm x 1 x .550 AB Point	<i>replaces 7100059 rivet</i>
4	7046780	2	PLUG, Hole (Polyethylene)	
5	7078225	1	ROD, Trail Shield	<i>1/4-20 thread- both ends</i>
6	7078272	1	SHIELD, Trail	
7	7091584	2	NUT, 1/4-20 Hex Flange Lock	
8	7090001	2	BOLT, 5/16-18 x 3/4" Short Square Neck Carriage, GR 5	
9	7011791	1	BOLT RETAINER, 5/16- Black	
10A	7100243	1	COVER, Mulching, No Tools	
10B	7029149	1	COVER, 21 Deck Recycling	
11	7101022	1	KNOB, Fluted (5/16-18 thread)	<i>or 7100516</i>
12	7024340	1	SPACER, .316 x .375 x .300/.310	
13	7090951	1	NUT, 5/16-18 Large Flange Hex Center Lock	
14	7091070	1	NUT, 5/16-18 Hex Flange Lock	
15	7900015	1	BOLT, 5/16-18 x 5/8" Short Square Neck Carriage, GR 5	<i>modified shoulder</i>
16	7400137	1	WELDMENT, Hinge Pivot	
17	7100253	1	SPRING, Torsion, Mulching Cover	
18	7091135	1	PUSHNUT, 3/8"	
19	7090189	1	WASHER, 5/16" Internal/External	
20	7042965	1	CHUTE, 21 Side Discharge	
21	7900028	1	NUT, 5/16-18 Speed	<i>Shakeproof# FN-614020-1-50)</i>

Footnotes:

FRONT WHEELS

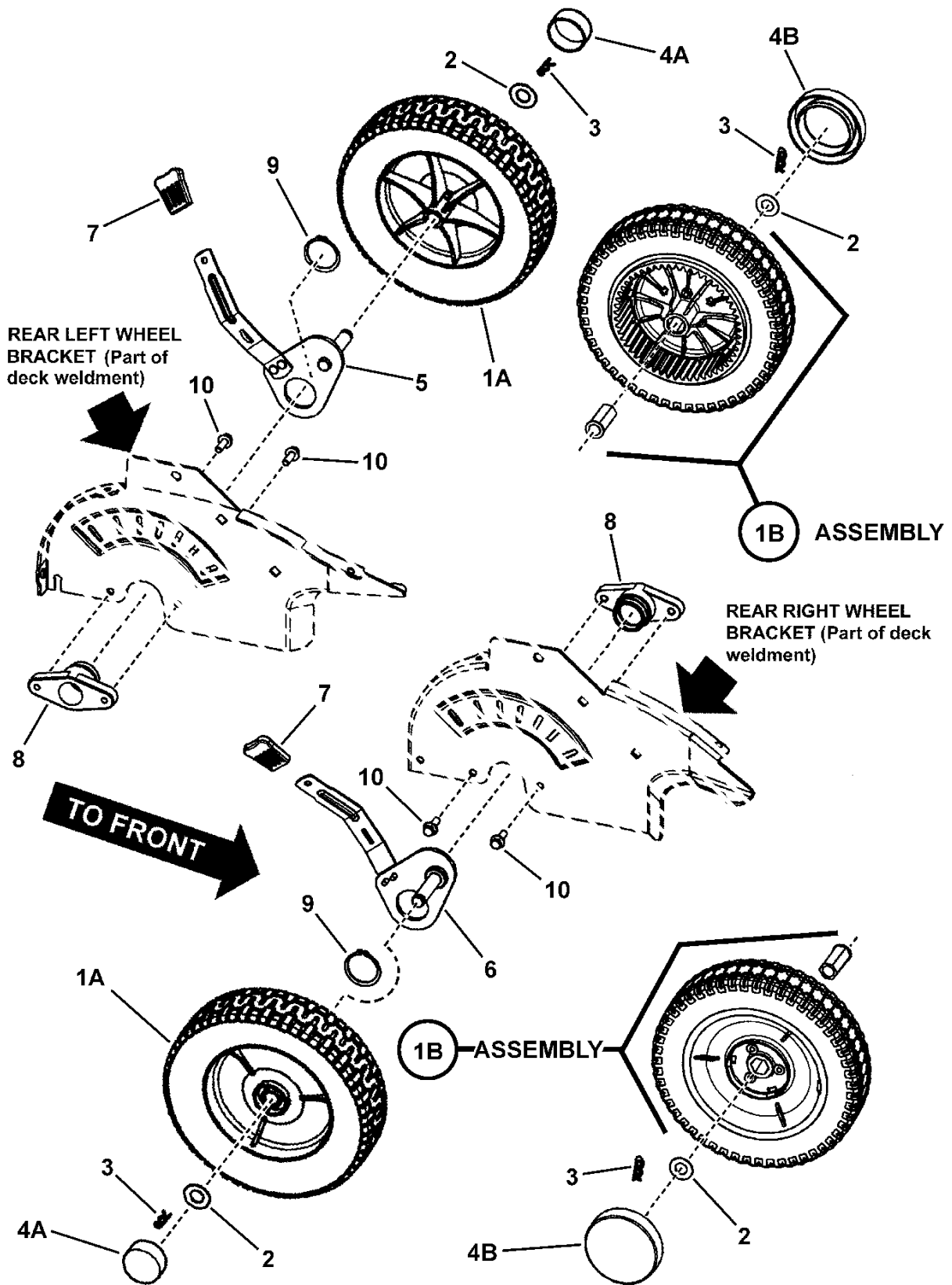


FRONT WHEELS

Item	Part No	Qty	Description	Note
1	7011392	1	AXLE, Front, Low Cost Walk Mower, 21	
2	7500038	1	ASSEMBLY Front Wheel Arm, LH	
3	7051886	1	ASSEMBLY Front Wheel Arm, RH	
4	7091601	2	NUT, 5/16-18 Hex Flange Lock	
5	7100585	5	WASHER, Shim, .875 x .531 x .060	
6A	7100015	2	WHEEL, Front, 8 x 2, LS Tread, 1-5/8" Hub x .50 I.D.	
6A	7100776	2	WHEEL, Front, 8 x 2, LS Tread, 1-5/8" Hub x .50 I.D.	<i>Snapper Tri-spoke Eurowheel</i>
6B	7101105	2	WHEEL, Front, 8 x 2, Double Bar II Tread, 1-5/8" Hub w/bushing	<i>Euro rim</i>
7	7100633	2	GRIP, Height Latch	<i>replaces 7027702 (voided)</i>
8	7091193	2	COTTER, Hairpin	
9	7100088	2	HUB CAP, 1-3/8" Dia.	<i>black</i>
10	7011393	1	FRONT WHEEL ARM, L.H. (Square Hole)	
11	7031017	1	FRONT WHEEL ARM, R.H. (Round Hole)	
12	7015761	2	SHOULDER BOLT, 5/16-18	
13	7011791	2	BOLT RETAINER, 5/16- Black	
14	7012325	2	HEIGHT LATCH V21	

Footnotes:

REAR WHEELS (Push)

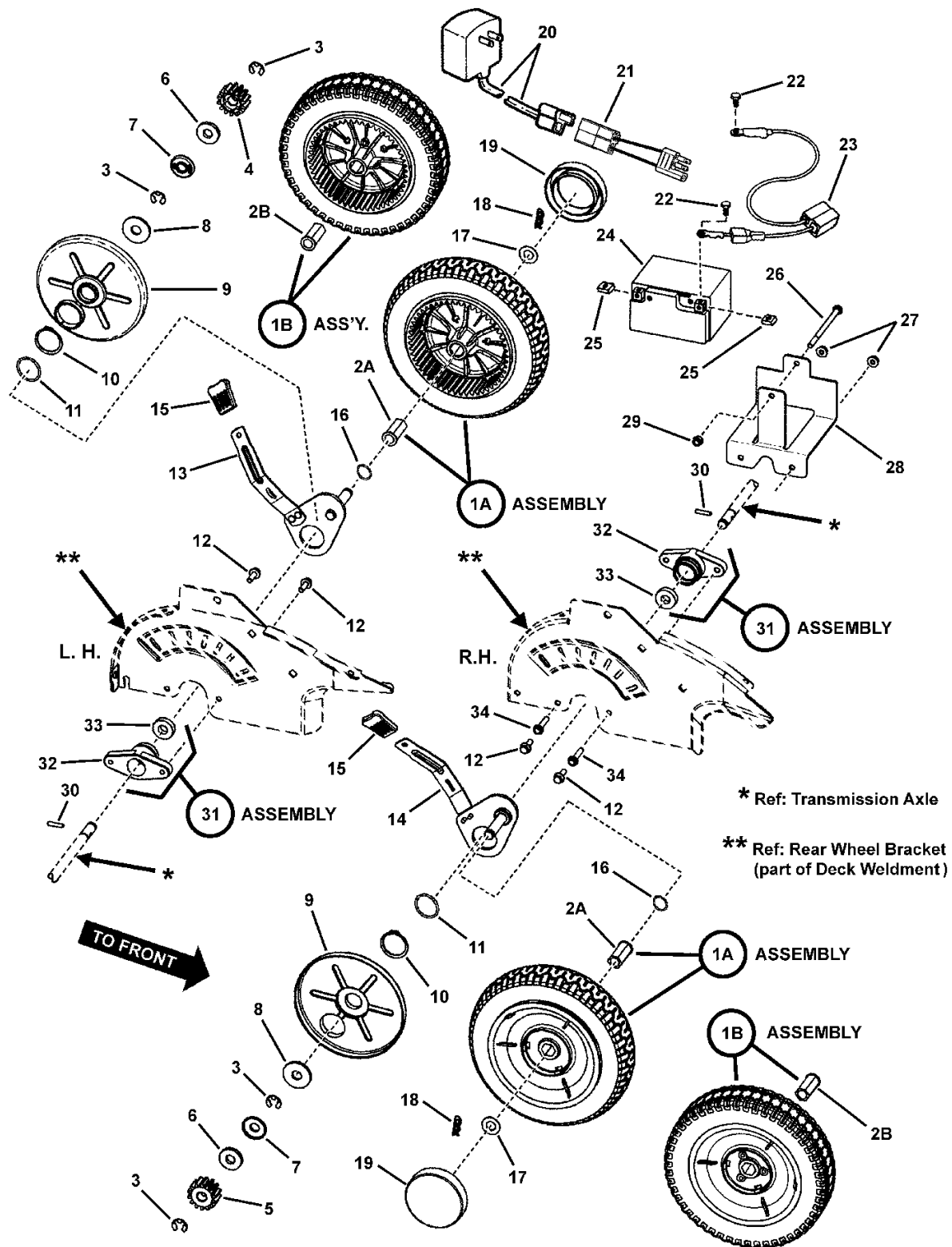


REAR WHEELS (Push)

Item	Part No	Qty	Description	Note
1A	7100071	2	WHEEL, 9" x 2", LS Tread, w/1-5/8" Hub, Gray	
1B	7101104	2	ASSY., 9" x 2" Gear Wheel, Double Bar II Tread & Nylon Bushing	<i>includes nylon bushing (p/n 7024541)</i>
2	7091192	2	WASHER, 1/2" Flat	
3	7091193	2	COTTER, Hairpin	
4A	7100088	2	HUB CAP, 1-3/8" Diameter (black)	<i>used with wheel 1A</i>
4B	7100114	2	HUB CAP, 3-1/4" Diameter (black)	<i>used with wheel 1B</i>
5	7078235	1	ASSEMBLY, Axle Arm, Left Rear	
6	7078236	1	ASSEMBLY, Axle Arm, Right Rear	
7	7100633	2	GRIP, Height Latch	<i>replaces 7027702 (voided)</i>
8	7078214	1	HOUSING, Axle Bearing	
9	7900010	2	SNAP RING, 1-3/8"	<i>Truarc 5100-137</i>
10	7090699	4	BOLT, 1/4-20 x 3/4" Hex Flange Lock	

Footnotes:

REAR WHEELS (Self-Propelled)



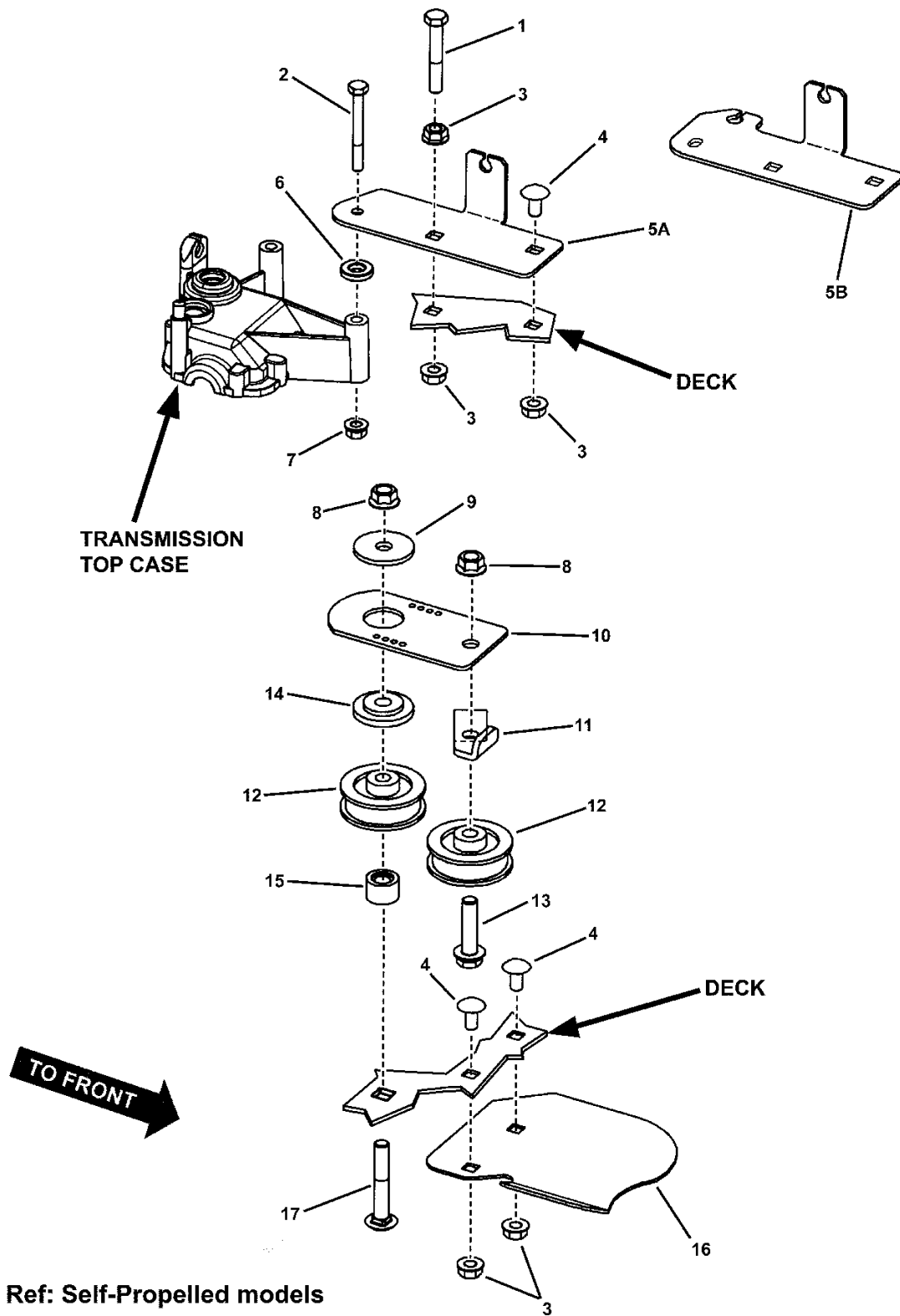
REAR WHEELS (Self-Propelled)

Item	Part No	Qty	Description	Note
1A	7100184	2	ASSEMBLY, 9" x 2" Gear Wheel, LS Tread	w/powdered metal bushing
1A	7100175	2	ASSEMBLY, 9" x 2" Gear Wheel, LS Tread	w/nylon bushing
1B	7101104	2	ASSEMBLY, 9" x 2" Gear Wheel, Double Bar II Tread	w/nylon bushing
2A	7073618	1	BUSHING, Wheel (powdered metal)	part of item 7100184
2B	7024541	1	BUSHING, Wheel (nylon)	part of item 7100175
3	7014341	4	RETAINING RING	Waldes 5133-50
4	7024550	1	PINION, LH Drive	
5	7024549	1	PINION, RH Drive	
6	7026479	2	SEAL, Pinion (Felt)	
7	7026478	2	RETAINER, Pinion Seal	
8	7100644	2	WASHER, .531 x 1.25 x .06 thick	replaces 7091194
9	7078269	2	SHIELD, Dust	
10	7900010	2	SNAP RING, 1-3/8"	Truarc 5100-137
11	7100626	2	O-RING, Buna N, 124	
12	7090699	4	BOLT, 1/4-20 x 3/4" Hex Flange Lock	
13	7078235	1	ASSEMBLY, Axle Arm, Left Rear	
14	7078236	1	ASSEMBLY, Axle Arm, Right Rear	
15	7100633	2	GRIP, Height Latch	replaces 7027702 (voided)
16	7100627	2	O-RING, Buna N, 018	
17	7091192	2	WASHER, 1/2" Flat	
18	7091193	2	COTTER, Hairpin	
19	7100114	2	HUB CAP, 3-1/4" Diameter (black)	
20	7018834	1	* CHARGER, Battery 120V/12V	
21	7100794	1	* ADAPTER, Charger	
22	7043977	2	* SCREW, #10-24 x 1/2" Pan Head Machine	included with battery
23	7015488	1	* WIRING HARNESS, Battery	included with battery
24	7100204	1	* BATTERY, 12V Sealed Lead Acid	includes 7015488, battery harness
25	7090932	2	* NUT, #10-24 Square	included with battery
26	7900011	1	* SCREW 1/4-20 x 4" Hex Head Cap, GR 5	
27	7091584	2	* NUT, 1/4-20 Hex Flange Lock	
28	7300131	1	* BRACKET, Battery	
29	7076978	1	* NUT, 1/4-20 Hex Nyloc	
30	7024749	2	PAWL, 3/16" O.D.	
31	7500041	2	ASSEMBLY, Axle Bearing	includes items 32 & 33
32	7078214	1	HOUSING, Axle Bearing	
33	7078243	1	BALL BEARING, Axle	.50 I.D. x 1.125 O.D. x .3125 thick
34	7092016	2	* SCREW, 1/4-20 x 1-1/2" Hex Washer Self Tap	

Footnotes:

Note: * Used on electric start model only.

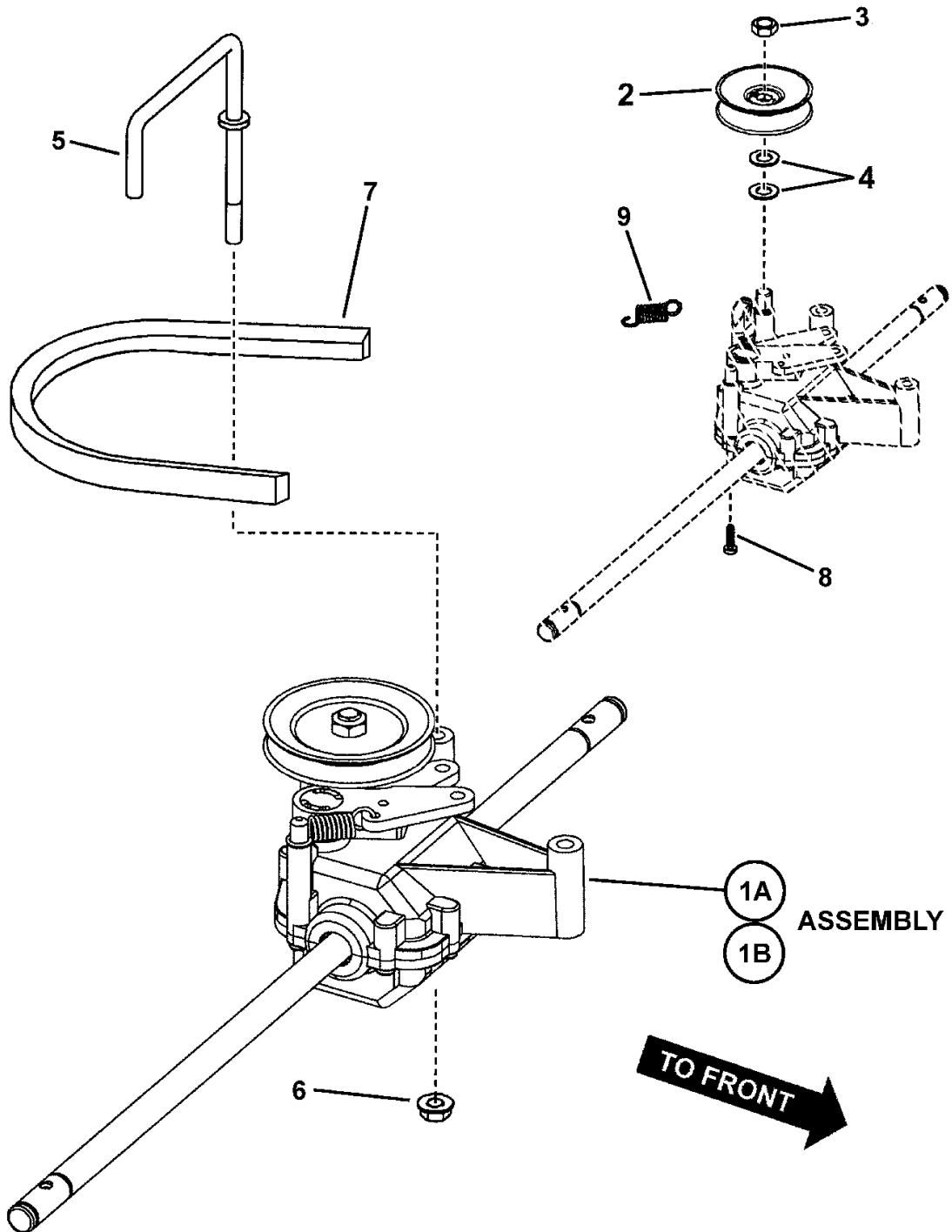
REAR DECK BRACKETS & IDLER ARM



REAR DECK BRACKETS & IDLER ARM

Item	Part No	Qty	Description	Note
1	7027174	1	SCREW, 5/16-18 x 2" Hex Head Cap, GR 5	
2	7091256	1	SCREW, 1/4-20 x 2-1/4" Hex Head Cap, GR 5	
3	7091601	5	NUT, 5/16-18 Hex Flange Lock	
4	7090799	3	BOLT, 5/16-18 x 5/8" Round Head Short Square Neck Carriage	
5A	7300047	1	BRACKET, Transmission Mounting	
5B	7300494	1	BRACKET, Transmission Mounting	
6	7100122	1	SPACER, 3/8 x 13/16 x 5/32	
7	7091545	1	NUT, 1/4-20 Hex Top Lock Flange	
8	7091619	2	NUT, 3/8-16 Hex Flange Lock	
9	7091331	1	WASHER, 13/32 x 1-1/2 x 1/8" Flat	
10	7300020	1	IDLER ARM, Belt Drive	
11	7300196	1	BELT GUIDE, Idler	
12	7100856	2	PULLEY, Flat Idler, Plastic	<i>replaces 7078245</i>
13	7090614	1	BOLT, 3/8-16 X 1-1/2" Hex Flange Lock, GR 5	
14	7100062	1	SPACER, Pivot, Belt Idler	
15	7100063	1	SPACER, Idler	
16	7300013	1	SHIELD, Debris	
17	7900009	1	BOLT, 3/8-16 x 2-1/4" Short Square Neck Carriage, GR 5	

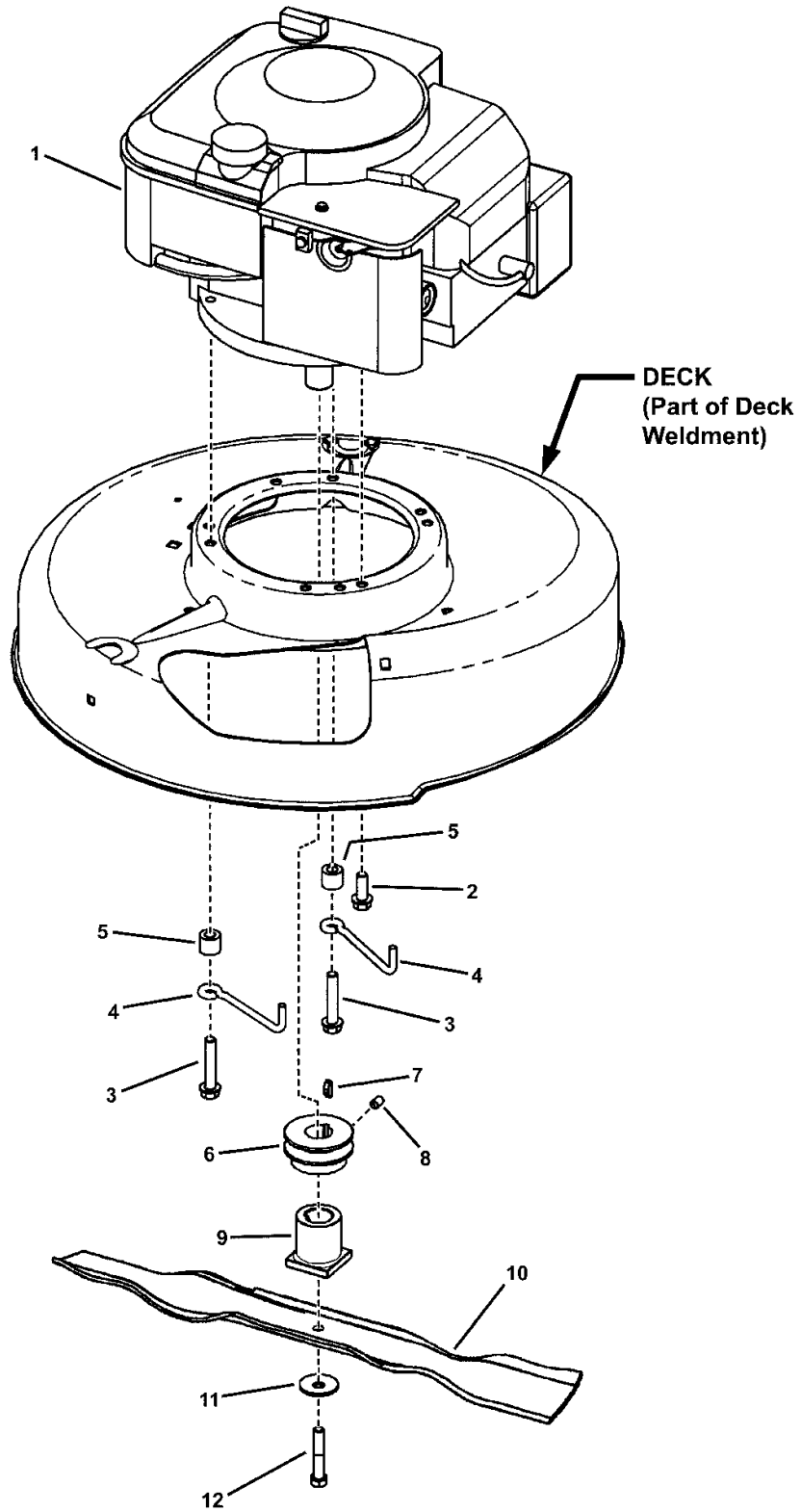
Footnotes:



TRANSMISSION

Item	Part No	Qty	Description	Note
1A	7500040	1	TRANSMISSION, LC Walk, Single Speed	<i>includes pulley (7078249)</i>
1B	7500103	1	TRANSMISSION, LC Walk, Variable Speed	<i>includes pulley (7100240)</i>
2	7078249	1	PULLEY, Transmission, Single Speed Low Cost Walk	
2	7100240	1	PULLEY, Transmission, Variable Speed Low Cost Walk	
3	1960251	1	NUT, 3/8-16 Hex Center Lock Jam	
4	7012316	2	WASHER, .390 I.D.	
5	7100395	1	BELT GUIDE, Variable Speed	<i>(1/4-20 threads)</i>
6	7091545	1	NUT, 1/4-20 Hex Top Lock Flange, GR B	
7	7100058	1	BELT, 3L, Traction Drive	<i>38.125 Nominal O.D.</i>
8	7900032	8	SCREW, 7mm x 1 x .550 AB Point	
9	7100966	1	SPRING, Clutch Return	

Footnotes:



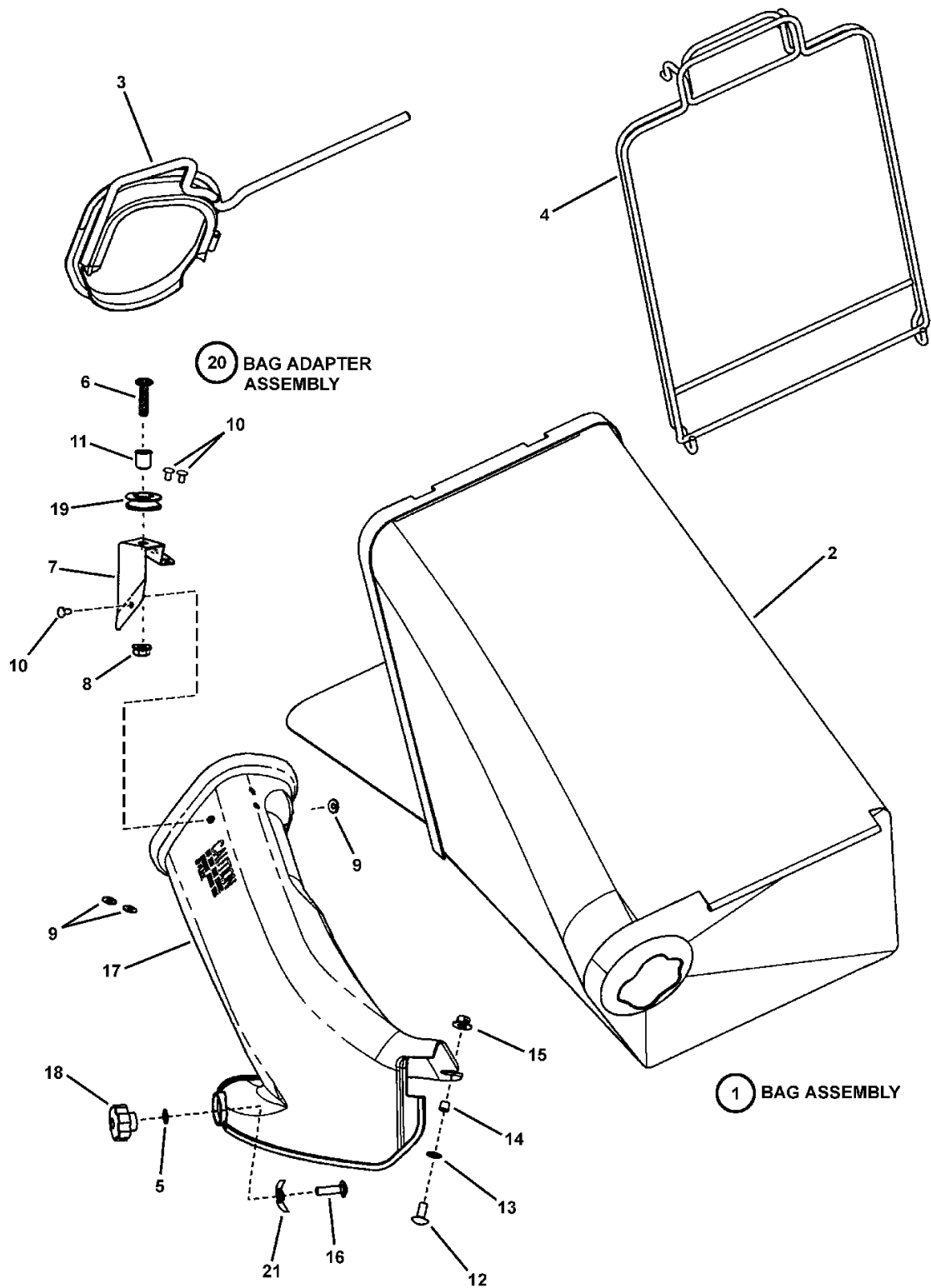
ENGINE AND BLADE

Item	Part No	Qty	Description	Note
1	--	1	* ENGINE, 6.5 B&S Quantum Model 123K0-20123-E1	
1	--	1	* ENGINE, 6.5 B&S Quantum Model 124T02-0112-E1	<i>(was 123K020141E1)</i>
1	--	1	* ENGINE, 6.5 B&S Quantum, ES Model 124T07-0114-E1	<i>(was 123K070153E1)</i>
1	--	1	* ENGINE, 6.5 B&S Quantum 650 Series 124T07-0114-B1	<i>49 state compliant</i>
2	7090324	3	SCREW, 3/8-16 x 1" Hex Washer Self-Tap	
3	7091088	2	SCREW, 3/8-16 x 2" Hex Washer Self-Tap	
4	7100022	2	GUIDE, Belt	<i>not used on push model</i>
5	7200010	2	SPACER, Belt Guide	
6	7100437	1	PULLEY, Engine	<i>not used on push model</i>
7	7091214	1	KEY, Hi-Pro (# HP-506)	
8	7092086	1	SET SCREW, 5/16-18 x 1/2" Hex Recess	<i>Type A Point (Cup Point)</i>
9	7027423	1	HUB, Blade Drive, 25 MM I.D.	
10	7100242	1	BLADE, Wave, 21" Steel Deck	
11	7012063	1	WASHER, Cone	
12	7090167	1	SCREW, 3/8-24 x 2" Hex Head Cap, GR 5	

Footnotes:

Note: * Purchase engine parts from engine manufacturer dealer.

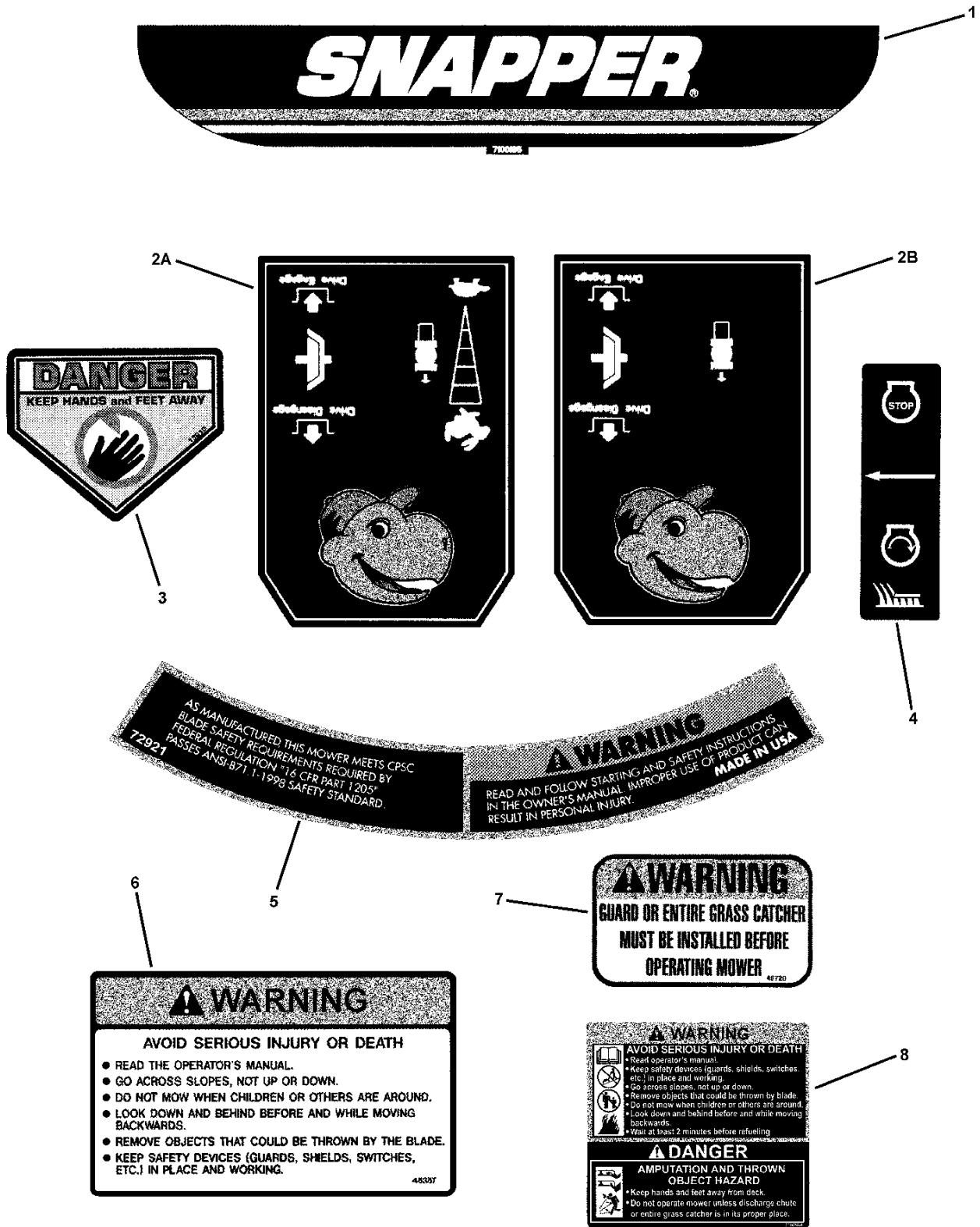
BAGGING COMPONENTS



BAGGING COMPONENTS

Item	Part No	Qty	Description	Note
1	7058571	1	BAG ASSEMBLY (Door)	<i>includes items 2 thru 4</i>
2	7075765	1	GRASS BAG (Door w/silver letters)	
3	7042489	1	CONNECTOR, Bag	<i>(weldment)</i>
4	7051906	1	ASSEMBLY, Bag Wire (12") 21S	
5	7090189	1	WASHER, 5/16" Internal/External	
6	7091984	1	SCREW, 5/16-18 x 1-1/4" Pan Head Machine	
7	7047082	1	BRACKET, Rope Pulley	
8	7091070	1	NUT, 5/16-18 Hex Flange Lock, GR 5	
9	7072107	3	WASHER, 15/32" Flat	
10	7013860	3	RIVET	
11	7012306	1	BUSHING, Flange, .381 x .625 x .62	
12	7090001	1	BOLT, 5/16-18 x 3/4" Short Square Neck Carriage, GR 5	
13	7011791	1	BOLT RETAINER, 5/16- Black	
14	7024340	1	SPACER, .316 x .375 x .300/.310	
15	7090951	1	NUT, 5/16-18 Large Flange Hex Center Lock	
16	7091833	1	SCREW, 5/16-18 x 5/8" Cross Recess Pan Head	
17	7047081	1	ADAPTER, Bag	
18	7101022	1	KNOB, Fluted (5/16-18 thread)	<i>or 7100516</i>
19	7024228	1	PULLEY, Nylon	
20	7058037	1	ASSEMBLY, Bag Adapter	
21	7900028	1	NUT, 5/16-18 Speed	<i>Shakeproof# FN-614020-1-50)</i>

Footnotes:

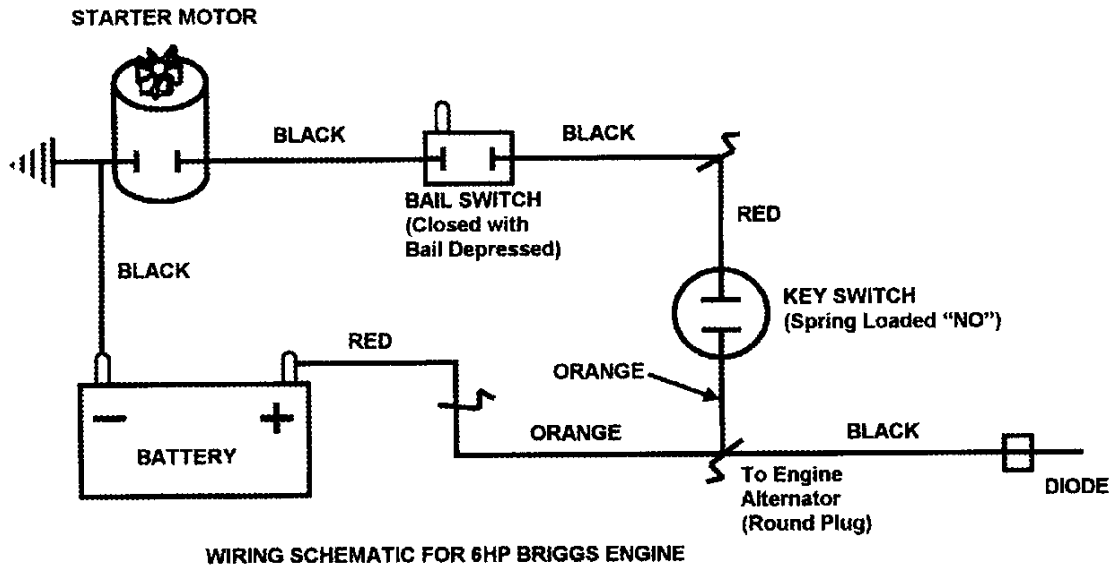
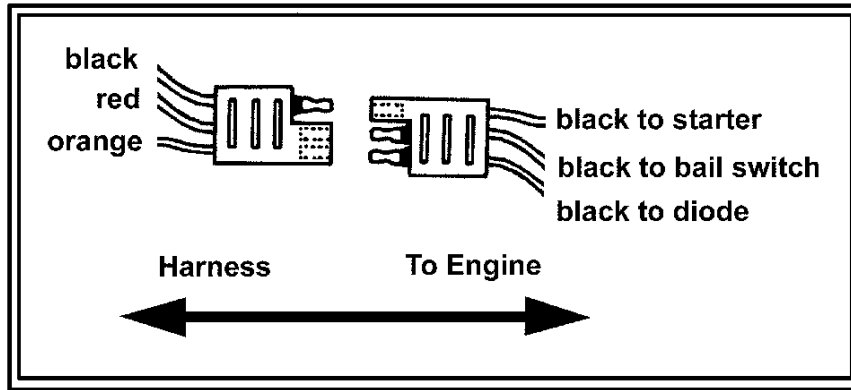


DECALS

Item	Part No	Qty	Description	Note
1	7100185	1	DECAL, SNAPPER, Steel Decks	
2A	7100342	1	DECAL, Control Head, Variable Speed	
2B	7100411	1	DECAL, Control Head, Single Speed	
3	7013010	1	DECAL, Danger, Cut Finger	
4	7029782	1	DECAL, OPC Bail International Symbol	
5	7072921	1	DECAL, Warning (Deck)	
6	7046357	1	DECAL, Warning 1997	
7	7046720	1	DECAL, Chute/Deflector	
8	7100984	1	DECAL, Warning/Danger WBM	
9	--	1	DECAL, OPEI Walk/Ride	<i>not shown; not a service part</i>
10	--	1	DECAL, Patent Numbers	<i>not shown; not a service part</i>

Footnotes:

WIRING SCHEMATIC



WIRING SCHEMATIC

Item	Part No	Qty	Description	Note
--	--	1	Wiring Schematic for Harness # 7100327	

Footnotes:

Parts Manual for

SNAPPER®

21" STEEL DECK EASY LINE WALK MOWER SERIES 0 & 1

IT IS THE POLICY OF BRIGGS & STRATTON CORP TO IMPROVE ITS PRODUCTS WHENEVER IT IS POSSIBLE AND PRACTICAL TO DO SO. WE RESERVE THE RIGHT TO MAKE CHANGES OR ADD IMPROVEMENTS AT ANY TIME WITHOUT INCURRING ANY OBLIGATION TO MAKE SUCH CHANGES ON PRODUCTS

SNAPPER® McDonough, GA, 30253 U.S.A.