

***SNAPPER* PRO**™

Parts Manual

S150X Series

Zero-Turn Riding Mower



Models:

5900686
5900696
5900665
5900697

Description:

S150XKAV2148, 48" 21HP Kawasaki Mid Mount Zero-Turn Rider
S150XKOH2348, 48" 23HP Kohler Mid Mount Zero-Turn Rider
S150XKAV2552, 52" 25HP Kawasaki Mid Mount Zero-Turn Rider
S150XKOH2752, 52" 27HP Kohler Mid Mount Zero-Turn Rider

Briggs and Stratton Yard Power Products Group

5375 North Main Street
Munnsville, NY 13409 USA
800-933-6175

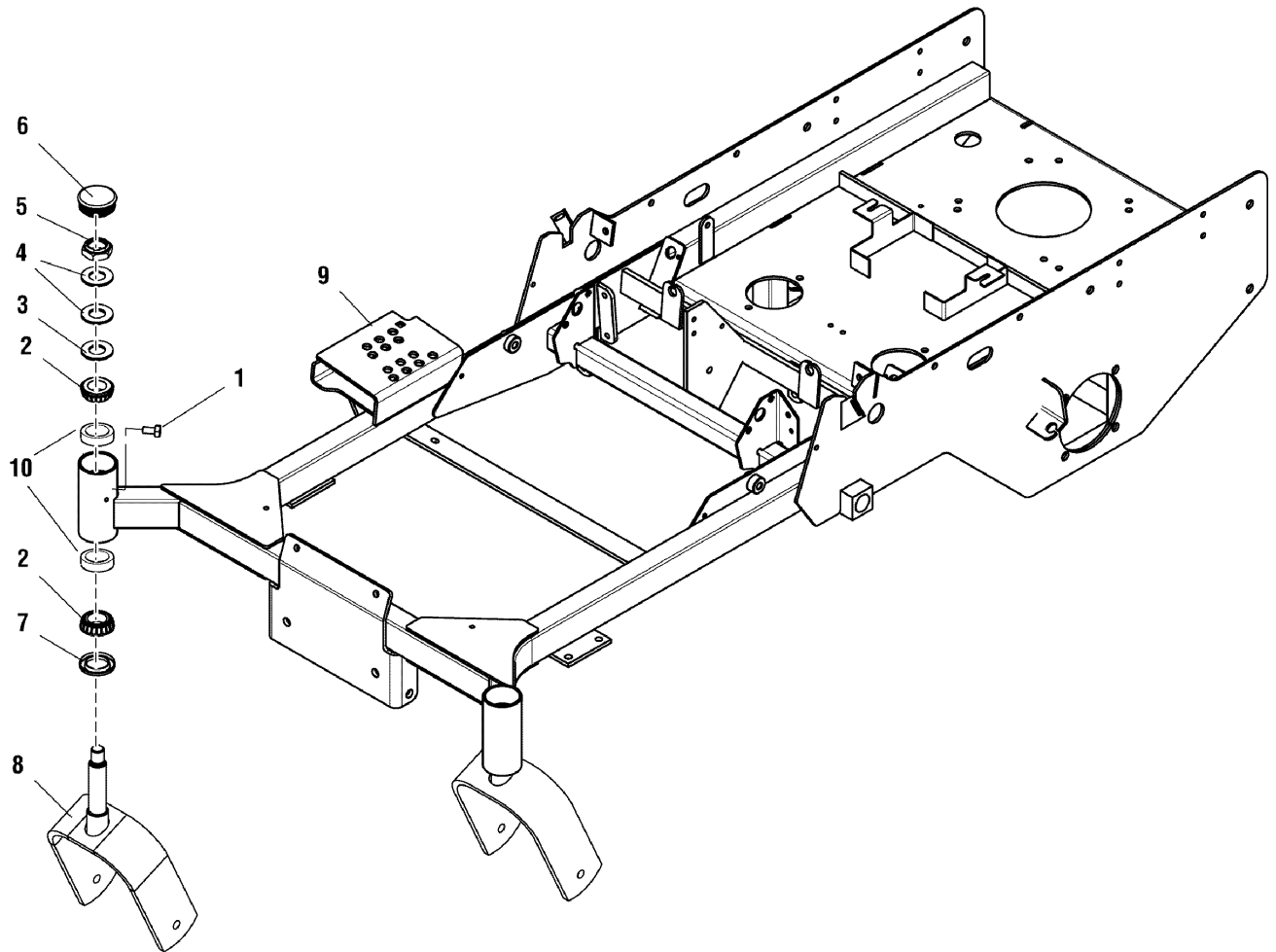
5101097
Revision F
Rev. Date: 12/2007
TP 400-7331-F-M1-SP

MODEL COMPONENTS	PAGE
Main Frame Group	4
Rear Bumper & ROPS Group	6
Seat & Kick Plate Group	8
Fuel Tank & Mount Group	10
Instrument Control Panel Group	12
Engine & PTO Group - 21 & 25 HP Kawasaki	14
Engine & PTO Group - Kohler	18
Pump Drive Group	20
Motion Control Group	22
Hydraulic Group	24
Hydraulic Mount Group	26
Parking Brake Group	28
Deck Lift Group	30
Wheel & Tire Group	34
Decals - Brand	36
Decals - Safety & Operation	38
48" & 52" Mower Deck - Hanger Chains	40
48" & 52" Mower Deck - Housing, Covers, Spindles & Blades	42
48" & 52" Mower Deck - Pulleys, Belt & Idler Arm	46
48" & 52" Mower Deck - Rollers	48
Electrical Schematics	50-53
Torque Specification Chart	Inside Back Cover

Main Frame Group

NOTE: Unless noted otherwise, use the standard hardware torque specification chart.

5300887



The above parts group applies to the following Mfg. Nos.:

5900665
5900686
5900696
5900697

Main Frame Group

REF NO.	PART NO.	QTY.	DESCRIPTION
1	5025457	2	BOLT, 1/4-28 X 1/2, GD5 YZ
2	5020884	4	BEARING, TAPERED ROLLER, 1"
3	5025160	2	WASHER, 3/4 SAE
4	5025449	4	WASHER, BELLEVILLE - 1.500 X .755
5	5025448	2	NUT, 3/4-16, HEX JAM NYLON LOCK
6	5100882	2	CAP, CASTER SPINDLE, LOW PROFILE
7	5021072	2	SEAL, GREASE
8	5402208D	2	WELD, CASTER YOKE - RED
9	5402927D	1	WELD, MAIN FRAME, SNP 2552 - RED
10	5020883	4	CUP, BEARING (SV)

Footnotes

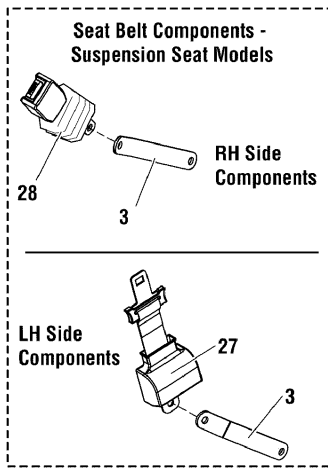
The above parts group applies to the following Mfg. Nos.:

5900665
5900686
5900696
5900697

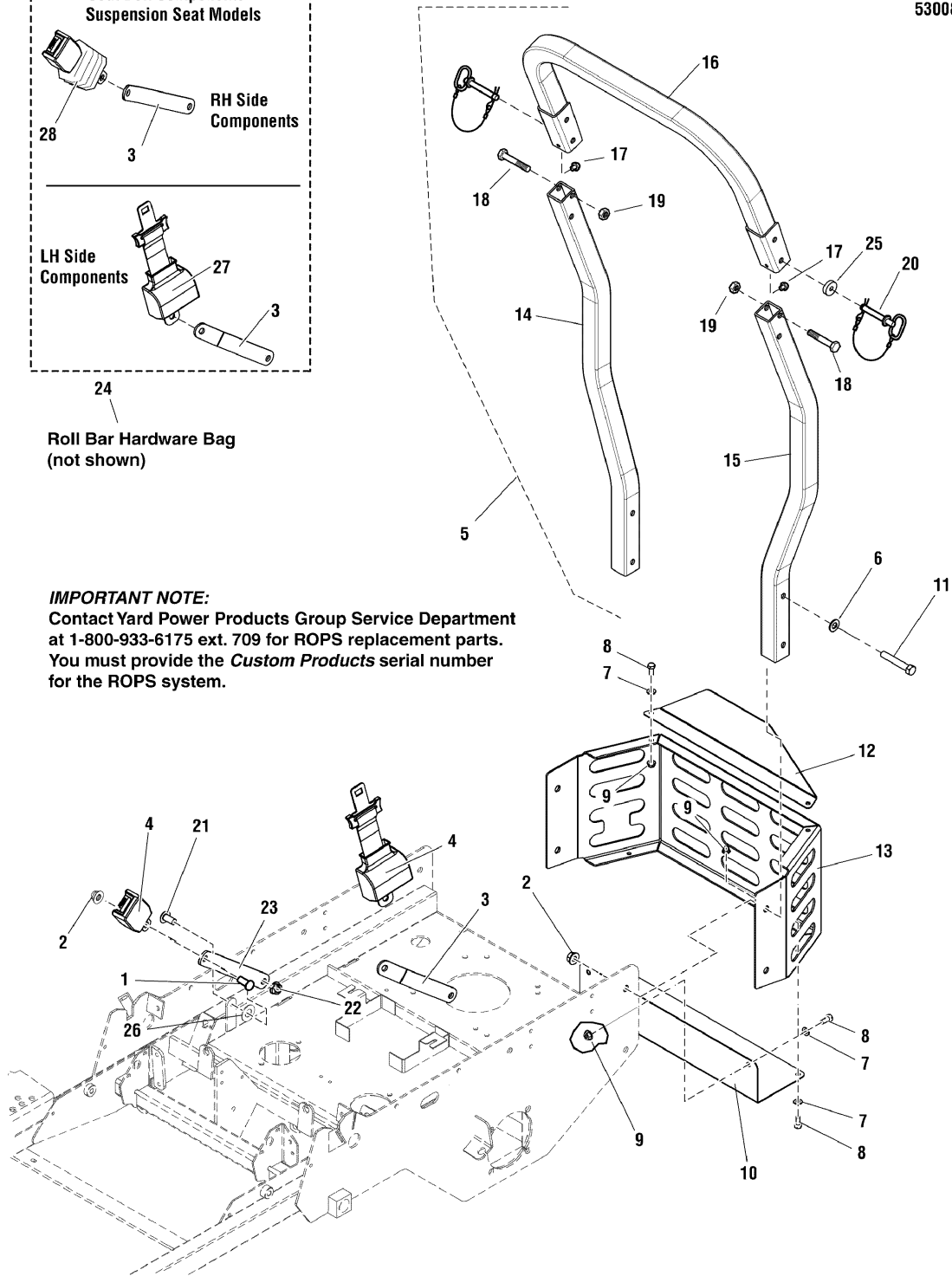
Rear Bumper & ROPS Group

NOTE: Unless noted otherwise, use the standard hardware torque specification chart.

5300888



24
Roll Bar Hardware Bag
(not shown)



IMPORTANT NOTE:
Contact Yard Power Products Group Service Department at 1-800-933-6175 ext. 709 for ROPS replacement parts. You must provide the *Custom Products* serial number for the ROPS system.

The above parts group applies to the following Mfg. Nos.:

- 5900665
- 5900686
- 5900696
- 5900697

Rear Bumper & ROPS Group

REF NO.	PART NO.	QTY.	DESCRIPTION
1	5100267	2	SCREW, 1/2-13 X 1.00, SHCS
2	5025396	6	NUT, 1/2-13 HEX NYLOCK FLANGE
3	5400844D	1	PLATE, SEAT BELT ANCHOR - LH - RED (TWO USED ON MODELS WITH SUSPENSION SEAT)
4	5100139	1	SEAT BELT, RETRACTING - ASSM (MODELS WITHOUT SUSPENSION SEAT)
5	5100190	1	ROPS COMPLETE IN BOX, SNAPPER PRO 48/52
6	5025158	4	WASHER, 1/2 SAE
7	5025155	6	WASHER, 5/16 SAE
8	5025011X6	6	BOLT, 5/16-18 X 3/4 GD5
9	5025392	6	NUT, 5/16-18 HEX NYLOCK FLANGE
10	5403116D	1	PLATE, HEAT SHIELD - RED
11	5025017X10	4	BOLT, 1/2-13 X 1-1/4 GD5
12	5402793D	1	PLATE, CARB. SHIELD - RED
13	5402934D	1	WELD, PLATE, BUMPER - RED
14	-	1	* ROLL BAR POST, RH (SV)
15	-	1	* ROLL BAR POST, LH (SV)
16	-	1	* ROLL BAR TOP LOOP (SV)
17	5100383	2	RUBBER BUMPER (SV)
18	-	2	* BOLT (SV)
19	-	2	* NUT (SV)
20	5100079	2	PIN, HITCH, BLACK W/ PLASTIC LANYARD (SV)
21	5025018X10	2	BOLT, 1/2-20 X 1-1/4" GD8 YZ
22	5025098	2	NUT, 1/2-20 HEX NYLON LOCK
23	5400847D	1	MOUNT, SEAT BELT - RH - RED (MODELS WITHOUT SUSPENSION SEAT)
24	5100377	1	ROLL BAR HARDWARE BAG (SV) (INCLUDES HITCH PIN)
25	5100545	2	RUBBER WASHER (SV)
26	5025440	2	WASHER, 1/2", GD9, YZ
27	5101223	1	SEAT BELT, SUPER SLEEVE (MODELS WITH SUSPENSION SEAT)
28	5101226	1	SEAT BELT, RETRACTING (MODELS WITH SUSPENSION SEAT)

Footnotes

NOTE: * Contact Yard Power Products Group Service Department at 1-800-933-8175 ext.709 for ROPS replacement parts. You must provide the Custom Products serial number for the ROPS system.

The above parts group applies to the following Mfg. Nos.:

5900665
5900686
5900696
5900697

Seat & Kick Plate Group

NOTE: Unless noted otherwise, use the standard hardware torque specification chart.

Non-Suspension Seat Replacement Parts

14 - Arm Rest (Set of Two)

15 - Spring, Seat Adjustment

16 - Kit, Seat Rails, Complete

Suspension Seat Replacement Parts

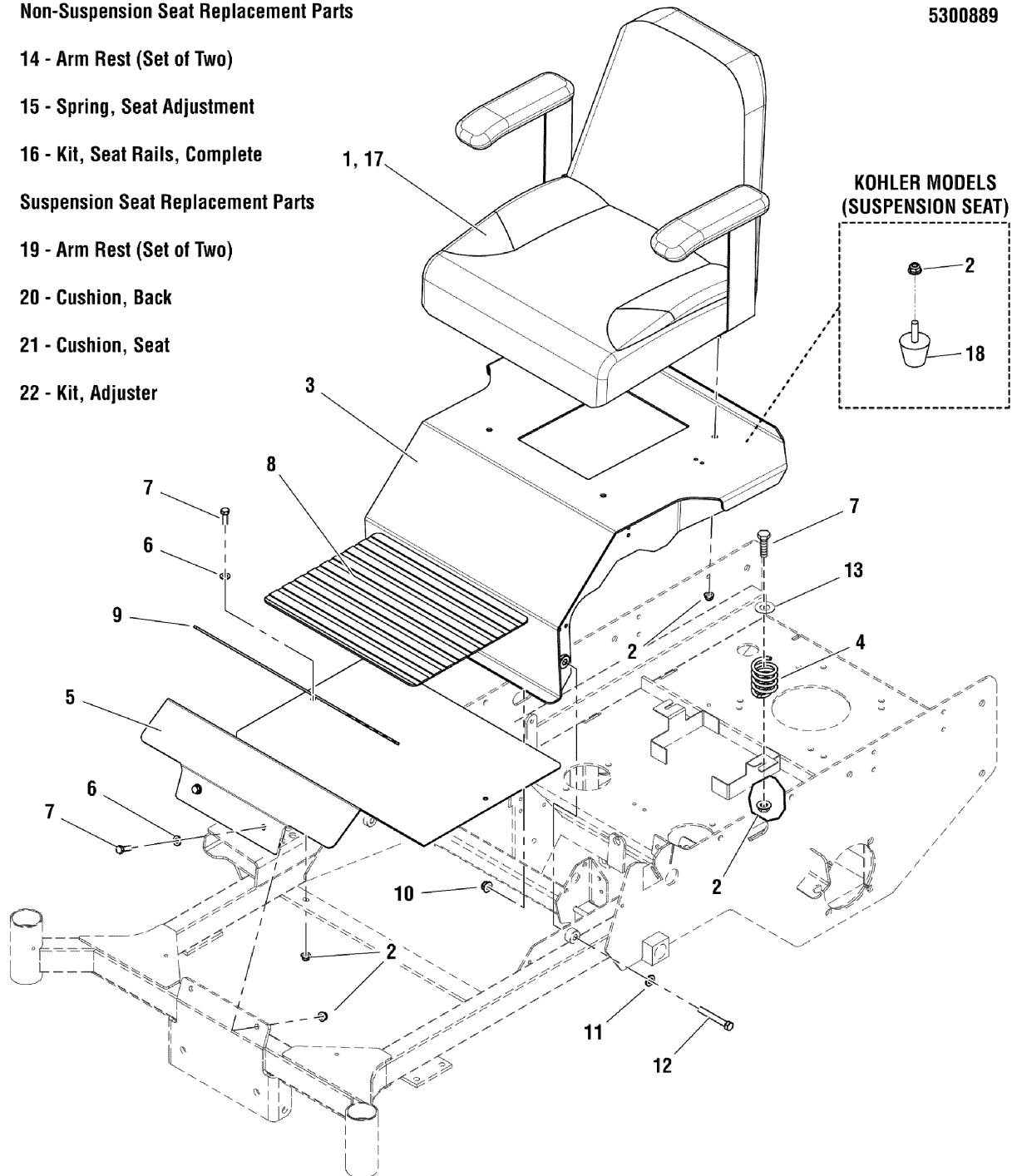
19 - Arm Rest (Set of Two)

20 - Cushion, Back

21 - Cushion, Seat

22 - Kit, Adjuster

5300889



The above parts group applies to the following Mfg. Nos.:

5900665
 5900686
 5900696
 5900697

Seat & Kick Plate Group

REF NO.	PART NO.	QTY.	DESCRIPTION
1	5101214	1	SEAT, SUSP TYPE (KOHLEER MODELS)
2	5025392	12	NUT, 5/16-18 HEX NYLOCK FLANGE
3	5402925D	1	WELD, SEAT PLATE - RED
4	7078299	2	SPRING, SEAT SUPPORT (KAWASAKI MODELS)
5	5402779D	1	PLATE, FLOOR PAN - RED
6	5025155	4	WASHER, 5/16 SAE
7	5025011X8	6	BOLT, 5/16-18 X 1 GD5 YZ (KAWASAKI MODELS)
8	5101013	1	SAFETY WALK, 11.50 X 15.00
9	5101011	1	SAFETY WALK, 8.00 X 15.00
10	5025394	2	NUT, 3/8-16 HEX NYLOCK FLANGE
11	5025156	2	WASHER, 3/8 SAE
12	5025013X22	2	BOLT, 3/8-16 X 2-3/4" GD5 YZ
13	5044617	2	WASHER, .34 X 1.25 X 10 GA (KAWASAKI MODELS)
14	1686907	1	ARM REST (SET OF TWO) (SV) (NON-SUSPENSION SEAT ONLY)
15	5100636	1	SPRING, SEAT ADJUSTMENT (SV) (NON-SUSPENSION SEAT ONLY)
16	5061599X1	1	KIT, SEAT RAILS, COMPLETE (SV) (NON-SUSPENSION SEAT ONLY)
17	5061599	1	SEAT, XB-150, NO LOGO, BLACK (KAWASAKI MODELS)
18	5022612	2	BUMPER, RUBBER (KOHLEER MODELS)
19	5101214X1	1	KIT, ARM REST, SET OF TWO, S/S (SV) (SUSPENSION SEAT ONLY)
20	5101214X2	1	CUSHION, BACK, S/S (SV) (SUSPENSION SEAT ONLY)
21	5101214X3	1	CUSHION, SEAT, S/S (SV) (SUSPENSION SEAT ONLY)
22	5101214X4	1	KIT, ADJUSTER, S/S (SV) (SUSPENSION SEAT ONLY)

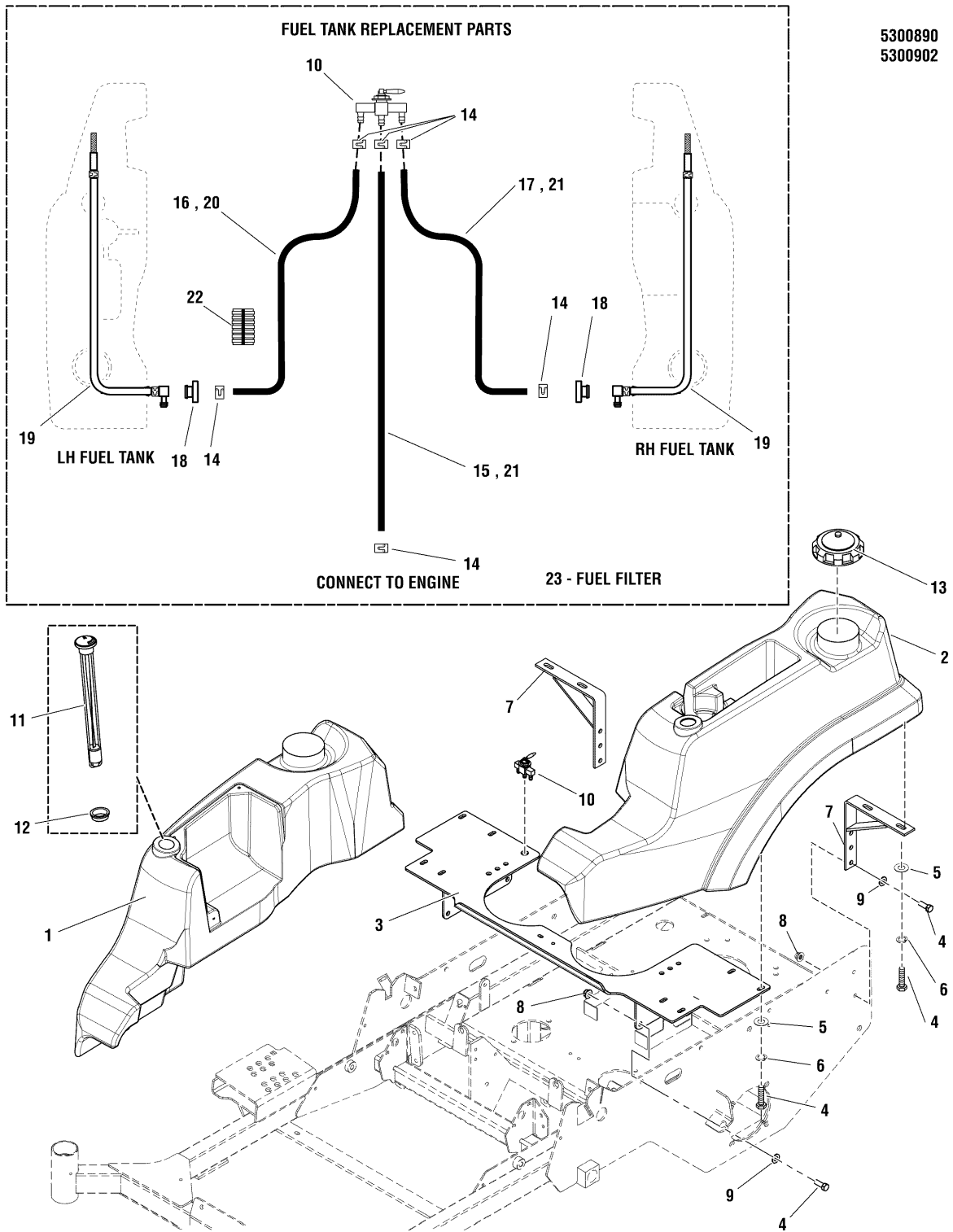
Footnotes

The above parts group applies to the following Mfg. Nos.:

5900665
5900686
5900696
5900697

Fuel Tank & Mount Group

NOTE: Unless noted otherwise, use the standard hardware torque specification chart.



The above parts group applies to the following Mfg. Nos.:

5900665
5900686
5900696
5900697

Fuel Tank & Mount Group

REF NO.	PART NO.	QTY.	DESCRIPTION
1	5101043	1	TANK, FUEL, SNAPPER PRO - RH
2	5101044	1	TANK, FUEL, SNAPPER PRO - LH
3	5402926D	1	WELD, TANK MOUNT - RED
4	5025011X6	14	BOLT, 5/16-18 X 3/4 GD5
5	5025155	14	WASHER, 5/16 SAE
6	5025170	12	WASHER, 5/16 LOCK YZ
7	5403582D	2	WELD, TANK MOUNT, REAR
8	5025394	4	NUT, 3/8-16 HEX NYLOCK FLANGE
9	5025156	4	WASHER, 3/8 SAE
10	5023358	1	VALVE, FUEL, STR. OUTLET
11	5022917	2	FUEL GUAGE, 12" (SV)
12	5022917X1	2	GROMMET, FUEL GUAGE (SV)
13	5022158	2	CAP, FUEL TANK, 3-1/2 NECK
14	5020835	6	CLAMP, HOSE, EXTERNAL, 1/2 - RED
15	5050831X18	1	HOSE, LW PRMTN, 1/4" FUEL, 18.00" (SV)
16	5050831X48	1	HOSE, LW PRMTN, 1/4" FUEL, 48.00" (SV)
17	5050831X28	1	HOSE, LW PRMTN, 1/4" FUEL, 28.00" (SV)
18	5600050	2	KIT, BUSHING, FUEL (SV)
19	5101144	2	PICKUP TUBE ASSEMBLY, FUEL LINE (SV)
20	5050831X28	2	HOSE, LW PRMTN, 1/4" FUEL, 28.00" (SV)
21	5050831X52	2	HOSE, LW PRMTN, 1/4" FUEL, 52.00" (SV)
22	5050833X18	1	WIRE LOOM, 1/2 ID X 18.00" (SV)
23	5021178X3	1	FILTER, FUEL

Footnotes

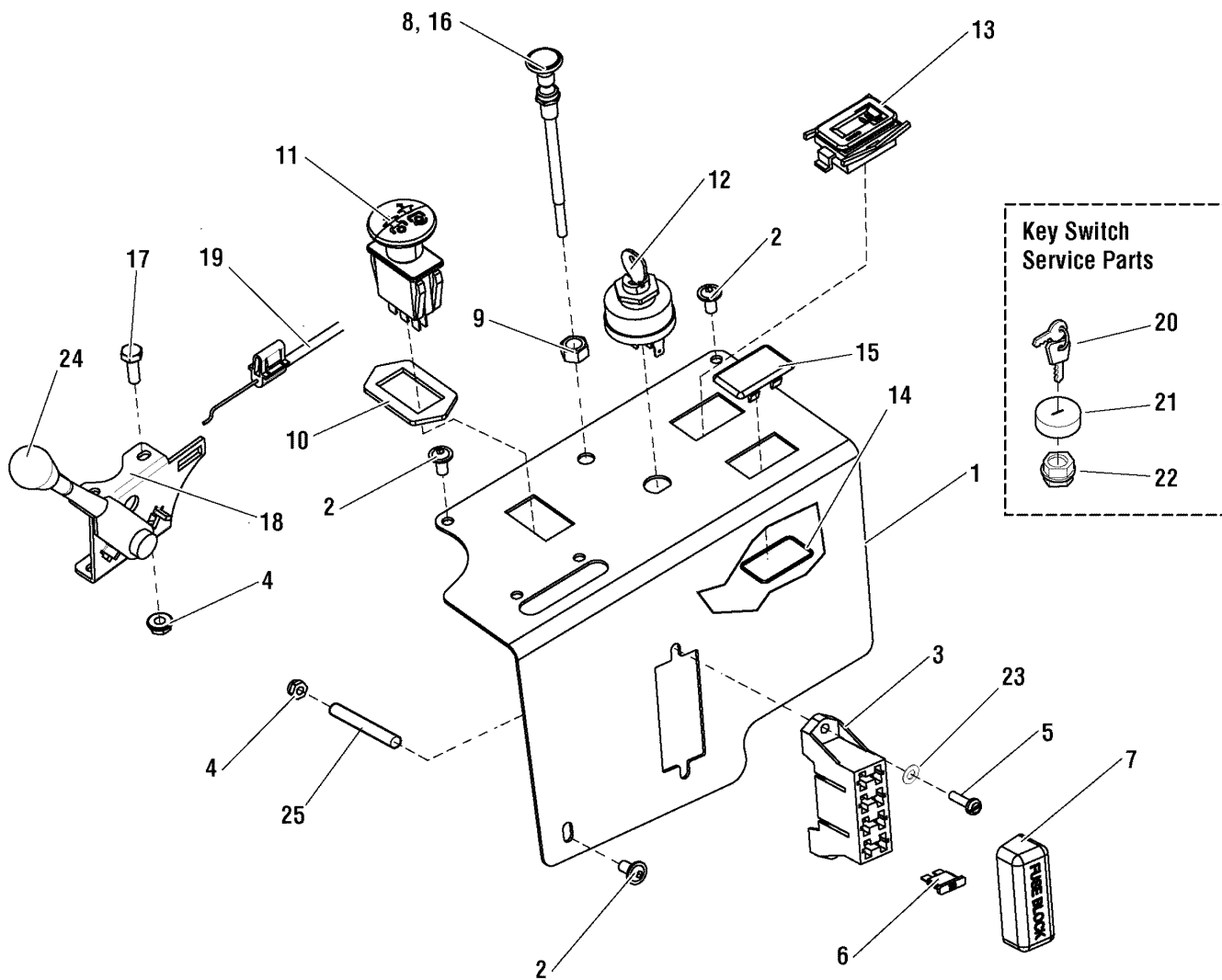
The above parts group applies to the following Mfg. Nos.:

5900665
5900686
5900696
5900697

Instrument Control Panel Group

NOTE: Unless noted otherwise, use the standard hardware torque specification chart.

53000891



The above parts group applies to the following Mfg. Nos.:

5900665
5900686
5900696
5900697

Instrument Control Panel Group

REF NO.	PART NO.	QTY.	DESCRIPTION
1	5402769A	1	PLATE, CONTROL PANEL, SNP - BLK
2	5025299X4	3	SCREW, 1/4-20 X 1/2 ALLEN BH
3	5021518	1	FUSE BLOCK (SV)
4	5025271	4	NUT, #10-24 HEX NYLON LOCK
5	5025270X16	2	SCREW, #10-24 X 2" ROUND PHILLIPS
6	5021603	4	FUSE, ATP, 20 AMP (SV)
7	5022805	1	COVER, VINYL FUSEBLOCK
8	5046501	1	CABLE, CHOKE CONTROL, 47" (KAWASAKI MODELS)
9	5025035	1	NUT, 3/8-24 HEX
10	5022222	1	RING, SWITCH RETAINER
11	5022180	1	SWITCH, BLADE ENGAGEMENT
12	5020927	1	SWITCH, IGNITION, 6 POST
13	5100996	1	HOUR METER, W/ SUPPRESSOR
14	5022269	1	O-RING, 7/8 ID X 1/16 W
15	1709188	1	PLUG, .820X1.44 HOLE, BLACK PLASTIC
16	5047912	1	CABLE, CHOKE CONTROL, 56" (KOHLEER MODELS)
17	5025179X6	2	SCREW, 10-24 X 3/4
18	5101118	1	LEVER, THROTTLE
19	5061650	1	CABLE, THROTTLE CONTROL 41.5"
20	5022789	1	KEY, IGNITION, MOLDED SET (SV)
21	5022790	1	COVER (SV)
22	5022791	1	PLASTIC NUT (SV)
23	5023499	2	WASHER, #10 SAE
24	5046360X1	1	KNOB, THROTTLE CONTROL
25	5061763	2	SPACER, .20 X .38 X 1.25

Footnotes

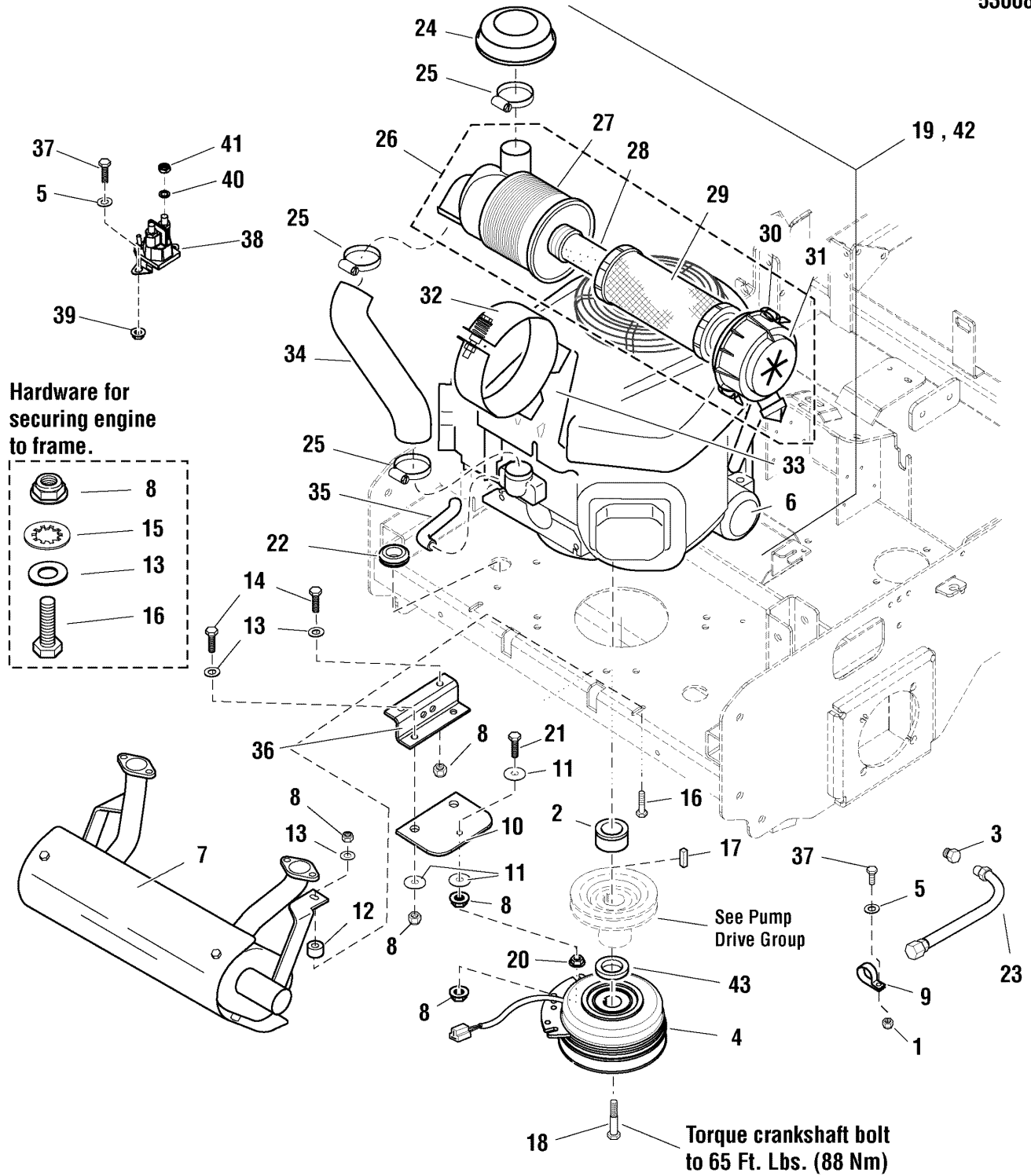
The above parts group applies to the following Mfg. Nos.:

5900665
5900686
5900696
5900697

Engine & PTO Group - 21 & 25 HP Kawasaki

NOTE: Unless noted otherwise, use the standard hardware torque specification chart.

5300892



The above parts group applies to the following Mfg. Nos.:

5900665
5900686

Engine & PTO Group - 21 & 25 HP Kawasaki

REF NO.	PART NO.	QTY.	DESCRIPTION
1	5025391	1	NUT, 1/4-20 HEX NYLOCK FLANGE
2	5047033	1	SPACER, 1.13 X 1.75 X 1.03
3	5022234	1	ADAPTER, OIL DRAIN
4	5100084	1	CLUTCH, 5218-134, WARNER
5	5025154	1	WASHER, 1/4 SAE
6	5021334X1	1	OIL FILTER (49065-2078) (SV)
7	5100975	1	MUFFLER, 21HP-25HP KAWASAKI ENGINES
8	5025392	1	NUT, 5/16-18 HEX NYLOCK FLANGE
9	5021500	1	CLAMP, VINYL INSULATED
10	5043636	1	CLUTCH ANCHOR PAD
11	5044617	4	WASHER, .34 X 1.25 X 10 GA
12	5046446	2	SPACER, .39 X 1.00 X .80
13	5025155	6	WASHER, 5/16 SAE
14	5025011X8	4	BOLT, 5/16-18 X 1 GD5 YZ
15	5025188	4	WASHER, 5/16" INT. TOOTH LOCK
16	5025011X14	5	BOLT, 5/16-18 X 1-3/4 GD5 YZ
17	5050407X8	1	KEY, 1/4 SQ. X 1.00
18	5047632	1	BOLT, CRANKSHAFT, 7/16 X 2-3/4, PATCH YZ
19	--	1	* ENGINE, 25HP KAWASAKI, (Mod. FH721V Spec. ES27-R) (25 HP MODELS ONLY)
20	5025127	1	NUT, 5/16-18 HEX SERRATED FLANGE (SMALL)
21	5025052X18	1	BOLT, 5/16-18 X 2-1/4 TFL, GD5 YZ
22	5021379	1	GROMMET, 7/8
23	5048681	1	HOSE, OIL DRAIN
24	5023143	1	RAIN COVER (SV)
25	5023146	3	CLAMP (SV)
26	5023138	1	AIR FILTER ASSEMBLY (SV)
27	5023139	1	CASE, AIR FILTER (SV)
28	5023140	1	AIR FILTER, SECONDARY (SV)
29	5023141	1	AIR FILTER, PRIMARY (SV)
30	5023147	2	CLAMP, CAP (SV)
31	5023144	1	CAP, FILTER CASE (SV)
32	5023145	1	CASE, BRACKET, COMPLETE (SV)
33	5023142	1	BRACKET PLATE (SV)
34	5023149	1	AIR INLET TUBE (SV)
35	5023148	1	BREATHER TUBE (SV)
36	5046416D	1	ANCHOR, CLUTCH - RED
37	5025010X6	1	BOLT, 1/4-20 X 3/4 GD5 YZ
38	1724815	1	SOLENOID-4 POLE 12 VOLT DC (TROMBETTA)
39	5025126	1	NUT, 1/4-20 HEX SERR. FLANGE
40	5023217	2	WASHER, 5/16 LIGHT LOCK (SV)
41	5023216	2	NUT, 5/16-24 JAM (SV)

Footnotes

NOTE: * Purchase engine components directly from engine manufacturer dealer.

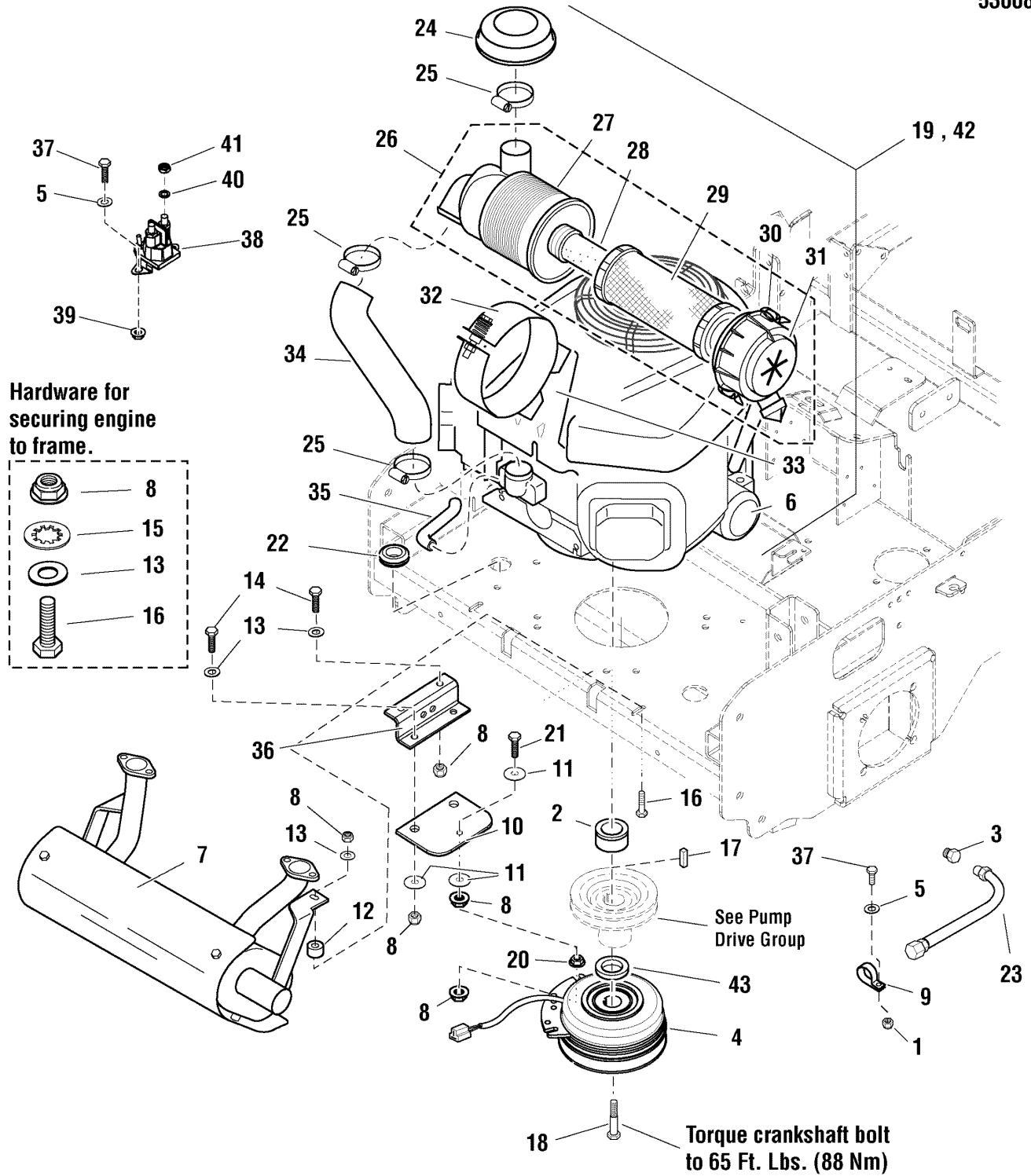
The above parts group applies to the following Mfg. Nos.:

5900665
5900686

Engine & PTO Group - 21 & 25 HP Kawasaki

NOTE: Unless noted otherwise, use the standard hardware torque specification chart.

5300892



The above parts group applies to the following Mfg. Nos.:

5900665
5900686

Engine & PTO Group - 21 & 25 HP Kawasaki

REF NO.	PART NO.	QTY.	DESCRIPTION
42	--	1	* ENGINE, 21HP KAWASAKI, (Mod FH641V Spec. ES25-R) (21 HP MODELS ONLY)
43	5100062	1	SPACER, 1.13 X 1.75 X .32

Footnotes

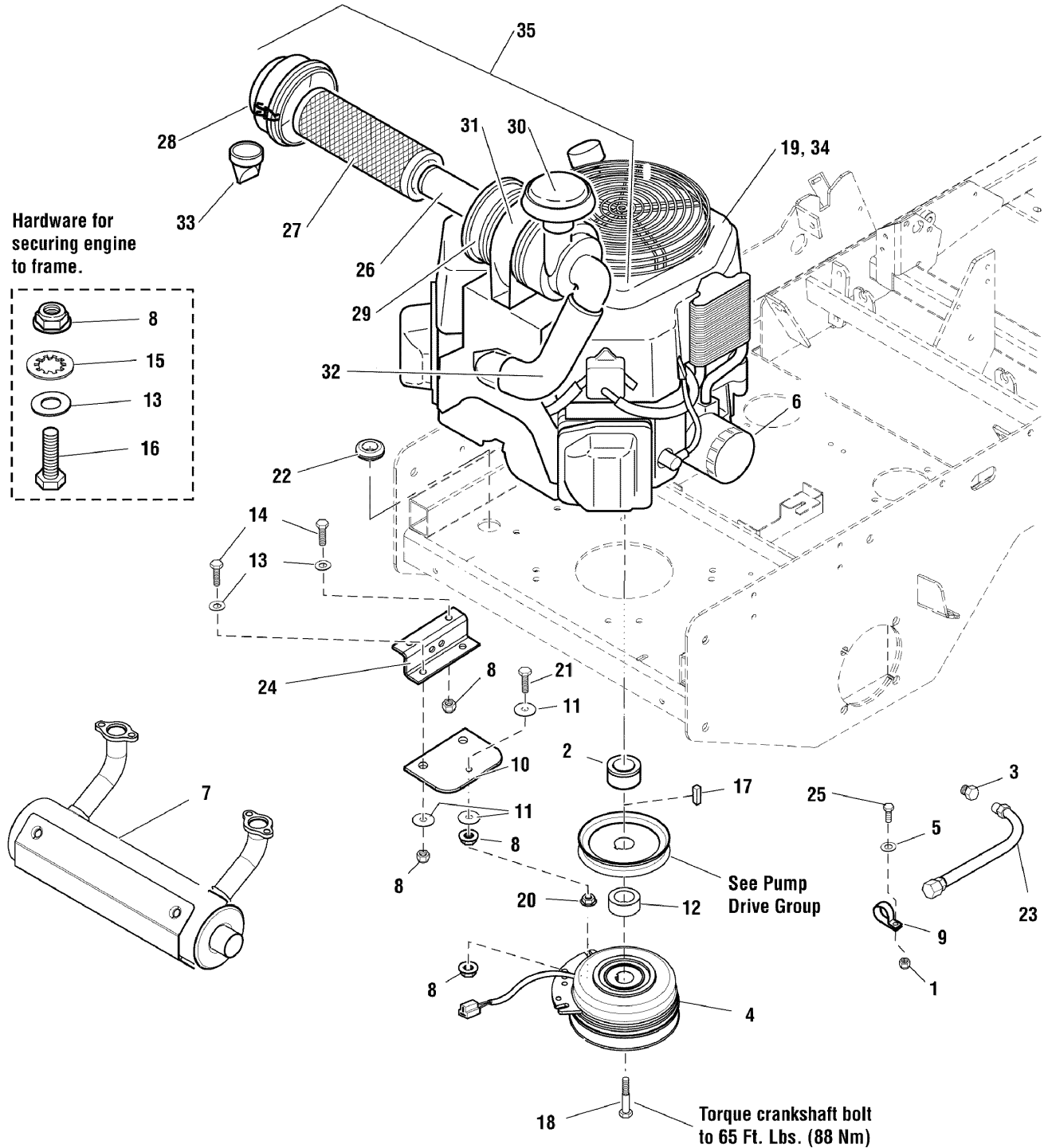
NOTE: * Purchase engine components directly from engine manufacturer dealer.

The above parts group applies to the following Mfg. Nos.:

5900665
5900686

Engine & PTO Group - Kohler

NOTE: Unless noted otherwise, use the standard hardware torque specification chart.



The above parts group applies to the following Mfg. Nos.:

- 5900696
- 5900697

Engine & PTO Group - Kohler

REF NO.	PART NO.	QTY.	DESCRIPTION
1	5025391	1	NUT, 1/4-20 HEX NYLOCK FLANGE
2	5047033	1	SPACER, 1.13 X 1.75 X 1.03
3	5022234	1	ADAPTER, OIL DRAIN
4	5100084	1	CLUTCH, 5218-134, WARNER
5	5025154	1	WASHER, 1/4 SAE
6	5021144X1	1	OIL FILTER (SV)
7	5101275	1	MUFFLER, KOHLER 21 HP - 27 HP
8	5025392	1	NUT, 5/16-18 HEX NYLOCK FLANGE
9	5021500	1	CLAMP, VINYL INSULATED
10	5043636	1	CLUTCH ANCHOR PAD
11	5044617	4	WASHER, .34 X 1.25 X 10 GA
12	5101289	2	SPACER, 1.13 X 1.75 X .75
13	5025155	6	WASHER, 5/16 SAE
14	5025011X8	4	BOLT, 5/16-18 X 1 GD5 YZ
15	5025188	4	WASHER, 5/16" INT. TOOTH LOCK
16	5025011X14	5	BOLT, 5/16-18 X 1-3/4 GD5 YZ
17	5050407X8	1	KEY, 1/4 SQ. X 1.00
18	5045289	1	BOLT, CRANKSHAFT, 7/16"X2-1/2
19	-	1	* ENGINE, 27HP KOHLER
20	5025127	1	NUT, 5/16-18 HEX SERRATED FLANGE (SMALL)
21	5025052X18	1	BOLT, 5/16-18 X 2-1/4 TFL, GD5 YZ
22	5021379	1	GROMMET, 7/8
23	5048681	1	HOSE, OIL DRAIN
24	5046416D	1	ANCHOR, CLUTCH - RED
25	5025010X6	1	BOLT, 1/4-20 X 3/4 GD5 YZ
26	5022892X2	1	AIR FILTER, SECONDARY (SV)
27	5022892X1	1	AIR FILTER, PRIMARY (SV)
28	5022892X5	2	END CAP (25 096 06-S) (SV)
29	5022892X7	1	HOUSING (25 081 01-S) (SV)
30	5022892X3	1	RAIN COVER (SV)
31	5022892X8	1	BRACKET (25 126 02-S) (SV)
32	5022892X9	1	AIR INLET TUBE (25 326 53-S) (SV)
33	5022892X6	1	DUST CAP (24 462 07-S) (SV)
34	-	1	* ENGINE, 23HP KOHLER
35	5022892X4	1	KIT, 5.5" HD AIR CLEANER (24 743 22-S) (SV)

Footnotes

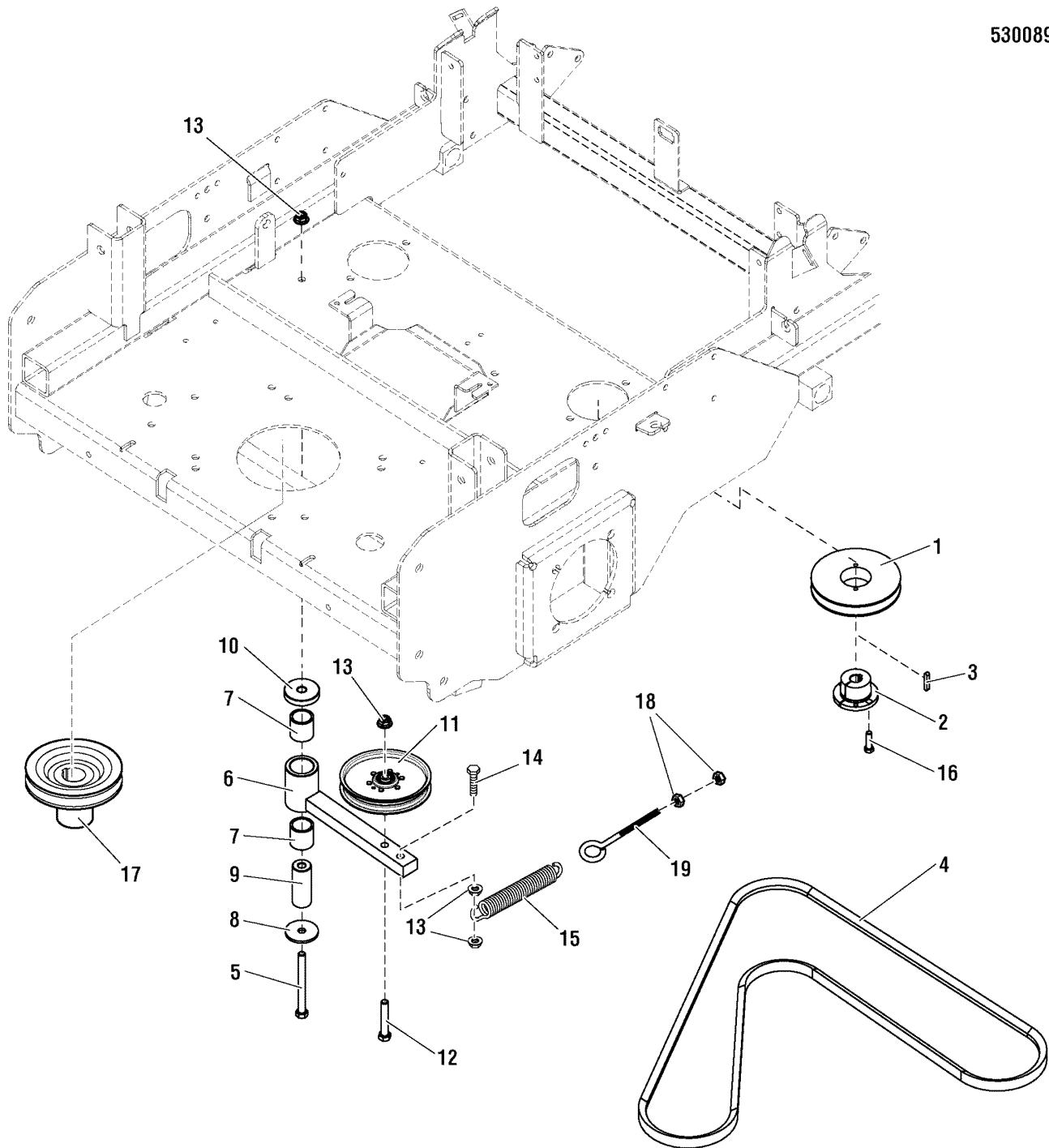
The above parts group applies to the following Mfg. Nos.:

5900696
5900697

Pump Drive Group

NOTE: Unless noted otherwise, use the standard hardware torque specification chart.

5300893



The above parts group applies to the following Mfg. Nos.:

5900665
5900686
5900696
5900697

Pump Drive Group

REF NO.	PART NO.	QTY.	DESCRIPTION
1	5101023	2	PULLEY, SPLIT STEEL 5.632 OVER BALL
2	5022587	2	BUSHING, TAPERED HUB
3	5023254	2	KEY, 5MM SQ. W/ RADIUS
4	5100923	1	BELT, #7-9502, B-SECT - EL 67.8, HYDRO
5	5025013X32	1	BOLT, 3/8-16 X 4 GD5 YZ
6	5046430D	1	WELD, ARM, PUMP DRIVE IDLER - RED
7	5022157	2	BUSHING, BRASS, 1.25X1X1.25
8	5025305	1	WASHER, .41 X 1.75 X .14
9	5045135	1	SPACER, .39 X 1.00 X 2.55
10	5045475	1	SPACER, .45 X 1.88 X .38
11	5101193	1	PULLEY, IDLER
12	5025013X18	1	BOLT, 3/8-16 X 2-1/4 GD5 YZ
13	5025394	4	NUT, 3/8-16 HEX NYLOCK FLANGE
14	5025013X14	1	BOLT, 3/8-16 X 1-3/4 GD5
15	5022847	1	SPRING, EXTENSION, SWIVEL END
16	5025010X8	4	BOLT, 1/4-20 X 1", GD5
17	5101022	1	PULLEY, 5.15 OD X 1-1/8 BORE B-SECT
18	5025034	2	NUT, 3/8-16 HEX
19	5023497	1	EYE BOLT, 3/8-16 X 5", 1 EYE

Footnotes

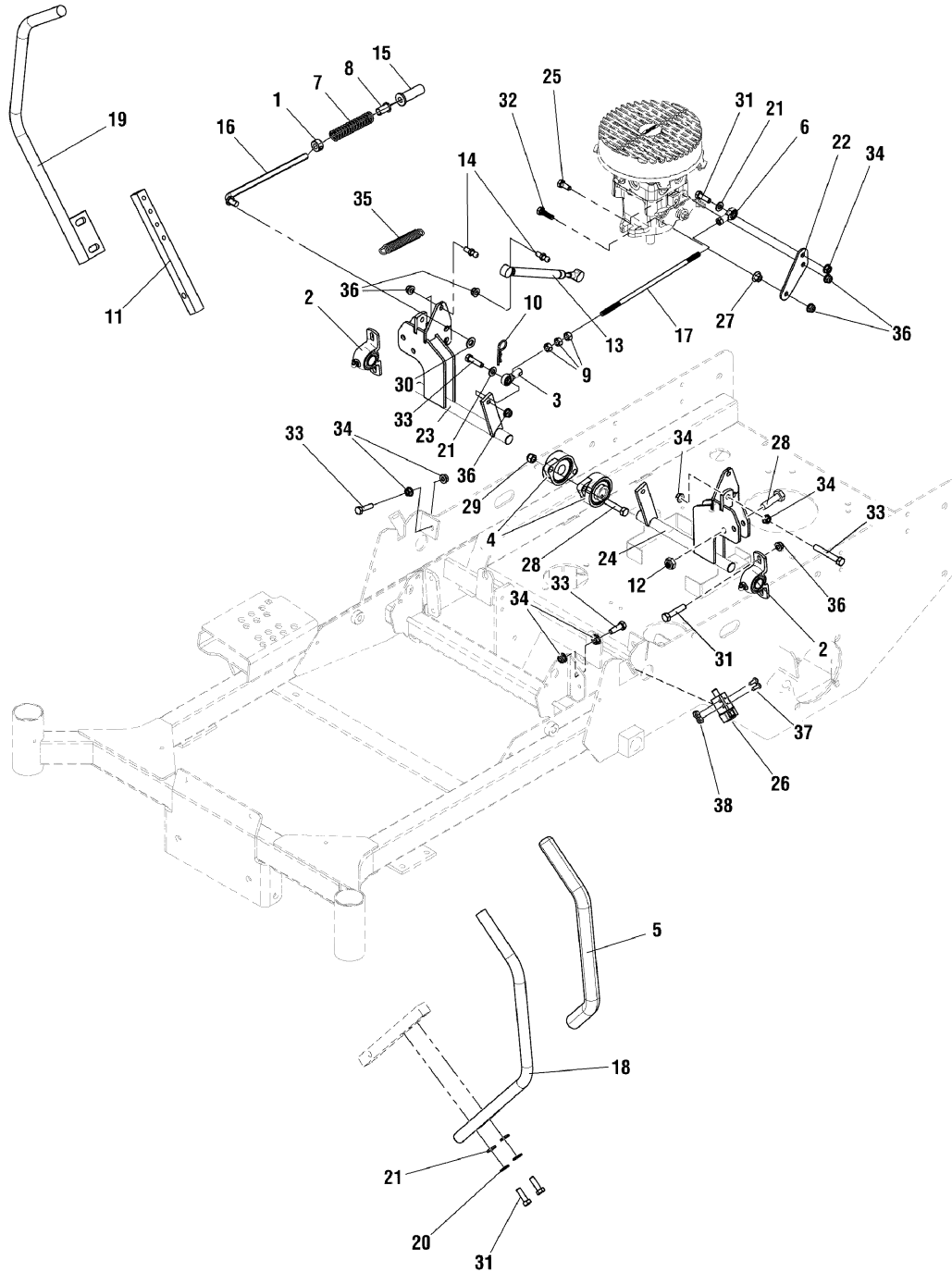
The above parts group applies to the following Mfg. Nos.:

5900665
5900686
5900696
5900697

Motion Control Group

NOTE: Unless noted otherwise, use the standard hardware torque specification chart.

5300894



The above parts group applies to the following Mfg. Nos.:

5900665
5900686
5900696
5900697

Motion Control Group

REF NO.	PART NO.	QTY.	DESCRIPTION
1	5010546	2	COLLAR, 3/8" SET
2	5101077	2	BEARING, 3/4" PILLOW BLOCK
3	5021146	2	BALL JOINT, 5/16-24, FEMALE
4	5021499	2	BEARING, FLANGE
5	5022068	2	GRIP, FOAM, 3/4 ID, 16 LONG
6	5021146	2	BALL JOINT, 5/16-24, FEMALE
7	5022645	2	SPRING, REVERSE RETURN
8	5023260	2	BUSHING, NYLON
9	5025033	6	NUT, 5/16-24 HEX
10	5025210	2	PIN, HAIR, .0915 X 1-7/8
11	5047004	2	MOUNT, CONTROL ARM
12	5025394	4	NUT, 3/8-16 HEX NYLOCK FLANGE
13	5100940	2	DAMPENER, CONTROL,#(P6709/P3610)
14	5100941	4	BALL STUD, 5/16 X .50,# PC-477-2)
15	5100942	2	BUSHING, FLANGED .375 X .630 X 2.00
16	5100947	2	ROD, NEUTRAL RETURN
17	5101135	2	ROD, HYDRO LINKAGE
18	5400636D	1	WELD, HANDLE MOTION CONTROL LH - RED
19	5400637D	1	WELD, HANDLE MOTION CONTROL RH - RED
20	5025170	4	WASHER, 5/16 LOCK YZ
21	5402930D	0	WELD, NEUTRAL PLATE, LH, SNP 2552 - RED
22	5402622D	2	PLATE, PUMP SUPPORT - RED
23	5402931D	1	WELD, CONTROL SHAFT, RH, SNP 2552 - RED
24	5402932D	1	WELD, CONTROL SHAFT, LH, SNP 2552 - RED
25	5025011X6	2	BOLT, 5/16-18 X 3/4 GD5
26	5022095	2	SWITCH, PLUNGER, N.O./N.C.
27	5025139	2	NUT, 5/16-18 HEX SERRATED FLANGE (LARGE)
28	5025013X14	6	BOLT, 3/8-16 X 1-3/4 GD5
29	5025096	8	NUT, 3/8-16 HEX NYLON LOCK
30	5025156	4	WASHER, 3/8 SAE
31	5025011X8	6	BOLT, 5/16-18 X 1 GD5 YZ
32	5025011X9	4	BOLT, 5/16-18 X 1-1/8 GD5
33	5025011X10	6	BOLT, 5/16-18 X 1-1/4 GD5 YZ
34	5025127	14	NUT, 5/16-18 HEX SERRATED FLANGE (SMALL)
35	5020639	2	SPRING, EXTENSION
36	5025392	14	NUT, 5/16-18 HEX NYLOCK FLANGE
37	5025179X4	4	SCREW, #10-24 X 1/2 ROUND PHILLIPS
38	5025029	4	NUT, #10-24 HEX

Footnotes

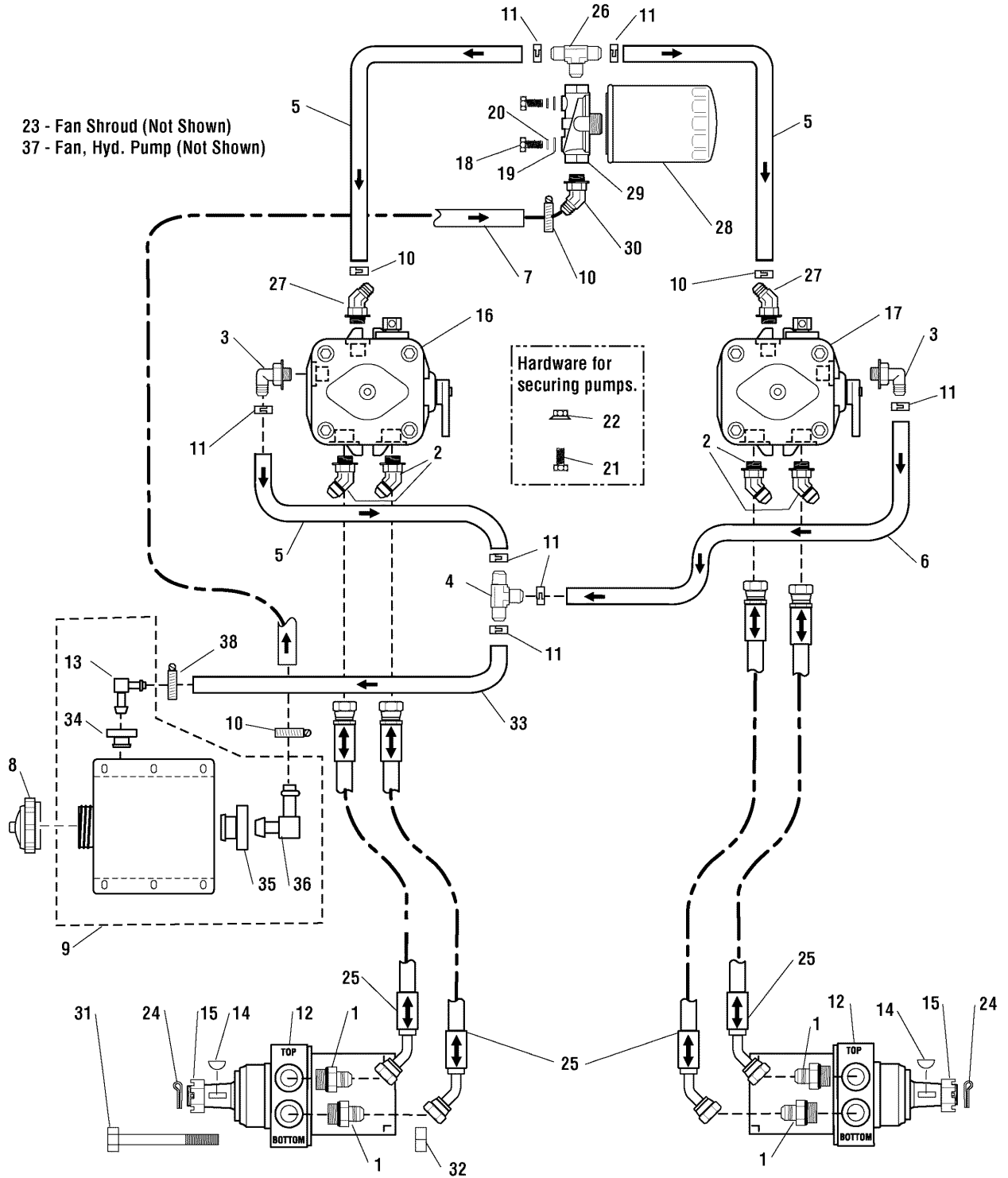
The above parts group applies to the following Mfg. Nos.:

5900665
5900686
5900696
5900697

Hydraulic Group

NOTE: Unless noted otherwise, use the standard hardware torque specification chart.

5300895



The above parts group applies to the following Mfg. Nos.:

- 5900665
- 5900686
- 5900696
- 5900697

Hydraulic Group

REF NO.	PART NO.	QTY.	DESCRIPTION
1	5022633	4	ADAPTER, HYD.
2	5023338	4	FITTING, #8 JIC - #8 O-RING, 45 DEG.
3	5023267	2	ADAPTER, 90 DEG, 9/16-3/8 BARB
4	5022920	1	FITTING, TEE, 1/2 HOSE
5	5050860X6P5	3	HOSE, 3/8 PUSH-LOCK, 6.5" LONG
6	5050860X22	1	HOSE, 3/8 PUSH-LOCK, 22" LONG (SV)
7	5050933X24P5	1	HOSE, 5/8, PUSH-LOCK, 24.5" LONG
8	5100017	1	CAP, HYDRAULIC
9	5061712	1	TANK, HYDRAULIC, ASSEMBLY
10	5021164	2	CLAMP, #10 HOSE, STAINLESS
11	5023268	5	CLAMP, HOSE
12	5100877	2	MOTOR, WHEEL
13	5023118	1	FITTING, ELBOW, 3/8" (SV)
14	5022042X2	2	KEY, WOODRUFF (SV)
15	5022042X3	2	NUT, CASTLE 1-20 (SV)
16	5100670	1	PUMP, HYDRO-GEAR, 12CC - LH
17	5100671	1	PUMP, HYDRO-GEAR, 12CC - RH
18	5025010X6	2	BOLT, 1/4-20 X 3/4 GD5 YZ
19	5025154	2	WASHER, 1/4 SAE
20	5025169	2	WASHER, 1/4 LOCK
21	5025013X10	4	BOLT, 3/8-16 X 1-1/4 GD5
22	5025128	4	NUT, 3/8-16 HEX SERRATED FLANGE
23	5100162	2	FAN SHROUD
24	5025203X16	2	PIN, COTTER, 1/8 X 2
25	5100249	4	HOSE, ASSEMBLY, 22.5
26	5023266	1	ADAPTER, TEE, 9/16 - 3/8 BARB
27	5023461	2	ADAPTER, 45 DEG, 9/16-3/8 BARB
28	1719168	1	FILTER, OIL
29	5023096	1	FILTER HEAD, HYDRAULIC
30	5100678	1	FITTING, STRAIGHT, HYD #12618
31	5025475	8	BOLT, 1/2-13 X 2-1/2 NYLON PATCH
32	5025330	8	NUT, 1/2-13 SQUARE
33	5050860X20	1	HOSE, 3/8 PUSH-LOCK, 20" LONG (SV)
34	5023120	1	GROMMET (SV)
35	5023119	1	FITTING, ELBOW, 5/8" (SV)
36	5023121	1	GROMMET (SV)
37	5100161X1	2	FAN, HYD. PUMP (SV)
38	5022922	1	CLAMP, #4 HOSE, STAINLESS

Footnotes

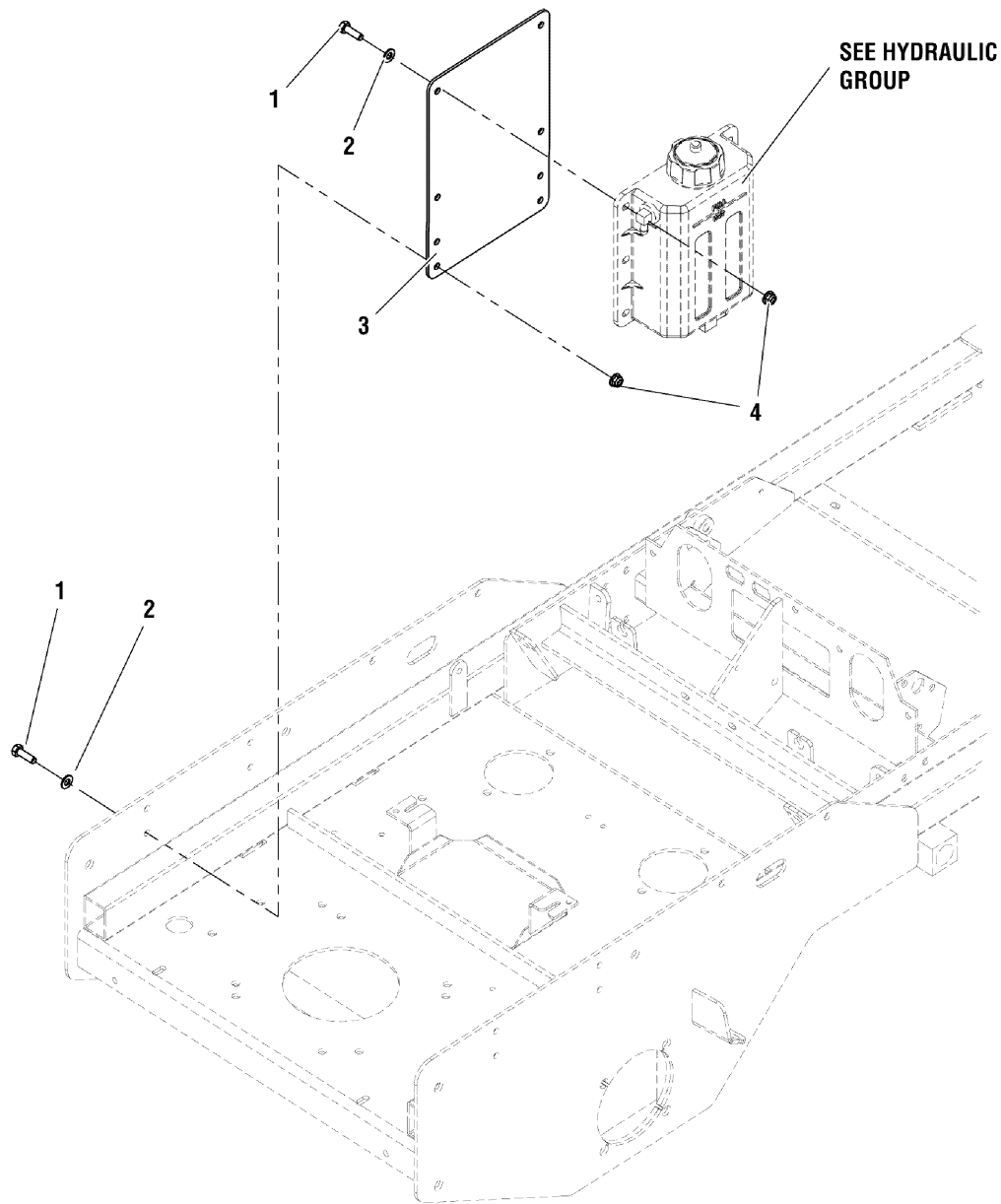
The above parts group applies to the following Mfg. Nos.:

5900665
5900686
5900696
5900697

Hydraulic Mount Group

NOTE: Unless noted otherwise, use the standard hardware torque specification chart.

5300903



The above parts group applies to the following Mfg. Nos.:

5900665
5900686
5900696
5900697

Hydraulic Mount Group

REF NO.	PART NO.	QTY.	DESCRIPTION
1	5025011X8	8	BOLT, 5/16-18 X 1 GD5 YZ
2	5025155	8	WASHER, 5/16 SAE
3	5402781D	1	PLATE, MOUNT, RESERVOIR - RED
4	5025392	8	NUT, 5/16-18 HEX NYLOCK FLANGE

Footnotes

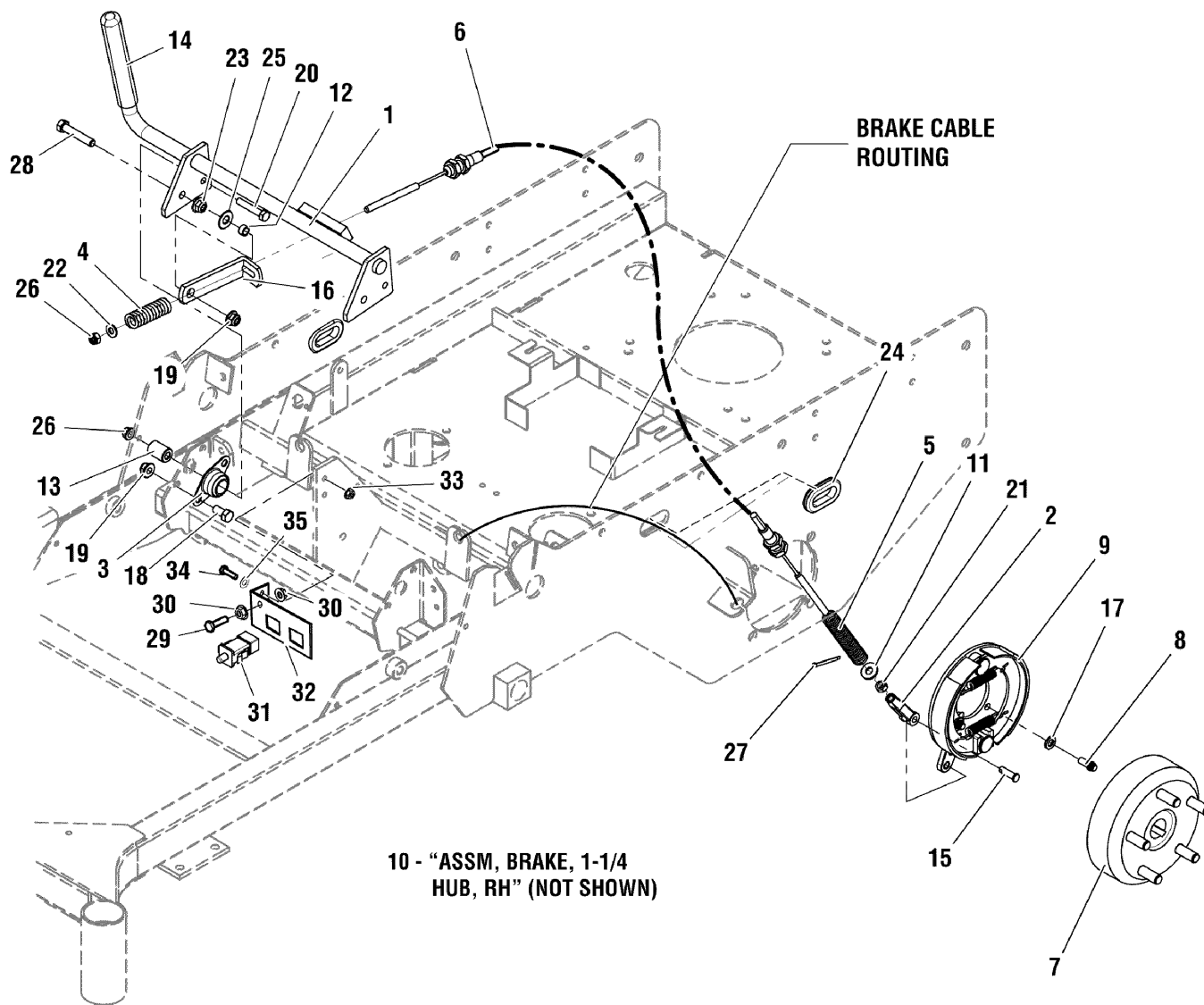
The above parts group applies to the following Mfg. Nos.:

5900665
5900686
5900696
5900697

Parking Brake Group

NOTE: Unless noted otherwise, use the standard hardware torque specification chart.

5300897



The above parts group applies to the following Mfg. Nos.:

5900665
5900686
5900696
5900697

Parking Brake Group

REF NO.	PART NO.	QTY.	DESCRIPTION
1	5402928D	1	WELD, BRAKE SHAFT, SNP 2552 - RED
2	5020979	2	CLEVIS, 5/16-24, PLASTIC
3	5021098	2	BEARING, BRONZE FLANGE, 3/4
4	5022361	2	SPRING, BRAKE
5	5021494	2	SPRING, COMPRESSION, 5-1/2
6	5023324	2	CABLE, PARKING BRAKE
7	5023368	2	DRUM, 1-1/4TAPER,5 BOLT
8	5023490	8	BOLT, 5/16-18 X 3/4 12PT FLANGE - PATCH
9	5023500	1	ASSM, BRAKE, 1-1/4 HUB, LH
10	5023501	1	ASSM, BRAKE, 1-1/4 HUB, RH
11	5025337	2	WASHER, 5/16 USS
12	5041930	2	SPACER, .38 X .50 X .27
13	5042134	2	SPACER, .32 X .75 X 1.06
14	5101038	1	GRIP, FOAM, 3/4 ID X 6 X .187
15	5025213X8	2	PIN, CLEVIS, 5/16 X 1 YZ
16	5047084D	2	LINK, BRAKE LOCK - RED
17	5025170	8	WASHER, 5/16 LOCK YZ
18	5025013X6	4	BOLT, 3/8-16 X 3/4 GD5 YZ
19	5025394	6	NUT, 3/8-16 HEX NYLOCK FLANGE
20	5025011X14	2	BOLT, 5/16-18 X 1-3/4 GD5 YZ
21	5025045	2	NUT, 5/16-24 HEX NYLON LOCK
22	5025155	2	WASHER, 5/16 SAE
23	5025128	2	NUT, 3/8-16 HEX SERRATED FLANGE
24	5021397	2	GROMMET, 1-1/4
25	5025156	2	WASHER, 3/8 SAE
26	5025392	2	NUT, 5/16-18 HEX NYLOCK FLANGE
27	5025203X10	2	PIN, COTTER, 1/8" X 1-1/4
28	5025013X12	2	BOLT, 3/8-16 X 1-1/2 GD5 YZ
29	5025011X10	2	BOLT, 5/16-18 X 1-1/4 GD5 YZ
30	5025127	2	NUT, 5/16-18 HEX SERRATED FLANGE (SMALL)
31	5022182	2	SWITCH, PLUNGER
32	5403278D	1	BRACKET, SWITCH MOUNT
33	5025126	2	NUT, 1/4-20 HEX SERR. FLANGE
34	5025010X6	2	BOLT, 1/4-20 X 3/4 GD5 YZ
35	5025154	2	WASHER, 1/4 SAE

Footnotes

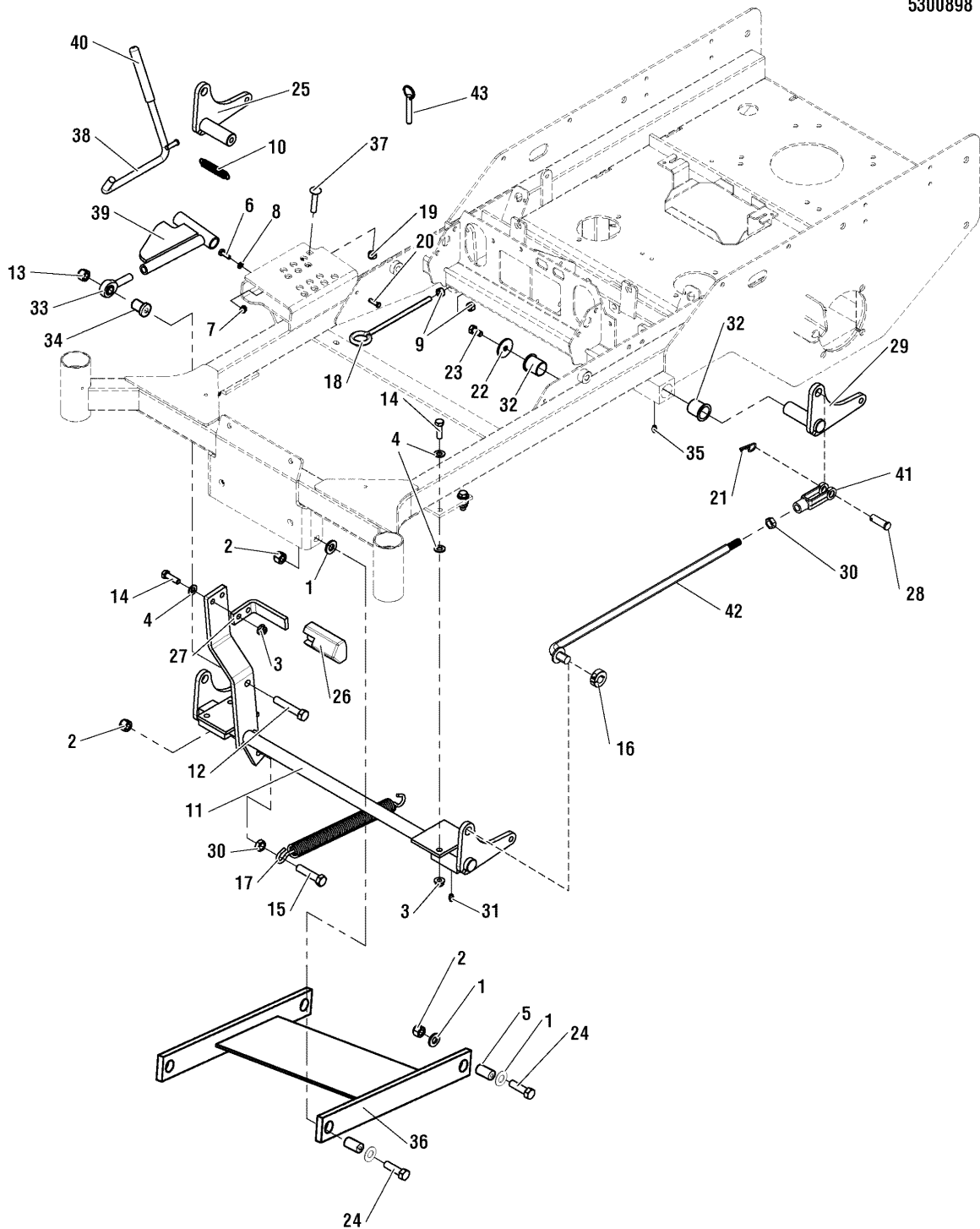
The above parts group applies to the following Mfg. Nos.:

5900665
5900686
5900696
5900697

Deck Lift Group

NOTE: Unless noted otherwise, use the standard hardware torque specification chart.

5300898



The above parts group applies to the following Mfg. Nos.:

5900665
5900686
5900696
5900697

Deck Lift Group

REF NO.	PART NO.	QTY.	DESCRIPTION
1	5025440	12	WASHER, 1/2 GD9 YZ
2	5025098	5	NUT, 1/2-20 HEX NYLON LOCK
3	5025394	6	NUT, 3/8-16 HEX NYLOCK FLANGE
4	5025156	14	WASHER, 3/8 SAE
5	5020870	4	INSERT, BEARING
6	5025010X6	2	BOLT, 1/4-20 X 3/4 GD5 YZ
7	5025126	2	NUT, 1/4-20 HEX SERR. FLANGE
8	5025154	2	WASHER, 1/4 SAE
9	5025034	2	NUT, 3/8-16 HEX
10	5020639	1	SPRING, EXTENSION
11	5402933D	1	WELD, SHAFT, DECK LIFT, SNP - RED
12	5025017X22	1	BOLT, 1/2-13 X 2-3/4 GD5
13	5025396	1	NUT, 1/2-13 HEX NYLOCK FLANGE
14	5025013X10	6	BOLT, 3/8-16 X 1-1/4 GD5
15	5025018X18	1	BOLT, 1/2-20 X 2-1/4" GRD5
16	5020441	2	COLLAR, 5/8" SPLIT
17	5023355	1	SPRING, DECK LIFT ASSIST
18	5021811	1	EYE BOLT, 3/8-16 X 8", 1" EYE
19	5025100	1	NUT, 3/8-16 HEX SIDE LOCK
20	5025212X7	1	PIN, CLEVIS, 1/4 X 7/8
21	5025210	2	PIN, HAIR, .0915 X 1-7/8
22	5100548	4	WASHER, .390 X 1.50 X .109, YZ
23	5025443	4	BOLT, 3/8-16 X 3/4, GD5, YZ WITH PATCH
24	5025018X14	4	BOLT, 1/2-20 X 1-3/4 GD5 YZ
25	5402815D	1	PIVOT, DECK LIFT WELD - RIGHT - SNP RED
26	1715834	1	RUBBER, FOOT PEDAL
27	5061569D	1	PEDAL, FOOT - RED
28	5025328X12	2	PIN, CLEVIS, 1/2 X 1 1/2, YZP
29	5402814D	1	PIVOT, DECK LIFT WELD - LEFT - SNP RED
30	5025089	7	NUT, 1/2-20 HEX JAM
31	5020095	2	GREASE FITTING, 1/4-28 STRAIGHT
32	5023343	4	BUSHING, 1.00 X 1.13 X 1.38, PLASTIC
33	5022434	1	BALL JOINT, 1/2-20, MALE
34	5061670	1	SPACER, .53 X 1.00 X 1.00
35	5020020	2	GREASE FITTING, 1/4-28 STRAIGHT
36	5403315D	1	WELD, DECK STABILIZER - RED
37	5025146X16	1	BOLT, 3/8-16 X 2, CARRIAGE
38	5400719D	1	WELD, ROD DECK LIFT - RED
39	5400769D	1	WELD, DECK ADJUST LINK - RED
40	5021880	1	GRIP, FOAM
41	5023174	2	CLEVIS, 1/2-20, STEEL

Footnotes

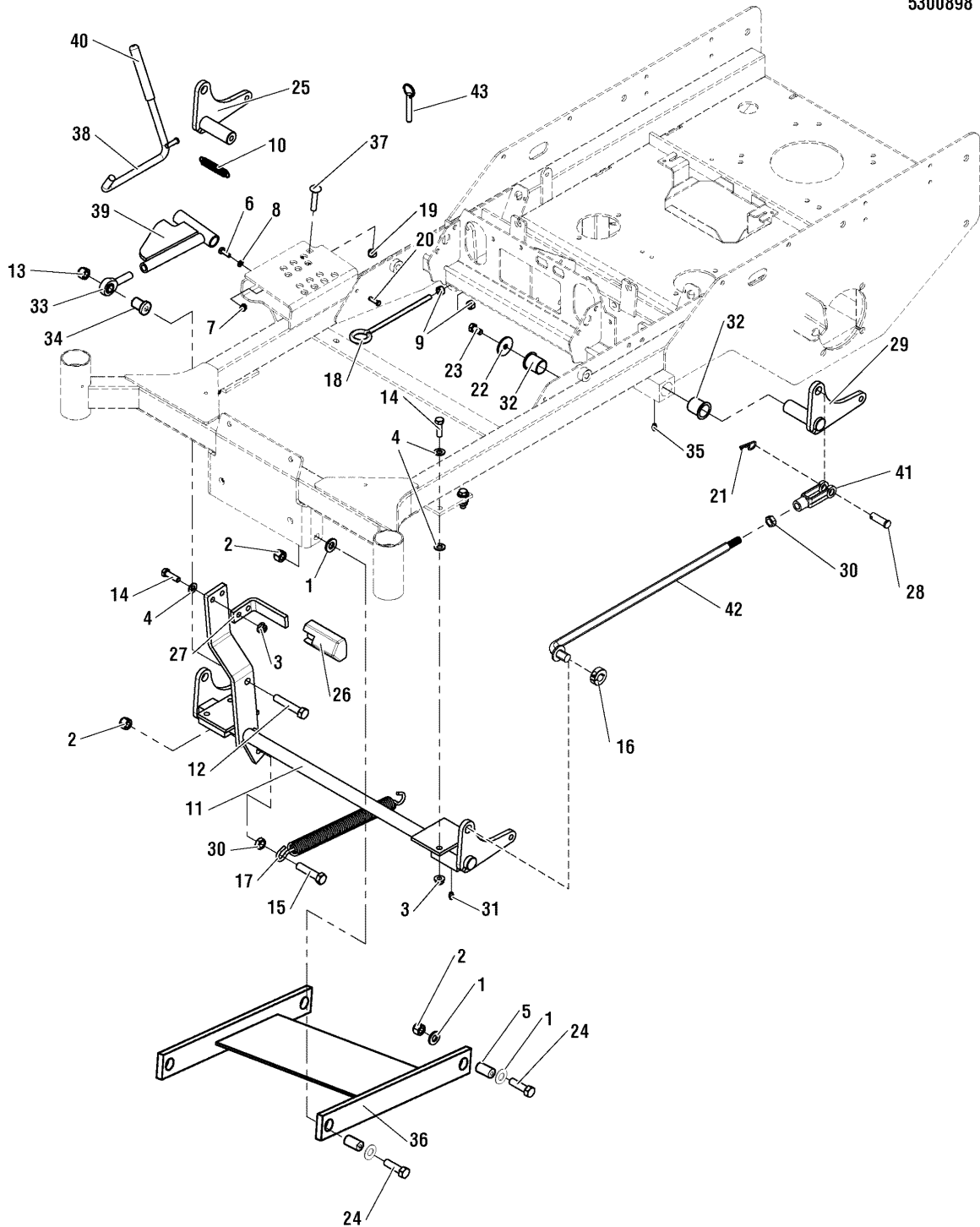
The above parts group applies to the following Mfg. Nos.:

5900665
5900686
5900696
5900697

Deck Lift Group

NOTE: Unless noted otherwise, use the standard hardware torque specification chart.

5300898



The above parts group applies to the following Mfg. Nos.:

5900665
5900686
5900696
5900697

Deck Lift Group

REF NO.	PART NO.	QTY.	DESCRIPTION
42	5101218	2	ROD,DECK LIFT ADJUSTMENT
43	5023498	1	PIN, HITCH, 1/2 X 2.00 OAL, YP

Footnotes

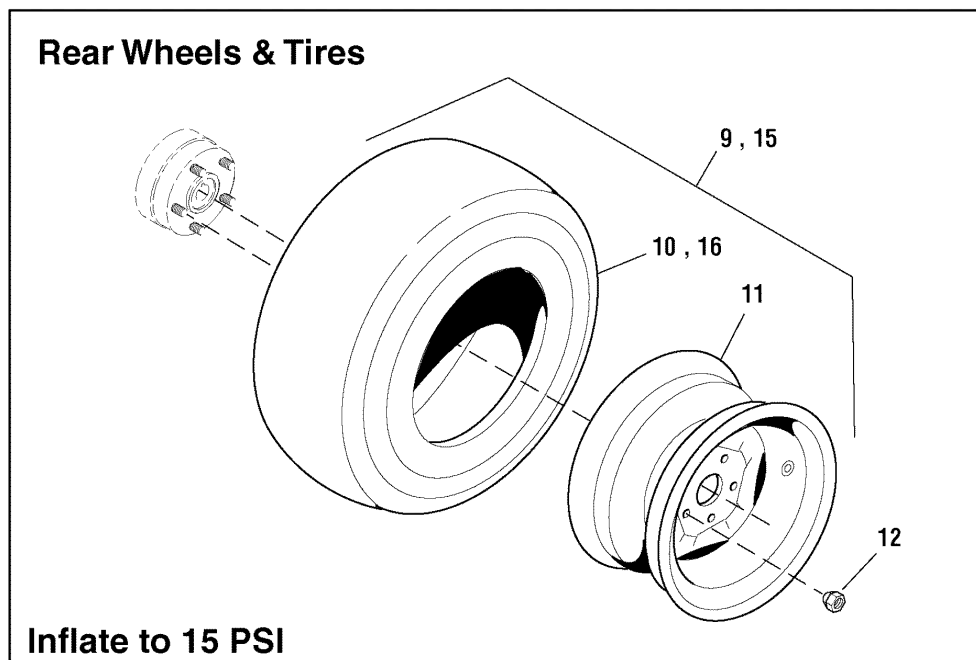
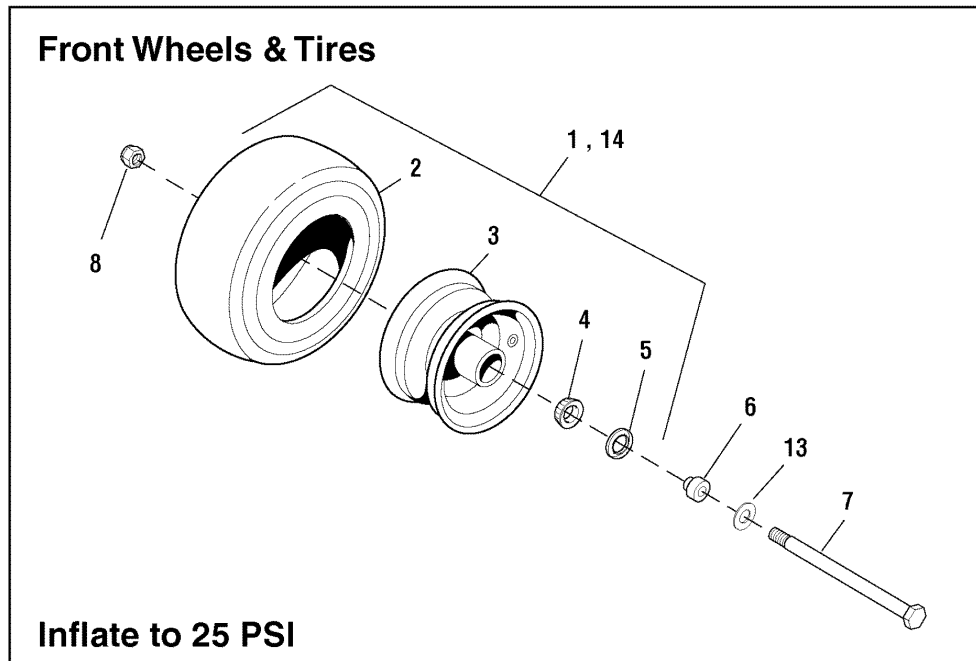
The above parts group applies to the following Mfg. Nos.:

5900665
5900686
5900696
5900697

Wheel & Tire Group

NOTE: Unless noted otherwise, use the standard hardware torque specification chart.

5300899



The above parts group applies to the following Mfg. Nos.:

5900665
5900686
5900696
5900697

Wheel & Tire Group

REF NO.	PART NO.	QTY.	DESCRIPTION
1	5022631S	2	WHEEL & TIRE ASSEMBLY, 13 x 5.0 - 6, Complete (Includes Ref No. 2 - 5)
2	5022029X1	2	TIRE, 13 x 5.0 - 6
3	5022631SX1	2	WHEEL ASSEMBLY, for 13 x 5.0 - 6 Tire, Complete (Includes Ref No. 4 & 5)
4	5022631SX2	4	BEARING, Tapered Roller (2 per tire)
5	5022631SX3	4	GREASE SEAL (2 per tire)
6	5047103	4	ADAPTER, Caster Wheel (2 per tire)
7	5025017X64	2	BOLT, 1/2-13 x 8"
8	5025396	2	NUT, 1/2-13 HEX NYLOCK FLANGE
9	5023369	2	WHEEL & TIRE ASSEMBLY, 22 x 11 - 10, Complete
10	5023369X2	2	TIRE, 22 X 11.0 - 10 (SV)
11	5023369X1	2	WHEEL ASSEMBLY, 10 X 7 (SV)
12	5020601	10	LUG NUT, 1/2-20
13	5025158	2	WASHER, 1/2" SAE
14	5023280	2	* FLAT-FREE TIRE ASSEMBLY, 13 x 5.0 - 6 (Includes Ref No. 4 & 5, see footnote)
15	5100006	2	WHEEL & TIRE ASSEMBLY, 22 X 10 - 10, COMPLETE (48" MODELS ONLY)(INCLUDES REF NOS 11 & 16)
16	5100006X1	2	TIRE, 22 X 10.00 -10 (48" MODELS ONLY)

Footnotes

NOTE: * Solid urethane tire assembly. Wheel is not serviceable.

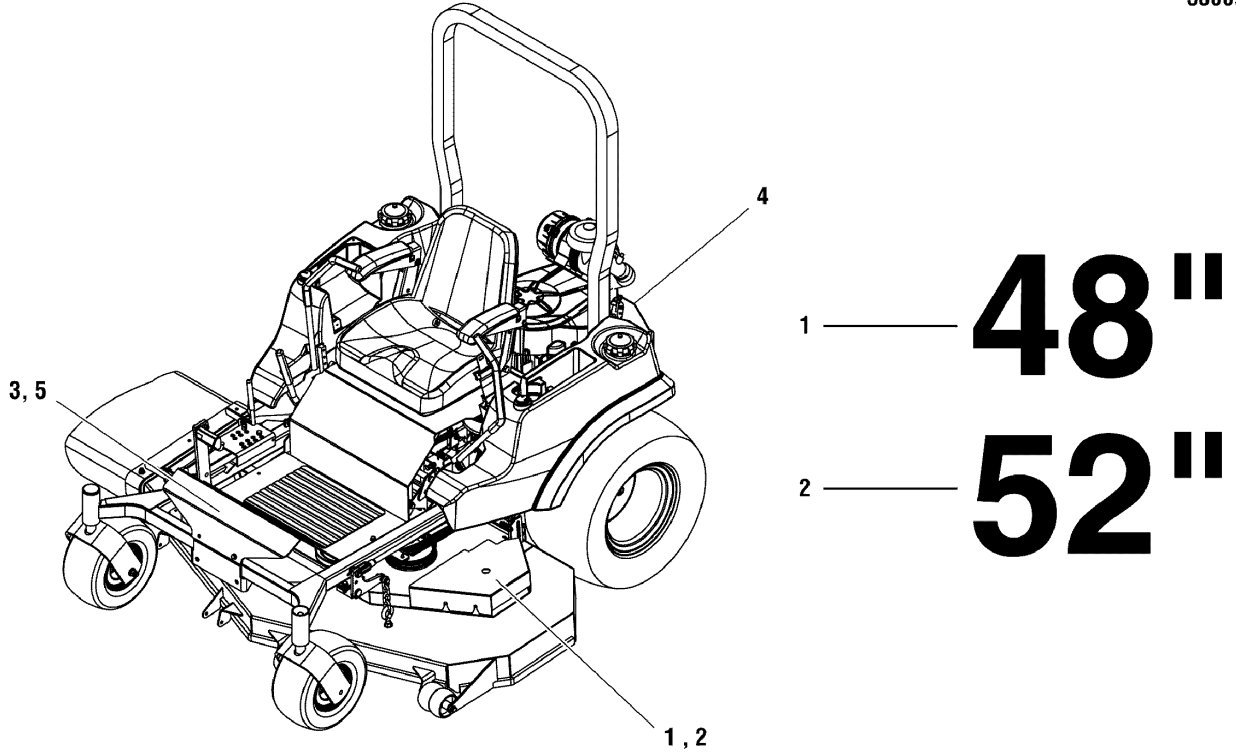
The above parts group applies to the following Mfg. Nos.:

5900665
5900686
5900696
5900697

Decals - Brand

NOTE: Unless noted otherwise, use the standard hardware torque specification chart.

5300900



1 — **48"**
2 — **52"**



The above parts group applies to the following Mfg. Nos.:

- 5900665
- 5900686
- 5900696
- 5900697

Decals - Brand

REF NO.	PART NO.	QTY.	DESCRIPTION
1	5022811	1	DECAL, 48 (48" MODELS ONLY)
2	5022812	1	DECAL, 52 (52" MODELS ONLY)
3	5101256	1	DECAL, S150X, FRONT
4	5101201	1	DECAL, SNAPPER PRO, HEAT
5	5101284	1	DECAL, S150X

Footnotes

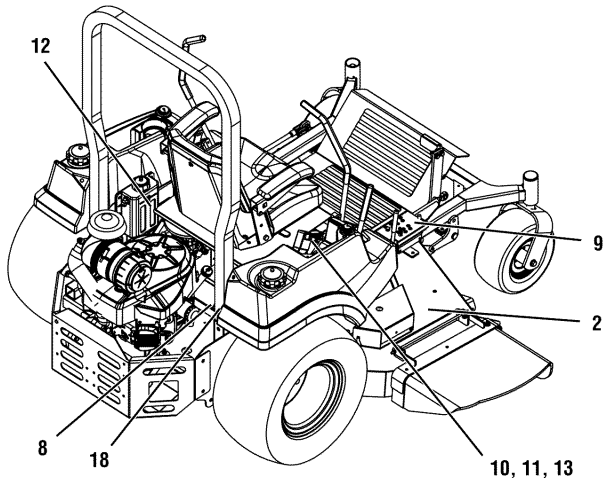
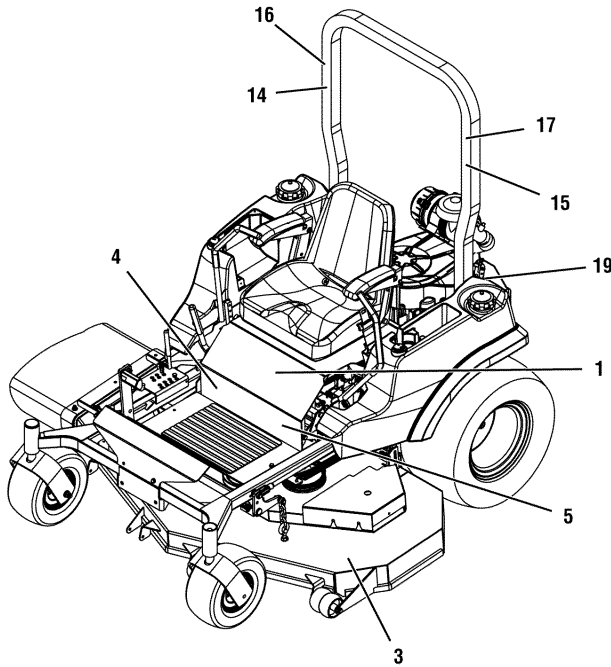
The above parts group applies to the following Mfg. Nos.:


5900665
5900686
5900696
5900697

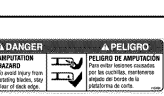

Decals - Safety & Operation



NOTE: Unless noted otherwise, use the standard hardware torque specification chart.



5300904






1 

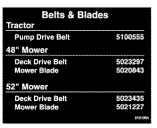
2  

3  

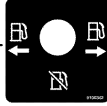
4  


5  

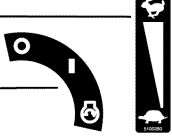
6 

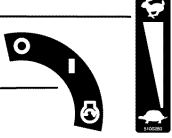
7 


Belts & Blades	
Tractor	
Pump Drive Belt	5100555
48" Mower	
Deck Drive Belt	5022997
Mower Blade	5009843
32" Mower	
Deck Drive Belt	8023435
Mower Blade	5091227

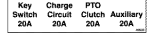
8 

9 

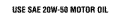
10 


11 


12 


13 


Key Switch	Charge Circuit	PTD Clutch	Auxiliary
20A	20A	20A	20A







14 

15 

16 

17 

18  

19  

The above parts group applies to the following Mfg. Nos.:

- 5900665
- 5900686
- 5900696
- 5900697

Decals - Safety & Operation

REF NO.	PART NO.	QTY.	DESCRIPTION
1	5100097	1	DECAL, MAIN SAFETY
2	5100089	1	DECAL, DANGER, MOWER DISCHARGE
3	5100088	1	DECAL, DANGER, MOWER
4	5100708	1	DECAL, DANGER, FIRE
5	5100709	1	DECAL, DANGER, FIRE (SP)
6	1725941	1	DECAL, CZT HYDRO RELEASE
7	5101064	1	DECAL, BELT & BLADE, SNAPPER PRO 48/52
8	5100342	1	DECAL, FUEL VALVE
9	5061724	1	DECAL-HEIGHT CITATION
10	5100280	1	DECAL, THROTTLE CONTROL
11	5048970	1	DECAL, IGNITION SWITCH
12	5100957	1	DECAL, OIL RESEVOIR
13	5046503	1	DECAL, FUSE LOCATION
14	5100405	1	DECAL, WARNING, ROLL BAR (SV)
15	5100406	1	DECAL, WARNING, ROLL BAR, SP (SV)
16	5100403	1	DECAL, WARNING, ROLL BAR (SV)
17	5100404	1	DECAL, WARNING, ROLL BAR, SP (SV)
18	5100683	2	DECAL, WARNING, ROLL BAR
19	5100684	2	DECAL, WARNING, ROLL BAR, SP

Footnotes

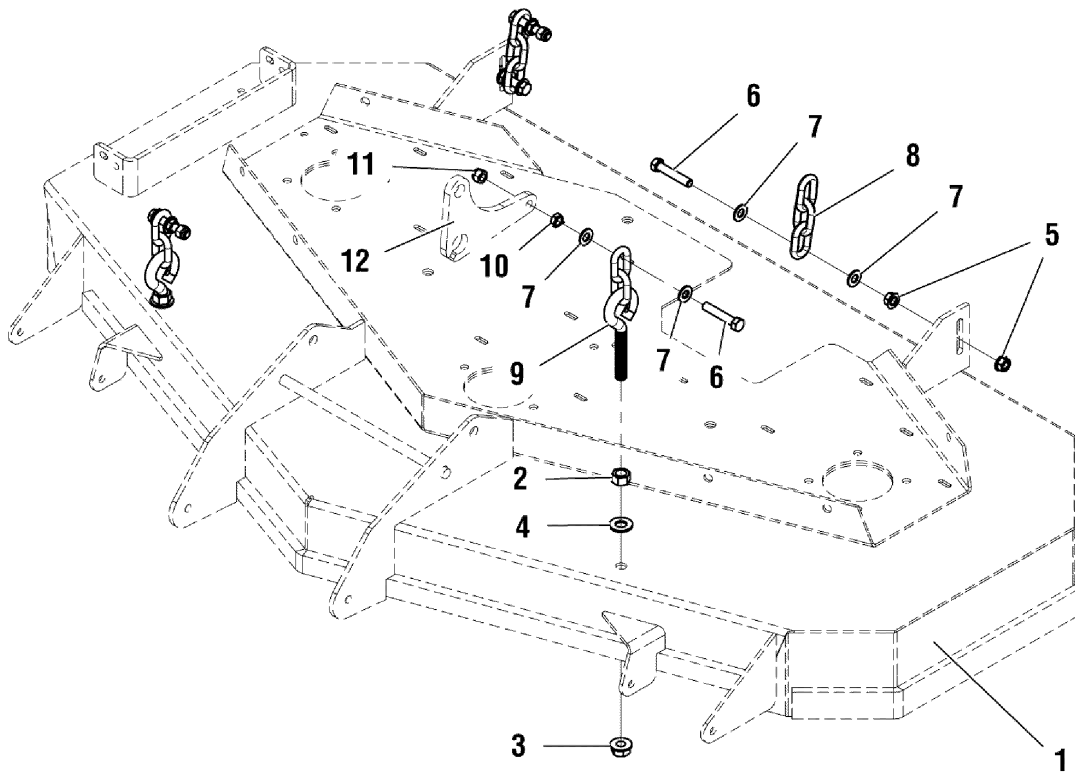
The above parts group applies to the following Mfg. Nos.:

5900665
5900686
5900696
5900697

48" & 52" Mower Deck - Hanger Chains

NOTE: Unless noted otherwise, use the standard hardware torque specification chart.

5300901



The above parts group applies to the following Mfg. Nos.:

5900665
5900686
5900696
5900697

48" & 52" Mower Deck - Hanger Chains

REF NO.	PART NO.	QTY.	DESCRIPTION
1			MOWER DECK (SEE HOUSING, COVERS, SPINDLE & BLADE GROUP)
2	5025038	2	NUT, 1/2-13 HEX
3	5025396	2	NUT, 1/2-13 HEX NYLOCK FLANGE
4	5025158	2	WASHER, 1/2 SAE
5	5025128	4	NUT, 3/8-16 HEX SERRATED FLANGE
6	5025013X16	6	BOLT, 3/8-16 X 2 GD5 YZ
7	5025156	12	WASHER, 3/8 SAE
8	5050878X3	2	CHAIN, 5/16 GD30, 3 LINKS
9	5047503	2	HANGER, FRONT DECK - 2 LINK
10	5025084	4	NUT, 3/8-16 HEX JAM
11	5025096	4	NUT, 3/8-16 HEX NYLON LOCK
12			DECK LIFT PIVOT (SEE DECK LIFT GROUP)

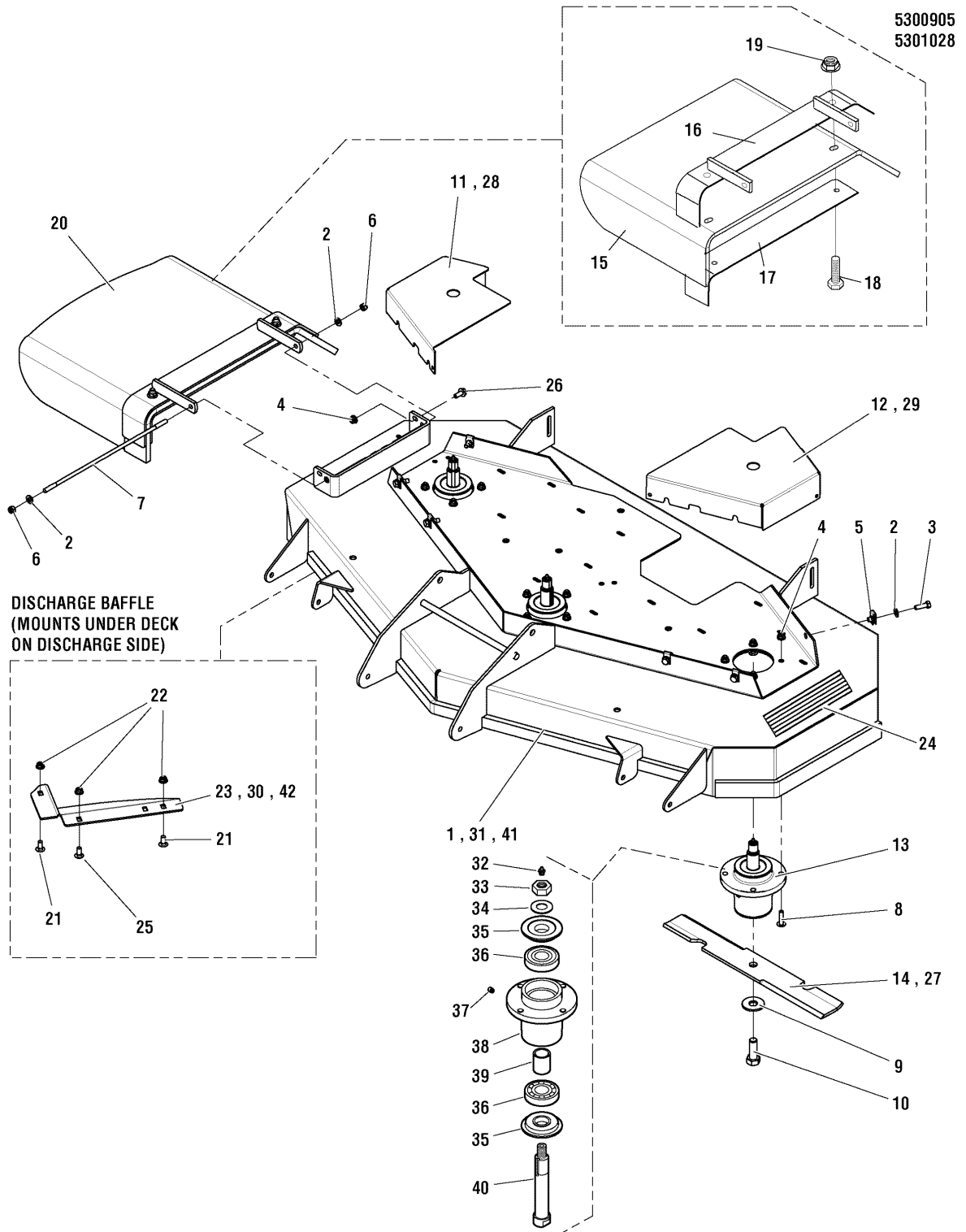
Footnotes

The above parts group applies to the following Mfg. Nos.:

5900665
5900686
5900696
5900697

48" & 52" Mower Deck - Housing, Covers, Spindles & Blades

NOTE: Unless noted otherwise, use the standard hardware torque specification chart.



The above parts group applies to the following Mfg. Nos.:

- 5900665
- 5900686
- 5900696
- 5900697

48" & 52" Mower Deck - Housing, Covers, Spindles & Blades

REF NO.	PART NO.	QTY.	DESCRIPTION
1	5600129	1	DECK SHELL W/ DECALS, MZ1500, 52" (SV) (52" MODELS ONLY)(S/N: 2012628732 & BELOW)
2	5025155	8	WASHER, 5/16 SAE
3	5025011X6	6	BOLT, 5/16-18 X 3/4" GD5
4	5025392	13	NUT, 5/16-18 HEX NYLOCK FLANGE
5	5022308	6	BODY CLIP, 5/16-18 X 1/2 DEEP
6	5025045	2	NUT, 5/16-24 HEX NYLON LOCK
7	5042555	1	ROD, BRAKE LINKAGE
8	5023156	12	BOLT, 5/16-18 X 1 1/4 FLANGE
9	5025159	3	WASHER, 5/8 USS
10	5025320X14	3	BOLT, 5/8-11 X 1-3/4" GD8
11	5061810D	1	GUARD, 52" DECK - RH - RED (52" MODELS ONLY)
12	5061811D	1	GUARD, 52" DECK - LH - RED (52" MODELS ONLY)
13	5061095	3	ASSM, SPINDLE, LOW PROFILE
14	5021227S	1	BLADE, 18" (SET OF 3) (52" MODELS ONLY)
15	5100842	1	CHUTE, DISCHARGE, RUBBER, 44/48/52
16	5402361D	1	WELD, FRAME CHUTE, 44/48/52 - RED
17	5402362D	1	SUPPORT, DISCHARGE CHUTE, 44/48/52 - RED
18	5025013X10	2	BOLT, 3/8-16 X 1-1/4 GD5
19	5025394	2	NUT, 3/8-16 HEX NYLOCK FLANGE
20	5600132	1	KIT, DISCHARGE CHUTE, 48/52, SNP PRO (INCLUDES REF NOS 15 - 19)
21	5025145X6	2	BOLT, 5/16-18 X 3/4", CARRIAGE
22	5025392	3	NUT, 5/16-18 HEX NYLOCK FLANGE
23	5401254D	1	WELD, DISCHARGE BAFFLE, 52" - RED (52" MODELS ONLY)(S/N: 2012628732 & BELOW)
24	5101004	1	SAFETY WALK, 4.00 X 7.50
25	5025145X8	1	BOLT, 5/16"-18 CARRIAGE, 1"
26	5025411	1	BOLT, 5/16-18 X 3/4 FLANGE
27	5020843S	1	BLADE, 16.25 (SET OF 3) (48" MODELS ONLY)
28	5049881D	1	GUARD, 48 DECK - RH -RED (48" MODELS ONLY)
29	5049882D	1	GUARD, 48 DECK - LH -RED (48" MODELS ONLY)
30	5401271D	1	WELD, DISCHARGE BAFFLE, 48" - RED (48" MODELS ONLY)
31	5600128	1	DECK SHELL W/ DECALS, MZ1500, 48" (SV) (48" MODELS ONLY)
32	5023329	3	GREASE FITTING (SV)
33	5025405	3	NUT, 3/4-16 HEX (SV)
34	5025406	3	WASHER, 3/4 BELLEVILLE (SV)
35	5049793	6	TRASH SHIELD (SV)
36	5023330	6	BEARING (SV)
37	5023296	3	RELIEF VALVE (SV)
38	5061097	3	SPINDLE HOUSING (SV)
39	5061099	3	SPACER, 1.00 X 1.25 X 1.75 (SV)
40	5061098	3	SPINDLE SHAFT (SV)
41	5600139	1	DECK SHELL W/ DECALS (5403609B) (52" MODELS ONLY)(S/N: 2012628733 & ABOVE)

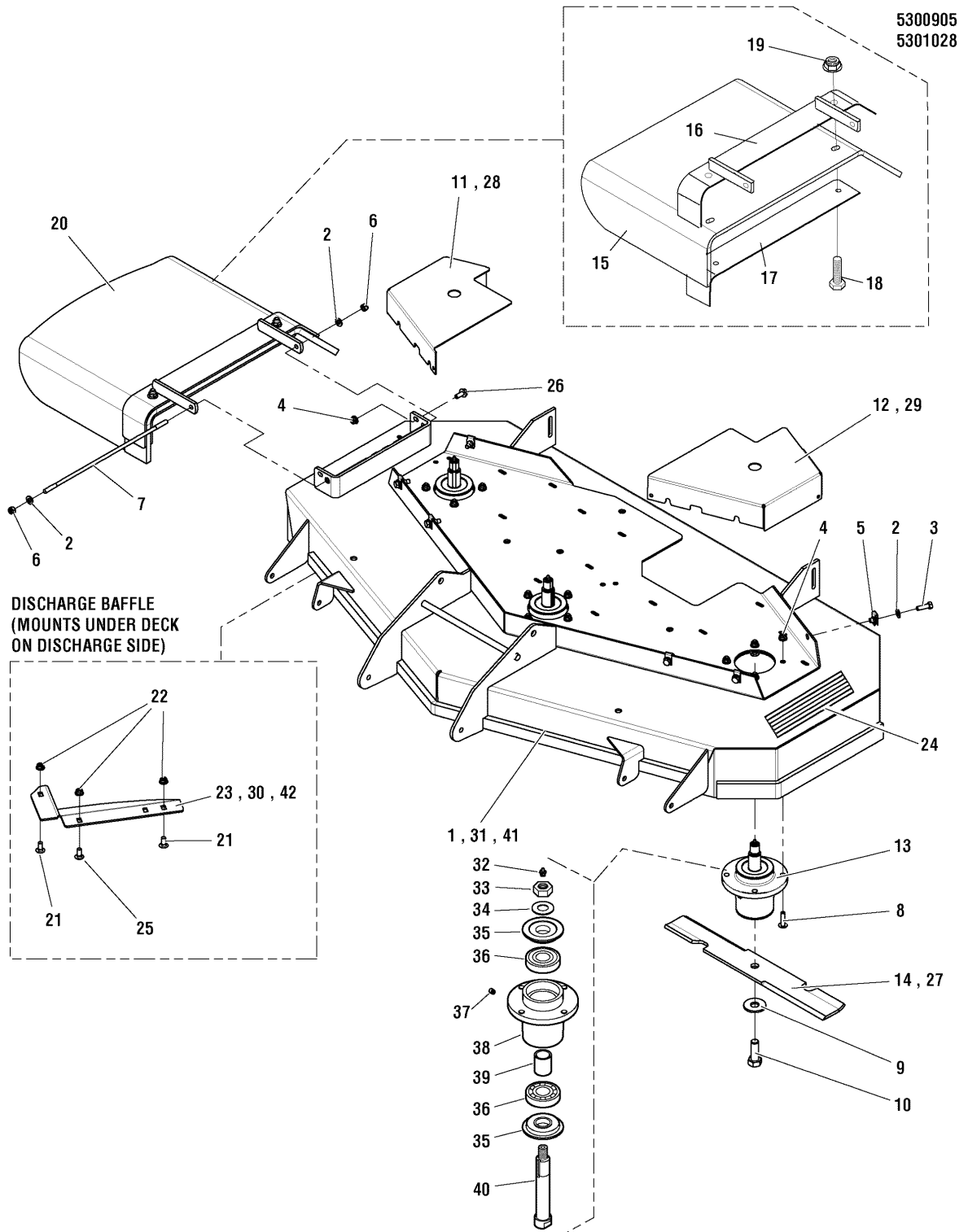
Footnotes

The above parts group applies to the following Mfg. Nos.:

5900665
5900686
5900696
5900697

48" & 52" Mower Deck - Housing, Covers, Spindles & Blades

NOTE: Unless noted otherwise, use the standard hardware torque specification chart.



The above parts group applies to the following Mfg. Nos.:

- 5900665
- 5900686
- 5900696
- 5900697

48" & 52" Mower Deck - Housing, Covers, Spindles & Blades

REF NO.	PART NO.	QTY.	DESCRIPTION
42	5403548B	1	WELD, DISCHARGE BAFFLE, 52" - RED (52" MODELS ONLY)(S/N: 2012628733 & ABOVE)

Footnotes

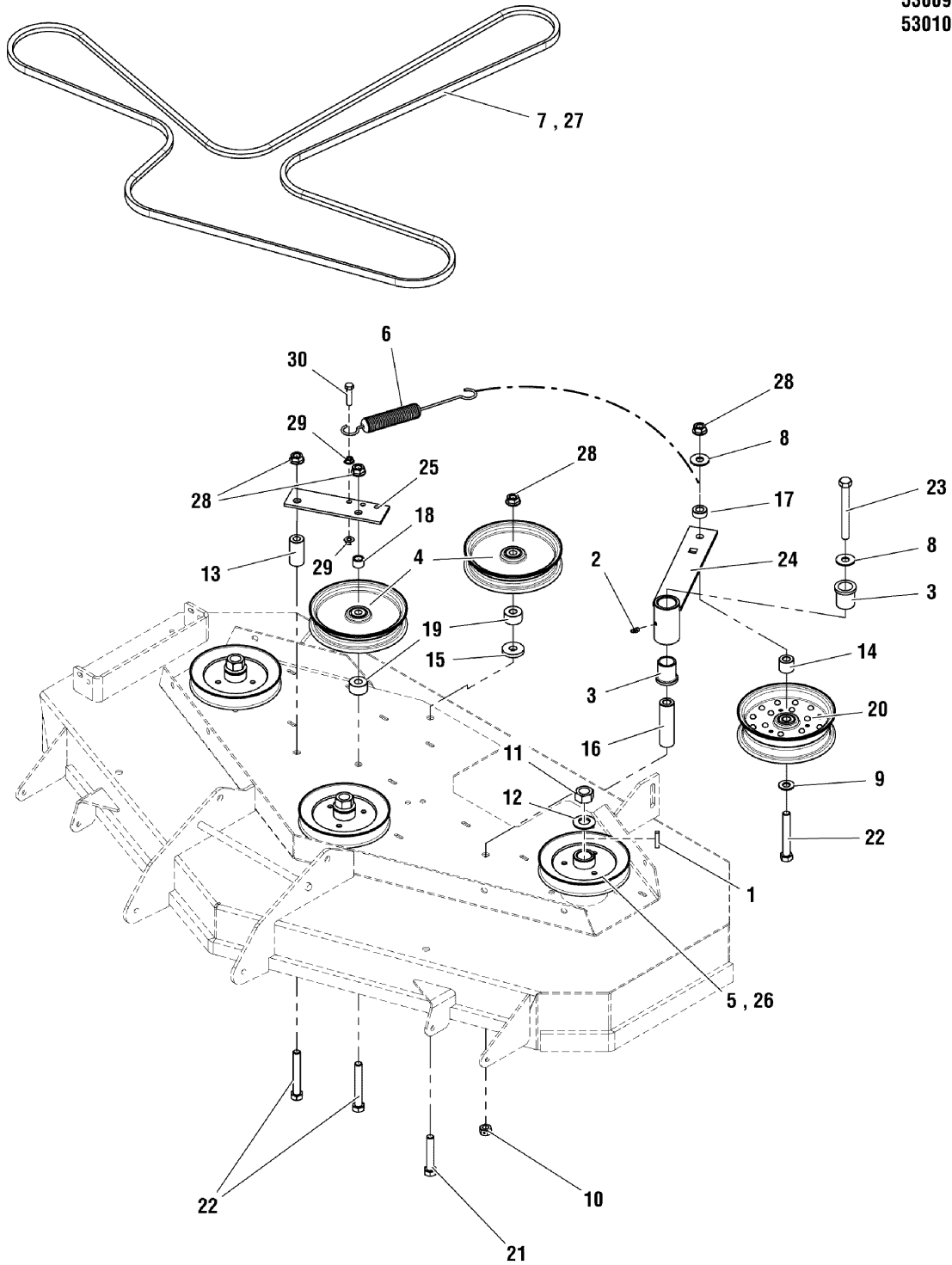
The above parts group applies to the following Mfg. Nos.:

5900665
5900686
5900696
5900697

48" & 52" Mower Deck - Pulleys, Belt & Idler Arm

NOTE: Unless noted otherwise, use the standard hardware torque specification chart.

5300906
5301029



The above parts group applies to the following Mfg. Nos.:

5900665
5900686
5900696
5900697

48" & 52" Mower Deck - Pulleys, Belt & Idler Arm

REF NO.	PART NO.	QTY.	DESCRIPTION
1	5050407X5	3	KEY, 1/4 SQ. X 1-1/4
2	5020095	1	GREASE FITTING, 1/4-28 STRAIGHT
3	5021541	2	BUSHING, FLANGE
4	5021976	2	PULLEY, IDLER 6-3/4
5	5023178	3	PULLEY, 6.122 OD., 52" DECK (52" MODELS ONLY)
6	5023340	1	SPRING, EXTENSION, SWIVEL END
7	5023435	1	BELT, # 7-8673, 1500Z, 160.6EL, 52" DECK (52" MODELS ONLY)
8	5025150	2	WASHER, 1/2 USS
9	5025158	1	WASHER, 1/2 SAE
10	5025332	1	NUT, 1/2-13 HEX SIDE LOCK
11	5025405	3	NUT, 3/4-16 HEX
12	5025406	3	WASHER, 3/4 BELLEVILLE
13	5043607	1	SPACER, .50 X 1.00 X 2.00
14	5044673	1	SPACER, .52 X 1.00 X .88
15	5044913	1	WASHER, .53 X 1.50 X .25
16	5045022	1	SPACER, .52 X 1.00 X 3.50
17	5045023	1	SPACER, .52 X 1.00 X .44
18	5047027	1	SPACER, .51 X .75 X .56
19	5047142	2	SPACER, .52 X 1.25 X .70
20	5100529	1	PULLEY, IDLER, 6.75 OD X 1.62 FACE
21	5025017X22	1	BOLT, 1/2-13 X 2-3/4 GD5
22	5025017X28	3	BOLT, 1/2-13 X 3-1/2 GD5
23	5025017X36	1	BOLT, 1/2-13 X 4-1/2 GD5
24	5045106D	1	ASSM, IDLER ARM - RED
25	5402555D	1	PLATE, SPRING ANCHOR - RED
26	5023175	3	PULLEY, 5.72., 48 DECK (48" MODELS ONLY)
27	5023297	1	BELT, # 7-8671, 147.4 (48" MODELS ONLY)
28	5025396	4	NUT, 1/2-13 HEX NYLOCK FLANGE
29	5025127	2	NUT, 5/16-18 HEX SERRATED FLANGE (SMALL)
30	5025011X10	1	BOLT, 5/16-18 X 1-1/4 GD5 YZ

Footnotes

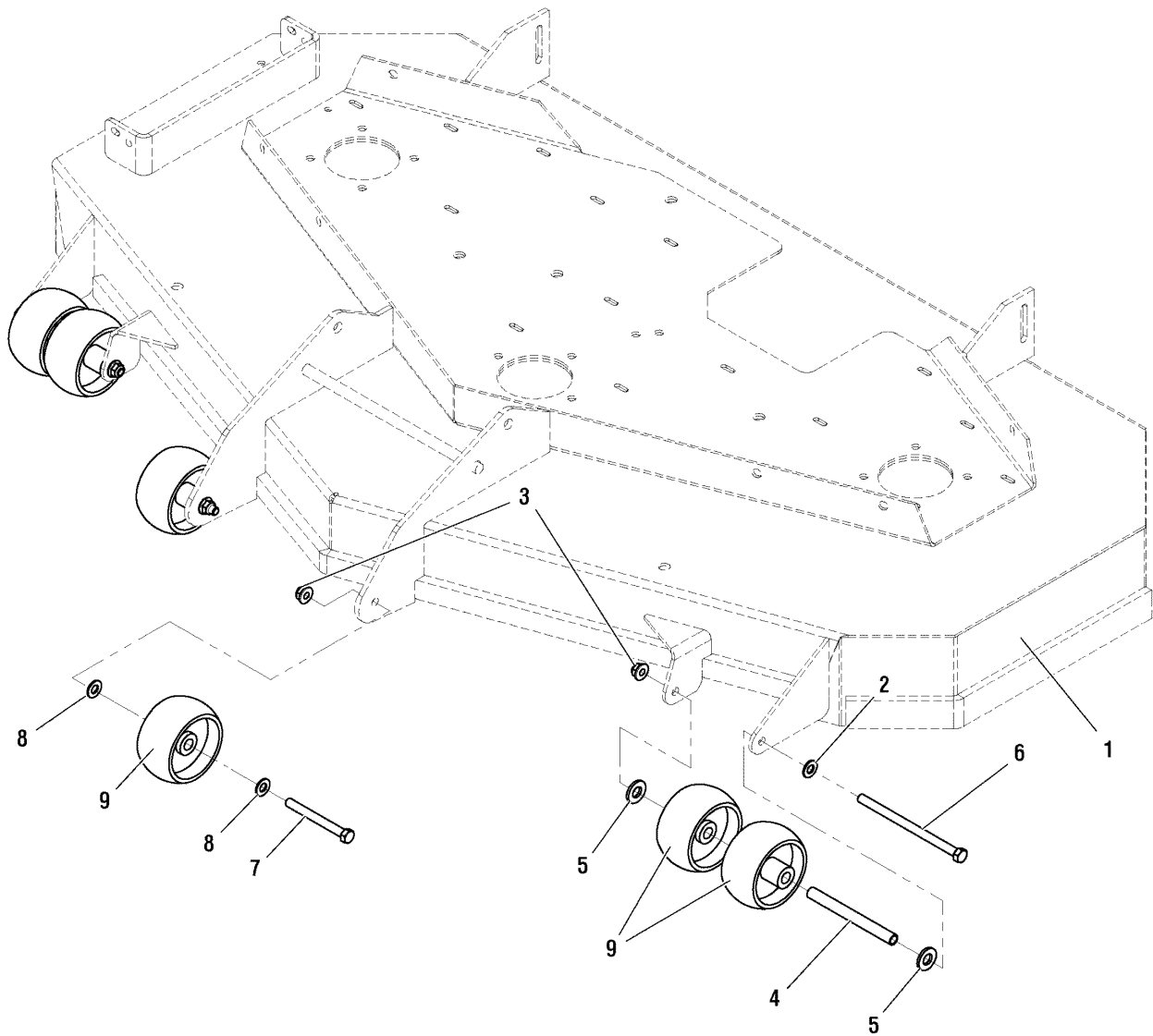
The above parts group applies to the following Mfg. Nos.:

5900665
5900686
5900696
5900697

48" & 52" Mower Deck - Rollers

NOTE: Unless noted otherwise, use the standard hardware torque specification chart.

5300907
5301030



The above parts group applies to the following Mfg. Nos.:

5900665
5900686
5900696
5900697

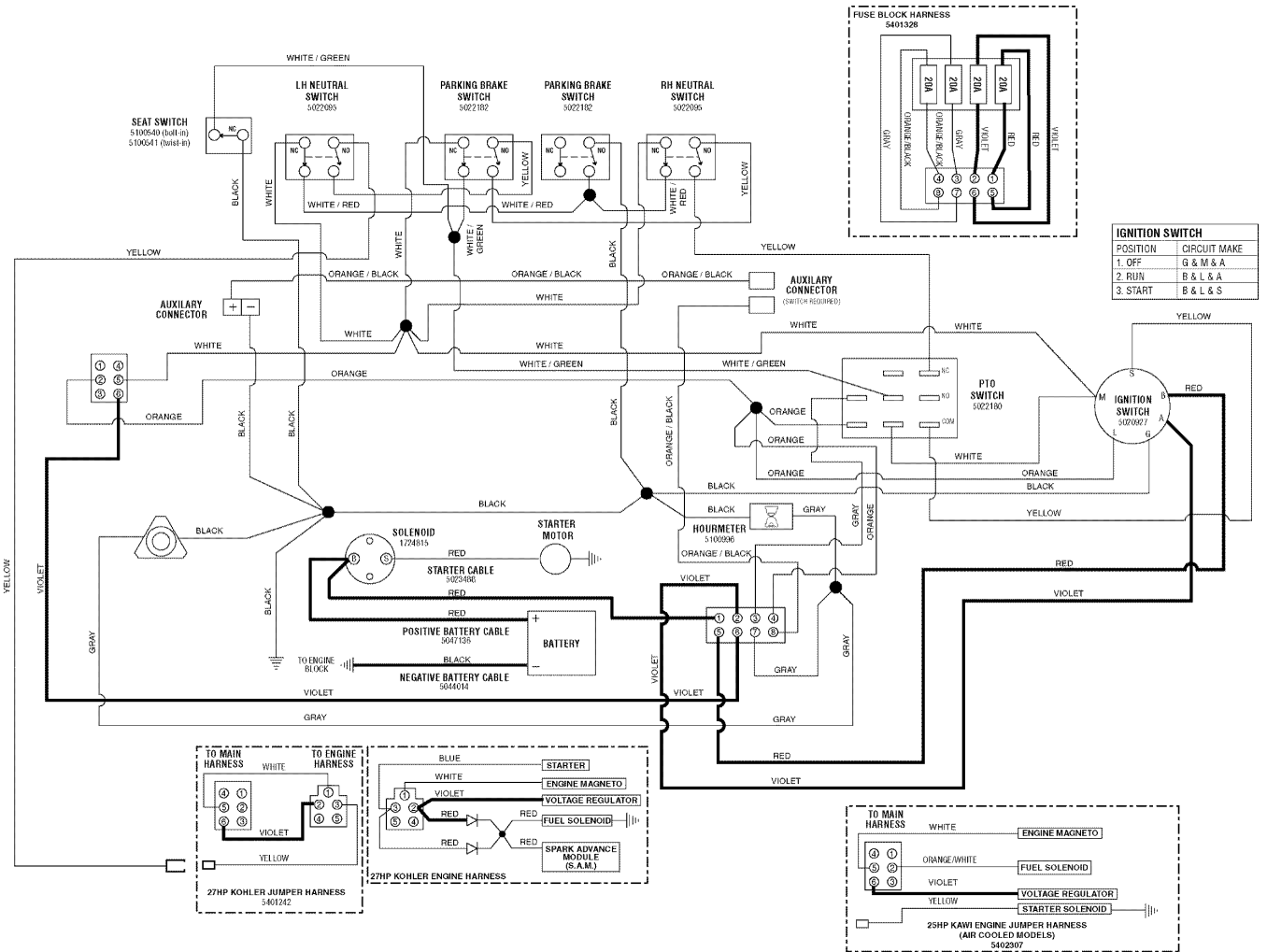
48" & 52" Mower Deck - Rollers

REF NO.	PART NO.	QTY.	DESCRIPTION
1	-	-	MOWER DECK
2	5025156	2	WASHER, 3/8" SAE
3	5025394	4	NUT, 3/8-16 HEX NYLOCK FLANGE
4	5046586	2	SPACER, .38 X .50 X 5.06
5	5025158	2	WASHER, 1/2 SAE
6	5025013X48	2	BOLT, 3/8-16 X 6 GD5 YZ
7	2108765	2	BOLT-WHEEL 3/8-16X2.781 .750 THRD YELLOW
8	1960027	4	WASHER-0500(0.51IDX0.87ODX.06THK) BLK
9	1714760	4	GAUGE WHEEL

Footnotes

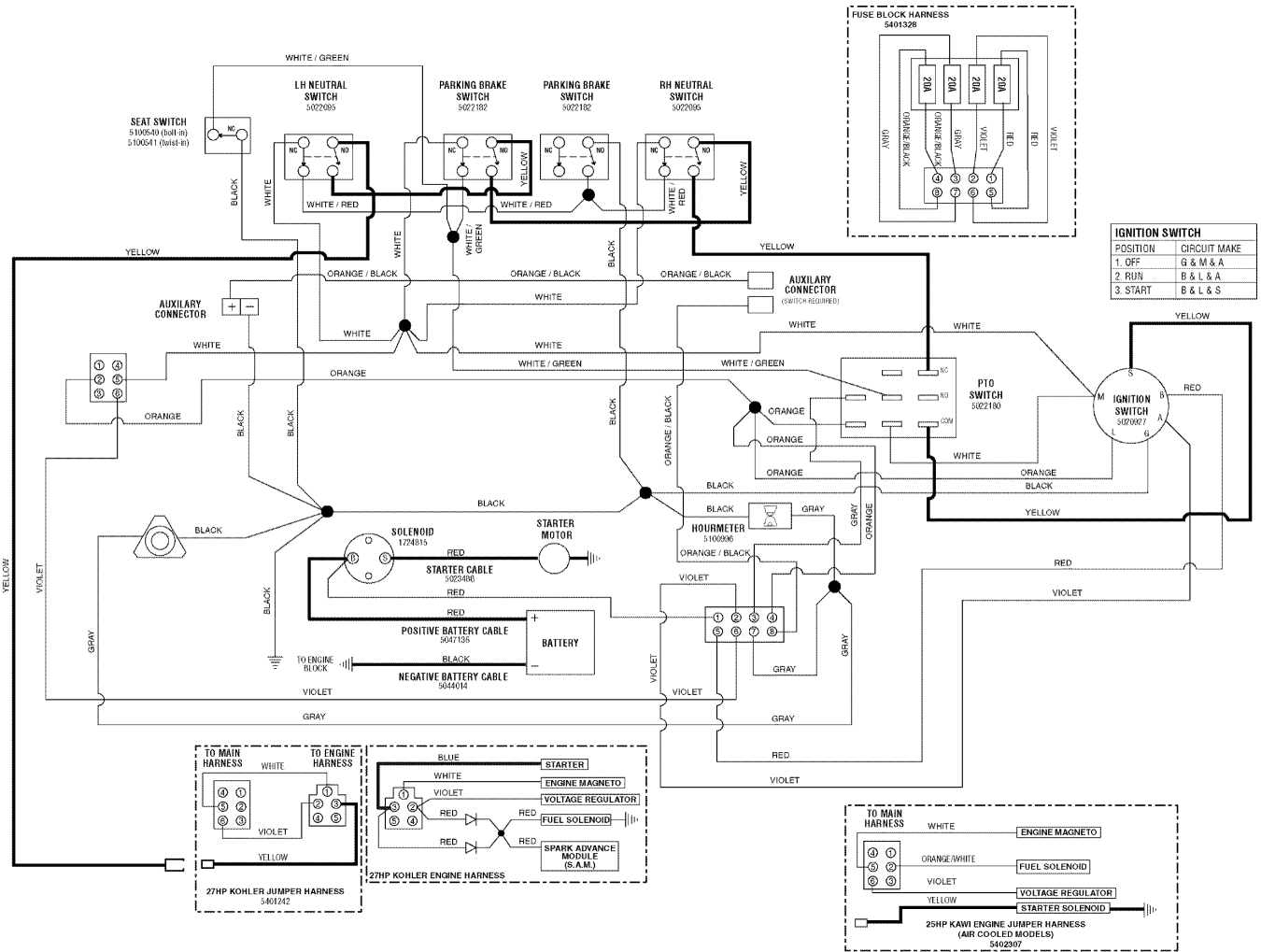
The above parts group applies to the following Mfg. Nos.:

5900665
5900686
5900696
5900697



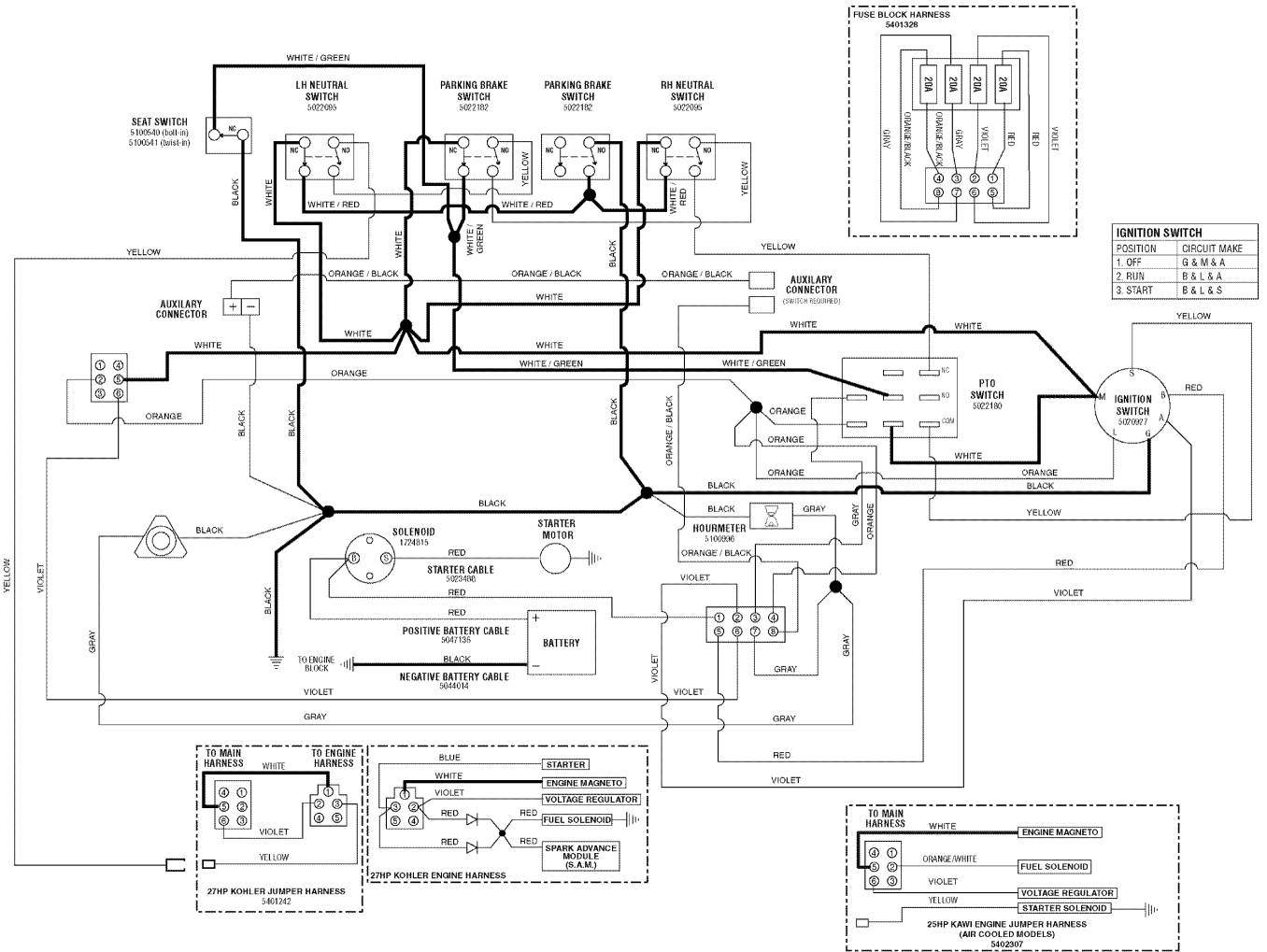
The above parts group applies to the following Mfg. Nos.:

- 5900665
- 5900686
- 5900696
- 5900697



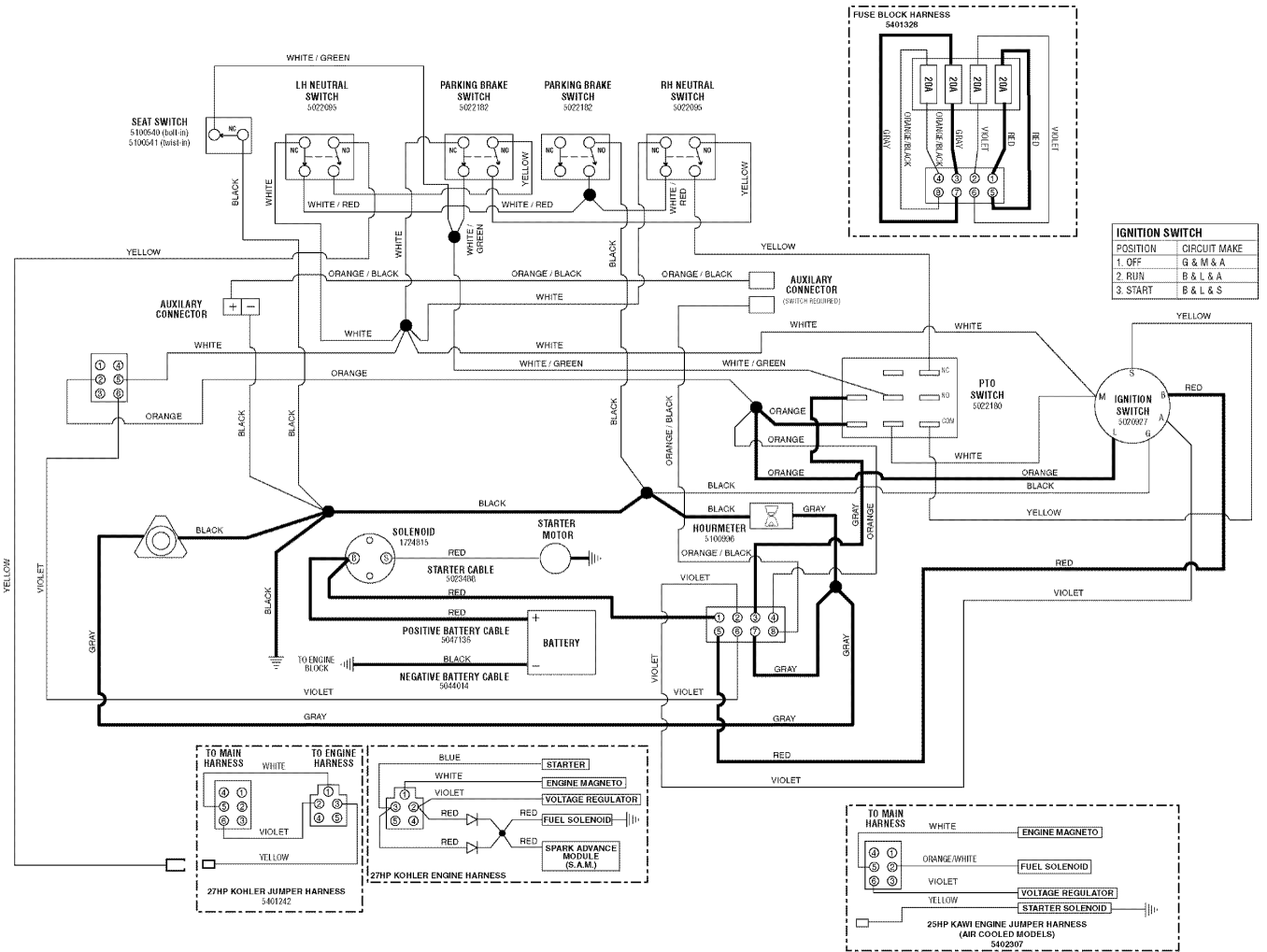
The above parts group applies to the following Mfg. Nos.:

- 5900665
- 5900686
- 5900696
- 5900697



The above parts group applies to the following Mfg. Nos.:

- 5900665
- 5900686
- 5900696
- 5900697



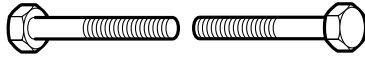
The above parts group applies to the following Mfg. Nos.:

- 5900665
- 5900686
- 5900696
- 5900697

Hardware Identification & Torque Specifications

Common Hardware Types

Hex Head Capscrew



Washer



Carriage Bolt



Lockwasher



Hex Nut

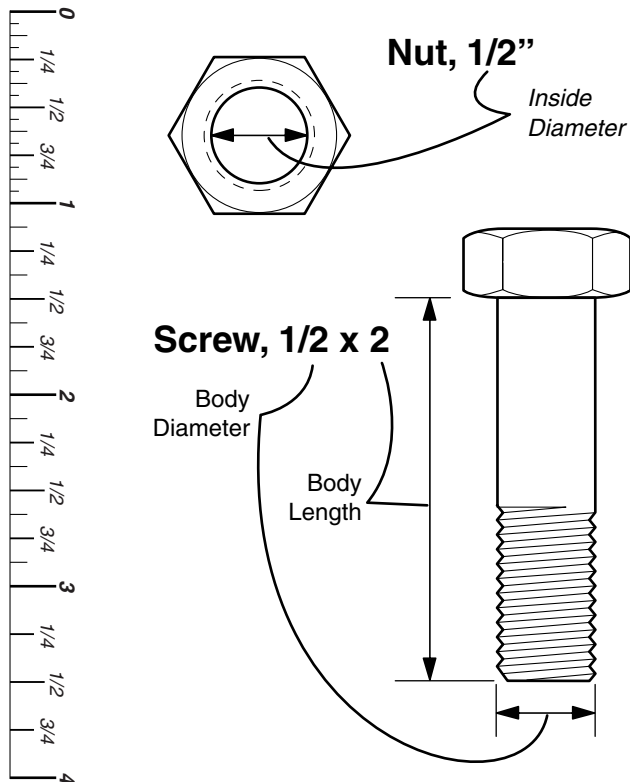


Standard Hardware Sizing

When a washer or nut is identified as $1/2''$, this is the *Nominal size*, meaning the *inside diameter* is $1/2$ inch; if a second number is present it represents the *threads per inch*

When bolt or capscrew is identified as $1/2 - 16 \times 2''$, this means the *Nominal size*, or *body diameter* is $1/2$ inch; the second number represents the *threads per inch* (16 in this example, and the final number is the *body length* of the bolt or screw (in this example 2 inches long).

The guides and ruler furnished below are designed to help you select the appropriate hardware and tools.



Torque Specification Chart

FOR STANDARD MACHINE HARDWARE (Tolerance $\pm 20\%$)

Hardware Grade	No Marks SAE Grade 2		SAE Grade 5		SAE Grade 8	
	in/lbs ft/lbs	Nm.	in/lbs ft/lbs	Nm.	in/lbs ft/lbs	Nm.
8-32	19	2.1	30	3.4	41	4.6
8-36	20	2.3	31	3.5	43	4.9
10-24	27	3.1	43	4.9	60	6.8
10-32	31	3.5	49	5.5	68	7.7
1/4-20	66	7.6	8	10.9	12	16.3
1/4-28	76	8.6	10	13.6	14	19.0
5/16-18	11	15.0	17	23.1	25	34.0
5/16-24	12	16.3	19	25.8	27	34.0
3/8-16	20	27.2	30	40.8	45	61.2
3/8-24	23	31.3	35	47.6	50	68.0
7/16-14	30	40.8	50	68.0	70	95.2
7/16-20	35	47.6	55	74.8	80	108.8
1/2-13	50	68.0	75	102.0	110	149.6
1/2-20	55	74.8	90	122.4	120	163.2
9/16-12	65	88.4	110	149.6	150	204.0
9/16-18	75	102.0	120	163.2	170	231.2
5/8-11	90	122.4	150	204.0	220	299.2
5/8-18	100	136	180	244.8	240	326.4
3/4-10	160	217.6	260	353.6	386	525.0
3/4-16	180	244.8	300	408.0	420	571.2
7/8-9	140	190.4	400	544.0	600	816.0
7/8-14	155	210.8	440	598.4	660	897.6
1-8	220	299.2	580	788.8	900	1,244.0
1-12	240	326.4	640	870.4	1,000	1,360.0

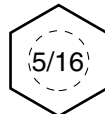
NOTES

- These torque values are to be used for all hardware excluding: locknuts, self-tapping screws, thread forming screws, sheet metal screws and socket head setscrews.
- Recommended seating torque values for locknuts:
 - for prevailing torque locknuts - use 65% of grade 5 torques.
 - for flange whizlock nuts and screws - use 135% of grade 5 torques.
- Unless otherwise noted on assembly drawings, all torque values must meet this specification.

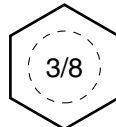
Wrench & Fastener Size Guide



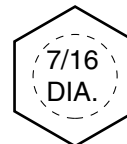
$1/4''$ Bolt or Nut
Wrench— $7/16''$



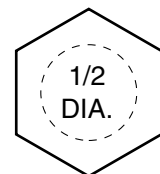
$5/16''$ Bolt or Nut
Wrench— $1/2''$



$3/8''$ Bolt or Nut
Wrench— $9/16''$



$7/16''$ Bolt or Nut
Wrench (Bolt)— $5/8''$
Wrench (Nut)— $11/16''$



$1/2''$ Bolt or Nut
Wrench— $3/4''$

Parts Manual S150X Series

Zero-Turn Riding Mower

IT IS THE POLICY OF FERRIS INDUSTRIES TO IMPROVE ITS PRODUCTS WHENEVER IT IS POSSIBLE AND PRACTICAL TO DO SO. WE RESERVE THE RIGHT TO MAKE CHANGES OR ADD IMPROVEMENTS AT ANY TIME WITHOUT INCURRING ANY OBLIGATION TO MAKE SUCH CHANGES ON PRODUCTS MANUFACTURED

Briggs and Stratton Yard Power Products Group

5375 North Main Street
Munnsville, NY 13409 USA
800-933-6175

www.ferrisindustries.com

© Copyright 2007 Briggs and Stratton Corporation
All Rights Reserved. Printed In USA.