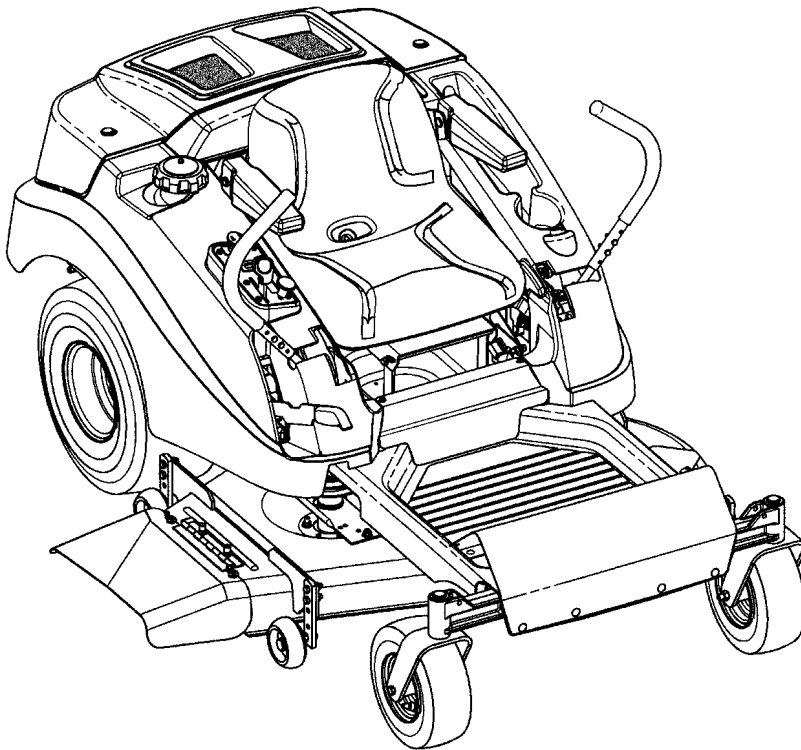


*Parts Manual for*

# **SNAPPER®**

## **RZT TWIN STICK HYDRO DRIVE 250 Z 38" & 42" SERIES 0 & 1**



### **MODEL**

RZT185380BVE (7800009)

RZT185381BVE (7800151)

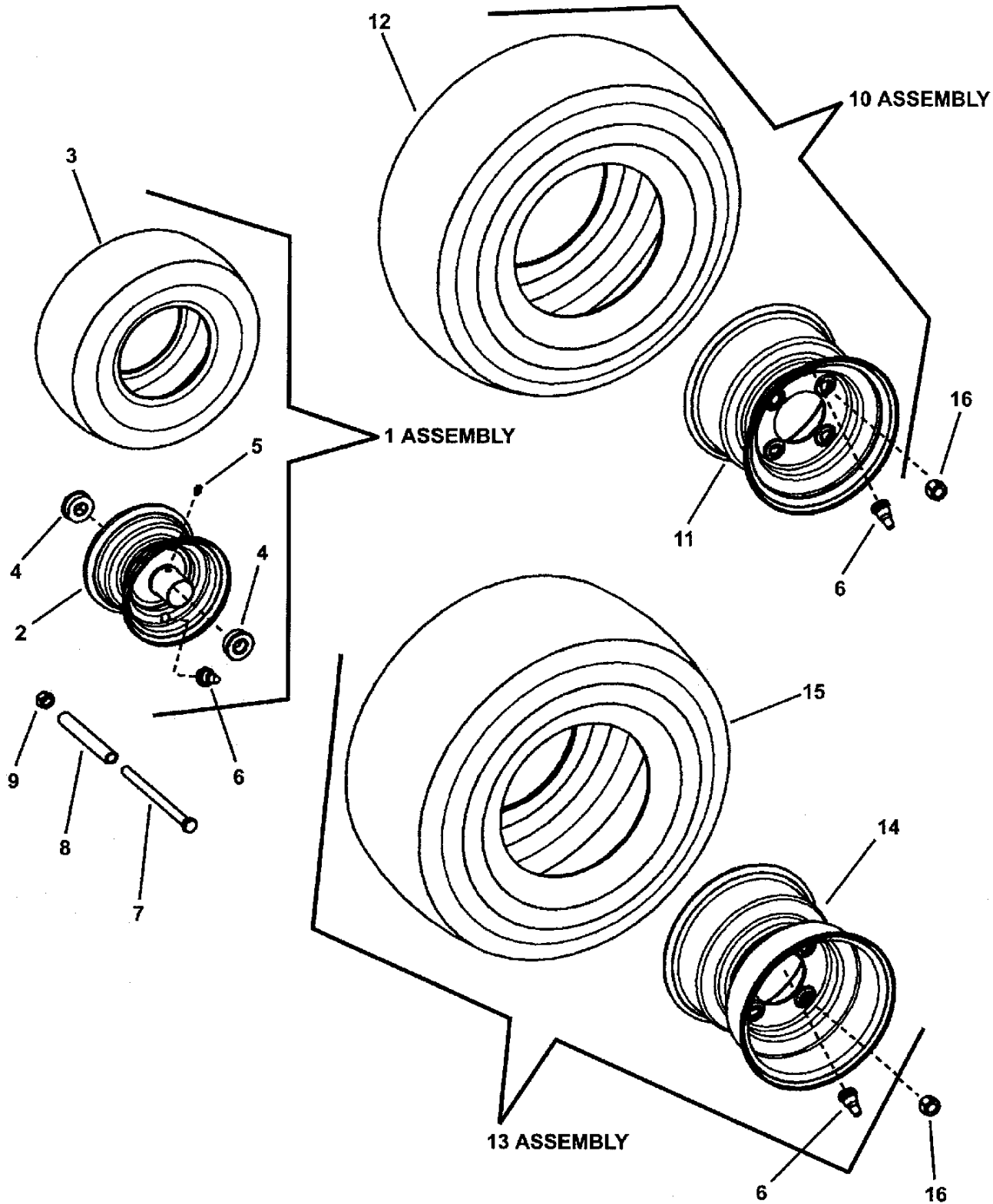
RZT20420BVE2 (7800010)

RZT20421BVE2 (7800152)

**SNAPPER®** McDonough, GA, 30253 U.S.A.



<b>PAGE</b>	<b>GROUP</b>
4	WHEEL GROUP
6	FRONT AXLE GROUP
8	FRAME GROUP
10	TRANSAXLE GROUP
12	CONTROL GROUP, LH
16	CONTROL GROUP, RH
20	PARK BRAKE GROUP
22	SNAPPER FENDER GROUP
24	SEAT GROUP
26	ENGINE GROUP (18.5 HP Briggs)
30	ENGINE GROUP (20 HP Briggs)
34	DECAL GROUP
36	DECK LIFT GROUP (38/42)
38	38" DECK GROUP (Sub-Assembly)
40	38" DECK GROUP (Final Assembly)
42	38" DECK SPINDLE
44	42" DECK GROUP (Sub-Assembly)
46	42" DECK GROUP (Final Assembly)
48	42" DECK SPINDLE
50	ELECTRICAL GROUP
52	WIRING HARNESS
54	WIRING SCHEMATIC (Briggs Engine)

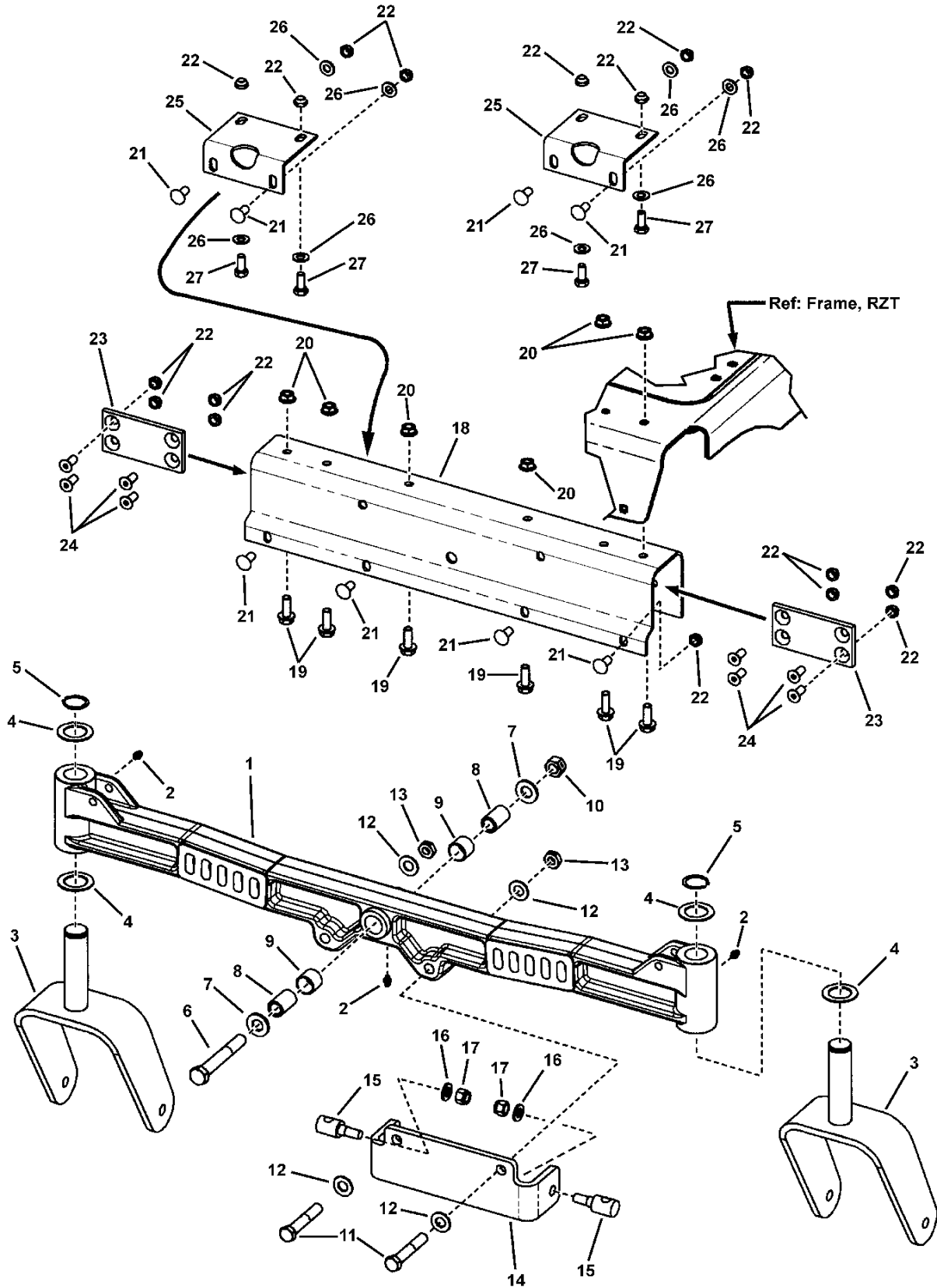


## WHEEL GROUP

Item	Part No	Qty	Description	Note
1	7059090	2	ASSEMBLY, Front Wheel & Tire	
2	7039477	1	RIM, Caster Wheel	
3	7035618	1	TIRE, 11 x 4.00-5, Smooth Tread	
4	7035358	2	BALL BEARING, .625 x 1.38	
5	7029275	1	GREASE FITTING, 1/4-28 thread forming	<i>Alemite #3038-B</i>
6	7012234	1	VALVE STEM, Snap In	
7	7091772	2	SCREW, 7/16-14 x 6", Hex Head Cap, GR 5	
8	7035359	2	TUBE, 5/8 O.D. x 14 Ga. Wall x 4.510" long	<i>caster wheel spacer</i>
9	7090839	2	NUT, 7/16-14 Hex Center Lock, GR 5 or B	
10	7050539	2	ASS'Y, 18 x 6.50-8 Tire/Wheel, Turf-Master	<i>used on RZT185380BVE</i>
11	7078114	1	RIM, 18 x 6.50, 4 Bolt	
12	7078119	1	TIRE, 18 x 6.50-8, Turf Master	
13	7050538	2	ASS'Y, 18 x 8.50-8 Tire/Wheel, Turf-Master	<i>used on RZT20420BVE2</i>
14	7078113	1	RIM, 18 x 8.50, 4 Bolt	
15	7078109	1	TIRE, 18 x 8.50-8, Turf Master	
16	7027192	8	LUG NUT 1/2-20 Tapered Seat YZ	

### Footnotes:

# FRONT AXLE GROUP

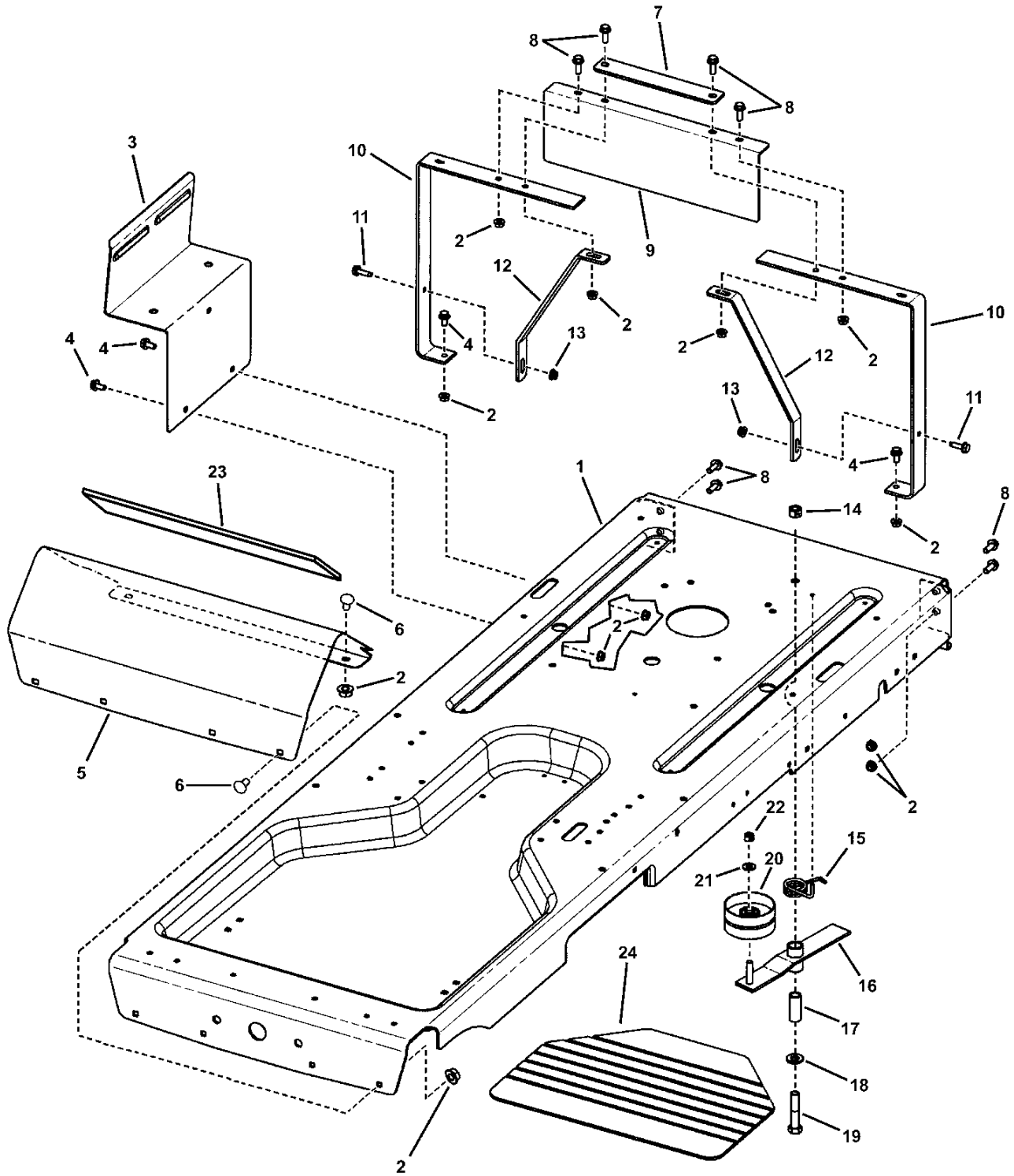


## FRONT AXLE GROUP

Item	Part No	Qty	Description	Note
1	7100321	1	FRONT AXLE, Cast (Cardinal Red)	
2	7013864	3	LUBE FITTING, 3/16" Press-In	
3	7400075	2	WELDMENT, Caster (Cardinal Red)	
4	7013855	4	THRUST WASHER, 1" I.D.	
5	7012709	2	RETAINING RING, 1" External	
6	7091558	1	SCREW, 1/2-13 x 3-1/2" Hex Head Cap, YZ	
7	7090250	2	WASHER, 1/2" SAE Flat	
8	7011309	2	SPACER, Axle Pivot	
9	7012706	2	BEARING SLEEVE	
10	7091894	1	NUT, 1/2-13 Hex Center Lock, GR 5, YZ	
11	7091703	2	SCREW, 7/16-20 x 2-1/2" Hex Head Cap, GR 5 (Special Head)	
12	7091595	4	WASHER, .47 x .92 x .065 Flat	
13	7090377	2	NUT, 7/16-20 Hex Center Lock Jam, GR 5 or B	
14	7300080	1	BRACKET, Quick Hitch	
15	7200028	2	SWIVEL, 3/8-16 Inline	
16	7032030	2	WASHER, 13/32 x 1-1/4" Flat	
17	7091299	2	NUT, 3/8-16 Hex Nyloc	
18	7300187	1	BRACKET, Axle (Cardinal Red)	
19	7091905	6	BOLT, 5/16-18 x 7/8" Hex Flange Lock, YZ	
20	7091601	6	NUT, 5/16-18 Hex Flange Lock, GR 5	
21	7091508	8	BOLT, 5/16-18 x 3/4" Short Neck Carriage, GR 5	
22	7091706	20	NUT, 5/16-18 Hex Top Lock, GR B	
23	7100417	2	PLATE, Friction	
24	7077683	8	SCREW, 5/16-18 x 1" Flat Head Countersunk	
25	7300004	2	BRACKET, Axle Support	
26	7090188	8	WASHER, .34 x .69 x .08 Flat	
27	7091318	4	SCREW, 5/16-18 x 3/4" Hex Head Cap, GR 5, YZ	

### Footnotes:

# FRAME GROUP



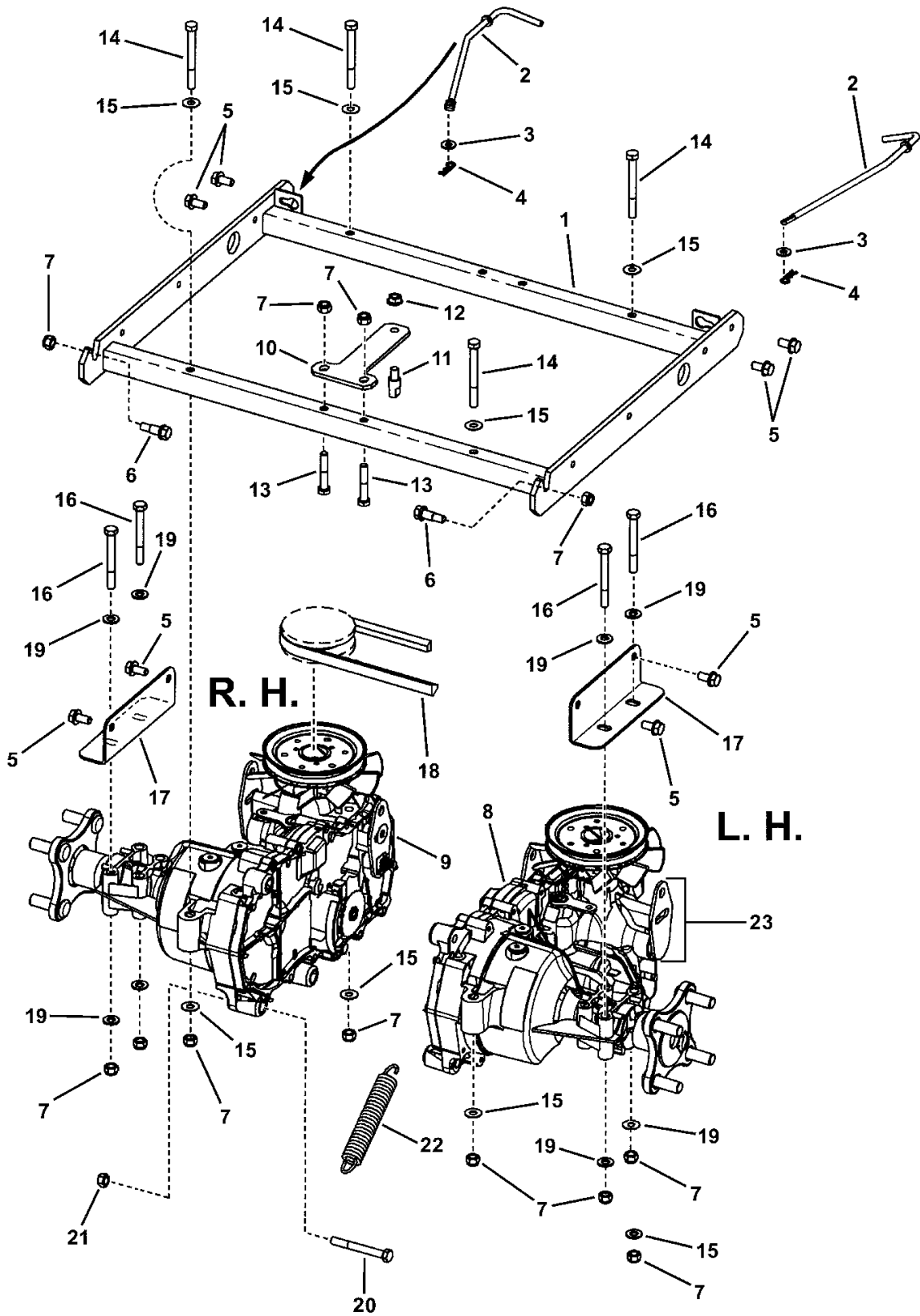


## FRAME GROUP

Item	Part No	Qty	Description	Note
	7500012	1	SUB-ASSEMBLY, Frame, (Red Paint)	<i>includes 22 Items shown below</i>
1	7300181	1	FRAME, RZT (Cardinal Red)	
2	7091601	12	NUT, 5/16-18 Hex Flange Lock, GR 5	
3	7300006	1	TANK BRACKET	
4	7091811	4	BOLT, 5/16-18 x 5/8" Hex Flange Lock, GR 5	
5	7300184	1	FOOTREST, Snapper (Cardinal Red)	
6	7091508	6	BOLT, 5/16-18 x 3/4" Short Neck Carriage, GR 5	
7	7300226	1	PLATE, Rear Seat Guard	
8	7091905	8	BOLT, 5/16-18 x 7/8" Hex Flange Lock, YZ	
9	7043307	1	HEAT SHIELD	<i>finish: black powder coat</i>
10	7043309	2	BRACKET, Body Support	
11	7091742	2	SCREW, 5/16-18 x 1" Hex Washer Self-Tap, GR 5	
12	7300342	2	BRACE, Hood/Fender	
13	7091070	2	NUT, 5/16-18 Hex Flange Lock, GR 5	
14	7091894	1	NUT, 1/2-13 Hex Center Lock, GR 5, YZ	
15	7044760	1	SPRING, Torsion, RH Wind	
16	7400021	1	WELDMENT, Hydro Idler	
17	7200034	1	SPACER, Hydro Idler	
18	7091587	1	WASHER, .531 x 1.062 x .121 Flat, YZ	
19	7091218	1	SCREW 1/2-13 x 2-1/2" Hex Head Cap, GR 5 (Black Phosphate)	
20	7100103	1	IDLER, 3.25" OD x .391 ID x 1.63 Backside	
21	7090122	1	WASHER, 3/8" Flat SAE	
22	7091585	1	NUT, 3/8-16 Hex Center Lock, GR 5 or B, YZ	
23	7100266	1	MAT, Foot Rest RZT	
24	7100287	1	MAT, Floor Pan	

### Footnotes:

**TRANSAXLE GROUP**

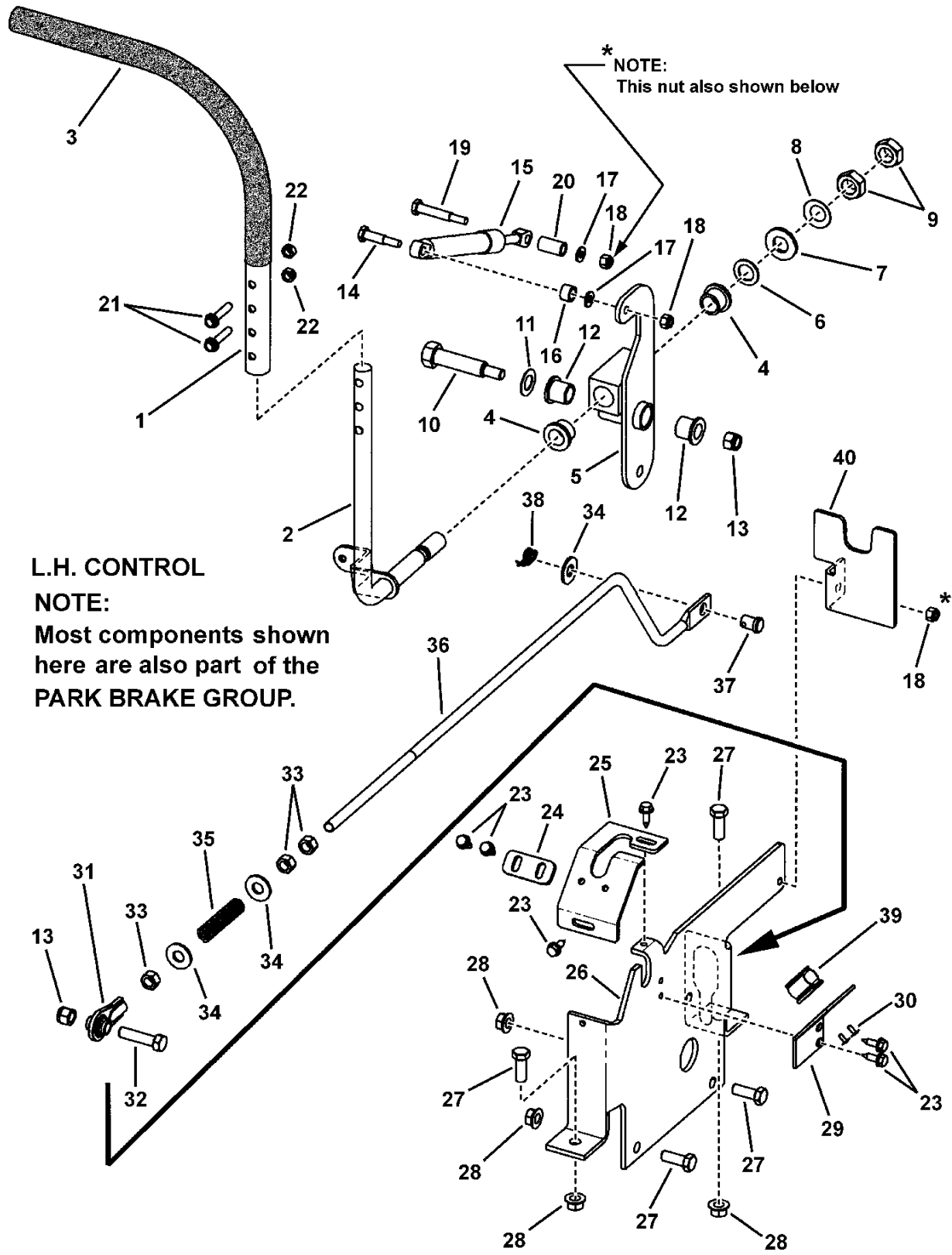


## TRANSAXLE GROUP

Item	Part No	Qty	Description	Note
1	7400020	1	WELDMENT, Transaxle Support	
2	7100229	2	ROD, Roll Release	
3	7091294	2	WASHER, .28 x .63 x .06 Flat, GR 5	
4	7012431	2	HAIR PIN, 1-1/8"	
5	7091867	8	SCREW, 5/16-18 x 5/8" Hex Washer Self-Tap, GR 2	
6	7014664	2	SHOULDER BOLT, 5/16-18	<i>.530 long shoulder</i>
7	7091298	12	NUT, 5/16-18 Hex Nyloc	
8	7078112	1	TRANSAXLE, LH RZT	<i>ZA-AHBB-2D5A-2DCX</i>
9	7078111	1	TRANSAXLE, RH RZT	<i>ZA-DHBB-2D5A-2DCX</i>
10	7300082	1	BRACKET, Anti-Rotation	
11	7200046	1	PIN, Anti-Rotation, RZT Clutch	
12	7091601	1	NUT, 5/16-18 Hex Flange Lock, GR 5	
13	7091908	2	SCREW, 5/16-18 x 1-3/4" Hex Head Cap, GR 5, YZ	
14	7091830	4	SCREW, 5/16-18 x 3" Hex Head Cap, GR 5, YZ	
15	7015686	8	SHIM WASHER, 5/16" I.D.	
16	7091944	4	SCREW 5/16-18 x 2-3/4" Hex Head Cap, GR 5, YZ	
17	7300000	2	BRACKET, Transaxle Support	
18	7100102	1	V-BELT, HA Sect. (wrapped) 58.00 effective length	<i>hydro drive</i>
19	7090188	8	WASHER, .34 x .69 x .08 Flat	
20	7091703	2	SCREW, 7/16-20 x 2-1/2" Hex Head Cap, GR 5 (Special Head)	
21	7090377	2	NUT, 7/16-20 Hex Center Lock Jam, GR 5 or B	
22	2159106	1	SPRING, Extention, .562 OD x 4.250 long x .049 Wire B	
23	1735484	2	ARM, Control Kit	<i>(Used for both R.H. &amp; L.H. Transaxle)</i>

### Footnotes:

**CONTROL GROUP, LH**

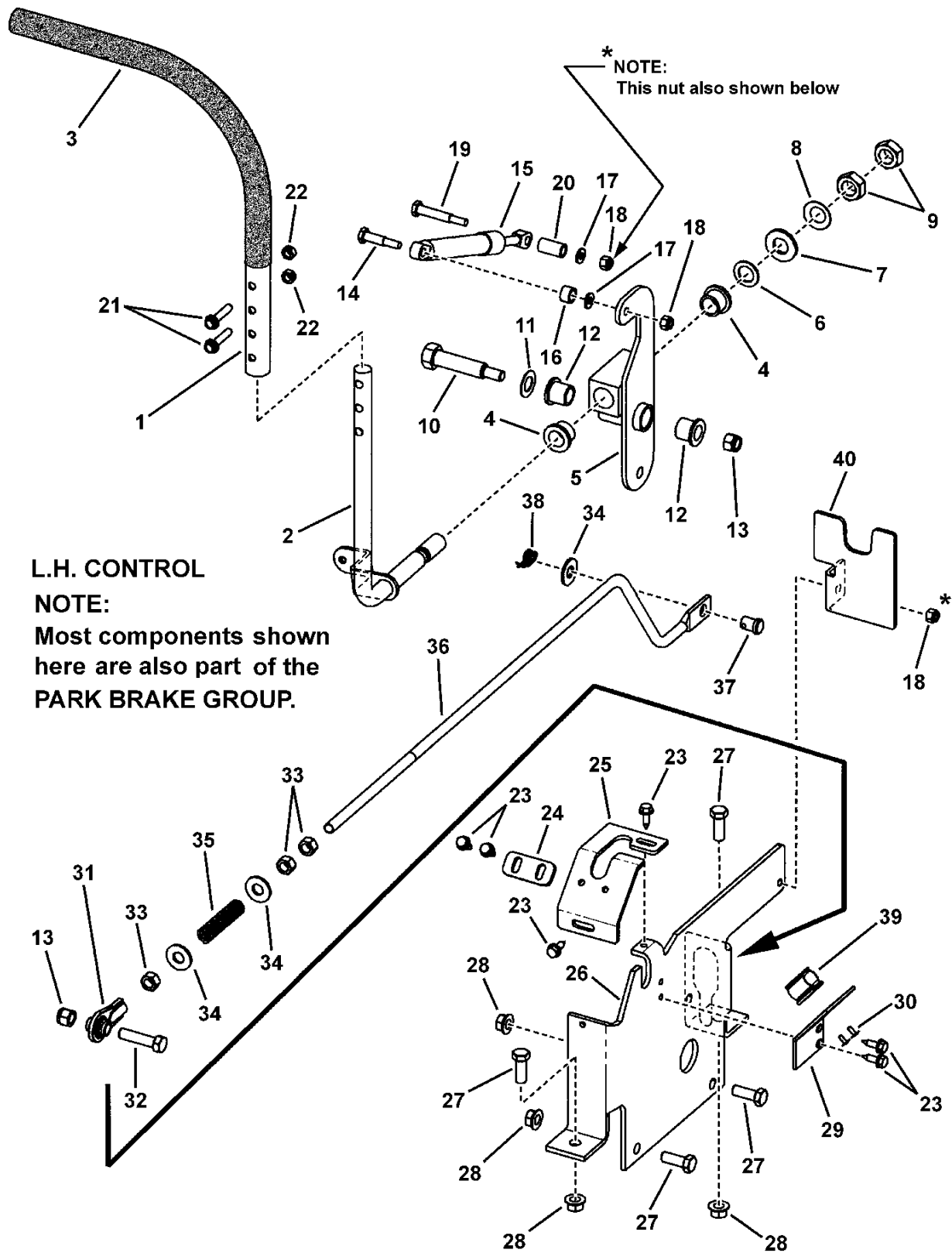


## CONTROL GROUP, LH

Item	Part No	Qty	Description	Note
1	7043338	1	HANDLE	
2	7043336	1	WELDMENT, LH Control Arm	
3	7100051	1	FOAM GRIP, Handle	
4	7013874	2	BUSHING	
5	7043301	1	WELDMENT, Control Bracket, LH	
6	7900016	1	WASHER, 5/8 ID x 1.00 OD x .065 Nylon	
7	7027344	1	WASHER, 5/8" Flat SAE	
8	7011121	1	WASHER, .64 x 1.12 x .028 Beveled	
9	7090658	2	NUT, 5/8-18 Hex Jam	
10	7200012	1	SHOULDER BOLT, 3/8-16	<i>2.013 long shoulder</i>
11	1670971	1	THRUST WASHER, .562 ID x 1.000 OD x .030/.032 Thick	
12	7014409	2	FLANGE BEARING, 9/16 I.D. P.M.	<i>powdered metal</i>
13	7091299	2	NUT, 3/8-16 Hex Nyloc	<i>or 7091585, 3/8-16 Hex Center Lock Nut</i>
14	7900003	1	SHOULDER BOLT, 5/16 x 1/4-20	<i>.800 long shoulder</i>
15	5022978	1	DAMPENER, Hydraulic	
16	7200006	1	SPACER, 9/16 OD x 12GA x .325	
17	7100415	2	WASHER, 1/4" I.D. Flat	<i>case hardened steel</i>
18	7091603	2	NUT, 1/4-20 Hex Nyloc	<i>or item 22</i>
19	7900002	1	SHOULDER BOLT, 5/16 x 1/4-20	<i>1.360 long shoulder</i>
20	7200005	1	SPACER, 9/16 OD x 12GA x .899	
21	7900029	2	SCREW, 1/4-20 x1-1/4" Hex Head Cap, GR 5	
22	7092126	2	NUT 1/4-20 Hex Center Lock, GR 5 YZ	
23	7091686	8	SCREW, 1/4-20 x 3/4" Hex Washer Self-Tap	
24	7300009	1	PLATE, Fwd/Rev Adjust	
25	7300010	1	TRACK, Control Stick L.H.	
26	7043302	1	CONTROL BRACKET, LH	
27	7091304	4	SCREW, 3/8-16 x 1" Hex Head Cap, GR 5, YZ	
28	7091619	4	NUT, 3/8-16 Hex Flange Lock	
29	7300264	1	BRACKET, Rod Holder, RZT	
30	7091095	2	POP RIVET, 1/8 x 3/8"	
	7500349	1	ASSEMBLY, Fwd/Rev Rod	<i>(was 7500059); incl. items 31, 33, 34, 35 &amp; 36</i>
31	7027936	1	ROD END	
32	7091497	1	SCREW, 3/8-16 x 1-1/2" Hex Head Cap, GR 5	
33	7091630	3	NUT, 3/8-24 Hex, GR B, YZ	
34	7090517	3	WASHER, 3/8" Flat	
35	7074511	1	SPRING, Compression (Brake)	
36	7200009	1	ROD, Link Fwd./Rev. (3/8-24 thread)	

### Footnotes:

# CONTROL GROUP, LH



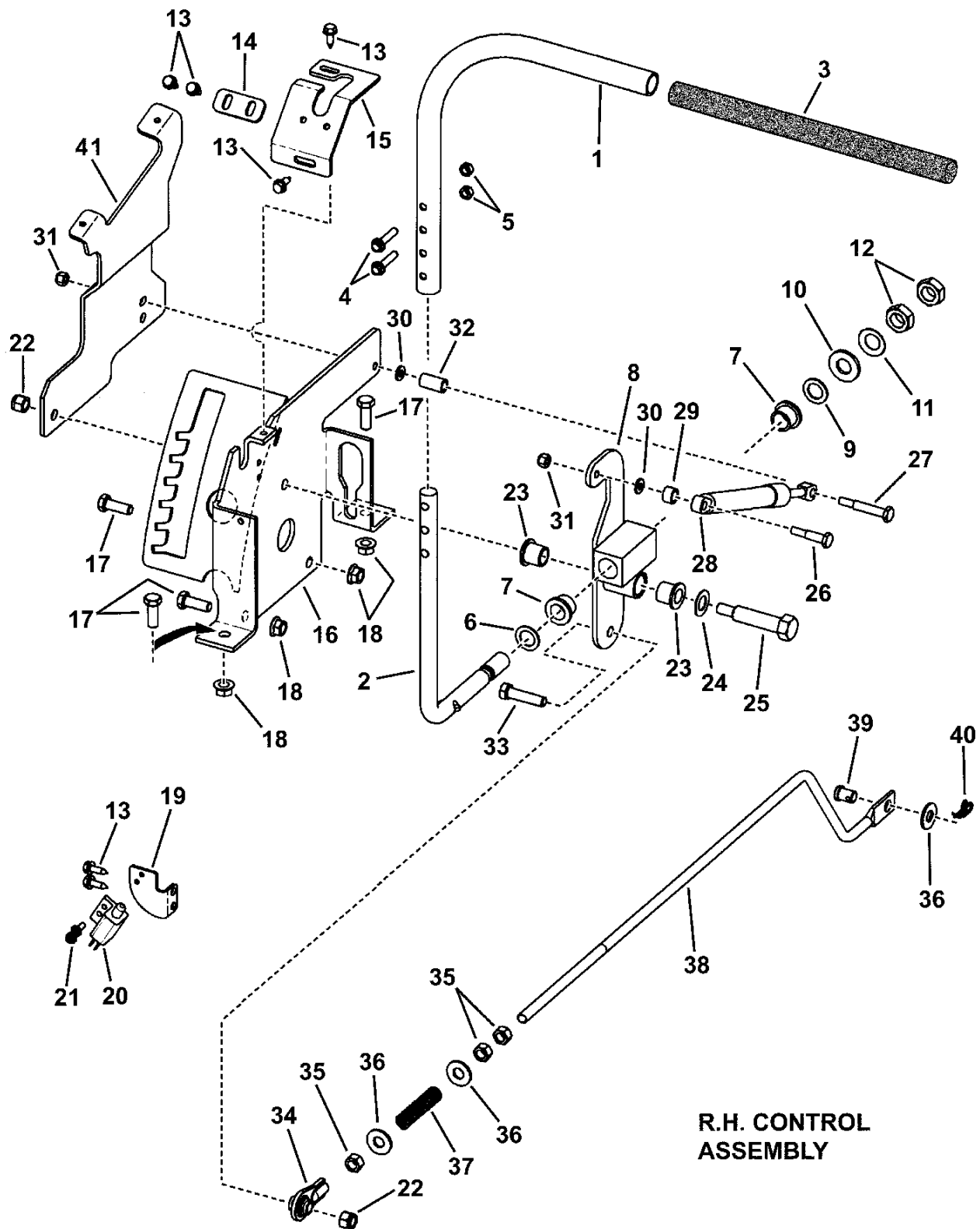
## **CONTROL GROUP, LH**

---

<b>Item</b>	<b>Part No</b>	<b>Qty</b>	<b>Description</b>	<b>Note</b>
37	7900000	1	CLEVIS PIN, 7/16 x 1"	
38	7091594	1	COTTER PIN, 1/2 Self Locking, YZ	
39	7100487	1	CLIP, Spring	
40	7300489	1	BRACKET, Fender Support, LH RZT	

**Footnotes:**

**CONTROL GROUP, RH**



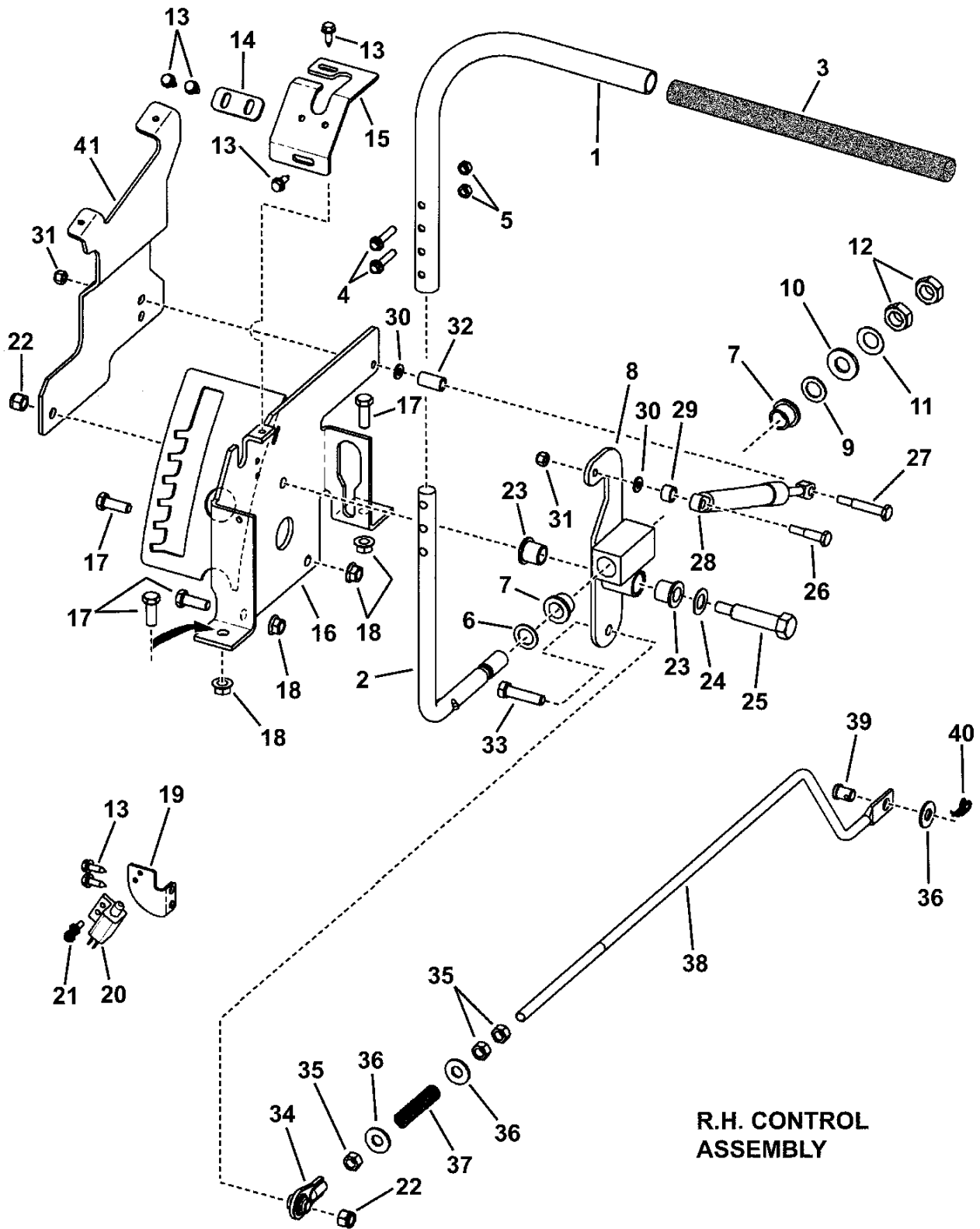


## CONTROL GROUP, RH

Item	Part No	Qty	Description	Note
1	7043338	1	HANDLE	
2	7200004	1	ROD, Handle R.H.	
3	7100051	1	FOAM GRIP, Handle	
4	7900029	2	SCREW, 1/4-20 x1-1/4" Hex Head Cap, GR 5	
5	7092126	2	NUT 1/4-20 Hex Center Lock, GR 5 YZ	
6	7091628	1	WASHER, .64 x .99 x .05 Flat, YZ	
7	7013874	2	BUSHING	
8	7400001	1	WELDMENT, Control Bracket, RH	
9	7900016	1	WASHER, 5/8 ID x 1.00 OD x .065 Nylon	
10	7027344	1	WASHER, 5/8 SAE Flat	
11	7011121	1	WASHER, .64 x 1.12 x .028 Beveled	
12	7090658	2	NUT, 5/8-18 Hex Jam	
13	7091686	6	SCREW, 1/4-20 x 3/4" Hex Washer Self-Tap	
14	7300009	1	PLATE, Fwd/Rev Adjust	
15	7300008	1	TRACK, Control Stick, R.H.	
16	7400006	1	WELDMENT, Lift Bracket	
17	7091304	4	SCREW, 3/8-16 x 1" Hex Head Cap, GR 5, YZ	
18	7091619	4	NUT, 3/8-16 Hex Flange Lock	
19	7300032	1	BRACKET, Switch	
20	7023355	1	SWITCH- DPDT	<i>also shown in Electrical Group</i>
21	7090913	2	SCREW, #10-24 x 1/2" Hex Washer Self-Tap (Torx)	
22	7091299	2	NUT, 3/8-16 Hex Nyloc	
23	7014409	2	FLANGE BEARING, 9/16 I.D. P.M.	<i>powdered metal</i>
24	1670971	1	THRUST WASHER, .562 ID x 1.000 OD x .030/.032 Thick	
25	7200012	1	SHOULDER BOLT, 3/8-16	<i>2.013 long shoulder</i>
26	7900003	1	SHOULDER BOLT, 5/16 x 1/4-20	<i>.800 long shoulder</i>
27	7900002	1	SHOULDER BOLT, 5/16 x 1/4-20	<i>1.360 long shoulder</i>
28	5022978	1	DAMPENER, Hydraulic	
29	7200006	1	SPACER, 9/16 OD x 12GA x .325	
30	7100415	2	WASHER, 1/4" I.D. Flat	<i>case hardened steel</i>
31	7091603	2	NUT, 1/4-20 Hex Nyloc	
32	7200005	1	SPACER, 9/16 OD x 12GA x .899	
33	7091497	1	SCREW, 3/8-16 x 1-1/2" Hex Head Cap, GR 5	
	7500059	1	ASSEMBLY, Fwd/Rev Rod	<i>incl. next 5 items</i>
34	7027936	1	ROD END	
35	7091630	3	NUT, 3/8-24 Hex, GR B, YZ	
36	7090517	3	WASHER, 3/8" Flat	

### Footnotes:

**CONTROL GROUP, RH**



**R.H. CONTROL ASSEMBLY**

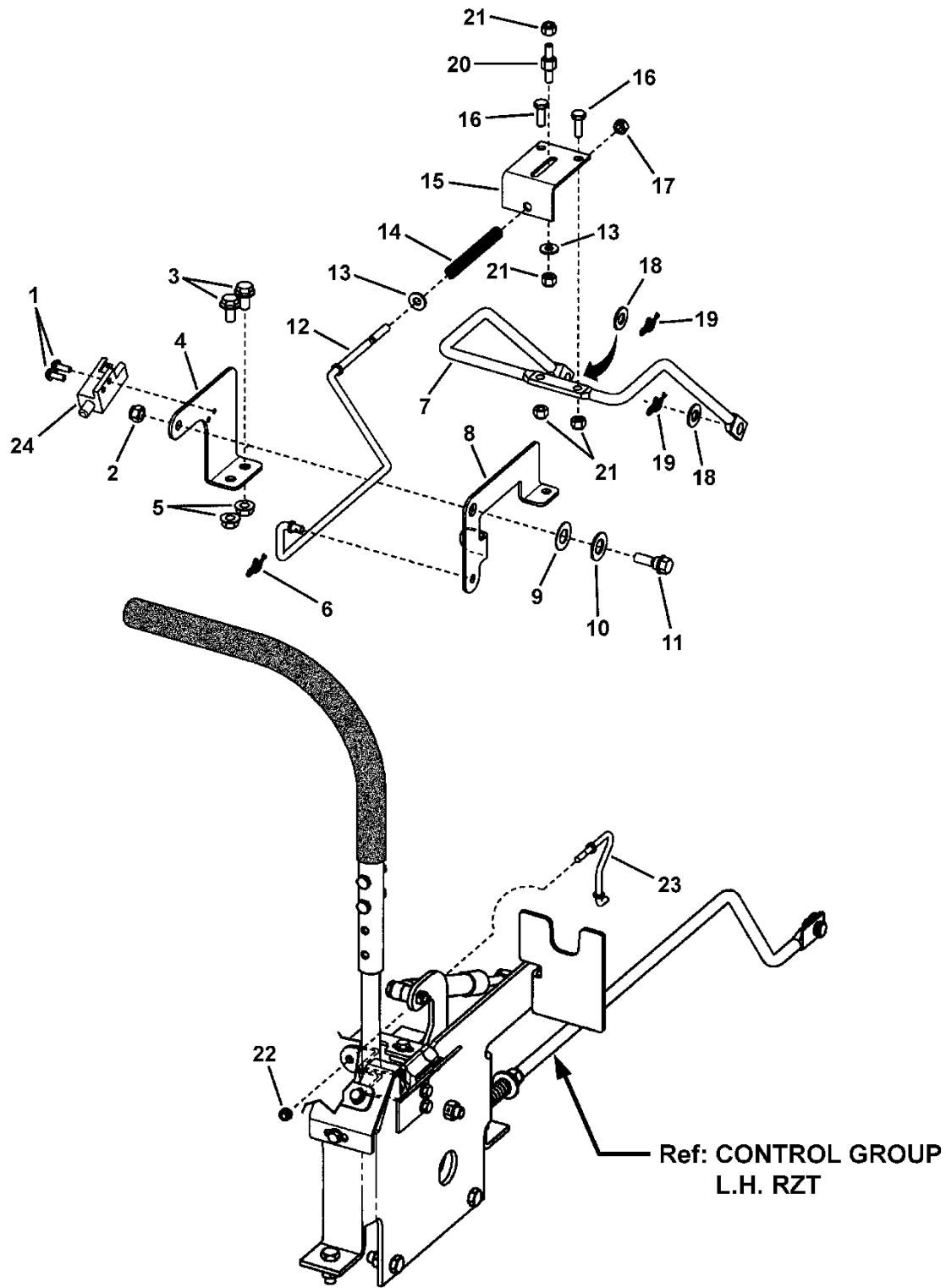
## **CONTROL GROUP, RH**

---

<b>Item</b>	<b>Part No</b>	<b>Qty</b>	<b>Description</b>	<b>Note</b>
37	7074511	1	SPRING, Compression (Brake)	
38	7200009	1	ROD, Link Fwd./Rev. (3/8-24 thread)	
39	7900000	1	CLEVIS PIN, 7/16 x 1"	
40	7091594	1	COTTER PIN, 1/2 Self Locking, YZ	
41	7300354	1	BRACKET, Fender Support, RH	

**Footnotes:**

# PARK BRAKE GROUP

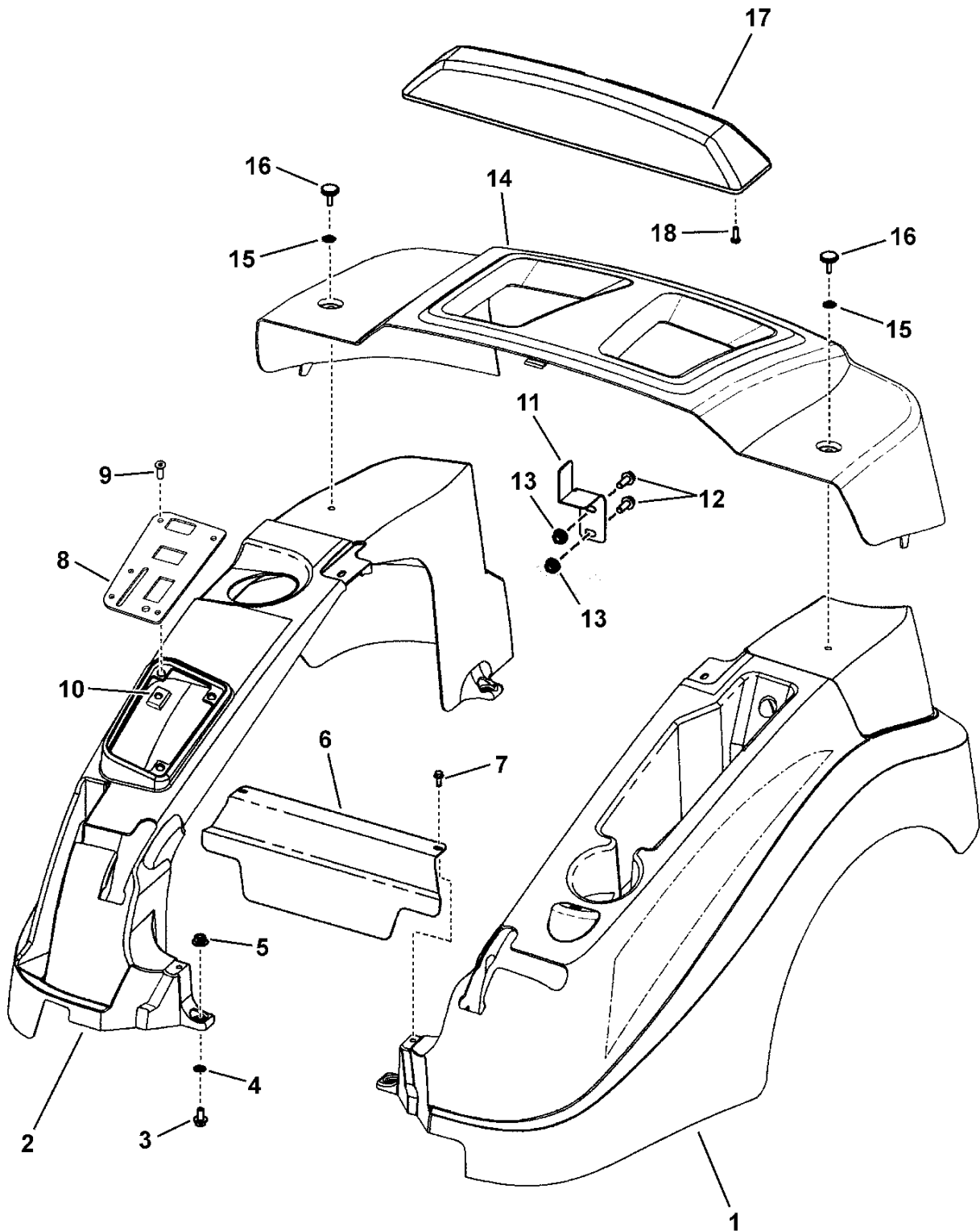


## **PARK BRAKE GROUP**

<b>Item</b>	<b>Part No</b>	<b>Qty</b>	<b>Description</b>	<b>Note</b>
1	7090913	2	SCREW, #10-24 x 1/2" Hex Washer Self-Tap (Torx)	
2	7091298	1	NUT, 5/16-18 Hex Nyloc	
3	7091811	2	BOLT, 5/16-18 x 5/8" Hex Flange Lock, GR 5	
4	7043312	1	BRACKET, Park Brake, LH Lower	
5	7091601	2	NUT, 5/16-18 Hex Flange Lock, GR 5	
6	7024159	1	COTTER PIN, 3/8" Self-Locking	
7	7200007	1	ROD, Park Brake	
8	7043311	1	BRACKET, Park Brake, RH Lower	
9	7091192	1	WASHER, 1/2 x .090 Flat	
10	7025074	1	WASHER, .531 x 1.0 x .063 Flat	
11	7011078	1	SHOULDER BOLT, 5/16-18 x 1"	<i>.220 long shoulder</i>
12	7043335	1	ROD, Park Brake (1/4-20 thread)	
13	7091294	2	WASHER, .28 x .63 x .06 Flat, GR 5	
14	7100100	1	SPRING, Compression	
15	7300007	1	BRACKET, Park Brake	
16	7091495	2	SCREW, 1/4-20 x 3/4" Hex Head Cap, GR 5	
17	7091705	1	NUT, 1/4-20 Hex Top Lock, GR B	<i>or 7092126, 1/4-20 Hex Center Lock Nut, Grade 5</i>
18	7090122	2	WASHER, 3/8" Flat SAE	
19	7091594	3	COTTER PIN, 1/2 Self Locking, YZ	
20	7900005	1	ROD, Hanger (1/4-20 both ends)	
21	7091603	4	NUT, 1/4-20 Hex Nyloc YZ	
22	7091290	1	NUT, 10-24 Hex Nyloc	
23	7043310	1	HOOK, Park Brake	
24	7023355	1	SWITCH- DPDT	<i>also shown in Electrical Group</i>

### **Footnotes:**

**SNAPPER FENDER GROUP**



## SNAPPER FENDER GROUP

---

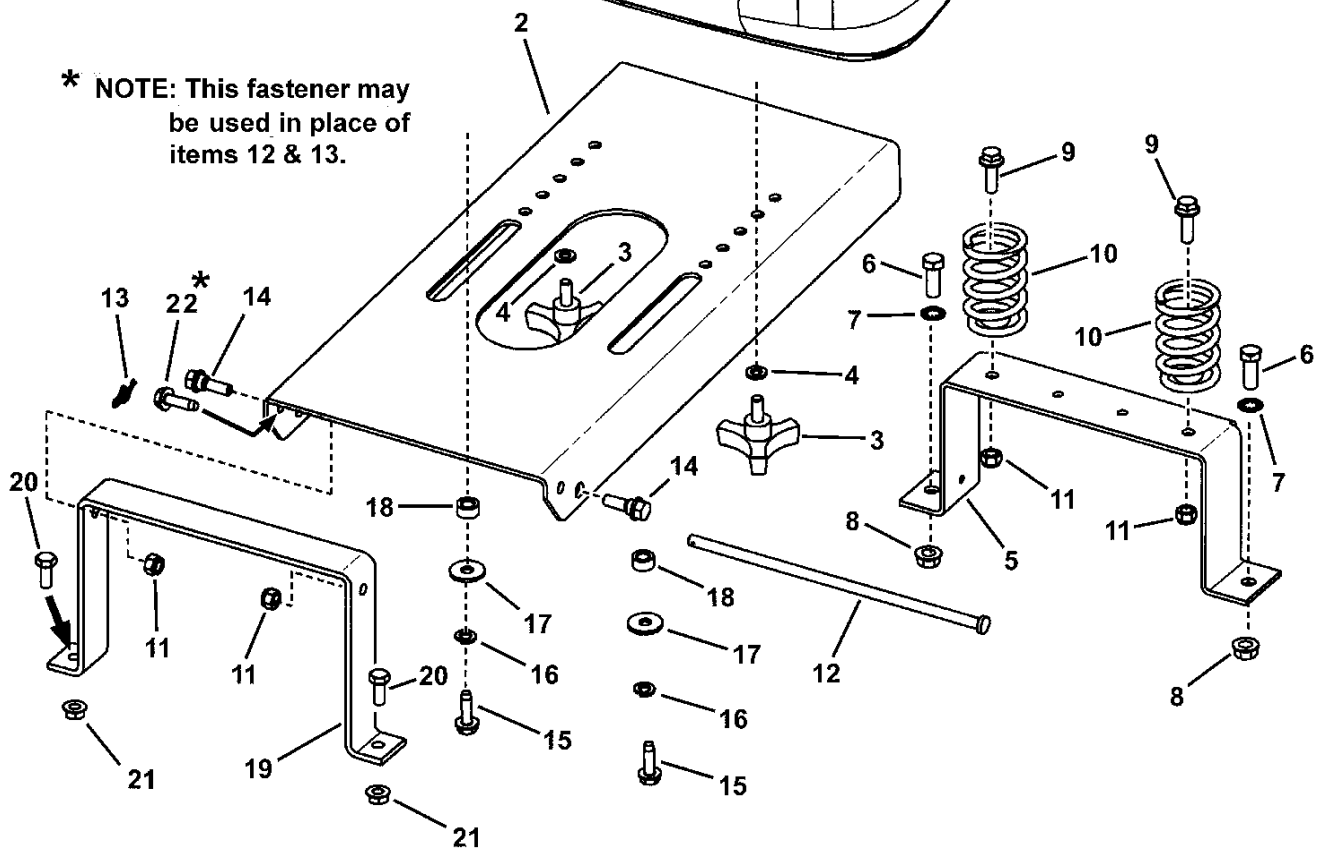
Item	Part No	Qty	Description	Note
1	7100007	1	FENDER, LH RZT	
2	7100006	1	FENDER, RH RZT	
3	7091811	4	BOLT, 5/16-18 x 5/8" Hex Flange Lock, GR 5	
4	7011791	4	BOLT RETAINER, 5/16" Black	
5	7090951	4	NUT, 5/16-18 Hex Large Flange Center Lock	
6	7300178	1	COVER, Front, Snapper	
7	7091819	2	SCREW, 1/4-20 x 5/8" Hex Washer Self-Tap, YZ	
8	7300112	1	PANEL, Control	
9	7090999	5	SCREW, 1/4-20 x 5/8" Pan Head Self-Tap (Torx)	
10	7023295	3	U-NUT 1/4-20	
11	7300283	1	BRACKET, RH Fender Support (Cardinal Red)	
12	7091905	2	BOLT, 5/16-18 x 7/8" Hex Flange Lock, YZ	
13	7091601	2	NUT, 5/16-18 Hex Flange Lock, GR 5	
14	7100112	1	COVER, Engine, Double Vent	
15	7091890	2	WASHER, 1/4" Internal/External Tooth Lock	
16	7100825	2	3-PRONG KNOB, 1/4-20 x 1/2"	was 7023341
17	7100012	1	GUARD, Rear Seat	
18	7900023	2	SCREW, 1/4-15 x 1-1/4" Hex Washer Self-Tap	

### Footnotes:

# SEAT GROUP



\* NOTE: This fastener may be used in place of items 12 & 13.



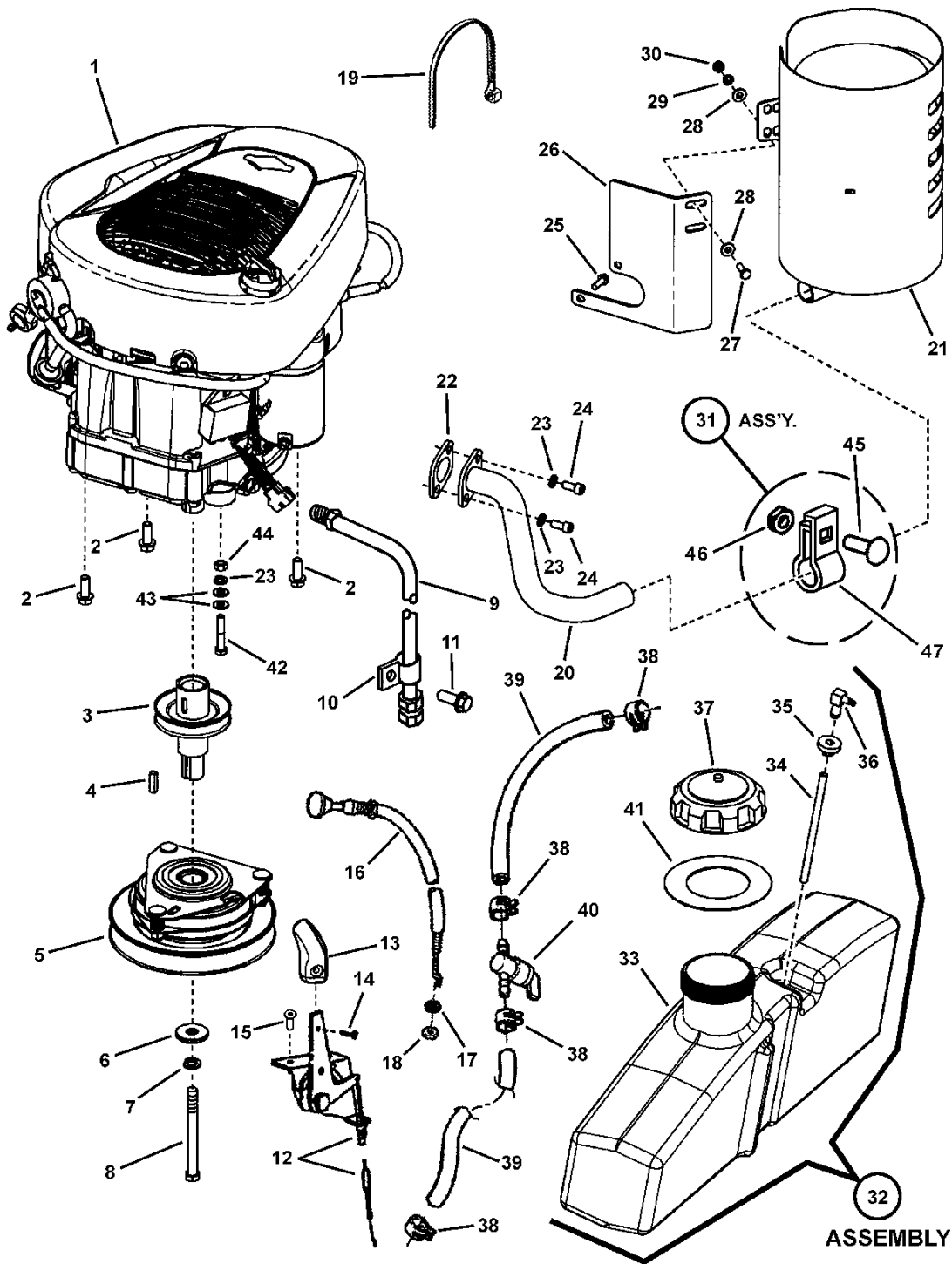


## SEAT GROUP

Item	Part No	Qty	Description	Note
1	7100005	1	ASSEMBLY, 15" Seat, w/Armrests	<i>Ref. Michigan Seat Co.</i>
2	7300057	1	SEAT PLATE	
3	7023191	2	KNOB, Three Prong, 5/16-18 thread	
4	7090187	2	WASHER, 5/16" Split Lock	
5	7043316	1	BRACKET, Seat Support	
6	7091304	2	SCREW, 3/8-16 x 1" Hex Head Cap, GR 5, YZ	
7	7090390	2	WASHER, 3/8" Internal Tooth Lock	
8	7091619	2	NUT, 3/8-16 Hex Flange Lock	
9	7091591	2	BOLT, 5/16-18 x 1" Hex Flange Lock, GR 5, YZ	
10	7074218	2	SPRING, Compression- Seat Support	
11	7091298	4	NUT, 5/16-18 Hex Nyloc	
12	7200008	1	ROD, Seat Hinge	
13	7024159	1	COTTER PIN, 3/8" Self-Locking	
14	7011078	2	SHOULDER BOLT, 5/16-18 x 1"	<i>.220 long shoulder</i>
15	7091742	2	SCREW, 5/16-18 x 1" Hex Washer Self-Tap, GR 5	
16	7091315	2	WASHER, 5/16" Split Lock	
17	7014098	2	WASHER, .34 x 1.0 x .09 Flat	
18	7028620	2	SPACER, .340 I.D. x .63 O.D. x .310 Thick	
19	7043308	1	BRACKET, Lower Seat	
20	7091318	2	SCREW, 5/16-18 x 3/4" Hex Head Cap, GR 5, YZ	
21	7091601	2	NUT, 5/16-18 Hex Flange Lock, GR 5	
22	7091198	1	HWST, 3/8-16 X5/8 (See image note about 12 & 13)	

### Footnotes:

**ENGINE GROUP (18.5 HP Briggs)**



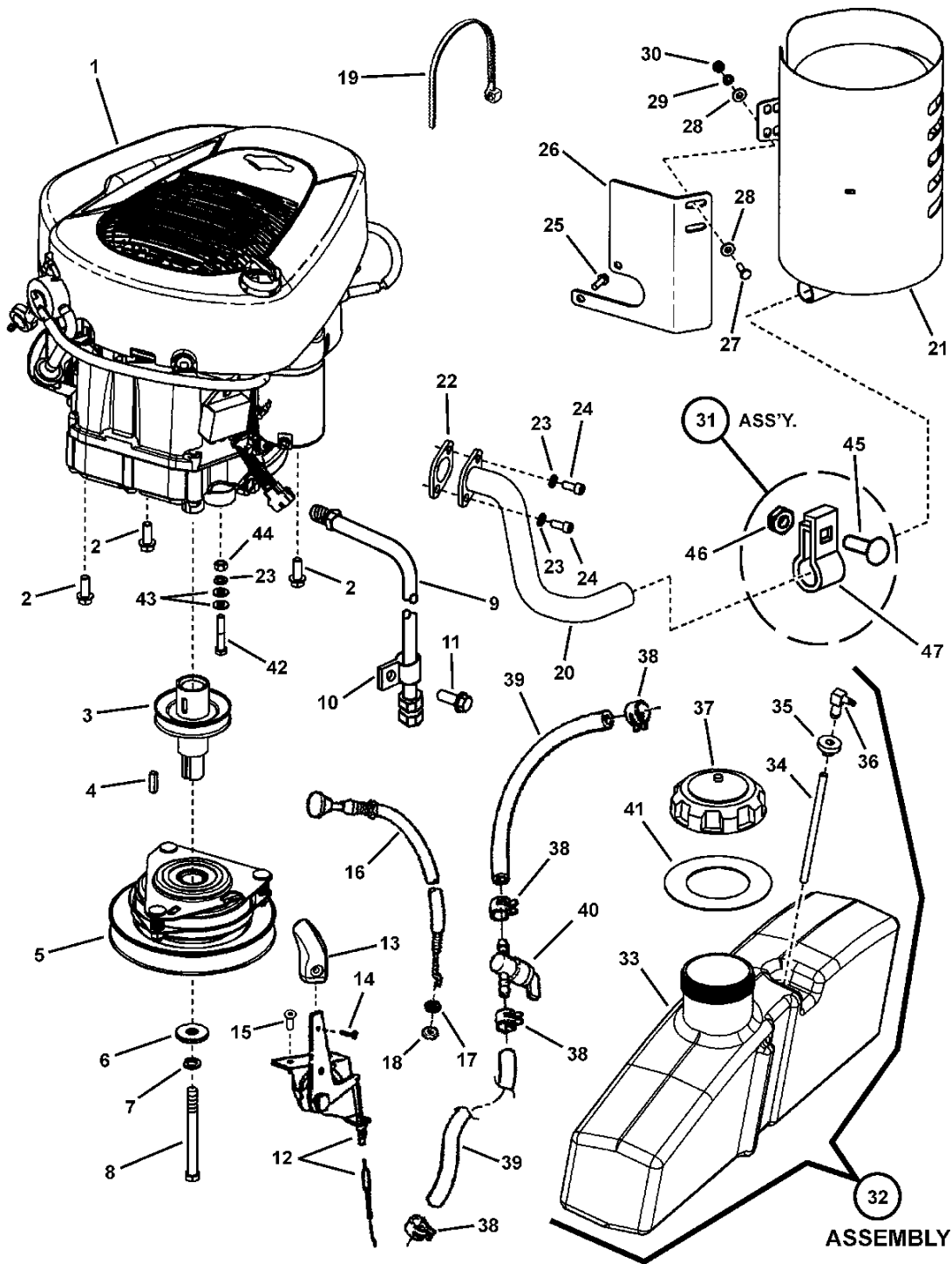
## ENGINE GROUP (18.5 HP Briggs)

Item	Part No	Qty	Description	Note
1	1730219	1	* ENGINE, 18.5 HP Briggs, Intek	Model 31P777 0121 B1
2	7090324	4	SCREW, 3/8-16 x 1" Hex Washer Self-Tap	
3	7043343	1	ASSEMBLY, Engine Pulley	
4	7013250	1	KEY, 1/4 Square x 1"	
5	1717664	1	CLUTCH, Ogura JD-11	
6	7029138	1	WASHER, .468 ID x 1.50 OD x .188 Flat	
7	7091301	1	WASHER, 7/16" Split Lock	
8	7092130	1	SCREW, 7/16-20 x 4-1/2" Hex Head Cap, GR 5	
9	1726498	1	HOSE, Oil Drain	
10	7900020	1	HARNES CLIP, 5/8"	
11	7091867	1	SCREW, 5/16-18 x 5/8" Hex Washer Self-Tap, GR 2	
12	7028564	1	CABLE, 26.25" Throttle Control	
13	7100529	1	KNOB, Throttle, Red RZT	
14	7091195	1	SCREW, #10-16 x 3/4" Pan Head Self-Tap	
15	7090999	2	SCREW, 1/4-20 x 5/8" Pan Head Self-Tap (Torx)	
16	7100797	1	CABLE, 30" Choke Control	
17	7090390	1	WASHER, 3/8" Internal Tooth Lock	
18	7090155	1	NUT, 3/8-24 Hex, GR B	
19	7012080	3	CABLE TIE, 7"	
20	7100101	1	MANIFOLD, 18 HP B&S Intek	
21	7100160	1	MUFFLER, RZT	
22	7015352	1	GASKET, Exhaust	
23	7091315	3	WASHER, 5/16" Split Lock	
24	7091738	2	SET SCREW, 5/16-18 x 3/4" Socket Head, GR 8	
25	7090290	2	SCREW, 1/4-20 x 3/4" Hex Washer Self-Tap	
26	7300237	1	BRACKET, Muffler 18HP Briggs	
27	7091495	1	SCREW, 1/4-20 x 3/4" Hex Head Cap, GR 5	
28	7091294	2	WASHER, .28 x .63 x .06 Flat, GR 5	
29	7090052	1	WASHER, 1/4" Split Lock	
30	7091576	1	NUT, 1/4-20 Hex, GR 5 or B	
31	7078234	1	ASSEMBLY, Clamp	B&S P/N's 223434, 93877 & 93203
32	7500077	1	ASSEMBLY, Fuel Tank, RZT	includes items 33 thru 37
33	7100037	1	FUEL TANK, 3 Gal.	
34	7100283	1	DIP TUBE	
35	7012337	1	GROMMET	
36	7075288	1	ELBOW, 90 Degree	
37	1715917	1	CAP, Fuel, 3-1/2"	

### Footnotes:

NOTE: \* Purchase engine parts from engine manufacturer dealer.

**ENGINE GROUP (18.5 HP Briggs)**



## **ENGINE GROUP (18.5 HP Briggs)**

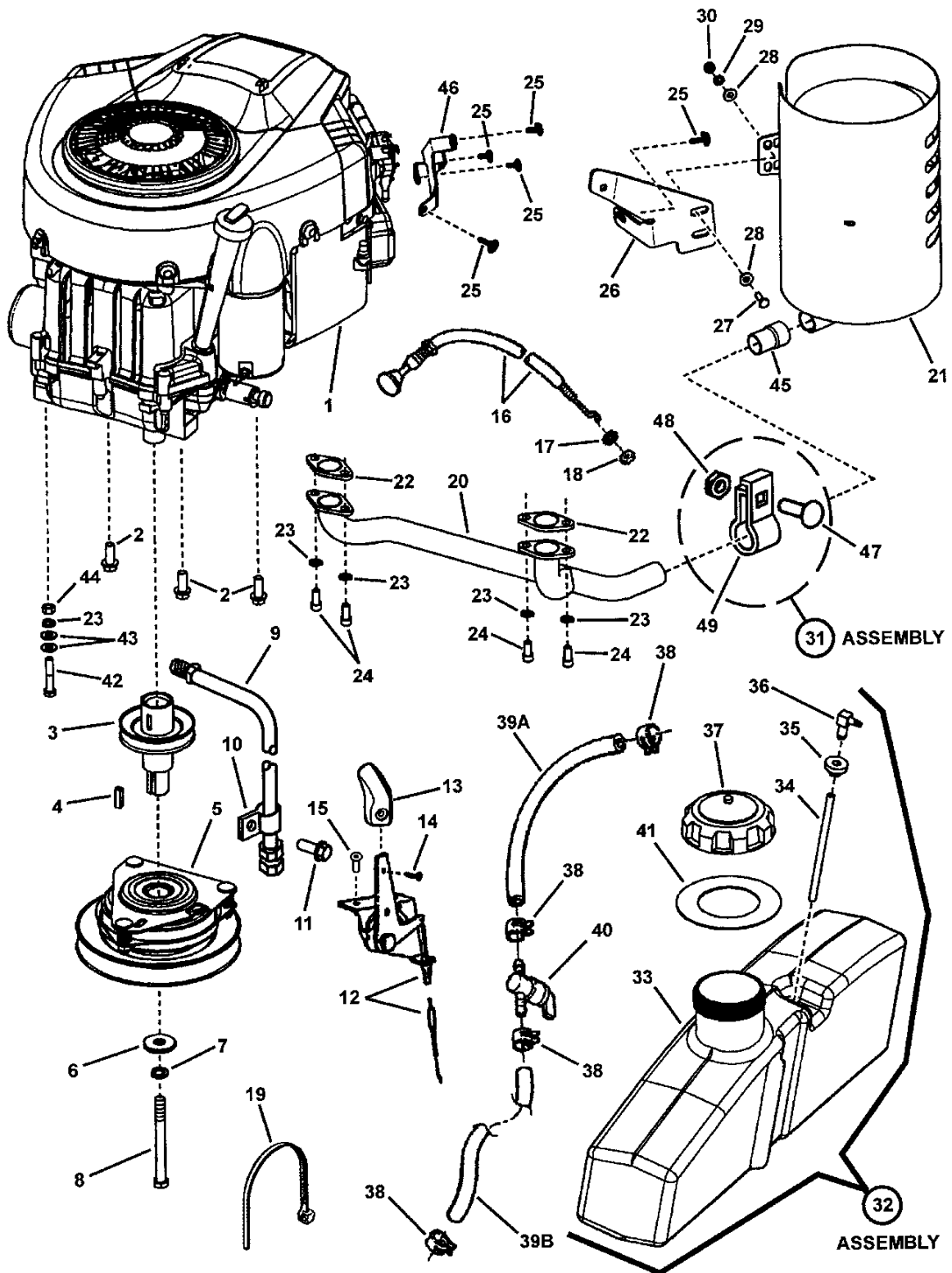
---

<b>Item</b>	<b>Part No</b>	<b>Qty</b>	<b>Description</b>	<b>Note</b>
38	7012222	4	CLAMP, Fuel Line	
39	7073240	2	HOSE, Fuel, 5"	
40	7016325	1	VALVE, Fuel Shut-Off	
41	7100312	1	SEAL, Tank	
42	7091908	1	SCREW, 5/16-18 x 1-3/4" Hex Head Cap, GR 5, YZ	
43	7090188	2	WASHER, .34 x .69 x .08 Flat	
44	7091511	1	NUT, 5/16-18 Hex, GR 5 or B	
45	7091928	1	BOLT, 5/16-18 x 1-1/4" Square Neck Carriage	
46	7091601	2	NUT, 5/16-18 Hex Flange Lock, GR 5	
47	7100666	1	CLAMP, Muffler	<i>B&amp;S part # 222825</i>

### **Footnotes:**

NOTE: \* Purchase engine parts from engine manufacturer dealer.

**ENGINE GROUP (20 HP Briggs)**



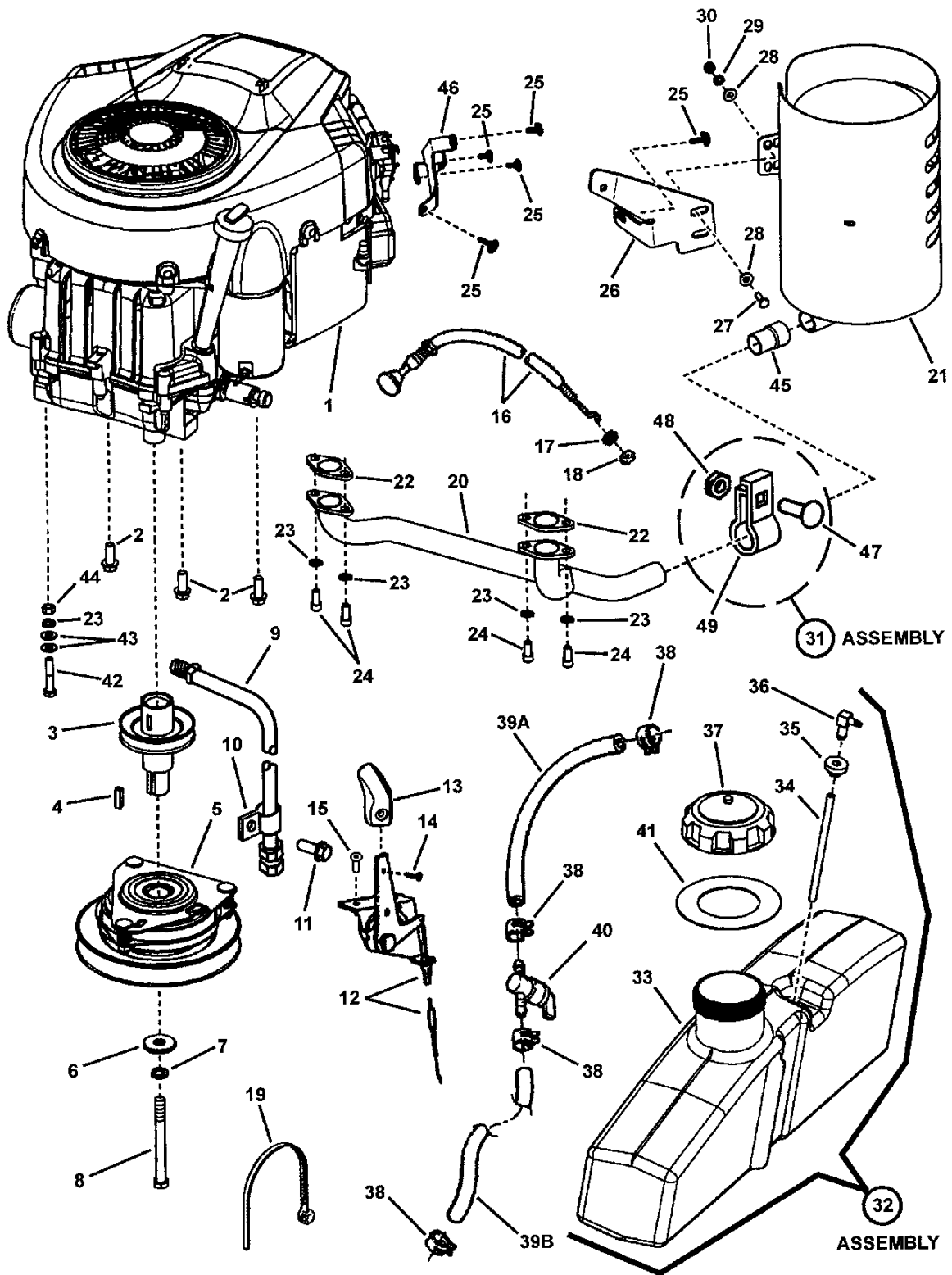
## ENGINE GROUP (20 HP Briggs)

Item	Part No	Qty	Description	Note
1	1729722	1	* ENGINE, 20 HP Briggs Intek Twin	<i>Model 441577 0118 B1</i>
2	7090324	4	SCREW, 3/8-16 x 1" Hex Washer Self-Tap	
3	7043343	1	ASSEMBLY, Engine Pulley	
4	7013250	1	KEY, 1/4 Square x 1"	
5	1717664	1	CLUTCH, Ogura JD-11	
6	7029138	1	WASHER, .468 ID x 1.50 OD x .188 Flat	
7	7091301	1	WASHER, 7/16" Split Lock	
8	7092130	1	SCREW, 7/16-20 x 4-1/2" Hex Head Cap, GR 5	
9	1726498	1	HOSE, Oil Drain	
10	7900020	1	HARNES CLIP, 5/8"	
11	7091867	1	SCREW, 5/16-18 x 5/8" Hex Washer Self-Tap, GR 2	
12	7075449	1	CABLE, 48" Throttle Control	<i>B&amp;S 16HP Single Intek</i>
13	7100529	1	KNOB, Throttle, Red RZT	
14	7091195	1	SCREW, #10-16 x 3/4" Pan Head Self-Tap	
15	7090999	2	SCREW, 1/4-20 x 5/8" Pan Head Self-Tap (Torx)	
16	7100416	1	CABLE, 54" Choke Control	
17	7090390	1	WASHER, 3/8" Internal Tooth Lock	
18	7090155	1	NUT, 3/8-24 Hex, GR B	
19	7012080	3	CABLE TIE, 7"	
20	7078122	1	MANIFOLD, B&S V-Twin Intek	
21	7100160	1	MUFFLER, RZT	
22	7063283	2	GASKET, Exhaust, 20 HP Intek	
23	7091315	5	WASHER, 5/16" Split Lock	
24	7091738	4	SET SCREW, 5/16-18 x 3/4" Socket Head, GR 8	
25	7091906	5	SCREW, 1/4-20 x 3/4" Hex Head Flange, GR 5, YZ	
26	7300238	1	BRACKET, Muffler 20/22HP Briggs	
27	7091495	1	SCREW, 1/4-20 x 3/4" Hex Head Cap, GR 5	
28	7091294	2	WASHER, .28 x .63 x .06 Flat, GR 5	
29	7090052	1	WASHER, 1/4" Split Lock	
30	7091576	1	NUT, 1/4-20 Hex, GR 5 or B	
31	7078234	1	ASSEMBLY, Clamp	<i>B&amp;S P/N's 223434, 93877 &amp; 93203</i>
32	7500077	1	ASSEMBLY, Fuel Tank, RZT	<i>includes items 33 thru 37</i>
33	7100037	1	FUEL TANK	
34	7100283	1	DIP TUBE	
35	7012337	1	GROMMET	
36	7075288	1	ELBOW, 90 Degree	
37	1715917	1	CAP, Fuel, 3-1/2"	

### Footnotes:

NOTE: \* Purchase engine parts from engine manufacturer dealer.

**ENGINE GROUP (20 HP Briggs)**





## **ENGINE GROUP (20 HP Briggs)**

---

<b>Item</b>	<b>Part No</b>	<b>Qty</b>	<b>Description</b>	<b>Note</b>
38	7012222	4	CLAMP, Fuel Line	
39A	7073240	1	HOSE, Fuel, .25 I.D. x 5" long	
39B	7029982	1	HOSE, Fuel, .25 I.D. x 14" long	
40	7016325	1	VALVE, Fuel Shut-Off	
41	7100312	1	SEAL, Tank	
42	7091908	1	SCREW, 5/16-18 x 1-3/4" Hex Head Cap, GR 5, YZ	
43	7090188	2	WASHER, .34 x .69 x .08 Flat	
44	7091511	1	NUT, 5/16-18 Hex, GR 5 or B	
45	7200055	1	TUBE, Manifold Extension	
46	225477	1	Bracket, Fuel Pump	<i>Briggs part</i>
47	7091928	1	BOLT, 5/16-18 x 1-1/4" Square Neck Carriage	
48	7091601	2	NUT, 5/16-18 Hex Flange Lock, GR 5	
49	7100666	1	CLAMP, Muffler	<i>B&amp;S part # 222825</i>

### **Footnotes:**

NOTE: \* Purchase engine parts from engine manufacturer dealer.

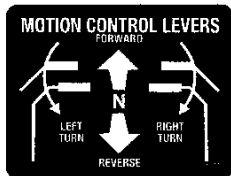


**WARNING**

**AVOID SERIOUS INJURY OR DEATH**

- Read operator's manual and other instructional material provided.
- Know location and function of all controls.
- Do not operate machine unless you are fully trained.
- Never start blades unless properly seated on machine.
- Keep safety devices, (guards, shield and switches), in place and working.
- Remove objects that can be thrown by the blades.
- Do not move motion controls rapidly. Avoid sudden turns.
- Do not operate blades in reverse.
- Look down and behind before and during reverse movement.
- Do not mow in any area where stability and traction is in doubt. Do not mow on slopes steeper than 15 degrees.
- Reduce speed on slopes. Go forward down slopes. Go reverse up slopes. Never travel across slopes.
- Avoid uphill starts. If machine stops going uphill, stop blades and back down slowly.
- Do not mow when children or others are around. Never carry children during operation even with blades off.
- Stop engine and be sure all moving parts are stationary before placing hands and feet near blades or servicing machine.

7106131



**ROLL RELEASE RODS ARE LOCATED UNDER THE FRAME**

**MAKE SURE ENGINE IS OFF!**

TO ROLL	TO DRIVE
Push rods in and move to side	Move rods inward and pull back

7102041

**WARNING**

**GUARD OR ENTIRE GRASS CATCHER MUST BE INSTALLED BEFORE OPERATING MOWER**

45723

**DANGER**

**KEEP HANDS and FEET AWAY**

7102041



**250Z**

**18.5HP**

7106451

**250Z**

**20HP**

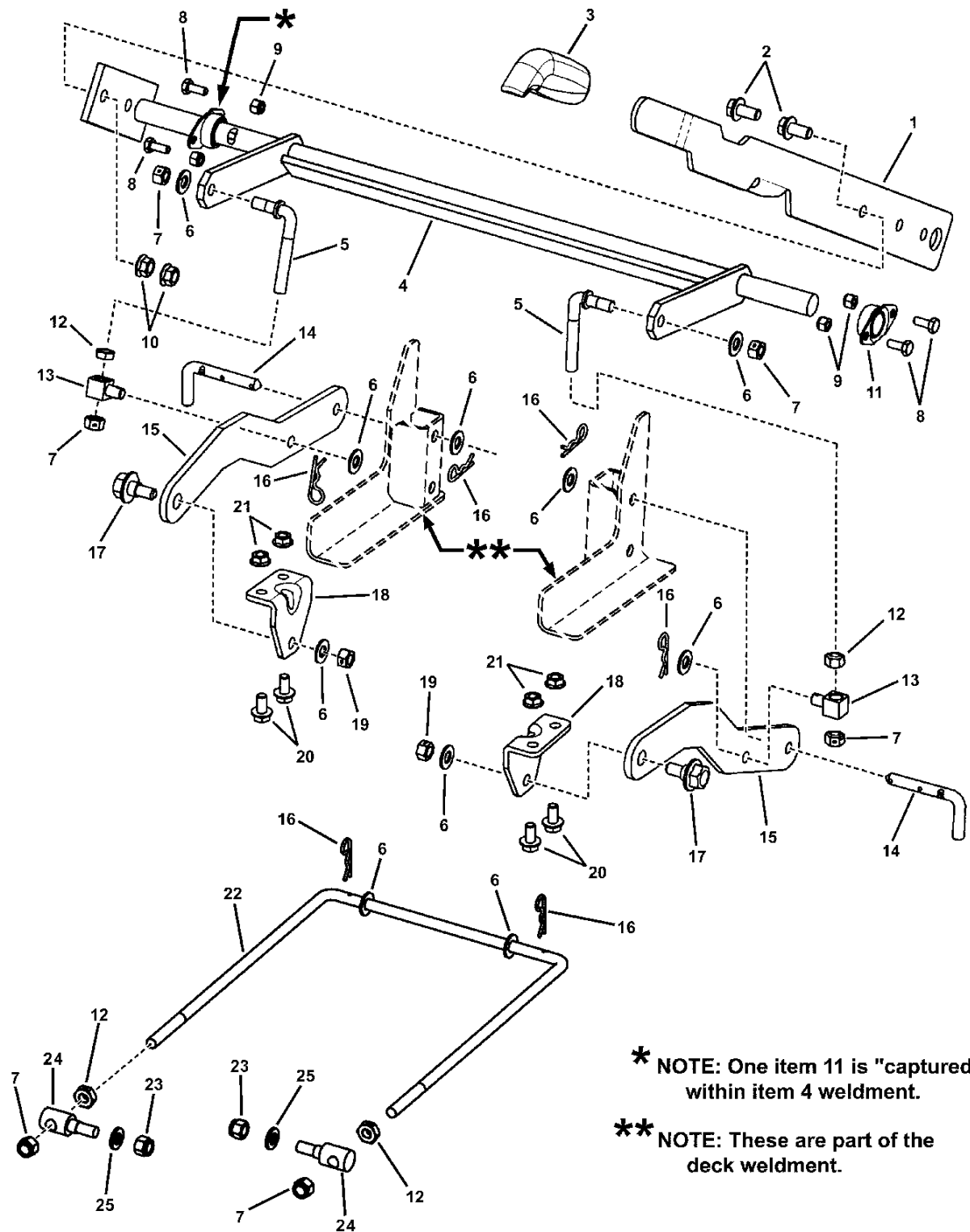
7109021

## DECAL GROUP

Item	Part No	Qty	Description	Note
1	7100467	1	DECAL, Ignition, RZT	
2	7100335	1	DECAL, Snapper Fender, RH	
3	7100334	1	DECAL, Snapper Fender, LH	
4	7100505	1	DECAL, Snapper	
5	7100413	1	DECAL, Throttle Control, RZT	
6	7100331	1	DECAL, Warning, Operation	
7	7100340	1	DECAL, Height Of Cut, RZT	
8	7100333	1	DECAL, Motion Control, RZT	
9	7100332	1	DECAL, Park Brake, RZT	
10	7100341	1	DECAL, Roll Release, RZT	
11	7046720	1	DECAL, Chute/Deflector	
12	7013010	2	DECAL, Danger, (Cut Finger)	
13	7100420	1	DECAL, 250 Z 18.5HP RZT	
14	7100421	1	DECAL, 250 Z 20HP RZT	
15	7026154	1	DECAL, 38 Inch	
16	7024910	1	DECAL - 42 INCH	
17		1	DECAL, OPEI Walk/Ride	<i>not shown, not a service part</i>

### Footnotes:

**DECK LIFT GROUP (38/42)**

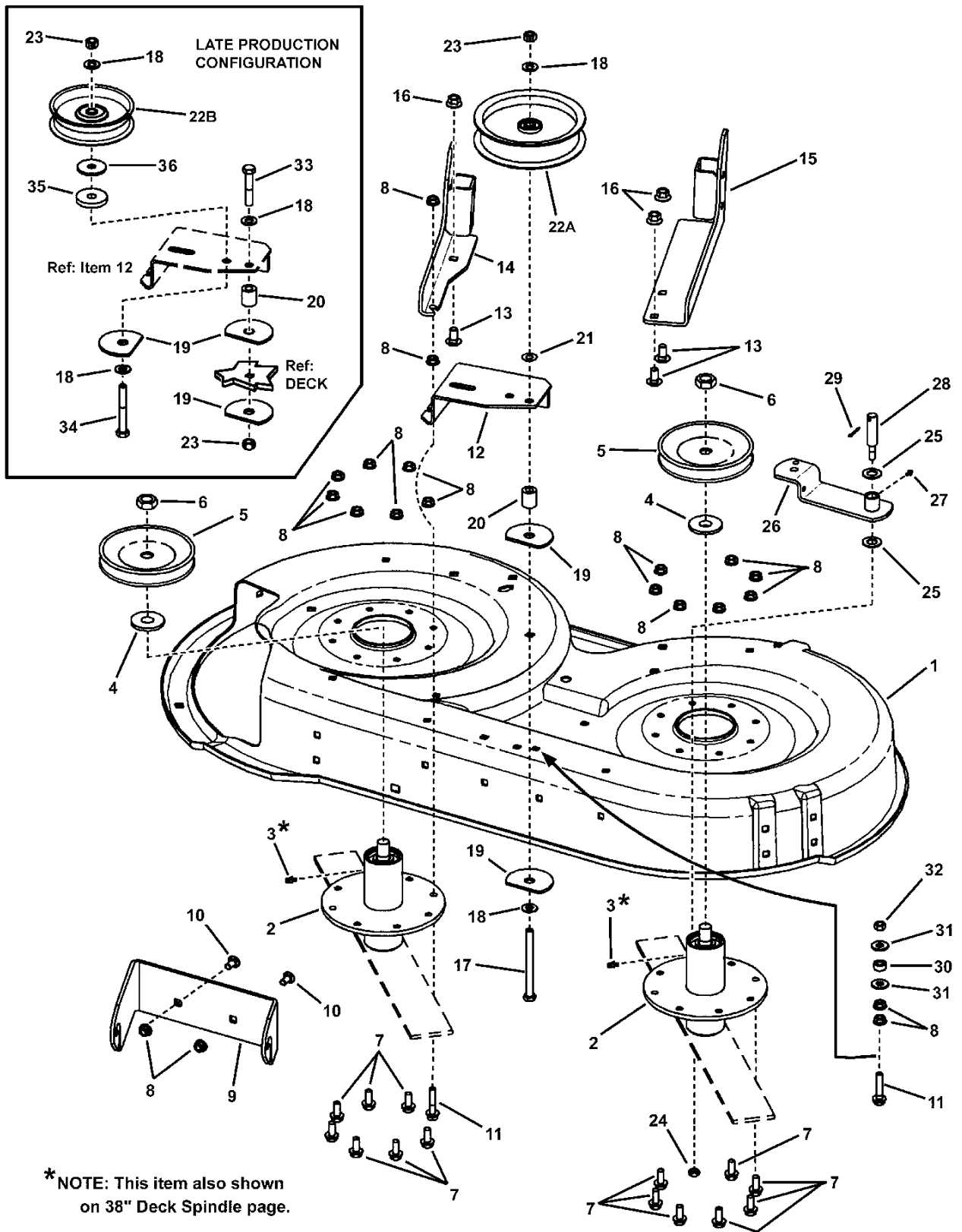


## DECK LIFT GROUP (38/42)

Item	Part No	Qty	Description	Note
1	7300037	1	HANDLE, Deck Lift	
2	7091588	2	BOLT, 3/8-16 x 3/4" Hex Flange Lock, GR 5, YZ	
3	1722302	1	HANDLE GRIP, Black Flexible (Simplicity)	
4	7400011	1	WELDMENT, Deck Lift, 38/42	
5	7100210	2	LINK, Leveling, 3/8-16 thread (2)	
6	7090122	8	WASHER, 3/8" Flat SAE	
7	7091585	8	NUT, 3/8-16 Hex Center Lock, GR 5 or B, YZ	
8	7027172	4	SCREW, 1/4-20 x 5/8" Hex Head Cap. GR 5	
9	7091603	4	NUT, 1/4-20 Hex Nyloc	
10	7091619	2	NUT, 3/8-16 Hex Flange Lock	
11	7026196	1	FLANGE BEARING, 3/4" I.D.	<i>powdered metal</i>
12	7091658	6	JAM NUT, 3/8-16, YZ	
13	7028037	2	SWIVEL, Inline Brake Arm	
14	7100125	2	PIN, Quick Hitch	
15	7300024	2	BAR, Rear Lift, 38/42	
16	7091503	4	HAIR PIN, 3/32 x 1-1/2"	
17	7014981	2	SHOULDER BOLT, 3/8-24, GR 8	<i>.285" long shoulder</i>
18	7300028	2	BRACKET, Deck Hanger	
19	7090289	2	NUT, 3/8-24 Hex Center Lock	
20	7091811	4	BOLT, 5/16-18 x 5/8" Hex Flange Lock, GR 5	
21	7091601	4	NUT, 5/16-18 Hex Flange Lock, GR 5	
22	7200019	1	ROD, Deck Hanger Front 38/42	
23	7091299	2	NUT, 3/8-16 Hex Nyloc	
24	7200028	2	SWIVEL, 3/8-16 Inline	
25	7032030	2	WASHER, 13/32 x 1-1/4" Flat	

### Footnotes:

# 38" DECK GROUP (Sub-Assembly)



### 38" DECK GROUP (Sub-Assembly)

Item	Part No	Qty	Description	Note
1	7300271	1	DECK, 38 RZT (Cardinal Red)	<i>was 7300160 (Raw 38" Deck)</i>
2	7059377	2	ASSEMBLY, 38" Spindle	
3	7010817	1	FITTING, Lube, Press-In (for .187 dia. Hole)	
4	7072440	2	SPACER, 38 Spindle Pulley	
5	7100278	2	PULLEY, 5.0 O. D.	
6	7090658	2	NUT, 5/8-18 Hex Jam	
7	7090595	14	BOLT, 5/16-18 x 3/4" Hex Flange Lock	
8	7091601	19	NUT, 5/16-18 Hex Flange Lock, GR 5	
9	7300031	1	BRACKET, Front, 38" RZT	
10	7091026	2	BOLT, 5/16-18 x 3/4" Short Square Neck Carriage, GR 5	
11	7091602	2	BOLT, 5/16-18 x 1-1/2" Hex Flange Lock, GR 5	
12	7400090	1	WELDMENT, Idler Bracket	
13	7090850	3	BOLT, 3/8-16 x 3/4" Short Square Neck Carriage, GR 5	<i>or 7091640 (3/8-16 x 1" Carriage Bolt)</i>
14	7400060	1	WELDMENT, 38" Deck Support, RH	
15	7400061	1	WELDMENT, 38" Deck Support, LH	
16	7090613	3	NUT, 3/8-16 Hex Flange Lock	
17	7079832	1	SCREW, 3/8-16 x 1" Hex Head Cap, GR 5	
18	7090122	3	WASHER, 3/8" Flat SAE	
19	7091775	3	WASHER, Special	
20	7200039	1	SPACER, .380 I. D. x .895 long	
21	7013847	1	RETAINER, 3/8" Bolt	
22A	7034422	1	PULLEY, Flat Idler 5" x .375	
22B	7100448	1	PULLEY, Flat Idler 4" x 1.24	
23	7091585	2	NUT, 3/8-16 Hex Center Lock, GR 5 or B, YZ	
24	7011201	1	NUT, 3/8-24 Hex Center lock	
25	7025074	2	WASHER, .531 x 1.0 x .063 Flat	
26	7400082	1	WELDMENT, Idler Arm, 38" RZT	
27	7014871	1	LUBE FITTING, 3/16"	
28	7042964	1	IDLER STUD (5/16-24 thread)	
29	7090037	1	COTTER PIN, 3/32 x 3/4"	
30	7028620	1	SPACER, .340 I.D. x .63 O.D. x .310 Thick	
31	7091528	2	WASHER, 3/8" Flat	
32	7091575	1	NUT, 5/16-18 Hex Center Lock, GR 5 or B, YZ	
33	7091305	1	SCREW, 3/8-16 x 2" Hex Head Cap, GR 5	
34	7091557	1	SCREW, 3/8-16 x 2-3/4" Hex Head Cap, GR 5	
35	7091962	1	WASHER, 7/16" I.D. x 1-5/8" O.D. x .25 Flat	
36	7091331	1	WASHER, 3/8" I.D. x 1-1/2" O.D. x .120 Flat	

#### Footnotes:



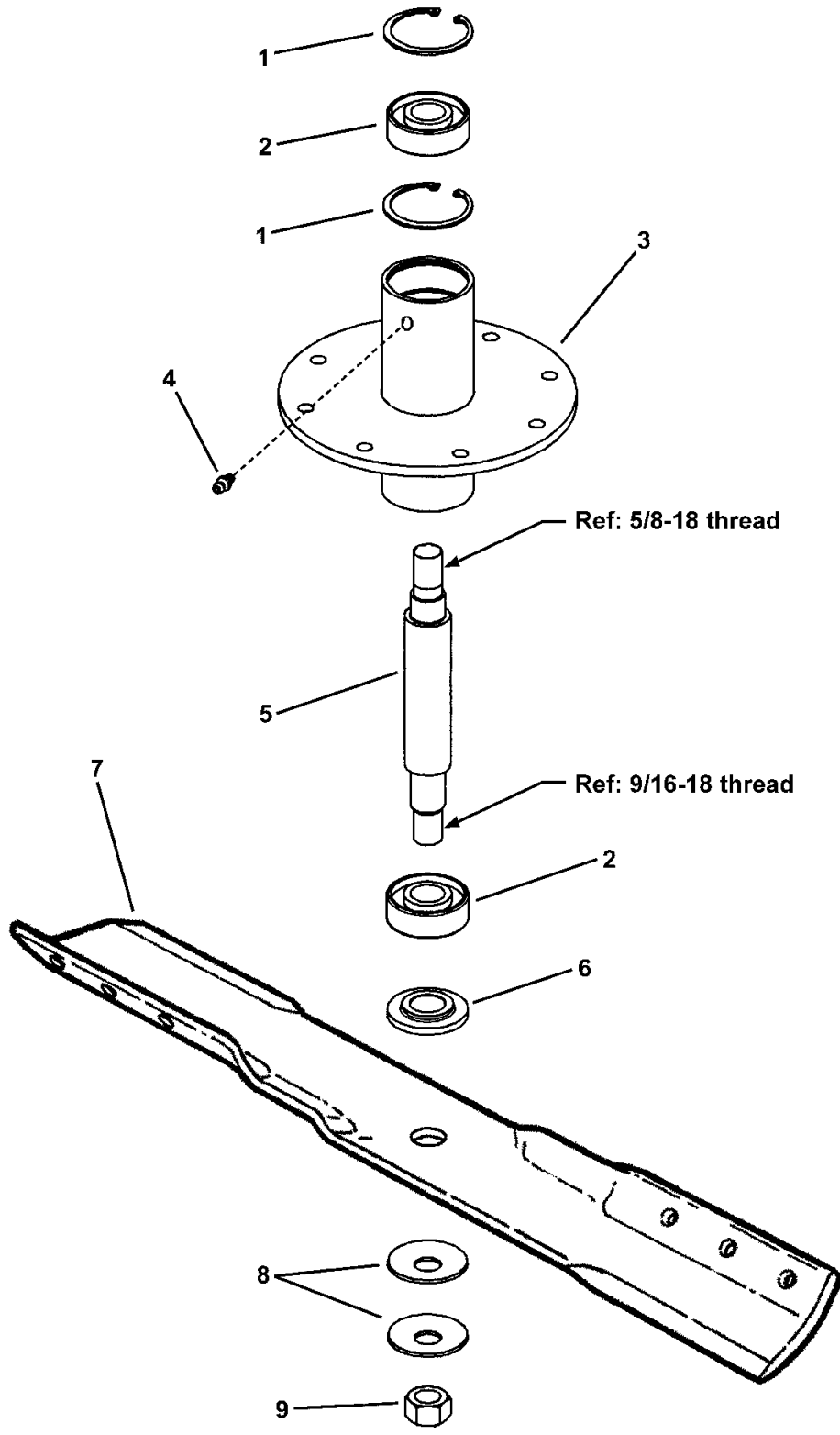


### 38" DECK GROUP (Final Assembly)

Item	Part No	Qty	Description	Note
1	7029425	1	DISCHARGE CHUTE, 38" Deck	
2	7035503	1	ROD, Mounting, Side Discharge (3/8-16 thread)	
3	7091585	2	NUT, 3/8-16 Hex Center Lock, GR 5 or B, YZ	
4	7035813	1	SPRING, Torsion-Side Discharge-38 Deck	
5	7035502	1	ROD, Pivot, Side Discharge, 38 Deck	
6	7091575	1	NUT, 5/16-18 Hex Center Lock, GR 5 or B, YZ	
7	7091508	1	BOLT, 5/16-18 x 3/4" Short Neck Carriage, GR 5	
8	7091833	1	SCREW, 5/16-18 x 5/8" Cross Recessed Pan Head	
9	7090188	1	WASHER, .34 x .69 x .08 Flat	
10	7036543	1	TEENUT, 5/16-18 Thread	
11	7091305	1	SCREW, 3/8-16 x 2" Hex Head Cap, GR 5, YZ	
12	7090122	8	WASHER, 3/8" Flat SAE	
13	7034422	1	PULLEY, Flat Idler, 5" Dia.	<i>replaces 7072319 (PULLEY, Flat Idler, 3-1/4" Dia.)</i>
14	7035969	1	SPRING, Extension, 1.03 Dia. x 6.8 Long	
15	7033891	1	GAGE WHEEL BRACKET, LH Rear	
16	7091026	9	BOLT, 5/16-18 x 3/4" Short Square Neck Carriage, GR 5	
17	7091601	9	NUT, 5/16-18 Hex Flange Lock, GR 5	
18	2108765	3	SHOULDER BOLT, 3/8-16 x 5/8" GR 5 YZ	<i>replaces 7091526 (Shoulder Bolt, 3/8-24 thread)</i>
19	1714760	3	GAGE WHEEL 4 x 1-7/8" Offset	<i>replaces 7026122 (Wheel, 1-1/2" offset)</i>
20	7091585	3	NUT, 3/8-16 Hex Center Lock	<i>replaces 7090289 (Hex Center Lock Nut, 3/8-24)</i>
21	7300269	1	BRACKET, Front Gage Wheel (Cardinal Red)	<i>was 7033756 (raw part)</i>
22	7300243	1	BRACKET, Right Front Gage Wheel (Cardinal Red)	<i>was 7035494 (raw part)</i>
23	7100691	1	BELT, A Section, Effective Length 114"	<i>replaces 1718017</i>

#### Footnotes:

**38" DECK SPINDLE**



## 38" DECK SPINDLE

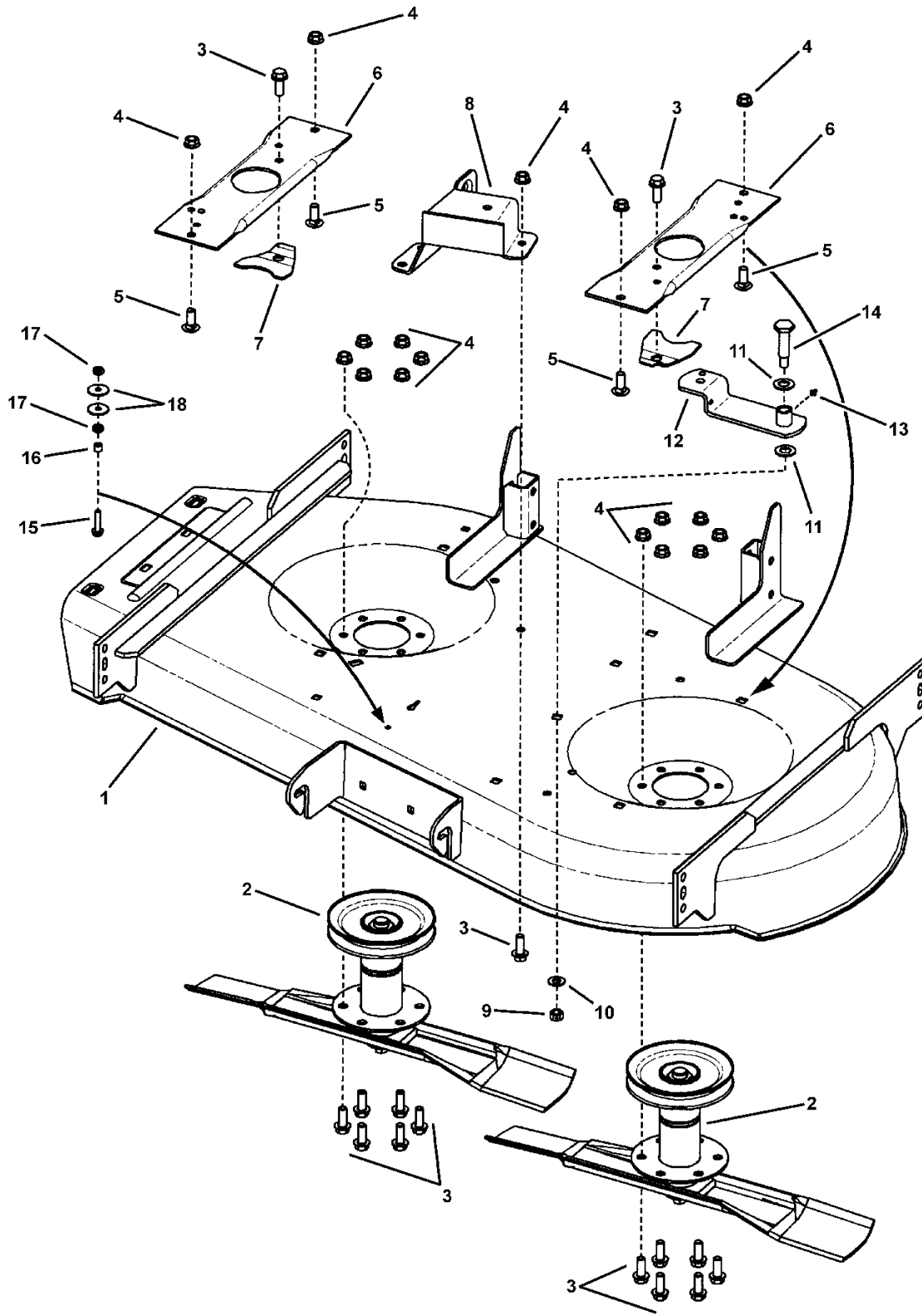
---

Item	Part No	Qty	Description	Note
1	7012491	2	* RING, 1-3/4" External Retaining Ring	
2	7013313	2	* BALL BEARING, 3/4" I.D.	
3	7059378	1	* WELDMENT, 38 Spindle Housing	
4	7010817	1	* FITTING, Lube, Press-In (for .187 dia. Hole)	
5	7072537	1	* SHAFT, Spindle (7.155" long)	
6	7072109	1	* WASHER, Spindle Blade	
7	7042998	1	* BLADE, 19.64 (38" Deck)	
8	7024467	2	* WASHER, Bellville 9/16 x 1-3/4"	
9	7091633	1	* NUT, 9/16-18 Hex, GR B	

### Footnotes:

NOTE: \* These parts make up 7059377, Spindle Assembly.

# 42" DECK GROUP (Sub-Assembly)

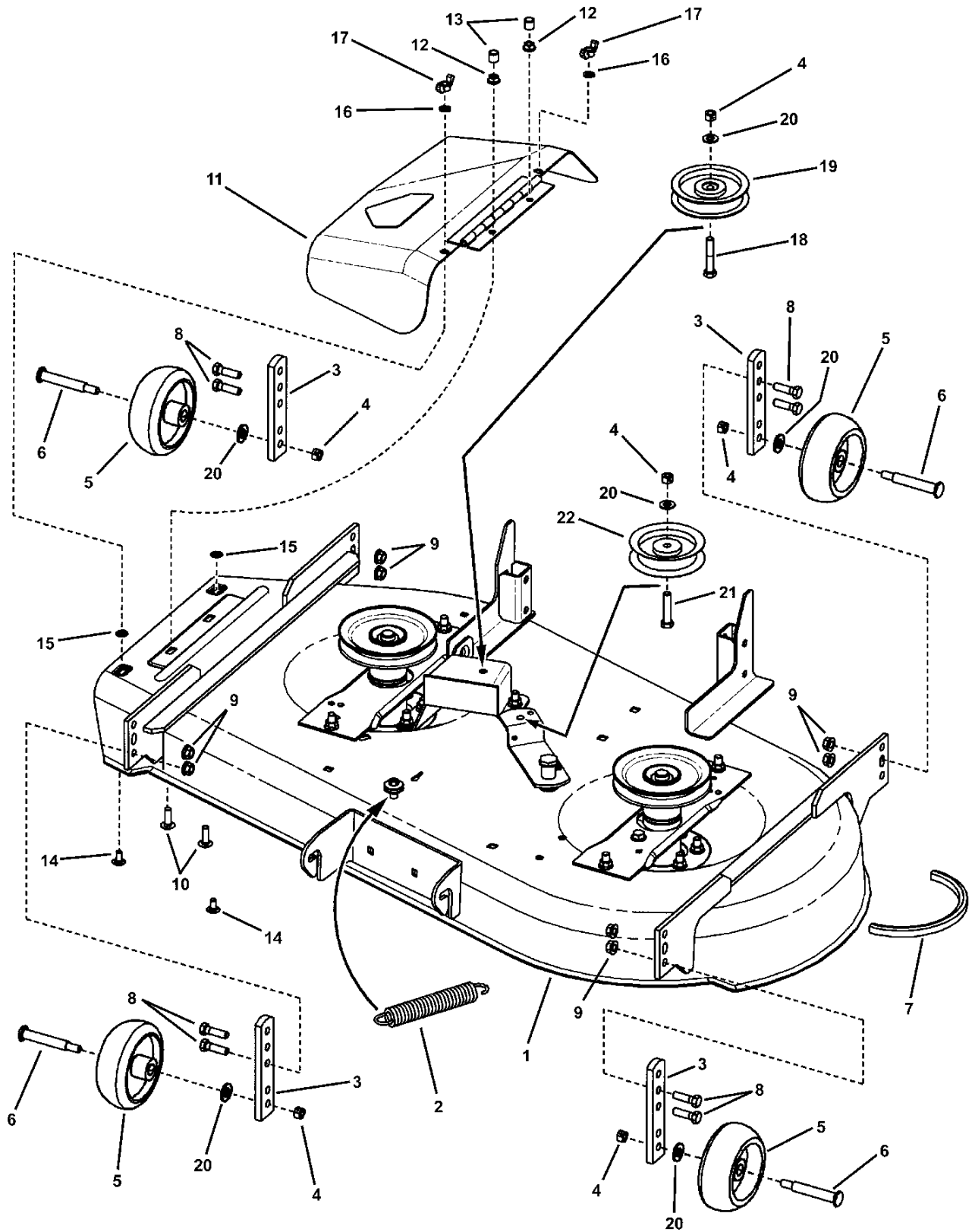


## 42" DECK GROUP (Sub-Assembly)

Item	Part No	Qty	Description	Note
	7500021	1	SUB-ASSY, 42" Deck w/Spindles	<i>includes 18 items below</i>
1	7400009	1	WELDMENT, 42" Deck	
2	7059723	2	ASSEMBLY, Spindle Brake	<i>see 42" Deck Spindle pages</i>
3	7027198	15	BOLT, 3/8-16 x 1" Hex Flange Lock, GR 5	
4	7091619	17	NUT, 3/8-16 Hex Flange Lock	
5	7091640	4	BOLT, 3/8-16 x 1" Square Neck Carriage, GR 5, YZ	
6	7033366	2	SPINDLE BRACE	
7	7051747	2	ASSEMBLY, Spindle Lock	<i>w/strux nut</i>
8	7044651	1	WELDMENT, Stationary Idler 42"	
9	7090289	1	NUT, 3/8-24 Hex Center Lock	
10	7090122	1	WASHER, 3/8" Flat SAE	
11	7025074	2	WASHER, .531 x 1.0 x .063 Flat	
12	7400083	1	WELDMENT, Idler Arm, 38" RZT (Cardinal Red)	
13	7014871	1	LUBE FITTING, 3/16"	<i>or 7010817</i>
14	7091526	1	SHOULDER BOLT, 3/8-24 x 5/8" YZ	<i>1.530" long shoulder</i>
15	7090872	1	BOLT, 1/4-20 x 1-1/8" Hex Flange Lock, GR 5	
16	7010916	1	SPACER, .265 I.D. x .375 O.D. x .300 thick	
17	7092126	2	NUT 1/4-20 Hex Center Lock, GR 5 YZ	
18	7014241	5	WASHER, .27 x 1.0 x .065 Flat	

### Footnotes:

**42" DECK GROUP (Final Assembly)**

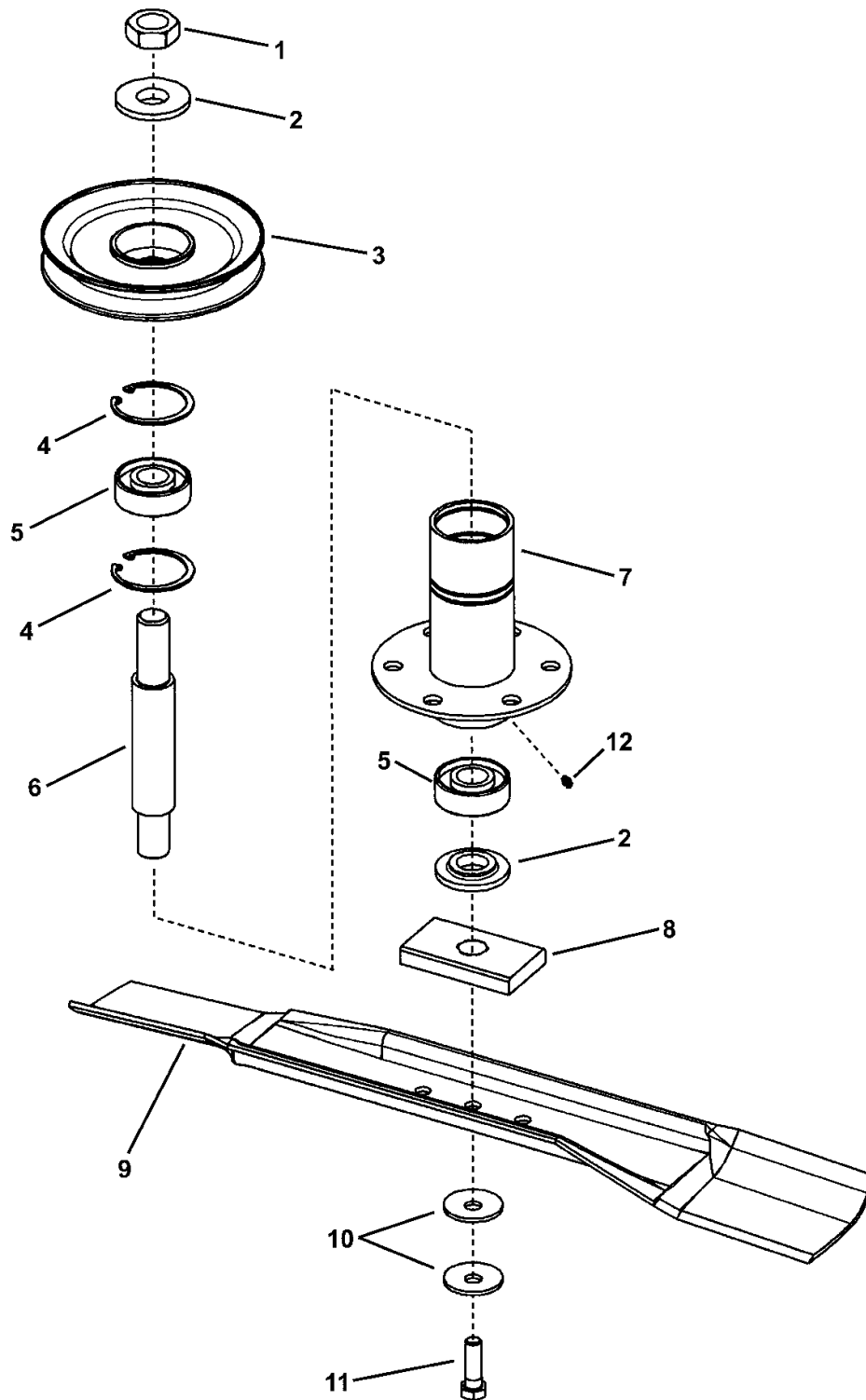


## 42" DECK GROUP (Final Assembly)

Item	Part No	Qty	Description	Note
1	7500021	1	SUB-ASSY, 42" Deck w/Spindles	<i>Ref. Sub-Assembly pages</i>
2	7035969	1	SPRING, Extension, 1.03 Dia. x 6.8 Long	
3	7035835	4	POST, Anti-Scalp	
4	7091585	6	NUT, 3/8-16 Hex Center Lock, GR 5 or B, YZ	
5	1714760	4	WHEEL, GAGE 3.92 X 1.87	<i>replaces 7029264</i>
6	2108765	4	BOLT, SHOULDER (3/8-16 thread)	<i>replaces 7029265</i>
7	7100419	1	42" BELT, A Section, 119.25 Effective Length	
8	7091328	8	SCREW, 3/8-16 x 1-1/4" Hex Head Cap, GR 5 YZ	
9	7091619	8	NUT, 3/8-16 Hex Flange Lock	
10	7091303	2	BOLT, 5/16-18 x 1" Short Square Neck Carriage, GR 5	
11	7500185	1	ASSEMBLY, 42" Chute & Decal	<i>Cardinal Red Chute 7400116 plus decal 7013010</i>
12	7091601	2	NUT, 5/16-18 Hex Flange Lock, GR 5	
13	7023606	2	VINYL CAP	
14	7090799	2	BOLT, 5/16-18 x 5/8" Short Square Neck Carriage, GR 5	
15	7011791	2	BOLT RETAINER, 5/16" Black	
16	7091315	2	WASHER, 5/16" Split Lock	
17	7091537	2	WING LOCKNUT, 5/16-18- YZ	
18	7091305	1	SCREW, 3/8-16 x 2" Hex Head Cap, GR 5 YZ	<i>or 7091553 (1-3/4" long)</i>
19	7018574	1	PULLEY, Flat Idler 4-1/8" Dia.	
20	7090122	5	WASHER, 3/8" Flat SAE	
21	7091553	1	SCREW, 3/8-16 x 1-3/4" Hex Head Cap, GR 5 YZ	
22	7075707	1	PULLEY, Flat Idler (4.00 O.D.)	

### Footnotes:

# 42" DECK SPINDLE





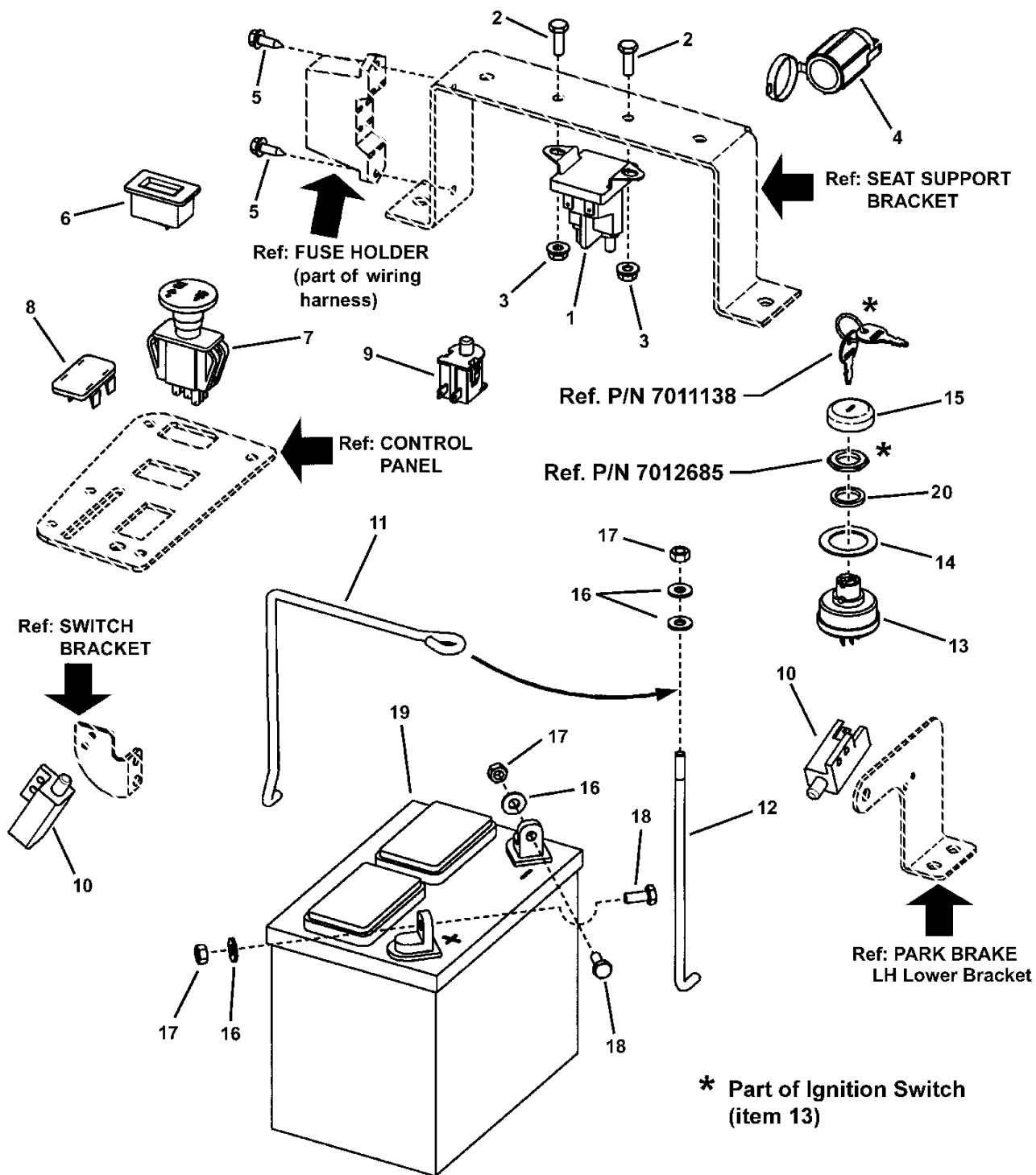
## 42" DECK SPINDLE

---

Item	Part No	Qty	Description	Note
1	7074467	1	NUT, 3/4-16 Hex Jam, GR 8	
2	7014407	1	*WASHER, Spindle (Special)	
3	7036437	1	PULLEY, 5-1/4" O.D. w/hub	
4	7012491	2	*RING, 1.85" Internal Retaining	
5	7013313	2	*BEARING, Spindle	
6	7027668	1	*SHAFT, Blade Spindle (6.500 overall length)	
7	7047917	1	*WELDMENT, Spindle Housing	
8	7032294	1	*BLADE HOLDER	
9	7026691	1	BLADE, 21" Standard Lift	
10	7012063	2	WASHER, Cone	
11	7090824	2	SCREW, 3/8-24 x 1-1/4" Hex Head Cap, GR 5	
12	7010817	1	*LUBE FITTING, 3/16" Press-In	

### Footnotes:

\*NOTE: These parts make up 7059723, Spindle Assembly.



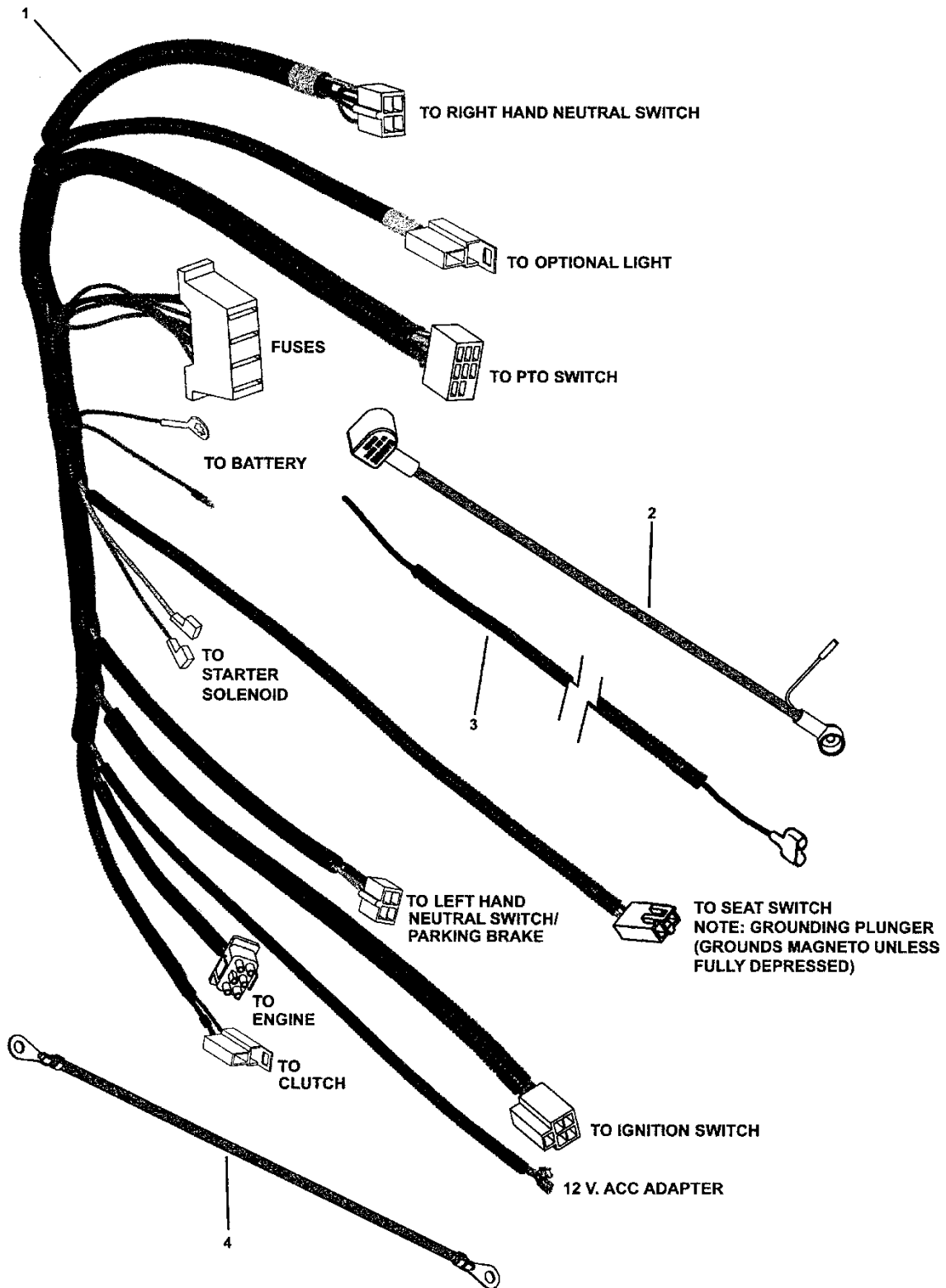
## **ELECTRICAL GROUP**

---

<b>Item</b>	<b>Part No</b>	<b>Qty</b>	<b>Description</b>	<b>Note</b>
1	7075622	1	SOLENOID - Super Trombetta- 2 Terminal	
2	7027230	2	SCREW, 1/4-20 x 1" Hex Head Cap, GR 5	
3	7091584	6	NUT, 1/4-20 Hex Flange Lock, GR 5	
4	7073090	1	12 VOLT DC POWER OUTLET	
5	7091686	2	SCREW, 1/4-20 x 3/4" Hex Washer Self-Tap	
6	7100326	1	HOUR METER, Inductive	
7	7075132	1	SWITCH, PTO, Yellow	
8	1722611	1	PLUG, Plastic Black	
9	7023354	1	SWITCH, Seat (NC)	
10	7023355	2	SWITCH- DPDT (NC/NO) (Grey)	
11	7100309	1	BATTERY BRACKET	
12	7100308	1	BATTERY HOLD DOWN	
13	7026343	1	SWITCH, Ignition-Afterfire Solenoid	<i>includes set of keys</i>
14	7023787	1	MACHINERY BUSHING	
15	7023506	1	BEZEL	
16	7091294	4	WASHER, .28 x .63 x .06 Flat, GR 5	
17	7090372	3	NUT, 1/4-20 Hex Center Lock, GR 5 or B	
18	7090072	2	SCREW, 1/4-20 x 5/8" Hex Head Cap, GR 5	
19	7100449	1	BATTERY, 12 VOLT, 230 CCA	
20	7016132	1	SPACER, .65 x .88 x .10	

### **Footnotes:**

# WIRING HARNESS



## **WIRING HARNESS**

---

<b>Item</b>	<b>Part No</b>	<b>Qty</b>	<b>Description</b>	<b>Note</b>
1	7100306	1	WIRING HARNESS, Briggs RZT	
2	7100307	1	CABLE, Battery Positive RZT, Red 20" #6 AWG	
3	7100324	1	WIRING HARNESS, Hour Meter, RZT	
4	7042956	2	WIRE, Negative, #8 AWG 14"	
4	7100636	1	WIRE, Negative, #8 AWG 20"	

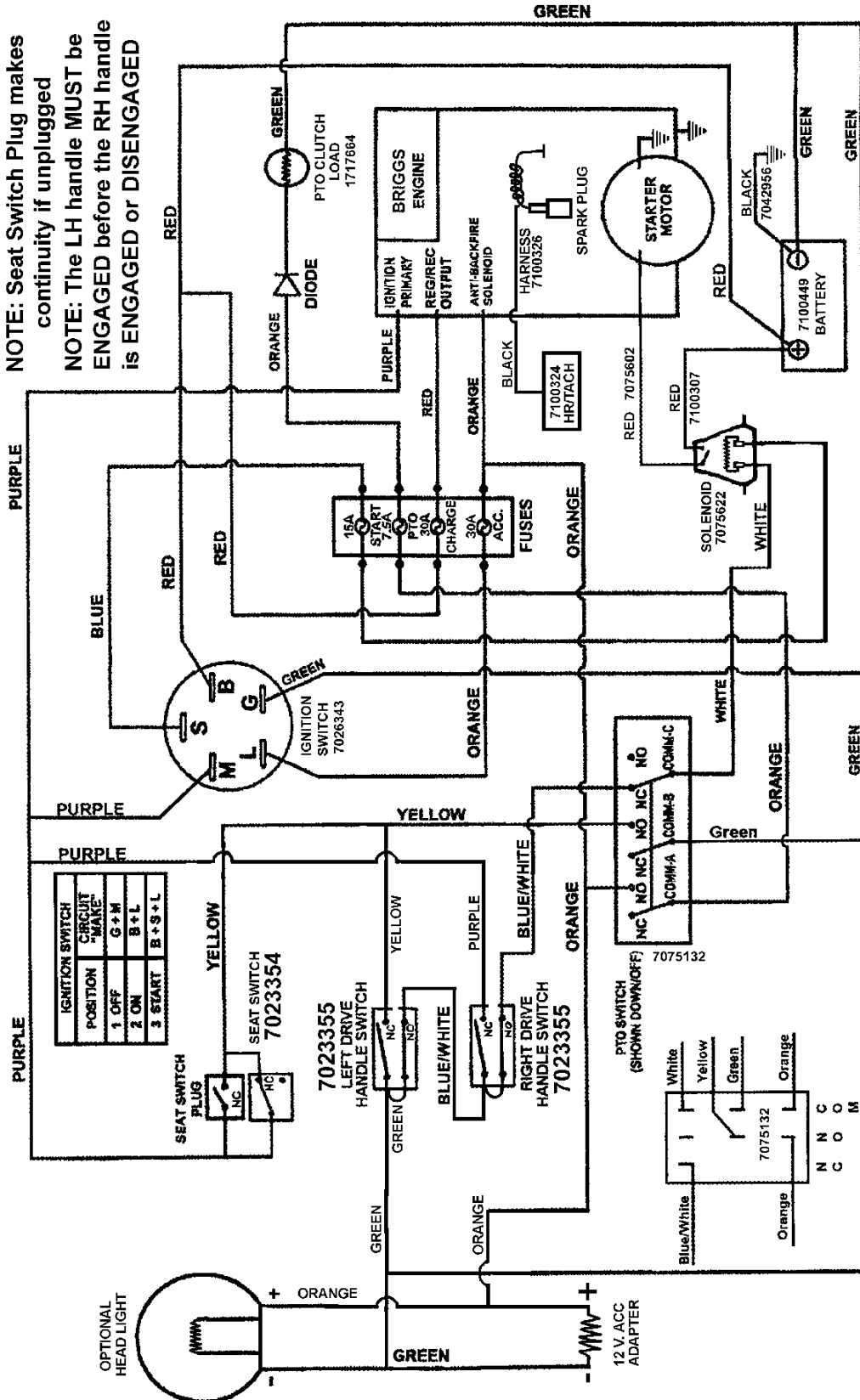
**Footnotes:**

**WIRING SCHEMATIC (Briggs Engine)**

NOTE: Switches shown with,  
Drive Handles DISENGAGED  
PTO in OFF position  
Seat VACANT

NOTE: Seat Switch Plug makes  
continuity if unplugged

NOTE: The LH handle MUST be  
ENGAGED before the RH handle  
is ENGAGED or DISENGAGED



**SCHEMATIC - WIRING HARNESS P.N. 7100306**

## **WIRING SCHEMATIC (Briggs Engine)**

---

<b>Item</b>	<b>Part No</b>	<b>Qty</b>	<b>Description</b>	<b>Note</b>
	7100306	1	WIRING HARNESS, Briggs 18 & 20 HP	

**Footnotes:**







*Parts Manual for*

# **SNAPPER®**

***RZT TWIN STICK HYDRO DRIVE 250 Z  
38" & 42"  
SERIES 0 & 1***

IT IS THE POLICY OF BRIGGS & STRATTON CORP TO IMPROVE ITS PRODUCTS WHENEVER IT IS POSSIBLE AND PRACTICAL TO DO SO. WE RESERVE THE RIGHT TO MAKE CHANGES OR ADD IMPROVEMENTS AT ANY TIME WITHOUT INCURRING ANY OBLIGATION TO MAKE SUCH CHANGES ON PRODUCTS

**SNAPPER®** McDonough, GA, 30253 U.S.A.