

*Parts Manual for*

# **SNAPPER®**

## **REAR ENGINE RIDER HYDRO DRIVE RT RMO ACS SERIES 0**

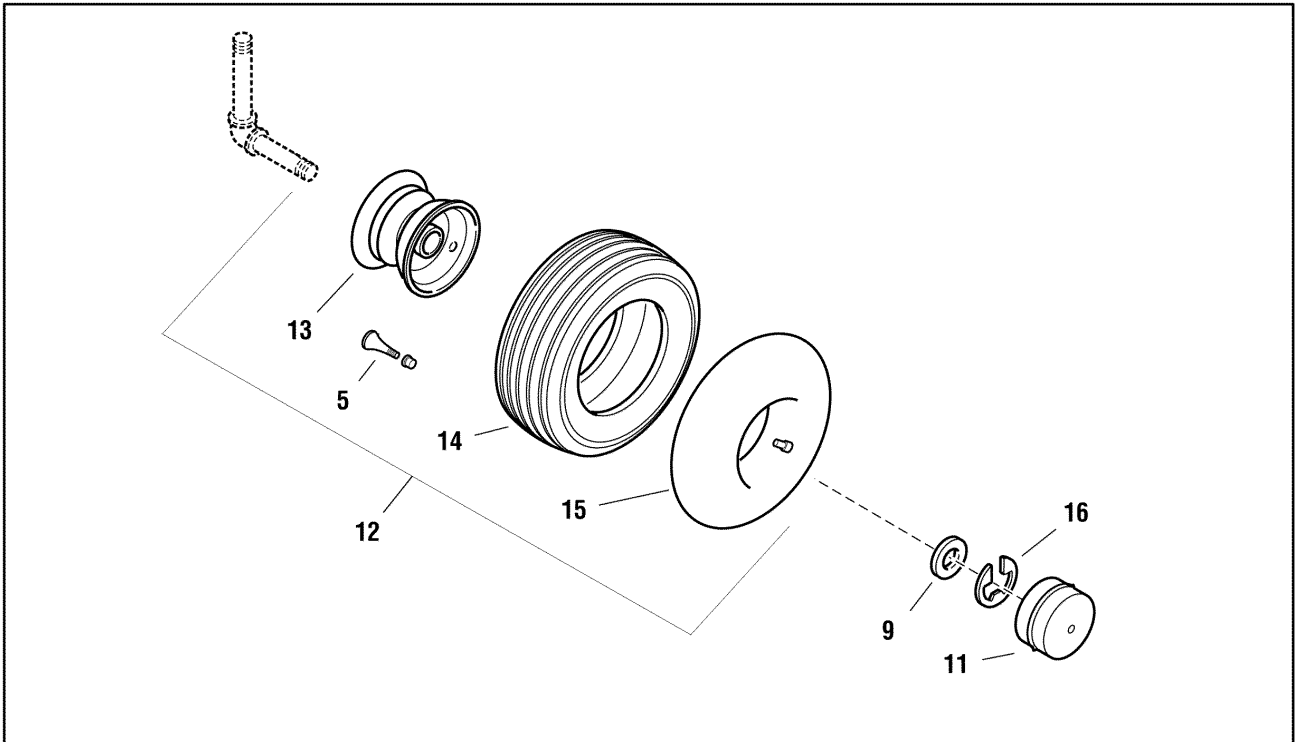
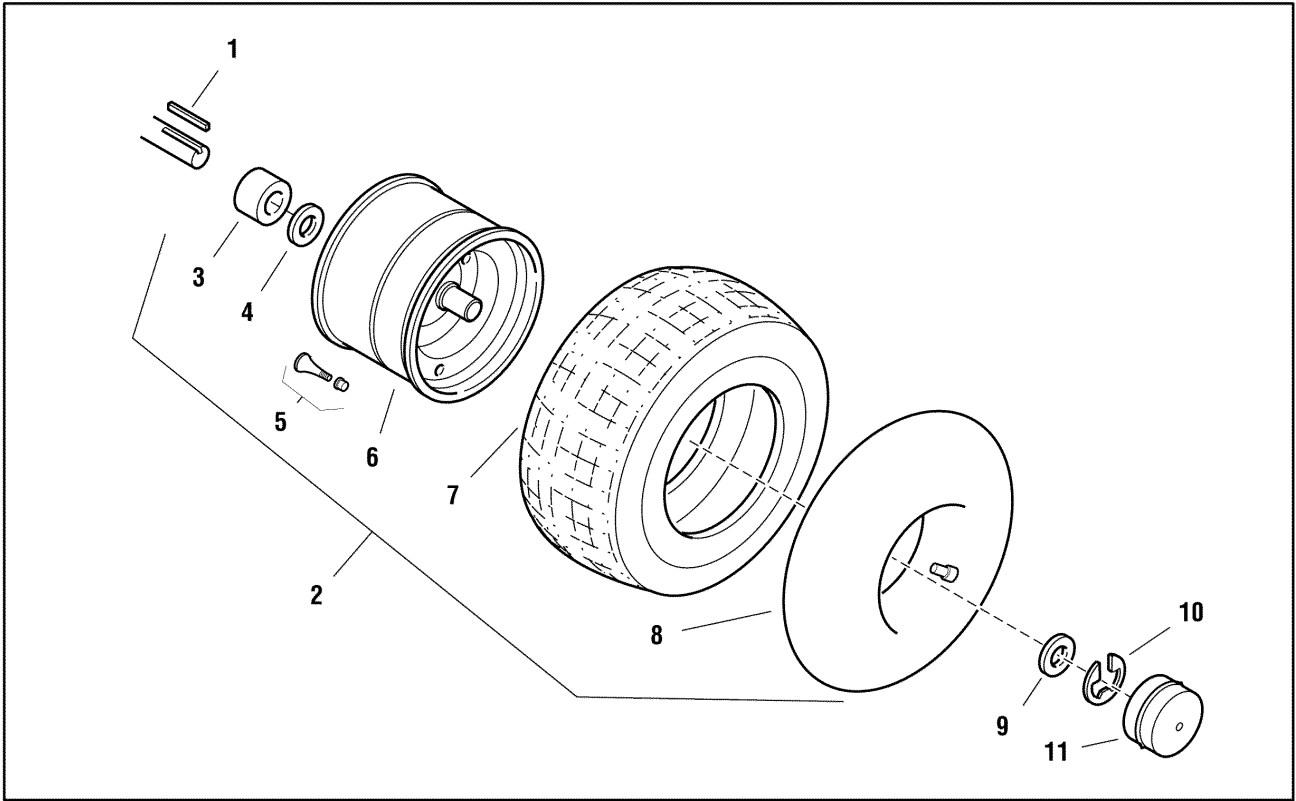
<b>MODEL</b>
<b>RT1330 (1694615)</b>
<b>RT1330 (2690649)</b>
<b>RT1330E (1694616)</b>
<b>RT1330E (2690249)</b>
<b>RT1330E (2690250)</b>



**SNAPPER®** McDonough, GA, 30253 U.S.A.



<b>PAGE</b>	<b>GROUP</b>
4	Wheels & Tires Group
6	Front Column & Dash Group
10	Steering & Lift Group
12	Frame & Fuel System Group
16	Transmission Group - Hydro-Gear 340-0510
20	Engine & Electric Clutch Group - 13HP Briggs & Stratton Models
24	30" Mower Deck - Housing & Height Adjustment
28	30" Mower Deck - Drive & Arbor
30	Decals Group
32	Electrical Group



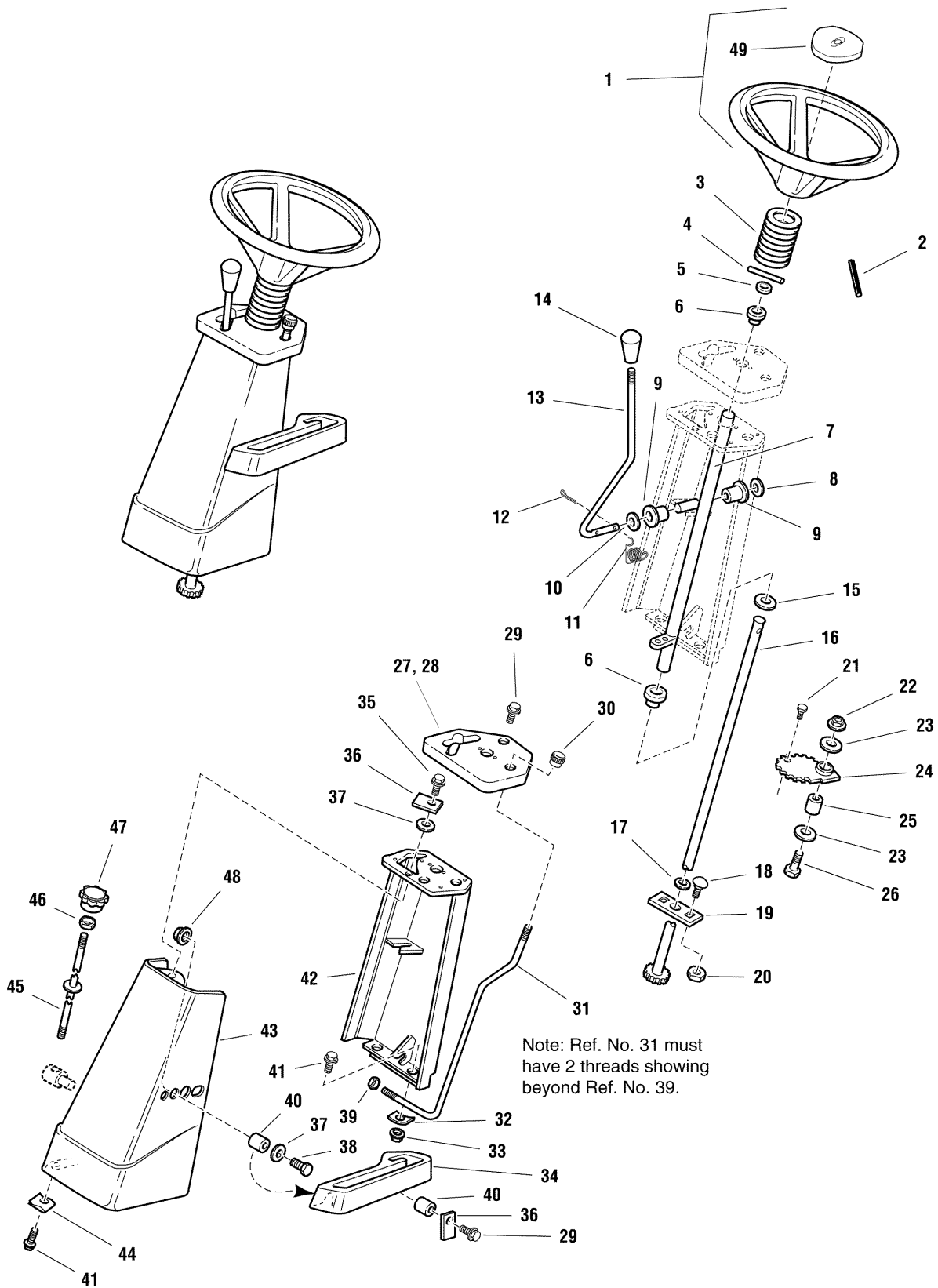
## **Wheels & Tires Group**

---

<b>Item</b>	<b>Part No</b>	<b>Qty</b>	<b>Description</b>	<b>Note</b>
1	1729279	2	KEY, Square, 3/16 x 3/16 x 1-1/2 long	
2	1723171	2	REAR WHEEL & TIRE ASSEMBLY, Hoosier, (Includes Ref. Nos. 3,	
3	1717451	2	SPACER	
4	2860202	2	WASHER, 3/4	
5	2172353	4	VALVE STEM & CAP	
6	1723400	2	REAR WHEEL ASSEMBLY, Metallic Gray	
7	1723399	2	TIRE, Rear Wheel, 16 X 6.50-8	
8	2164247	2	TUBE, Rear Wheel	
9	1960160	4	WASHER, 3/4	
10	2827794	2	E RING	
11	1722675	4	HUB CAP, Silver	
12	1723170	2	FRONT WHEEL & TIRE ASSEMBLY, Hoosier, 13 x 5.00-6, Metallic	
13	1723402	2	FRONT WHEEL ASSEMBLY 13 x 5.00-6, Metallic Gray (Includes Re	
14	1723401	2	TIRE, Front Wheel, 13 x 5.00-6	
15	1664090	2	TUBE, Front Wheel, 4.10/3.50 x 6	
16	1611710	2	KLIP RING	

### **Footnotes:**

# Front Column & Dash Group

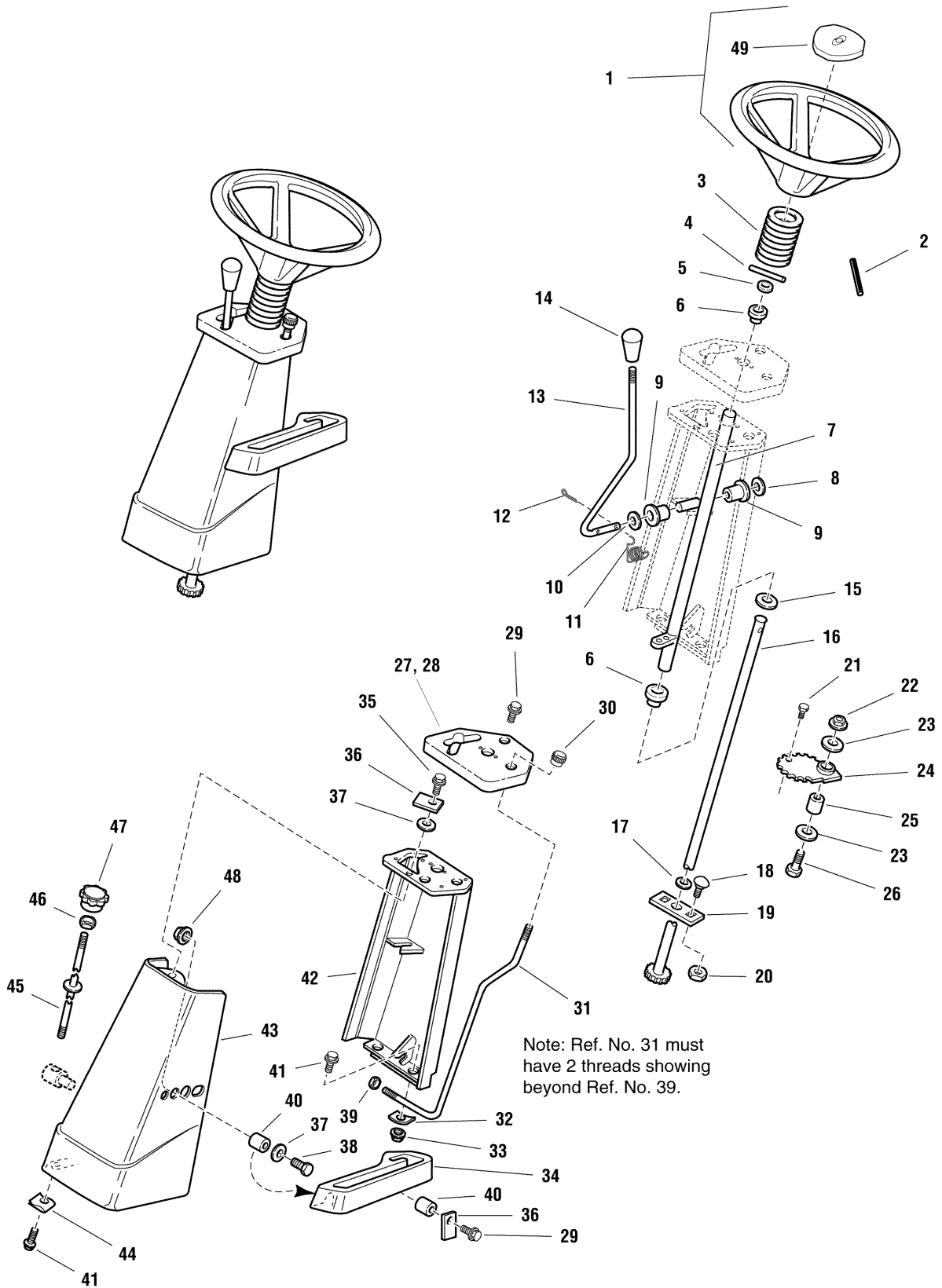


## Front Column & Dash Group

Item	Part No	Qty	Description	Note
1	1713841	1	STEERING WHEEL ASSY (Incl. Ref. No. 49)	
2	1960540	1	ROLL PIN, .188 x 1	
3	1678381	1	TUBE, Steering	
4	2916001	1	PIN	
5	1960160	3	WASHER, 49/64	
6	2176440	2	BUSHING, Nylon	
7	1709229	1	TUBE ASSEMBLY, Shift	
8	7090705	1	WASHER	Was 1960170
9	1704428	2	BUSHING	
10	7091587	1	WASHER, Plain, 17/32 x 1-1/4 x 7/64	Was 1924361
11	1707424	1	SPRING, Torsion	
12	1918447	2	COTTER PIN, .094 x 3/4	
13	1707375	1	ROD, Shift	
14	1713843	1	KNOB, Rod, Shift	
15	1960114	1	WASHER, Plain, 11/32 x 1 x 1/8	
16	1706014	1	SHAFT & GEAR ASSY, Steering	
17	173668	1	WASHER, Plain	
18	1931350	2	CARRIAGE BOLT, 3/8-16 x 1 GR5	
19	1703508A	1	PLATE, Steering Mounting	
20	1928352	2	NUT, Hex, 3/8-16	
21	7091540	1	CAPSCREW, Hex Head, 5/16-18 x 1-1/2 GR5	Was 1921221
22	3031355	1	NUT, Hex Flange Lock, 3/8-16	Was 1960339
23	1924356	3	WASHER, 13/32 x 1-1/2 x 1/8	
24	1708426	1	GEAR, Steering	
25	1666332	1	SPACER	
26	1923701	1	CAPSCREW, Hex Head, 3/8-16 x 2 GR5	
27	1714081	1	DASH, Hydro	
28	1714082	1	DASH, Gear (Not Applicable)	
29	1925592	3	CAPSCREW, Hex, Flange, Taptite, 1/4-20 x 3/4	
30	1713855	1	KNOB, Rod, Parking Brake	
31	1707057	1	ROD, Parking Brake	
32	1933988	2	PUSH NUT, 5/16	
33	1931277	2	NUT, Hex Flange, Whizlock, 5/16-18	
34	1708965	1	QUADRANT, Lift	
35	1925003	3	CAPSCREW, Hex Head, Taptite, 1/4-20 x 1/2	
36	1709075	2	CLAMP, Dashboard	
37	1921319	2	WASHER, Plain, 1/4	

### Footnotes:

# Front Column & Dash Group



Note: Ref. No. 31 must have 2 threads showing beyond Ref. No. 39.



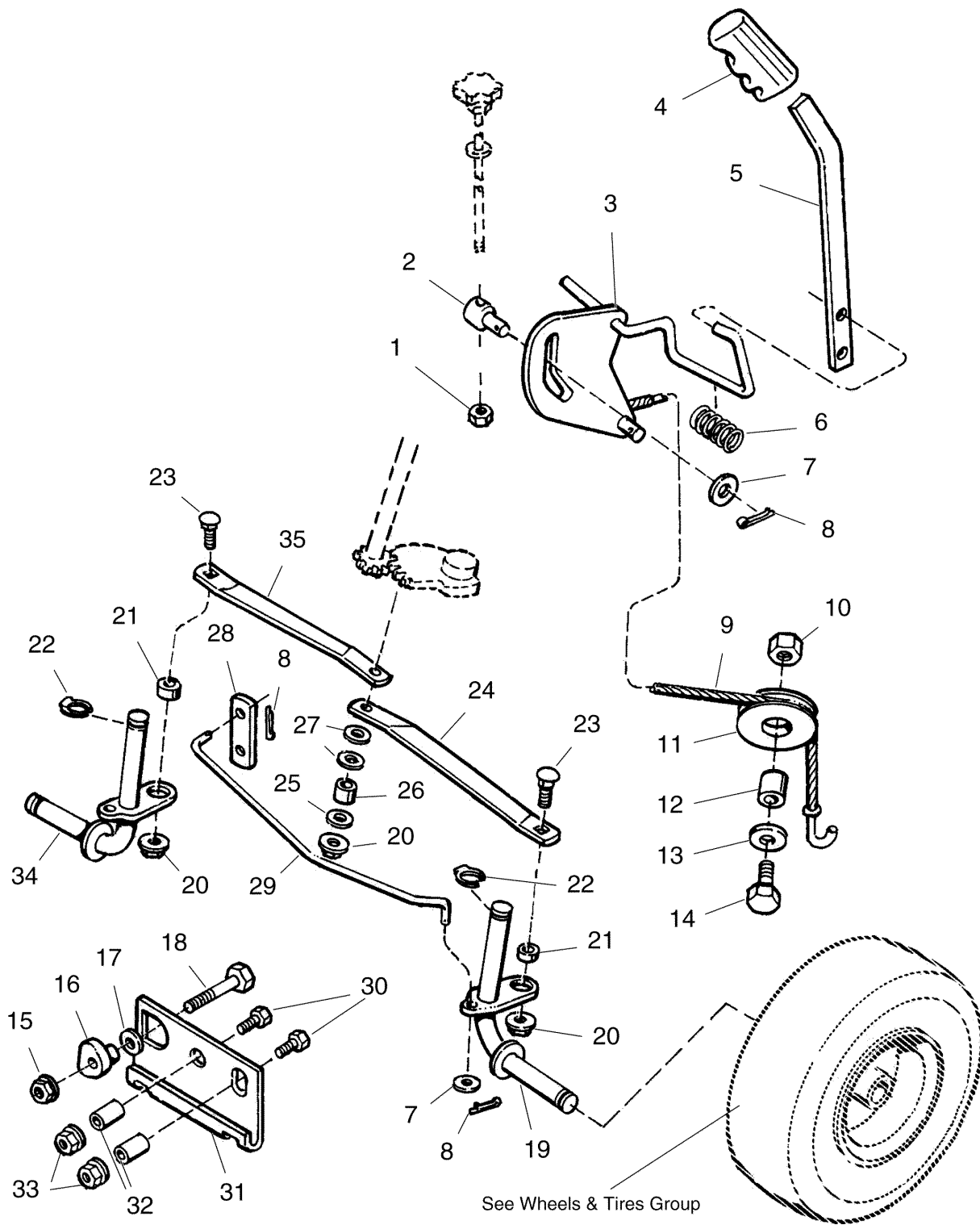
## Front Column & Dash Group

---

Item	Part No	Qty	Description	Note
38	1924009	2	CAPSCREW, Hex Head, 1/4-20 x 7/8 GR5	
39	1960608	1	NUT, Hex, Flange, 1/4-20	
40	1678392	3	SPACER, 17/64 x 3/8 x 21/64	
41	1930591	6	CAPSCREW, Hex Head, Whizlock, 5/16-18 x 3/4	
42	1708990A	1	SUPPORT, Steering	
43	1708267D	1	SHROUD, Front (Red)	
44	1935255	4	PAL NUT, 5/16-18	
45	1708971	1	ROD, Lift Height	
46	1917421	2	NUT, Hex, Jam 1/4-20	
47	1713857	1	KNOB, Rod, Lift Height	
48	1930641	2	NUT, Hex, Flange, Whizlock, 1/4-20	
49	1714097	1	CAP, Steering Wheel	

### Footnotes:

# Steering & Lift Group

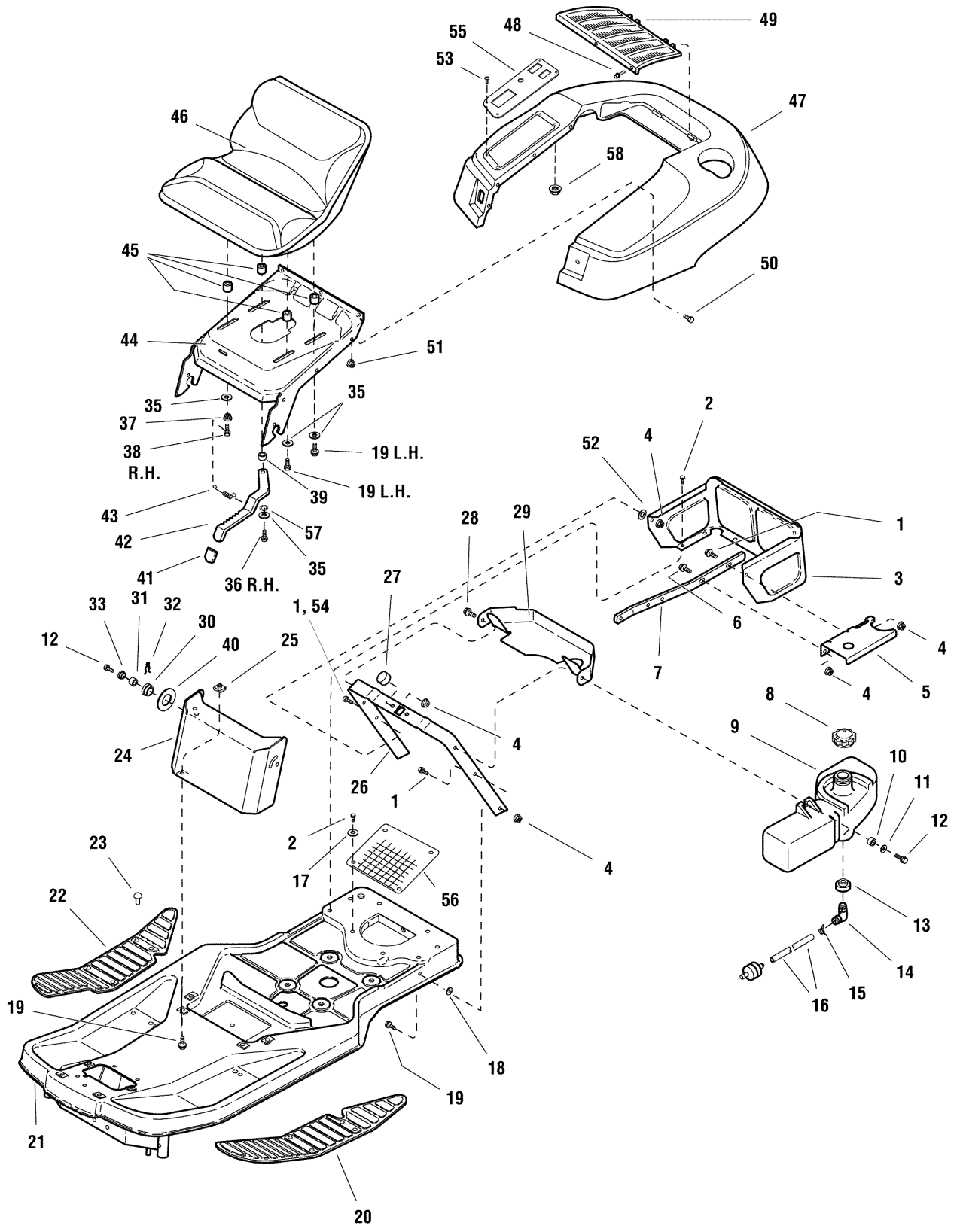


## Steering & Lift Group

Item	Part No	Qty	Description	Note
1	1930651	1	NUT, Hex 3/8-16	
2	2108512	1	PIVOT	
3	1708955A	1	ARM ASSEMBLY, Lift	
4	1708966	1	GRIP, Lever	
5	1708557A	1	LEVER, Lift	
6	1708884	1	SPRING, Compression	
7	7090122	3	WASHER, Plain, 13/32 x 7/8 x 5/64	Was 1924940
8	1918447	3	COTTER PIN, 3/32 x 3/4	
9	1708556	1	CABLE ASSEMBLY, Lift	
10	1919439	1	NUT, Hex, Esna Lock, 3/8-16	
11	1708559	1	PULLEY, Lift	
12	1708973	1	SPACER	
13	1924356	1	WASHER, Plain, 13/32 x 1-1/2 x 1/8	
14	1921969	1	CAPSCREW, Hex Head, 3/8-16 x 1-1/2 GR5	
15	1930645	1	NUT, Hex, Flange Lock, 3/8-16	
16	1708514	1	ECCENTRIC	
17	1922755	1	WASHER, 13/32 x 7/8 x 1/8	
18	1921971	1	CAPSCREW, Hex Head, 3/8-16 x 1-3/4 GR5	
19	1706011	1	SPINDLE ASSEMBLY, LH	
20	1935048	3	NUT, Hex, Flange Lock, 5/16-18	
21	1960236	2	SPACER	
22	1704420	2	KLIP RING	
23	1931335	2	CARRIAGE BOLT, 5/16-18 x 1 GR5	
24	1708501A	1	TIE ROD, LH	
25	1919381	1	WASHER	
26	1710703	1	SPACER, 21/64 x 1/2 x 5/8	
27	7090705	2	WASHER	Was 1960170
28	1708516A	1	LEVER	
29	1708521	1	ROD, Hitch	
30	1920328	2	CAPSCREW, Hex Head, 1/2-13 x 1-1/2 GR5	
31	1709237A	1	HITCH, Hook	
32	1709235	2	SPACER	
33	1930644	2	NUT, Hex, Flange, 1/2-13	
34	1706019	1	SPINDLE ASSEMBLY, RH	
35	1708500A	1	TIE ROD, RH	

### Footnotes:

**Frame & Fuel System Group**

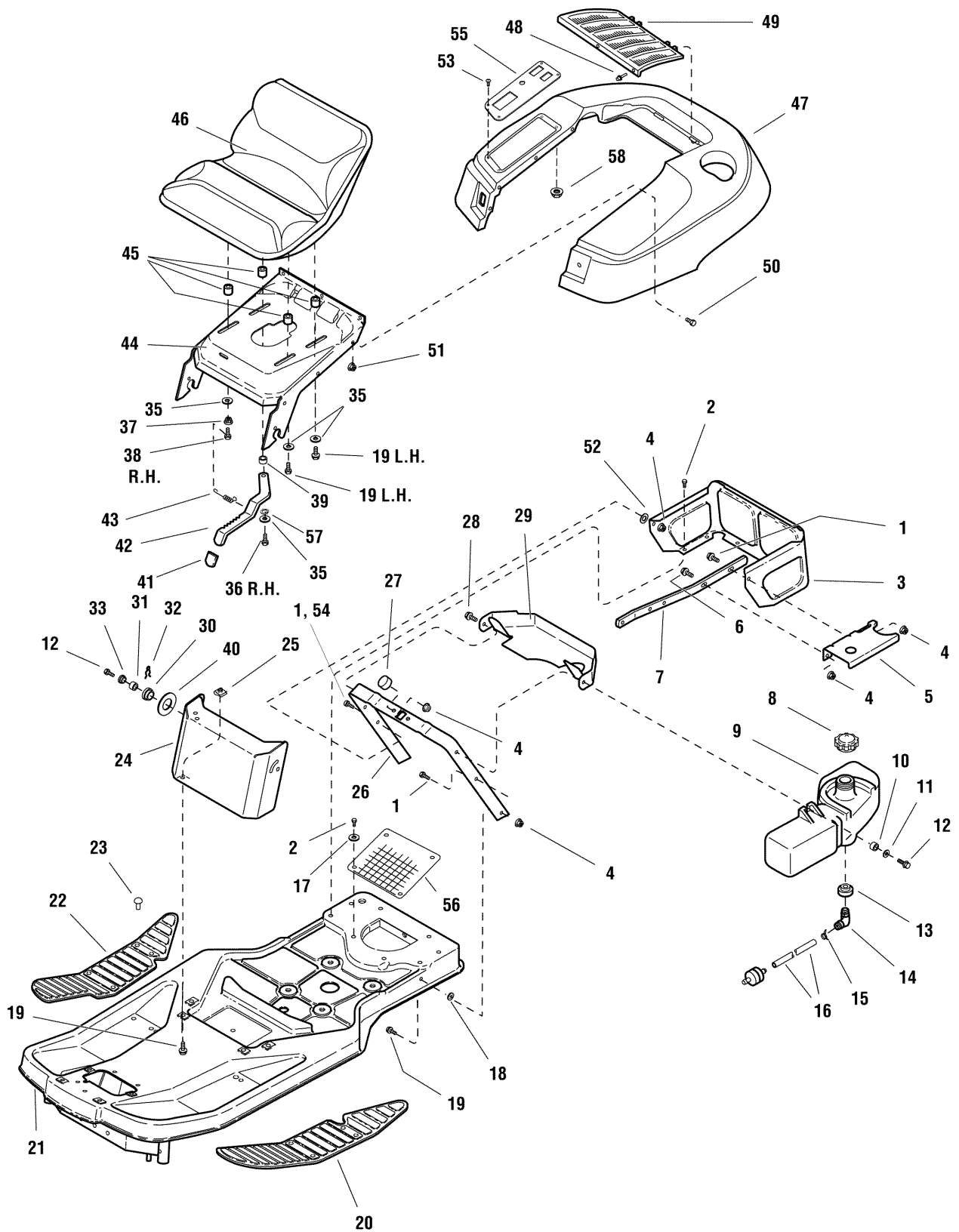


## Frame & Fuel System Group

Item	Part No	Qty	Description	Note
1	1921333	2	CAPSCREW, Hex Head, 5/16-18 x 1	
2	1925003	8	CAPSCREW, Hex Head, Taptite, 1/4-20 x 1/2	
3	1715962A	1	SHROUD, Rear	
4	1931277	5	NUT, Hex, Flange, Whizlock, 5/16-18	
5	1726558A	1	SUPPORT, Fuel Tank	
6	1931333	1	CARRIAGE BOLT, 5/16-18 x 3/4	
7	1708362A	1	STRAP, Fuel Tank, Brace	
8	1714020	1	CAP, Fuel Tank, Vented	
9	1726635	1	TANK, Fuel	
10	1710437	1	SPACER, 21/64 x 1/2 x 21/64	
11	7090122	1	WASHER, Plain, 13/32 x 7/8 x 5/64	Was 1924940
12	1960373	1	CAPSCREW, Hex, Taptite, 5/16-18 x 1 Black (13 HP Models)	
13	1726400	1	BUSHING, Rubber	
14	1674792	1	ELBOW, Fitting with Screen	
15	2860112	2	CLAMP, Hose	
16	1718678	1	HOSE, Fuel Line	
17	1960044	2	WASHER, Plain	
18	1933988	2	PUSH NUT, 5/16	
19	1930591	10	CAPSCREW, Hex Head, Whizlock, 5/16-18 x 3/4	
20	1708525	1	PAD, Foot Rest, LH	
21	1727222A	1	FRAME ASSEMBLY	
22	1708524	1	PAD, Foot Rest, RH	
23	1704351	14	FASTENER	
24	1727685A	1	PANEL, Front	
25	1935255	4	PAL NUT, 5/16-18	
26	1726563A	1	SUPPORT, U , Seat (13 HP Models)	
27	1715970	2	BUMPER, Rubber	
28	1924856	1	CAPSCREW, Hex Head, Taptite, 5/16 x 1/2	
29	1708725A	1	DUCT, Air Inlet (13 HP Models)	
30	1704626	2	SPACER, Plastic	
31	1705249	2	SPACER	
32	1704628	2	PIN, Quick	
33	1705248	2	PIVOT, Hood	
35	1917356	4	WASHER	

### Footnotes:

**Frame & Fuel System Group**

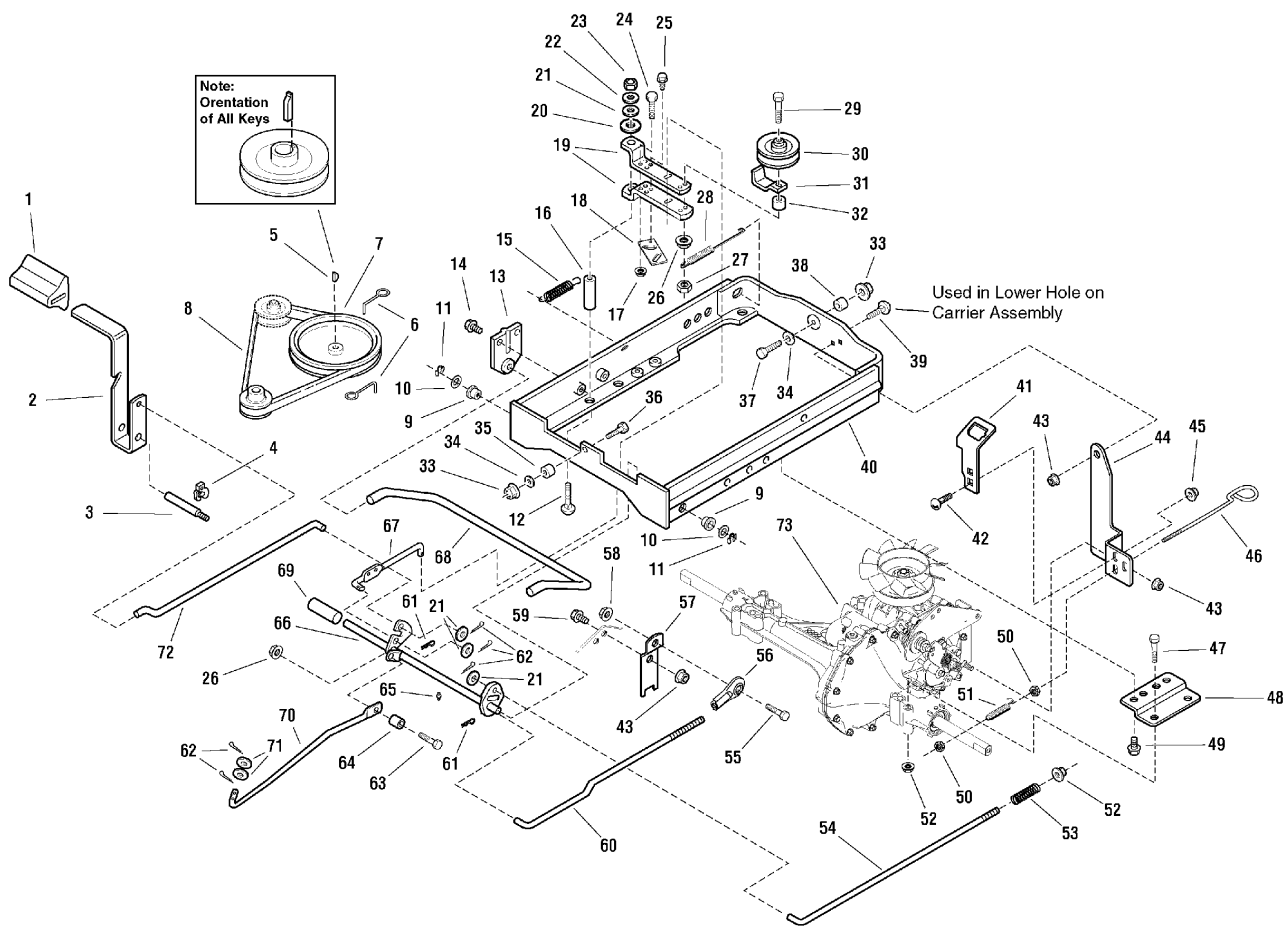


## Frame & Fuel System Group

---

Item	Part No	Qty	Description	Note
36	7091540	1	CAPSCREW, Hex Head, 5/16-18 x 1-1/2	Was 1921221
37	1917372	1	NUT, Hex, 5/16-18	
38	1921977	1	CAPSCREW, 5/16-18 x 1-1/4	
39	1703900	1	SPACER	
40	2860208	2	WASHER, 1	
41	1708881	1	CAP, Black, Vinyl	
42	1725532A	1	ADJUSTER, Seat	
43	1667286	1	SPRING, Extension	
44	1725531A	1	SUPPORT, Seat	
45	1708511	4	SPACER	
46	1725486	1	SEAT ASSEMBLY	
47	1726649	1	DECK, Seat, Red	
48	1673320	3	RIVET	
49	1708504	1	SCREEN, Seat Deck Top	
50	1960295	7	CAPSCREW, Hex Head, Whizlock, 1/4-20 x 5/8	
51	1930642	7	NUT, Hex, Flange Lock, 1/4-20	
52	1919381	1	WASHER, 5/16	
53	1960715	4	SCREW, Truss Head, 1/4-20 x 3/4	
55	1726836A	1	PLATE, Control	
56	1724598	1	SCREEN	
57	1919381	4	WASHER, 11/32 x 1 x 1/8	
58	1920397	1	NUT, ESNA 1/4-20	

### Footnotes:

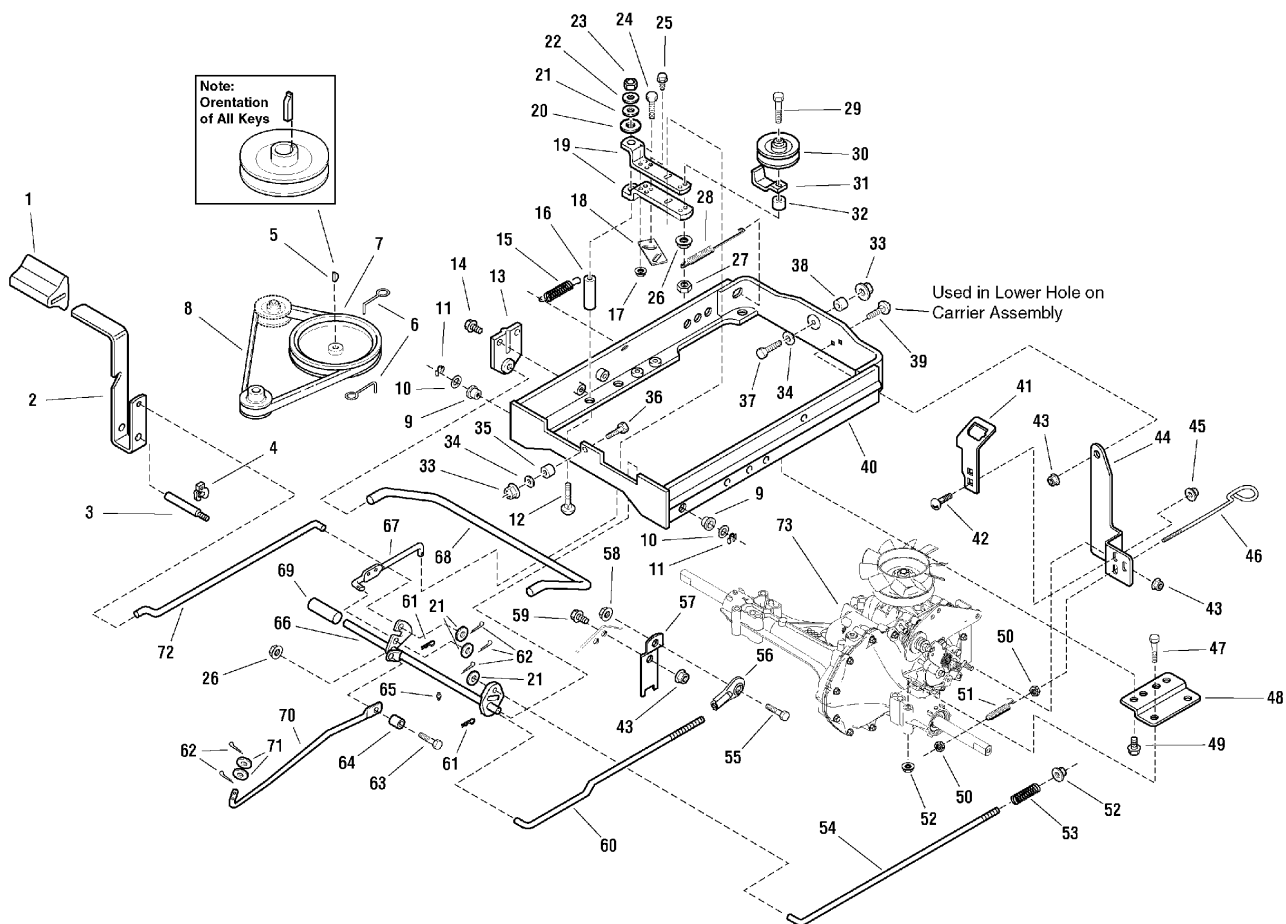




## Transmission Group - Hydro-Gear 340-0510

Item	Part No	Qty	Description	Note
1	1704849	1	PAD, Brake	
2	1723348A	1	LEVER, Clutch	
3	1708409	1	PIVOT, Brake	
4	1708554	1	RING, Klipring Extension	
5	2171241	1	KEY, Hi-Pro	
6	1704419	2	STOP, Belt	
7	1723497	1	PULLEY & HUB ASSEMBLY, Engine	
8	1707346	1	V - BELT (4L 42.0 ET KEV)	
9	1715025	2	BUSHING	
10	1924361	2	WASHER, 1/2	
11	1703805	1	RING, Klipring Extension	
12	1931342	1	CARRIAGE BOLT, 5/16 - 18 x 2-1/4 G5	
13	1708367	2	BRACKET, Torsion Bar	
14	1924856	4	SCREW, Hex, Washer Head, Taptite, 5/16 - 18 x 1/2	
15	2159106	1	SPRING, Extension	
16	1709345	1	SPACER	
17	1930641	1	NUT, Hex, Flange, 1/4 - 20, Whiz Lock LG	
18	1725839A	1	PLATE, Idler 10GA	
19	1709221	2	CLEVIS HALF	
20	1924366	1	WASHER, 5/8	
21	1919326	5	WASHER, 5/16	
22	1917356	1	LOCKWASHER, Spring 5/16	
23	1917372	1	NUT, Hex 5/16 - 18	
24	1923341	1	CAPSCREW, Hex Head, 1/4 - 20 x 3/4 G5	
25	1927429	1	SCREW, Hex, Washer Head, Taptite, 1/4 - 20 x 5/8	
26	1928352	2	NUT, Hex Flange,, 3/8 - 16 Whiz Lock LG	
27	1928731	1	NUT, Hex, Toplock, Jam, 3/8 - 16	
28	1725250	1	SPRING, Extension	
29	1922918	1	CAPSCREW, Hex Head, 3/8 - 16 x 3-1/4 G5	
30	1668827	1	PULLEY	
31	1708352A	1	GUARD, Spring	
32	1725838	1	SPACER	
33	1930644	1	NUT, Hex Flange, 1/2 - 13, Two-Way Lock	
34	1924361	1	WASHER, 1/2	
35	1719683	1	SPACER	
36	1921176	1	CAPSCREW, Hex Head, 1/2 - 20 x 1-1/4 G5	
37	1923114	1	CAPSCREW, Hex Head, 1/2 - 13 x 1 G5	

### Footnotes:

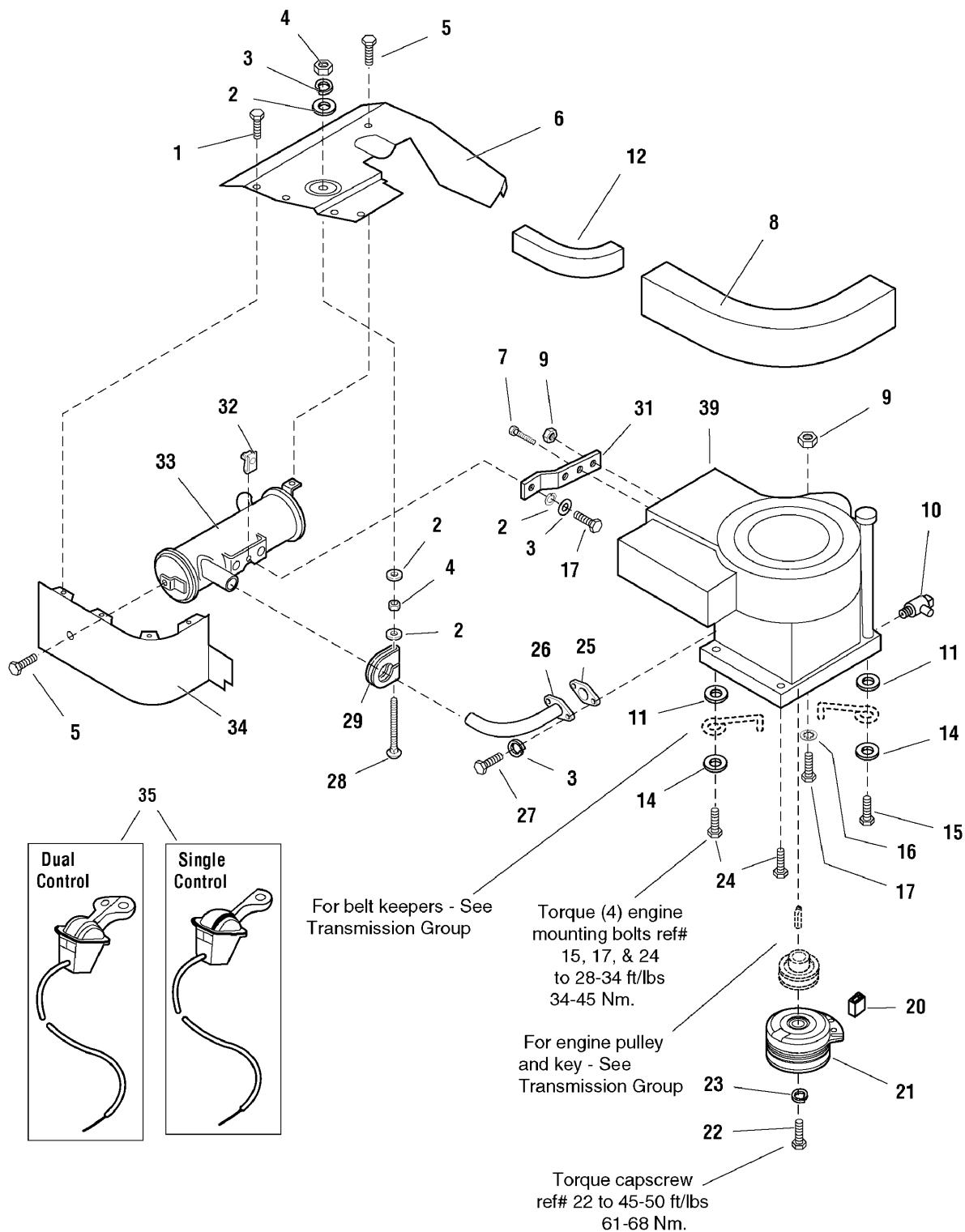


## Transmission Group - Hydro-Gear 340-0510

Item	Part No	Qty	Description	Note
38	1719725	1	SPACER	
39	1931332	1	CARRIAGE BOLT, 5/16 - 18 x 5/8 G5	
40	1726591A	1	CARRIER ASSEMBLY	
41	1726554A	1	BRACKET, Switch Mounting (No-Mow Models Only)	
42	1960252	2	CARRIAGE BOLT, 1/4 - 20 x 5/8 G5 (No-Mow Models Only)	
43	1931277	3	NUT, Hex Flange, 5/16 - 18, Whiz Lock Small	
44	1726555A	1	STRAP, Torque (No-Mow Models Only)	
44	1726555A	1	STRAP, Torque	
45	1960694	2	NUT, Hex Flange, 1/4 - 20 ESNA (No-Mow Models Only)	
46	1725183	1	ROD	
47	1921719	4	CAPSCREW, Hex Head, 5/16 - 18 x 2-1/2 G5	
48	1725706A	2	BRACKET, Mounting	
49	1664847	4	SCREW, Hex, Washer Head, Taptite, 5/16 - 18 x 3/4	
50	1916621	2	NUT, Hex Machine Screw	
51	1726327	1	SPRING, Extension	
52	1935048	5	NUT, Hex Flange, 5/16 - 18, Two-Way Lock	
53	1708360	1	SPRING	
54	1725166	1	ROD, Brake	
55	1921210	1	CAPSCREW, Hex Head, 3/8 - 16 x 1 G5	
56	1726559	1	ROD, End	
57	1725736A	1	LEVER, Control	
58	1930645	1	NUT, Hex Flange, 3/8 - 16, Two-Way Lock	
59	1925205	1	CAPSCREW, Hex Head, 5/16 - 18 x 5/8 G5	
60	1725167	1	ROD, Control	
61	1722460	2	PIN, Quick	
62	1918447	6	PIN, Cotter	
63	2860709	1	SCREW, Hex, Whiz Lock, Flange, 3/8 - 16 x 1-3/4	
64	1666804	1	SPACER	
65	2821133	1	FITTING, Lube, 1/4 Drive	
66	1725768A	1	SHAFT & ARMS ASSEMBLY, Pivot	
67	1709220	1	CLUTCH, Rear	
68	1708366	1	BAR, Torsion	
69	1709850	1	TUBE	
70	1725767	1	ROD, Shift, Front	
71	1924359	2	WASHER, 1/2	
72	1706260	1	ROD, Clutch, Front	
73	1725620	1	TRANSMISSION ASSEMBLY, Hydro Gear	

### Footnotes:

# Engine & Electric Clutch Group - 13HP Briggs & Stratton Models



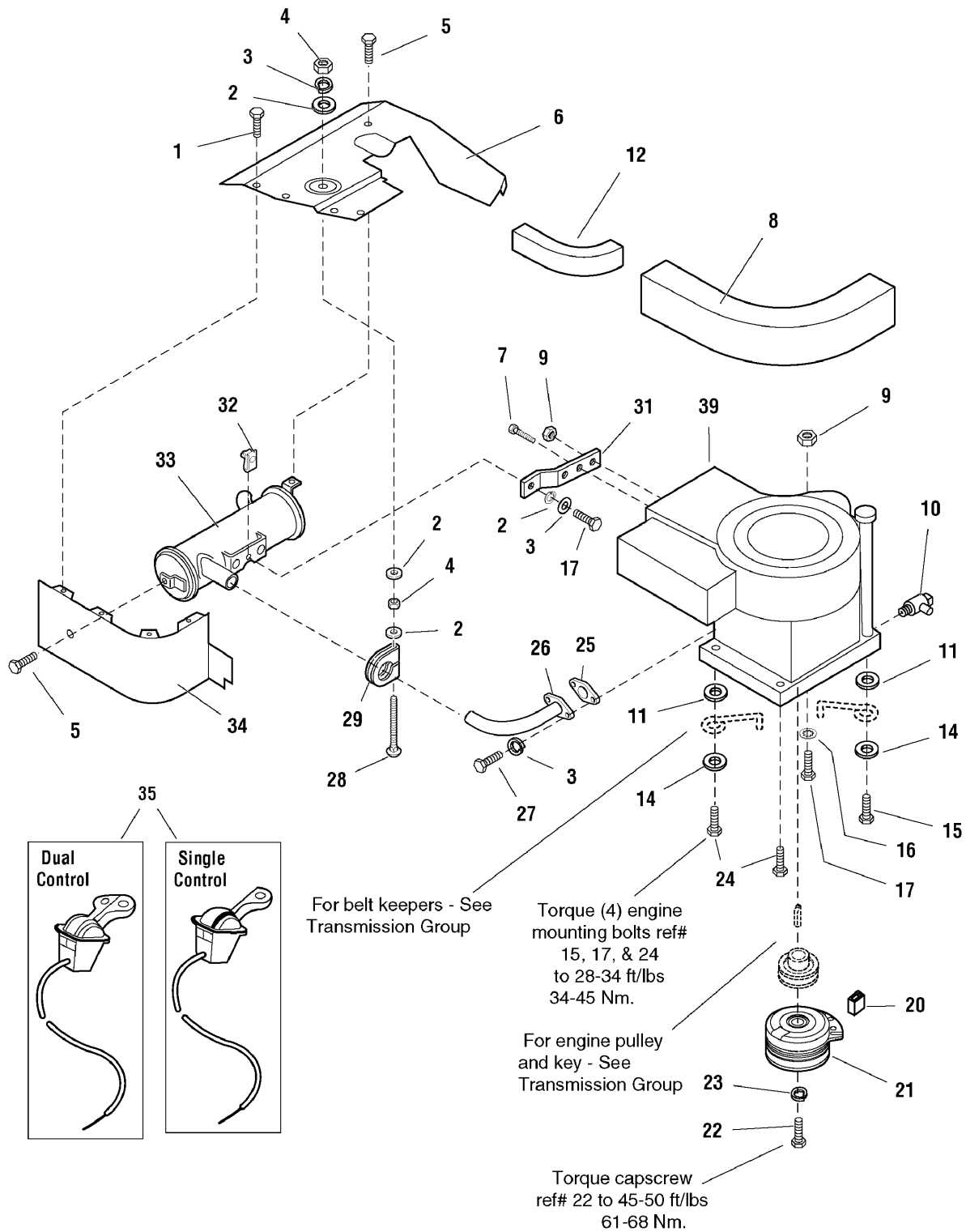
## Engine & Electric Clutch Group - 13HP Briggs & Stratton Models

Item	Part No	Qty	Description	Note
1	1960720	5	SCREW, Thread Forming, #10-16 x 1/2	
2	1919326	4	WASHER, .34	
3	1917356	4	LOCKWASHER, 5/16	
4	1917372	2	NUT, Hex, 5/16-18	
5	1924856	2	CAPSCREW, Hex Head, Taptite, 5/16-18 x 1/2	
6	1724428A	1	DUCT, R.H., Top	
7	1960568	2	SCREW, Taptite, 1/4-20 x .88	
8	1709055	1	SEAL, Air Inlet	
9	1931277	1	NUT, Flange, Whizlock, 5/16-18	
10	1708405	1	VALVE, Shut-Off	
11	2833263	2	WASHER, Plain	
12	1718648	1	EDGING, Seal	
14	1922755	2	WASHER, 3/8	
15	2860361	1	CAPSCREW, Taptite, 3/8-16 x 2	
16	1933988	1	PUSH NUT, 5/16-18	
17	1933689	1	CAPSCREW, Hex, Whizlock, Flange, 5/16-18 x 1-1/2	
20	1708537	1	SLEEVE, Clutch Anchor	
21	1686882	1	CLUTCH, Electric, Kit	
22	1960370	1	CAPSCREW, Hex Head, 7/16-20 x 2-1/2	
23	1918199	1	LOCKWASHER, 7/16	
24	1930598	2	CAPSCREW, Taptite, 3/8-16 x 1-1/2	
25	1650670	1	GASKET, Muffler	
26	1724466	1	PIPE, Exhaust	
27	1936228	2	CAPSCREW, Socket Head, 5/16-18 x 3/4	
28	1960748	1	CARRIAGE BOLT, 5/16-18 x 3-1/4	
29	1676183	1	CLAMP, Muffler	
31	1724428A	1	SUPPORT, Muffler	
32	1935255	1	SPEED NUT, 5/16-18	
33	1708416	1	MUFFLER ASSEMBLY	
34	1724427A	1	DUCT, Bottom	
35	1734506	1	THROTTLE CONTROL, Dual (Export Only)	

### Footnotes:

Note\* See your local Briggs & Stratton distributor for parts

# Engine & Electric Clutch Group - 13HP Briggs & Stratton Models



## **Engine & Electric Clutch Group - 13HP Briggs & Stratton Models**

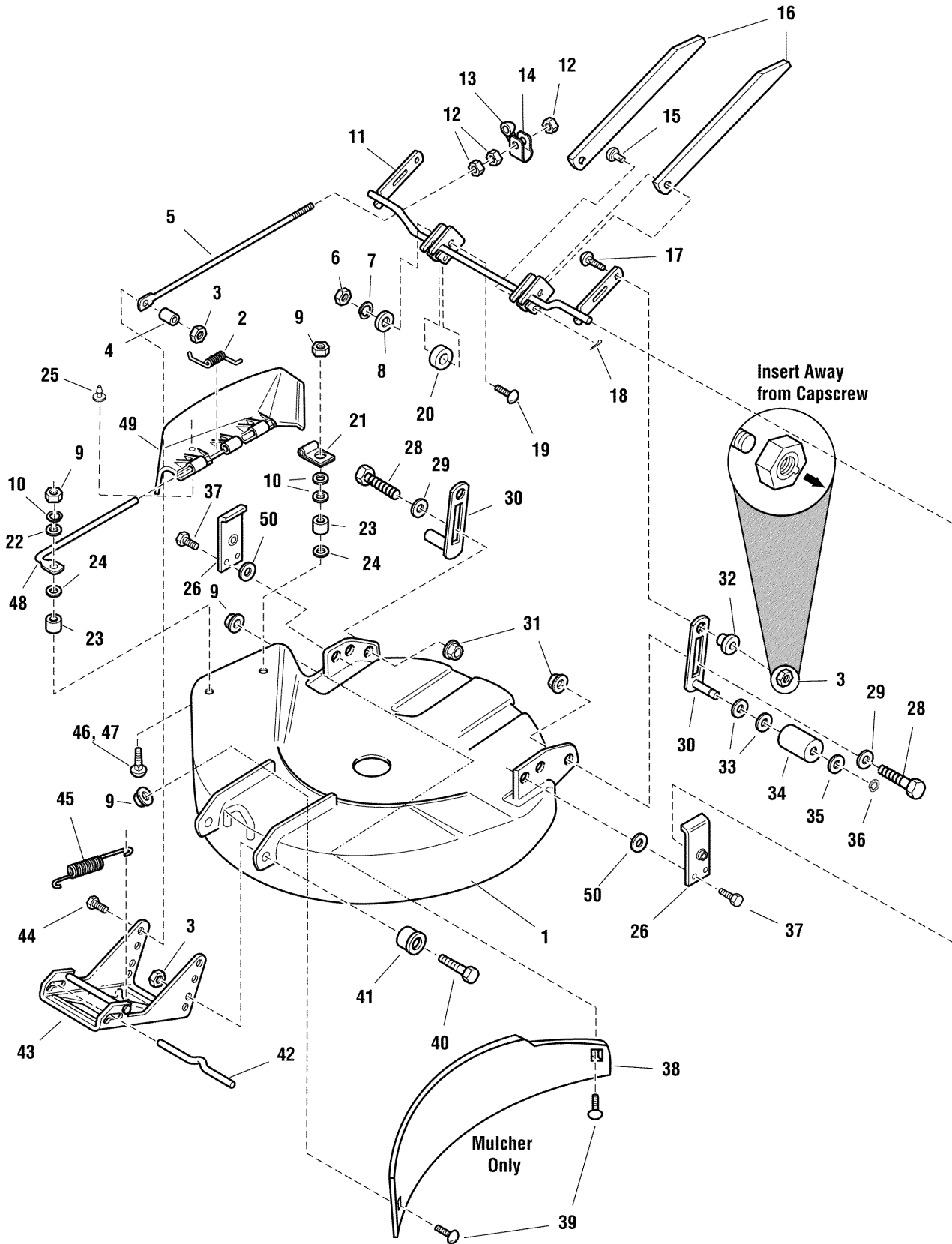
---

<b>Item</b>	<b>Part No</b>	<b>Qty</b>	<b>Description</b>	<b>Note</b>
35	1722955	1	THROTTLE CONTROL, Single	
39	*	1	ENGINE, Briggs & Stratton, 13HP, Mod. 21A907-0131-E1	

### **Footnotes:**

Note\* See your local Briggs & Stratton distributor for parts

# 30" Mower Deck - Housing & Height Adjustment



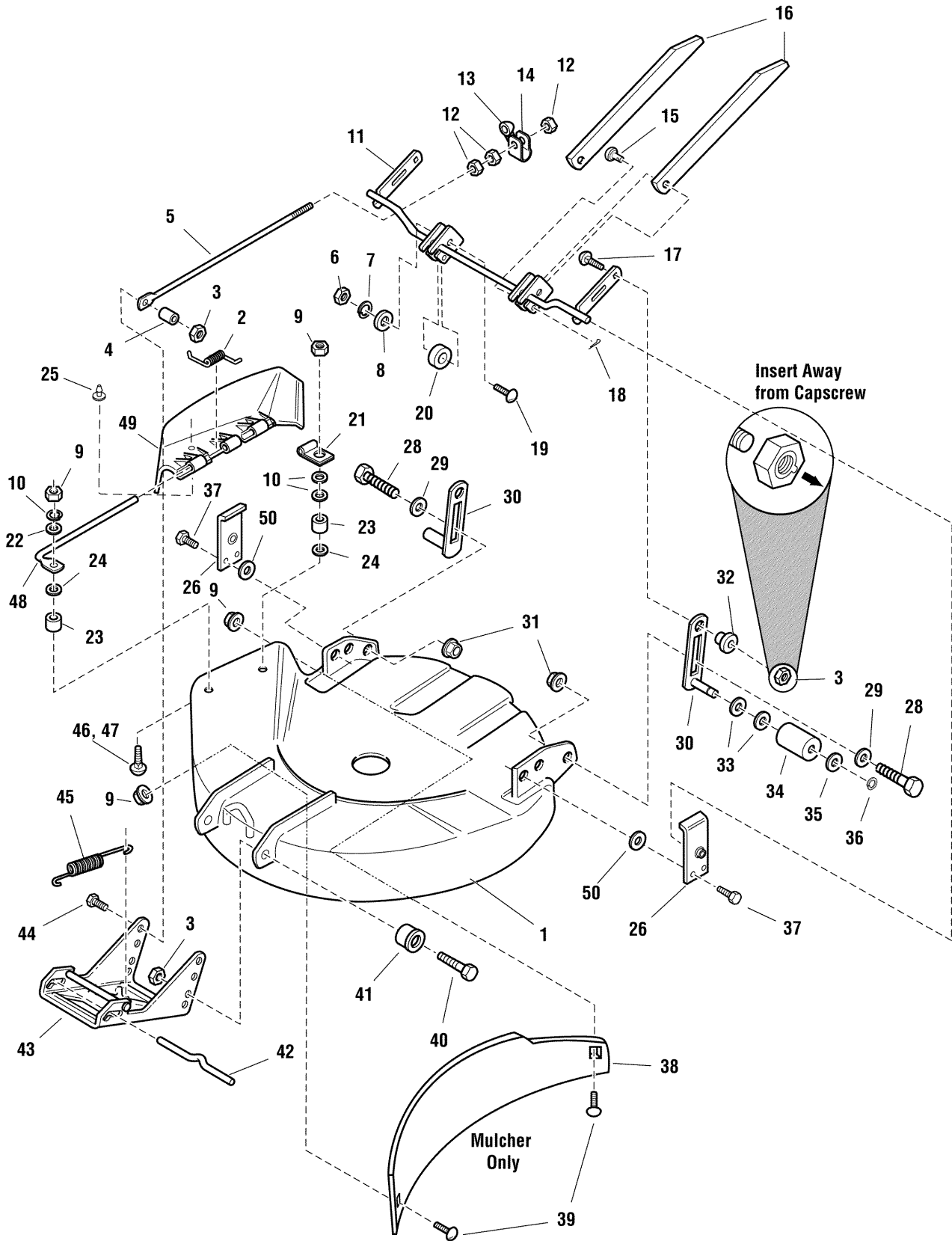


## 30" Mower Deck - Housing & Height Adjustment

Item	Part No	Qty	Description	Note
1	1687157	1	HOUSING ASSEMBLY, 30 (Red)	
2	7101082	1	SPRING, Torsion	
3	2860681	5	NUT, Hex, ALUM Lock, 3/8	
4	1611705	1	SPACER	
5	1707300	1	ROD, Adjustment	
6	1927557	2	NUT, Hex Flange Whiz Lock, 5/16-18	
7	1917356	1	LOCKWASHER, 5/16 (Domestic Only)	
8	1919326	2	WASHER	
9	1920397	4	NUT, Hex ESNA, 1/4-20	
10	1921319	3	WASHER, Plain 1/4 Black (Min 1 Required for Export)	
11	1707540A	1	ARM ASSEMBLY, Mower	
12	1913744	3	JAMNUT, Hex, 3/8-16	
13	1671260	1	SPACER	
14	1707280A	1	TRUNNION	
15	1655651	2	PIN, Locking	
16	1709209A	2	BAR, Mower Transport	
17	1931352	2	CARRIAGE BOLT, 3/8-16 x 1-1/2	
18	1960074	2	PIN, Retaining	
19	1960223	2	CARRIAGE BOLT, 5/15-18 x 1-1/4	
20	1704716	2	SPACER	
21	1704873	1	CLAMP	
22	1921319	3	WASHER, Plain (1 Required for Export)	
23	1700692	2	SPACER (Export)	
24	1960518	2	PUSHNUT, 1/4	
25	1718611	1	PLUG, Hole	
26	1708250A	2	PLATE, Pivot Support	
28	2172622	2	BOLT, Shoulder	
29	7091587	2	WASHER, Flat	Was 1924361
30	1708519A	2	SUPPORT ASSEMBLY, Roller	
31	1928352	2	NUT, Hex, Flange, Whizlock, 3/8-16	
32	1704082	2	NUT, Adjustment	
33	1924366	4	WASHER, Plain, 21/32 x 1-1/8 x 7/64	
34	1668487	2	ROLLER	
35	1960020	2	WASHER, 21/32 x 1-1/8 x 1/16	
36	2153124	2	RING, Retaining	
37	7091541	4	CAPSCREW, Taptite, 5/16-18 x 3/4	Was 1664847
38	1709282A	1	PLATE, Discharge (30 Mulcher)	

### Footnotes:

# 30" Mower Deck - Housing & Height Adjustment



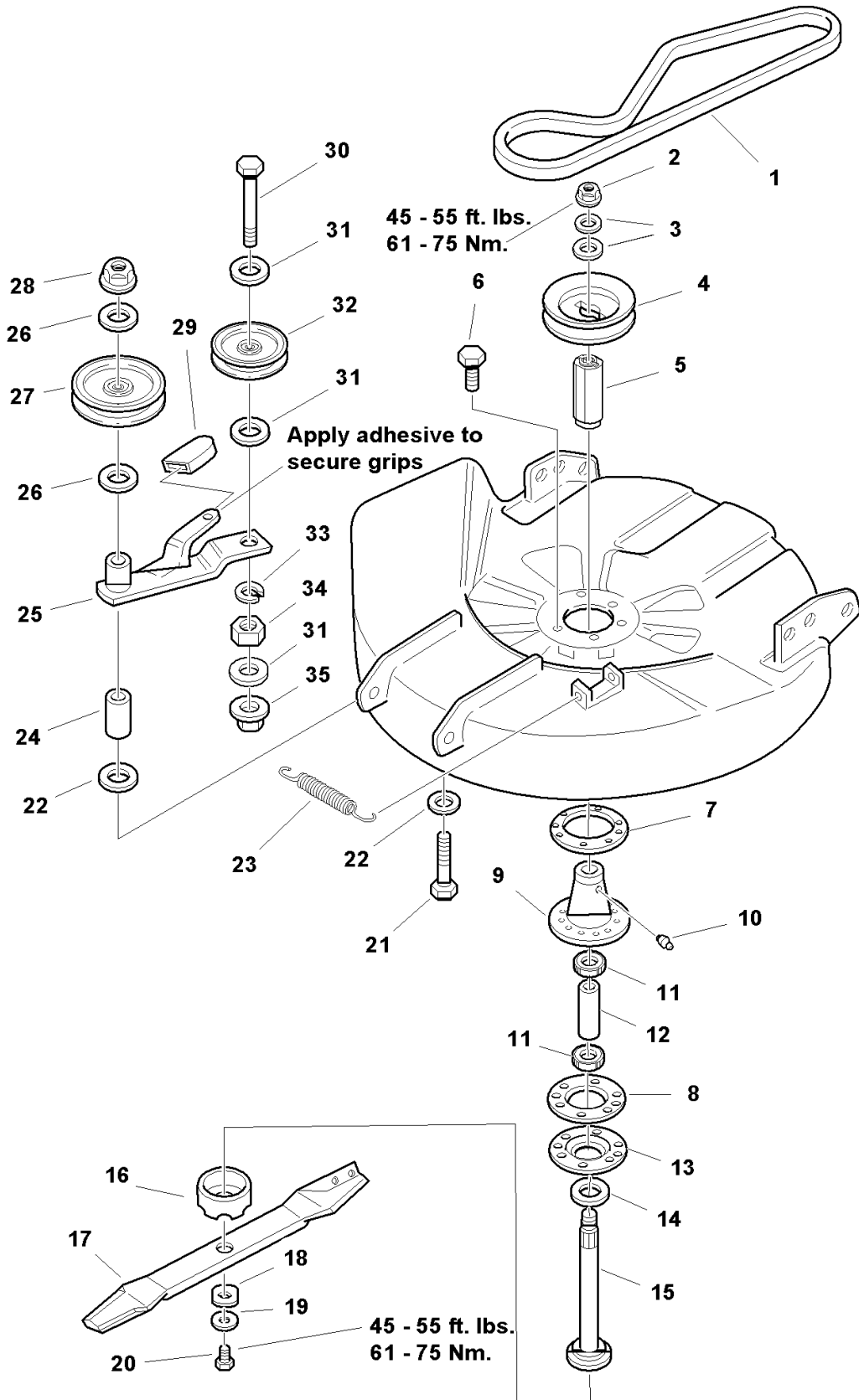
## 30" Mower Deck - Housing & Height Adjustment

---

Item	Part No	Qty	Description	Note
39	1931333	2	CARRIAGE BOLT, 5/16-18 x 3/4, G5	
40	1921968	2	CAPSCREW, Hex, 3/8-16 x 1 3/8	
41	1732443	1	SPACER	
42	1715759	1	ROD, Latch, Hitch	
43	1707432A	1	HITCH ASSEMBLY	
44	7091304	1	CAPSCREW, Hex Head, 3/8-16 x 1	Was 1921210
45	2156302	1	SPRING	
46	1931317	2	CARRIAGE BOLT, 1/4-20 x 3/4	
47	1931320	2	CARRIAGE BOLT, 1/4-20 x 1-1/4 (Export)	
48	1664947	1	ROD, Deflector	
49	1705449	1	DEFLECTOR, Plastic	
50	7090122	2	WASHER, Flat 3/8 (Domestic Only)	Was 1924940

### Footnotes:

**30" Mower Deck - Drive & Arbor**

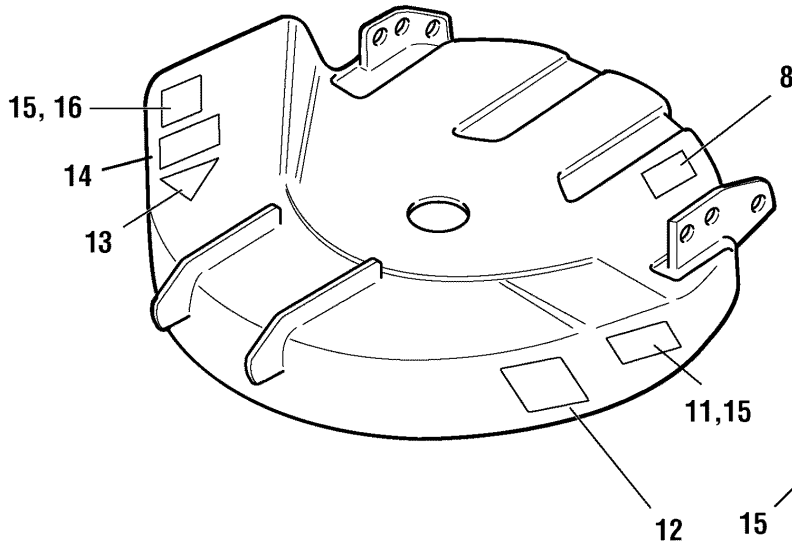
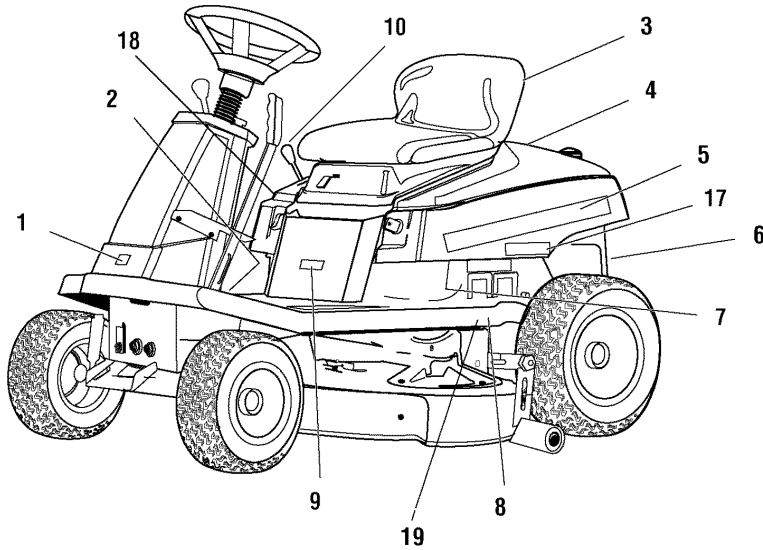


## 30" Mower Deck - Drive & Arbor

Item	Part No	Qty	Description	Note
1	1719746	1	V-BELT (HA 73.24 Aramid)	
2	1714419	1	NUT, Hex Flange, 9/16-18	
3	1713675	2	WASHER, Belleville	
4	1713092	1	PULLEY	
5	1713613	1	HUB, Pulley, 1-3/16	
6	1960373	6	CAPSCREW, Hex Head, Taptite, 5/16-18 x 1	
7	1677274A	1	ADAPTER, Arbor	
8	1707335	1	GASKET, Foam	
9	1713338A	1	HOUSING ASSEMBLY, Arbor Bottom, w/Lube Fitting	
10	1704314	1	FITTING, Grease	
11	1705897	2	BEARING	
12	1732543	1	SPACER	
13	1713199A	1	COVER, Arbor Housing	
14	1713619	1	WASHER, Cupped	
15	1713609	1	SHAFT, Arbor, 5-53/64	
16	1713196	1	SHIELD, Grass, Lower	
17	1664019A	1	BLADE, Mower, 30	
18	1713089	1	WASHER, Hex	
19	1656916	1	WASHER, Spring	
20	2823471	1	CAPSCREW, Hex Head, 7/16-14 x 1, GR 8	
21	1923903	1	CAPSCREW, Hex Head, 3/8-16 x 3	
22	1924356	2	WASHER, Flat, 3/8 x 1-1/2 x 1/8	
23	1715435	1	SPRING	
24	1669105	1	SPACER	
25	1708562	1	LEVER ASSEMBLY	
26	7090122	2	WASHER, Plain, 3/8	Was 1924940
27	1707435	1	PULLEY ASSEMBLY Idler, Fixed, 6 Dia.	
28	1928352	1	NUT, Hex, Whizlock, 3/8-16	
29	1665835	1	GRIP, Lever	
30	1923701	1	CAPSCREW, Hex Head, 3/8-16 x 2	
31	1922755	3	WASHER, 13/32 x 1 x 1/8	
32	1704926	1	IDLER PULLEY, Backside	
33	3031008	1	LOCKWASHER, 3/8	Was 1916965
34	3031009	1	NUT, Hex, 3/8	Was 1916950
35	1928731	1	NUT, Hex, Lock, 3/8-16	

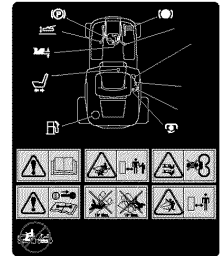
### Footnotes:

(Includes Ref. No. 10)



NORTH AMERICAN MODELS

CE MODELS



2

2



6



18



8

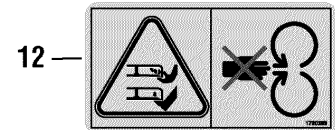
5 — **SNAPPER**

17 — **RT1330**

9 — **13hp**



13



12



15



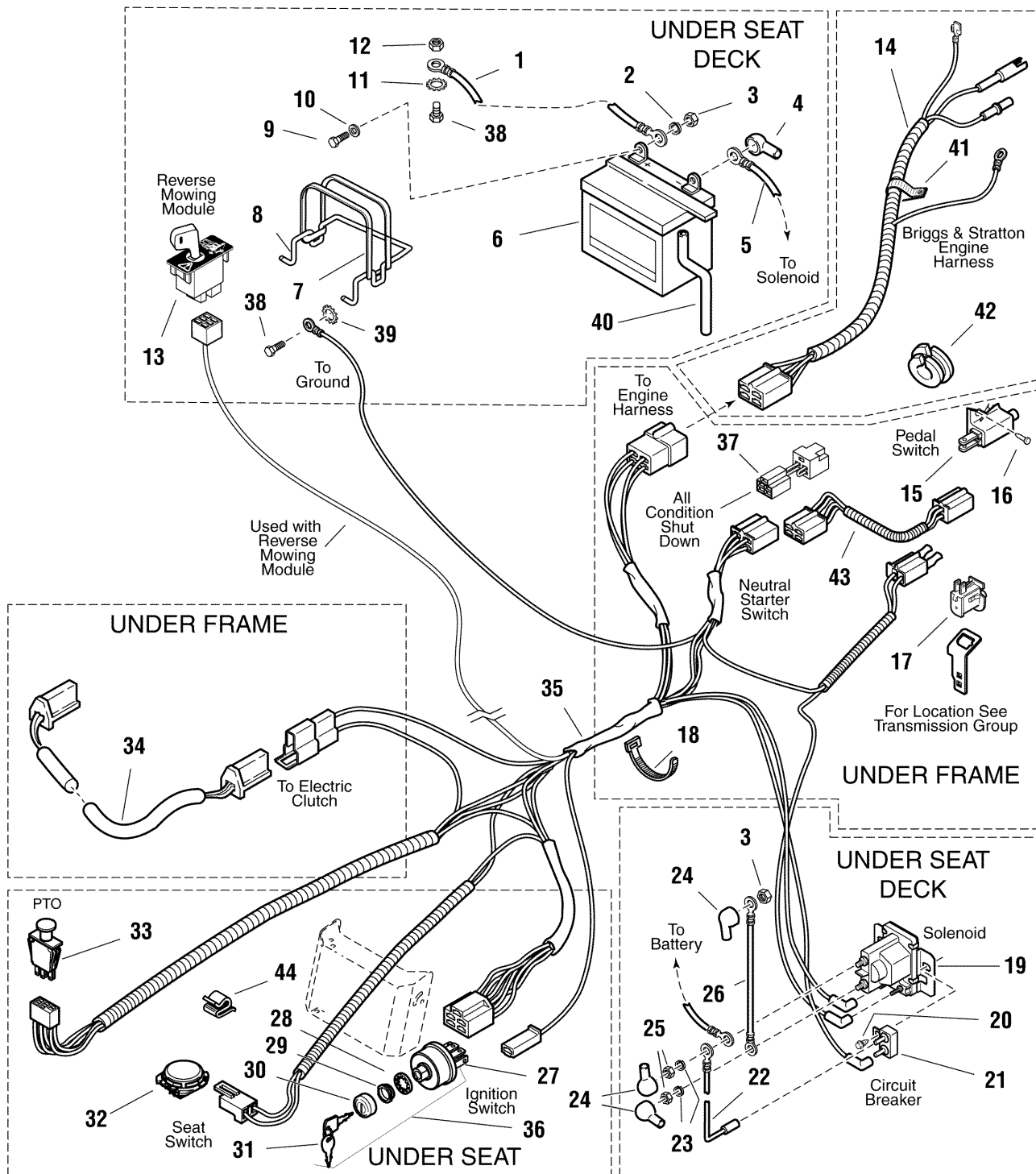
16

## Decals Group

Item	Part No	Qty	Description	Note
1		1	* DECAL, C E, (Export Only)	
2	1726336	1	DECAL, Operating Instruction, English	
2	1726347	1	DECAL, Operating Instruction (CE/Export Only)	
2	1726957	1	DECAL, Operating Instructions, Export	
3	1708927	1	DECAL, USA (Seat Back) (CE/Export Only)	
4	1726335	1	DECAL, Belt & Blade Replacement	
5	7073905	2	DECAL, Snapper Logo	
6	1726341	1	DECAL, Transmission Release (Hydro models only)	
7	1725072	1	DECAL, Touch-up Pain, Red & Gray	
8		1	* I.D. PLATE (Not Serviced)	
9	1722778	1	DECAL, 13 HP	
10	1714435	1	DECAL, Throttle / Choke	
10	1719183	1	DECAL, Throttle	
11	1722771	1	DECAL, Free Floating Mower	
12	1704276	1	DECAL, Danger, Rotating Cutting Blade	
13		1	* DECAL, OPEI, (Not Serviced)	
14	1722785	1	DECAL, Cutting Width - 30 , Silver on Black	
15	1720389	2	DECAL, Danger, Rotating Blades (CE/Export Only)	
16	1704277	1	DECAL, Danger, Chute In Place	
17	1726337	2	DECAL, Model RT1330	
18	1722806	1	DECAL, Ignition Switch	
19		1	* DECAL, Decibel, Power Mass (CE/Export Only)	

### Footnotes:

Note\* Not a servicable part.





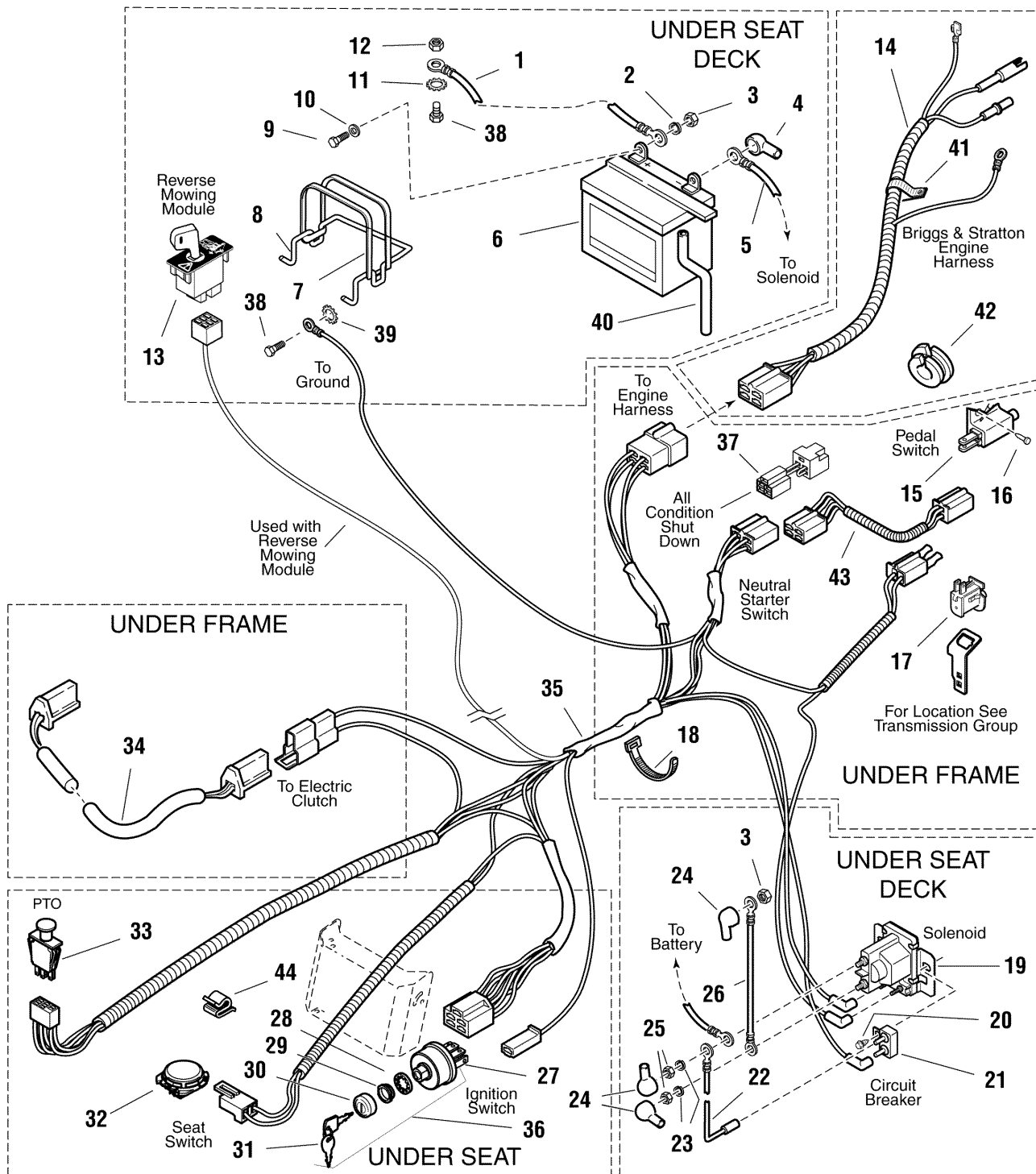
## Electrical Group

Item	Part No	Qty	Description	Note
1	1713163	1	CABLE, Battery to Ground	
2	2816964	2	WASHER, Lock, 1/4	
3	2816622	3	NUT, Hex 1/4-20	
4	1677296	1	BOOT, Insulator	
5	1713163	1	CABLE, Battery to Solenoid (Briggs & Stratton Models)	
6	1685215	1	BATTERY	
7	1665872	1	STRAP, Battery	
8	1667805	1	BRACE, Battery	
9	2823341	2	CAPSCREW, Hex Head, 1/4-20 x 3/4	
10	2821319	2	WASHER	
11	2820427	1	WASHER, Lock, External Tooth, 3/8	
12	2816950	1	NUT, Hex, 3/8-16	
13	1726556	1	MODULE, Reverse Mowing	
14	1718948	1	WIRE ASSEMBLY, Harness to Engine (Briggs & Stratton Only)	
15	1717050	1	SWITCH, Neutral Start	
16	1722035	2	POP-RIVET	
17	1732004	1	SWITCH, Push Button (N.O.)	
18	2825094	2	TIE, Self-Locking	
19	1686981	1	SOLENOID	Was 1724815
20	1925003	2	CAPSCREW, Hex Head, Taptite, 1/4-20 x 1/2	
21	1665238	1	CIRCUIT BREAKER	
22	1665237	1	WIRE ASSEMBLY	
23	2820426	1	LOCKWASHER, 5/16 Yellow	
24	2122023	3	COVER, Terminal	
25	2820263	2	NUT, Hex, 5/16-24	
26	1709088	1	CABLE, Solenoid to Starter	
27		1	** SWITCH, Ignition (6 pole)	
28	1960547	1	WASHER, Internal Tooth, 5/8	
29	1717549	1	NUT	
30	1717550	1	COVER, Keyswitch	
31	1717163	1	KEYS (Set of 2 Keys)	
32	1714771	1	SWITCH, Seat	
33	1722887	1	* SWITCH, PTO, Electric Clutch	
34	1726667	1	WIRE HARNESS, Clutch	
35	1718946	1	HARNESS, Wiring (No Reverse Mowing Option)	
35	1726654	1	HARNESS, Wiring (With Reverse Mowing Option)	

### Footnotes:

Note\* If connection blades do not line up use 1686620 Switch

Note\*\* See reference number 41. Sold as assembly.



## **Electrical Group**

---

<b>Item</b>	<b>Part No</b>	<b>Qty</b>	<b>Description</b>	<b>Note</b>
36	1686734	1	IGNITION KEY SWITCH ASSEMBLY	
37	1734025	1	WIRING ASSEMBLY, All Conditions Shutdown	<i>(CE/Export)</i>
38	2823341	2	CAPSCREW, Hex head 1/4-20 x 3/4	
39	7090395	1	WASHER, Lock, External Tooth, 5/16	<i>Was 920426</i>
40	1612103	1	TUBE, Vent (Early Models Only)	

### **Footnotes:**

Note\* If connection blades do not line up use 1686620 Switch

Note\*\* See reference number 41. Sold as assembly.





*Parts Manual for*

# **SNAPPER®**

## **REAR ENGINE RIDER HYDRO DRIVE RT RMO ACS SERIES 0**

IT IS THE POLICY OF BRIGGS & STRATTON CORP TO IMPROVE ITS PRODUCTS WHENEVER IT IS POSSIBLE AND PRACTICAL TO DO SO. WE RESERVE THE RIGHT TO MAKE CHANGES OR ADD IMPROVEMENTS AT ANY TIME WITHOUT INCURRING ANY OBLIGATION TO MAKE SUCH CHANGES ON PRODUCTS

**SNAPPER®** McDonough, GA, 30253 U.S.A.