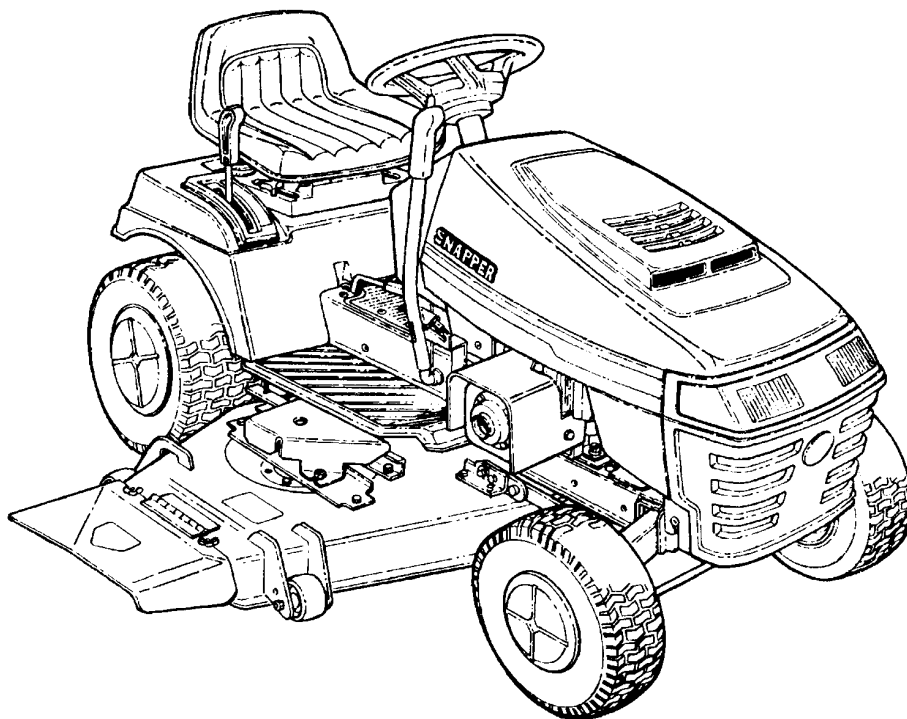


*Parts Manual for*  
**SNAPPER®**

**LAWN TRACTORS MANUAL CLUTCH  
HYDRO DRIVE  
SERIES 2**



**MODEL**

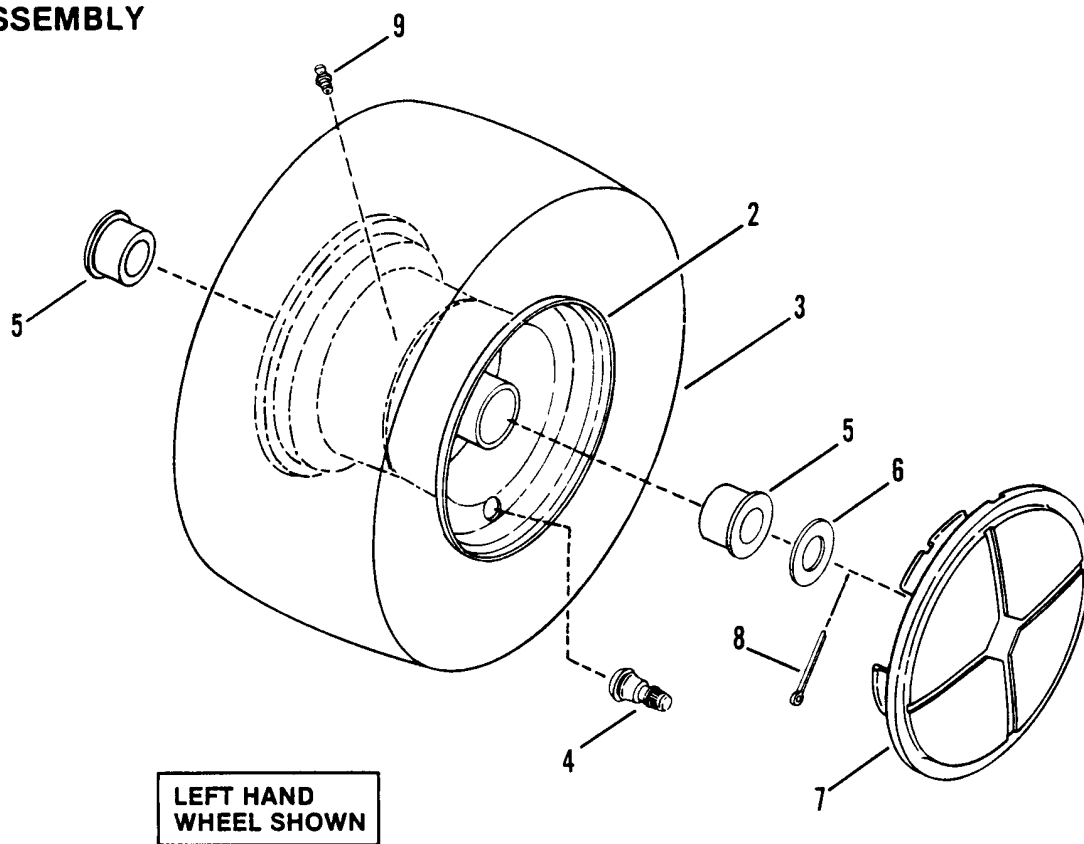
**ELT160H422BV  
LT125H382KV  
LT130H382KV  
LT140H422KV  
LT150H422KV  
LT160H422BV  
LT160H482BV  
RLT140H422KV**

**SNAPPER®** McDonough, GA, 30253 U.S.A.



<b>PAGE</b>	<b>GROUP</b>
4	Wheels - Front
6	Wheels - Rear
8	Hood, Bumper, Headlights
10	Engine, Engine Base & Drive Components (Briggs Engines)
14	Engine, Engine Base & Drive Components (Kohler Engines)
18	Steering & Front Axle Parts
22	Dash Panel, Fuel Tank, Battery (Part 1)
24	Dash Panel, Fuel Tank, Battery (Part 2)
26	Transmission Support & Components (Part 1)
28	Transmission Support & Components (Part 2)
30	Rear Fender & Components
32	Seat, Support Components
34	Clutch, Brake & Transmission
38	Transmission Group
42	Transmission - Service Parts List
44	Blade Engagement
46	Implement Lift Parts
48	38" Cutting Deck, Belts, Brakes
54	42" Cutting Deck & Components
58	Belt, Blade Brake Components (42" Deck)
60	48" Cutting Deck, Belts, Brakes
66	Spindle Assembly - 38" Cutting Deck
68	Spindle Assembly - 42" Cutting Deck
70	Spindle Assembly - 48" Cutting Deck
72	Recycling Kit For 42" Models
74	Electrical System (Briggs Engines Only)
76	Electrical System (Kohler Engines Only)
78	Illustrated Diagram Briggs Engine Models
80	Illustrated Diagram Kohler Engine Models
82	Schematic Electrical System (Briggs Engine Only)
84	Schematic Electrical System (Kohler Engines Only)

① ASSEMBLY

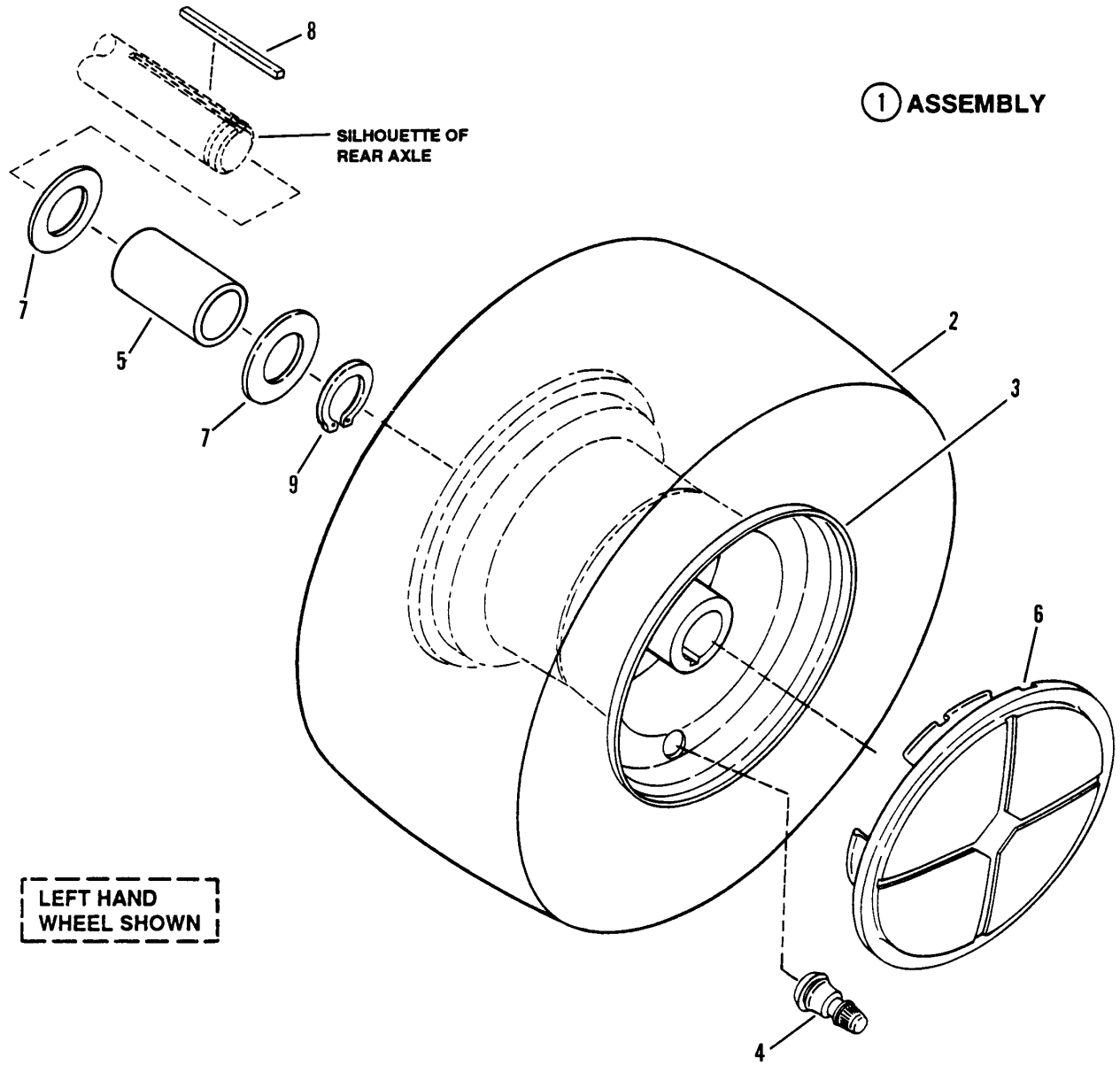


## **Wheels - Front**

---

<b>Item</b>	<b>Part No</b>	<b>Qty</b>	<b>Description</b>	<b>Note</b>
1	7058517	2	ASSEMBLY, Front Tire & Rim 15x5.50-6.00	<i>Was 53151 (Includes 2, 3, &amp; 4)</i>
2	7022772	2	RIM, 6 x 4.50	
3	7072704	2	TIRE, 15-6.00 x 6	<i>Was 26457</i>
4	7012234	2	VALVE, Air (Snap-in)	
5	7014483	4	BEARING, Wheel Flanged PM .758 ID x 1.38 OD x 1.0 L	
6	7032027	2	WASHER .77 x 1.5 x .06	
7	7019417	2	WHEEL-COVER	<i>Was 25009</i>
8	7091516	2	COTTER-PIN 5/32 x 1 YZ	<i>Was 90364</i>
9	7076998	2	FITTING, Lube 1/4-28 Tapered Thread	<i>Was 13876</i>

### **Footnotes:**



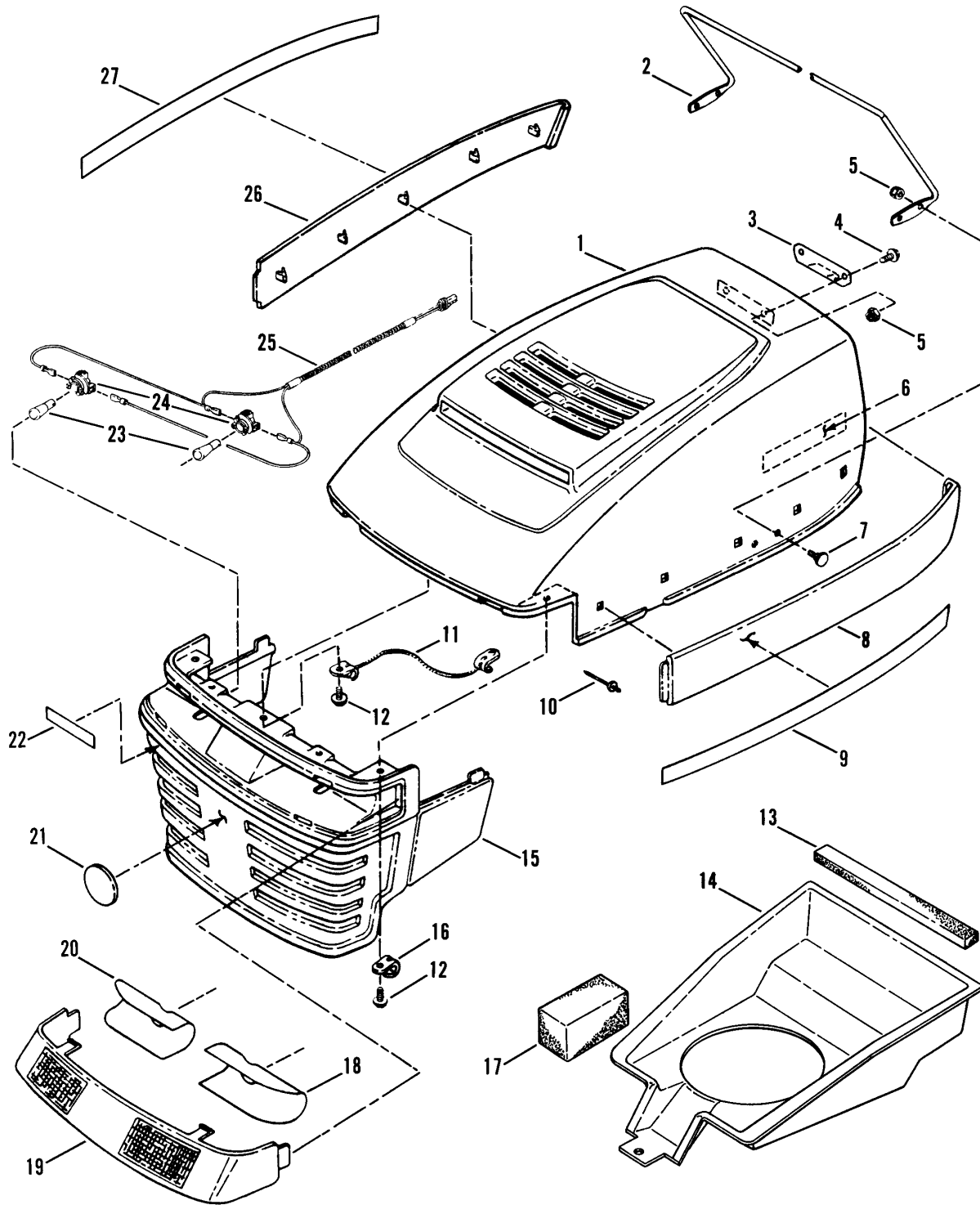
## **Wheels - Rear**

---

<b>Item</b>	<b>Part No</b>	<b>Qty</b>	<b>Description</b>	<b>Note</b>
1	7053152	2	ASSEMBLY, Rear Tire & Rim 20x10.0-8	<i>(Includes items 2, 3, &amp; 4)</i>
2	7026458	2	TIRE, 20-10.00 x 8	
3	7024454	2	RIM, Keyed 8 x 6.937 Gray	
4	7012234	2	VALVE, Air (Snap-in)	
5	7072385	2	SPACER, 3/4" x 2-1/4" O.D.	<i>Was 24858</i>
6	7019418	2	COVER, Wheel	<i>Was 25010</i>
7	7032027	4	WASHER, 3/4 Flat	
8	7017173	2	KEY, 3/16 x 2 1/2" Square	
9	7012899	2	RING, Retaining EXT .75	<i>Was 12829</i>

### **Footnotes:**

# Hood, Bumper, Headlights



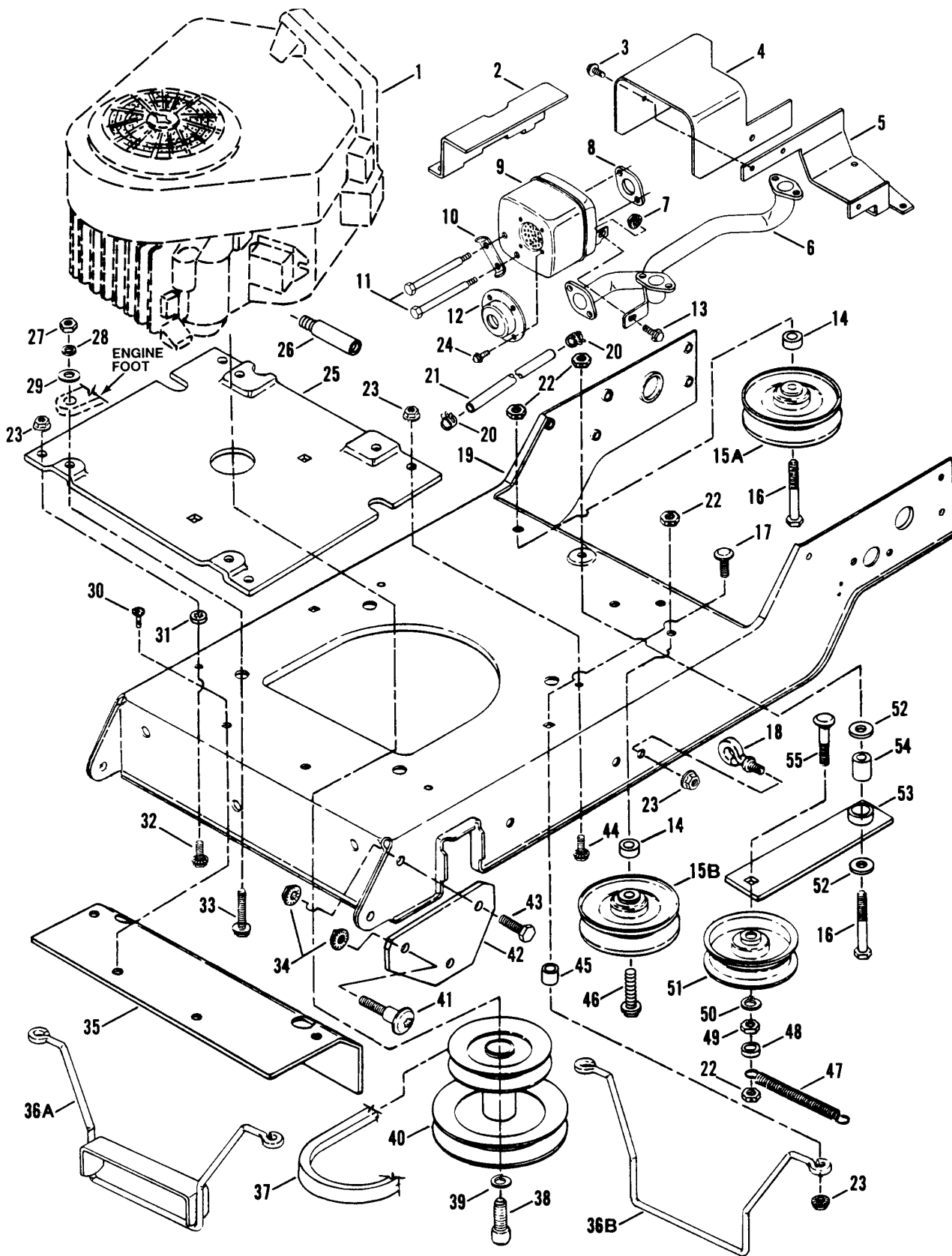


## Hood, Bumper, Headlights

Item	Part No	Qty	Description	Note
1	7063298	1	KIT, Hood Assembly, Sloped Mozart (Contains mos items on page)	Was 26406 or 61383
2	7016766	1	ROD, Hood Support	
3	7017359	1	LATCH, Spring	
4	7090999	2	SCREW, 1/4-20 x 5/8" Truss Head	
5	7076978	6	NUT, 1/4-20 Hex (Nyloc)	
6	7024984	2	LOGO - SNAPPER (Chrome)	
7	7090803	4	BOLT, 1/4-20 x 5/8" Carriage	
8		1	PANEL, Hood (Left Side) (No longer available)	Was 24474
9	7024968	1	DECAL, Hood LX130H (Left Hand)	
9	7024970	1	DECAL, Hood LX150H (Left Hand)	
9	7024974	1	DECAL, Hood RX150H (Left Hand)	
9	7024972	1	DECAL, Hood LX170H (Left Hand)	
10	7091095	2	RIVET, 1/8" Pop	
11	7026476	1	LANYARD, Hood 17.5"	(Briggs Engines)
11	7073446	1	LANYARD, Hood 14.5"	Was 26192 (Kohler Engines)
12	7091106	5	SCREW, M4.8 x 1.59 x 16.00mm Special	
13		1	FOAM, 1/2" x 3/4" x 14.25" (No longer available)	Was 26803
14	7026784	1	PLENUM	(Briggs 16 HP Only)
15	7029570	1	GRILLE, Hood	Was 24472
16	7026482	1	CLIP, "J"	
17	7026844	1	FOAM, 2" x 2" x 3.5"	(Briggs 16 HP Only)
18	7026180	1	DECAL, Reflect (Left Side)	
19	7024475	1	LENS	
20	7026179	1	DECAL, Reflect (Right Side)	
21	7026377	1	LOGO, Convertible (No longer available)	Was 26377
22	7024983	1	LOGO - SNAPPER, 4" (Chrome)	
23	7026172	2	BULB, Headlights 1141	
24	7024709	2	SOCKET, Headlight Bulb	
25	7026171	1	HARNESS, Headlight Wiring	
26		1	PANEL, Hood (Right Side) (No longer available)	
27	7024967	1	DECAL, Hood LX130H (Right Side)	
27	7024969	1	DECAL, Hood LX150H (Right Side)	
27	7024973	1	DECAL, Hood RX150H (Right Side)	
27		1	DECAL, Hood LX170H (Right Side)(No longer available)	Was 24971

### Footnotes:

**Engine, Engine Base & Drive Components (Briggs Engines)**



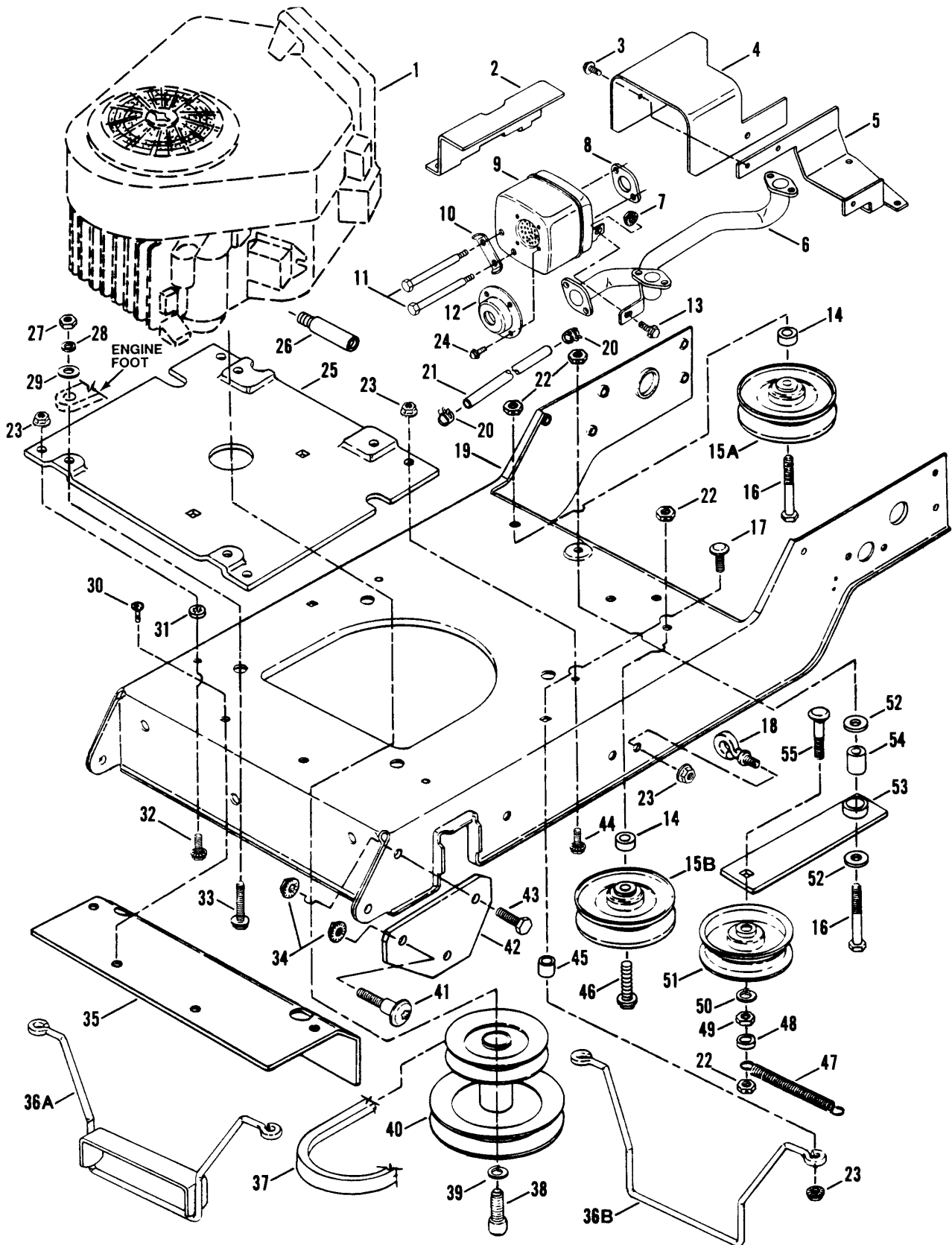
## Engine, Engine Base & Drive Components (Briggs Engines)

Item	Part No	Qty	Description	Note
1		1	ENGINE, Brigg's & Stratton, 16 HP V-Twin (B&S # 303777-0424-01)	(B&S # 303777-0424-01)
2	7033983	1	HEAT SHIELD, Manifold	
3	7091084	2	SCREW, 1/4-20 x 3/8" Self-Tapping	
4		1	HEAT SHIELD, Muffler (No longer available, try using 7034761)	Was 33970
5	7033968	1	SUPPORT, Heat Shield	
6		1	MANIFOLD, Exhaust (No longer available, try using 7041742)	Was 41514
7	7091545	1	NUT, 1/4-20 Hex Flange Lock	Was 90477
8	7014509	1	GASKET, Exhaust	
9	7024241	1	MUFFLER	
10	7024566	1	LOCK, Screw	
11	7024161	2	BOLT, 5/16C x 4.1" Hex Head Cap	
12	7026778	1	DEFLECTOR, Direct Out	
13	7091122	1	SCREW, 1/4-20 x 1/2" Hex Flange, Self-Tapping	Was 90539
14	7016719	2	SPACER .750 OD x .390 ID x .5 L	
15A	7018573	1	PULLEY, Idler, 3.56" O.D.	
15B	7011029	1	PULLEY, Idler, 4" O.D.	
16	7090629	2	BOLT, 3/8-16 x 2 1/4" Hex Head	
17	7091508	2	BOLT, 5/16-18 x 3/4" Short Neck Carriage	Was 90788
17	7091612	2	BOLT, 5/16-18 x 1 1/2" Carriage (38" Models Only)	Was 90577
18	7014438	1	EYE-BOLT	
19	7033145	1	BASE, Engine	
20	7029900	2	CLAMP, Fuel Line .490 x .31	Was 12222
21	7076532	1	LINE, Fuel 10.5" x 1/4" ID	
22	7091585	4	NUT, 3/8-16 Hex Center Lock	Was 90546
23	7091601	8	NUT, 5/16-18 Hex Flange Lock	Was 90585
24	7091581	4	SCREW, 8/18 x 1/2" Hex Head, Self-Tapping	Was 90525
25	7033896	1	SUB-PLATE, Brigg's Engine	
26		1	OIL DRAIN, Pipe 3.5" Long 1/2" ID .375 NPF (No longer available)	Was 24318
27	7091511	4	NUT, 5/16-18 Hex	Was 90196
28	7090187	4	WASHER, 5/16 Split Lock	
29	7090188	4	WASHER, 5/16 Flat	
30	7091000	4	SCREW, 5/16-18 x 7/8" Truss Head (Torx)	Was 91001
31	7011791	2	RETAINER, 5/16 Bolt	
32	7090661	2	BOLT, 5/16-18 x 1" Hex Flange Lock	
33	7091540	4	SCREW, 5/16-18 x 1 1/2" Hex Head Cap	Was 90211
34	7091619	6	NUT, 3/8-16 Hex Flange Lock	Was 90613
35		1	SUPPORT, Axle (No longer available)	Was 33100

### Footnotes:

Purchase engine & engine parts other than those listed, from engine service outlets.

**Engine, Engine Base & Drive Components (Briggs Engines)**



## **Engine, Engine Base & Drive Components (Briggs Engines)**

---

<b>Item</b>	<b>Part No</b>	<b>Qty</b>	<b>Description</b>	<b>Note</b>
36A	7041544	1	GUIDE, Belt (38" Models Only)	
36B	7019042	1	GUIDE, Belt (42" & 48" Models)	
37	7026118	1	V-BELT, Traction Drive A113.6	
38	7090836	1	SCREW, 7/16-20 x 1" Hex Cap, Socket Head	
39	7091301	1	WASHER, 7/16 Split Lock	<i>Was 90247</i>
40	7019036	1	ASSEMBLY, Engine Pulley	
41	7024061	2	SCREW, 3/8-16 x 1 1/4" Shoulder (Torx)	
42	7026281	2	BRACKET, Hood	
43	7091086	4	SCREW, 3/8-16 x 3/4" Hex Head Cap	
44	7090595	2	BOLT, 5/16-18 x 3/4" Hex Flange Lock	
45	7024802	2	SPACER, .81 OD X .48 ID x .5 L (38" Models Only)	
46	7091580	1	BOLT, 3/8-16 x 1 3/4" Hex Flange Lock	<i>Was 90701</i>
47	7027856	1	SPRING, Idler Arm	<i>Was 17807</i>
48	7014527	1	SPACER .623 OD x .38 ID x .25 L	
49	7091302	1	NUT, 3/8-16 Hex	<i>Was 90130</i>
50	7090118	1	WASHER, 3/8 Split Lock	
51	7023199	1	PULLEY, Idler, 3 3/4" O.D.	
52	7090517	2	WASHER, 3/8" Flat	<i>Was 90600</i>
53	7040565	1	ARM, Idler	
54	7044752	1	BUSHING, Idler Arm .750 OD x .406 ID x .75 L	<i>Was 22062</i>
55	7091008	1	BOLT, 3/8-16 x 2 1/2" Short Neck Carriage	

### **Footnotes:**

Purchase engine & engine parts other than those listed, from engine service outlets.



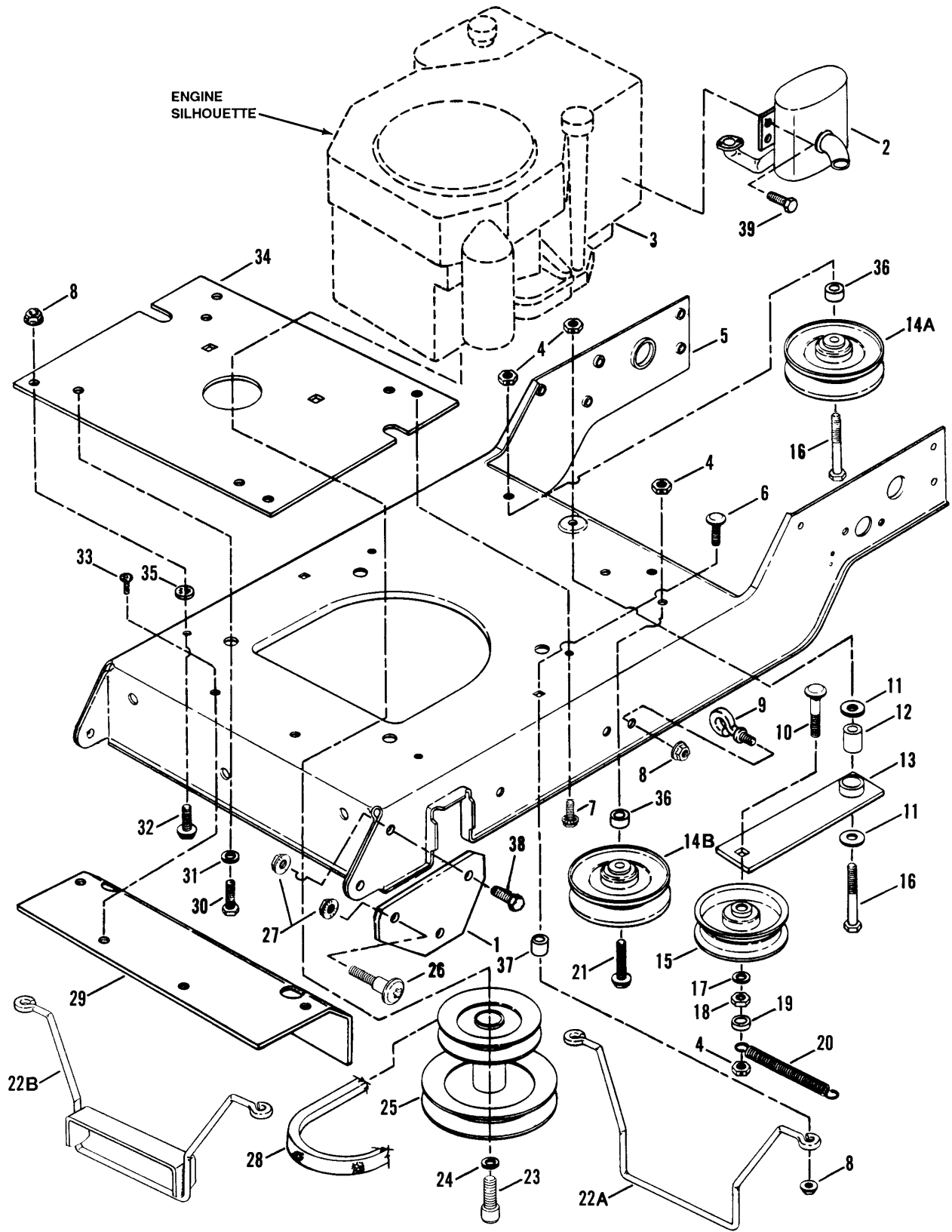
## Engine, Engine Base & Drive Components (Kohler Engines)

Item	Part No	Qty	Description	Note
		1	ENGINE, 16 HP B&S Twin Cyl. (303777-0424-01)	
1	7026281	2	BRACKET, Hood	
2	7017313	1	MUFFLER, Exhaust	
3		1	ENGINE, Kohler 12.5 HP (Kohler # CV12.5S PS1260)	
3		1	ENGINE, Kohler 14 HP (Kohler # CV14S PS-1431)	
4	7091585	4	NUT, 3/8-16 Hex Center Lock	Was 90546
5	7033145	1	BASE, Engine	
6	7091508	2	BOLT, 5/16-18 x 3/4" Short Neck Carriage	Was 90788
6	7091612	2	BOLT, 5/16-18 x 1 1/2" Carriage (38" Models Only)	Was 90577
7	7090595	2	BOLT, 5/16-18 x 3/4" Flange Lock	
8	7091601	7	NUT, 5/16-18 Hex Flange Lock	Was 90585
9	7014438	1	EYE-BOLT	
10	7091008	1	BOLT, 3/8-16 x 2 1/2" Short Neck Carriage	
11	7090517	2	WASHER, 3/8" Flat	Was 90600
12	7044752	1	BUSHING, Idler Arm .750 OD x .406 ID x .75 L	Was 22062
13	7040565	1	ARM, Idler	
14A	7018573	1	PULLEY, Idler, 3.56" O.D.	
14B	7011029	1	PULLEY, Idler, 4" O.D.	
15	7023199	1	PULLEY, Idler, 3 3/4" O.D.	
16	7090629	2	BOLT, 3/8-16 x 2 1/4" Hex	
17	7090118	1	WASHER, 318 Split Lock	
18	7091302	1	NUT, 3/8-16 Hex	Was 90130
19	7014527	1	SPACER .623 OD x .38 ID x .25 L	
20	7027856	1	SPRING, Idler Arm	Was 17807
21	7091580	1	BOLT, 3/8-16 x 1 3/4" Hex Flange Lock	Was 90701
22A	7019042	1	GUIDE, Belt (42" & 48" Models Only)	
22B	7041544	1	GUIDE, Belt (38" Models Only)	
23	7091116	1	SCREW, M10-1.50 x 25mm Hex Head Cap	
24	7091301	1	WASHER, SLW 7/16" YZ	Was 91117
25	7019036	1	ASSEMBLY, Engine Pulley	
26	7024061	2	SCREW, 3/8-16 x 1 1/4" Shoulder (Torx)	
27	7091619	6	NUT, 3/8-16 Hex Flange Lock	Was 90613
28	7026118	1	V-BELT, Traction Drive A113.6	
29		1	SUPPORT, Axle (No longer available)	Was 33100
30	7077692	4	BOLT, M8-1.25 x 25mm Hex Head	
31	7090187	4	WASHER, 5/16 Split Lock	
32	7090661	2	BOLT, 5/16-18 x 1" Hex Flange Lock	
33	7091000	2	SCREW, 5/16-18 x 7/8" Truss Head (Torx)	Was 91001

### Footnotes:

Purchase engine & engine parts other than those listed, from engine service outlets.

**Engine, Engine Base & Drive Components (Kohler Engines)**





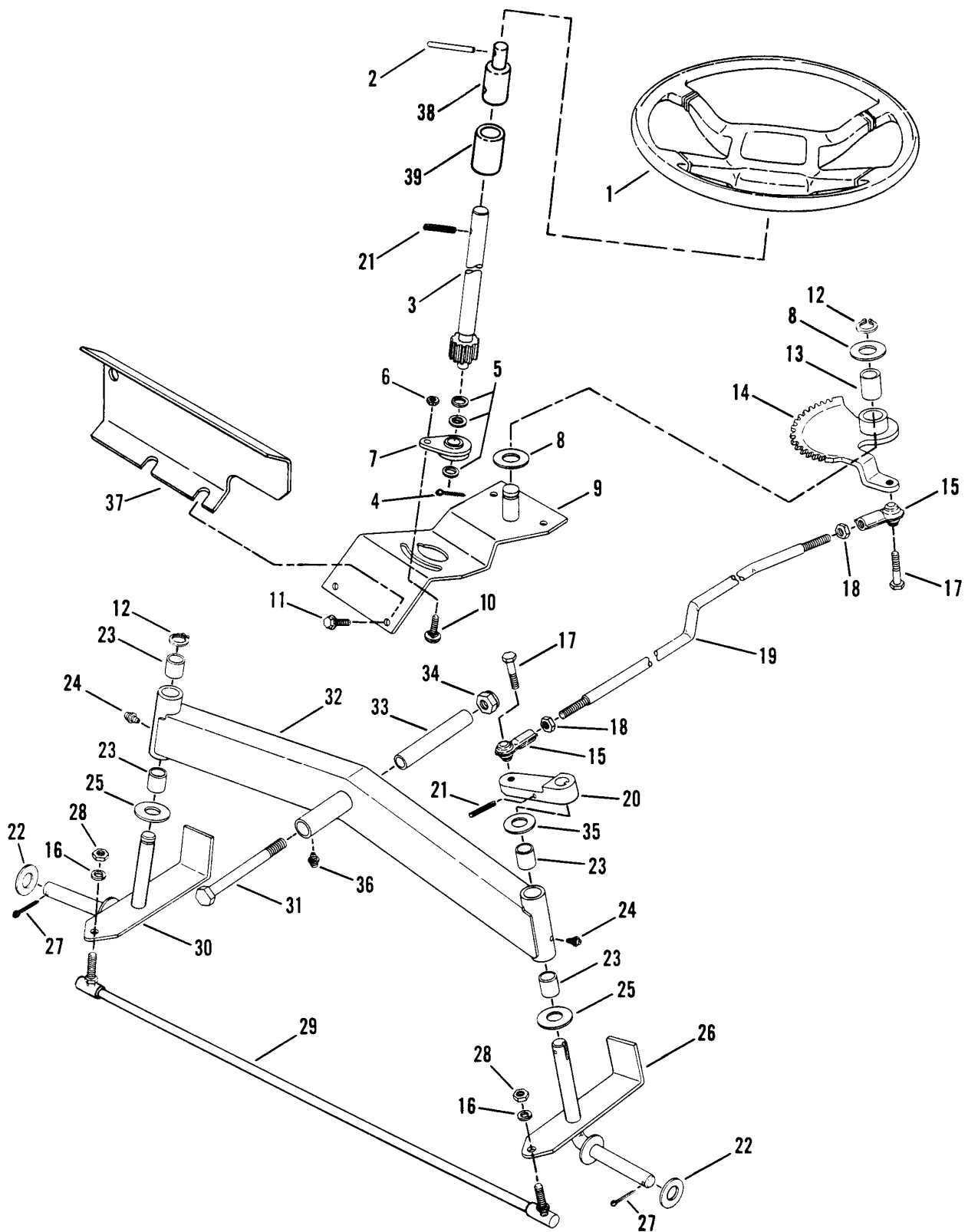
## **Engine, Engine Base & Drive Components (Kohler Engines)**

---

<b>Item</b>	<b>Part No</b>	<b>Qty</b>	<b>Description</b>	<b>Note</b>
34	7033424	1	SPACER, Kohler Engine	
35	7011791	2	RETAINER, 5/16 Bolt	
36	7016719	2	SPACER .750 OD x .390 ID x .5 L	
37	7024802	2	SPACER, .81 OD X .48 ID x .5 L (38" Models Only)	
38	7091086	4	SCREW, 3/8-16 x 3/4" Hex Head Cap	
39	7090071	2	SCREW, 1/4-20 x 1/2" Hex Head Cap, Grade 5	

### **Footnotes:**

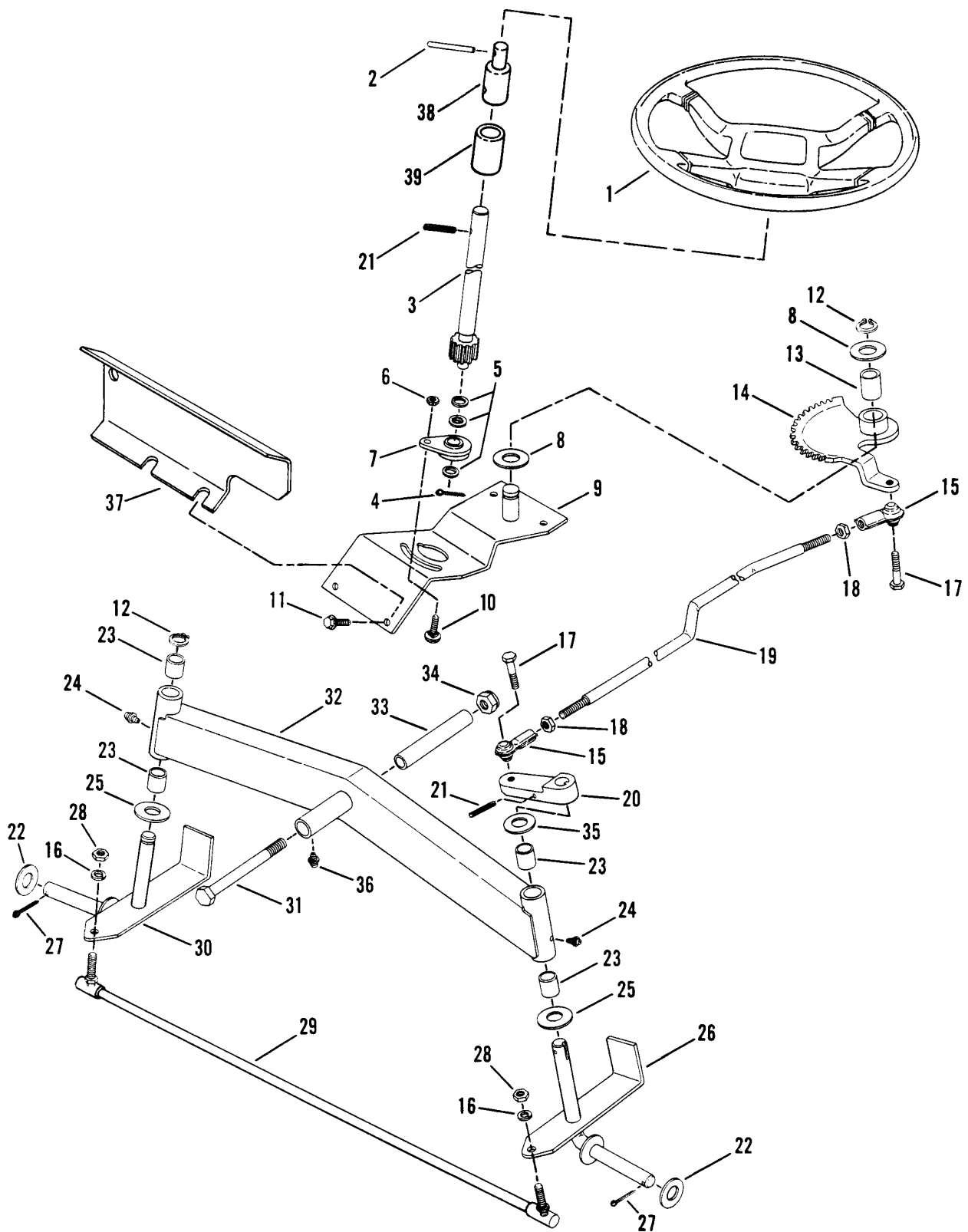
Purchase engine & engine parts other than those listed, from engine service outlets.



## Steering & Front Axle Parts

Item	Part No	Qty	Description	Note
1	7026448	1	WHEEL, Steering	
2	7012765	1	PIN, 1/4 x 2-1/4" Roll	
3	7040610	1	SHAFT, Steering	
4	7091313	1	PIN, Cotter 3/32" x 1"	Was 90038
5	7014296	3	WASHER, Shim .5 x .75 x .03	
6	7091584	1	NUT, 1/4-20 Hex Flange Lock	Was 90583
7	7052562	1	ADJUSTER, Steering	Was 51751
8	7011071	2	WASHER, Thrust	
9	7047938	1	ASSEMBLY, Steering Support	
10	7091573	1	BOLT, 1/4-20 x 5/8" Short Neck Carriage	Was 90551
11	7090361	4	SCREW, 5/16-18 x 5/8" Self-Tapping	
12	7010746	2	RING, Retaining EXT .625	
13	7015048	1	BEARING, DX, 3/4X1	
14	7051752	1	ASSEMBLY, Sector	
15	7027936	2	ROD-END, Drag Link .377 ID Ball x 3/8-24 End	Was 23200
16	7090118	4	WASHER, 3/8 Split Lock	
17	7090163	2	SCREW, 3/8-24 x 1-1/4" Hex Head Cap	
18	7090482	4	NUT, 3/8-24 Hex Jam	
19	7016062	1	DRAG-LINK	
20	7019034	1	ARM, Steering	
21	7090842	2	PIN, 1/4 x 1 1/4" Roll	
22	7032027	3	WASHER, 49/64 x 1-1/2" O.D. Flat	
23	7012706	4	BEARING, Sleeve .875 OD	
24	7013864	2	LUBE FITTING, Straight (press-fit for .187 dia. Hole)	
25	7031036	2	WASHER, Thrust	
26	7040977	1	ASSEMBLY, Spindle (Left Hand)	
27	7091516	2	PIN, 5/32 x 1" Cotter	Was 90364
28	7091630	2	NUT, 3/8-24 Hex	Was 90155
29	7017608	1	TIE-ROD	
30	7040976	1	ASSEMBLY, Spindle (Right Hand)	
31	7090993	1	SCREW, 1/2-20 x 4 1/2" Hex Head Cap	
32	7057536	1	ASSEMBLY, Front Axle	(Includes four item 23, two item 24, one item 36)
33	7022070	1	SPACER, Axle Pivot .748 OD x .508 ID x 3.77 L	
34	7090819	1	NUT, 1/2-20 Hex Lock	
35	7010935	1	WASHER .77 x 1.13 x .06	
36	7014871	1	FITTING, Lube 3/16	
37	7033264	1	HEAT SHIELD, Fuel Line	(Kohler Engines Only)

### Footnotes:



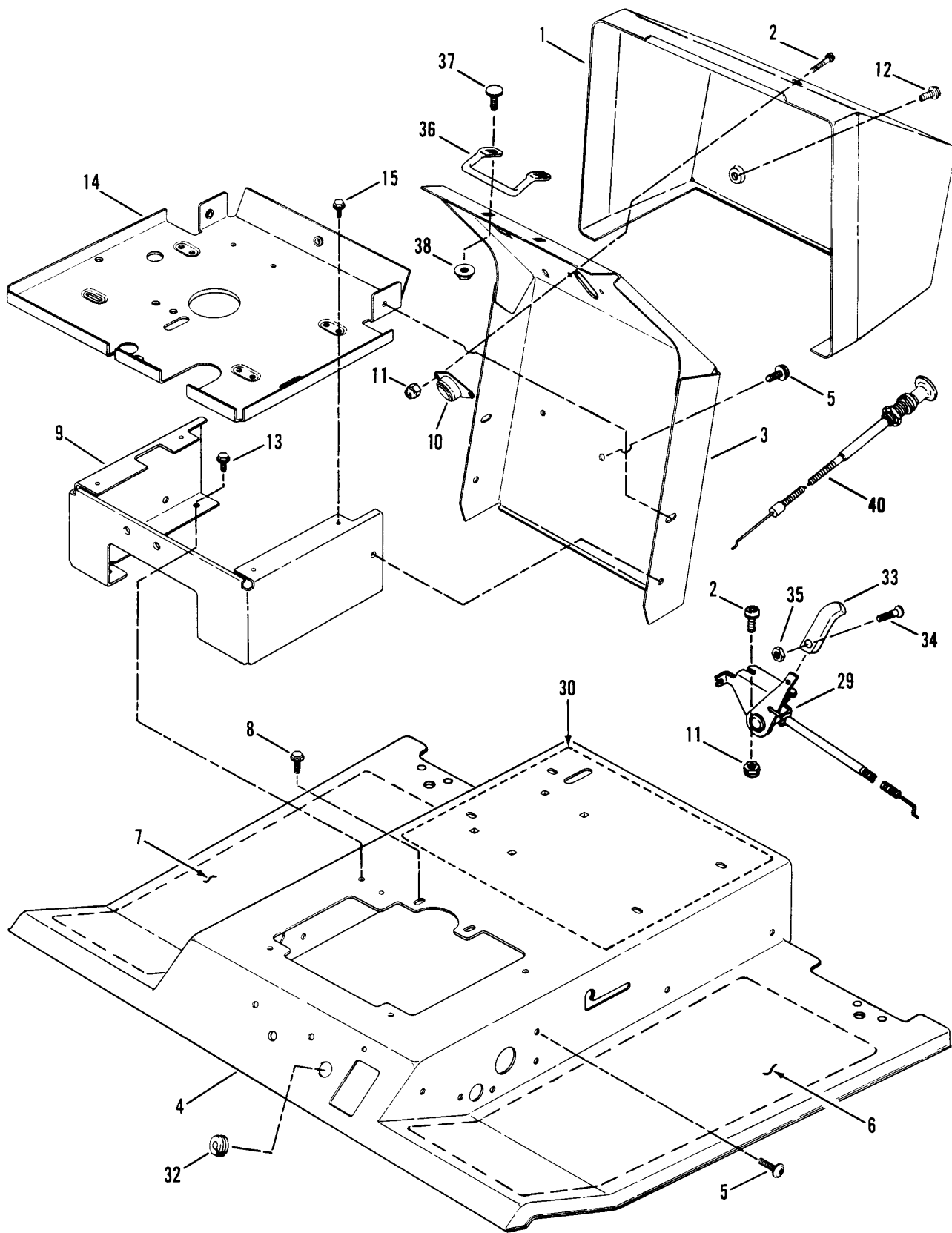
## **Steering & Front Axle Parts**

---

<b>Item</b>	<b>Part No</b>	<b>Qty</b>	<b>Description</b>	<b>Note</b>
38	7033899	1	ADAPTER, Steering Wheel	
39	7026360	1	COVER, Steering Shaft	

**Footnotes:**

**Dash Panel, Fuel Tank, Battery (Part 1)**



## ***Dash Panel, Fuel Tank, Battery (Part 1)***

---

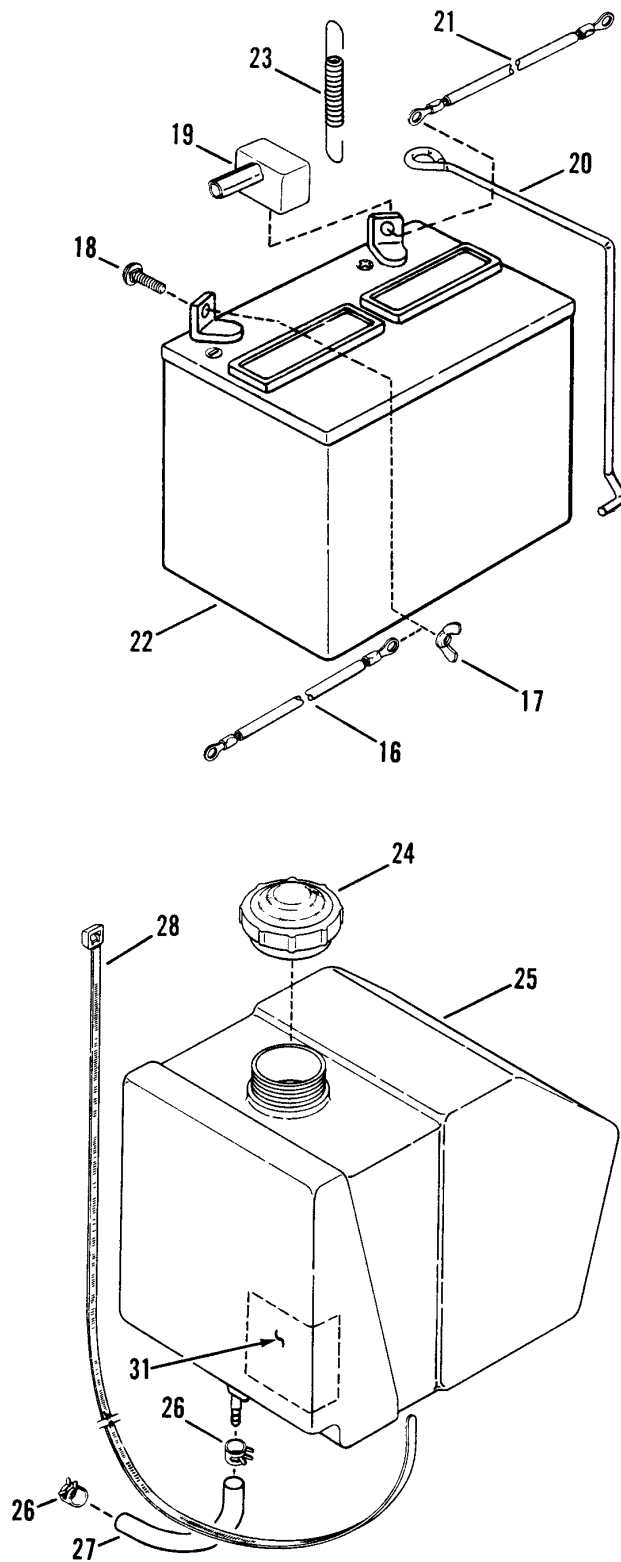
<b>Item</b>	<b>Part No</b>	<b>Qty</b>	<b>Description</b>	<b>Note</b>
1	7052685	1	PANEL, Dash	<i>Was 53007 or 53160</i>
2	7091212	4	SCREW, 1/4-20 x 1" Phillips	
3	7040734	1	SUPPORT, Steering Shaft	<i>(For Kohler Engines)</i>
3	7041548	1	SUPPORT, Steering Shaft w/choke	<i>(For Briggs Engines)</i>
4	7051915	1	CHANNEL, Foot Rest	<i>(Includes item 30)</i>
5	7091000	14	SCREW, 5/16-18 x 7/8" Self-Tapping (Torx)	<i>Was 91001</i>
6	7019400	1	TREAD, Left Side (Non-Skid)	
7	7019399	1	TREAD, Right Side (Non-Skid)	
8	7090361	2	SCREW, 5/16-18 x 5/8" Self-Tapping	
9	7033073	1	MOUNT, Fuel Tank/Battery	
10	7026196	1	FLANGE ASSM'Y., Steering Shaft .75" ID Bearing	<i>Was 23173</i>
11	7076978	4	NUT, 1/4-20 Hex	
12	7090896	2	SCREW, #10-24 x 1/2" Self-Tapping	<i>Was 90853</i>
13	7090858	4	SCREW, 5/16-18 x 1/2" Self-Tapping	
14	7033078	1	PLATE, Fuel Tank & Battery Mount	
15	7091122	4	SCREW, 1/4-20 x 1/2" Self-Tapping	<i>Was 90539</i>
29	7016824	1	CONTROL, Throttle 41.6" Long (Kohler 12.5 & 14 HP Engines)	
29	7026475	1	CONTROL, Throttle 28.0" Long (Briggs 16 HP Engines)	
30		1	DECAL, Caution & Instruction (No Longer available)	<i>Was 26335</i>
30		1	DECAL, Caution & Instruction (No Longer available)	<i>Was 27876</i>
32		1	GROMMET, 5/16 I.D. for .75 Hole (No Longer available)	<i>Was 14856</i>
33	7023655	1	HANDLE, Throttle Control	
34	7091017	1	SCREW, #8-32 x 3/8" Recessed Fillister Head	
35	7091018	1	NUT, #8-32 Hex	
36	7033828	1	ROD, Hood Latch	
37	7090803	6	BOLT, 1/4-20 x 5/8" Flat Head Carriage	
38	7091584	6	NUT, 1/4-20 Hex Flange Lock	<i>Was 90583</i>
39	7024943	1	DECAL, Dash Panel	<i>(Not Shown)</i>
39	7026699	1	DECAL, Dash Panel (For Briggs Engines)	<i>(Not Shown)</i>
40	7018674	1	CONTROL, Choke 29.1" Long (For Briggs Engines)	<i>(Not Shown)</i>

### **Footnotes:**

\* NOTE: This part may be available from DPNI 1-800-558-1848 (Todd Graff)

**Dash Panel, Fuel Tank, Battery (Part 2)**

---





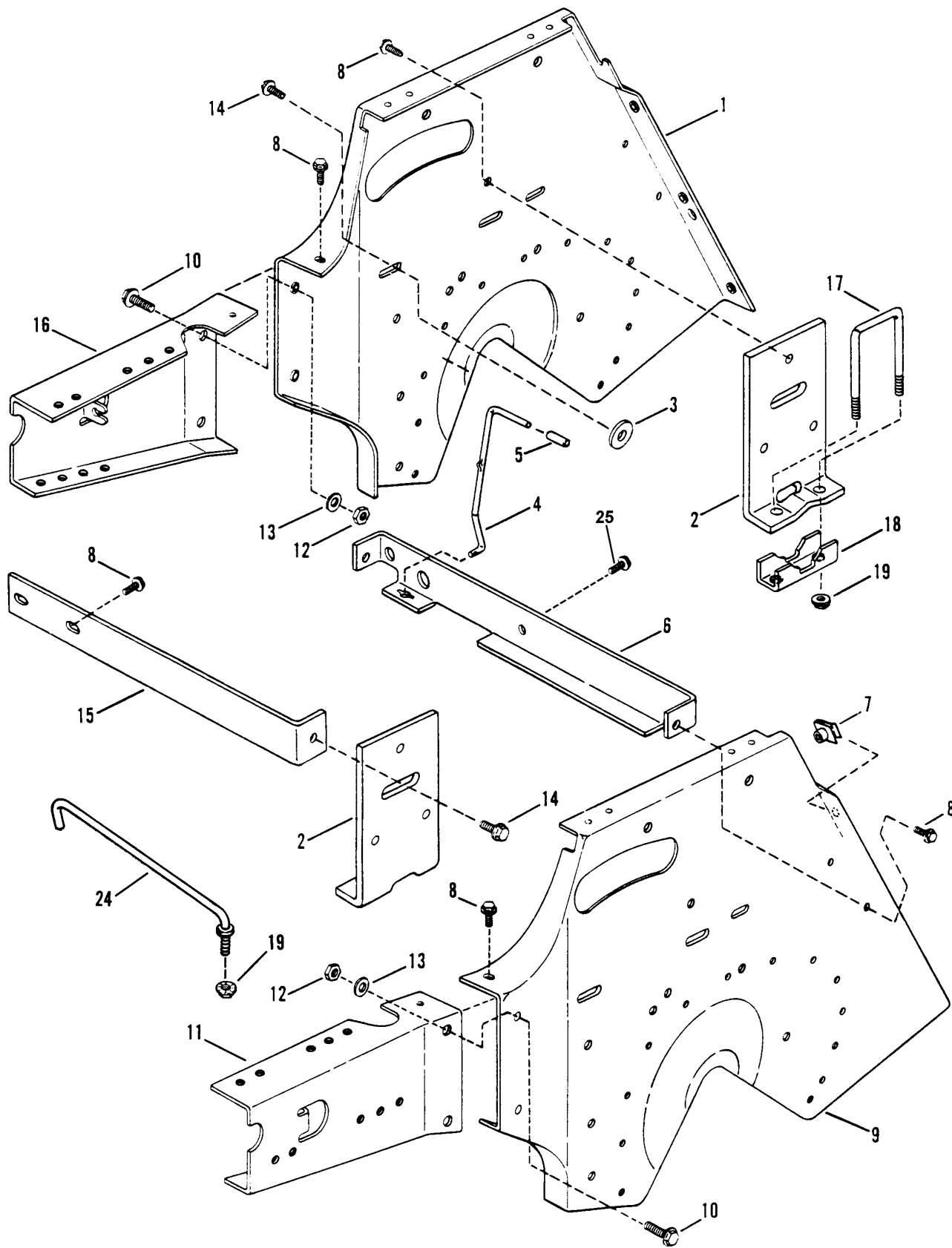
## ***Dash Panel, Fuel Tank, Battery (Part 2)***

---

<b>Item</b>	<b>Part No</b>	<b>Qty</b>	<b>Description</b>	<b>Note</b>
16	7014475	1	CABLE, Negative Terminal 15" 8 AWG Black	
17	7091568	2	WING-NUT, 1/4-20	<i>Was 90311</i>
18	7091530	2	BOLT, 1/4-20 x 3/4" Short Neck Carriage	<i>Was 90074</i>
19	7012444	1	COVER, Positive Terminal	
20	7022366	1	CLAMP, Battery	
21	7014476	1	CABLE, Positive Terminal 11" 8 AWG Red	
22	7060618	1	KIT, Battery, 12 Volt	
23	7022696	1	SPRING, Battery Bracket	
24	7012515	1	CAP, Fuel Tank	<i>Was 14363</i>
25	7052258	1	TANK, Fuel w/cap	<i>(Includes item 24)</i>
26	7029900	2	CLAMP, Fuel Line .490 x .31	<i>Was 12222</i>
27		1	LINE, Fuel (14.5" Long) (No longer available)	<i>Was 32633</i>
28	7023195	1	CABLE-TIE, Fuel Tank Hold Down	
31		1	HEAT SHIELD, Fuel Tank 3" x 5.5" (No longer available)	<i>Was 17788</i>
39	7024943	1	DECAL, Dash Panel (Not Shown)	
39	7026699	1	DECAL, Dash Panel (meter/choke) (Not Shown)	<i>(For Briggs Engines)</i>

### **Footnotes:**

**Transmission Support & Components (Part 1)**

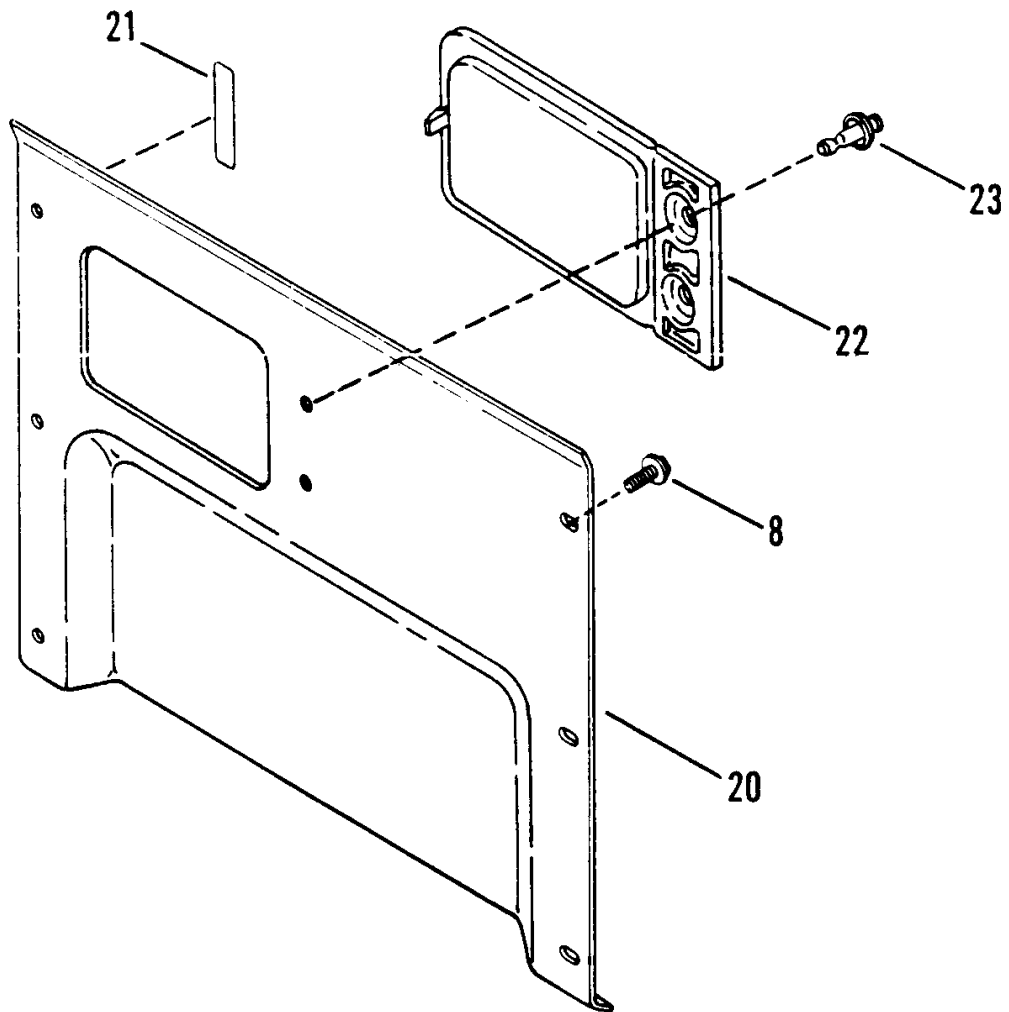


## Transmission Support & Components (Part 1)

---

Item	Part No	Qty	Description	Note
1		1	TRANSMISSION SUPPORT, R.H. (No longer available)	Was 33063
2		2	BRACKET, Transmission Mount (No longer available)	Was 33059
3	7016360	2	WASHER	
4	7017164	1	ROD, Release	
5	7023606	1	CAP, Release Rod	Was 23525
6	7033061	1	BRACE, Torque	
7	7016116	6	NUT, 5/16 Push-On	
8	7090361	14	SCREW, 5/16-18 x 5/8" Self-Tapping	
9		1	TRANSMISSION SUPPORT, L.H. (No longer available)	Was 33062
10	7027198	4	BOLT, 3/8-16 x 1" Hex Flange Lock	Was 90582
11		1	EXTENSION, Transmission Support (Left Hand)(No longer available)	Was 33300
12	7091585	4	NUT, 3/8-16 Hex Center Lock	Was 90546
13	7090122	4	WASHER, 3/8" Flat	
14	7091541	2	SCREW, 5/16-18 x 3/4" Self-Tapping	Was 90368
15		1	BRACE, Shift Bracket (No longer available)	Was 33065
16		1	EXTENSION, Transmission Support, R.H. (No longer available)	Was 35180
17	7022289	2	U-BOLT	
18	7033320	2	SADDLE, U-Bolt	
19	7091601	4	NUT, 5/16-18 Hex Flange Lock	Was 90585
24	7026321	2	SUPPORT, Footrest	
25	7091000	1	TORX, ST Bolt 5/16" C x 7/8"	

### Footnotes:



## ***Transmission Support & Components (Part 2)***

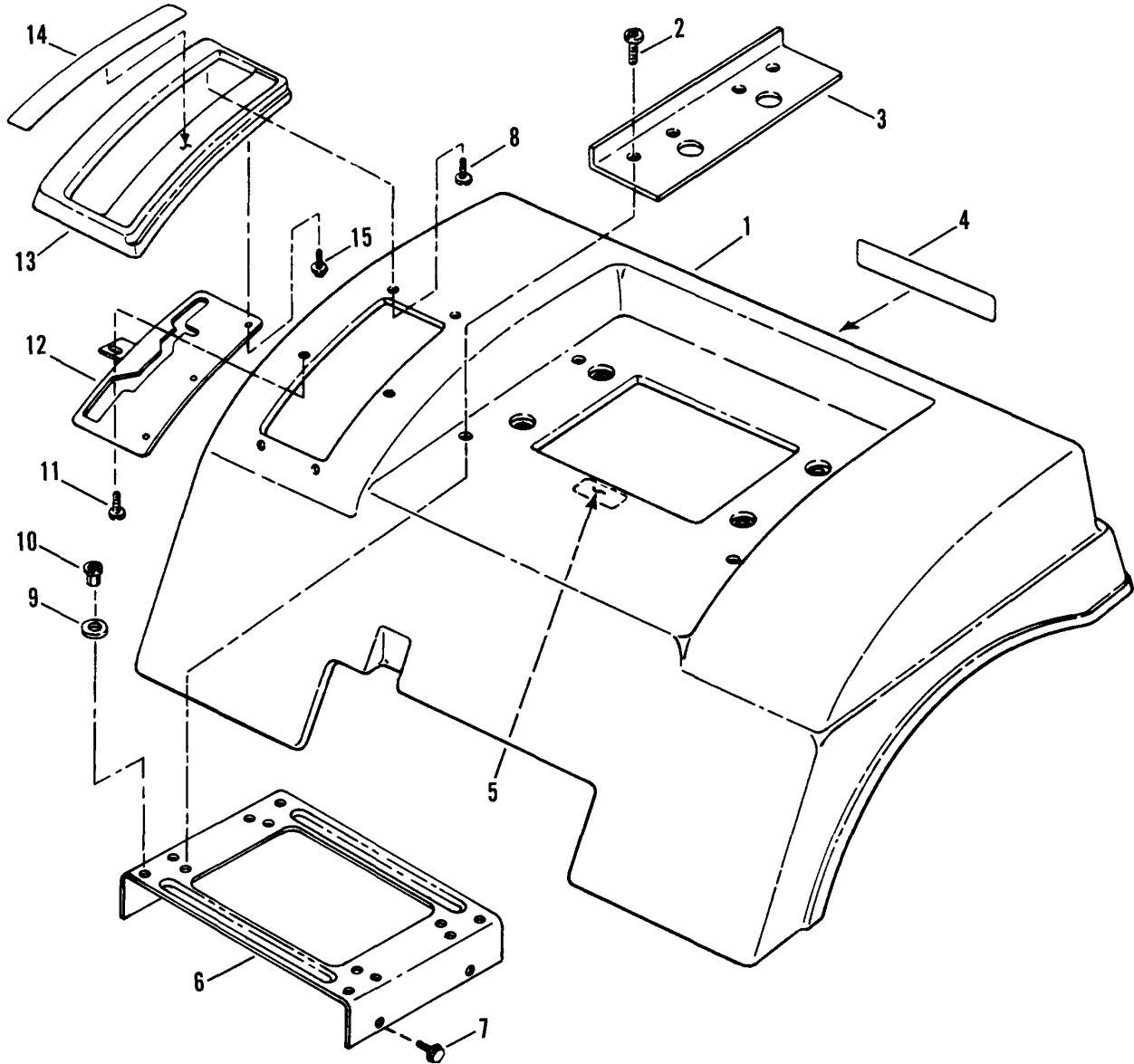
---

<b>Item</b>	<b>Part No</b>	<b>Qty</b>	<b>Description</b>	<b>Note</b>
8	7090361	14	SCREW, 5/16-18 x 5/8" Self-Tapping	
20	7033068	1	COVER, Rear	
21	7017209	1	DECAL, Roll	
22		1	COVER, Transmission Oil Access (No longer available)	<i>Was 16863</i>
23	7017327	2	SCREW, Expansion	

**Footnotes:**

## Rear Fender & Components

---

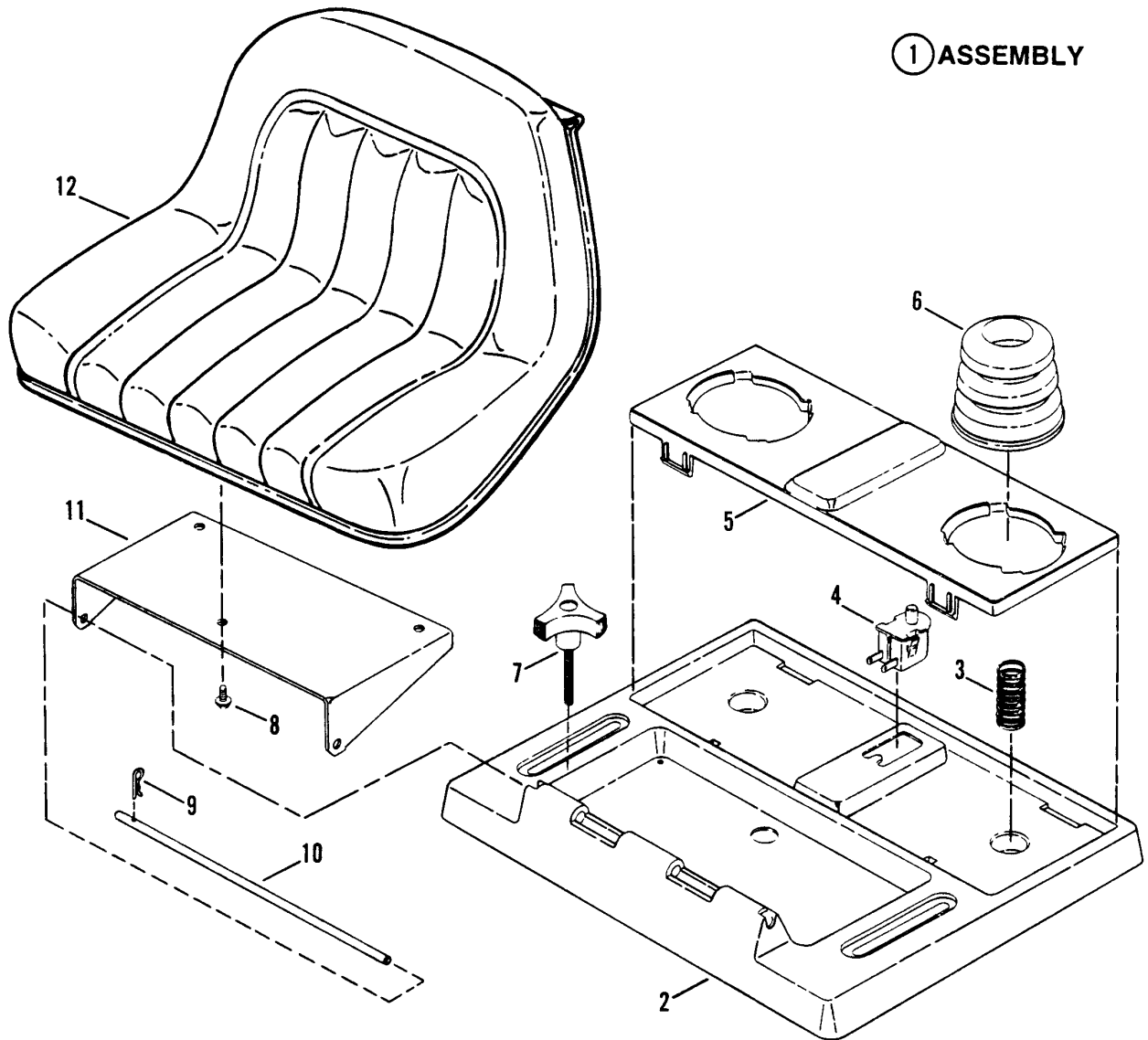


## Rear Fender & Components

---

Item	Part No	Qty	Description	Note
1	7024887	1	PAN, Seat, Fender	
2	7091000	4	SCREW, 5/16-18 x 7/8" Truss Head (Torx)	Was 91001
3	7033958	2	BRACE, Fender	
4	7024984	1	LOGO - SNAPPER, Molded (Chrome)	
5	7026415	1	DECAL - CAUTION, Battery Installation	
6		1	SUPPORT, Fender (No longer available)	Was 33787
7	7090361	8	SCREW, 5/16-18 x 5/8" Self-Tapping	
8	7091563	5	SCREW, #10-24 x 5/8" Self-Tapping	Was 91223
9	7090500	2	WASHER, SAE 7/16	Was 26187
10		2	RIV-NUT, 5/16-18 (No longer available, try using 7023193)	Was 26183
11	7091195	1	SCREW, #10-16 x 3/4" Self-Tapping	
12	7041492	1	DETENT, Gear Shift	
13	7026125	1	COVER, Shift	
14		1	DECAL, Shift Cover (Hydro)(No longer available, try using 7073424)	Was 26444
15	7091105	3	SCREW, #10-16 x 1/2" Self-Tapping	

### Footnotes:



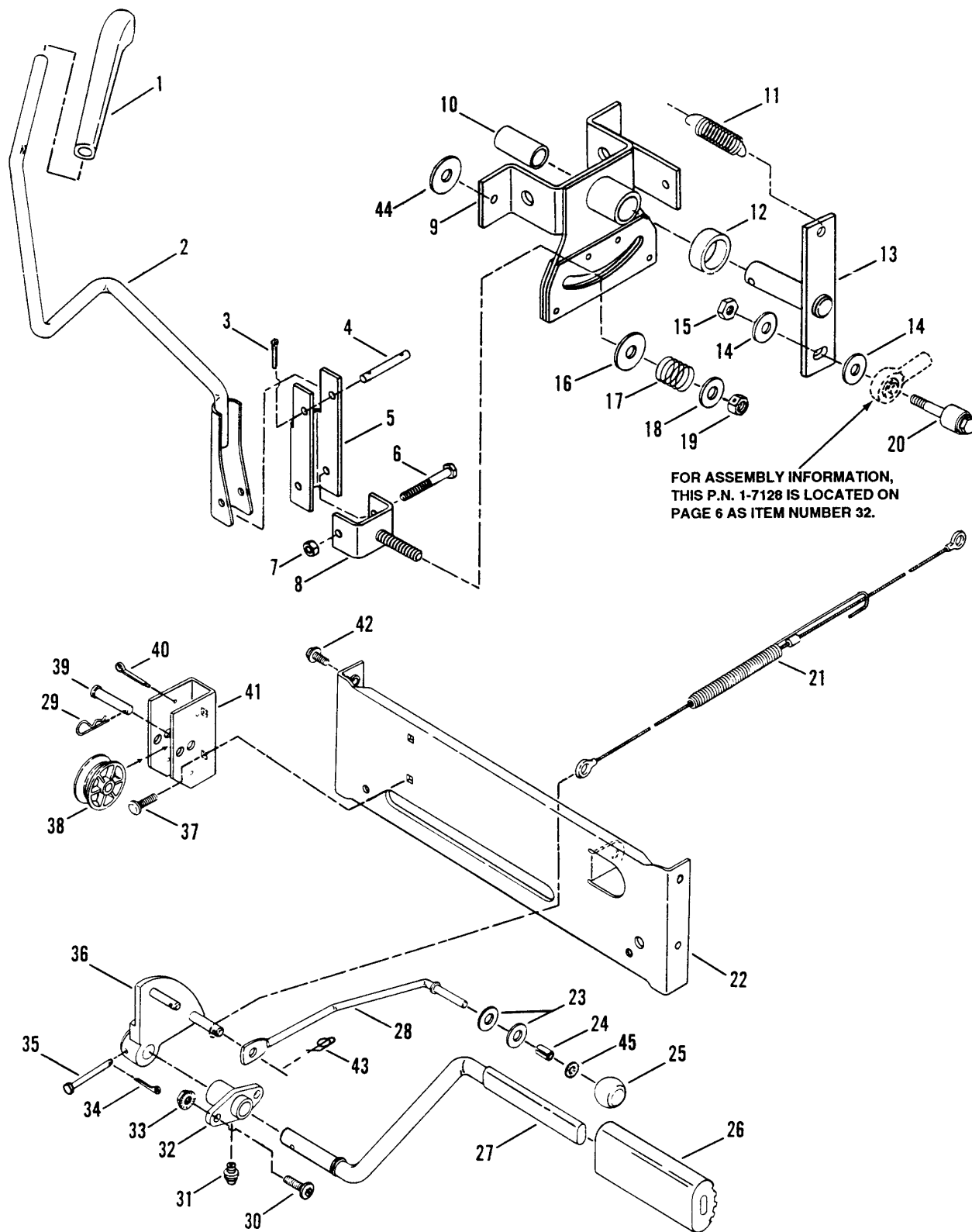


## **Seat, Support Components**

---

<b>Item</b>	<b>Part No</b>	<b>Qty</b>	<b>Description</b>	<b>Note</b>
1	7059215	1	ASSEMBLY, Seat Support (Includes 2, 4, 5, & 2 item 3)	<i>Was 52606</i>
2	7059215	1	SUPPORT, Seat	<i>Was 17852</i>
3	7073266	2	SPRING	<i>Was 22759</i>
4	7023354	1	SWITCH, Seat NC	
5	7028580	1	HOLDER, Cushion	<i>Was 17851</i>
6	7019109	2	CUSHION, Seat	
7	7017875	2	KNOB, Seat Adjustment 5/16-18MX2	
8	7090721	3	BOLT, 5/16-18 x 1/2" Hex Flange Lock	
9	7012431	1	PIN, Hair 1.12"	
10	7074452	1	ROD, Seat Hinge	<i>Was 33435</i>
11	7033318	1	BRACKET, Seat Support	
12	7028621	1	SEAT, Operator's	<i>Was 25002</i>

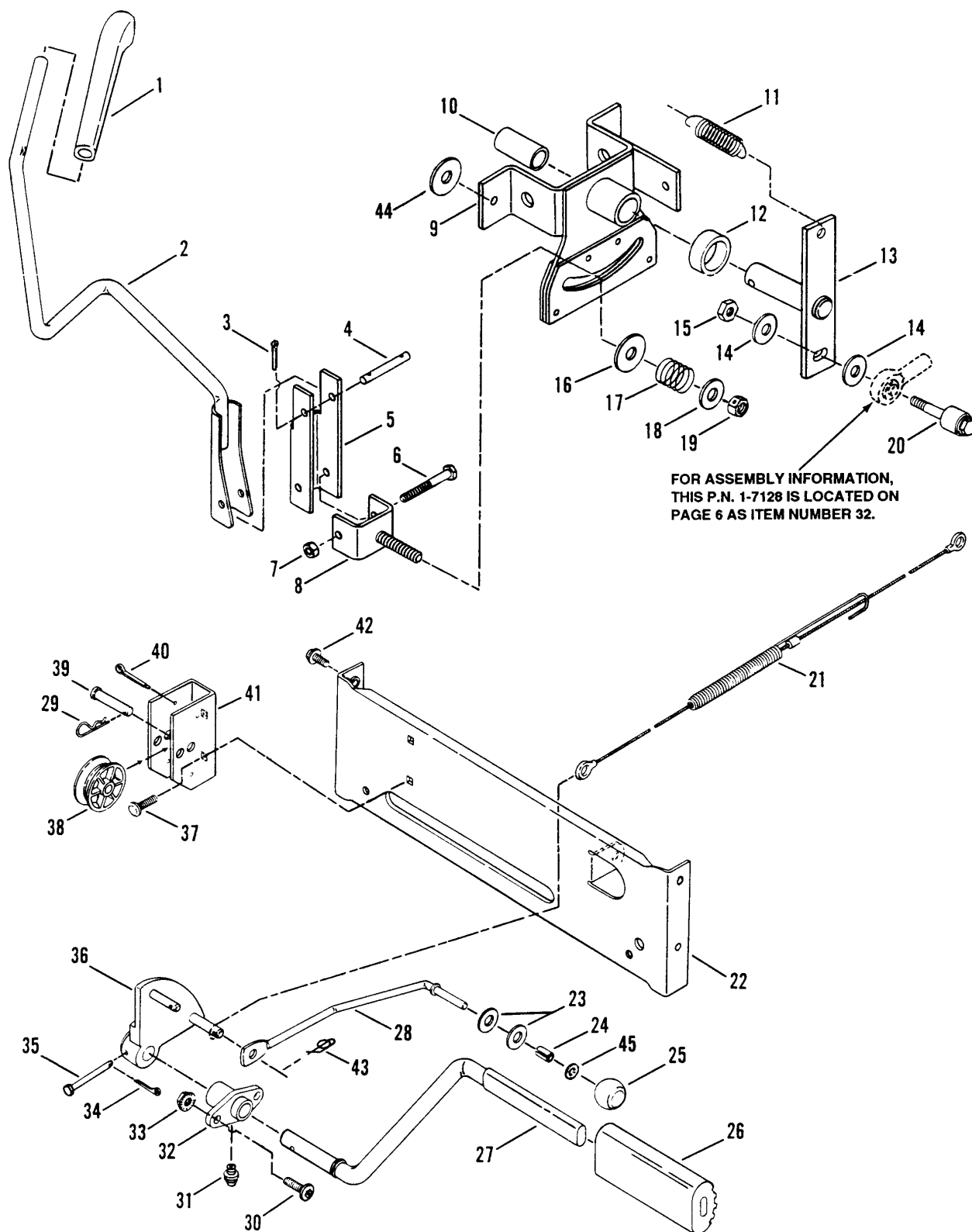
### **Footnotes:**



## Clutch, Brake & Transmission

Item	Part No	Qty	Description	Note
1	7023656	1	KNOB, Shifter (Elongated)	
2	7041399	1	SHIFTER, Transmission	
3	7091597	1	PIN, 3/32 x 3/4" Cotter	Was 90037
4	7022182	1	PIN, Shifter	
5	7033159	1	EXTENSION, Hub	
6	7090112	1	SCREW, 1/4-28 x 2" Hex Head Cap	
7	7090303	1	NUT, 1/4-28 Hex Lock	
8	7052346	1	ASSEMBLY, Rub Plate	
9	7052274	1	ASSEMBLY, Shift Pivot	
10		1	BEARING, Shift Pivot Assembly (No longer available, try using 7015048)	Was 16955
11	7017818	1	SPRING, Shift	
12	7017820	1	SPACER, 1.0 OD x .755 ID x .310 L	
13	7040704	1	CONTROL, Speed	
14	7091130	2	WASHER, 5/16 Flat	
15	7091297	1	NUT, 5/16-24 Hex	Was 90223
16	7017415	1	WASHER, Special	
17	7017416	1	SPRING, Tension	
18	7090517	1	WASHER, 3/8" Flat	Was 90600
19	7090289	1	NUT, 3/8-24 Hex Lock	
20	7017543	1	FOLLOWER, Cam	
21	7026704	1	CABLE, Clutch (23.88" Long)	
22	7032926	1	BRACE	
23	7023649	2	WASHER, Nylon 5/16"	
24	7023189	1	RING, Tolerance 5/16" x 1/2"	
25	7023188	1	KNOB, Latch 5/16"	
26	7012661	1	PAD, Pedal	
27	7017024	1	PEDAL, Clutch/Brake	
28	7019033	1	LATCH, Clutch/Brake	
29	7012431	1	PIN, 1/4 x 1 1/8" Hair	
30	7091000	2	SCREW, 5/16-18 x 7/8" Torx	
31	7014871	1	FITTING, Lube 3/16"	
32	7052431	1	PIVOT, Clutch/Brake Pedal	(Includes item 31)
33	7091511	2	NUT, 5/16-18 Hex	Was 90196
34	7091313	1	PIN, 3/32 x 1" Cotter	Was 90038
35	7023645	1	PIN, 3/16 x 1 1/2" Clevis	
36	7041309	1	BRAKE ARM	Was 41016
37	7091530	2	BOLT, 1/4-20 x 3/4" Short Neck Carriage	Was 90074

### Footnotes:



## **Clutch, Brake & Transmission**

---

<b>Item</b>	<b>Part No</b>	<b>Qty</b>	<b>Description</b>	<b>Note</b>
38	7023182	1	SPOOL, Bracket	
39	7012715	1	PIN, 3/8 x 1 9/32" Clevis	
40	7091809	1	PIN, 1/8 x 1 1/4" Cotter	<i>Was 90042</i>
41		1	BRACKET, Spool (No longer available, try modifying 7033328 to fit)	<i>Was 32694 or 33154</i>
42	7090858	4	SCREW, 5/16-18 x 1/2" Self-Tapping	
43	7091593	1	PIN, 1/16 x 1 7/32" Self-Lock Cotter	<i>Was 24159</i>
44	7090905	1	WASHER, 13/32 I.D. x 1 3/8" O.D.	
45	7011791	1	RETAINER, 5/16	

### **Footnotes:**

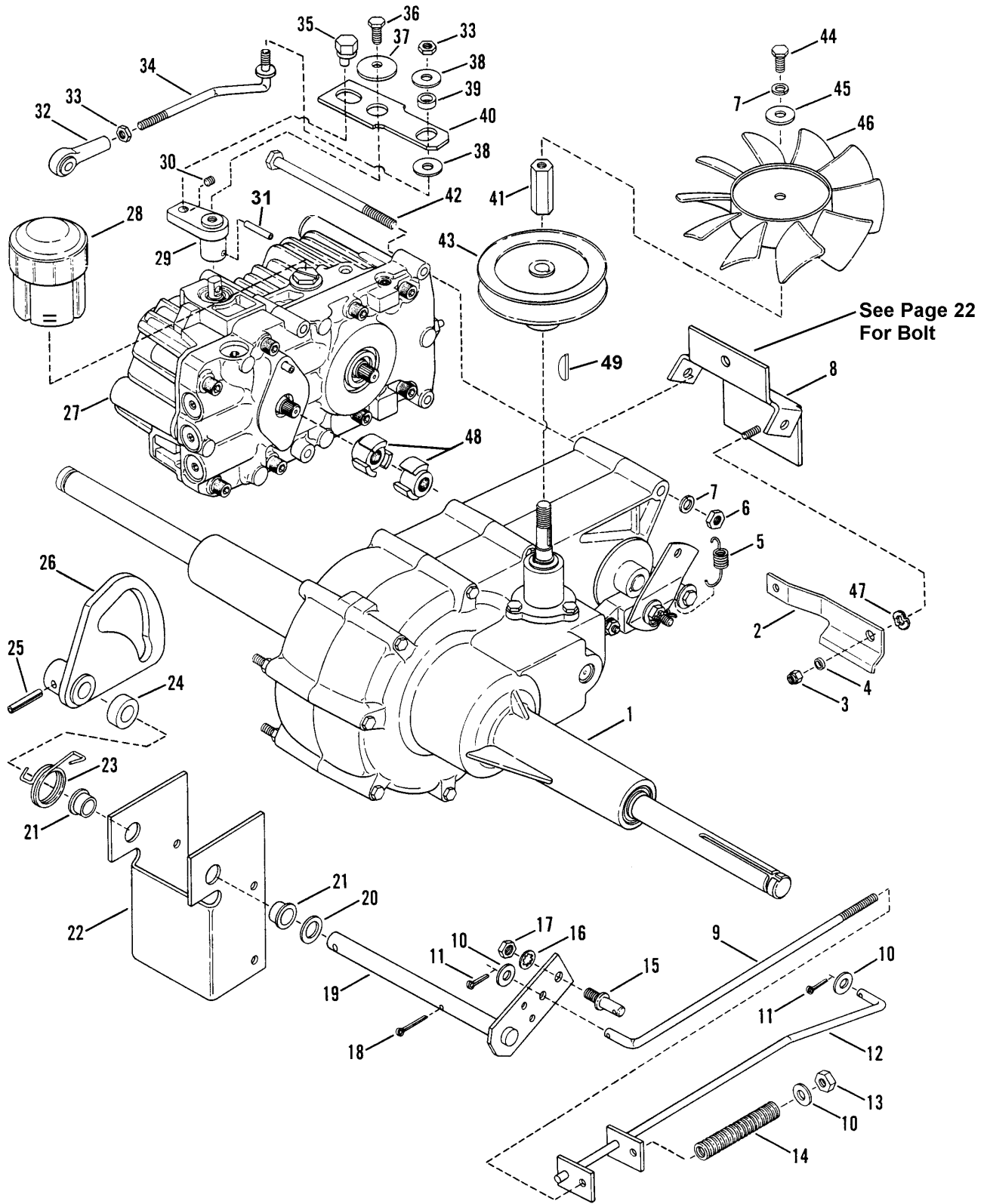


## Transmission Group

Item	Part No	Qty	Description	Note
1	7026084	1	TRANSAXLE ASSEMBLY (HG, 215-1000)	
2	7033133	1	LEVER, Release	
3	7076978	1	NUT, 1/4-20 Hex Lock	
4	7017166	1	SPACER .37 OD x .271 ID x .120 L	
5	7016927	1	SPRING, Brake Return	
6	7091511	4	NUT, 5/16-18 Hex	Was 90628
7	7090187	1	WASHER, 5/16 Split Lock	
8	7052281	1	ASSEMBLY, Torque Bracket	
9	7017121	1	ROD, Brake Spring	
10	7090692	3	WASHER 5/16 x 7/8 x .083	
11	7091598	2	PIN, 5/32 x 1" Cotter	Was 90365
12	7040702	1	ROD, Brake Stop	
13	7091575	1	NUT, 5/16-18 Hex Center Lock	Was 90184
14	7016721	1	SPRING, Brake	
15	7015464	1	STUD, Neutral Pivot	
16	7090390	1	WASHER, 3/8 Internal Tooth Lock	
17	7091630	1	NUT, 3/8-24 Hex	Was 90155
18	7091809	1	PIN, 1/8 x 1 1/4" Cotter	Was 90042
19	7040703	1	ASSEMBLY, Neutral Pivot	
20	7072801	1	WASHER, .632 ID x 1.0 OD (No longer available, try using 7072801)	Was 12855
21		2	BEARING, 5/8 Flanged Nylon .625 ID x .719 x .325 (No longer available)	Was 16956
22	7033056	1	SUPPORT, Neutral Pivot	
23	7016723	1	SPRING, Torsion	
24		1	SPACER, 1.120 OD x .635 ID x .38 L (No longer available)	Was 17165
25	7090842	1	PIN, 1/4 x 1 1/4" Roll	
26	7016715	1	CAM, Neutral Return	
27	7016726	1	TRANSMISSION, Hydro (HG BDU-105-120)	(Hydrgear BDU 10S-120)
28	7016727	1	RESERVOIR ASSEMBLY (HG 2003081)	(Internal Diaphragm, HG #2003084)
29	7016712	1	HUB, Speed Control	
30		1	SCREW, 1/4-28, 1/8 Hex Socket Set (No longer available, try using 7077667)	Was 13670
31	7017732	1	PIN, Spiral 5 MM x 36 MM	
32	7027139	1	ROD END, Speed Control	Was 17128
33	7091297	2	NUT, 5/16-24 Hex	Was 90223
34		1	ROD, Adjustment 4.41" I, 5/16-24 Ends (No longer available)	Was 17816
35	7016729	1	PIN, Eccentric	
36	7090534	1	SCREW, 5/16-18 x 1/2" Hex Head Cap	Was 90203

### Footnotes:

**Transmission Group**





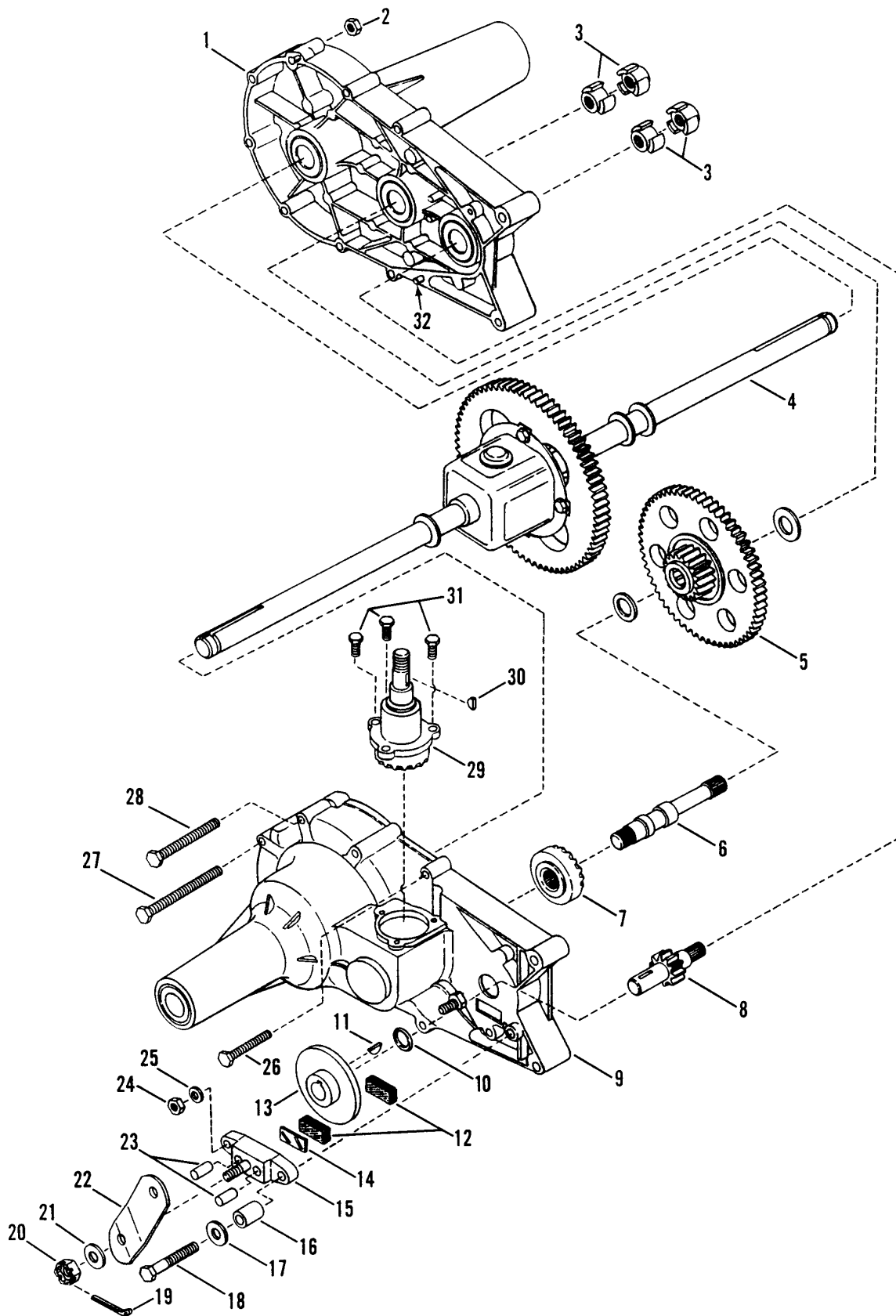
## Transmission Group

---

Item	Part No	Qty	Description	Note
37	7014263	1	WASHER, Cone .32 x 1.4 x .1	
38	7091130	2	WASHER, Flat .327 x .875 x .09	
39	7011968	1	ROLLER	
40	7033054	1	PLATE, Speed Control	
41		1	NUT, Special 3/4 Hex Stock/5/16-24 Thru/9/16-18x1.0 Deep (No longer available)	Was 16717
42	7076940	3	SCREW, 5/16-18 x 4 1/2" Hex Head Cap	
42	7090924	1	SCREW, 5/16-18 x 4 1/8" Hex Head Cap	(Not Shown)
43	7016716	1	PULLEY, Drive	
44	7090322	1	SCREW, 5/16-24 x 1/2" Hex Head Cap	
45	7011763	1	WASHER, Fender 5/16	
46	7016728	1	FAN, 7" DIA 10 Blade	
47	5023202	1	WASHER, 3/8 Wave	Was 17855
48	7024235	4	COUPLING, Pump	
49	7024425	1	KEY, 3/32" x 5/8"	

### Footnotes:

**Transmission - Service Parts List**

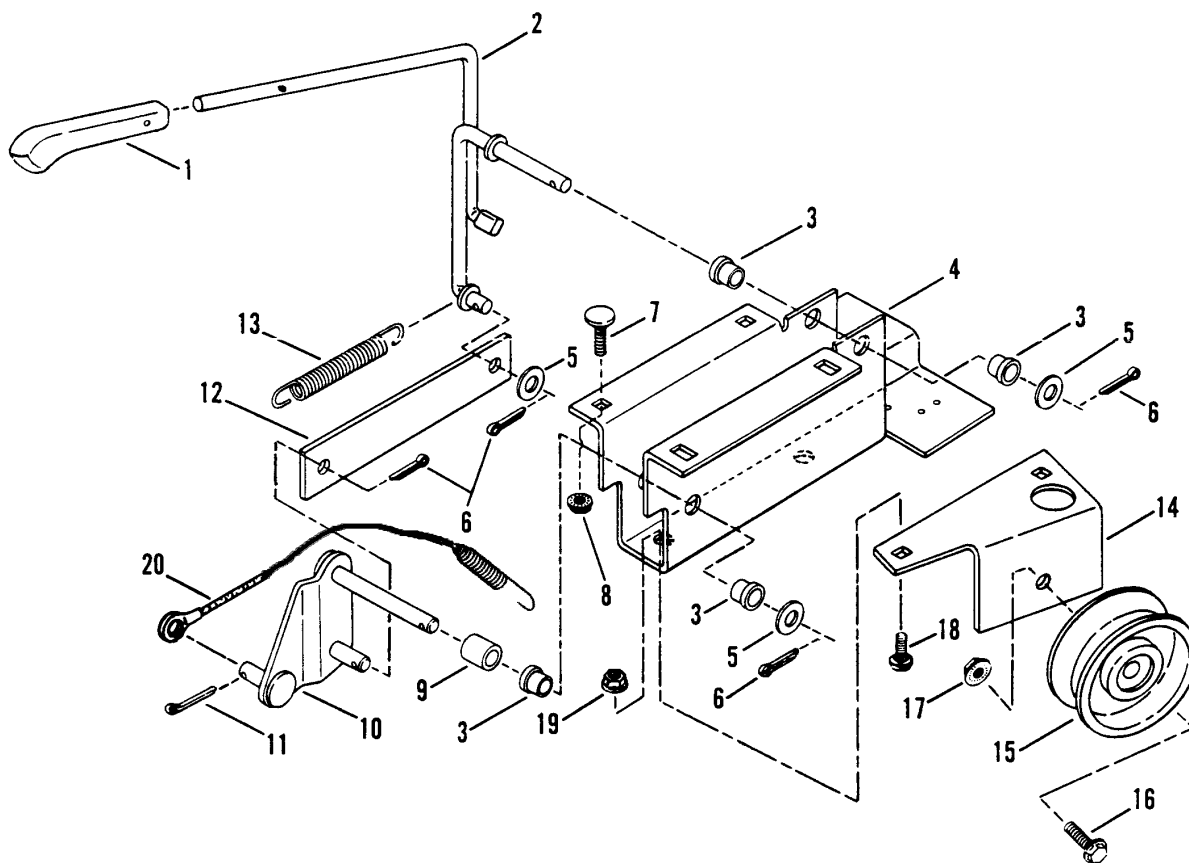


## Transmission - Service Parts List

Item	Part No	Qty	Description	Note
1	7024395	1	ASSEMBLY, Transaxle Housing (Left Hand)	
2	7091511	1	NUT, 5/16-18 Hex	Was 90628
3	7024235	4	COUPLING Pump	
4	7024397	1	ASSEMBLY, Differential	Was 27786
5	7024399	1	ASSEMBLY, Reduction Gear	
6	7024400	1	SHAFT, Drive	
7	7024401	1	GEAR, Drive Pinion	
8	7024402	1	SHAFT, Pinion Gear	
9	7024396	1	ASSEMBLY, Transaxle Housing (Right Hand)	
10	7024428	1	SEAL, Grease	
11	7024416	1	KEY, 3/16 x 5/8" Hi-Pro	
12	7024404	2	PUCK, Brake	
13	7024403	1	DISC, Brake	
14	7024405	1	PLATE, Puck	
15	7024406	1	ASSEMBLY, Brake Yoke	
16	7024420	1	SPACER	
17	7024419	1	WASHER, 9/32 I.D. x 7/8" O.D. Flat	
18	1921963	1	BOLT, 1/4-20 x 2" Hex	Was 24418
19	7024412	1	PIN, Cotter	
20	7024411	1	NUT, 5/16-24 Castle	
21	7024410	1	WASHER, 11/32 I.D. x 7/8" O.D.Flat	
22	7024409	1	ARM, Brake Actuator	
23	7024408	2	PIN, Brake Actuating	
24	2816622	1	NUT, 1/4-20 Hex	Was 24414
25	7024415	1	WASHER, 1/4 Spring Lock	
26	7024421	4	BOLT, 1/4-20 x 2" Self-Tapping	
27	7024424	1	BOLT, 5/16-18 x 3 3/4" Hex Head	
28	7024422	4	BOLT, 1/4-20 x 3" Self-Tapping	
29	7024398	1	ASSEMBLY, Input Pinion Housing	
30	7024425	1	KEY, 3/32 x 5/8" Hi-Pro	
31	7024413	3	SCREW, 1/4-20 x 3/4" Hex Head	
32	7090841	2	PIN, Roll, 3/16 x 1.5"	Was 24427

### Footnotes:

# Blade Engagement

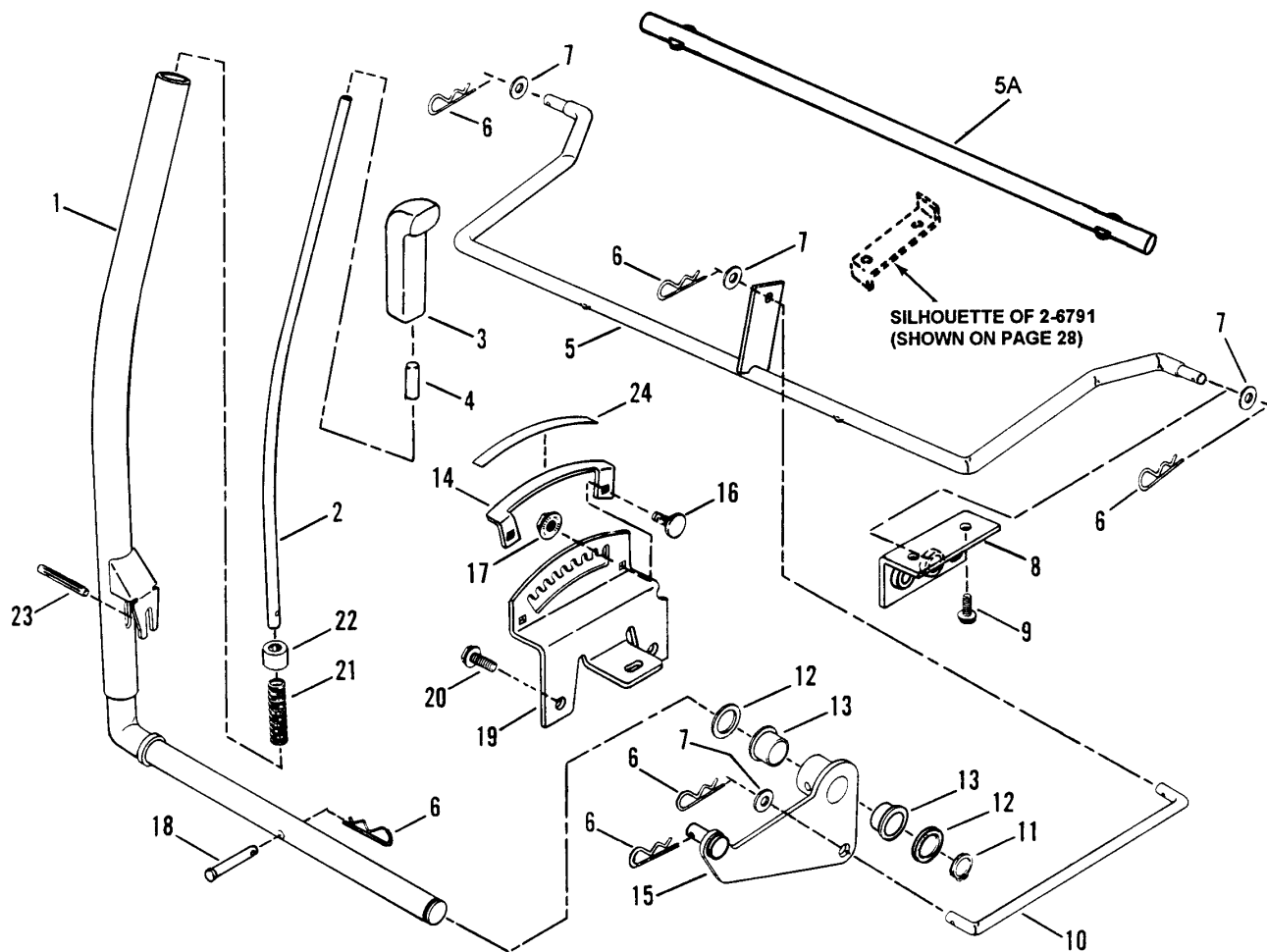


## **Blade Engagement**

---

<b>Item</b>	<b>Part No</b>	<b>Qty</b>	<b>Description</b>	<b>Note</b>
1	7016356	1	KNOB, Handle 7/16"	
2		1	HANDLE, Blade Engagement (No longer available, try using 7040674)	<i>Was 40996</i>
3	7013321	4	BUSHING	
4	7033364	1	BRACKET, Handle	
5	7090122	3	WASHER, 3/8 SAE YZ	
6	7091597	4	PIN, 3/32 x 3/4" Cotter	<i>Was 90037</i>
7	7090803	4	BOLT, 1/4-20 x 5/8" Flat Head Carriage	
8	7091584	4	NUT, 1/4-20 Hex Flange Lock	<i>Was 90583</i>
9	7023206	1	SPACER .625 OD x .380 ID x .560 L	
10	7040570	1	ASSEMBLY, Pivot Arm	
11	7091313	1	PIN, 3/32 x 1" Cotter	<i>Was 90038</i>
12	7032712	1	LINK	
13	7023165	1	SPRING, Return	
14	7033277	1	BRACKET, Idler Support	
15	7017748	1	PULLEY, Idler 2.75" OD	
16	7091580	1	BOLT, 3/8-16 x 1-3/4" Hex Flange Lock	<i>Was 90701</i>
17	7091619	1	NUT, 3/8-16 Hex Lock	<i>Was 90613</i>
18	7090731	2	BOLT, 5/16-18 x 1/2" Short Neck Carriage	
19	7091601	2	NUT, 5/16-18 Hex Lock Flanged	<i>Was 90585</i>
20	7035431	1	CABLE, Blade (35.0" Long - 38" Models)	<i>Was 26195</i>
	7026119	1	CABLE, Blade (30.44" Long - 42" Models)	
	7026777	1	CABLE, Blade (21.5" Long - 48" Models)	

### **Footnotes:**



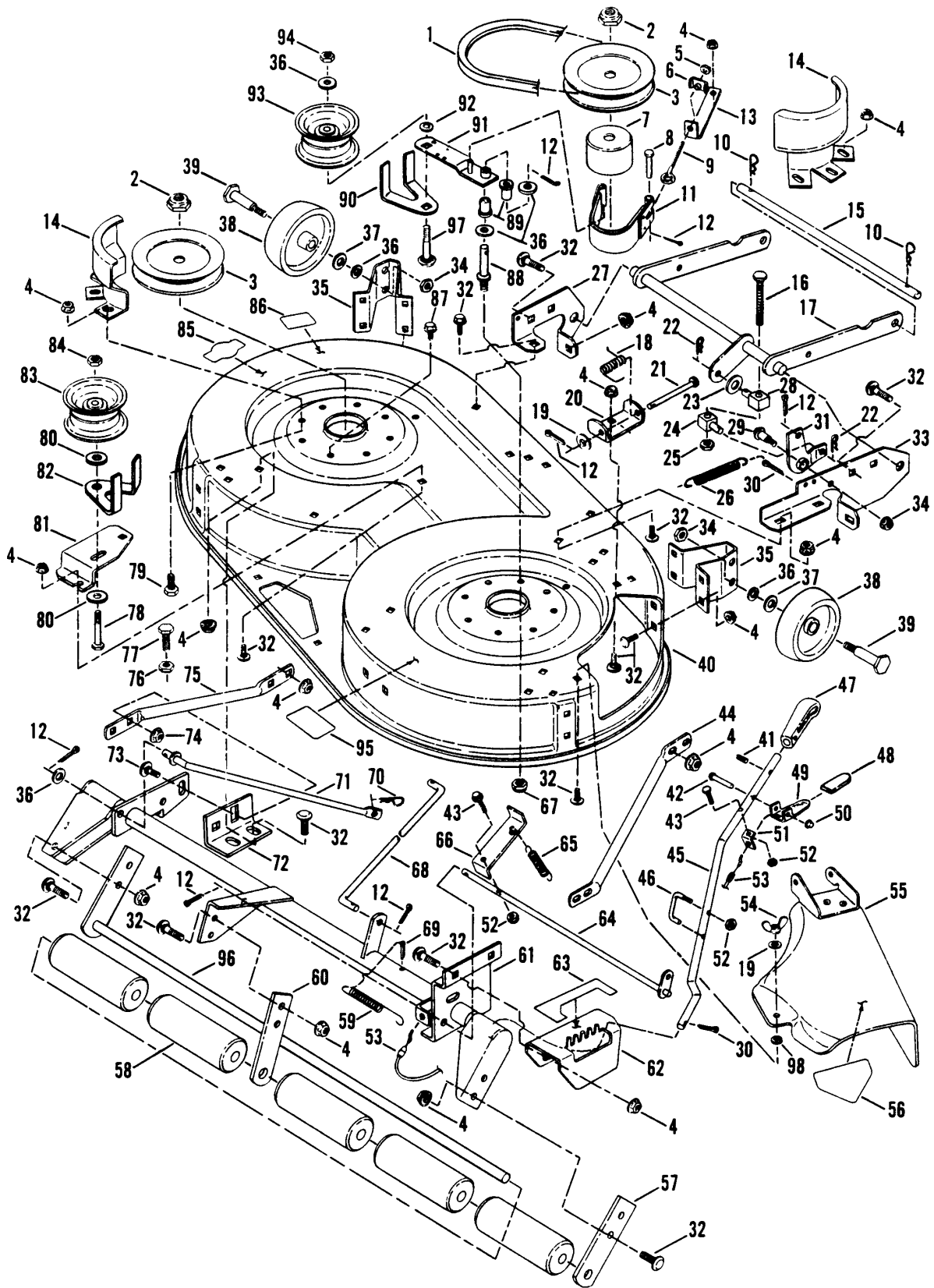
## Implement Lift Parts

---

Item	Part No	Qty	Description	Note
1	7040698	1	ARM, Implement Lift Lever	
2	7033047	1	ROD, Lift Lever	
3	7019363	1	GRIP, Lift Lever	
4	7014361	1	CAP, Lift Release	
5	7047967	1	ARM, Rear Lift	
5A	7026501	1	ROD, Uplatch (Used on ground-following decks only)	<i>Used on ground-following decks only.</i>
6	7091503	5	PIN, 3/32 x 1-1/2" Hair	<i>Was 15067</i>
7	7090122	4	WASHER, 3/8" Flat	
8	7033737	2	BRACKET, Hanger	
9	7090361	4	SCREW, 5/16-18 x 5/8" S.-Tap	
10	7023171	1	LIFT-ROD	
11	7015020	1	RING, Retaining EXT 7/8"	
12	7014354	2	WASHER, Lift Lever .905 x 1.25 x .091	
13	7023197	2	BEARING, Lift Lever	
14	7033176	1	INDICATOR, Cut Height	
15	7041528	1	ASSEMBLY, Lift Lever Pivot	
16	7090803	2	BOLT, 1/4-20 x 5/8" Carriage	
17	7091584	2	NUT, 1/4-20 Hex Flange Lock	<i>Was 90583</i>
18	7029841	1	PIN, Clevis, 5/16 x 1 11/16"	<i>Was 12407</i>
19	7033046	1	QUADRANT, Lift Lever	
20	7091000	3	SCREW, 5/16-18 x 7/8" Self-Tapping	<i>Was 91001</i>
21	7014432	1	SPRING, Lift Lever	
22	7015019	1	PLUG, Lift Lever Nylon	
23	7090881	1	PIN, 3/16 x 2" Groove	
24	7017445	1	DECAL, Cut Height	

### Footnotes:

# 38" Cutting Deck, Belts, Brakes



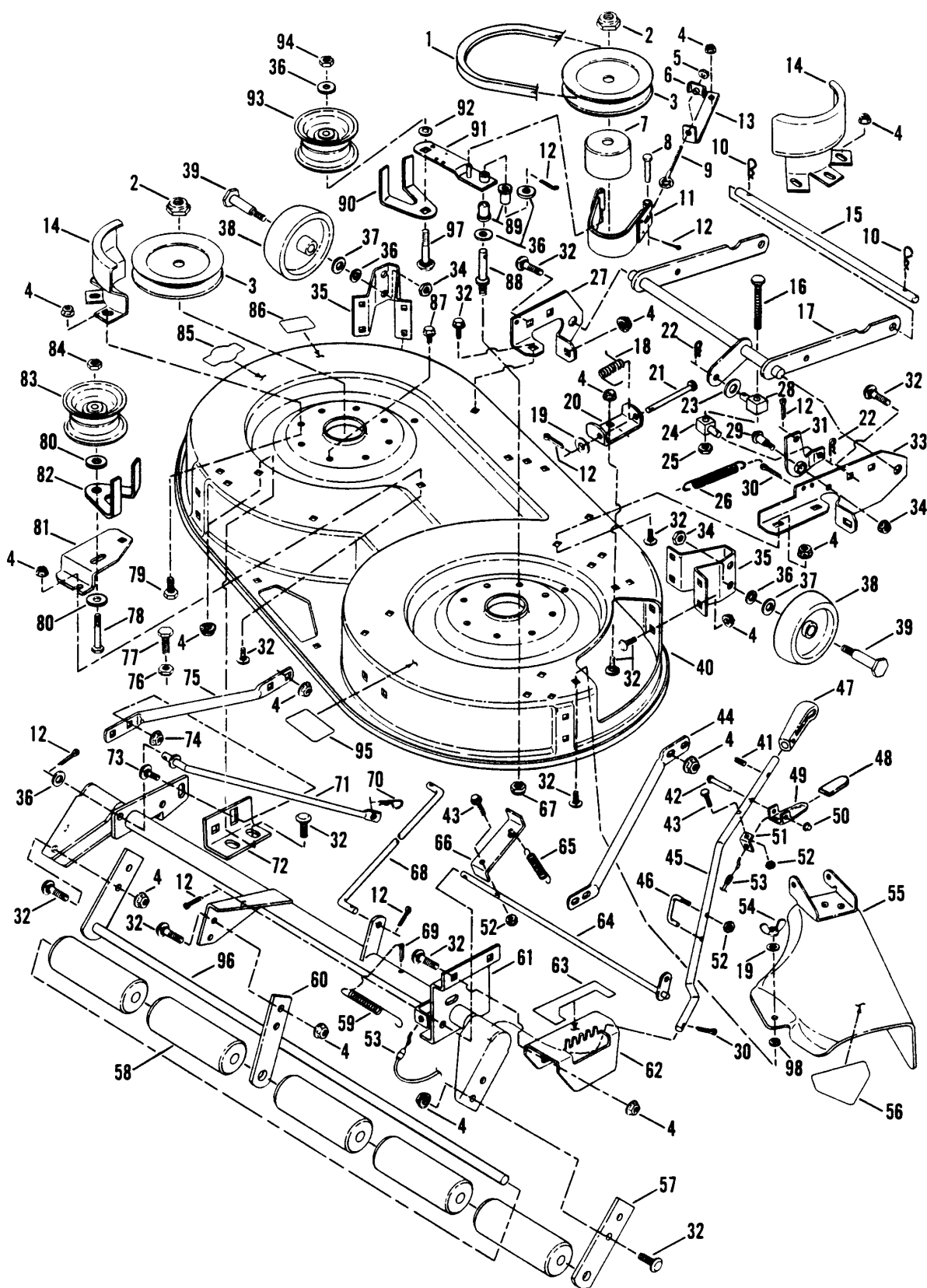


### 38" Cutting Deck, Belts, Brakes

Item	Part No	Qty	Description	Note
1	7026688	1	BELT, Drive, 38" Cutting Deck HA 95.5" EL	
2	7091006	2	NUT, 5/8-18 Hex Nyloc	
3	7024634	2	PULLEY, Spindle	
4	7091601	28	NUT, 5/16-18 Hex Flange Lock	Was 90585
5	7091576	1	NUT, 1/4-20 Hex GR 5 YZ	Was 90063
6	7024908	1	NUT, 1/4-20 "T" Lock	
7	7033816	1	DRUM, Brake	
8	7014304	1	PIN, 1/4 x 1 5/8" Clevis	
9	7014302	1	BOLT, 1/4-20 Eye	
10	7091596	2	PIN, Hair .148 X 2.62 YZ	Was 13844
11	7052886	1	ASSEMBLY, Brake Band	
12	7091597	7	PIN, 3/32 x 3/4" Cotter	Was 90037
13	7033825	1	ANCHOR, Blade Brake	
14	7024801	2	GUARD, Belt	
15	7027471	1	PIN, Deck Hanger	Was 33407
16	7026826	1	SCREW, 1/2-13 x 3-1/4" Hex Cap	
17	7041510	1	LIFT, Front Arm	
18	7026158	1	SPRING, Chute Deflector Hinge	
19	7090188	2	WASHER, Flat 5/16	
20	7026750	1	HINGE, Deck	
21	7026161	1	PIN, 5/16 x 3-3/16" Clevis	
22	7091503	2	PIN, Hair, 3/32 x 1-19/32"	Was 15067
23	7025074	1	WASHER, Flat .531X1X.063 BZ	
24	7026648	1	SWIVEL, Lift	
25	7090625	1	NUT, 1/2-13 Hex Jam	
26	7026173	1	SPRING, Blade Brake	
27	7035577	1	HITCH (Left Hand)	Was 26757
28	7026827	1	SWIVEL, Lift 1/2-13THD	
29	7024267	1	BOLT, 3/8-24 x 1.33" Hex Shoulder	
30	7091598	2	PIN, 1/8 x 1" Cotter	Was 90041
31	7041509	1	BELLCRANK	
32	7091508	28	BOLT, 5/16-18 x 3/4" Carriage	Was 90001
33	7026525	1	BRACKET, Front Linkage	
34	7090289	3	NUT, 3/8-24 Hex Center Lock	
35	7033756	2	BRACKET, Gage Wheel Front	
36	7090122	5	WASHER, 3/8" Flat	
37	7091587	3	WASHER, 1/2 Flat	Was 90250

**Footnotes:**

# 38" Cutting Deck, Belts, Brakes

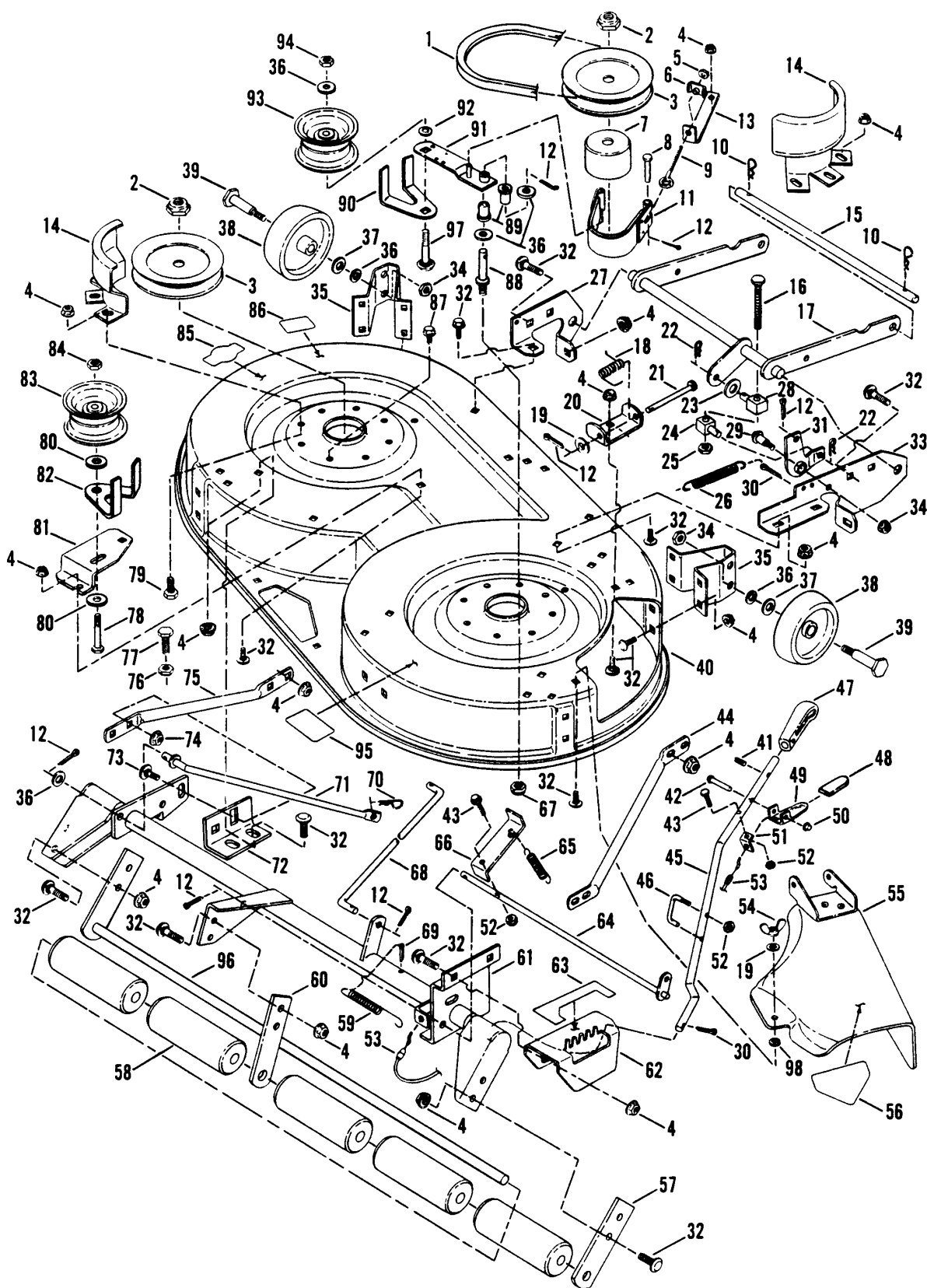


## 38" Cutting Deck, Belts, Brakes

Item	Part No	Qty	Description	Note
38	7026122	2	WHEEL, Gage 4x1.5	
39	7091526	2	BOLT, 3/8-24 Shoulder	Was 11720
40	7061960	1	DECK, 38" Cutting (Drill holes as needed)	Was 33639
41	7090844	1	PIN, 3/16 x 3/4" Roll	
42	7012776	1	PIN, 1/4 x 1 1/16" Round Head	
43	7027230	2	SCREW, 1/4-20 x 1" Hex Cap (Gr. 5)	Was 90548
44	7034349	1	TUBE, Structural (Right Hand)	Was 33971
45	7026504	1	HANDLE, Lift	
46	7026524	1	CATCH, Lift Handle	
47	7023658	1	KNOB, Lift Handle	
48	7026790	1	GRIP, Lever	
49	7026761	1	LEVER, Latch	
50	7091020	1	NUT, 1/4" Push	
51	7026762	1	ANCHOR, Cable	
52	7091705	3	NUT, 1/4-20 Hex Top Lock	Was 90761
53	7026774	1	CABLE, Transport Latch	
54	7091537	1	WING-NUT, 5/16-18	Was 90492
55	7053227	1	ASSEMBLY, Chute Deflector	(Includes 12, 19, 18, 20, 21 & 56)
56	7013010	1	DECAL, DANGER	Was 26831
57	7026538	1	STRIP, Outer	
58	7026695	5	ROLLER	
59	7026658	1	SPRING, Extension	
60	7026497	1	STRIP, Center	
61	7041511	1	ASSEMBLY, Torque Tube	
62		1	QUADRANT, Height Adjustment (No longer available)	Was 26537
63	7026765	1	DECAL, Height Adjustment	
64	7041519	1	ASSEMBLY, Latch Shaft	
65	7026792	1	SPRING, Extension	
66	7026791	1	CATCH, Up-Latch	
67	7092062	1	NUT, 5/16-24 Hex	Was 11201
68	7026514	1	LINK, Deck	
69		1	PIN, 3/16 x 1-3/4" Cotter (No longer available)	Was 90310
70	7091310	1	PIN, 5/64 x 1-3/16" Hair	Was 16231
71	7026764	1	BAR, Stabilizing	
72	7026536	1	ANGLE, Adjustment	
73	1960702	1	BOLT, 3/8-16 x 1" Short Neck Carriage	Was 90645
74	7091619	1	NUT, 3/8-16 Hex Lock	Was 90613
75	7033972	1	TUBE, Structural (Left Hand)	

### Footnotes:

# 38" Cutting Deck, Belts, Brakes



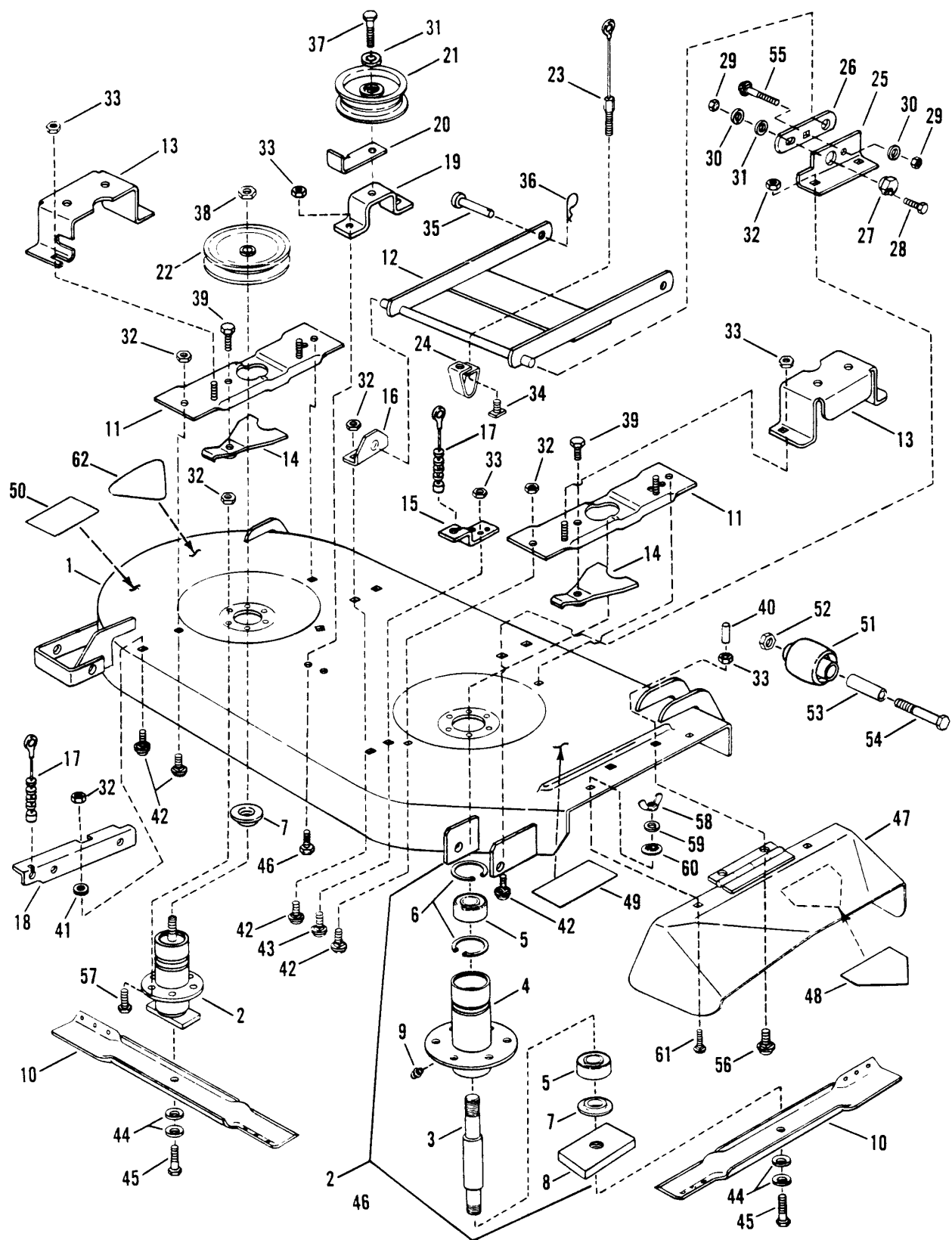
## 38" Cutting Deck, Belts, Brakes

---

Item	Part No	Qty	Description	Note
76	7090665	1	NUT, 3/8-16 Hex Jam	
77	1921969	1	SCREW, 3/8-16 x 1 1/2" Hex Head Cap, Grade 5	Was 91239
78	7090748	1	SCREW, 1/2-13 x 3 1/2" Hex Head Cap, Grade 5	
79	7027168	1	BOLT, 5/16-18 x 1" Hex Head Cap	Was 90636
80	7091152	2	WASHER, 13/32 x 1.50 O.D. Flat	
81	7033728	1	BRACKET, Idler	
82	7034045	1	GUIDE, Belt	Was 34022
83	7026310	1	PULLEY, Idler 3.25 OD x 1.75 Flat	
84	7091121	1	NUT, 1/2-13 Hex (Nyloc)	
85	7025061	1	DECAL, 38" Deck	
86	7014852	1	DECAL, CAUTION (Rotating Blades)	Was 16973
87	7090815	6	SCREW, 3/8-16 x 3/4" Self-Tapping	
88	7026618	1	STUD, Idler	
89	7012306	2	BUSHING, Flange	
90	7033929	1	GUIDE, Belt	
91	7041392	1	ARM, Idler Pulley	
92	7013847	1	RETAINER, 3/8 Bolt	
93	7024725	1	PULLEY, Idler 3.25 OD x 1.75 Flat	
94	7091299	1	NUT, 3/8-16 Hex Nyloc	Was 76979
95	7014852	1	DECAL - CAUTION	
96	7041512	1	ASSEMBLY, Roller Shaft	
97	7092000	1	BOLT, 3/8-16 x 2-3/4" Carriage (Gr. 5)	Was 90738
98	7011791	1	RETAINER, 5/16 Bolt	
		1	CUTTER UNIT, LTH 38 GF-SE (No longer available)	Was 61314

### Footnotes:

# 42" Cutting Deck & Components

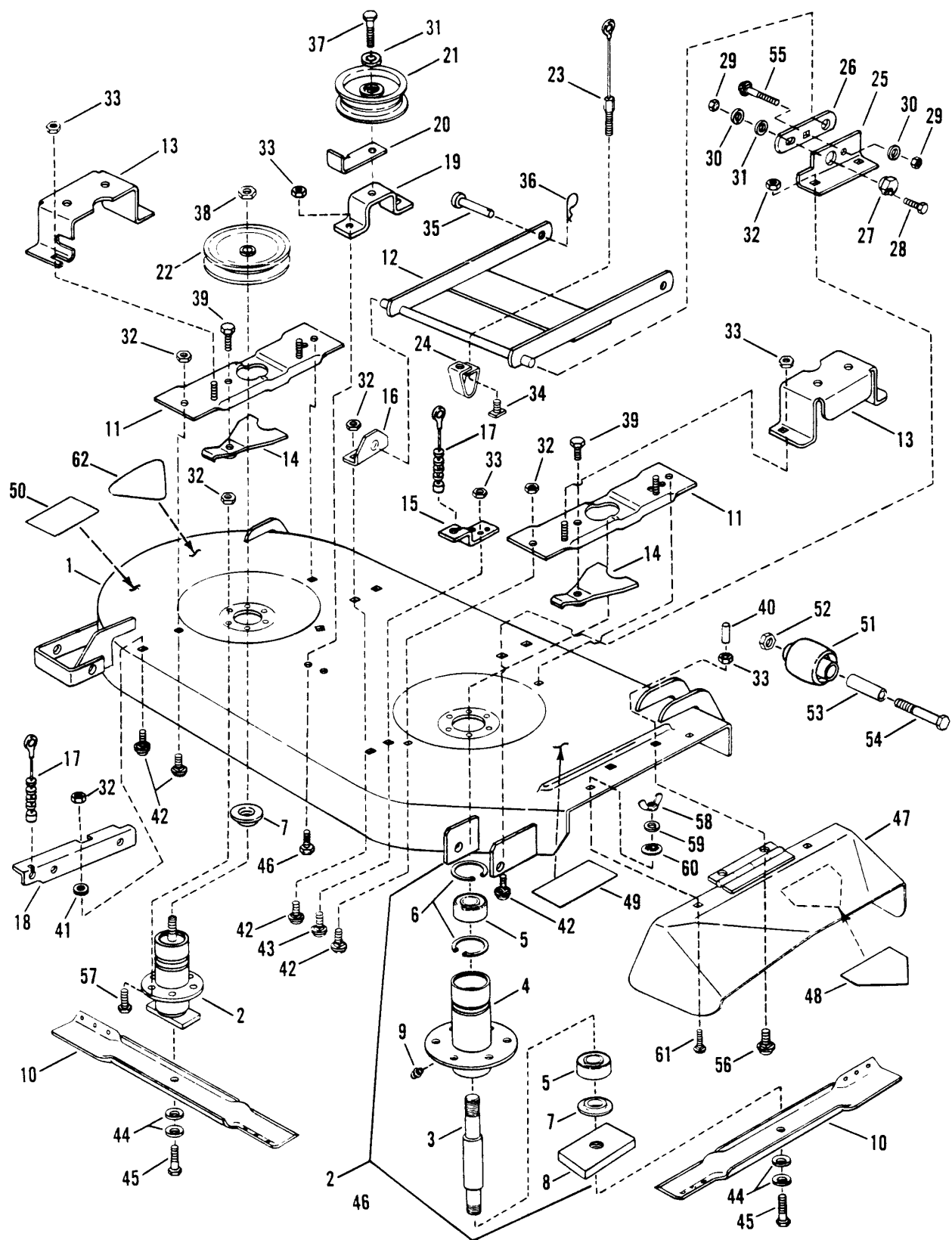


## 42" Cutting Deck & Components

Item	Part No	Qty	Description	Note
1	7051916	1	DECK, Mower, 41"	(Includes items 49 & 50)
2	7051914	2	ASSEMBLY, Spindle	(Includes items 3 thru 9)
3	7027668	2	SPINDLE 6.5" Long	
4	7051918	2	HOUSING, Spindle 5.1" Tall	(Includes item 9)
5	7013313	4	BEARING, Spindle	
6	7012491	4	RING, Retaining EXT 1.75"	
7	7014407	4	WASHER, Spindle	
8	7032294	2	HOLDER, Blade	
9	7010817	2	FITTING, Lube (Press into .187" hole, no ball)	
10	7019795	2	BLADE, 21" Cutter	
11	7052487	2	ASSEMBLY, Rear Support	
12	7042469	1	ASSEMBLY, Front Hanger	Was 49762
13	7034409	2	GUARD, Pulley	Was 33367
14	7051747	2	ASSEMBLY, Spindle Lock	
15	7033083	1	ASSEMBLY, Chain Support	
16	7032297	1	BRACKET, Front Left Hanger	
17	7016844	2	CABLE, Support (4.25", 8 Spacers)	
18	7033086	1	ASSEMBLY, Rear Support	
19	7051748	1	BRACKET, Idler Mount	
20	7032368	1	GUIDE, Belt	
21	7018574	2	PULLEY, Flat Idler 4.12" OD	
22	7015724	2	PULLEY, Spindle "V" 5.75" OD .750" ID Hole	
23	7023180	1	CABLE, Front Lift 6.12"	
24	7038043	1	BRACKET, Front Lift Arm Hanger	
25	7038382	1	BRACKET, Front Right	
26	7032432	1	LINK, Adjustment	
27	7015012	1	RING, Adjustment	
28	7091304	1	SCREW, 3/8-16 x 1" Hex Head Cap	Was 90563
29	7091302	2	NUT, 3/8-16 Hex	Was 90130
30	7090118	2	WASHER, 3/8" Split Lock	
31	7090122	2	WASHER, 3/8 Flat	
32	7091619	22	NUT, 3/8-16 Hex Flange Lock	Was 90613
33	7091601	9	NUT, 5/16-18 Hex Flange Lock	Was 90585
34	7090388	1	T-NUT, 5/16-18	
35	7012951	2	PIN, 1/2 x 1 3/8" Clevis	
36	7091596	2	HAIRPIN, Cotter	Was 13844
37	7091497	1	SCREW, 3/8-16 x 1 1/2" Hex Cap	Was 90655

### Footnotes:

# 42" Cutting Deck & Components





## 42" Cutting Deck & Components

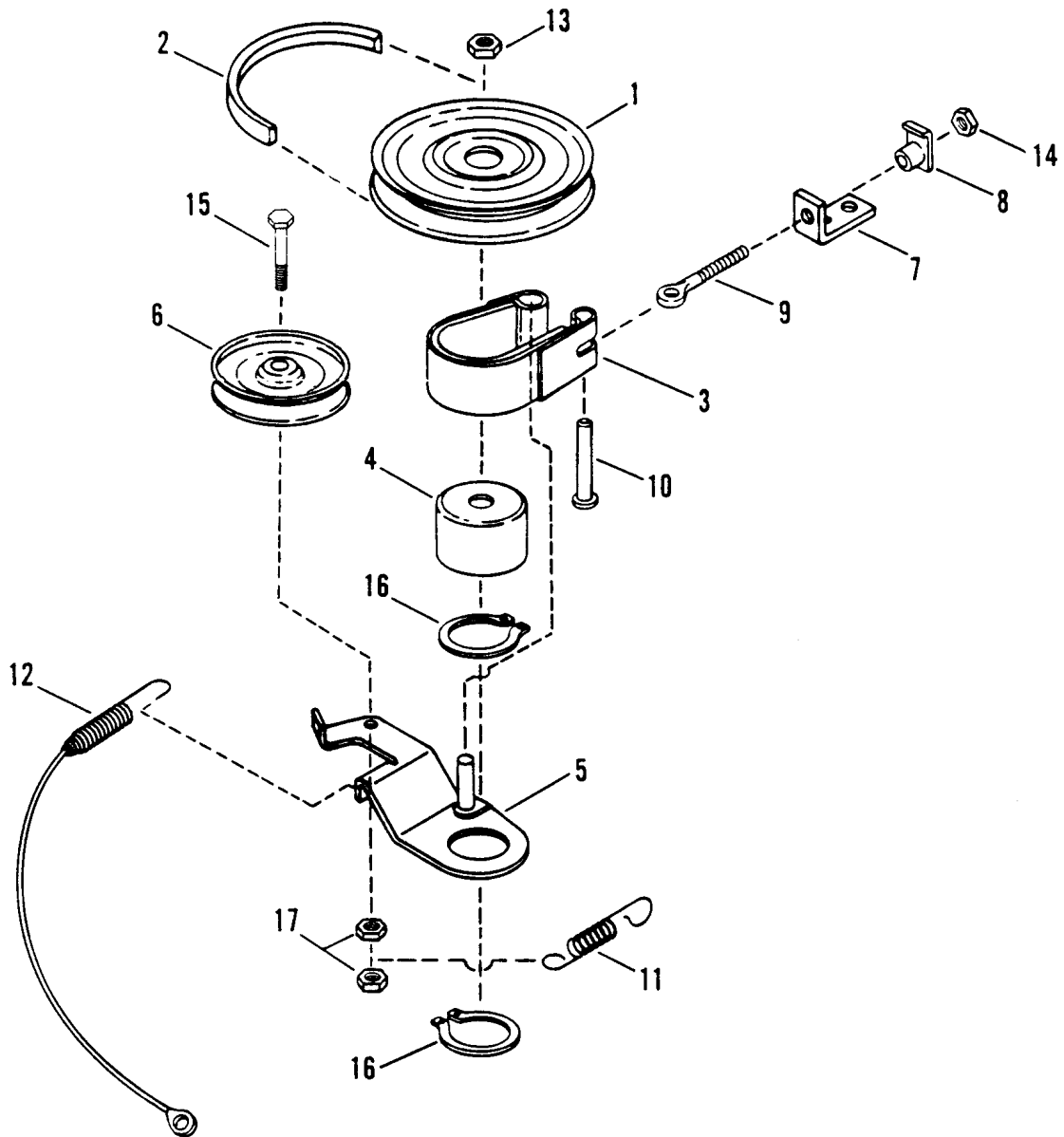
---

Item	Part No	Qty	Description	Note
38	7074467	2	NUT, 3/4-16 Hex Jam	Was 10027
39	7027198	2	BOLT, 3/8-16 x 1" Hex Flange Lock	Was 90582
40	7023606	2	CAP, Vinyl	
41	7090517	1	WASHER, 7/16 Flat	Was 90600
42	7091547	9	BOLT, 3/8-16 x 3/4" Carriage	Was 90850
43	7091508	2	BOLT, 5/16-18 x 3/4" Carriage	Was 90788
44	7012063	4	WASHER, 13/32 x 1 13/32" Dia., Cone	
45	7090824	2	SCREW, 3/8-24 x 1 1/4" Hex Cap	
46	7090595	2	BOLT, 5/16-18 x 3/4" Hex Flange Lock	
47	7051401	1	DEFLECTOR, Side Chute	(Includes item 48)
48	7013010	1	DECAL, Danger	
49	7014852	1	DECAL, Caution (Deflector in Place)	
50	7014852	1	DECAL, Caution (Rotating Blades)	Was 16973
51	7019190	4	WHEEL, Gage	
52	7090289	4	LOCKNUT, 3/8-24 Hex	
53	7015272	4	SPACER	
54	7091532	4	SCREW, 3/8-24 x 3 3/4" Hex Head Cap	Was 90859
55	7091547	1	BOLT, 3/8-16 x 3/4" Short Neck Carriage	Was 90850
56	7091303	2	BOLT, 5/16-18 x 1" Short Neck Carriage	Was 90383
57	7091588	12	BOLT, 3/8-16 x 3/4" Hex Flange Lock	Was 90612
58	7091537	2	WING-NUT, 5/16-18	Was 90375
59	7090187	2	WASHER, 5/16 Split Lock	
60	7011791	2	RETAINER, 5/16 Bolt	
61	7090799	2	BOLT, 5/16-18 x 5/8" Carriage	
62	7024910	1	DECAL, 42"	
	7060929	1	42" Cutter Unit, Complete	

### Footnotes:

**Belt, Blade Brake Components (42" Deck)**

---



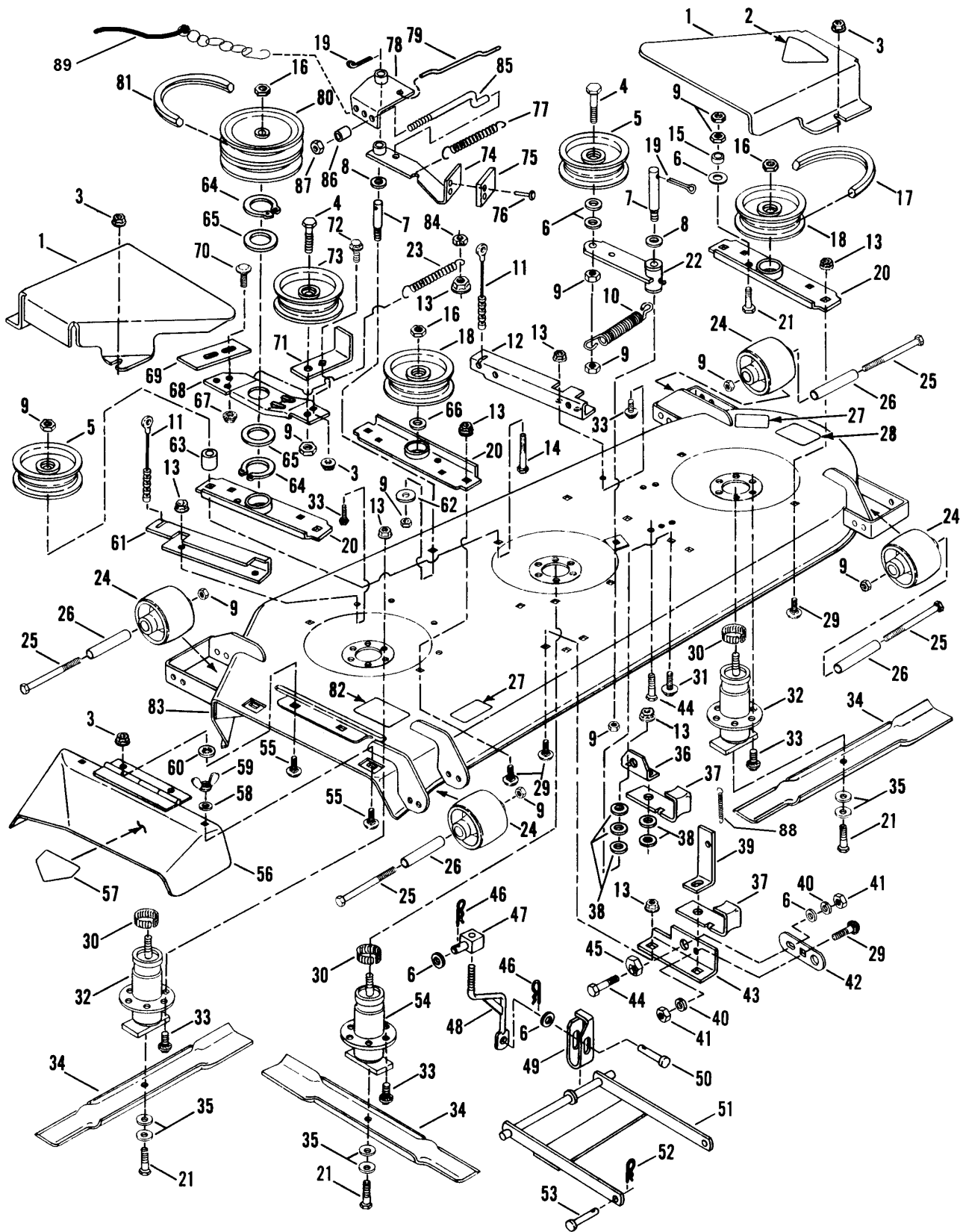
## ***Belt, Blade Brake Components (42" Deck)***

---

<b>Item</b>	<b>Part No</b>	<b>Qty</b>	<b>Description</b>	<b>Note</b>
1	7015724	1	PULLEY, Drive 5.75" OD	
2	7014799	1	BELT, Drive A101	
3	7052886	1	ASSEMBLY, Brake Band	
4	7032169	1	DRUM, Brake	
5	7047912	1	ASSEMBLY, Brake Arm	
6	7018574	1	PULLEY, Flat Idler 4.12" OD	
7	7032587	1	ANCHOR, Brake	
8	7014303	1	TEE-NUT, 1/4-20	
9	7014302	1	BOLT, 1/4-20 Eye	
10	7011021	1	PIN, 1/4 x 1 1/4" Clevis	
11	7029788	1	SPRING, Blade Brake	<i>Was 23172</i>
12	7026119	1	CABLE, Blade 30.44"	
13	7074467	1	NUT, 3/4-16 Hex Jam	<i>Was 10027</i>
14	7091576	1	NUT, 1/4-20 Hex	<i>Was 90063</i>
15	7090167	1	SCREW, 3/8-24 x 2" Hex Head Cap	
16	7010740	2	RING, 2" External Retaining	
17	7090289	2	NUT, 3/8-24 Hex Lock	

**Footnotes:**

# 48" Cutting Deck, Belts, Brakes



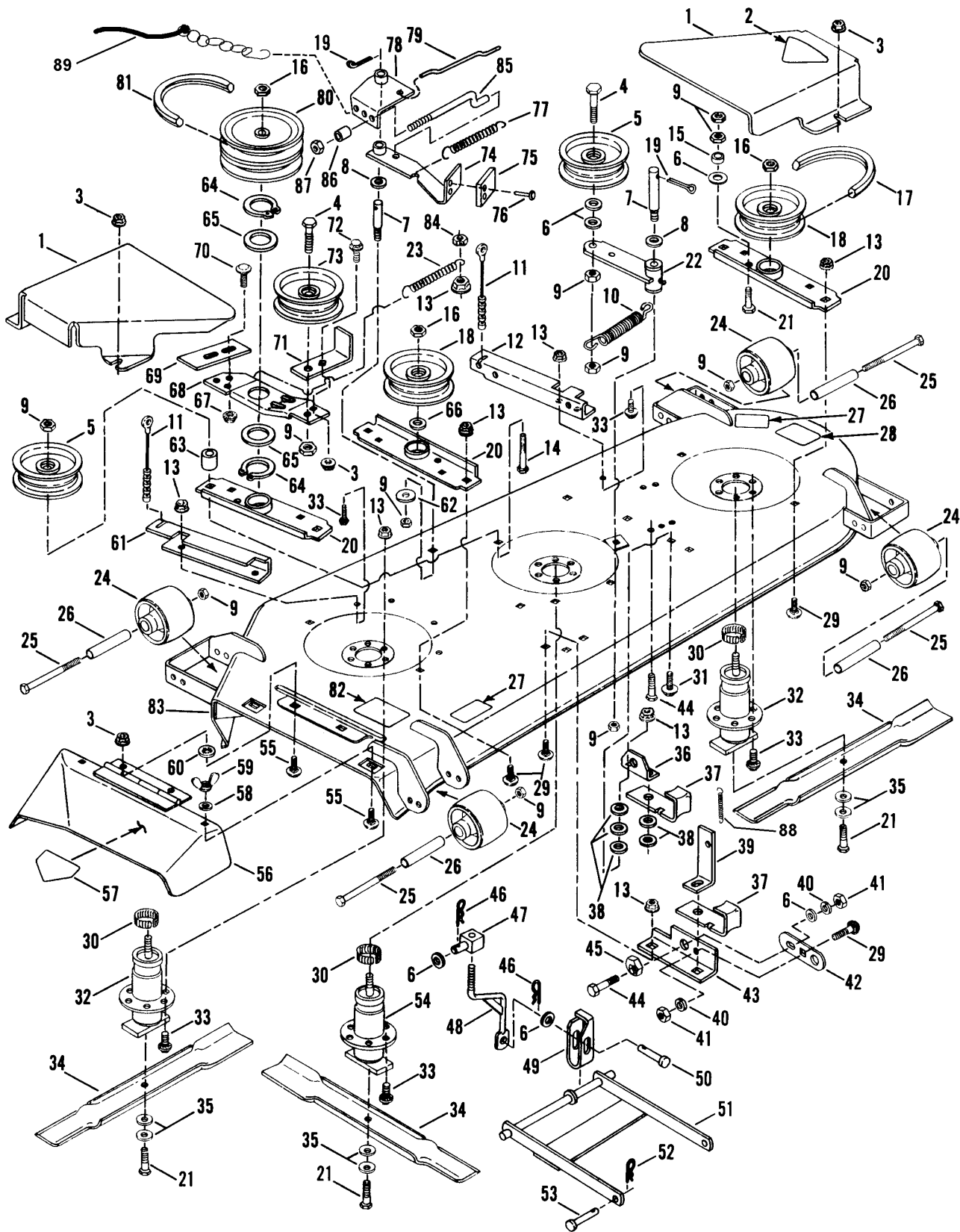
## 48" Cutting Deck, Belts, Brakes

Item	Part No	Qty	Description	Note
1	7035054	2	GUARD, Pulley	
2	7024431		DECAL, 48" Deck	
3	7091601	8	NUT, 5/16-18 Hex Flange Lock	Was 90585
4	7090167	2	SCREW, 3/8-24 x 2" Hex Head Cap	
5	7018651	2	PULLEY, Idler 4-1/2" O.D.	
6	7090122	6	WASHER, 3/8" Flat	
7	7035816	2	STUD, Idler	Was 14408
8	7090183	2	WASHER, 5/8 Flat	
9	7090289	12	NUT, 3/8-24 Hex Lock	
10	7014513	2	SPRING	
11	7026474	2	CABLE, Support (4.75", 8 Spacers)	
12	7033118	1	SUPPORT, Cable (Left Side - Rear)	
13	7091619	23	NUT, 3/8-16 Hex Flange Lock	Was 90613
14	7090169	1	SCREW, 3/8-24 x 2-1/2" Hex Cap	
15	7014527	1	SPACER, .623 OD X .380 ID X .250 L	
16	7090820	3	NUT, 3/4-16 Hex Jam Lock	
17	7024497	1	BELT, AA 107" EL	
18	7014544	2	PULLEY, 4-3/4" O.D.	
19	7091598	2	PIN, 1/8 x 1" Cotter	Was 90041
20	7038078	3	BRACE, Spindle	
21	7090824	4	SCREW, 3/8-24 x 1-1/4" Hex Cap	
22	7051475	1	ASSEMBLY, Idler Arm	
23	7012264	1	SPRING, Idler Arm Weldment	
24	7019190	4	WHEEL, Gage	
25	7091532	4	SCREW, 3/8-24 x 3-3/4" Hex Cap	Was 90859
26	7015272	4	SPACER, .625 OD X .435 ID X 3 L YZ	
27	7012929	2	PAD, Foot	
28	7014852	1	DECAL, Caution	Was 16973
29	7091547	10	BOLT, 3/8-16 x 3/4" Carriage	Was 90850
30	7012670	3	RING, Tolerance 2.0"	
31	7027198	2	BOLT, 3/8-16 x 1" Hex Flange Lock	Was 90582
32	7051473	2	ASSEMBLY, Spindle (Outboard)	See note at bottom of page
33	7091588	13	BOLT, 3/8-16 x 3/4" Hex Fig. Lock	Was 90612
34	7019733	3	BLADE 16.5"	
35	7012063	6	WASHER, 13/32x1-13/32" Dia. Cone	
36	7032297	1	BRACKET, Front Hanger (Left Side)	
37	7033556	2	BELT Guide (Yellow)	

### Footnotes:

(See "Wheels-Front" illustration & parts list for Parts Breakdown)

# 48" Cutting Deck, Belts, Brakes



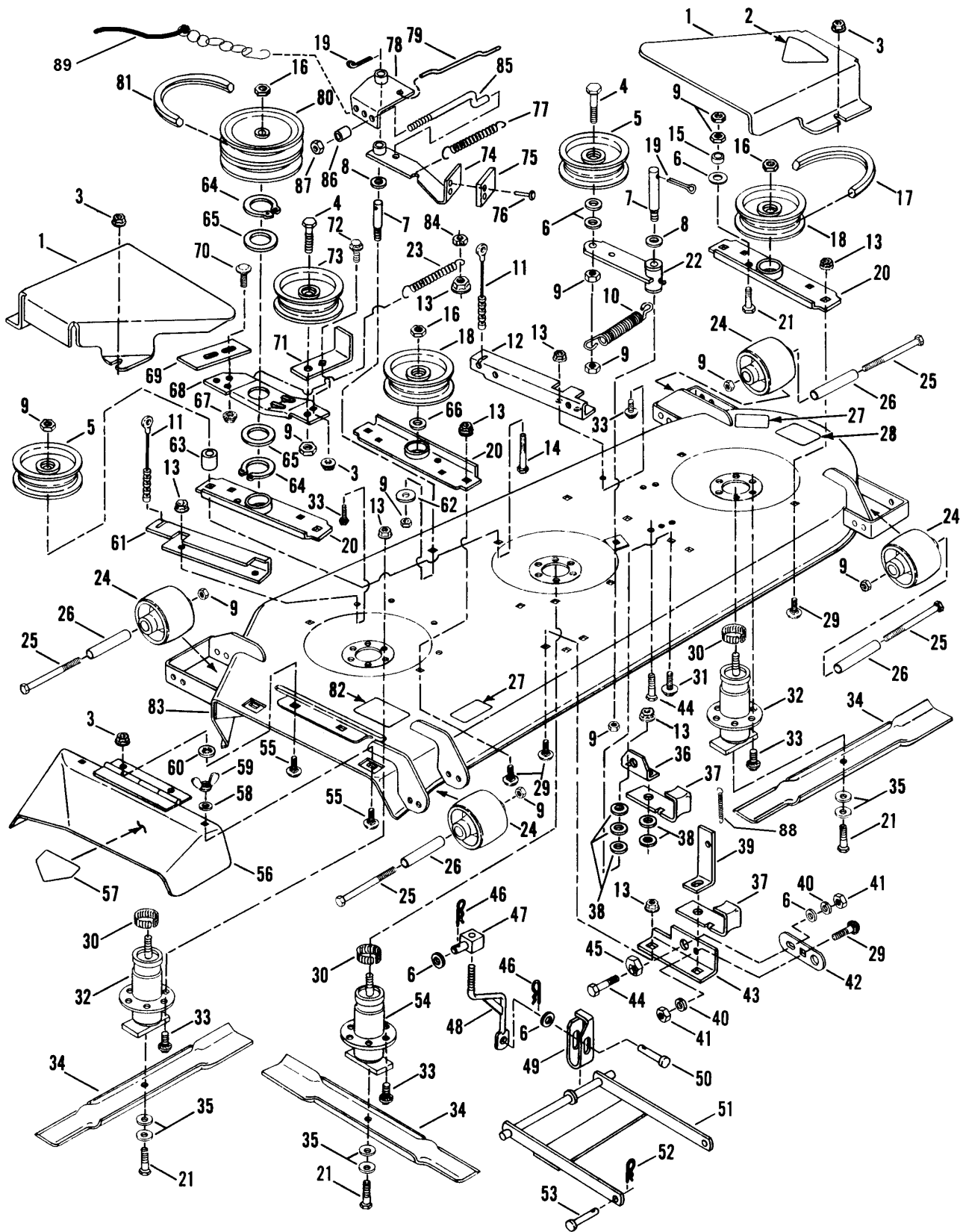
## 48" Cutting Deck, Belts, Brakes

Item	Part No	Qty	Description	Note
38	7090517	5	WASHER, 3/8" Flat	Was 90600
39	7034001	1	BRACKET, Spring	
40	7090118	2	WASHER, 3/8 Split Lock	
41	7091302	2	NUT, 318-16 Hex	Was 90130
42	7032432	1	LINK, Adjustment	
43	7038382	1	BRACKET, Front Hanger (Left Side)	
44	7091304	2	SCREW, 3/8-16 x 1" Hex Cap (Gr. 5)	Was 90563
45	7015012	1	RING, Adjustment	
46	7091503	2	PIN, 3/32 x 1-19/32" Hair	Was 15067
47	7017516	1	SWIVEL, Front Lift Rod	
48	7041534	1	ROD, Front Lift	
49	7034016	1	HANGER, Front Lift	
50	7013460	2	PIN, 3/8 x 1-1/2" Clevis	
51	7042469	1	ASSEMBLY, Front Hanger	Was 49762
52	7091596	2	PIN, 5/32 x 2-5/8" Hair	Was 13844
53	7012951	2	PIN, 1/2 x 1-3/8" Clevis	
54	7051528	1	ASSEMBLY, Spindle (Center)	See note at bottom of page
55	7090799	8	BOLT, 5/16-18 x 5/8" Carriage	
56	7051401	1	ASSEMBLY, Side Chute	(Includes Item 57)
57	7013010	1	DECAL, DANGER	
58	7090187	2	WASHER, 5/16 Split Lock	
59	7091537	2	NUT, 5/16-18 Wing	Was 90375
60	7011791	2	RETAINER, 5/16 Bolt	
61	7033119	1	SUPPORT, Cable (Right Side - Rear)	
62	7032368	1	GUIDE, Belt	
63	7021945	1	SPACER, 1.00 OD X.39 ID X1.12 L	
64	7010740	2	RING, 2" External Retaining	
65	7014795	2	WASHER, Nylon	
66	7010935	1	WASHER, 3/4 x 1-1/8" O.D. Flat	
67	7091584	2	NUT, 1/4-20 Hex Flange Lock	Was 90583
68	7041570	1	WELDMENT, Idler Arm (Center)	
69	7033860	1	STRIP, Brake	
70	7091573	2	BOLT, 1/4-20 x 5/8" Carriage	Was 90551
71	7034005	1	GUIDE, Belt	
72	7091508	1	BOLT, 5/16-18 x 3/4" Carriage	Was 90788
73	7018574	1	PULLEY, Flat Idler 4.12" OD	
74	7053299	1	ASSEMBLY, Brake Weldment	(Includes Items 75 & 76)
75	7026836	1	LINER, Brake	

### Footnotes:

(See "Wheels-Front" illustration & parts list for Parts Breakdown)

# 48" Cutting Deck, Belts, Brakes





## 48" Cutting Deck, Belts, Brakes

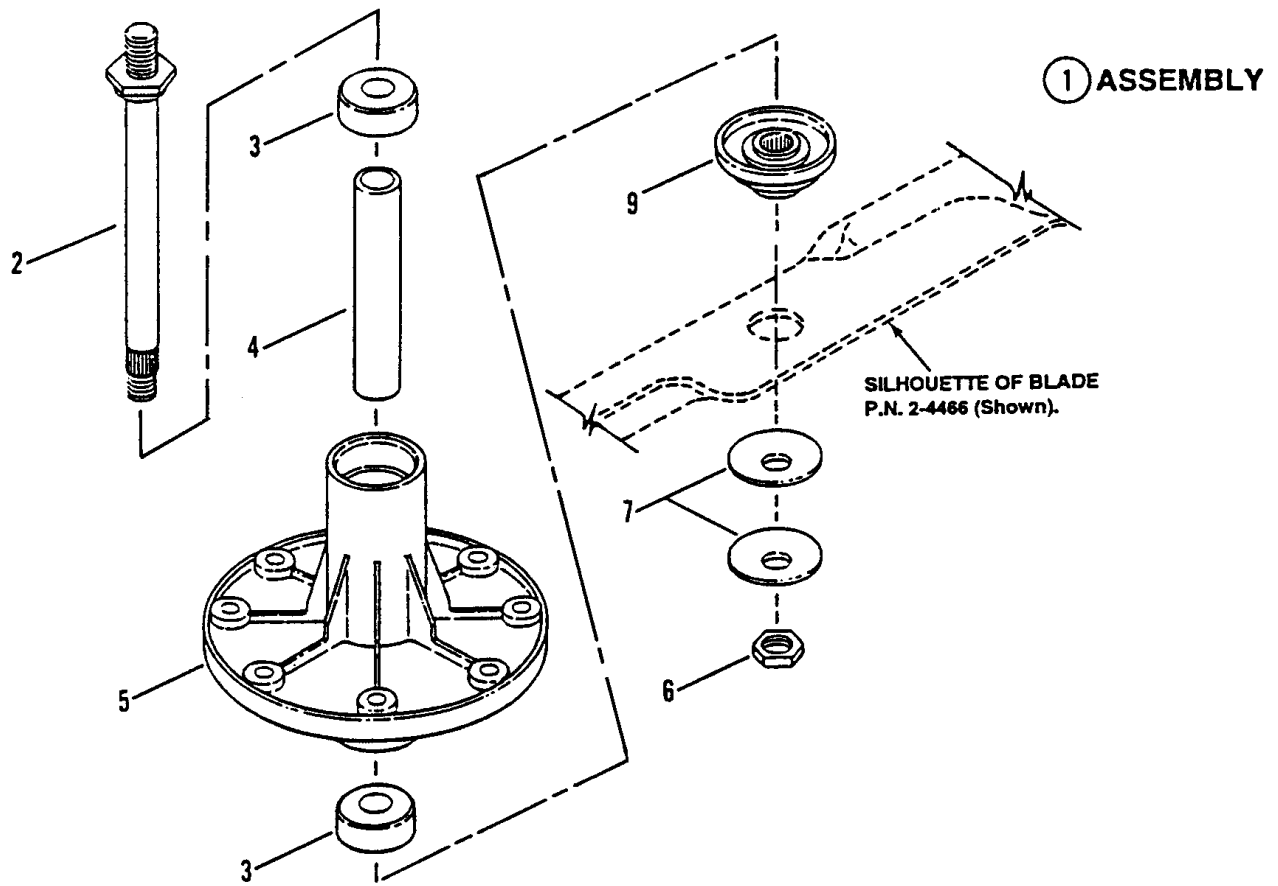
---

Item	Part No	Qty	Description	Note
76	7017366	2	RIVET, Brake Liner 3/16X1/2 ZP	
77	7022696	1	SPRING, Brake Assembly	
78	7041471	1	WELDMENT, Clutch Bracket	
79	7026334	1	LINK, Clutch	
80	7014545	1	PULLEY, Double	
81	7026305	1	BELT, 48 Deck Drive HA 52.25	
82	7014852	1	DECAL, Caution	
83	7049961	1	DECK, 48" Mower	
84	7091585	1	NUT, 3/8-16 Hex Center Lock	Was 90546
85	7027888	1	ROD, Brake Adjustment	
86		1	SPACER, .5 OD X .258 ID X .75 L (No longer available, try using 7024114)	Was 10826
87	7090372	1	NUT, 1/4-20 Hex Center Lock	
88	7027753	1	SPRING, Weight Transfer	
89	7026843	1	"S" HOOK & CHAIN	
	7061266	1	CUTTER UNIT, 48" LTH-SERVIC	

### Footnotes:

(See "Wheels-Front" illustration & parts list for Parts Breakdown)

# Spindle Assembly - 38" Cutting Deck



## **Spindle Assembly - 38" Cutting Deck**

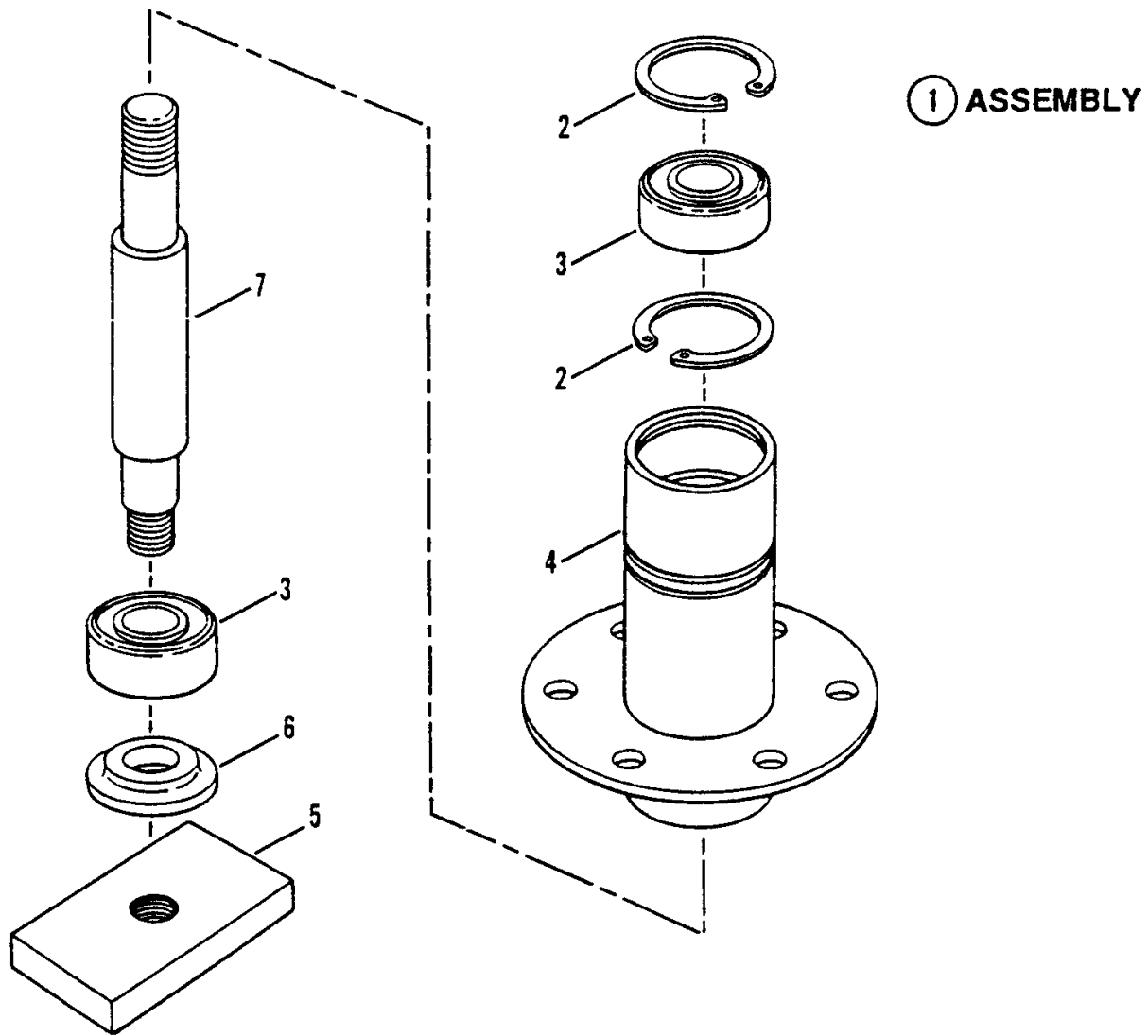
---

<b>Item</b>	<b>Part No</b>	<b>Qty</b>	<b>Description</b>	<b>Note</b>
1	7054513	1	ASSEMBLY, Spindle Housing	<i>Was 52847 (Includes 2 thru 8)</i>
2	7026754	1	SPINDLE 7.019" Long	
3	7026808	2	BEARING, Spindle 17MM	
4	7024465	1	SPACER, Spindle Housing .875 OD X .687 ID X 3.79 L	
5	7024461	1	HOUSING, Spindle 4.78" Tall	
6	7024468	1	NUT, 9/16-18 Hex Jam	
7	7024467	2	WASHER, Belleville .594 x 1.75	
9	7024463	1	SPACER, Blade	
	7042998	1	BLADE, 19-1/2"	<i>Was 24466 (Shown)</i>

### **Footnotes:**

**Spindle Assembly - 42" Cutting Deck**

---



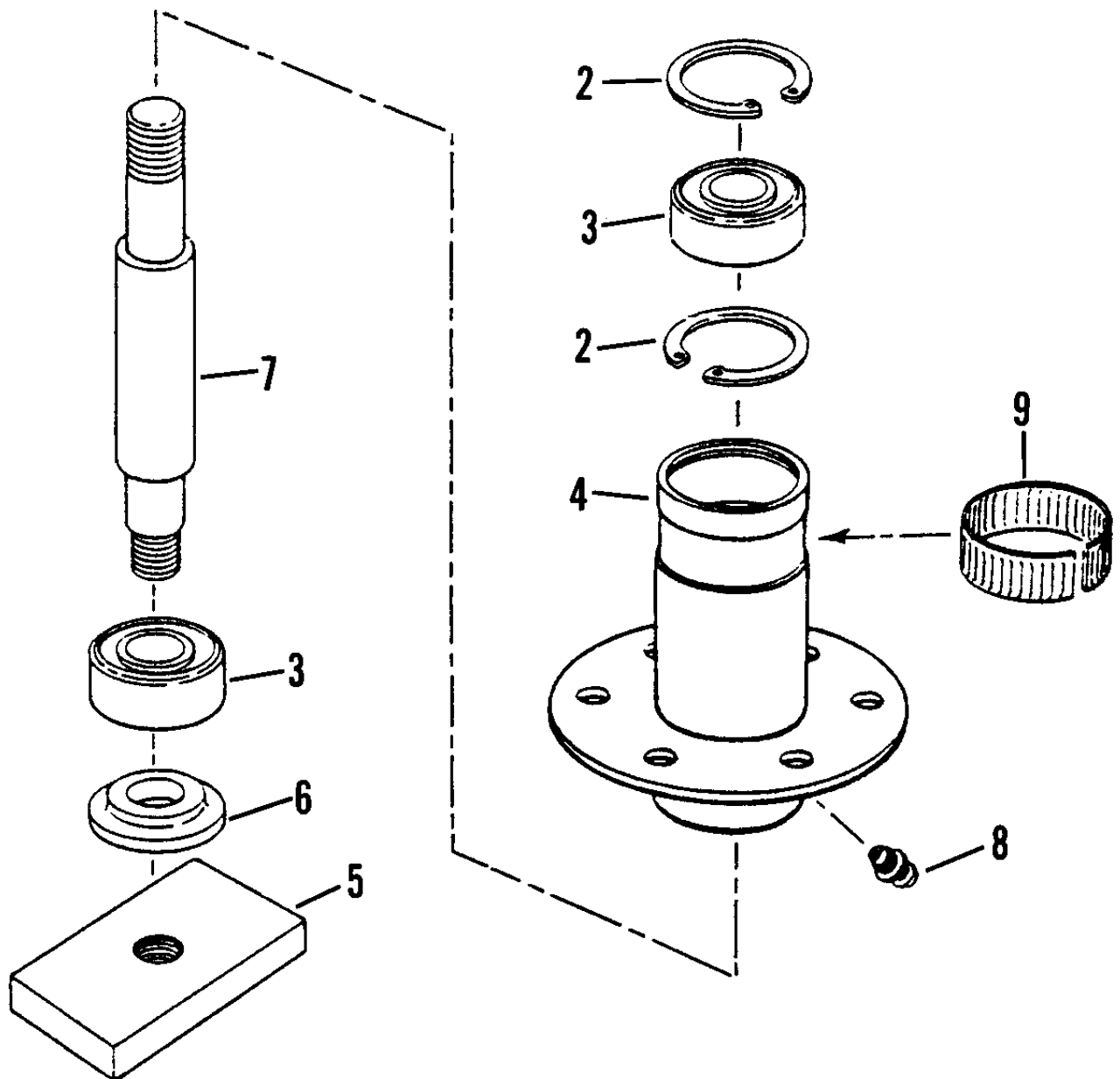
## **Spindle Assembly - 42" Cutting Deck**

---

<b>Item</b>	<b>Part No</b>	<b>Qty</b>	<b>Description</b>	<b>Note</b>
1	7051914	1	ASSEMBLY, Spindle Housing	<i>Was 59723 (Includes 2 thru 7)</i>
2	7012491	2	RING, Retaining EXT 1.75"	
3	7013313	2	BEARING, Spindle	
4	7051918	1	HOUSING, Spindle, 5.1"	<i>Was 47917</i>
5	7032294	1	HOLDER, Blade	
6	7014407	1	WASHER, Spindle	
7	7027668	1	SPINDLE, 6.5" Long	

**Footnotes:**

① ASSEMBLY

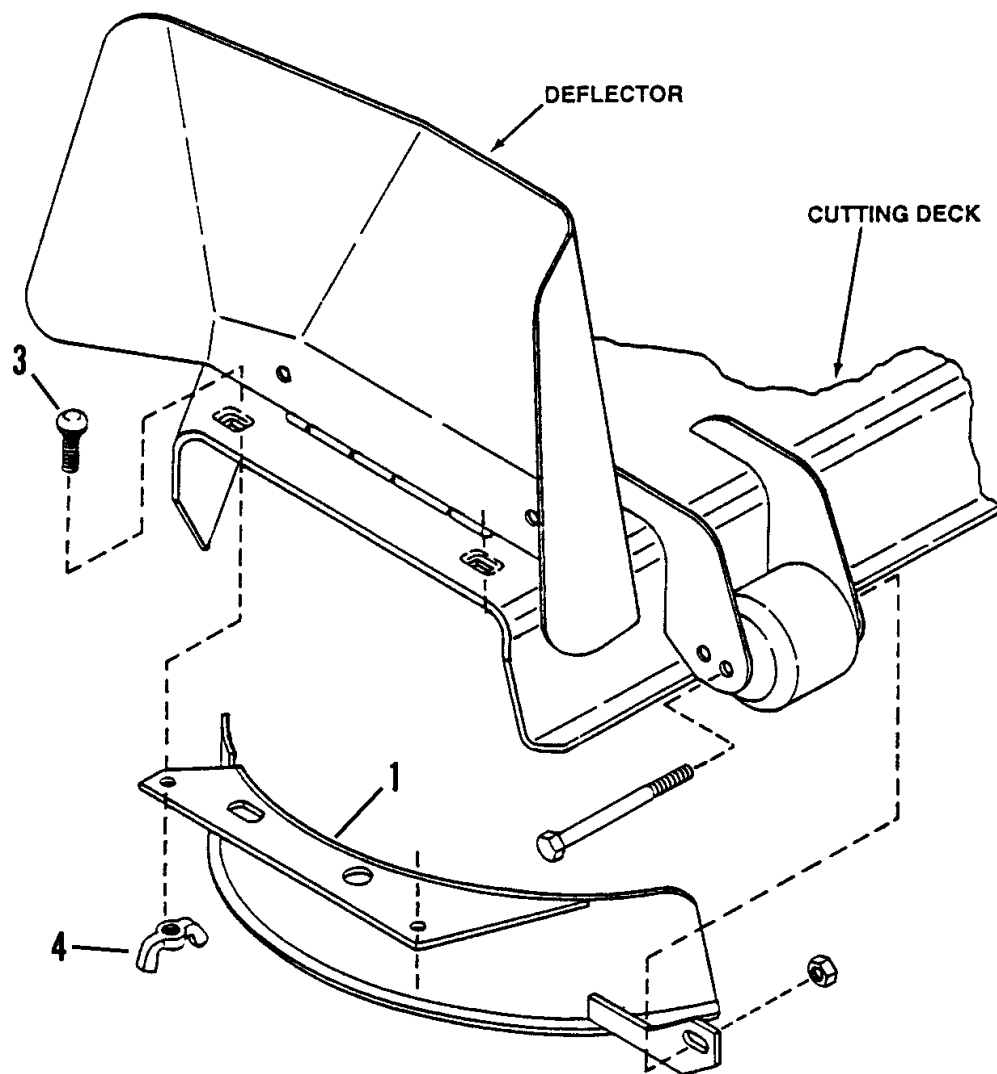


## **Spindle Assembly - 48" Cutting Deck**

---

<b>Item</b>	<b>Part No</b>	<b>Qty</b>	<b>Description</b>	<b>Note</b>
1	7051473	2	ASSEMBLY, Spindle (Includes 2 thru 7)(48" Outboard)	<i>Was 59622</i>
1	7051528	1	ASSEMBLY, Spindle (Includes 2 Thru 7) (48" Center)	<i>Was 57343</i>
2	7012491	6	RING, Retaining EXT 1.75"	
3	7013313	6	BEARING, Spindle	
4	7051472	2	HOUSING, Spindle - Outboard, 4.25"	<i>Was 47825</i>
4	7051527	1	HOUSING, Spindle - Center, 4.59"	<i>Was 47839</i>
5	7032294	3	HOLDER, Blade	
6	7014407	3	WASHER, Spindle	
7	7027632	2	SPINDLE, 6.06" Long	<i>(48" Outboard)</i>
7	7027641	1	SPINDLE, 7.25" Long	<i>(48" Center)</i>
8	7010817	3	FITTING, Lube (Press fit for .187 hole-no ball)	
9	7012670	3	RING, Tolerance 2.0"	

### **Footnotes:**





## **Recycling Kit For 42" Models**

---

<b>Item</b>	<b>Part No</b>	<b>Qty</b>	<b>Description</b>	<b>Note</b>
	7061220	1	KIT, Recycling (42" Models)	<i>(Includes Items 1 Thru 4)</i>
1	7041372	1	COVER, Recycling	
2	7026407	2	BLADE, 21" Quad Edge (Ninja)(Not shown)	<i>Was 24234</i>
3	7090316	2	BOLT, 5/16-18 x 3/4" Carriage	
4	7091537	2	NUT, 5/16-18 Wing Lock YZ	<i>Was 90375</i>

**Footnotes:**



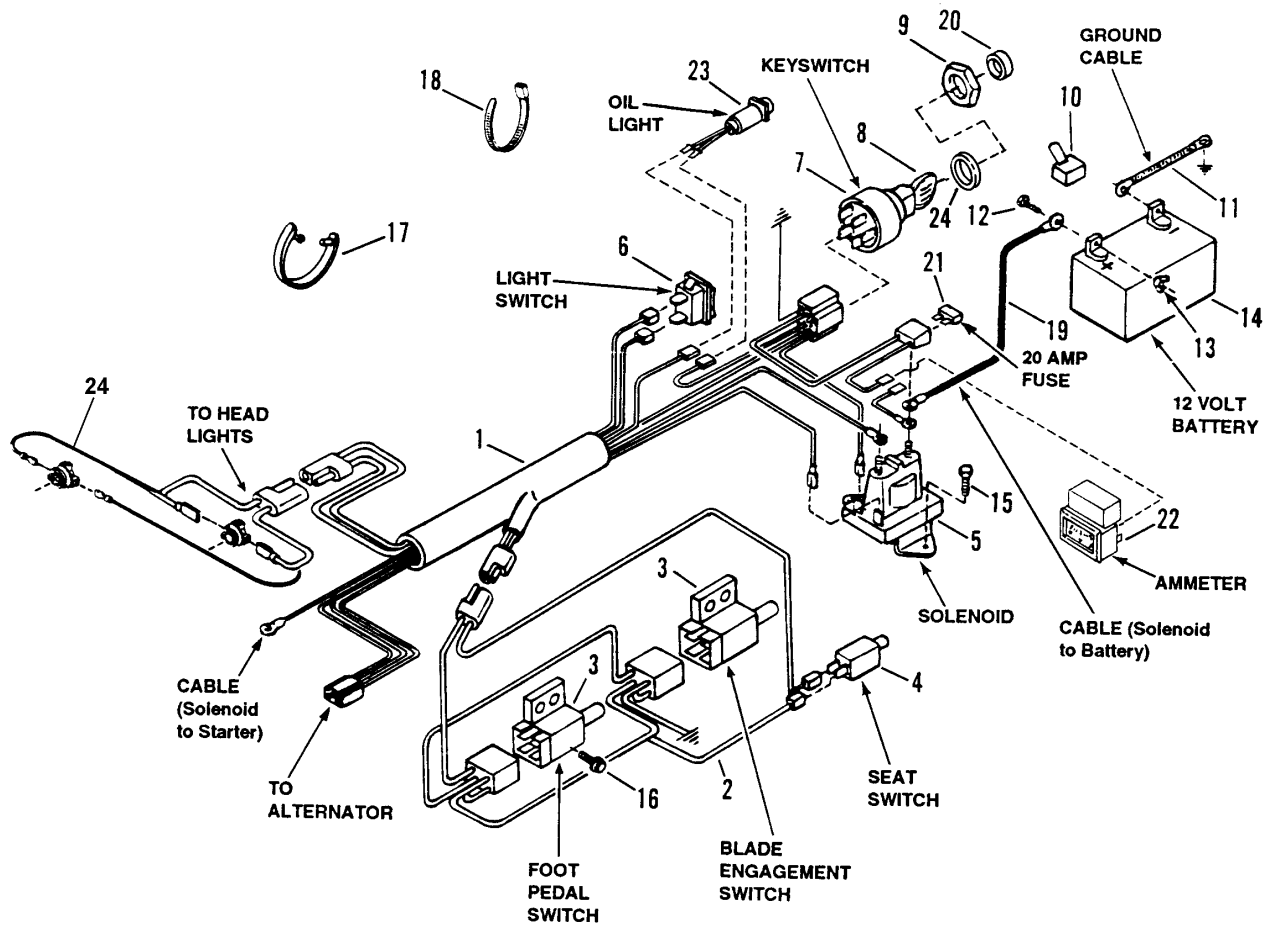
## Electrical System (Briggs Engines Only)

---

Item	Part No	Qty	Description	Note
1	7026668	1	HARNESS, Wiring (Briggs Engine)	
2	7024126	1	HARNESS, Interlock	
3	7023355	2	SWITCH, Clutch & PTO (NC/NO)	
4	7023354	1	SWITCH, Seat (NC)	Was 17590
5	7075622	1	SOLENOID	Was 18604
6	7023187	1	SWITCH, Light	
7	7026343	1	SWITCH, Key	(Includes 2 of Item 8)
8	7073406	2	KEY, Switch (With Cover)	Was 23504
9	7012685	1	NUT, 5/8-32 Hex	
10	7012444	1	COVER, Positive Terminal	
11	7014475	1	CABLE, Negative 15" 8 AWG Black	
12	7091530	2	BOLT, 1/4-20 x 3/4" Carriage	Was 90074
13	7091568	2	NUT, 1/4-20 Wing	Was 90311
14	7060618	1	KIT, Battery	
15	7091122	2	SCREW, 1/4-20 x 1/2" Self-Tapping	Was 90539
16	7090913	4	SCREW, #10-24 x 1/2" Hex Washer Self-Tap (Torx)	Was 90307
17	7014451	1	TIE, Wire	
18	7012080	1	TIE, Cable 7"	
19	7014476	1	CABLE, Positive 11" 8 AWG Red	
20	7023506	1	BEZEL	
21	7023653	1	FUSE, 20 Amp	
22	7022690	1	AMMETER	
23	7060982	1	OIL LIGHT	Was 22791
24	7026171	1	HARNESS, Headlight M&G Sockets	

### Footnotes:

**Electrical System (Kohler Engines Only)**



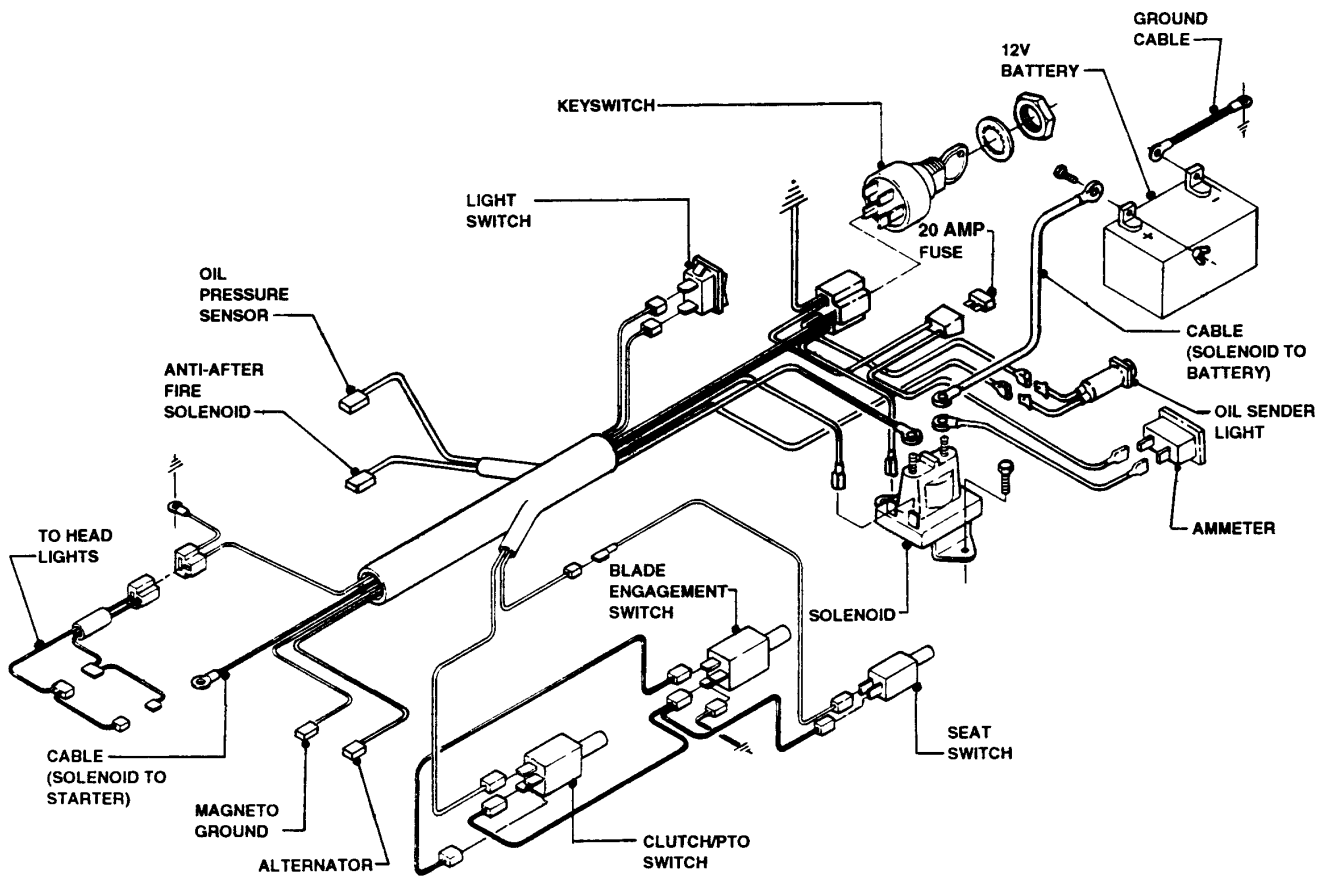
## ***Electrical System (Kohler Engines Only)***

---

<b>Item</b>	<b>Part No</b>	<b>Qty</b>	<b>Description</b>	<b>Note</b>
1	7022699	1	HARNESS, Wiring (Kohler Engine)	
2	7024126	1	HARNESS, Interlock	
3	7023355	2	SWITCH, Clutch & PTO (NC/NO)	
4	7023354	1	SWITCH, Seat (NC)	<i>Was 17590</i>
5	7075622	1	SOLENOID	<i>Was 18604</i>
6	7023187	1	SWITCH, Light	
7	7027698	1	SWITCH, Key	<i>Was 18562 (Includes 2 of Item 8)</i>
8	7073406	2	KEY, Switch (With Cover)	<i>Was 23504</i>
9	7012685	1	NUT, 5/8-32 Hex	
10	7012444	1	COVER, Positive Terminal	
11	7014475	1	CABLE, Negative 15" 8 AWG Black	
12	7091530	2	BOLT, 1/4-20 x 3/4" Carriage	<i>Was 90074</i>
13	7091568	2	NUT, 1/4-20 Wing	<i>Was 90311</i>
14	7060618	1	KIT, Battery	
15	7091122	2	SCREW, 1/4-20 x 1/2" Self-Tapping	<i>Was 90539</i>
16	7090913	4	SCREW, #10-24 x 1/2" Hex Washer Self-Tap (Torx)	<i>Was 90307</i>
17	7014451	1	TIE, Wire	
18	7012080	1	TIE, Cable 7"	
19	7014476	1	CABLE, Positive 11" 8 AWG Red	
20	7023506	1	BEZEL	
21	7023653	1	FUSE, 20 Amp	
22	7022690	1	AMMETER	
23	7060982	1	OIL LIGHT	<i>Was 22791</i>
24	7026171	1	HARNESS, Headlight M&G Sockets	

### **Footnotes:**

**Illustrated Diagram Briggs Engine Models**

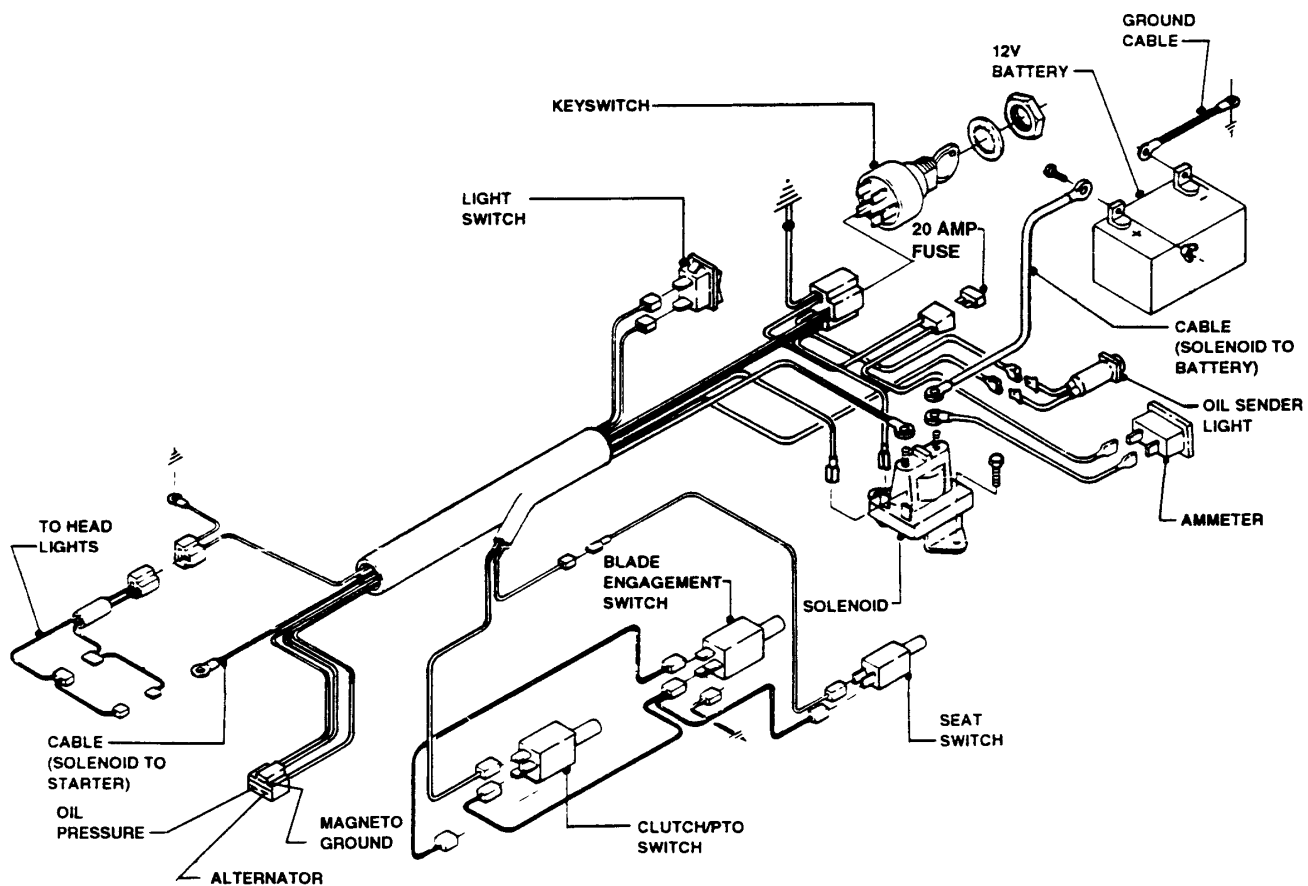


## ***Illustrated Diagram Briggs Engine Models***

---

<b>Item</b>	<b>Part No</b>	<b>Qty</b>	<b>Description</b>	<b>Note</b>
			Electrical diagram for Briggs engine models	

**Footnotes:**





## ***Illustrated Diagram Kohler Engine Models***

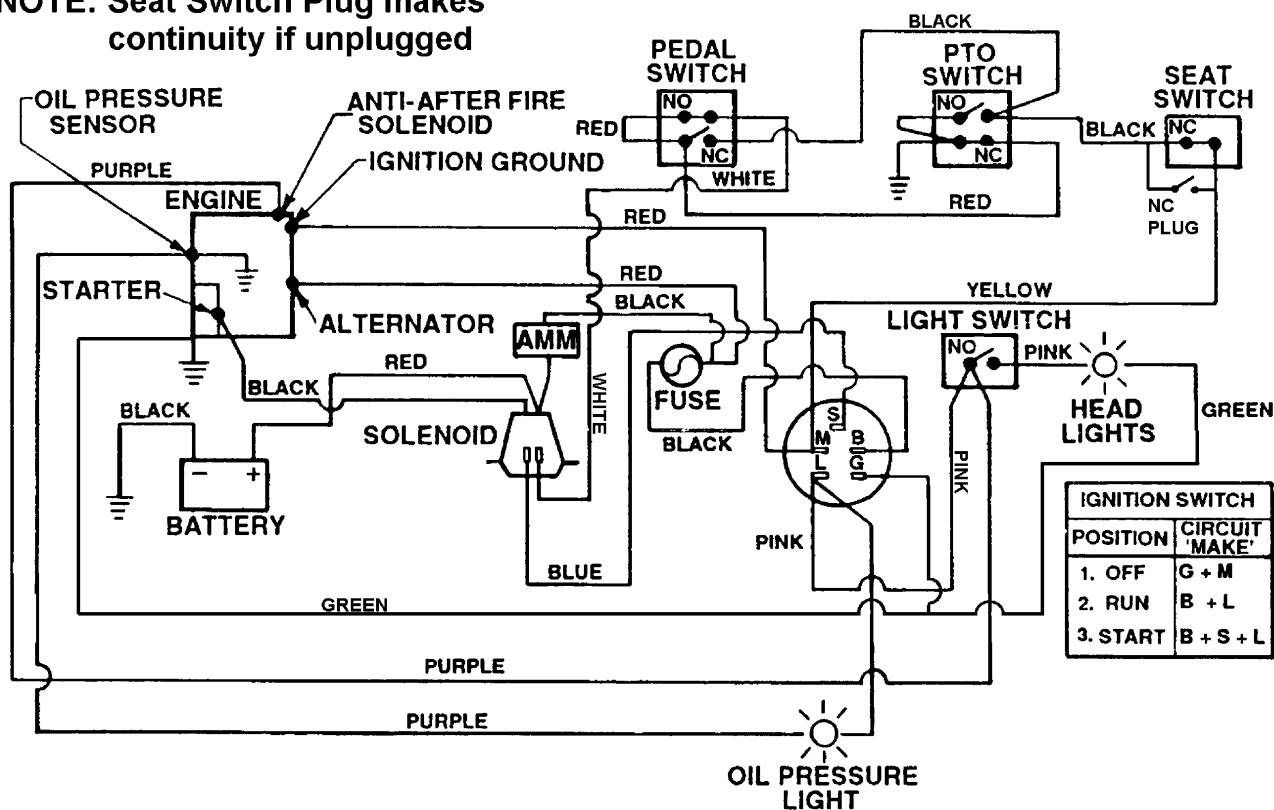
---

<b>Item</b>	<b>Part No</b>	<b>Qty</b>	<b>Description</b>	<b>Note</b>
			Electrical diagram for Kohler engine models	

**Footnotes:**

**Schematic Electrical System (Briggs Engine Only)**

**NOTE: Switches shown with,  
Pedal locked down  
Blade disengaged  
Seat vacant**  
**NOTE: Seat Switch Plug makes  
continuity if unplugged**



## ***Schematic Electrical System (Briggs Engine Only)***

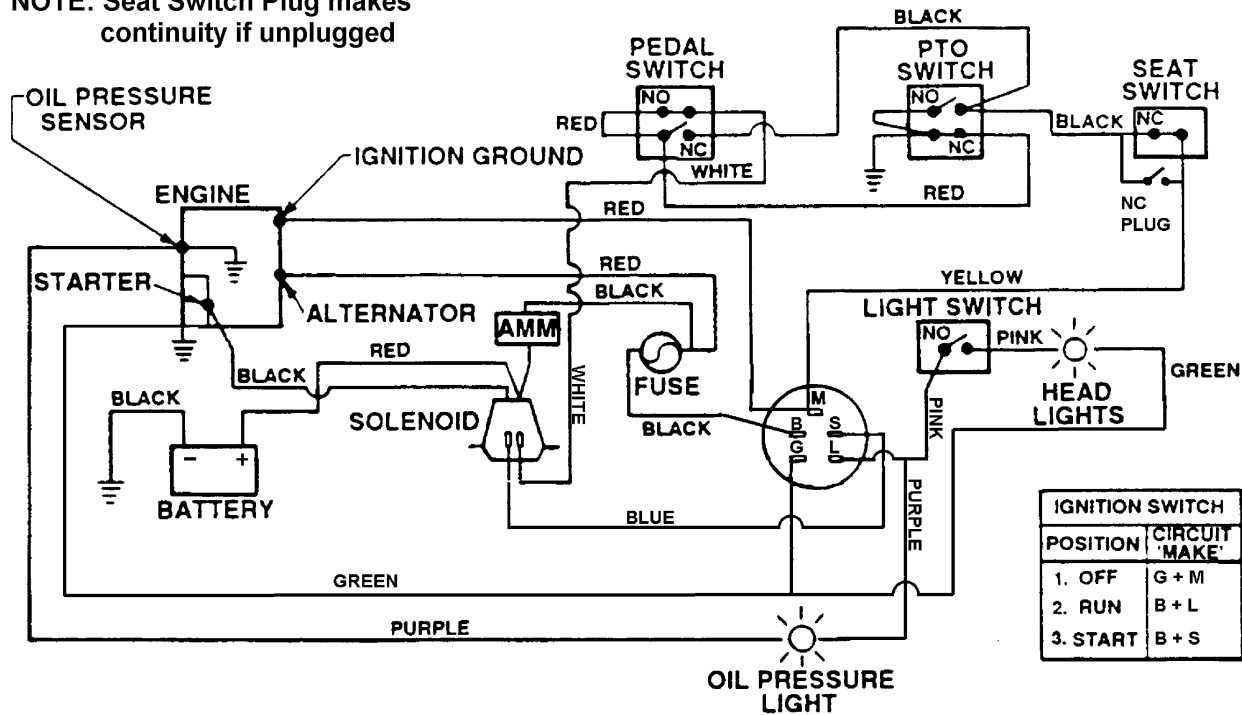
---

<b>Item</b>	<b>Part No</b>	<b>Qty</b>	<b>Description</b>	<b>Note</b>
			Wiring schematic includes harness #'s 7026668 & 7024126	

**Footnotes:**

**Schematic Electrical System (Kohler Engines Only)**

NOTE: Switches shown with,  
 Pedal locked down  
 Blade disengaged  
 Seat vacant  
 NOTE: Seat Switch Plug makes  
 continuity if unplugged



## ***Schematic Electrical System (Kohler Engines Only)***

---

<b>Item</b>	<b>Part No</b>	<b>Qty</b>	<b>Description</b>	<b>Note</b>
			Wiring schematic includes harness #'s 7022699 & 7024126	

**Footnotes:**





*Parts Manual for*

**SNAPPER®**

**LAWN TRACTORS MANUAL CLUTCH  
HYDRO DRIVE  
SERIES 2**

IT IS THE POLICY OF SNAPPER TO IMPROVE ITS PRODUCTS  
WHENEVER IT IS POSSIBLE AND PRACTICAL TO DO SO. WE  
RESERVE THE RIGHT TO MAKE CHANGES OR ADD IMPROVEMENTS  
AT ANY TIME WITHOUT INCURRING ANY OBLIGATION TO MAKE  
SUCH CHANGES ON PRODUCTS MANUFACTURED PREVIOUSLY.

**SNAPPER®** McDonough, GA, 30253 U.S.A.