

*Parts Manual for*  
**SNAPPER®**

**PRO HYDRO WALK BEHIND MOWERS  
MID-SIZE  
SERIES 3**

<b>POWER UNIT MODELS</b>	<b>MOWER MODELS</b>
<b>SPLH153KW SPLH173KW</b>	<b>SPA361 SPA481 SPA521 SPA611</b>



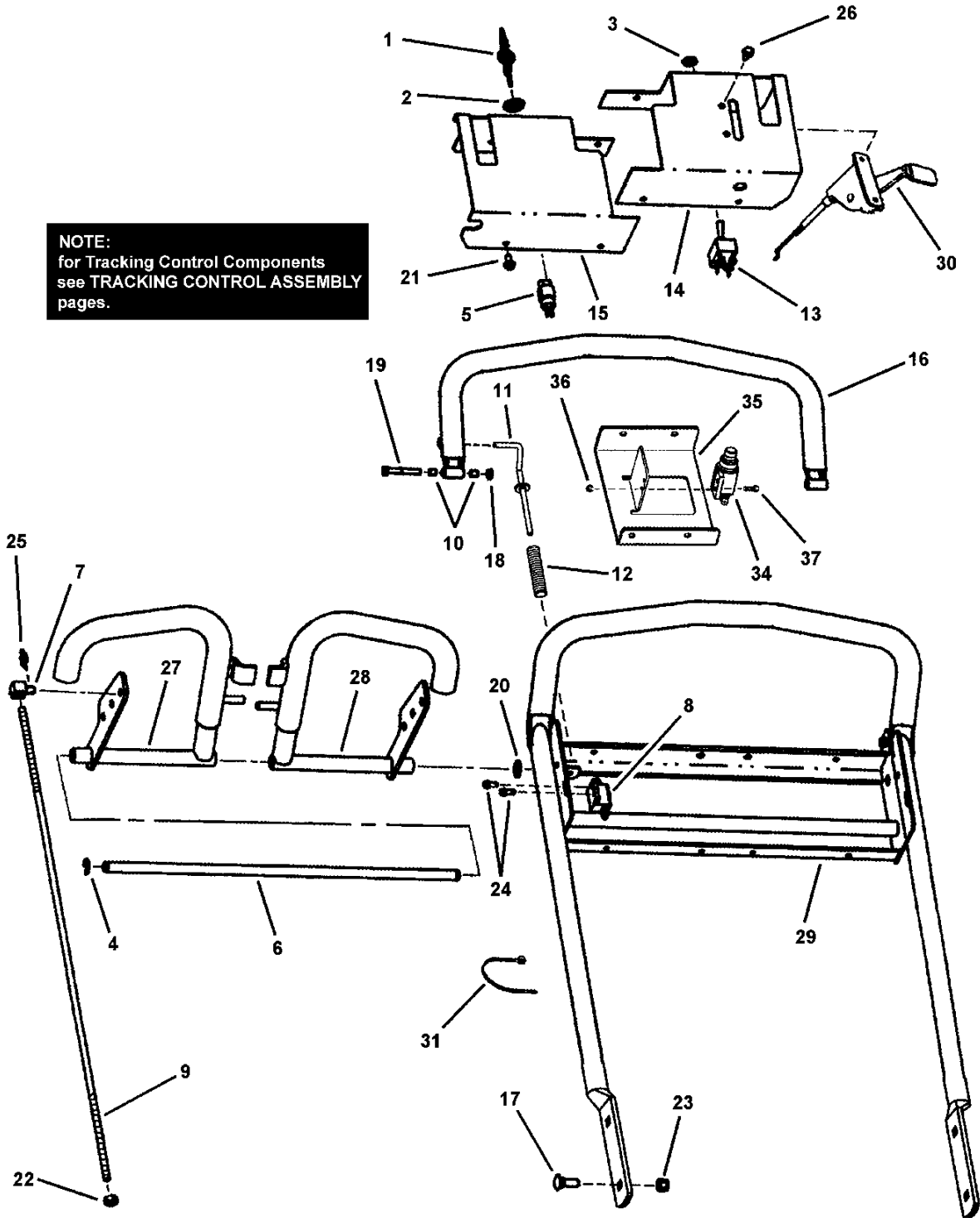
**SNAPPER®** McDonough, GA, 30253 U.S.A.



<b>PAGE</b>	<b>GROUP</b>
4	LOOP HANDLE & CONTROL ASSEMBLIES
6	TRACKING CONTROL ASSEMBLY
8	OIL TANK ASSEMBLY
10	FUEL TANK ASSEMBLY
12	REAR DECK ASSEMBLY
14	RH PUMP ASSEMBLY
16	LH PUMP ASSEMBLY
18	POWER UNIT IDLER ASSEMBLY
20	ENGINE GROUP
22	TRACTION, REAR WHEEL ASSEMBLY
24	CASTER, WHEEL & TIRE ASSEMBLY
26	36" MOWER DECK ASSEMBLY (Adjustable Height)
30	48", 52" & 61" MOWER DECK ASSY (Frame)
34	48", 52" & 61" MOWER DECK ASSY (Deck)
38	36" DECK IDLER ASSEMBLY
40	48" & 61" DECK IDLER ASSEMBLY
42	52" DECK IDLER ASSEMBLY
44	CUTTER HOUSING ASSEMBLY
46	DECAL GROUP
48	ELECTRICAL WIRING (Manual Start)
50	WIRING SCHEMATIC (Manual Start)

# LOOP HANDLE & CONTROL ASSEMBLIES

**NOTE:**  
for Tracking Control Components  
see TRACKING CONTROL ASSEMBLY  
pages.



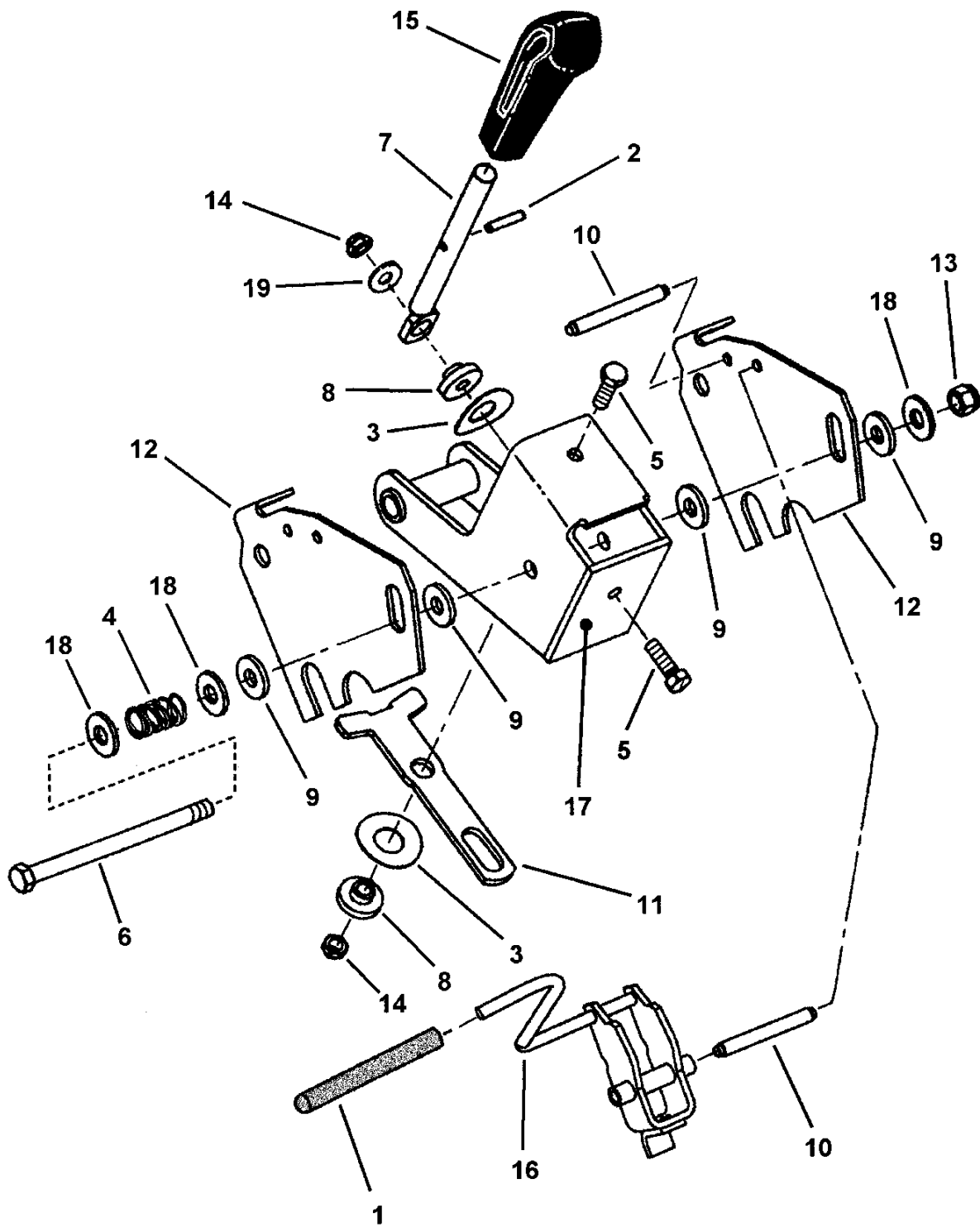
## LOOP HANDLE & CONTROL ASSEMBLIES

Item	Part No	Qty	Description	Note
1	7011138	1	IGNITION KEY, Pair	
2	7012685	1	NUT, 5/8-32 Hex (Ignition Switch)	
3	7012686	1	NUT, 1/2-27 Hex (Special)	
4	7014341	2	RETAINING RING	Truarc #5133-50
5	7017817	1	SWITCH, Ignition, 2-Pole, Recoil Start	
6	7022166	1	ROD, Pivot, 1/2" Dia. x 18.542 w/2 retaining Ring Grooves	
7	7027141	2	SWIVEL	
8	7027225	1	SWITCH, OPC, Single Pole (NC)	
9	7028856	2	CONTROL ROD, Traction (5/16-24 threads)	
10	7028857	4	BEARING, Nylon	
11	7074648	1	ROD, Operator Presence Control	
12	7029139	1	SPRING, OPC- Loop Handle	
13	7029715	1	SWITCH, Toggle	
14	7034827	1	PANEL, Left	
15	7034828	1	PANEL, Right	
16	7041748	1	BAIL, Operator Presence Control (Weldment)	
17	7091303	4	BOLT, 5/16-18 x 1" Short Neck Carriage, GR 5	
18	7090977	2	NUT, 1/4-20 Hex Jam	
19	7091003	2	BOLT, 1/4-20 x 1-3/4" Hex Head Cap, GR 5	was 7091222
20	7091030	2	BUSHING, 1/2" Machine	
21	7091122	8	SCREW, 1/4-20 x 1/2" Hex Washer Self-Tap	
22	7091297	2	NUT, 5/16-24 Hex, GR 5	
23	7091299	4	NUT, 3/8-16 Hex Nyloc	
24	7077873	2	SCREW, #12-14 x 1/2" Hex Flange Self-Tap	
25	7091594	2	COTTER PIN, 1/2" Self-Locking	
26	7091686	2	SCREW, 1/4-20 x 3/4" Hex Washer Self-Tap	
27	7034820	1	WELDMENT, Traction Lever, RH	
28	7034821	1	WELDMENT, Traction Lever, LH	
29	7043869	1	HANDLE, Loop (Weldment)	
30	7072597	1	THROTTLE CONTROL, 51.50/0.90	
31	7012080	4	CABLE TIE, 7"	
32	7073118	1	*WIRE HARNESS	not shown
33	7074852	1	*HARNESS, Wiring Pigtail	not shown
34	7073141	1	SWITCH, Interlock, Sealed (NC)	
35	7073139	1	BRACKET, Interlock Switch	
36	7090376	2	NUT, #10-32 Hex Nyloc	
37	7091240	2	SCREW, #10-32 x 5/8" Hex Machine	

### Footnotes

\*NOTE: See Electrical Wiring pages for Illustration.

# TRACKING CONTROL ASSEMBLY



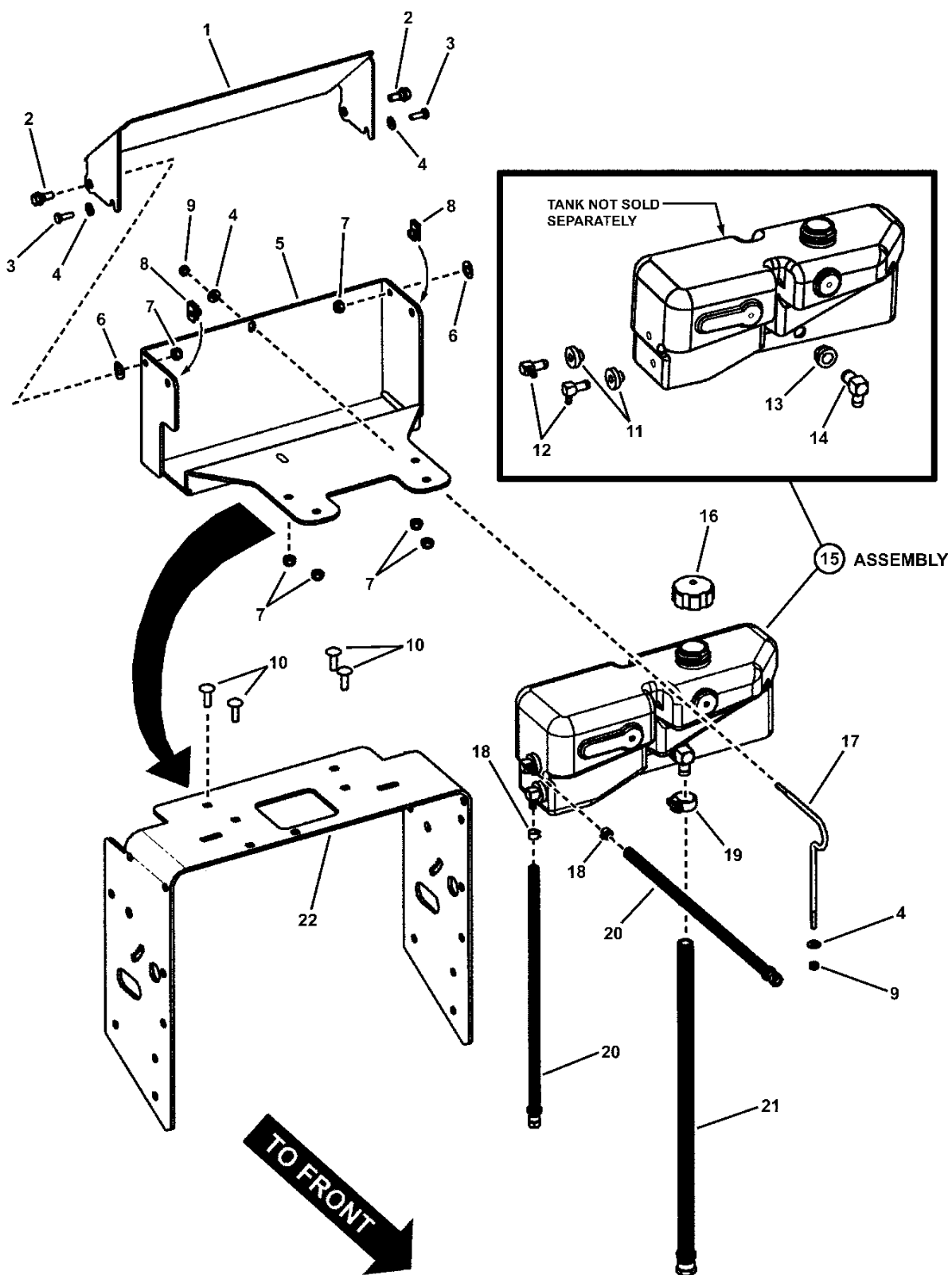
## TRACKING CONTROL ASSEMBLY

---

Item	Part No	Qty	Description	Note
1	7011879	1	GRIP, Vinyl	
2	7013550	1	PIN, 3/16 x 1" Roll	
3	7011121	2	WASHER, 5/8" I.D., 1-1/4" O.D. Belleville	
4	7027125	1	SPRING, Compression	
5	7027168	2	SCREW, 5/16-18 X 1" Hex Head Cap, GR 5	
6	7027169	1	SCREW, 3/8-16 x 5" Hex Head Cap, GR 5	
7	7028859	1	LEVER	
8	7028860	2	BUSHING	
9	7029040	4	WASHER, Slipper	
10	7034803	2	PIN, Shoulder	
11	7034830	1	CAM, Track	
12	7034877	2	PLATE, Speed, Accutrack	
13	7091299	1	NUT, 3/8-16 Hex Nyloc	
14	7091706	2	NUT, 5/16-18 Hex Top Lock, GR B	
15	7019376	1	HANDLE, Shift Lever	
16	7059115	1	WELDMENT, Neutral Latch	
17	7041772	1	TRACK, Welded	
18	7090517	3	WASHER, 3/8" Flat	was 7091300
19	7091130	1	WASHER, .33 x .88 x .09 Flat	

### Footnotes

# OIL TANK ASSEMBLY





## OIL TANK ASSEMBLY

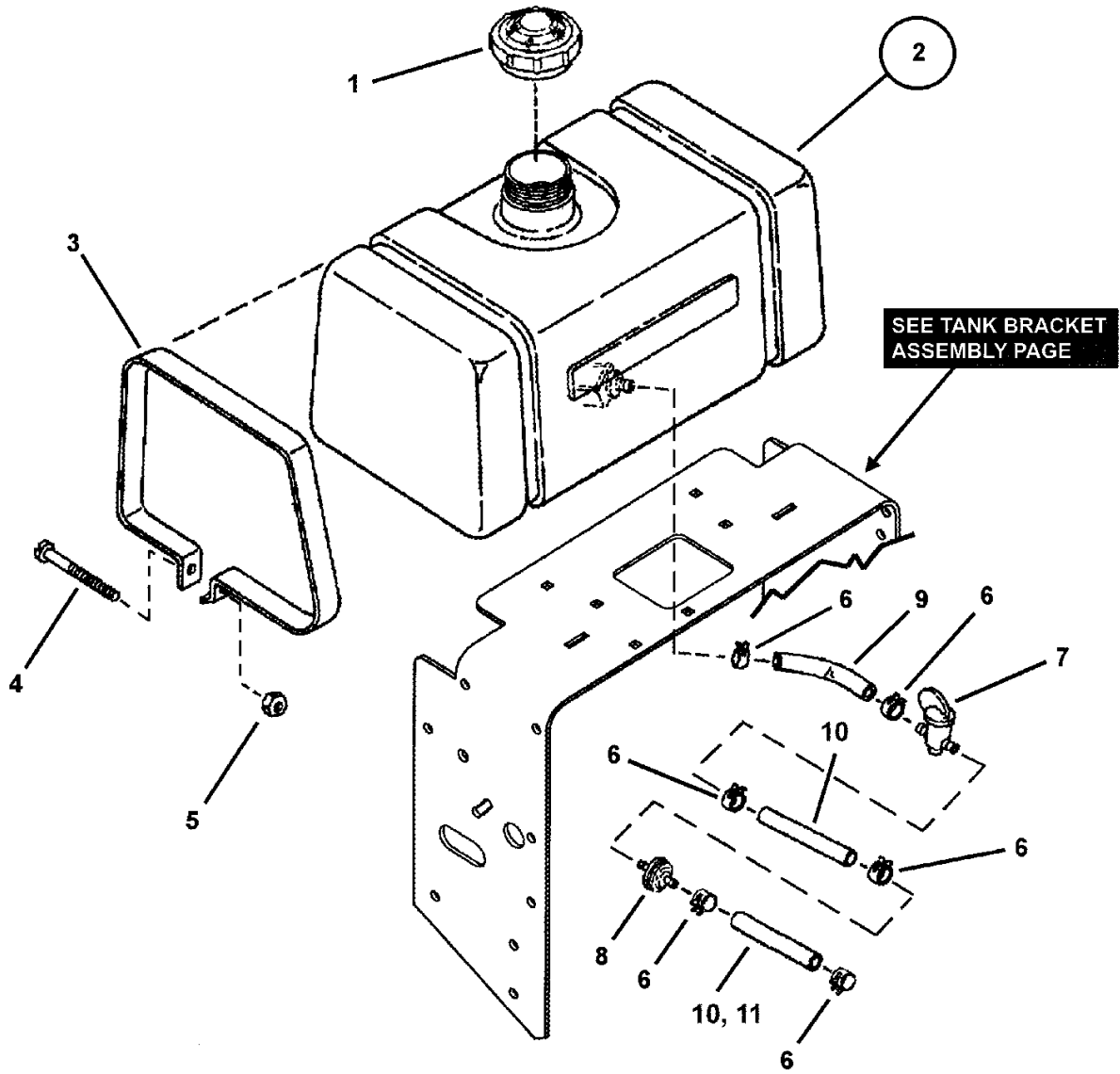
---

Item	Part No	Qty	Description	Note
1	7072899	1	COVER, Oil Tank Bracket	
2	7015761	2	SHOULDER BOLT, 5/16-18	
3	7091495	2	SCREW, 1/4-20 x 3/4" Hex Head Cap, GR 5	
4	7091294	4	WASHER, .28 x .63 x .06 Flat	
5	7072895	1	BRACKET, Reservoir, Hydro	
6	7011079	2	WASHER, 3/8" Curved	
7	7091298	6	NUT, 5/16-18 Hex Nyloc	
8	7023295	2	U-NUT 1/4-20	
9	7091705	2	NUT, 1/4-20 Hex Top Lock, GR B	
10	7091303	4	BOLT, 5/16-18 x 1" Short Neck Carriage, GR 5	
11	--	2	GROMMET	<i>Dapco p/n 10672</i>
12	--	2	*ELBOW	<i>Dapco p/n 11021</i>
13	--	1	GROMMET	<i>Dapco p/n 12078</i>
14	7073238	1	*ELBOW	<i>Dapco p/n 12183</i>
15	7058610	1	OIL TANK (Includes Cap)	
16	7035512	1	CAP, Oil Tank, Vented	
17	7072896	1	RETAINING ROD, Reservoir (1/4-20 threads)	
18	7012222	2	CLAMP, Fuel Hose	
19	7016130	1	CLAMP, 13/16" Hose	
20	7078029	2	HOSE, Return, 15-1/4" (7/16-20 Fitting on One End)	
21	7072897	1	HOSE, 1/2 x 19-1/2" Supply (3/4-16 Fitting on One End)	
22	7042584	1	WELDMENT, Tank Bracket- Hydro	

### Footnotes

\*NOTE: Fittings must withstand pull test of 35 lbs. min.

# FUEL TANK ASSEMBLY



## FUEL TANK ASSEMBLY

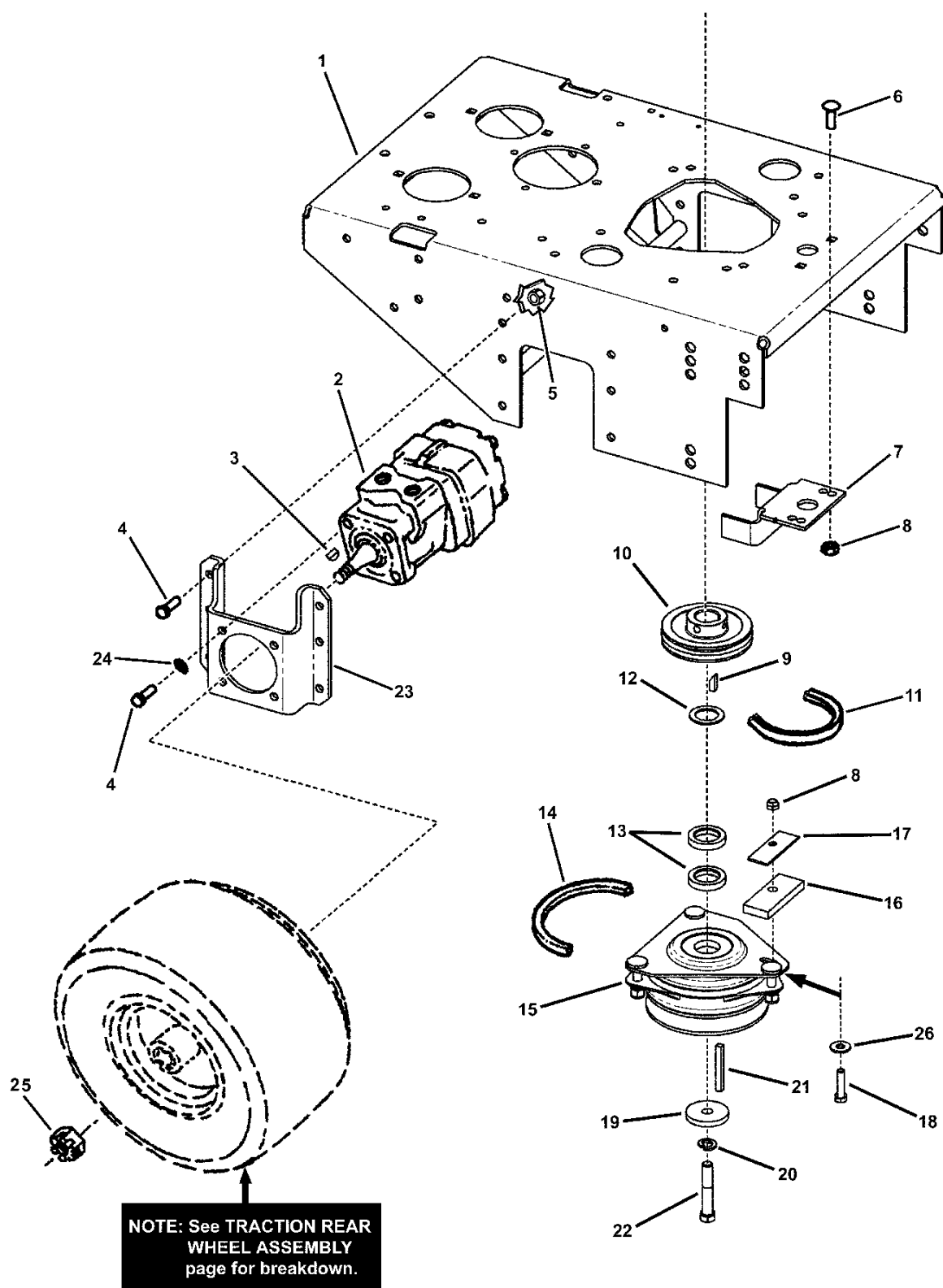
---

Item	Part No	Qty	Description	Note
1	7028903	1	CAP, Fuel Tank	<i>Kelch # 200972</i>
2	7044639	1	FUEL TANK	<i>includes item 1</i>
3	7034923	2	STRAP, Tank	
4	7091207	2	SCREW, #10-24 x 2-1/2" Pan Head Machine	
5	7091290	2	NUT, #10-24 Hex Nyloc	
6	7012222	6	CLAMP, Fuel Hose	<i>or 29900</i>
7	7016325	1	VALVE, Fuel	
8	7014359	1	FILTER, In-Line	
9	7032956	1	*HOSE, Fuel (1/4" I.D. x 10" Long)	
10	7024055	2	*HOSE, Fuel (1/4" I.D. x 6-1/2" Long)	
11	7076272	1	*HOSE, Fuel (1/4" I. D. x " 8-1/2 Long)	

### Footnotes

\*NOTE: When ordering hoses, measure length of hose to be replaced or distance between connections.

# REAR DECK ASSEMBLY



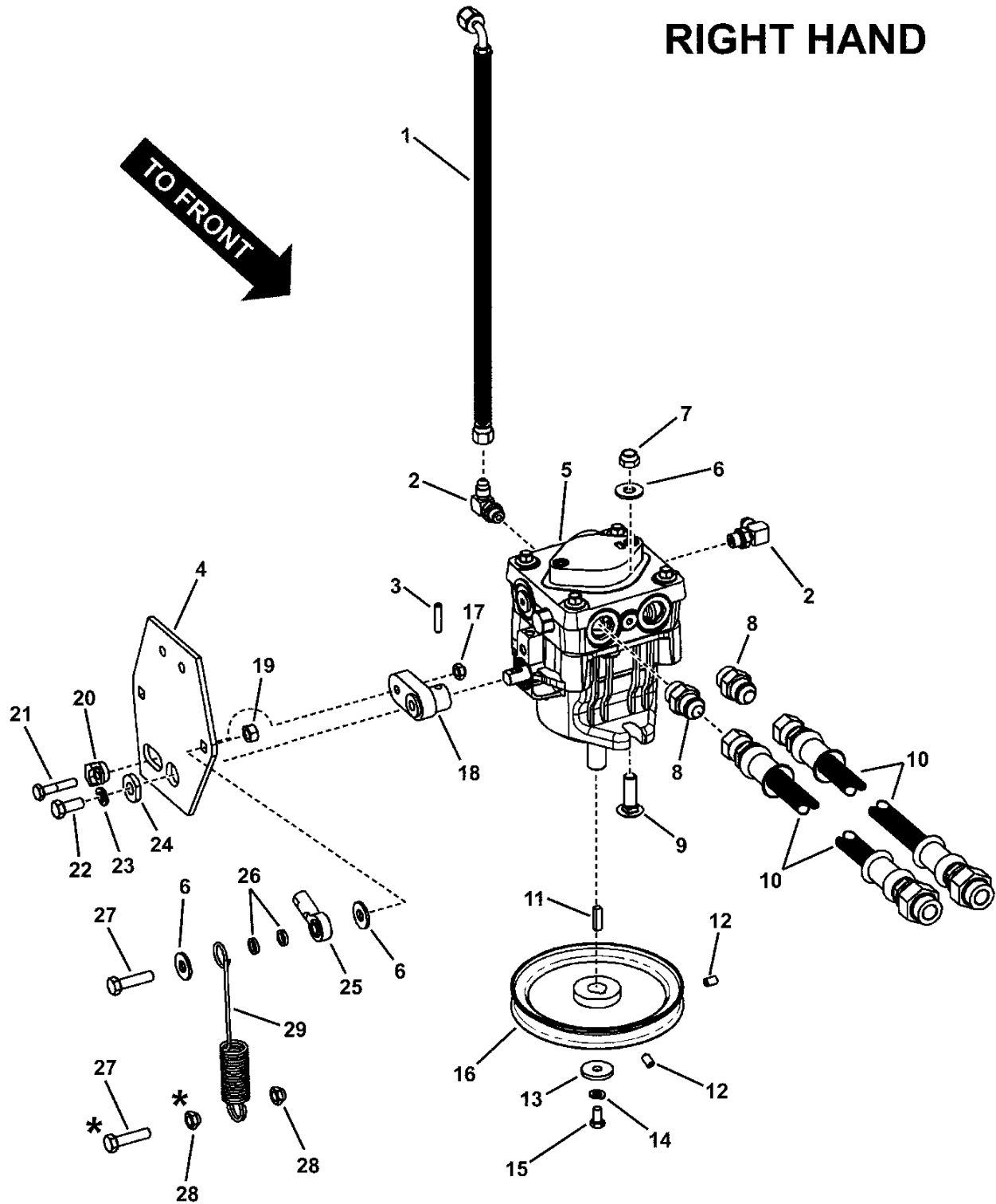
## REAR DECK ASSEMBLY

Item	Part No	Qty	Description	Note
1	7044679	1	DECK, Rear (Weldment)	
2	7046255	2	WHEEL MOTOR	<i>includes item 16</i>
3	7091823	2	KEY, 5/32 x 5/8" Woodruff	<i>SAE J502</i>
4	7091304	20	SCREW, 3/8-16 x 1" Hex Head Cap, GR 5	
5	7091704	14	NUT, 3/8-16 Hex Top Lock, GR B	
6	7091303	2	BOLT, 5/16-18 x 1" Short Neck Carriage, GR 5	
7	7035267	1	BRACKET, Anti-Spin	
8	7091706	3	NUT, 5/16-18 Hex Top Lock, GR B	
9	7044751	1	KEY, 1/4" Square w/Bevel (3/4" long)	
10	7027132	1	PULLEY, 4", Engine/Hydro	
11	7029615	1	V-BELT, HA4950 Engine/Hydro	<i>Dayco# 43-8498</i>
12	7016561	1	BUSHING, 1" x 14 Ga Machine	
13	7075084	2	SPACER, Clutch, Ogura	
14	7035710	1	*V-BELT, Sect HB, Nom. Effective Length: 84.80" (Engine/Deck belt)	<i>used on 36" Deck</i>
14	7029262	1	*V-BELT, Sect HB, Nom. Effective Length: 66.00" (Primary Engine/Deck belt)	<i>used on 48" Deck</i>
14	7042813	1	*V-BELT, Sect HB, Nom. Effective Length: 67.80" (Engine/Deck belt)	<i>used on 52" Deck</i>
14	7042735	1	*V-BELT, Sect HB, Nom. Effective Length: 74.00" (Primary Engine/Deck belt)	<i>used on 61" Deck</i>
15	7075672	1	**CLUTCH, Electric (Ogura model GT2.5 SN01)	<i>requires use of 7017033, 7075082 &amp; 7075084</i>
16	7029704	1	BUMPER, Electric Clutch	
17	7034448	1	WASHER, Rectangular Steel	<i>electric clutch bumper support</i>
18	7091527	1	SCREW, 5/16-18 x 1-1/4" Hex Head Cap, GR 5	
19	7075082	1	SPACER, Clutch	
20	7091301	1	WASHER, 7/16" Split Lock	
21	7017033	1	KEY, 1/4" Square x 2-1/4"	
22	7092071	1	SCREW, 7/16-20 x 2-1/2" Hex Head Cap, GR 5 (w/locking patch)	<i>or 7091703</i>
23	7034647	2	BRACKET, Wheel, Hydro Gear	
24	7091320	8	WASHER, 3/8" Split Lock	
25	7091828	1	NUT, 3/4-20 Hex Castle	
26	7091528	1	WASHER, .375 I.D. x .875 O.D. Flat	

### Footnotes

\*NOTE: Part numbers are printed on belts.

\*\*NOTE: 7074223 (Clutch Ass'y.) includes items 8, 9, 10, 12, 13, 15-22 & 26.



**RIGHT HAND**

**TO FRONT**

**\*NOTE: ATTACHES TO ENGINE FRAME.**

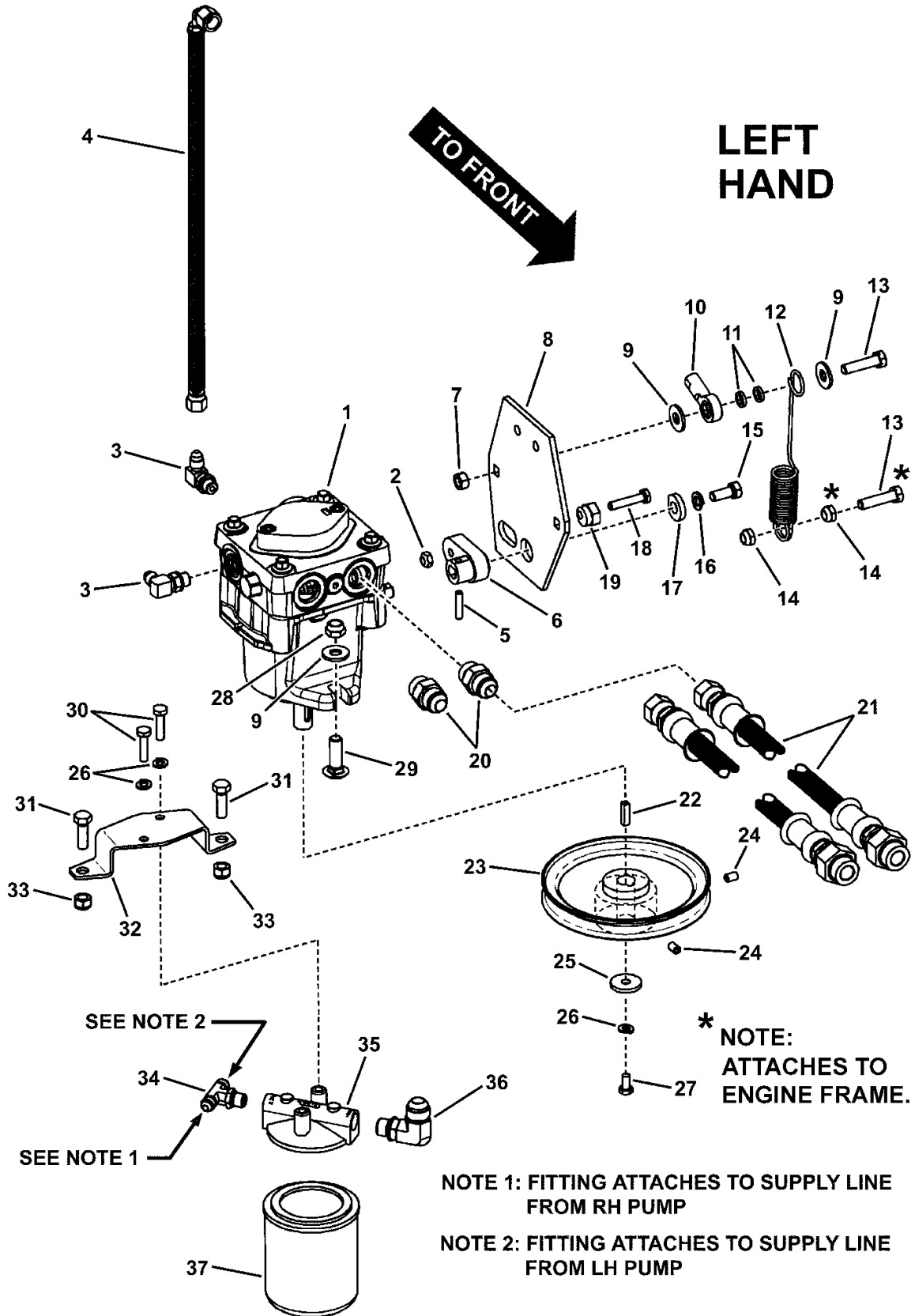
## RH PUMP ASSEMBLY

---

Item	Part No	Qty	Description	Note
1	7078030	1	HOSE ASSEMBLY, Pro Hydro Series 3 (13.5" hose length)	<i>filter to pump</i>
2	7027111	2	FITTING, 90 Degree- "O"-Ring Boss	
3	7091721	1	ROLL PIN, 5mm x 25mm	
4	7072893	1	SHIFT ARM, Pump	
5	7011223	1	PUMP, Hydraulic, RH, HG, Pro Ser. 3	
6	7091528	4	WASHER, 3/8" I.D. x 7/8" O.D. x 1/16" Flat	
7	7091704	2	NUT, 3/8-16 Hex Top Lock, GR B	
8	7034926	2	FITTING, Hydraulic, Straight 3/4-16 UNF	
9	7027181	2	BOLT, 3/8-16 x 1-1/4" Short Neck Carriage, GR 5	
10	7029058	2	HOSE, Pump/Motor, High Pressure 21-1/2"	
11	7027199	1	KEY, M5 x M20	
12	7077680	2	SETSCREW- 1/4-20 x 3/8" Socket Head Knurled Cup Point	
13	7091627	1	WASHER, 1/4" Flat	
14	7027223	1	WASHER, 1/4" I.D. Split Lock	
15	7091835	1	SCREW, M6 1.0 x 12mm Hex Head Cap	
16	7027131	1	PULLEY, 5.5 w/Set Screws	<i>Includes two 1/4-20 set screws</i>
17	7091705	1	NUT, 1/4-20 Hex Top Lock, GR B	
18	7028863	1	ARM, Pump	
19	7091575	1	NUT, 5/16-18 Hex Center Lock, GR 5 or B	
20	7028862	1	ECCENTRIC	
21	7090825	1	SCREW, 1/4-20 x 1-1/4, Hex Head Cap, GR 5	
22	7091318	1	SCREW, 5/16-18 x 3/4" Hex Head Cap, GR 5	
23	7091315	1	WASHER, .32 x .58 x .08 Split Lock	
24	7029000	1	SPACER, Blade Hub	
25	7027139	1	ROD END, Pump Control Linkage (5/16-24 thread)	
26	7028907	2	BUSHING, Spring	
27	7091527	2	SCREW, 5/16-18 x 1-1/4" Hex Head Cap, GR 5	
28	7091706	2	NUT, 5/16-18 Hex Top Lock, GR B	
29	7072579	1	SPRING, Hydro	

### Footnotes

# LH PUMP ASSEMBLY



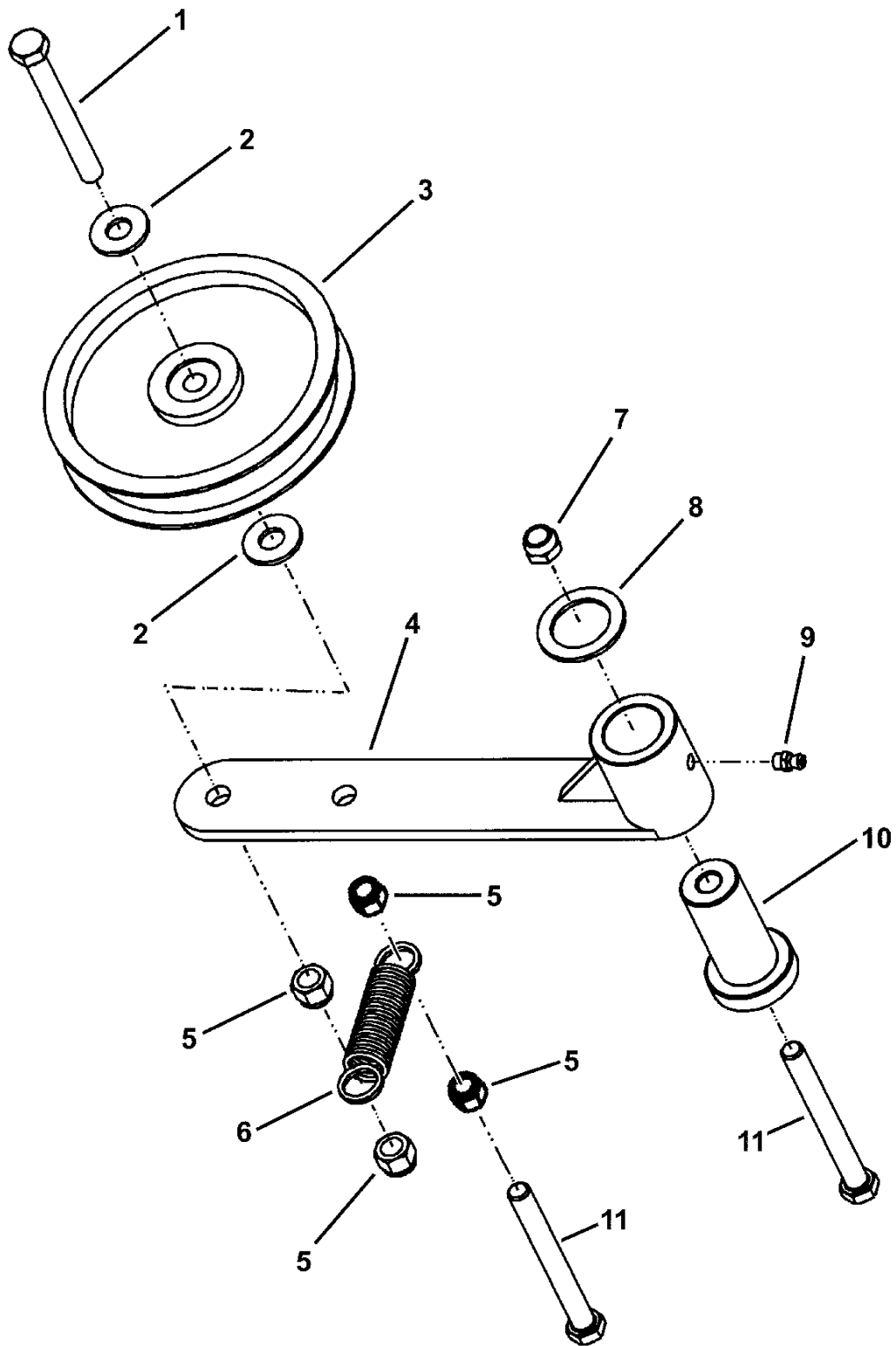


## LH PUMP ASSEMBLY

Item	Part No	Qty	Description	Note
1	7011222	1	PUMP, Hydraulic, LH, HG, Pro Ser. 3	
2	7091705	1	NUT, 1/4-20 Hex Top Lock, GR B	
3	7027111	2	FITTING, 90 Degree- "O"-Ring Boss	
4	7078030	1	HOSE ASSEMBLY, Pro Hydro Series 3 (13.5" hose length)	<i>filter to pump</i>
5	7091721	1	ROLL PIN, 5mm x 25mm	
6	7028863	1	ARM, Pump	
7	7091575	1	NUT, 5/16-18 Hex Center Lock, GR 5 or B	
8	7072893	1	SHIFT ARM, Pump	
9	7091528	4	WASHER, 3/8" I.D. x 7/8" O.D. x 1/16" Flat	
10	7027139	1	ROD END, Pump Control Linkage (5/16-24 thread)	
11	7028907	2	BUSHING, Spring	
12	7072579	1	SPRING, Hydro	
13	7091527	2	SCREW, 5/16-18 x 1-1/4" Hex Head Cap, GR 5	
14	7091706	2	NUT, 5/16-18 Hex Top Lock, GR B	
15	7091318	1	SCREW, 5/16-18 x 3/4" Hex Head Cap, GR 5	
16	7091315	1	WASHER, .32 x .58 x .08 Split Lock	
17	7029000	1	SPACER, Blade Hub	
18	7090825	1	SCREW, 1/4-20 x 1-1/4, Hex Head Cap, GR 5	
19	7028862	1	ECCENTRIC	
20	7034926	2	FITTING, Hydraulic, Straight 3/4-16 UNF	
21	7029058	2	HOSE, Pump/Motor, High Pressure 21-1/2"	
22	7027199	1	KEY, M5 x M20	
23	7027131	1	PULLEY, 5.5 w/Set Screws	<i>Includes two 1/4-20 set screws</i>
24	7077680	2	SETSCREW- 1/4-20 x 3/8" Socket Head Knurled Cup Point	
25	7091627	1	WASHER, 1/4" Flat	
26	7027223	3	WASHER, 1/4" I.D. Split Lock	
27	7091835	1	SCREW, M6 1.0 x 12mm Hex Head Cap	
28	7091704	2	NUT, 3/8-16 Hex Top Lock, GR B	
29	7027181	2	BOLT, 3/8-16 x 1-1/4" Short Neck Carriage, GR 5	
30	7027230	2	SCREW, 1/4-20 x 1" Hex Head Cap, GR 5	
31	7027168	2	SCREW, 5/16-18 X 1" Hex Head Cap, GR 5	
32	7075919	1	BRACKET, Filter	
33	7091298	2	NUT, 5/16-18 Hex Nyloc	
34	7078028	1	FITTING, Tee, 4-4-6 w/37 Degree Flare	<i>Parker p/n 4-4-6 S50X-S</i>
35	5023096	1	FILTER HEAD	
36	7078027	1	FITTING, 90 Degree w/37 Degree Flare	<i>Parker p/n 8-6 C50X-S</i>
37	1719168	1	OIL FILTER	

### Footnotes

**POWER UNIT IDLER ASSEMBLY**

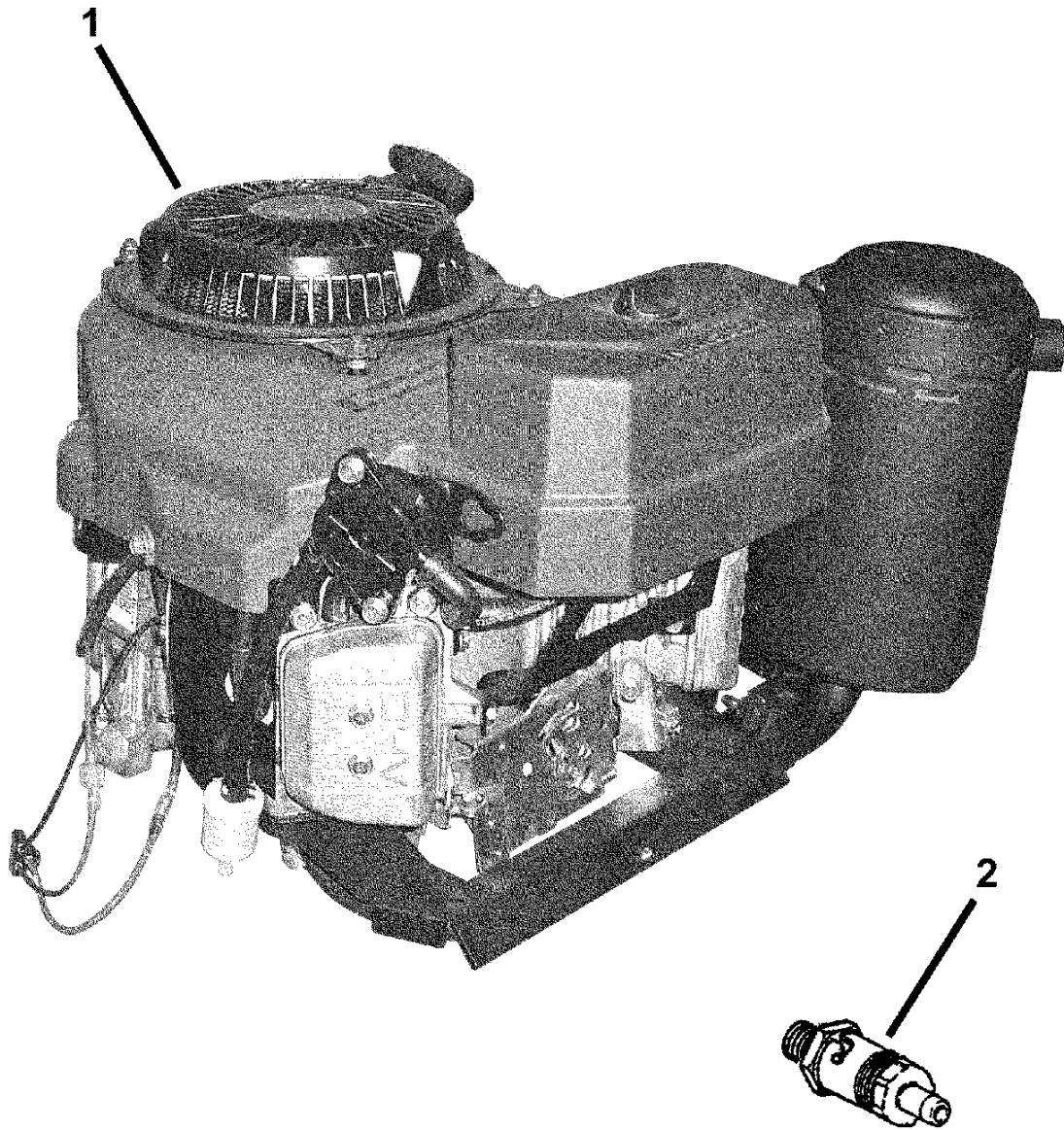


## **POWER UNIT IDLER ASSEMBLY**

---

<b>Item</b>	<b>Part No</b>	<b>Qty</b>	<b>Description</b>	<b>Note</b>
1	7027220	1	BOLT, 3/8-16 x 3-1/4" Hex Head, GR 5	
2	7090517	2	WASHER, 3/8" Flat	
3	7027129	1	PULLEY, Idler	
4	7026886	1	IDLER ARM Weldment	
5	7091299	4	NUT, 3/8-16 Hex Nyloc	
6	7027124	1	SPRING, Idler Tension (extension)	
7	7091704	1	NUT, 3/8-16 Hex Top Lock, GR B	
8	7016561	1	BUSHING, 1" x 14 Ga Machine	
9	7076998	1	GREASE FITTING, 1/4-28 Straight	
10	7016173	1	SPACER, Pivot	
11	7027221	2	BOLT, 3/8-16 x 3-1/2" Hex Head, GR 5	

### **Footnotes**



## **ENGINE GROUP**

---

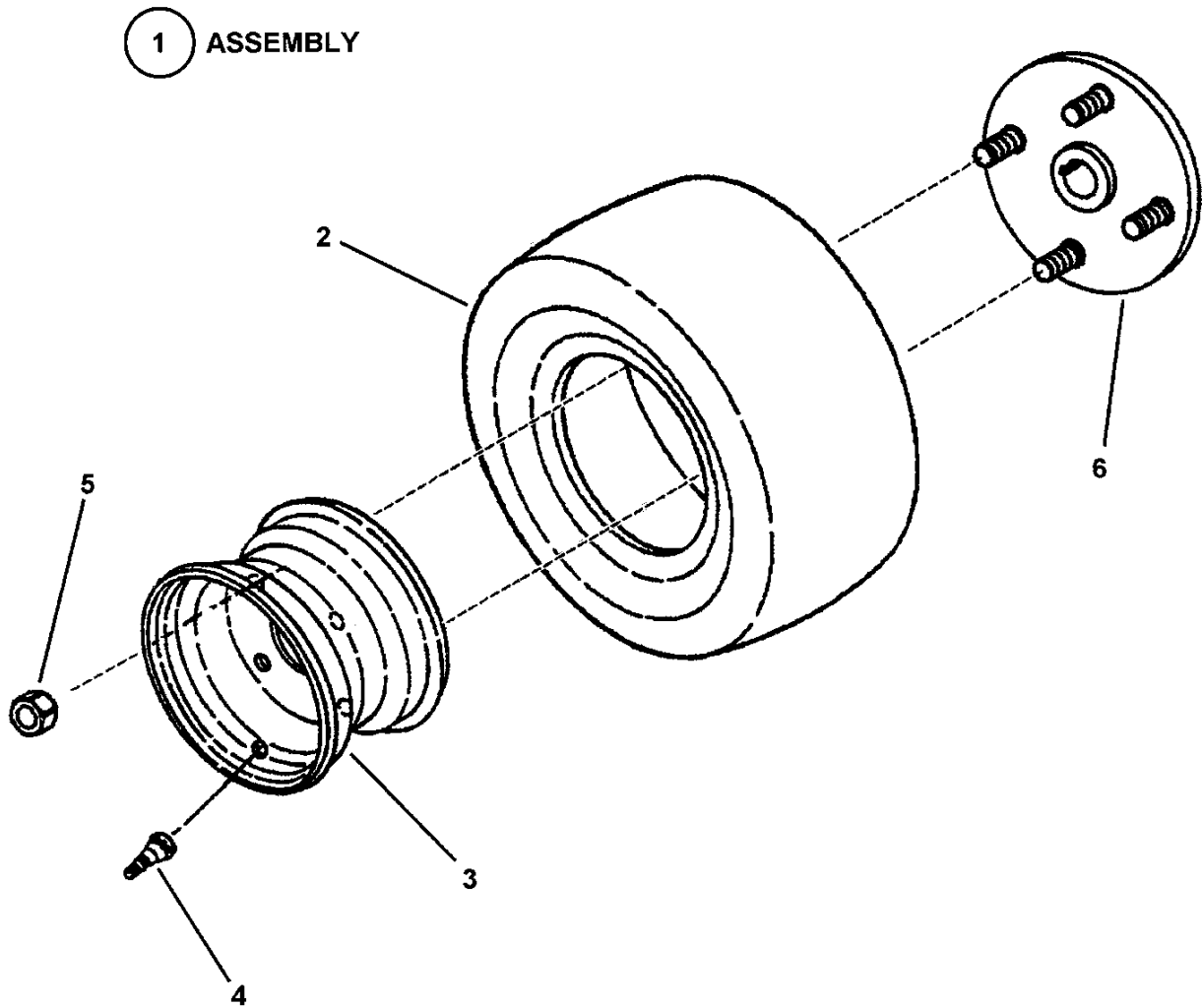
<b>Item</b>	<b>Part No</b>	<b>Qty</b>	<b>Description</b>	<b>Note</b>
1	**	1	ENGINE, 15HP Kawasaki	<i>Spec. No. FH430V-AS02</i>
1	**	1	ENGINE, 17HP Kawasaki	<i>Model No. FH541V-AS02</i>
2	7027972	1	ASSEMBLY, Oil Valve	
3	7074953	1	ADAPTER, Oil Drain	<i>Kawasaki #59071-7004 (not shown)</i>
4	7074954	1	O-RING	<i>Kawasaki #670D-2016 (not shown)</i>

### **Footnotes**

\*\*Purchase engine components directly from the engine manufacturer dealer.

**TRACTION, REAR WHEEL ASSEMBLY**

---



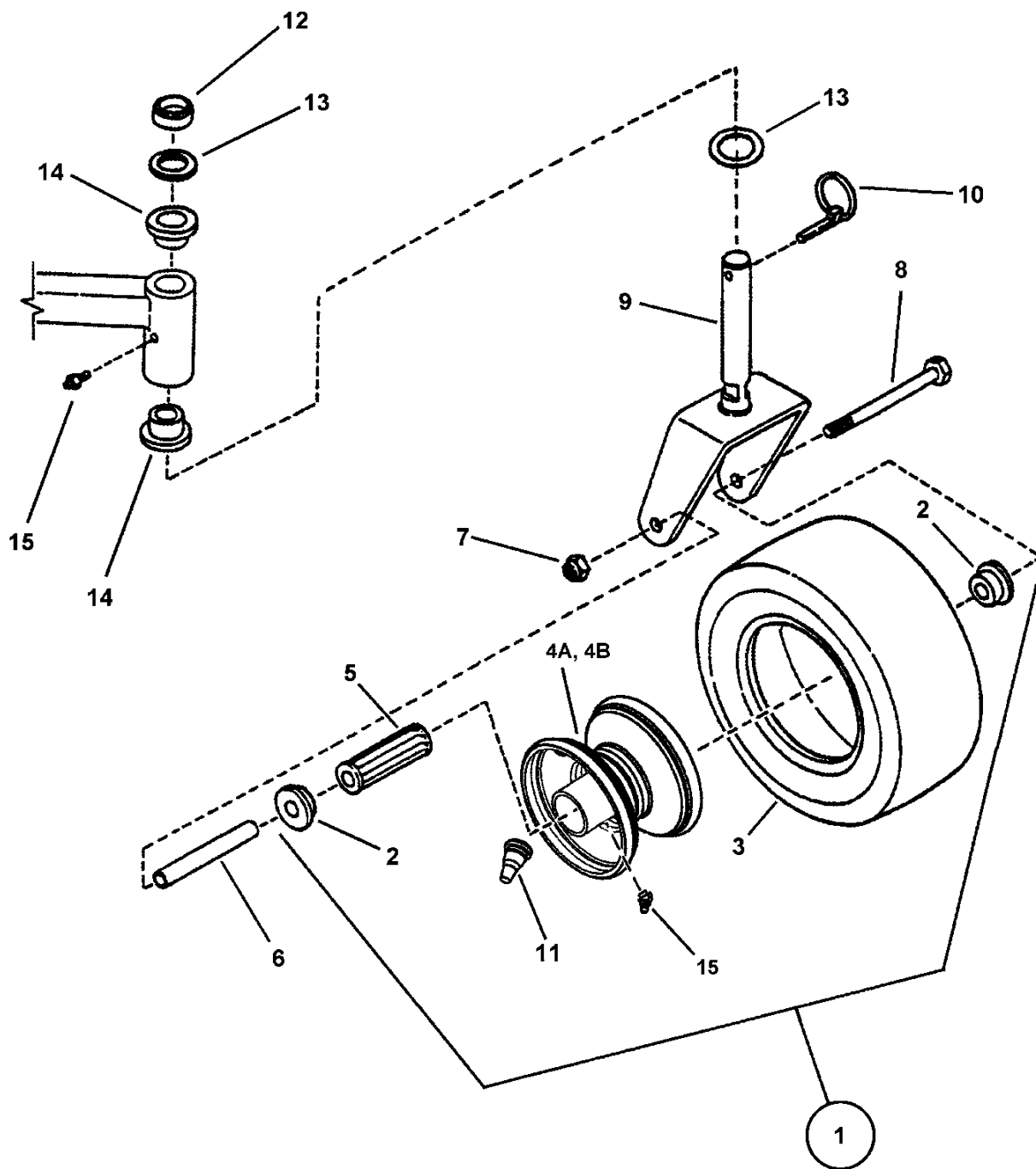
## **TRACTION, REAR WHEEL ASSEMBLY**

---

<b>Item</b>	<b>Part No</b>	<b>Qty</b>	<b>Description</b>	<b>Note</b>
1	7058425	2	ASSEMBLY, Rear Tire & Rim, Turf Saver, Gray	<i>Includes item 2, 3 &amp; 6</i>
2	7073526	1	TIRE, 16 x 6.50-8, 4 Ply (Carlisle "Turf Saver")	
3	7075729	1	RIM (Gray)	
4	7012234	1	AIR VALVE, Snap-In	<i>Goodyear p/n TR-412</i>
5	7092097	8	LUG-NUT, 1/2-20 Tapered Seat	<i>was 7027192</i>
6	7075303	2	WHEEL HUB, w/4 threaded studs	

### **Footnotes**

# CASTER, WHEEL & TIRE ASSEMBLY





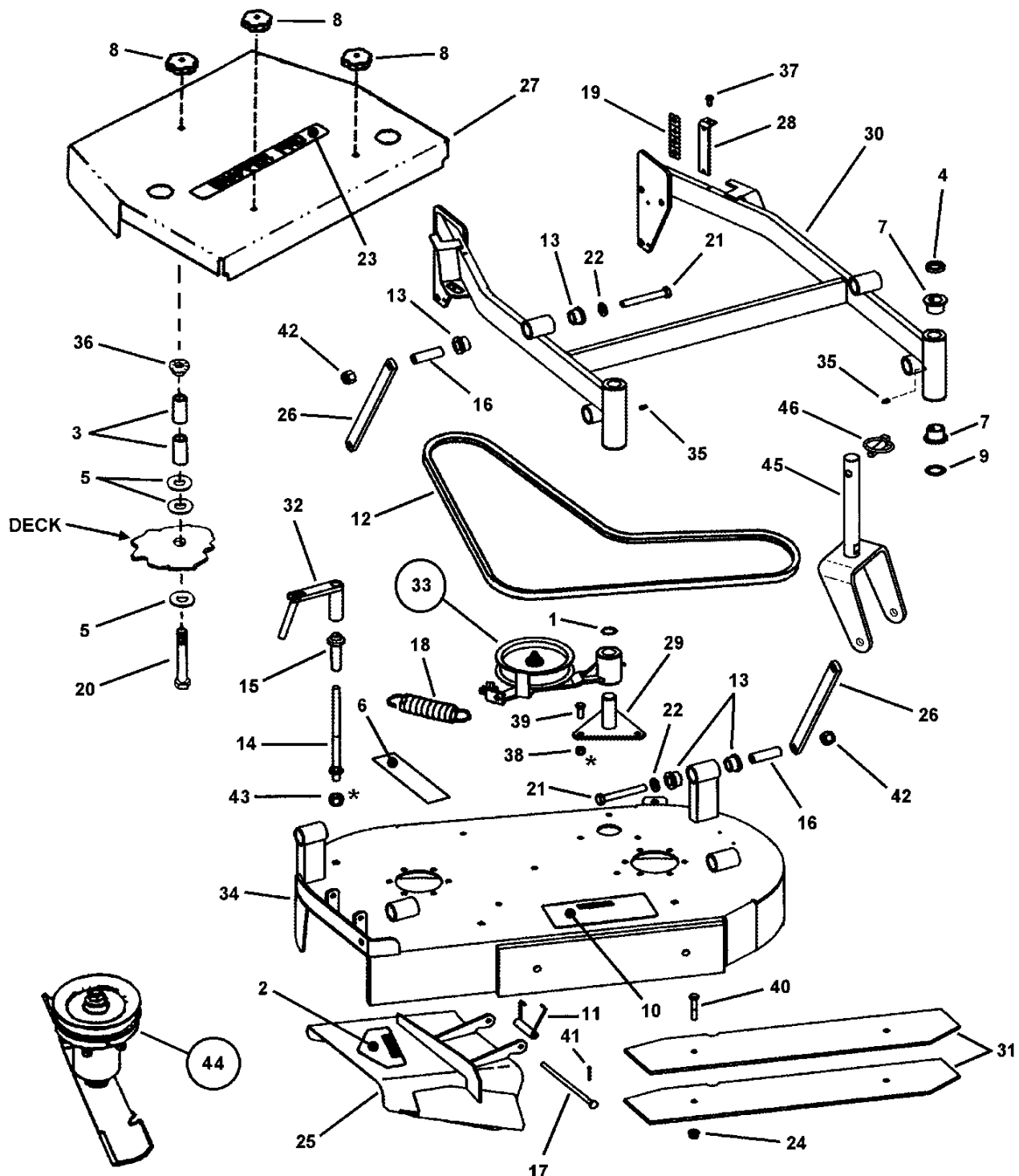
## CASTER, WHEEL & TIRE ASSEMBLY

---

Item	Part No	Qty	Description	Note
1	7058167	2	ASSY, Wheel & Tire, 9 x 3.50-4 (Gray Rim)	<i>used on 36, 48 &amp; 52" decks; Incl. Items 2, 3, 4A, 5, 15 &amp; 16</i>
1	7029869	2	ASSY, Wheel & Tire, 9 x 3.50-4 (White Rim)	<i>used on 61" deck; Incl. Items 2, 3, 4B, 5, 15 &amp; 16</i>
2	7022394	2	RETAINER, Flanged	
3	7029870	1	TIRE, 9 x 3.50-4	
4A	7075553	1	RIM, One-Piece Steel (Gray)	
4B	7029871	1	RIM, One-Piece Steel (White)	
5	7022395	2	BEARING, Roller	
6	7022151	2	SLEEVE, Axle	
7	7091922	2	NUT, 1/2-13 Hex Nyloc	
8	7091326	2	BOLT, 1/2-13 x 5-1/2" Hex Head Cap, GR 5	
9	7042780	2	YOKE, Caster Weldment	
10	7017711	2	LYNCH PIN, 7/16" Heavy Duty	
11	7012234	1	AIR VALVE, Snap-In	<i>Goodyear p/n TR-412</i>
12	7021960	2	SPACER, PM	
13	7023747	2	BUSHING, 1"	
14	7046626	4	BUSHING, Caster	
15	7014669	1	GREASE FITTING, 3/16 Straight (press-in)	

### Footnotes

# 36" MOWER DECK ASSEMBLY (Adjustable Height)



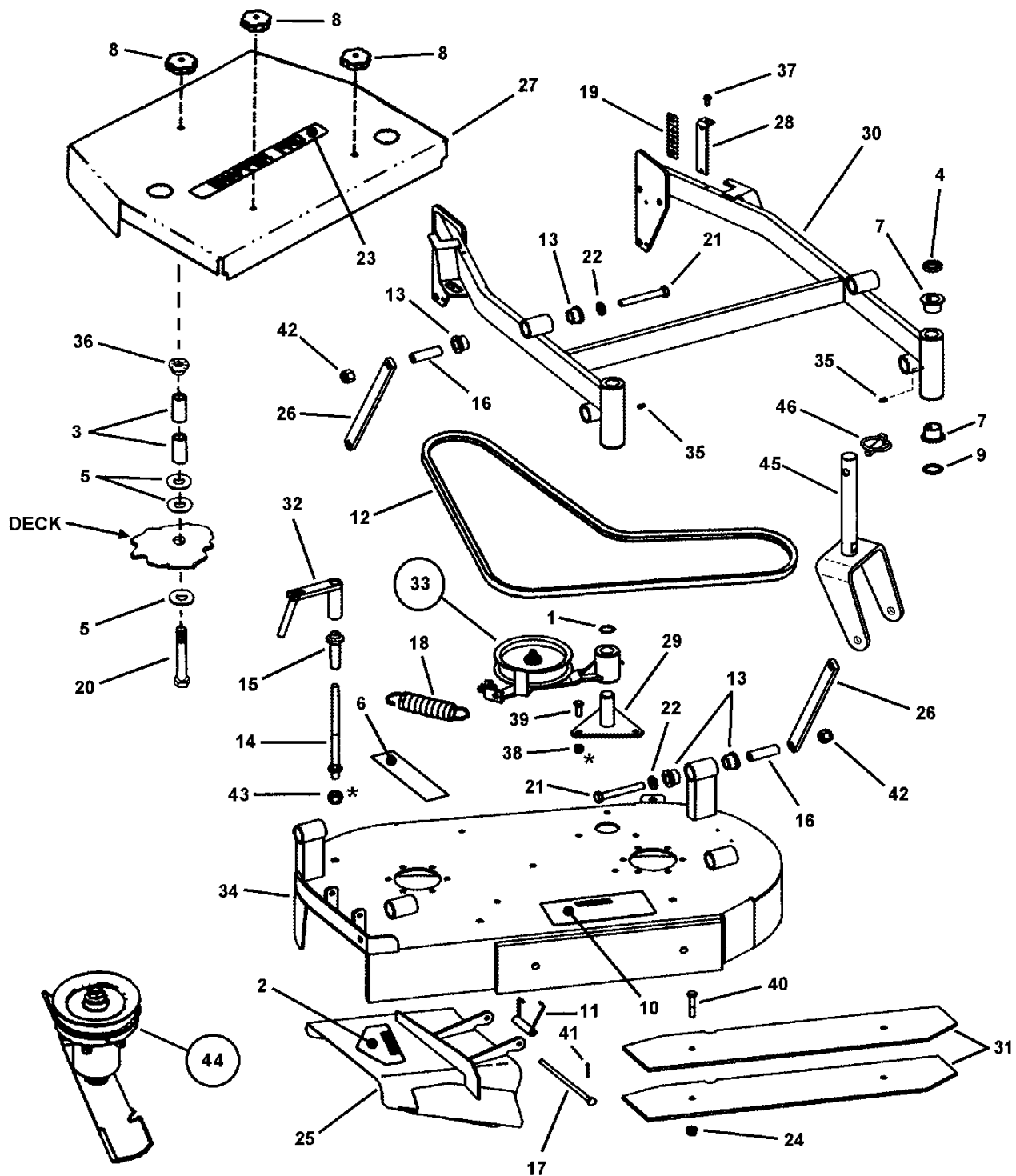
\* NOTE: THESE FASTENERS ARE LOCATED INSIDE THE DECK.

## 36" MOWER DECK ASSEMBLY (Adjustable Height)

Item	Part No	Qty	Description	Note
1	7012709	1	RING, 1" External Retaining	
2	7013010	1	DECAL, Warning (CPSC Cut Finger)	
3	7021128	6	SPACER	
4	7021960	2	SPACER, Powdered Metal	<i>also shown on Caster, Wheel &amp; Tire Assembly page</i>
5	7091528	9	WASHER, 3/8" I.D. x 7/8" O.D. x 1/16" Flat	
6	7073647	1	DECAL, Danger Guard/Catcher	
7	7046626	4	BUSHING, Caster	<i>also shown on Caster, Wheel &amp; Tire Assembly page</i>
8	7023735	3	KNOB, Hood (5/16-18 thread)	
9	7023747	2	BUSHING, 1"	<i>also shown on Caster, Wheel &amp; Tire Assembly page</i>
10	7024156	1	DECAL, Caution- Operator Instruction	
11	7027950	1	SPRING, Chute	
12	7035710	1	V-BELT, 36" Deck Drive (Nom. Effective Length: 84.80")	
13	7029258	16	BUSHING, Suspension	
14	7029259	2	STUD, Lift, 1/2-13 Thread, Both Ends	
15	7046214	2	LIFT WASHER (Weldment)	
16	7029263	8	SLEEVE, Suspension	
17	7029277	1	HINGE PIN, Chute	
18	7029278	1	SPRING, Idler	
19	7029295	2	DECAL, Height of Cut	
20	7076940	3	SCREW, 5/16-18 x 4-1/2" Hex Head Cap, GR 5	
21	7029355	8	BOLT, 1/2-13 x 3-3/4" Hex Head, GR 5	
22	7091587	8	WASHER, 1/2" Flat	
23	7074862	1	DECAL, Snapper Pro (silver, 16-1/2" long)	
24	7091619	2	NUT, 3/8-16 Hex Flange Lock	
25	7058871	1	DEFLECTOR, 36" ANSI Compliant (Weldment)	
26	7034964	4	ARM, Suspension, 12" Long	
27	7034980	1	COVER, 36"	
28	7035279	2	BRACKET, Height-of-Cut	
29	7041295	1	PIVOT, Idler Arm (Weldment)	
30	7042473	1	FRAME, 36" Adjustable (Weldment)	
31	7035756	2	PLATE, Ballast	
32	7054012	2	ASSEMBLY, Crank	<i>(Includes Crank, 7042477, Handle 7029380 &amp; Roll Pin 7013877)</i>
33	7054018	1	ASSEMBLY, Idler Arm, 36"	<i>see 36" Deck Idler Assembly page</i>
34	7044664	1	WELDMENT, Deck, Adjustable Height (Red)	
35	7014669	2	GREASE FITTING, 3/16 Straight (press-in)	<i>also shown on Caster, Wheel &amp; Tire Assembly page</i>
36	7091601	3	NUT, 5/16-18 Hex Flange Lock, GR 5	
37	7091819	2	SCREW, 1/4-20 x 5/8" Hex Washer Self-Tap	

### Footnotes

# 36" MOWER DECK ASSEMBLY (Adjustable Height)



\* NOTE: THESE FASTENERS ARE LOCATED INSIDE THE DECK.

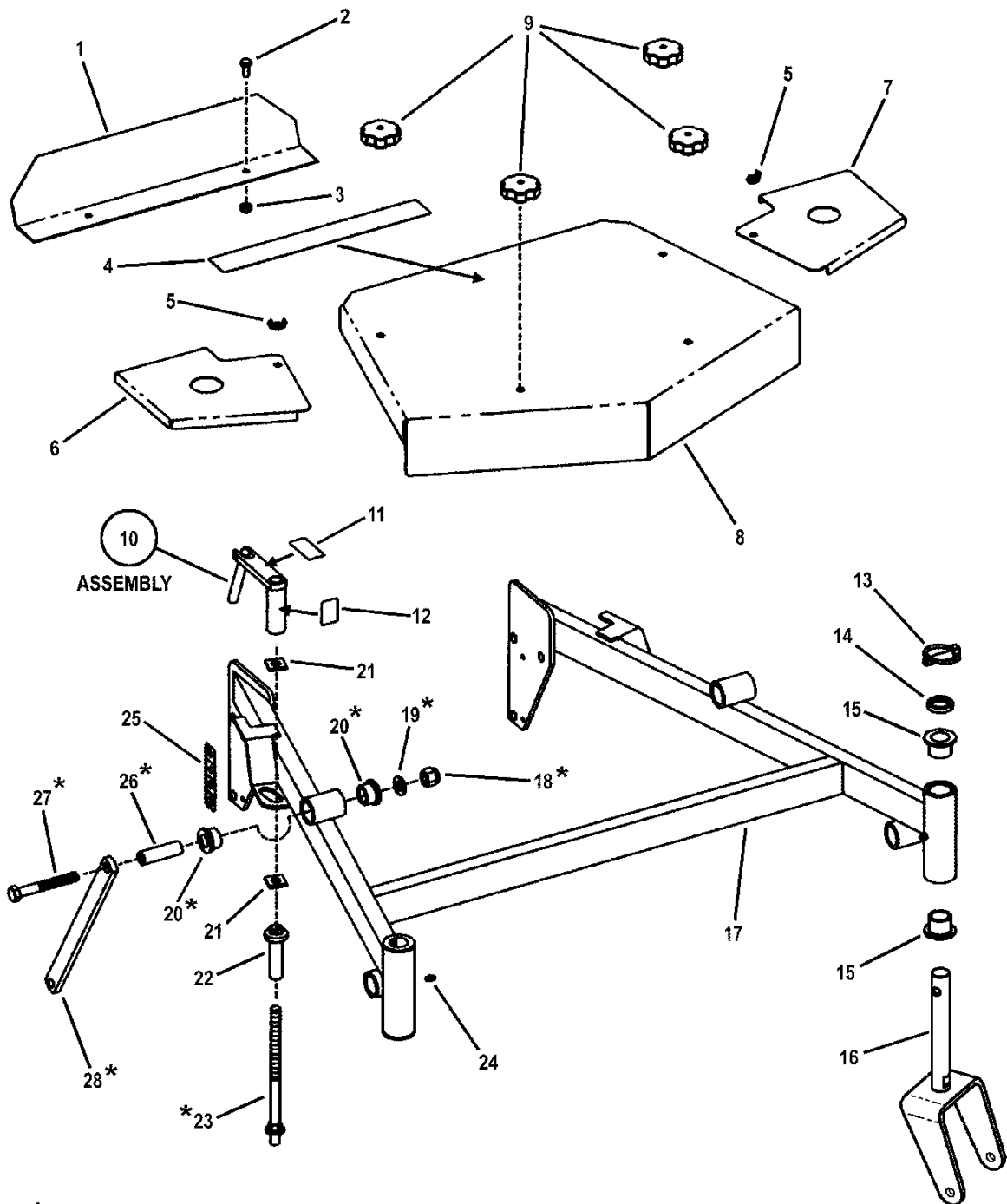
## 36" MOWER DECK ASSEMBLY (Adjustable Height)

---

Item	Part No	Qty	Description	Note
38	7091299	20	NUT, 3/8-16 Hex Nyloc	
39	7091304	3	SCREW, 3/8-16 x 1" Hex Head Cap, GR 5	
40	7091305	3	SCREW, 3/8-16 x 2" Hex Head Cap, GR5	
41	7091313	1	COTTER PIN, 3/32 x 1"	
42	7091922	8	NUT, 1/2-13 Hex Nyloc	
43	7091894	2	NUT, 1/2-13 Hex Center Lock	
44	7054011	2	ASSEMBLY, Spindle	<i>also shown on Cutter Housing Assembly page</i>
45	7042780	2	YOKE, Caster Weldment	<i>also shown on Caster, Wheel &amp; Tire Assembly page</i>
46	7017711	2	LYNCH PIN, 7/16" Heavy Duty	<i>also shown on Caster, Wheel &amp; Tire Assembly page</i>
47	7077345	2	PAD, Gas Tank (not shown)	

### Footnotes

**48", 52" & 61" MOWER DECK ASSY (Frame)**



**\*NOTE:**  
THESE PARTS ARE SHOWN  
ON THE PREVIOUS PAGE.

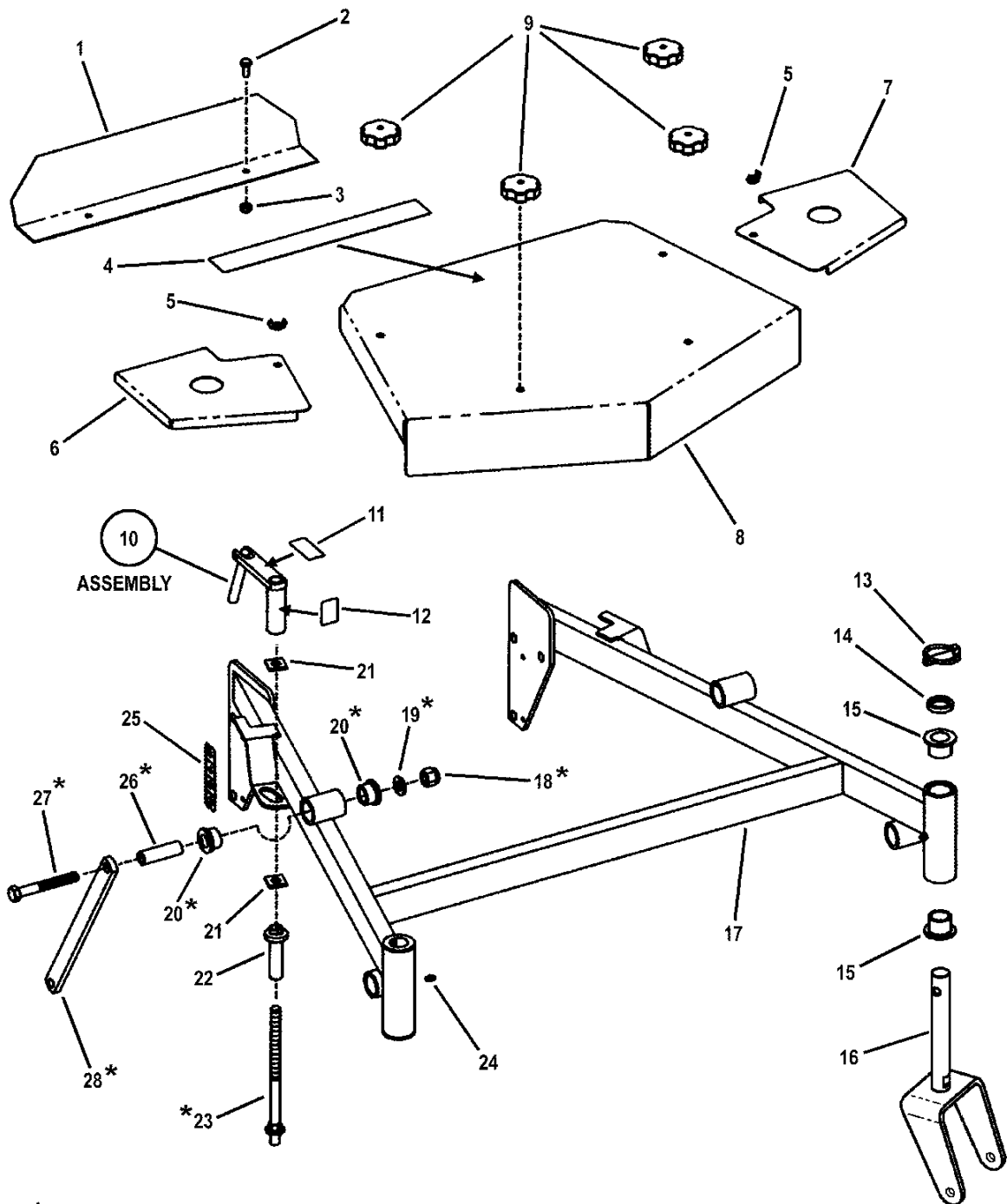
## 48", 52" & 61" MOWER DECK ASSY (Frame)

Item	Part No	Qty	Description	Note
1	7044667	1	SHIELD, Muffler (SPA611)	
2	7091318	2	SCREW, 5/16-18 x 3/4" Hex Head Cap, GR 5	
3	7091298	2	NUT, 5/16-18 Hex Nyloc	
4	7046580	1	*DECAL, SNAPPER Pro w/Trademark	
4	7074862	1	*DECAL, Snapper Pro (silver, 16-1/2" long)	
5	7024085	2	WING NUT, 5/16-18	
6	7035285	1	COVER, 48" Right	
6	7046607	1	COVER, 52" Right	
6	7035314	1	COVER, 61" Right	
7	7035286	1	COVER, 48" Left	
7	7046606	1	COVER, 52" Left	
7	7035313	1	COVER, 61" Left	
8	7035287	1	COVER, 48" Center	
8	7035303	1	COVER, 52" Center	
8	7035315	1	COVER, 61" Center	
9	7023735	4	KNOB, Hood (5/16-18 thread)	
10	7054012	2	ASSEMBLY, Crank	<i>(Includes Crank, 7042477, Handle 7029380 &amp; Roll Pin 7013877)</i>
11	7073593	1	*DECAL, Caution Handle May Be Hot (Adjustable Decks only)	<i>replaces 7043815</i>
12	7043816	1	*DECAL, Oil Threads Here (Adjustable Decks only)	
13	7017711	2	LYNCH PIN, 7/16" Heavy Duty	<i>Also shown on CASTER, WHEEL &amp; TIRE ASSY page.</i>
14	7021960	2	SPACER, Powdered Metal	
15	7046626	4	BUSHING	
16	7042780	2	YOKE, Caster Weldment	<i>Also shown on CASTER, WHEEL &amp; TIRE ASSY page.</i>
17	7041817	1	WELDMENT, 48" Deck Frame (shown)	
17	7042479	1	WELDMENT, 52" Deck Frame (not shown)	
17	7043865	1	WELDMENT, 61" Deck Frame (not shown)	
18	7091922	8	NUT, 1/2-13 Hex Nyloc	<i>or 7091325</i>
19	7091587	8	WASHER, 1/2" Flat	
20	7029258	8	BUSHING, Suspension	
21	7029260	4	WASHER, Lift	<i>4 are used on 52" decks; 2 are used on 61" Decks</i>
22	7046214	2	LIFT WASHER (Weldment)	
23	7029259	2	STUD, Lift, 1/2-13 Thread, Both Ends	
24	7014669	2	FITTING, Straight Lube (for 3/16" drill)	
25	7029295	2	*DECAL, Height of Cut	<i>see Decal Page</i>
26	7029263	4	SLEEVE, Suspension	
27	7029355	4	BOLT, 1/2-13 x 3-3/4" Hex Head, GR 5	
28	7034964	2	ARM, Suspension, 12" Long	<i>48" &amp; 52" Decks</i>

### Footnotes

\*NOTE: See DECAL page for decal identification.

**48", 52" & 61" MOWER DECK ASSY (Frame)**



\*NOTE:  
THESE PARTS ARE SHOWN  
ON THE PREVIOUS PAGE.



## 48", 52" & 61" MOWER DECK ASSY (Frame)

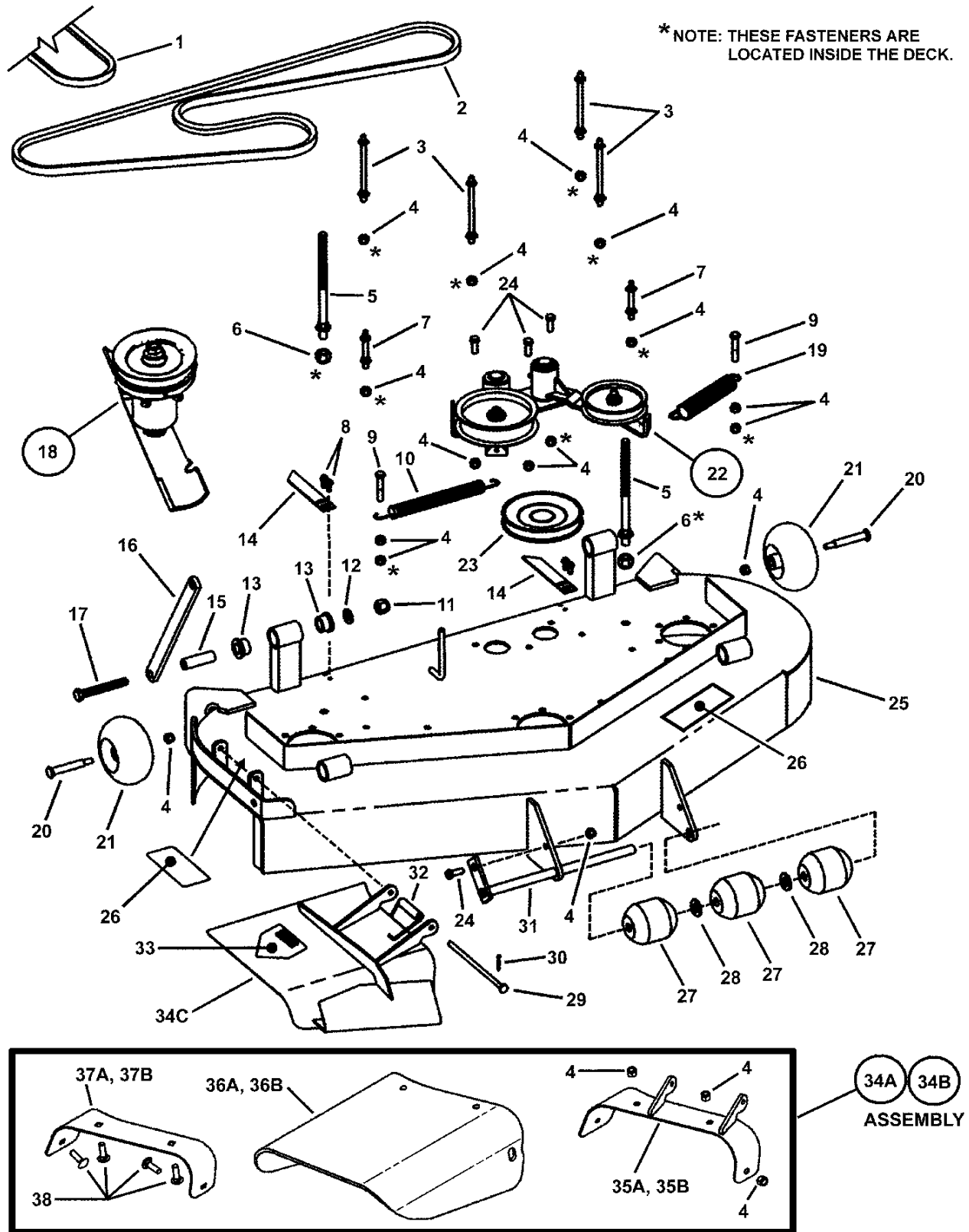
---

Item	Part No	Qty	Description	Note
28	7034979	4	ARM, Suspension, 13-1/2" Long	61" Deck

### Footnotes

\*NOTE: See DECAL page for decal identification.

48", 52" & 61" MOWER DECK ASSY (Deck)



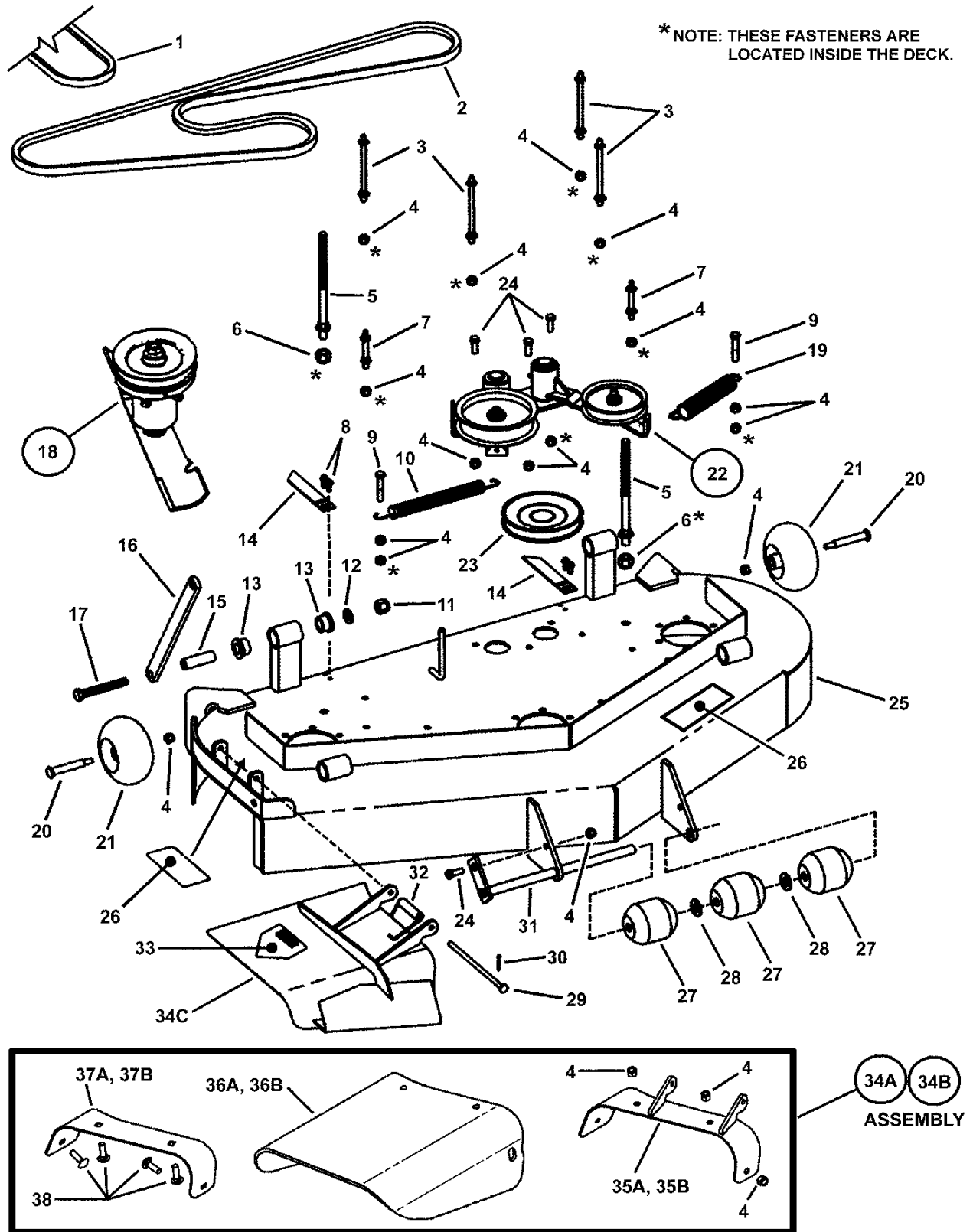
## 48", 52" & 61" MOWER DECK ASSY (Deck)

Item	Part No	Qty	Description	Note
1	7029262	1	V-BELT, Primary, 48" Deck (66" Long*)	
1	7042813	1	V-BELT, Primary, 52" Deck (69" Long*)	
1	7042735	1	V-BELT, Primary, 61" Deck (72" Long*)	
2	7029261	1	V-BELT, Secondary, 48" Deck (113" Long*)	
2	7029266	1	V-BELT, Secondary, 52" Deck (120" Long*)	
2	7029268	1	V-BELT, Secondary, 61" Deck (128" Long*)	
3	7029281	4	STANDOFF, 4-1/2" Long (5/16-18 thread top end; 3/8-16 bottom end)	
4	7091299	33	NUT, 3/8-16 Hex Nyloc	
5	7029259	2	STUD, Lift, 1/2-13 Thread, Both Ends	
6	7091894	2	NUT, 1/2-13 Hex Center Lock	
7	7029280	2	STANDOFF, 2" Long (5/16-18 thread top end; 3/8-16 bottom end)	
8	7091819	4	SCREW, 1/4-20 x 5/8" Hex Washer Self-Tap	
9	7091305	2	SCREW, 3/8-16 x 2" Hex Head Cap, GR 5	
10	7072915	1	SPRING, Extension, Primary Idler	48" Deck
10	7029272	1	SPRING, Extension, Primary Idler	52" & 61" Deck
11	7091922	8	NUT, 1/2-13 Hex Nyloc	or 7091325
12	7091587	12	WASHER, 1/2" Flat	
13	7029258	16	BUSHING, Suspension	
14	7034965	2	POINTER, Height-of-Cut	
15	7029263	8	SLEEVE, Suspension	all models
16	7034964	2	ARM, Suspension, 12" Long	48" & 52" Decks
16	7034979	4	ARM, Suspension, 13-1/2" Long	61" Deck
17	7029355	8	BOLT, 1/2-13 x 3-3/4" Hex Head, GR 5	
18	7054011	3	ASSEMBLY, Spindle	see Cutter Housing Assembly page
19	7029278	1	SPRING, Idler	
20	7029265	2	BOLT, 1/2" Dia. Shoulder, 3/8-16 Thread	
21	7029264	2	WHEEL, Gage	
22	7054023	1	ASSEMBLY, Idler - 3 Spindle Deck (shown)	48" & 61" Decks
22	7054420	1	ASSEMBLY, Idler - 3 Spindle Deck (not shown)	52" Deck
23	7029249	1	PULLEY, 5-3/4" O.D. w/Hub	48" & 52" Decks
23	7029250	1	PULLEY, 6-5/8" Driven	61" Deck
24	7091304	4	SCREW, 3/8-16 x 1" Hex Head Cap, GR 5	
25	7063205	1	WELDMENT, 48" Deck, Pro Adjustable	
25	7045133	1	WELDMENT, 52" Deck, Pro Adjustable	
25	7045165	1	WELDMENT, 61" Deck, Pro Adjustable	
26	7073647	2	DECAL, Danger Guard/Catcher	see Decal Page
27	7079226	3	ROLLER, Low Density Polyethylene	

### Footnotes

\*Nominal Effective Length; HB section belt; SNAPPER part number is printed on belt

48", 52" & 61" MOWER DECK ASSY (Deck)



## 48", 52" & 61" MOWER DECK ASSY (Deck)

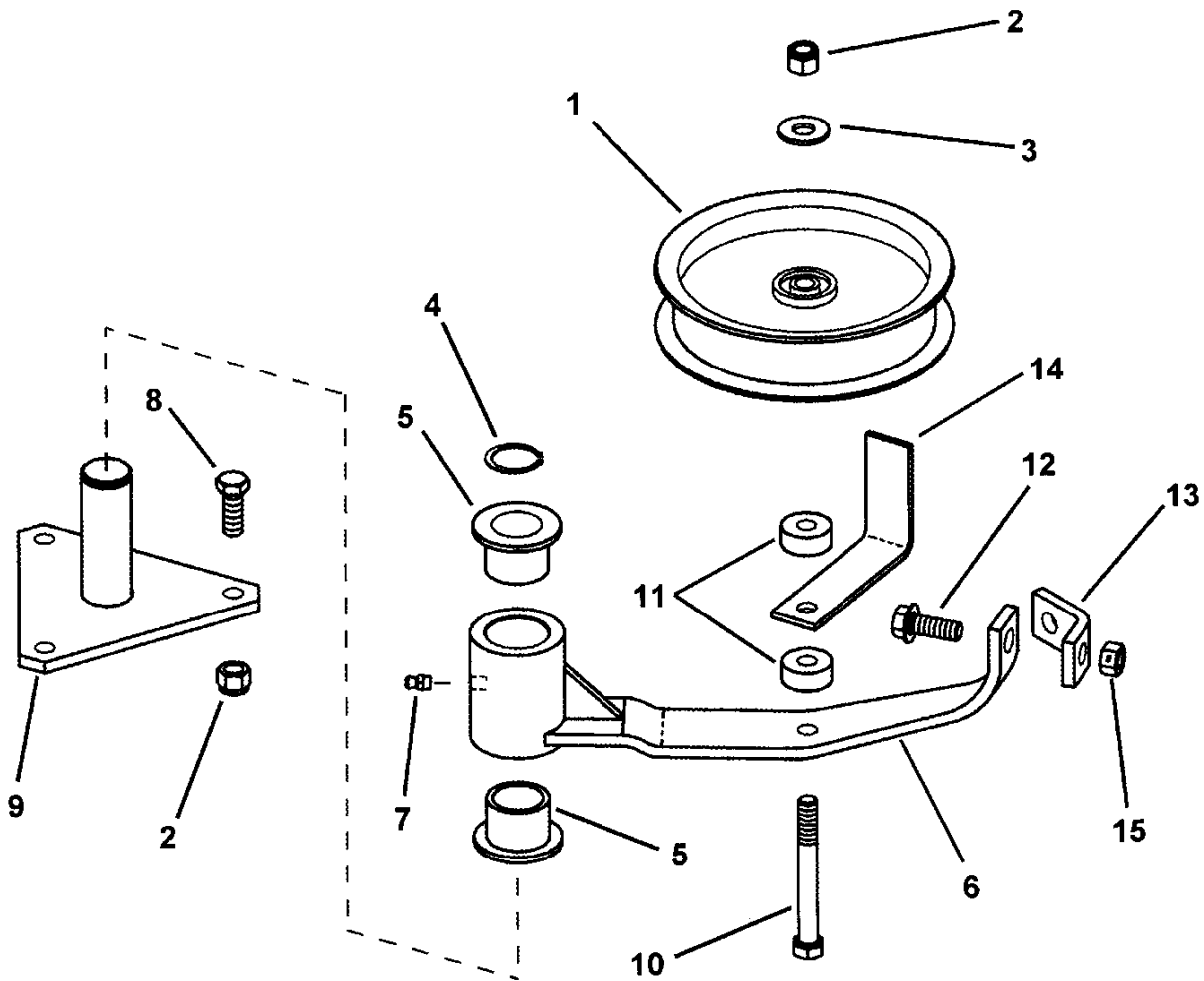
---

Item	Part No	Qty	Description	Note
28	7027344	2	WASHER, 5/8" Flat	
29	7029277	1	HINGE PIN, Chute	
30	7091313	1	COTTER PIN, 3/32 x 1"	
31	7027327	1	PIVOT, Roller Pin (Weldment)	
32	7027950	1	SPRING, Chute	
33	7013010	1	DECAL, Warning (CPSC Cut Finger)	<i>see Decal Page</i>
34A	7050513	1	ASSY, Discharge Chute, 48" Deck	<i>incl. items 4 (4), 35A, 36A, 37A &amp; 38 (4)</i>
34B	7500076	1	ASSY, Discharge Chute, 52" Deck	<i>incl. items 29, 30, 32, 35B, 36B &amp; 37B</i>
34C	7058291	1	DISCHARGE CHUTE, 61" Deck Euro (Weldment)	
35A	7050590	1	WELDMENT, 48" Discharge Chute	
35B	7400008	1	WELDMENT, 52" Discharge Chute	
36A	7078146	1	CHUTE, Rubber (48" Deck)	
36B	7100087	1	CHUTE, Rubber (52" Deck)	
37A	7078133	1	DEFLECTOR BOTTOM (48" Deck)	
37B	7300036	1	DEFLECTOR BOTTOM (52" Deck)	
38	7091790	4	BOLT, 3/8-16 x 1-1/4" Square Neck Carriage, GR 5	<i>used on 48" &amp; 52" Decks only</i>

### Footnotes

\*Nominal Effective Length; HB section belt; SNAPPER part number is printed on belt

**36" DECK IDLER ASSEMBLY**



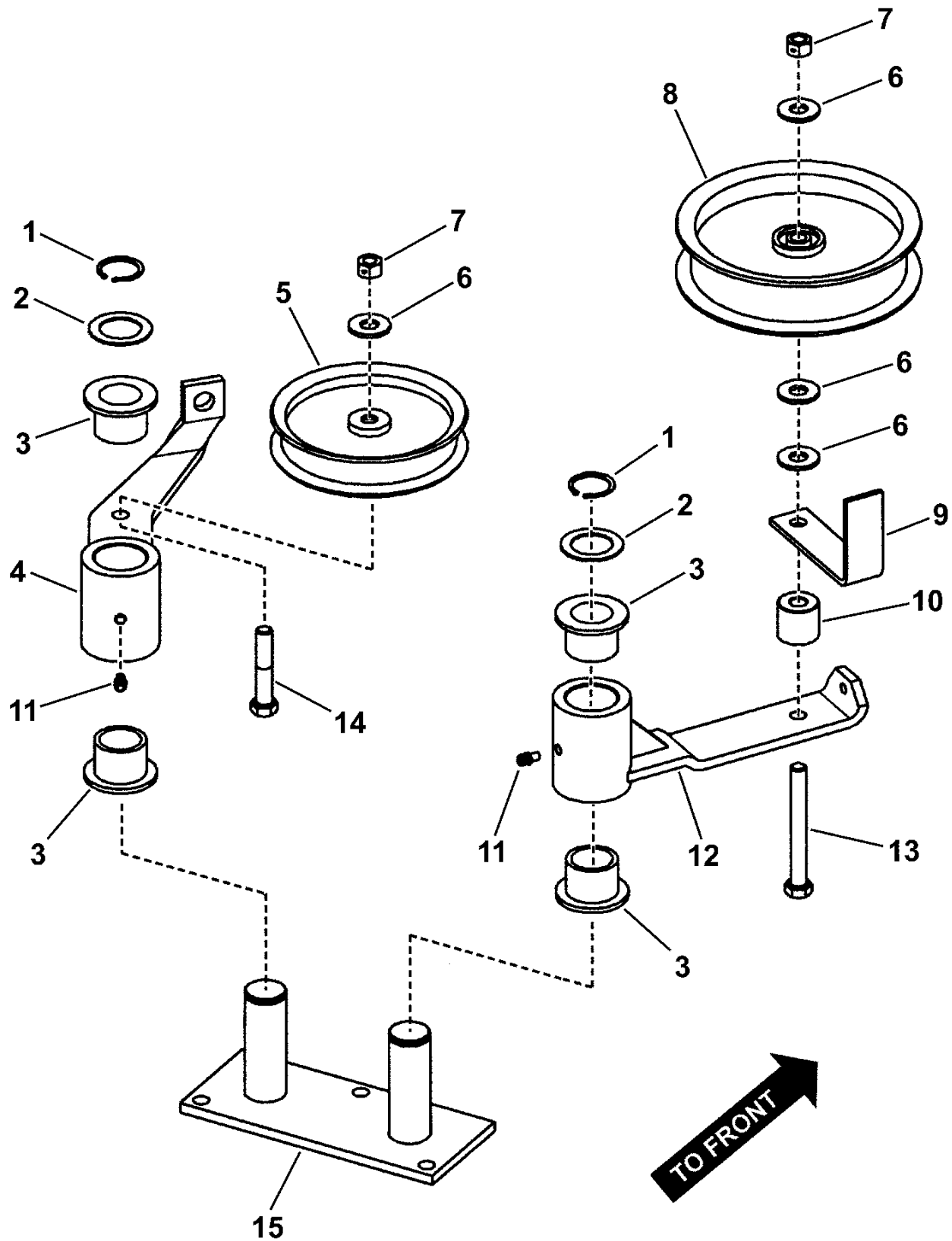
## 36" DECK IDLER ASSEMBLY

---

Item	Part No	Qty	Description	Note
1	7034422	1	PULLEY, Idler (5.00 O. D.)	
2	7091299	4	NUT, 3/8-16 Hex Nyloc	
3	7090517	2	WASHER, 3/8" Flat	
4	7012709	1	RING, 1" External Retaining	
5	7023556	2	BUSHING, Flange	
6	7042448	1	IDLER ARM, 36" (Weldment)	
7	7014669	1	GREASE FITTING, 3/16 Straight (press-in)	
8	7091304	3	SCREW, 3/8-16 x 1" Hex Head Cap, GR 5	
9	7041295	1	PIVOT, Idler Arm (Weldment)	
10	7027220	1	BOLT, 3/8-16 x 3-1/4" Hex Head, GR 5	
11	7029723	2	SPACER, .380 I.D. x 1" O.D. x .410 Thick	
12	7027198	1	BOLT, 3/8-16 x 1" Hex Flange Lock, GR 5	
13	7036429	1	BRACKET, Idler (Pro 36)	
14	7035656	1	RETAINER, Belt - Idler	
15	7091585	1	NUT, 3/8-16 Hex Center Lock, GR 5 or B	

### Footnotes

# 48" & 61" DECK IDLER ASSEMBLY





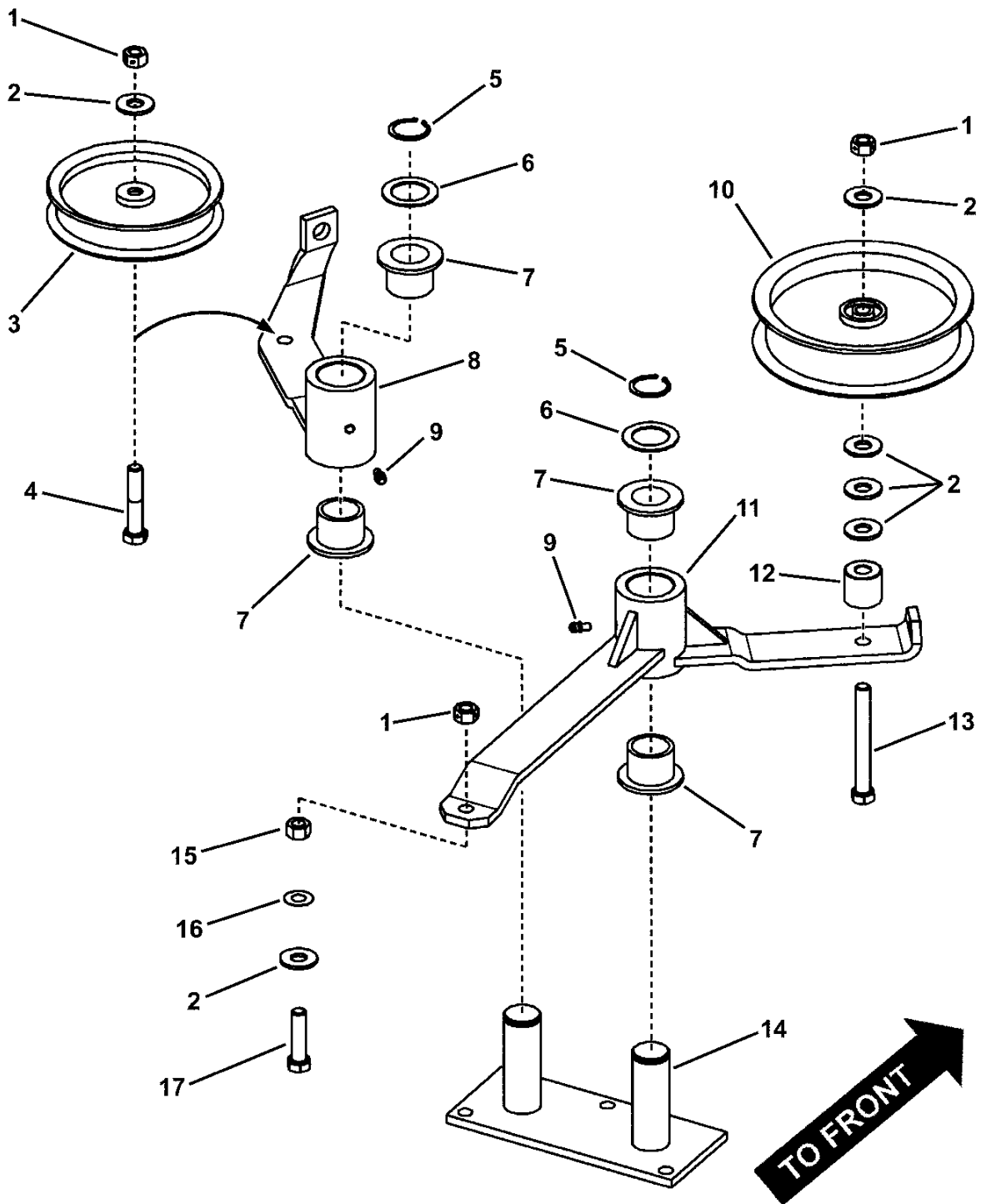
## 48" & 61" DECK IDLER ASSEMBLY

---

Item	Part No	Qty	Description	Note
1	7012709	2	RING, 1" External Retaining	
2	7023747	2	BUSHING, 1" I.D. Machine	
3	7023556	4	BUSHING, Flange	
4	7042452	1	WELDMENT, Idler Arm, Secondary	
5	7029273	1	PULLEY, Idler	
6	7090517	4	WASHER, 3/8" Flat	
7	7091585	2	NUT, 3/8-16 Hex Center Lock, GR 5 or B	
8	7034422	1	PULLEY, Flat Idler, 5" O.D.	
9	7035656	1	RETAINER, Belt - Idler	
10	7035657	1	SPACER, Idler Pulley	
11	7014669	1	GREASE FITTING, 3/16 Straight (press-in)	
12	7042450	1	WELDMENT, Idler Arm, Primary	
13	7027220	1	BOLT, 3/8-16 x 3-1/4" Hex Head Cap, GR 5	
14	7091305	1	SCREW, 3/8-16 x 2" Hex Head Cap, GR 5	
15	7042465	1	WELDMENT, Idler Pivot	

### Footnotes

# 52" DECK IDLER ASSEMBLY



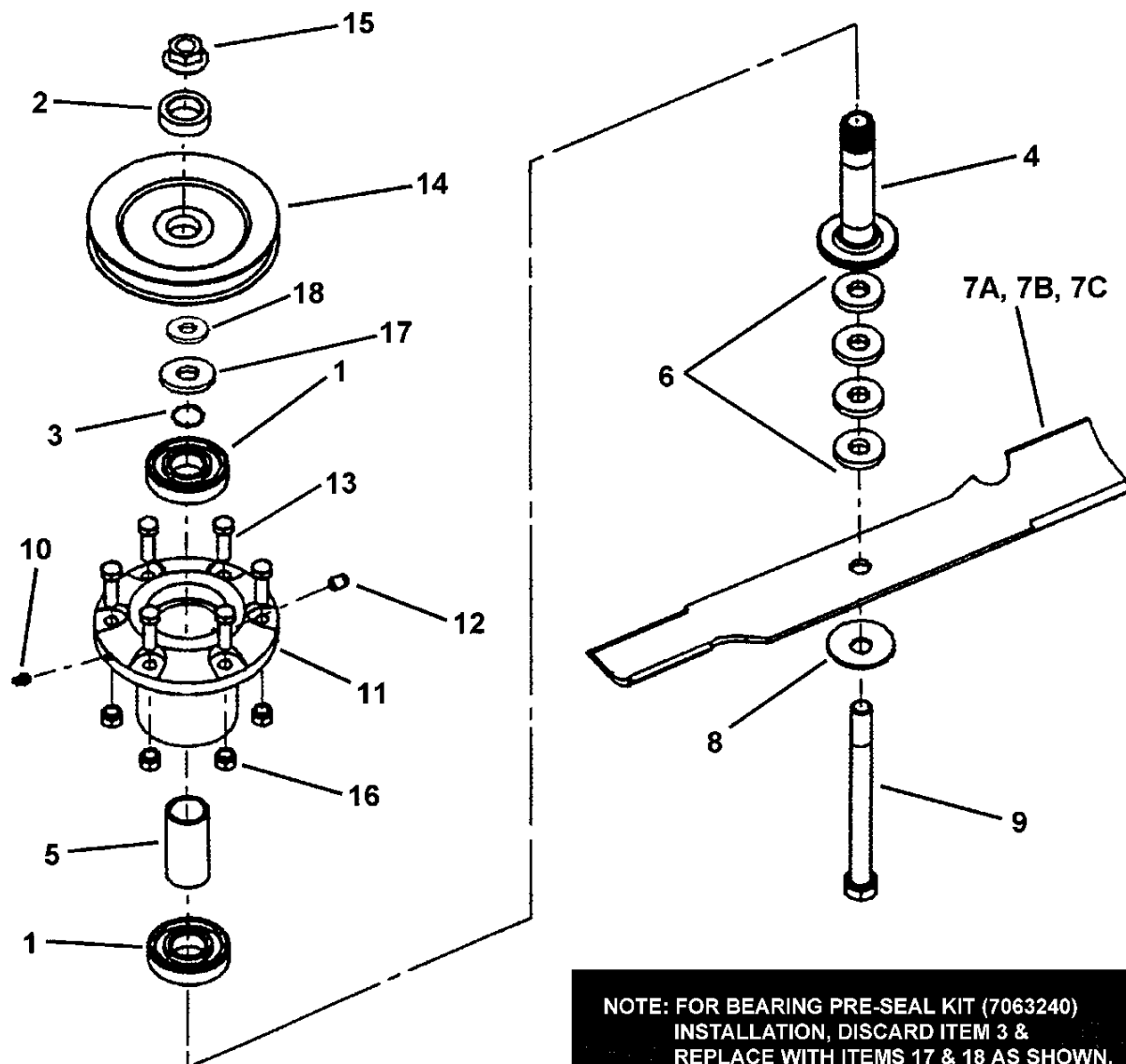
## 52" DECK IDLER ASSEMBLY

---

Item	Part No	Qty	Description	Note
1	7091585	3	NUT, 3/8-16 Hex Center Lock, GR 5 or B	
2	7090517	6	WASHER, 3/8" Flat	
3	7029273	1	PULLEY, Idler	
4	7091305	1	SCREW, 3/8-16 x 2" Hex Head Cap, GR 5	
5	7012709	2	RING, 1" External Retaining	
6	7023747	2	BUSHING, Machine	
7	7023556	4	BUSHING, Flange	
8	7042452	1	WELDMENT, Secondary Idler Arm	
9	7014669	2	GREASE FITTING, 3/16 Straight (press-in)	
10	7034422	1	PULLEY, Idler (5.00 O. D.)	
11	7042775	1	WELDMENT, Primary Idler Arm, SPA521	
12	7035657	1	SPACER, Idler Pulley	
13	7027220	1	BOLT, 3/8-16 x 3-1/4" Hex Head, GR 5	
14	7042465	1	WELDMENT, Idler Pivot	
15	7091302	1	NUT, 3/8-16 Hex, GR 5	
16	7013847	1	RETAINER, 3/8" Bolt	
17	7091497	1	SCREW, 3/8-16 x 1-1/2" Hex Head Cap, GR5	

### Footnotes

# CUTTER HOUSING ASSEMBLY



**NOTE: FOR BEARING PRE-SEAL KIT (7063240) INSTALLATION, DISCARD ITEM 3 & REPLACE WITH ITEMS 17 & 18 AS SHOWN.**

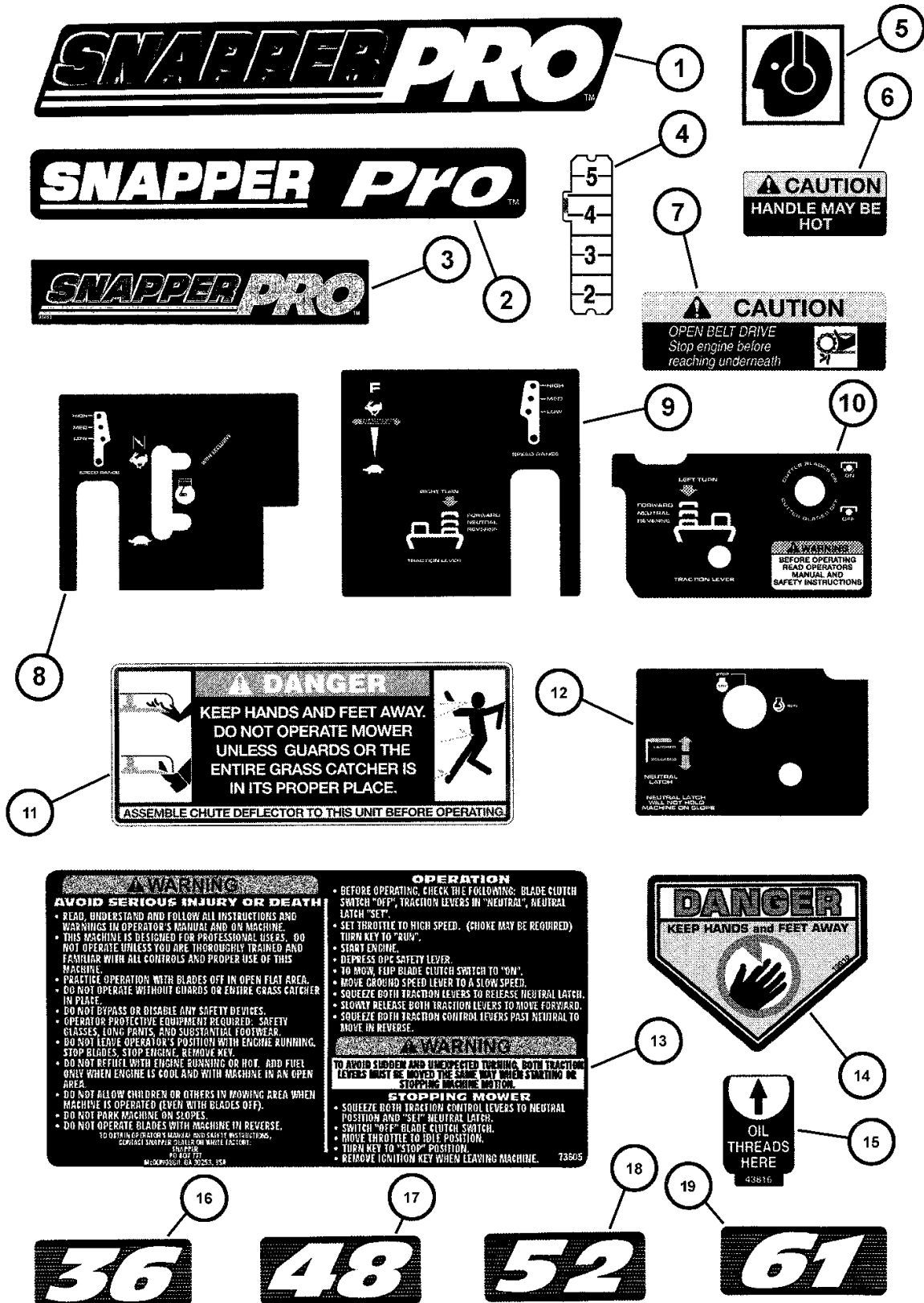
## CUTTER HOUSING ASSEMBLY

Item	Part No	Qty	Description	Note
1	7029422	2	BEARING, Sealed	
2	7029270	1	WASHER, Spindle	
3	7029274	1	SNAP-RING, Spindle Shaft	
4	7059311	1	ASSEMBLY, Spindle Shaft	
5	7029254	1	SPACER, Bearing	
6	7029271	4	SPACER, Blade	
7A	7075751	3	BLADE, 18" Comm. With Ext. Cut	<i>for 36" (2 blades) or 52" decks (3 blades)</i>
7B	7075770	3	BLADE, 21"	<i>(replaces 7017081) for 61" decks</i>
7C	7075771	3	BLADE, 16-1/2"	<i>for 48" deck</i>
8	7016440	1	WASHER, Beveled	
9	7063234	1	BOLT, 5/8-11 x 7-1/2" Hex Head Cap, GR 5	
10	7029275	1	LUBE FITTING, 1/4-28 Straight (Thread Forming)	
11	7029252*	1	HOUSING, Cutter	
12	7029384	1	GREASE VENT, Spindle	
13	7029302	6	BOLT, 3/8-16 x 1-1/4" Rib Necked	
14	7029245	1	PULLEY, 5-3/4" O.D.	<i>for 48", 52" &amp; 61" decks</i>
--	7029249	1	PULLEY, 5-3/4" O.D. w/Hub	<i>for 36" deck</i>
15	7063237	1	NUT, 5/8-11 Hex Flange Lock, GR B	
16	7091299	6	NUT, 3/8-16 Hex Nyloc	
17	7063238**	1	SEAL, Nylos	
18	7013370**	1	WASHER	

### Footnotes

\*NOTE: 7054017, Spindle Housing sub-assembly is made of items 11, 12 & 13.

\*\*NOTE: To install Bearing Pre-Seal Kit (7063240) discard item 3 & replace with items 17 & 18 as shown.



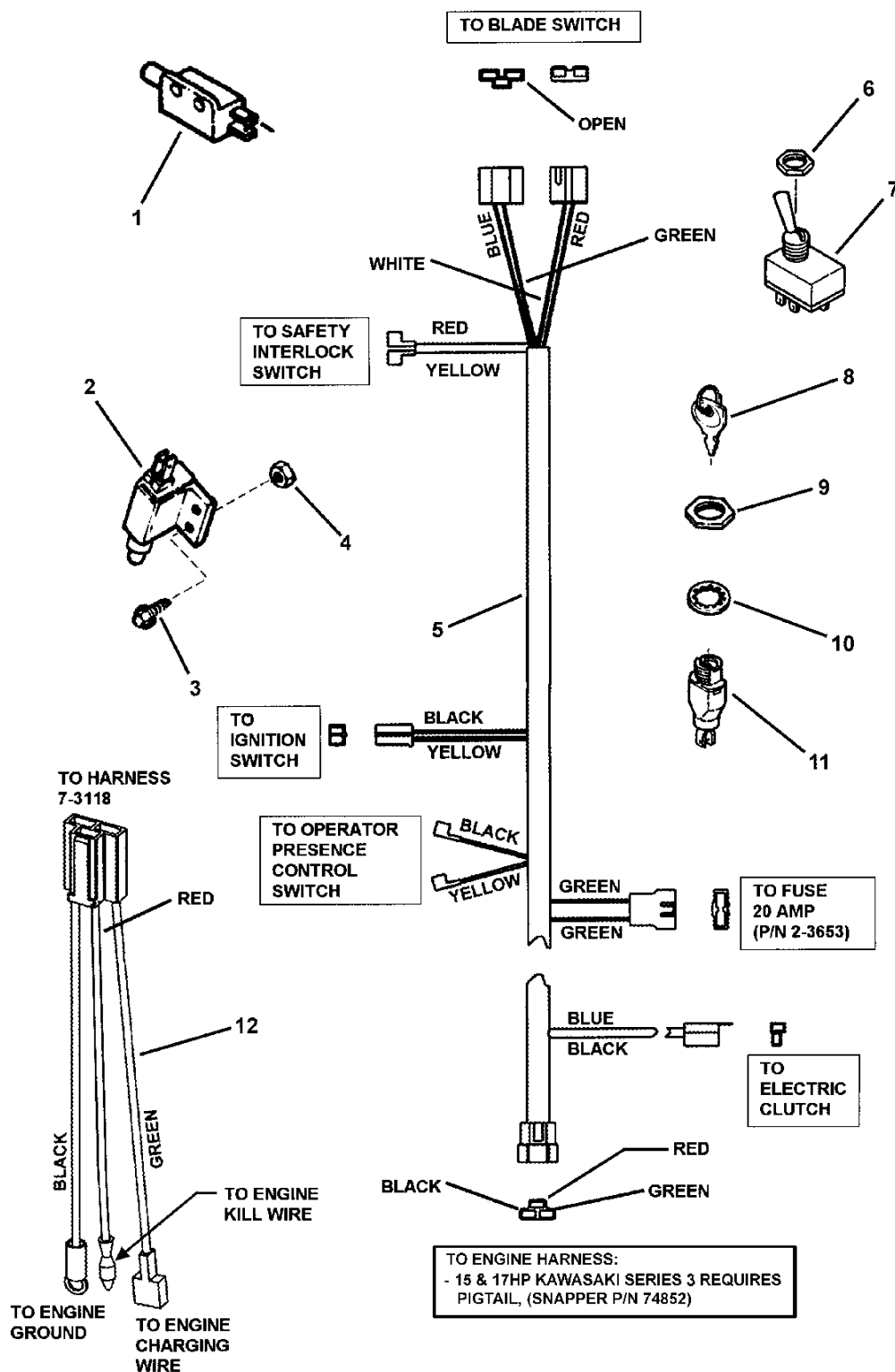
## DECAL GROUP

---

Item	Part No	Qty	Description	Note
1	7074862	1	DECAL, Snapper Pro (silver, 16-1/2" long)	
2	7046580	1	DECAL, Snapper Pro w/Trademark (white letters, 13-3/16" long)	
3	7036481	1	DECAL, Small Snapper Pro (silver, 8" long)	
4	7029295	1	DECAL, Height of Cut	
5	7027733	1	DECAL, Ear Protection	
6	7073593	1	DECAL, Adjustment Handle	
7	7073594	1	DECAL, Caution, Open Belt Drive	
8	7075755	1	DECAL, Left Panel, Throttle w/Choke (Hydro)	
9	7075758	1	DECAL, Right Panel, Instructions	
10	7075757	1	DECAL, Left Panel, Switch	
11	7073647	1	DECAL, Danger Guard/Catcher	
12	7029044	1	DECAL, Right Panel, Switch	
13	7073605	1	DECAL, Caution Pro Hydro	
14	7013010	1	DECAL, Danger (CPSC) Cut Finger	
15	7043816	1	DECAL, Oil Threads Here (Adjustable Decks only)	
16	7075564	1	DECAL, 36" Deck Commercial	<i>silver numbers</i>
17	7044792	1	DECAL, 48" Deck Commercial	<i>white numbers</i>
17	7075565	1	DECAL, 48" Deck Commercial	<i>silver numbers</i>
18	7075566	1	DECAL, 52" Deck Commercial	<i>silver numbers</i>
19	7044794	1	DECAL, 61" Deck Commercial	<i>white numbers</i>

### Footnotes

# ELECTRICAL WIRING (Manual Start)





## ***ELECTRICAL WIRING (Manual Start)***

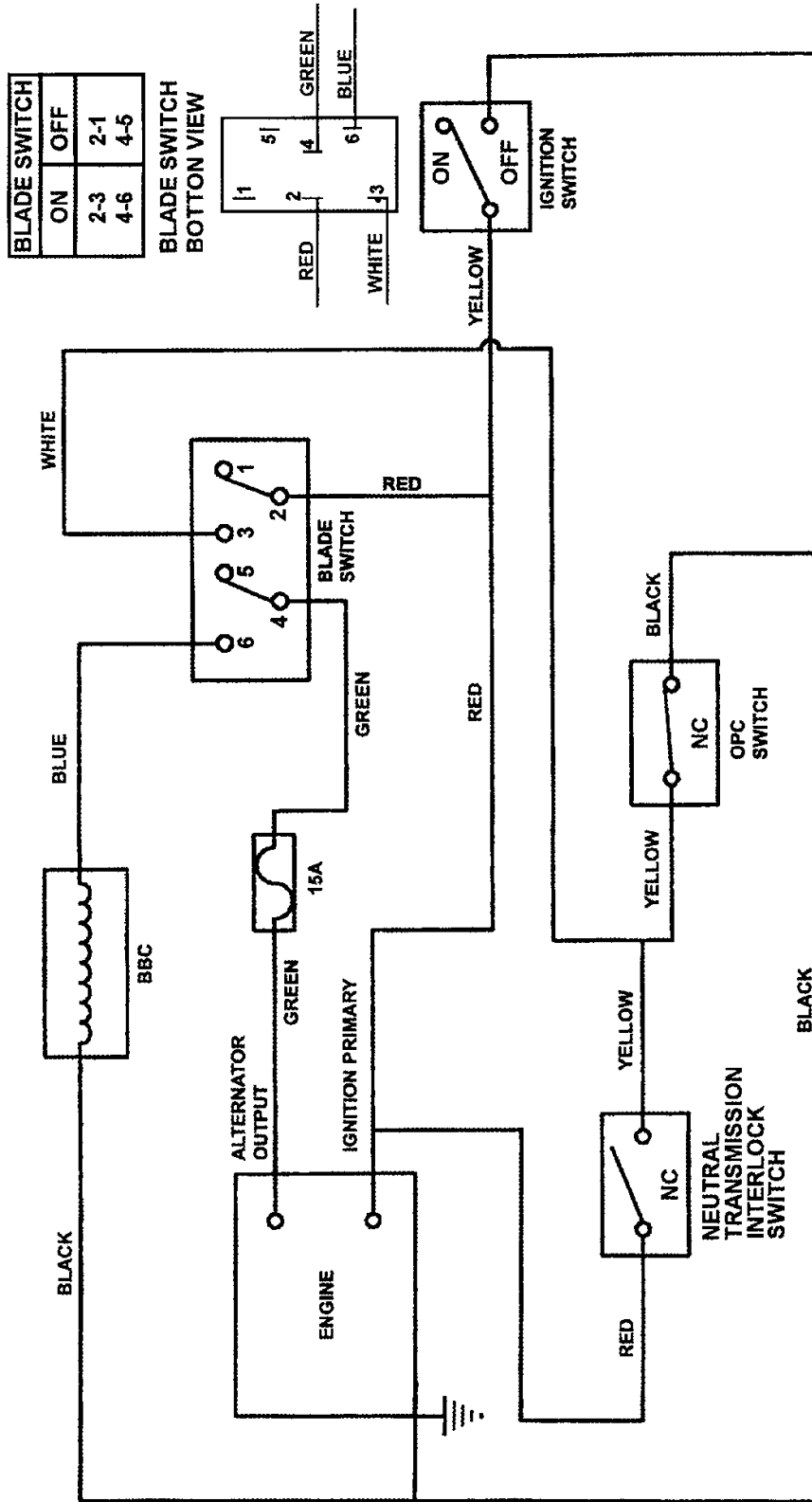
---

<b>Item</b>	<b>Part No</b>	<b>Qty</b>	<b>Description</b>	<b>Note</b>
1	7027225	1	SWITCH, Single Pole, LG-1, N.C.	
2	7073141	1	SWITCH, Interlock, Sealed, SPST, N.C.	<i>(Delta Systems # 6410-51)</i>
3	7091240	2	SCREW, #10-32 x 5/8" Hex Machine	
4	7090376	2	NUT, #10-32 Hex Nyloc	
5	7073118	1	WIRING HARNESS	
6	7012686	1	NUT, 1/2-27 Hex (Special)	
7	7029715	1	SWITCH, Toggle (H671A)	<i>blade clutch switch (P.T.O.)</i>
8	7011138	1	IGNITION KEY (Pair)	
9	7012685	1	NUT, 5/8-32 Hex (Ignition Switch)	
10	7090880	1	WASHER, 5/8" Internal Tooth Lock	
11	7017817	1	SWITCH, Ignition, 2-Pole	
12	7074852	1	HARNESS, Wiring Pigtail	

### **Footnotes**

**WIRING SCHEMATIC (Manual Start)**

SWITCHES SHOWN WITH:  
 Bail NOT DEPRESSED  
 Blades OFF  
 Ignition ON  
 Transmission in NEUTRAL



## **WIRING SCHEMATIC (Manual Start)**

---

<b>Item</b>	<b>Part No</b>	<b>Qty</b>	<b>Description</b>	<b>Note</b>
1	7073118	1	WIRING HARNESS	

### **Footnotes**





*Parts Manual for*

# **SNAPPER®**

## **PRO HYDRO WALK BEHIND MOWERS MID-SIZE SERIES 3**

IT IS THE POLICY OF SNAPPER TO IMPROVE ITS PRODUCTS WHENEVER IT IS POSSIBLE AND PRACTICAL TO DO SO. WE RESERVE THE RIGHT TO MAKE CHANGES OR ADD IMPROVEMENTS AT ANY TIME WITHOUT INCURRING ANY OBLIGATION TO MAKE SUCH CHANGES ON PRODUCTS MANUFACTURED PREVIOUSLY.

**SNAPPER®** McDonough, GA, 30253 U.S.A.