

—Parts Manual for

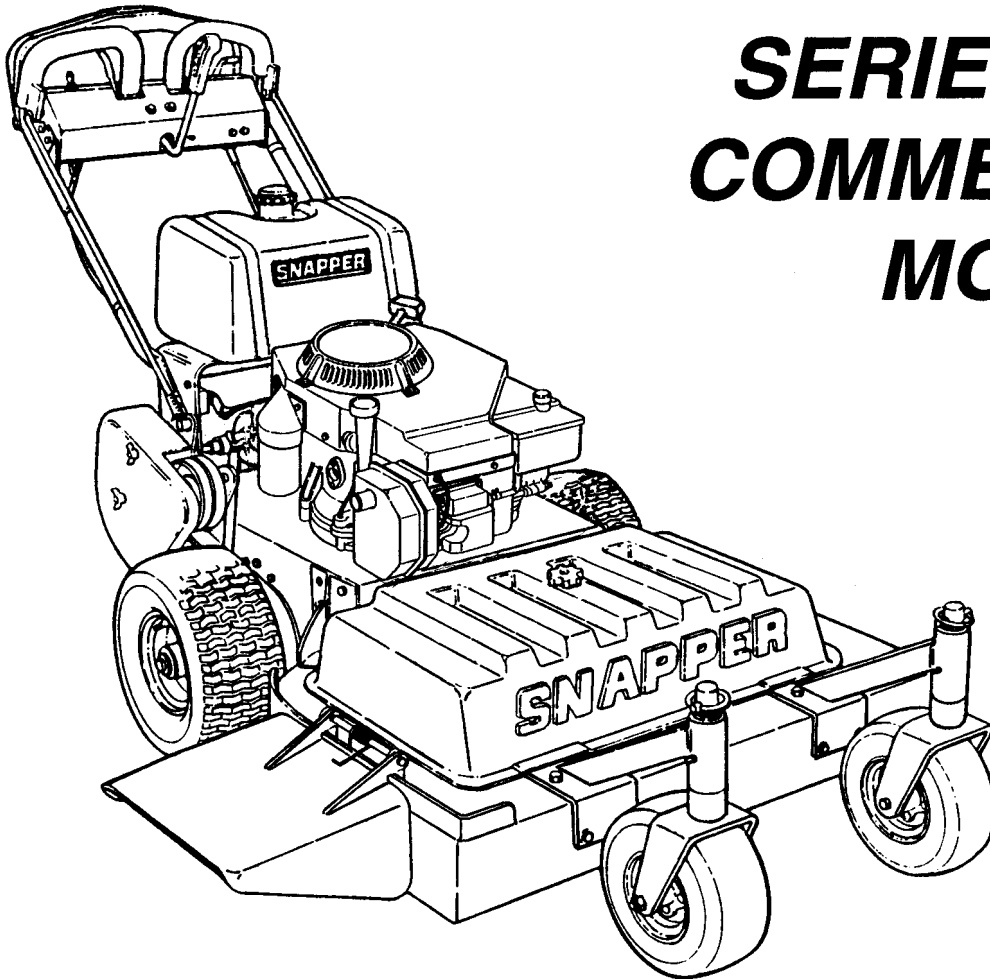
# **SNAPPER**<sup>®</sup>

**PRO736 & PRO748**

**SERIES 1 & 2**

**COMMERCIAL**

**MOWERS**



IT IS THE POLICY OF SNAPPER POWER EQUIPMENT TO IMPROVE ITS PRODUCTS WHENEVER IT IS POSSIBLE AND PRACTICAL TO DO SO. WE RESERVE THE RIGHT TO MAKE CHANGES OR ADD IMPROVEMENTS AT ANY TIME WITHOUT INCURRING ANY OBLIGATION TO MAKE SUCH CHANGES ON PRODUCTS MANUFACTURED PREVIOUSLY.

**SNAPPER**<sup>®</sup> McDonough, GA., 30253 U.S.A.

(REV 4. 6/96)

MANUAL NO. 06921

# CONTENTS

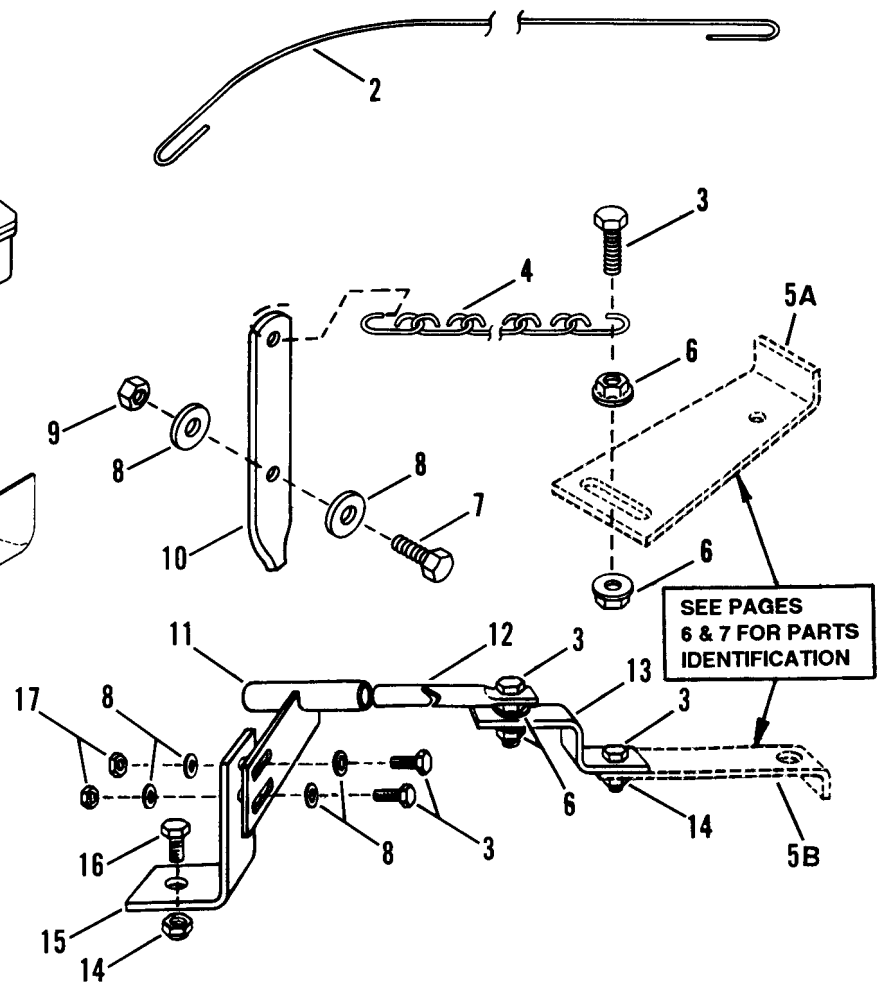
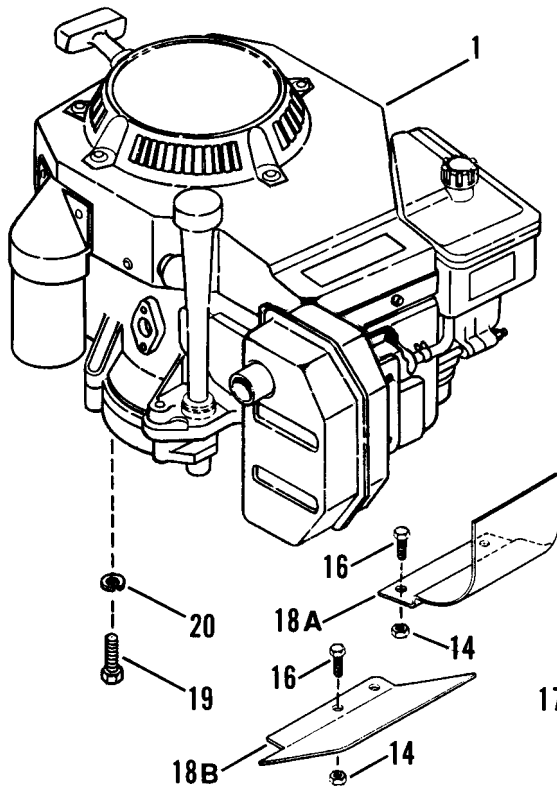
## PAGE

## GROUP

---

3	ENGINE SUB-ASSEMBLY
4, 5	REAR DECK, AXLE & TRANSMISSION PULLEY ASSEMBLIES
6, 7	TANK BRACKET ASSEMBLY
8	TRANSMISSION DRIVE ASSEMBLY
9	FUEL TANK ASSEMBLY
10, 11	LOOP HANDLE & CONTROL ASSEMBLIES
12, 13	PISTOL GRIP HANDLE & CONTROL ASSEMBLIES
14, 15	36" MOWER DECK ASSEMBLY (PMA7361 & PMA7362)
16, 17	48" MOWER DECK ASSEMBLY (PMA7481 & PMA7482)
18	BLADE BRAKE (PMA7361 & PMA7362)
19	BLADE BRAKE (PMA7481 & PMA7482)
20	TRACTION, REAR WHEEL ASSEMBLY
21	CASTER, WHEEL & TIRE ASSEMBLY
22	BRAKE ASSEMBLY
23	DECK IDLER ASSEMBLY
24	BLADE DECK IDLER ASSEMBLY (PMA7481 & PMA7482)
25	CUTTER HOUSING ASSEMBLY
26	ELECTRICAL COMPONENTS - LOOP HANDLE
27	ELECTRICAL COMPONENTS - PISTOL GRIP HANDLE
28	DECALS

# ENGINE SUB-ASSEMBLY

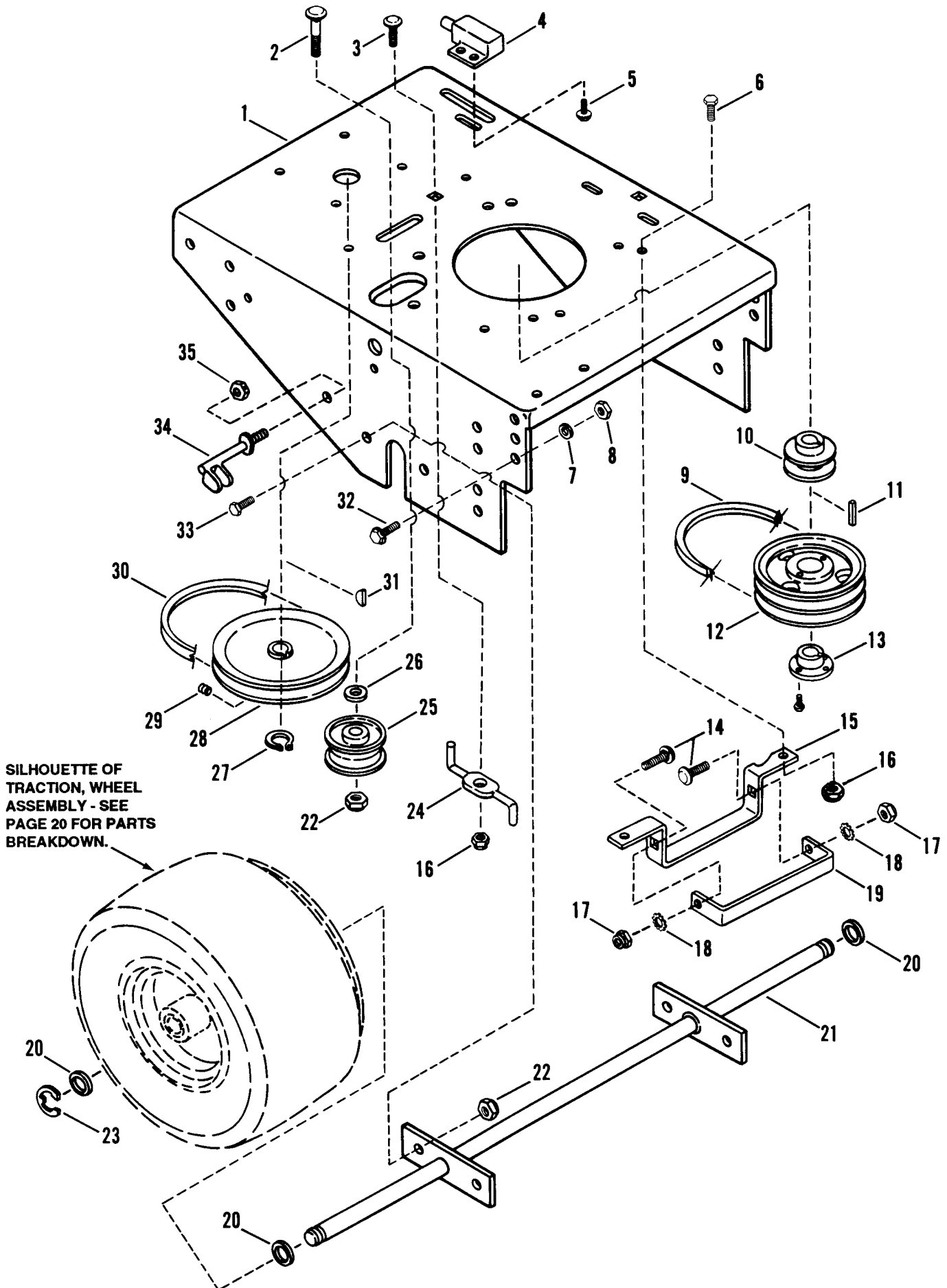


SEE PAGES  
6 & 7 FOR PARTS  
IDENTIFICATION

**NOTE! ORDER ENGINE PARTS FROM ENGINE MANUFACTURER.**

ITEM	PART NO.	DESCRIPTION
1	7-6567	ENGINE, 12.5HP Kawasaki
--	2-4682	ENGINE, 12.5HP Kohler (Shown)
--	2-4023	ENGINE, 14HP Kawasaki
--	2-4681	ENGINE, 14HP Kohler (Shown)
2	2-4712	ROD, Reverse (12.5 HP & 14 HP Kohler)
3	9-0548	SCREW, 1/4-20 x 1" Hex Cap (3)
4	2-4589	CHAIN, Reverse (12.5 HP Kawasaki)
5A	3-3722	ARM, Reverse (12.5HP Kohler & Kawasaki, 14HP Kohler)
5B	3-3654	ARM, Reverse (14HP Kawasaki)
6	9-0583	NUT, 1/4-20 Hex Flange Lock (2)
7	9-1176	SCREW, M6-1 x 14mm Hex Cap (12 HP Kawasaki)
8	9-0055	WASHER, 1/4 Flat (6) (12 HP Kawasaki)
9	9-1175	NUT, M6-1mm Hex (12 HP Kawasaki)
10	3-3687	LEVER, Reverse (12 HP Kawasaki)
11	4-1375	WELDMENT, Guide (14 HP Kawasaki)
12	2-4855	ROD, Reverse (14 HP Kawasaki)
13	3-3655	STRAP, Reverse (14 HP Kawasaki)
14	9-0717	NUT, 5/16-18 Hex Lock (14 HP Kawasaki)
15	4-1379	WELDMENT, Support (14 HP Kawasaki)
16	7-6934	SCREW, 5/16-18 x 3/4" Hex Cap (14 HP Kawasaki)
17	7-6978	NUT, 1/4-20 Hex Lock (14 HP Kawasaki)
18A	3-3572	SHIELD, Heat (12.5HP Kawasaki)
18B	3-3319	SHIELD, Heat (12.5 & 14HP Kohler, 14HP Kawasaki)
19	7-7692	SCREW, M8-1.25 x 25mm Hex Cap (4)
20	9-0187	WASHER, 5/16 Split Lock (4)

# REAR DECK, AXLE & TRANSMISSION PULLEY ASSEMBLIES

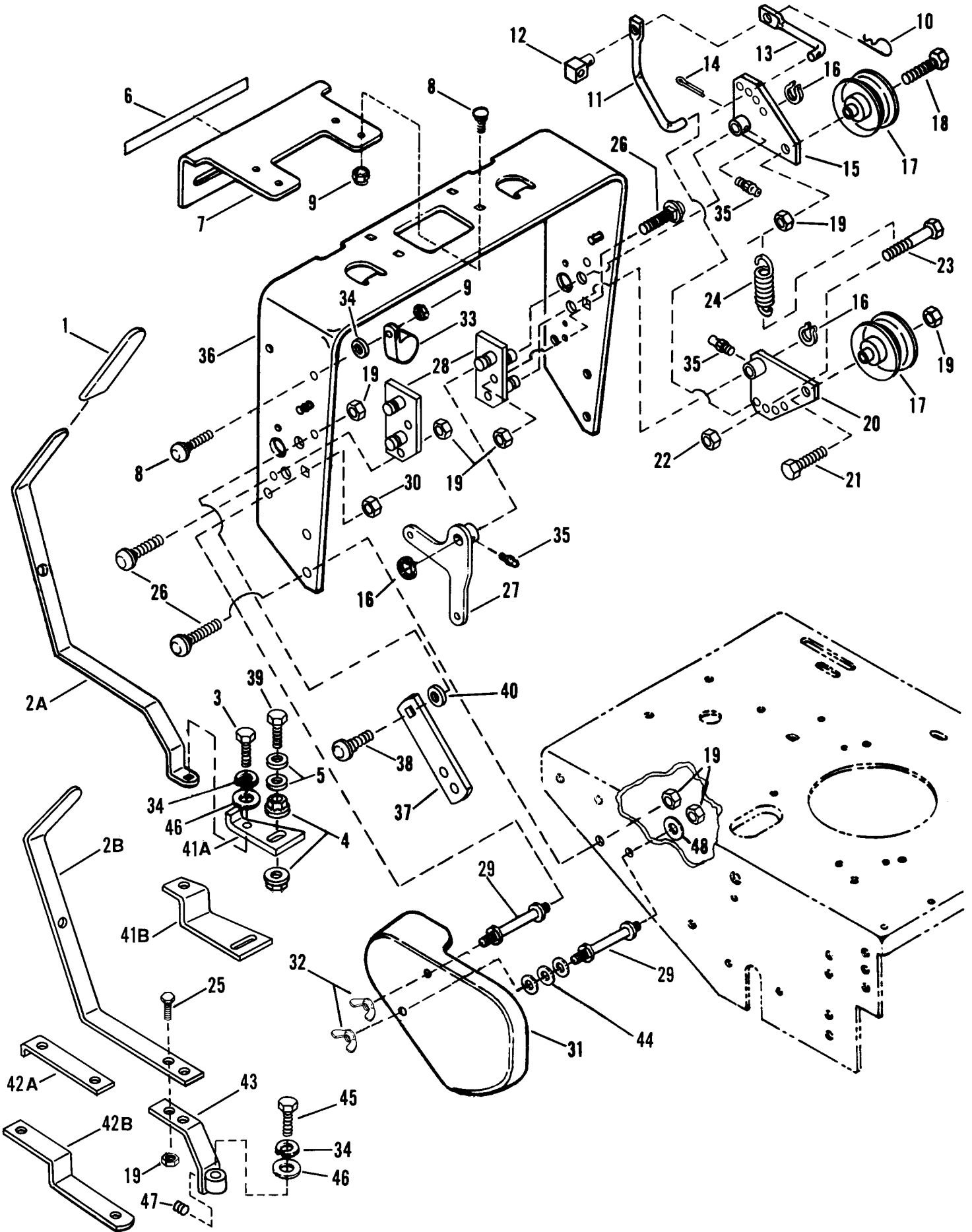


SILHOUETTE OF TRACTION, WHEEL ASSEMBLY - SEE PAGE 20 FOR PARTS BREAKDOWN.

## REAR DECK, AXLE & TRANSMISSION PULLEY ASSEMBLIES

ITEM	PART NO.	DESCRIPTION
1	4-0728	REAR DECK WELDMENT
2	9-1158	BOLT, 3/8-16 x 1 3/4" Grade 5 Short Neck Carriage
3	9-0383	BOLT, 5/16-18 x 1" Short Neck Carriage
4	1-9098	SWITCH, Blade
5	7-7873	SCREW, #12-14 x 1/2" Slotted Hex Head Flange, Self-Tapping (2)
6	9-0206	BOLT, 5/16-18 x 3/4" Hex Head Cap (2)
7	9-0254	WASHER, 1/2" Split Lock (6)
8	9-0258	NUT, 1/2-13 Hex (6)
9	3-8624	BELT, Engine/Deck, 36" (Model PMA736)
-	2-4678	BELT, Engine/Deck, 48" (Model PMA748)
10	1-7539	PULLEY, Engine/Transmission
11	1-7033	KEY, 1/4" x 1/4" x 2 1/2" Square
12	1-7337	PULLEY, Engine/Deck
13	2-3381	BUSHING, Taperlock (Includes Bolts)
14	9-0496	BOLT, 1/4-20 x 1" Grade 2 Short Neck Carriage (Model PMA748) (2)
15	3-3420	GUIDE, Engine Belt (Model PMA736)
-	3-3428	GUIDE, Engine Belt (Model PMA748)
16	9-0717	NUT, 5/16-18 Nyloc (3)
17	7-6978	NUT, 1/4-20 (Model PMA748) (2)
18	9-0574	WASHER, 1/4 Internal/External Tooth Lock (Model PMA748) (2)
19	2-4288	SUPPORT, Belt (Model PMA748)
20	1-6561	BUSHING, Axle (4)
21	4-7952	AXLE WELDMENT
22	7-6979	NUT, 3/8-16 Nyloc (4)
23	1-2730	E-RING, 1"
24	3-3341	KEEPER, Belt
25	1-9078	PULLEY, Idler
26	9-0250	WASHER, Flat
27	1-2763	SNAP-RING, 5/8"
28	1-7532	PULLEY, Transmission
29	7-7680	SCREW, 1/4-20 x 5/16" Set, Knurled Cup Point
30	1-7334	BELT, Engine/Transmission
31	1-0211	KEY, #9 Woodruff
32	9-0622	BOLT, 1/2-13 x 1 1/4" Hex Head Flange (6)
33	9-0563	SCREW, 3/8-16 x 1" Hex Head Cap (4)
34	4-0627	SCRAPER, Wheel (2)
35	9-0289	NUT, 3/8-24 Center Lock (2)

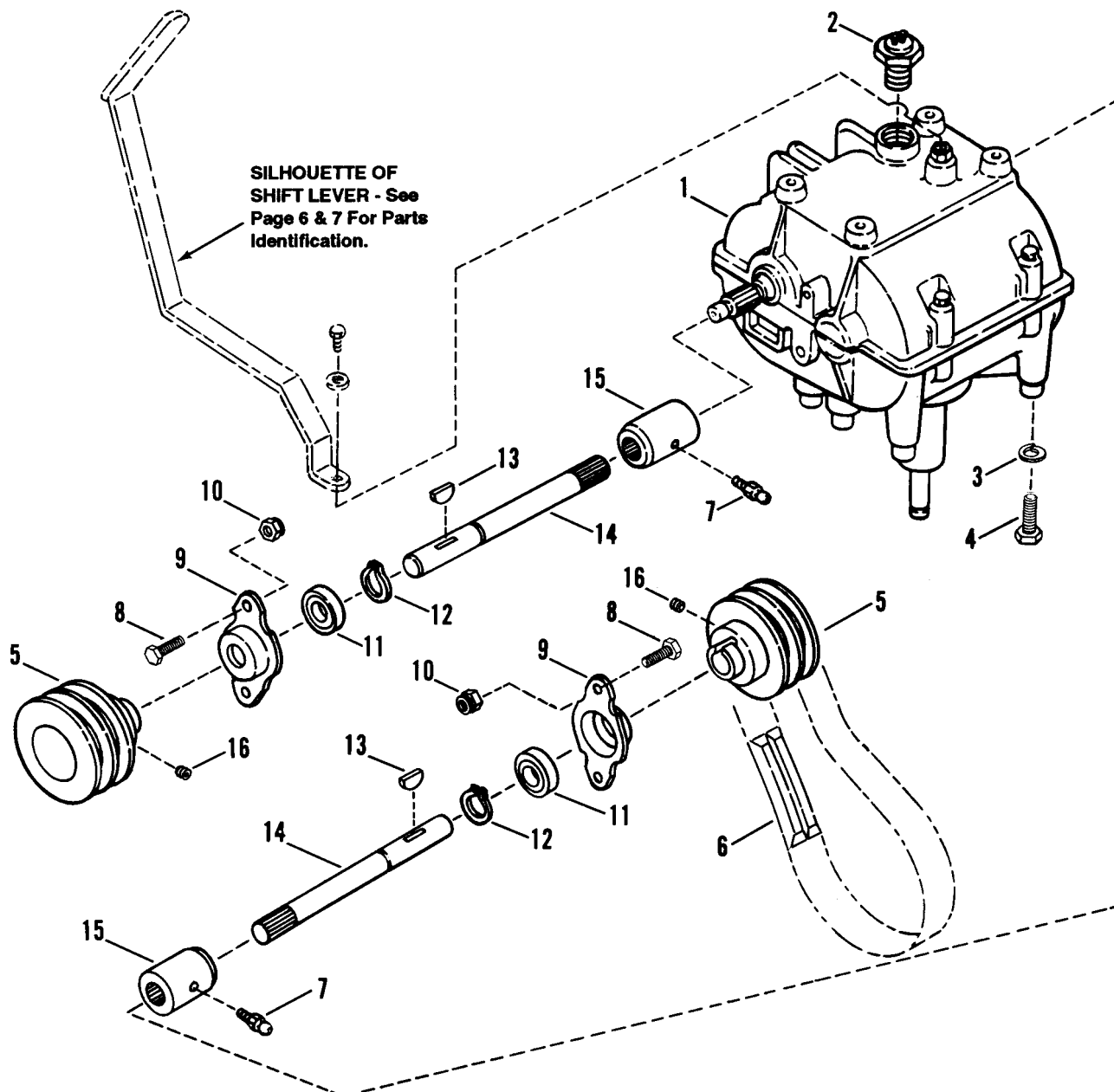
# TANK BRACKET ASSEMBLY



# TANK BRACKET ASSEMBLY

ITEM	PART NO.	DESCRIPTION
1	7-6526	GRIP, Shift Lever
2A	3-3250	LEVER, Shifter (Early Production Series 1) & (Series 2)
2B	3-3758	LEVER, Shifter (Late Production Series 1 Only)
3A	9-0100	SCREW, 1/4-28 x 5/8" Hex Cap (Early Production Series 1) & (Series 2)
3B	9-0541	SCREW, 1/4-28 x 3/4" Hex Cap (Late Production Series 1 Only)
4	9-0583	NUT, 1/4-20 Hex Flange Lock (2)
5	1-4241	WASHER, 1/4" I.D., 1" O.D. Flat (12.5HP Kohler, Kawasaki, 14HP Kohler) (2)
6	2-2333	DECAL, Shift
7	3-3253	QUADRANT, Shift
8	7-6972	SCREW, 1/4-20 x 3/4" Short Neck Carriage (5)
9	7-6978	NUT, 1/4-20 Hex, Nyloc (5)
10	1-6231	HAIR-PIN, 3/32 x 1 3/16" (2) (Used With Pistol Grip)
11	3-3715	LINK, Long (Left Hand)
--	3-3714	LINK, Long (Right Hand)
12	2-4607	SWIVEL
13	3-3713	LINK, Short
14	9-0038	COTTER-PIN, 3/32 x 1" (6) (2 Used With Loop Handle)
15	4-1358	WELDMENT, Idler (2) (Upper Left & Lower Right Sides)
16	1-0739	SNAP-RING, 5/8 (5)
17	2-4707	PULLEY, Idler
18	9-0796	SCREW, 3/8-16 x 2 1/2" Hex Head Cap (2)
19	7-6979	NUT, 3/8-16 Hex, Nyloc (18)
20	4-1357	WELDMENT, Idler (2) (Lower Left & Upper Right Sides)
21	9-0588	SCREW, 3/8-16 x 2" Hex Head Cap (2)
22	9-0585	NUT, 5/16-18 Hex Flange Lock (4)
23	9-0206	SCREW, 5/16-18 x 3/4" Hex Head Cap (2)
24	2-4717	SPRING, Extension (2)
25	9-0563	SCREW, 3/8-16 x 1" Hex Head Cap (2)
26	9-0747	BOLT, 3/8-16 x 1" Carriage (4)
27	4-0747	WELDMENT, Blade Bellcrank
28	4-1360	WELDMENT, Idler Pivot (Left Hand)
--	4-1359	WELDMENT, Idler Pivot (Right Hand)
29	2-2768	STUD, Fender Mount (4)
30	9-0665	NUT, 3/8-16 Hex Jam (2)
31	2-4713	FENDER, Left Hand
--	2-4714	FENDER, Right Hand
32	9-1049	WING-NUT, 3/8-16 (4)
33	1-8999	MODULE (Kohler) (Shown)
--	2-2849	MODULE (Kawasaki)
34	9-0053	WASHER, 1/4 Internal Tooth Lock
35	7-6998	FITTING, Lube (5)
36	3-3726	BRACKET, Tank
37	3-3720	ARM, Brake (2)
38	9-0136	BOLT, 3/8-16 x 3/4" Short Neck Carriage (2)
39	9-0548	SCREW, 1/4-20 x 1" Hex Head Cap, Grade 5
40	9-0122	WASHER, 3/8 Flat
41A	3-3722	ARM, Reverse (12.5HP Kohler & Kawasaki, 14HP Kohler) (Early Production Series 1) & (Series 2) (Shown)
41B	3-3798	ARM, Reverse (12.5HP Kohler & Kawasaki, 14HP Kohler) (Late Production Series 1 Only)
42A	3-3654	LEVER, Reverse (14HP Kawasaki) (Early Production Series 1) & (Series 2)
42B	3-3802	LEVER, Reverse (14HP Kawasaki) (Late Production Series 1 Only)
43	4-1373	WELDMENT, Shifter Lever (Late Production Series 1 Only)
44	9-0517	WASHER, 3/8 Flat (6)
45	9-0547	SCREW, 5/16-18 x 1/2" Hex Head Cap
46	9-0598	WASHER, 1/4 Flat
47	9-0471	SCREW, 1/4-20 x 5/16" Socket Set
48	9-0250	WASHER, 1/2 Flat (2)

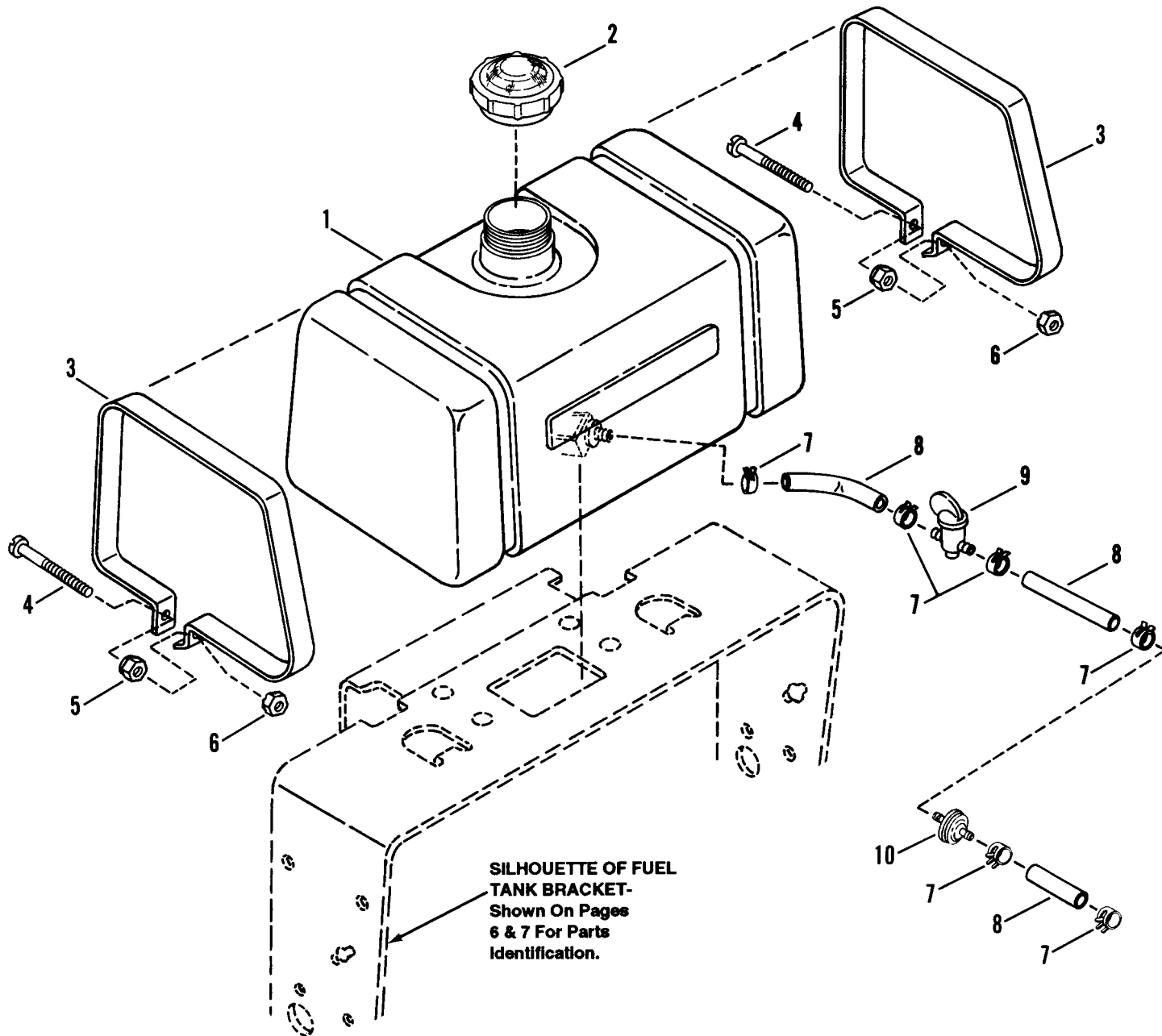
# TRANSMISSION DRIVE ASSEMBLY



ITEM	PART NO.	DESCRIPTION
1	1-7533	TRANSMISSION (Early Production Series 1) & (Series 2)
-	2-4999	TRANSMISSION (Late Production Series 1 Only)
2	1-6155	SWITCH, Transmission
3	9-0187	WASHER, 5/16 Split Lock (4)
4	7-6934	BOLT, 5/16-18 x 3/4" Hex Head Cap (4)
5	2-4708	PULLEY, Output (2)
6	2-4891	BELT, Traction (2)
7	7-6998	FITTING, Lube (2)
8	9-0073	SCREW, 1/4-20 x 3/4" Hex Head Cap (4)
9	3-3718	FLANGE, Output (2)
10	7-6978	NUT, 1/4-20 Nyloc (4)
11	1-4514	BEARING, Output (2)
12	1-2763	RING, Retaining (2)
13	1-0211	KEY, #9 Woodruff (2)
14	1-7537	SHAFT, Output (2)
15	1-7536	COUPLER (2)
16	7-6956	SCREW, 5/16-18 x 3/8" Set, Knurled Cup Point (2)

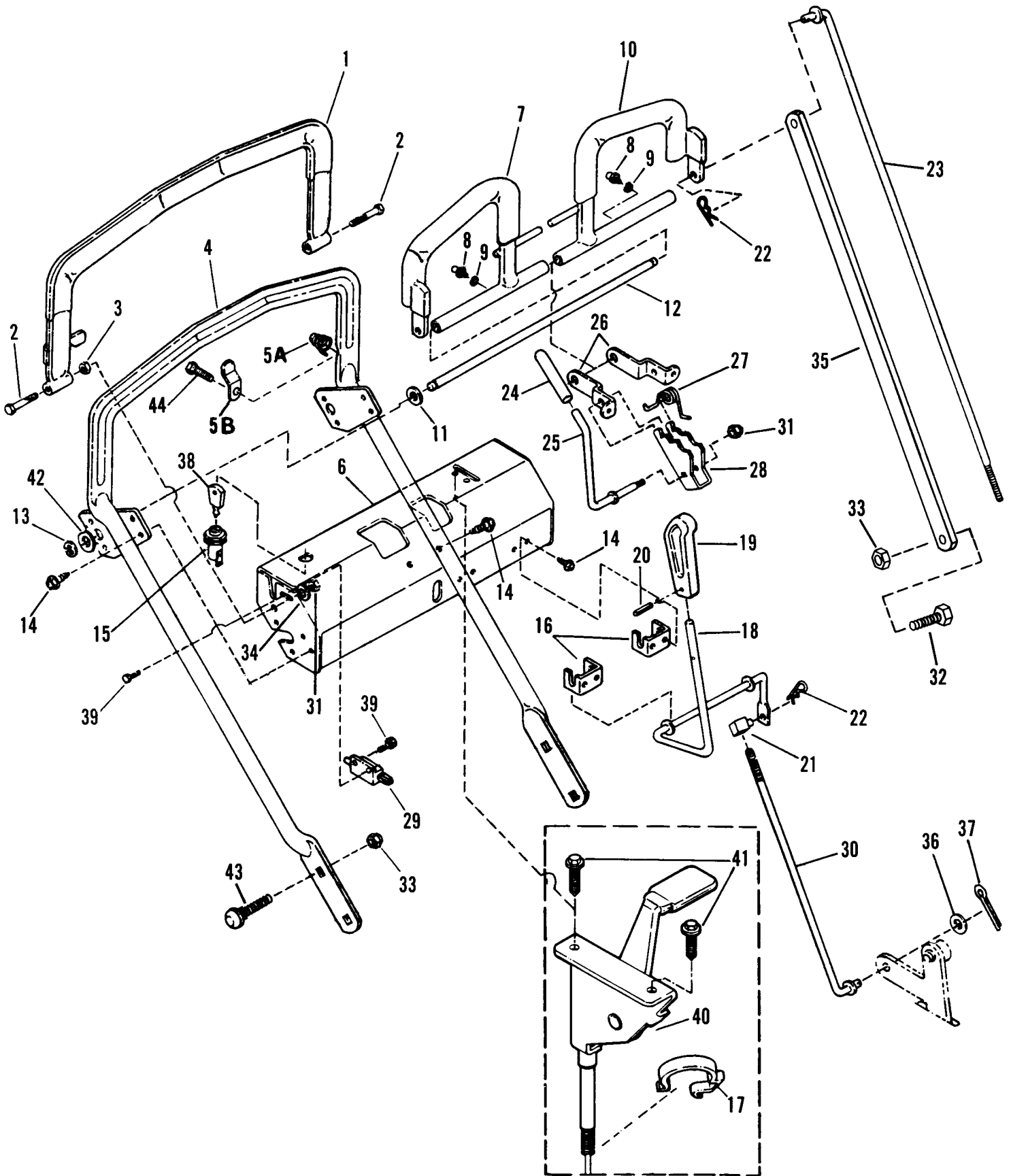


# FUEL TANK ASSEMBLY



ITEM	PART NO.	DESCRIPTION
1	1-9186	TANK, Fuel (Includes item 2)
2	1-4363	CAP, Fuel
3	3-2875	STRAP, Fuel Tank (2)
4	9-1207	SCREW, #10-24 x 2-1/2" Machine Head Phillips (2)
5	9-1053	NUT, #10-24 Keps (2)
6	9-0594	NUT, #10-24 Nyloc (2)
7	1-2222	CLAMP, Fuel Hose (6 ea., Kawasaki) (4 ea., Kohler)
8	3-2956	HOSE, Fuel, 10" Long (2 ea., Kohler) (1 ea., Kawasaki)
--	7-6272	HOSE, Fuel, 3 1/2" Long (12.5HP Kawasaki, 2 ea.) (14HP Kawasaki, 1 ea.)
--	2-4055	HOSE, Fuel, 6 1/2" Long (14HP Kawasaki)
9	1-6325	VALVE, Fuel Shut-Off
10	1-4359	FILTER, Fuel, In-Line (Kawasaki)

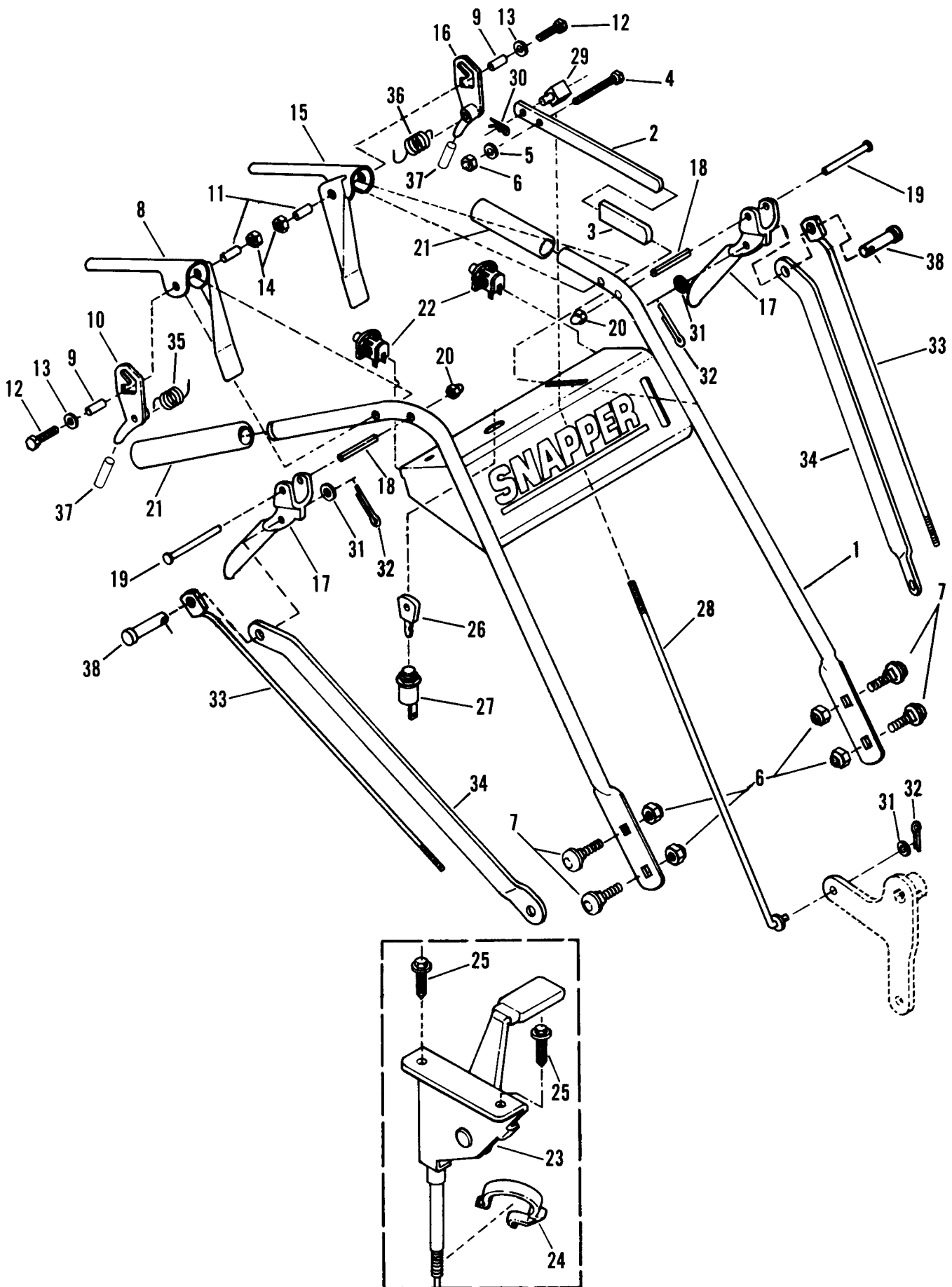
# LOOP HANDLE & CONTROL ASSEMBLIES



## LOOP HANDLE & CONTROL ASSEMBLIES

ITEM	PART NO.	DESCRIPTION
1	1-7162	BAIL, OPC (With Grip)
2	9-1003	BOLT, 1/4-20 x 3/4" Hex Head (2)
3	9-0977	NUT, 1/4-20 Hex (2)
4	4-0743	HANDLE, Loop
5A	1-7154	SPRING, Conical (Early Production)
5B	3-3889	SPRING, Loop Handle (Late Production)
6	2-4194	CONTROL, Console
7	2-2741	LEVER, Traction (Right Hand)
8	7-6998	FITTING, Lube (2)
9	9-0053	WASHER, 1/4 Internal Tooth Lock (2)
10	2-2740	LEVER, Traction (Left Hand)
11	9-0250	WASHER, 1/2 Flat
12	2-2166	ROD, Pivot
13	1-4341	E-RING, 1/2 (2)
14	9-1122	SCREW, 1/4-20 x 1/2" Self-Tapping (14)
15	1-5211	SWITCH, On-Off (Includes Key)
16	3-3200	BRACKET, Lever Mounting (2)
17	1-1709	CLIP, Cable
18	1-7649	LEVER, Blade Engagement
19	1-9376	KNOB
20	9-0844	PIN, 3/16 x 3/4" Roll
21	2-4607	SWIVEL
22	1-6231	HAIR-PIN, 3/32 x 1 3/16" (2)
23	2-4711	ROD, Traction (2)
24	1-1879	GRIP, Neutral Latch
25	1-7322	LEVER, Neutral Latch
26	3-3193	BRACKET, Neutral Mounting (2)
27	1-7323	SPRING, Neutral
28	3-3479	LATCH
29	1-9098	SWITCH, OPC
30	1-7319	ROD, Blade Clutch (Loop Handle)
31	7-6978	NUT, 1/4-20 Hex, Nyloc
32	9-0563	SCREW, 3/8-16 x 1" Hex Head Cap (2)
33	7-6979	NUT, 3/8-16 Hex, Nyloc (6)
34	9-0598	WASHER, 1/4 Flat (2)
35	3-3721	STRAP, Brake Loop (2)
36	9-0517	WASHER, 3/8 Flat (3)
37	9-0038	COTTER-PIN, 3/32 x 1"
38	2-3504	KEY (With Cover)
39	7-7873	SCREW, #12-14 x 1/2" Self-Tapping (2)
40	2-4665	CONTROL, Throttle (Kohler)
-	2-2354	CONTROL, Throttle (Kawasaki)
41	9-0307	SCREW, #10-24 x 1/2" Self-Tapping (2)
42	9-1030	BUSHING, 1/2 Machine (2)
43	9-0747	BOLT, 3/8-16 x 1" Carriage (4)
44	9-0554	SCREW, 5/16-18 x 3/8" Self-Tapping

# PISTOL GRIP HANDLE & CONTROL ASSEMBLIES



## PISTOL GRIP HANDLE & CONTROL ASSEMBLIES

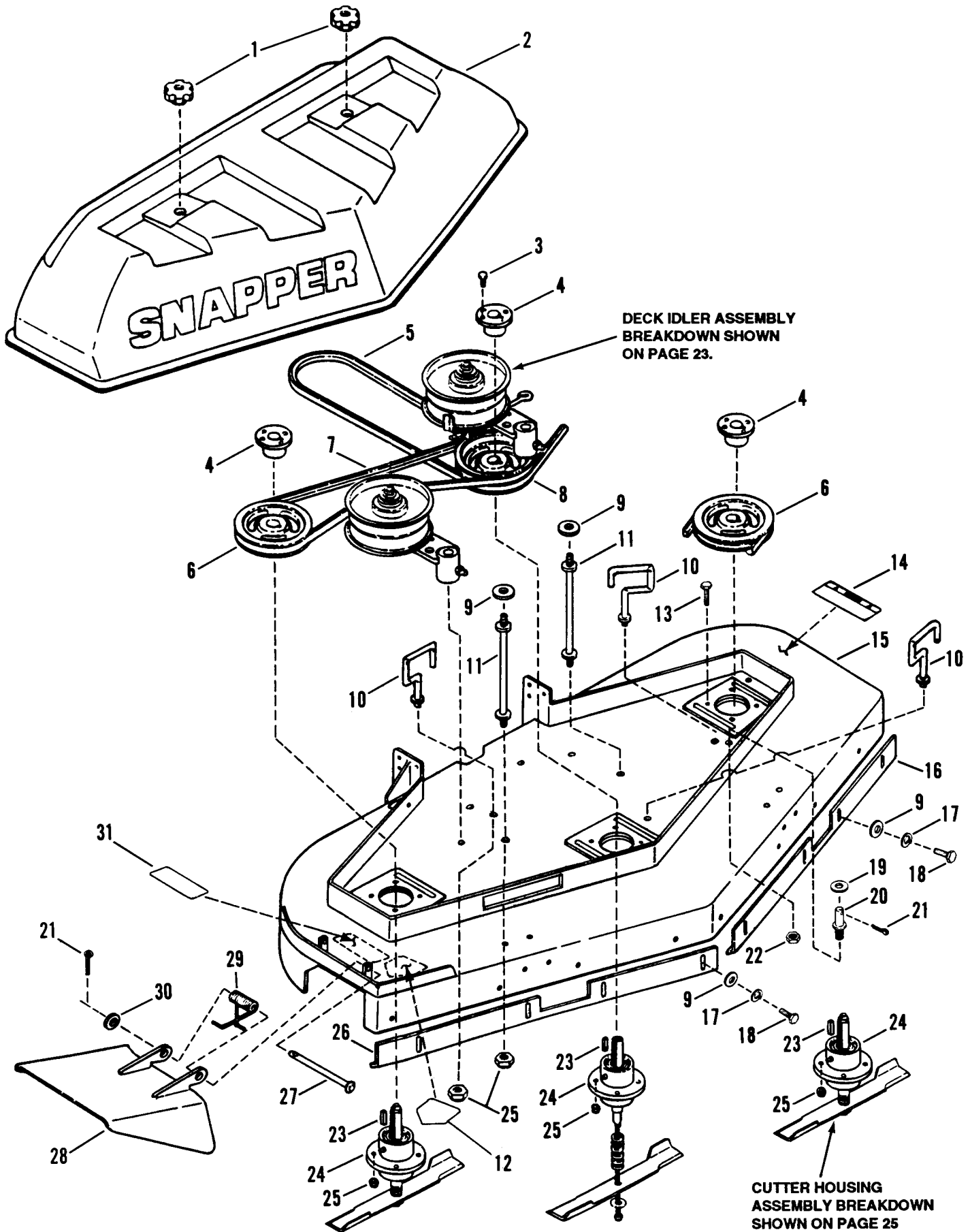
ITEM	PART NO.	DESCRIPTION
1	4-1147	HANDLE, Pistol Grip
2	3-3550	LEVER, Blade Engagement
3	7-6526	GRIP, Lever
4	9-0590	SCREW, 3/8-16 x 3" Hex Head Cap
5	9-0250	WASHER, 3/8" Flat
6	7-6979	NUT, 3/8-16 Hex, Nyloc (5)
7	9-0747	BOLT, 3/8-16 x 1" Short Neck Carriage (Grade 2) (4)
8	4-1317	GRIP, Pistol OPC (Right Hand)
9	2-4079	SPACER, OPC (2)
10	4-1320	LATCH (Right Hand)
11	2-4129	SPACER, Brake (2)
12	9-0971	SCREW, 1/4-20 x 2-3/4" Hex Head Cap (2)
13	9-0055	WASHER, 1/4 Flat (2)
14	9-0761	NUT, 1/4-20 Hex Lock (2)
15	4-1318	GRIP, Pistol OPC (Left Hand)
16	4-1319	LATCH (Left Hand)
17	7-7870	LEVER, Drive (With Grip)
18	2-3313	PIN, 5/16 x 1-1/8" Roll (2)
19	1-4733	PIN, 3/16 x 1-3/4" Clevis (2)
20	1-4734	NUT, 3/16 Push (2)
21	2-4127	GRIP, Handle (2)
22	1-5707	SWITCH, OPC (2)
23	2-4665	CONTROL, Throttle (Kohler)
—	2-2354	CONTROL, Throttle (Kawasaki)
24	1-1709	CLIP, Throttle
25	9-0307	SCREW, #10-24 x 1/2" Self-Tapping (2)
26	2-3504	KEY (With Cover)
27	1-5211	SWITCH (On-Off)
28	2-4099	ROD, Blade Clutch
29	2-4607	SWIVEL
30	1-6231	HAIR-PIN, 3/32 x 1 3/16" (3)
31	9-0517	WASHER, 3/8 Flat
32	9-0038	COTTER-PIN, 3/32 x 1" (3)
33	2-4710	ROD, Traction (2)
34	3-3725	STRAP, Brake (Left Side)
—	3-3719	STRAP, Brake (Right Side)
35	2-4501	SPRING, Torsion (Left Hand)
36	2-4502	SPRING, Torsion (Right Hand)
37	2-4571	GRIP
38	2-4590	PIN, 5/16 x 2" Reverse (2)



## 36" MOWER DECK ASSEMBLY (PMA7361, PMA7362)

ITEM	PART NO.	DESCRIPTION
1	2-3735	KNOB, Hood
2	1-7812	HOOD
3	9-0643	BOLT, 1/4-20 x 7/8" Hex Head Cap (4)
4	2-3381	BUSHING, Taperlock (2)
5	2-4285	GUIDE, Belt (3) (Series 2)
-	3-3417	GUIDE, Belt (3) (Series 1)
6	1-7336	PULLEY, Cutter Blade Drive (2)
7	7-6941	SCREW, 3/8-16 x 1 1/4" Hex Head Cap (7)
8	9-1047	WASHER, 13/32" I.D., 1 1/2" O.D.
9	<b>2-9908</b>	BELT, 36" Deck
10	2-4156	DECAL, Caution
11	2-2890	STUD, Hood Mount
12	7-6979	NUT, 3/8-16 Hex, Nyloc (11)
13	1-7033	KEY, Spindle, 1/4 x 1/4 x 2 1/2" (2)
14	5-2457	ASSEMBLY, Cutter Housing (2)
15A	4-0957	WELDMENT, 36" Deck (Series 1)
--	4-1572	WELDMENT, 36" Deck (Series 2)
16	2-4124	ROD, Chute Pivot
17	4-1321	DEFLECTOR, 36" Chute
18	9-0038	PIN, 3/32 x 1" Cotter
19	9-0188	WASHER, 5/16 Flat
20	2-4125	SPRING, Chute
21	2-2522	DECAL, Caution
22	1-3010	DECAL, Danger
23	5-3001	HARDWARE, Bag

# 48" MOWER DECK ASSEMBLY (PMA7481, PMA7482)

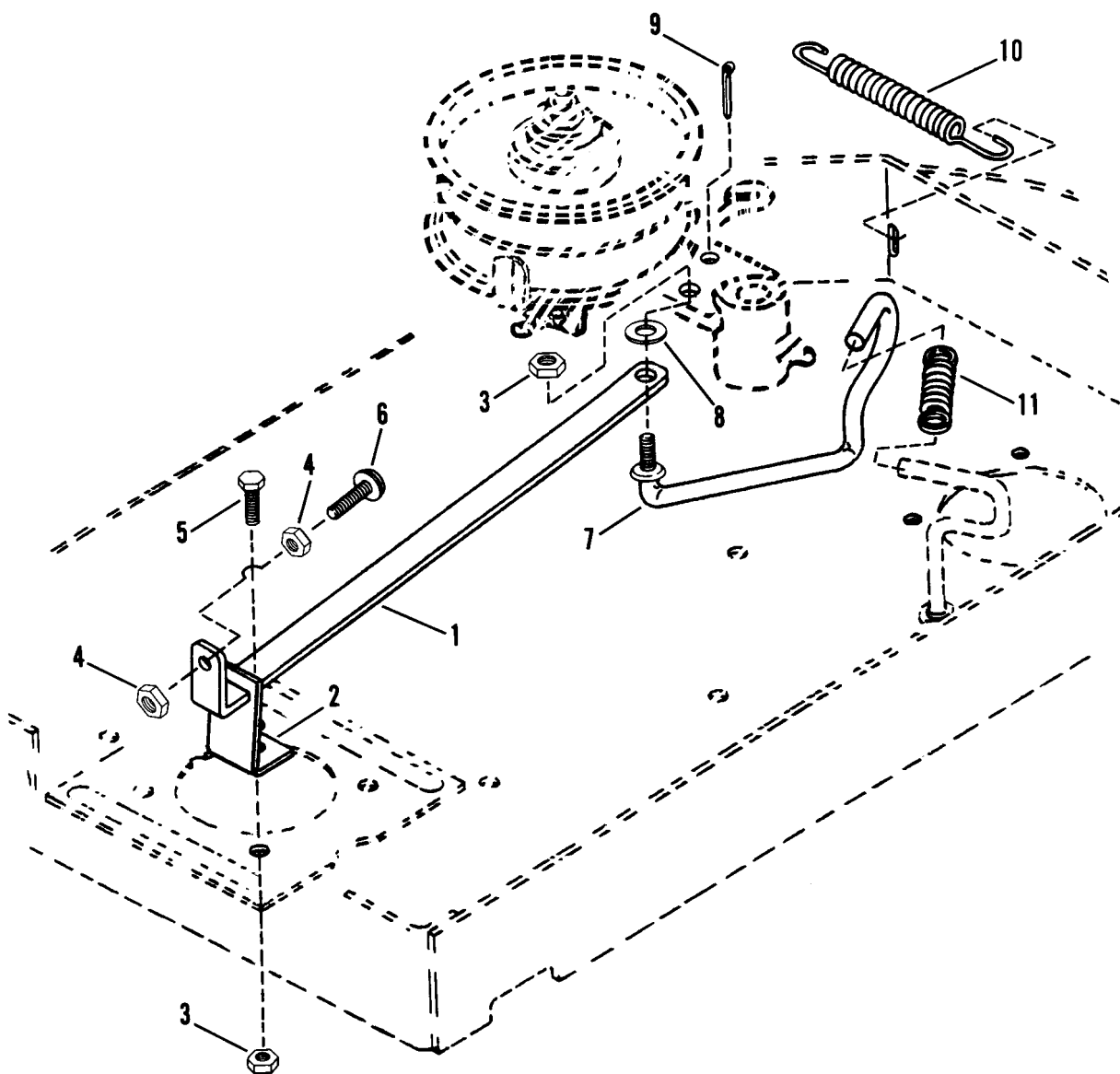




# 48" MOWER DECK ASSEMBLY (PMA7481, PMA7482)

ITEM	PART NO.	DESCRIPTION
1	2-3735	KNOB, Hood (2)
2	1-7874	HOOD
3	9-0643	BOLT, 1/4-20 x 7/8" Hex Head Cap (6)
4	2-3381	BUSHING, Taperlock (3)
5A	2-2541	BELT, Engine To Deck (Series 1)
5B	2-9907	BELT, Engine To Deck (Series 2)
6	1-7336	PULLEY, Cutter Blade Drive (2)
7	1-9205	BELT, Blade, 48" Deck
8	1-7337	PULLEY, Cutter Blade Drive (Double Groove)
9	9-1047	WASHER, 13/32" I.D. x 1-1/2" O.D. (10)
10	2-4285	GUIDE, Belt (3) (Series 2)
--	3-3417	GUIDE, Belt (2) (Series 1)
11	2-2890	STUD, Hood Mount (2)
12	1-3010	DECAL, Danger
13	7-6941	SCREW, 3/8-16 x 1 1/4" Hex Head Cap (12)
14	2-4156	DECAL, Caution
15	4-0980	WELDMENT, 48" Deck (Series 1)
--	4-1571	WELDMENT, 48" Deck (Series 2)
16	3-2957	SKIRT, Front, Left Hand, 48" Deck
17	9-0118	WASHER, 3/8 Split Lock (8)
18	9-1086	SCREW, 3/8-16 x 3/4" Hex Head Cap (Gr 5) (8)
19	9-0122	WASHER, 3/8 Flat
20	1-5464	STUD, Clutch Link (Series 1)
--	2-7899	STUD (Series 2)
21	9-0038	PIN, 3/32 x 1" Cotter (2)
22	9-0289	NUT, 3/8-24 Hex Lock
23	1-7033	KEY, Spindle (3)
24	5-2457	ASSEMBLY, Cutter Housing (3)
25	7-6979	NUT, 3/8-16 Hex (Nyloc) (21)
26	3-2958	SKIRT, Front, Right Hand, 48" Deck
27	2-4124	ROD, Chute Pivot
28	4-0659	DEFLECTOR, Chute, 48" Deck
29	2-4125	SPRING, Chute
30	9-0188	WASHER, 5/16 Flat
31	2-2522	DECAL, Caution
32	5-2814	HARDWARE, Bag

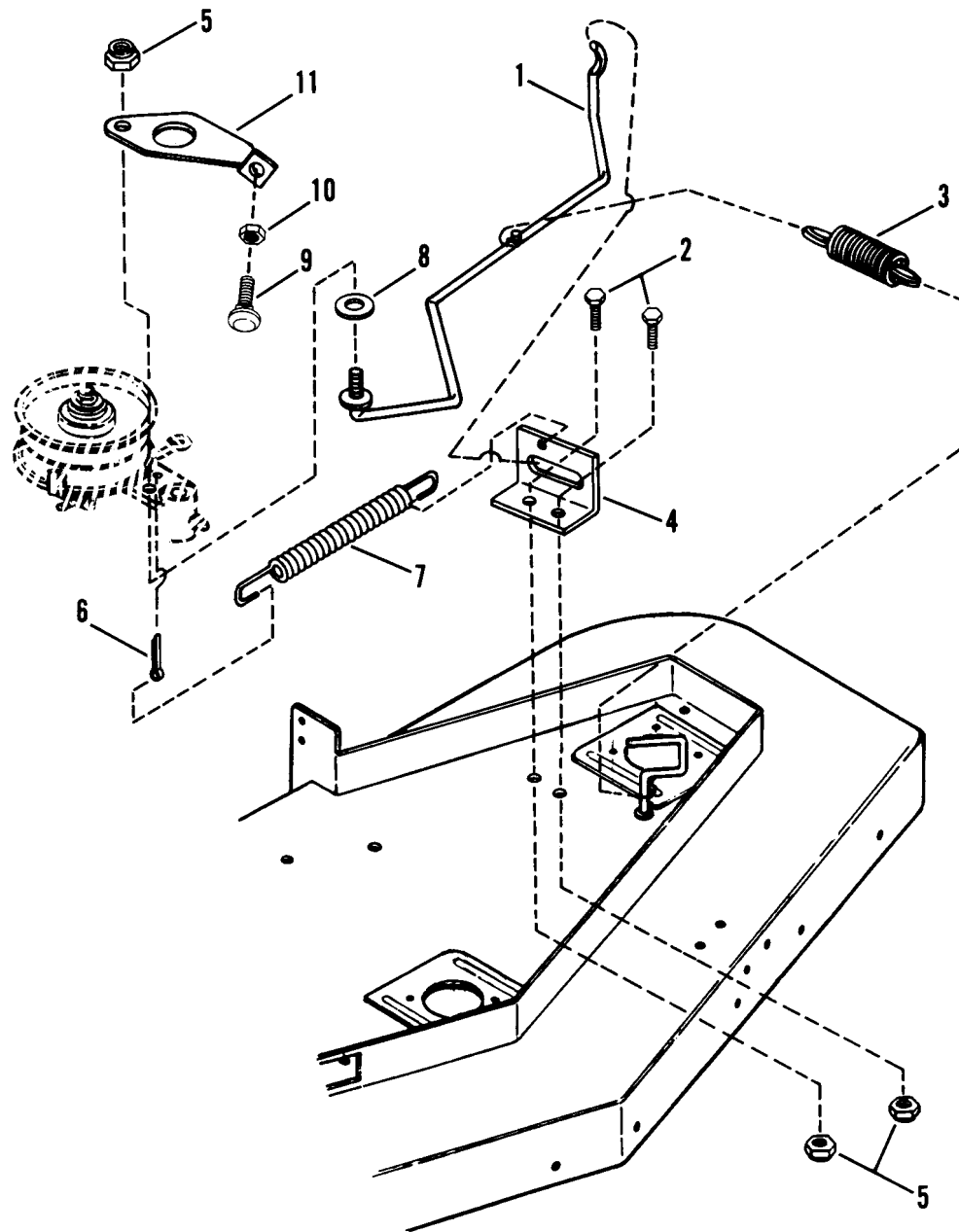
# BLADE BRAKE (PMA7361, PMA7362)



## ITEM PART NO. DESCRIPTION

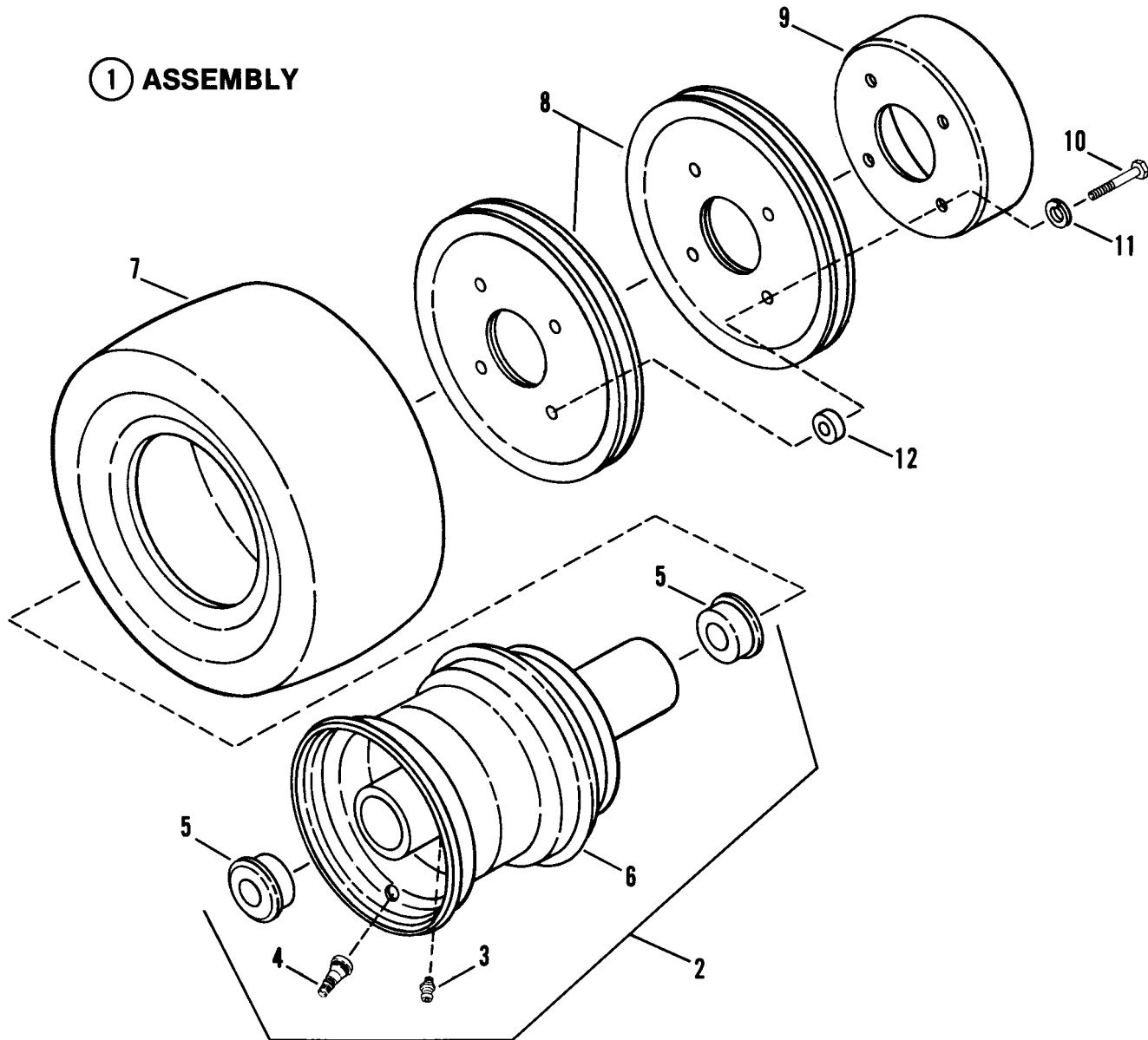
1	3-3453	ARM, Brake, 36" Deck
2	3-3452	BRACKET, Brake Arm
3	7-6979	NUT, 3/8-16 Hex, Nyloc (2)
4	9-0197	NUT, 5/16-18 Hex Jam (2)
5	9-0655	SCREW, 3/8-16 x 1 1/2" Hex Head Cap
6	9-0978	BOLT, 5/16-18 x 1 1/4" Carriage, Grade 2
7	3-3454	GUIDE, Brake Belt
8	1-7855	WASHER, 3/8 Wave
9	9-0357	COTTER-PIN, 3/16 x 3/4"
10	2-2433	SPRING, Idler Return
11	1-6158	SPRING, Traction

# BLADE BRAKE (PMA7481, PMA7482)



ITEM	PART NO.	DESCRIPTION
1	2-4255	GUIDE, Brake Belt
2	9-1086	SCREW, 3/8-16 x 3/4" Hex Head Cap, Grade 5 (2)
3	1-6158	SPRING, Traction
4	3-3491	BRACKET, Brake Arm
5	7-6979	NUT, 3/8-16 Hex, Nyloc (3)
6	9-0357	COTTER-PIN, 3/16 x 3/4"
7	1-2264	SPRING, Idler Return
8	1-7855	WASHER, 3/8 Wave
9	9-1178	BOLT, 5/16-18 x 1 3/4" Carriage, Grade 2
10	9-0197	NUT, 5/16-18 Hex Jam
11	2-4254	ARM, Brake, 48" Deck

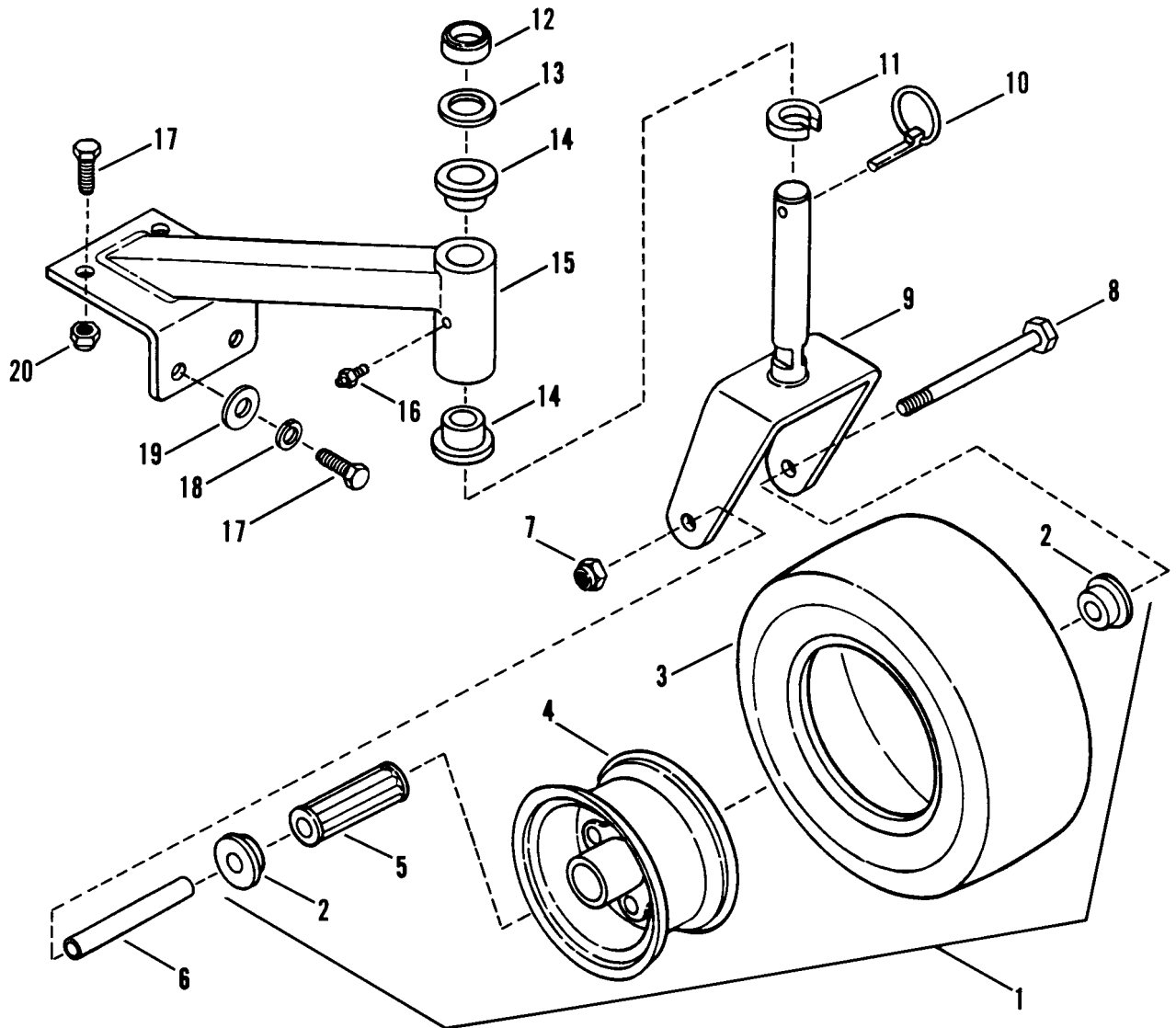
# TRACTION, REAR WHEEL ASSEMBLY



## ITEM PART NO. DESCRIPTION

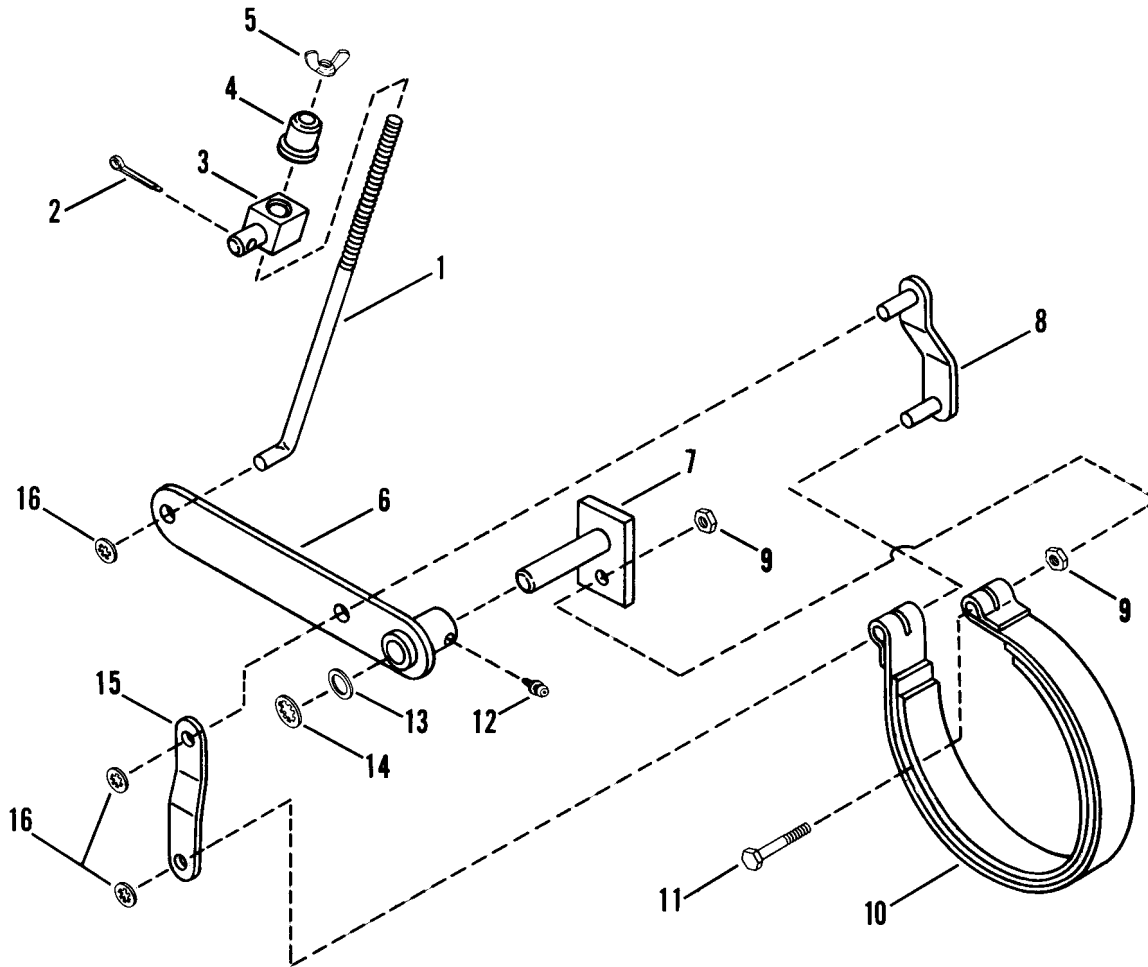
ITEM	PART NO.	DESCRIPTION
1	2-4177	ASSEMBLY, Rear Tire & Rim (Includes items 2 thru 7) (2)
2	2-3518	ASSEMBLY, Rim (Includes items 3 thru 6) (2)
3	7-6998	FITTING, Lube (2)
4	1-2234	VALVE, Air (Snap-In) (2)
5	1-9169	BEARING, Wheel (4)
6	1-6239	RIM (2)
7	2-4176	TIRE, 6.50 x 13-6, 2-Ply, Tubeless (2)
8	1-7531	PULLEY, 8" (4)
9	2-3516	DRUM, Brake (2)
10	7-6935	SCREW, 5/16-18 x 1 1/2" Hex Head Cap (8)
11	9-0187	WASHER, 5/16 Split Lock (8)
12	2-3515	SPACER (8)

# CASTER, WHEEL & TIRE ASSEMBLY



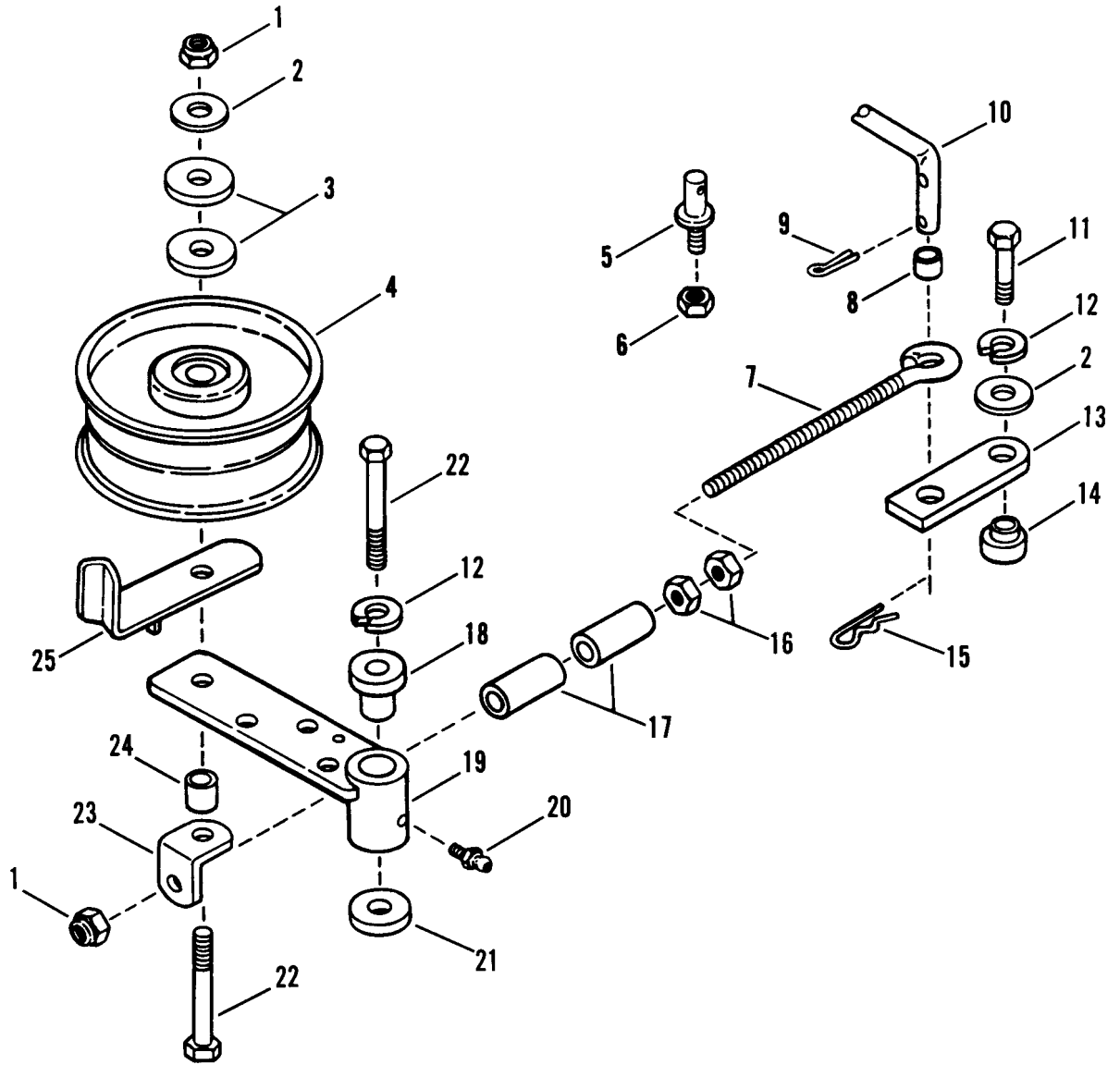
ITEM	PART NO.	DESCRIPTION
1	2-2258	ASSEMBLY, Wheel & Tire (Includes items 2 thru 5)
2	2-2394	RETAINER, Flanged (2)
3	2-2392	TIRE, 9 x 3.50-4 (Includes Tube)
4	2-2393	ASSEMBLY, Wheel (Includes items 2 & 5)
5	2-2395	ROLLER BEARING
6	2-2151	SLEEVE, Axle
7	9-1121	NUT, 1/2-13 Nyloc
8	9-1123	BOLT, 1/2-13 x 5 1/2" Hex Head Cap
9	4-0726	YOKE, Caster Weldment
10	1-7711	PIN, Lynch
11	1-9152	SPACER (3)
12	2-1960	BUSHING
13	2-3747	SPACER
14	2-3556	BUSHING, Caster (2)
15	5-2298	ASSEMBLY, Caster Support (Includes items 14 & 16)
16	7-6998	FITTING, Lube
17	9-0563	SCREW, 3/8-16 x 1" Hex Head Cap, Grade 5 (4)
18	9-0118	WASHER, 3/8 Split Lock (2)
19	9-0517	WASHER, 3/8 Flat (4)
20	7-6979	NUT, 3/8-16 Nyloc (2)

# BRAKE ASSEMBLY



ITEM	PART NO.	DESCRIPTION
1	1-6886	ROD, Brake (2)
2	9-0038	COTTER-PIN, 3/32 x 1" (2)
3	2-4586	SWIVEL, Brake Link (2)
4	1-2306	BUSHING (2)
5	9-1049	WING-NUT, 3/8-16 Nyloc (2)
6	4-1020	LEVER, Brake (2)
7	4-0711	BRAKE MOUNT STUD, Weldment (2)
8	4-0622	LINK, Brake (2)
9	9-0130	NUT, 3/8-16 Hex (4)
10	1-7048	BAND, Brake, 6" (2)
11	9-0588	BOLT, 3/8-16 x 2" Hex Head (2)
12	7-6998	FITTING, Lube (2)
13	9-1043	BUSHING, Machinery, 5/8" I.D., 1" O.D. (2)
14	9-1040	RETAINER, 5/8" (2)
15	3-2903	PLATE, Brake Link (2)
16	1-3946	RETAINER, 3/8" (6)

# DECK IDLER ASSEMBLY



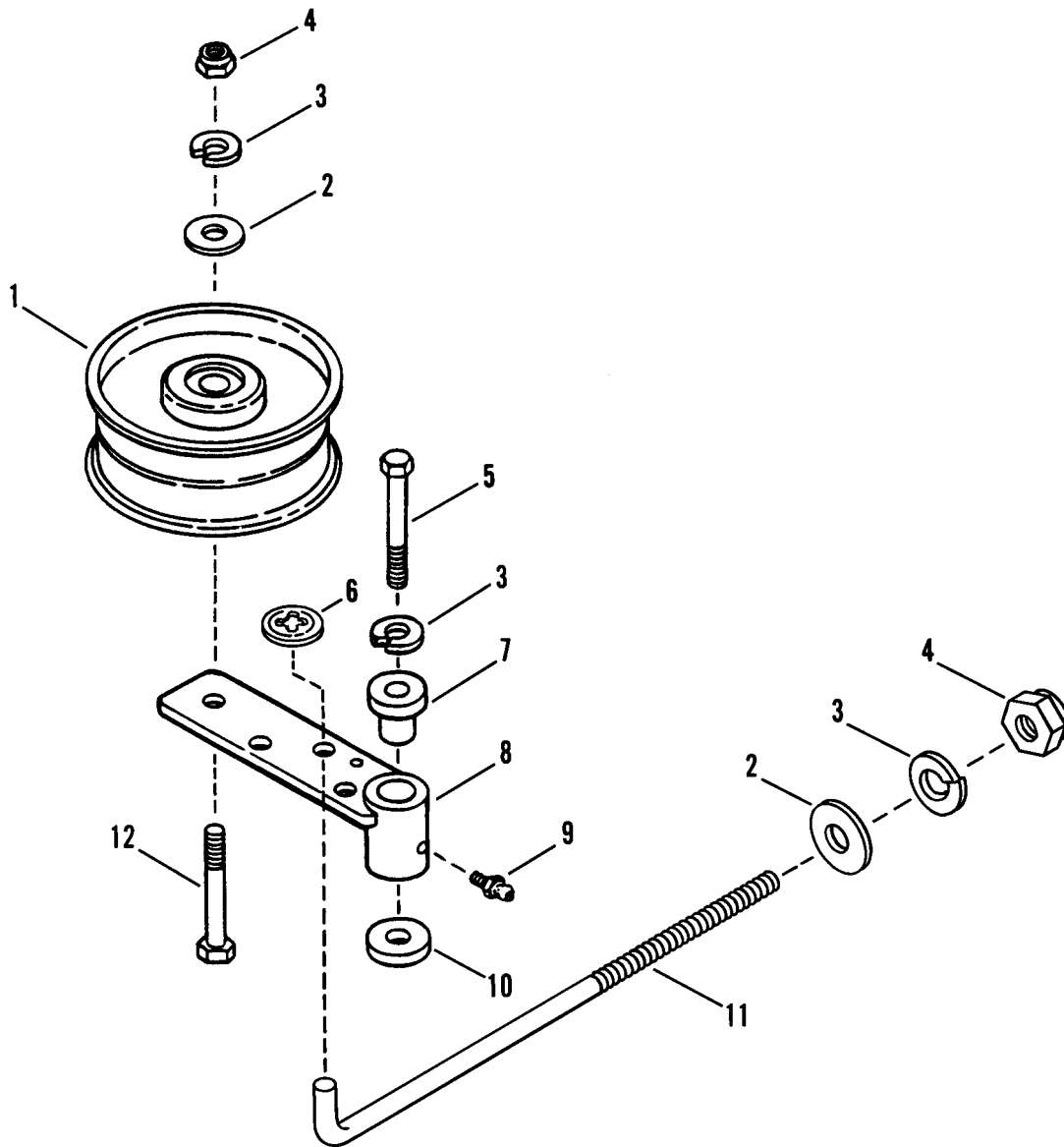
## ITEM PART NO. DESCRIPTION

1	7-6979	NUT, 3/8-16 Hex, Nyloc (2)
2	9-0517	WASHER, 3/8 Flat
3	9-0905	WASHER (2)
4	2-4761	PULLEY, 5" Idler (5.25 Flange) (Ser. 1)
-	2-7942	PULLEY, 5" Idler (5.50 Flange) (Ser. 2)
5	1-5464	STUD (2)
6	9-0289	NUT, 3/8-24 Hex Lock (2)
7	1-7530	LINK STUD, Blade Engagement
8	1-7513	SLEEVE, Linkage
9	9-0038	COTTER-PIN, 3/32 x 1"
10	1-7528	LINK, Blade Engagement
11	9-0655	SCREW, 3/8-16 x 1 1/2" Hex Cap Gr. 5
12	9-0118	WASHER, 3/8 Split Lock (2)
13	3-3709	LINK, Blade Assist

## ITEM PART NO. DESCRIPTION

14	2-2183	SPACER, Pivot
15	1-6231	PIN, Hair, 3/32 x 1 3/16"
16	9-0130	NUT, 3/8-16 Hex (2)
17	2-4095	BUSHING (2)
18	1-6173	SPACER, Pivot
19	4-0981	IDLER ARM, Weldment
20	7-6998	FITTING, Lube
21	1-6561	BUSHING
22	9-0590	BOLT, 3/8-16 x 3" Hex Cap, Gr. 5 (2)
23	3-3204	ANGLE, Blade Engagement
24	1-7509	SPACER, Blade Linkage
25	3-3480	GUIDE, Belt (Series 1)
--	3-4085	GUIDE, Belt (Series 2)

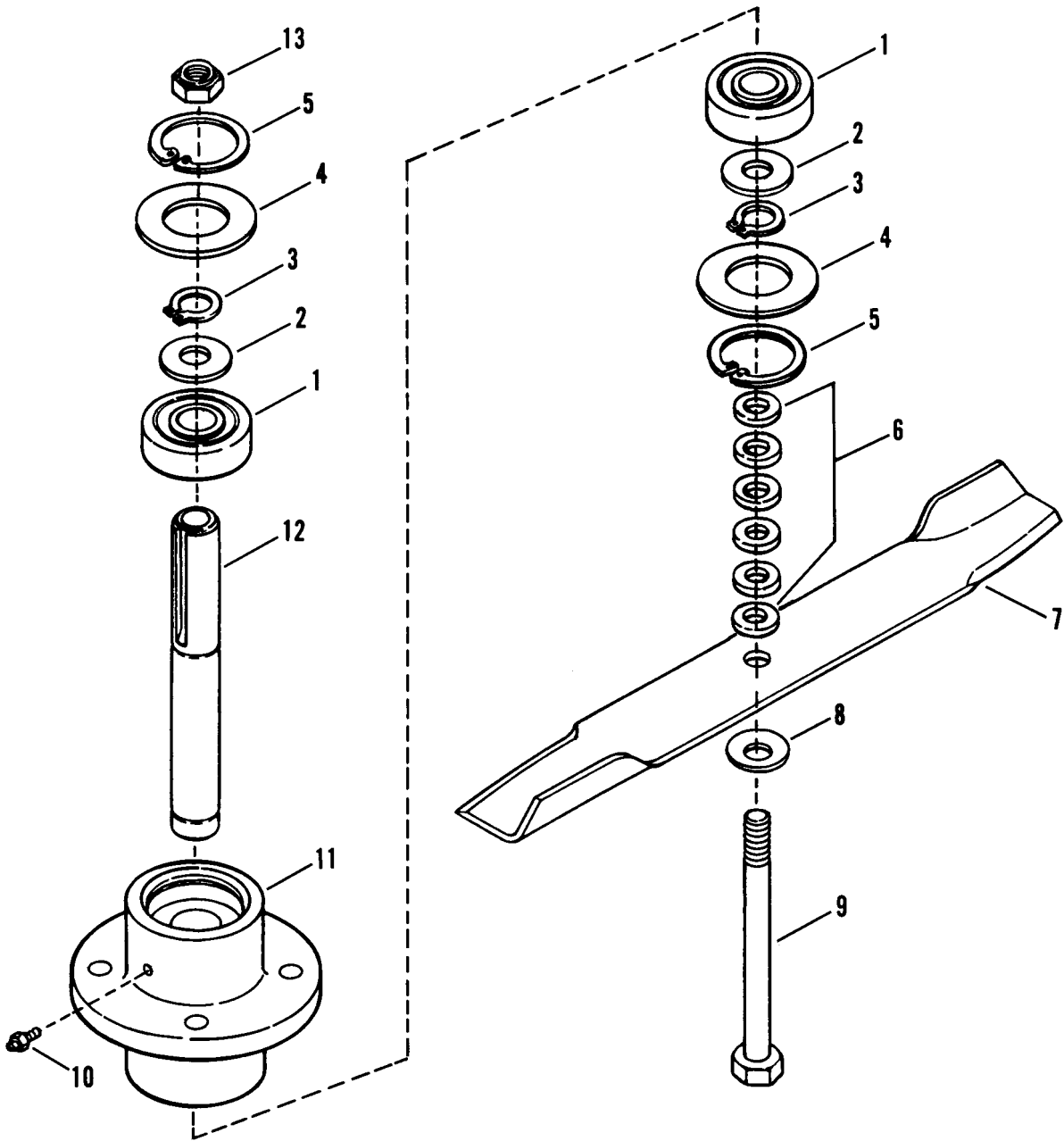
# BLADE DECK IDLER ASSEMBLY (PMA7481 & PMA7482)



ITEM	PART NO.	DESCRIPTION
1	2-4761	PULLEY, Idler, 5.25
2	9-0517	WASHER, 3/8 Flat (2)
3	9-0118	WASHER, 3/8 Split Lock (3)
4	7-6979	NUT, 3/8-16 Hex, Nyloc (2)
5	9-0590	BOLT, 3/8-16 x 3" Hex Head Cap, Grade 5
6	1-3946	RETAINER, 3/8"
7	1-6173	SPACER, Pivot
8	4-1009	WELDMENT. 48" Blade/Blade Deck Idler
9	7-6998	FITTING, Lube
10	1-6561	BUSHING
11	1-7161	ROD, 11.25"
12	9-1111	SCREW, 3/8-16 x 1 3/4" Hex Head Cap, Grade 8

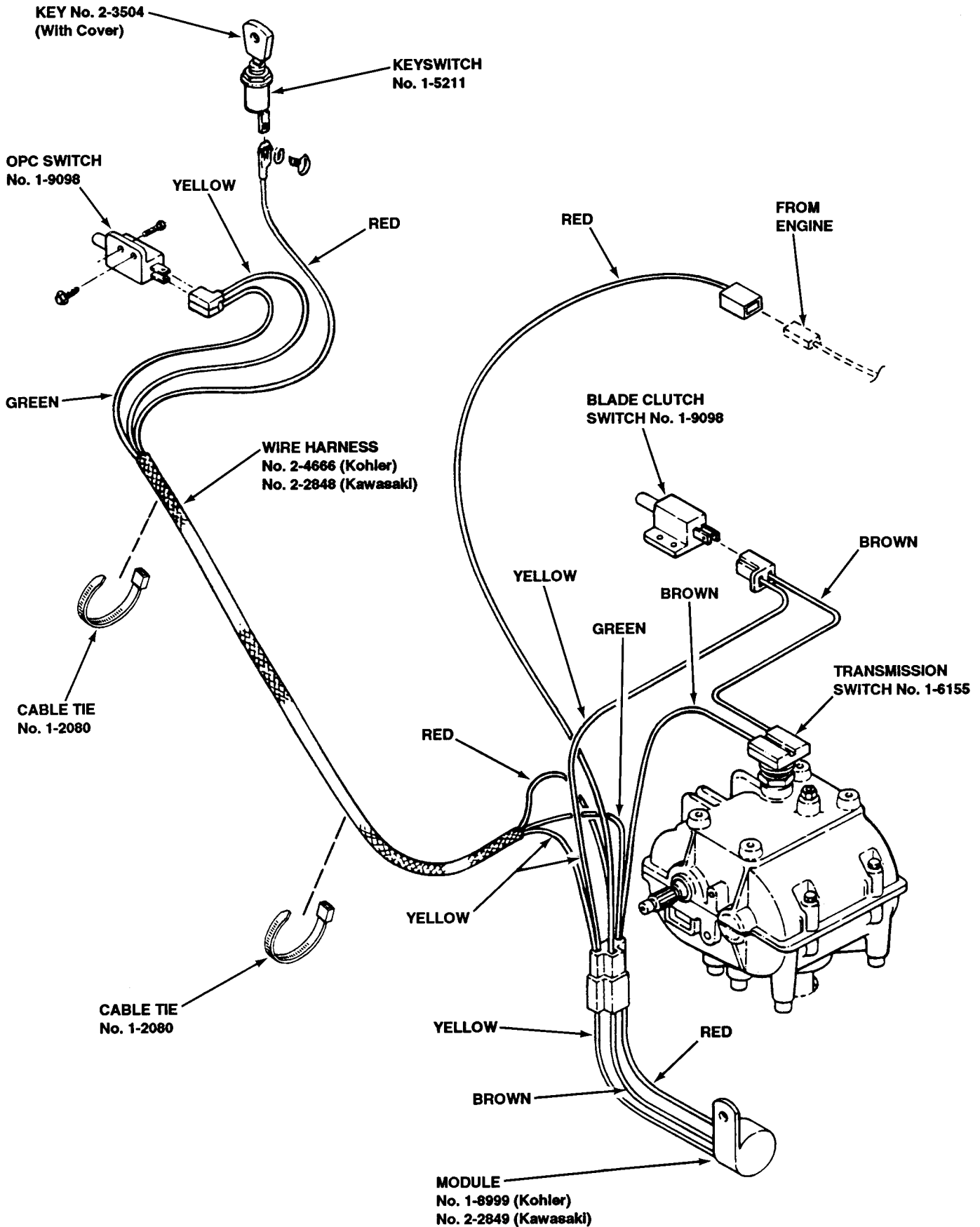


# CUTTER HOUSING ASSEMBLY

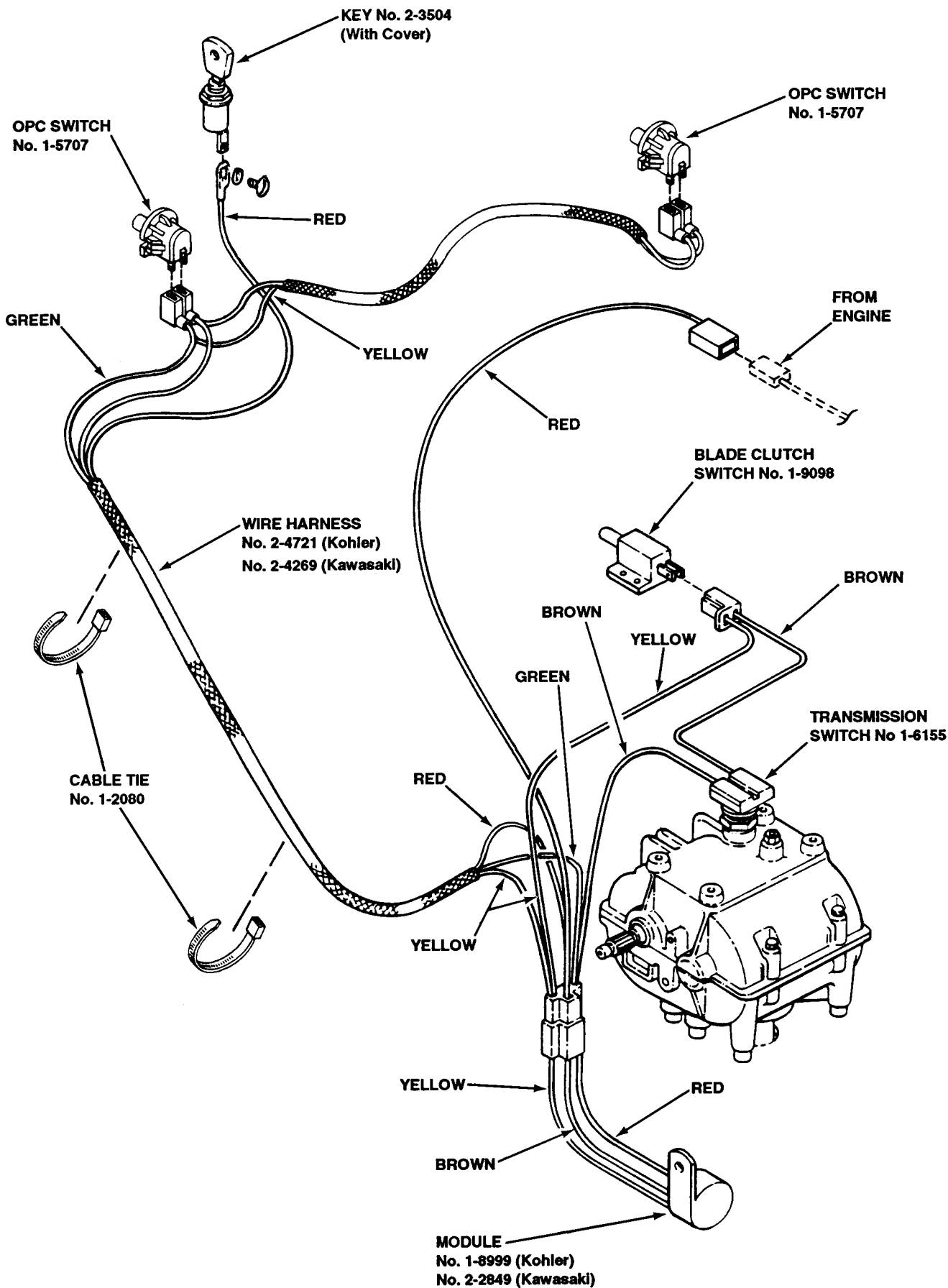


ITEM	PART NO.	DESCRIPTION
1	1-9125	BEARING, Sealed (2)
2	2-4348	WASHER, Spindle (2)
3	2-2453	SNAP-RING, Spindle Shaft (2)
4	2-2456	WASHER, Spindle Housing (2)
5	2-2454	SNAP-RING, Spindle Housing (2)
6	7-6436	SPACER, Blade (6)
7	1-7037	BLADE, 18", High Lift (Pro736)
-	1-7043	BLADE, 16 1/2", High Lift (Pro748)
8	1-6440	WASHER, Beveled
9	9-1136	BOLT, 5/8-18 x 9 3/4" Hex Head Cap, Grade 5
10	7-6997	FITTING, Lube
11	2-2187	HOUSING, Cutter
12	2-2186	SHAFT, Spindle
13	7-6980	NUT, 5/8-18 Hex

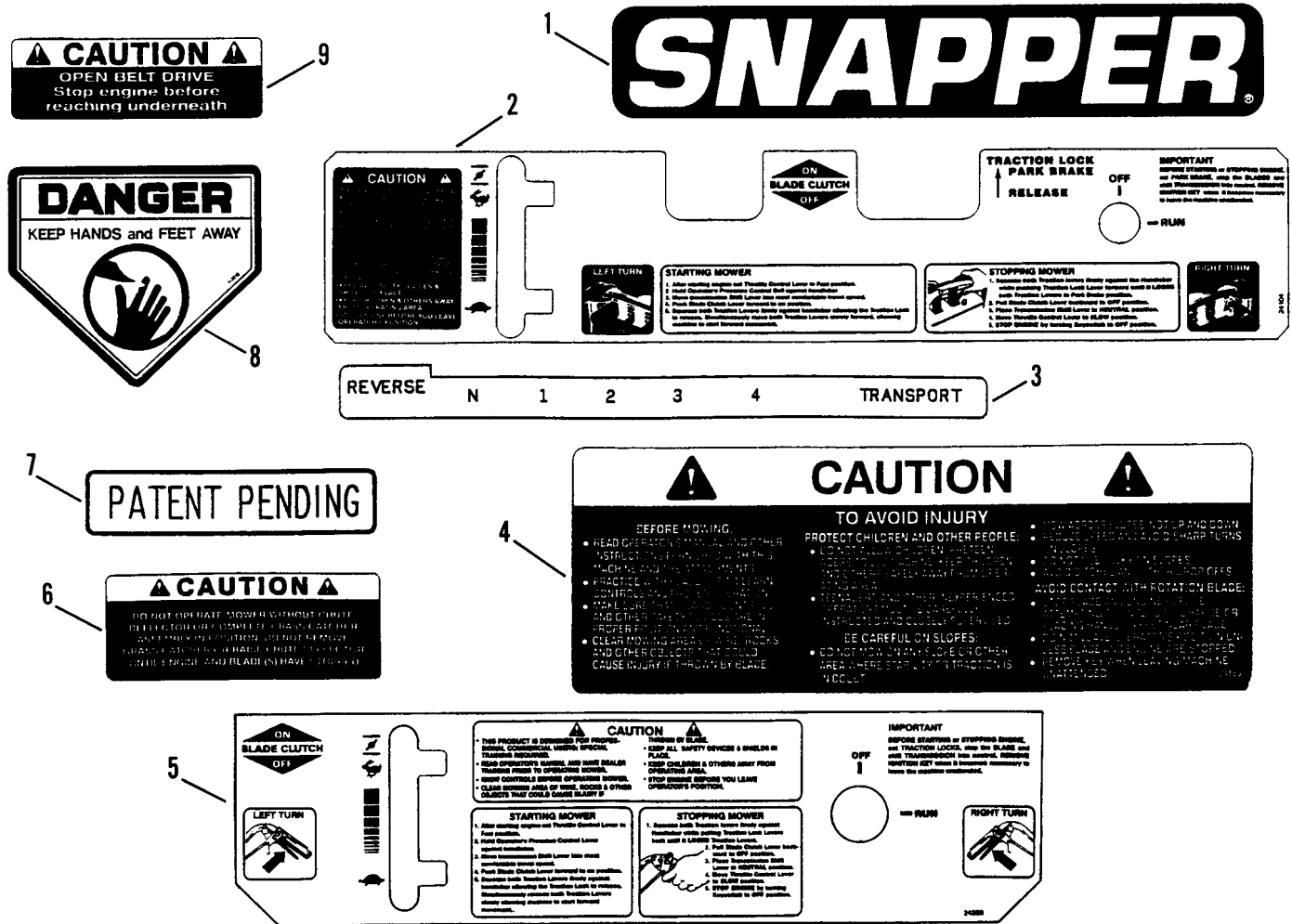
# ELECTRICAL COMPONENTS - LOOP HANDLE



# ELECTRICAL COMPONENTS - PISTOL GRIP HANDLE



# DECALS



ITEM	PART NO.	DESCRIPTION
-	6-1184	KIT, Decal, Loop Handle Models (Includes items 1, 2, 3, 4, 6, 7, 8, & 9)
-	6-1185	KIT, Decal, Pistol Grip Handle Models (Includes items 1, 3, 4, 5, 6, 7, 8, & 9)
1	2-4325	DECAL, SNAPPER (2)
2	2-4104	DECAL, Console (Loop Handle)
3	2-2333	DECAL, Shift Quadrant

ITEM	PART NO.	DESCRIPTION
4	2-4156	DECAL, CAUTION
5	2-4268	DECAL, Console (Pistol Grip Handle)
6	2-2522	DECAL, CAUTION
7	1-7150	DECAL, Patent Pending
8	1-3010	DECAL, WARNING
9	2-2889	DECAL, CAUTION

**SNAPPER**® McDonough, GA., 30253 U.S.A.