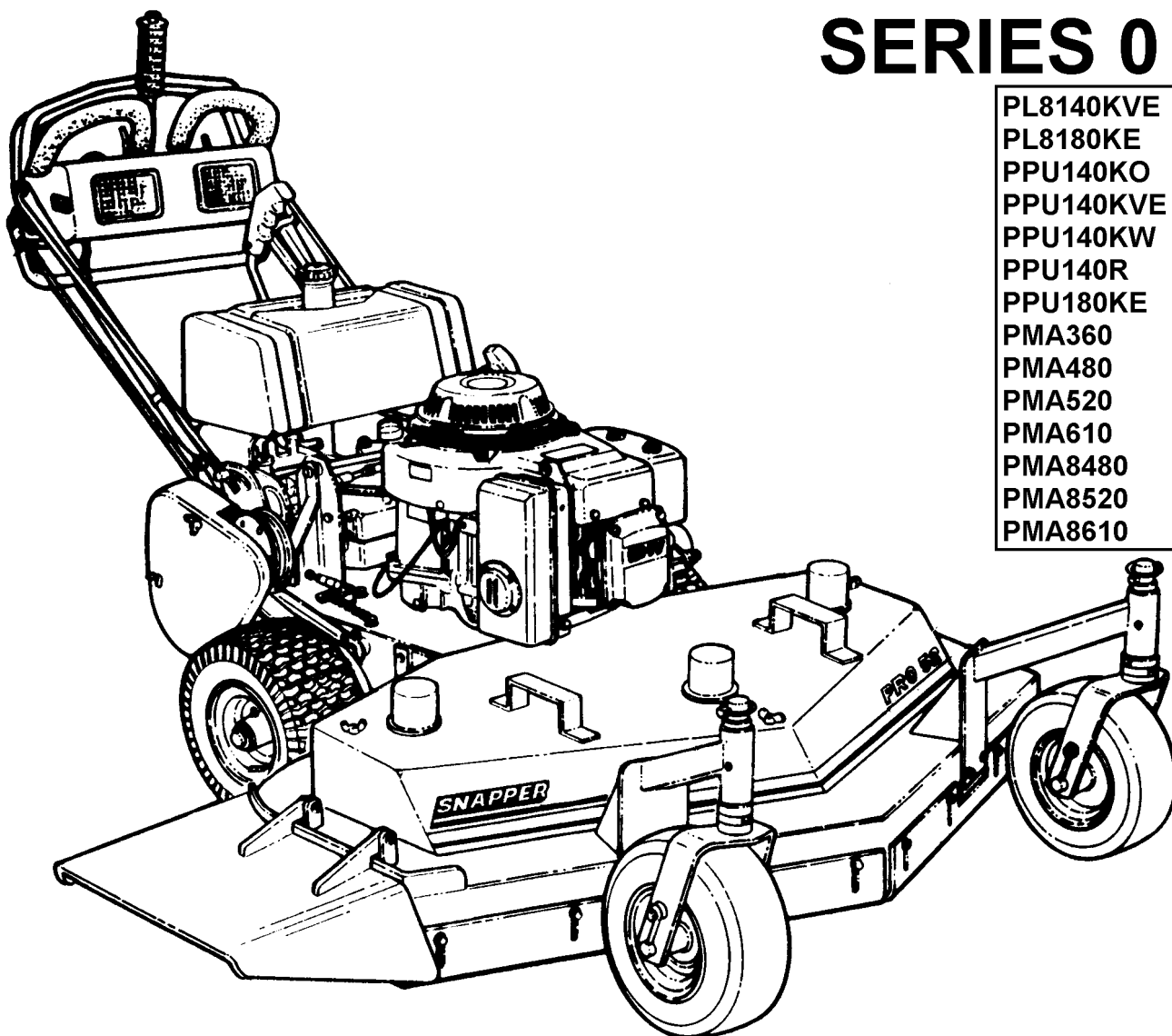


SNAPPER®

PRO 8 MID-SIZE MOWERS GEAR DRIVE SERIES 0

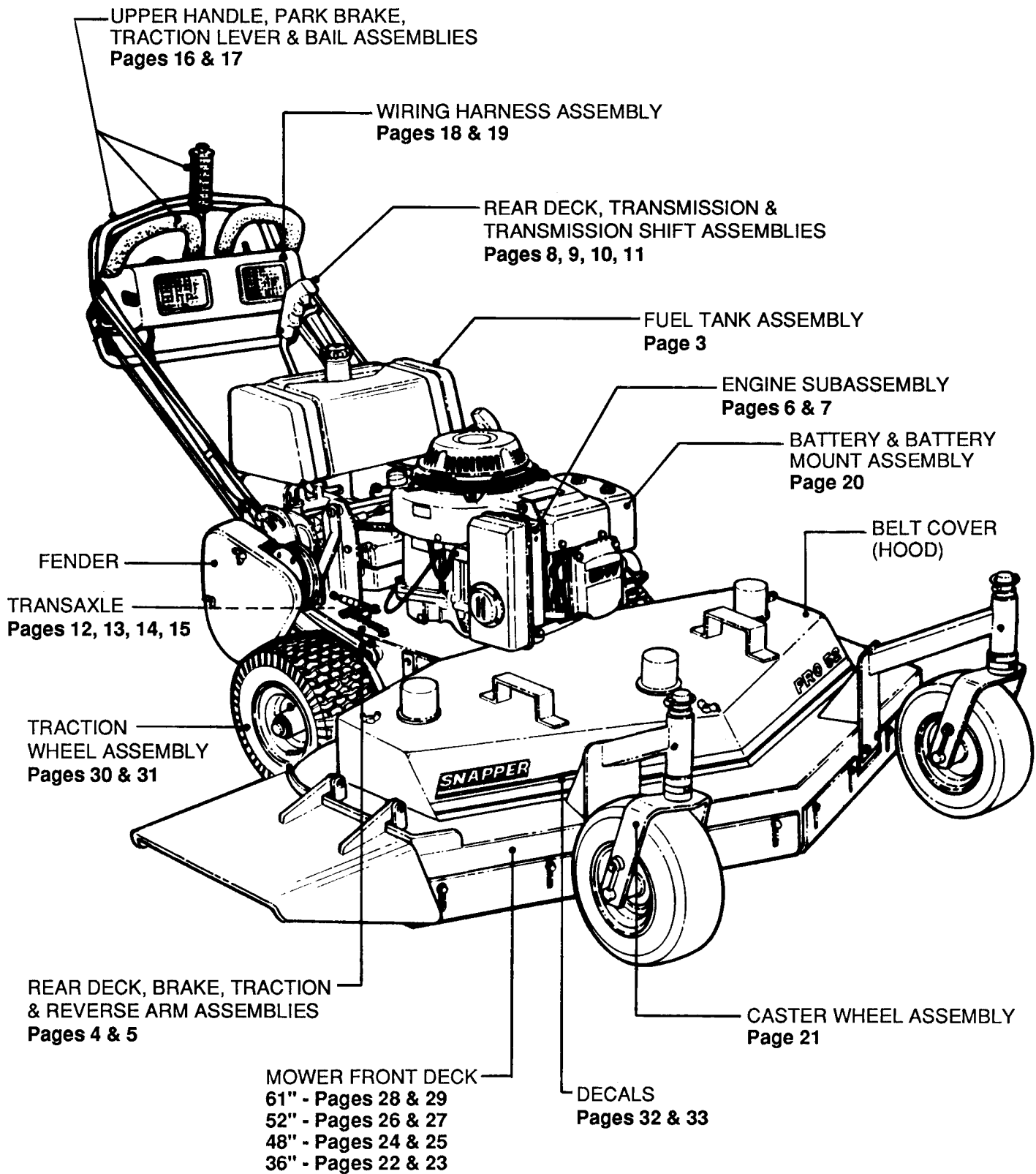


PL8140KVE
PL8180KE
PPU140KO
PPU140KVE
PPU140KW
PPU140R
PPU180KE
PMA360
PMA480
PMA520
PMA610
PMA8480
PMA8520
PMA8610

IT IS THE POLICY OF SNAPPER TO IMPROVE ITS PRODUCTS WHENEVER IT IS POSSIBLE AND PRACTICAL TO DO SO. WE RESERVE THE RIGHT TO MAKE CHANGES OR ADD IMPROVEMENTS AT ANY TIME WITHOUT INCURRING ANY OBLIGATION TO MAKE SUCH CHANGES ON PRODUCTS MANUFACTURED PREVIOUSLY.

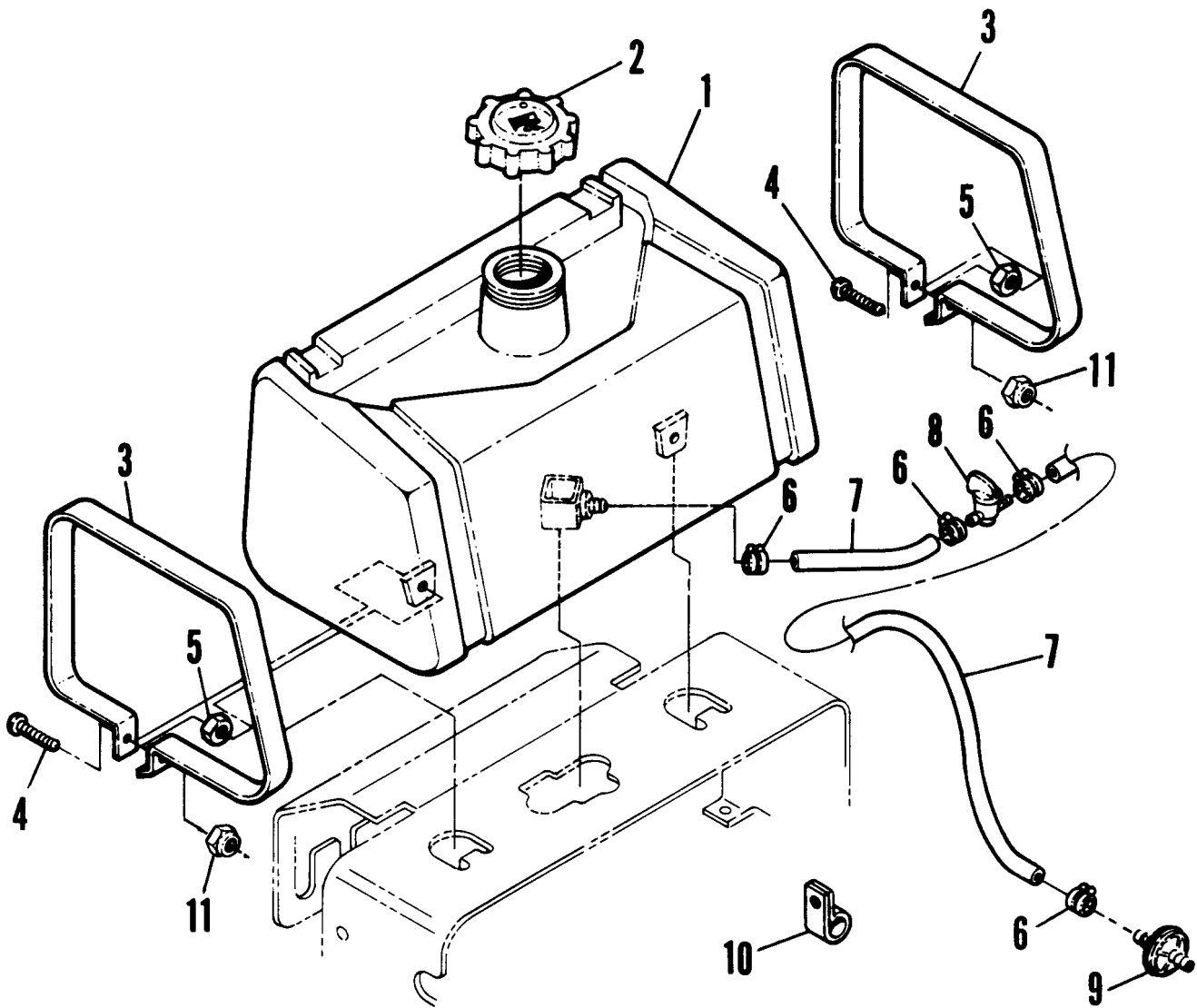
SNAPPER®McDonough, GA., 30253 U.S.A.

COMPONENTS LOCATION



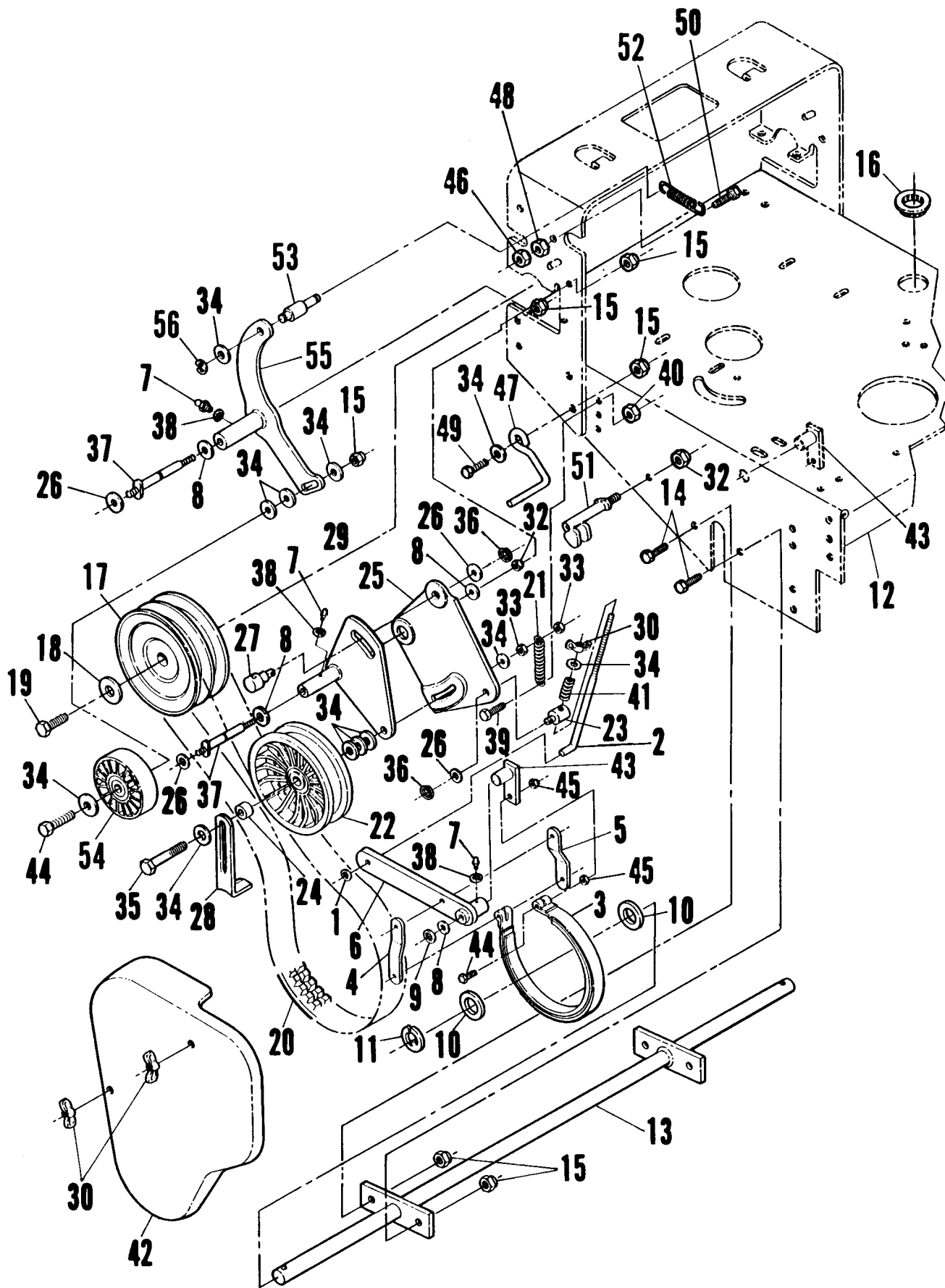
© Copyright 1990 by SNAPPER POWER EQUIPMENT. Printed in the United States of America. All rights reserved. Reproduction or use, without express permission, of editorial or pictorial content, in any manner, is prohibited.

FUEL TANK ASSEMBLY



ITEM	PART NO.	DESCRIPTION
1	1-9186	TANK, Fuel
2	1-4363	GAS CAP
3	3-2875	STRAP, Tank (2)
4	9-1052	SCREW, Machine Head Phillips, #10 - 24 x 2 (2)
5	9-1053	NUT, Keps #10 - 24 (2)
6	1-2222	HOSE CLAMP (6)
7	3-2956	FUEL LINE, 10" (18 HP)
-	7-7351	FUEL LINE, 3 1/2" (18 HP)
-	2-3479	FUEL LINE, 16" (18 HP)
-	3-2956	FUEL LINE, 10" (14 HP) (2)
-	3-2038	FUEL LINE, 5" (14 HP)
8	1-6325	FUEL SHUT-OFF VALVE
9	1-4359	FILTER, In-Line
10	1-4375	CLAMP
11	9-0594	NUT, #10 - 24 Lock (2)

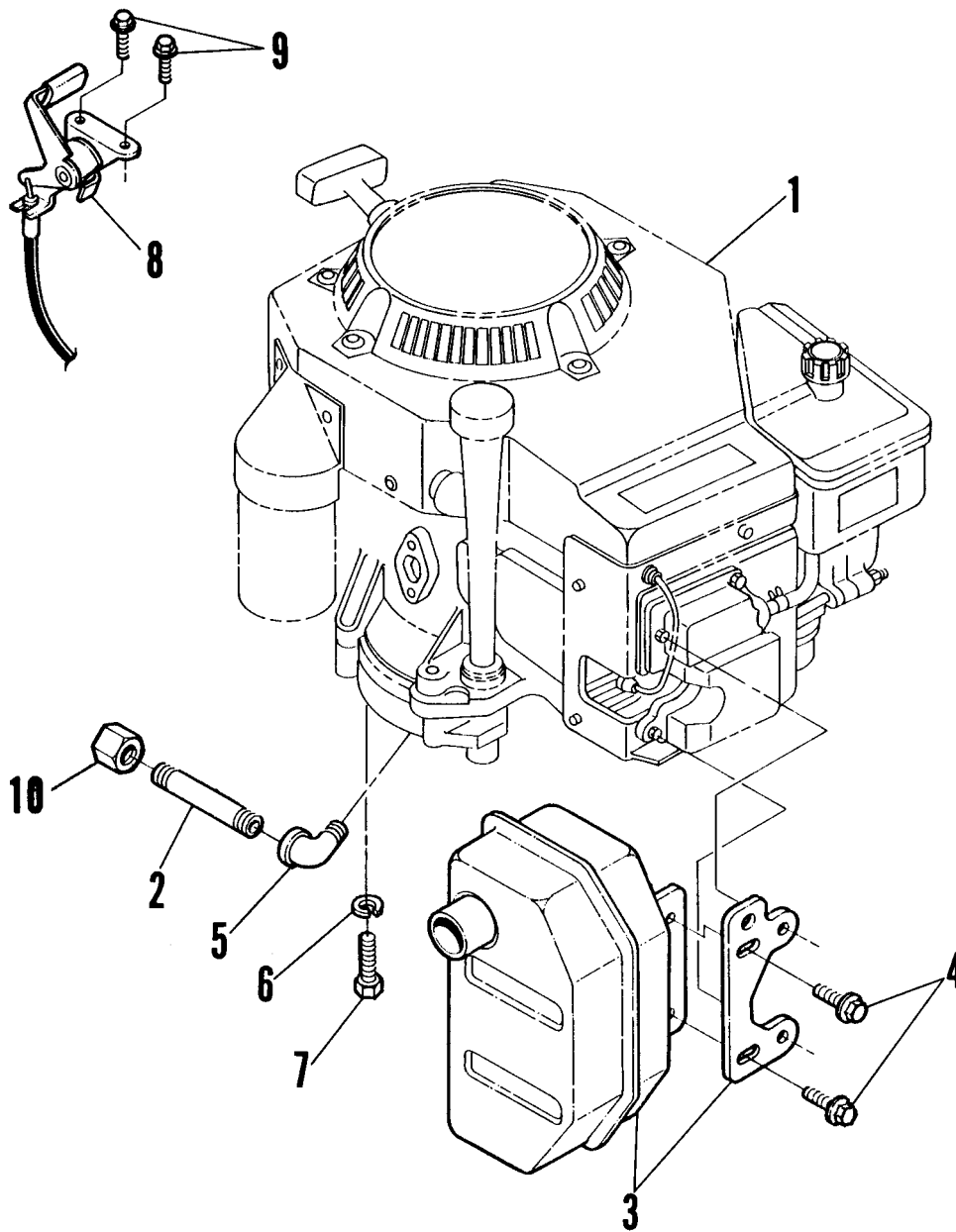
REAR DECK, BRAKE, TRACTION & REVERSE ARM ASSEMBLIES - 36,48,52 and 61



REAR DECK, BRAKE, TRACTION & REVERSE ARM ASSEMBLIES - 36,48,52 and 61

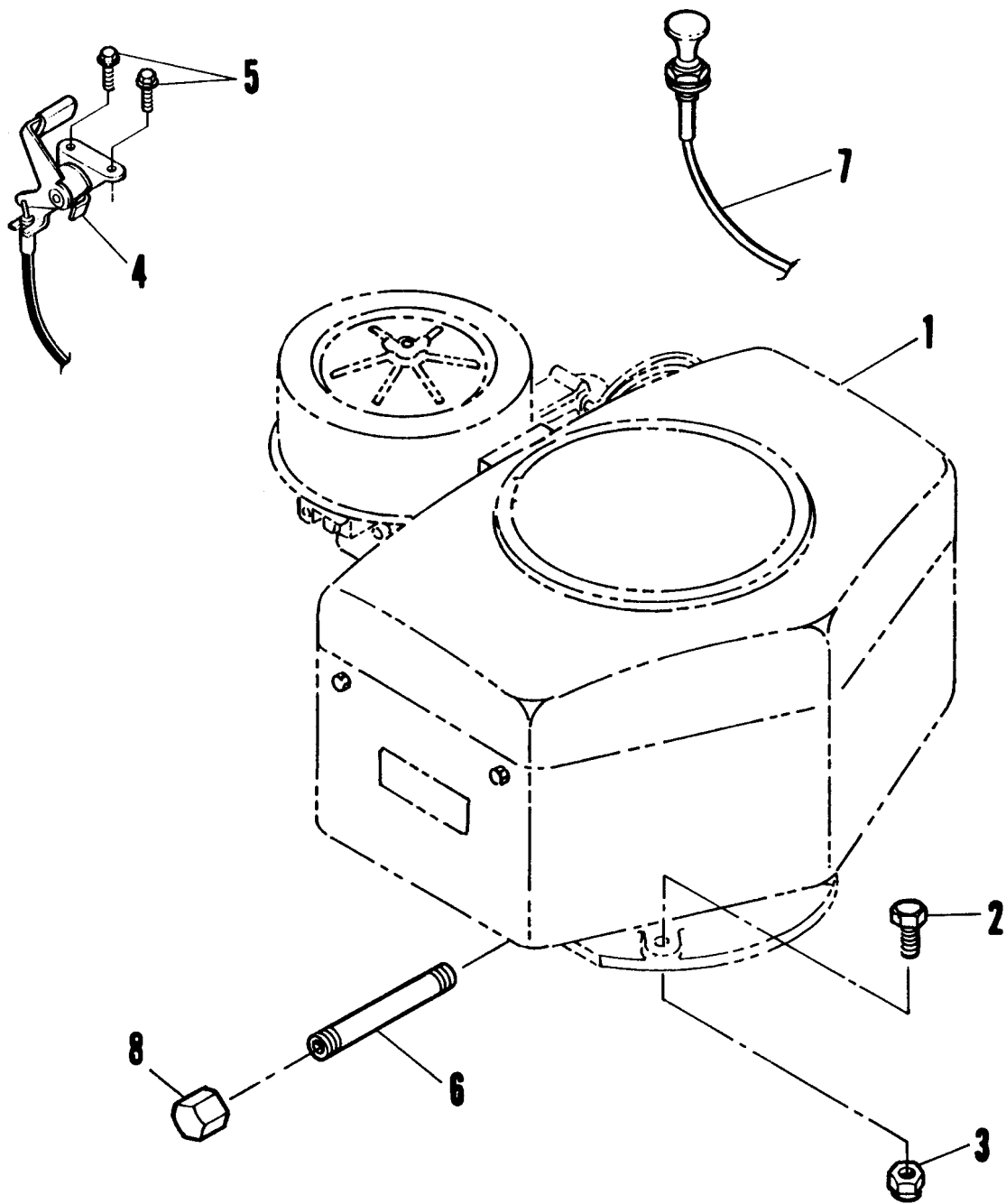
ITEM	PART NO.	DESCRIPTION
1	1-3946	WHEEL, Retainer, 3/8" (6)
2	1-6886	ROD, Brake (2)
3	1-7048	BAND, Brake, 6" (2)
4	3-2903	PLATE, Brake Link (2)
5	4-0622	LINK, Brake (2)
6	4-0634	LEVER, Brake, R.H.
--	4-0633	LEVER, Brake, L.H. (Not Shown)
7	7-6998	FITTING, Grease, 1/4-28 Straight (6)
8	9-1043	BUSHING, Machinery, 5/8" (12)
9	9-1040	RETAINER, 5/8" Bolt (2)
10	1-6561	BUSHING, Machinery, 1" (4)
11	1-2730	RING, 1" External Retaining (2)
12	4-0616	WELDMENT, Rear Deck (For Reference Only)
13	4-7952	WELDMENT, Axle
14	9-0563	SCREW, 3/8-16 x 1" Hex Head Cap, Grade 5 (4)
15	7-6979	NUT, 3/8-16 Hex Nyloc (12)
16	7-7882	SNAP BUSHING
17	1-9146	PULLEY, Output (2)
18	1-2063	WASHER, 3/8" Cone (2)
19	7-7748	SCREW, 3/8-24 x 3/4" Hex Head Cap, Grade 5 (2)
20	1-7053	BELT, Traction (2)
--	5-1967	ARM, Traction Assembly, R.H. (Incl. Items 21 thru 35)
21	1-6158	SPRING, Traction (2)
22	2-4239	PULLEY, Idler (2)
23	1-7780	SWIVEL, Brake Link (2)
24	2-2083	SPACER, Guide (2)
25	2-3652	ARM, Idler Bracket, R.H.
--	1-9177	ARM, Idler Bracket, L.H. (Not Shown)
26	9-0692	WASHER, 5/16" Flat (4)
27	1-7781	SWIVEL, Traction (2)
28	3-2868	GUIDE, Belt Forward (2)
29	4-0619	ARM, Traction, R.H.
--	4-0618	ARM, Traction, L.H. (Not Shown)
30	9-1049	WING NUT, 3/8-16 Nyloc (6)
31	9-0118	WASHER, 3/8" Split Lock (2)
32	9-0289	NUT, 3/8-24 Hex Center Lock (6)
33	9-0499	NUT, 3/8-16 Hex Top Lock (4)
34	9-0517	WASHER, 3/8" Flat (22)
35	9-1119	SCREW, 3/8-16 x 3-1/2" Hex Head Cap, Grade 5 (2)
36	1-6459	RETAINER, Ring (4)
37	2-3664	STUD, Fender Mt. (4)
38	9-0053	WASHER, 1/4" Internal Tooth Lock (6)
39	1-6562	SHOULDER BOLT, 5/16-18 (2)
40	9-0717	NUT, 5/16-18 Hex Nyloc (2)
41	1-7108	SPRING, Bracket Link (2)
42	1-6164	FENDER, R.H.
--	1-6165	FENDER, L.H. (Not Shown)
43	4-0711	WELDMENT, Brake Stud (2)
44	9-0588	BOLT, 3/8-16 x 2" Hex Head, Grade 5 (4)
45	9-0130	NUT, 3/8-16 Hex (2)
46	9-0372	NUT, 1/4-20 Hex Center Lock, Grade B or 5 (2)
47	1-9288	BELT GUIDE, Traction (2)
48	9-0063	NUT, 1/4-20 Hex (2)
49	9-0587	BOLT, 3/8-16 x 1-1/4" Hex, Grade 5 (2)
50	9-0548	SCREW, 1/4-20 x 1" Hex Head Cap, Grade 5 (2)
51	4-0627	SCRAPER, Wheel (2)
52	7-7250	SPRING (2)
53	1-6170	SWIVEL, Reverse (2)
54	1-9225	PULLEY, Idler (2)
55	4-0621	ARM, Reverse, R.H.
--	4-0620	ARM, Reverse, L.H. (Not Shown)
56	9-0870	RING, 3/8" External Retaining (2)

14 HP ENGINE SUBASSEMBLY



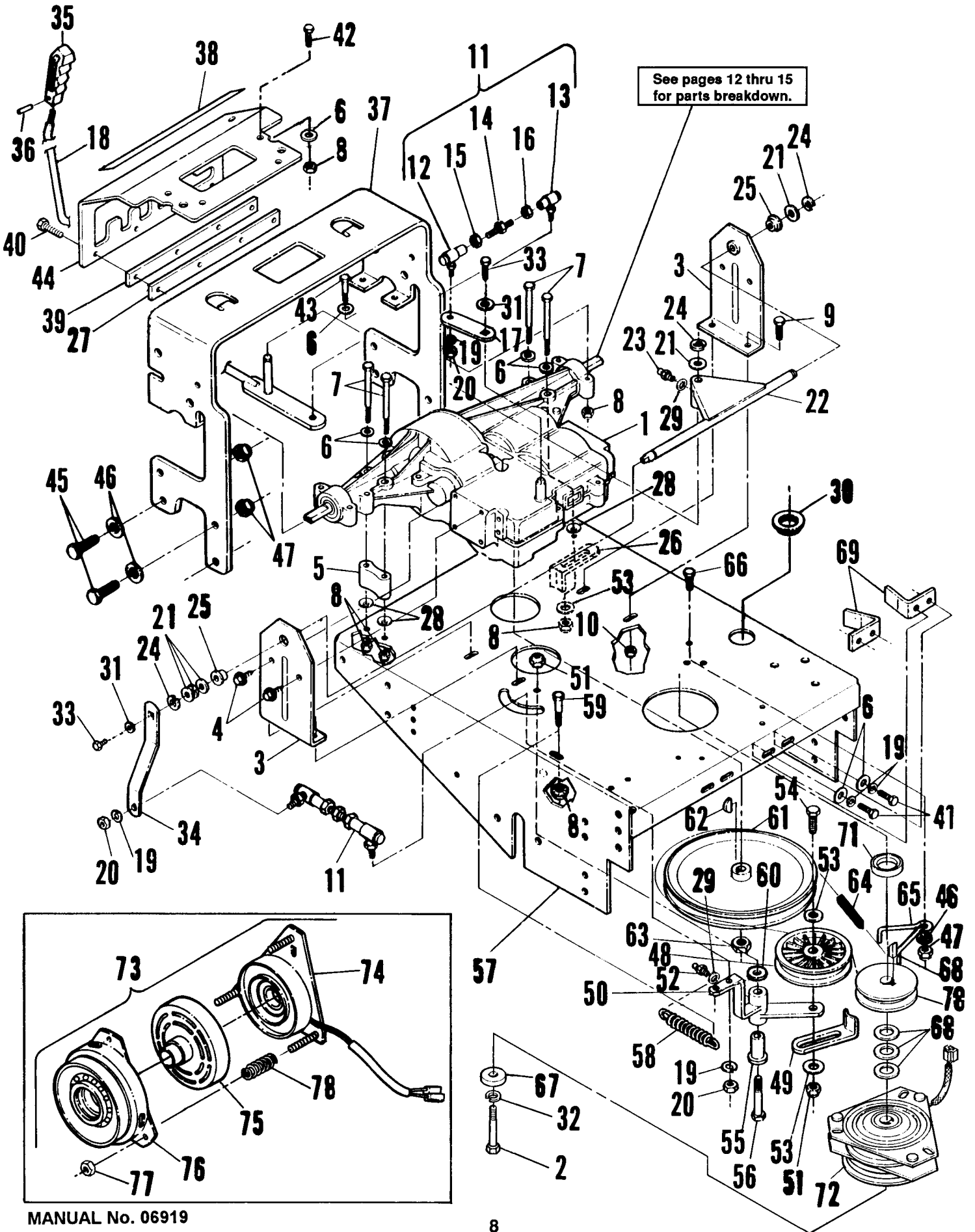
ITEM	PART NO.	DESCRIPTION
1	1-6901	ENGINE, 14 H.P. Kohler
2	1-7143	PIPE, Oil Drain
3	1-7163	MUFFLER GROUP, 14 H.P. Kohler
4	9-1113	SCREW, M6 x 16mm Hex Cap (2)
5	1-7420	ELBOW, 3/8" Street 90°
6	9-0187	WASHER, 5/16" Lock (4)
7	7-7692	BOLT, M8 1.25 x .25, Tap, Gr. 5 (4)
8	1-6373	CONTROL, Throttle
9	9-0307	SCREW, #10 C x 1/2, Hex, Self-Tapping (2)
10	1-7814	CAP, Oil Drain

18 HP ENGINE SUBASSEMBLY



ITEM	PART NO.	DESCRIPTION
1	1-6478	ENGINE, 18 H.P. Kohler
2	9-1066	SCREW, 5/16 C x 1 1/2, Hex Cap, Gr. 5 (4)
3	9-0717	NUT, 5/16 - 18 Lock (4)
4	1-6510	THROTTLE, 18 H.P. Kohler
5	9-0307	SCREW, HWST #10 x 1/2 (2)
6	1-7783	TUBE, Oil Drain
7	1-6511	CHOKE ASSEMBLY
8	1-7814	CAP, Oil Drain

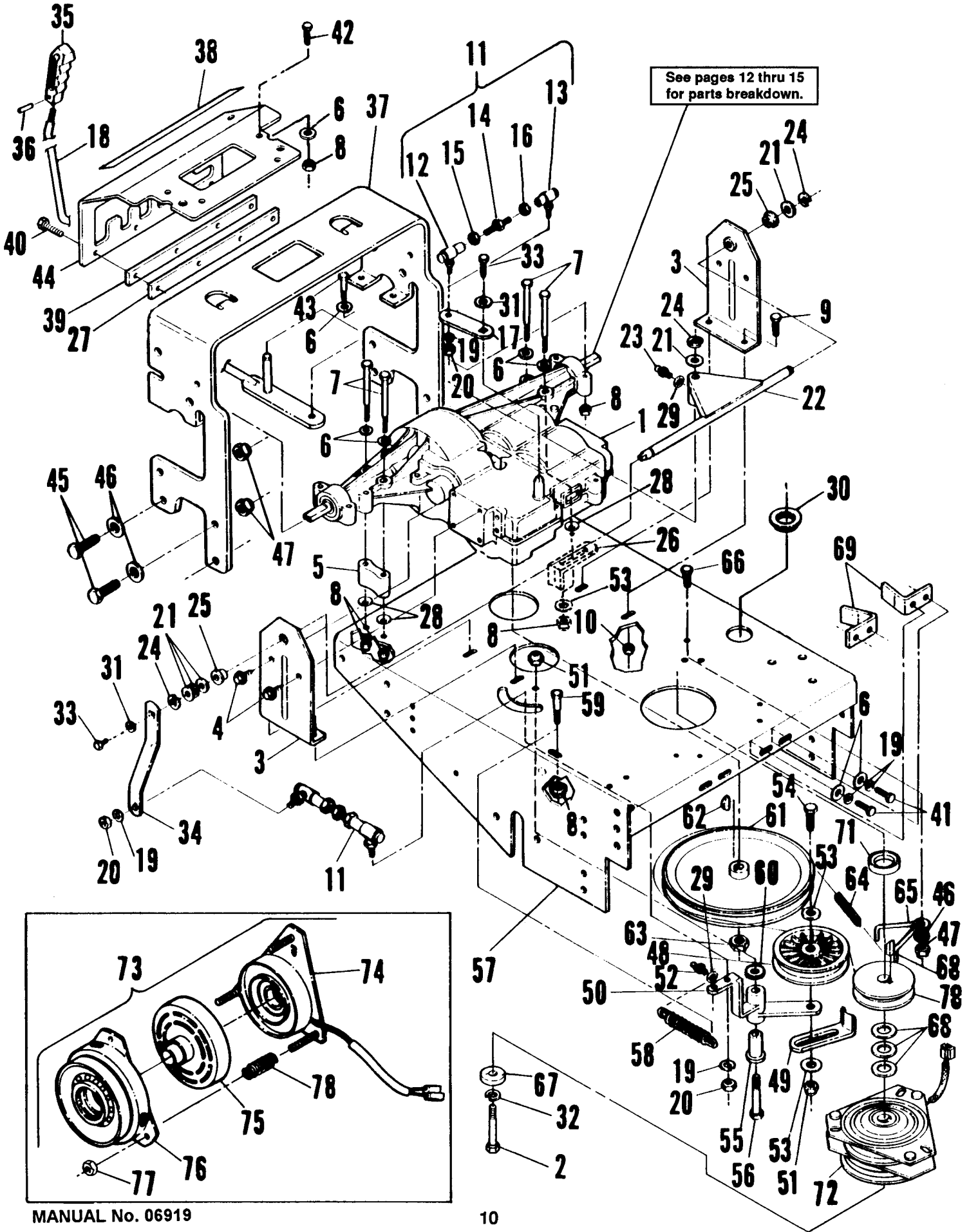
REAR DECK, TRANSMISSION & TRANSMISSION SHIFT ASSEMBLIES - 36,48,52 and 61



REAR DECK, TRANSMISSION & TRANSMISSION SHIFT ASSEMBLIES- 36,48,52 and 61

ITEM	PART NO.	DESCRIPTION
1	1-7049	TRANSMISSION
2	9-1029	SCREW, M10- 1.5 x 55 Hex Head Cap
--	9-1028	SCREW, 7/16-20 x 2-1/4" Hex Head Cap, Grade 5
3	1-9187	MOUNT, Shift Pivot (2)
4	9-0362	SCREW, 1/4-20 x 5/8" Hex Washer Self-Tap (4)
5	1-9147	SPACER, Transmission (2)
6	9-0692	WASHER, 5/16" Flat (16)
7	9-0145	SCREW, 5/16-18 x 5" Hex Head Cap, Grade 5 (4)
8	9-0717	NUT, 5/16-18 Nyloc (17)
9	9-0072	SCREW, 1/4-20 x 5/8" Hex Head Cap, Grade 5 (4)
10	7-6978	NUT, 1/4-20 Hex Nyloc (4)
11	5-7587	ASSEMBLY, Linkage (Incl. Items 12 thru 16) (2)
12	1-6319	BALL JOINT, 5/16" F, R.H.
13	1-6320	BALL JOINT, 5/16" F, L.H.
14	1-6321	TURNBUCKLE, 5/16" F
15	7-7697	NUT, 5/16-24 Hex Jam
16	9-1073	NUT, 5/16-24 Hex Jam L.H.
17	2-3789	ARM, Transmission Shift
18	4-0624	HANDLE, Shift
19	9-0187	WASHER, 5/16" Split Lock (8)
20	9-0223	NUT, 5/16-24 Hex (4)
21	9-1030	BUSHING, Machinery, 1/2" (5)
22	4-0626	PIVOT, Transmission Shift
23	7-6998	FITTING, 1/4-28 Straight, Grease
24	1-4341	RING, External Retaining (3)
25	1-1016	BEARING, Nylon (3)
26	3-2874	BELT GUIDE
27	1-7765	STRIP, Rubber
28	1-1791	RETAINER, 5/16" Bolt (4)
29	9-0053	WASHER, 1/4" Internal Tooth Lock
30	7-7882	BUSHING, Snap
31	9-1102	WASHER, 1/4" Bellville
32	9-0247	WASHER, 7/16" Split Lock
33	9-0100	SCREW, 1/4-28 x 5/8" Hex Head Cap, Grade 5 (2)
34	3-8452	ARM, Clutch
35	1-9376	BALL, Knob
36	9-0844	PIN, 3/16" x 3/4" Roll
37	1-6985	BRACKET, Tank
38	1-6183	DECAL, Shift
39	1-6296	STRIP, Quadrant
40	9-0853	SCREW, #10-24 x 1/2" Hex Washer Self-Tap (4)
41	7-6934	SCREW, 5/16-18 x 3/4" Hex Head Cap, Grade 5 (4)
42	9-0383	BOLT, 5/16-18 x 1" Short Neck Carriage, Grade 5 (4)
43	9-1046	SCREW, 5/16-18 x 2-1/2" Hex Head Cap, Grade 5 (4)

REAR DECK, TRANSMISSION & TRANSMISSION SHIFT ASSEMBLIES - 36,48,52 and 61 (continued)

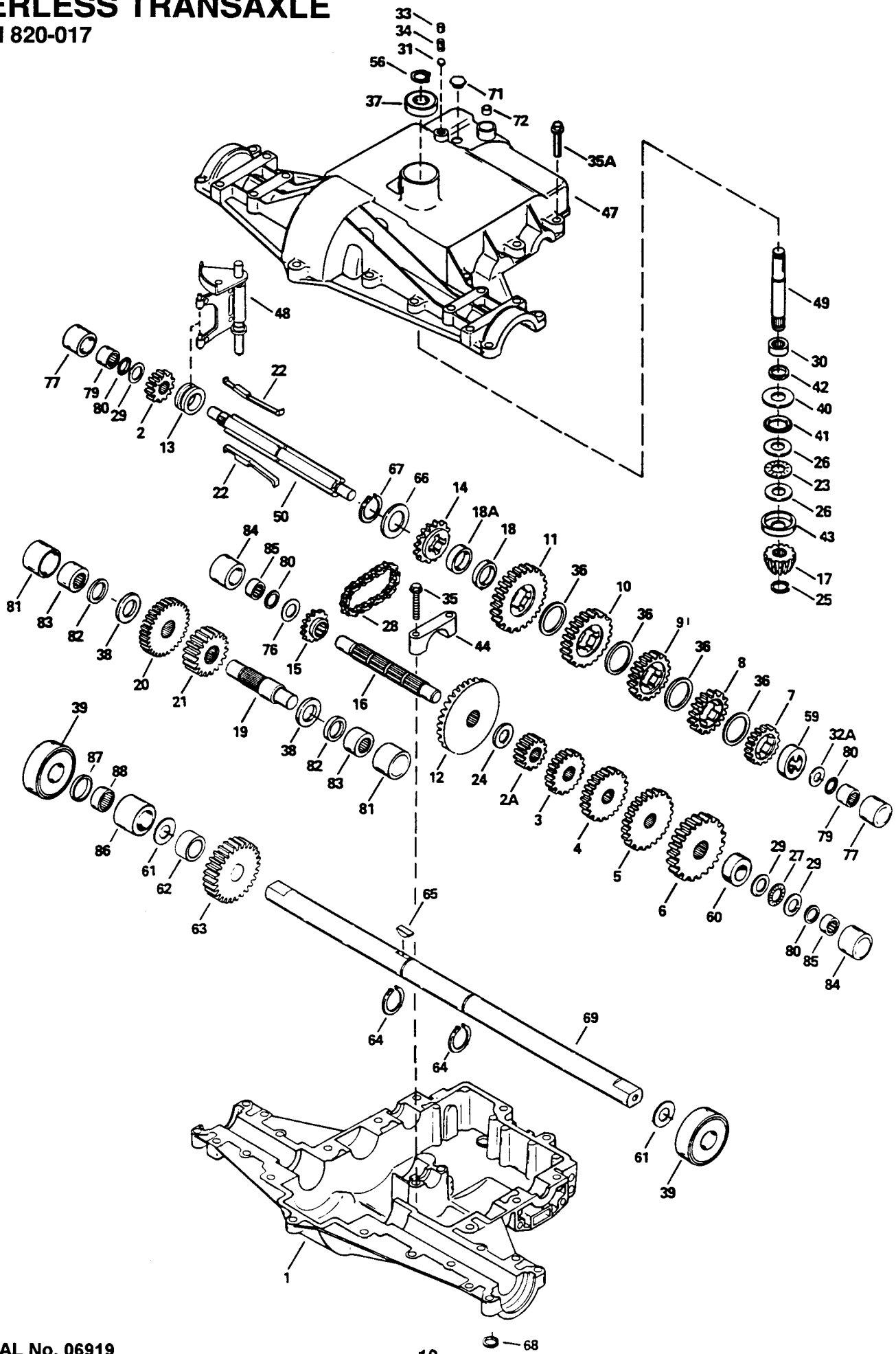


REAR DECK, TRANSMISSION & TRANSMISSION SHIFT ASSEMBLIES- 36,48,52 and 61 (continued)

ITEM	PART NO.	DESCRIPTION
44	1-6986	QUADRANT, Shift
45	9-0563	SCREW, 3/8-16 x 1" Hex Head Cap, Grade 5 (4)
46	9-0517	WASHER, 3/8" Flat (5)
47	7-6979	NUT, 3/8-16 Hex Nyloc (6)
--	5-1972	IDLER, Transmission Asy (Incl. Items 48 thru 54)
48	1-6157	PULLEY, Idler
49	3-2868	BELT GUIDE, Idler
50	4-0625	IDLER, Transmission
51	7-6979	NUT, 3/8-16 Hex Nyloc
52	7-6998	FITTING, 1/4" Straight Lube
53	9-0517	WASHER, 3/8" Flat (3)
54	9-0588	BOLT, 3/8-16 x 2" Hex Head, Grade 5
55	1-7163	SPACER, Pivot
56	9-1044	SCREW, 3/8-16 x 3-1/4" Hex Head Cap, Grade 5
57	4-0616	DECK, Rear
58	1-6159	SPRING, Transmission
59	1-6562	BOLT, 5/16-18 Shoulder
60	1-6561	BUSHING, Machinery, 1" (2)
61	1-9164	PULLEY, Transmission
62	7-6992	KEY, Woodruff, #61/605
63	9-0356	NUT, 5/8-18 Hex Center Lock Jam
64	1-9132	BELT, Transmission
65	3-1964	BELT GUIDE
66	9-0603	TAP BOLT, 3/8-16 x 7/8"
67	1-6147	SPACER, LT 16
68	1-9188	KEY, 1/4" Square
69	3-2873	STOP, Clutch (2)
70	1-9148	PULLEY, Engine/Transmission
71	1-7782	SPACER, Clutch
72	1-7063	CLUTCH, Electric
73	1-7063	KIT, Electric Clutch (Incl. Items 74 thru 78)
74	1-6254	FIELD COIL (Includes ball Bearing)
75	1-6255	ROTOR
76	1-6256	ASSEMBLY, Arm-Pulley (Includes Ball Bearing)
77	9-0854	NUT, 3/8-24 Hex Nyloc (3)
78	1-4950	COIL SPRING (3)

PEERLESS TRANSAXLE

Model 820-017



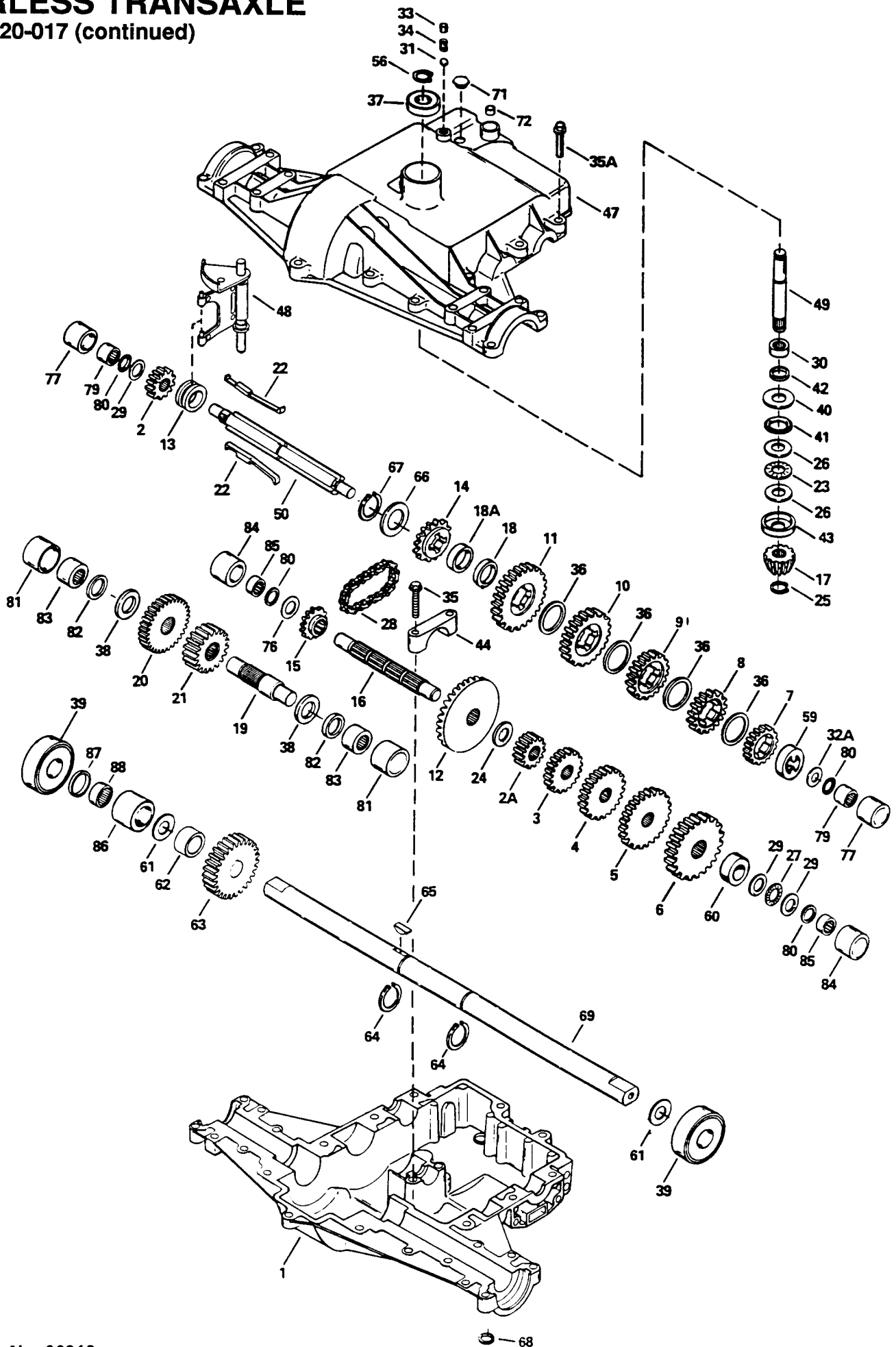
PEERLESS TRANSAXLE

Model 820-017

ITEM NO.	PEERLESS PART NO.	DESCRIPTION
1	770103	CASE, Transaxle
2	778275	GEAR, Spur (19 Teeth)
2A	778199	GEAR, Spur (15 Teeth)
3	778257	GEAR, Spur (23 Teeth)
4	778201	GEAR, Spur (25 Teeth)
5	778202	GEAR, Spur (28 Teeth)
6	778208	GEAR, Spur (31 Teeth)
7	778209	GEAR, Spur (19 Teeth)
8	778203A	GEAR, Spur (22 Teeth)
9	778204A	GEAR, Spur (25 Teeth)
10	778256A	GEAR, Spur (27 Teeth)
11	778206A	GEAR, Spur (35 Teeth)
12	778246	GEAR, Bevel (33 Teeth)
13	784352	COLLAR, Shift
14	786123	SPROCKET (18 Teeth)
15	786082	SPROCKET (9 Teeth)
16	776276	SHAFT, Counter
17	778245	BEVEL PINION, Input (13 Teeth)
18	786121	SPACER, Neutral (.350/.340 Thick)
18A	786122	SPACER, Neutral (.276/.268 Thick)
19	776318	SHAFT, Output
20	778276	GEAR, Output (31 Teeth)
21	778273	GEAR, Spur (19 Teeth)
22	792136	KEY (4)
23	780084	BEARING, Thrust
24	780051	WASHER, Thrust
25	788040	RING, Retaining
26	780051	WASHER, Thrust (2)
27	780071	BEARING, Thrust
28	786081	CHAIN, Roller (No. 41 Chain, 24 Links)
29	780072	WASHER, Thrust (3)
30	780155	BEARING, Needle
31	792077	BALL, Steel
32A	780109	WASHER, Thrust
33	792078	SCREW, Set, 3/8-16 x 3/8
34	792079	SPRING
35	792073	SCREW, Flanged Hex Hd. Threadforming, 1/4-20 x 1-1/4 (2)
35A	792129	SCREW, Hex Hd. Threadforming, 5/16 - 18 x 1-1/4 (17)
36	780108	WASHER, Thrust (4)
37	780119	BEARING, Ball
38	780128	WASHER, Thrust (2)
39	780050	BEARING, Ball (2)
40	780165	WASHER, Flat
41	788077	"O" Ring
42	788042	SEAL, Oil
43	780166	WASHER, Cupped
44	786131	CAP, Bearing
47	772097A	COVER, Transaxle

PEERLESS TRANSAXLE

Model 820-017 (continued)

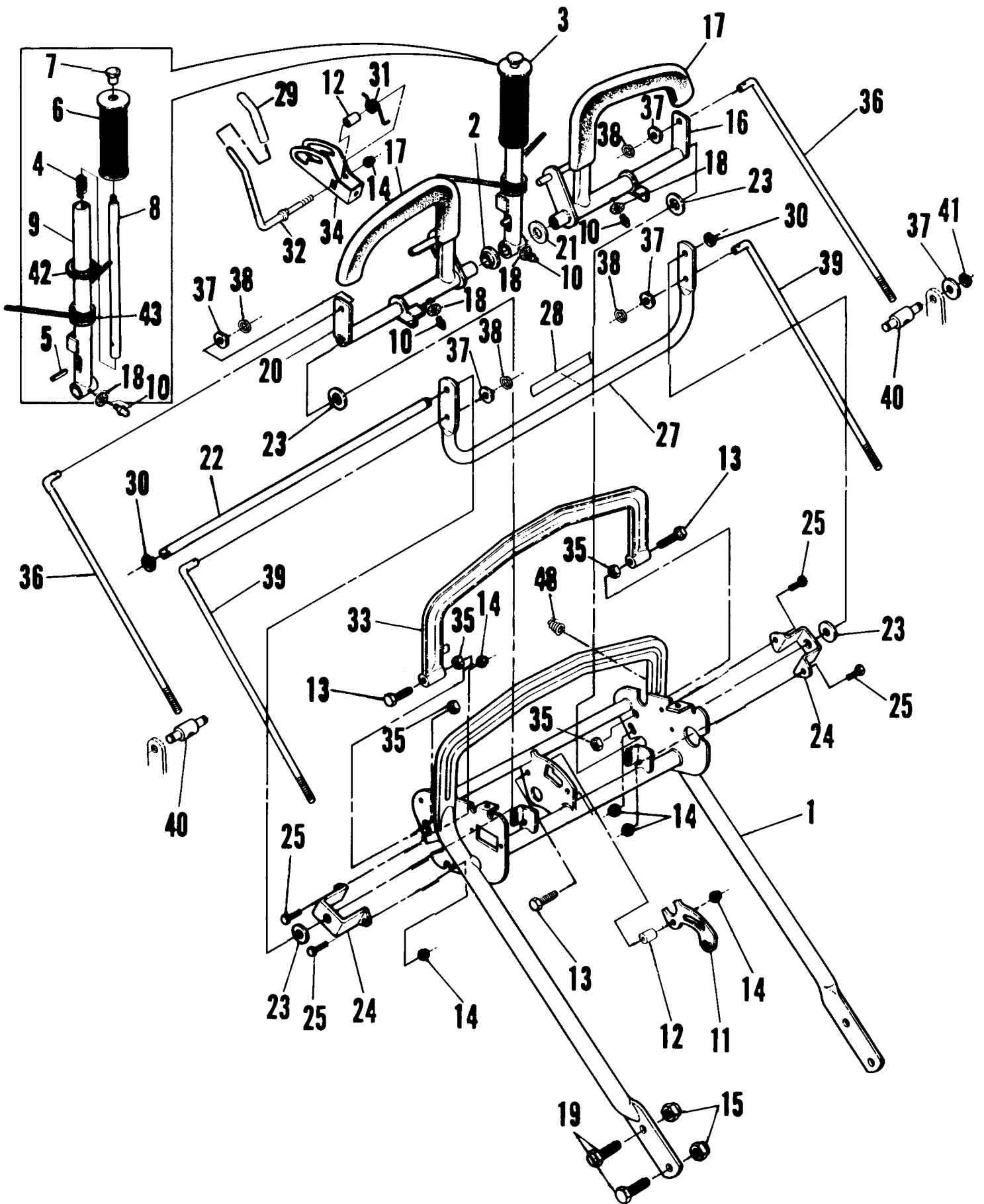


PEERLESS TRANSAXLE

Model 820-017 (continued)

ITEM NO.	PEERLESS PART NO.	DESCRIPTION
48	784359	ROD & FORK ASSY., Shift
49	776316	SHAFT, Input
50	776317	SHAFT, Brake
56	792018	RING, Snap
59	786072	SPACER
60	786071	SPACER
61	780045	WASHER, Thrust (2)
62	786148	SPACER
63	778274	GEAR, Spur (27 Teeth)
64	792113	RING, Retaining (2)
65	792114	KEY, Woodruff
66	780090	WASHER, Thrust
67	788075	RING, Retaining
68	788072	SEAL, Rubber
69	774892	AXLE (22-5/8" Long)
71	792074	PLUG, Hex Hd., 9/16-18 Thread
72	792140	PLUG, Expansion
76	780153	WASHER
77	786129	SLEEVE (2)
79	780152	BEARING, Needle (Capped) (2)
80	792001	"O" RING (4)
81	786142	SLEEVE (Stepped) (2)
82	788071	RING, Square Cut (2)
83	780049	BEARING, Needle (Capped) (2)
84	786128	SLEEVE (2)
85	780151	BEARING, Needle (Capped) (2)
86	786145	SLEEVE (Stepped)
87	788070	RING, Square Cut
88	780002	BUSHING

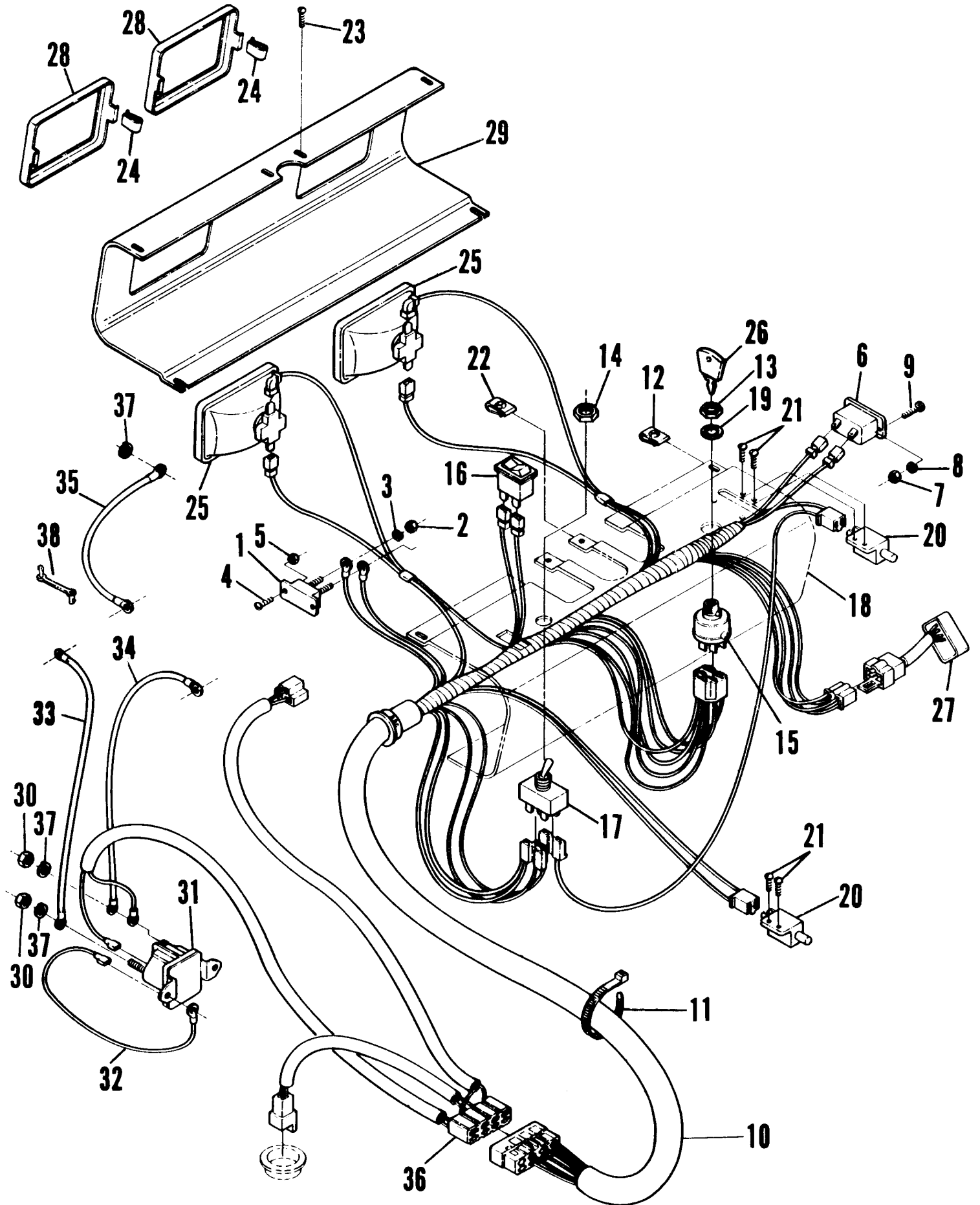
UPPER HANDLE, PARK BRAKE, TRACTION LEVER & BAIL ASSEMBLIES



UPPER HANDLE, PARK BRAKE, TRACTION LEVER & BAIL ASSEMBLIES

ITEM	PART NO.	DESCRIPTION
1	4-0617	HANDLE, Top
2	2-3670	BUSHING, Brake Lever
3	5-9782	LEVER, Park Assembly (Includes Items 4 thru 10)
4	1-6961	SPRING
5	1-6837	PIN, .19 x 1.13 Gr.
6	1-6161	GRIP, Park Brake
7	1-6208	KNOB, Brake Release
8	2-7705	RELEASE, Brake
9	4-9801	LEVER, Brake
10	7-6998	ZERK, 1/4" - 28, Straight (3)
11	3-3285	BRACKET, Brake Lever
12	1-6209	SPACER, Park Brake (2)
13	9-0639	BOLT, 1/4" - 20 x 1 1/2, Gr. 5, Hex (3)
14	7-6978	NUT, 1/4" C, Nylon Lock (6)
15	7-6979	NUT, 3/8" - 16 Hex Nylon Ring (4)
16	4-9802	LEVER, Traction, Left
17	1-6210	GRIP, Traction (2)
18	9-0053	WASHER, 1/4" Int. Tooth (3)
19	9-0563	SCREW, 3/8" - 16 x 1" Hex Head Cap Gr. 5 (4)
20	4-9803	LEVER, Traction, Right
21	9-1050	BUSHING, Machinery, 3/4"
22	2-7708	ROD, Pivot
23	9-1030	BUSHING, Machinery, 1/2" (6)
24	3-8448	BRACKET, Pivot (2)
25	9-0072	SCREW, 1/4" C x 5/8, Gr. 5, Hex Cap (4)
26	1-7154	SPRING
27	5-9779	BAIL, Reverse (Includes Item 28)
28	1-6212	DECAL, Reverse Bail
29	1-1879	GRIP
30	1-4341	RETAINING RING (2)
31	1-7323	SPRING, Neutral
32	1-7322	LEVER, Neutral
33	1-7162	BAIL, OPC
34	3-3146	LATCH, Neutral
35	9-1112	NUT, 1/4 - 20 Hex Jam (4)
36	1-6229	ROD, Traction (2)
37	9-0517	FLATWASHER, 3/8" (6)
38	1-6459	RETAINER (4)
39	1-6230	ROD, Reverse Traction (2)
40	1-6170	SWIVEL, Reverse (2)
41	9-0870	RETAINING RING (2)
42	1-7768	RETAINER, 3/4
43	1-7155	SPRING, Park Brake
44	3-3146	LATCH, Neutral
45	1-7322	LEVER, Neutral
46	1-7323	SPRING, Neutral
47	1-1879	GRIP
48	1-7154	SPRING

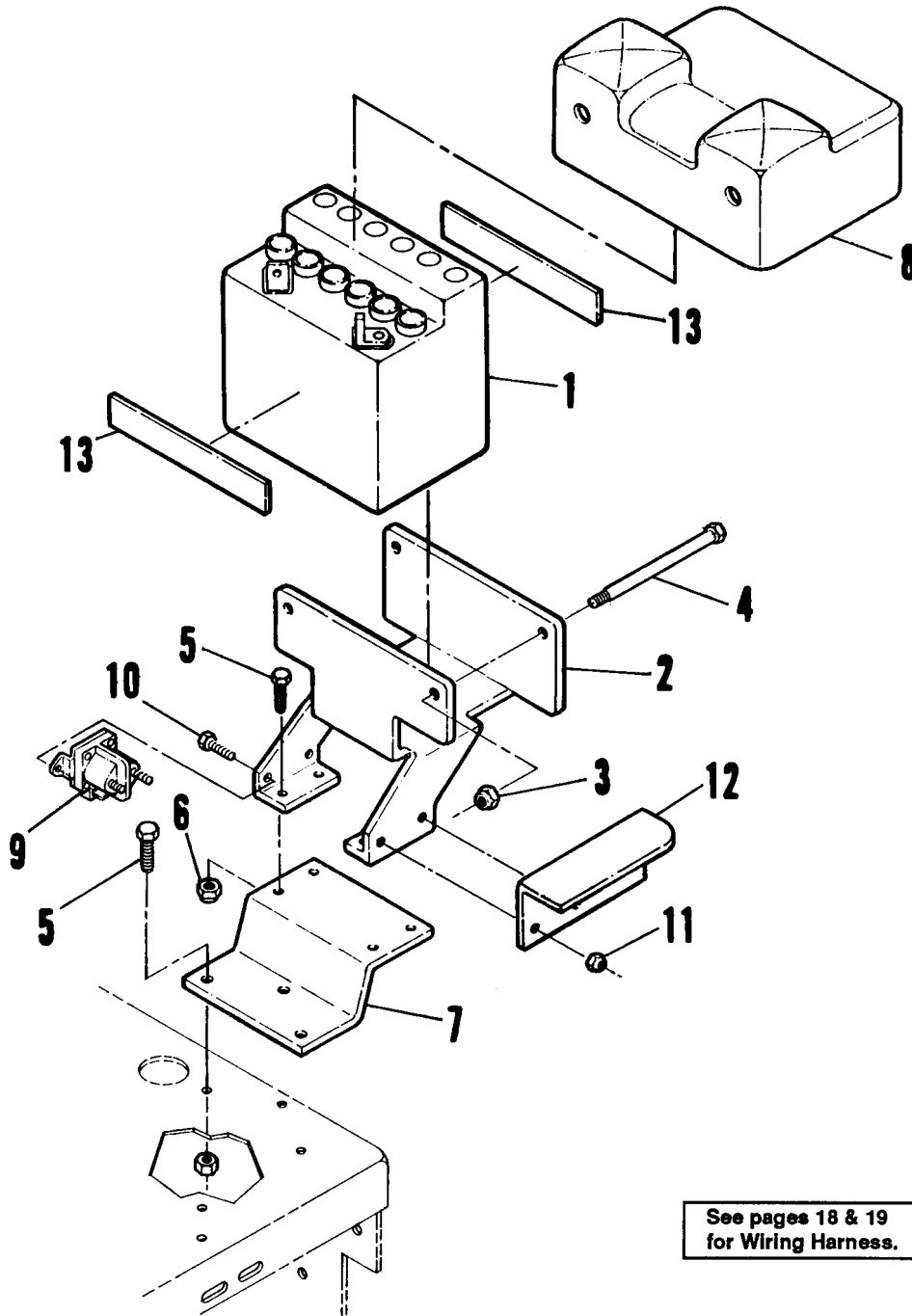
WIRING HARNESS ASSEMBLY



WIRING HARNESS ASSEMBLY

ITEM	PART NO.	DESCRIPTION
1	1-3941	CIRCUIT BREAKER (Includes Items 2 and 3)
2	9-0013	NUT, #10 - 32 (2)
3	9-0011	LOCKWASHER, #10, Internal Tooth (2)
4	9-0610	MACHINE SCREW, #10 - 24 x 1/2 (2)
5	9-1053	NUT, Keps, #10 - 24 (2)
6	1-5277	HOURMETER, LT
7	9-0925	NUT, MS #6 - 32 (2)
8	9-0926	WASHER, #6, Internal Tooth (2)
9	9-0927	MACHINE SCREW, #6 C x 1/2, Round Head (2)
10	1-7742	HARNESS WIRING
11	1-2080	CABLE TIE (5)
12	1-5098	CLIP NUT (4)
13	1-2685	NUT, 5/8" - 32
14	1-2686	NUT, 1/2" - 27, HT
15	1-8562	KEY SWITCH
16	2-3187	SWITCH - ROCKER SPST
17	1-9545	TOGGLE SWITCH
18	3-6340	PANEL, Rear
19	9-0880	WASHER, 5/8", Internal Tooth
20	1-9098	SWITCH (2)
21	7-7873	SCREW, #12 - 14 x 1/2, Hex Flat Head, Self-Tapping (4)
22	9-1056	CLIP NUT (2)
23	9-0307	SCREW, #10 C x 1/2, Hex, Self-Tapping (6)
24	1-5664	CLIP, Headlight (4)
25	1-6221	LIGHT, Head (2)
26	2-3504	KEY
27	1-6475	MODULE
28	1-8828	MOUNTING BEZEL (2)
29	3-6341	PANEL, Front
30	9-0063	NUT, 1/4" Hex C (2)
31	1-8604	SOLENOID
32	1-6498	CABLE, Solenoid 6" (14 HP Kohler/18 HP Kohler)
33	2-3149	CABLE, 28" (14 HP Kohler)
-	1-6835	CABLE, 13" (18 HP Kohler)
34	1-6835	CABLE, 13" (14 HP Kohler/18 HP Kohler)
35	1-6836	CABLE, 23" (14 HP Kohler/18 HP Kohler)
36	1-7740	HARNESS (14 HP Kohler)
-	1-7741	HARNESS (18 HP Kohler)
37	9-0053	WASHER, 1/4" Int. Tooth Lock (3)
38	1-4451	WIRE TIE (14 HP Kohler) (2)

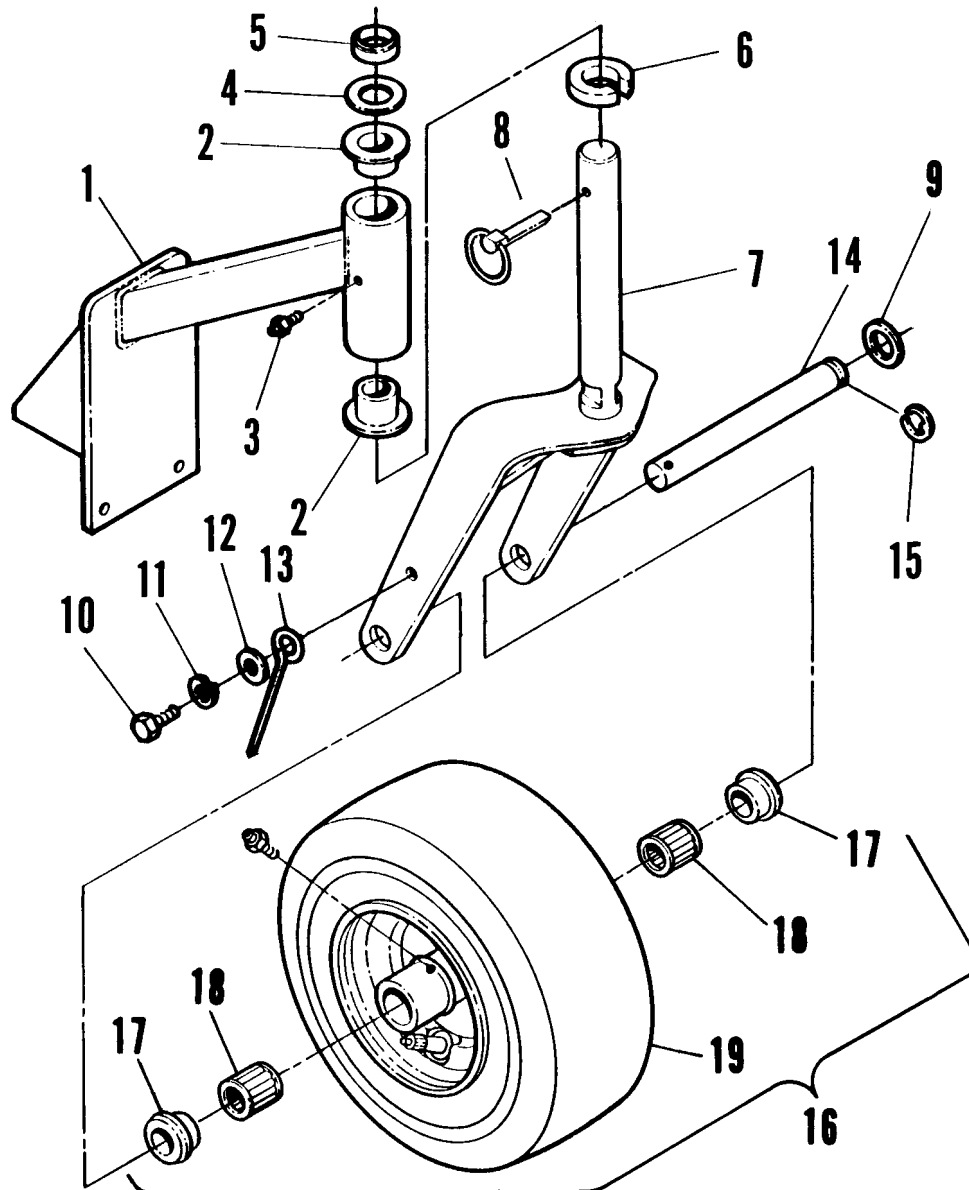
BATTERY & BATTERY MOUNT ASSEMBLY



See pages 18 & 19
for Wiring Harness.

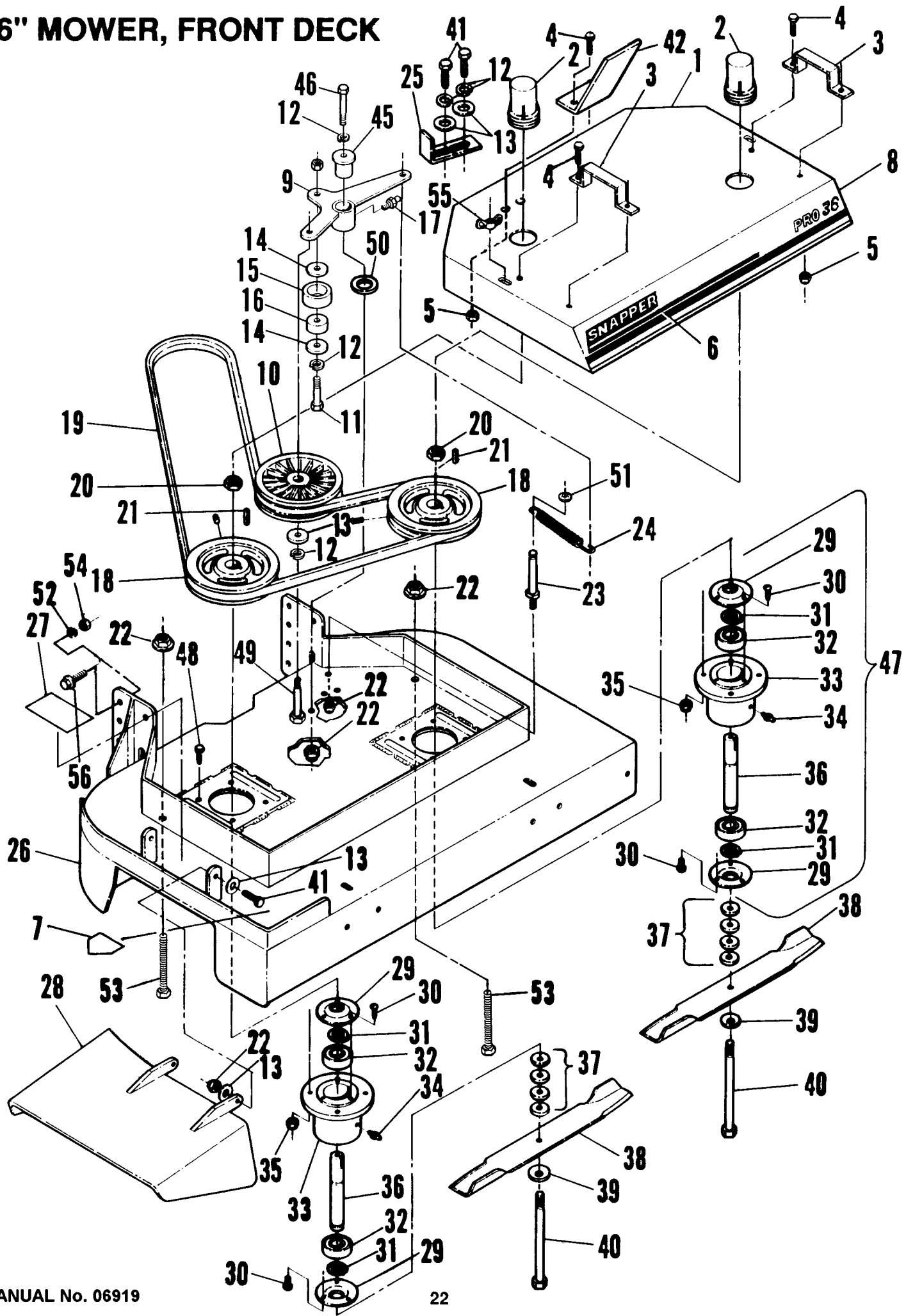
ITEM	PART NO.	DESCRIPTION
1	1-3533	BATTERY, 12 Volt
2	3-2964	BOX, Battery
3	7-6978	NUT, 1/4" - 20 Hex Nylon Lock (2)
4	9-1087	SCREW, 1/4" - 20 x 5 3/4" Lg. Hex Head Cap
5	7-6934	SCREW, 5/16" - 18 x 3/4" Lg. (7)
6	9-0717	NUT, 5/16" - 18 Hex Lock (7)
7	3-2960	BRACKET, Battery Mount
8	1-7370	COVER, Battery
9	1-8604	SOLENOID, 12V LT
10	9-0072	SCREW, 1/4" - 20 x 5/8" Lg. Hex Head Cap (2)
11	9-0583	NUT, 1/4" - 20 Hex Nylon Lock (2)
12	3-2965	SHIELD, Heat (18 HP Kohler)
13	1-6496	STRIP, Rubber (2)

CASTER WHEEL ASSEMBLY



ITEM	PART NO.	DESCRIPTION
-	5-2086	ASSEMBLY, Caster (36" Deck Only) (Includes Items 1, 2 & 3)
-	5-2083	ASSEMBLY, Caster (48", 52" & 61" Decks) (Includes Items 1, 2 & 3)
1	4-0678	SUPPORT, Caster (36" Deck Only) (Includes Items 2 & 3)
1	4-9798	SUPPORT, Caster (48", 52" & 61" Decks) (Includes Items 2 & 3)
2	2-3556	BUSHING, Flange (2)
3	7-6998	ZERK, 1/8" NPT Straight
4	2-3747	BUSHING, Machinery, 1"
5	2-1960	BUSHING
6	1-9152	SPACER, Caster
7	4-9805	YOKE, Caster
8	1-7711	PIN, Lynch 7/16
9	9-1050	BUSHING, Machinery, 3/4"
10	9-0603	SCREW, Hex Cap
11	9-0118	LOCKWASHER, 3/8"
12	9-0517	FLATWASHER, 3/8"
13	1-9289	MOUNT, Caster Axle
14	1-6460	AXLE, Caster
15	1-2705	E-RING
16	5-2085	WHEEL & TIRE ASSEMBLY (Includes Items 17, 18 & 19)
17	1-7786	BEARING, Flange, 3/4" (2)
18	1-7785	ROLLER BEARING, 3/4" x 1" (2)
19	1-7784	TIRE, 4-Ply Smooth Tread

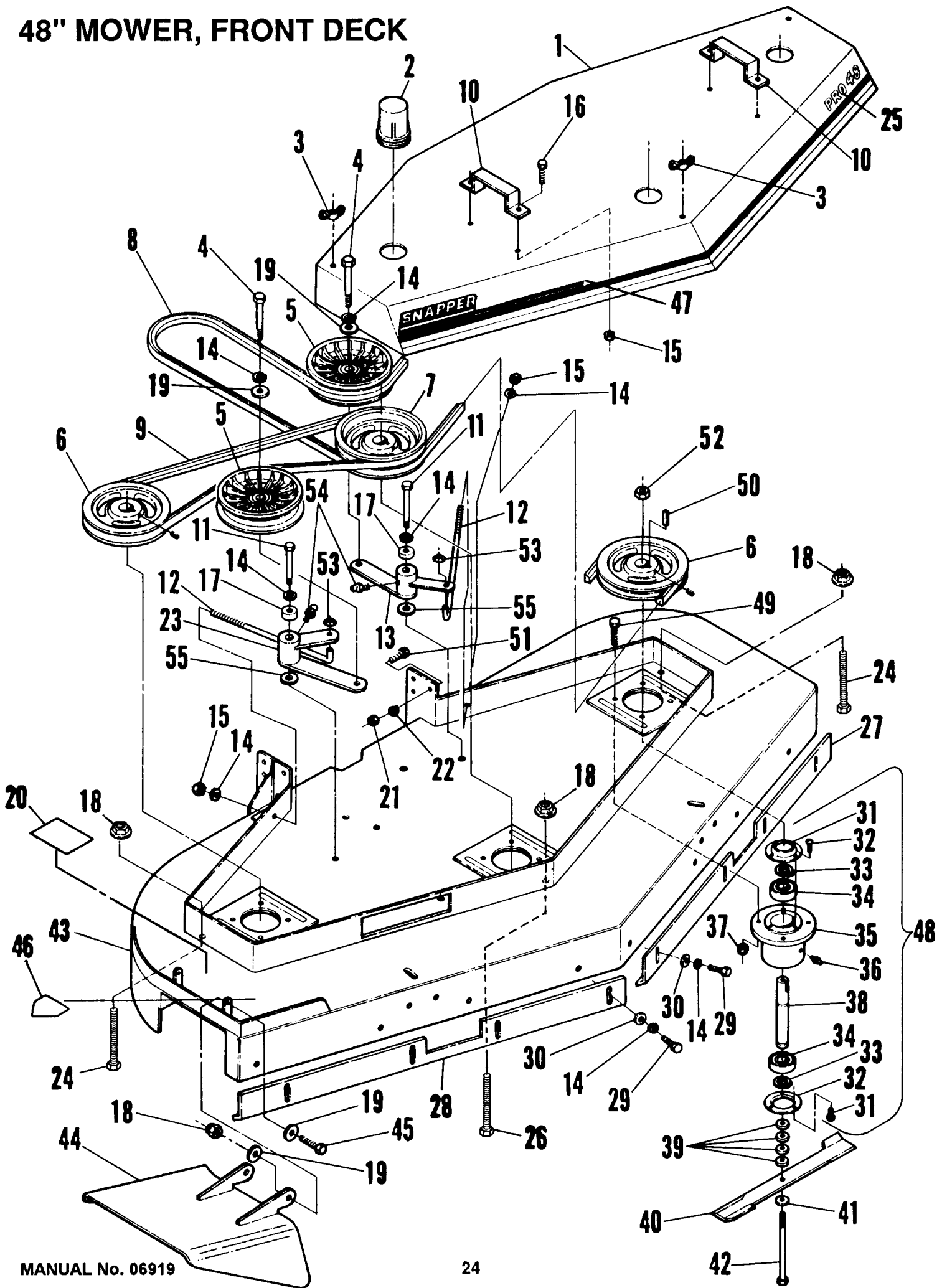
36" MOWER, FRONT DECK



36" MOWER, FRONT DECK

ITEM	PART NO.	DESCRIPTION
1	5-2440	HOOD w/DECALS 36
2	1-9248	CAP, Spindle (2)
3	3-3189	HANDLE, Hood (2)
4	9-0072	SCREW, Hex Head Cap 1/4 - 20 x 5/8 (6)
5	7-6978	NUT, 1/4 - 20 Nyloc Hex (6)
6	1-7821	DECAL, 36 Hood
7	1-3010	WARNING DECAL
8	1-6906	DECAL, Pro 36
9	4-0658	IDLER, Weldment
10	1-9160	PULLEY, Idler
11	9-0655	SCREW, Hex Head Cap 3/8 - 16 x 1 1/2 (2)
12	9-0118	WASHER, Lock 3/8 (3)
13	9-0517	WASHER, Flat 3/8 (7)
14	9-1047	WASHER, Flat 1 1/2 O.D. (2)
15	1-6458	BUMPER, Snubber
16	1-6457	SPACER, Snubber
17	7-6998	ZERK, 1/4 - 28
18	1-9317	PULLEY, w/Set Screws (2)
19	3-8624	BELT, Engine Blade
20	7-6980	NUT, 5/8 - 18 Hex (2)
21	1-6375	KEY, Spindle (2)
22	9-0613	NUT, 3/8 - 16 Flange Lock (5)
23	1-2125	STUD, Spring Holder
24	1-6432	SPRING, Idler
25	3-2948	BRACKET, Snubber
26	4-0646	DECK Weldment, 36"
27	7-6533	DECAL, "CAUTION"
28	4-0657	DEFLECTOR, CHUTE
29	1-9096	CAP, CUTTER HOUSING (4)
30	9-1034	SCREW, Self-Tapping 10 - 24 x 1/2 (12)
31	2-3548	RING, Retaining (4)
32	1-9125	BEARING, Single Seal (4)
33	2-2158	HOUSING, Cutter (2)
34	7-6997	ZERK, 1/8 NPT (2)
35	7-6979	NUT, 3/8" - 16 Nylon Ring Hex (8)
36	1-9189	SPINDLE, Cutter (2)
37	7-6436	SPACER, Blade (8)
38	1-7037	BLADE, 18 High Lift (2)
39	1-6440	WASHER, 5/8 Bevel (2)
40	1-6447	SCREW, Hex Head Cap 5/8 - 18 x 7 1/2 (2)
41	9-0563	SCREW, 3/8" - 16 x 1" Hex Head Cap Gr. 5 (3)
42	3-3221	SHIELD, Muffler
43	9-0717	NUT, 5/16 - 18 Nyloc Hex (2)
44	2-3747	BUSHING, Machine
45	1-6173	SPACER, Pivot
46	9-1044	SCREW, Hex Head Cap 3/8 - 16 x 3 1/4
47	5-2369	HOUSING, Cutter Assembly (Includes Items 29 thru 34, 36)
48	7-6941	SCREW, 3/8" - 16 x 1 1/4" Hex Head Cap (8)
49	9-1111	SCREW, 3/8" - 16 x 1 3/4" Hex Head Cap Gr. 8
50	1-6561	BUSHING, 14 GA Machine
51	1-3946	RETAINER, 3/8" WHL
52	9-0252	LOCKWASHER, 1/2" (6)
53	9-1132	TAP BOLT, 3/8" X 5" (2)
54	9-0258	NUT, 1/2" - 13 Hex (6)
55	9-1049	NUT, 3/8" - 16 Nylon Ring Wing (2)
56	9-0622	BOLT, 1/2" - 13 x 1 1/4" Hex Flange Lock (6)

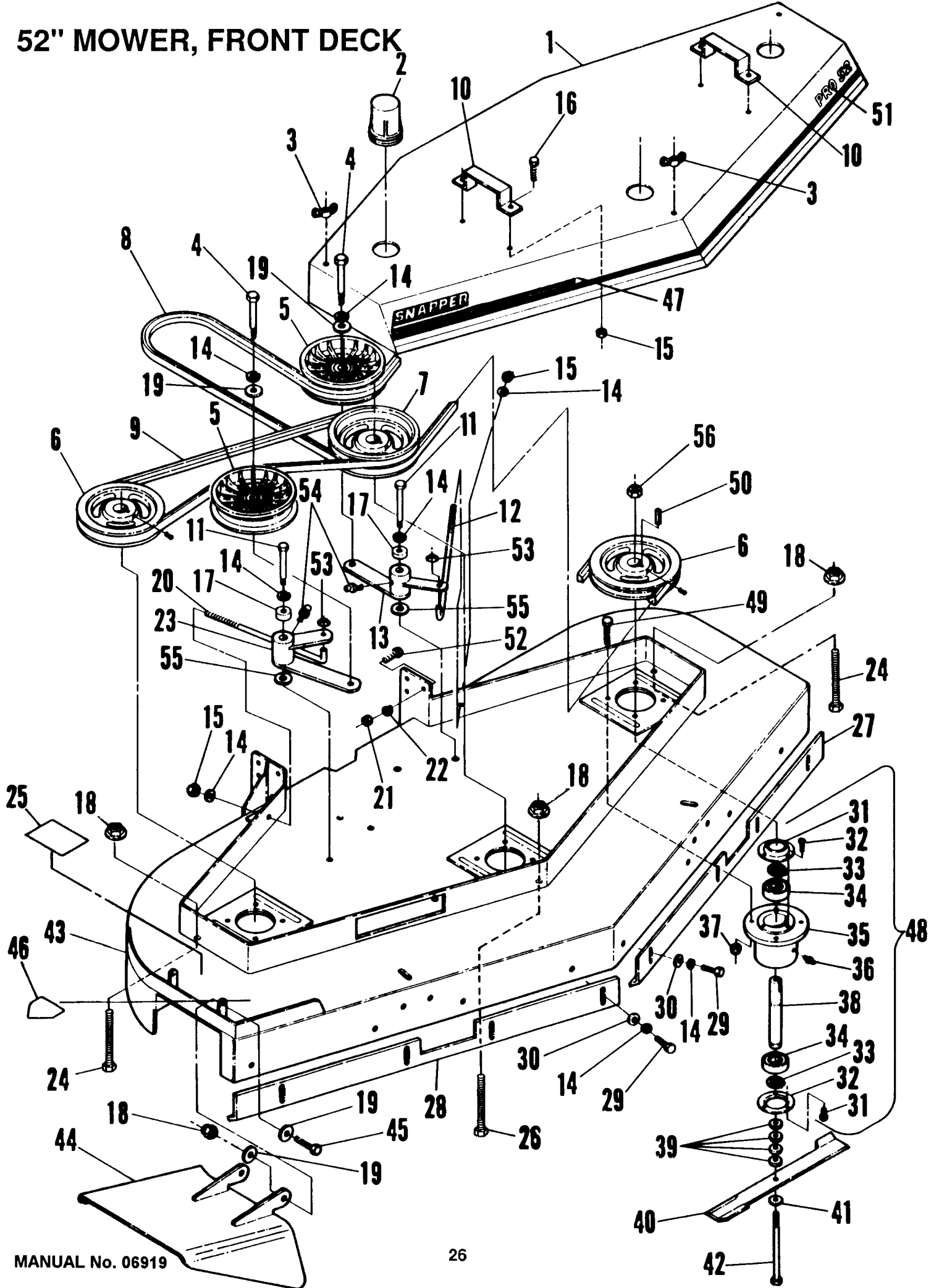
48" MOWER, FRONT DECK



48" MOWER, FRONT DECK

ITEM	PART NO.	DESCRIPTION
1	5-2441	HOOD w/DECALS 48
2	1-9248	CAP, Spindle (3)
3	9-1049	NUT, 3/8" - 16 Wing (3)
4	9-1111	SCREW, 3/8" - 16 x 1 3/4" Hex Head Cap (2)
5	1-9160	PULLEY, Idler (2)
6	1-9317	PULLEY, w/Set Screws (2)
7	1-9320	PULLEY, Double w/Set Screws
8	3-8624	BELT, Engine to Deck
9	1-9205	BELT, Cutter Spindle
10	3-3189	HANDLE, Hood (2)
11	9-1044	SCREW, 3/8" - 26 x 3 1/4" Gr. 5 Hex Head Cap (2)
12	1-6172	ROD, Belt Adjusting (2)
13	4-0655	ARM, Engine to Deck Idler Weldment
14	9-0118	WASHER, 3/8" Lock (14)
15	7-6978	NUT, 1/4" - 20 Nylon Ring Hex Lock (6)
16	9-0072	SCREW, 1/4" - 20 x 5/8" Gr. 5 Hex Head Cap (4)
17	1-6173	SPACER, Pivot
18	9-0613	NUT, 3/8" - 16 Hex Flange Lock (5)
19	9-0517	WASHER, 3/8" Flat (4)
20	7-6533	DECAL, Caution
21	9-0258	NUT, 1/2" - 13 Hex (6)
22	9-0252	WASHER, 1/2" Lock (6)
23	4-0654	ARM, Blade to Blade Idler Weldment
24	9-1132	TAP BOLT, 3/8" x 5" (2)
25	1-6909	DECAL, Pro 48
26	9-1131	TAP BOLT, 3/8" x 4"
27	3-2957	SKIRT, Front L.H.
28	3-2958	SKIRT, Front R.H.
29	9-1086	SCREW, 3/8" - 16 x 3/4" Gr. 5 Hex Head Cap (8)
30	9-1047	WASHER, Flat (8)
31	1-9096	CAP, Cutter Housing (6)
32	9-1034	SCREW, #10 - 24 x 1/2" Self-Tapping (18)
33	2-3548	RING, Retaining (6)
34	1-9125	BEARING, Single Seal (6)
35	2-2158	HOUSING, Cutter (3)
36	7-6997	ZERK, 1/8" NPT (3)
37	7-6979	NUT, 3/8" - 16 Nylon Ring Hex (12)
38	1-9189	SPINDLE, Cutter (3)
39	7-6436	SPACER, Blade (12)
40	1-7043	BLADE, 16 1/2" High Lift (3)
41	1-6440	WASHER, 5/8" Bevel (3)
42	1-6447	SCREW, 5/8" - 18 x 8 1/2" Gr. 5 Hex Head Cap (3)
43	4-0647	DECK, 48" Mowing
44	4-0659	DEFLECTOR, Chute
45	9-0563	SCREW, 3/8" - 16 x 1" Gr. 5 Hex Head Cap (2)
46	1-3010	WARNING DECAL
47	1-7822	DECAL, 48 Hood
48	5-2569	HOUSING, Assembly Cutter (Includes Items 31 thru 36 & 38)
49	7-6941	SCREW, 3/8" - 16 x 1 1/4" Hex Head Cap (12)
50	1-6375	KEY, Spindle (3)
51	9-0622	BOLT, 1/2" - 13 x 1 1/4" Hex Flange Lock (6)
52	7-6980	NUT, 5/8" - 18 Hex
53	1-3946	RETAINER, 3/8"
54	7-6998	ZERK, Fitting (2)
55	1-6561	BUSHING, 1" x 14 Ga. Machine (2)

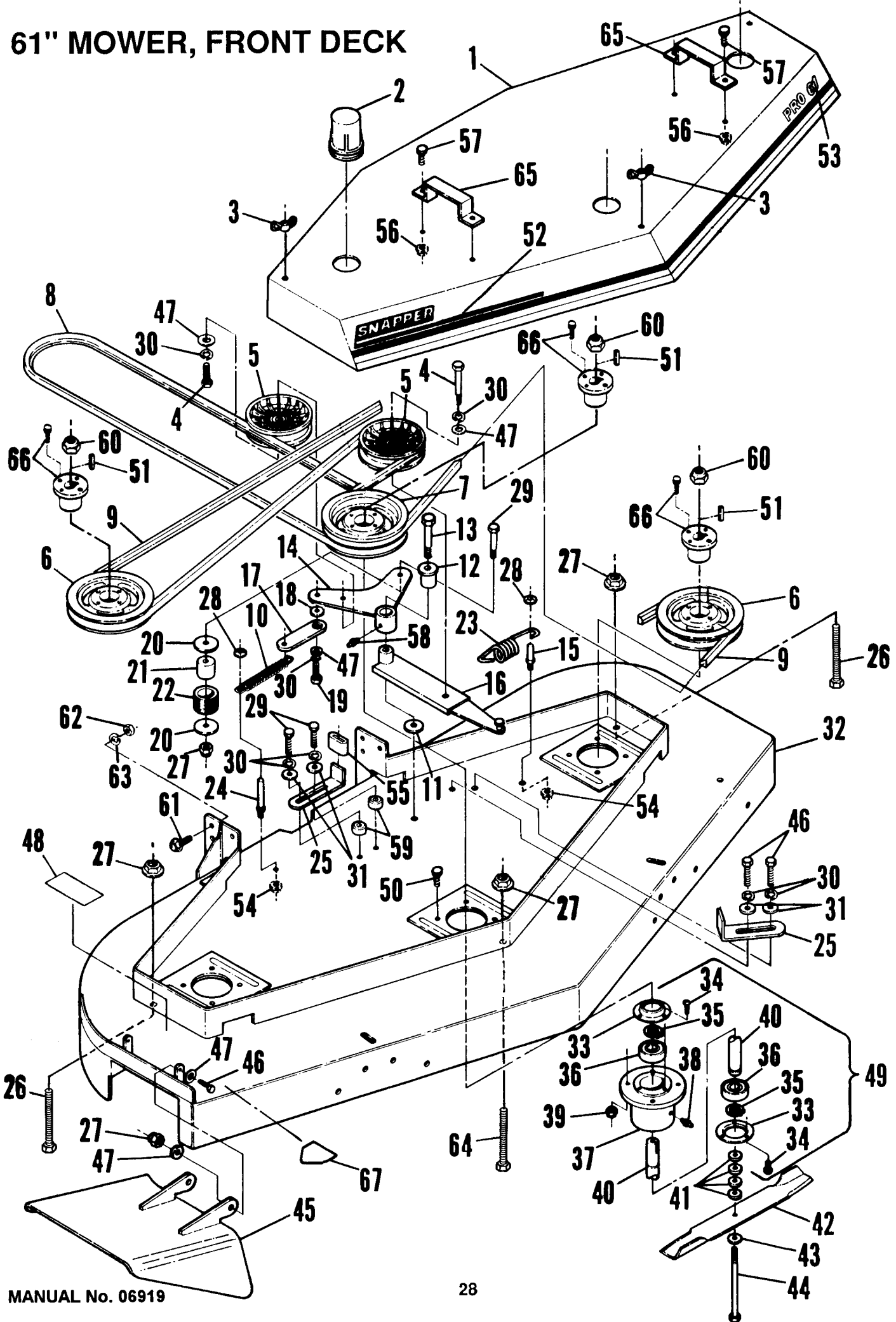
52" MOWER, FRONT DECK



52" MOWER, FRONT DECK

ITEM	PART NO.	DESCRIPTION
1	5-2442	HOOD w/Decals 52
2	1-9248	CAP, Spindle (3)
3	9-1049	WING-NUT, 3/8-16 Nyloc (3)
4	9-1111	SCREW, 3/8-16 x 1-3/4" Hex Head Cap, Grade 8 (2)
5	1-9160	PULLEY, Idler (2)
6	1-9317	PULLEY, w/Set Screws (2)
7	1-9320	PULLEY, Double w/Set Screws
8	1-6102	BELT, Engine to Deck
9	1-6101	BELT, Cutter Spindle
10	3-3189	HANDLE, Hood (2)
11	9-1044	SCREW, 3/8-26 x 3-1/4" Hex Head Cap, Grade 5 (2)
12	1-7161	ROD, Belt Adjusting (2)
13	4-0655	ARM, Engine to Deck Idler Weldment
14	9-0118	WASHER, 3/8" Split Lock (14)
15	7-6978	NUT, 1/4-20 Hex Nyloc (6)
16	9-0072	SCREW, 1/4-20 x 5/8" Hex Head Cap, Grade 5 (4)
17	1-6173	SPACER, Pivot
18	9-0613	NUT, 3/8-16 Hex Flange lock (5)
19	9-0517	WASHER, 3/8" Flat (4)
20	1-6886	ROD
21	9-0258	NUT, 1/2-13 Hex (6)
22	9-0252	WASHER, 1/2" Lock (6)
23	4-0654	ARM, Blade to Blade Idler Weldment
24	9-1132	TAP BOLT, 3/8 x 5" (2)
25	7-6533	DECAL, Caution
26	9-1131	TAP BOLT, 3/8 x 4"
27	3-8511	SKIRT, Front L.H.
28	3-8512	SKIRT, Front R.H.
29	9-1086	SCREW, 3/8-16 x 3/4" Hex Head Cap, Grade 5 (8)
30	9-1047	WASHER, 3/8" Flat (8)
31	1-9096	CAP, Cutter Housing (6)
32	9-1034	SCREW, #10-24 x 1/2" Hex Washer Self-Tap (18)
33	2-3548	RING, Retaining (6)
34	1-9125	BEARING, Single Seal (6)
35	2-2158	HOUSING, Cutter (3)
36	7-6997	FITTING, 1/8" NPT Grease (3)
37	7-6979	NUT, 3/8-16 Hex Nyloc (12)
38	1-9189	SPINDLE, Cutter (3)
39	7-6436	SPACER, Blade (12)
40	1-7037	BLADE, 18" High Lift (3)
41	1-6440	WASHER, 5/8" Bevel (3)
42	1-6447	SCREW, 5/8-18 x 8-1/2 Hex Head Cap, Grade 5 (3)
43	4-0648	DECK, 52" Mowing
44	4-0652	DEFLECTOR, Chute
45	9-0563	SCREW, 3/8-16 x 1" Hex Head Cap, Grade 5 (2)
46	1-3010	DECAL, Warning
47	1-7823	DECAL, 52 Hood
48	5-2569	HOUSING, Asy. Cutter (Incl. Items 31 thru 36 & 38)
49	7-6941	SCREW, 3/8-16 x 1-1/4" Hex Head Cap, Grade 5 (12)
50	1-6375	KEY, Spindle (3)
51	1-6912	DECAL, Pro 52
52	9-0622	BOLT, 1/2-13 x 1-1/4" Hex Flange Lock (6)
53	1-3946	RETAINER, 3/8" Rod
54	7-6998	FITTING, Grease (2)
55	1-6561	BUSHING, 1" x 14 Ga. Machine (2)
56	7-6980	NUT, 5/8-18 Hex

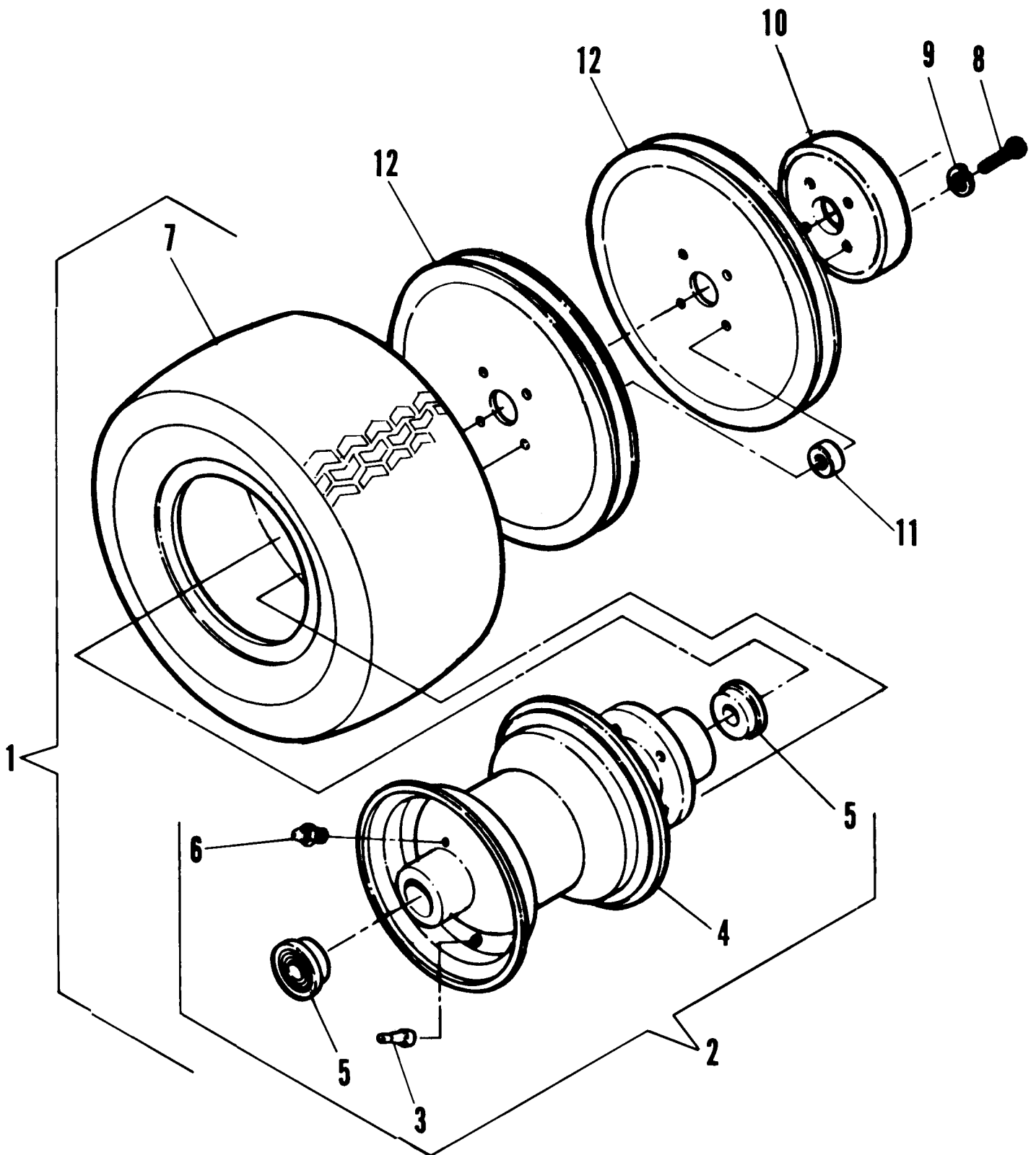
61" MOWER, FRONT DECK



61" MOWER, FRONT DECK

ITEM	PART NO.	DESCRIPTION
1	5-2443	HOOD w/DECALS 61
2	1-9248	CAP, Spindle
3	9-1049	NUT, 3/8 - 16 Wing (3)
4	9-1111	SCREW, 3/8" - 16 x 3/4", Gr. 8, Hex Head (3)
5	1-9160	PULLEY, Idler (2)
6	1-6378	PULLEY, w/Set Screw (2)
7	1-6379	PULLEY, Double w/Set Screw
8	1-6104	BELT, Engine to Deck 62.5"
9	1-6103	BELT, Cutter Spindle
10	1-6432	SPRING, Idler
11	1-6561	BUSHING, Machine 14 GA
12	1-6434	PIVOT, Deck Idler
13	9-1126	SCREW, 3/8" - 16 x 3 3/4", Hex Head Cap
14	4-0666	ARM, Idler
15	2-7716	STUD, Spring Mounting (2)
16	4-0656	ARM, Idler
17	3-2948	ARM, Tension
18	1-7743	SPACER
19	9-1048	SCREW, 3/8" - 16 x 5/8", Gr. 5, Hex Head
20	9-1047	WASHER, Flat (1 1/2" O.D.) (2)
21	1-6457	SPACER, Snubber
22	1-6458	BUMPER, Snubber
23	1-4168	SPRING, Blade HDL
24	1-2125	GUIDE, Plate
25	3-2947	BRACKET, Snubber (2)
26	9-1132	TAP BOLT, 3/8" x 5" (2)
27	9-0613	NUT, 3/8" - 16, Flange Lock (5)
28	1-3946	RETAINER, 3/8" (2)
29	9-0655	SCREW, 3/8" - 16 x 1 1/2", Hex Head Cap (3)
30	9-0118	WASHER, 3/8" Lock (6)
31	9-0692	WASHER, 5/16" Flat
32	4-0649	DECK
33	1-9096	CAP, Cutter Housing (6)
34	9-1034	SCREW, Self-Tapping, #10 - 24 x 1/2" (18)
35	2-3548	RING, Retaining (6)
36	1-9125	BEARING, Single Seal (6)
37	2-2158	HOUSING, Cutter (3)
38	7-6997	ZERK, 1/8 NPT (3)
39	7-6979	NUT, 3/8" Hex Nylon Ring (12)
40	1-9189	SPINDLE, Cutter (3)
41	7-6436	SPACER, Blade (12)
42	1-7081	BLADE, 21" High (3)
43	1-6440	WASHER, 5/8" Bevel (3)
44	1-6447	SCREW, 5/8" - 18 X 8 1/2" Hex Head Cap (3)
45	4-0652	DEFLECTOR, Chute
46	9-0563	SCREW, 3/8" - 16 x 1" Hex Head Cap (4)
47	9-0517	WASHER, 3/8" Flat (6)
48	7-6533	DECAL, Caution
49	5-2369	HOUSING, Cutter Assembly (Includes Items 33 thru 38 & 40) (3)
50	7-6941	SCREW, 3/8" - 16 x 1 1/4" Hex Head Cap (12)
51	1-6375	KEY, Spindle (3)
52	1-7824	DECAL, 61 Hood
53	1-6915	DECAL, Pro 61
54	9-0962	NUT, 3/8" - 16 Flange Lock (2)
55	1-6467	BUMPER, Snubber
56	7-6978	NUT, 1/4" Hex Nylon Ring (4)
57	9-0072	SCREW, 1/4" x 5/8" Hex Head Cap (4)
58	7-6998	ZERK, 1/4" - 28 Straight
59	2-3515	SPACER, (2)
60	7-6980	NUT, 5/8" (3)
61	9-0662	BOLT, 1/2" - 13 x 1 1/4" Hex Flange Lock (6)
62	9-0258	NUT, 1/2" - 13 Hex (6)
63	9-0252	WASHER, 1/2" Lock (6)
64	9-1131	TAP BOLT, 3/8" x 4"
65	3-3189	HANDLE, Hood
66	2-3381	BUSHING, Taperlock (3)

TRACTION WHEEL ASSEMBLY



TRACTION WHEEL ASSEMBLY

ITEM	PART NO.	DESCRIPTION
-	5-1970	WHEEL ASSEMBLY (Includes Items 1 thru 12) (2)
1	1-7058	WHEEL & RIM ASSEMBLY (Includes Items 2 thru 7)
2	2-3518	RIM ASSEMBLY (Includes Items 3 thru 6)
3	1-2234	VALVE STEM
4	1-6239	RIM
5	1-9169	BEARING, Wheel (2)
6	7-6998	ZERK FITTING
7	2-3788	TIRE, 6.50 x 13 - 6, 4 Ply, Tubeless
8	7-6935	SCREW, Hex Head Cap, 5/16" - 24 x 1 1/2 (4)
9	9-0187	WASHER, Lock, 5/16" (4)
10	2-3516	DRUM, Brake
11	2-3515	SPACER (4)
12	2-3517	PULLEY, 9" (2)

DECAL KIT

SNAPPER[®]

PRO SERIES

PRO 36

PRO 48

PRO 52

PRO 61

REVERSE N 1 2 3 4 TRANSPORT

REVERSE ASSIST



CAUTION

TO AVOID INJURY
BEFORE MOWING:

- READ OPERATOR'S MANUAL AND OTHER INSTRUCTIONS FURNISHED WITH THIS MACHINE AND THE ATTACHMENTS.
- PRACTICE WITH BLADE OFF TO LEARN CONTROLS AND PROPER OPERATION.
- MAKE SURE THAT GUARDS, CONTROLS, AND OTHER SAFETY DEVICES ARE IN PROPER POSITION AND FUNCTIONAL.
- CLEAR MOWING AREA OF WIRE, ROCKS, AND OTHER OBJECTS THAT COULD CAUSE INJURY IF THROWN BY BLADE.

PROTECT CHILDREN AND OTHER PEOPLE:

- DO NOT ALLOW CHILDREN (PRE-TEENAGERS) TO USE MACHINE. KEEP CHILDREN AND OTHERS SAFELY AWAY FROM OPERATING AREA.
- TEENAGERS, AND OTHER INEXPERIENCED OPERATORS, MUST BE CAREFULLY INSTRUCTED AND CLOSELY SUPERVISED.

BE CAREFUL ON SLOPES:

- DO NOT MOW ON ANY SLOPE OR OTHER AREA WHERE STABILITY OR TRACTION IS IN DOUBT.
- MOW ACROSS SLOPES, NOT UP AND DOWN.
- REDUCE SPEED AND AVOID SHARP TURNS ON SLOPES.
- DO NOT USE SULKY ON SLOPES.
- AVOID DITCHES AND OTHER DROP-OFFS.

AVOID CONTACT WITH ROTATING BLADE:

- STOP BLADE AND ENGINE BEFORE ATTEMPTING TO UNCLOG DISCHARGE OR PLACING HANDS OR FEET NEAR BLADE.
- DO NOT LEAVE OPERATOR'S POSITION UNLESS BLADE AND ENGINE ARE STOPPED.
- REMOVE KEY WHEN LEAVING MACHINE UNATTENDED.

1-8956

CAUTION

THE MOWER SHALL NOT BE OPERATED WITHOUT EITHER THE ENTIRE GRASS CATCHER OR THE CHUTE DEFLECTOR BOLTED IN PLACE. DO NOT REMOVE GRASS CATCHER UNTIL BLADE OR BLADES HAVE STOPPED.

76533



12

ITEM	PART NO.	DESCRIPTION
-	6-1078	DECAL KIT, Pro (Includes Items 1 thru 15)
1	1-7821	DECAL, 36 Hood
-	1-7822	DECAL, 48 Hood
-	1-7823	DECAL, 52 Hood
-	1-7824	DECAL, 61 Hood
2	1-6908	DECAL, Stripe 48
-	1-6911	DECAL, Stripe 52
-	1-6914	DECAL, Stripe 61
3	1-6906	DECAL, Pro 36
4	1-6909	DECAL, Pro 48
5	1-6912	DECAL, Pro 52
6	1-6915	DECAL, Pro 61
7	1-6183	DECAL, Shift
8	1-6212	DECAL, Reverse Bail
9	1-3010	WARNING DECAL
10	1-8956	DECAL, Caution
11	7-6533	DECAL, Caution
12	1-7827	DECAL, Console
13	1-7150	DECAL, Pat. Pend. (Not Illustrated)
14	1-7151	DECAL, Lift Here (Not Illustrated)
15	1-7825	DECAL, Snapper (Not Illustrated)

SNAPPER[®]

**PRO 8 MID-SIZE MOWERS
GEAR DRIVE SERIES 0**

SNAPPER[®] McDonough, GA., 30253 U.S.A.