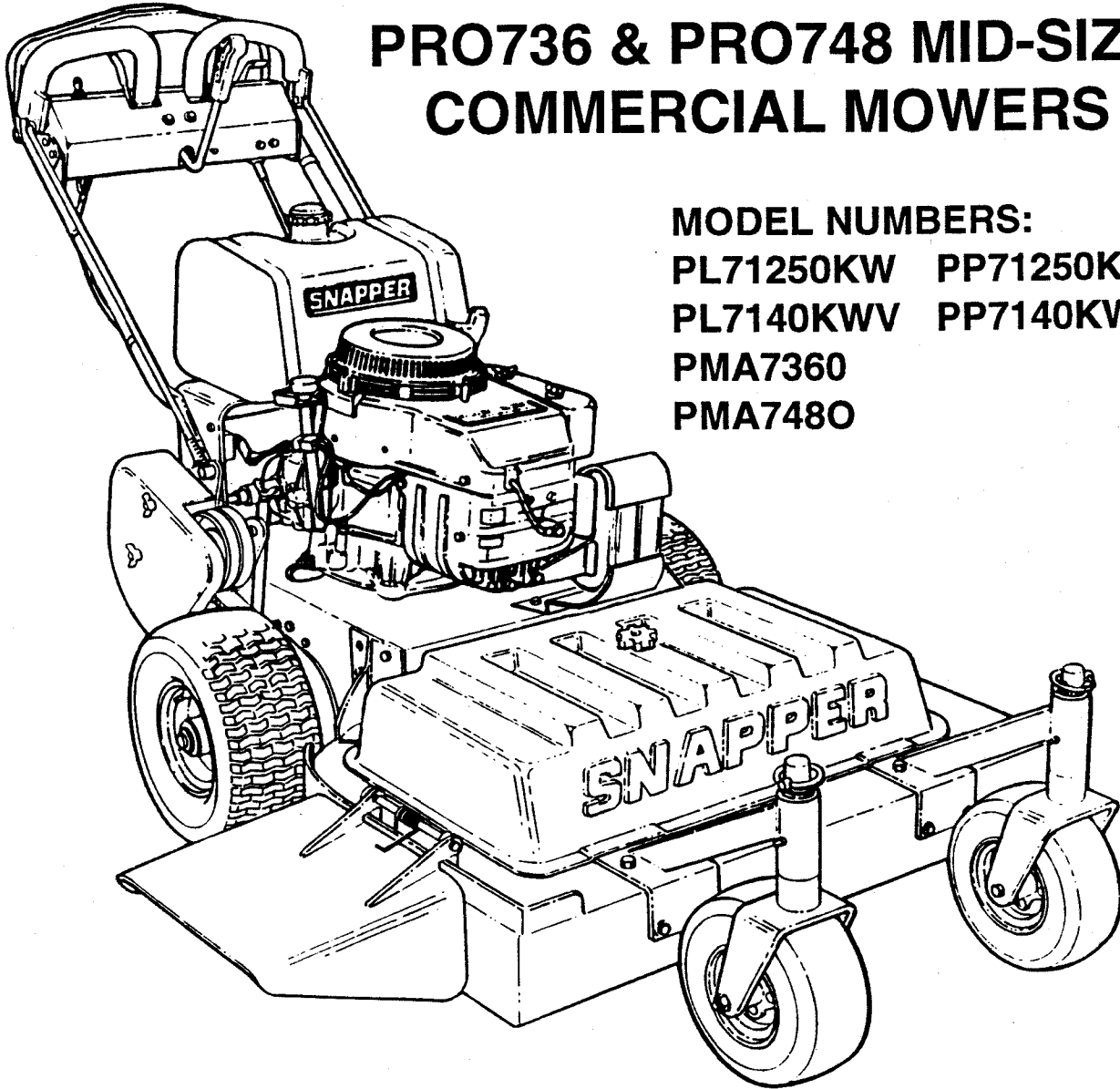


SNAPPER®

PRO736 & PRO748 MID-SIZE COMMERCIAL MOWERS



MODEL NUMBERS:

PL71250KW PP71250KW

PL7140KWV PP7140KWV

PMA7360

PMA7480

*MODEL SHOWN: PL71250KW POWER UNIT, PMA7360 MOWER ATTACHMENT,
61053 CASTER KIT.*

IT IS THE POLICY OF SNAPPER POWER EQUIPMENT TO IMPROVE ITS PRODUCTS WHENEVER IT IS POSSIBLE AND PRACTICAL TO DO SO. WE RESERVE THE RIGHT TO MAKE CHANGES OR ADD IMPROVEMENTS AT ANY TIME WITHOUT INCURRING ANY OBLIGATION TO MAKE SUCH CHANGES ON PRODUCTS MANUFACTURED PREVIOUSLY.

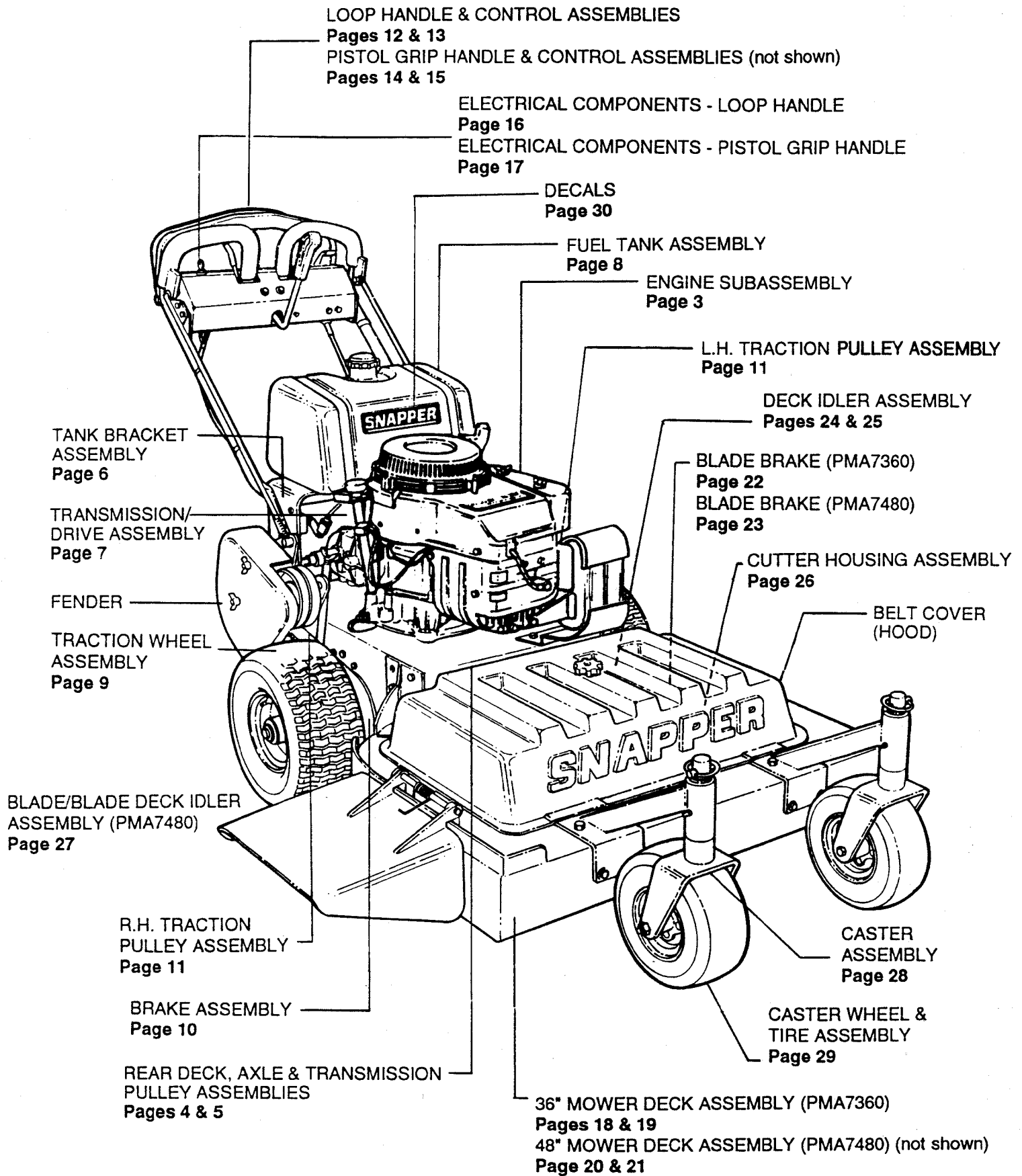
SNAPPER POWER EQUIPMENT

McDonough, GA., 30253 U.S.A.



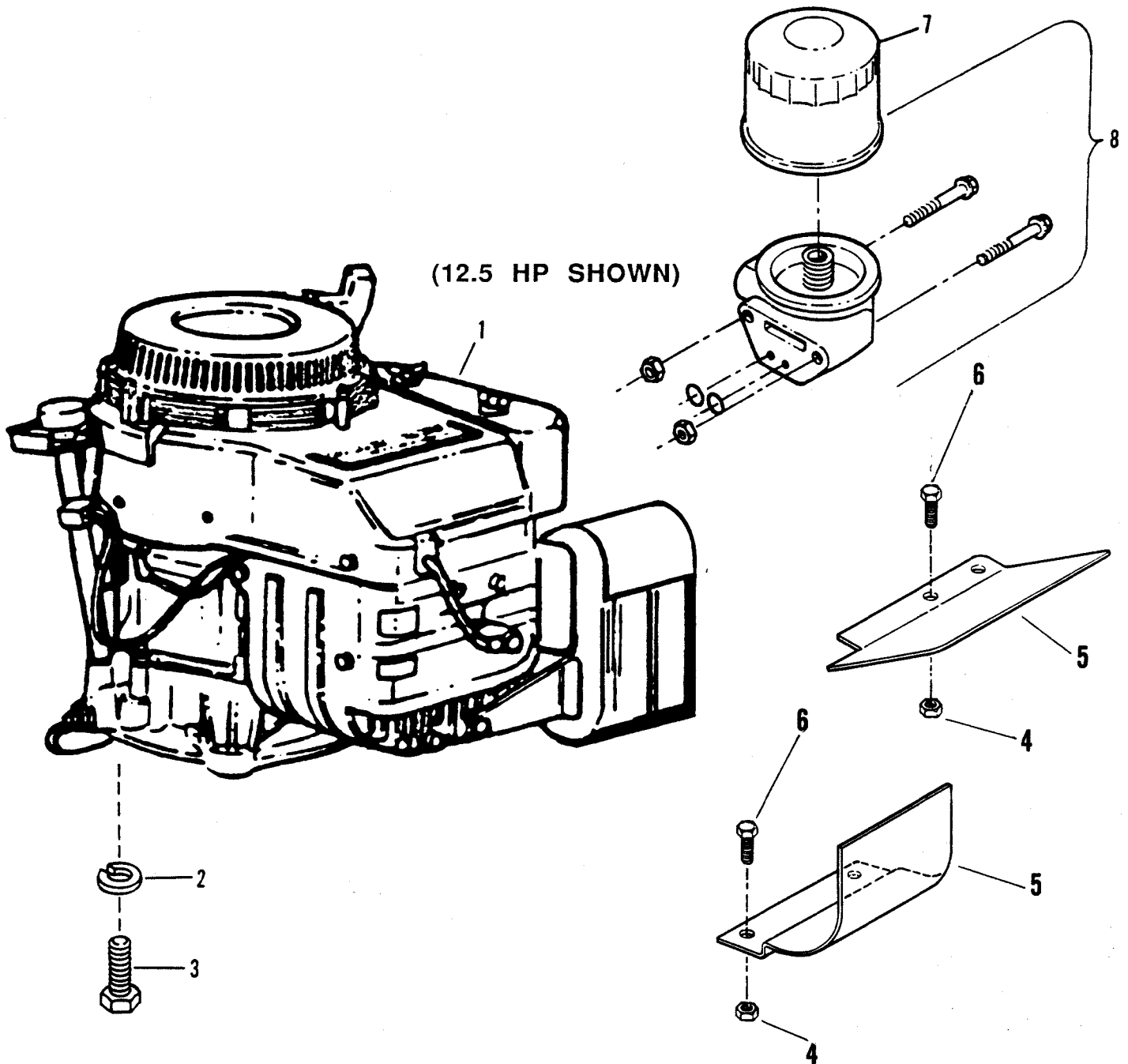
MANUAL #06920 (I.R. 1/92)

COMPONENTS LOCATION



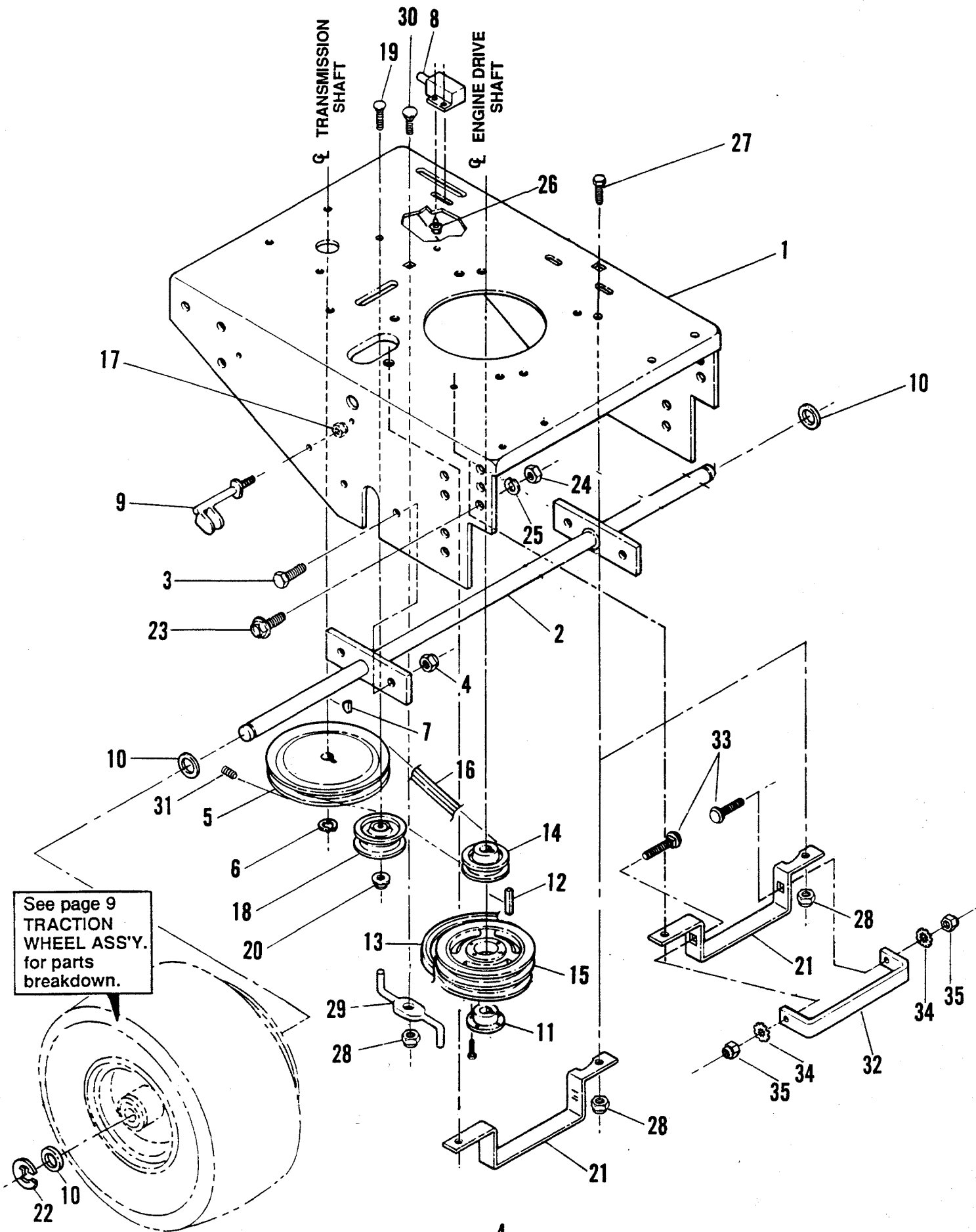
MODEL SHOWN: PL71250KW POWER UNIT, PMA7360 MOWER ATTACHMENT, 61053 CASTER KIT.

ENGINE SUBASSEMBLY



ITEM	PART NO.	DESCRIPTION
1	7-6567	ENGINE, 12.5 H.P. Kawasaki
--	2-4023	ENGINE, 14.0 H.P. Kawasaki (Not Shown)
2	9-0187	LOCKWASHER, 5/16" split (4)
3	7-7692	BOLT, M8 1.25 x 25 Tap Grade 5 (4)
4	9-0717	NUT, 5/16C ESNA Hex Lock (2)
5	3-3572	SHIELD, Heat (12.5 HP)
--	3-3319	SHIELD, Heat (14 HP)
6	9-0206	CAPSCREW, 5/16C x 3/4" Hex Head (2)
7	7-7355	FILTER, Oil (12.5 & 14HP Models)
8	7-7288	KIT, Oil Filter (12.5 HP Model only)

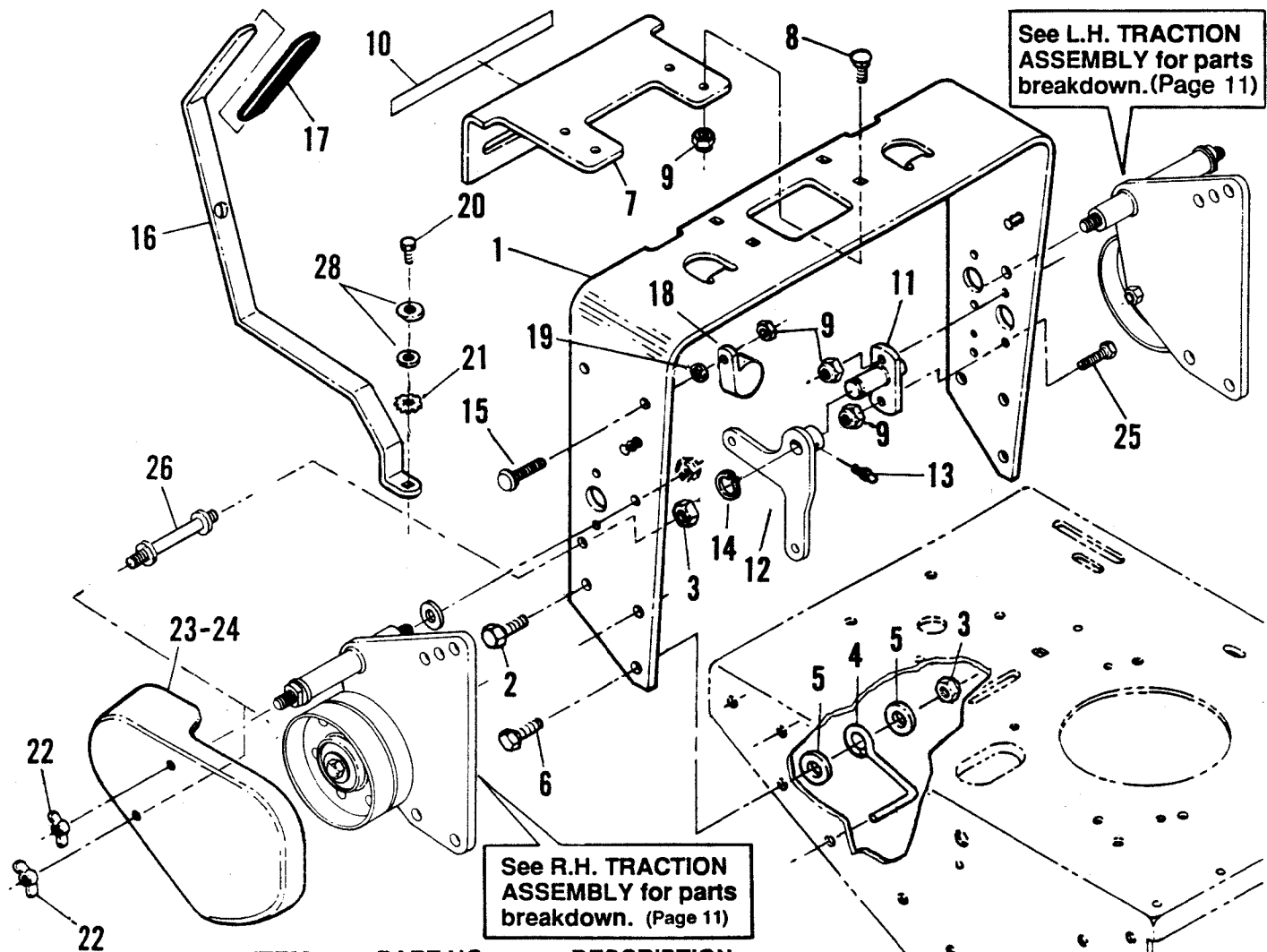
REAR DECK, AXLE & TRANSMISSION PULLEY ASSEMBLIES



REAR DECK, AXLE & TRANSMISSION PULLEY ASSEMBLIES

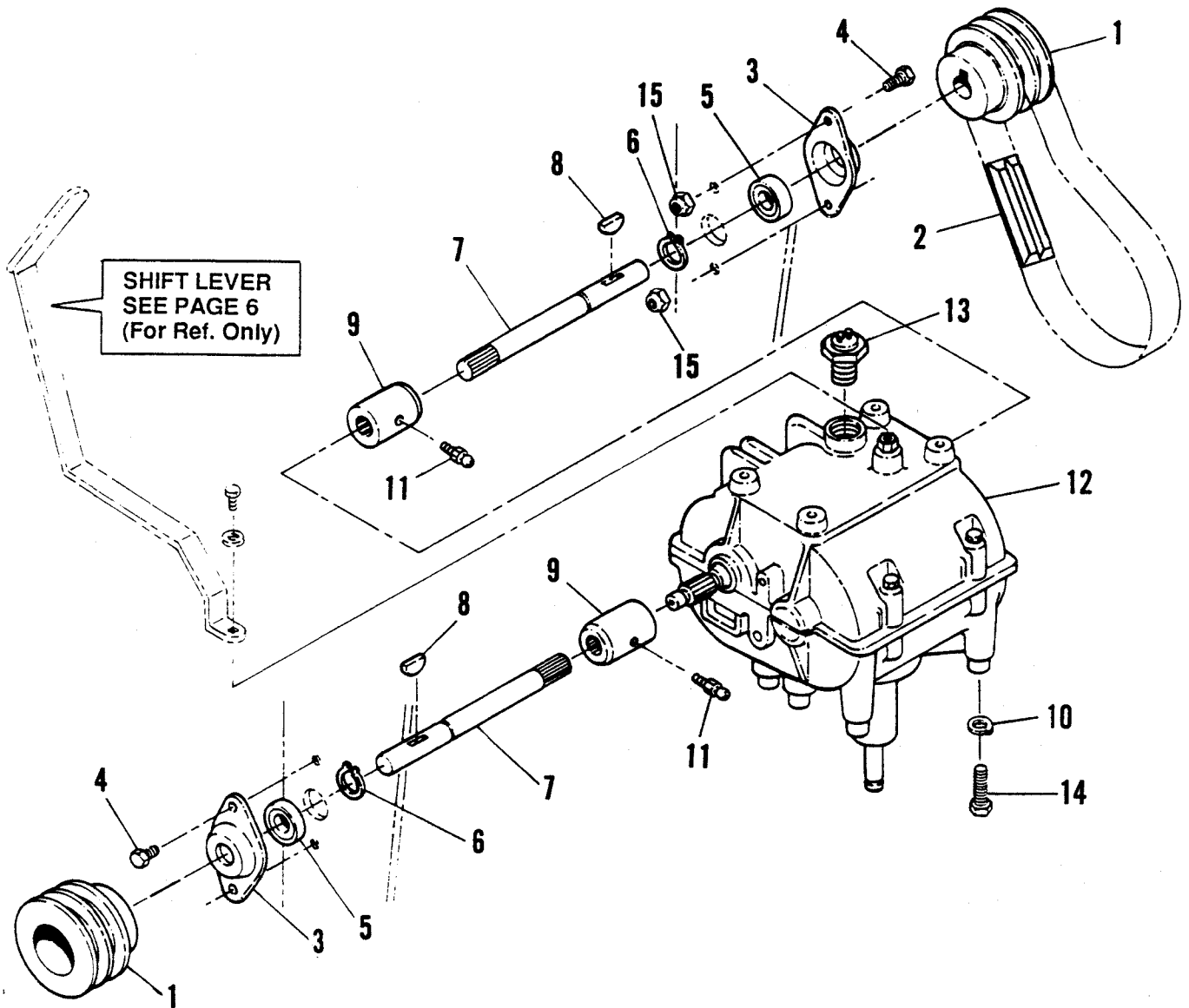
ITEM	PART NO.	DESCRIPTION
1	4-0728	REAR DECK WELDMENT
2	4-7952	AXLE WELDMENT
3	9-0563	SCREW, 3/8" C x 1", Hex, Cap (6)
4	7-6979	NUT, 3/8" C, Nyloc (6)
5	1-7532	PULLEY, Transmission
6	1-2763	SNAP RING, 5/8"
7	1-0211	KEY, Woodruff #9
8	1-9098	SWITCH, Blade
9	4-0627	SCRAPER, Wheel (2)
10	1-6561	BUSHING, Axle (4)
11	2-3381	BUSHING, Taperlock (Includes Bolts)
12	1-7033	KEY, Sq. 1/4" x 2 1/2"
13	3-8624	BELT, Engine/Deck 36" (Model PMA7360)
--	2-2541	BELT, Engine/Deck 48" (Model PMA7480)
14	1-7539	PULLEY, Engine/Transmission
15	1-7337	PULLEY, Engine/Deck
16	1-7334	BELT, Engine/Transmission
17	9-0289	NUT, 3/8" F, Hex. (2)
18	1-9078	PULLEY, Idler
19	9-1158	BOLT, 3/8C x 1-3/4" Grade 5 Carriage
20	7-6979	NUT, 3/8C Nyloc
21	3-3420	BELT GUIDE, Engine (Model PMA7360)
---	3-3428	BELT GUIDE, Engine (Model PMA7480)
22	1-2730	E-RING, 1"
23	9-0622	BOLT, 1/2" C x 1- 1/4", Hex. Flange (6)
24	9-0258	NUT, 1/2" C (6)
25	9-0254	WASHER, 1/2" Lock (6)
26	7-7873	SCREW, #12 - 14 x 1/2" Lg. Hex Flg. Self-Tapping (2)
27	9-0206	BOLT, 5/16 x 3/4" Hex (2)
28	9-0717	NUT, 5/16" Nyloc (3)
29	3-3341	BELT KEEPER
30	9-0383	BOLT, 5/16" x 1" Carriage
31	7-7680	SETSCREW, 1/4-20 x 5/16" Knurled Cup Point w/ patch lock
32	2-4288	SUPPORT, Belt (PMA7480 Models)
33	9-0496	BOLT, 1/4C x 1" Grade 2 Carriage (2) (PMA7480 Models)
34	9-0574	LOCKWASHER, 1/4" Int/External Tooth (2) (PMA7480 Models)
35	7-6978	NUT, 1/4C Nyloc (2) (PMA7480 Models)

TANK BRACKET ASSEMBLY



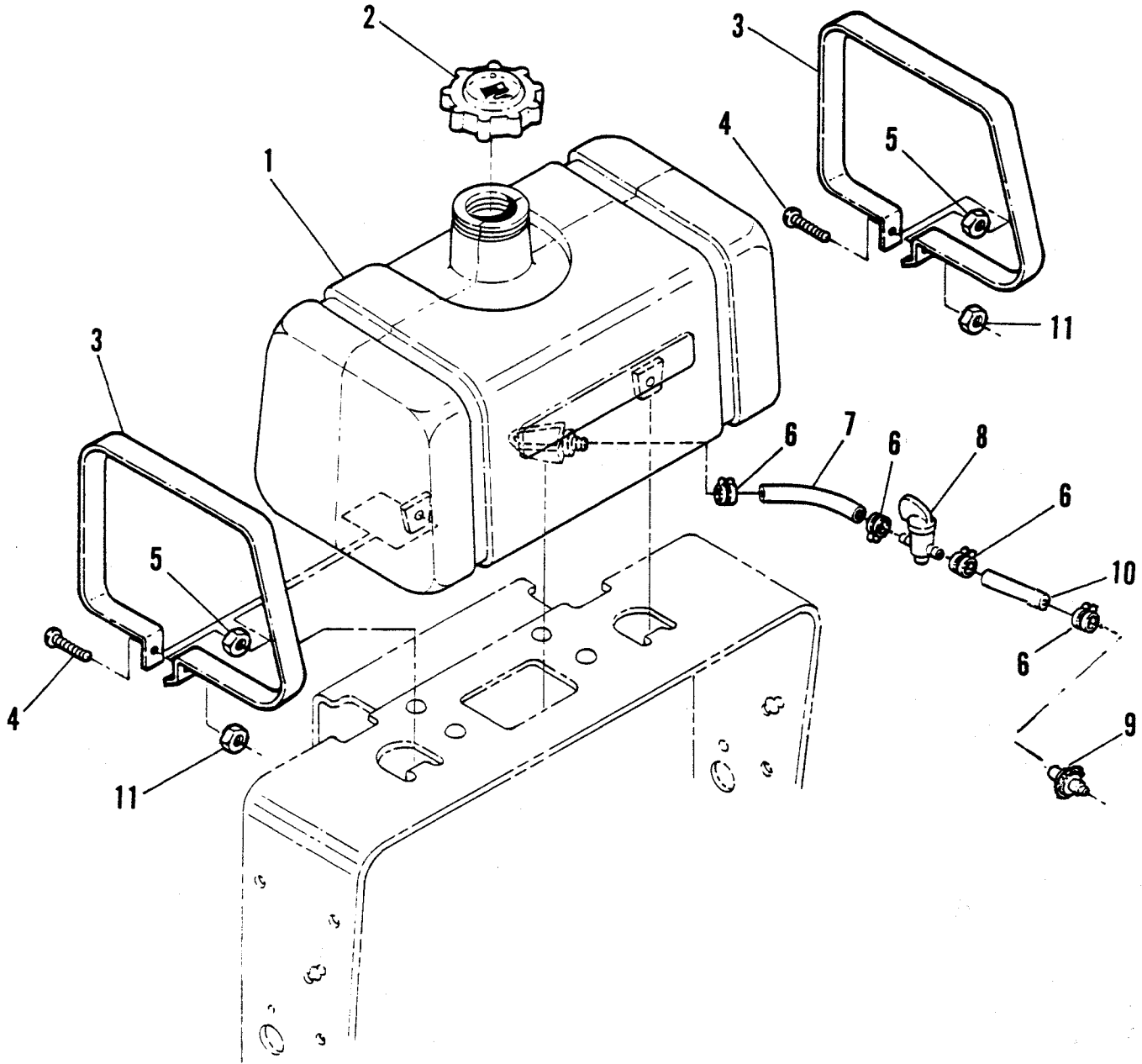
ITEM	PART NO.	DESCRIPTION
1	3-3353	TANK BRACKET
2	9-0563	SCREW, 3/8" C x 1" Lg. Hex Cap (4)
3	7-6979	NUT, 3/8" C Nyloc (10)
4	2-2421	GUIDE, Traction Belt (2)
5	9-0517	WASHER, 3/8" Flat (4)
6	9-0587	SCREW, 3/8" C x 1 1/4" Lg. Hex Cap (2)
7	3-3253	QUADRANT, Shift
8	7-6972	BOLT, 1/4" C x 3/4" Lg. Carriage (4)
9	7-6978	NUT, 1/4" C Nyloc (7)
10	2-2333	DECAL, Shift
11	4-0735	MOUNT, Bellcrank
12	4-0747	WELDMENT, Blade Bellcrank
13	7-6998	GREASE FITTING, 1/4" - 28 Str. Zerk
14	1-0739	SNAP RING, 5/8"
15	7-6972	BOLT, 1/4 - 20 x 3/4" Carriage
16	3-3250	LEVER, Shifter
17	7-6526	GRIP, Shift Lever
18	2-2849	MODULE (Kawasaki)
19	9-0053	LOCKWASHER, 1/4" Int. Tooth
20	9-0100	SCREW, 1/4" - 28 x 5/8" Lg. Hex Cap
21	9-0574	LOCKWASHER, 1/4" Int/Ext. Tooth
22	9-1049	WINGNUT, 3/8" C Nyl. Ring (4)
23	2-2251	FENDER, R.H.
24	2-2250	FENDER, L.H. (not illustrated)
25	9-0073	SCREW, 1/4" x 3/4" Lg. Hex. Cap (2)
26	2-2768	STUD, Fender Mount (2)

TRANSMISSION DRIVE ASSEMBLY



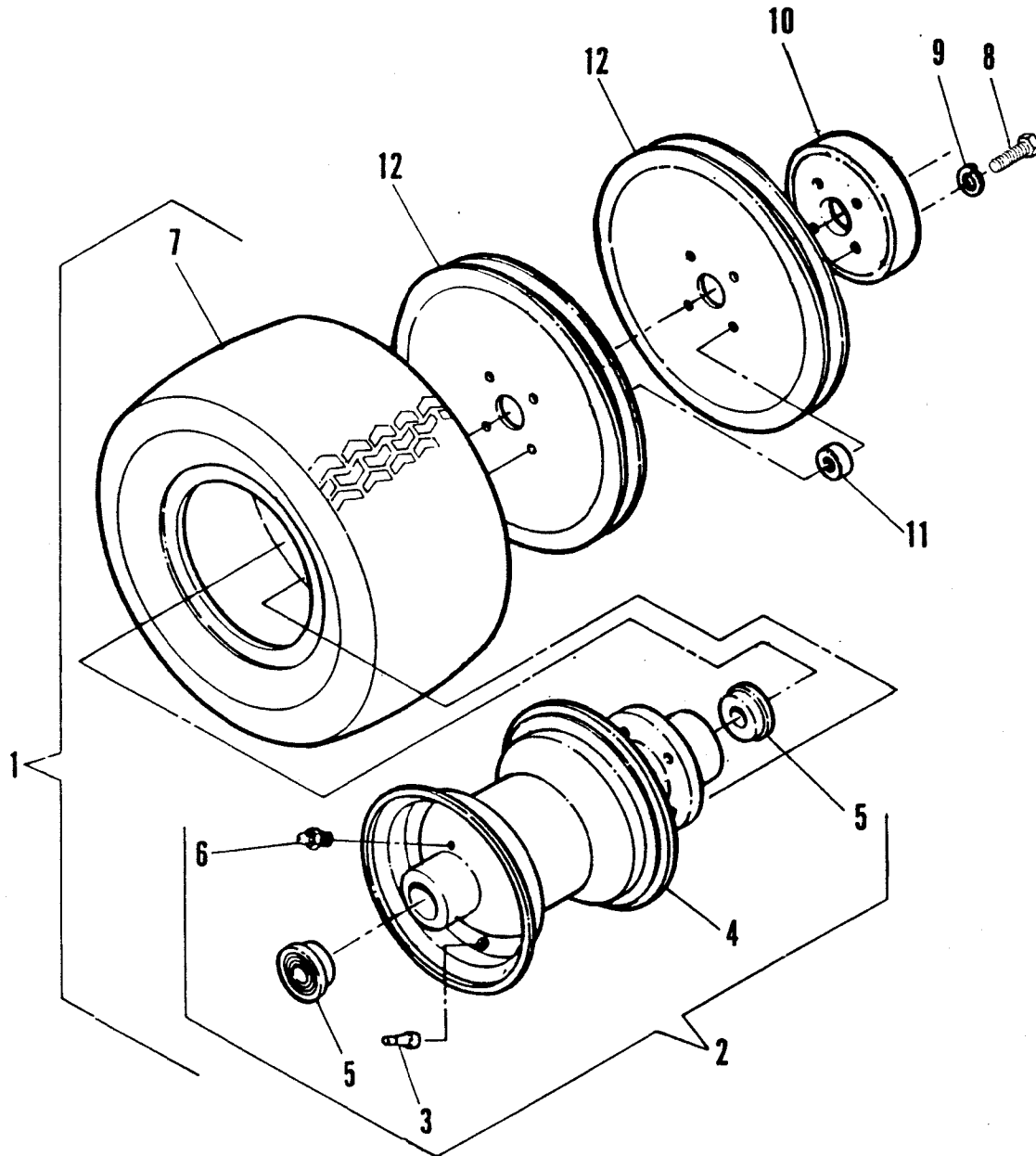
ITEM	PART NO.	DESCRIPTION
1	1-7338	PULLEY, Output (2)
2	1-7333	BELT, Traction (2)
3	1-7538	FLANGE, Output, 3/4" (2)
4	9-0073	SCREW, 1/4" -20 x 3/4" Lg. Hex. Cap (4)
5	1-4514	BEARING, Output (2)
6	1-2763	SNAP RING, 5/8" (2)
7	1-7537	SHAFT, Output (2)
8	1-0211	KEY, Woodruff #9 (2)
9	1-7536	COUPLER (2)
10	9-0187	LOCKWASHER, 5/16" (4)
11	7-6998	GREASE FITTING, 1/4" - 28 Str. Zerk (2)
12	1-7533	TRANSMISSION
13	1-6155	SWITCH, Transmission
14	7-6934	BOLT, 5/16 - 18 x 3/4 lg. (4)
15	7-6978	NUT, 1/4" C Nyloc (4)

FUEL TANK ASSEMBLY



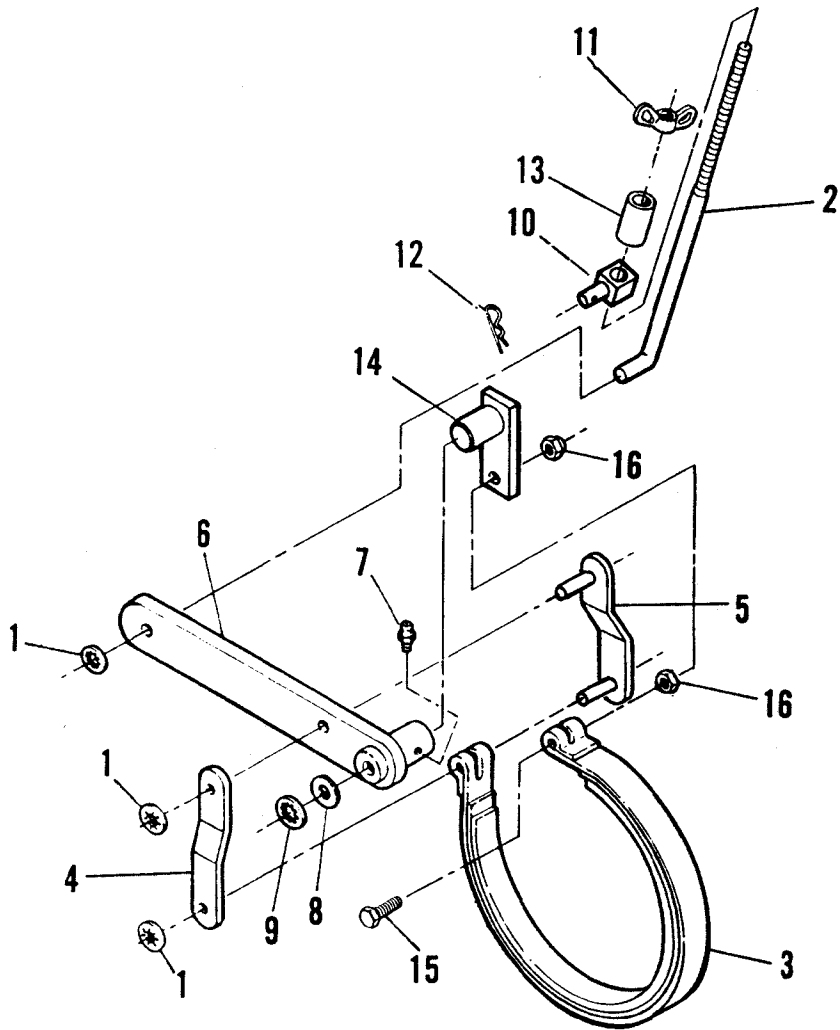
ITEM	PART NO.	DESCRIPTION
1	1-9186	TANK, Fuel (Includes Item 2)
2	1-4363	GAS CAP
3	3-2875	STRAP, Tank (2)
4	9-1052	SCREW, Machine Head Phillips, #10 - 24 x 2 (2)
5	9-1053	NUT, Keps #10 - 24 (2)
6	1-2222	HOSE, Clamp (6)
7	3-2956	FUEL LINE, 10"
8	1-6325	FUEL SHUT-OFF VALVE
9	1-4359	FILTER, In-Line (furnished by engine manufacturer)
10	7-6272	FUEL LINE, 3-1/2" (12.5HP Kawasaki) (2)
--	2-4055	FUEL LINE, 6-1/2" (14 HP Kawasaki)
11	9-0594	NUT, #10 - 24 Lock (2)

TRACTION WHEEL ASSEMBLY



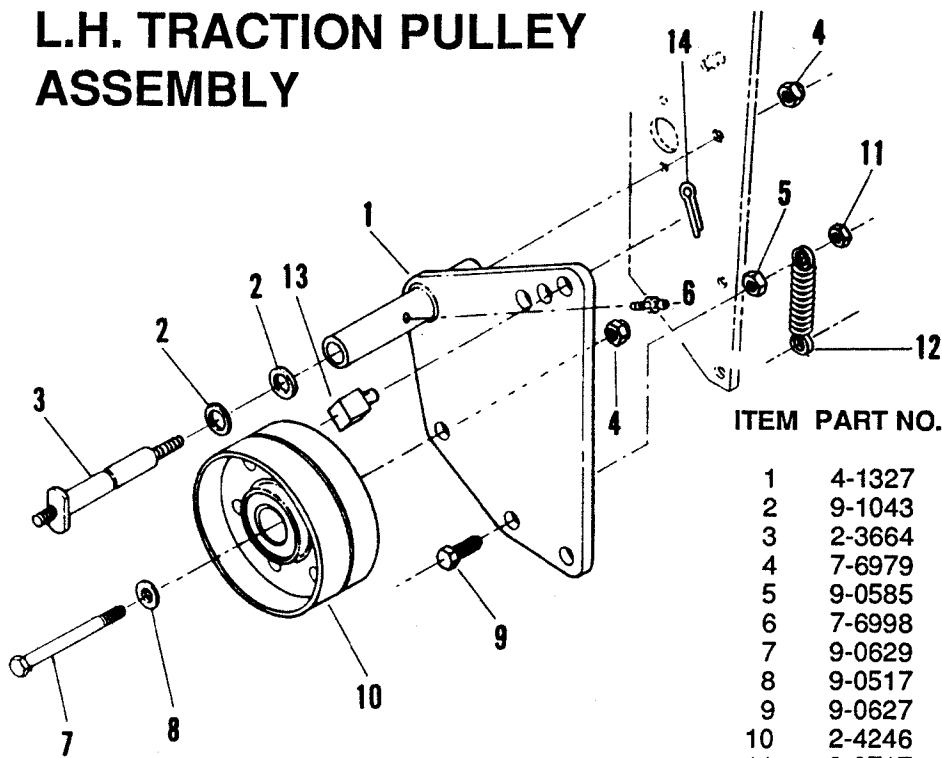
ITEM	PART NO.	DESCRIPTION
1	2-4177	WHEEL & RIM ASSEMBLY (Includes Items 2 thru 7) (2)
2	2-3518	RIM ASSEMBLY (Includes Items 3 thru 6) (2)
3	1-2234	VALVE STEM (2)
4	1-6239	RIM (2)
5	1-9169	BEARING, Wheel (4)
6	7-6998	ZERK FITTING (2)
7	2-4176	TIRE, 6.50 x 13 - 6, 2 Ply, Tubeless (2)
8	7-6935	SCREW, Hex Head Cap, 5/16" - 2 x 1-1/2" (8)
9	9-0187	WASHER, Lock, 5/16" (8)
10	2-3516	DRUM, Brake (2)
11	2-3515	SPACER (8)
12	1-7531	PULLEY, 8" (4)

BRAKE ASSEMBLY



ITEM	PART NO.	DESCRIPTION
1	1-3946	RETAINER, 3/8" (6)
2	1-6886	ROD, Brake (2)
3	1-7048	BAND, Brake, 6" (2)
4	3-2903	PLATE, Brake Link (2)
5	4-0622	LINK, Brake (2)
6	4-1020	BRAKE, Lever (2)
7	7-6998	ZERK, 1/4 - 28, Straight (2)
8	9-1043	BUSHING, Machinery, 5/8" (2)
9	9-1040	RETAINER, 5/8" (2)
10	1-7780	SWIVEL, Brake Link (2)
11	9-1049	WING NUT, 3/8" C, Nylon Lock (2)
12	9-0038	PIN, 3/32" x 1" Cotter (2)
13	2-4095	SPACER (2)
14	4-0711	BRAKE STUD WLD (2)
15	9-0588	BOLT, 3/8" - 16 x 2", Hex (2)
16	9-0130	NUT, 3/8 C, Hex (4)

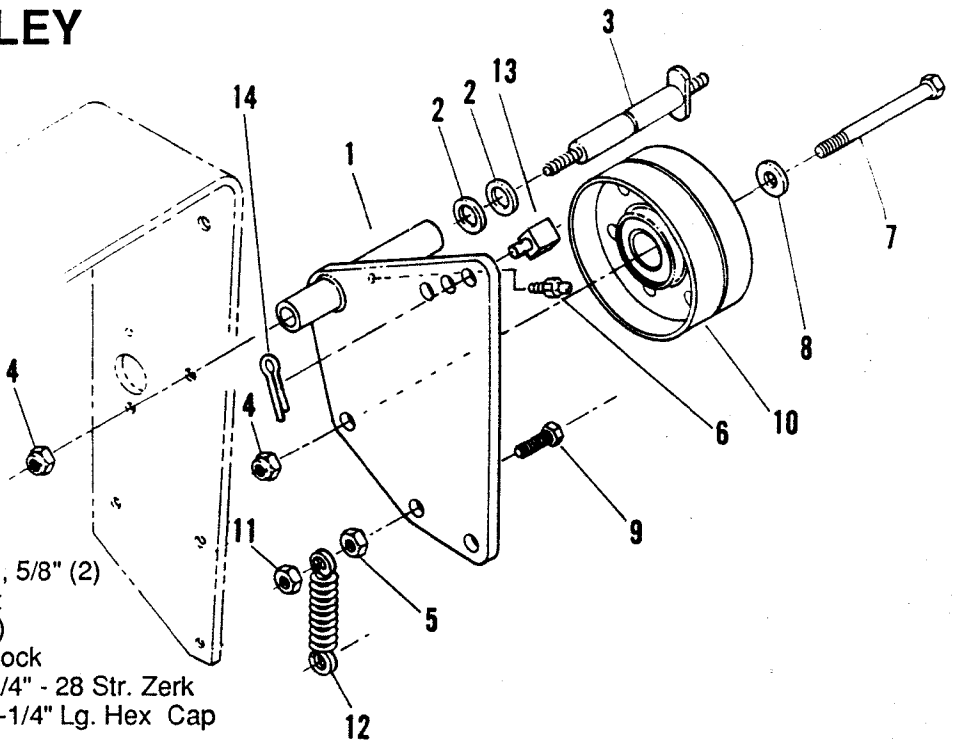
L.H. TRACTION PULLEY ASSEMBLY



ITEM PART NO. DESCRIPTION

1	4-1327	ARM, Traction L.H.
2	9-1043	MACHINE BUSHING, 5/8" (2)
3	2-3664	STUD, Fender Mount
4	7-6979	NUT, 3/8" - 16 Nyloc (2)
5	9-0585	NUT, 5/16" Flange Lock
6	7-6998	GREASE FITTING, 1/4" - 28 Str. Zerk
7	9-0629	SCREW, 3/8" - 16 x 2-1/4" Lg. Hex. Cap
8	9-0517	FLATWASHER, 3/8"
9	9-0627	BOLT, 5/16 - 18 x 1-1/4" Hex
10	2-4246	PULLEY, Idler 4.0
11	9-0717	NUT, 5/16"
12	1-6158	SPRING, Traction
13	1-7516	SWIVEL, Traction Rod (Loop Handle)
--	2-4270	SWIVEL, Trction Rod (Pistol Grip Handle)
14	9-0038	PIN, 3/32 x 1" Cotter

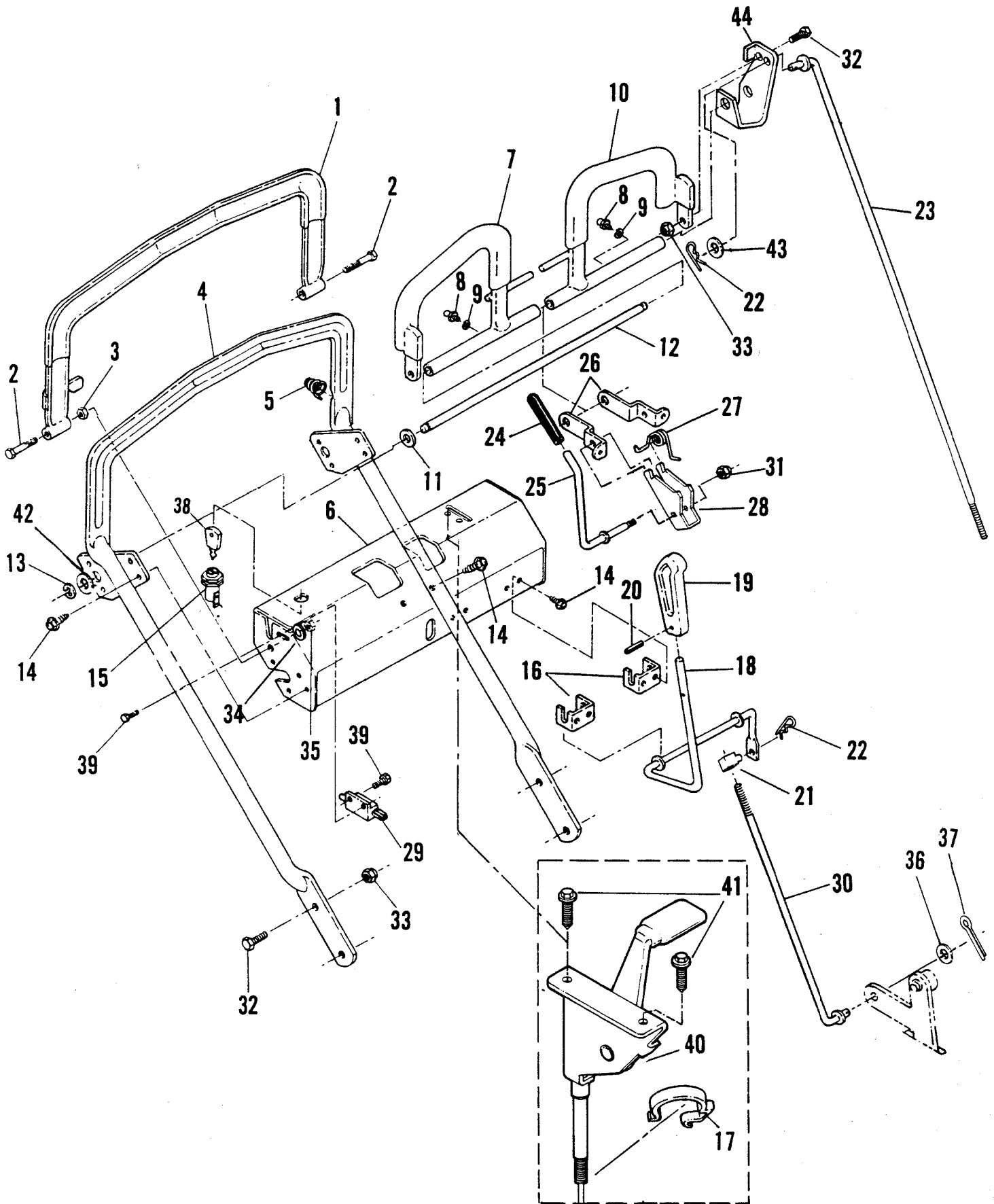
R.H. TRACTION PULLEY ASSEMBLY



ITEM PART NO. DESCRIPTION

1	4-1326	ARM, Traction R.H.
2	9-1043	MACHINE BUSHING, 5/8" (2)
3	2-3664	STUD, Fender Mount
4	7-6979	NUT, 3/8" C Nyloc (2)
5	9-0585	NUT, 5/16C Flange Lock
6	7-6998	GREASE FITTING, 1/4" - 28 Str. Zerk
7	9-0629	SCREW, 3/8" - 16 x 2-1/4" Lg. Hex Cap
8	9-0517	FLATWASHER, 3/8"
9	9-0627	BOLT, 5/16 - 18 x 1-1/4" Hex
10	2-4246	PULLEY, Idler 4.0
11	9-0717	NUT, 5/16"
12	1-6158	SPRING, Traction
13	1-7516	SWIVEL, Traction Rod (Loop Handle)
--	2-4270	SWIVEL, Traction Rod (Pistol Grip Handle)
14	9-0038	PIN, 3/32 x 1" Cotter

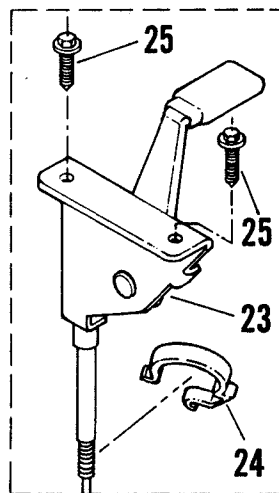
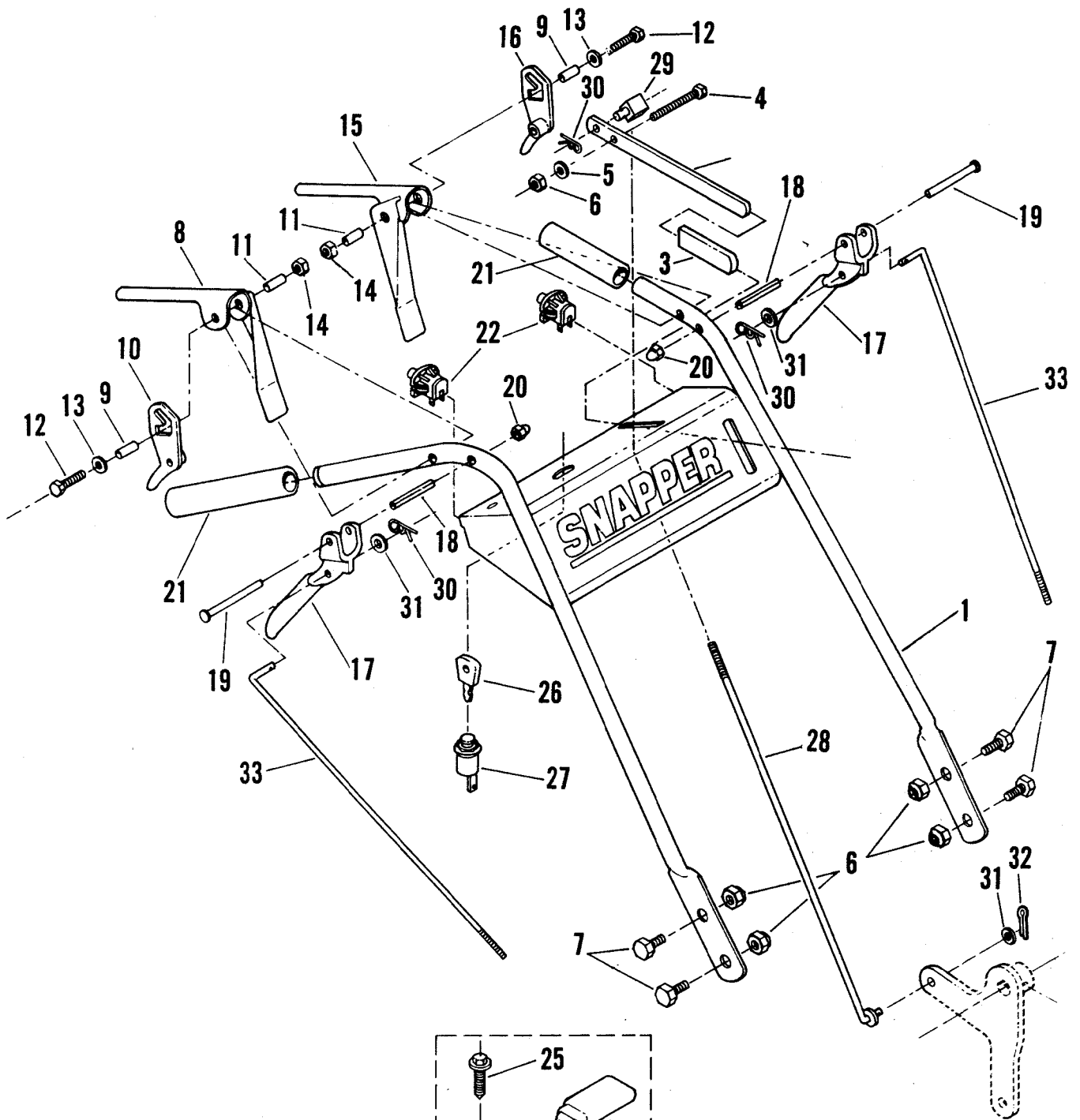
LOOP HANDLE & CONTROL ASSEMBLIES



LOOP HANDLE & CONTROL ASSEMBLIES

ITEM	PART NO.	DESCRIPTION
1	1-7162	OPC BAIL (W/Grip)
2	9-1003	BOLT, 1/4" - 20 x 1 3/4" Lg. Hex (2)
3	9-0977	NUT, 1/4" - 20 Hex J (2)
4	4-0743	HANDLE, Loop
5	1-7154	SPRING, Conical
6	2-4194	CONSOLE, Control
7	2-2741	TRACTION LEVER, R.H.
8	7-6998	GREASE FITTING, 1/4" - 28 Str. Zerk (2)
9	9-0053	LOCKWASHER, 1/4" Int. Tooth (2)
10	2-2740	TRACTION LEVER, L.H.
11	9-0250	WASHER, 1/2" Flat
12	2-2166	ROD, Pivot
13	1-4341	E-RING, 1/2" (2)
14	9-1122	SCREW, 1/4" - 20 x 1/2" Lg. Hex. Wshr. Self-Tap (Black) (14)
15	1-5211	SWITCH, "ON-OFF" (Includes Key)
16	3-3200	BRACKET, Lever Mounting (2)
17	1-1709	CLIP, Cable
18	1-7649	LEVER, Blade Engagement
19	1-9376	KNOB
20	9-0844	PIN, 3/16" x 3/4" Lg. Roll
21	1-7516	SWIVEL
22	1-6231	PIN, #13 Hair (2)
23	1-7371	ROD, Traction (2)
24	1-1879	GRIP, Neutral Latch
25	1-7322	LEVER, Neutral Latch
26	3-3193	BRACKET, Neutral Mounting (2)
27	1-7323	SPRING, Neutral
28	3-3479	LATCH
29	1-9098	SWITCH (OPC)
30	1-7319	ROD, Blade Clutch (Loop Handle)
31	7-6978	LOCKNUT, 1/4" Nyloc
32	9-0563	BOLT, 3/8" x 1" Lg. Hex., Gr. 5 (4)
33	7-6979	NUT, 3/8" Nyloc (4)
34	9-0598	WASHER, 1/4" Flat (2)
35	7-6978	NUT, 1/4" - 20 Nyloc (2)
36	9-0517	WASHER, 3/8" Flat (3)
37	9-0038	PIN, 3/32" x 1" Cotter
38	2-3504	KEY (with cover)
39	7-7873	SCREW, #12-14 x 1/2" Hex Flange Self-tap (2)
40	2-2354	CONTROL, Throttle
41	9-0307	SCREW, #10 - 24 x 1/2" Hex. Self-Tapping (2)
42	9-1030	BUSHING, 1/2" Machine (2)
43	1-3763	SPACER (2)
44	3-3615	BRACE, Handle - LH
--	3-3616	BRACE, Handle - RH

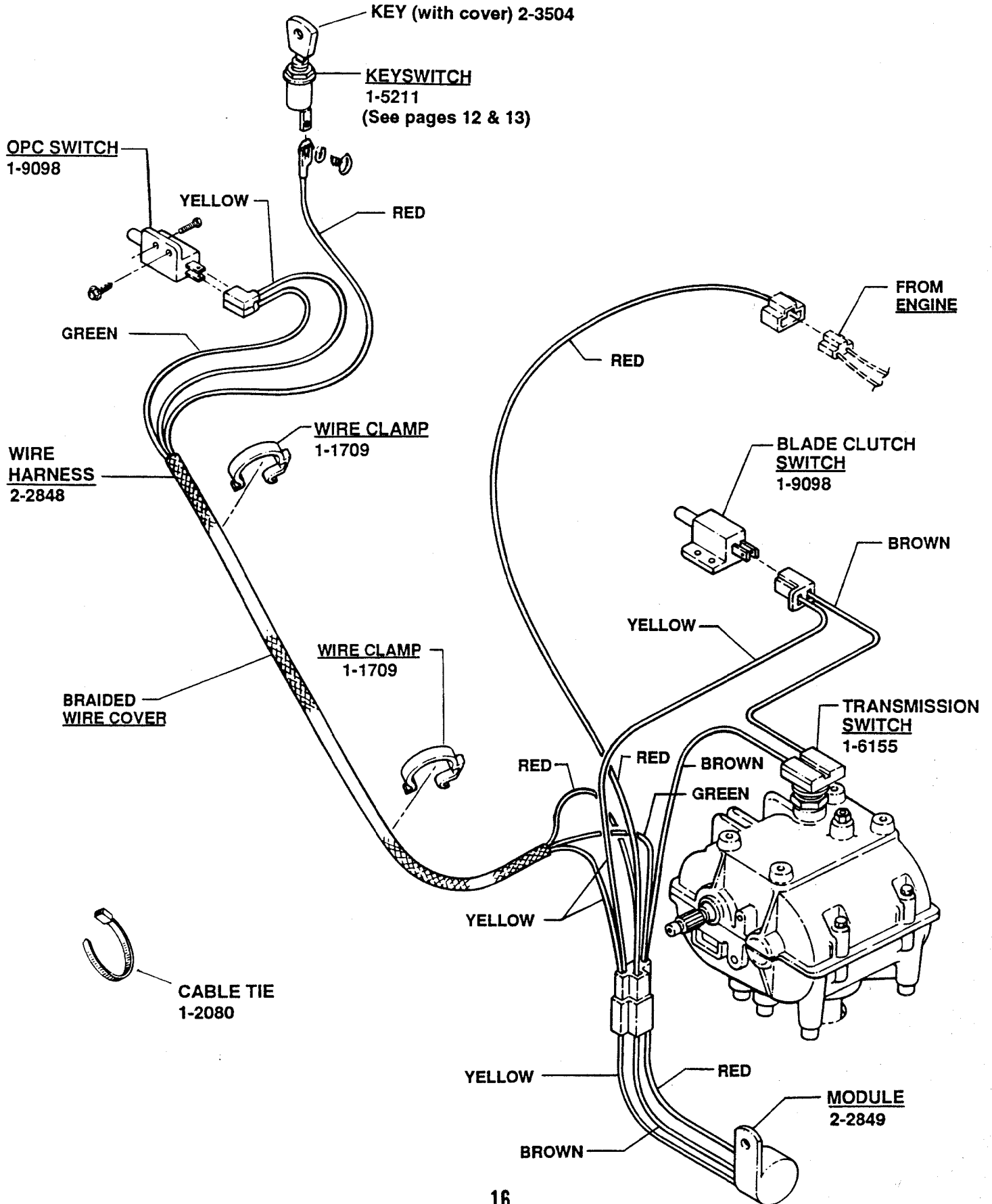
PISTOL GRIP HANDLE & CONTROL ASSEMBLIES



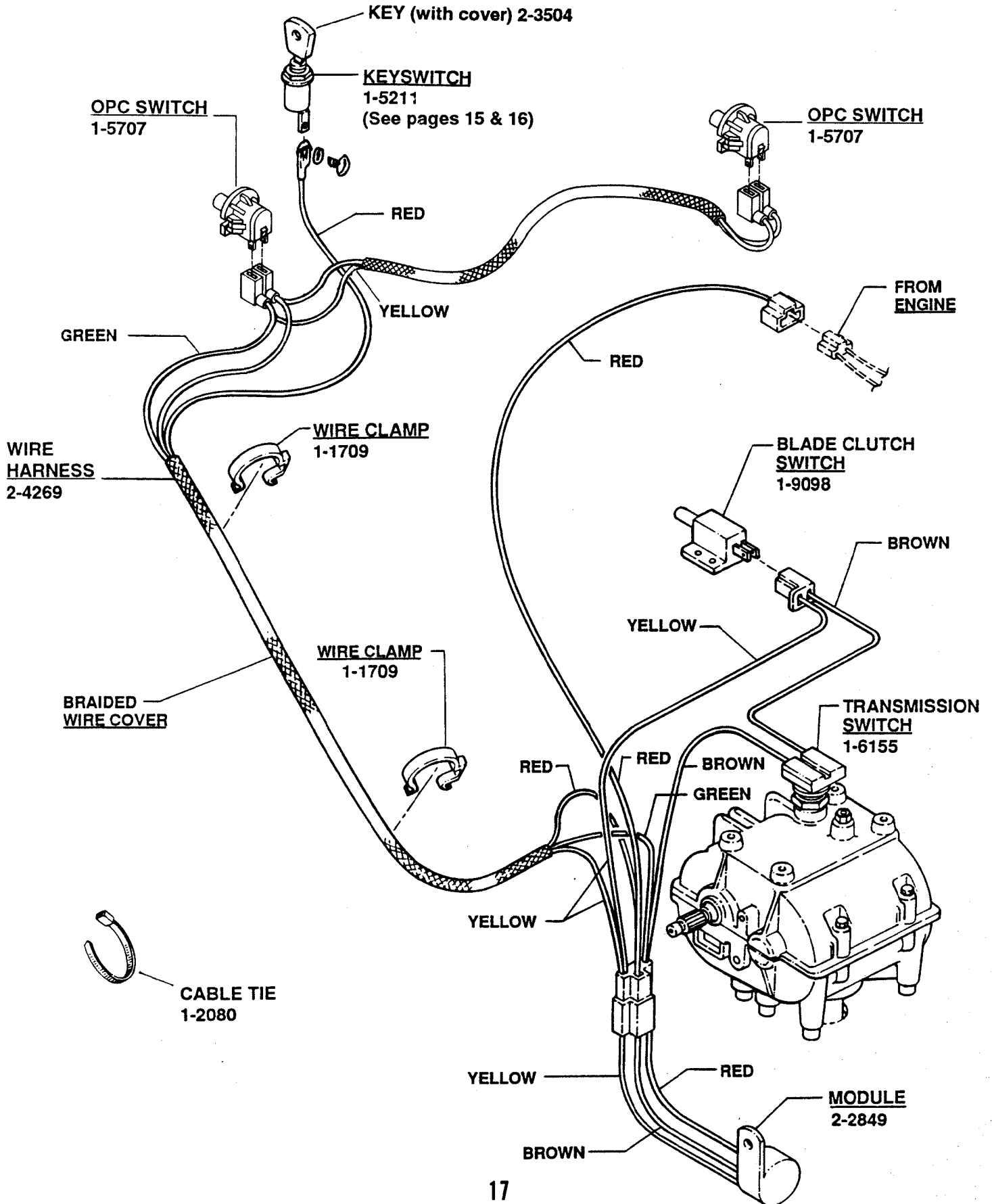
PISTOL GRIP HANDLE & CONTROL ASSEMBLIES

ITEM	PART NO.	DESCRIPTION
1	4-1147	HANDLE, Pistol Grip
2	3-3550	LEVER, Blade Engagement
3	7-6526	GRIP, Lever
4	9-0590	BOLT, 3/8-16 x 3" Hex
5	9-0250	WASHER, 3/8" Flat
6	7-6979	NUT, 3/8-16 Nyloc (5)
7	9-0563	BOLT, 3/8-16 x 1" Hex Grade 5 (4)
8	4-1317	OPC, Pistol Grip R.H.
9	2-4079	SPACER, OPC (2)
10	4-1320	LATCH, R.H.
11	2-4129	SPACER, Brake (2)
12	9-0971	SCREW, 1/4-20 x 2-3/4" Hex Cap (2)
13	9-0055	WASHER, 1/4" Flat (2)
14	9-0761	NUT, 1/4-20 Hex Lock (2)
15	4-1318	OPC, Pistol Grip L.H.
16	4-1319	LATCH, L.H.
17	7-7870	LEVER, Drive (with grip) (2)
18	2-3313	PIN, Roll (2)
19	1-4733	PIN, 3/16 x 1-3/4" Clevis (2)
20	1-4734	NUT, 3/16" Push (2)
21	2-4127	GRIP, Handle (2)
22	1-5707	SWITCH, OPC (2)
23	2-2354	CONTROL, Throttle
24	1-1709	CLIP, Throttle
25	9-0307	SCREW, #10C x 1/2" Hex Washer Self-Tap. (2)
26	2-3504	KEY, (with cover)
27	1-5211	SWITCH, ON-OFF
28	2-4099	ROD, Blade Clutch (Pistol Grip Handle)
29	1-7516	SWIVEL
30	1-6231	PIN, #13 Hair (3)
31	9-0517	WASHER, 3/8" Flat
32	9-0038	PIN, 3/32 x 1" Cotter
33	2-4100	ROD, Traction (2)

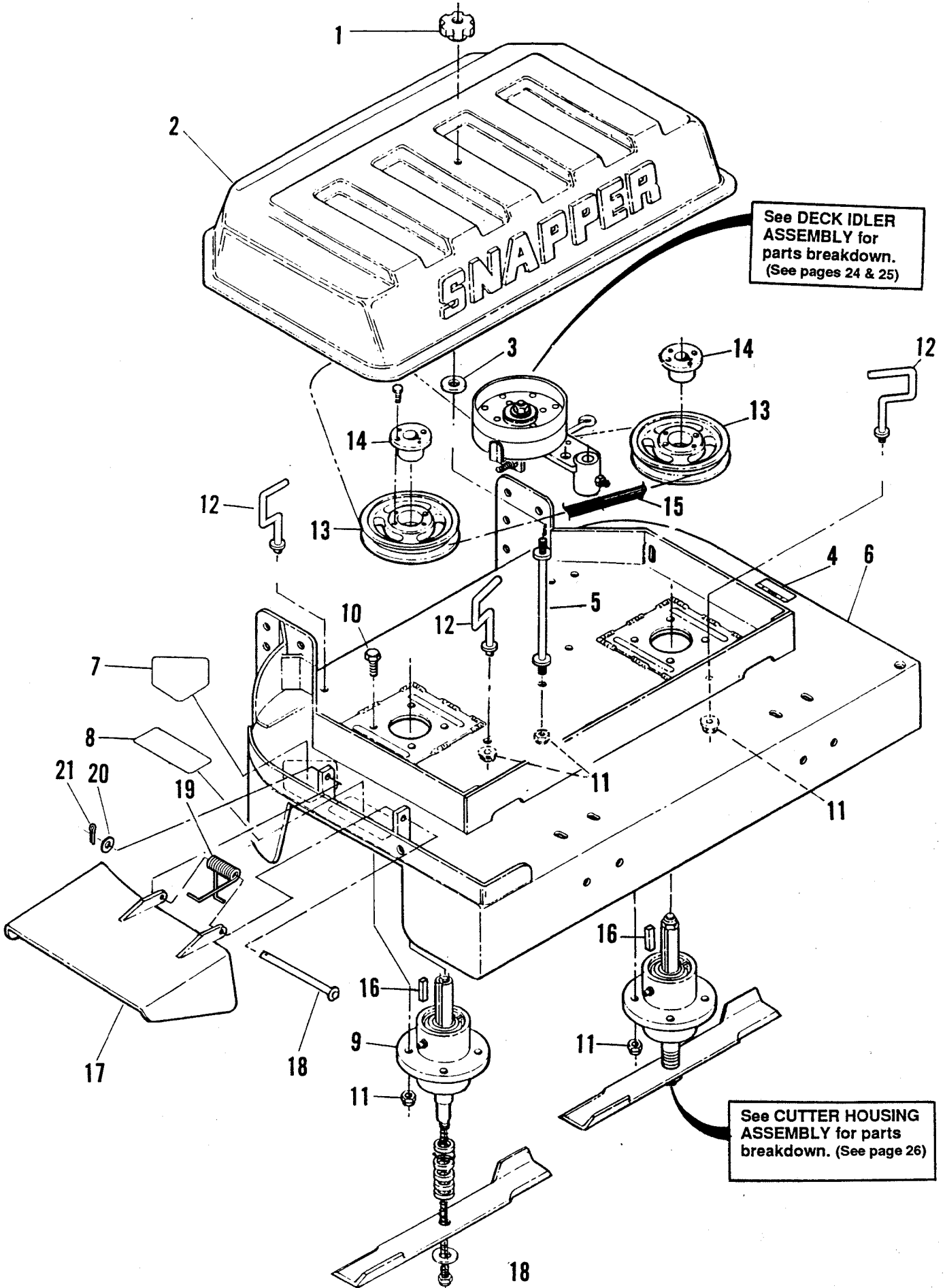
ELECTRICAL COMPONENTS - LOOP HANDLE



ELECTRICAL COMPONENTS - PISTOL GRIP HANDLE



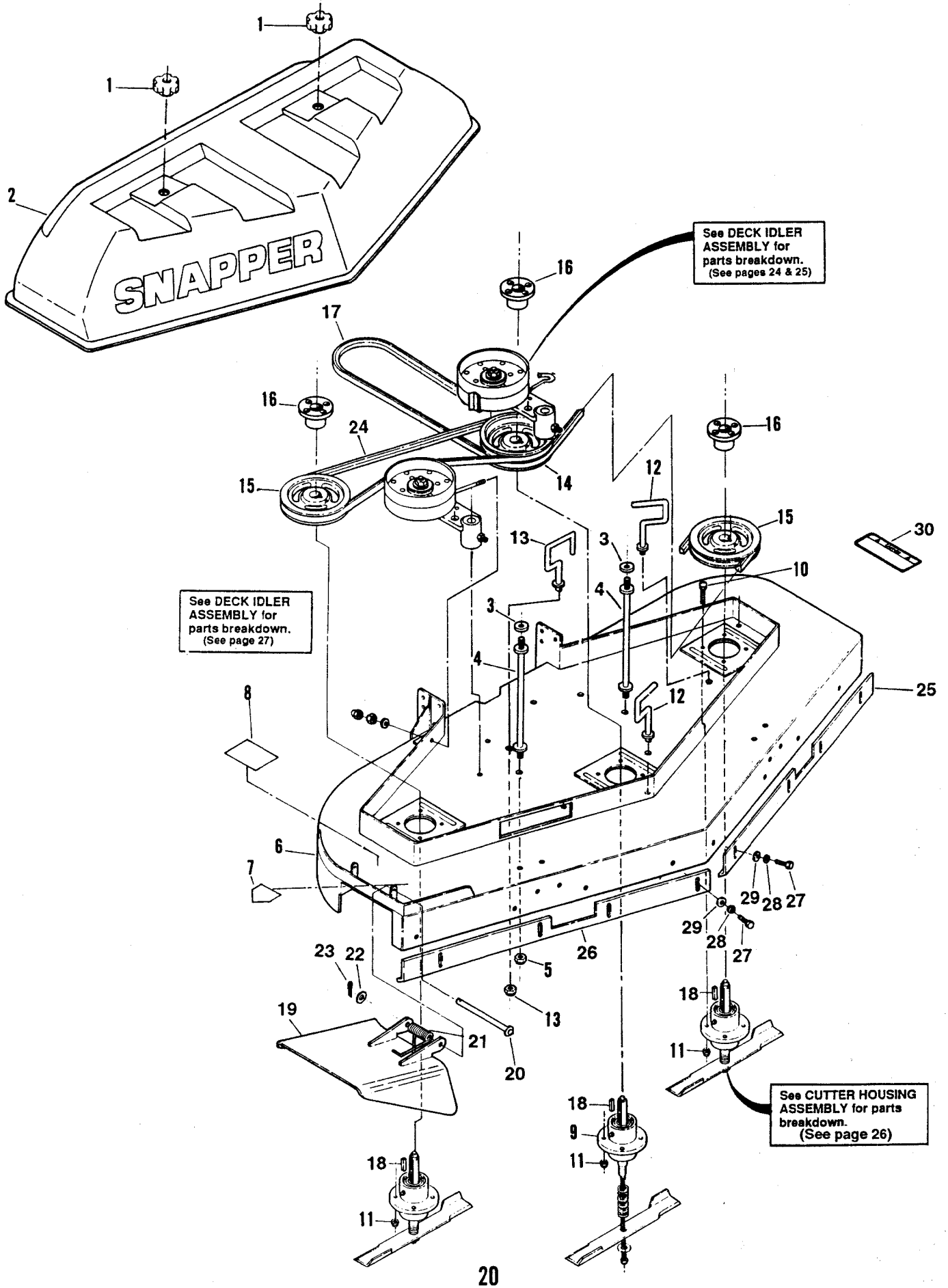
36" MOWER DECK ASSEMBLY (PMA7360)



36" MOWER DECK ASSEMBLY (PMA7360)

ITEM	PART NO.	DESCRIPTION
1	2-3735	KNOB
2	1-7812	HOOD, Model PMA7360
3	9-1047	BUSHING
4	2-4156	DECAL, "Caution"
5	2-2890	STUD, Hood Mount
6	4-0957	DECK WELDMENT, 36"
7	1-3010	DECAL, "Danger"
8	2-2522	DECAL, "Caution"
9	5-2457	ASSEMBLY, Cutter Housing (2)
10	7-6941	SCREW, 3/8-16 x 1-1/4" Hex Head Cap (7)
11	7-6979	NUT, 3/8-16 Hex Nyloc (11)
12	3-3417	GUIDE, Belt (3)
13	1-7336	PULLEY, Cutter Blade Drive (2)
14	2-3381	BUSHING, Taperlock (2)
15	3-8624	BELT, 36" Deck
16	1-7033	KEY, Spindle (2)
17	4-1321	DEFLECTOR, 36" Chute
18	2-4124	ROD, Chute Pivot
19	2-4125	SPRING, Chute
20	9-0188	WASHER, 5/16" Flat
21	9-0038	PIN, 3/32" x 1" Cotter

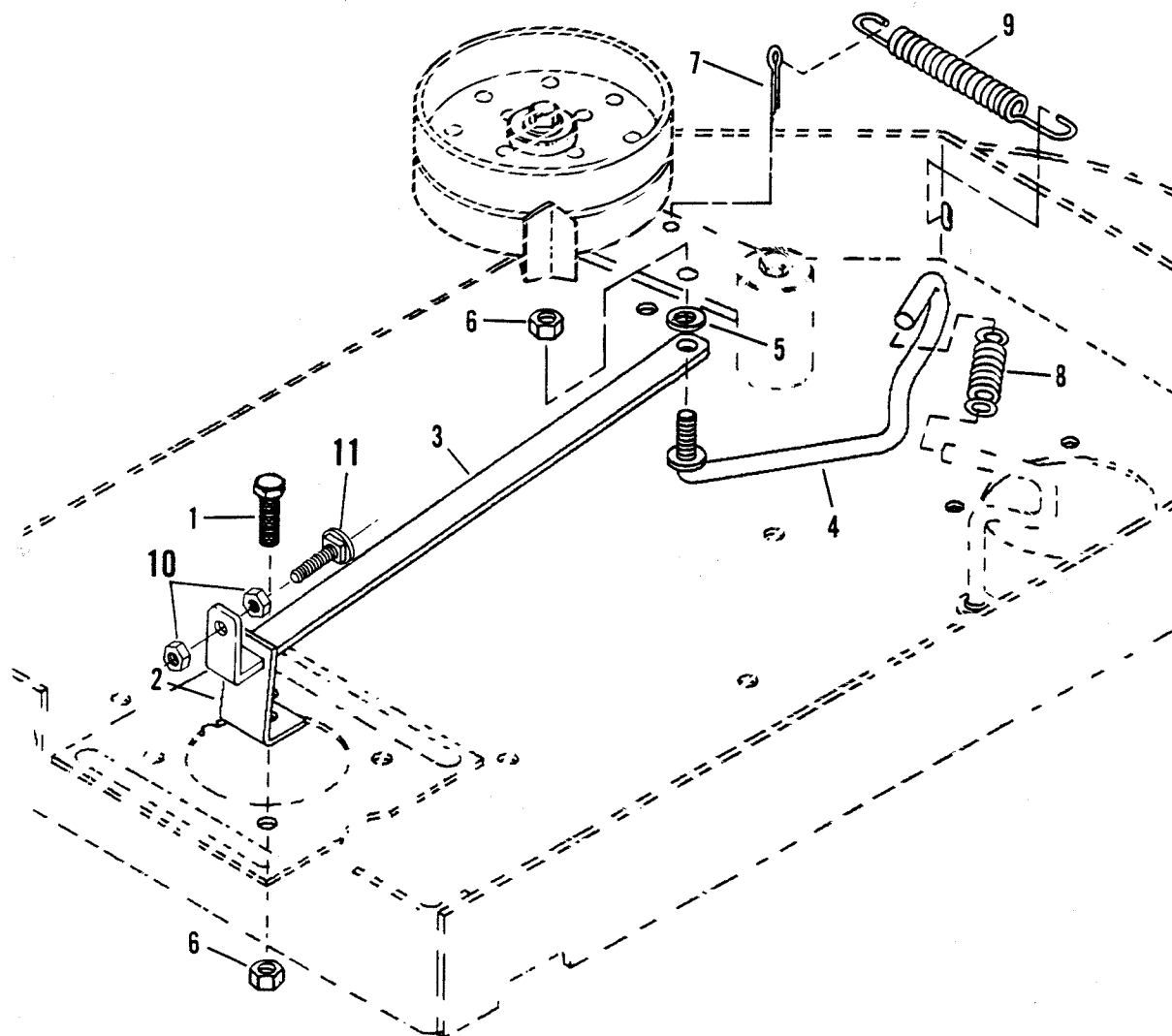
48" MOWER DECK ASSEMBLY (PMA7480)



48" MOWER DECK ASSEMBLY (PMA7480)

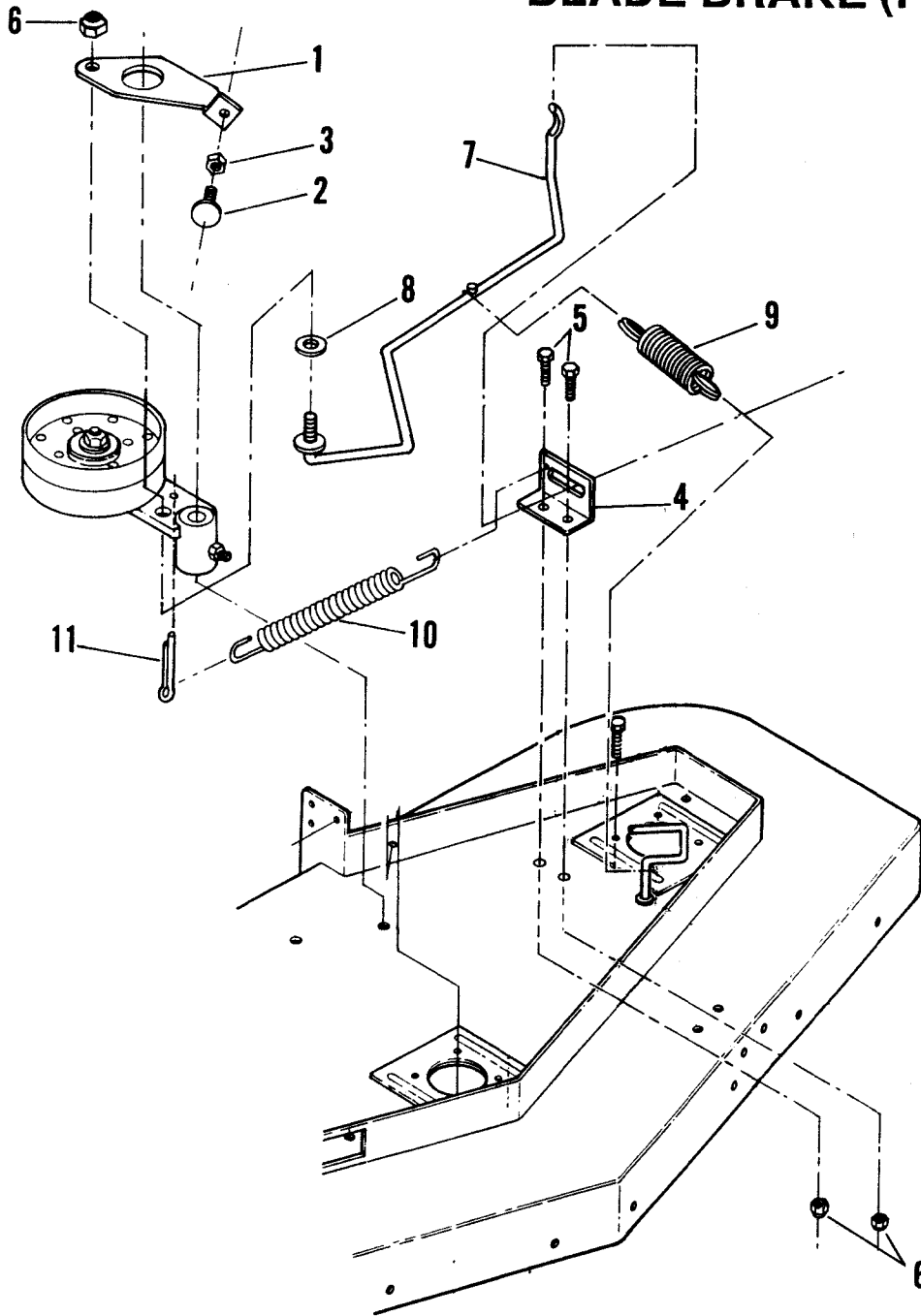
ITEM	PART NO.	DESCRIPTION
1	2-3735	KNOB (2)
2	1-7874	HOOD, Model PMA7480
3	9-1047	BUSHING (2)
4	2-2890	STUD, Hood Mount (2)
5	7-6979	NUT, 3/8C Nyloc (2)
6	4-0980	DECK WELDMENT, 48"
7	1-3010	DECAL, "Danger"
8	2-2522	DECAL, "Caution"
9	5-2457	ASSEMBLY, Cutter Housing (3)
10	7-6941	SCREW, 3/8-16 x 1-1/4" Hex Head Cap (12)
11	7-6979	NUT, 3/8-16 Hex Nyloc (15)
12	3-3417	GUIDE, Belt (2)
13	2-4285	GUIDE, Belt (1)
14	1-7337	PULLEY, Cutter Blade Drive (Double Groove)
15	1-7336	PULLEY, Cutter Blade Drive (2)
16	2-3381	BUSHING, Taperlock (3)
17	2-2541	BELT, Engine/Deck 48"
18	1-7033	KEY, Spindle (3)
19	4-0659	DEFLECTOR, 48" Chute
20	2-4124	ROD, Chute Pivot
21	2-4125	SPRING, Chute
22	9-0188	WASHER, 5/16" Flat
23	9-0338	PIN, 3/32 x 1" Cotter
24	1-9205	BELT, Blade/Blade 48"
25	3-2957	SKIRT, Front L.H. 48"
26	3-2958	SKIRT, Front R.H. 48"
27	9-1086	SCREW, 3/8C x 3/4" Grade 5 Hex Cap (8)
28	9-0118	LOCKWASHER, 3/8" Split (8)
29	9-1047	WASHER, 3/8" Flat (8)
30	2-4156	DECAL, "Caution"

BLADE BRAKE (PMA7360)



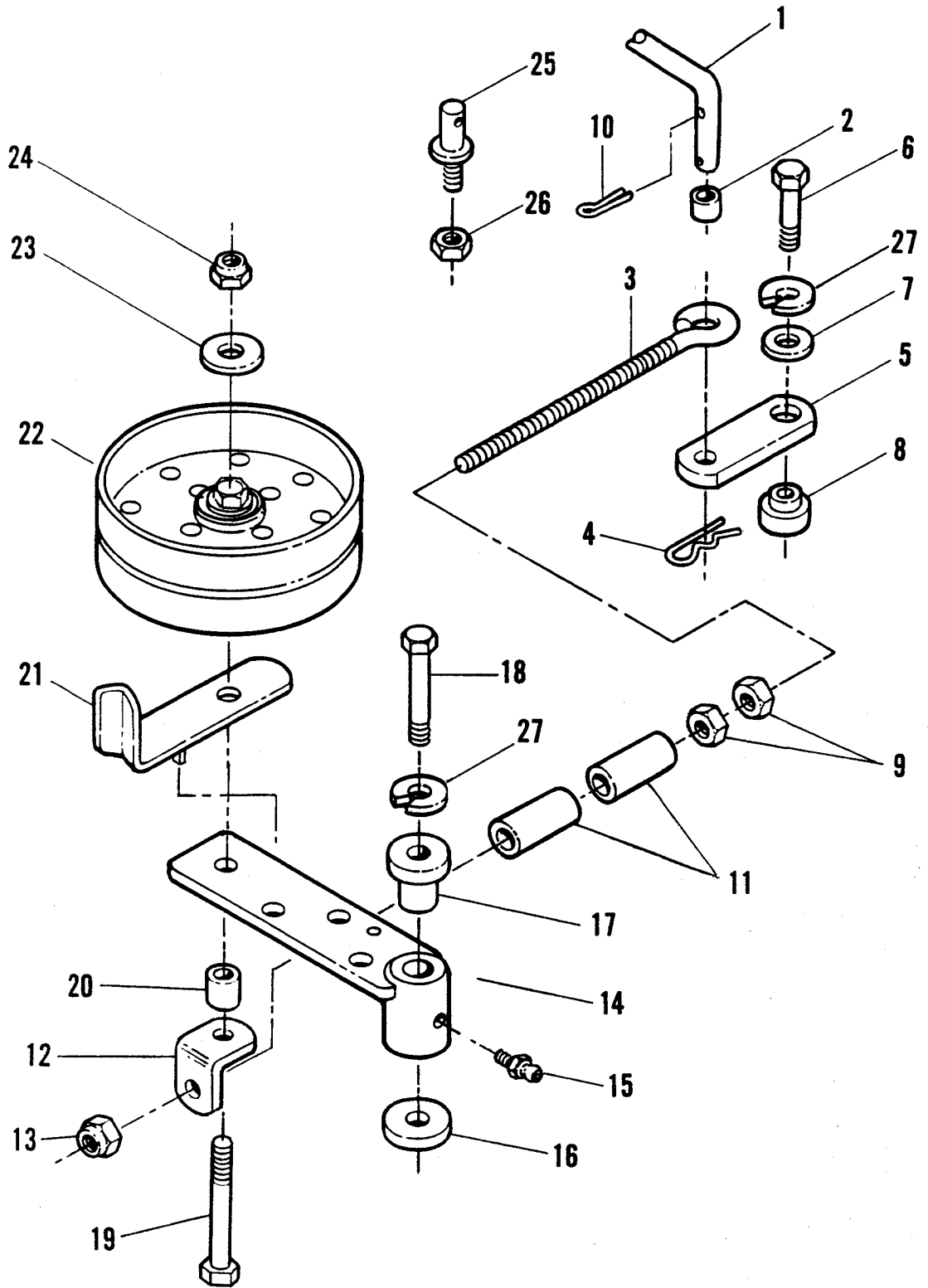
ITEM	PART NO.	DESCRIPTION
1	9-0655	SCREW, 3/8-16 x 1-1/2" Hex Cap
2	3-3452	BRACKET, Brake
3	3-3453	ARM, Brake
4	3-3454	GUIDE, Brake Belt
5	1-7855	WASHER, 3/8" Spring
6	7-6979	NUT, 3/8-16 Hex Nyloc (2)
7	9-0357	PIN, Cotter
8	1-6158	SPRING, Traction
9	2-2433	SPRING, Idler Return
10	9-0197	NUT, 5/16C Hex Jam (2)
11	9-0978	BOLT, 5/16C x 1-1/4" Grade 2 Carriage

BLADE BRAKE (PMA7480)



ITEM	PART NO.	DESCRIPTION
1	2-4254	ARM, Brake 48"
2	9-0978	BOLT, 5/16C x 1-11/4" Grade 2 Carriage
3	9-0197	NUT, 5/16C Hex Jam
4	3-3491	BRACKET, Brake
5	9-1086	SCREW, 3/8C x 3/4" Grade 5 Hex Cap (2)
6	7-6979	NUT, 3/8C Nyloc (3)
7	2-4255	BELT GUIDE, Brake
8	1-7855	WASHER, 3/8" Wave
9	1-6158	SPRING, Traction
10	1-2264	SPRING, Idler Return
11	9-0357	PIN, 3/16 x 3/4"

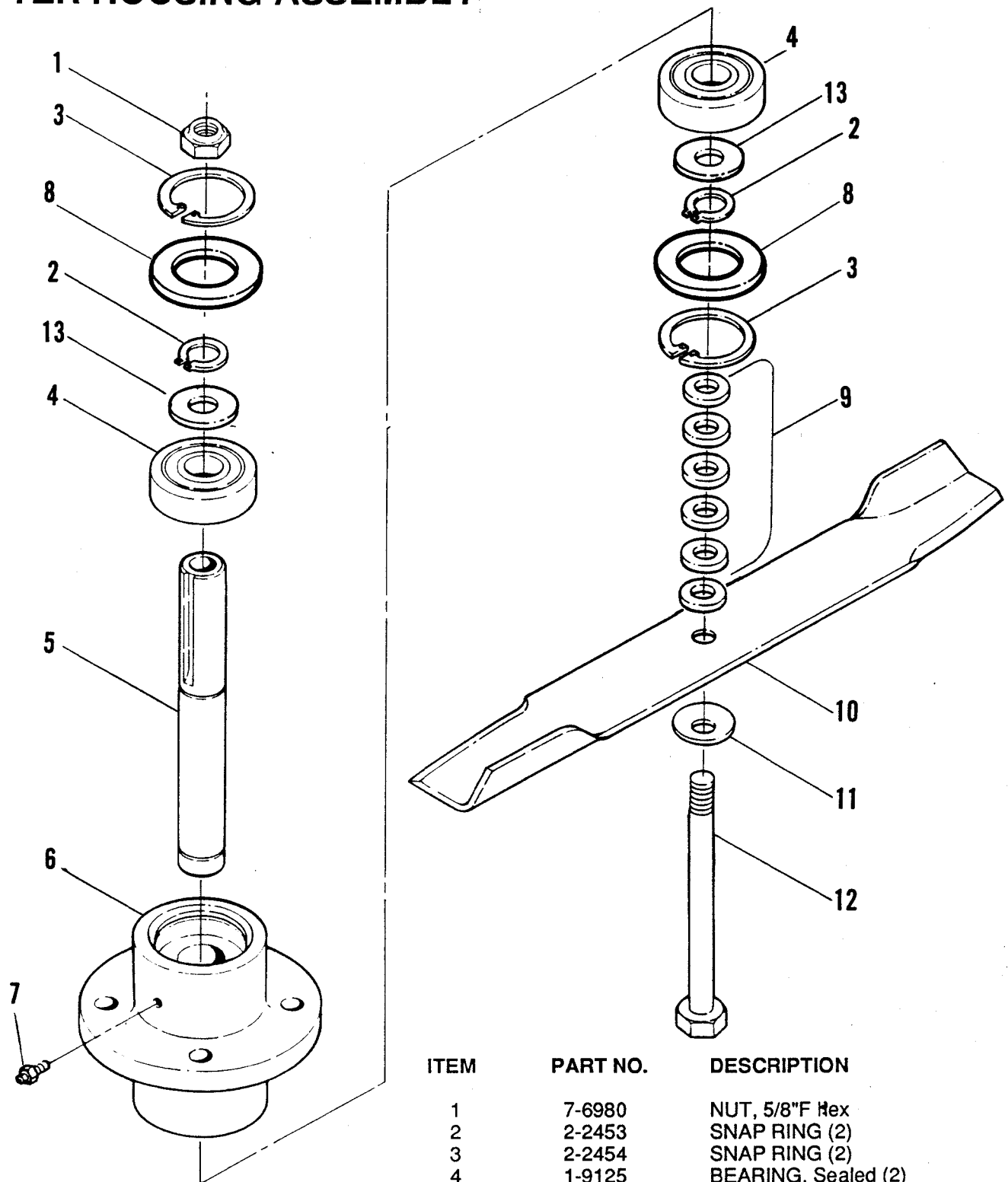
DECK IDLER ASSEMBLY



DECK IDLER ASSEMBLY

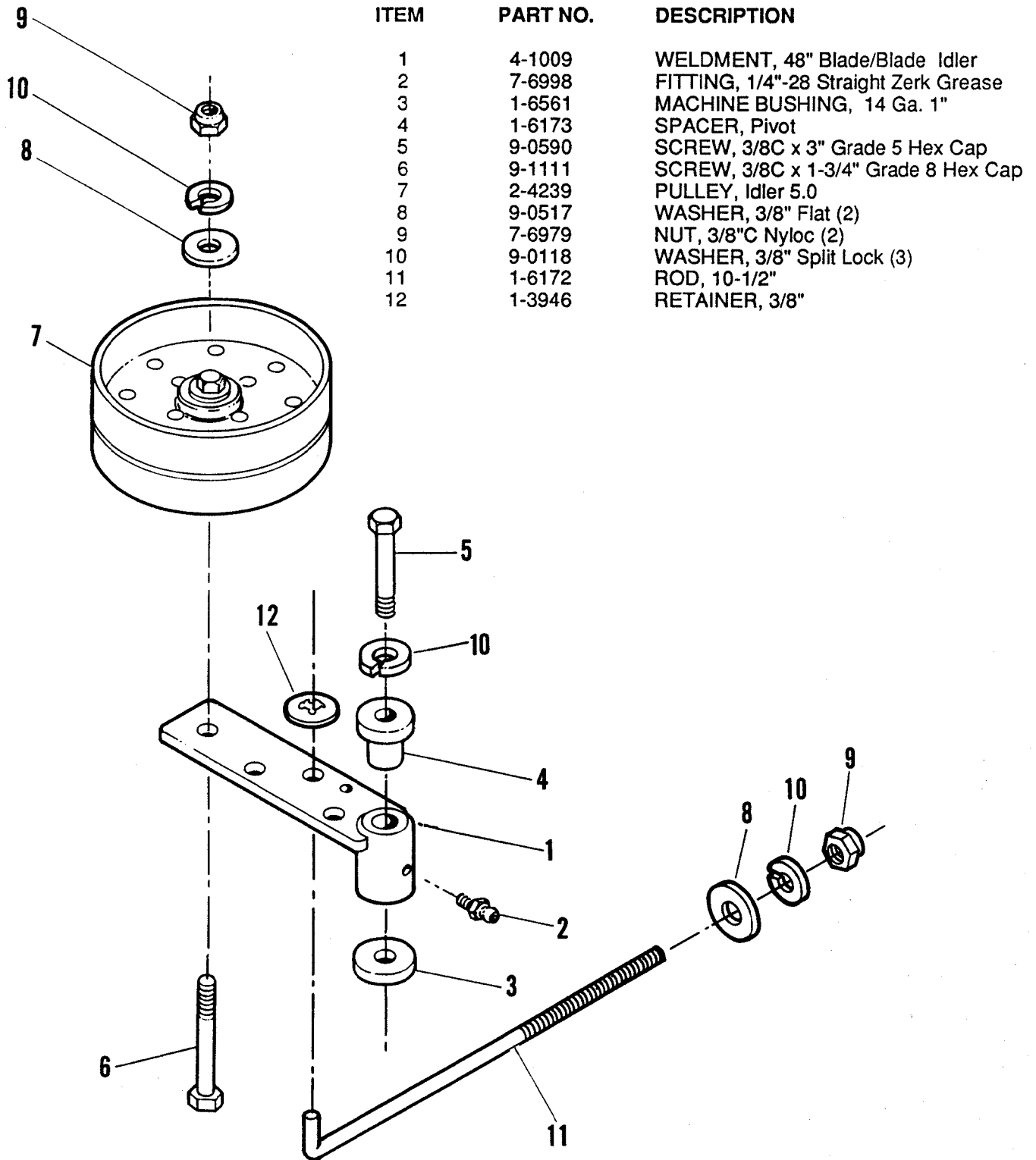
ITEM	PART NO.	DESCRIPTION
1	1-7528	LINK, Blade Engage
2	1-7513	SLEEVE, Linkage
3	1-7530	LINK, Blade Engage
4	1-6231	PIN, #13 Hair
5	3-3194	LINK, Blade Assist
6	9-0655	SCREW, 3/8" x 1 1/2 Lg. Hex Cap
7	9-0517	FLAT WASHER, 3/8"
8	2-2183	SPACER, Pivot
9	9-0130	NUT, 3/8" - 16 Hex (2)
10	9-0038	PIN, 3/32" x 1" Lg. Cotter
11	2-4095	BUSHING (2)
12	3-3204	ANGLE, Blade Engage
13	7-6979	NUT, 3/8" - 16 Nyloc
14	4-0981	WELDMENT, 36" Idler
15	7-6998	GREASE Fitting., 1/4" - 28 Str. Zerk
16	1-6561	MACHINE BUSHING, 14 GA. 1
17	1-6173	SPACER, Pivot
18	9-0590	SCREW, 3/8" C x 3" Lg. Hex. Cap, GR. 5
19	9-0637	SCREW, 3/8" x 2 1/2" Lg. Hex. Cap
20	1-7509	SPACER, Blade Link
21	3-3480	BELT GUIDE
22	2-4239	PULLEY, Idler 5.0
23	9-0517	FLATWASHER, 3/8"
24	7-6979	NUT, 3/8" C Nyloc
25	1-5464	STUD (2)
26	9-0289	NUT, 3/8" Hex. (2)
27	9-0118	LOCKWASHER, 3/8" Split (2)

CUTTER HOUSING ASSEMBLY

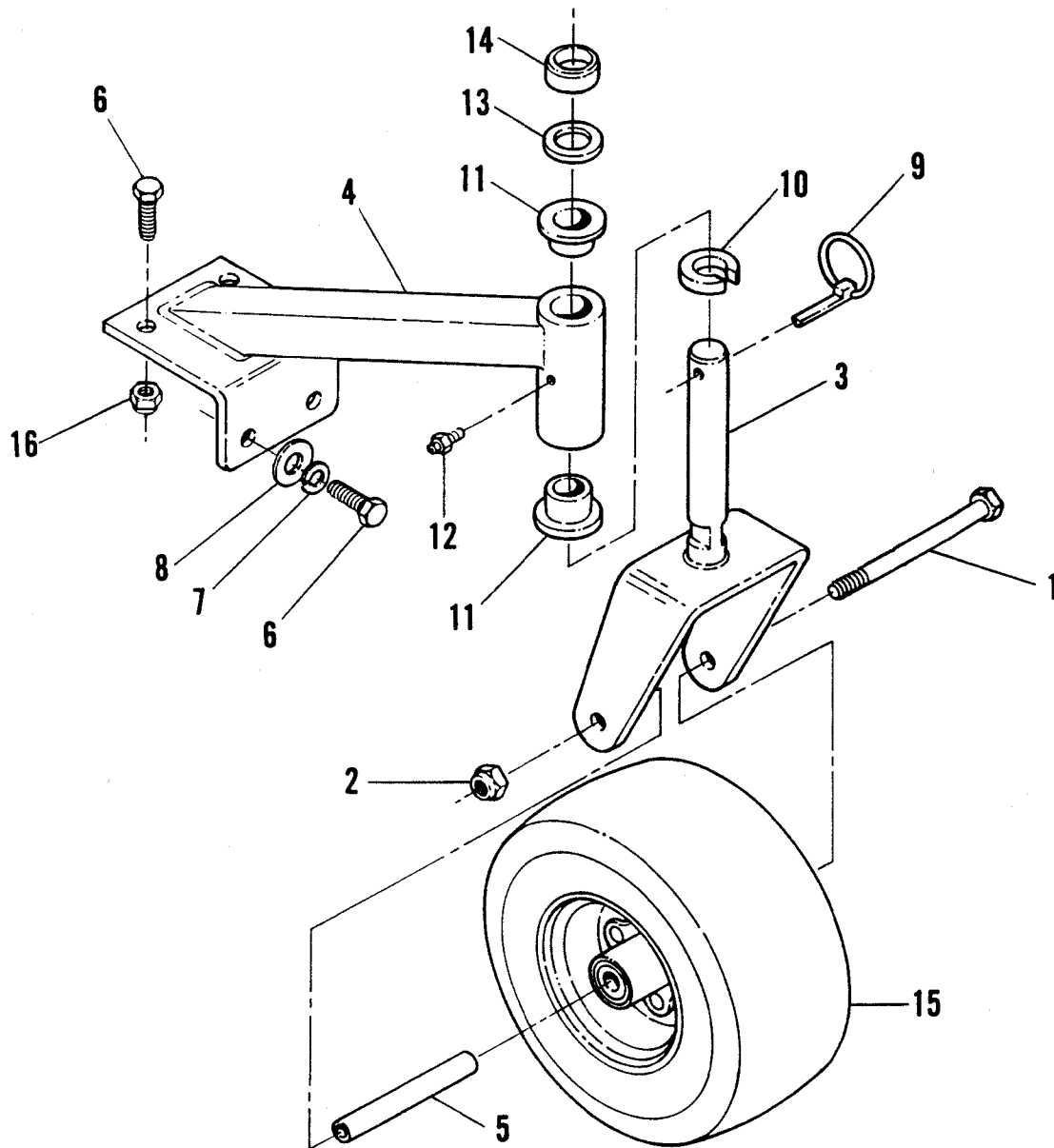


ITEM	PART NO.	DESCRIPTION
1	7-6980	NUT, 5/8" F Hex
2	2-2453	SNAP RING (2)
3	2-2454	SNAP RING (2)
4	1-9125	BEARING, Sealed (2)
5	2-2186	SHAFT, Spindle
6	2-2187	HOUSING, Cutter
7	7-6997	FITTING, 1/8" NPT Zerk
8	2-2456	WASHER, Spindle Housing (2)
9	7-6436	SPACER, Blade (6)
10	1-7037	BLADE, 18" High Lift (736)
---	1-7043	BLADE, 16-1/2" High Lift (748)
11	1-6440	WASHER, 5/8" Bevel
12	9-1136	SCREW, 5/8-18 x 9-3/4" Hex Cap
13	2-4348	WASHER, Spindle (2)

BLADE/BLADE DECK IDLER ASSEMBLY (PMA7480)

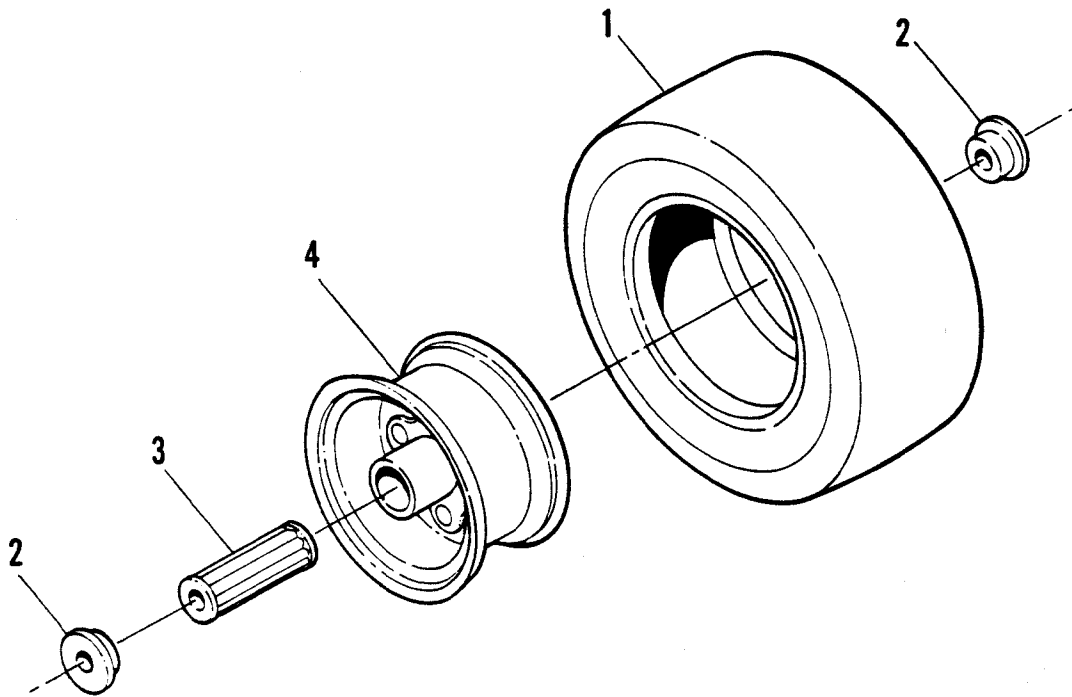


CASTER ASSEMBLY



ITEM	PART NO.	DESCRIPTION
1	9-1123	BOLT, 1/2" x 5 1/2"
2	9-1121	NUT, 1/2" Nyloc
3	4-0726	YOKE, Caster, Weldment
4	5-2298	CASTER SUPPORT ASSEMBLY (Includes Items 11 & 12)
5	2-2151	SLEEVE, Axle
6	9-0563	SCREW, 3/8" C x 1", Gr. 5 (4)
7	9-0118	WASHER, 3/8" Lock (2)
8	9-0517	WASHER, 3/8" Flat (4)
9	1-7711	PIN, Lynch
10	1-9152	SPACER (3)
11	2-3556	BUSHING, Caster (2)
12	7-6998	ZERK, 1/8" NPT Straight
13	2-3747	SPACER
14	2-1960	BUSHING
15	2-2258	WHEEL & TIRE ASSEMBLY (See separate parts list on page 29)
16	7-6979	NUT, 3/8" Nyloc (2)

CASTER WHEEL & TIRE ASSEMBLY



ITEM	PART NO.	DESCRIPTION
1	2-2392	TIRE, 9 x 3.50 - 4 (Includes Tube)
2	2-2394	RETAINER, Flanged (2)
3	2-2395	ROLLER BEARING
4	2-2393	WHEEL ASSEMBLY (Includes Items 2 & 3)

SNAPPER



6

CAUTION

BEFORE MOWING:

- READ OPERATOR'S MANUAL AND OTHER INSTRUCTIONS FURNISHED WITH THIS MACHINE AND THE ATTACHMENTS.
- PRACTICE WITH BLADE OFF TO LEARN CONTROLS AND PROPER OPERATION.
- MAKE SURE THAT GUARDS, CONTROLS, AND OTHER SAFETY DEVICES ARE IN PROPER POSITION AND FUNCTIONAL.
- CLEAR MOWING AREA OF WIRE, ROCKS, AND OTHER OBJECTS THAT COULD CAUSE INJURY IF THROWN BY BLADE.

TO AVOID INJURY

PROTECT CHILDREN AND OTHER PEOPLE:

- DO NOT ALLOW CHILDREN (PRETEEN-AGERS) TO USE MACHINE. KEEP CHILDREN AND OTHERS SAFELY AWAY FROM OPERATING AREA.
- TEENAGERS AND OTHER INEXPERIENCED OPERATORS MUST BE CAREFULLY INSTRUCTED AND CLOSELY SUPERVISED.

BE CAREFUL ON SLOPES:

- DO NOT MOW ON ANY SLOPE OR OTHER AREA WHERE STABILITY OR TRACTION IS IN DOUBT.

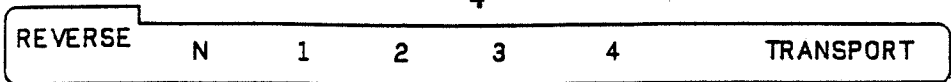
- MOW ACROSS SLOPES. NOT UP AND DOWN.
- REDUCE SPEED AND AVOID SHARP TURNS ON SLOPES.
- DO NOT USE SULKY ON SLOPES.
- AVOID DITCHES AND OTHER DROP-OFFS.

AVOID CONTACT WITH ROTATION BLADE:

- STOP BLADE AND ENGINE BEFORE ATTEMPTING TO UNCLIP DISCHARGE OR PLACING HANDS OR FEET NEAR BLADE.
- DO NOT LEAVE OPERATOR'S POSITION UNLESS BLADE AND ENGINE ARE STOPPED.
- REMOVE KEY WHEN LEAVING MACHINE UNATTENDED.

24156

4



CAUTION

THIS PRODUCT IS DESIGNED FOR PROFESSIONAL COMMERCIAL USERS. SPECIAL TRAINING REQUIRED.

READ OPERATOR'S MANUAL AND KNOW CONTROLS BEFORE OPERATING MOWER.

KEEP ALL SAFETY DEVICES & SHIELDS IN PLACE.

KEEP CHILDREN & OTHERS AWAY FROM OPERATING AREA.

STOP ENGINE BEFORE YOU LEAVE OPERATOR'S POSITION.

3

2

TRACTION LOCK PARK BRAKE

RELEASE OFF

— RUN

IMPORTANT

BEFORE STARTING or STOPPING ENGINE, set PARK BRAKE, stop the BLADE and shift TRANSMISSION into NEUTRAL. REMOVE IGNITION KEY when it becomes necessary to leave the machine unattended.

LEFT TURN

STARTING MOWER

- After starting engine set Throttle Control Lever in Fast position.
- Hold Operator's Presence Control Switch against handlebar.
- Move Transmission Shift Lever into most comfortable travel speed.
- Push Blade Clutch Lever forward in on position.
- Separate both Traction Levers slowly against handlebar allowing the Traction Lock to release. Simultaneously move both Traction Levers slowly forward, allowing machine to start forward movement.

STOPPING MOWER

- Separate both Traction Levers slowly against handlebar while pushing Traction Lock Lever forward until it LOCKS both Traction Levers in Park Brake position.
- Pull Blade Clutch Lever backward to OFF position.
- Place Transmission Shift Lever in NEUTRAL position.
- Move Throttle Control Lever to SLOW position.
- STOP ENGINE by turning Keyswitch to OFF position.

RIGHT TURN

24104

ON BLADE CLUTCH OFF

LEFT TURN

CAUTION

THIS PRODUCT IS DESIGNED FOR PROFESSIONAL COMMERCIAL USERS. SPECIAL TRAINING REQUIRED.

READ OPERATOR'S MANUAL AND HAVE DEALER TRAINING PRIOR TO OPERATING MOWER.

KNOW CONTROLS BEFORE OPERATING MOWER.

CLEAR MOWING AREA OF WIRE, ROCKS & OTHER OBJECTS THAT COULD CAUSE BLURRY IF THROWN BY BLADE.

KEEP ALL SAFETY DEVICES & SHIELDS IN PLACE.

KEEP CHILDREN & OTHERS AWAY FROM OPERATING AREA.

STOP ENGINE BEFORE YOU LEAVE OPERATOR'S POSITION.

IMPORTANT

BEFORE STARTING or STOPPING ENGINE, set TRACTION LOCKS, stop the BLADE and shift TRANSMISSION into neutral. REMOVE IGNITION KEY when it becomes necessary to leave the machine unattended.

OFF

— RUN

LEFT TURN

STARTING MOWER

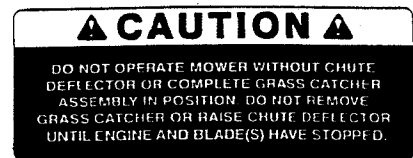
- After starting engine set Throttle Control Lever in Fast position.
- Hold Operator's Presence Control Lever against handlebar.
- Move Transmission Shift Lever into most comfortable travel speed.
- Push Blade Clutch Lever forward in on position.
- Separate both Traction Levers slowly against handlebar allowing the Traction Lock to release. Simultaneously release both Traction Levers slowly allowing machine to start forward movement.

STOPPING MOWER

- Separate both Traction Levers slowly against handlebar while pushing Traction Lock Levers back until it LOCKS Traction Levers.
- Pull Blade Clutch Lever backward to OFF position.
- Place Transmission Shift Lever in NEUTRAL position.
- Move Throttle Control Lever to SLOW position.
- STOP ENGINE by turning Keyswitch to OFF position.

RIGHT TURN

24288



ITEM NO.	PART NO.	DESCRIPTION
-	6-1184	DECAL KIT, For Loop Handle Models (Includes Items 1 thru 8)
--	6-1185	DECAL KIT, For Pistol Grip Handles (Incl. Items 1 and 3 thru 9)
1	1-9293	DECAL, SNAPPER (2)
2	2-4104	DECAL, CONSOLE (LOOP HANDLE)
3	2-2333	DECAL, SHIFT QUAD
4	2-4156	DECAL, CAUTION
5	2-2522	DECAL, CAUTION
6	1-3010	DECAL, WARNING
7	2-2889	DECAL, CAUTION
8	1-7150	DECAL, PATENT PENDING
9	2-4268	DECAL, CONSOLE (PISTOL GRIP HANDLE)

SNAPPER[®]

PRO736 & PRO748 MID-SIZE COMMERCIAL MOWERS

MODEL NUMBERS:

PL71250KW PP71250KW

PL7140KWV PP7140KWV

PMA7360

PMA7480

SNAPPER POWER EQUIPMENT

McDonough, GA., 30253 U.S.A.

