

Parts Manual for
SNAPPER[®]

21" STEEL DECK WALK BEHIND MOWERS
SERIES 17

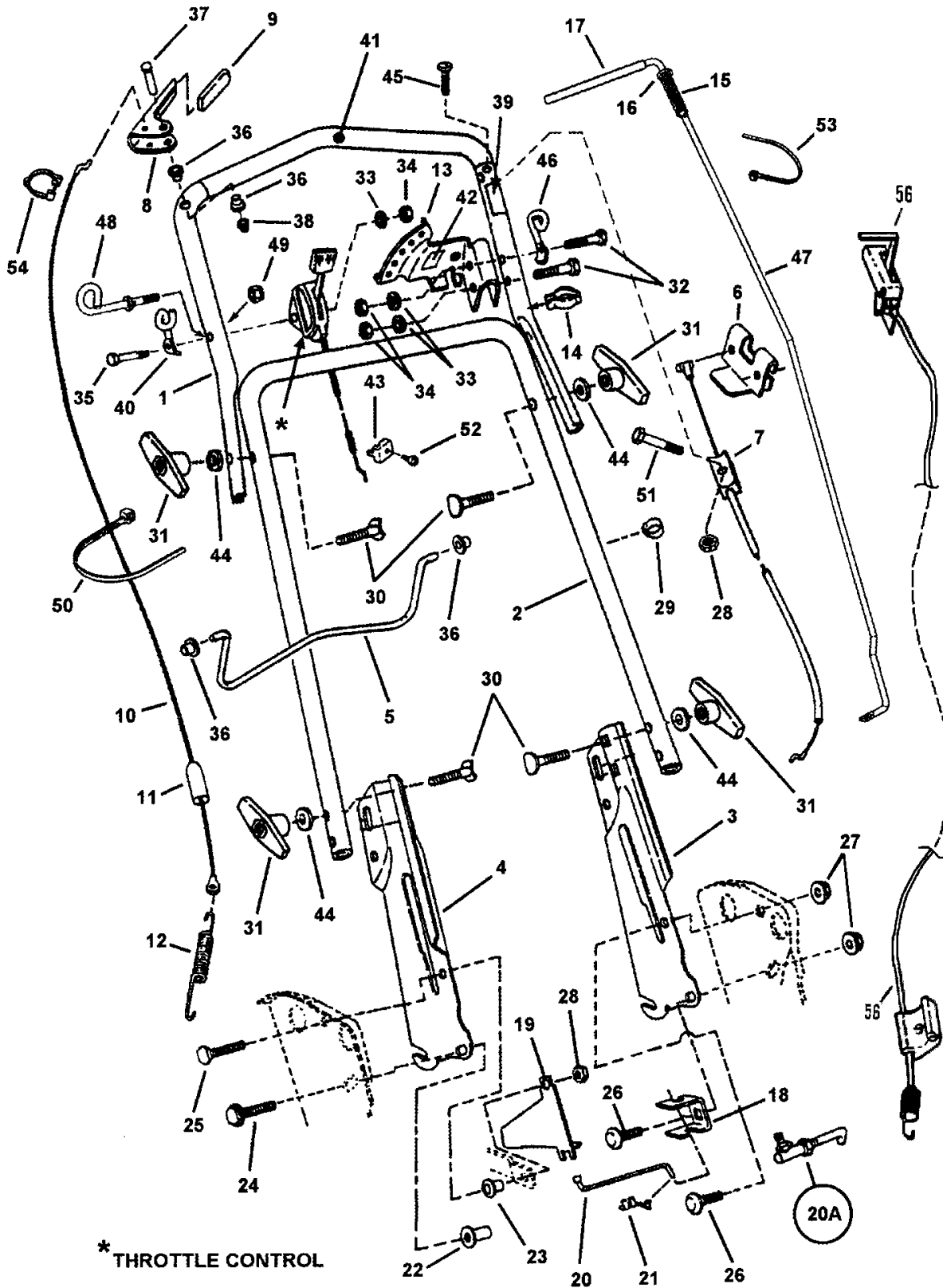


PUSH MODELS	PROPELLED MODELS
<p>216517B 2167517BV R215517HC R2167517BV</p>	<p>P215517HC P216517B P2167517BV P2167517BVE P217017BV P217017BVE RP215517HC RP2167517BV RP217017BV RP2167517BVE RP217017BVE WP2167517BV WP216517BV WRP216517BE FRP2167517BV EP2167517BV EP217017BV ERP2167517BV ERP217017BV EFRP2167517BV WRPS216517B WRPS216517BE</p>

SNAPPER McDonough, GA, 30253 U.S.A.

PAGE	GROUP
4	HANDLES & CONTROLS
8	CUTTING DECK, BLADES
12	FRONT WHEEL BRACKET
14	SWIVEL CASTER ASSEMBLY
16	REAR WHEEL BRACKETS, LATCHES
18	FRONT WHEELS
20	FRONT WHEELS - SWIVEL MODEL
22	REAR WHEELS
24	DRIVE SYSTEM SELF-PROPELLED PT.1
28	TRANSMISSION (DIFFERENTIAL)
30	THROTTLE CONTROLS
32	KIT, MUFFLER DEFLECTOR
34	ENGINE SPECIFICATIONS
36	SIDE CHUTE, ADAPTER
38	GRASS BAG ACCESSORY
40	DECALS PT. 1
42	DECALS PT. 2
44	SNAPPERIZER ACCESSORY
46	THATCHERIZER ACCESSORY
48	RECYCLING KITS ACCESSORY
50	ELECTRIC START COMPONENTS
52	WIRING SCHEMATIC

HANDLES & CONTROLS



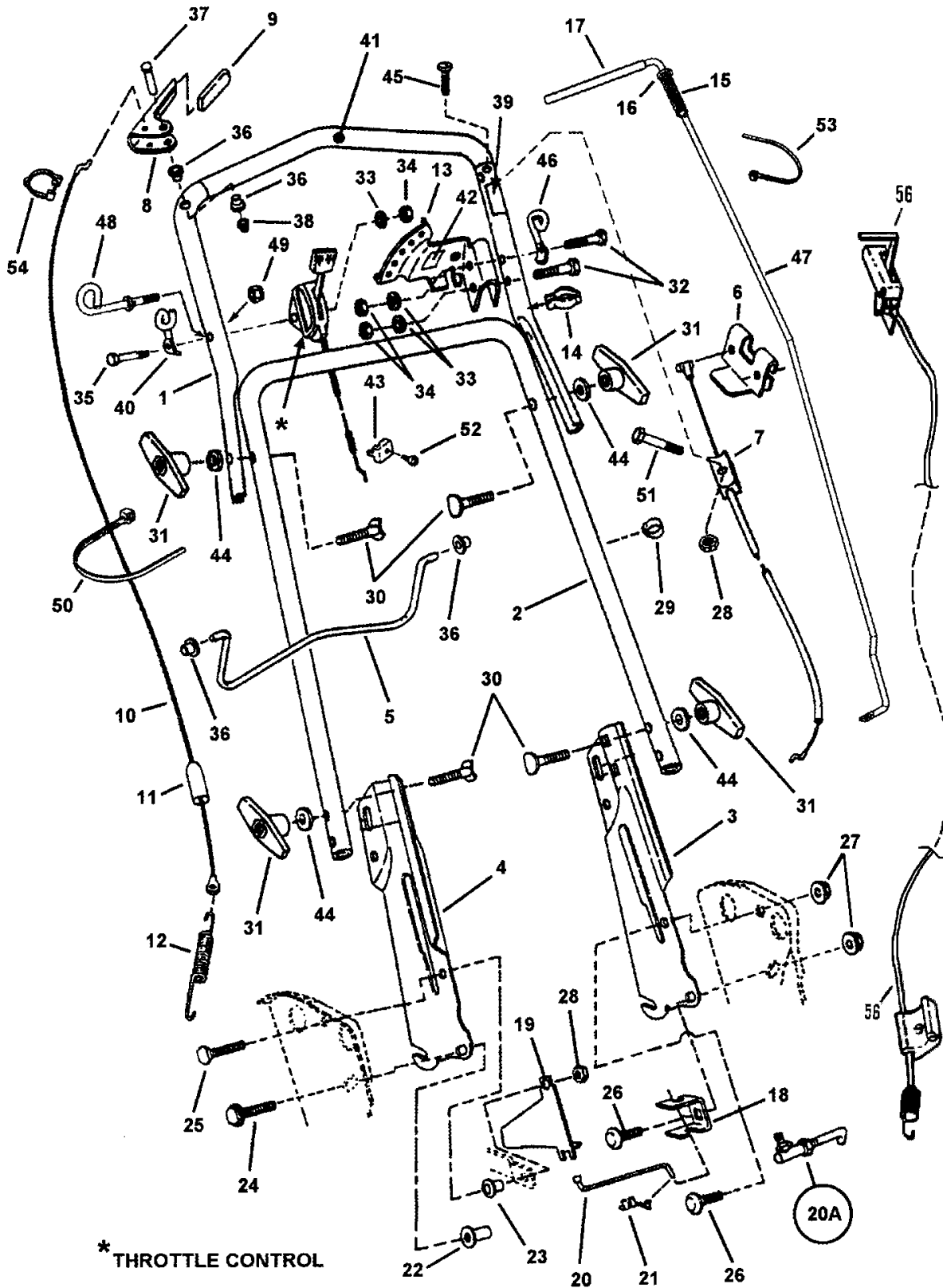
* THROTTLE CONTROL

HANDLES & CONTROLS

Item	Part No	Qty	Description	Note
1	7074254	1	HANDLE, Upper	<i>Was 72931 (used on Push Models)</i>
--	7074254	1	HANDLE, Upper	<i>used on Self-Propelled</i>
2	7036350	1	HANDLE, Middle- 1990	<i>used on All</i>
3	7046502	1	HANDLE, Lower Left Hand	<i>used on All</i>
4	7035342	1	HANDLE, Lower Right Hand	<i>used on All</i>
5	7047011	1	BAIL, Blade Control	<i>used on All</i>
6	7033904	1	CLIP, Blade Control	<i>used on 2002 Models & Earlier</i>
--	7034872	1	CLIP, Blade Control	<i>used on 2003 Models & Later</i>
7	7072933	1	CABLE, Blade Control (49-1/4" long)	<i>used on 2002 Models & Earlier</i>
--	7074868	1	CABLE, Blade Control (46-15/16" long)	<i>used on 2003 Models & Later</i>
--	7074830	1	CABLE, Blade Control (49" long)	<i>used on Honda 2003 Models & Later</i>
8	7032826	1	HANDLE, Wheel Drive	<i>used on Self-Propelled</i>
9	7014307	1	GRIP, Wheel Drive Handle	<i>used on Self-Propelled</i>
--	7029775	1	GRIP, Wheel Drive Handle	<i>used on European Models</i>
10	7072932	1	CABLE, Clutch Pull (Z-Bend, 38-5/8" long)	<i>used on Self-Propelled</i>
11	7012121	1	COVER, Vinyl	<i>used on Self-Propelled</i>
12	7012122	1	SPRING, Clutch	<i>used on Self-Propelled</i>
13	7038478	1	SECTOR, Speed	<i>used on all other Self-Propelled models</i>
14	7024641	3	WIRE TIE, 1.29" Long (Black)	<i>used on Self-Propelled</i>
15	7012093	1	SPRING, Speed Control	<i>used on Self-Propelled</i>
16	7090188	1	WASHER, 3/8" Flat	<i>used on Self-Propelled</i>
17	7023801	1	GRIP, Speed Control Handle	<i>used on all other Self-Propelled models</i>
18	7032830	1	ANCHOR, Speed Control	<i>used on all other Self-Propelled models</i>
19	7032408	1	GUIDE, Lower V-Belt	<i>used on Self-Propelled</i>
20	7023790	1	ROD, Transfer	<i>used on Self-Propelled</i>
20A	7051698	1	ASSEMBLY, Transfer Rod	<i>used on European Models</i>
21	7010937	1	CLIP, Transfer Rod 1/4"	<i>used on Self-Propelled</i>
22	7090895	1	TEE-NUT, 5/16-18	<i>used on Self-Propelled</i>
23	7012114	1	BUSHING, Differential	<i>used on Self-Propelled</i>
24	7090595	1	BOLT, 5/16-18 x 3/4" Hex Flange Lock GR5	<i>used on All</i>
25	7090238	1	SCREW, 5/16-24 x 1" Hex Head Cap GR5	<i>used on All</i>
26	7090799	1	BOLT, 5/16-18 x 5/8" Short Neck Carriage GR5	<i>Was 91026 (used on All)</i>
27	7091601	10	NUT, 5/16-18 Hex Flange Lock GR5	<i>Was 91070 (used on All)</i>
28	7091606	1	NUT, 5/16-24 Hex Center Lock GR5	<i>Was 91074 (used on All)</i>
29	7023813	1	CLIP, Cable/Wiring	<i>used on All</i>
30	7091740	4	SCREW, 5/16-18 x 1-7/8" Curved Head GR2	<i>Was 91189 (used on All)</i>
31	7035744	4	T-KNOB, 5/16-18 (BLACK)	<i>used on All</i>

Footnotes:

HANDLES & CONTROLS



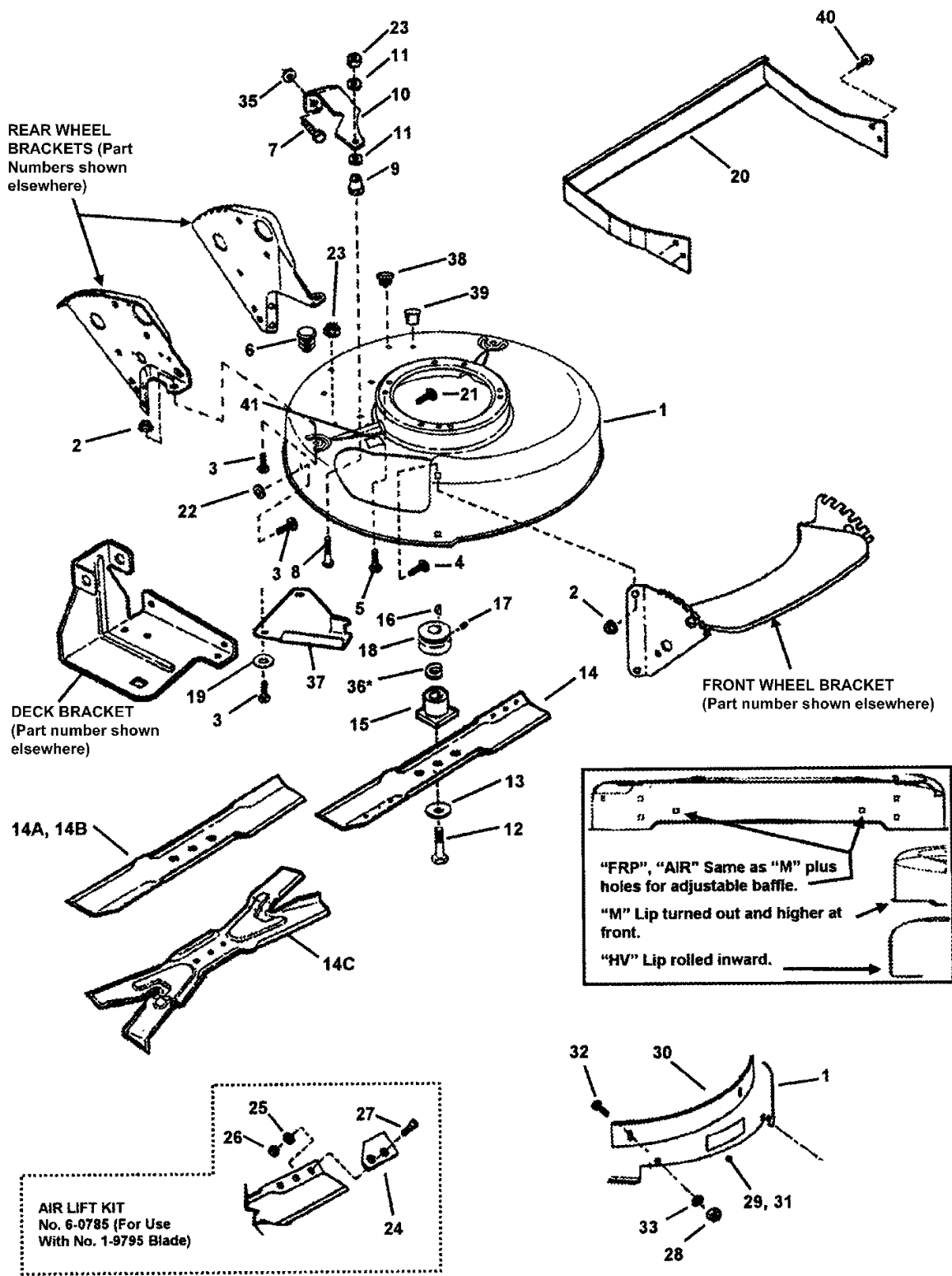
* THROTTLE CONTROL

HANDLES & CONTROLS

Item	Part No	Qty	Description	Note
32	7079577	2	SCREW, 1/4-20 x 1-1/2 Hex Head Cap GR5	<i>used on All</i>
33	7090053	3	WASHER, 1/4" Internal Tooth Lock	<i>Was 91023 (used on All)</i>
34	7091576	3	NUT, 1/4-20 Hex GR5 or B	<i>Was 91100 (used on All)</i>
35	7090505	1	SCREW, 1/4-20 x 2" Hex Head Cap GR5	<i>used on All</i>
36	7014343	4	BUSHING	<i>used on All</i>
37	7023792	1	PIN, 1/4" x 1-1/2" (for clutch handle)	<i>used on Self-Propelled</i>
38	7091020	1	PUSH-NUT, 1/4" (for handle pin)	<i>used on Self-Propelled</i>
39	7024211	1	DECAL, Blade Control (Left Hand Side)	<i>used on all (except Euro)</i>
--	7029782	1	DECAL, Blade Control (Left Hand Side)	<i>used on European</i>
--	7029785	1	DECAL, Handle International Warning	<i>used on European</i>
40	7026141	1	GUIDE, Rope	<i>used on All</i>
41	7075634	1	FOAM GRIP, .84 I.D. x 11" long	<i>Was 73115</i>
--	7075634	1	FOAM GRIP, .84 I.D. x 12" long	
42	7024087	1	DECAL, Speed Select	<i>used on Self-Propelled (except Euro)</i>
--	7029783	1	DECAL, Speed Select (Euro)	<i>used on Self-Propelled (Euro)</i>
43	7023153	1	CLAMP, Casing	<i>used on All</i>
44	7090391	4	WASHER, 5/16" Internal Tooth Lock	<i>used on All</i>
45	7090545	1	SCREW, 5/16-24 x 1-1/2" Round Hd. Machine, GR5	<i>used on All</i>
46	7022779	1	GUIDE, Rope	<i>used on All</i>
47	7074255	1	LEVER, Speed Control	<i>used on Self-Propelled</i>
48	7046465	1	GUIDE, Rope	<i>used on Self-Propelled</i>
49	7076978	1	NUT, 1/4-20 Hex GR5 or B	<i>used on Self-Propelled</i>
50	7012080	1	CABLE-TIE, 7"	<i>used on Self-Propelled</i>
52	7023154	1	SCREW, #10-32 x 5/8" Hex Head Self-Tap	<i>used on All</i>
51	7079577	1	SCREW, 1/4-20 x 1-1/2" Hex Head Cap, GR5	<i>used on Self-Propelled</i>
53	7024649	1	WIRE TIE, 11" Long (Black)	<i>used on Self-Propelled</i>
--	7090505	1	SCREW, 1/4-20 x 2" Hex Head Cap GR5	<i>used on Self-Propelled</i>
54	7026219	1	CLAMP, 7/8" Double Cable	<i>used on Self-Propelled</i>
56	7072023	1	CONTROL, Swivel Wheel Lock Cable 56.5"	<i>used on Swivel Wheel</i>

Footnotes:

CUTTING DECK, BLADES

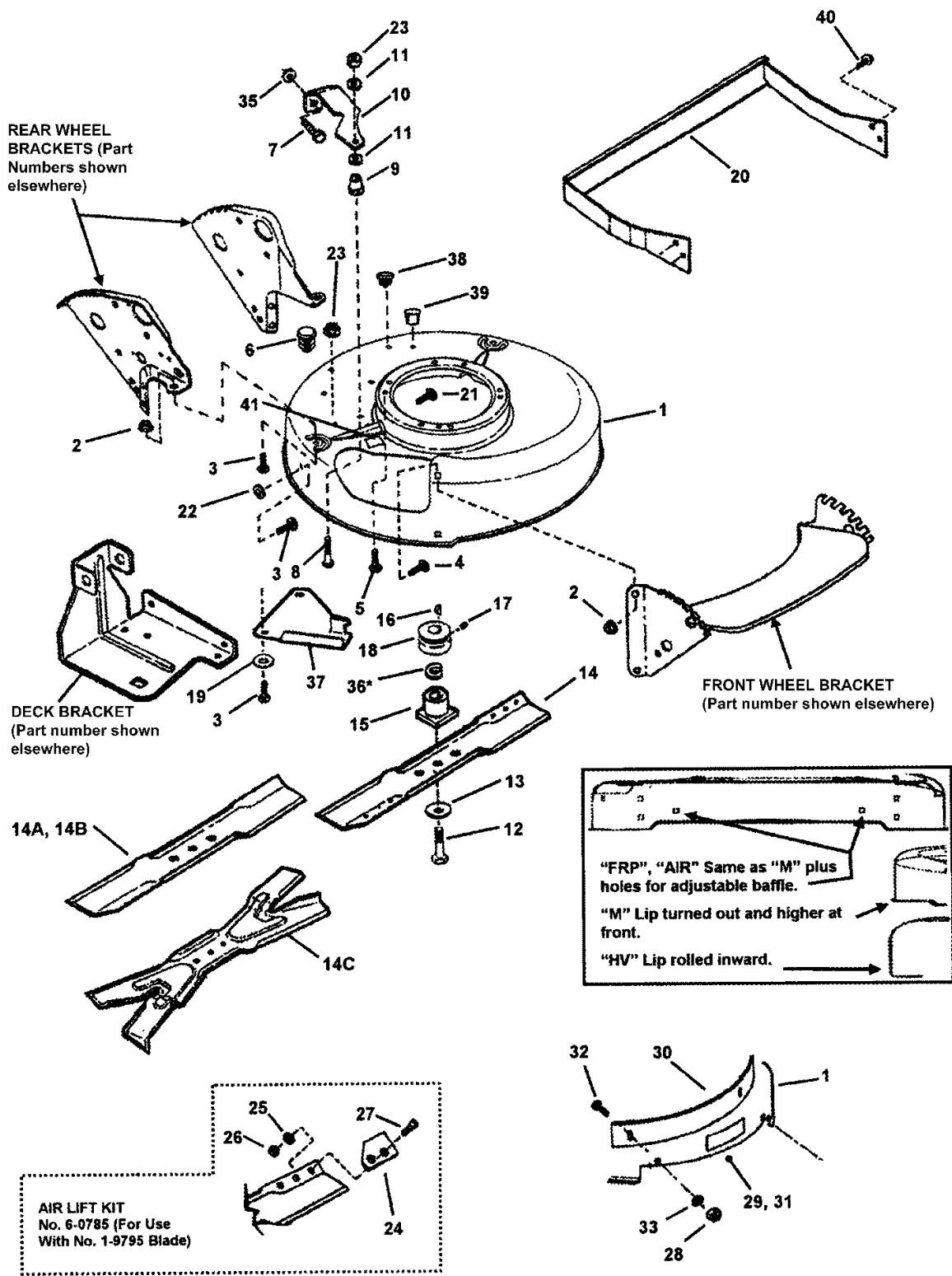


CUTTING DECK, BLADES

Item	Part No	Qty	Description	Note
1	7057663	1	DECK, 21" Mower ("HV" deck w/decals)	
--	7058540	1	DECK, 21" Mower (Baffle Type deck w/decals)	<i>used on "FRP" & "EFRP" Air Models only</i>
--	7057884	1	DECK, 21" Mower ("M" deck w/decals)	
--	7074949	1	DECK, 21" Mower (Swivel wheel "M" deck w/o decals)	
2	7091601	10	NUT, 5/16-18 Hex Flange Lock, GR5	<i>Was 90585</i>
3	7090731	10	BOLT, 5/16-18 x 1/2" Short Neck Carriage GR5	
4	7091169	1	BOLT, 5/16-18 x 1-1/8" Short Neck Carriage GR5	
5	7090324	3	SCREW, 3/8-16 x 1" Self-Tap	<i>(engine mounting screws)</i>
6	7046780	2	PLUG, Hole	
7	7090534	1	SCREW, 5/16-18 x 1/2" Hex Head Cap, GR5	<i>used on Euro models</i>
8	7090702	1	BOLT, 5/16-18 x 2-1/4" Hex Flange Lock	<i>used on Euro models</i>
9	7013320	1	BUSHING	<i>used on Euro models</i>
10	7033863	1	COVER, Belt	<i>used on Euro models</i>
11	7031961	2	WASHER, 7/16" Flat	<i>used on Euro models</i>
12	7090483	1	SCREW, 3/8-24 x 1-3/4 Hex Head Cap GR5	
13	7012063	2	WASHER, 3/8" I.D. Cone	
14	7019795	1	BLADE, Cutter (European)	<i>used on Euro models</i>
14A	7017168	1	BLADE, Cutter (Mulching)	
14B	7026691	1	BLADE, Cutter (Standard Lift)	
14C	7026407	1	BLADE, 21" Ninja (Quad Edge)	
15	7015626	1	HUB, Blade Drive 25mm	<i>used on Briggs Models</i>
--	7012927	1	HUB, Blade Drive 7/8"	<i>used on Honda Models</i>
16	7015894	1	KEY, Woodruff # 605	<i>used on Briggs Models</i>
--	7091214	1	KEY, Hi-Pro #HP506	<i>used on Briggs Models</i>
--	7010783	1	KEY, Woodruff #505 Hi-Pro	<i>used on Honda Models</i>
17	7090201	1	SCREW, 5/16-18 x 5/16" Hex Socket Set	
18	7015780	1	PULLEY, Engine (25mm I.D. x 2-1/8" O.D.)	<i>used on Briggs Models</i>
--	7021764	1	PULLEY, Engine (7/8" I.D. x 2-1/8" O.D.)	<i>used on Honda Models</i>
19	7031961	1	WASHER, 7/16" Flat	
20	7041400	1	WELDMENT, Fender	<i>used on Euro models</i>
21	7091508	2	BOLT, 5/16-18 x 3/4" Short Neck Carriage GR5	<i>Was 90001 (only one shown)</i>
22	7011791	2	RETAINER, 5/16" Bolt	<i>(only one shown)</i>
23	7091601	3	NUT, 5/16-18 Hex Flange Lock, GR5	<i>Was 91070</i>
--	7060785	1	KIT, Air Lift	<i>(Includes 4 items below)</i>
24	7032558	2	LIFT, Air	
25	7090391	4	WASHER, 5/16" Internal Tooth Lock	
26	7091297	4	NUT, 5/16-24 Hex, GR5	<i>Was 90223</i>

Footnotes:

CUTTING DECK, BLADES

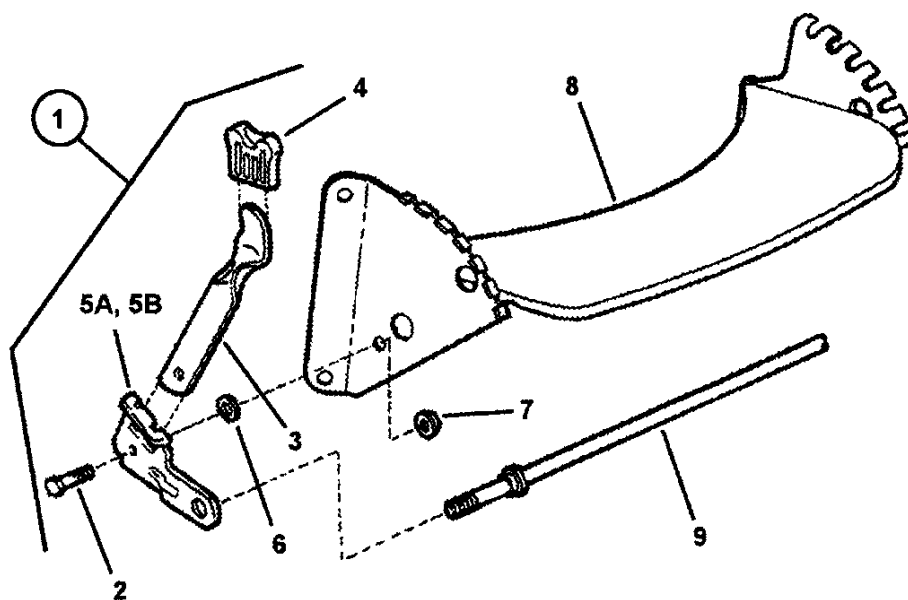


CUTTING DECK, BLADES

Item	Part No	Qty	Description	Note
27	7090228	4	SCREW, 5/16-24 x 21/32" Machine	
28	7090951	2	NUT, 5/16-18 Hex Center Lock	
29	7029193	1	DECAL, Front Baffle	
30	7072426	1	BAFFLE, Front	<i>used on "FRP" & "EFRP" Air Models only</i>
31	7036463	1	DECAL, Front Baffle	
32	7090316	2	BOLT, 5/16-18 x 3/4" Carriage, GR5	
33	7090189	2	WASHER, 5/16" Internal/External Tooth Lock	
34	7024085	2	WINGNUT, 5/16-18 Nyloc	
35	7091076	1	WASHER, 5/16" Flat	
36	7044770	1	SPACER, 1/16" Thick, Blade Hub	
37	7074568	1	BAFFLE, Belt	
38	7046471	3	PLUG, 5/16" Square Hole	<i>used on Push only</i>
39	7045264	3	PLUG, 5/16" Round Hole	<i>Qty 3 on Push; Qty 2 on Self-Propelled</i>
40	7091122	4	SCREW, 1/4-20 x 1/2" Hex Washer Self-Tap	<i>Was 90539</i>
41	7046720	1	DECAL, Warning Chute/Deflector	

Footnotes:

FRONT WHEEL BRACKET

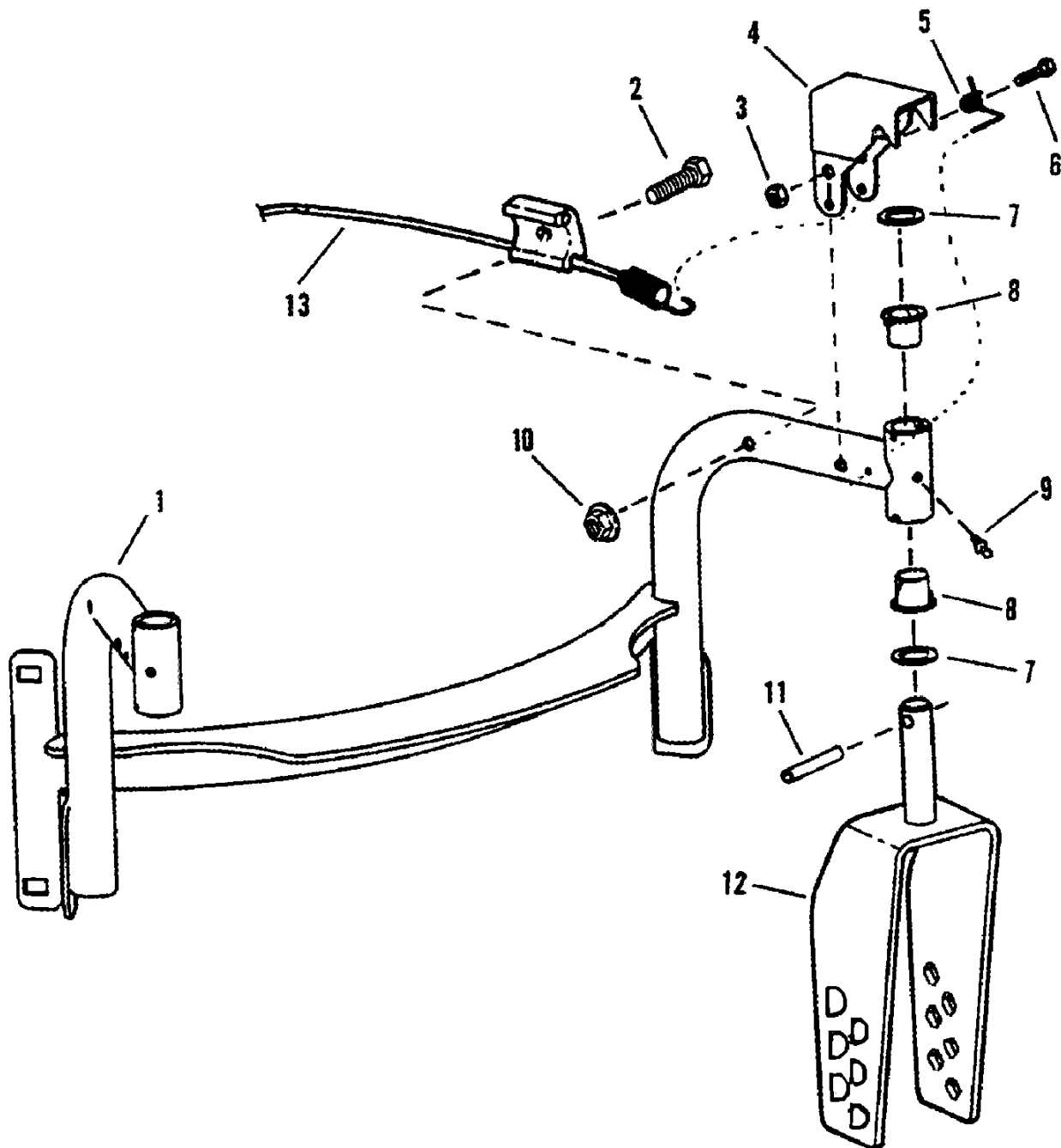


FRONT WHEEL BRACKET

Item	Part No	Qty	Description	Note
1	7051886	1	ASSEMBLY, Right Wheel Arm	<i>(Consists of items 2, 3, 4, 5A & 6)</i>
--	7051885	1	ASSEMBLY, Left Wheel Arm	<i>(Consists of items 2, 3, 4, 5B & 6)</i>
2	7015761	2	BOLT, 5/16-18 Hex Washer Face Shoulder	
3	7012325	2	LATCH, Height	
4	7027702	2	GRIP, Latch	
5A	7031017	1	ARM, Right Wheel (Round Hole)	
5B	7031016	1	ARM, Left Wheel (Square Hole)	<i>not shown</i>
6	7011791	2	RETAINER, 5/16" Bolt (Black)	
7	7091601	2	NUT, 5/16-18 Hex Flange Lock	<i>Was 91070</i>
8	7074702	1	WELDMENT, Front Wheel Bracket	<i>Was 41770, Used on 2002 Model Year and Earlier</i>
--	7074702	1	WELDMENT, Front Wheel Bracket	<i>used on 2003 Model Year and Later</i>
9	7021119	1	AXLE	

Footnotes:

SWIVEL CASTER ASSEMBLY

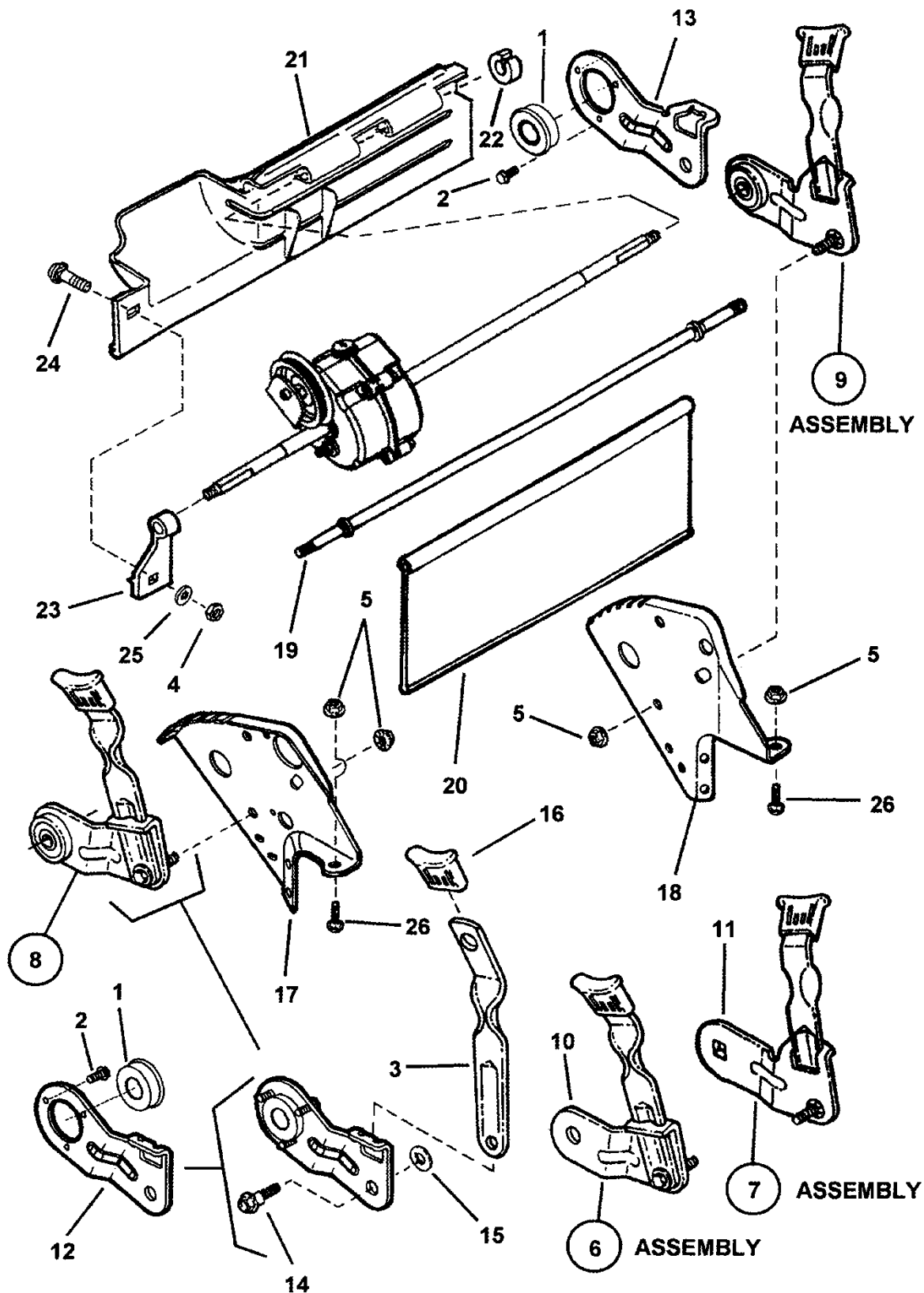


SWIVEL CASTER ASSEMBLY

Item	Part No	Qty	Description	Note
1	7057782	1	WELDMENT, Front Bracket	
2	7079577	1	SCREW, 1/4-20 x 1-1/2" Hex Cap	
3	7090372	1	NUT, 1/4-20 Hex Lock	
4	7072244	1	BRACKET, Swivel Lock	
5	7046668	1	SPRING, Torsion	
6	7090505	1	BOLT, 1/4-20 x 2" Hex	
7	7027344	4	WASHER, 41/64" Flat	Was 15992
8	7046628	4	BUSHING, 5/8" Nylon	
9	7013864	2	LUBE FITTING, Straight (press-fit for .187 dia. Hole)	
10	7076978	1	NUT, 1/4-20 Hex Lock	
11	7014106	2	PIN, 1/4 x 1-3/4" Roll	
12	7072229	1	WELDMENT, L.H. Swivel Bracket	
	7072230	1	WELDMENT, R.H. Swivel Bracket	Was 57789 (Not Shown)
13	7072023	1	CONTROL, Swivel Wheel Lock Cable 56.5"	

Footnotes:

REAR WHEEL BRACKETS, LATCHES

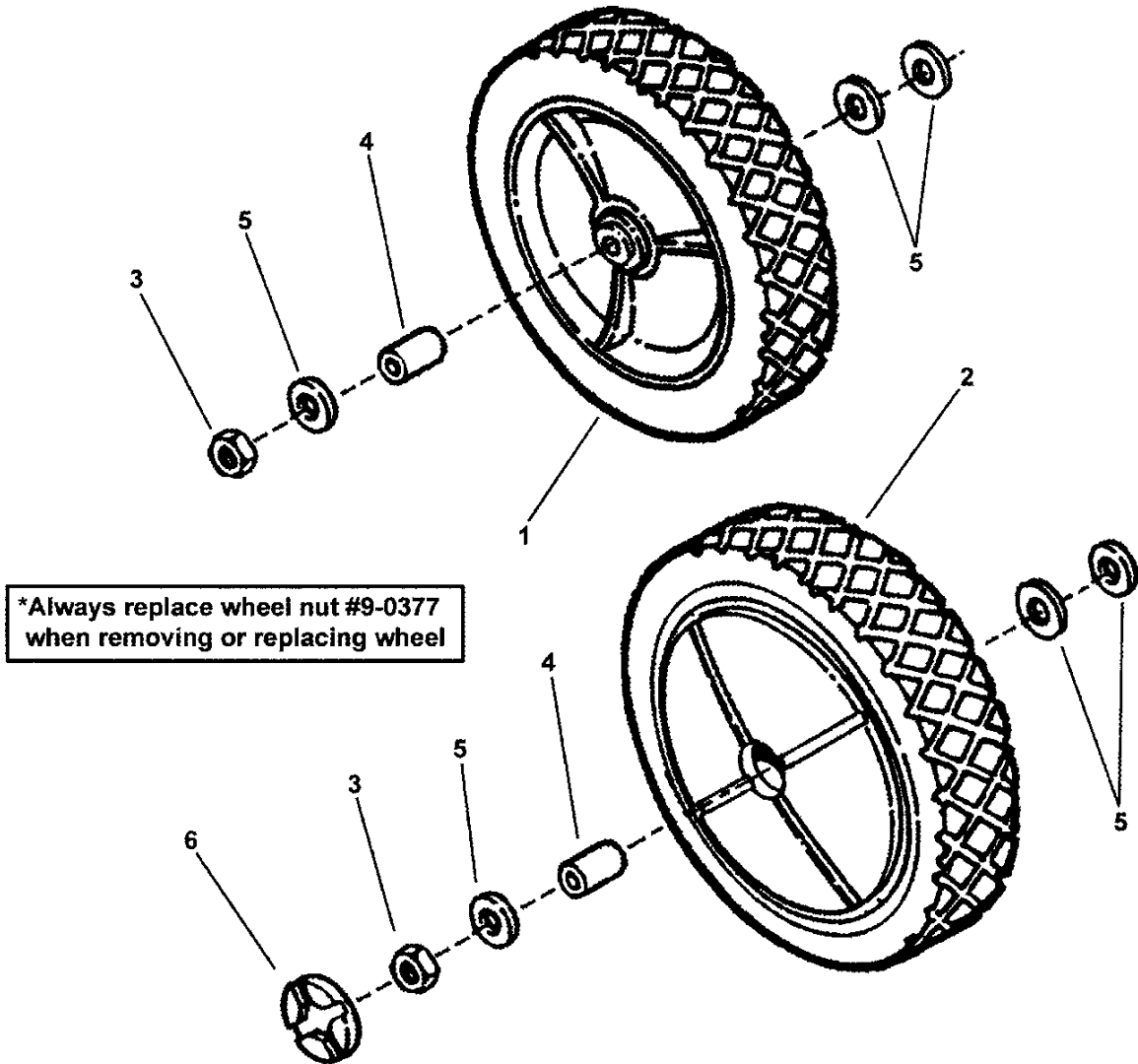


REAR WHEEL BRACKETS, LATCHES

Item	Part No	Qty	Description	Note
1	7012312	2	BALL BEARING, 9/16" I.D.	
2	7091012	3	SCREW, #10-32 x 3/8" Hex Washer Self-Tap	(Torx)
3	7035717	2	LATCH, Height Adjusting (Long)	
4	7091576	1	NUT, 1/4-20 Hex	Was 90063
5	7091601	6	NUT, 5/16-18 Hex Flange Lock, GR5	Was 91070
6	7054228	1	ASSEMBLY, Wheel Arm, Right Rear (Round hole)	used on Push models (Incl. items 3, 10, 14, 15 & 16)
7	7054229	1	ASSEMBLY, Wheel Arm, Left Rear (Square hole)	used on Push models (Incl. items 3, 11, 14, 15 & 16)
8	7054246	1	ASSEMBLY, Wheel Arm (Right Rear)	Was 54230 (Self-Propelled models)(Incl. 1, 2, 3, 12, 14, 15 & 16)
9	7054247	1	ASSEMBLY, Wheel Arm (Left Rear)	Was 54231 (Self-Propelled Models)(Includes 1, 2, 3, 13, 15, & 16)
10	7033776	1	ARM, Round Axle End, Right Rear (Round hole)	used on Push models
11	7033775	1	ARM, Square Axle End, Left Rear (Square hole)	used on Push models
12	7032722	1	ARM, Wheel, Right Rear	used on Self-Propelled models
13	7032723	1	ARM, Wheel, Left Rear	used on Self-Propelled models
14	7011078	2	BOLT, 5/16-18 x 1" Shoulder	
15	7011791	2	RETAINER, 5/16" Bolt	
16	7027702	2	GRIP, Latch	
17	7033494	1	BRACKET, Right Rear Wheel	
18	7033495	1	BRACKET, Left Rear Wheel	
19	7021119	1	AXLE	Rear axle on Push Models; Front axle on All Models
20	7035741	1	GUARD, Rear Foot	used on Push models
21	7029008	1	GUARD, Rear Foot	used on Self-Propelled models (except European)
--	7017010	1	GUARD, Rear Foot	used on Euro Self-Propelled models
22	7023791	1	RING, Split (Black)	used on Self-Propelled models
23	7012616	1	SUPPORT, Foot Guard	used on Self-Propelled models
24	7091604	1	BOLT, 1/4-20 x 1/2" Short Neck Carriage GR5	Was 90005 (used on Self-Propelled models)
25	7090053	1	WASHER, 1/4" Internal Tooth Lock	Was 91023
26	7090731	2	BOLT, 5/16-18 x 1/2" Short Neck Carriage GR5	

Footnotes:

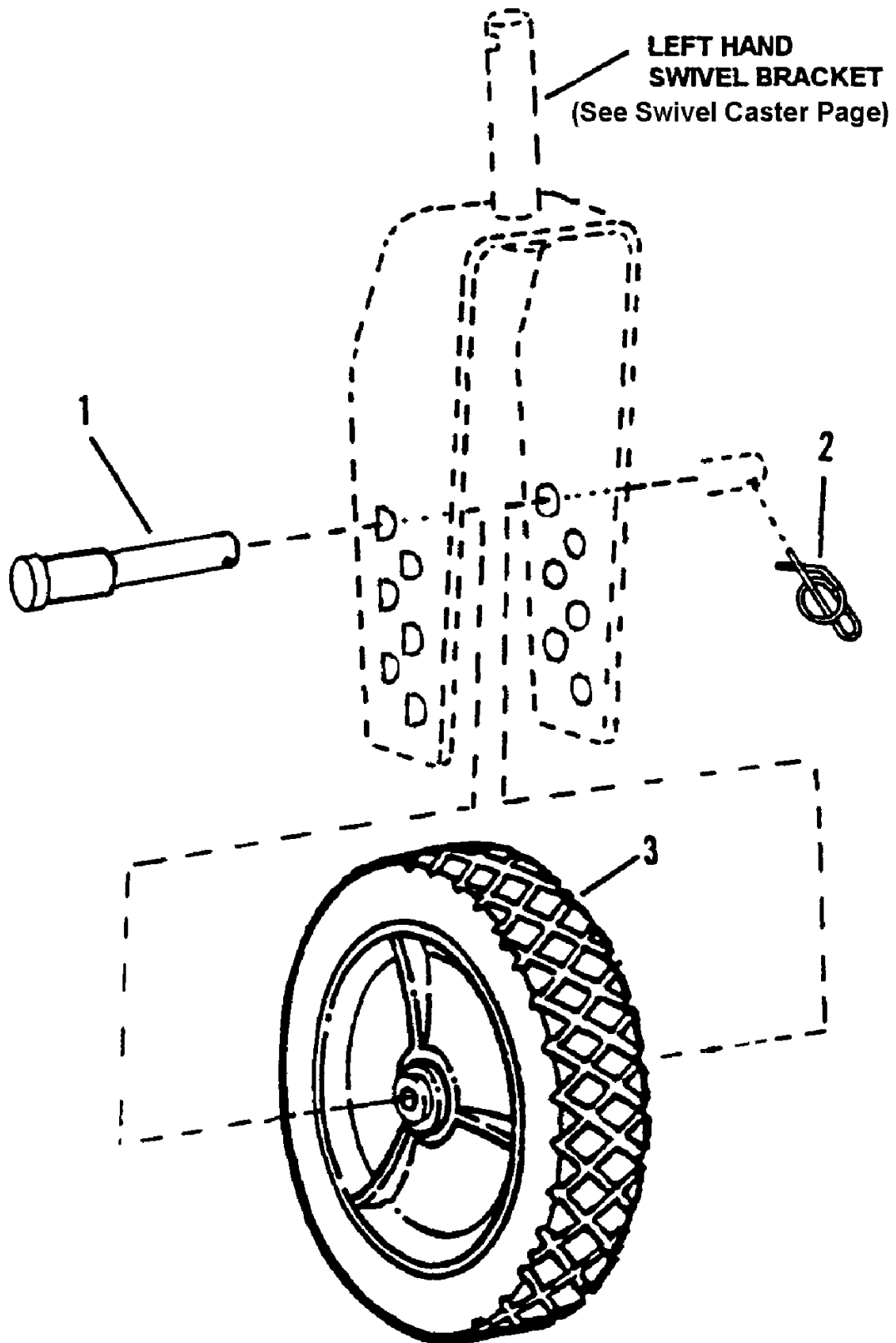
FRONT WHEELS



FRONT WHEELS

Item	Part No	Qty	Description	Note
1	7022374	2	WHEEL, 8 x 1.75 Plastic	<i>used on 2002 Model Year and Earlier</i>
2	7029010	2	WHEEL, 8 x 1.75 Plastic	<i>used on 2003 Model Year and Later</i>
3	7090377	2	NUT, 7/16-20 Hex Center Lock Jam (thin)	
4	7012309	2	BUSHING, Axle	
5	7031961	6	WASHER, 7/16 x 1" O.D. Flat	<i>Qty. of (2) for Push; Qty. of (1) for Self-Propelled Models</i>
6	7017829	2	PLUG, Wheel	

Footnotes:



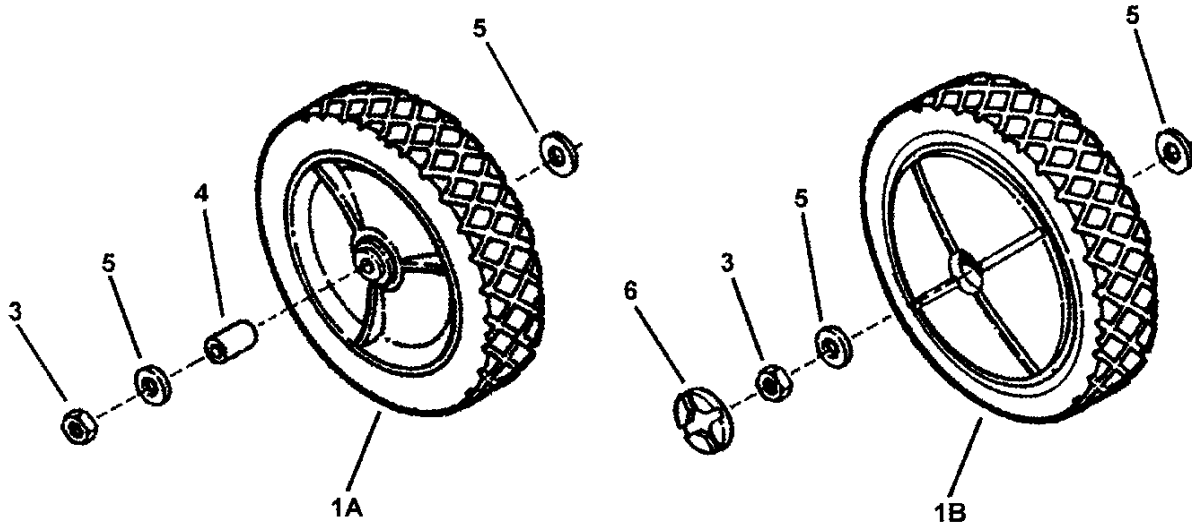
FRONT WHEELS - SWIVEL MODEL

Item	Part No	Qty	Description	Note
1	7072243	2	PIN, Wheel - Stepped .435 DIA x 2.725 Long	
2	7046708	2	PIN, Swivel Wheel Lock	
3	7046990	2	WHEEL, 8 x 1.75 Plastic - Gray	

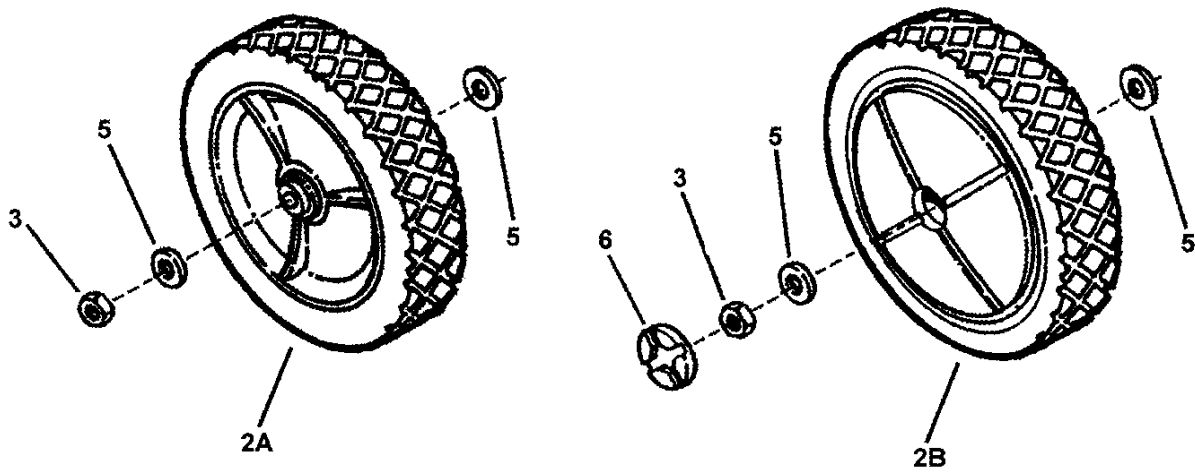
Footnotes:

REAR WHEELS

PUSH MODELS



SELF-PROPELLED MODELS

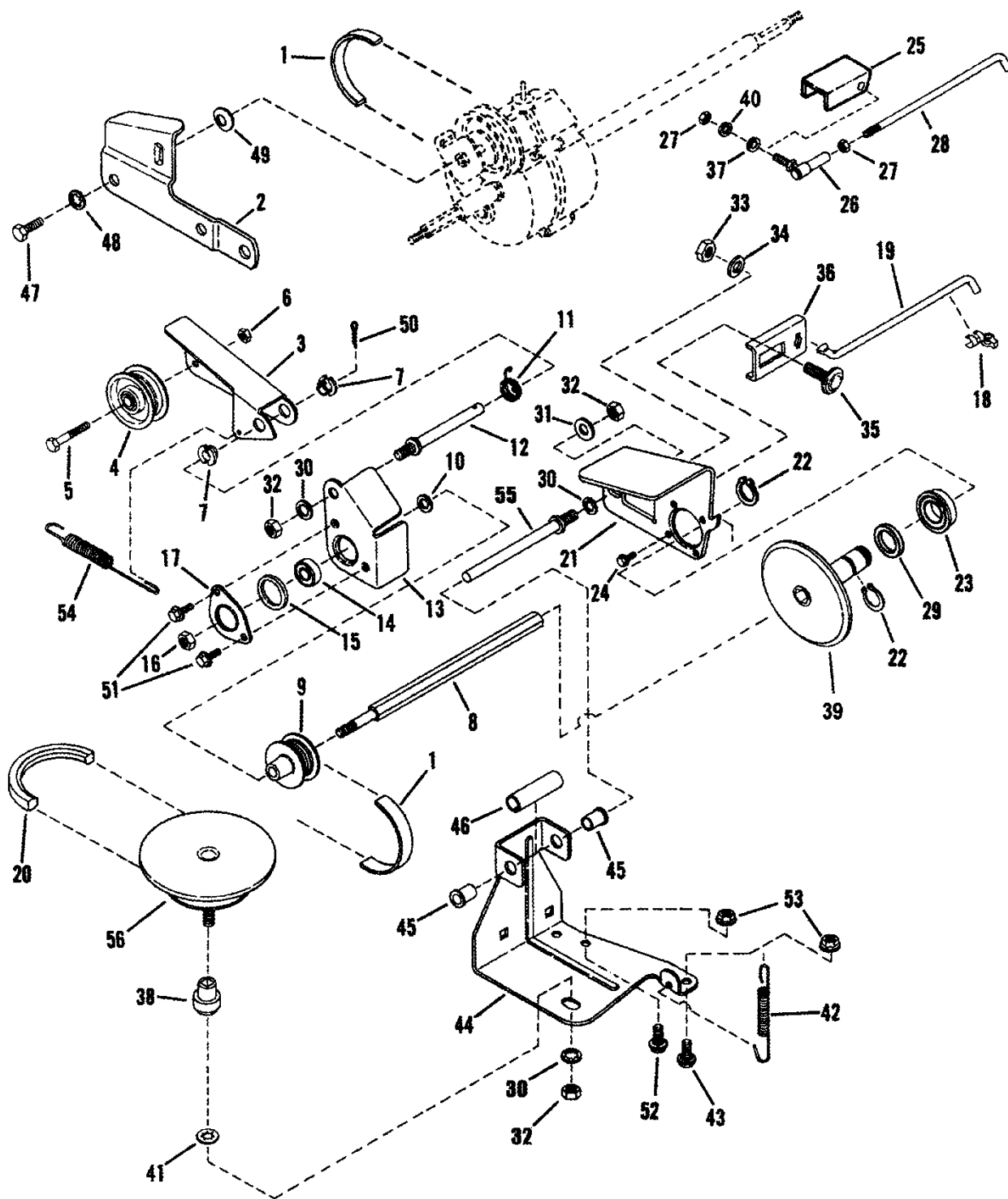


REAR WHEELS

Item	Part No	Qty	Description	Note
1A	7035739	2	WHEEL, 10 x 1.75" Plastic (Push Models)	<i>used on 2002 Model Year and Earlier</i>
1B	7074924	2	WHEEL, 10 x 1.75" Plastic (Push Models)	<i>used on 2003 Model Year and Later</i>
2A	7035740	2	WHEEL, 10 x 1.75" Plastic (Self-Propelled Models)	<i>used on 2002 Model Year and Earlier</i>
2B	7029011	2	WHEEL, 10 x 1.75" Plastic (Self-Propelled Models)	<i>used on 2003 Model Year and Later</i>
3	7090377	2	NUT, 7/16-20 Hex Center Lock Jam	
4	7012309	2	BUSHING, Axle	
5	7031961	4	WASHER, 7/16 x 1" O.D. Flat	
6	7017829	2	PLUG, Wheel	

Footnotes:

DRIVE SYSTEM SELF-PROPELLED PT.1

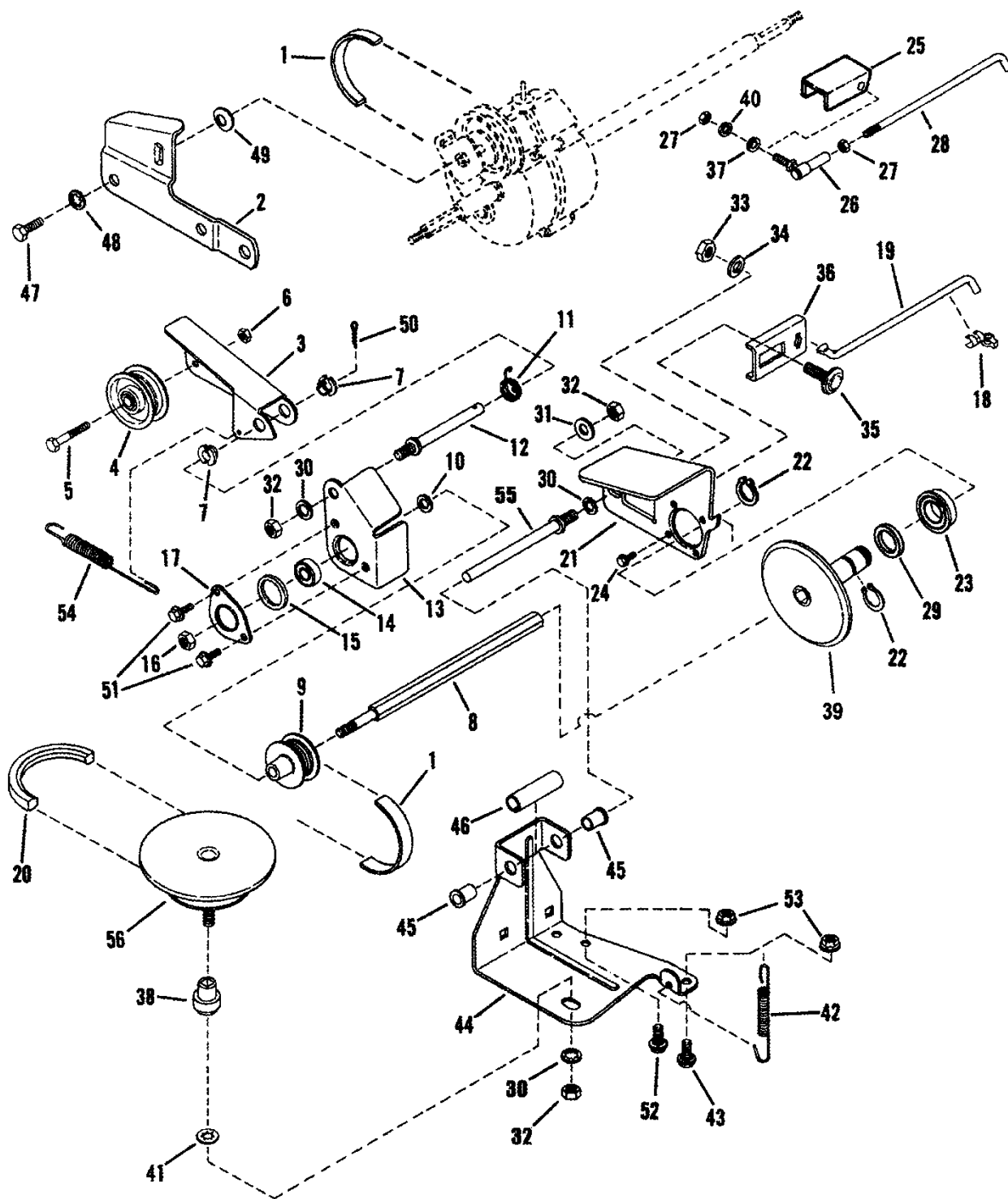


DRIVE SYSTEM SELF-PROPELLED PT.1

Item	Part No	Qty	Description	Note
1	7012354	1	BELT, Poly-Vee	
2	7034179	1	LINK, Differential	
--	7051921		ASSEMBLY, Clutch Idler	<i>(includes items 3 thru 7)</i>
3	7032832	1	ARM, Clutch Idler	
4	7012124	1	PULLEY, Idler	
5	7091025	1	SCREW, 1/4-28 x 1-3/8" Hex Head Cap GR5	
6	7090303	1	NUT, 1/4-28 Hex Top Lock	
7	7012117	2	BUSHING, 3/8" Plastic	
8	7072284	1	SHAFT, Hex Drive	
9	7024521	1	PULLEY, Poly-V, 2" O.D.	<i>Non Commercial Models</i>
10	7012316	1	WASHER, 3/8" Flat	
11	7012126	1	SPRING, Torsion	
12	7012111	1	STUD, Idler (3/8-24 thread)	
13	7031873	1	HOLDER, Bearing (Inner Half)	
14	7028014	1	BEARING, Ball, .38 I.D. Spherical O.D.	
15	7011025	1	O-RING	
16	7090289	1	NUT, 3/8-24 Hex Center Lock GR5 or B	
17	7031809	1	HOLDER, Bearing (Outer Half)	
18	7010937	1	CLIP, 1/4" Right Arc (Transfer Rod)	
19	7023790	1	ROD, Transfer	<i>used on Non-Euro models</i>
20	7046784	1	BELT, Engine Drive 3L (Stretch)	<i>used on Self-Propelled</i>
21	7035477	1	PLATE, Thrust	
22	7010746	2	RING, 5/8" External Retaining	<i>used on Self-Propelled</i>
23	7026693	1	BALL BEARING, 3/4" I.D.	<i>used on Self-Propelled</i>
24	7090981	4	SCREW, #10-32 x 1/4" Self-Tap Machine	
25	7032664	1	SHIELD, Hex Shaft	<i>used on Self-Propelled Euro only</i>
--	7051698	1	ASSEMBLY, Transfer Rod (Incl. items 26, 27 & 28)	<i>used on Self-Propelled Euro only</i>
26	7015753	1	BALL JOINT, 1/4-28	<i>used on Self-Propelled Euro only</i>
27	7090095	1	NUT, 1/4-28 Hex GR5	<i>used on Self-Propelled Euro only</i>
28	7015752	1	LINK, Transfer	<i>used on Self-Propelled Euro only</i>
29	7010121	1	WASHER, 3/4" Shim	
30	7090390	3	WASHER, 3/8" Internal Tooth Lock	
31	7090122	1	WASHER, 3/8" Flat	
32	7091630	3	NUT, 3/8-24 Hex, GR B	
33	7091511	1	NUT, 5/16-18 Hex GR5 or B	<i>Was 90196 (continued on next page)</i>
34	7090187	1	WASHER, 5/16" Split Lock	
35	7090316	1	BOLT, 5/16-18 x 3/4" Short Neck Carriage GR5	<i>Was 91097</i>

Footnotes:

DRIVE SYSTEM SELF-PROPELLED PT.1

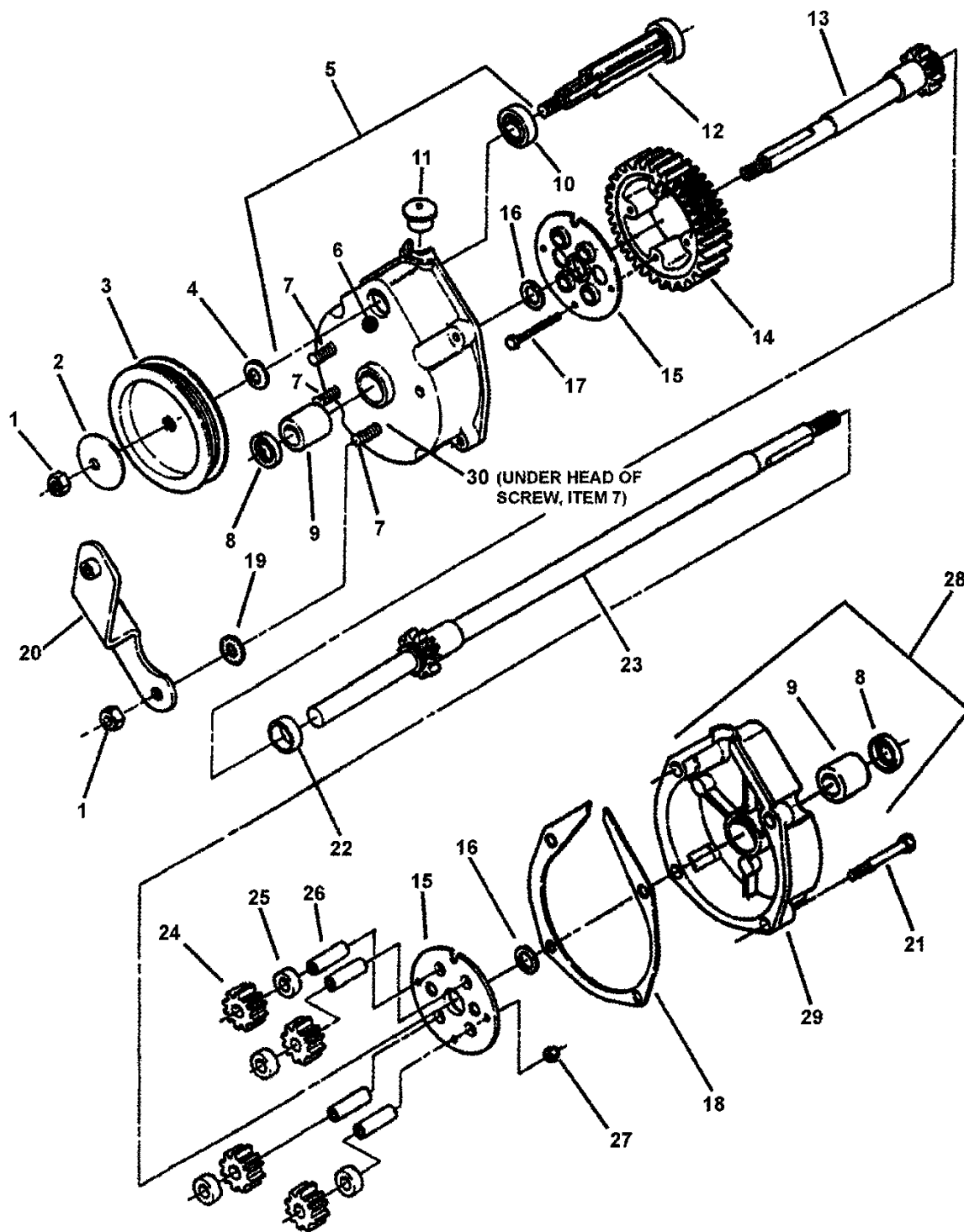


DRIVE SYSTEM SELF-PROPELLED PT.1

Item	Part No	Qty	Description	Note
36	7032831	1	CONNECTOR, Transfer Rod	
37	7091294	1	WASHER, Flat 1/4"	<i>used on Self-Propelled Euro only</i>
38	7017696	1	BUSHING	
39	7041855	1	DISC, Driven (Cantilever)	
40	7090053	1	WASHER, 1/4" Internal Tooth Lock	<i>used on Self-Propelled Euro</i>
41	7013847	1	RETAINER, 3/8" Bolt	
42	7029025	1	SPRING, Wheel Drive	
43	7090799	1	BOLT, 5/16-18 x 5/8" Short Neck Carriage GR5	<i>Was 91026</i>
--	7052987	1	ASSEMBLY, Deck Bracket (Incl. items 44, 45 & 46)	<i>used on 2002 Models & Earlier</i>
44	7033774	1	BRACKET, Deck	
--	7059462	1	BRACKET, Deck (Incl. item 7)	<i>used on 2003 Models & Later</i>
45	7012306	2	BUSHING, large Plastic	
46	7021758	1	SPACER	<i>used on Commercial models</i>
47	7090534	1	SCREW, 5/16-18 x 1/2" Hex Head Cap, GR5	
48	7090391	1	WASHER, 5/16" Internal Tooth Lock	
49	7011724	1	WASHER, Spring	
50	7091597	1	PIN, 3/32 x 1/2" Cotter	<i>Was 90555</i>
51	7091122	2	SCREW, 1/4-20 x 1/2" Hex Washer Self-Tap	<i>Was 90539</i>
52	7090731	1	BOLT, 5/16-18 x 1/2" Short Neck Carriage GR5	
53	7091601	2	NUT, 5/16-18 Hex Flange Lock, GR5	<i>Was 91070</i>
54	7012122	1	SPRING, Clutch	
55	7012125	1	GUIDE, Thrust Plate (3/8-24 thread)	
56	7061275	1	KIT, Drive Disc Assembly	<i>comprised of 73528 (disc), 91302 (nut), 13893 & 17696 (bushings)</i>

Footnotes:

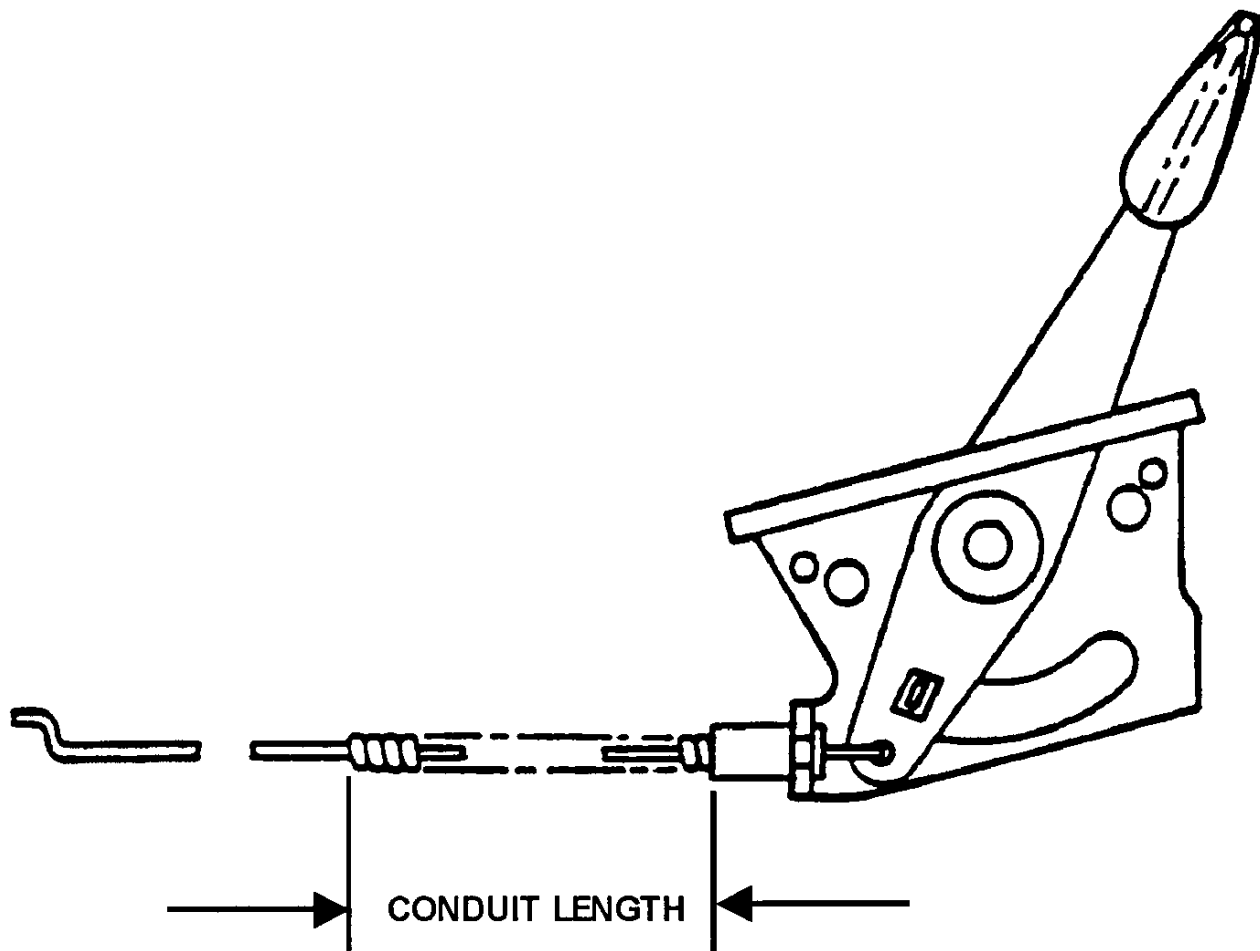
TRANSMISSION (DIFFERENTIAL)



TRANSMISSION (DIFFERENTIAL)

Item	Part No	Qty	Description	Note
--	7059070	1	ASSEMBLY, Transmission	<i>Was 53945 (Includes 1 thru 30)</i>
1	7092062	4	NUT, 5/16-24 Hex Lock, GR C	<i>Was 11201</i>
2	7092063	1	WASHER, Cone	
3	7019213	1	PULLEY, Poly-Vee Belt	
4	7011724	2	WASHER, Spring	<i>only 1 shown</i>
5	7053942	1	ASSEMBLY, Right Housing	<i>(Includes items 6, 7, 8, 9 & 10)</i>
6	7029034	1	HOUSING, Right Side	
7	7014155	3	SCREW, 5/16-24 x 1-1/8" Rib Neck, GR5	
8	7012314	2	SEAL, 5/8" Internal Dia.	
9	7029035	2	BEARING, Tapered- (Differential Housing)	
10	7073963	1	BEARING, Ball, .437 I.D. x 1.125 O.D. x .375 Thk.	<i>Was 11767</i>
11	7016544	1	PLUG, Housing	
12	7050767	1	GEAR, Input	
13	7050830	1	AXLE, Short	
14	7012495	1	GEAR, Differential (46 tooth)	
15	7031970	2	PLATE, 46T Gear	
16	7031965	2	WASHER, Thrust, 3/4" I.D.	
17	7090557	4	SCREW, #10-32 x 1-1/2" Hex Head Cap GR5	<i>only 1 shown</i>
18	7011774	1	GASKET, Housing	
19	7090189	3	WASHER, 5/16" Internal/External Tooth Lock	<i>only 1 shown</i>
20	7051903	1	BRACKET, Differential	
21	7091825	4	SCREW, 1/4-20 x 1-1/4" Hex Washer Self-Tap	<i>only 1 shown</i>
22	7012543	1	SPACER, Axle Gear	
23	7050831	1	AXLE, Long	
24	7021115	4	GEAR, Pinion (12 tooth)	
25	7012500	4	SPACER, Pinion Gear	
26	7011110	4	SHAFT, Pinion	
27	7090376	4	NUT, #10-32 Hex Nyloc	<i>only 1 shown</i>
28	7053939	1	ASSEMBLY, Left Housing	<i>(Includes items 8, 9 & 29)</i>
29	7029033	1	HOUSING, Left	
30	7024442	3	GASKET, 5/8" O. D.	
--	7061017		"00" Grease (32 oz.)	

Footnotes:



THROTTLE CONTROLS

Item	Part No	Qty	Description	Note
--	7029036	1	CONTROL, Throttle (48" long)	<i>used on Briggs 4 Cycle</i>
--	7074829	1	CONTROL, Throttle (46" long)	<i>used on Honda 4 Cycle</i>
--	7075711	1	CONTROL, Throttle (46-3/16" long)	<i>used on Honda 4 Cycle</i>
--	7075712	1	CONTROL, Throttle (49-13/16" long)	<i>used on Briggs 4 Cycle</i>

Footnotes:

Measure cable on mower before ordering.

No
Diagram
Available

Parts List
Only

KIT, MUFFLER DEFLECTOR

Item	Part No	Qty	Description	Note
--	7063302	1	KIT, Muffler Deflector (Includes below 3 items)	<i>used on Honda Model</i>
--	7075292	1	DEFLECTOR, Comp. Muffler	<i>Honda # 18430-ZL8-000</i>
--	7075293	1	CAP, Muffler	<i>Honda # 18348-ZL8-000</i>
--	7075294	4	SCREW, Tapping	<i>Honda # 90055-ZE1-000</i>

Footnotes:

No
Diagram
Available

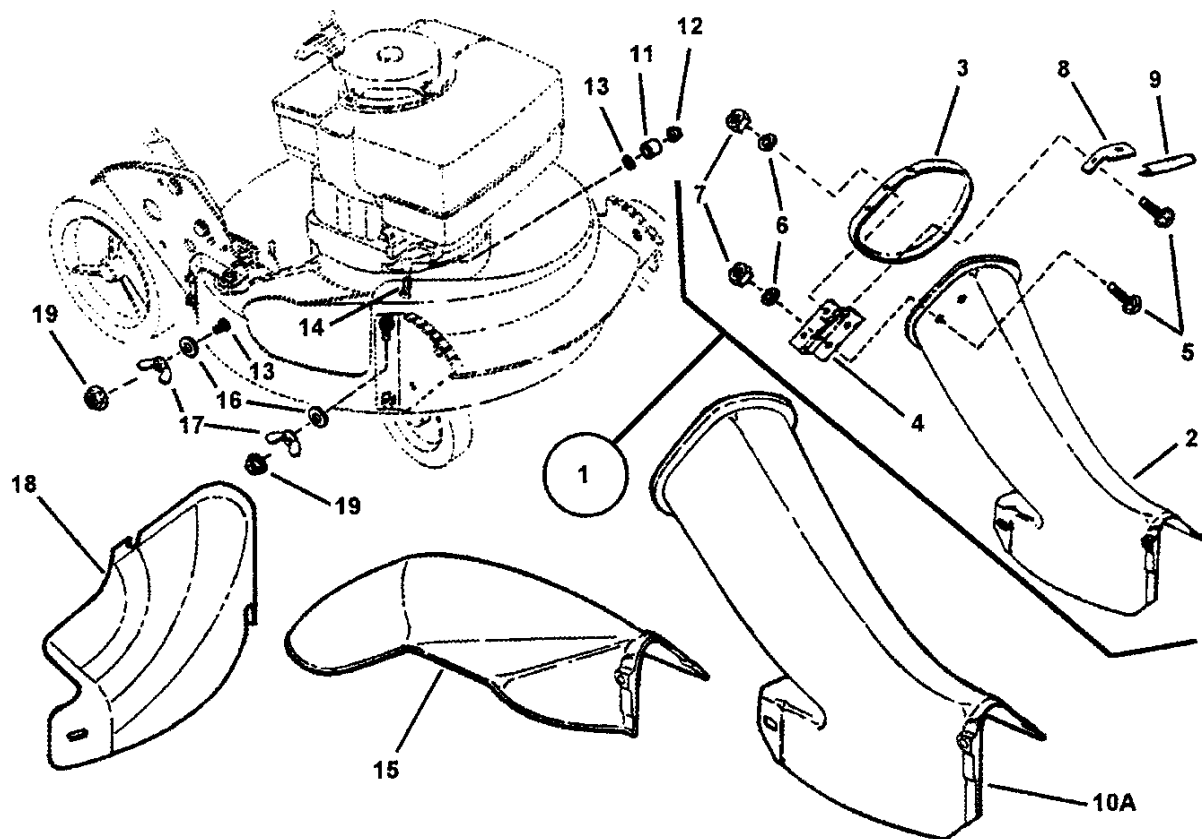
Parts List
Only

ENGINE SPECIFICATIONS

Item	Part No	Qty	Description	Note
--	--	1	ENGINE, 5.5 HP Honda, Recoil	<i>Model GCV160A1A; Type 635170</i>
--	--	1	ENGINE, 6.5 HP B&S, Recoil	<i>Model 123K02; Type 0124-E1</i>
--	--	1	ENGINE, 6.75 HP B&S, Recoil	<i>Model 126602; Type 0113-E1</i>
--	--	1	ENGINE, 6.75 HP B&S, Recoil	<i>Model 126602; Type 0116-E1</i>
--	--	1	ENGINE, 6.75 HP B&S, Electric Start	<i>Model 126607; Type 0115-E1</i>
--	--	1	ENGINE, 6.75 HP B&S, Recoil	<i>Model 126602; Type 0117-E1</i>
--	--	1	ENGINE, 6.75 HP B&S, Recoil	<i>Model 126602; Type 0118-E1</i>
--	--	1	ENGINE, 7 HP B&S, Electric Start	<i>Model 128607; Type 0113-E1</i>
--	--	1	ENGINE, 7 HP B&S, Recoil	<i>Model 128602; Type 0149-E1</i>
--	--	1	ENGINE, 7 HP B&S, Recoil	<i>Model 128602; Type 0112-E1</i>

Footnotes:

SIDE CHUTE, ADAPTER

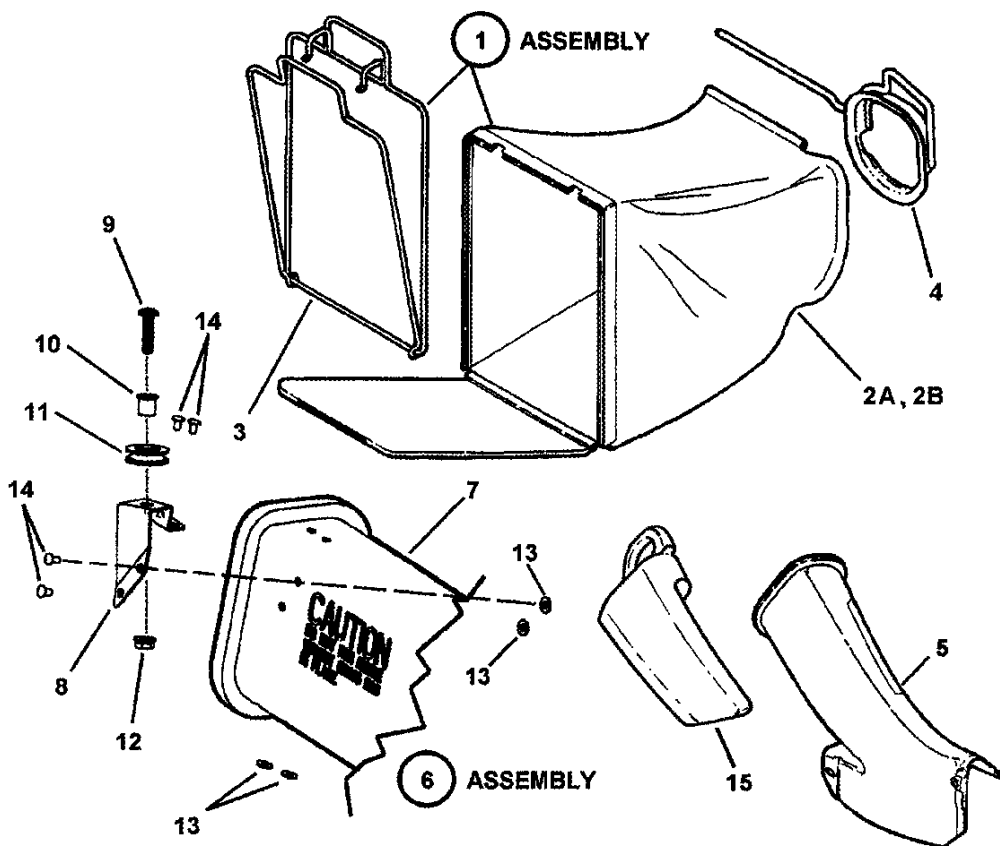


SIDE CHUTE, ADAPTER

Item	Part No	Qty	Description	Note
1	7051951		ASSY, Bag Adapter & Cover (Incl 8 items below)	<i>used on European Models Only</i>
2	7016107	1	ADAPTER, Grass Bag	
3	7019287	1	COVER, Bag Adapter	
4	7023000	1	HINGE, Chute Cover	
5	7091064	5	BOLT, 1/4-20 x 1/2" Short Neck Carriage GR5	
6	7090053	5	WASHER, 1/4" Internal Tooth Lock	<i>Was 91023</i>
7	7091576	5	NUT, 1/4-20 Hex	<i>Was 91100</i>
8	7032661	1	STOP, Cover	
9	7023042	1	MOLDING, Trim	
10A	7016050	1	ADAPTER, Grass Bag	
10B	7058037		ASSEMBLY, Grass Bag Adapter	
11	7024340	1	SPACER, .316 I.D. x .375 O.D. x .310 thick	
12	7090951	1	NUT, 5/16-18 Hex Large Flange Center Lock	
13	7011791	1	RETAINER, 5/16" Bolt	
14	7091508	1	BOLT, 5/16-18 x 3/4" Short Neck Carriage GR5	<i>Was 90001</i>
15	7042965	1	CHUTE, Side	
16	7090122	2	WASHER, 3/8" Flat	<i>Was 91514</i>
17	7024085	2	WING-NUT, 5/16-18 Nyloc	
18	7029149	1	COVER, 21" Deck	
19	7090951	2	NUT, 5/16-18 Hex Large Flange Center Lock	

Footnotes:

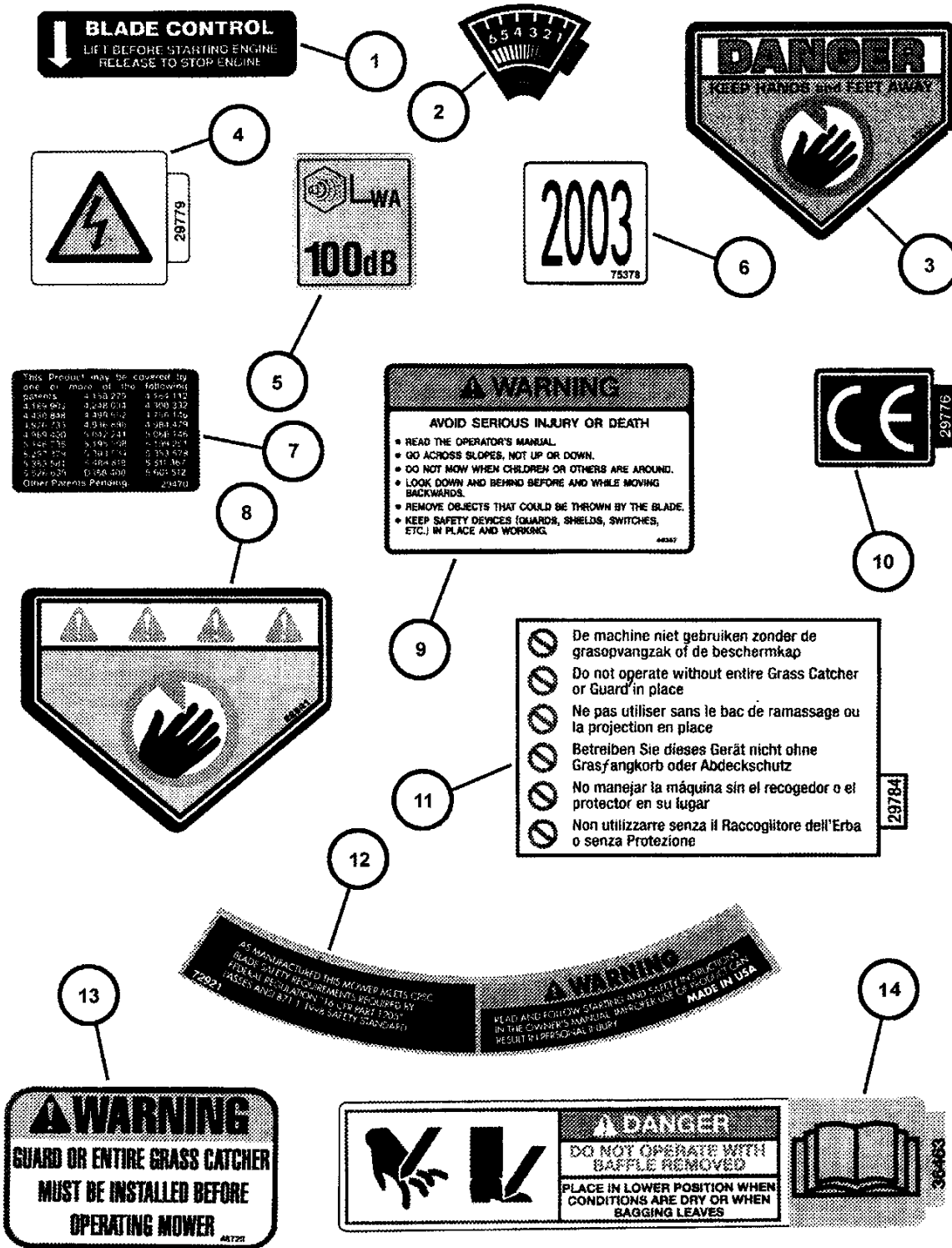
GRASS BAG ACCESSORY



GRASS BAG ACCESSORY

Item	Part No	Qty	Description	Note
--	7061919	1	KIT, Grass Bag Catcher	<i>Was 61824 (Includes 2 thru 5)</i>
1	7059322	1	ASSEMBLY, Grass Bag (Includes 2 thru 4)	<i>Was 54058</i>
2A	7074425	1	BAG, Door Type (Black w/Gold Letters) (12" Wide)	
2B	7075765	1	BAG, Door Type (Black w/Gray Letters) (12" Wide)	<i>NOTE: Bag assembly 58571 is composed of items 2B, 3 & 4.</i>
3	7051906	1	ASSEMBLY, Bag Wire (12" Wide)	
4	7042489	1	CONNECTOR, Grass Bag (weldment)	
5	7016050	1	ADAPTER, Bag	<i>for Euro Bag Adapter ass'y see SIDE CHUTE ADAPTER page.</i>
6	7058037	1	ASSEMBLY, Grass Bag Adapter	<i>(Includes items 7 thru 14)</i>
7	7047081	1	ADAPTER, Bag	
8	7047082	1	BRACKET, Rope Pulley	
9	7091984	1	SCREW, 5/16-18 x 1-1/4" Pan Head Machine	
10	7012306	1	BUSHING, Flange	
11	7024228	1	PULLEY, Plastic	
12	7091601	1	NUT, 5/16-18 Hex Flange Lock GR5	<i>Was 91070</i>
13	7072107	4	WASHER, 15/32" Flat	
14	7013860	4	RIVET, 3/16 x .344	
15	7016814	1	PLUG, Chute Adapter	

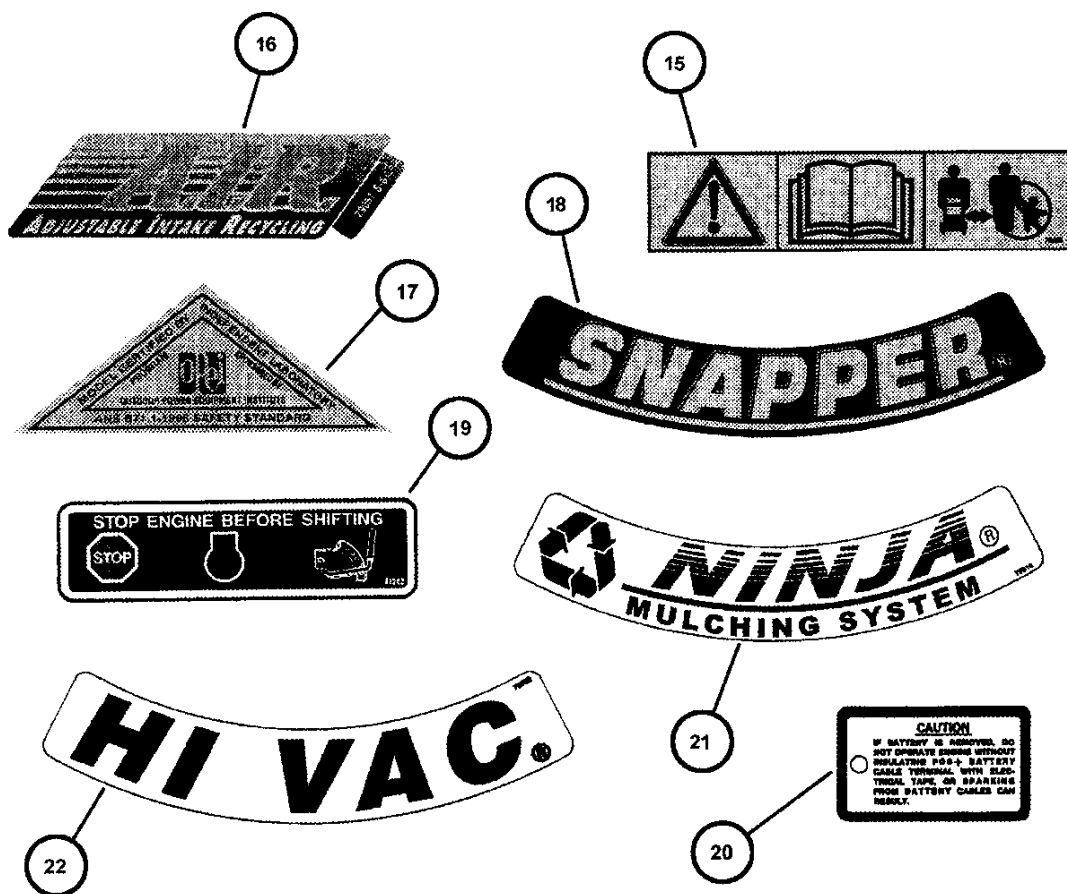
Footnotes:



DECALS PT. 1

Item	Part No	Qty	Description	Note
1	7024211	1	DECAL, Blade Control	
2	7024087	1	DECAL, Speed Select	<i>used on Self-Propelled models</i>
3	7013010	1	DECAL, Danger, Cut Finger	
4	7029779	1	DECAL, Spark Plug International Symbol	
5	7074135	1	DECAL, Noise (European)	
6	7073433	1	DECAL, 2001 Year of Manufacture	<i>not shown</i>
--	7074548	1	DECAL, 2002 Year of Manufacture	<i>not shown</i>
--	7075378	1	DECAL, 2003 Year of Manufacture	<i>shown</i>
7	7029470	1	DECAL, Patent Numbers	
8	7022841	1	DECAL, Warning (Euro)	
9	7046357	1	DECAL, Warning	
10	7029776	1	DECAL, Euro Community (CE)	
11	7029784	1	DECAL, Deck/Chute (European)	
12	7072921	1	DECAL, Deck Warning	
13	7046720	1	DECAL, Warning Chute/Deflector	
14	7036463	1	DECAL, Front Baffle	<i>used on "FRP" & "EFRP" Air Models only</i>

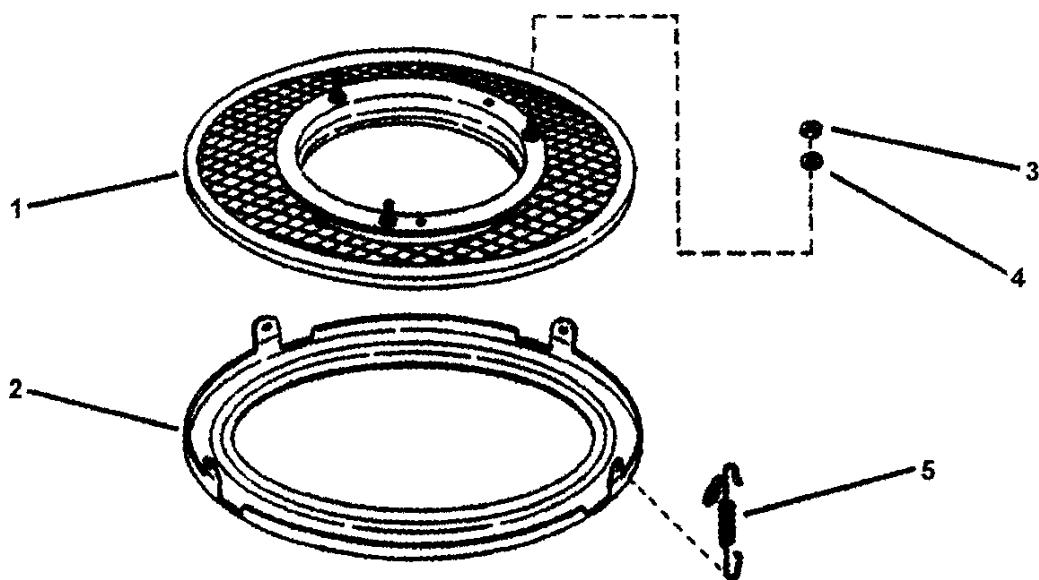
Footnotes:



DECALS PT. 2

Item	Part No	Qty	Description	Note
15	7073462	1	DECAL, Caution Symbols	
16	7029057	1	DECAL, Medallion	
17	7073335	1	DECAL, OPEI	
18	7074386	1	DECAL, SNAPPER (Commercial)	<i>gold letters/red border/black background</i>
--	7075618	1	DECAL, SNAPPER	<i>gray letters/red border/black background</i>
19	7041942	1	DECAL, Shift Warning	<i>used on Self-Propelled models</i>
20	7016134	1	DECAL, Caution Tag	<i>not used in 2003 model year</i>
21	7075619	1	DECAL, Ninja	
22	7075750	1	DECAL, Hi-Vac	

Footnotes:

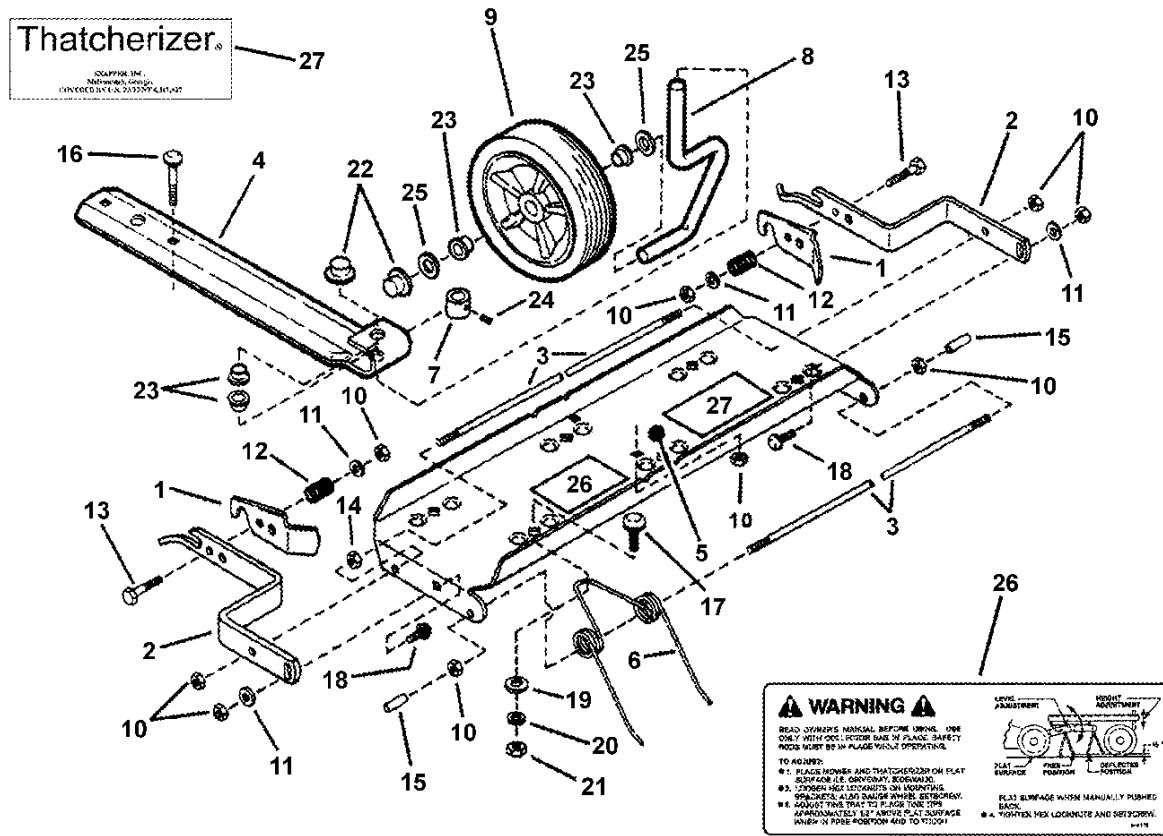


SNAPPERIZER ACCESSORY

Item	Part No	Qty	Description	Note
--	7060440	1	KIT, Snapperizer (Incl. items 1 & 2 thru 5)	<i>used on Hi-Vac Rolled Under-Lip Decks</i>
--	7063041	1	KIT, Snapperizer (Incl. items 1 & 2A thru 5)	<i>used on "FR" Type Decks</i>
1	7051243	1	SCREEN, Fastener Assembly	
2	7039759	1	RING, Bottom (21.77" Inside Diameter)	
2A	7072002	1	RING, Bottom (22.60" Inside Diameter)	
3	7091297	3	NUT, 5/16-24 Hex, GR5	<i>Was 90223, only 1 shown</i>
4	7090187	3	WASHER, 5/16" Split Lock	<i>only 1 shown</i>
5	7012587	3	SPRING	<i>only 1 shown</i>

Footnotes:

THATCHERIZER ACCESSORY

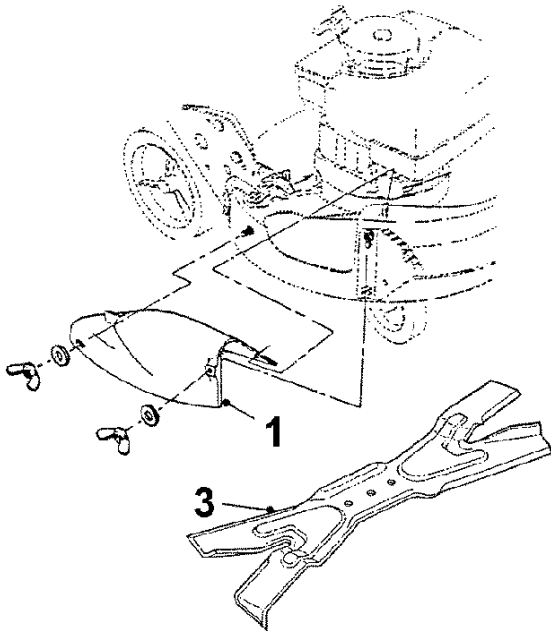


THATCHERIZER ACCESSORY

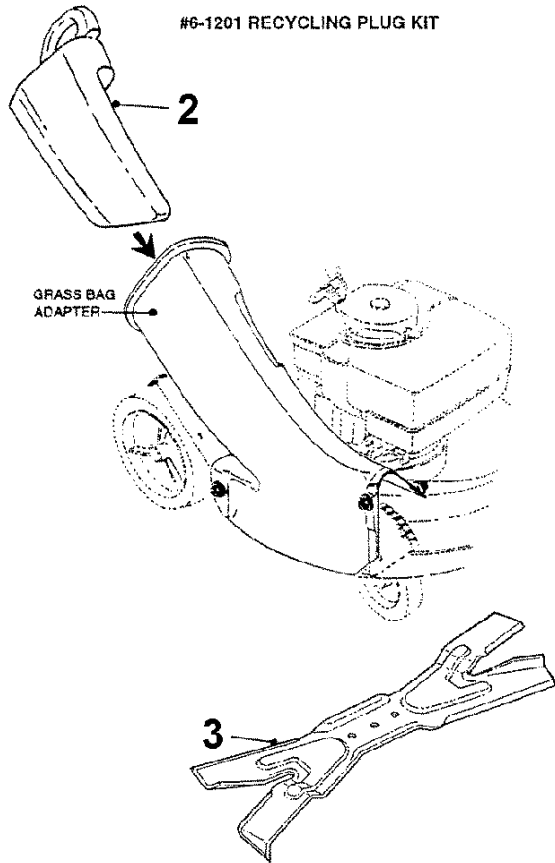
Item	Part No	Qty	Description	Note
--	7061256	1	KIT, Thatcherizer (Incl. items 1 thru 27)	
1	7032891	2	LATCH, Frame Attachment	
2A	7026572	1	BAR, Mount (Right Hand)	
2B	7026573	1	BAR, Mount (Left Hand)	
3	7018499	2	ROD, Tine	
4	7018700	1	SUPPORT, Wheel	
5	7019948	1	TRAY, Tine	
6	7018496	6	KIT, Tine Thatching Spring	Was 60574
7	7014100	1	BUSHING, Wheel Adjuster	
8	7018493	1	AXLE, Wheel	
9	7018189	1	WHEEL, 7.00 x 1.50 Gage	
10	7091705	10	NUT, 1/4-20 Hex Top Lock	Was 90761 (only 9 shown)
11	7091294	4	WASHER, 1/4" Flat	Was 90055
12	7022425	2	SPRING, Compression	
13	7090825	2	BOLT, 1/4-20 x 1-1/4" Hex, GR5	
14	7091576	2	NUT, 1/4-20 Hex, GR5	Was 90063
15	7022424	2	CAP, Vinyl	
16	7090015	2	BOLT, 1/4-20 x 2-1/2" Square Neck Carriage	only 1 shown
17	7091303	6	BOLT, 5/16-18 x 1" Square Neck Carriage, GR5	Was 90383 (only 1 shown)
18	7091530	2	BOLT, 1/4-20 x 3/4" Square Neck Carriage, GR5	Was 90074
19	7014098	6	WASHER, Reinforcing	only 1 shown
20	7090187	6	WASHER, 5/16" Split Lock	only 1 shown
21	7091511	6	NUT, 5/16-18 Hex, GR5	Was 90196 (only 1 shown)
22	7014101	2	NUT, 1/2" Push	
23	7014342	4	BEARING, Nyliner	
24	7014103	1	SCREW, 5/16-18 x 1/4" Set	
25	7090250	2	WASHER, 1/2" Flat	
26	7014115	1	DECAL, Adjustment	
27	7014062	1	DECAL, Thatcherizer	

Footnotes:

#6-1200 RECYCLING COVER KIT



#6-1201 RECYCLING PLUG KIT

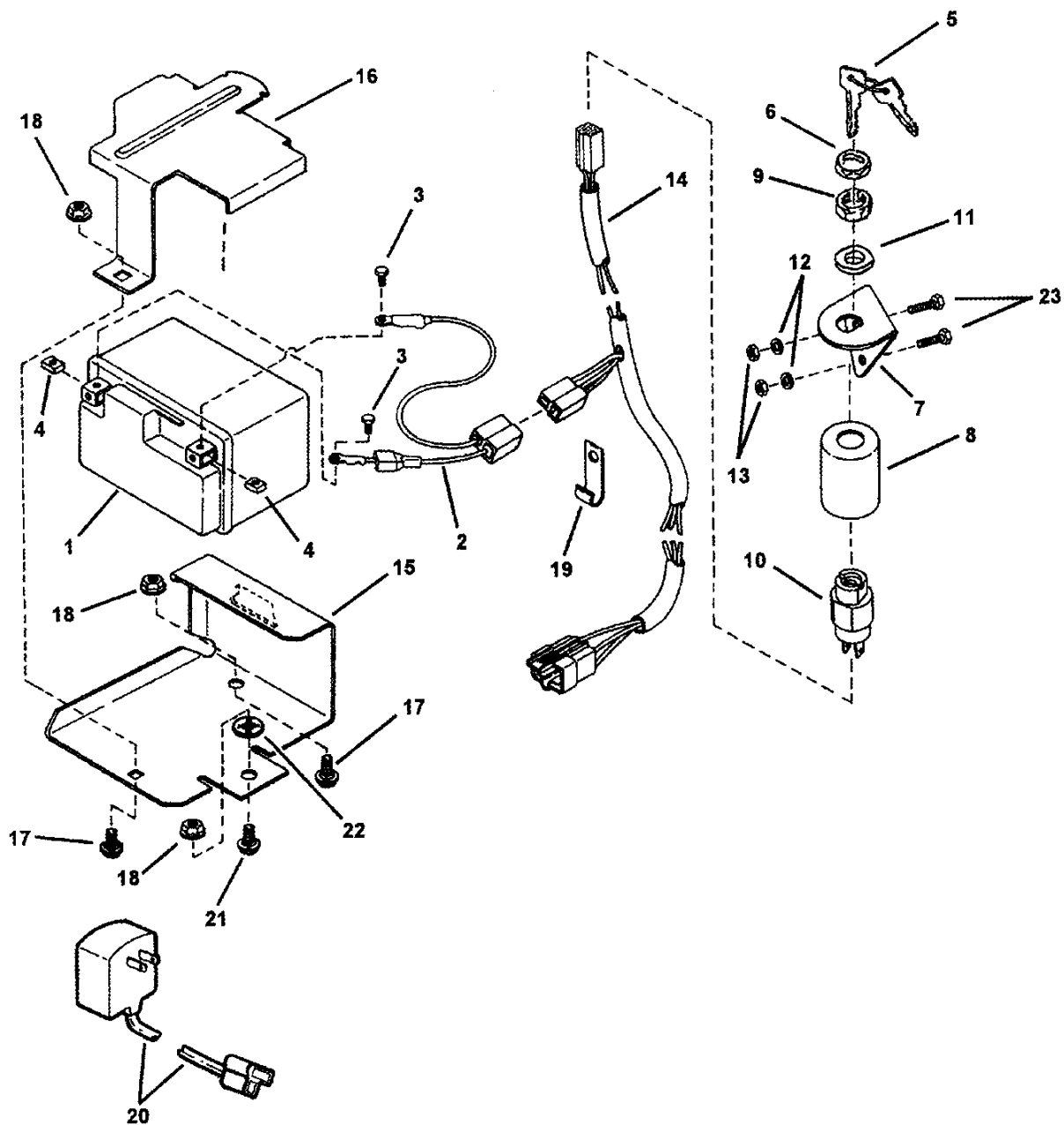


RECYCLING KITS ACCESSORY

Item	Part No	Qty	Description	Note
	7061200		KIT, Recycling Cover (Includes the 2 items below)	<i>for 4HP & above engines</i>
	7061201		KIT, Recycling Plug (Incl. items 1 & 2 below)	<i>for 4HP & above engines</i>
1	7029149	1	COVER, 21" Deck	
2	7016814	1	PLUG, Chute Adapter	
3	7026407	1	BLADE, 21" Quad Edge Ninja	

Footnotes:

ELECTRIC START COMPONENTS

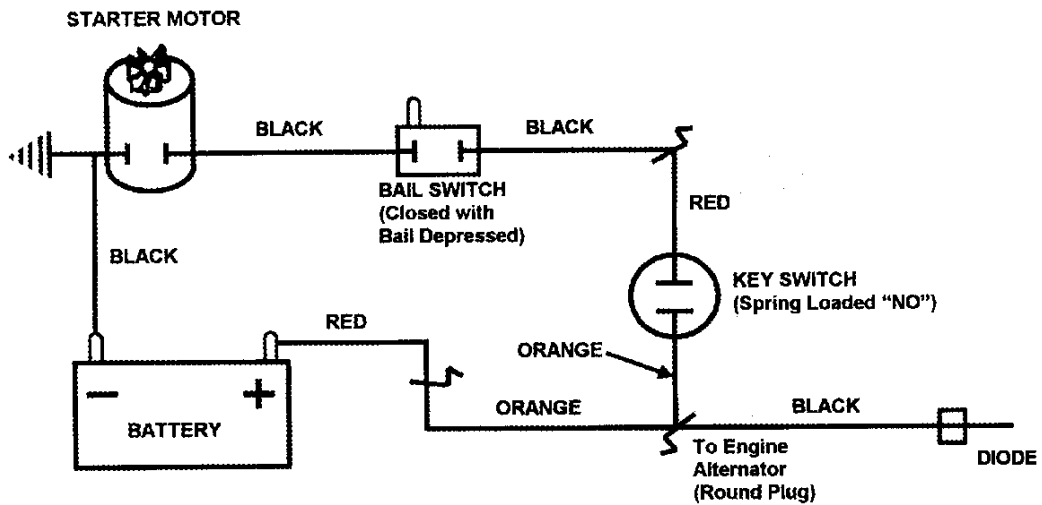


ELECTRIC START COMPONENTS

Item	Part No	Qty	Description	Note
--	7067012	1	KIT, Battery (Includes 4 items below)	
1	7067012	1	BATTERY, 12 Volt, 35 CCA	<i>Was 19763</i>
2	7015488	1	HARNESS, Battery	
3	7043977	2	SCREW, #10-24 x 1/2" Pan Head Machine	
4	7090932	2	NUT, #10-24 Square	
--	7058120	1	ASSEMBLY, Switch/Bracket (Incl items 5 thru 10)	
5	7011138	1	KEY (Set of Two)	
6	7023506	1	BEZEL (Seal & Face Nut)	
7	7071972	1	BRACKET, Ignition Switch	
8	7029080	1	COVER, Switch	
9	7012685	1	NUT, 5/8-32 Hex Lock	
10	7028765	1	SWITCH, Ignition (spring loaded ON/OFF 2 prong)	
11	7016132	1	SPACER	
12	7090053	2	WASHER, 1/4" Internal Tooth Lock	<i>Was 91023</i>
13	7090095	2	NUT, 1/4-28 Hex, GR5 or B	<i>Was 91024</i>
14	7074383	1	HARNESS, Wiring	
15	7032906	1	BRACKET, Battery	
16	7036132	1	COVER, Battery	
17	7090731	2	BOLT, 5/16-18 x 1/2" Short Neck Carriage GR5	
18	7091601	3	NUT, 5/16-18 Hex Flange Lock, GR5	<i>Was 90585</i>
19	7012652	1	CLIP, Wiring	
20	7061188	1	CHARGER, Battery (120 Volt; 60 Hertz)	<i>Was 18834</i>
--	7018977	1	CHARGER, Battery (230 Volt; 50 Hertz)	
21	7090799	1	BOLT, 5/16-18 x 5/8" Short Neck Carriage GR5	<i>Was 91026</i>
22	7011791	1	RETAINER, 5/16" Bolt	
23	7091025	2	SCREW, 1/4-28 x 1-3/8" Hex Head Cap GR5	

Footnotes:

WIRING SCHEMATIC



WIRING SCHEMATIC FOR 6HP BRIGGS ENGINE

WIRING SCHEMATIC

Item	Part No	Qty	Description	Note
--	--		WIRING SCHEMATIC FOR BRIGGS & STRATTON ELECTRIC STARE ENGINE	

Footnotes:

Parts Manual for

SNAPPER®

21" STEEL DECK WALK BEHIND MOWERS SERIES 17

IT IS THE POLICY OF SNAPPER TO IMPROVE ITS PRODUCTS
WHENEVER IT IS POSSIBLE AND PRACTICAL TO DO SO. WE
RESERVE THE RIGHT TO MAKE CHANGES OR ADD IMPROVEMENTS
AT ANY TIME WITHOUT INCURRING ANY OBLIGATION TO MAKE
SUCH CHANGES ON PRODUCTS MANUFACTURED PREVIOUSLY.

SNAPPER® McDonough, GA, 30253 U.S.A.