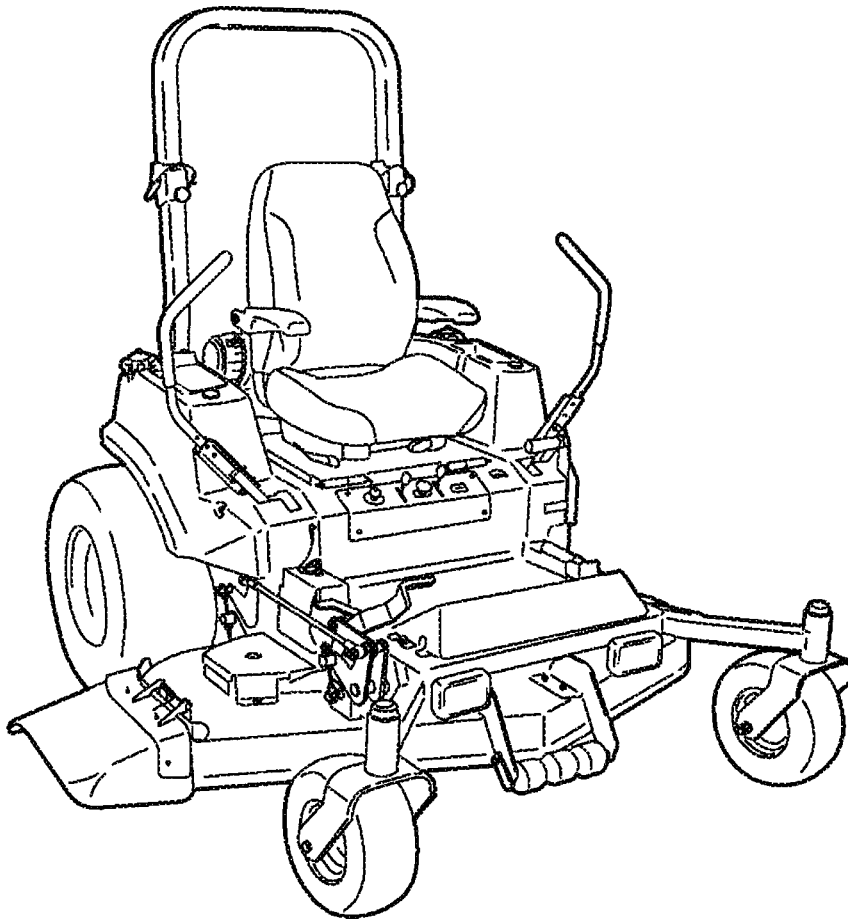


Parts Manual for

SNAPPER®

MID MOUNT LARGE FRAME Z-RIDER ZERO TURNING HYDRO DRIVE NZMX SERIES 4

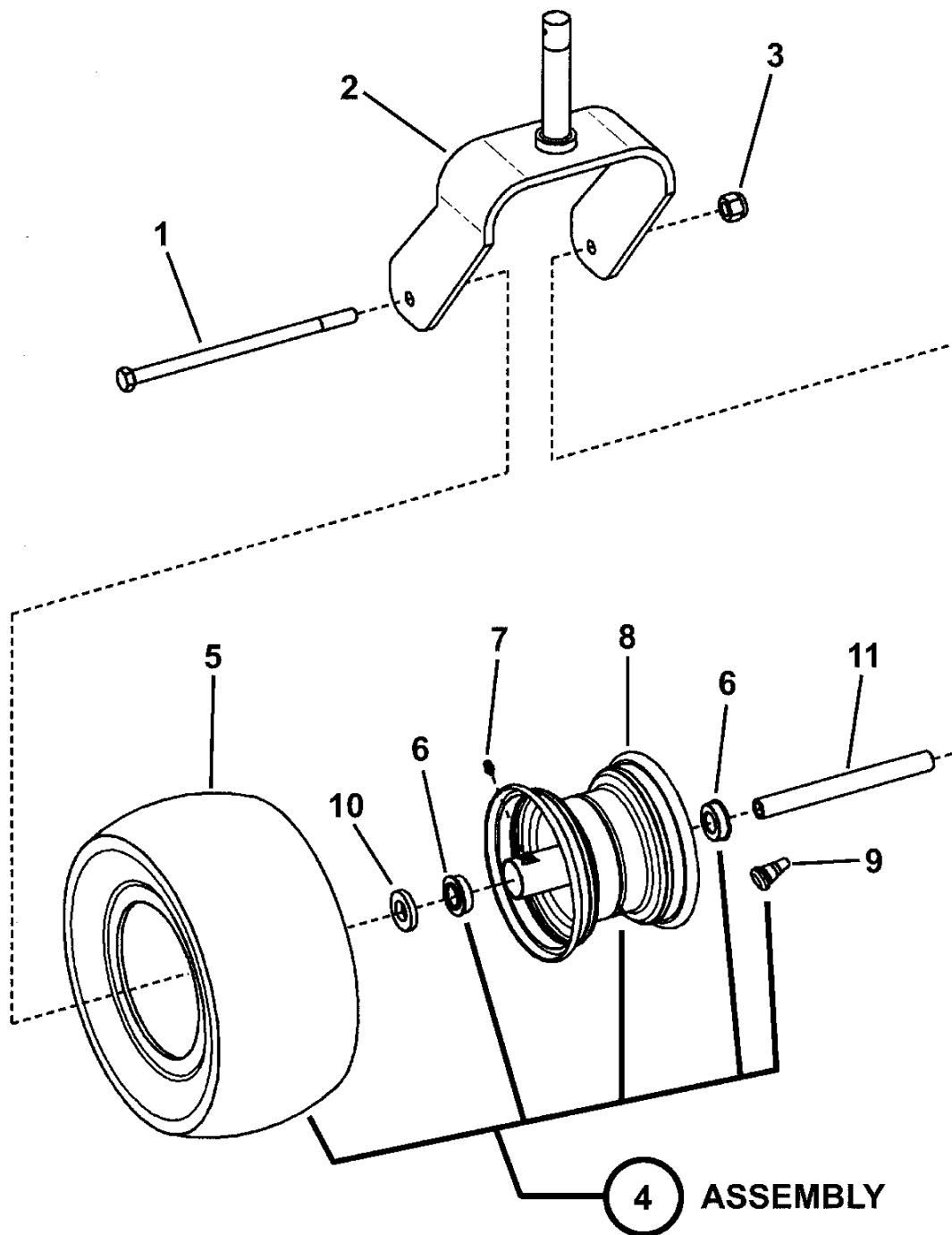


MODEL
NZMX30614KH
NZMX32734BV

SNAPPER® McDonough, GA, 30253 U.S.A.

PAGE	GROUP
4	CASTER WHEEL ASSEMBLY
6	DRIVE TIRE & WHEEL ASSEMBLY
8	FRONT CHASSIS ASSEMBLY (Frame)
10	FRONT CHASSIS ASSEMBLY (Deck Lift)
14	REAR CHASSIS, PUMPS & PULLEYS
16	TRACTION DRIVE ASSEMBLY
18	HOSE & CONNECTOR ASSEMBLY
20	WHEEL MOTOR ASSEMBLY
22	TWIN STICK CONTROL ASSEMBLY
26	PARKING BRAKE ASSEMBLY
28	HYDRO RESERVOIR ASSEMBLY
30	FUEL TANK ASSEMBLY
32	ENGINE GROUP
34	SEAT ASSEMBLY
36	BUMPER ASSEMBLY
38	ROLL BAR PROTECTIVE STRUCTURE
40	61" CUTTING DECK ASSEMBLY (Sub Assy)
44	61" CUTTING DECK ASSEMBLY (Final Assy)
46	IDLER ASSEMBLY (61" Deck)
48	73" CUTTING DECK ASSEMBLY (Sub Assy)
52	73" CUTTING DECK ASSEMBLY (Final Assy)
54	IDLER ASSEMBLY (73" Deck)
56	DECK SPINDLE ASSEMBLIES
58	DECALS
60	CONTROL PANEL ASSEMBLY
62	ELECTRICAL COMPONENTS
64	WIRING HARNESS (Briggs Engines)
66	WIRING HARNESS (Kohler Engines)
68	WIRING SCHEMATIC (Briggs Engines)
70	WIRING SCHEMATIC (Kohler Engines)

CASTER WHEEL ASSEMBLY

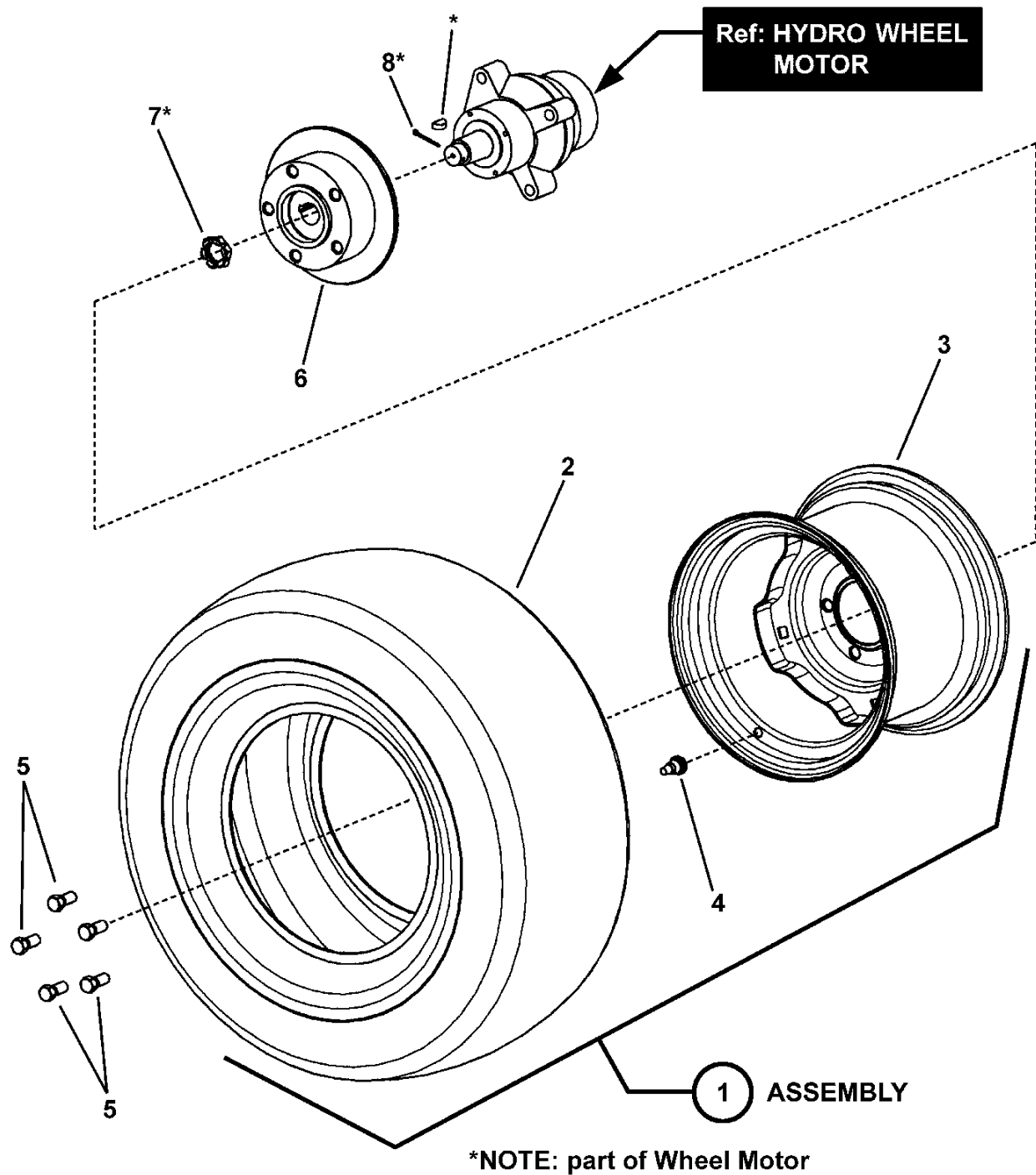


CASTER WHEEL ASSEMBLY

Item	Part No	Qty	Description	Note
1	7092094	2	SCREW, 1/2-13 x 9-1/2" Hex Head Cap, GR 5	
2	7075398	2	WELDMENT, Caster Yoke, 7-1/4" Wide	
3	7091325	2	NUT, 1/2-13 Hex Nyloc	
4	7075461	2	ASSEMBLY, Wheel & Tire	
4	7072795	2	ASSY, Wheel & Tire, 13 x 6.50-6 (Incl. items 5A & 8A)	
5	7075463	1	TIRE, 13 x 6-6.5 4 Ply	
5A	7078277	1	TIRE, 13 x 6-6.50-6 4 Ply Smooth TL (not shown)	
6	7028722	2	BALL BEARING, Heim .750	<i>Heim Unibal # RF 12-22-14AP</i>
7	7012700	1	FITTING, 1/4-28 Lube	<i>Tapered Head w/Ball Check</i>
8	7075460	1	WELDMENT, Front Wheel Rim	
8A	7078285	1	ASSEMBLY, Painted Rim (not shown)	<i>Assembly includes Grease Fitting & 2 Ball Bearings.</i>
9	7012234	1	AIR VALVE STEM & Cap	<i>Goodyear # TR-412 or equivalent</i>
10	7075883	2	SPACER	
11	7075462	2	SPACER, Bearing, 7.29" Long	

Footnotes:

DRIVE TIRE & WHEEL ASSEMBLY

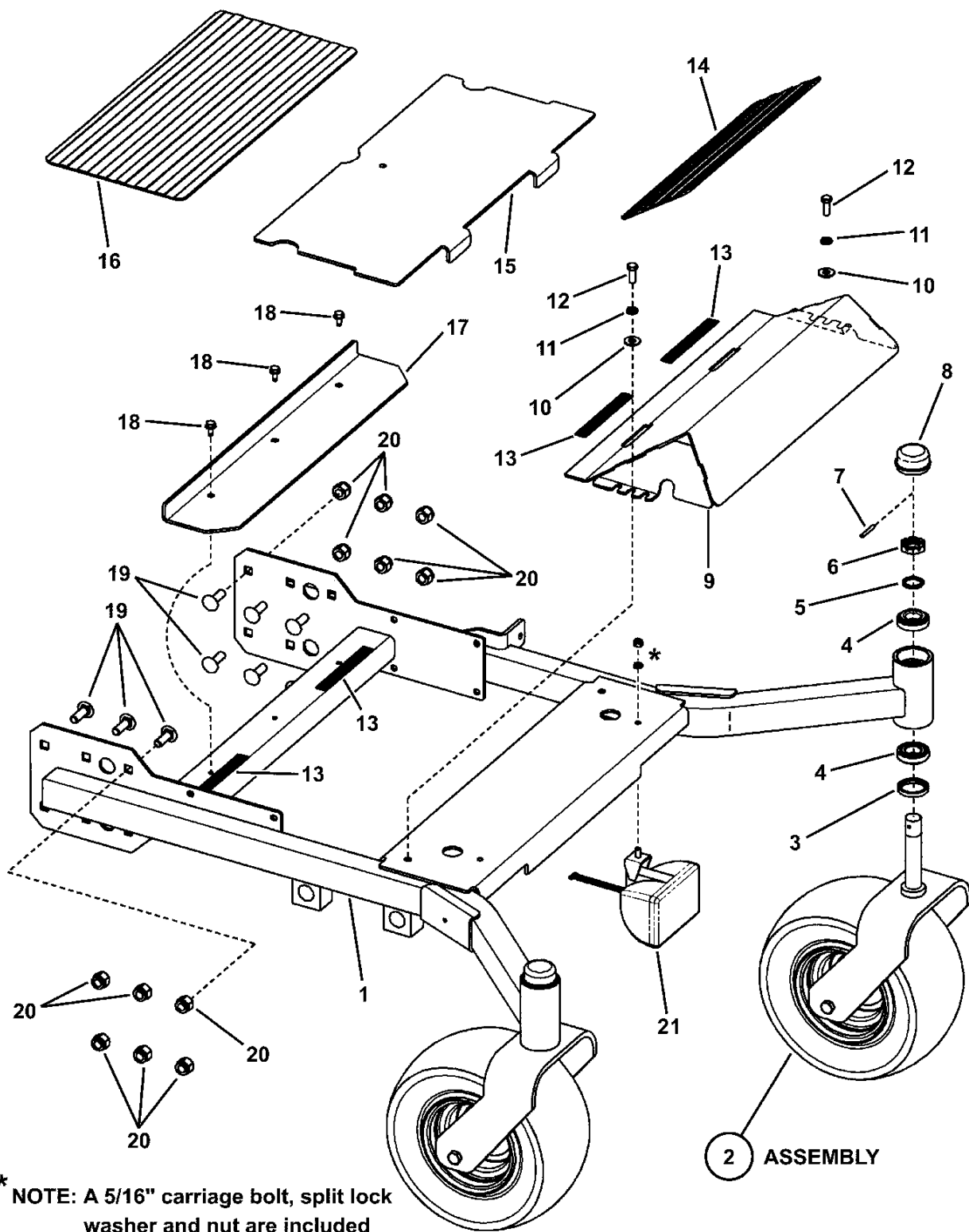


DRIVE TIRE & WHEEL ASSEMBLY

Item	Part No	Qty	Description	Note
1	7100524	2	TIRE ASSEMBLY, 26" x 12-2 Multi-Trac	
2	7072888	1	TIRE, 26 x 12.00-12 4 Ply Titan Multi-Trac	
3	7100297	1	RIM, 12 x 8.50 5/4.5 RAW	
4	7012234	1	AIR VALVE STEM & Cap	<i>Goodyear # TR-412 or equivalent</i>
5	7092073	10	LUG BOLT, 1/2-20 UNF x 7/8"	
6	7071819	2	DRUM, Brake (Ausco)	
7	7092083	2	CASTLE NUT, 1-14 UNF, GR B	<i>included as part of wheel motor</i>
8	7091809	2	COTTER PIN, 1/8 x 1-1/4"	<i>included as part of wheel motor</i>
		2	KEY, Woodruff	<i>included as part of wheel motor</i>

Footnotes:

FRONT CHASSIS ASSEMBLY (Frame)

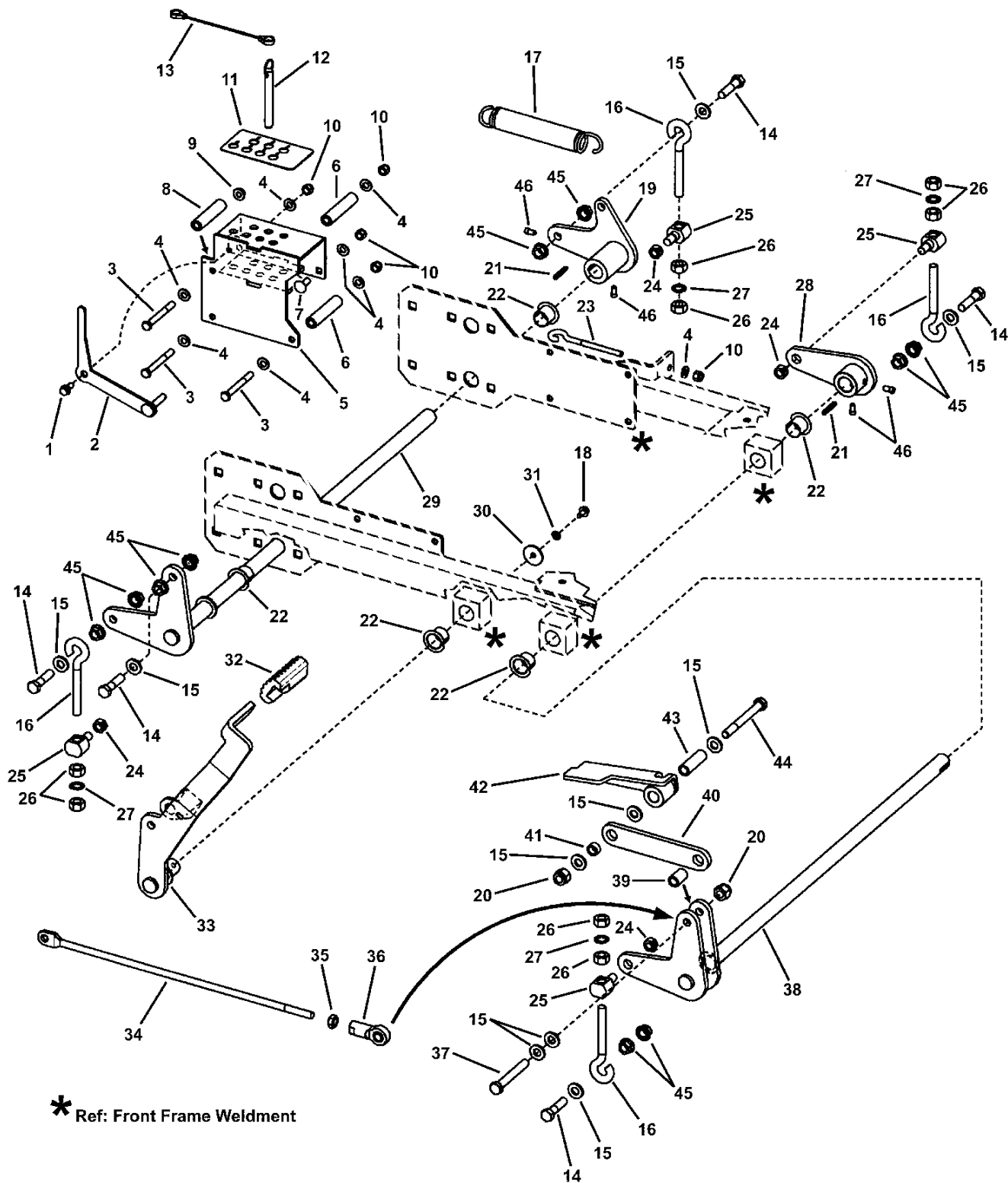


FRONT CHASSIS ASSEMBLY (Frame)

Item	Part No	Qty	Description	Note
1	7400018	1	WELDMENT, Front Frame	
2		2	GROUP, Front Wheel	<i>ref: Caster Wheel Assembly Page</i>
3	7074723	2	GREASE SEAL	
4	7058554	4	BEARING, Tapered Roller	<i>7074706 (tapered roller brg.) & 7074707 (inner race)</i>
5	7029137	2	SPACER, Jackstaff	
6	7092083	2	CASTLE NUT, 1-1/ UNF, GR B	
7	7090841	2	ROLL PIN, 3/16 x 1-1/2"	
8	7074537	2	CAP, Dust	
9	7400114	1	WELDMENT, Foot Pedestal	
10	7090517	2	WASHER, 3/8" Flat SAE	
11	7090118	2	WASHER, 3/8" Split Lock	
12	7091304	2	SCREW, 3/8-16 x 1" Hex Head Cap, GR 5	
13	7041818	4	PAD, Floor Board Support	
14	7100275	1	FLOOR MAT, Top	
15	7300145	1	FOOTPAN	
16	7100277	1	FOOTPAN, Mat	
17	7300209	1	FOOT STAND, LFNZM	
18	7090361	4	SCREW, 5/16-18 x 5/8" Hex Washer Self-Tap	
19	7090768	12	BOLT, 1/2-13 x 1-1/2" Square Neck Carriage, GR 5	
20	7091325	12	NUT, 1/2-13 Hex Nyloc	
21	7100527	2	HEADLIGHT, w/Connectors	<i>Also shown on Electronic Components page.</i>

Footnotes:

FRONT CHASSIS ASSEMBLY (Deck Lift)

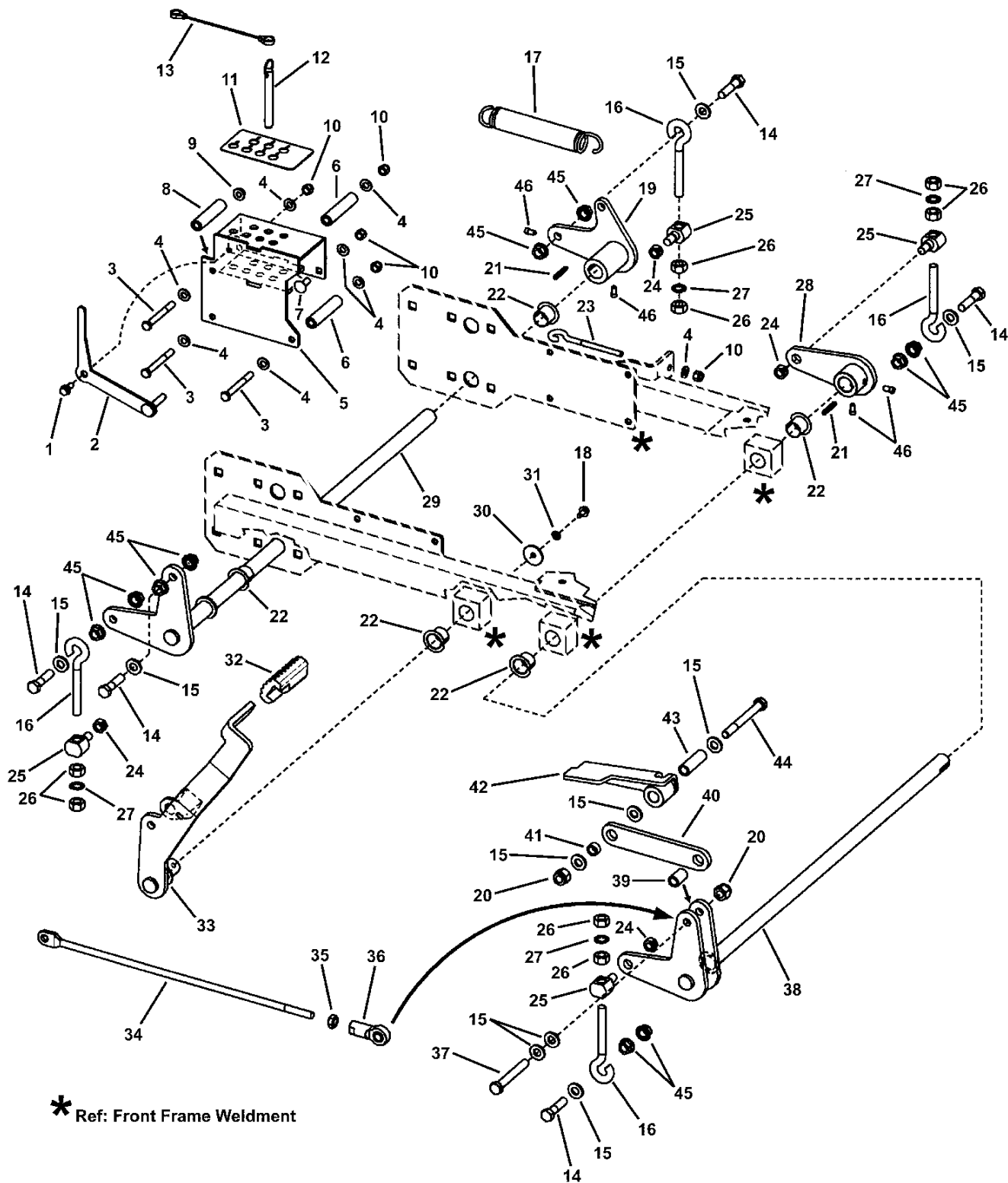


FRONT CHASSIS ASSEMBLY (Deck Lift)

Item	Part No	Qty	Description	Note
1	7015761	1	SHOULDER BOLT, 5/16-18	
2	7400161	1	WELDMENT, Transport Lever	
3	7090591	3	SCREW, 3/8-16 x 4-1/2 Hex Head Cap, GR 5	
4	7090122	8	WASHER, 3/8" Flat SAE	
5	7400087	1	WELDMENT, Detent	
6	7200075	2	SPACER LIFT	
7	7091640	1	BOLT, 3/8-16 x 1" Square Neck Carriage, GR 5	
8	7200080	1	DETENT SPACER, Upper	
9	7090951	1	NUT, 5/16-18 Large Flange Hex Center Lock	
10	7091299	5	NUT, 3/8-16 Hex Nyloc	
11	7100652	1	DECAL, Detent Channel	
12	7100804	1	CLIP, Roll Pin, 1/2"	
13	7075086	1	STRAP, Tether	
14	7090543	5	SCREW, 1/2-13 x 2" Hex Head Cap, GR 5	
15	7091587	10	WASHER, .531 I.D. Flat	
16	7101001	4	EYEBOLT, 1/2-13 Open	or 7074700
17	7035667	1	SPRING, Extension, Lift Assist	
18	7090361	1	SCREW, 5/16-18 x 5/8" Hex Washer Self-Tap	
19	7400050	1	WELDMENT, Bell Crank	
20	7091325	2	NUT, 1/2-13 Hex Nyloc	
21	7091803	2	KEY, 3/16" Square x 1-1/2"	
22	7073326	5	BUSHING, Teflon	
23	7044860	1	EYEBOLT, 3/8-16 x 3"	spring anchor
24	7091894	4	NUT, 1/2-13 Hex Center Lock, GR 5	
25	7075782	4	SWIVEL, Rear Lift (1/2-13 thread)	
26	7091316	8	NUT, 1/2-13 Hex GR B	
27	7090509	4	WASHER, 3/8" Internal Tooth Lock	
28	7400051	1	WELDMENT, Front Lift LH	
29	7400049	1	WELDMENT, Rear Lift	
30	7092063	1	WASHER, 5/16" Belleville	
31	7091315	1	WASHER, 5/16" Split Lock	
32	1715834	1	PEDAL, Rubber	
33	7400147	1	WELDMENT, Foot Assist	
34	7100274	1	ROD, Transfer (1/2-20 thread)	
35	7090559	1	NUT, 1/2-20 Hex Jam, GR 5 or B	
36	7073012	1	ROD END, 1/2-20 Female	
37	7029355	1	BOLT, 1/2-13 x 3-3/4" Hex Head Cap	

Footnotes:

FRONT CHASSIS ASSEMBLY (Deck Lift)

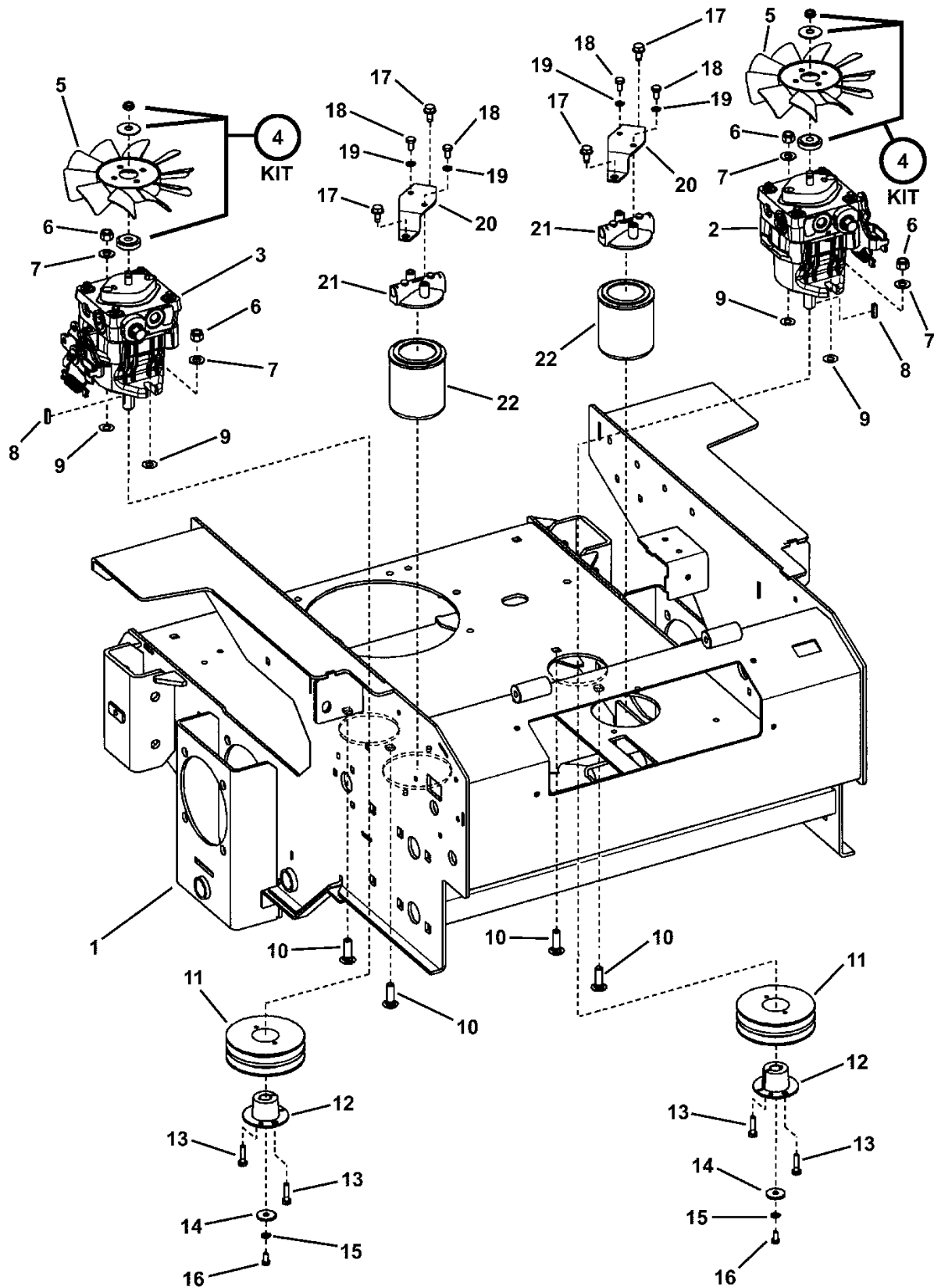


FRONT CHASSIS ASSEMBLY (Deck Lift)

Item	Part No	Qty	Description	Note
38	7400017	1	WELDMENT, Front Deck Lift	
39	7200059	1	SPACER	
40	7300281	1	LINK PLATE	
41	7200083	1	SPACER, Bearing	
42	7400117	1	WELDMENT, Height Adjuster	
43	7200077	1	SPACER, Bearing	
44	7900033	1	BOLT, 1/2-13 x 4-1/2" Hex Head, GR 5	
45	7091544	10	NUT, 1/2-13 Hex Flange Lock GR 5	
46	7090848	4	SET SCREW, 5/16-18 x 1/2" Square Head Cup Point	

Footnotes:

REAR CHASSIS, PUMPS & PULLEYS



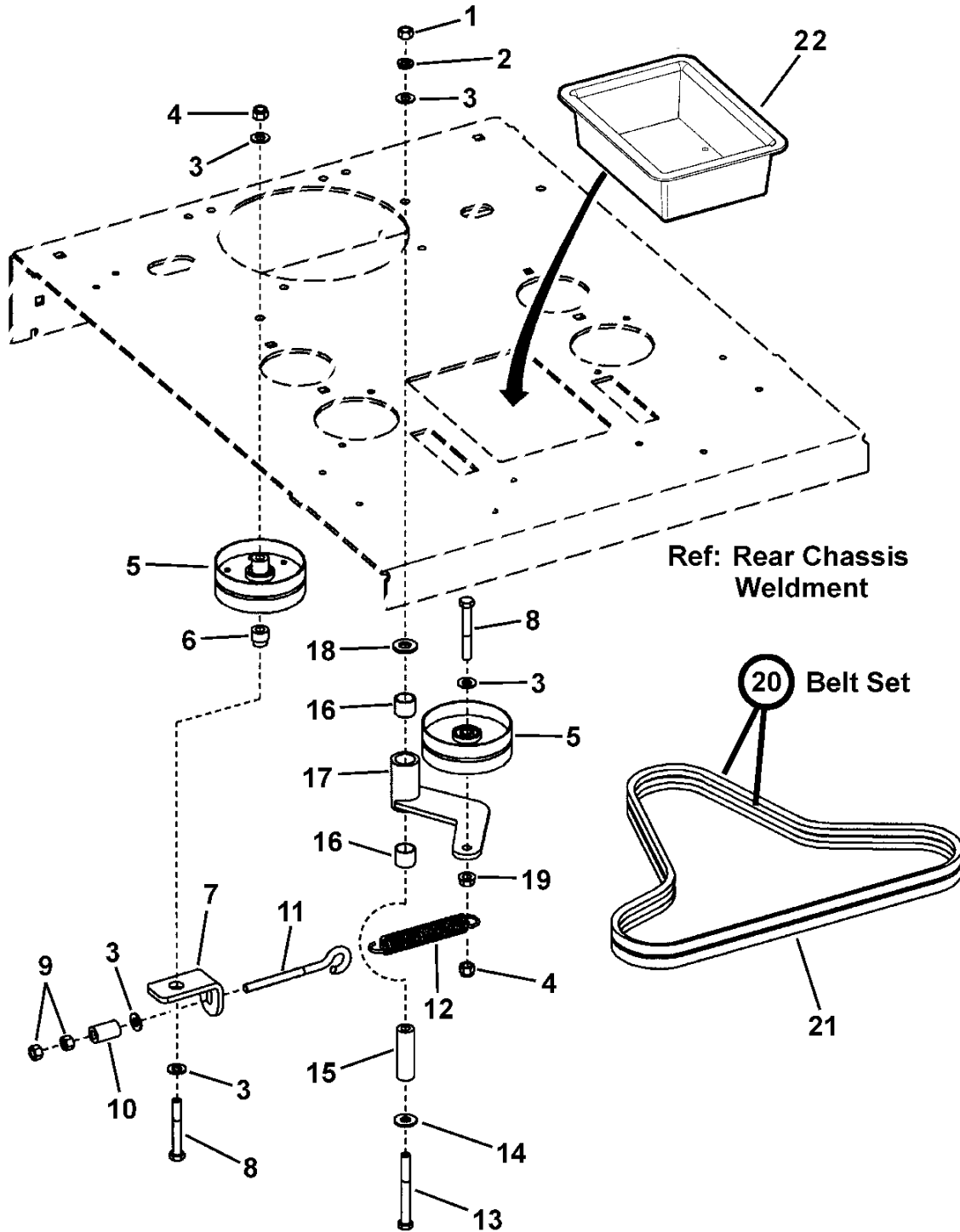
REAR CHASSIS, PUMPS & PULLEYS

Item	Part No	Qty	Description	Note
1	7400015	1	WELDMENT, Rear Chassis	
2	7100439	1	PUMP, Hydro-Gear BDP-12A W/ RTN	<i>left-hand pump</i>
3	7100438	1	PUMP, Hydro-Gear BDP-12A W/ RTN	<i>right-hand pump</i>
4	7074738	2	* KIT, Fan Hub	<i>(Hydro Gear p/n 70632) for BDP-10A Pump w/Thru Shaft</i>
5	7074968	2	FAN, 7" Nylon, Counter-Clockwise	
6	7091299	4	NUT, 3/8-16 Hex Nyloc	
7	7090122	4	WASHER, 3/8" Flat SAE	
8	7027199	2	KEY, M5 x M20	
9	7013847	4	BOLT RETAINER, 3/8"	
10	7027181	4	BOLT, 3/8-16 x 1-1/4" Short Neck Carriage GR 5	
11	7041330	2	PULLEY, 4.25 O.D. x 1.375 OA x "H" Tapered Bore	<i>double pump</i>
12	7071831	2	PULLEY, "D" Bushing x 15mm Bore	
13	7090548	4	SCREW, 1/4-20 x 1" Hex Head Cap GR 5	
14	7091627	2	WASHER, 1/4 x 1 x 1/8" Flat	
15	7027223	2	WASHER, 1/4" Split Lock	
16	7091835	2	SCREW, M6 1.0 x 12mm Hex Head Cap	
17	7090361	4	SCREW, 5/16-18 x 5/8" Hex Washer Self-Tap	
18	7090071	4	SCREW, 1/4-20 x 1/2" Hex Head Cap, GR 5	
19	7090052	4	WASHER, 1/4" Split Lock	
20	7075919	2	BRACKET, Filter	
21	5023096	2	FILTER HEAD	
22	1719168	2	FILTER	

Footnotes:

* Note: Includes Fan Mount Hub, Belleville Washer and Hex Nyloc Nut.

TRACTION DRIVE ASSEMBLY

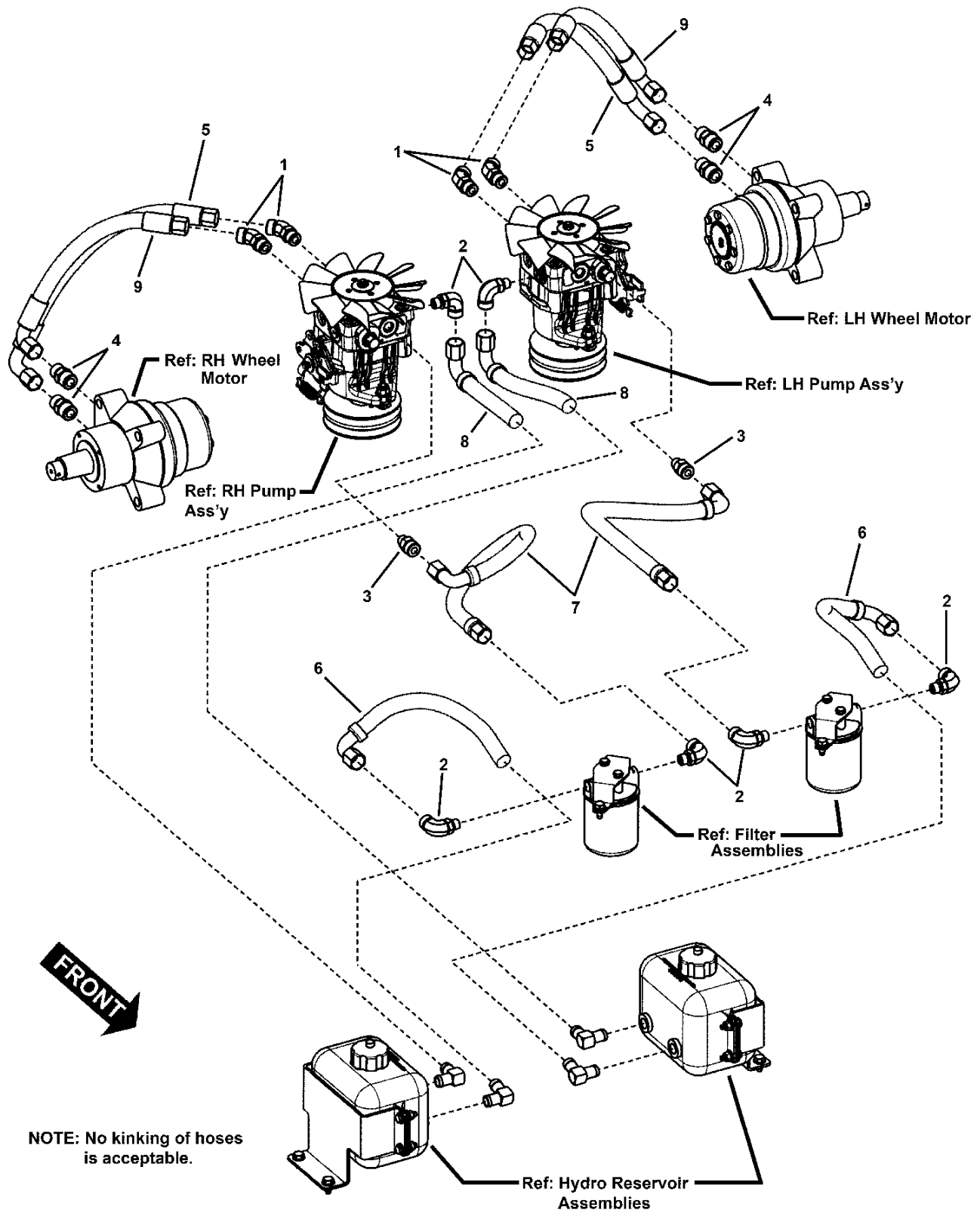


TRACTION DRIVE ASSEMBLY

Item	Part No	Qty	Description	Note
1	7090130	1	NUT, 3/8-16 Hex, GR 5 or B	
2	7090118	1	WASHER, 3/8" Split Lock	
3	7090122	5	WASHER, 3/8" Flat SAE	
4	7091299	2	NUT, 3/8-16 Hex Nyloc	
5	7041262	2	PULLEY, 4" O.D. x .391 I.D. x 1.25 Backside Idler	
6	7200078	1	SPACER, Pulley	
7	7300356	1	MOUNT, Idler Spring	
8	7091557	2	SCREW, 3/8-16 x 2-3/4" Hex Head Cap, GR 5	
9	7091302	2	NUT, 3/8-16 Hex, GR 5 or B	
10	7074777	1	SPACER, Lift Adjust (1.08" Long)	
11	7044860	1	EYEBOLT, 3/8-16 x 3"	
12	7073992	1	SPRING, Extension	
13	7027221	1	BOLT, 3/8-16 x 3-1/2" Hex Head, GR 5	
14	7090517	1	WASHER, 3/8" Flat SAE	
15	1723806	1	BOSS, Idler Arm Pivot	
16	1723805	2	SLEEVE BUSHING, 3/4" I.D.	
17	7400086	1	WELDMENT, Drive Idler	
18	7091587	1	WASHER, .531 I.D. Flat	
19	7091619	1	NUT, 3/8-16 Hex Flange Lock	
20	7100724	1	SET, Matched Traction Drive Belt	(Kit contains two belts (p/n 7100522))
21	7100522	2	BELT, HA Sect., 54.48" effective length	4L Traction Drive
22	7017853	1	TRAY, Battery (Polypropylene)	

Footnotes:

HOSE & CONNECTOR ASSEMBLY

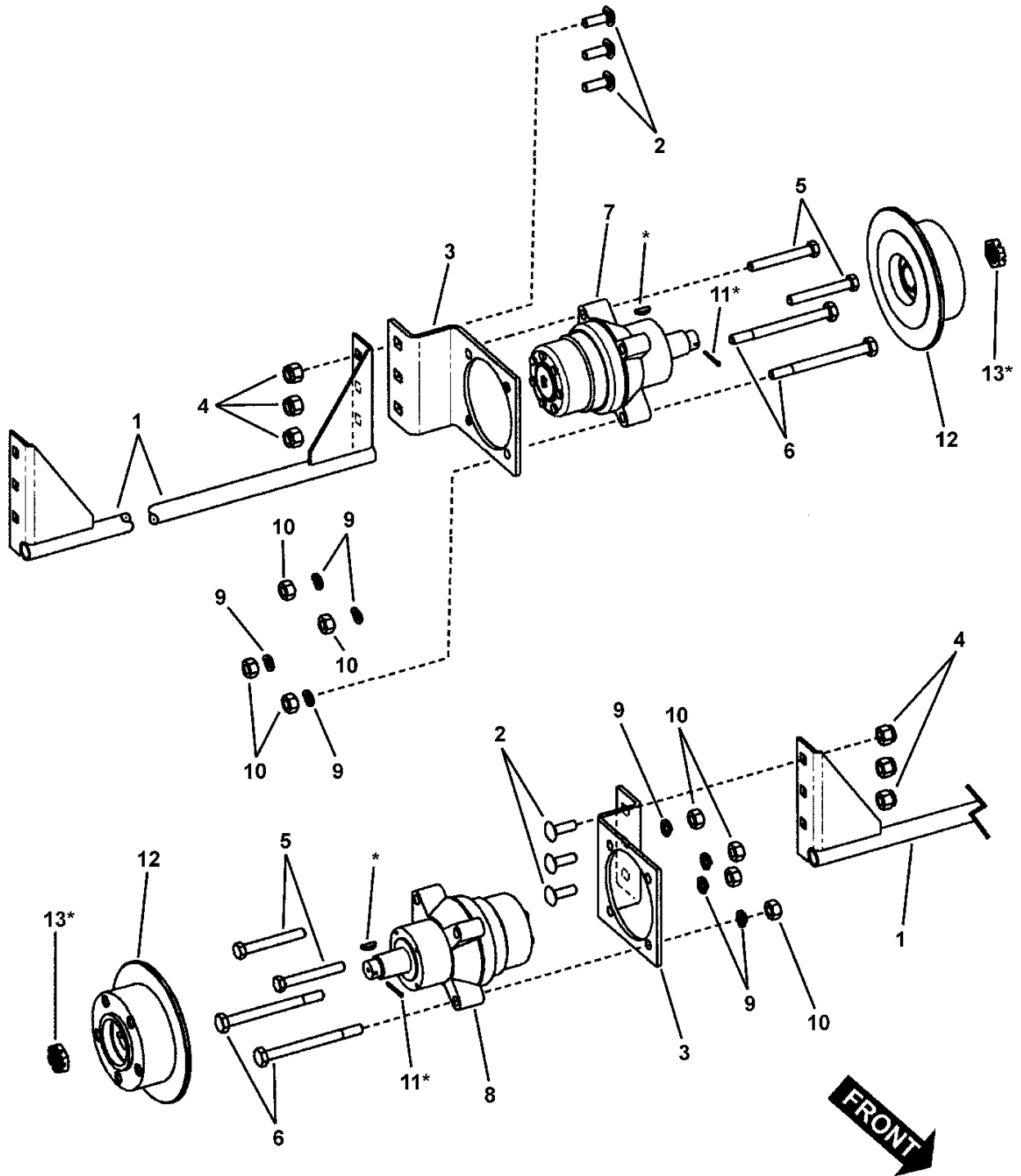


HOSE & CONNECTOR ASSEMBLY

Item	Part No	Qty	Description	Note
1	7075055	4	CONNECTOR, 45-Degree Hydraulic (Parker # V5OLO-S)	
2	7075056	6	CONNECTOR, 90-Degree Hydraulic (Parker # 8-6 C5OLO-S)	
3	7075057	2	CONNECTOR, Straight Hydraulic (Parker # 8-6 F5OLO-S)	
4	7075058	4	CONNECTOR, Straight Hydraulic (Parker # 8-10 F5OLO-S)	
5	7075051	2	HOSE, 17-1/2" Hydraulic (Parker # F436BKJCJ5080808-17.5)	
6	7075052	2	HOSE, 18-1/2" (Parker R836BKJCJ9090808-18.5)	
7	7075053	2	HOSE, 12-1/4" (Parker # R836BKJ9NR080008-12.5)	
8	7075054	2	HOSE, 6-1/2" (Parker # R836BKJ9NR080008-6.5)	
9	7075470	2	HOSE, 15-1/2" Hydraulic (Parker # F436JCJ9080808-15.50)	

Footnotes:

WHEEL MOTOR ASSEMBLY



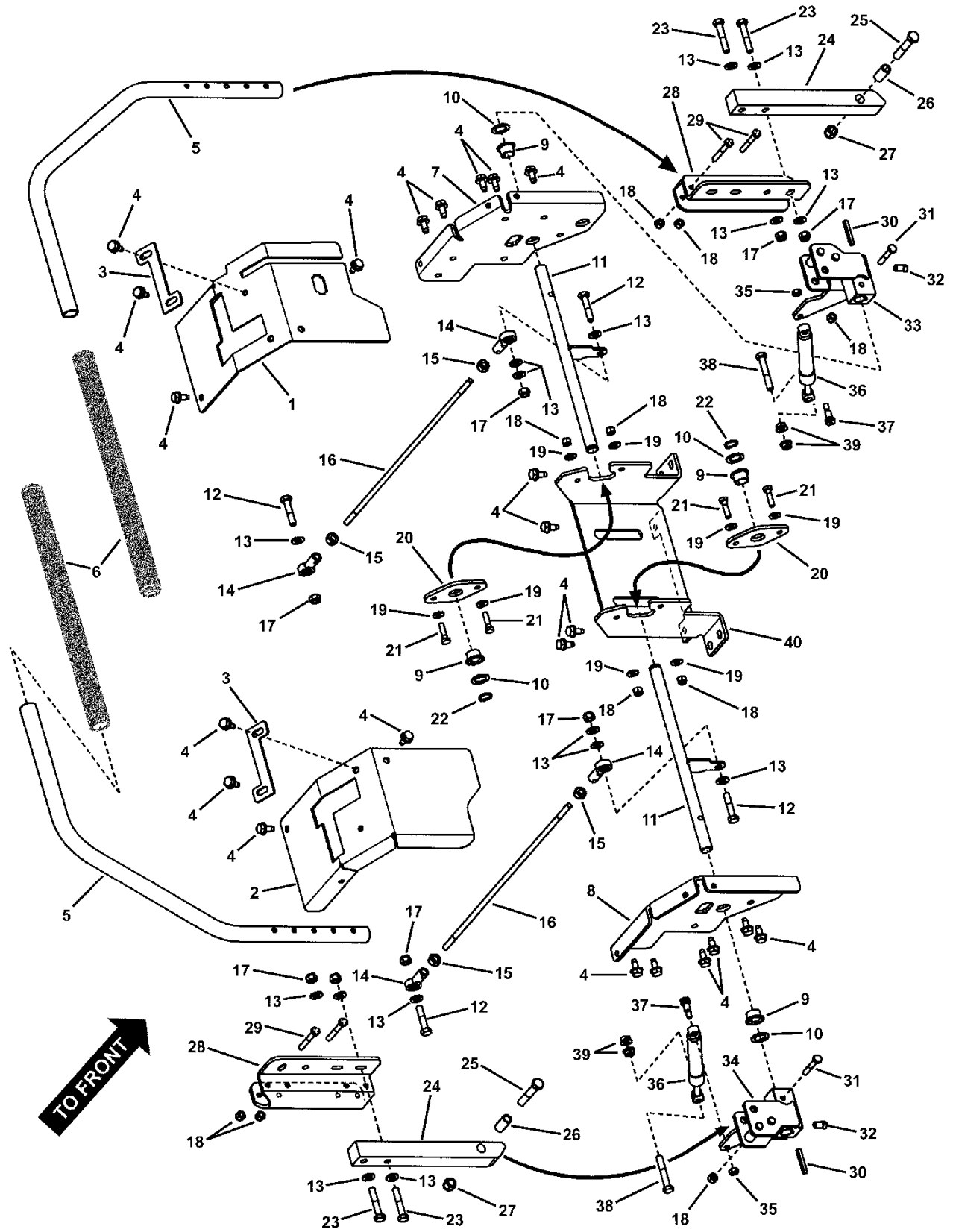
*NOTE: part of wheel motor

WHEEL MOTOR ASSEMBLY

Item	Part No	Qty	Description	Note
1	7400074	1	WELDMENT, Rear Support	
2	7090768	4	BOLT, 1/2-13 x 1-1/2" Square Neck Carriage, GR 5	
3	7075443	2	BRACKET, Wheel Motor Support	
4	7091325	6	NUT, 1/2-13 Hex Nyloc	
5	7029355	4	BOLT, 1/2-13 x 3-3/4" Hex Head Cap	
6	7092087	4	BOLT, 1/2-13 x 6" Hex Head Cap GR 5	
7	7100299	1	WHEEL MOTOR, LH HGM 18E-3052	
8	7100300	1	WHEEL MOTOR, RH HGM 18E-3056	
9	7091322	8	WASHER, 1/2" Split Lock	
10	7091316	8	NUT, 1/2-13 Hex GR B	
11	7091809	2	COTTER PIN, 1/8 x 1-1/4"	<i>included as part of wheel motor shown also in DRIVE TIRE & WHEEL ASSEMBLY</i>
12	7071819	2	DRUM, Brake (Ausco)	
13	7092083	2	CASTLE NUT, 1-14 UNF, GR B	<i>included as part of wheel motor</i>

Footnotes:

TWIN STICK CONTROL ASSEMBLY

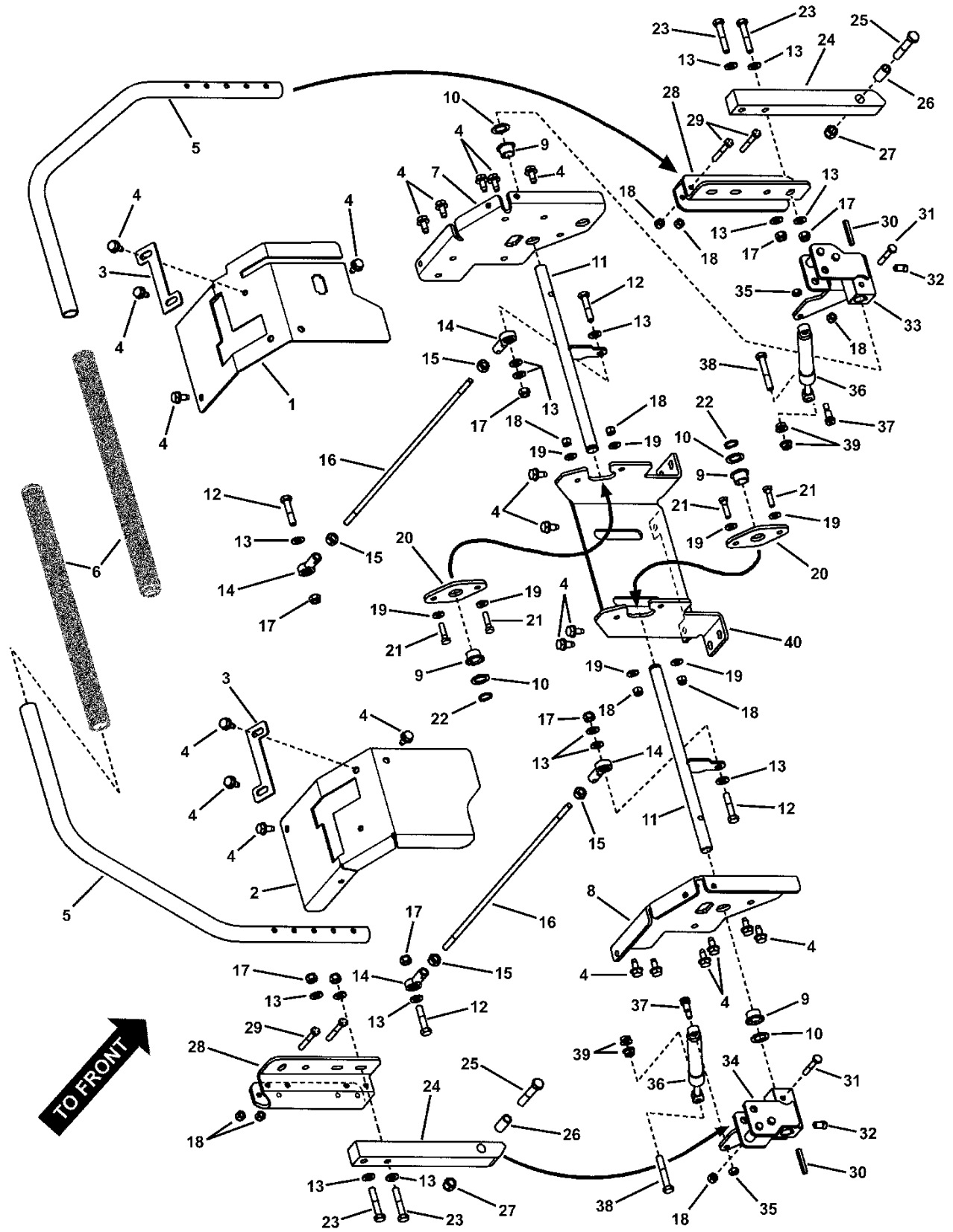


TWIN STICK CONTROL ASSEMBLY

Item	Part No	Qty	Description	Note
1	7300077	1	LIMITER BRKT, LH	
2	7300076	1	LIMITER BRKT, Twin Stick, Right Side, LFNZM	
3	7074964	2	BRACKET, Speed Control	
4	7090361	24	SCREW, 5/16-18 x 5/8" Hex Washer Self-Tap	
5	7100556	2	HANDLEBAR, Twin Stick, LFNZM	
6	7100051	2	FOAM GRIP, Handle	
7	7300075	1	BUSHING MOUNT PLATE, LH	
8	7300074	1	BUSHING MOUNT PLATE, Right Side, LFNZM	
9	7072934	4	BUSHING, Teflon Impregnated	
10	7091628	4	WASHER, .64 I.D. x .99 O.D. x .05 Flat	
11	7400053	2	WELDMENT, Shaft Twin	
12	7091540	4	SCREW, 5/16-18 x 1-1/2" Hex Head Cap, GR 5	
13	7090188	16	WASHER, 5/16" Flat	
14	7027139	4	ROD END (5/16-24 thread)	
15	7091297	4	NUT, 5/16-24 Hex, GR 5 or B	
16	7100294	2	LINKAGE, Pump Control (5/16-24 threads)	
17	7091298	8	NUT, 5/16-18 Hex Nyloc	
18	7091603	10	NUT, 1/4-20 Hex Nyloc	
19	7091294	8	WASHER, 1/4" Flat	
20	7073061	2	MOUNTING PLATE, Left Hand Bearing	
21	7090548	4	SCREW, 1/4-20 x 1" Hex Head Cap GR 5	or 7027230
22	7010739	2	RING, 5/8" External Retaining	
23	7090669	4	SCREW, 5/16-18 x 1-3/4" Hex Head Cap, GR 5	
24	7100484	2	MOUNTING ARM, Twin Stick	
25	7090588	2	SCREW 3/8-16 x 2" Hex Head Cap, GR 5	or 7091305
26	7075029	2	SPACER, .498 O.D. x 1.010" long	
27	7091299	2	NUT, 3/8-16 Hex Nyloc	
28	7071825	2	BRACKET, Handle Adjustment	
29	7091003	4	SCREW, 1/4-20 x 1-3/4" Hex Head Cap, GR 5	or 7091813
30	7091803	2	KEY, 3/16" Square x 1-1/2"	
31	7079577	2	SCREW, 1/4-20 x 1-1/2" Hex Head Cap GR 5	
32	7090848	2	SET SCREW, 5/16-18 x 1/2" Square Head Cup Point	
33	7400032	1	MOUNTING HUB WELDMENT, T-Stick LH	
34	7400031	1	MOUNTING HUB WELDMENT, T-Stick RH	
35	7090372	2	NUT, 1/4-20 Hex Center Lock	
36	5022978	2	DAMPENER, Hydraulic	
37	7900007	2	SCREW, Shoulder Socket Head	(1/4-20 thread)

Footnotes:

TWIN STICK CONTROL ASSEMBLY

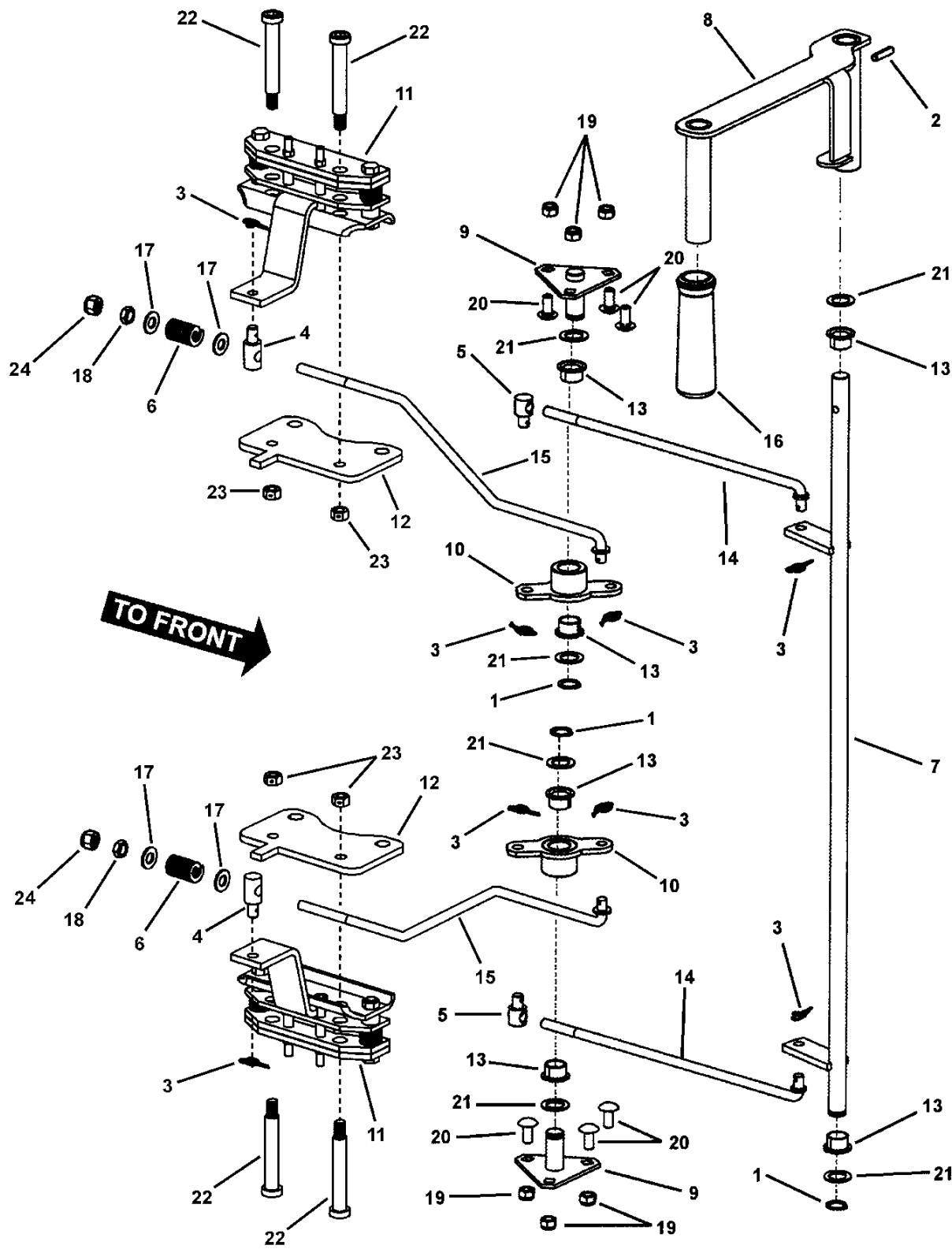


TWIN STICK CONTROL ASSEMBLY

Item	Part No	Qty	Description	Note
38	7027174	2	SCREW, 5/16-18 x 2" Hex Head Cap, GR 5	
39	7090585	4	NUT, 5/16-18 Hex Flange Lock	
40	7300144	1	CENTER BRACKET, Joystick	

Footnotes:

PARKING BRAKE ASSEMBLY

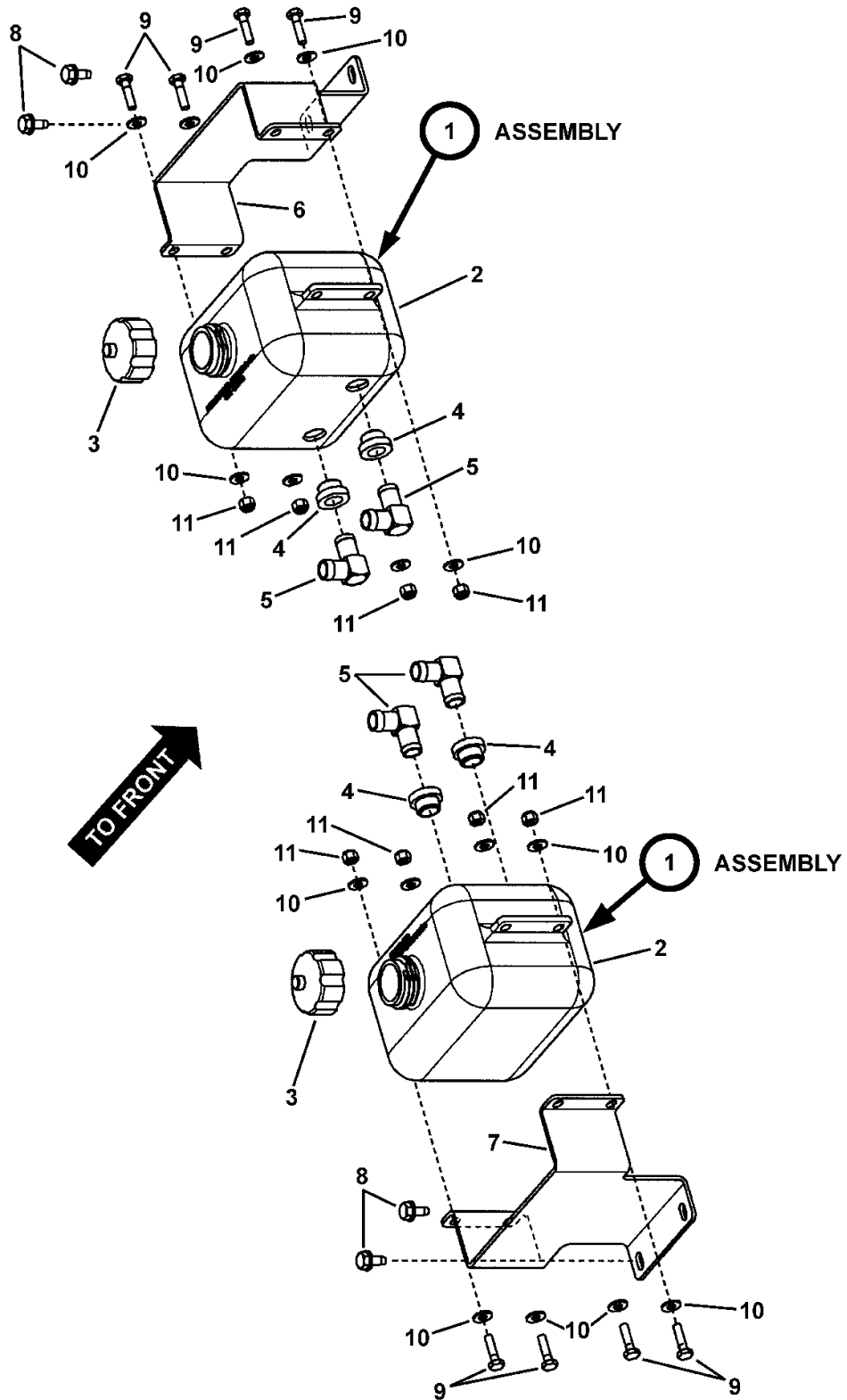


PARKING BRAKE ASSEMBLY

Item	Part No	Qty	Description	Note
1	7010739	3	RING, 5/8" External Retaining	
2	7092091	1	GROOVE PIN, 1/4 x 1-1/4" long	
3	7024159	8	PIN, 3/8" Self Locking Cotter	<i>or 7091593</i>
4	7011231	2	SWIVEL, 3/8" Thru Hole, Special	
5	7046451	2	SWIVEL, 3/8-24 Adjustment	
6	7046782	2	SPRING, Rectangular Wire Die, Blue	
7	7400016	1	WELDMENT, Brake Rod	
8	7059085	1	WELDMENT, Park Brake Handle	
9	7059086	2	WELDMENT, Park Brake Pivot Bracket	
10	7059087	2	WELDMENT, Brake Linkage Bellcrank	
11	7071820	2	ASSEMBLY, Brake	<i>Ausco p/n CC 83022</i>
12	7041140	2	PLATE, Brake Mounting	
13	7072934	6	BUSHING, Teflon Impregnated	
14	7073989	2	FRONT LINKAGE, Park Brake (3/8-24 thread)	
15	7072094	2	ROD, Brake Rear (3/8-16 thread)	
16	7074196	1	GRIP, Parking Brake	
17	7090122	4	WASHER, 3/8" SAE Flat	
18	7090482	2	NUT, 3/8-24, Hex Jam, GR 5 or B	
24	7091518	2	NUT, 3/8-24 Hex Nyloc	
19	7091298	6	NUT, 5/16-18 Hex Nyloc	
20	7091508	6	BOLT, 5/16-18 x 3/4" Short Neck Carriage, GR 5	
21	7091628	5	WASHER, .64 I.D. x .99 O.D. x .05 Flat	
22	7041148	4	SHOULDER BOLT, 3/8-16 Hex Socket Head	
23	7091585	4	NUT, 3/8-16 Hex Center Lock	

Footnotes:

HYDRO RESERVOIR ASSEMBLY

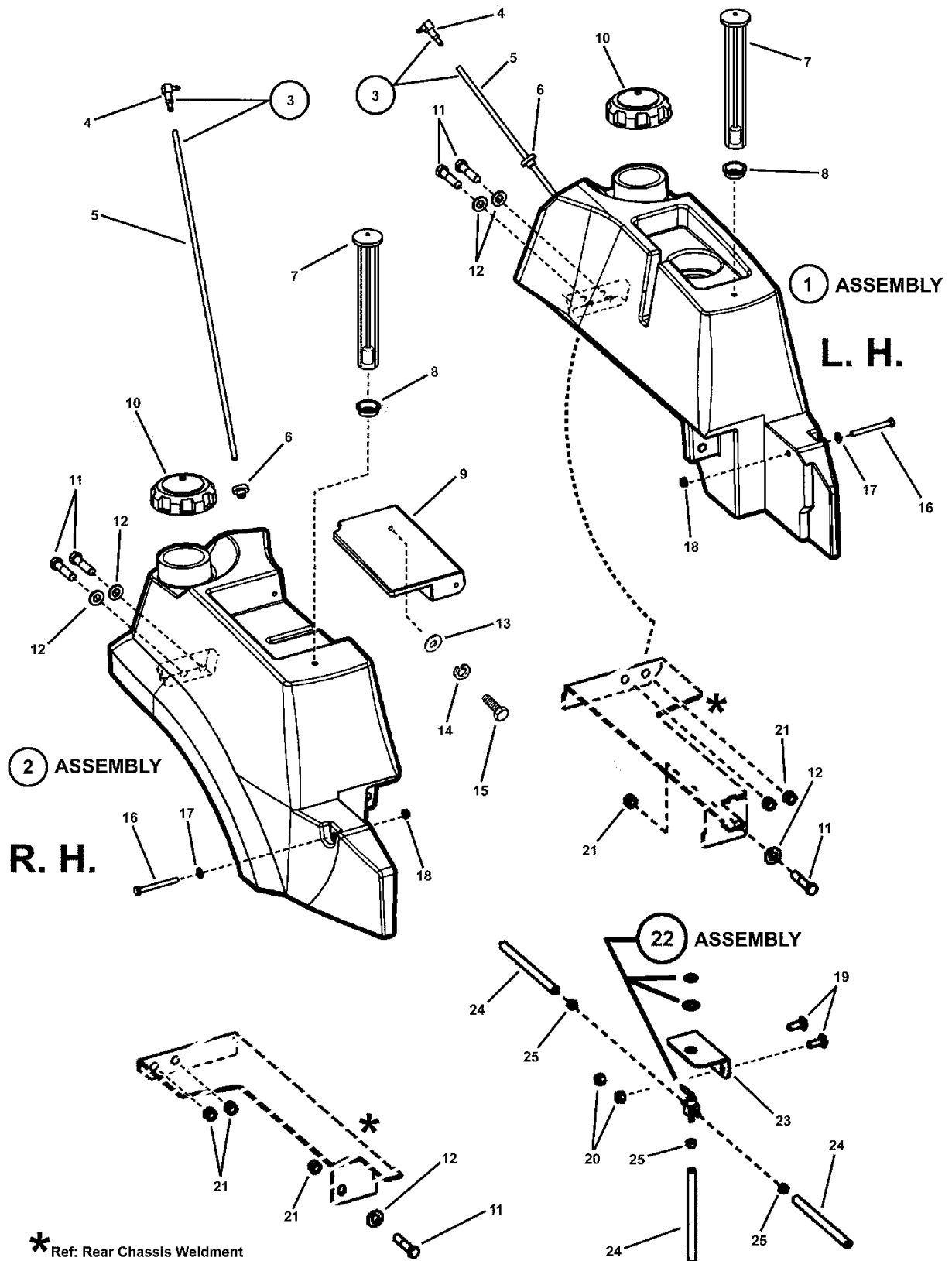


HYDRO RESERVOIR ASSEMBLY

Item	Part No	Qty	Description	Note
1	7059088	2	ASSY, Hydraulic Tank (Includes 4 items shown below)	
2	7074002	1	TANK, Hydraulic, NZM	<i>per 7059088, Tank Assembly</i>
3	7075289	1	CAP, Vented (Kelch # H4550D)	<i>per 7059088, Tank Assembly</i>
4	7075687	2	GROMMET (Dapco # 12078)	<i>per 7059088, Tank Assembly</i>
5	7073238	2	ELBOW FITTING (Dapco # 12183)	<i>per 7059088, Tank Assembly</i>
6	7073999	1	BRACKET, R.H. Hydro Tank Mount	
7	7074001	1	BRACKET, L.H. Hydro Tank Mount	
8	7090548	8	SCREW, 1/4-20 x 1" Hex Head Cap GR 5	
9	7091294	16	WASHER, 1/4" Flat	
10	7090361	4	SCREW, 5/16-18 x 5/8" Hex Washer Self-Tap	
11	7091603	8	NUT, 1/4-20 Hex Nyloc	
12	7012080	5	CABLE TIE, 7" Long (not shown)	

Footnotes:

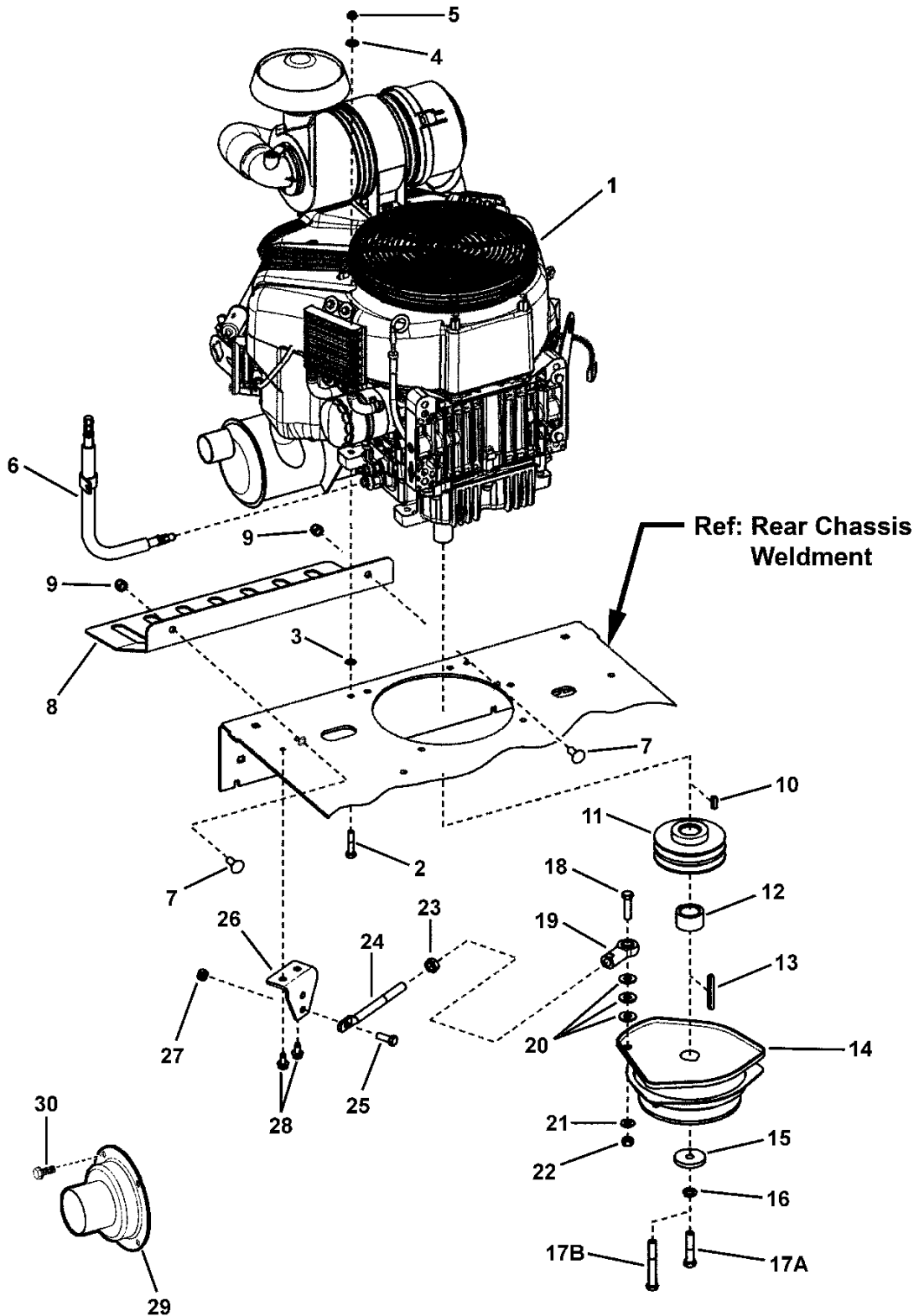
FUEL TANK ASSEMBLY



FUEL TANK ASSEMBLY

Item	Part No	Qty	Description	Note
1	7024669	1	ASSEMBLY, LH Fuel Tank	<i>includes: tank (7042924) plus items 3, 6, 7, 8 & 10</i>
2	7100217	1	ASSEMBLY, RH Fuel Tank	<i>includes: tank (7042925) plus items 3, 6, 7, 9 & 10</i>
3	7046326	1	ASSEMBLY, Fuel Pickup	<i>includes items 4 & 5</i>
4	7074835	1	ELBOW, 90 Degree	
5	7046804	1	TUBE, Pickup	
6	7012337	1	GROMMET, Tube	<i>Dapco p/n 10672</i>
7	7078165	1	GAGE, Fuel	
8	7011247	1	GROMMET, Gage	
9	7100211	1	LID, Fuel Tank	
10	7075135	1	CAP, 3-1/2" Fuel	<i>Kelch p/n 201906</i>
11	7092089	6	SCREW, 7/16-14 x 2" Hex Head Cap, GR 5	
12	7090250	8	WASHER, 1/2" Flat SAE	
13	7091294	2	WASHER, 1/4" Flat	
14	7027223	2	WASHER, 1/4" Split Lock	
15	7090825	2	SCREW, 1/4-20 x 1-1/4" Hex Head Cap, GR 5	
16	7092088	2	SCREW, 5/16-18 x 2-1/2" Hex Head Cap, GR 5	
17	7090188	2	WASHER, 5/16" Flat	
18	7091298	2	NUT, 5/16-18 Hex Nyloc	
19	7091640	2	BOLT, 3/8-16 x 1" Square Neck Carriage, GR 5	
20	7091299	2	NUT, 3/8-16 Hex Nyloc	
21	7091917	6	NUT, 7/16-14 Hex Nyloc	
22	7044681	1	FUEL VALVE, 3-Way	
23	7300382	1	BRACKET, Tank Selector	
24	7074688	3	HOSE, 1/4" I.D. x 3'-7.5" Long Fuel	
25	7012222	6	CLAMP, Fuel Hose	
26	7012080	5	CABLE TIE, 7" Long (not shown)	

Footnotes:



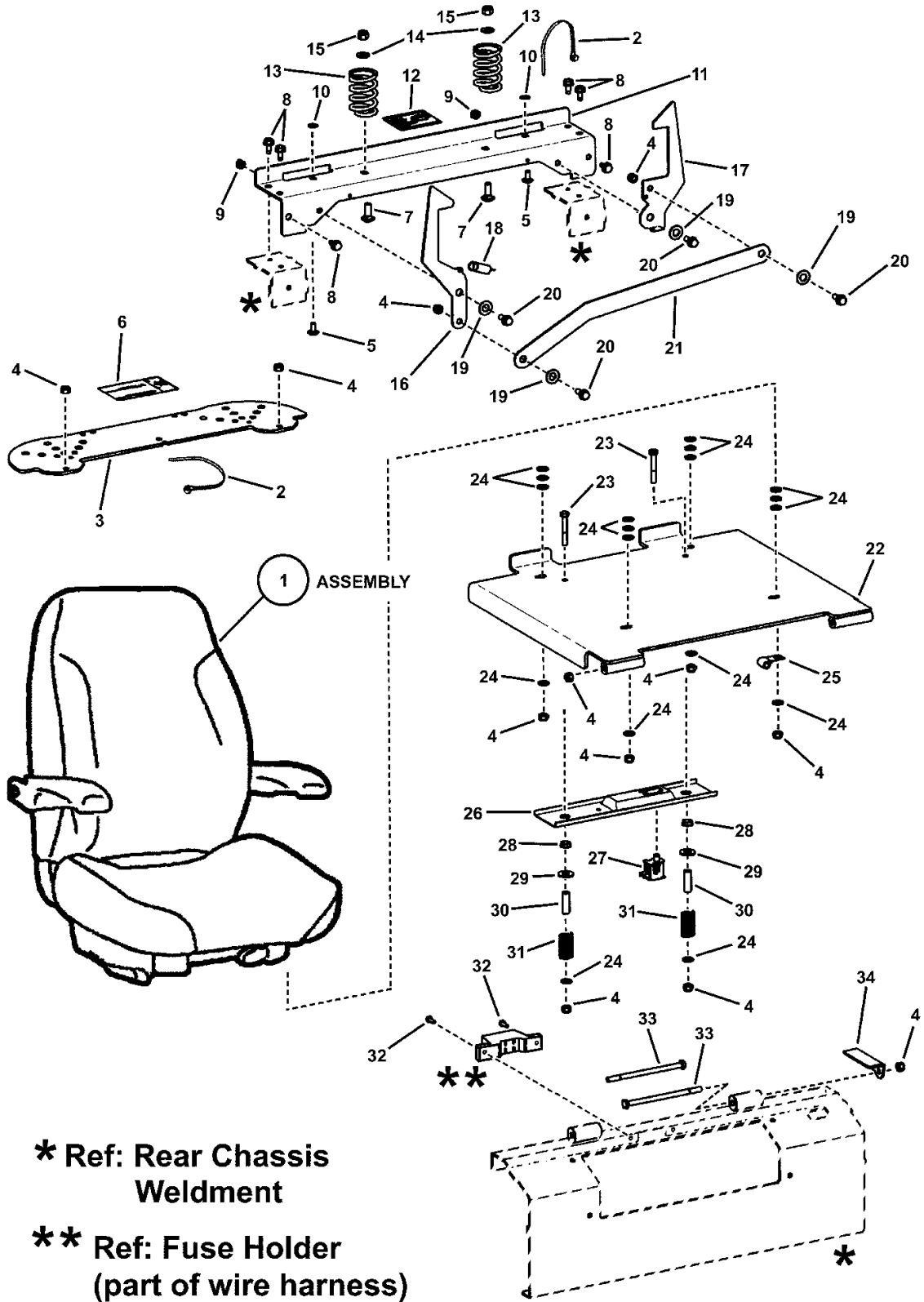
ENGINE GROUP

Item	Part No	Qty	Description	Note
1		1	* ENGINE, 32 HP Briggs Vanguard Vertical	<i>Model # 543777 Type 0120 Trim E1</i>
1		1	* ENGINE, Kohler 30 HP (not shown)	<i>Model # CV750S</i>
2	7091540	4	SCREW, 5/16-18 x 1-1/2" Hex Head Cap, GR 5	
3	7011791	4	BOLT RETAINER, 5/16" Bolt	
4	7090188	4	WASHER, 5/16" Flat	
5	7091706	5	NUT, 5/16-18 Hex Top Lock GR B	
6	7100803	1	ASSEMBLY, Oil Drain Hose	<i>used on Briggs Model only</i>
7	7091640	2	BOLT, 3/8-16 x 1" Square Neck Carriage GR 5	
8	7300399	1	GUARD, Muffler NZMX	<i>used on NZMX32734BV</i>
9	7091299	2	NUT, 3/8-16 Hex Nyloc	
10	7200094	1	KEY, 1/4" Square x .360"	<i>used on Briggs Model only</i>
10	7016755	1	KEY, 1/4" Square x 3/4"	<i>used on Kohler model</i>
11	7100292	1	PULLEY, 4.26 O.D. x 1.375 OAL x 1.125 Bore	
12	7200058	1	SPACER, Clutch	
13	7017033	1	KEY, 1/4" Square x 2-1/4" Long	
14	7100436	1	ELECTRIC CLUTCH, GT3.5	<i>Qgura Model # GT3.5-FE05</i>
15	7075082	1	WASHER, .468 x 1.85 x .25 Flat	<i>for Ogura Clutch</i>
16	7091301	1	WASHER, 7/16" Split Lock	
17A	7100712	1	SCREW, 7/16-20 x 2" Hex Head Cap, GR 5	<i>(w/Nyloc Patch); used on Briggs model</i>
17B	7027266	1	SCREW, 7/16-20 x 3" Hex Head Cap, GR 5	<i>(w/Nyloc Patch); used on Kohler model</i>
18	7091497	1	SCREW, 3/8-16 x 1-1/2" Hex Head Cap, GR 5	
19	7073012	1	ROD END, 1/2-20 Female	
20	7090517	3	WASHER, 3/8" Flat SAE	
21	7090122	1	WASHER, 3/8" Flat SAE	
22	7090155	1	NUT, 3/8-24 Hex, GR B	
23	7090559	1	NUT, 1/2-20 Hex Jam, GR 5 or B	
24	7100586	1	CLUTCH ROD (1/2-20 thread)	
25	7091304	1	SCREW, 3/8-16 x 1" Hex Head Cap, GR 5	
26	7300217	1	BRACKET, Clutch	
27	7091585	2	NUT, 3/8-16 Hex Center Lock	
28	7090361	2	SCREW, 5/16-18 x 5/8" Hex Washer Self-Tap	
29	7075734	1	OUTLET, Muffler	<i>used on NZMX30614KH only</i>
30	7091581	4	SCREW, #8-18 x 1/2" Hex Washer Self-Tap	

Footnotes:

* NOTE: Purchase engine components directly from engine manufacturer dealer.

SEAT ASSEMBLY



*** Ref: Rear Chassis
Weldment**

**** Ref: Fuse Holder
(part of wire harness)**

SEAT ASSEMBLY

Item	Part No	Qty	Description	Note
1	7029338	1	SEAT ASSY, Mid Back Trim Line Static Suspension	<i>Seats Inc. p/n 179035VD310 Silver/Black</i>
2	7012080	3	CABLE TIE, 7" Long	
3	7300207	1	FAN GUARD	
4	7091298	8	NUT, 5/16-18 Hex Nyloc	
5	7090799	2	BOLT, 5/16-18 x 5/8" Short Neck Carriage, GR 5	
6	7100817	1	DECAL, Caution Fan	
7	7091640	2	BOLT, 3/8-16 x 1" Square Neck Carriage GR 5	
8	7090361	6	SCREW, 5/16-18 x 5/8" Hex Washer Self-Tap	
9	7091067	2	NUT, 5/16-18 Hex Center Lock	
10	7011791	6	BOLT RETAINER, 5/16" Bolt	
11	7300126	1	CROSSMEMBER, Seat Support	
12	7075433	1	DECAL, Oil Level Reservoir	
13	7074218	2	SPRING, Compression- Seat Support	
14	7090122	2	WASHER, 3/8" SAE Flat	
15	7091299	2	NUT, 3/8-16 Hex Nyloc	
16	7300451	1	SEAT LATCH, Left	
17	7300441	1	BRACKET, Seat Latch, NZMX	
18	7026292	1	SPRING, Extension	
19	7091595	4	WASHER .47 x .92 x .065 Flat	
20	7015761	4	SHOULDER BOLT, 5/16-18	
21	7300452	1	LINK, Seat Latch	
22	7400151	1	WELDMENT, Seat Pan	
23	7027174	2	SCREW, 5/16-18 x 2" Hex Head Cap, GR 5	
24	7090188	18	WASHER, 5/16" Flat	
25	7035638	1	CLIP, Open J 3/8" Cushioned	
26	7033362	1	HOLDER, Seat Switch	
27	7023354	1	SWITCH, Seat, NC	
28	7022793	2	BUSHING, Seat (Black Nylon)	
29	7026249	2	SPACER/WASHER	
30	7022794	2	SPACER	
31	7071767	2	SPRING, Compression	
32	7091289	2	SCREW, #10-32 x 5/8" Hex Washer Self-Tap, GR 5	
33	7900040	2	SCREW, 5/16-18 x 5-1/2" Hex Head Cap, GR 5	
34	7300442	1	BRACKET, Seat Stop, NZMX	


Footnotes:

BUMPER ASSEMBLY

ADVERTENCIA

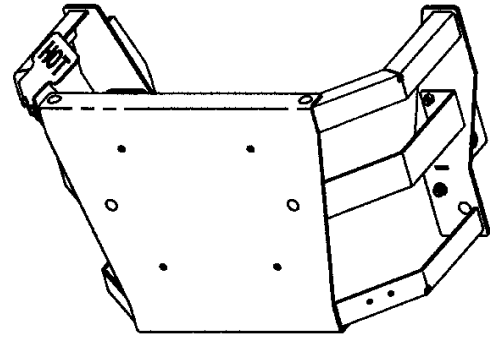
Evite lesiones graves o la muerte debido a un vuelco.

No maneje la máquina sin tener la barra antivuelco instalada y operacional.

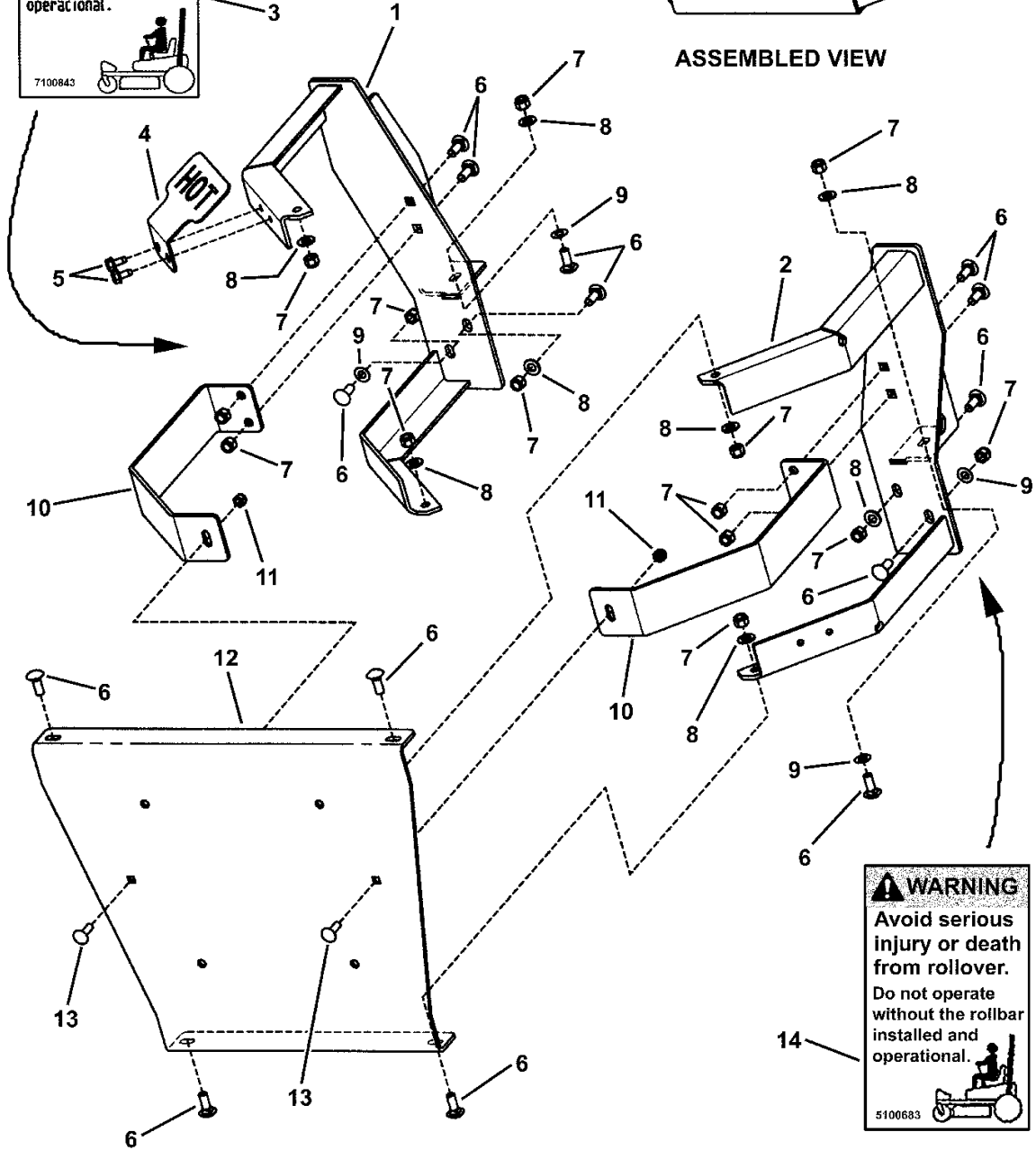


7100843

TO FRONT →



ASSEMBLED VIEW



WARNING

Avoid serious injury or death from rollover.

Do not operate without the rollbar installed and operational.



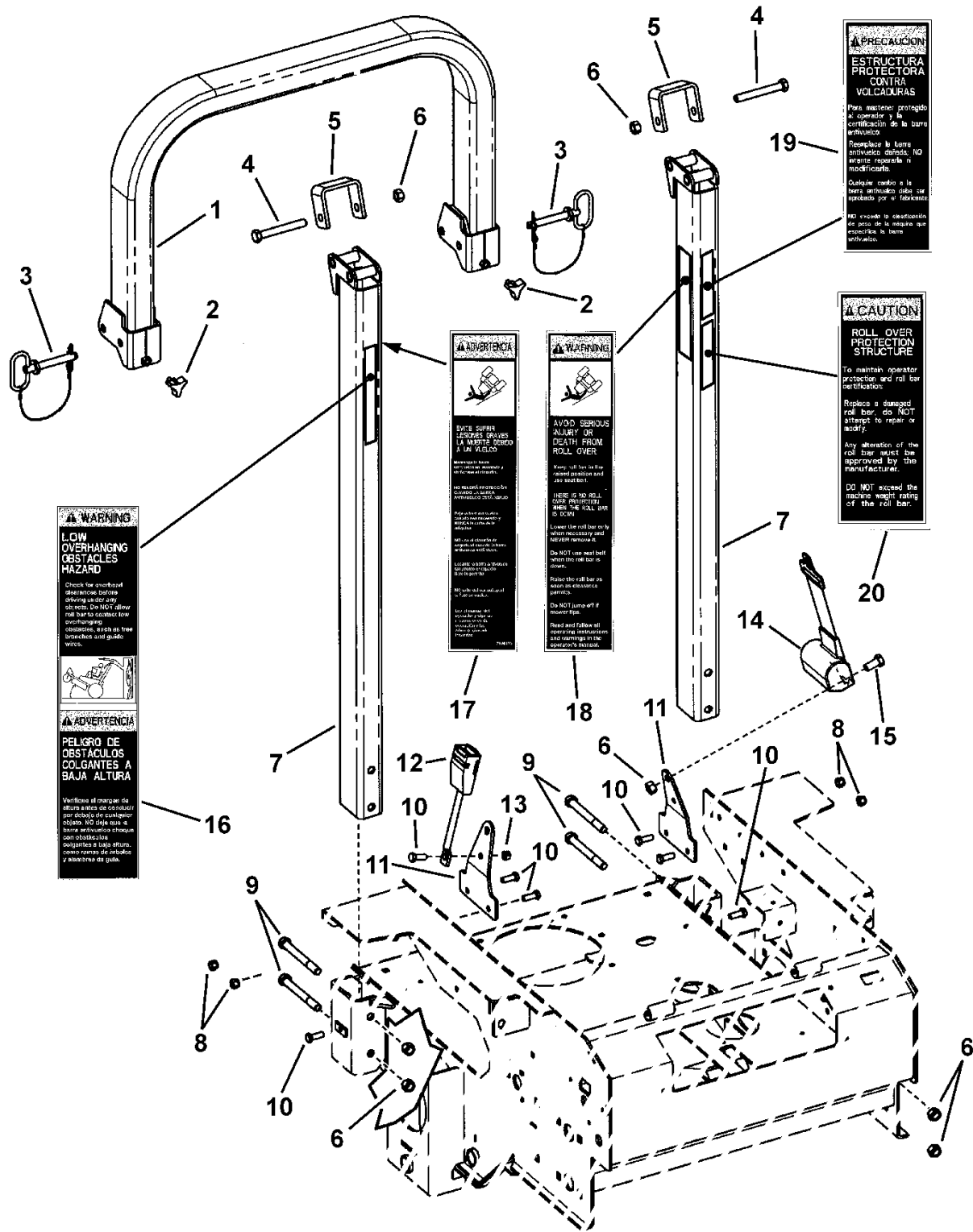
5100683

BUMPER ASSEMBLY

Item	Part No	Qty	Description	Note
1	7400089	1	WELDMENT, Bumper LH	
2	7400142	1	WELDMENT, Bumper	
3	7100843	1	DECAL, Warning, Rollbar (Spanish)	
4	7300437	1	GUARD, Hot Plate	<i>used on Kohler Model only</i>
5	7090361	2	SCREW, 5/16-18 x 5/8" Hex Washer Self-Tap	
6	7091640	14	BOLT, 3/8-16 x 1" Square Neck Carriage GR 5	
7	7091299	14	NUT, 3/8-16 Hex Nyloc	
8	7090122	8	WASHER, 3/8" Flat SAE	
9	7013847	4	BOLT RETAINER, 3/8"	
10	7300438	2	BRACKET, Bumper Support, Middle	
11	7091298	2	NUT, 5/16-18 Hex Nyloc	
12	7300219	1	BRACKET, Rear Bumper	
13	7091303	2	BOLT, 5/16-18 x 1" Short Neck Carriage, GR 5	
14	5100683	1	DECAL, Warning, Rollbar	

Footnotes:

ROLL BAR PROTECTIVE STRUCTURE



PRECAUCIÓN
ESTRUCTURA PROTECTORA CONTRA VOLCADURAS
 Para mantener protegido al operador y la certificación de la barra antivuelco.
 Reemplace la barra antivuelco dañada. NO intente repararla ni modificarla.
 Cualquier cambio a la barra antivuelco solo se especifica por el fabricante.
 NO exceda la clasificación de peso de la máquina que especifica la barra antivuelco.

CAUTION
ROLL-OVER PROTECTION STRUCTURE
 To maintain operator protection and roll bar certification.
 Replace a damaged roll bar. do NOT attempt to repair or modify.
 Any alteration of the roll bar must be approved by the manufacturer.
 DO NOT exceed the machine weight rating of the roll bar.

ADVERTENCIA
EVITE SERIOUS LESIONES O LA MUERTE DEBIDO A UN VOLCO
 Mantenga siempre la estructura protectora de la barra antivuelco instalada y en buen estado.
 No intente reparar o modificar la estructura protectora de la barra antivuelco.
 Cualquier cambio a la estructura protectora de la barra antivuelco solo se especifica por el fabricante.
 No exceda la clasificación de peso de la máquina que especifica la estructura protectora de la barra antivuelco.

WARNING
AVOID SERIOUS INJURY OR DEATH FROM ROLL-OVER
 Keep roll bar in the raised position and in good condition.
 THERE IS NO ROLL-OVER PROTECTION WHEN THE ROPS IS DOWN.
 Lower the roll bar only when necessary and follow the manufacturer's instructions.
 Do NOT use seat belt when the roll bar is down.
 Replace roll bar as soon as clearance permits.
 Do NOT turn off if mower tips.
 Read and follow all operator instructions and warnings in the operator's manual.

WARNING
LOW OVERHANGING OBSTACLES HAZARD
 Check for overhead obstructions before driving under any object. Do NOT allow roll bar to contact low overhanging obstacles, such as tree branches and guide wires.

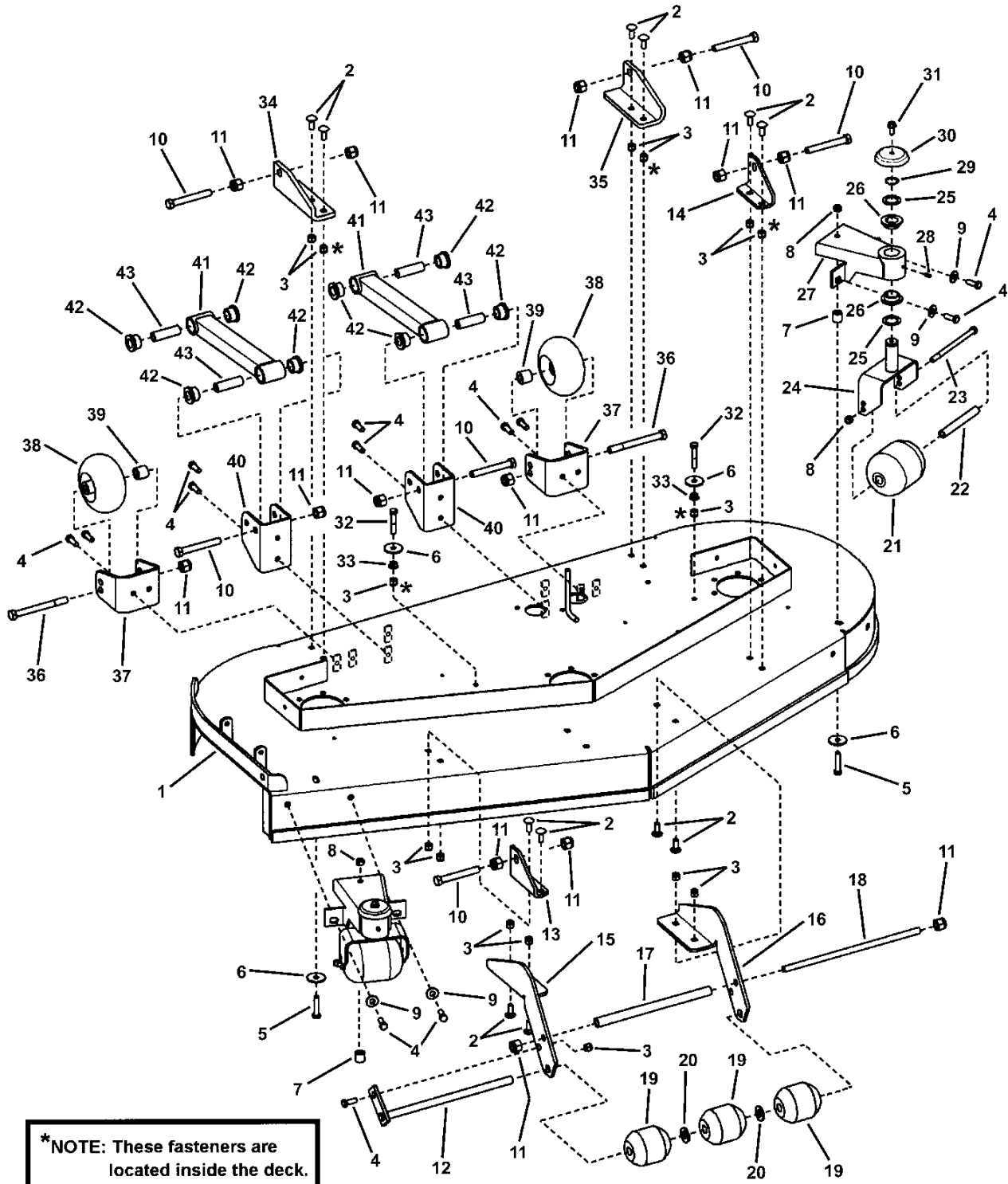
ADVERTENCIA
PELIGRO DE OBSTÁCULOS COLGANTES A BAJA ALTURA
 Verifique al manejar de altura áreas de obstáculos por debajo de cualquier objeto. NO deje que la barra antivuelco choque con obstáculos colgantes a baja altura, como ramas de árboles y alambres de guía.

ROLL BAR PROTECTIVE STRUCTURE

Item	Part No	Qty	Description	Note
1	7100675	1	WELDMENT, Loop	
2	7100099	2	STAR KNOB (5/16-18 thread)	
3	7100095	2	PIN, Hinge (ROPS)	
4	7029355	2	BOLT, 1/2-13 x 3-3/4" Hex Head Cap	
5	7300446	2	BRACKET, ROPS Stop, NZMX	
6	7090975	7	NUT, 1/2-13 Hex Center Lock, GR 5	<i>or 7091894</i>
7	7100674	2	WELDMENT, Post	
8	7091299	5	NUT, 3/8-16 Hex Nyloc	
9	7900033	4	BOLT, 1/2-13 x 4-1/2" Hex Head, GR 5	
10	7091304	7	SCREW, 3/8-16 x 1" Hex Head Cap, GR 5	
11	7300314	2	PLATE, Seat Belt	
12	7100228	1	SEAT BELT, w/Metal Strap	
13	7091585	1	NUT, 3/8-16 Hex Center Lock	
14	7100227	1	RETRACTER, Seat Belt	
15	7090646	1	SCREW, 1/2-13 x 1" Hex Head Cap, GR 5	
16	7100284	1	DECAL, ROPS Overhang	
17	7100173	1	DECAL, Warning ROPS (Spanish)	
18	7100172	1	DECAL, Warning ROPS	
19	7100171	1	DECAL, Caution ROPS (Spanish)	
20	7100170	1	DECAL, Caution ROPS	

Footnotes:

61" CUTTING DECK ASSEMBLY (Sub Assy)

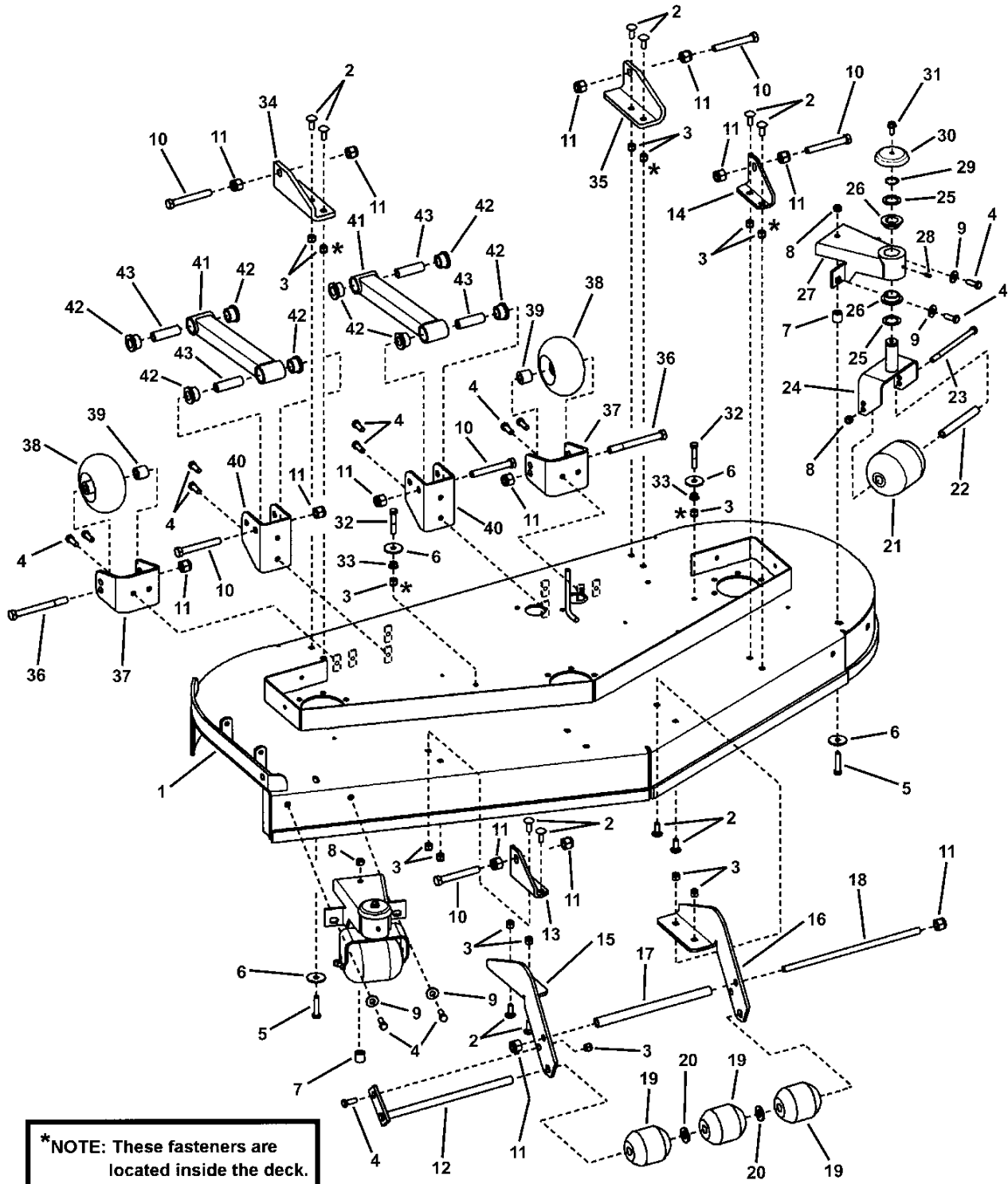


61" CUTTING DECK ASSEMBLY (Sub Assy)

Item	Part No	Qty	Description	Note
1	7400157	1	WELDMENT, 61" Deck, NZMX	
2	7091640	12	BOLT, 3/8-16 x 1" Square Neck Carriage, GR 5	
3	7091299	15	NUT, 3/8-16 Hex Nyloc	
4	7091304	12	SCREW, 3/8-16 x 1" Hex Head Cap, GR 5	
5	7091553	2	SCREW, 3/8-16 x 1-3/4" Hex Head Cap, GR 5	
6	7091331	4	WASHER, .406 x 1.50 x .120 Flat	
7	7044752	2	SPACER, 3/4 O.D. x 13/32 I. D. x 3/4" long	
8	7091585	4	NUT, 3/8-16 Hex Center Lock	
9	7090517	4	WASHER, 3/8" Flat SAE	
10	7029355	6	BOLT, 1/2-13 x 3-3/4" Hex Head Cap	
11	7091325	12	NUT, 1/2-13 Hex Nyloc	
12	7027327	1	WELDMENT, Pivot Pin	
13	7300420	1	BRACKET, RH Front	
14	7300421	1	BRACKET, LH Front	
15	7300212	1	FRONT ROLLER BRKT, RH	
16	7300214	1	FRONT ROLLER BRKT, LH	
17	7036460	1	TUBE, Roller	
18	7036461	1	ROD, Roller (1/2-13 Threaded)	
19	7073142	3	ROLLER, Low Density Polyethylene	or 7079226
20	7027344	2	WASHER, 5/8" Flat SAE	
21	7079868	2	ROLLER 3-3/4 Dia. x 4-13/16" long	Polyethylene
22	7079882	2	TUBE, Axle	
23	7091617	2	SCREW, 3/8-16 x 6" Hex Head Cap, GR 5	
24	7400153	2	WELDMENT, Caster, Gauge Wheel	
25	7023747	4	BUSHING, 1" Machine	
26	7074720	4	BUSHING, Idler (Powdered Metal)	
27	7400154	2	WELDMENT, Gauge Wheel Support	
28	7014669	2	LUBE FITTING, 3/16"	
29	7012709	2	RING, 1" External Retaining	
30	7044839	2	CAP, Caster Shaft	
31	7091541	2	SCREW, 5/16-18 x 3/4" Hex Washer Self-Tap	
32	7091305	2	SCREW, 3/8-16 x 2" Hex Head Cap, GR 5	
33	7091619	2	NUT, 3/8-16 Hex Flange Lock	
34	7300418	1	BRACKET, RH Rear	
35	7300419	1	BRACKET, LH Rear	
36	7091822	2	BOLT, 1/2-13 x 5" Hex Head	
37	7036457	2	BRACKET, Gauge Wheel	

Footnotes:

61" CUTTING DECK ASSEMBLY (Sub Assy)

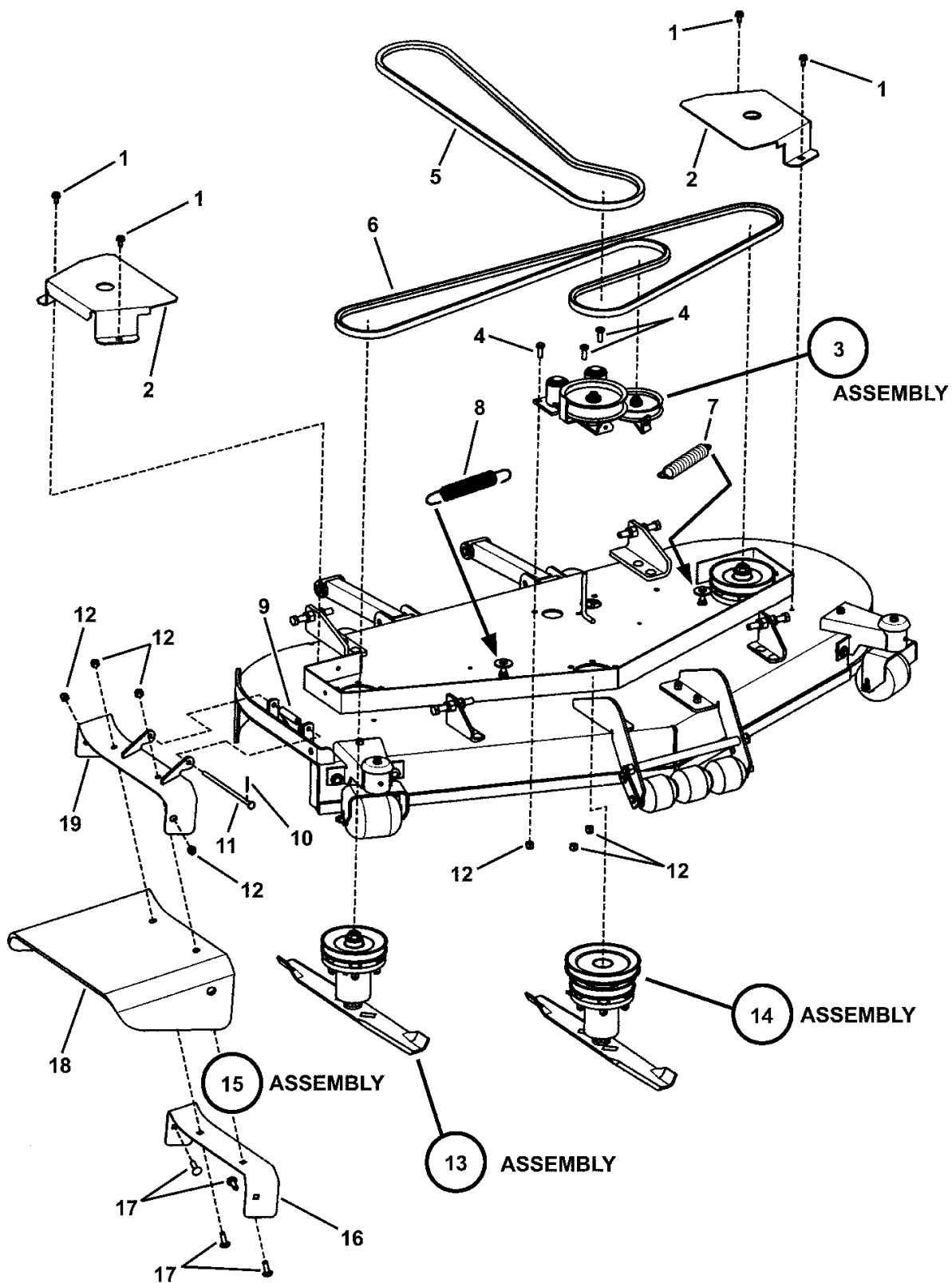


61" CUTTING DECK ASSEMBLY (Sub Assy)

Item	Part No	Qty	Description	Note
38	7029264	2	GAUGE WHEEL, Polyethylene	
39	7036456	2	SPACER, Gauge Wheel	
40	7300064	2	BRACKET, Stabilizer	
41	7044823	2	WELDMENT, Pusher Bar	
42	7029258	8	BUSHING- Suspension	
43	7029263	4	SLEEVE, Suspension	

Footnotes:

61" CUTTING DECK ASSEMBLY (Final Assy)



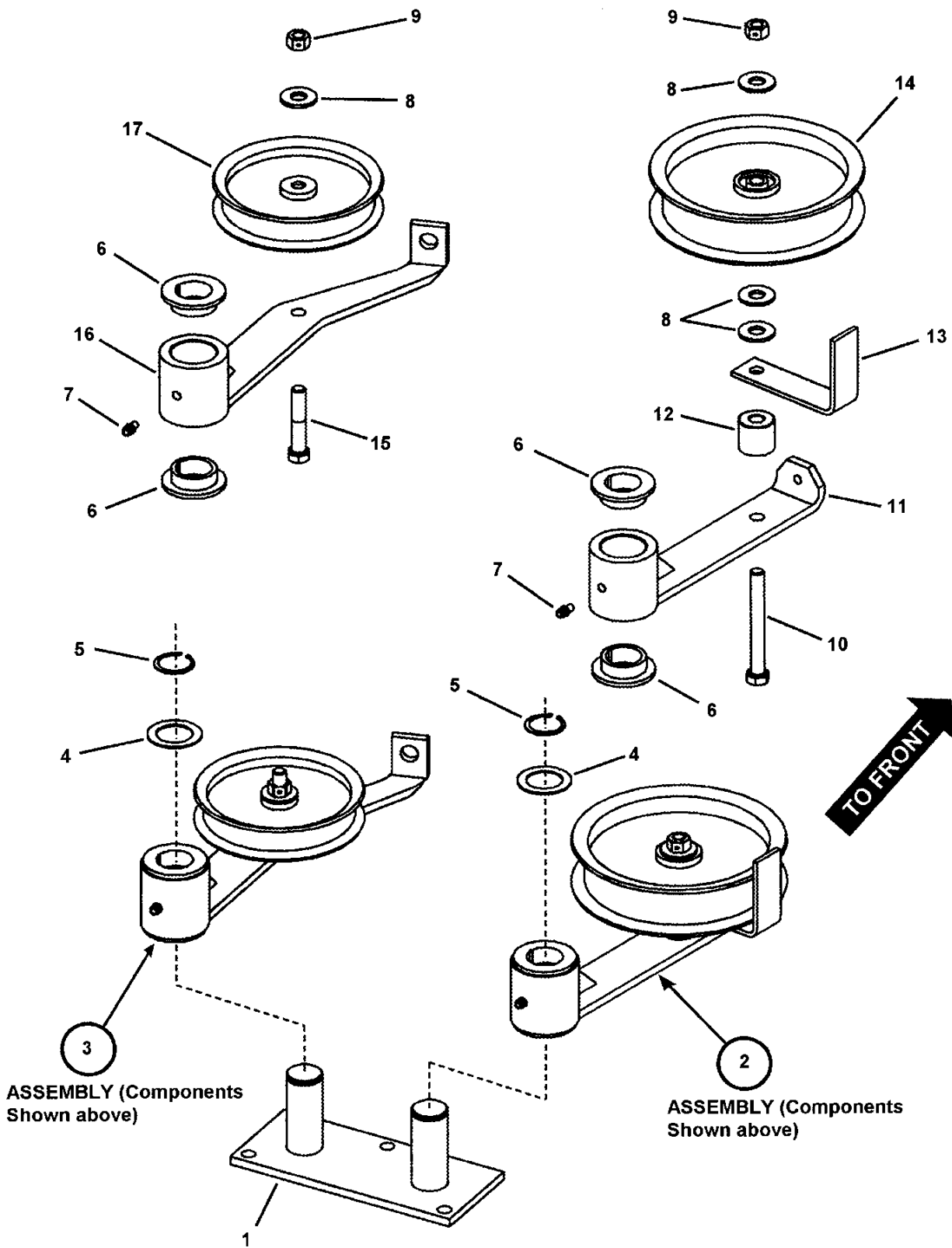
61" CUTTING DECK ASSEMBLY (Final Assy)

Item	Part No	Qty	Description	Note
1	7090361	4	SCREW, 5/16-18 x 5/8" Hex Washer Self-Tap	
2	7075384	2	SPINDLE COVER, 61" Deck	
3		1	ASSEMBLY, Idler (ref. Idler Assy page)	
4	7091304	3	SCREW, 3/8-16 x 1" Hex Head Cap, GR 5	
5	7100912	1	* BELT, HB Section	(97.0" nominal effective length)
6	7029268	1	* V-BELT, Secondary- 61" (HB Section)	(127.0" nominal effective length)
7	7029278	1	SPRING, Idler (1.17" O.D. x 7.5" long)	
8	7072915	1	SPRING, Idler Primary (1.25" O.D. x 10" long)	
9	7027950	1	SPRING, Chute	
10	7091313	1	COTTER PIN, 3/32 x 1"	
11	7029277	1	PIN, Chute Hinge	
12	7091299	7	NUT, 3/8-16 Hex Nyloc	
13		2	ASSY, Outer Spindle (ref. Deck Spindle Assy page)	
14		1	ASSY, Center Spindle (ref. Deck Spindle Assy page)	
15	7500232	1	ASSEMBLY, 61" Discharge Chute	<i>incl. items 12, 16, 17, 18 & 19</i>
16	7300034	1	DEFLECTOR BOTTOM (61" Deck)	
17	7091790	4	BOLT, 3/8-16 x 1-1/4" Square Neck Carriage, GR 5	
18	7100622	1	CHUTE, Rubber (61" Deck)	
19	7400007	1	WELDMENT, Discharge Chute 61"	

Footnotes:

* NOTE: Snapper part number stamped on belt

IDLER ASSEMBLY (61" Deck)

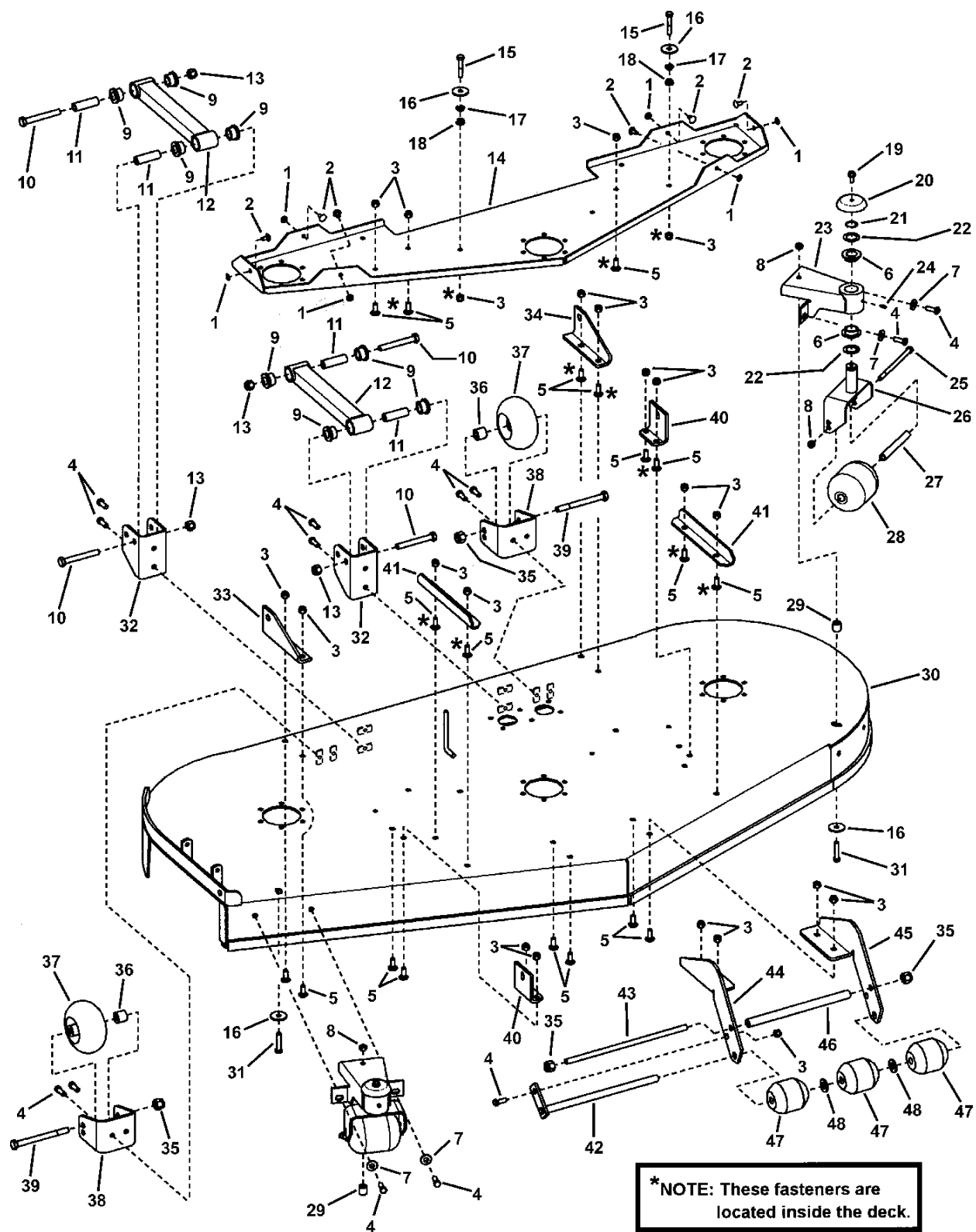


IDLER ASSEMBLY (61" Deck)

Item	Part No	Qty	Description	Note
1	7058147	1	WELDMENT, Idler Plate	
2		1	ASSEMBLY, Primary Idler	<i>Includes items 6 (2), 7, 8 (3), 9, 10, 11, 12, 13 & 14</i>
3		1	ASSEMBLY, Secondary Idler	<i>Includes items 6 (2), 7, 8, 9, 15, 16 & 17</i>
4	7023747	2	BUSHING, 1" Machine	
5	7012709	2	RING, 1" External Retaining	
6	7074720	2	BUSHING, Idler (Powdered Metal)	
7	7014669	2	LUBE FITTING, 3/16"	
8	7090517	4	WASHER, 3/8" Flat SAE	
9	7091585	2	NUT, 3/8-16 Hex Center Lock	
10	7027220	1	SCREW, 3/8-16 x 3-1/4" Hex Head Cap, GR 5	
11	7058877	1	WELDMENT, Primary Idler Arm	
12	7035657	1	BUSHING- Idler	
13	7035656	1	RETAINER, Idler Belt	
14	7034422	1	PULLEY, Flat Idler, 5.0 x .375 (Belt Clutch)	
15	7091553	1	SCREW, 3/8-16 x 1-3/4" Hex Head Cap, GR 5	
16	7058329	1	WELDMENT, Secondary Idler Arm	
17	7029273	1	PULLEY, Idler	

Footnotes:

73" CUTTING DECK ASSEMBLY (Sub Assy)

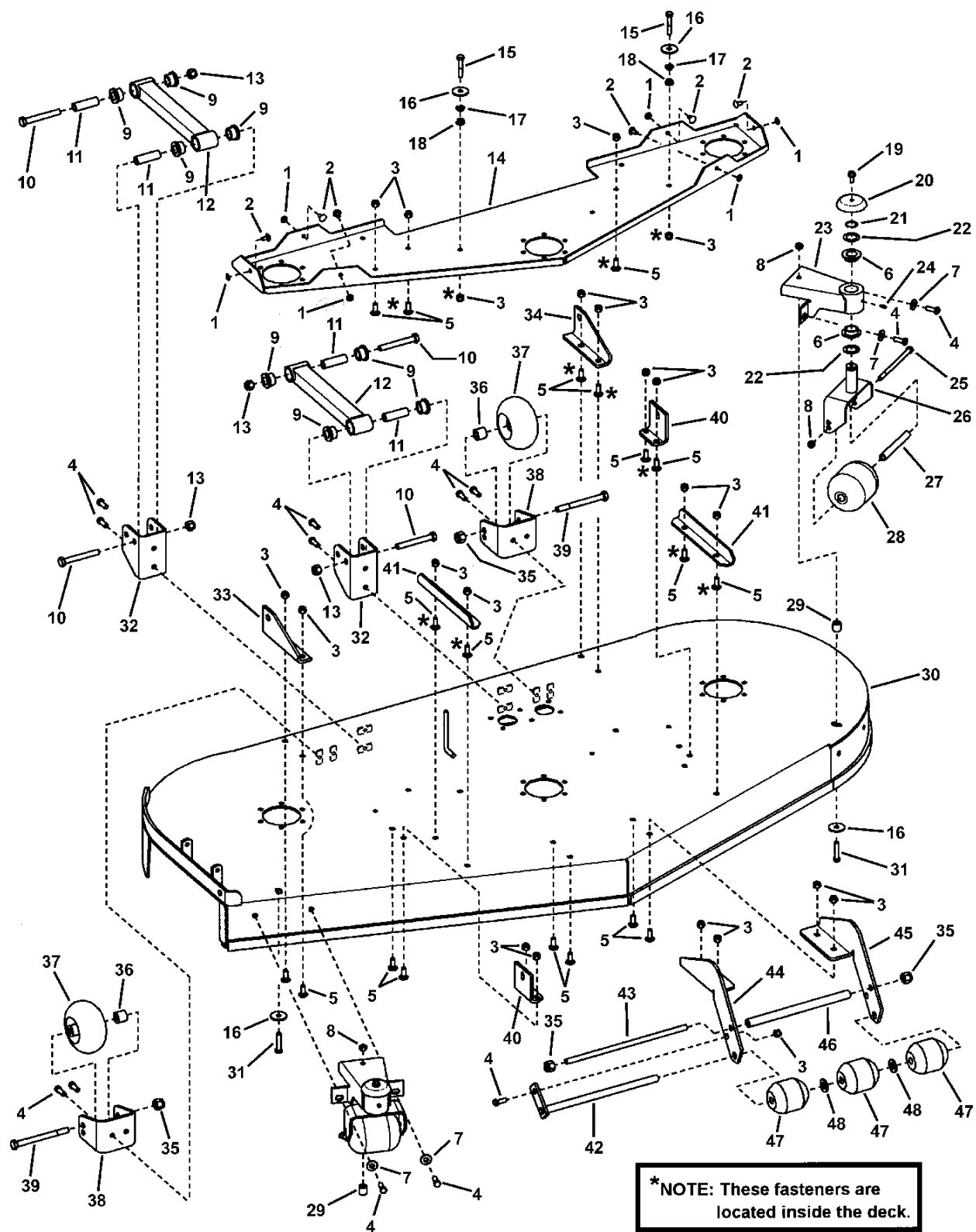


73" CUTTING DECK ASSEMBLY (Sub Assy)

Item	Part No	Qty	Description	Note
1	7011791	6	BOLT RETAINER, 5/16" Bolt	
2	7090799	6	BOLT, 5/16-18 x 5/8" Short Neck Carriage, GR 5	
3	7091299	22	NUT, 3/8-16 Hex Nyloc	
4	7091304	13	SCREW, 3/8-16 x 1" Hex Head Cap, GR 5	
5	7091640	22	BOLT, 3/8-16 x 1" Square Neck Carriage, GR 5	
6	7074720	4	BUSHING, Idler (Powdered Metal)	
7	7090517	4	WASHER, 3/8" Flat SAE	
8	7091585	4	NUT, 3/8-16 Hex Center Lock	
9	7029258	8	BUSHING- Suspension	
10	7029355	4	BOLT, 1/2-13 x 3-3/4" Hex Head Cap	
11	7029263	4	SLEEVE, Suspension	
12	7044823	2	WELDMENT, Pusher Bar	
13	7091922	4	NUT, 1/2-13 Hex Light Nyloc	
14	7300019	1	73" DECK STIFFENER	
15	7091305	2	SCREW 3/8-16 x 2" Hex Head Cap, GR 5	
16	7091331	4	WASHER, .406 x 1.50 x .120 Flat	
17	7012117	2	BUSHING, 3/8" Plastic	
18	7091619	2	NUT, 3/8-16 Hex Flange Lock	
19	7091541	2	SCREW, 5/16-18 x 3/4" Hex Washer Self-Tap	
20	7044839	2	CAP, Caster Shaft	
21	7012709	2	RING, 1" External Retaining	
22	7023747	4	BUSHING, 1" Machine	
23	7400154	2	WELDMENT, Gauge Wheel Support	
24	7014669	2	LUBE FITTING, 3/16"	
25	7091617	2	SCREW, 3/8-16 x 6" Hex Head Cap, GR 5	
26	7400153	2	WELDMENT, Caster, Gauge Wheel	
27	7079882	2	TUBE, Axle	
28	7079868	2	ROLLER 3-3/4 Dia. x 4-13/16" long	Polyethylene
29	7044752	2	SPACER, 3/4 O.D. x 13/32 I. D. x 3/4" long	
30	7400004	1	WELDMENT, 73" DECK	
31	7091553	3	SCREW, 3/8-16 x 1-3/4" Hex Head Cap, GR 5	
32	7300064	2	BRACKET, Stabilizer	
33	7300176	1	BRACKET, Deck Lift, RH Rear	
34	7300177	1	BRACKET, Deck Lift, LH Rear	
35	7091325	5	NUT, 1/2-13 Hex Nyloc	
36	7036456	2	SPACER, Gauge Wheel	
37	7029264	2	GAUGE WHEEL, Polyethylene	

Footnotes:

73" CUTTING DECK ASSEMBLY (Sub Assy)

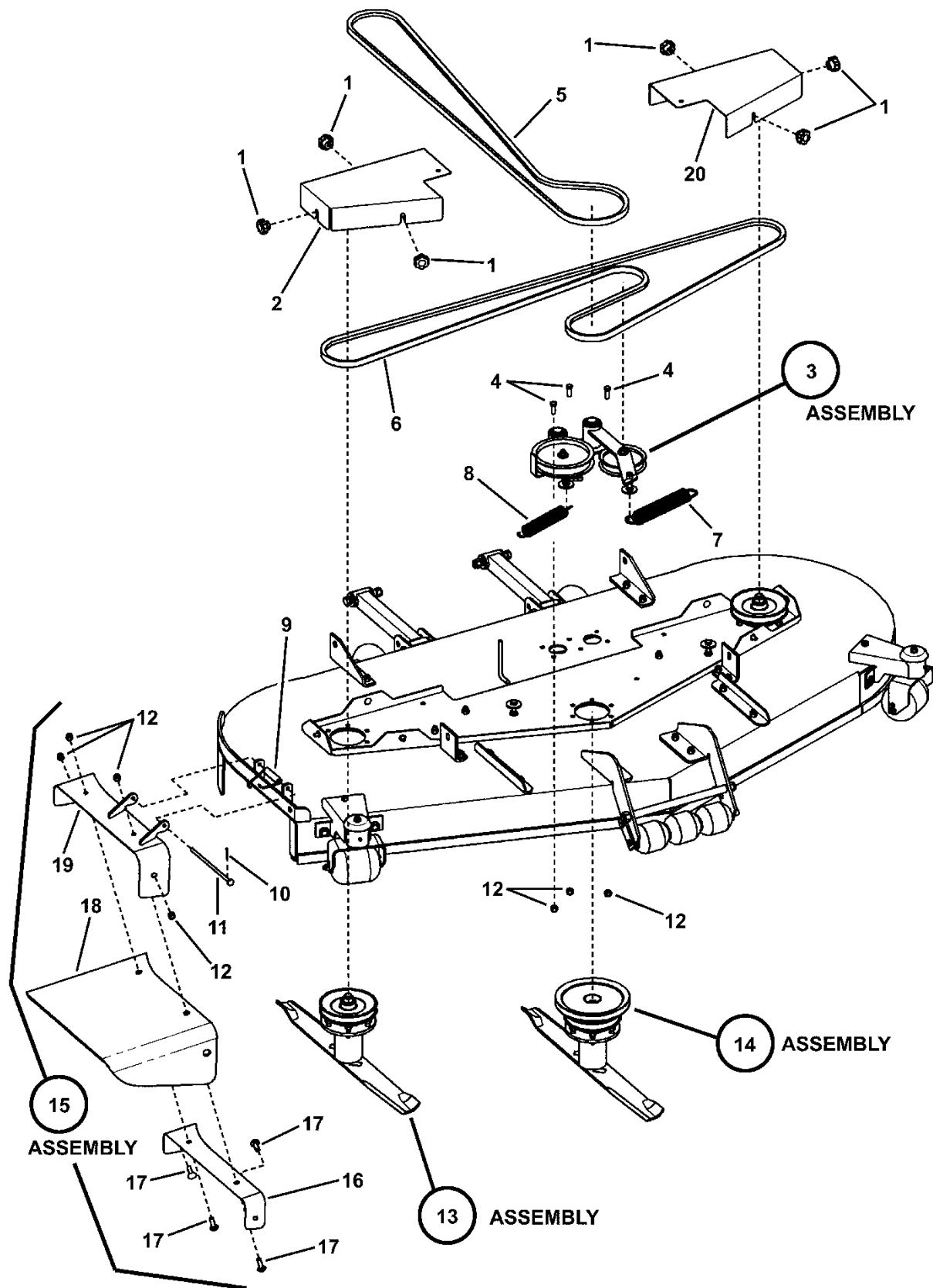


73" CUTTING DECK ASSEMBLY (Sub Assy)

Item	Part No	Qty	Description	Note
38	7036457	2	BRACKET, Gauge Wheel	
39	7091822	2	BOLT, 1/2-13 x 5" Hex Head	
40	7300175	2	DECK LIFT BRACKET, Front	
41	7300285	2	ANGLE, Deck Stiffener, 73 Deck	
42	7027327	1	WELDMENT, Pivot Pin	
43	7036461	1	ROD, Roller (1/2-13 Threaded)	
44	7300212	1	BRACKET, Front Roller, RH	
45	7300214	1	BRACKET, Front Roller, LH	
46	7036460	1	TUBE, Roller	
47	7073142	3	ROLLER, Low Density Polyethylene	or 7079226
48	7027344	2	WASHER, 5/8" Flat SAE	

Footnotes:

73" CUTTING DECK ASSEMBLY (Final Assy)



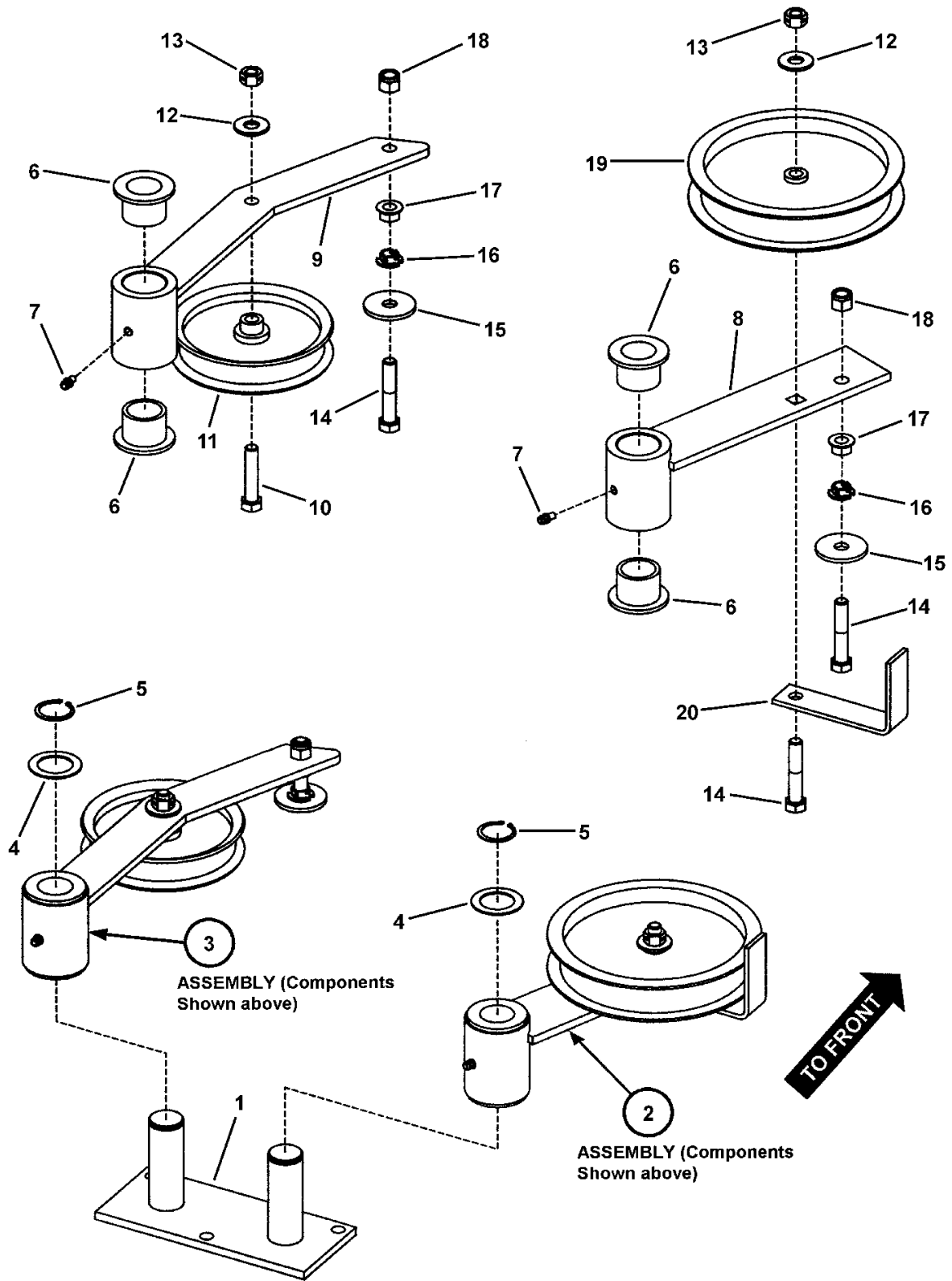
73" CUTTING DECK ASSEMBLY (Final Assy)

Item	Part No	Qty	Description	Note
1	7100516	6	KNOB, Fluted, 5/16-18 x 5/8"	
2	7300129	1	GUARD, Pulley, RH	
3		1	ASSEMBLY, Idler (see breakdown on Idler Assy page)	
4	7091304	3	SCREW, 3/8-16 x 1" Hex Head Cap, GR 5	
5	7100519	1	* BELT, HB Section, (engine to deck)	(106.434" nominal effective length)
6	7100521	1	* V-BELT, Secondary, HB Section	(141.871" nominal effective length)
7	7035667	1	SPRING, Extension, Lift Assist	
8	7072915	1	SPRING, Idler Primary (1.25" O.D. x 10" long)	
9	7027950	1	SPRING, Chute	
10	7091313	1	COTTER PIN, 3/32 X 1"	
11	7029277	1	PIN, Chute Hinge	
12	7091299	7	NUT, 3/8-16 Hex Nyloc	
13		2	ASSEMBLY, Spindle (ref. Deck Spindle Assy page)	
14		1	ASSEMBLY, Center Spindle (ref. Deck Spindle Assy page)	
15	7500233	1	ASSEMBLY, 73" Discharge Chute	incl. items 12, 16, 17, 18 & 19
16	7300368	1	DEFLECTOR, Bottom, 73" Deck	
17	7091790	4	BOLT, 3/8-16 x 1-1/4" Square Neck Carriage, GR 5	
18	7100669	1	CHUTE, Rubber, 73"	
19	7400148	1	WELDMENT, Discharge Chute Top, 73"	
20	7300371	1	GUARD, Pulley, LH	

Footnotes:

* NOTE: Snapper part number stamped on belt

IDLER ASSEMBLY (73" Deck)

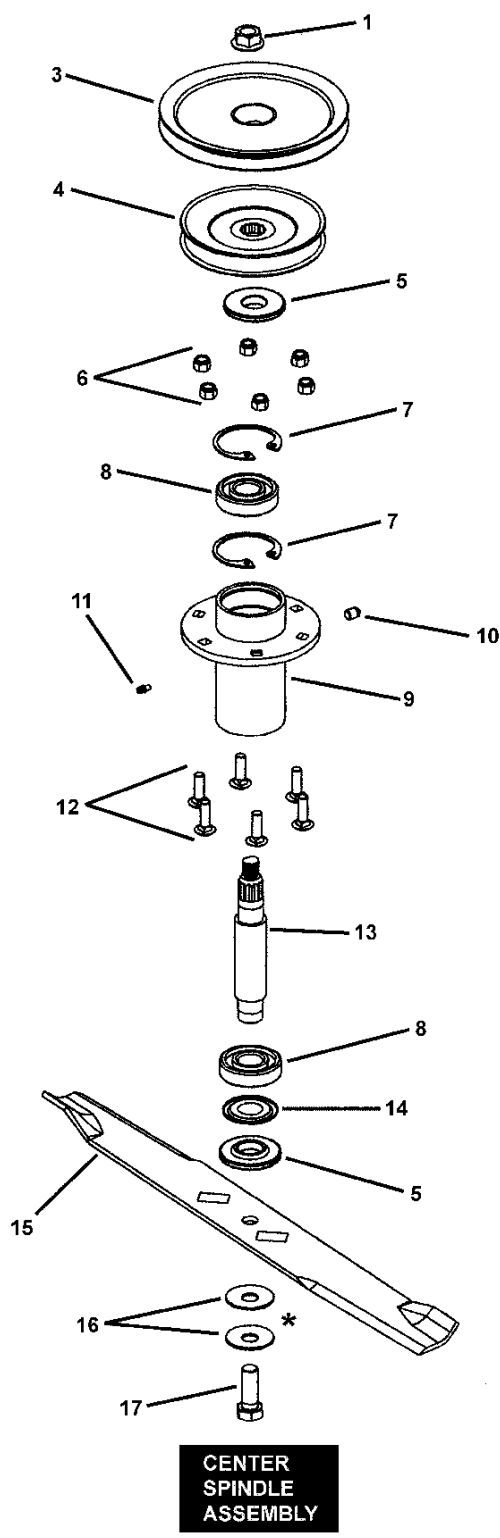
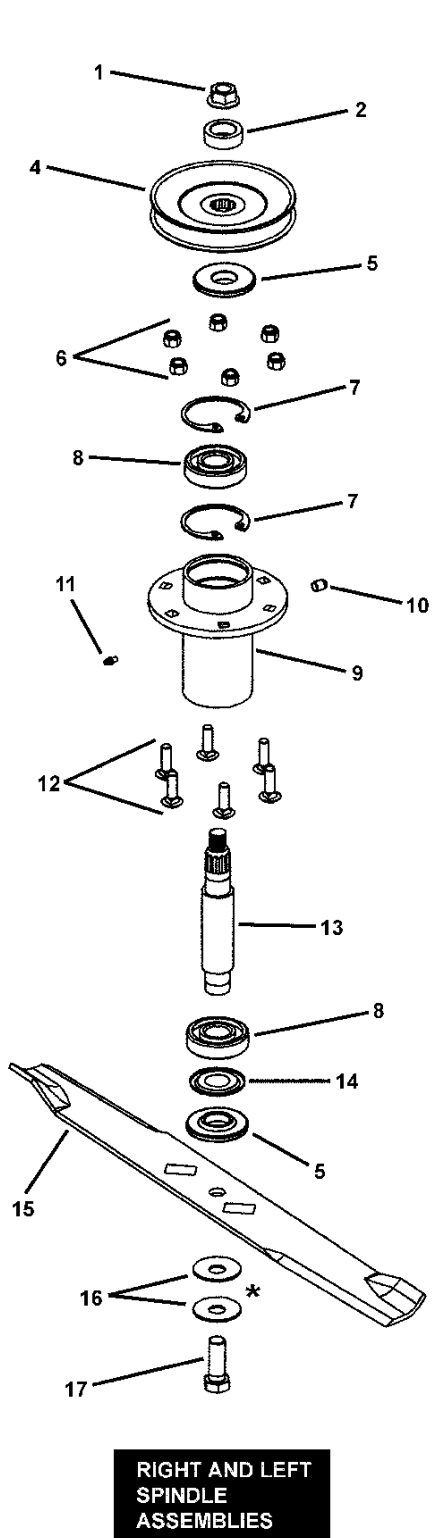


IDLER ASSEMBLY (73" Deck)

Item	Part No	Qty	Description	Note
1	7400113	1	WELDMENT, Idler Pivot Plate	
2		1	ASSEMBLY, Primary Idler	
3		1	ASSEMBLY, Secondary Idler	
4	7023747	2	BUSHING, 1" Machine	
5	7012709	2	RING, 1" External Retaining	
6	7023556	4	BUSHING, Caster	
7	7014669	2	LUBE FITTING, 3/16"	
8	7400111	1	WELDMENT, Deck Idler Arm	
9	7400112	1	WELDMENT, Secondary Idler Bracket	
10	7091553	1	SCREW, 3/8-16 x 1-3/4" Hex Head Cap, GR 5	
11	7029273	1	PULLEY, Idler	
12	7090517	2	WASHER, 3/8" Flat SAE	
13	7091585	2	NUT, 3/8-16 Hex Center Lock	
14	7091305	3	SCREW 3/8-16 x 2" Hex Head Cap, GR 5	
15	7091331	2	WASHER, .406 x 1.50 x .120 Flat	
16	7012117	2	BUSHING, 3/8" Plastic	
17	7091619	2	NUT, 3/8-16 Hex Flange Lock	
18	7091299	2	NUT, 3/8-16 Hex Nyloc	
19	7035789	1	PULLEY, Flat Idler, 5.5 O.D.	
20	7300444	1	RETAINER- Belt- Idler	

Footnotes:

DECK SPINDLE ASSEMBLIES



* NOTE: On 61" decks, use a quantity of one of this item. On 73" decks use a quantity of two.

DECK SPINDLE ASSEMBLIES

Item	Part No	Qty	Description	Note
1	7063237	3	NUT, 5/8-11 Hex Flange Lock, GR 5	
2	7029270	2	WASHER, Spindle	
3	7029250	1	PULLEY, Driven (61" Deck only)	
3	7100518	1	PULLEY- Driven (73" Deck only)	
4	7029245	3	PULLEY, 5.75" Diameter	
5	7074401	6	WASHER, Spindle	
6	7091299	18	NUT, 3/8-16 Hex Nyloc	
7	7091154	6	RETAINING RING, Internal	
8	7029422	6	BALL BEARING (double sealed, double shield)	
9	7045092	3	WELDMENT, 48" Spindle	
10	7029384	3	VENT, Spindle (Alemite # 321839)	
11	7076998	3	LUBE FITTING, 1/4-28 Straight	<i>or 7014669</i>
12	7091640	18	BOLT, 3/8-16 x 1" Square Neck Carriage, GR 5	<i>used on 61" Decks</i>
12	7091790	18	BOLT, 3/8-16 x 1-1/4" Square Neck Carriage, GR 5	<i>used on 73" decks</i>
13	7200025	3	SPINDLE SHAFT (5/8-11 threads)	
14	7063238	3	SEAL, Nylos	
15	7075770	3	BLADE, 21" (61" Deck only)	
15	7100721	3	BLADE, 25" (71" Deck only)	
16	7016440	3	WASHER, Beveled	
17	7091976	3	SCREW, 5/8-11 x 1-3/4" Hex Head Cap, GR 5	

Footnotes:

1 SNAPPER PRO™

2 [Roll-over Protection Structure Decal with 8 holes]

3 3500Z

4 30HP

5 32HP

6 [Hour Meter/PTO/IGNITION Decal]

7 [Cutting Hazard Warning Decal]

8 [Roll-over Protection Structure Caution Decal]

9 [Roll-over Protection Structure Precaución Decal]

10 [Oil Reservoir Warning Decal]

11 [Motion Control Levers Decal]

12 [Low Overhanging Obstacles Warning Decal]

13 [Gear Shift Decal]

14 [Danger Decal]

15 [Parking Brake Decal]

16 [Avoid Serious Injury or Death from Rollover - English Decal]

17 [Avoid Serious Injury or Death from Rollover - Spanish Decal]

18 [Avoid Serious Injury or Death from Rollover - English Decal]

19 [Avoid Serious Injury or Death from Rollover - Spanish Decal]

20 61

21 73

22 [Right Main Switch Decal]

23 [Left Main Switch Decal]

CAUTION
ROLL OVER PROTECTION STRUCTURE
To maintain operator protection and roll bar certification:
Replace a damaged roll bar, do NOT attempt to repair or modify.
Any alteration of the roll bar must be approved by the manufacturer.
DO NOT exceed the machine weight rating of the roll bar.

PRECAUCIÓN
ESTRUCTURA PROTECTORA CONTRA VOLCADURAS
Para mantener protegido al operador y la certificación de la barra antivuelco:
Reemplazé la barra antivuelco dañada. NO intente repararla ni modificarla.
Cualquier cambio a la barra antivuelco debe ser aprobado por el fabricante.
NO exceda la clasificación de peso de la máquina que especifica la barra antivuelco.

WARNING
Cutting Hazard
Fans rotate while engine is running. Keep away while engine is running.
ATENCIÓN
Peligro de corte
Los ventiladores giran mientras el motor está funcionando.
Manténgase lejos mientras el motor está funcionando.

ADVERTENCIA
Evite lesiones graves o la muerte debido a un vuelco.
No maneje la máquina sin tener la barra antivuelco instalada y operacional.

WARNING
Avoid serious injury or death from rollover.
Do not operate without the rollbar installed and operational.

DO NOT OVERFILL OIL RESERVOIRS!
MAINTAIN OIL LEVEL AT 1.5" FROM THE TOP OF THE TANK FILLER NECK.

CAUTION
EVITE LLENAR EN EXCESO LOS RESERVOIRES DE ACEITE.
MANTENGA EL NIVEL DE ACEITE A 1.5" DE LA SUPERFICIE SUPERIOR DEL TANQUE DE REPOLENAMIENTO.
PRECAUCIÓN
REANUNCIAR POR FAVOR. LA TENENCIA DE LOS RESERVOIRES DE ACEITE DEBE SER VERIFICADA ANTES DE USAR LA MÁQUINA. SI SE ENCONTRA UN NIVEL DE ACEITE ALTO, DEBE SER AJUSTADO A LA CANTIDAD CORRECTA. LA MÁQUINA DEBE SER REVISADA POR EL SERVICIO TÉCNICO DE LA MÁQUINA.

MOTION CONTROL LEVERS
PALANCAS DE CONTROL DE MOVIMIENTO
FORWARD AVANCE
LEFT TURN VIRAJE A LA IZQUIERDA
RIGHT TURN VIRAJE A LA DERECHA
REVERSE RETROCESO

LOW OVERHANGING OBSTACLES HAZARD
Check for overhead obstructions before driving under any objects. Do NOT allow roll bar to contact low overhanging obstacles, such as tree branches and guide wires.

PELIGRO DE OBSTACULOS COLGANTES A BAJA ALTURA
Verifique el margen de altura antes de conducir por debajo de cualquier objeto. NO deje que la barra antivuelco choque con obstáculos colgantes a baja altura, como ramas de árboles y alambres de guía.

DANGER
KEEP HANDS AND FEET AWAY. DO NOT OPERATE MOWER UNLESS GUARDS OR THE ENTIRE GRASS CATCHER IS IN ITS PROPER PLACE.
ASSEMBLE CHUTE DEFLECTOR TO THIS UNIT BEFORE OPERATING!

PARKING BRAKE
FRENO DE ESTACIONAMIENTO

AVOID SERIOUS INJURY OR DEATH FROM ROLL OVER:
Keep roll bar in the raised position and use seat belt.
THERE IS NO ROLL OVER PROTECTION WHEN THE ROLL BAR IS DOWN.
Lower the roll bar only when necessary and NEVER remove it.
Do NOT use seat belt when the roll bar is down.
Raise the roll bar as soon as clearance permits.
Do NOT jump off if mower tips.
Read and follow all operating instructions and warnings in the operator's manual.

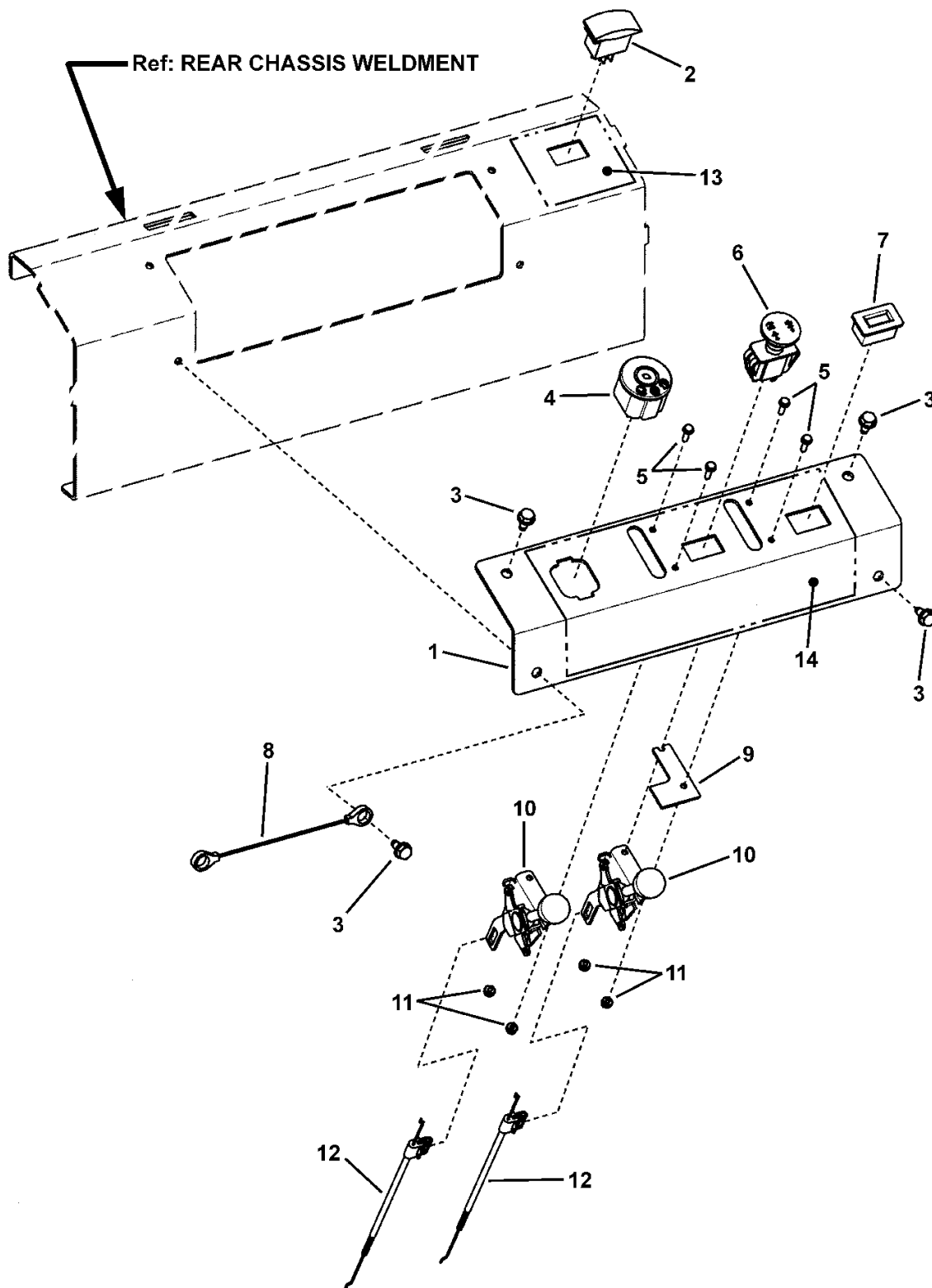
EVITE SERIAS LESIONES GRAVES O LA MUERTE DEBIDO A UN VUELCO:
Mantenga la barra antivuelco en la posición elevada y utilícelo con el cinturón de seguridad.
NO baje el antivuelco cuando esté operando la máquina.
Baje la barra antivuelco solo cuando sea necesario y NUNCA la quite.
No use el cinturón de seguridad cuando la barra antivuelco está abajo.
Levante la barra antivuelco tan pronto como permita el espacio.
No salte del cortacésped si éste se voltea.
Lea el manual del operador y siga todas las instrucciones de operación y advertencias en el manual del operador.

DECALS

Item	Part No	Qty	Description	Note
1	7074862	2	DECAL, Snapper Pro	
2	7100652	1	DECAL, Detent Channel	
3	7100696	1	DECAL, Control Panel	
4	7100708	1	DECAL, 3500 Z, 30 HP	
5	7100707	1	DECAL, 3500 Z, 32 HP	
6	7075296	1	DECAL, Caution, Spring Tension	
7	7100817	1	DECAL, Caution Fan	
8	7100170	1	DECAL, Caution ROPS	
9	7100171	1	DECAL, Caution ROPS (Spanish)	
10	7075433	1	DECAL, Oil Reservoir Overfill Warning	
11	7075039	1	DECAL, Motion Control Levers	
12	7100284	1	DECAL, ROPS Overhang	
13	7035846	1	DECAL, Fuse	
14	7073647	2	DECAL, Danger, Guard/Catcher	
15	7100697	1	DECAL, Parking Brake Lever & Lights	
16	7100843	2	DECAL, Warning (SP)	
17	5100683	2	DECAL, Warning, Rollbar	
18	7100172	1	DECAL, Warning ROPS	
19	7100173	1	DECAL, Warning ROPS (Spanish)	
20	7075567	1	DECAL, 61" Deck, (silver)	
21	7046371	1	DECAL, 73" Deck	
22	7027733	1	DECAL, Ear Protection	
23	7045108	1	DECAL, Tank Selector, MMZ	

Footnotes:

CONTROL PANEL ASSEMBLY



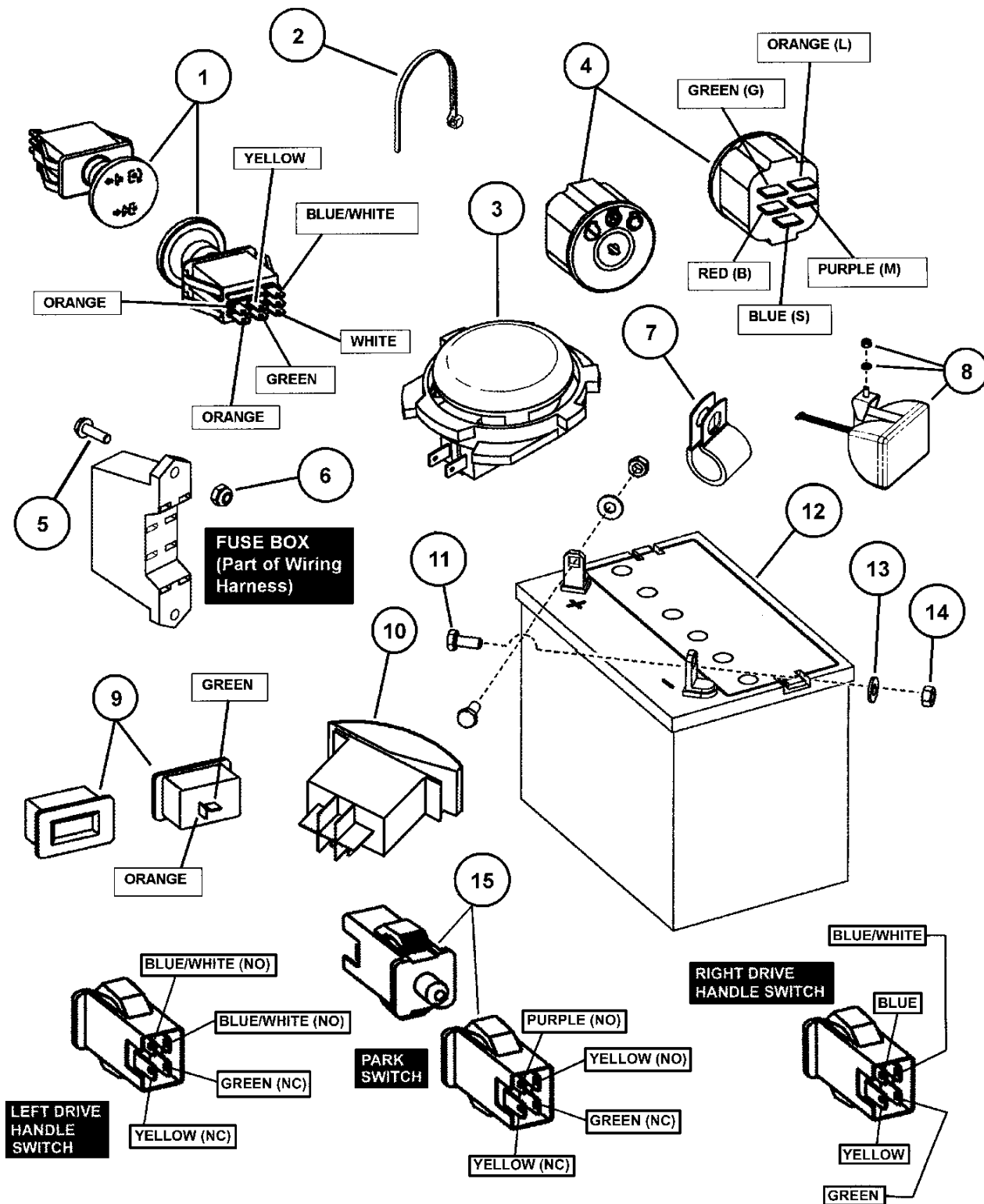
CONTROL PANEL ASSEMBLY

Item	Part No	Qty	Description	Note
1	7300143	1	CONTROL PANEL, Detached	
2	7035659	1	* SWITCH, Lights	
3	7090361	4	SCREW, 5/16-18 x 5/8" Hex Washer Self-Tap	
4	7072684	1	* SWITCH, Ignition	
5	7091240	4	SCREW, #10-32 x 5/8" Hex Washer Self-Tap	
6	7075132	1	* SWITCH, PTO, Yellow	
7	7074796	1	* HOUR METER w/Flash Alerts	
8	7075086	1	STRAP, Tether	
9	7300225	1	CHOKE PLATE, Kohler	
10	7074801	2	CONTROL LEVER, Throttle/Choke	
11	7090376	4	NUT, #10-32 Nyloc	
12	7100528	2	CABLE, Throttle Control	
13	7100697	1	DECAL, Parking Brake Lever & Lights	<i>Ref: Decal Page</i>
14	7100696	1	DECAL, Control Panel	<i>Ref: Decal Page</i>

Footnotes:

* Note: Also shown on Electrical Components page.

ELECTRICAL COMPONENTS



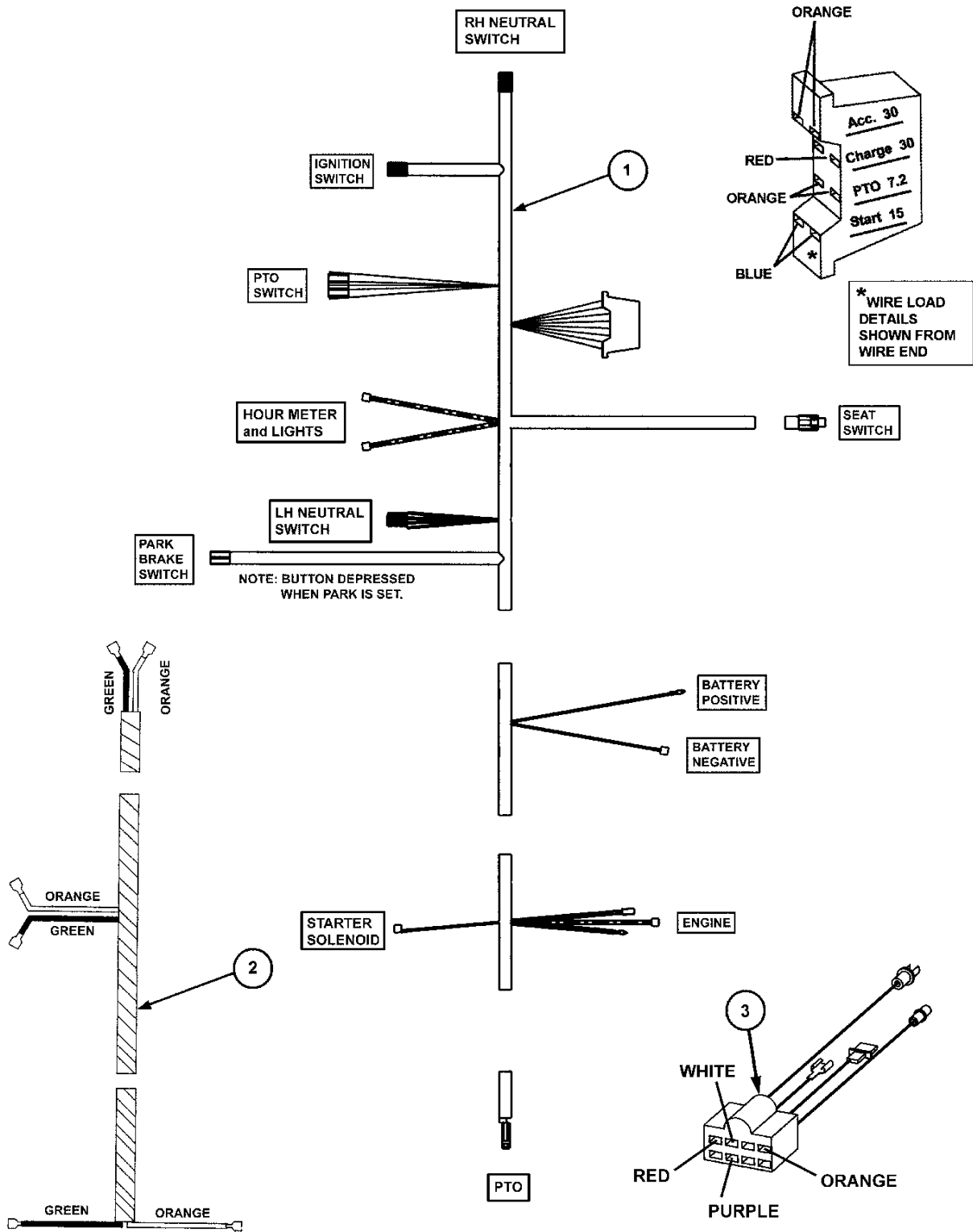
ELECTRICAL COMPONENTS

Item	Part No	Qty	Description	Note
1	7075132	1	* SWITCH, PTO, Yellow	
2	7012080	8	CABLE TIE, 7" Long	
3	7023354	1	S WITCH, Seat, NC	<i>also shown on SEAT ASSEMBLY page</i>
4	7072684	1	*SWITCH, Ignition	<i>Indak p/n D473A</i>
5	7091240	2	SCREW, #10-32 x 5/8" Hex Washer Self-Tap	
6	7090376	2	NUT, #10-32 Nyloc	
7	7015861	1	CLIP, Harness	
8	7100527	2	HEADLIGHT, w/Connectors	
9	7074796	1	* HOUR METER w/Flash Alerts	<i>Sendec Corp. Model No. 804- 204</i>
10	7035659	1	* SWITCH, Lights	
11	7090072	2	SCREW, 1/4-20 x 5/8" Hex Head Cap GR 5	
12	7075911	1	BATTERY, 11 Plate 375CCA- Wet	
13	7091294	2	WASHER, 1/4" Flat	
14	7090372	2	NUT, 1/4-20 Hex Center Lock	
15	7022886	3	SWITCH, DP NO/NC Snap-In	
16	7073406	1	KEY SET, Ignition (not shown)	<i>qty. 2 keys per set</i>

Footnotes:

* Note: Also shown on Control Panel Assembly Page.

WIRING HARNESS (Briggs Engines)

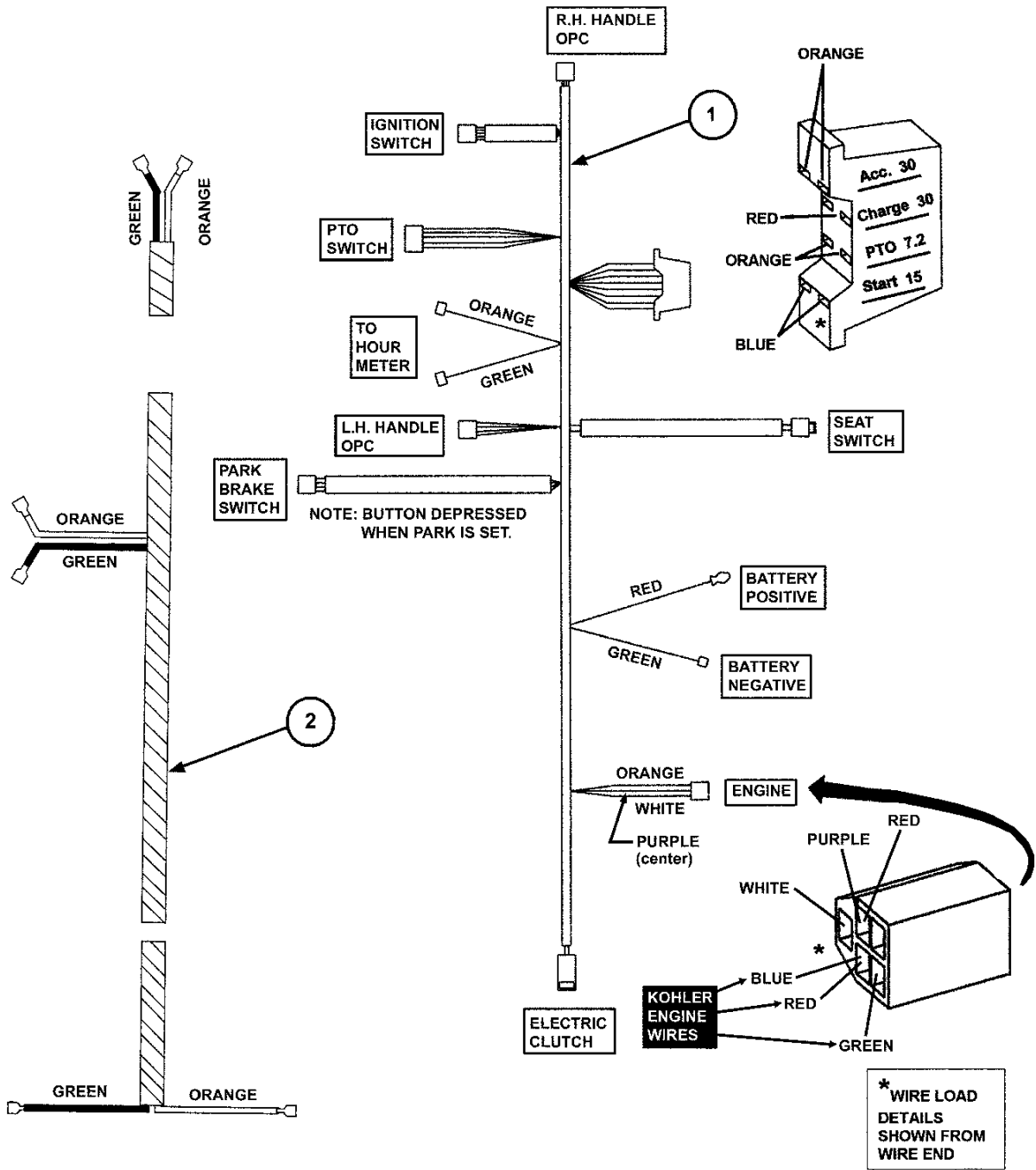


WIRING HARNESS (Briggs Engines)

Item	Part No	Qty	Description	Note
1	7074795	1	WIRE HARNESS, Briggs 32 HP	
2	7100700	1	WIRE HARNESS, Lights	
3	7100768	1	WIRE HARNESS, Engine	
4	7100766	1	WIRE HARNESS, Ground	<i>not shown</i>
5	7100767	1	WIRE HARNESS, Power	<i>not shown</i>
6	7100769	1	WIRE HARNESS, Clutch	<i>not shown</i>
7	7075038	1	CABLE, Battery- Positive (6 Gage, 34" long)	<i>not shown</i>
8	7035609	1	CABLE, Battery- Ground (6 Gage/14 Gage, 23" long)	<i>not shown</i>

Footnotes:

WIRING HARNESS (Kohler Engines)

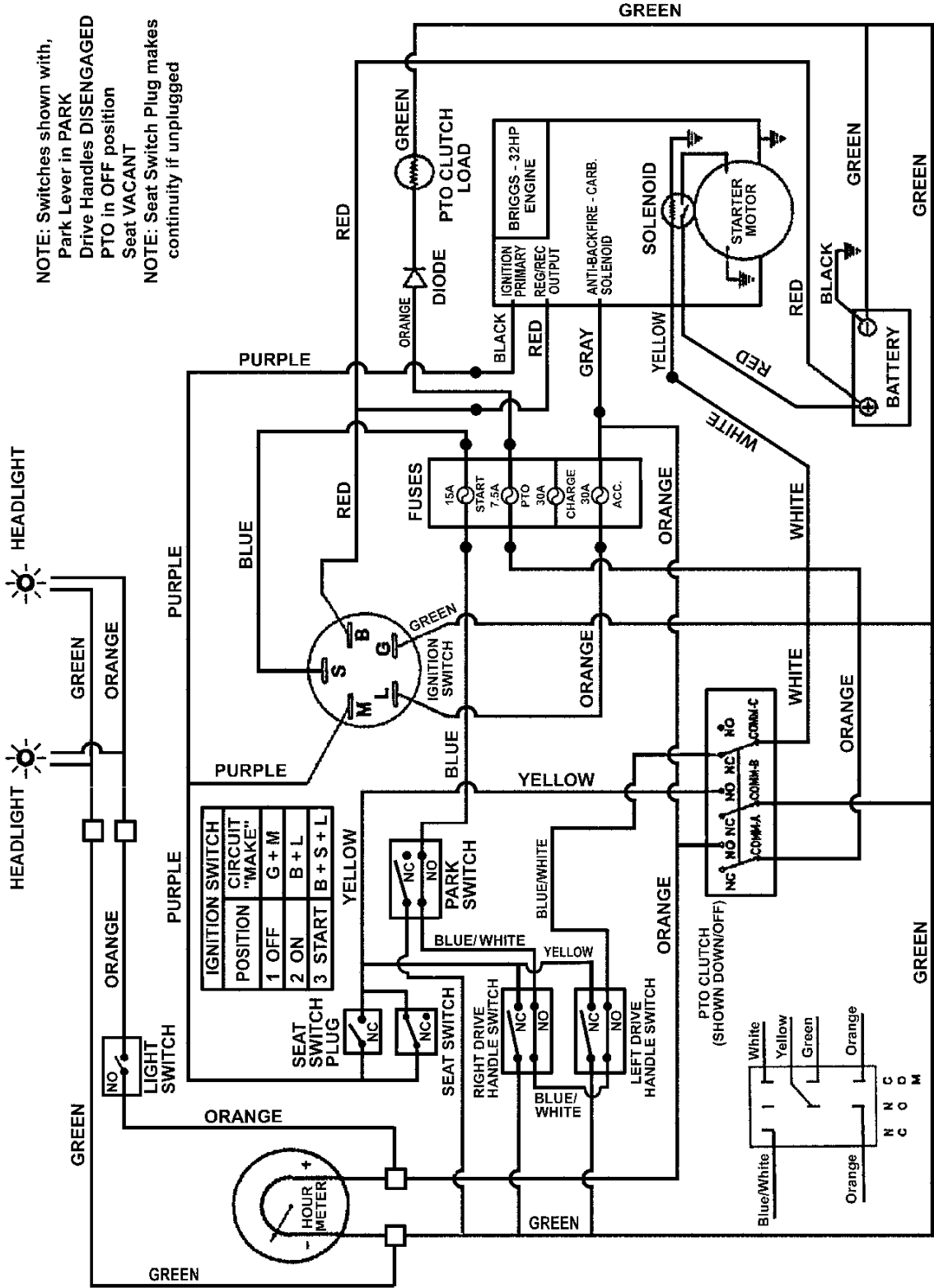


WIRING HARNESS (Kohler Engines)

Item	Part No	Qty	Description	Note
1	7029337	1	WIRE HARNESS, Kohler/Twin	
2	7100700	1	WIRE HARNESS, Lights	
3	7100766	1	WIRE HARNESS, Ground	<i>not shown</i>
4	7100767	1	WIRE HARNESS, Power	<i>not shown</i>
5	7100769	1	WIRE HARNESS, Clutch	<i>not shown</i>
6	7075038	1	CABLE, Battery- Positive (6 Gage, 34" long)	<i>not shown</i>
7	7035609	1	CABLE, Battery- Ground (6 Gage/14 Gage, 23" long)	<i>not shown</i>

Footnotes:

WIRING SCHEMATIC (Briggs Engines)



NOTE: Switches shown with, Park Lever in PARK Drive Handles DISENGAGED PTO in OFF position Seat VACANT
NOTE: Seat Switch Plug makes continuity if unplugged

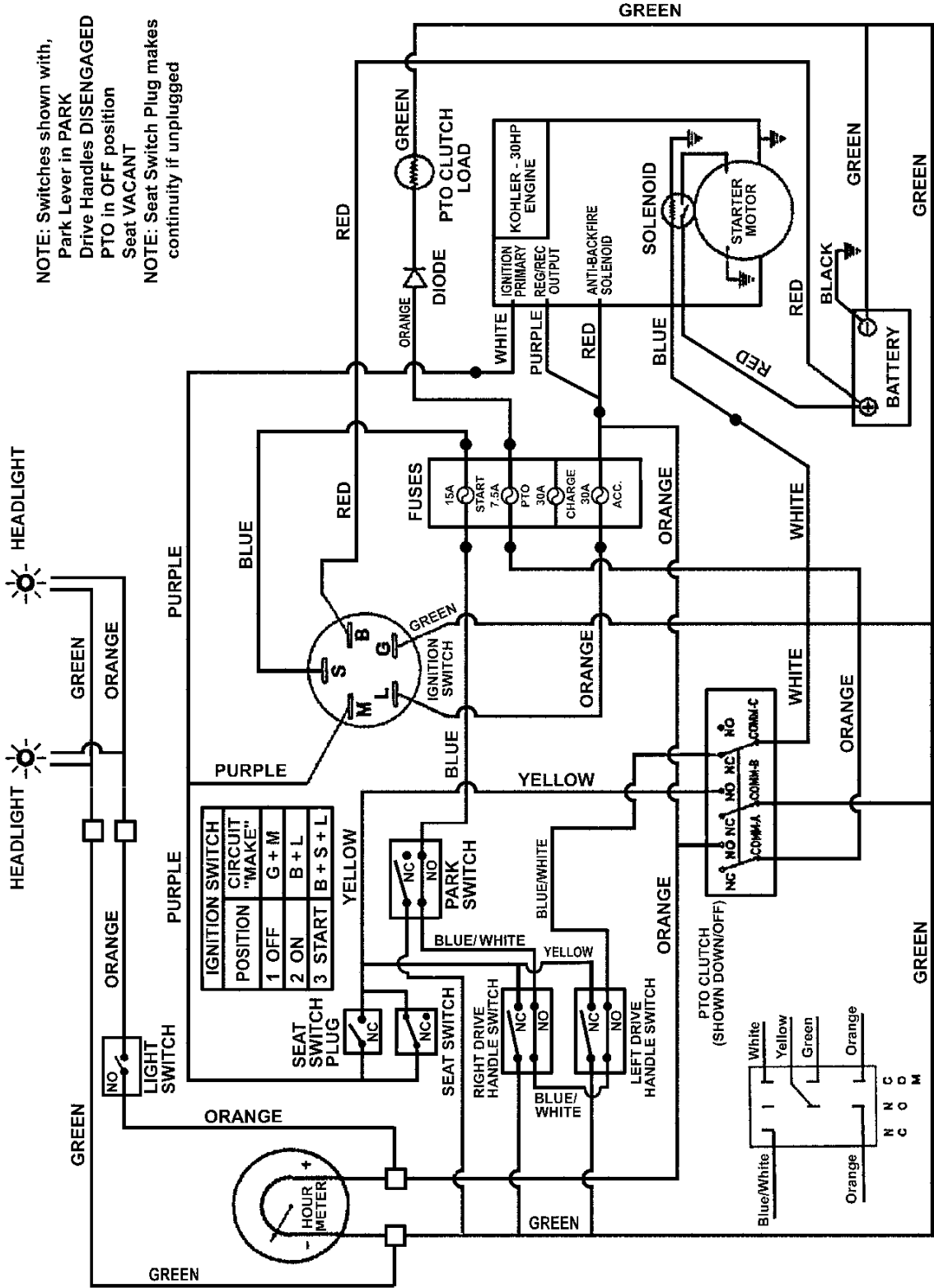
SCHEMATIC - WIRING HARNESS P.N. 7074795, 7100700, 7100766, 7100767 & 7100768

WIRING SCHEMATIC (Briggs Engines)

Item	Part No	Qty	Description	Note
1	7074795	1	HARNESS, Wiring	

Footnotes:

WIRING SCHEMATIC (Kohler Engines)



NOTE: Switches shown with, Park Lever in PARK Drive Handles DISENGAGED PTO in OFF position Seat VACANT
NOTE: Seat Switch Plug makes continuity if unplugged

SCHEMATIC - WIRING HARNESS P.N. 7029337, 7100769, 7100766, 7100767 & 7100700

WIRING SCHEMATIC (Kohler Engines)

Item	Part No	Qty	Description	Note
1	7029337	1	HARNESS, Wiring, Kohler/Twin	

Footnotes:

Parts Manual for

SNAPPER®

MID MOUNT LARGE FRAME Z-RIDER ZERO TURNING HYDRO DRIVE NZMX SERIES 4

IT IS THE POLICY OF SNAPPER TO IMPROVE ITS PRODUCTS
WHENEVER IT IS POSSIBLE AND PRACTICAL TO DO SO. WE
RESERVE THE RIGHT TO MAKE CHANGES OR ADD IMPROVEMENTS
AT ANY TIME WITHOUT INCURRING ANY OBLIGATION TO MAKE
SUCH CHANGES ON PRODUCTS MANUFACTURED PREVIOUSLY.

SNAPPER® McDonough, GA, 30253 U.S.A.