

*Parts Manual for*

# **SNAPPER®**

## **MID MOUNT Z-RIDER ZERO TURNING HYDRO DRIVE NZMJ SERIES 3**



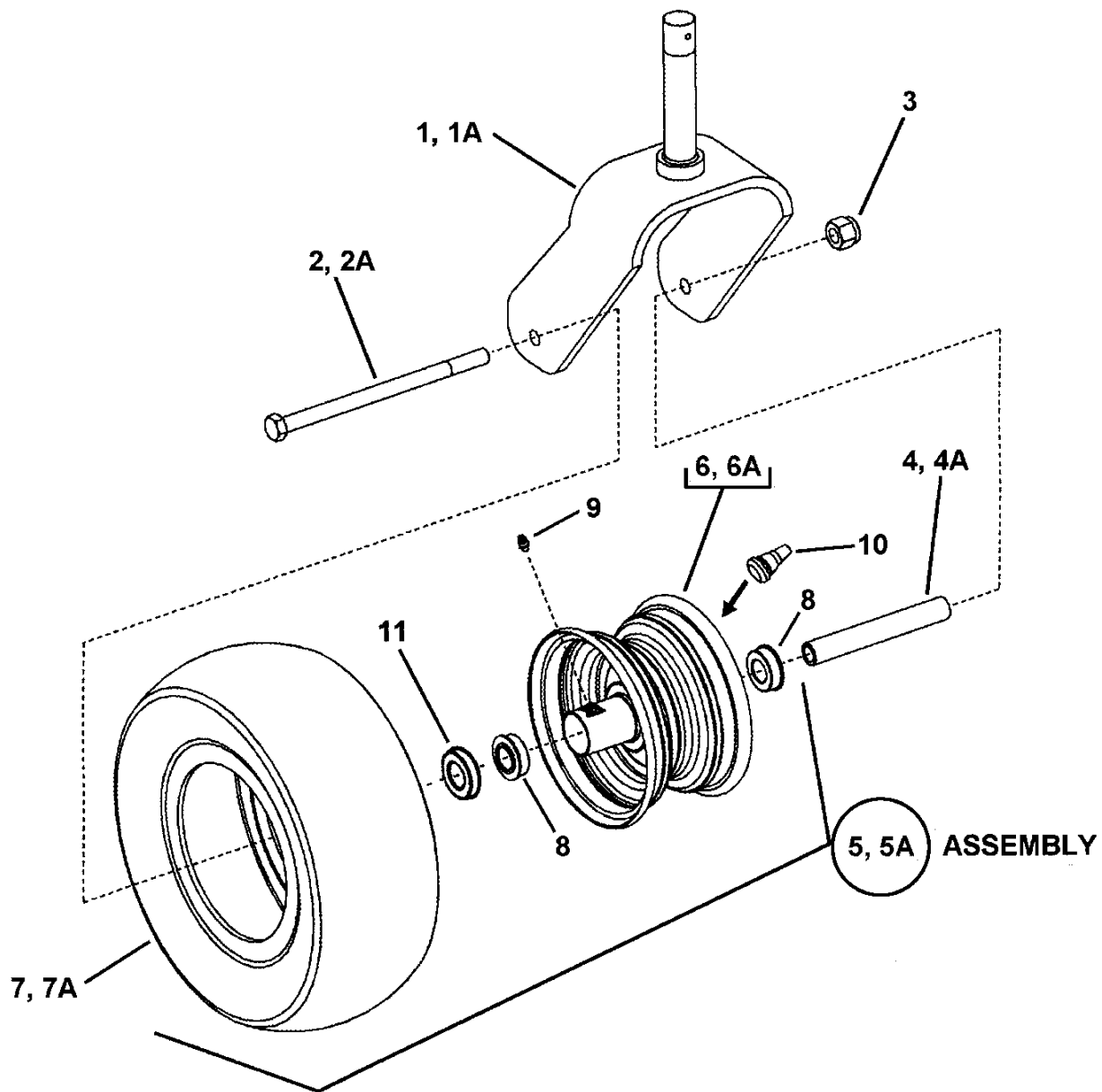
| <b>MODEL</b>       |
|--------------------|
| <b>NZMJ23523KH</b> |
| <b>NZMJ25613KH</b> |

**SNAPPER®** McDonough, GA, 30253 U.S.A.



| <b>PAGE</b> | <b>GROUP</b>                           |
|-------------|--|
| 4           | CASTER WHEEL ASSEMBLY                  |
| 6           | DRIVE TIRE & WHEEL ASSEMBLY            |
| 8           | FRONT FRAME ASSEMBLY (Frame)           |
| 12          | FRONT FRAME ASSEMBLY (Deck Lift)       |
| 14          | REAR FRAME & TANK BRACKETS             |
| 16          | FUEL TANK ASSEMBLY                     |
| 18          | JOYSTICK CONTROL ASSEMBLY (R. H. Side) |
| 20          | JOYSTICK CONTROL ASSEMBLY (L. H. Side) |
| 22          | PARKING BRAKE ASSEMBLY                 |
| 24          | HYDRO PUMP ASSEMBLIES                  |
| 26          | HYDRO PUMP LINKAGE                     |
| 28          | HOSE ASSEMBLY (52" Deck)               |
| 30          | HOSE ASSEMBLY (61" Deck)               |
| 32          | HYDRO RESERVOIR ASSEMBLY               |
| 34          | HYDRO IDLER ASSEMBLY                   |
| 36          | ENGINE SUB-ASSEMBLY                    |
| 38          | SEAT ASSEMBLY                          |
| 40          | MUFFLER GUARD ASSEMBLY                 |
| 42          | 52" CUTTING DECK ASSEMBLY (Sub Assy)   |
| 44          | 52" CUTTING DECK ASSEMBLY (Final Assy) |
| 46          | 61" CUTTING DECK ASSEMBLY (Sub Assy)   |
| 48          | 61" CUTTING DECK ASSEMBLY (Final Assy) |
| 50          | IDLER ASSEMBLIES                       |
| 52          | DECK SPINDLE ASSEMBLIES                |
| 54          | DECALS                                 |
| 56          | ROLL BAR PROTECTIVE STRUCTURE          |
| 58          | CONTROL PANEL ASSEMBLY                 |
| 60          | ELECTRICAL COMPONENTS                  |
| 62          | WIRING HARNESS                         |
| 64          | WIRING SCHEMATIC (Kohler Engines)      |

# CASTER WHEEL ASSEMBLY



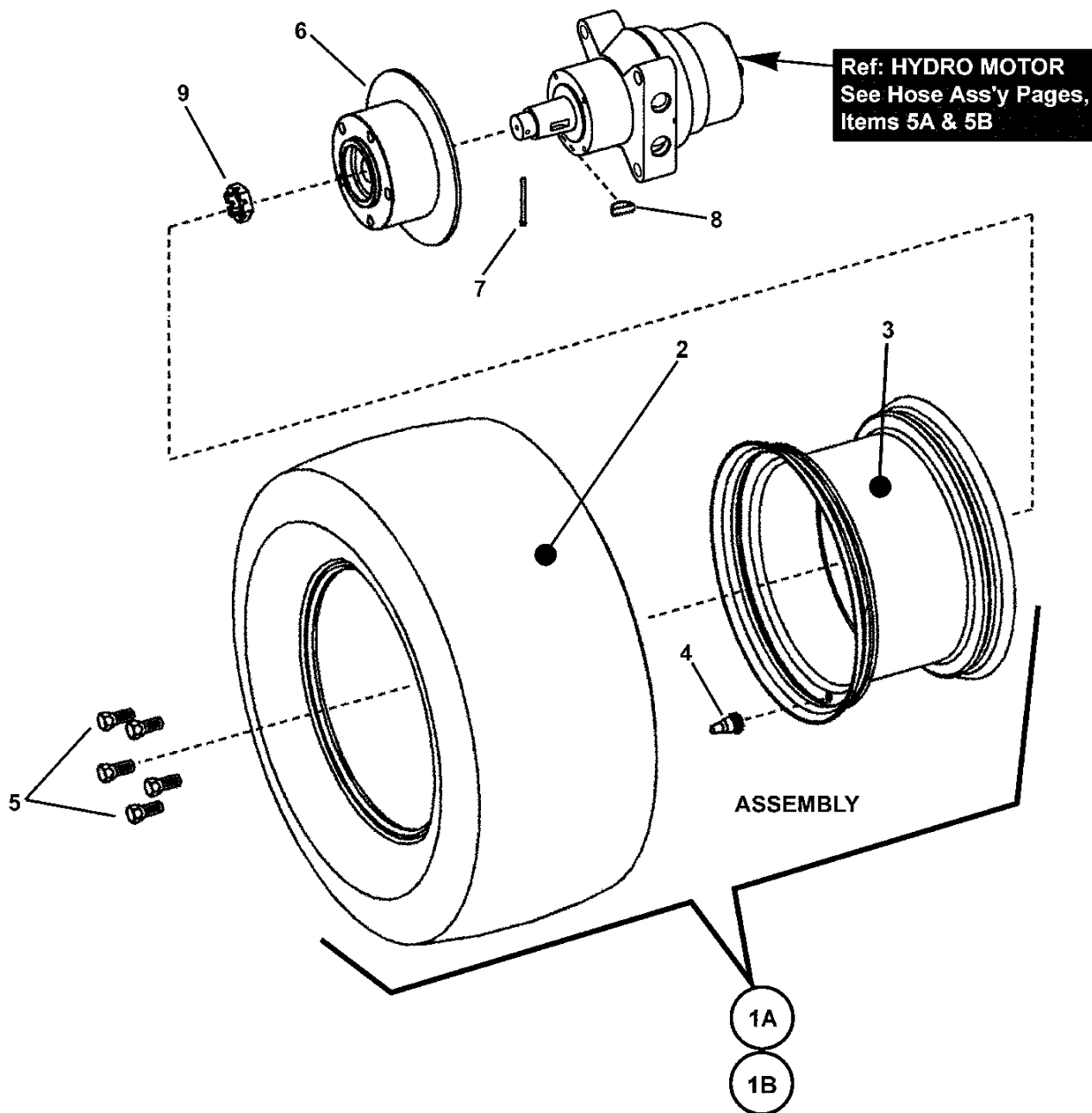
## CASTER WHEEL ASSEMBLY

---

| Item | Part No | Qty | Description  | Note                               |
|------|---------|-----|--|------------------------------------|
| 1    | 7058744 | 2   | WELDMENT, Caster Yoke                                  | <i>used on 52" Deck Model only</i> |
| 1A   | 7075398 | 2   | WELDMENT, Caster Yoke, 7-1/4" Wide                     | <i>used on 61" Deck Model only</i> |
| 2    | 7091773 | 1   | SCREW, 1/2-13 x 7" Hex Head Cap, GR 5                  | <i>used on 52" Deck Model only</i> |
| 2A   | 7092094 | 2   | SCREW, 1/2-13 x 9-1/2" Hex Head Cap, GR 5              | <i>used on 61" Deck Model only</i> |
| 3    | 7091325 | 1   | NUT, 1/2-13 Nyloc                                      |                                    |
| 4    | 7035476 | 1   | SPACER, Bearing, 5.29" Long                            | <i>used on 52" Deck Model only</i> |
| 4A   | 7075462 | 1   | SPACER, Bearing, 7.29" Long                            | <i>used on 61" Deck Model only</i> |
| 5    | 7026188 | 2   | ASSY, Tire & Wheel (Incl. items 6, 7, 8, 9, 10 & 11)   | <i>used on 52" Deck Model only</i> |
| 5A   | 7072795 | 2   | ASSY, Tire & Wheel (Incl. items 6A, 7A, 8, 9, 10 & 11) | <i>used on 61" Deck Model only</i> |
| 6    | 7078276 | 1   | WELDMENT, Wheel Hub & Rim (Grey)                       | <i>used on 52" Deck Model only</i> |
| 6A   | 7078285 | 1   | WELDMENT, Wheel Hub & Rim (Grey)                       | <i>used on 61" Deck Model only</i> |
| 7    | 7078275 | 1   | TIRE, 13 x 5.00-6 4 Ply Smooth TL                      | <i>used on 52" Deck Model only</i> |
| 7A   | 7078277 | 1   | TIRE, 13 x 6.5-6 4 Ply Smooth TL                       | <i>used on 61" Deck Model only</i> |
| 8    | 7028722 | 2   | BEARING, .750 Heim                                     |                                    |
| 9    | 7076998 | 1   | FITTING, Lube  |                                    |
| 10   | 7012234 | 1   | VALVE STEM, Air  |                                    |
| 11   | 7075883 | 1   | SPACER   |                                    |

### Footnotes:

**DRIVE TIRE & WHEEL ASSEMBLY**



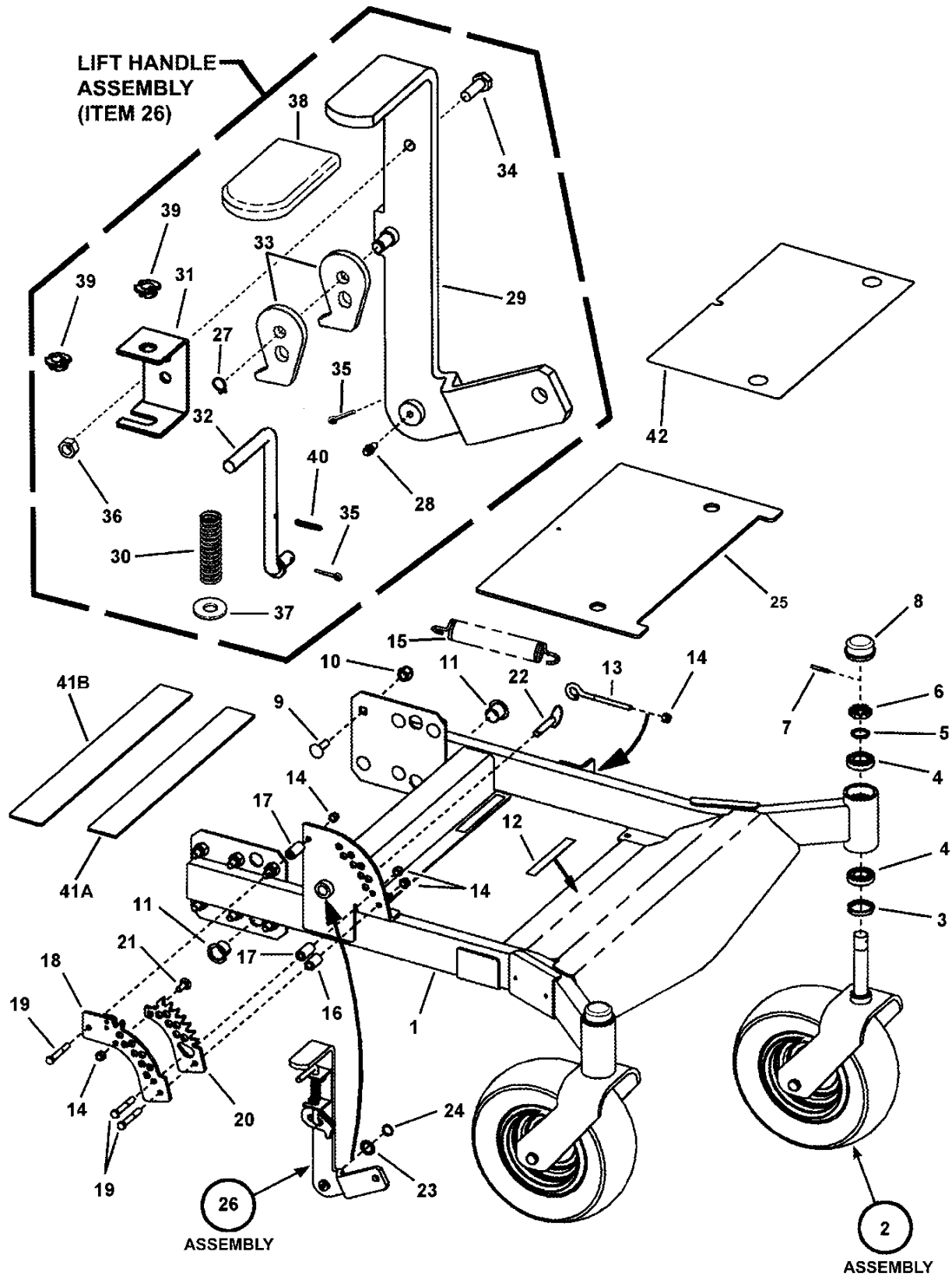
## **DRIVE TIRE & WHEEL ASSEMBLY**

---

| <b>Item</b> | <b>Part No</b> | <b>Qty</b> | <b>Description</b>                                   | <b>Note</b>                            |
|-------------|----------------|------------|--|--|
| 1A          | 7072796        | 2          | ASSEMBLY, 23" Rear Tire & Rim (Incl. Items 2, 3 & 4) | <i>used on 52"</i>                     |
| 1B          | 7072797        | 2          | ASSEMBLY, 24" Rear Tire & Rim (Incl. Items 2, 3 & 4) | <i>used on 61"</i>                     |
| 2           | 7100298        | --         | TIRE, 24 x 12.00 - 12 HHS 49R (Carlisle)             |  |
| 3           | 7100297        | --         | RIM, 12" Diameter x 8.50"                            |  |
| 4           | 7012234        | --         | VALVE, Air   |  |
| 5           | 7092073        | 10         | NUT, 1/2-20NF Lug                                    |  |
| 6           | 7071819        | 2          | DRUM, Brake (Ausco)                                  |  |
| 7           | 7091793        | --         | PIN, 9/64 x 1-1/2" Cotter                            | <i>included as part of wheel motor</i> |
| 8           | 7013861        | --         | KEY, #11 Woodruff                                    | <i>included as part of wheel motor</i> |
| 9           | 7091828        | --         | NUT, 3/4-20 Slotted Hex                              | <i>included as part of wheel motor</i> |

### **Footnotes:**

**FRONT FRAME ASSEMBLY (Frame)**



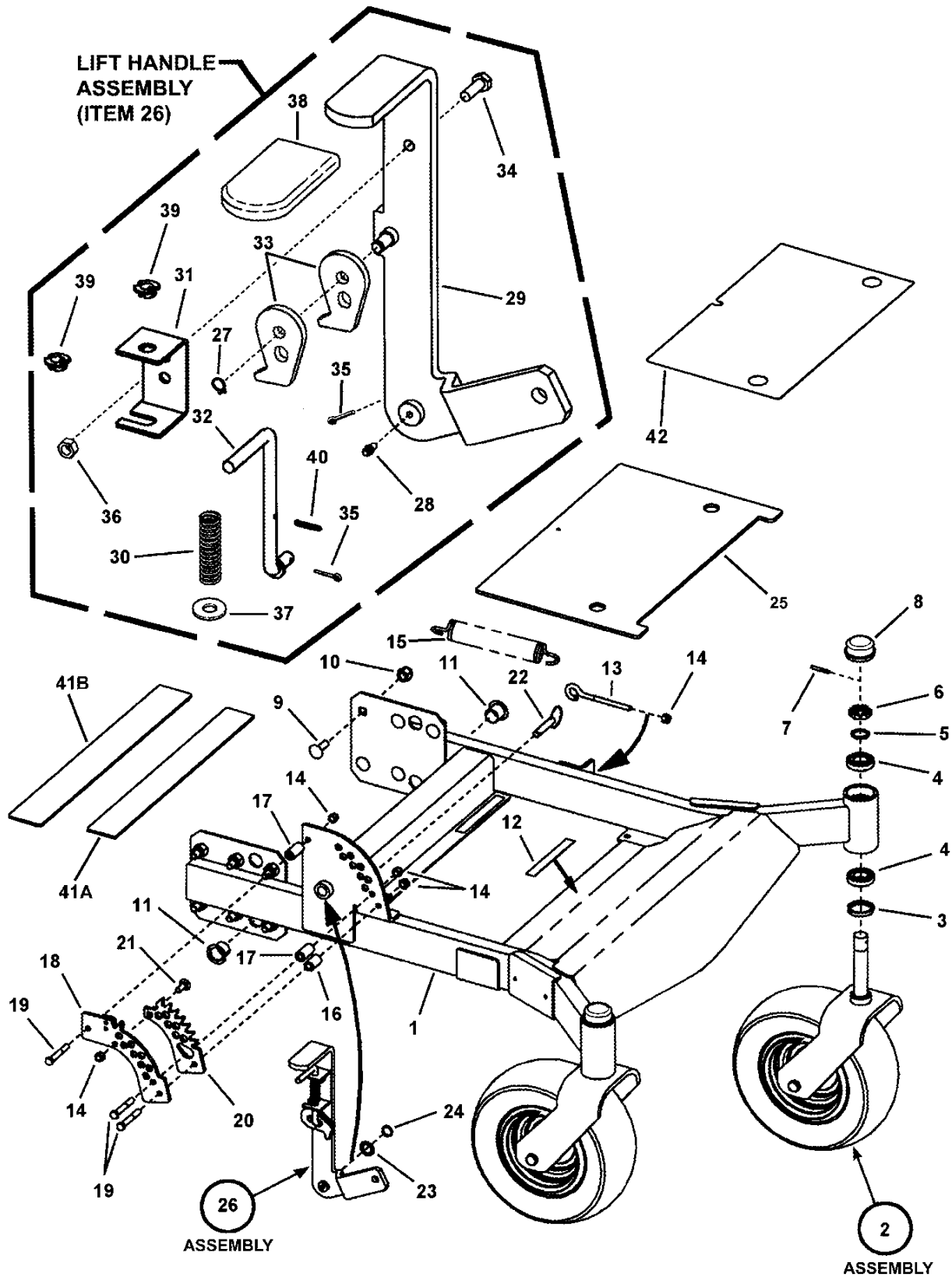


## FRONT FRAME ASSEMBLY (Frame)

| Item | Part No | Qty | Description   | Note   |
|------|---------|-----|---|--|
| 1    | 7044821 | 1   | WELDMENT, Front Frame                               |  |
| 2    |         | 2   | GROUP, Front Wheel (see Caster Wheel Assembly Page) |  |
| 3    | 7074723 | 2   | GREASE SEAL   |  |
| 4    | 7058554 | 4   | BEARING, Tapered Roller                             | <i>comprised of 7074706 (tapered roller brg.) and 7074707 (inner race)</i> |
| 5    | 7029137 | 2   | SPACER, Jackstaff                                   |  |
| 6    | 7092083 | 2   | CASTLE NUT, 1-1/ UNF, GR B                          |  |
| 7    | 7090841 | 2   | ROLL PIN, 3/16 x 1-1/2"                             |  |
| 8    | 7074537 | 2   | CAP, Dust   |  |
| 9    | 7090768 | 12  | BOLT, 1/2-13 x 1-1/2" Square Neck Carriage, GR 5    |  |
| 10   | 7091325 | 12  | NUT, 1/2-13 Hex Nyloc                               |  |
| 11   | 7073326 | 2   | BUSHING, Teflon                                     |  |
| 12   | 7041818 | 3   | PAD, Floor Pan                                      |  |
| 13   | 7044860 | 1   | EYEBOLT, 3/8-16 x 3"                                |  |
| 14   | 7091299 | 5   | NUT, 3/8-16 Hex Nyloc                               |  |
| 15   | 7035667 | 1   | SPRING, Extension, Lift Assist                      |  |
| 16   | 7074777 | 1   | SPACER, Lift Adjust (1.08" Long)                    |  |
| 17   | 7074580 | 2   | SPACER, Lift Adjust (1.43" Long)                    |  |
| 18   | 7058446 | 1   | WELDMENT, Height Adjust                             |  |
| 19   | 7091501 | 3   | SCREW, 3/8-16 x 2-1/2" Hex Head Cap, GR 5           |  |
| 20   | 7074657 | 1   | BRACKET, Deck Lift Detent                           |  |
| 21   | 7091640 | 1   | BOLT, 3/8-16 x 1" Square Neck Carriage, GR 5        |  |
| 22   | 7074716 | 1   | CLIP, Roll Pin, 1/2"                                |  |
| 23   | 7010935 | 1   | WASHER, .77 I.D. Flat                               |  |
| 24   | 7010746 | 1   | RING, 3/4" External Retaining                       |  |
| 25   | 7300100 | 1   | FLOORPAN  |  |
| 26   | 7058552 |     | ASSY, Deck Lift Handle (Incl. items 27 thru 40)     |  |
| 27   | 7012313 | 1   | RING, .375" Diameter External Retaining             |  |
| 28   | 7014669 | 1   | LUBE FITTING, 3/16"                                 | <i>or 7076998, 1/4-28 Straight Lube Fitting</i>                            |
| 29   | 7058901 | 1   | WELDMENT, Deck Lift Handle                          |  |
| 30   | 7072450 | 1   | SPRING, Neutral Return                              |  |
| 31   | 7074531 | 1   | BRACKET, Handle Support                             |  |
| 32   | 7074532 | 1   | ROD, Latch  |  |
| 33   | 7074533 | 2   | STOP, Latch   |  |
| 34   | 7090209 | 2   | SCREW, 5/16-18 x 1" Hex Head Cap, GR 2              |  |
| 35   | 7090555 | 2   | PIN, 3/32 x 1/2" Cotter                             |  |
| 36   | 7091067 | 2   | NUT, 5/16-18 Hex Center Lock                        |  |
| 37   | 7090122 | 1   | WASHER, 3/8" Flat SAE                               |  |

### Footnotes:

**FRONT FRAME ASSEMBLY (Frame)**



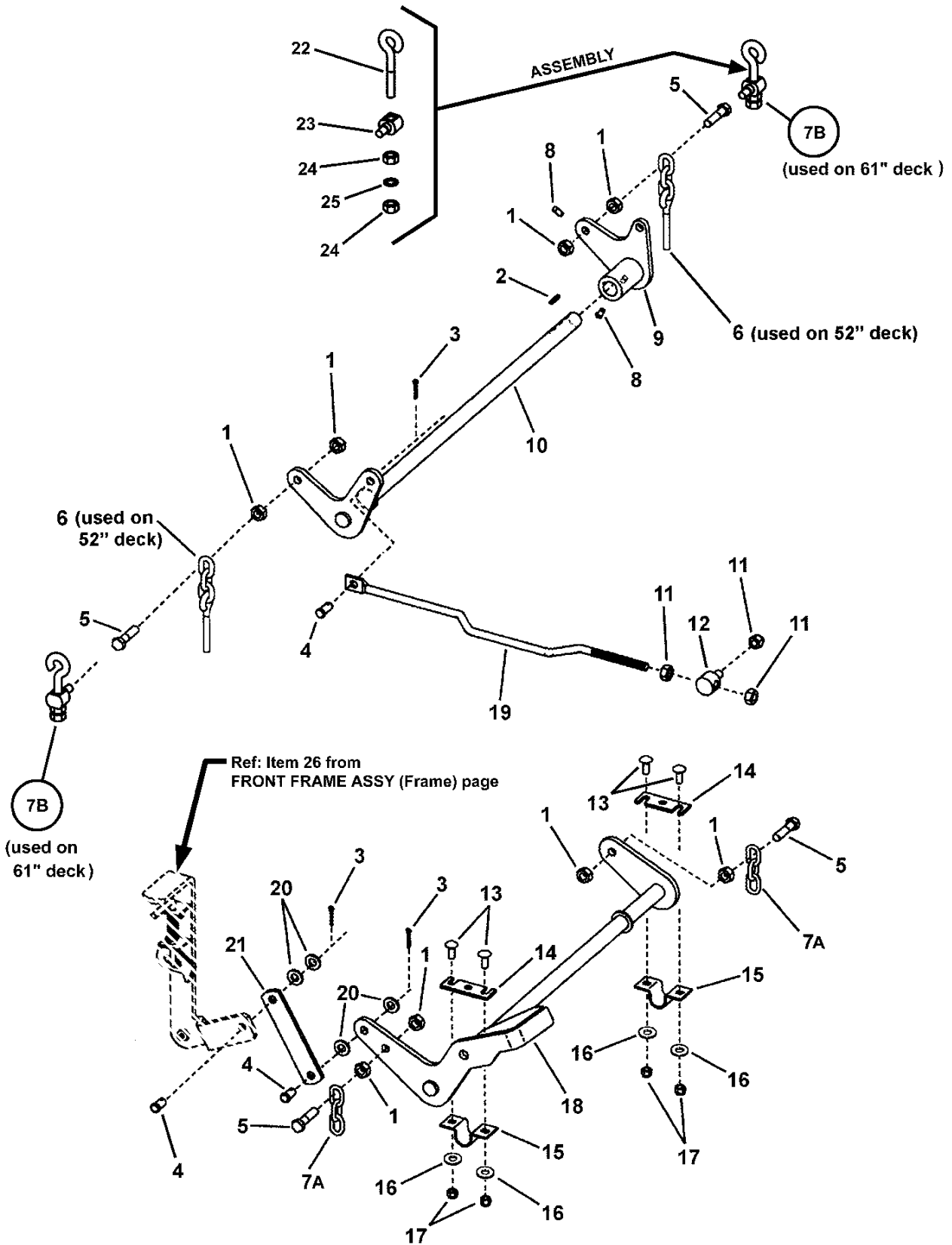
## **FRONT FRAME ASSEMBLY (Frame)**

---

| <b>Item</b> | <b>Part No</b> | <b>Qty</b> | <b>Description</b>            | <b>Note</b> |
|-------------|----------------|------------|-------------------------------|-------------|
| 38          | 7075330        | 1          | COVER, Plastic                |             |
| 39          | 7012117        | 1          | BUSHING, 3/8" Plastic         |             |
| 40          | 7076986        | 1          | ROLLPIN, 1/8 x 7/8"           |             |
| 41A         | 7075027        | 1          | MAT, Footpan (22-11/16" long) |             |
| 41B         | 7100221        | 1          | MAT, Foot Pan (24-9/16" long) |             |
| 42          | 7100128        | 1          | MAT, Foot Pan                 |             |

**Footnotes:**

**FRONT FRAME ASSEMBLY (Deck Lift)**



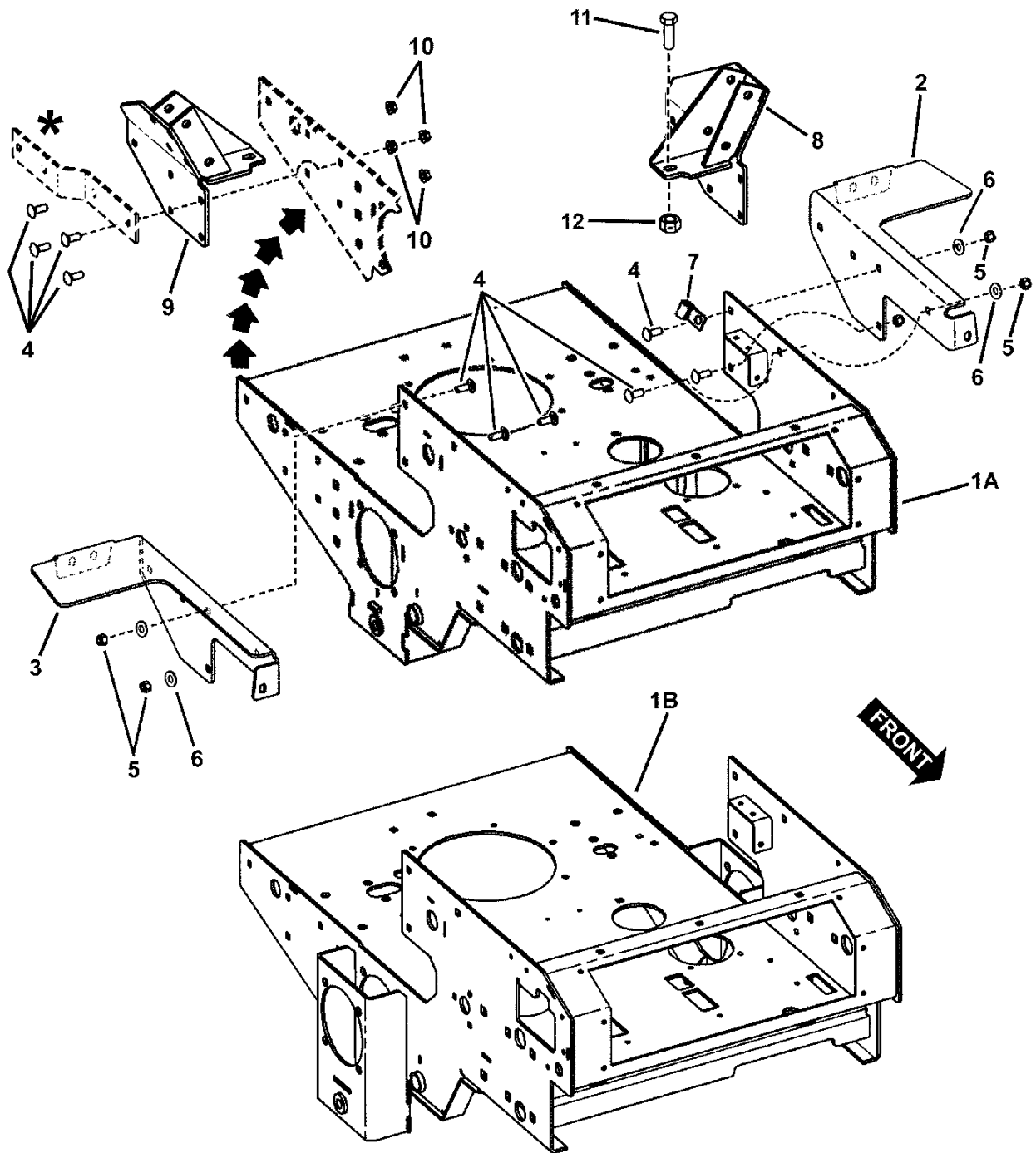
## **FRONT FRAME ASSEMBLY (Deck Lift)**

---

| <b>Item</b> | <b>Part No</b> | <b>Qty</b> | <b>Description</b>                              | <b>Note</b>                        |
|-------------|----------------|------------|---|------------------------------------|
| 1           | 7091544        | 12         | NUT, 1/2-13 Hex Flange GR 5                     |                                    |
| 2           | 7091803        | 1          | KEY, 3/16" Square x 1-1/2"                      |                                    |
| 3           | 7091516        | 3          | PIN, 5/32 x 1" Cotter                           |                                    |
| 4           | 7012802        | 3          | PIN, 1/2 x 1-1/8" Clevis                        |                                    |
| 5           | 7090543        | 6          | SCREW, 1/2-13 x 2" Hex Head Cap, GR 5           |                                    |
| 6           | 7053562        | 2          | ASSEMBLY, Chain & Eyebolt                       | <i>used on 52" Deck Model only</i> |
| 7A          | 7059173        | 2          | CHAIN, 3 Links                                  |                                    |
| 7B          | 7058590        | 2          | ASSEMBLY, Rear Linkage (incl. items 22 thru 25) | <i>used on 61" Deck</i>            |
| 8           | 7090848        | 2          | SET SCREW, 5/16-18 Square Head Cup Point        |                                    |
| 9           | 7058182        | 1          | WELDMENT, Bellcrank Lift                        |                                    |
| 10          | 7058148        | 1          | WELDMENT, Rear Lift                             |                                    |
| 11          | 7091894        | 5          | NUT, 1/2-13 Hex Center Lock, GR 5               |                                    |
| 12          | 7044858        | 1          | SWIVEL, Timing Rod (1/2-13 External Thread)     |                                    |
| 13          | 7091303        | 4          | BOLT, 5/16-18 x 1" Short Neck Carriage, GR 5    |                                    |
| 14          | 7044870        | 2          | SHIM PLATE                                      |                                    |
| 15          | 7043803        | 2          | BRACKET, Deck Support                           |                                    |
| 16          | 7090188        | 4          | WASHER, 5/16" Flat                              |                                    |
| 17          | 7091298        | 4          | NUT, 5/16-18 Hex Nyloc                          |                                    |
| 18          | 7058181        | 1          | WELDMENT, Front Deck Lift                       |                                    |
| 19          | 7074579        | 1          | ROD, Timing (1/2-13 Thread)                     |                                    |
| 20          | 7091587        | 6          | WASHER, .531 I.D. Flat                          |                                    |
| 21          | 7074698        | 1          | LINK, Front                                     |                                    |
| 22          | 7075783        | 1          | ROD LINK (1/2-13 thread)                        |                                    |
| 23          | 7075782        | 1          | ROD SWIVEL (1/2-13 thread)                      |                                    |
| 24          | 7091316        | 2          | NUT, 1/2-13 Hex, GR B                           |                                    |
| 25          | 7090509        | 1          | WASHER, 1/2" Internal Tooth Lock                |                                    |

### **Footnotes:**

# REAR FRAME & TANK BRACKETS



\* REF: MUFFLER GUARD ASSEMBLY  
Item #2

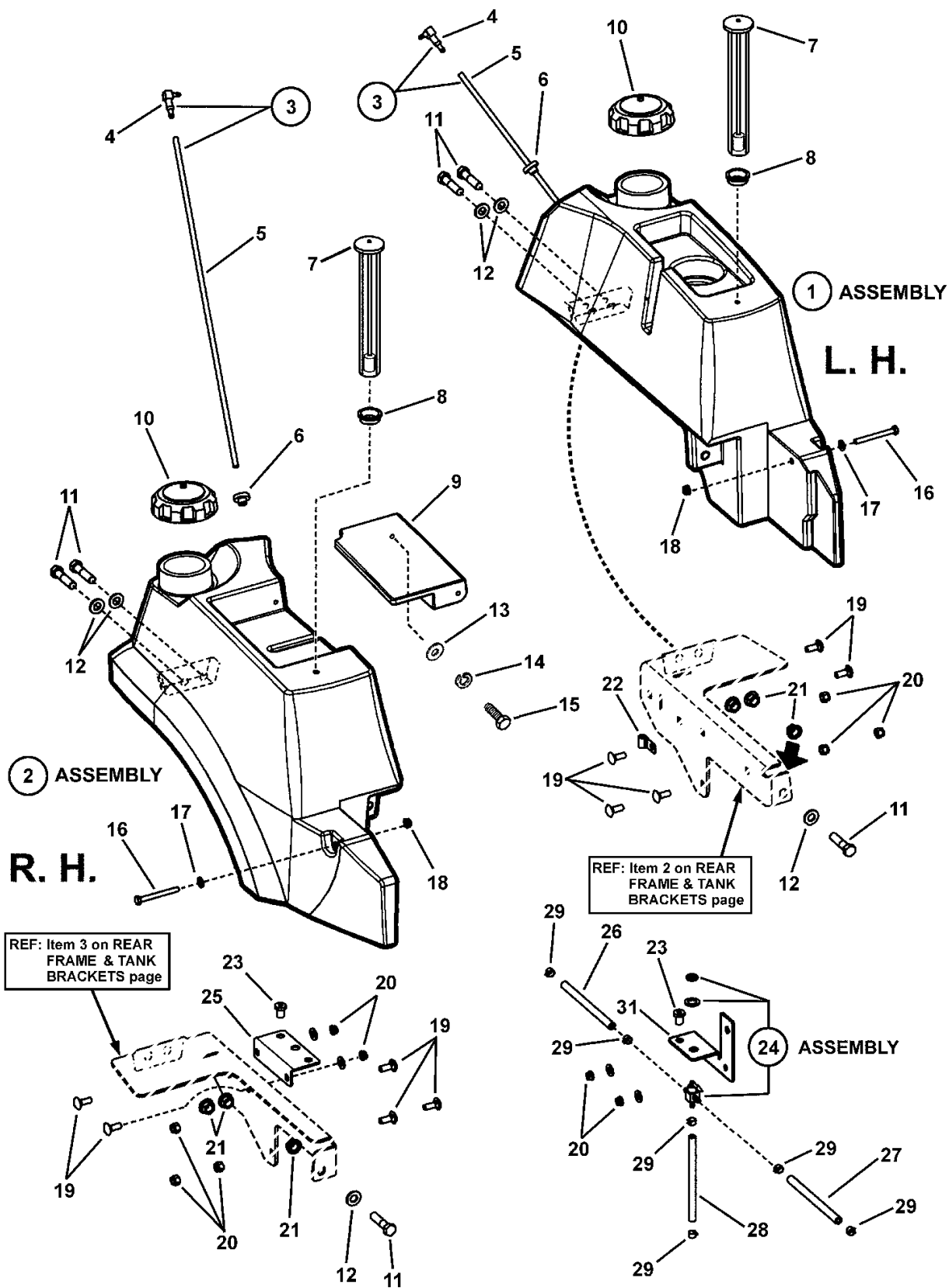
## REAR FRAME & TANK BRACKETS

---

| Item | Part No | Qty | Description                                 | Note  |
|------|---------|-----|---|---|
| 1A   | 7044846 | 1   | WELDMENT, Rear Frame (52" Deck)             |   |
| 1B   | 7044816 | 1   | WELDMENT, Rear Frame (61" Deck)             |   |
| 2    | 7053476 | 1   | WELDMENT, Left Hand Fuel Tank Bracket       |   |
| 3    | 7053518 | 1   | WELDMENT, Right Hand Fuel Tank Bracket      |   |
| 4    | 7091640 | 10  | BOLT, 3/8-16 x 1" Square Neck Carriage GR 5 |   |
| 5    | 7091299 | 10  | NUT, 3/8-16 Hex Nyloc                       |   |
| 6    | 7090122 | 4   | WASHER, 3/8" Flat                           |   |
| 7    | 7035638 | 5   | CLIP, Open 3/8" Cushioned                   |   |
| 8    | 7400080 | 1   | WELDMENT, Right Hand Socket                 | <i>see also on ROLL BAR<br/>PROTECTIVE STRUCTURE<br/>page</i> |
| 9    | 7400081 | 1   | WELDMENT, Left Hand Socket                  | <i>see also on ROLL BAR<br/>PROTECTIVE STRUCTURE<br/>page</i> |
| 10   | 7091619 | 10  | NUT, 3/8-16 Hex Flange Lock                 |   |
| 11   | 7091884 | 4   | SCREW, 1/2-13 x 1-1/2" Hex Head Cap         | <i>or 7090646 (1" long)</i>                                   |
| 12   | 7091894 | 4   | NUT, 1/2-13 Hex Center Lock, GR 5           | <i>or 7090975</i>   |

### Footnotes:

# FUEL TANK ASSEMBLY





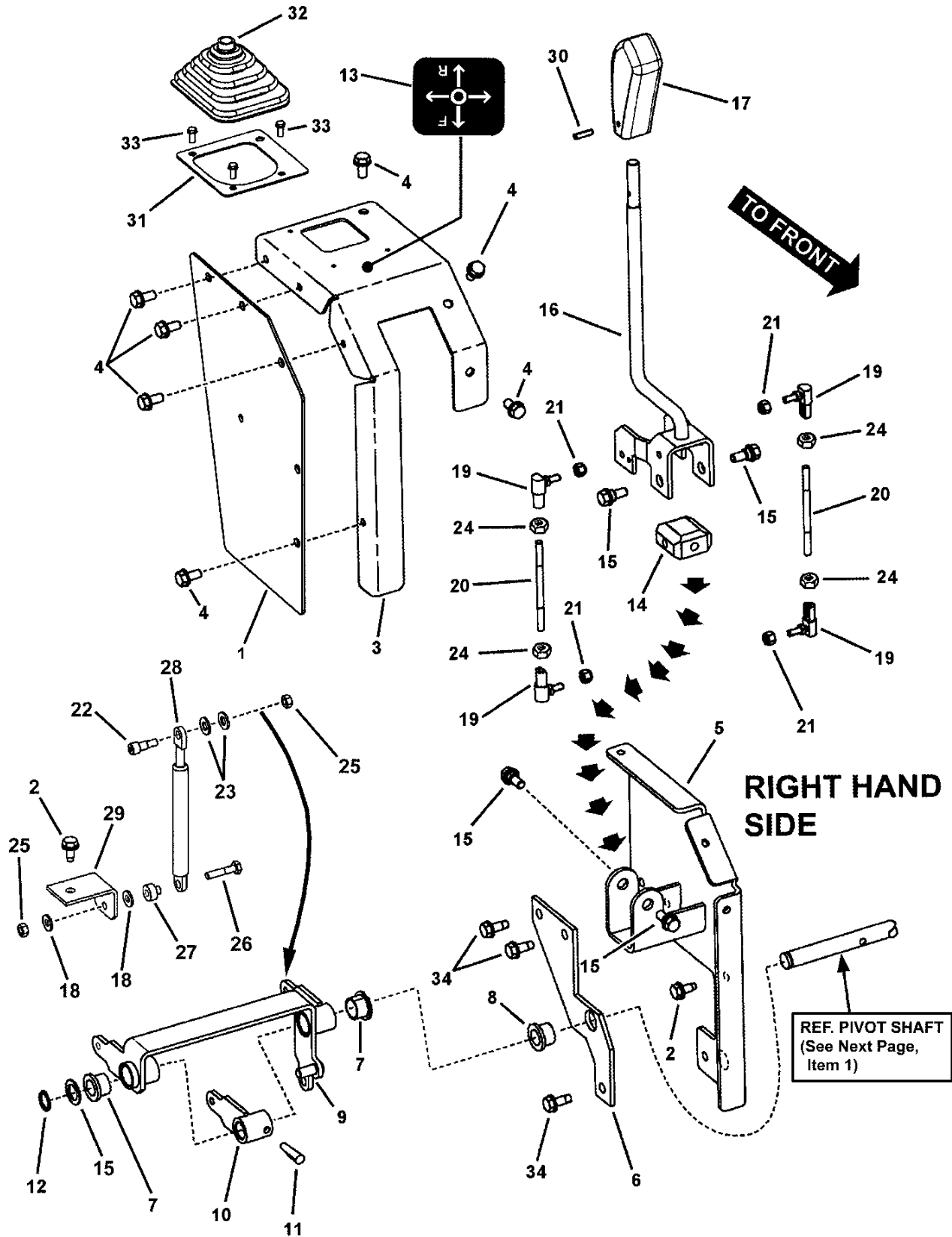
## FUEL TANK ASSEMBLY

---

| Item | Part No | Qty | Description                                  | Note   |
|------|---------|-----|--|--|
| 1    | 7024669 | 1   | ASSEMBLY, LH Fuel Tank                       | <i>includes: tank (7042924) plus items 3, 6, 7, 8 &amp; 10</i> |
| 2    | 7100217 | 1   | ASSEMBLY, RH Fuel Tank                       | <i>includes: tank (7042925) plus items 3, 6, 7, 9 &amp; 10</i> |
| 3    | 7046326 | 1   | ASSEMBLY, Fuel Pickup                        | <i>includes items 4 &amp; 5</i>                                |
| 4    | 7074835 | 1   | ELBOW, 90 Degree                             |  |
| 5    | 7046804 | 1   | TUBE, Pickup                                 |  |
| 6    | 7012337 | 1   | GROMMET, Tube                                | <i>Dapco p/n 10672</i>   |
| 7    | 7078165 | 1   | GAGE, Fuel                                   |  |
| 8    | 7011247 | 1   | GROMMET, Gage                                |  |
| 9    | 7100211 | 1   | LID, Fuel Tank                               |  |
| 10   | 7075135 | 1   | CAP, 3-1/2" Fuel                             | <i>Kelch p/n 201906</i>  |
| 11   | 7092089 | 6   | SCREW, 7/16-14 x 2" Hex Head Cap, GR 5       |  |
| 12   | 7090250 | 12  | WASHER, 1/2" Flat SAE                        |  |
| 13   | 7091294 | 2   | WASHER, 1/4" Flat                            |  |
| 14   | 7027223 | 2   | WASHER, 1/4" Split Lock                      |  |
| 15   | 7090825 | 2   | SCREW, 1/4-20 x 1-1/4" Hex Head Cap, GR 5    | <i>or 7091527</i>  |
| 16   | 7092088 | 2   | SCREW, 5/16-18 x 2-1/2" Hex Head Cap, GR 5   |  |
| 17   | 7090188 | 2   | WASHER, 5/16" Flat                           |  |
| 18   | 7091298 | 2   | NUT, 5/16-18 Hex Nyloc                       |  |
| 19   | 7091640 | 10  | BOLT, 3/8-16 x 1" Square Neck Carriage, GR 5 |  |
| 20   | 7091299 | 10  | NUT, 3/8-16 Hex Nyloc                        |  |
| 21   | 7091917 | 6   | NUT, 7/16-14 Hex Nyloc                       |  |
| 22   | 7035638 | 1   | CLIP, Open 3/8" Cushioned                    |  |
| 23   | 7091909 | 2   | WELL-NUT, 1/4-20 x 53/64                     | <i>also shown on SEAT ASSEMBLY page</i>                        |
| 24   | 7044681 | 1   | ASSEMBLY, 3-Way Fuel Valve                   |  |
| 25   | 7074687 | 1   | BRACKET, RH                                  |  |
| 26   | 7074689 | 1   | HOSE, 1/4" I.D. x 1'-8" Long Fuel (L.H.)     |  |
| 27   | 7074688 | 1   | HOSE, 1/4" I.D. x 3'-7.5" Long Fuel (R.H.)   |  |
| 28   | 7075717 | 1   | HOSE, 1/4" I.D. x 1'-9" Long Fuel            |  |
| 29   | 7012222 | 6   | CLAMP, Fuel Hose                             |  |
| 30   | 7012080 | 5   | CABLE TIE, 7" Long (not shown)               |  |
| 31   | 7300139 | 1   | BRACKET, Seat Beal, LH                       | <i>see also on ROLL BAR PROTECTIVE STRUCTURE page</i>          |

### Footnotes:

**JOYSTICK CONTROL ASSEMBLY (R. H. Side)**

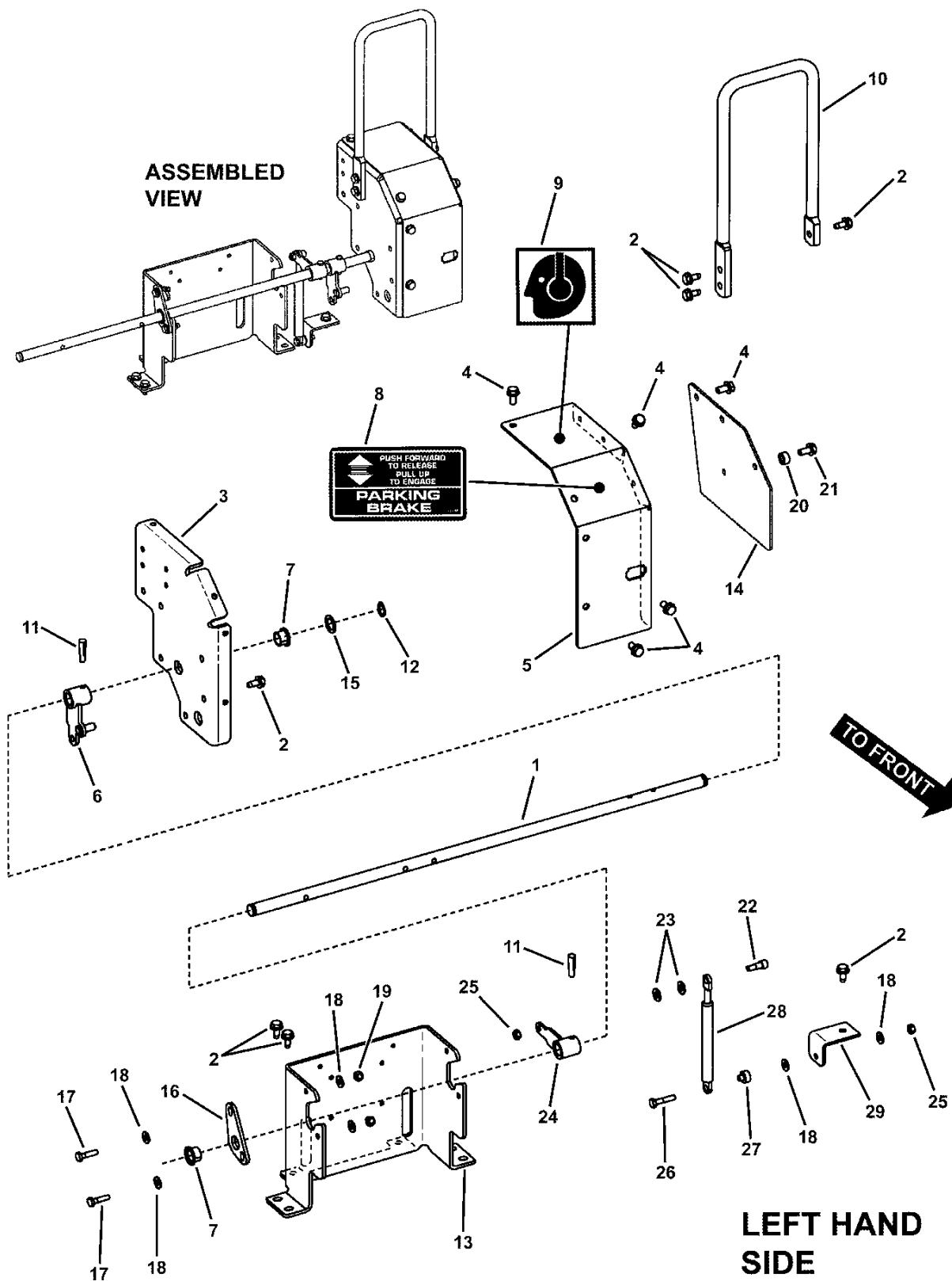


## JOYSTICK CONTROL ASSEMBLY (R. H. Side)

| Item | Part No | Qty | Description   | Note  |
|------|---------|-----|---|---|
| 1    | 7043207 | 1   | COVER, Right Hand Outside                             |   |
| 2    | 7090361 | 2   | SCREW, 5/16-18 x 5/8" Hex Washer Self-Tap             | see also item 2, next page                                      |
| 3    | 7075270 | 1   | LIMITER BRACKET, Right Hand                           |   |
| 4    | 7091867 | 7   | SCREW, 5/16-18 x 5/8" Hex Washer Self-Tap Yellow Zinc | see also item 4, next page                                      |
| 5    | 7053994 | 1   | WELDMENT, Side Plate Right Hand                       |   |
| 6    | 7075287 | 1   | BRACKET, Shaft Support                                |   |
| 7    | 7072934 | 2   | BUSHING, Teflon Impregnated                           | see also item 7, next page                                      |
| 8    | 7013874 | 1   | BUSHING 5/8 x 5/8" Bronze                             |   |
| 9    | 7053995 | 1   | WELDMENT, Joystick Pivot                              |   |
| 10   | 7054002 | 1   | WELDMENT, Bellcrank                                   |   |
| 11   | 7092091 | 2   | GROOVE PIN, 1/4 x 1-1/4"                              | see also item 11, next page                                     |
| 12   | 7010739 | 1   | RING, 5/8" External Retaining                         | see also item 12, next page                                     |
| 13   | 7075641 | 1   | DECAL, Lever Control                                  | see also Decal Page   |
| 14   | 7035533 | 1   | PIVOT, Joystick Control                               |   |
| 15   | 7091800 | 4   | SHOULDER BOLT, 5/16-18 thread                         | was 7015761   |
| 16   | 7059073 | 1   | WELDMENT, Joystick Handle                             | 7059126, Joystick Control Assy,<br>includes items 14-17 & 30.   |
| 17   | 7023656 | 1   | LEVER, Shift Handle (Grip)                            |   |
| 18   | 7091294 | 4   | WASHER, .28 x .63 x .06 Flat                          | see also item 18, next page                                     |
| 19   | 7015753 | 4   | BALL JOINT, 1/4-28                                    |   |
| 20   | 7035909 | 2   | THREADED ROD, 1/4-28 x 3.85 long                      |   |
| 21   | 7091812 | 4   | NUT, 1/4-28 Hex Nyloc                                 |   |
| 22   | 7092010 | 1   | SHOULDER BOLT, 1/4-20 thread                          | shoulder: 5/16 Dia. x 3/8" long;<br>see also item 22, next page |
| 23   | 7090188 | 2   | WASHER, .34 x .69 x .08 Flat                          | see also item 23, next page                                     |
| 24   | 7090095 | 4   | NUT, 1/4-28 Hex                                       | or 7091605  |
| 25   | 7090372 | 2   | NUT, 1/4-20 Hex Center Lock                           | see also item 25, next page                                     |
| 26   | 7091814 | 1   | SCREW, 1/4-20 x 1-1/4" Hex Head Cap                   | see also item 26, next page                                     |
| 27   | 7075026 | 1   | SPACER, Twin Stick                                    | see also item 27, next page                                     |
| 28   | 7075746 | 1   | DAMPENER, Hydraulic                                   | see also item 28, next page                                     |
| 29   | 7074672 | 1   | BRACKET, Dampener                                     | see also item 29, next page                                     |
| 30   | 7090844 | 1   | ROLL PIN, 3/16 x 3/4"                                 |   |
| 31   | 7075636 | 1   | BRACKET, Rubber Boot                                  |   |
| 32   | 7035936 | 1   | BOOT, Joystick, Rubber                                |   |
| 33   | 7090913 | 3   | SCREW, #10-24 x 1/2" Hex Washer Self-Tap (Torx)       |   |
| 34   | 7090793 | 3   | SCREW, 5/16-18 x 3/4" Hex Washer Self-Tap             |   |

### Footnotes:

# JOYSTICK CONTROL ASSEMBLY (L. H. Side)

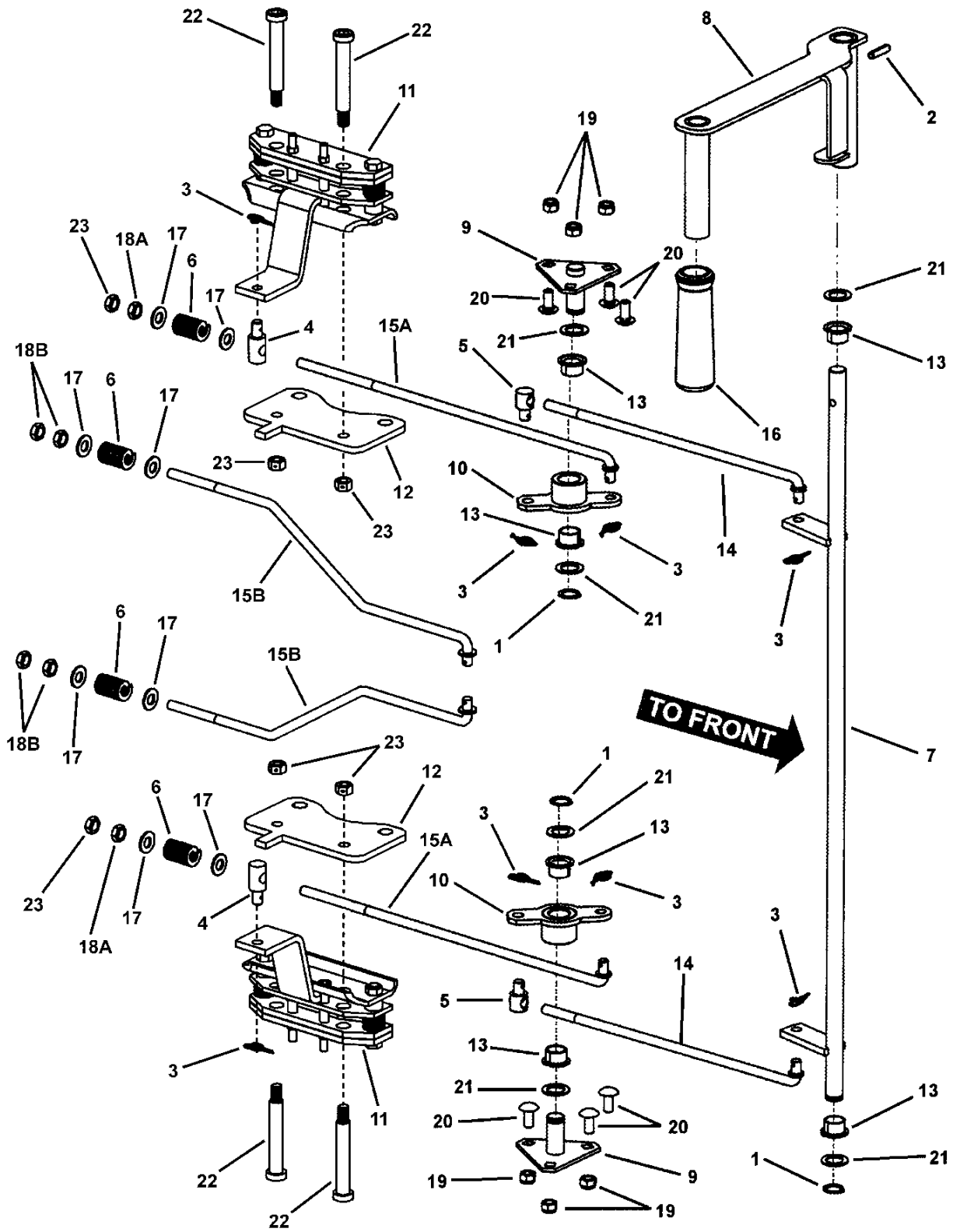


## JOYSTICK CONTROL ASSEMBLY (L. H. Side)

| Item | Part No | Qty | Description   | Note                                   |
|------|---------|-----|---|--|
| 1    | 7075265 | 1   | SHAFT, Pivot  |  |
| 2    | 7090361 | 13  | SCREW, 5/16-18 x 5/8" Hex Washer Self-Tap             |  |
| 3    | 7075267 | 1   | MOUNT, Bearing, Left Hand                             |  |
| 4    | 7091867 | 5   | SCREW, 5/16-18 x 5/8" Hex Washer Self-Tap Yellow Zinc |  |
| 5    | 7075268 | 1   | LIMITER BRACKET, Left Hand                            |  |
| 6    | 7053998 | 1   | WELDMENT, Bellcrank                                   |  |
| 7    | 7072934 | 2   | BUSHING, Teflon Impregnated                           |  |
| 8    | 7075040 | 1   | DECAL, Parking Brake                                  | <i>see also Decal Page</i>             |
| 9    | 7027733 | 1   | DECAL, Ear Protection                                 | <i>see also Decal Page</i>             |
| 10   | 7075654 | 1   | HANDLE, Support                                       |  |
| 11   | 7092091 | 2   | GROOVE PIN, 1/4 x 1-1/4"                              |  |
| 12   | 7010739 | 1   | RING, 5/8" External Retaining                         |  |
| 13   | 7075264 | 1   | CHANNEL, Joystick Mounting                            |  |
| 14   | 7043214 | 1   | COVER, Left Hand Outside                              |  |
| 15   | 7091628 | 7   | WASHER, 5/8" Flat                                     |  |
| 16   | 7075761 | 1   | BRACKET, Bearing Support                              |  |
| 17   | 7090548 | 2   | SCREW, 1/4-20 x 1" Hex Head Cap, GR 5                 |  |
| 18   | 7091294 | 4   | WASHER, .28 x .63 x .06 Flat                          |  |
| 19   | 7091603 | 2   | NUT, 1/4-20 Hex Nyloc                                 |  |
| 20   | 7028620 | 3   | SPACER, .340 I.D. x .63 O.D. x .310 Thick             |  |
| 21   | 7091541 | 2   | SCREW, 5/16-18 x 3/4" Hex Washer Self-Tap             | <i>or 7090793</i>                      |
| 22   | 7092010 | 1   | SHOULDER BOLT, 1/4-20 thread                          | <i>shoulder: 5/16 Dia. x 3/8" long</i> |
| 23   | 7090188 | 2   | WASHER, .34 x .69 x .08 Flat                          |  |
| 24   | 7059171 | 2   | BELLCRANK, Dampener (weldment)                        |  |
| 25   | 7090372 | 2   | NUT, 1/4-20 Hex Center Lock                           |  |
| 26   | 7091814 | 1   | SCREW, 1/4-20 x 1-1/4" Hex Head Cap                   |  |
| 27   | 7075026 | 1   | SPACER, Twin Stick                                    |  |
| 28   | 7075746 | 1   | DAMPENER, Hydraulic                                   |  |
| 29   | 7074672 | 1   | BRACKET, Dampener                                     |  |

### Footnotes:

# PARKING BRAKE ASSEMBLY



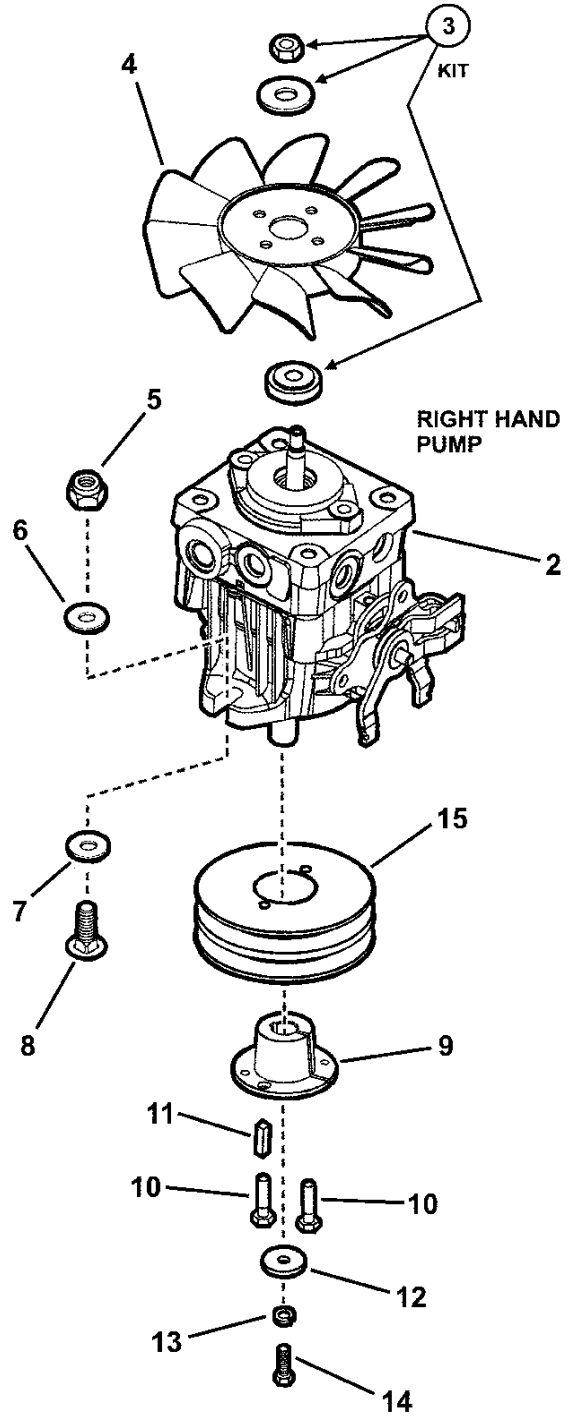
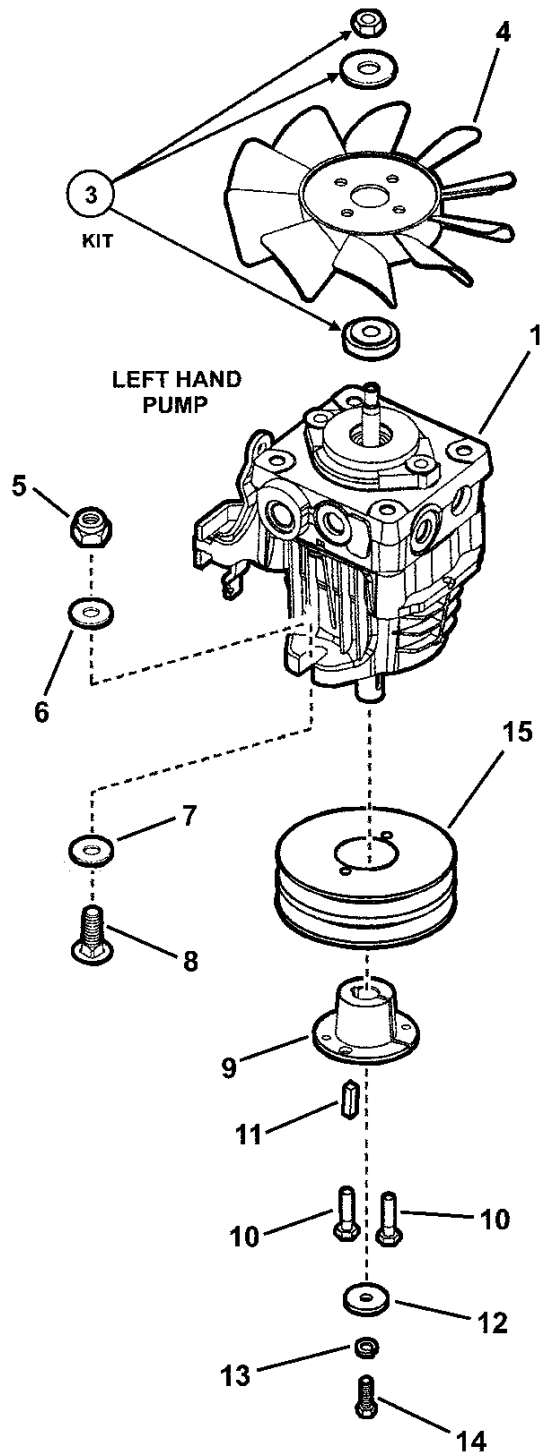
## **PARKING BRAKE ASSEMBLY**

---

| <b>Item</b> | <b>Part No</b> | <b>Qty</b> | <b>Description</b>                             | <b>Note</b>                 |
|-------------|----------------|------------|--|-----------------------------|
| 1           | 7010739        | 3          | RING, 5/8" External Retaining                  |                             |
| 2           | 7092091        | 1          | GROOVE PIN, 1/4 x 1-1/4" long                  |                             |
| 3           | 7024159        | 8          | PIN, 3/8" Self Locking Cotter                  | <i>or 7091593</i>           |
| 4           | 7011231        | 2          | SWIVEL, 3/8" Thru Hole, Special                |                             |
| 5           | 7046451        | 2          | SWIVEL, 3/8-24 Adjustment                      |                             |
| 6           | 7046782        | 2          | SPRING, Rectangular Wire Die, Blue             |                             |
| 7           | 7054043        | 1          | WELDMENT, Park Brake Crossrod                  |                             |
| 8           | 7059085        | 1          | WELDMENT, Park Brake Handle                    |                             |
| 9           | 7059086        | 2          | WELDMENT, Brake Linkage Pivot                  |                             |
| 10          | 7059087        | 2          | WELDMENT, Brake Linkage Bellcrank              |                             |
| 11          | 7071820        | 2          | ASSEMBLY, Brake                                | <i>Ausco p/n CC 83022</i>   |
| 12          | 7041140        | 2          | BRACKET, Brake Mounting                        |                             |
| 13          | 7072934        | 6          | BUSHING, Teflon Impregnated                    |                             |
| 14          | 7073989        | 2          | FRONT LINKAGE, Park Brake (3/8-24 thread)      |                             |
| 15A         | 7073990        | 2          | REAR LINKAGE, Park Brake (3/8-24 thread)       | <i>52" Deck Models only</i> |
| 15B         | 7072094        | 2          | ROD, Brake Rear (3/8-16 thread)                | <i>61" Deck Models only</i> |
| 16          | 7074196        | 1          | GRIP, Parking Brake                            |                             |
| 17          | 7090122        | 2          | WASHER, 3/8" SAE Flat                          |                             |
| 18A         | 7090482        | 2          | NUT, 3/8-24, Hex Jam, GR 5 or B                |                             |
| 18B         | 7090665        | 4          | NUT, 3/8-16, Hex Jam, GR 5 or B                |                             |
| 19          | 7091298        | 6          | NUT, 5/16-18 Hex Nyloc                         |                             |
| 20          | 7091508        | 6          | BOLT, 5/16-18 x 3/4" Short Neck Carriage, GR 5 |                             |
| 21          | 7091628        | 6          | WASHER, .64 I.D. x .99 O.D. x .05 Flat         |                             |
| 22          | 7041148        | 4          | SHOULDER BOLT, 3/8-16 Hex Socket Head          |                             |
| 23          | 7091518        | 2          | NUT, 3/8-24 Hex Nyloc                          |                             |

### **Footnotes:**

**HYDRO PUMP ASSEMBLIES**





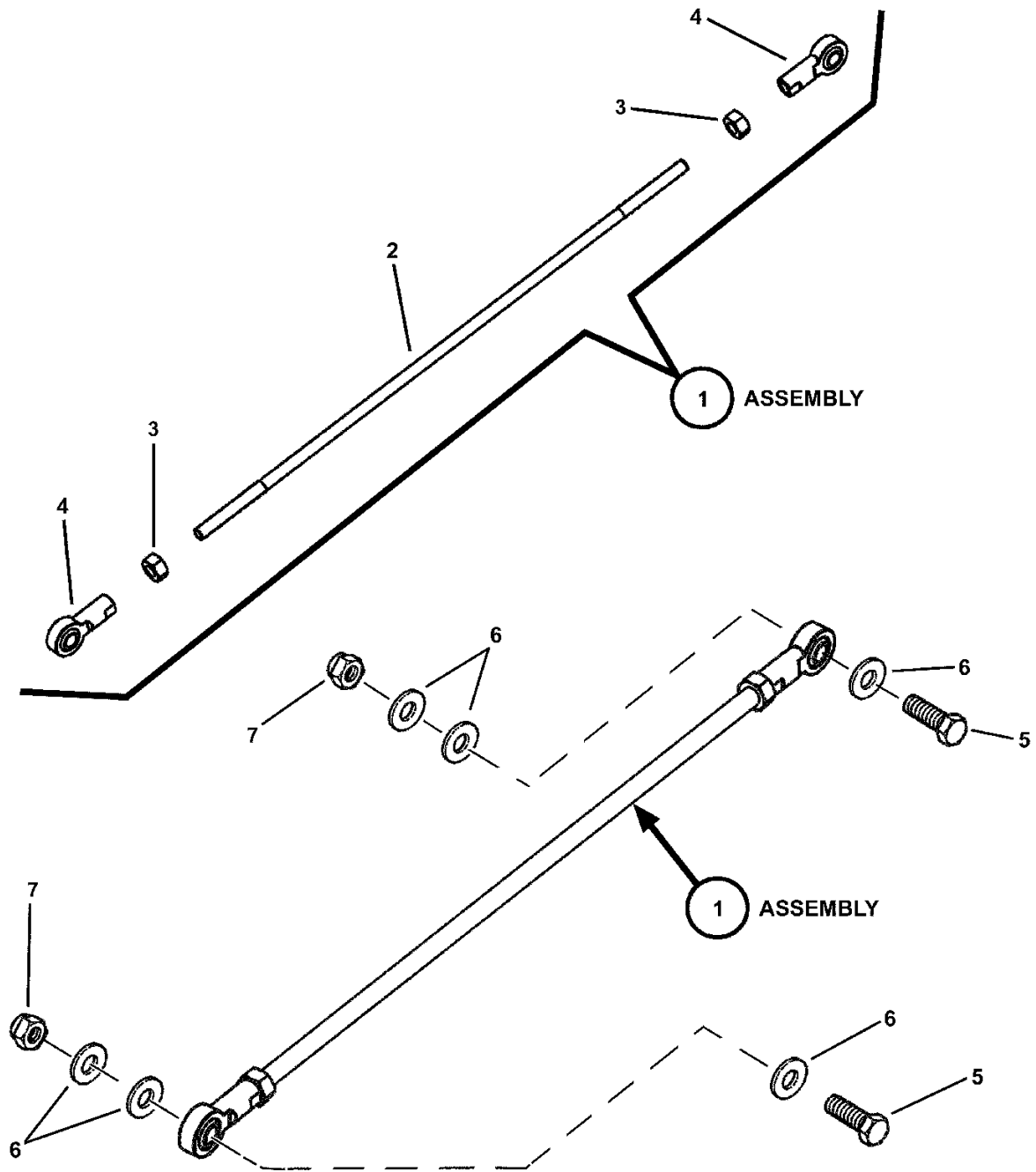
## HYDRO PUMP ASSEMBLIES

---

| Item | Part No   | Qty | Description  | Note  |
|------|-----------|-----|--|---|
| 1    | 7075647   | 1   | PUMP, Hydro-Gear (BDP-10A-334) Left Hand                             |   |
| 2    | 7075648   | 1   | PUMP, Hydro-Gear (BDP-10A-457) Right Hand                            |   |
| 3    | 7074738   | 2   | HUB KIT for BDP-10A Pump w/Thru Shaft (Incl. 1 ea. of 3 items below) | <i>(Hydro Gear p/n 7070632 for BDP-10A Pump w/thru shaft)</i> |
|      | 7074738_A |     | HUB, Fan Mount   |   |
|      | 7074738_B |     | WASHER, Belleville, Fan Mount  |   |
|      | 7074738_C |     | NUT, Hex Nyloc   |   |
| 4    | 7074968   | 2   | FAN, 7" Nylon, Counter-Clockwise                                     |   |
| 5    | 7091299   | 4   | NUT, 3/8-16 Hex Nyloc  |   |
| 6    | 7090122   | 4   | WASHER, 3/8" Flat  |   |
| 7    | 7013847   | 4   | RETAINER, 3/8" Bolt  |   |
| 8    | 7027181   | 4   | BOLT, 3/8-16 x 1-1/4" Short Neck Carriage GR 5                       |   |
| 9    | 7071831   | 2   | PULLEY, "D" Bushing x 15mm Bore                                      |   |
| 10   | 7090548   | 2   | SCREW, 1/4-20 x 1" Hex Head Cap, GR 5                                |   |
| 11   | 7027199   | 2   | KEY, M5 x M20  |   |
| 12   | 7091627   | 2   | WASHER, .281 x 1.00 x .125 Flat                                      |   |
| 13   | 7027223   | 2   | WASHER, 1/4" Split Lock  |   |
| 14   | 7091835   | 2   | SCREW, M6 1.0 x 12mm Hex Head Cap                                    |   |
| 15   | 7041330   | 2   | PULLEY, 4.25 O.D. x 1.375 OA x "H" Tapered Bore                      |   |

### Footnotes:

# HYDRO PUMP LINKAGE



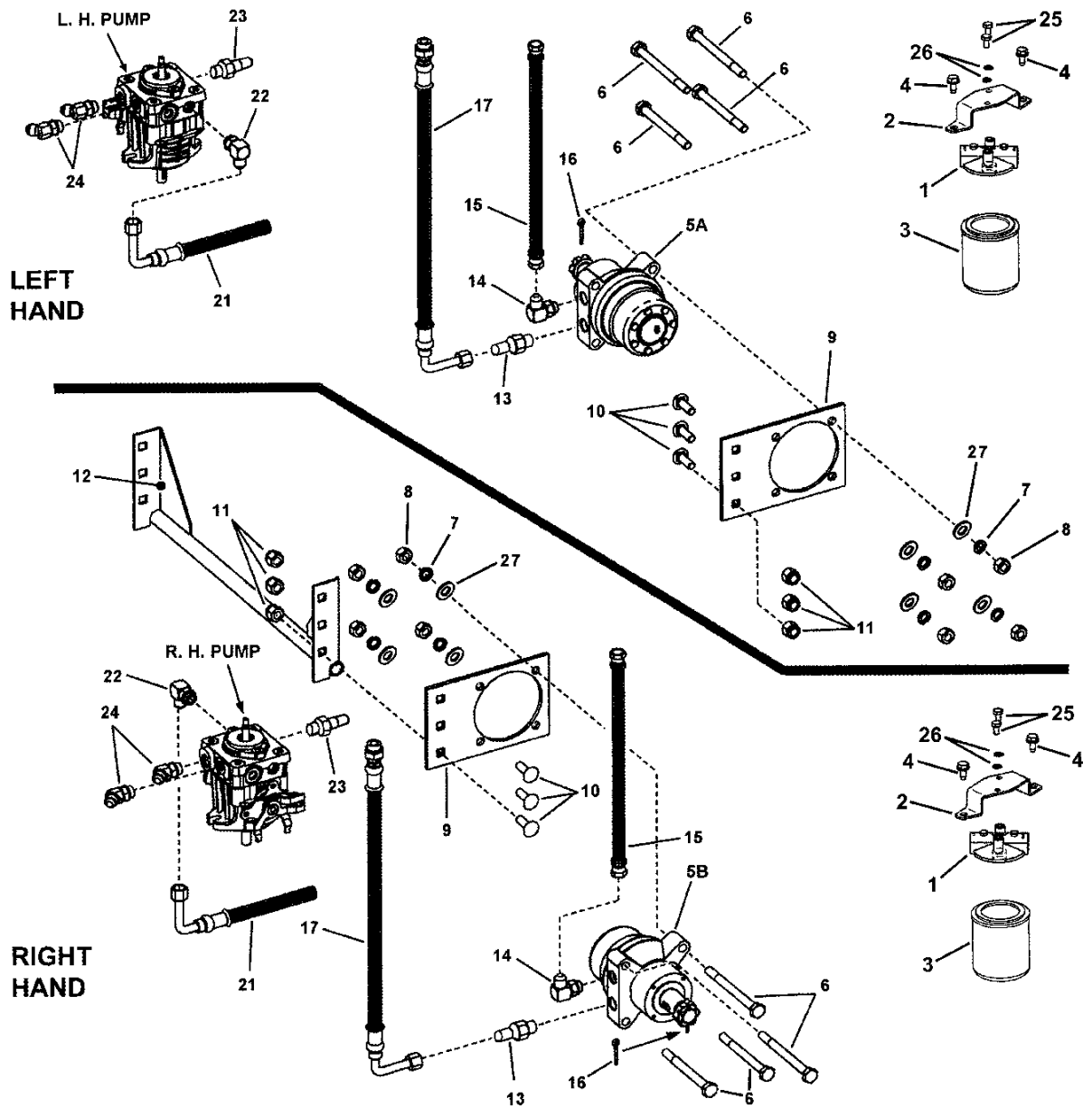
## HYDRO PUMP LINKAGE

---

| Item | Part No | Qty | Description  | Note       |
|------|---------|-----|--|------------|
| 1    | 7059118 | 2   | ASSY, Pump Control Linkage (Incl. 3 items below)       |            |
| 2    | 7073995 | 1   | LINKAGE ROD, Pump Control (5/16-24 threads, both ends) |            |
| 3    | 7091297 | 2   | NUT, 5/16-24 Hex GR 5 (2 per assembly)                 |            |
| 4    | 7027139 | 2   | LINKAGE (2 per assembly)                               |            |
| 5    | 7091527 | 4   | SCREW, 5/16-18 x 1-1/4" Hex Head Cap GR 5              | or 7090825 |
| 6    | 7090188 | 12  | WASHER, 5/16" Flat                                     |            |
| 7    | 7091298 | 4   | NUT, 5/16-18-3B Hex Nyloc                              |            |

### Footnotes:

# HOSE ASSEMBLY (52" Deck)



## HOSE ASSEMBLY (52" Deck)

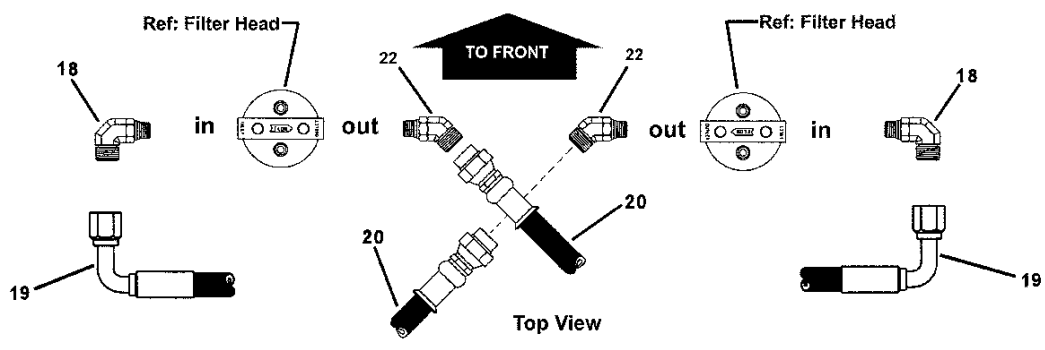
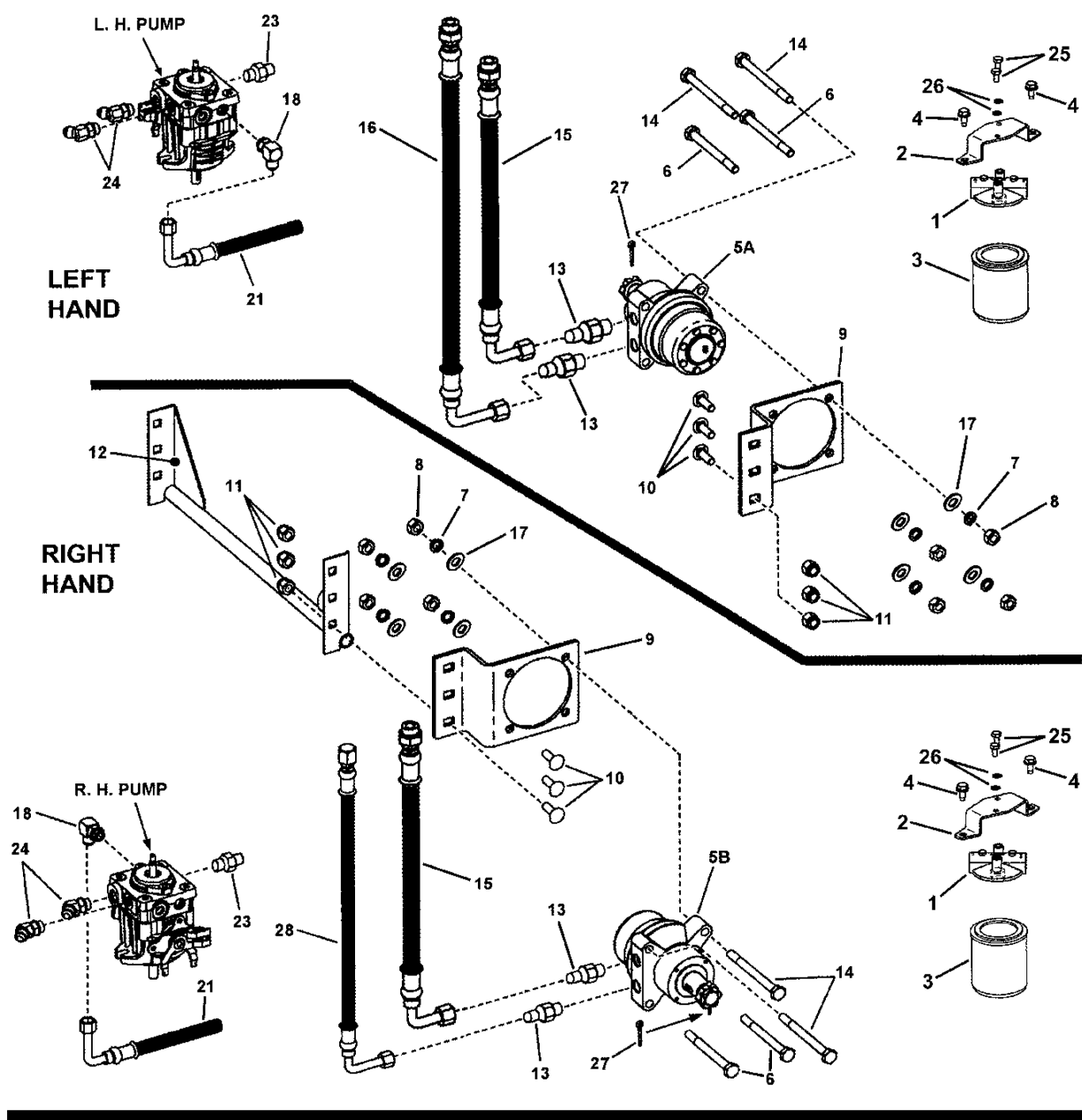
| Item | Part No | Qty | Description  | Note  |
|------|---------|-----|--|---|
| 1    | 5023096 | 2   | FILTER HEAD  |   |
| 2    | 7075919 | 2   | BRACKET, Filter  |   |
| 3    | 1719168 | 2   | FILTER   |   |
| 4    | 7090361 | 4   | SCREW, 5/16-18 x 5/8" Hex Washer Self-Tap                |   |
| 5A   | 7075637 | 1   | MOTOR, Hydraulic, Left Hand                              | <i>Includes Castle Nut &amp; #502 Woodruff Key, 5/16 x 1"</i> |
| 5B   | 7075638 | 1   | MOTOR, Hydraulic, Right Hand                             | <i>Includes Castle Nut &amp; #502 Woodruff Key, 5/16 x 1"</i> |
| 6    | 7092087 | 8   | BOLT, 1/2-13 x 6" Hex Head Cap GR 5                      |   |
| 7    | 7091322 | 8   | WASHER, 1/2" Split Lock                                  |   |
| 8    | 7091316 | 8   | NUT, 1/2-13 Hex GR B                                     |   |
| 9    | 7073996 | 2   | MOUNTING PLATE, Hydro Motor                              |   |
| 10   | 7090768 | 6   | BOLT, 1/2-13 x 1-1/2" Square Neck Carriage, GR 5         |   |
| 11   | 7091325 | 6   | NUT, 1/2-13 Hex Nyloc                                    |   |
| 12   | 7059091 | 1   | WELDMENT, Rear Crossbrace                                |   |
| 13   | 7075058 | 2   | CONNECTOR, Straight Hydraulic (Parker # 8-10 F5OLO-S)    |   |
| 14   | 7075059 | 2   | CONNECTOR, 90-Degree Hydraulic (Parker # 8-10 C5OLO-S)   |   |
| 15   | 7075049 | 2   | HOSE, 13-3/4" Hydraulic (Parker # F436BKJJC080808-13-75) |   |
| 16   | 7090297 | 2   | COTTER PIN, 1/8 x 1-1/2"                                 |   |
| 17   | 7075051 | 2   | HOSE, 17-1/2" Hydraulic (Parker # F436BKJJC5080808-17.5) |   |
| 18   | 7041247 | 2   | CONNECTOR, 45-Degree Hydraulic (Parker #8-6 V 50L0-S)    |   |
| 19   | 7075052 | 2   | HOSE, 18-1/2" (Parker R836BKJJC9090808-18.5)             |   |
| 20   | 7075053 | 2   | HOSE, 12-1/4" (Parker # R836BKJ9NR080008-12.5)           |   |
| 21   | 7075054 | 2   | HOSE, 6-1/2" (Parker # R836BKJ9NR080008-6.5)             |   |
| 22   | 7075056 | 4   | CONNECTOR, 90-Degree Hydraulic (Parker # 8-6 C5OLO-S)    |   |
| 23   | 7075057 | 2   | CONNECTOR, Straight Hydraulic (Parker # 8-6 F5OLO-S)     |   |
| 24   | 7075055 | 4   | CONNECTOR, 45-Degree Hydraulic (Parker # V5OLO-S)        |   |
| 25   | 7090071 | 4   | SCREW, 1/4-20 x 1/2" Hex Head Cap, GR 5                  |   |
| 26   | 7090052 | 4   | WASHER, 1/4" Split Lock                                  |   |
| 27   | 7091587 | 8   | WASHER, .531 I.D. Flat                                   |   |

### Footnotes:

NOTE: Order 7059172 for Hose and Connector Kit for 48" & 52" Deck.

NOTE: Order 7075604 for Hose and Connector Kit for 61" Deck.

# HOSE ASSEMBLY (61" Deck)



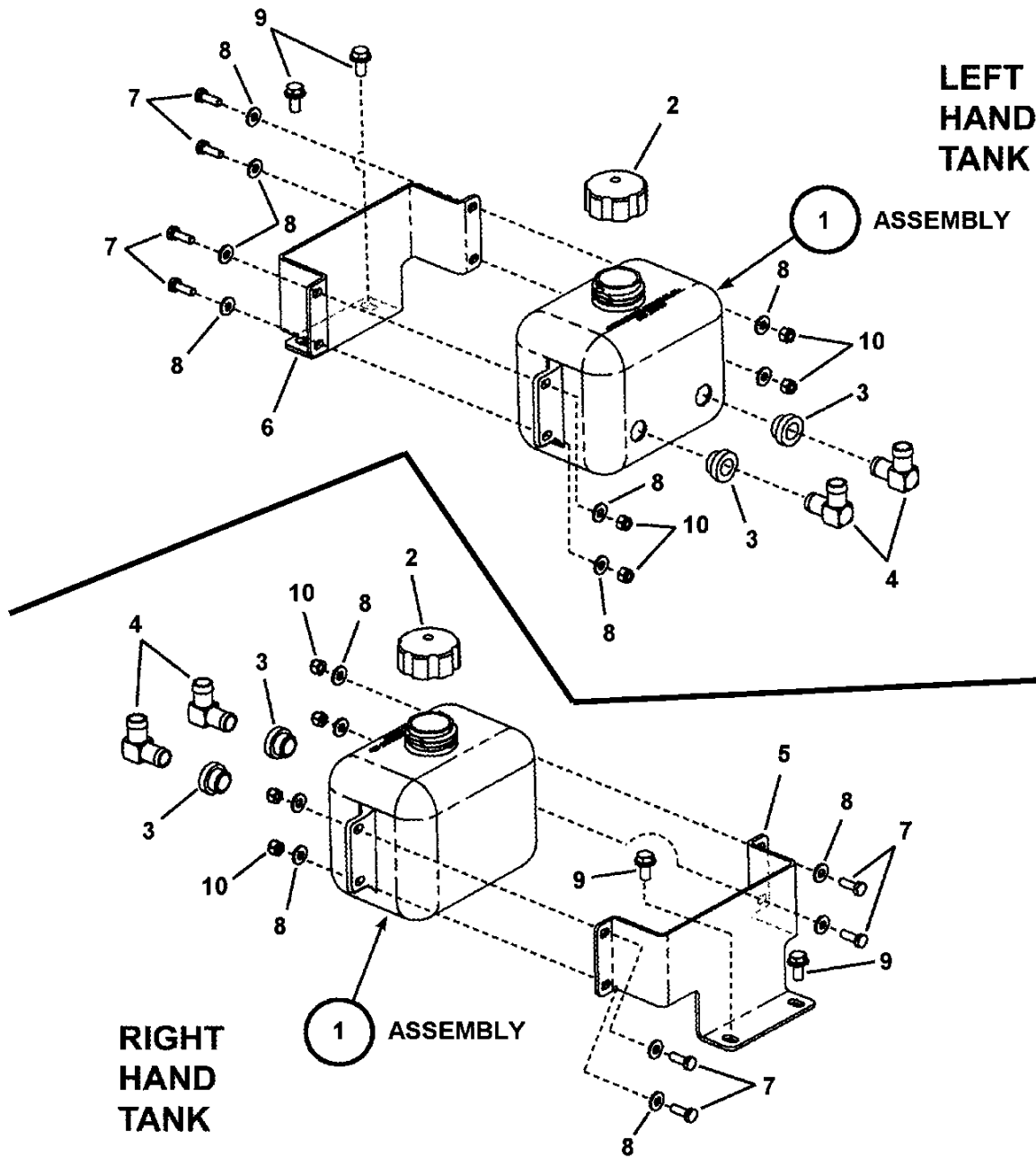
## HOSE ASSEMBLY (61" Deck)

| Item | Part No | Qty | Description  | Note  |
|------|---------|-----|--|---|
| 1    | 5023096 | 2   | FILTER HEAD  |   |
| 2    | 7075919 | 2   | BRACKET, Filter  |   |
| 3    | 1719168 | 2   | FILTER   |   |
| 4    | 7090361 | 4   | SCREW, 5/16-18 x 5/8" Hex Washer Self-Tap                |   |
| 5A   | 7075637 | 1   | MOTOR, Hydraulic, Left Hand                              | <i>Includes Castle Nut &amp; #502 Woodruff Key, 5/16 x 1"</i> |
| 5B   | 7075638 | 1   | MOTOR, Hydraulic, Right Hand                             | <i>Includes Castle Nut &amp; #502 Woodruff Key, 5/16 x 1"</i> |
| 6    | 7092087 | 4   | BOLT, 1/2-13 x 6" Hex Head Cap, GR 5                     |   |
| 7    | 7091322 | 8   | WASHER, 1/2" Split Lock                                  |   |
| 8    | 7091316 | 8   | NUT, 1/2-13 Hex GR B                                     |   |
| 9    | 7075443 | 2   | PLATE, Mounting  |   |
| 10   | 7090768 | 6   | BOLT, 1/2-13 x 1-1/2" Square Neck Carriage, GR 5         |   |
| 11   | 7091325 | 6   | NUT, 1/2-13 Hex Nyloc                                    |   |
| 12   | 7059091 | 1   | WELDMENT, Rear Crossbrace                                |   |
| 13   | 7075058 | 4   | CONNECTOR, Straight Hydraulic (Parker # 8-10 F5OLO-S)    |   |
| 14   | 7029355 | 4   | BOLT, 1/2-13 x 3-3/4" Hex Head Cap                       |   |
| 15   | 7075470 | 2   | HOSE, 15-1/2" Hydraulic (Parker # F436JCJ9080808-15.50)  |   |
| 16   | 7075051 | 1   | HOSE, 17-1/2" Hydraulic (Parker # F436BKJCJ5080808-17.5) |   |
| 17   | 7091587 | 8   | WASHER, .531 I.D. Flat                                   |   |
| 18   | 7075056 | 4   | CONNECTOR, 90-Degree Hydraulic (Parker # 8-6 C5OLO-S)    |   |
| 19   | 7075052 | 2   | HOSE, 18-1/2" (Parker # R836BKJCJ9090808-18.5)           |   |
| 20   | 7075053 | 2   | HOSE, 12-1/4" (Parker # R836BKJ9NR080008-12.5)           |   |
| 21   | 7075054 | 2   | HOSE, 6-1/2" (Parker # R836BKJ9NR080008-6.5)             |   |
| 22   | 7041247 | 2   | CONNECTOR, 45-Degree Hydraulic (Parker #8-6 V 50LO-S)    |   |
| 23   | 7075057 | 2   | CONNECTOR, Straight Hydraulic (Parker # 8-6 F5OLO-S)     |   |
| 24   | 7075055 | 4   | CONNECTOR, 45-Degree Hydraulic (Parker # V5OLO-S)        |   |
| 25   | 7090071 | 4   | SCREW, 1/4-20 x 1/2" Hex Head Cap, GR 5                  |   |
| 26   | 7090052 | 4   | WASHER, 1/4" Split Lock                                  |   |
| 27   | 7090297 | 2   | PIN, 1/8 x 1-1/2" Cotter                                 | <i>or 7091809, 1-1/4" long</i>                                |
| 28   | 7075050 | 1   | HOSE, 19-1/2" (Parker # F436BKJCJ5080808)                |   |

### Footnotes:

NOTE: Order 7075604 for Hose and Connector Kit for 61" Deck.

# HYDRO RESERVOIR ASSEMBLY





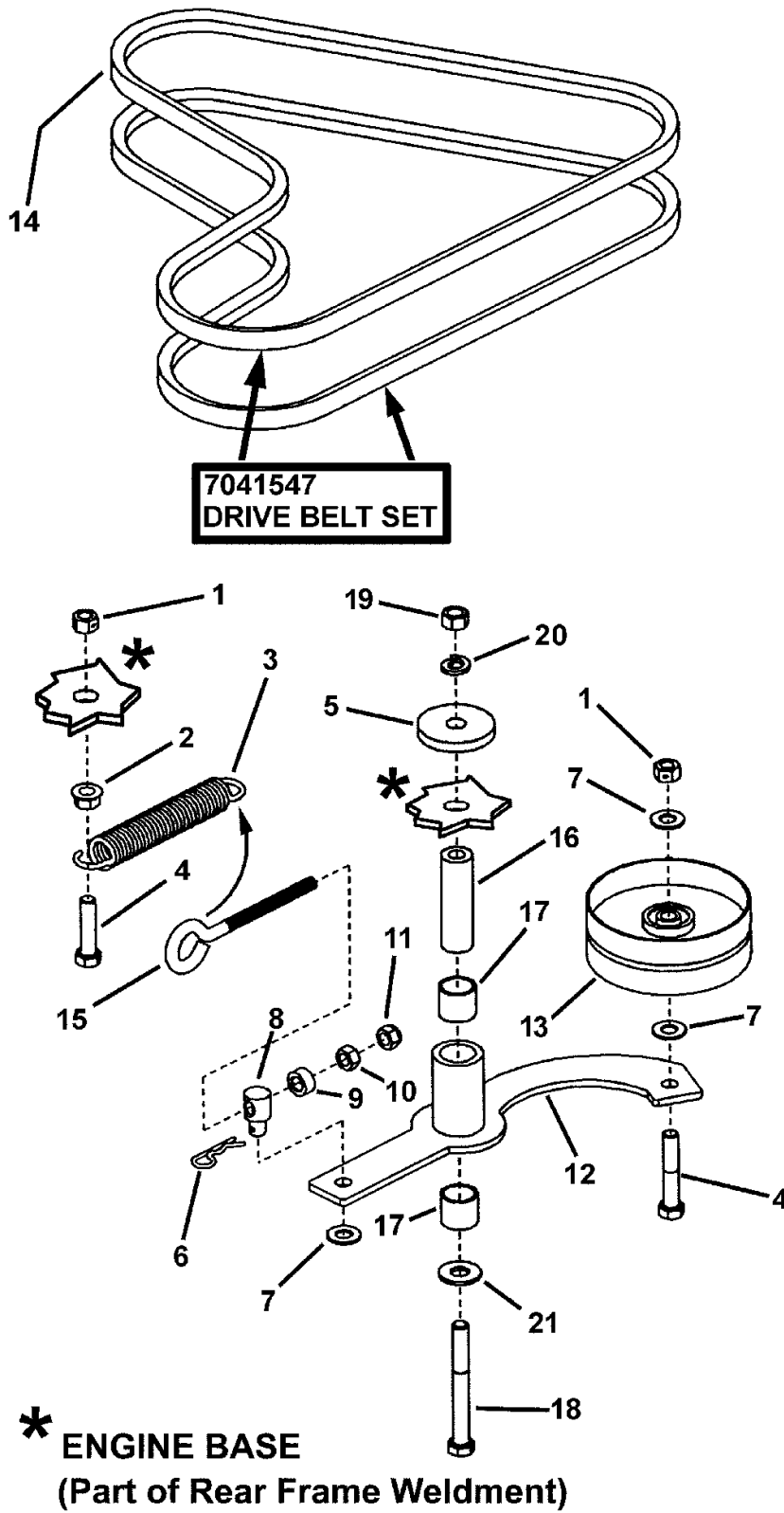
## HYDRO RESERVOIR ASSEMBLY

---

| Item | Part No | Qty | Description  | Note                        |
|------|---------|-----|--|-----------------------------|
| 1    | 7059088 | 2   | ASSY, Hydraulic Tank (Incl. tank, p/n 7074002 & 3 items shown below) |                             |
| 2    | 7075289 | 1   | CAP, Vented  | <i>Kelch p/n H4550D</i>     |
| 3    | 7075687 | 2   | GROMMET (Dapco #12078)   | <i>was Snapper #7012337</i> |
| 4    | 7073238 | 2   | FITTING, #8 Elbox (Dapco #12183)                                     |                             |
| 5    | 7073999 | 1   | BRACKET, R.H. Hydro Tank Mount                                       |                             |
| 6    | 7074001 | 1   | BRACKET, L.H. Hydro Tank Mount                                       |                             |
| 7    | 7090548 | 8   | SCREW, 1/4-20 x 1" Hex Head Cap, GR 5 (or 7027230)                   |                             |
| 8    | 7091294 | 16  | WASHER, 1/4" Flat  |                             |
| 9    | 7090361 | 4   | SCREW, 5/16-18 x 5/8" Hex Washer Self-Tap                            |                             |
| 10   | 7091603 | 8   | NUT, 1/4-20 Hex Nyloc  |                             |
| 11   | 7012080 | 5   | CABLE TIE, 7" Long   | <i>not shown</i>            |

### Footnotes:

# HYDRO IDLER ASSEMBLY



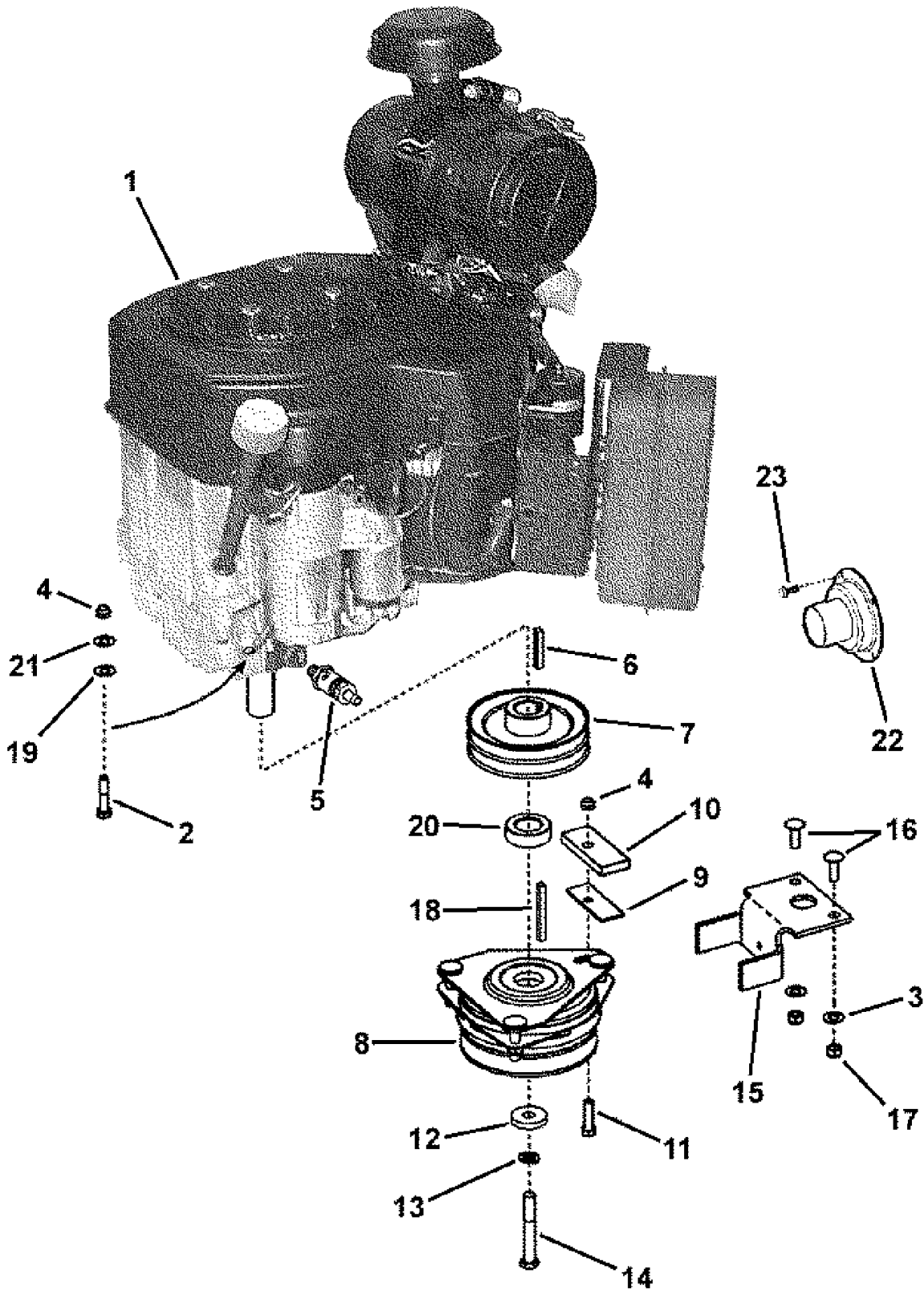
## HYDRO IDLER ASSEMBLY

---

| Item | Part No | Qty | Description   | Note   |
|------|---------|-----|---|--|
| 1    | 7091585 | 2   | NUT, 3/8-16 Hex Center Lock                           |  |
| 2    | 7091619 | 1   | NUT, 3/8-16 Hex Flange Lock                           |  |
| 3    | 7073992 | 1   | SPRING, Extension                                     |  |
| 4    | 7091497 | 2   | SCREW, 3/8-16 x 1-1/2" Hex Head Cap, GR 5             |  |
| 5    | 7075082 | 1   | WASHER, .468 x 1.85 x .25                             |  |
| 6    | 7091503 | 1   | HAIR PIN, 3/32 x 1-1/2"                               |  |
| 7    | 7090122 | 3   | WASHER, 3/8" Flat SAE                                 |  |
| 8    | 7075078 | 1   | SWIVEL, Adjustable                                    |  |
| 9    | 7028620 | 1   | SPACER, .340 I.D. x .63 O.D. x .310 Thick             |  |
| 10   | 7091511 | 1   | NUT, 5/16-18 Hex, GR 5 or B                           |  |
| 11   | 7091298 | 1   | NUT, 5/16-18 Hex Nyloc                                |  |
| 12   | 7074440 | 1   | WELDMENT, Idler Arm                                   |  |
| 13   | 7041262 | 1   | PULLEY, 4" O.D. x .391 I.D. x 1.25 Backside Idler     |  |
| 14   | 7075109 | 1   | BELT, Hydro Drive (HA Section, 47.5 Effective Length) |  |
|      | 7041547 | 1   | SET, Matched Traction Drive Belts                     | <i>(Kit contains two belts (p/n 7075109)</i> |
| 15   | 7078063 | 1   | EYEBOLT, 5/16-18                                      | <i>may be used instead of 7075078</i>        |
| 16   | 1723806 | 1   | BOSS, Idler Arm Pivot                                 |  |
| 17   | 1723805 | 2   | SLEEVE BUSHING, 3/4" I.D.                             |  |
| 18   | 7027221 | 1   | BOLT, 3/8-16 x 3-1/2" Hex Head, GR 5                  |  |
| 19   | 7090130 | 1   | NUT, 3/8-16 Hex, GR 5 or B                            |  |
| 20   | 7090118 | 1   | WASHER, 3/8" Split Lock                               |  |
| 21   | 7090517 | 1   | WASHER, 3/8" Flat SAE                                 |  |

### Footnotes:

**ENGINE SUB-ASSEMBLY**



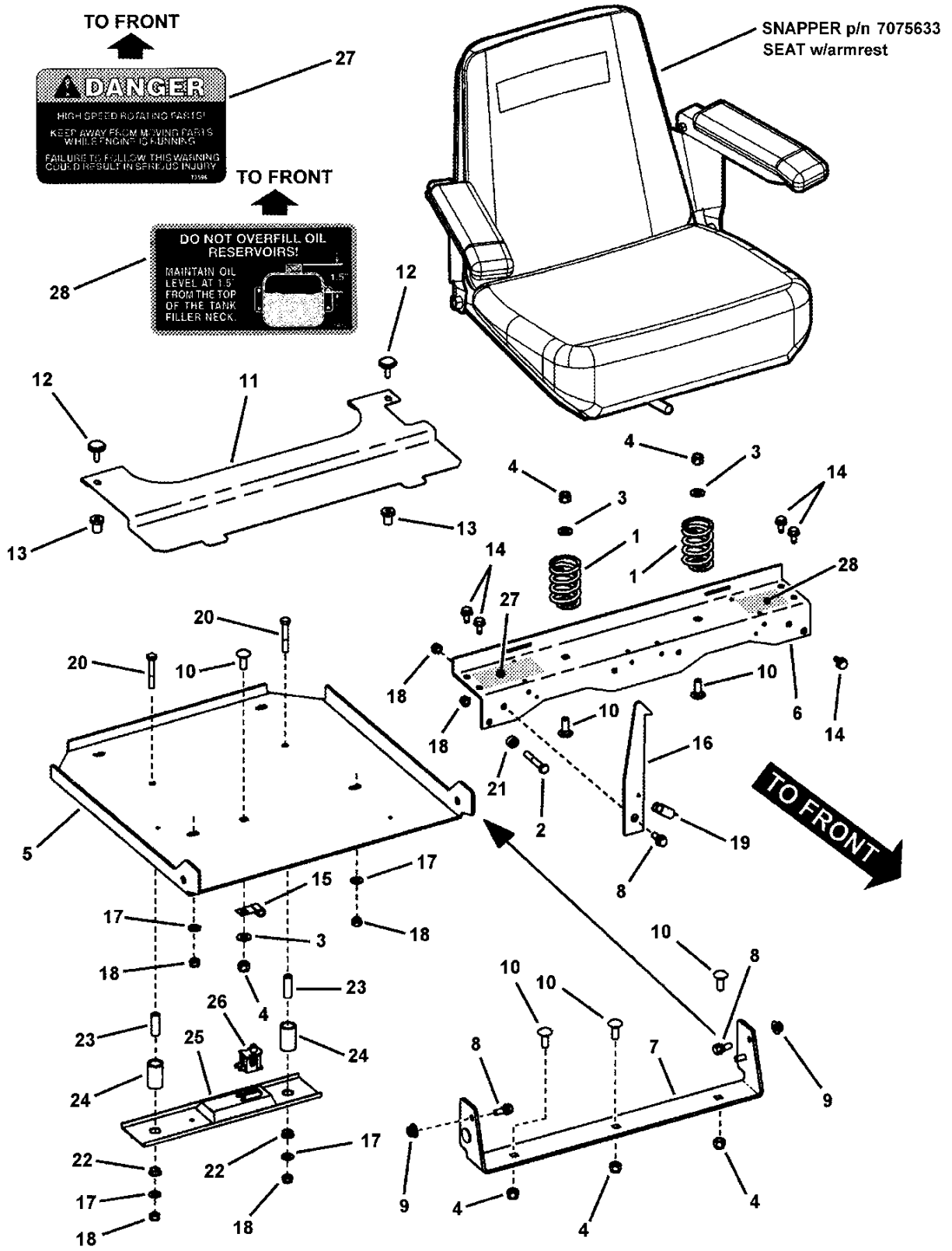
## ENGINE SUB-ASSEMBLY

| Item | Part No | Qty | Description  | Note                            |
|------|---------|-----|--|---------------------------------|
| 1    |         | 1   | ** ENGINE, 23HP Kohler (Model CV730S, Spec. PS-CV730-0022) |                                 |
| 1    |         | 1   | ** ENGINE, 25HP Kohler (Model CV730S, Spec. PS-CV730-0023) |                                 |
| 2    | 7091540 | 4   | SCREW, 5/16-18 x 1-1/2" Hex Head Cap, GR 5                 |                                 |
| 3    | 7013847 | 2   | RETAINER, 3/8" Bolt  |                                 |
| 4    | 7091706 | 5   | NUT, 5/16-18 Hex Top Lock, GR B                            |                                 |
| 5    | 7027972 | 1   | ASSEMBLY, Oil Valve  |                                 |
| 6    | 7016755 | 1   | KEY, 1/4" Square x 3/4" long                               |                                 |
| 7    | 7071828 | 1   | PULLEY, Engine (Double)                                    |                                 |
| 8    | 7075672 | 1   | CLUTCH, Electric (Ogura GT-2.5)                            |                                 |
| 9    | 7034448 | 1   | WASHER, Rectangular Steel                                  |                                 |
| 10   | 7029704 | 1   | BUMPER, Electric Clutch                                    |                                 |
| 11   | 7091527 | 1   | SCREW, 5/16-18 x 1-1/4" Hex Head Cap, GR 5                 |                                 |
| 12   | 7075082 | 1   | WASHER, .468 x 1.85 x .25 Flat                             |                                 |
| 13   | 7091301 | 1   | WASHER, 7/16" Split Lock                                   |                                 |
| 14   | 7092071 | 1   | SCREW, 7/16-20 x 2-1/2" Hex Head Cap, GR 5 (w/Nyloc Patch) |                                 |
| 15   | 7034829 | 1   | BRACKET, Clutch  |                                 |
| 16   | 7091640 | 2   | BOLT, 3/8-16 x 1" Square Neck Carriage, GR 5               |                                 |
| 17   | 7091299 | 2   | NUT, 3/8-16 Hex Nyloc                                      |                                 |
| 18   | 7017033 | 1   | KEY, 1/4" Square x 2-1/4" Long                             |                                 |
| 19   | 7011791 | 4   | RETAINER, 5/16" Bolt                                       |                                 |
| 20   | 7025071 | 1   | SPACER, Clutch   |                                 |
| 21   | 7090188 | 4   | WASHER, 5/16" Flat   |                                 |
| 22   | 7075734 | 1   | OUTLET, Muffler  |                                 |
| 23   | 7091581 | 4   | SCREW, # 8-18 x 1/2" Hex Washer Head Self-Tap              |                                 |
| 24   | 7092044 | 2   | NUT, M8 x 1.25 Hex (not shown)                             | <i>used on NZMJ23523KH only</i> |
| 25   | 7091315 | 2   | WASHER, 5/16" Split Lock (not shown)                       | <i>used on NZMJ23523KH only</i> |

### Footnotes:

\*\*See your local Kohler distributor for engine service parts.

# SEAT ASSEMBLY

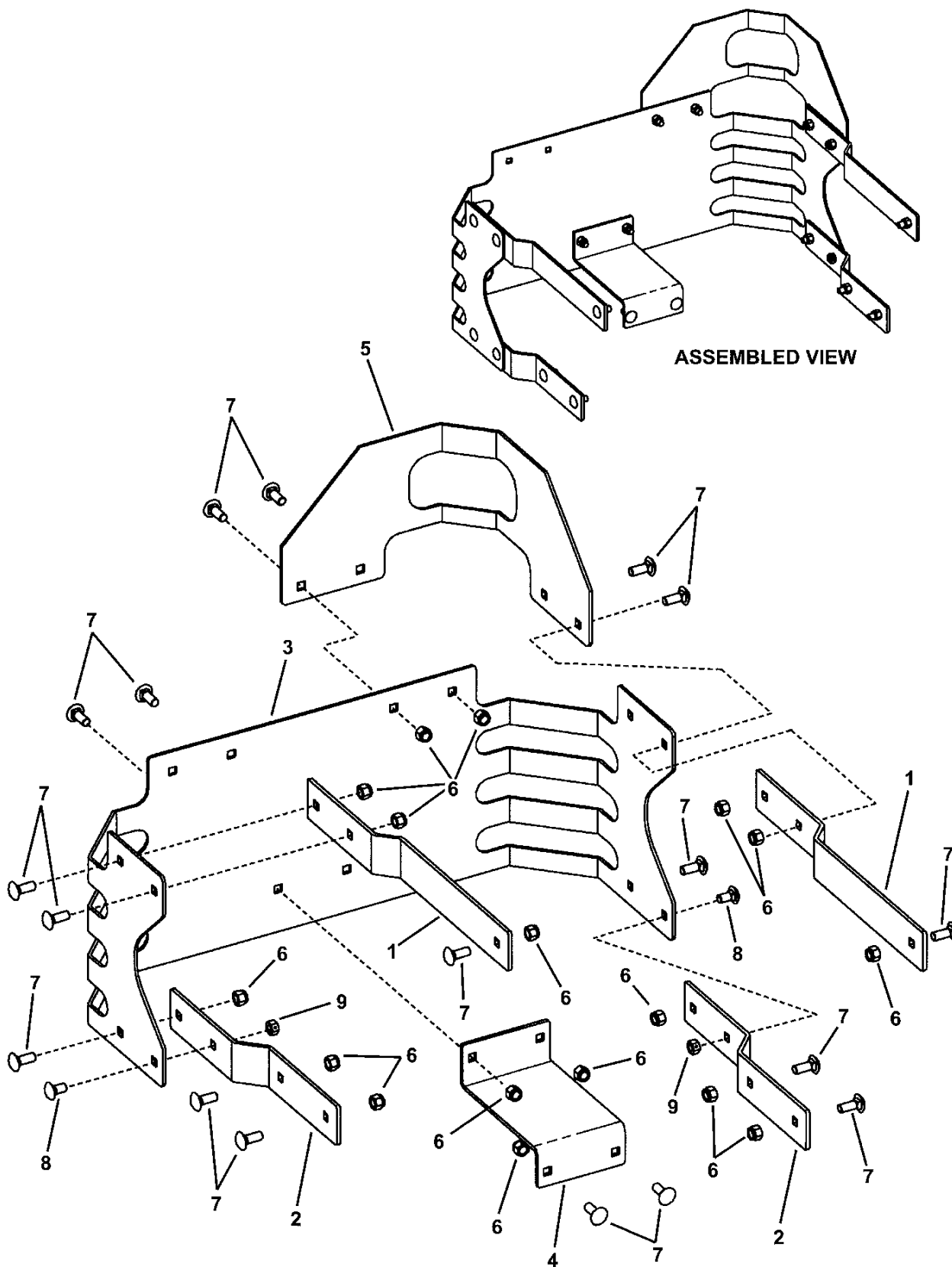


## SEAT ASSEMBLY

| Item | Part No | Qty | Description   | Note  |
|------|---------|-----|---|---|
|      | 7075633 | 1   | SEAT ASSY (Seats, Inc. p/n 907 EVC order parts from 1-800-767-3287) | (Incl. angle brackets, seat pan, cushions, armrests, adjusters & seat switch) |
| 1    | 7074218 | 2   | SPRING, Compression- Seat Support                                   |   |
| 2    | 7090368 | 1   | SCREW, 5/16-18 x 3/4" Hex Washer Self-Tap                           |   |
| 3    | 7090122 | 3   | WASHER, 3/8" Flat   |   |
| 4    | 7091299 | 6   | NUT, 3/8-16 Nyloc   |   |
| 5    | 7075419 | 1   | SEAT PAN  |   |
| 6    | 7074673 | 1   | CROSSMEMBER, Seat   |   |
| 7    | 7058546 | 1   | WELDMENT, Hinge Bracket   |   |
| 8    | 7015761 | 6   | SHOULDER BOLT, 5/16-18  |   |
| 9    | 7090951 | 2   | NUT, 5/16-18 Large Flange Hex Center Lock                           |   |
| 10   | 7091640 | 7   | BOLT, 3/8-16 x 1" Square Neck Carriage, GR 5                        |   |
| 11   | 7074740 | 1   | GUARD, Fan  |   |
| 12   | 7023341 | 2   | KNOB, 1/4-20 x 3/4" Thread  |   |
| 13   | 7091909 | 2   | WELL-NUT, 1/4-20 x 53/64"   |   |
| 14   | 7090361 | 5   | SCREW, 5/16-18 x 5/8" Hex Washer Self-Tap                           |   |
| 15   | 7035638 | 1   | CLIP, Open J 3/8 Cushioned  |   |
| 16   | 7075616 | 1   | LATCH, Seat   |   |
| 17   | 7090188 | 6   | WASHER, 5/16" Flat  |   |
| 18   | 7091298 | 7   | NUT, 5/16-18 Hex Nyloc  |   |
| 19   | 7026292 | 1   | SPRING, Extension   |   |
| 20   | 7027174 | 2   | SCREW, 5/16-18 x 2" Hex Head Cap, GR 5                              |   |
| 21   | 7028620 | 1   | SPACER, .340 I.D.x .63 O.D. x .310 Thick                            |   |
| 22   | 7022793 | 2   | BUSHING, Seat   |   |
| 23   | 7022794 | 2   | SPACER  |   |
| 24   | 7036492 | 2   | SPRING, Compression   |   |
| 25   | 7033362 | 1   | HOLDER, Seat Switch   |   |
| 26   | 7023354 | 1   | SWITCH, Seat, NC  |   |
| 27   | 7073596 | 1   | DECAL, Warning  |   |
| 28   | 7075433 | 1   | DECAL, Oil Reservoir Overfill Warning                               |   |

### Footnotes:

# MUFFLER GUARD ASSEMBLY





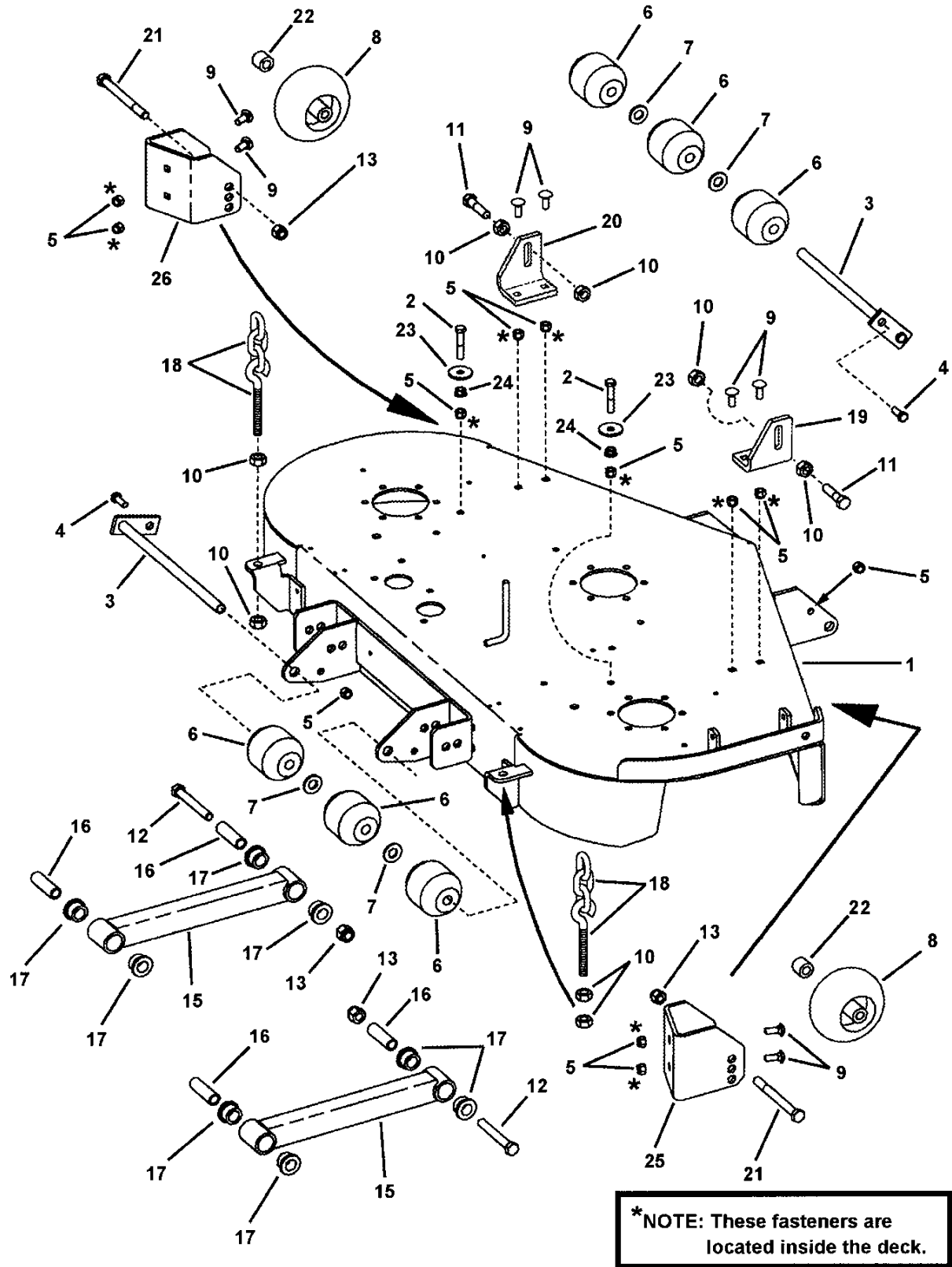
## **MUFFLER GUARD ASSEMBLY**

---

| <b>Item</b> | <b>Part No</b> | <b>Qty</b> | <b>Description</b>                           | <b>Note</b> |
|-------------|----------------|------------|--|-------------|
| 1           | 7074691        | 2          | UPPER BRACKET, Muffler Guard                 |             |
| 2           | 7074692        | 2          | MOUNT, Lower Muffler Guard                   |             |
| 3           | 7074693        | 1          | GUARD, Muffler (Back Plate)                  |             |
| 4           | 7074785        | 1          | REAR BRACE, Muffler Guard                    |             |
| 5           | 7075073        | 1          | GUARD, Muffler                               |             |
| 6           | 7091299        | 17         | NUT, 3/8-16 Nyloc                            |             |
| 7           | 7091640        | 18         | BOLT, 3/8-16 x 1" Square Neck Carriage, GR 5 |             |
| 8           | 7091923        | 2          | BOLT, 3/8-16 x 3/4" Square Neck Carriage     |             |
| 9           | 7091585        | 3          | NUT, 3/8-16 Hex Center Lock                  |             |

**Footnotes:**

**52" CUTTING DECK ASSEMBLY (Sub Assy)**

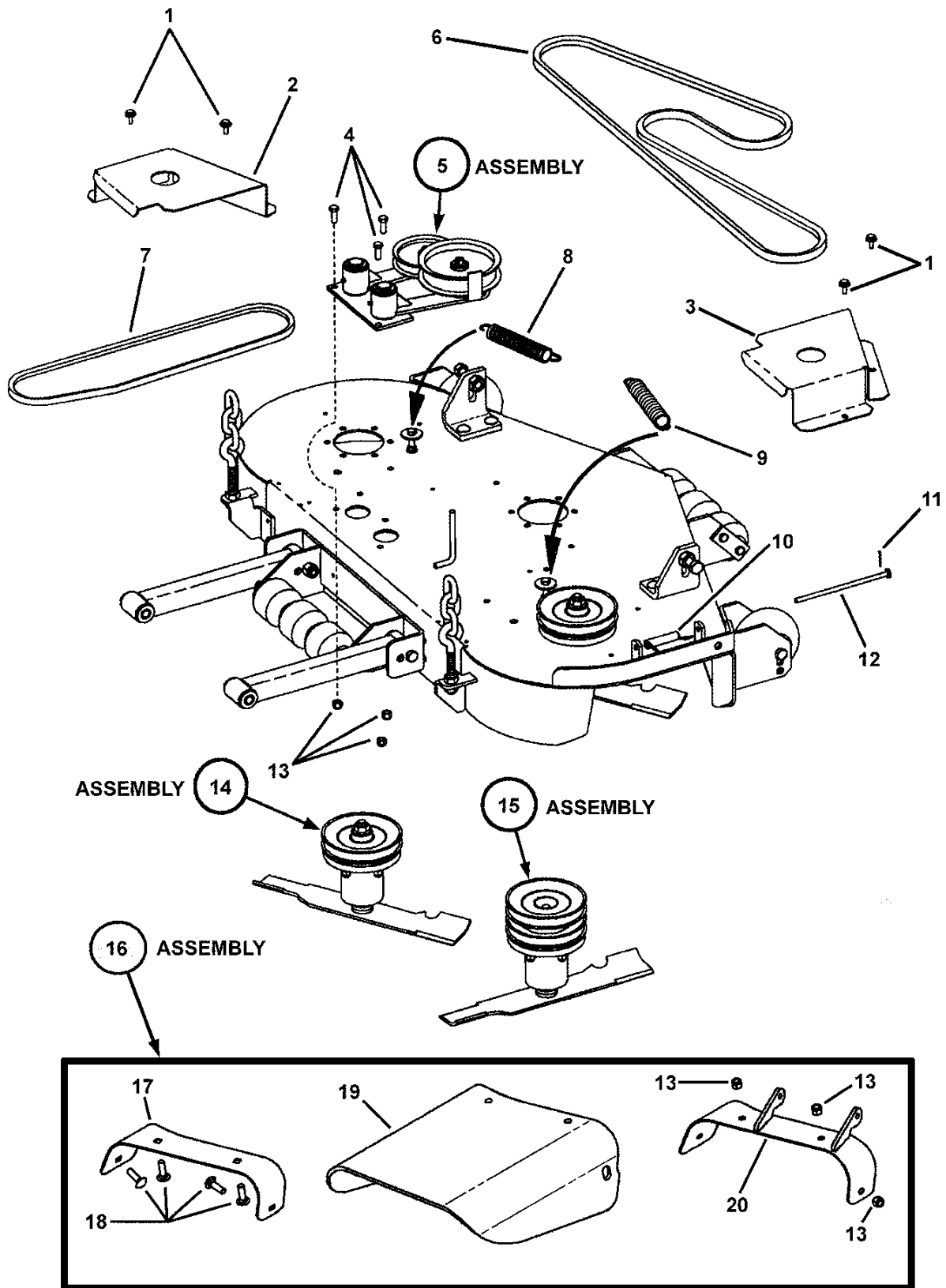


## 52" CUTTING DECK ASSEMBLY (Sub Assy)

| Item | Part No | Qty | Description   | Note  |
|------|---------|-----|---|---|
| 1    | 7059374 | 1   | WELDMENT, 52" Deck                                    |   |
| 2    | 7091305 | 2   | SCREW, 3/8-16 x 2" Hex Head Cap, GR 5                 |   |
| 3    | 7027327 | 2   | WELDMENT Pivot Pin                                    |   |
| 4    | 7091304 | 2   | SCREW, 3/8-16 x 1" Hex Head Cap, GR 5                 |   |
| 5    | 7091299 | 6   | NUT, 3/8-16 Hex Nyloc                                 |   |
| 6    | 7073142 | 6   | ROLLER Low Density Polyethylene                       |   |
| 7    | 7027344 | 2   | WASHER, 5/8" Flat SAE                                 |   |
| 8    | 7029264 | 2   | GAUGE WHEEL, Polyethylene                             |   |
| 9    | 7091640 | 6   | BOLT, 3/8-16 x 1" Square Neck Carriage, GR 5          |   |
| 10   | 7091544 | 4   | NUT, 1/2-13 Hex Flange GR 5                           |   |
| 11   | 7090543 | 2   | SCREW, 1/2-13 x 2" Hex Head Cap, GR 5                 |   |
| 12   | 7029355 | 2   | BOLT, 1/2-13 x 3-3/4" Hex Head Cap, GR 5              |   |
| 13   | 7091922 | 4   | NUT, 1/2-13 Hex Light Nyloc                           |   |
| 14   | 7059107 | 2   | ASSEMBLY, Pusher Bar (Includes items 15-17)           |   |
| 15   | 7059108 | 1   | WELDMENT, Pusher Bar                                  |   |
| 16   | 7029263 | 2   | SLEEVE - Suspension                                   |   |
| 17   | 7029258 | 4   | BUSHING - Suspension                                  |   |
| 18   | 7053562 | 2   | ASSEMBLY, Chain & Eyebolt (see Front Frame Assy page) | Ref. FRONT FRAME ASSY<br>(Deck Lift) page, item 6 |
| 19   | 7075582 | 1   | BRACKET, Front Deck Hanger R. H.                      |   |
| 20   | 7075583 | 1   | BRACKET, Front Deck Hanger L. H.                      |   |
| 21   | 7091822 | 4   | BOLT, 1/2-13 x 5" Hex Head                            |   |
| 22   | 7036456 | 2   | SPACER, Gauge Wheel                                   |   |
| 23   | 7091331 | 2   | WASHER, .406 x 1.50 x .120 Flat                       |   |
| 24   | 7091619 | 2   | NUT, 3/8-16 Hex Flange Lock                           |   |
| 25   | 7074789 | 1   | WHEEL BRACKET Front Right                             |   |
| 26   | 7074790 | 1   | WHEEL BRACKET Front Left                              |   |

### Footnotes:

**52" CUTTING DECK ASSEMBLY (Final Assy)**



## 52" CUTTING DECK ASSEMBLY (Final Assy)

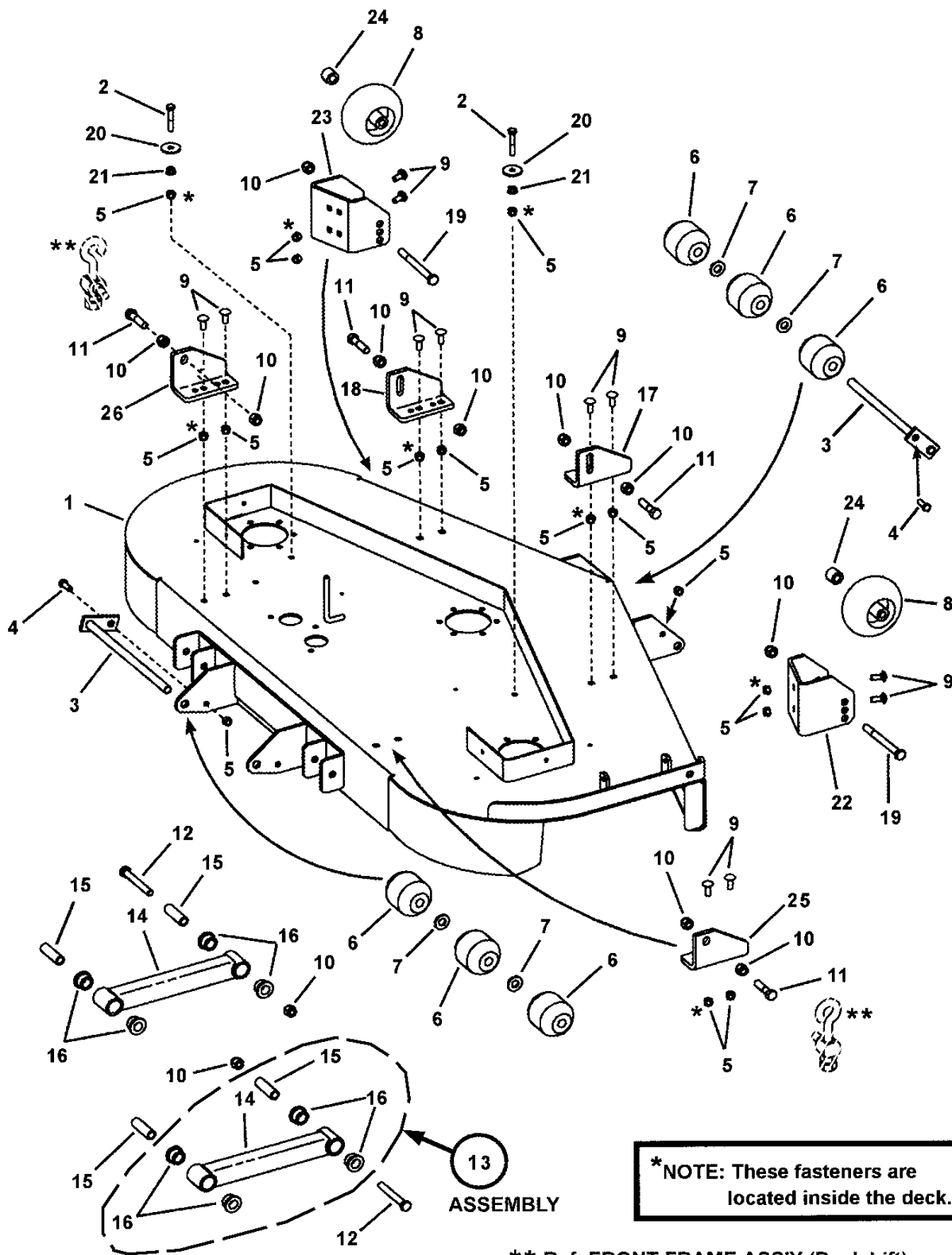
---

| Item | Part No | Qty | Description  | Note                                       |
|------|---------|-----|--|--|
| 1    | 7090361 | 4   | SCREW, 5/16-18 x 5/8" Hex Washer Self-Tap                          |  |
| 2    | 7074571 | 1   | BELT COVER, Left Hand  |  |
| 3    | 7074552 | 1   | BELT COVER, Right Hand   |  |
| 4    | 7091304 | 3   | SCREW, 3/8-16 x 1" Hex Head Cap, GR 5                              |  |
| 5    | 7058885 | 1   | ASSEMBLY, Idler (see breakdown on Idler Assy page)                 |  |
| 6    | 7029266 | 1   | *V-BELT, Secondary- 52" (HB Section, 116.30" effective length)     |  |
| 7    | 7075083 | 1   | *BELT, Primary (HB Section, 91.30" effective length)               |  |
| 8    | 7029278 | 1   | SPRING, Idler (1.17" O.D. x 7.5" long)                             |  |
| 9    | 7072915 | 1   | SPRING, Idler Primary (1.25" O.D. x 10" long)                      |  |
| 10   | 7027950 | 1   | SPRING, Chute  |  |
| 11   | 7091313 | 1   | PIN, 3/32 x 1" Cotter  |  |
| 12   | 7029277 | 1   | PIN, Chute Hinge   |  |
| 13   | 7091299 | 7   | NUT, 3/8-16 Hex Nyloc  |  |
| 14   | 7057960 | 2   | ASSEMBLY, Spindle (see breakdown on Deck Spindle Assy page)        |  |
| 15   | 7054011 | 1   | ASSEMBLY, Center Spindle (see breakdown on Deck Spindle Assy page) |  |
| 16   | 7500231 | 1   | ASSY, Discharge Chute, 52" Deck                                    | <i>incl. items 13, 17, 18, 19 &amp; 20</i> |
| 17   | 7300036 | 1   | DEFLECTOR BOTTOM (52" Deck)  |  |
| 18   | 7091790 | 4   | BOLT, 3/8-16 x 1-1/4" Square Neck Carriage, GR 5                   |  |
| 19   | 7100623 | 1   | DEFLECTOR, 52" Chute (Rubber)                                      |  |
| 20   | 7400008 | 1   | WELDMENT, 52" Discharge Chute                                      |  |

### Footnotes:

\*NOTE: Snapper part number stamped on belt

# 61" CUTTING DECK ASSEMBLY (Sub Assy)



**\*NOTE: These fasteners are located inside the deck.**

\*\* Ref: FRONT FRAME ASS'Y (Deck Lift) page item 7B (61" Deck)

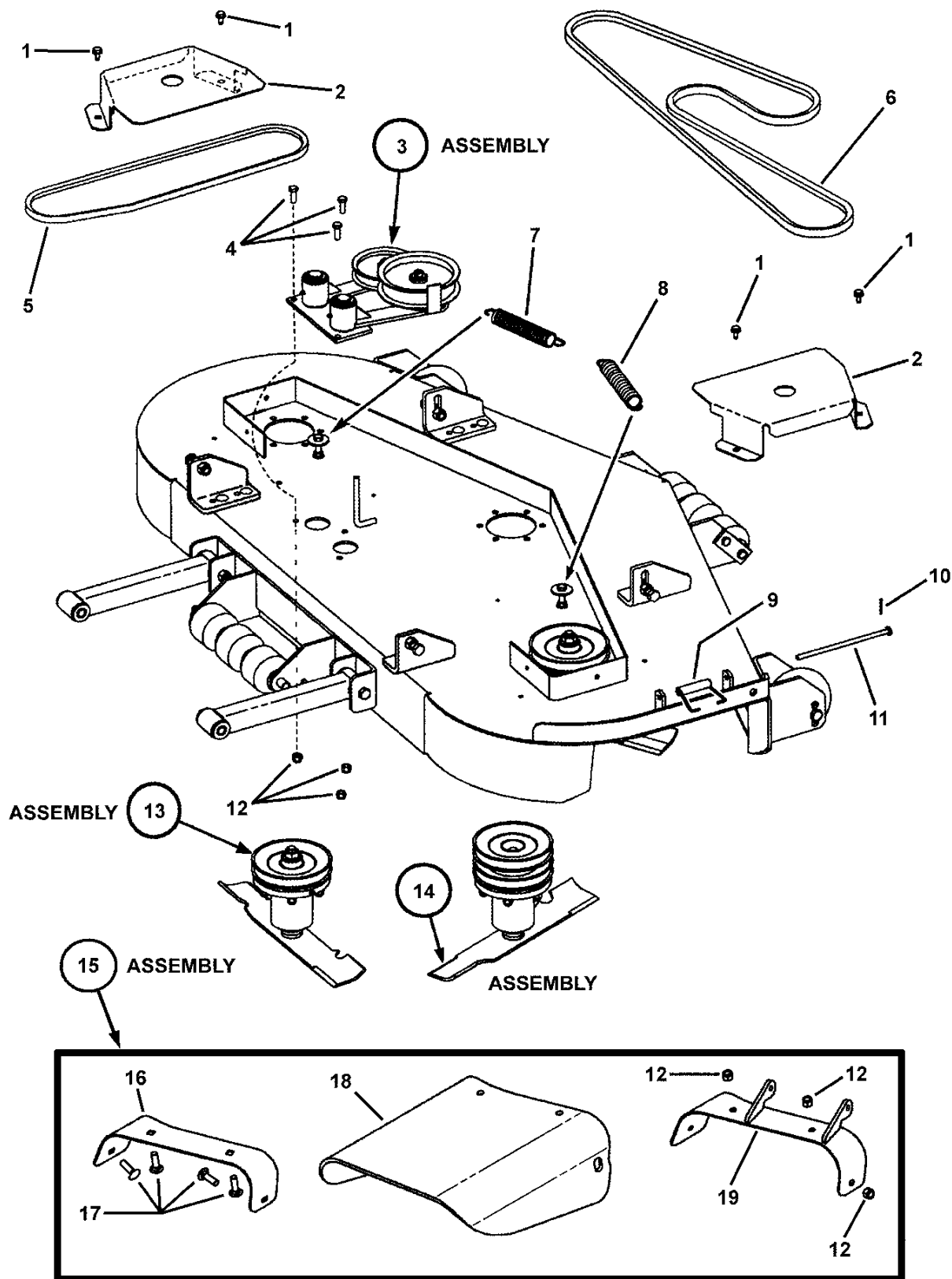
## 61" CUTTING DECK ASSEMBLY (Sub Assy)

---

| Item | Part No | Qty | Description                                  | Note |
|------|---------|-----|--|------|
| 1    | 7044815 | 1   | WELDMENT, 61" Deck                           |      |
| 2    | 7091305 | 2   | SCREW, 3/8-16 x 2" Hex Head Cap, GR 5        |      |
| 3    | 7027327 | 2   | WELDMENT Pivot Pin                           |      |
| 4    | 7091304 | 5   | SCREW, 3/8-16 x 1" Hex Head Cap, GR 5        |      |
| 5    | 7091299 | 16  | NUT, 3/8-16 Hex Nyloc                        |      |
| 6    | 7073142 | 6   | ROLLER, Low Density Polyethylene             |      |
| 7    | 7027344 | 4   | WASHER, 5/8" Flat SAE                        |      |
| 8    | 7029264 | 2   | GAUGE WHEEL, Polyethylene                    |      |
| 9    | 7091640 | 12  | BOLT, 3/8-16 x 1" Square Neck Carriage, GR 5 |      |
| 10   | 7091922 | 12  | NUT, 1/2-13 Hex Light Nyloc                  |      |
| 11   | 7090543 | 4   | SCREW, 1/2-13 x 2" Hex Head Cap, GR 5        |      |
| 12   | 7029355 | 2   | BOLT, 1/2-13 x 3-3/4" Hex Head Cap, GR 5     |      |
| 13   | 7075397 | 2   | ASSEMBLY, Pusher Bar (Includes items 14-16)  |      |
| 14   | 7044823 | 1   | WELDMENT, Pusher Bar                         |      |
| 15   | 7029263 | 2   | SLEEVE - Suspension                          |      |
| 16   | 7029258 | 4   | BUSHING - Suspension                         |      |
| 17   | 7075382 | 1   | BRACKET, Deck Lift, Right Hand               |      |
| 18   | 7075381 | 1   | BRACKET, Deck Lift, Left Hand                |      |
| 19   | 7091822 | 2   | BOLT, 1/2-13 x 5" Hex Head                   |      |
| 20   | 7091331 | 2   | WASHER, .406 x 1.50 x .120 Flat              |      |
| 21   | 7091619 | 2   | NUT, 3/8-16 Hex Flange Lock                  |      |
| 22   | 7074789 | 1   | WHEEL BRACKET, Front Right                   |      |
| 23   | 7074790 | 1   | WHEEL BRACKET, Front Left                    |      |
| 24   | 7036456 | 2   | SPACER, Gauge Wheel                          |      |
| 25   | 7075781 | 1   | BRACKET, Deck Lift, RH Rear                  |      |
| 26   | 7075780 | 1   | BRACKET, Deck Lift, LH Rear                  |      |

### Footnotes:

**61" CUTTING DECK ASSEMBLY (Final Assy)**





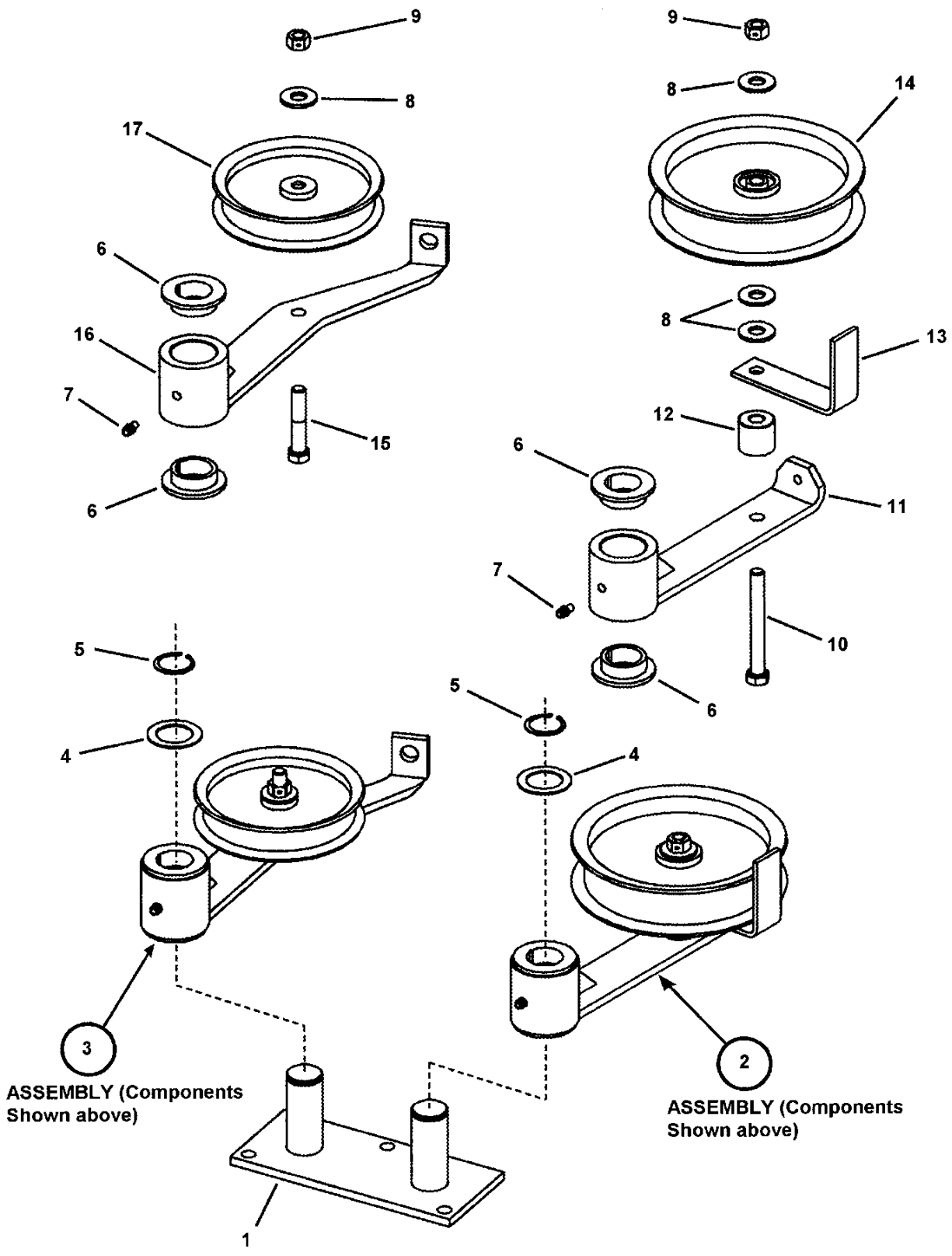
## 61" CUTTING DECK ASSEMBLY (Final Assy)

---

| Item | Part No | Qty | Description  | Note   |
|------|---------|-----|--|--|
| 1    | 7090361 | 4   | SCREW, 5/16-18 x 5/8" Hex Washer Self-Tap                          |  |
| 2    | 7075384 | 2   | BELT COVER, 61" Deck   |  |
| 3    | 7058885 | 1   | ASSEMBLY, Idler (see breakdown on Idler Assy page)                 |  |
| 4    | 7091304 | 3   | SCREW, 3/8-16 x 1" Hex Head Cap, GR 5                              |  |
| 5    | 7071766 | 1   | *BELT, Primary (HB Section, 94.2" effective length)                |  |
| 6    | 7029268 | 1   | *V-BELT, Secondary- 61" (HB Section, 127.0" effective length)      |  |
| 7    | 7029278 | 1   | SPRING, Idler (1.17" O.D. x 7.5" long)                             |  |
| 8    | 7072915 | 1   | SPRING, Idler Primary (1.25" O.D. x 10" long)                      |  |
| 9    | 7027950 | 1   | SPRING, Chute  |  |
| 10   | 7091313 | 1   | PIN, 3/32 x 1" Cotter  |  |
| 11   | 7029277 | 1   | PIN, Chute Hinge   |  |
| 12   | 7091299 | 7   | NUT, 3/8-16 Hex Nyloc  |  |
| 13   |         | 2   | ASSEMBLY, Spindle (see breakdown on Deck Spindle Assy page)        |  |
| 14   | 7058900 | 1   | ASSEMBLY, Center Spindle (see breakdown on Deck Spindle Assy page) |  |
| 15   | 7500232 | 1   | ASSEMBLY, Discharge Chute, 61" Deck                                | <i>incl. items 10, 11, 12, 17, 19 &amp; 20</i> |
| 16   | 7300034 | 1   | DEFLECTOR BOTTOM (61" Deck)  |  |
| 17   | 7091790 | 4   | BOLT, 3/8-16 x 1-1/4" Square Neck Carriage, GR 5                   |  |
| 18   | 7100622 | 1   | CHUTE, Rubber (61" Deck)   |  |
| 19   | 7400007 | 1   | WELDMENT, 61" Discharge Chute                                      |  |

### Footnotes:

# IDLER ASSEMBLIES



ASSEMBLY (Components Shown above)

ASSEMBLY (Components Shown above)

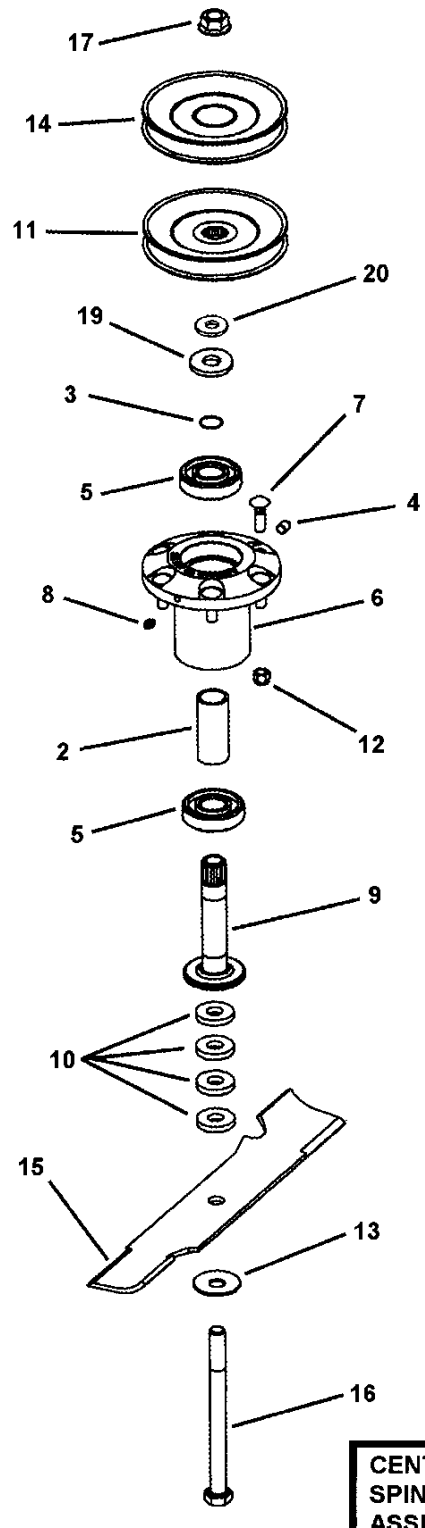
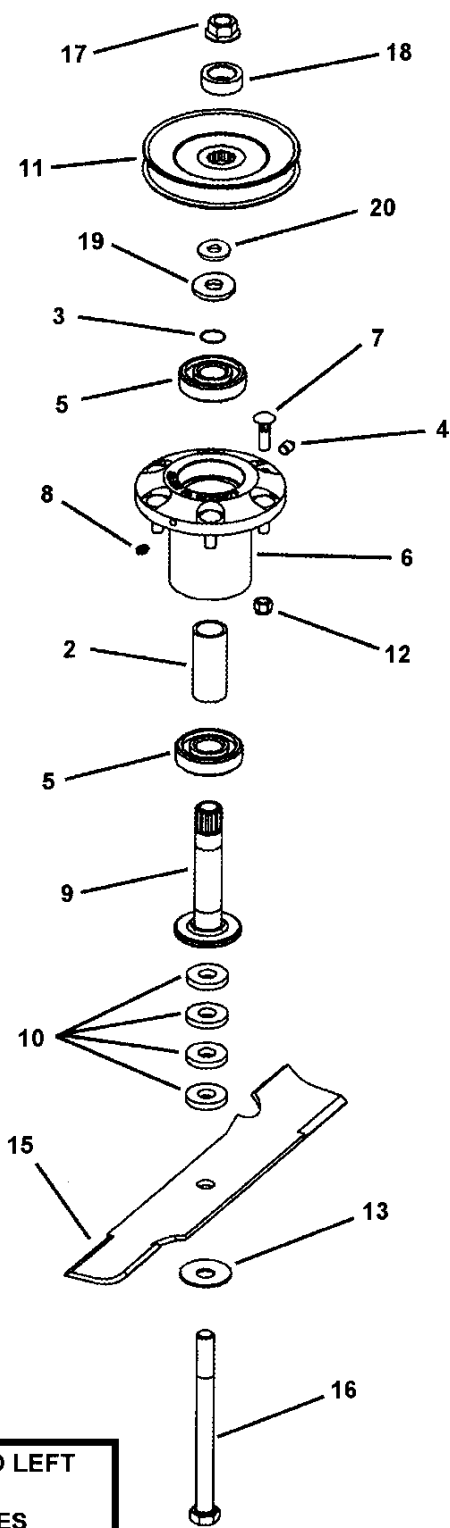
## **IDLER ASSEMBLIES**

---

| <b>Item</b> | <b>Part No</b> | <b>Qty</b> | <b>Description</b>                        | <b>Note</b>   |
|-------------|----------------|------------|---|---|
| 1           | 7058147        | 1          | WELDMENT, Idler Plate                     |   |
| 2           | 7058875        | 1          | ASSEMBLY, Primary Idler                   | <i>Includes items 6 (2), 7, 8 (3), 9, 10, 11, 12, 13 &amp; 14</i> |
| 3           | 7058844        | 1          | ASSEMBLY, Secondary Idler                 | <i>Includes items 6 (2), 7, 8, 9, 15, 16 &amp; 17</i>             |
| 4           | 7023747        | 2          | BUSHING, 1" Machine                       |   |
| 5           | 7012709        | 2          | RING, 1" External Retaining               |   |
| 6           | 7074720        | 4          | BUSHING, Idler (Powdered Metal)           |   |
| 7           | 7014669        | 2          | LUBE FITTING, 3/16"                       |   |
| 8           | 7090517        | 4          | WASHER, 3/8" Flat                         |   |
| 9           | 7091585        | 2          | NUT, 3/8-16 Hex Center Lock, GR 5 or B    |   |
| 10          | 7027220        | 1          | SCREW, 3/8-16 x 3-1/4" Hex Head Cap, GR 5 |   |
| 11          | 7058877        | 1          | WELDMENT, Primary Idler Arm               |   |
| 12          | 7035657        | 1          | BUSHING - Idler                           |   |
| 13          | 7035656        | 1          | RETAINER, Idler Belt                      |   |
| 14          | 7034422        | 1          | PULLEY, Flat Idler                        |   |
| 15          | 7091553        | 1          | SCREW, 3/8-16 x 1-3/4" Hex Head Cap, GR 5 |   |
| 16          | 7058329        | 1          | WELDMENT, Secondary Idler Arm             |   |
| 17          | 7029273        | 1          | PULLEY, Idler                             |   |

### **Footnotes:**

**DECK SPINDLE ASSEMBLIES**

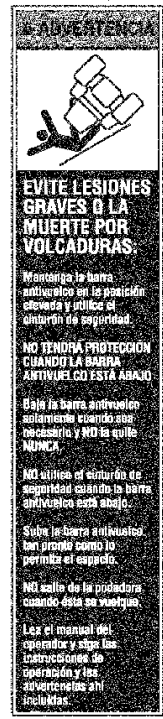
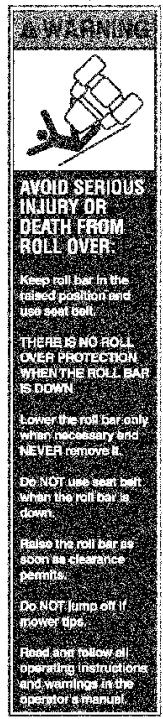
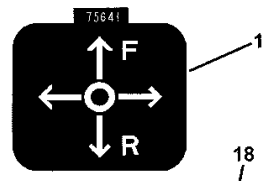
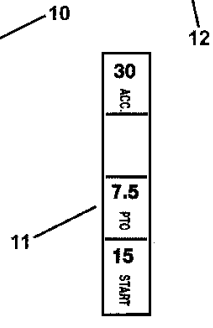
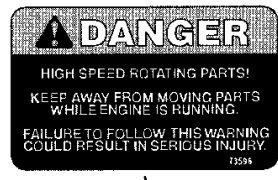
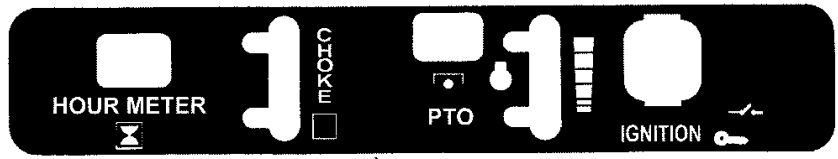
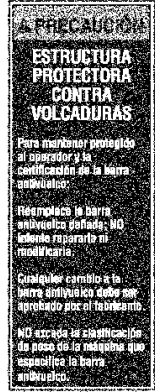
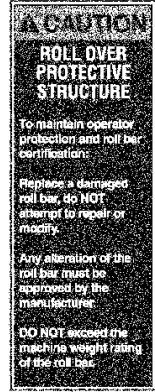
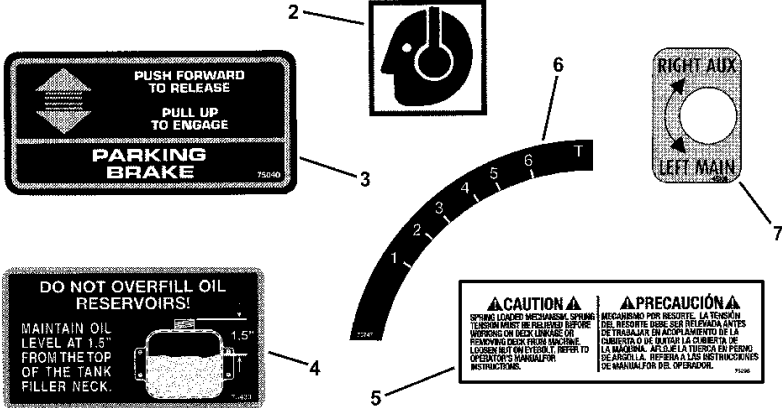


## DECK SPINDLE ASSEMBLIES

| Item | Part No | Qty | Description  | Note   |
|------|---------|-----|--|--|
| 1    | 7054011 | 1   | SUB-ASSEMBLY, Spindle (Incl.the 8 items below)                     |  |
| 2    | 7029254 | 1   | SPACER, Bearing  |  |
| 3    | 7029274 | 1   | *RING, Spindle Retaining   |  |
| 4    | 7029384 | 1   | VENT, Spindle (Alemite # 321839)                                   |  |
| 5    | 7029422 | 2   | BALL BEARING (2 per item 1, sub-assembly)                          |  |
| 6    | 7058237 | 1   | ASSEMBLY, Spindle Housing (includes items 4 & 8)                   | <i>7054017, Casting Ass'y includes spindle housing &amp; 6 item 7's.</i> |
| 7    | 7029302 | 6   | BOLT, Ribbed (3/8-16 x 1-1/4" Thread) (6 per item 1, sub-assembly) |  |
| 8    | 7029275 | 1   | FITTING, Lube (1/4-28 Special Thread Forming)                      | <i>Alemite #3038-B</i>   |
| 9    | 7059311 | 1   | SHAFT, Spindle   |  |
| 10   | 7029271 | 4   | SPACER, Blade  |  |
| 11   | 7029245 | 1   | PULLEY, 5.75" Diameter   |  |
| 12   | 7091299 | 6   | NUT, 3/8-16 Hex Nyloc (6 per spindle assembly)                     |  |
| 13   | 7016440 | 1   | WASHER, Beveled  |  |
| 14   | 7075076 | 1   | PULLEY, Driven (52" Deck only)                                     |  |
| 14   | 7029250 | 1   | PULLEY, Driven (61" Deck only)                                     |  |
| 15   | 7075751 | 1   | BLADE, 18" Commercial w/Extra Cut (52" Deck only)                  |  |
| 15   | 7075770 | 3   | BLADE, 21" (61" Deck only)   |  |
| 16   | 7063234 | 1   | BOLT, 5/8-11 x 7-1/2" Hex, Grade 5                                 |  |
| 17   | 7063237 | 1   | NUT, 5/8-11 Hex Flange Lock, GR 5                                  |  |
| 18   | 7029270 | 1   | WASHER, Spindle  |  |
| 19   | 7063238 | 1   | *SEAL, Nylos   |  |
| 20   | 7013370 | 1   | *WASHER  |  |

### Footnotes:

\*NOTE: For Bearing Pre-Seal Kit (63240) installation, discard 3 & replace with 19 & 20.



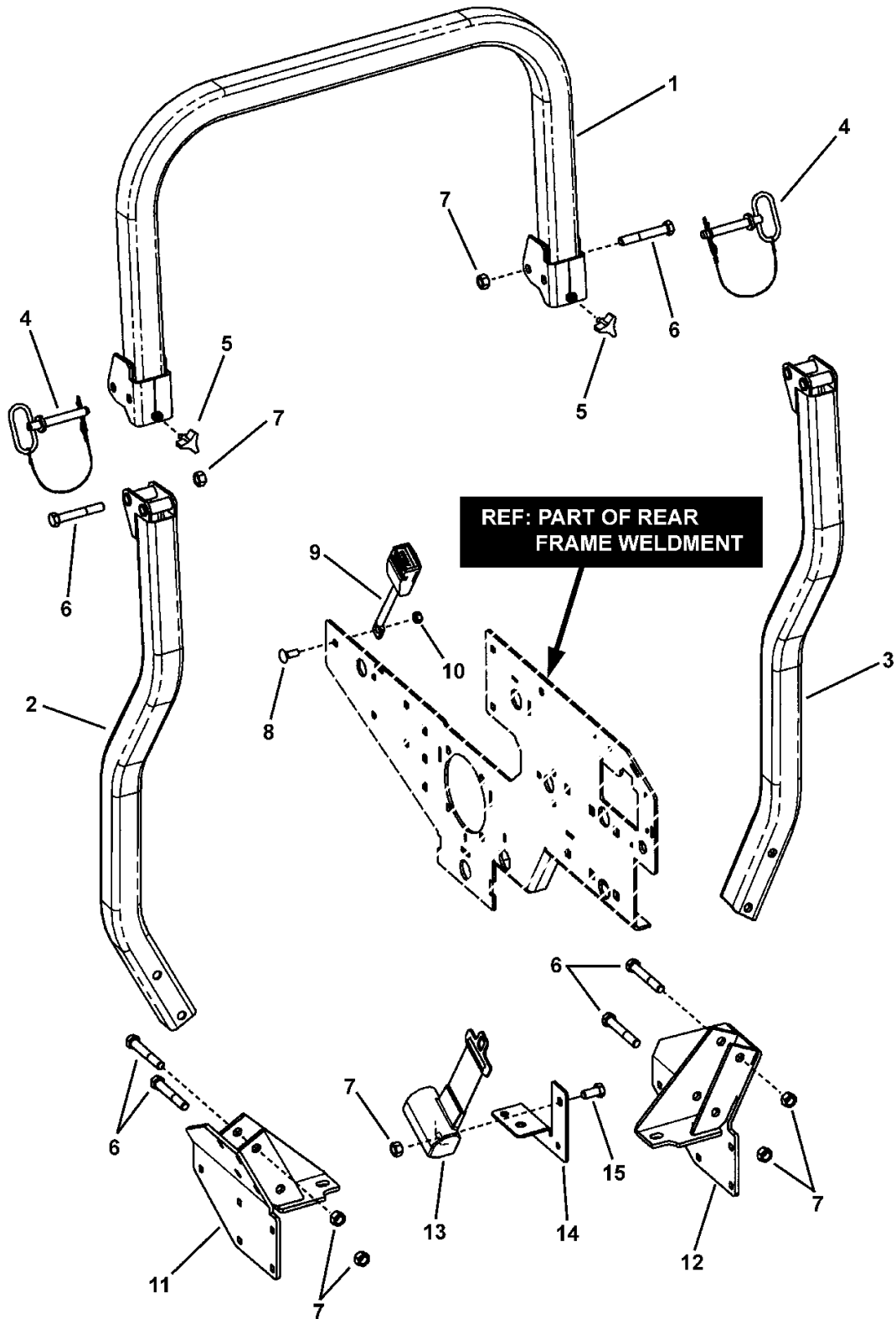
## DECALS

---

| Item | Part No | Qty | Description                               | Note |
|------|---------|-----|---|------|
| 1    | 7074862 | 2   | DECAL, Snapper Pro                        |      |
| 2    | 7027733 | 1   | DECAL, Ear Protection                     |      |
| 3    | 7075040 | 1   | DECAL, Park Brake                         |      |
| 4    | 7075433 | 1   | DECAL, Oil Reservoir Overfill Warning     |      |
| 5    | 7075296 | 1   | DECAL, Caution (Spring Mechanism)         |      |
| 6    | 7075747 | 1   | DECAL, Detent                             |      |
| 7    | 7045108 | 1   | DECAL, Tank Selector                      |      |
| 8    | 7100170 | 1   | DECAL, Caution ROPS                       |      |
| 9    | 7100171 | 1   | DECAL, Caution ROPS (Spanish)             |      |
| 10   | 7100284 | 1   | DECAL, ROPS Overhang                      |      |
| 11   | 7075743 | 1   | DECAL, Fuse                               |      |
| 12   | 7075756 | 1   | DECAL, Control Panel                      |      |
| 13   | 7075640 | 1   | DECAL, 23HP Kohler Engine                 |      |
| 14   | 7073596 | 1   | DECAL, Danger (High Speed Rotating Parts) |      |
| 15   | 7100172 | 1   | DECAL, Warning ROPS                       |      |
| 16   | 7100173 | 1   | DECAL, Warning ROPS (Spanish)             |      |
| 17   | 7075641 | 1   | DECAL, Lever Control                      |      |
| 18   | 7073647 | 2   | DECAL, Danger, Guard/Catcher              |      |
| 19   | 7075566 | 1   | DECAL, 52" Deck (silver)                  |      |
| 20   | 7075567 | 1   | DECAL, 61" Deck (silver)                  |      |

### Footnotes:

# ROLL BAR PROTECTIVE STRUCTURE





## ROLL BAR PROTECTIVE STRUCTURE

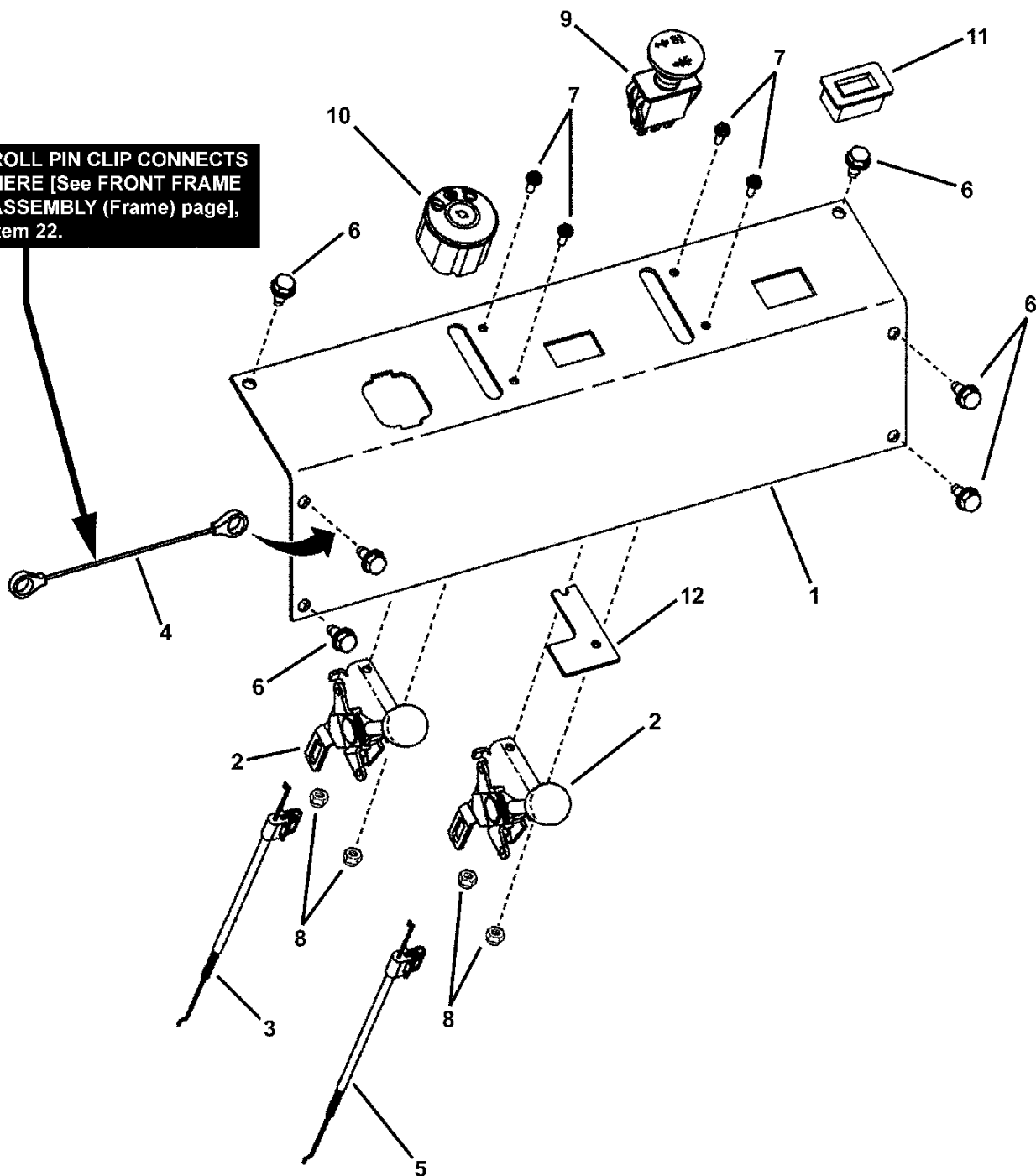
---

| Item | Part No | Qty | Description                                  | Note   |
|------|---------|-----|--|--|
| 1    | 7100091 | 1   | TOP LOOP, Folding                            |  |
| 2    | 7100089 | 1   | WELDMENT POST, RH                            |  |
| 3    | 7100090 | 1   | WELDMENT POST, LH                            |  |
| 4    | 7100095 | 2   | PIN, Hinge (ROPS)                            |  |
| 5    | 7100099 | 2   | STAR KNOB (5/16-18 thread)                   |  |
| 6    | 7092123 | 6   | SCREW, 1/2-13 x 3-1/4" Hex Head Cap, GR 5    |  |
| 7    | 7090975 | 11  | NUT, 1/2-13 Hex Center Lock, GR 5            | <i>or 7091894</i>                                      |
| 8    | 7091640 | 1   | BOLT, 3/8-16 x 1" Square Neck Carriage, GR 5 |  |
| 9    | 7100228 | 1   | SEAT BELT, w/Metal Strap                     |  |
| 10   | 7091585 | 1   | NUT, 3/8-16 Hex Center Lock                  |  |
| 11   | 7400080 | 1   | WELDMENT, Right Hand Socket                  | <i>see also on REAR FRAME &amp; TANK BRACKETS page</i> |
| 12   | 7400081 | 1   | WELDMENT, Left Hand Socket                   | <i>see also on REAR FRAME &amp; TANK BRACKETS page</i> |
| 13   | 7100227 | 1   | SEAT BELT, Retractor                         |  |
| 14   | 7300139 | 1   | BRACKET, Seat Beal, LH                       | <i>see also on FUEL TANK ASSEMBLY page</i>             |
| 15   | 7090646 | 5   | SCREW, 1/2-13 x 1" Hex Head Cap, GR 5        |  |

### Footnotes:

# CONTROL PANEL ASSEMBLY

ROLL PIN CLIP CONNECTS  
HERE [See FRONT FRAME  
ASSEMBLY (Frame) page],  
Item 22.



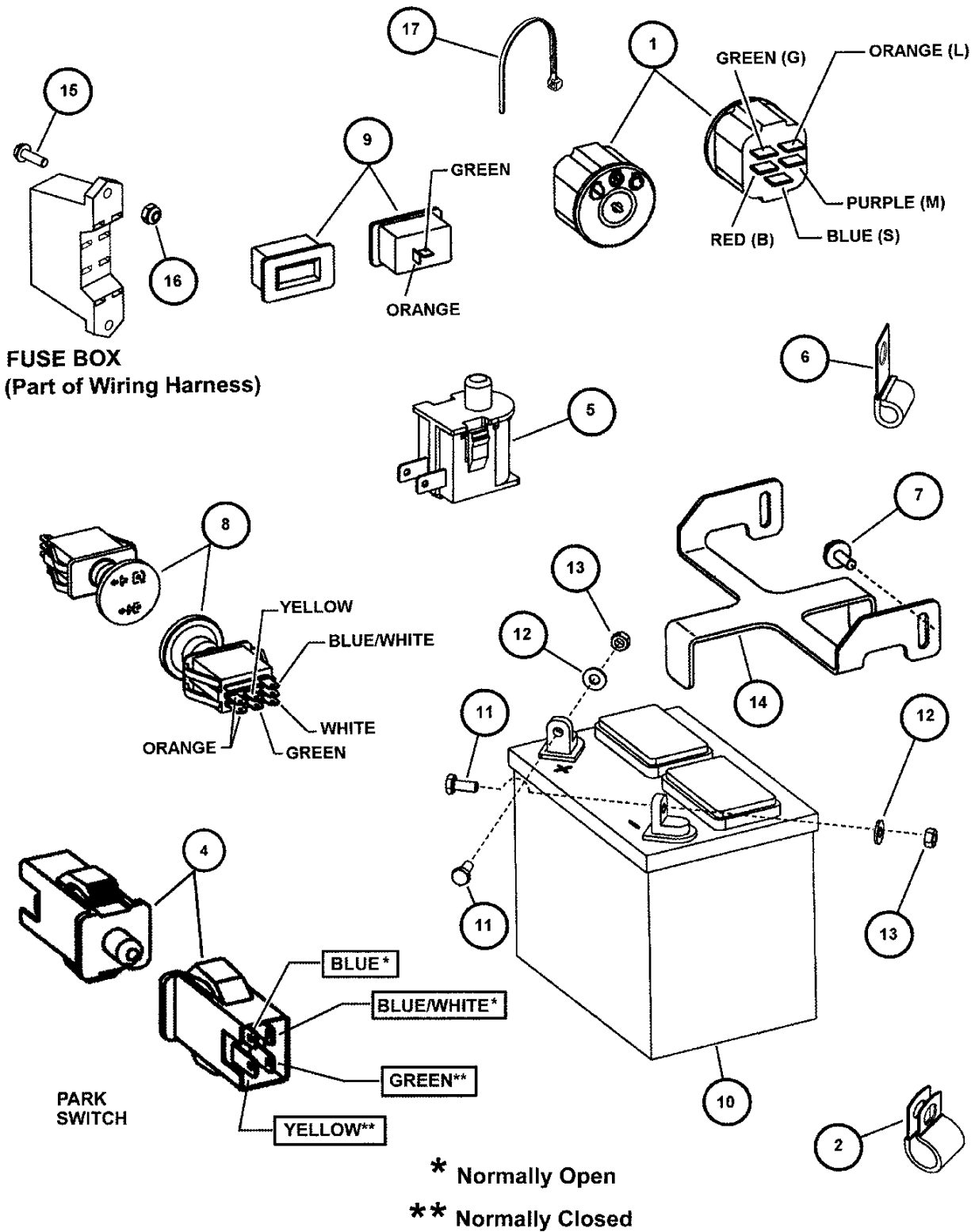
## CONTROL PANEL ASSEMBLY

---

| Item | Part No | Qty | Description                               | Note   |
|------|---------|-----|---|--|
| 1    | 7074676 | 1   | CONTROL PANEL                             |  |
| 2    | 7074801 | 2   | CONTROL LEVER, Throttle/Choke             |  |
| 3    | 7074804 | 1   | CONTROL CABLE, Throttle                   |  |
| 4    | 7075086 | 1   | STRAP, Tether                             |  |
| 5    | 7075046 | 1   | CONTROL CABLE, Choke                      |  |
| 6    | 7090361 | 9   | SCREW, 5/16-18 x 5/8" Hex Washer Self-Tap |  |
| 7    | 7091240 | 2   | SCREW, #10-32 x 5/8" Hex Washer Self-Tap  | <i>Note: These items are also shown on the Electrical Components page.</i> |
| 8    | 7090376 | 2   | NUT, #10-32 Nyloc                         | <i>Note: These items are also shown on the Electrical Components page.</i> |
| 9    | 7075132 | 1   | SWITCH, PTO, Yellow                       | <i>Note: These items are also shown on the Electrical Components page.</i> |
| 10   | 7072684 | 1   | SWITCH, Ignition                          | <i>Note: These items are also shown on the Electrical Components page.</i> |
| 11   | 7074796 | 1   | HOUR METER w/Flash Alerts                 | <i>Note: These items are also shown on the Electrical Components page.</i> |
| 12   | 7300225 | 1   | CHOKE PLATE, Kohler                       |  |

### Footnotes:

# ELECTRICAL COMPONENTS



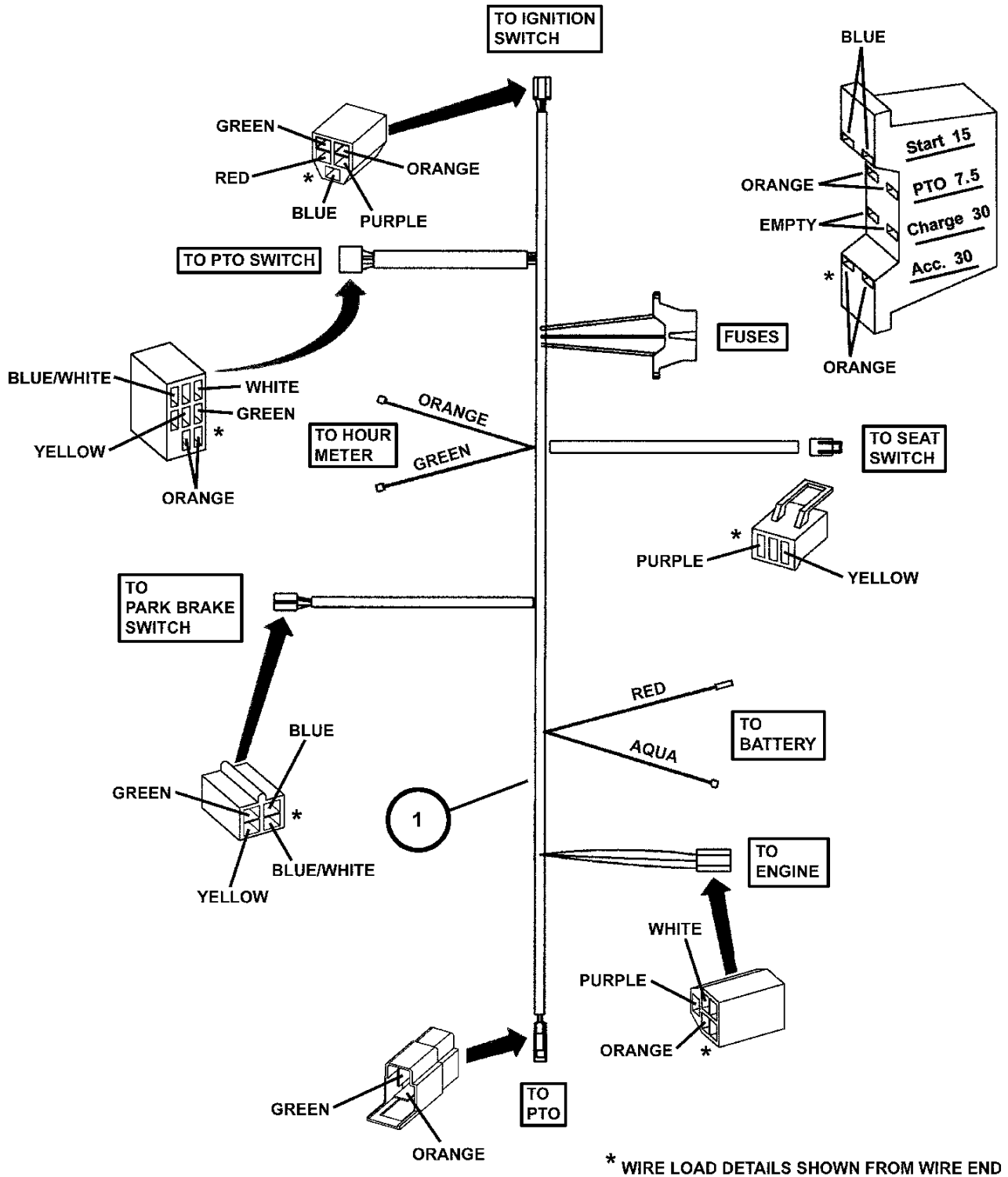
## ***ELECTRICAL COMPONENTS***

---

| <b>Item</b> | <b>Part No</b> | <b>Qty</b> | <b>Description</b>                                    | <b>Note</b>   |
|-------------|----------------|------------|---|---|
| 1           | 7072684        | 1          | SWITCH, Ignition                                      |   |
| 2           | 7015861        | 1          | CLIP, Harness   |   |
| 3           | 7073406        | 1          | KEY SET (not shown)                                   |   |
| 4           | 7022886        | 1          | SWITCH, DP NO/NC Snap-In                              |   |
| 5           | 7023354        | 1          | SWITCH, Seat, NC                                      | <i>shown also on Seat Assembly page</i>                                     |
| 6           | 7035638        | 4          | CLIP, Open J 3/8 Cushioned                            | <i>shown on Rear Frame &amp; Tank Bracket page &amp; Seat Assembly page</i> |
| 7           | 7090741        | 2          | SCREW, 1/4-20 x 5/8" Hex Head w/loose captured washer |   |
| 8           | 7075132        | 1          | SWITCH, PTO, Yellow                                   | <i>shown also on CONTROL PANEL ASSEMBLY page</i>                            |
| 9           | 7074796        | 1          | HOUR METER w/2 Flash Alerts                           | <i>Sendec Corp. Model No. 804-204</i>                                       |
| 10          | 7075911        | 1          | BATTERY, 12V - Wet, 11 Plate 375CCA                   | <i>7075911 replaces 7035610</i>   |
| 11          | 7090072        | 2          | SCREW, 1/4-20 x 5/8" Hex Head Cap, GR 5               |   |
| 12          | 7091294        | 2          | WASHER, 9/32 I.D. x 5/8" O.D. Flat                    |   |
| 13          | 7090372        | 2          | NUT, 1/4-20 Hex Center Lock, GR 5 or B                |   |
| 14          | 7074809        | 1          | BRACKET, Battery Hold-Down                            |   |
| 15          | 7091240        | 2          | SCREW, #10-32 x 5/8" Hex Washer Self-Tap              |   |
| 16          | 7090376        | 2          | NUT, #10-32 Hex Nyloc                                 |   |
| 17          | 7012080        | 15         | CABLE TIE, 7" long                                    |   |

### **Footnotes:**

**WIRING HARNESS**



\* WIRE LOAD DETAILS SHOWN FROM WIRE END

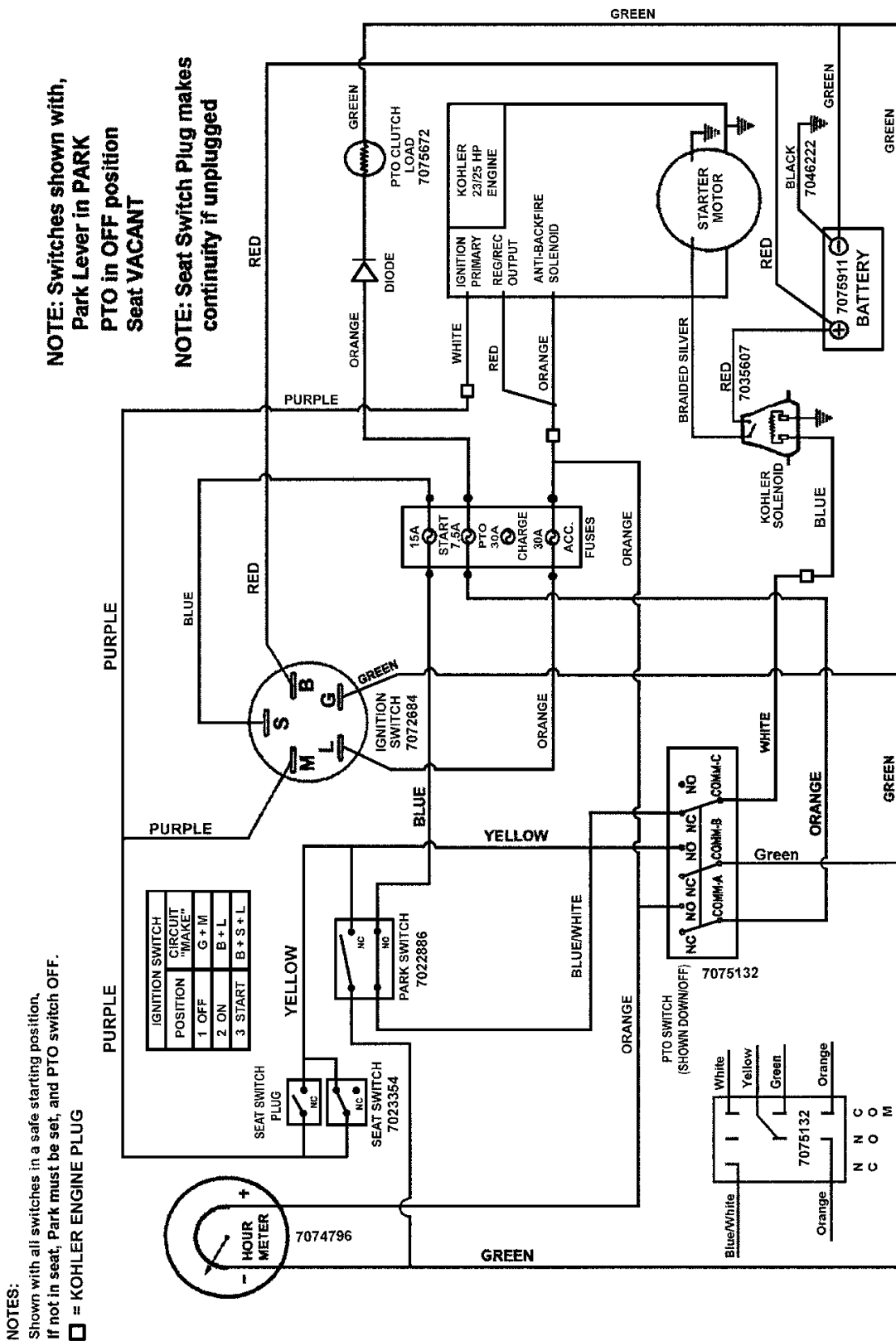
## **WIRING HARNESS**

---

| <b>Item</b> | <b>Part No</b> | <b>Qty</b> | <b>Description</b>  | <b>Note</b> |
|-------------|----------------|------------|---|-------------|
| 1           | 7075426        | 1          | HARNESS, Wiring (Kohler)                                      |             |
| 2           | 7075038        | 1          | CABLE, Battery- Positive (6 Gage, 34" long) (not shown)       |             |
| 3           | 7035609        | 1          | CABLE, Battery- Ground (6 Gage/14 Gage, 23" long) (not shown) |             |

**Footnotes:**

# WIRING SCHEMATIC (Kohler Engines)



SCHEMATIC - WIRING HARNESS P.N. 7075426



## **WIRING SCHEMATIC (Kohler Engines)**

---

| <b>Item</b> | <b>Part No</b> | <b>Qty</b> | <b>Description</b>                   | <b>Note</b> |
|-------------|----------------|------------|--------------------------------------|-------------|
| 1           | 7075426        | 1          | SCHEMATIC, Wiring, Kohler 23 & 25 HP |             |

**Footnotes:**





*Parts Manual for*

# **SNAPPER®**

## **MID MOUNT Z-RIDER ZERO TURNING HYDRO DRIVE NZMJ SERIES 3**

IT IS THE POLICY OF SNAPPER TO IMPROVE ITS PRODUCTS  
WHENEVER IT IS POSSIBLE AND PRACTICAL TO DO SO. WE  
RESERVE THE RIGHT TO MAKE CHANGES OR ADD IMPROVEMENTS  
AT ANY TIME WITHOUT INCURRING ANY OBLIGATION TO MAKE  
SUCH CHANGES ON PRODUCTS MANUFACTURED PREVIOUSLY.

**SNAPPER®** McDonough, GA, 30253 U.S.A.