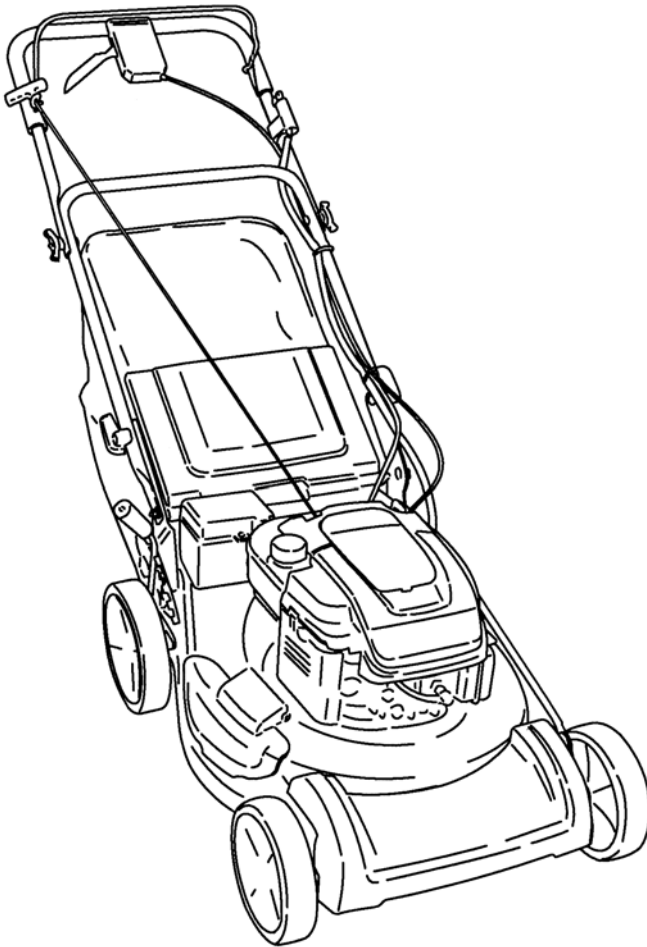


Parts Manual for
SNAPPER®

**21" VARIABLE SPEED
REAR DISCHARGE MOWERS**



MODEL

NSPV21675 (7800231)

NSPV21675E (7800232)

SPV21675 (7800179)

SPV21675E (7800195)

SPV21675EFC (7800266)

SPV21675FC (7800265)

Briggs & Stratton Yard Power Products Group

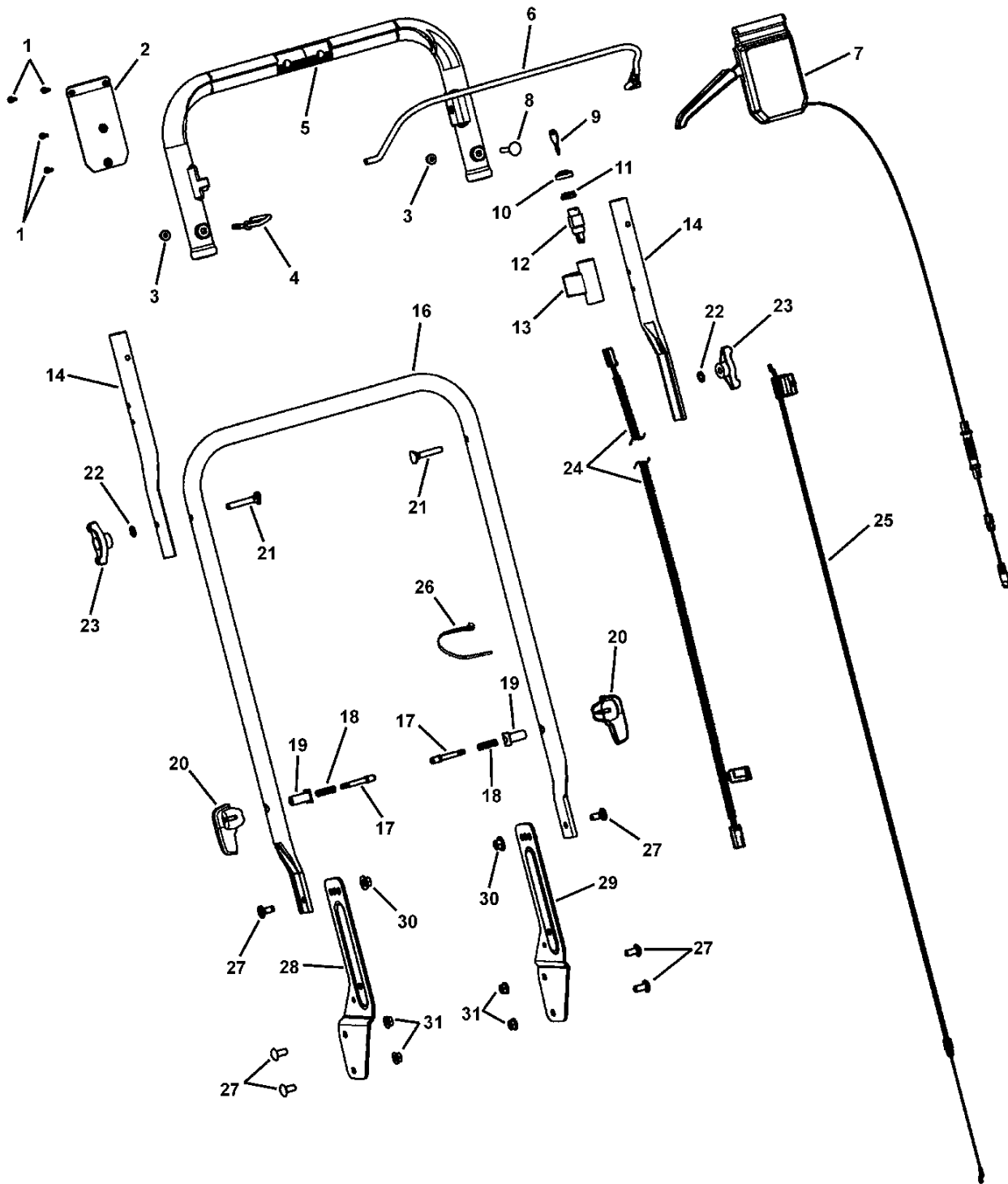
535 Macon Road
McDonough, GA, 30253 U.S.A.
800-935-2967

Revision A, 4/23/2008

Manual No. 7102509

TP 400-5395-A-WB-N

PAGE	GROUP
4	Handles and Controls (SPV21)
6	Deck Assembly (SPV21)
10	Engine and Blade Assembly (SPV21)
12	Front and Rear Wheels (SPV21)
14	Transmission (21")
16	Decals (21")
18	Wiring Schematic

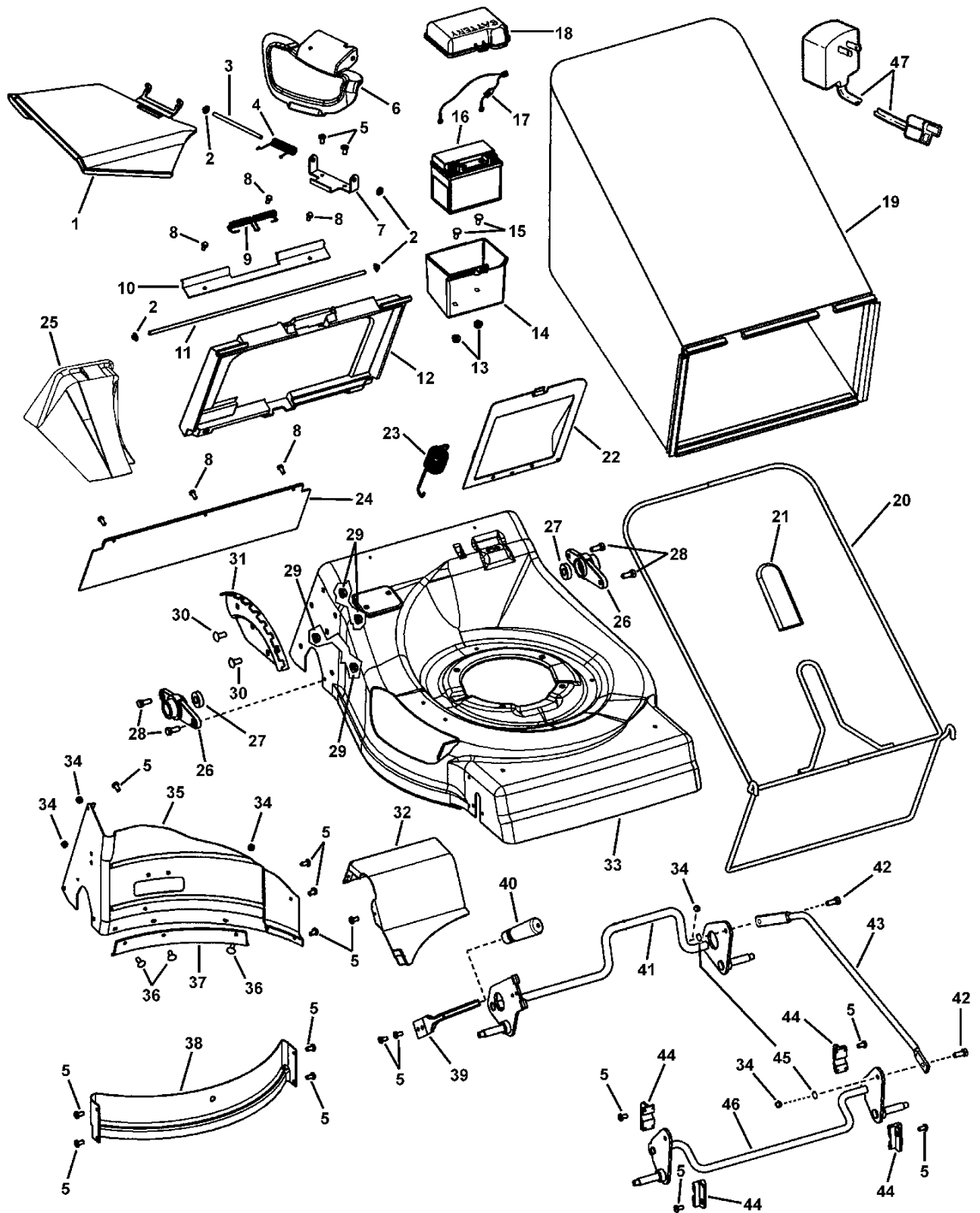


Handles and Controls (SPV21)

Item	Part No	Qty	Description	Note
1	7100225	4	SCREW, #8-16 Torxplus Recessed Pan Head, Twin Helix	
2	7300670A	1	PLATE, Control Panel- Plastic Handle	
3	2860694	2	NUT, 1/4-20, Hex Flange Nyloc	
4	7101410	1	ROPE GUIDE (1/4-20 thread)	
5	7101312	1	HANDLE, Plastic Upper, WBM	
6	7101321BH	1	BAIL, Plastic Handle, WBM	
7	7101416	1	ASSY, Control Head, 21" WBM, RD, Snapper (includes cable & lever)	
8	7090015	1	BOLT, 1/4-20 x 1-3/4" Round Head Square Neck, GR 2	
9	7011138	1	KEY, Ignition (Pair)	
10	7100330	1	CAP, Electric Start	
11	7100329	1	NUT, 5/8"-32 Electric Start	
12	7028765	1	SWITCH, E/S (Start/Run)	
13	7100328	1	HOUSING, Snap-On E-Start	
14	7300649BH	2	HANDLE, Connecting 21"/22" WBM	
16	7300639BH	1	HANDLE, Lower, 21" WBM, RD	
17	7101198	2	PIN, Handle Adjust	
18	7101200	2	SPRING, Compression	
19	7101199	2	BUSHING, Handle Pin	
20	7101202	2	KNOB, Quick Release	
21	7091189	2	BOLT, 5/16-18 x 2" Curved Head Square Neck, GR 2	
22	7090391	2	WASHER, 5/16" Internal Tooth Lock	
23	7035744	2	KNOB, 5/16-18 Wing (Black)	
24	7101504	1	WIRE HARNESS, Snapper, RD 21"	
25	7101399	1	CABLE, Bail, 21" WBM, RD, Snapper	44.20" length
25	7101400	1	CABLE, Bail, 21" WBM, RD, Snapper, E/S	40.50" length
26	7024649	3	WIRE TIE, 11 Inch Standard Black Nylon	
27	7091508	2	BOLT, 5/16-18 x 3/4" Round Head Short Square Neck, GR5 YZ	
28	7300567BH	1	BRACKET, Lower Handle, LH 21" WBM	
29	7300566BH	1	BRACKET, Lower Handle RH 21" WBM	
30	7090951	2	NUT, 5/16-18 Large Head Center Lock, Black	
31	7091601	4	NUT, 5/16-18 Flange Lock, YZ	

Footnotes:

Deck Assembly (SPV21)

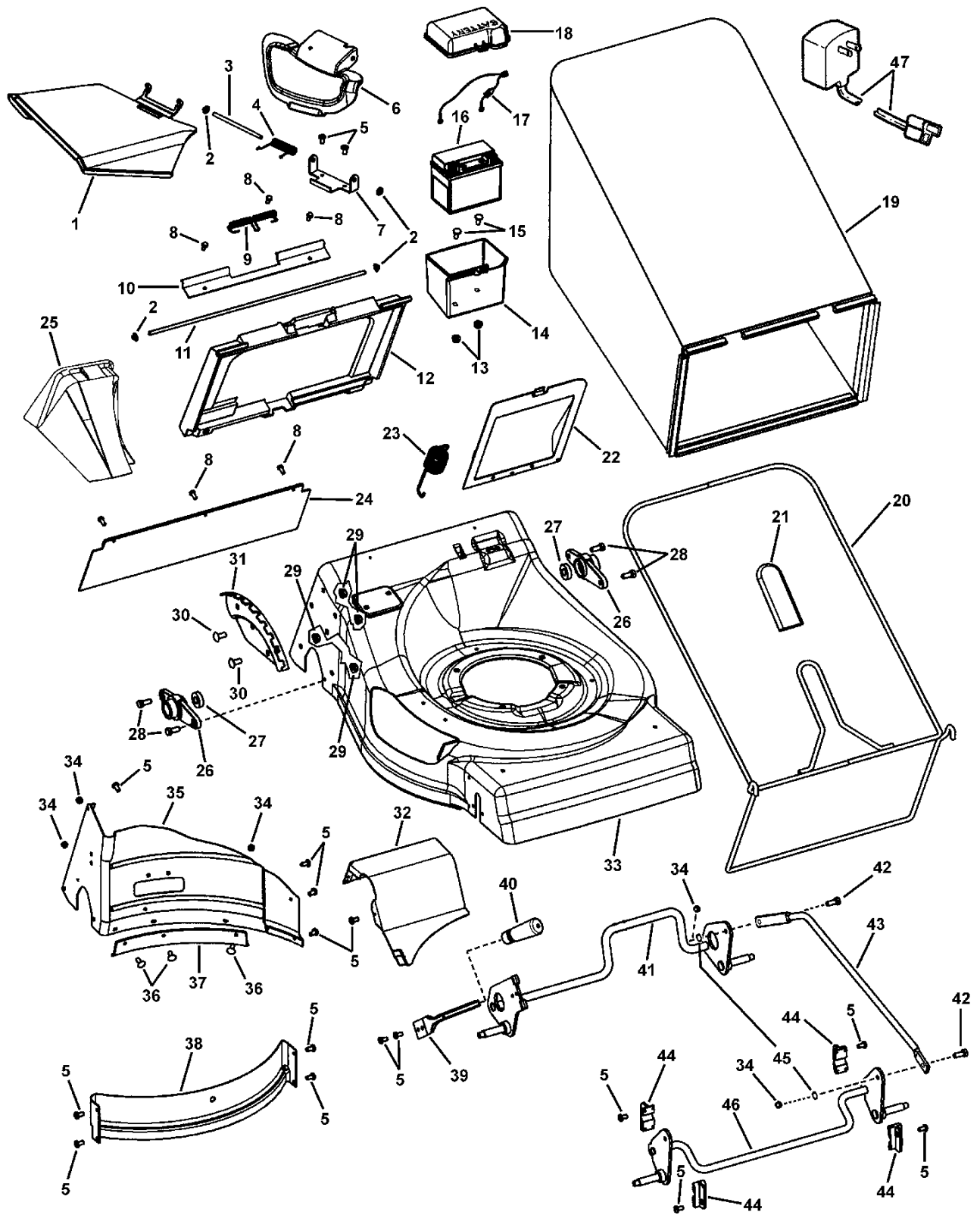


Deck Assembly (SPV21)

Item	Part No	Qty	Description	Note
1	7101490	1	CHUTE, 21" Side Discharge	
2	7091020	4	PUSHNUT, 1/4"	
3	7101471	1	ROD, Pivot, Mulch Cover	
4	722507	1	SPRING, Torsion, Chute	
5	722848	17	SCREW, 1/4-20 x 11/16" Pan Head Torx, Self-Tap	
6	7101437	1	COVER, 21" Mulching	
7	7300590D	1	BRACKET, Chute Deflector	
8	7091286	5	SCREW, #10-24 x 1/2" Hex Washer Self-Tap, SEMS	
9	722503	1	SPRING, Torsion	
10	720735	1	SPACER, Rear Door, 21"	
11	7101314	1	ROD, Pivot, Rear Door, 21" RD	
12	727785	1	DOOR, 21" Black	
13	2860694	2	NUT, 1/4-20 Hex Flange, Nyloc,YZ	
14	7101523	1	BOTTOM, Battery Box- 21" JD WBM	
15	7090803	2	BOLT, 1/4-20 x 5/8" Flat Head Square Neck, GR 5	
16	7101320	1	BATTERY KIT, 12V, 4.0AH (Includes harness 7015488)	
17	7015488	1	HARNESS, Battery	
18	7101522	1	TOP, Battery Box - 21" WBM	
19	7101304	1	GRASSBAG, 21" Rear Discharge	
20	7101303A	1	BAG FRAME- 21" RD WBM	
21	7026421	1	GRIP, Rectangular (Black)	
22	7300723D	1	TRANSMISSION COVER, Rear 21"	
23	7101434	1	SPRING, Extension, Height-of-Cut Assist	
24	7101553	1	DEFLECTOR, Rear, 21" WBM, RD	
25	720723	1	PLUG, Mulching	
26	7101418	1	BEARING HOLDER, 21" WBM,RD	
27	7078243	1	BALL BEARING, Axle	
28	7091318	4	SCREW, 5/16-18 x 3/4" Hex Head Cap, GR 5 YZ	
29	7091601	6	NUT, 5/16-18 Hex Flange Lock, GR 5, YZ	
30	7091508	2	BOLT, 5/16-18 x 3/4" Round Head Short Square Neck, GR 5, YZ	
31	7300587D	1	INDEX PLATE, Height-of-Cut, 21" WBM, RD	
32	7300591D	1	BAFFLE, Right Rear, 21" WBM, RD	
33	7300584D	1	DECK, 21" Rear Discharge	
34	7091290	3	NUT, #10-24 Hex Nyloc	
35	7300589D	1	BAFFLE, Left Rear, 21" RD, WBM	
36	7091711	3	BOLT, #10-24 x 5/8" Flat Head Square Neck, YZ	
37	7101502	1	BAFFLE, Extension, 21" RD WBM	

Footnotes:

Deck Assembly (SPV21)

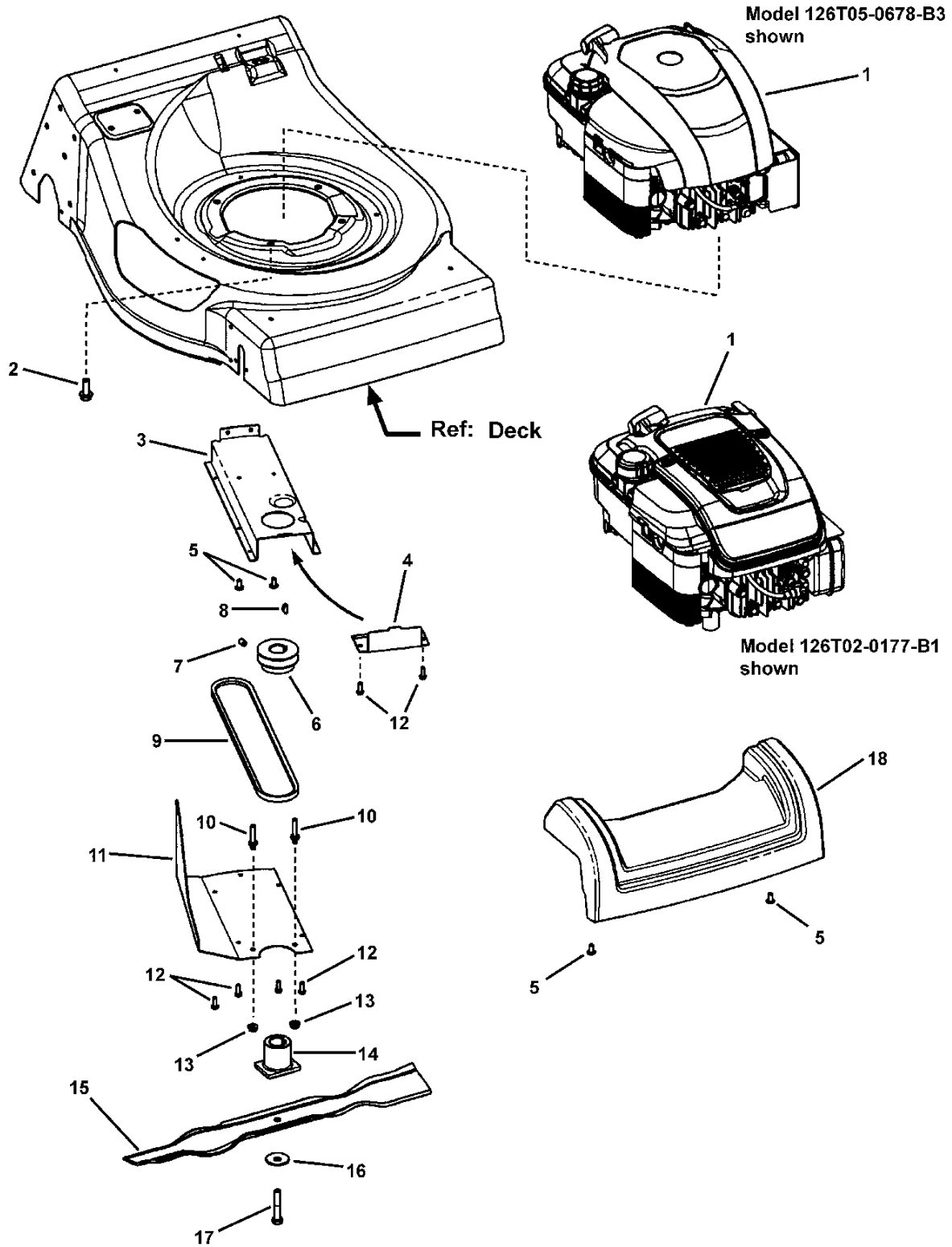


Deck Assembly (SPV21)

Item	Part No	Qty	Description	Note
38	7300585D	1	BAFFLE, Front 21" WBM, RD	
39	724970	1	LEVER, Spring Height-of-Cut	
40	724887	1	GRIP, Height-of-Cut	
41	7400203D	1	WELDMENT, Rear Crossbar 21" WBM, RD	
42	7023590	1	COTTER, 1/4" Self-Lock	
43	7400247	1	WELDMENT, Lifter Link, 21" WBM, RD	
44	7101241	4	BUSHING, Front, 21"	
45	7091892	1	PUSHNUT, 1/4 Black	
46	7400204D	1	WELDMENT, Front Crossbar 21" WBM, RD	
47	206838	1	CHARGER, Battery 120V/12V	was 7018834

Footnotes:

Engine and Blade Assembly (SPV21)



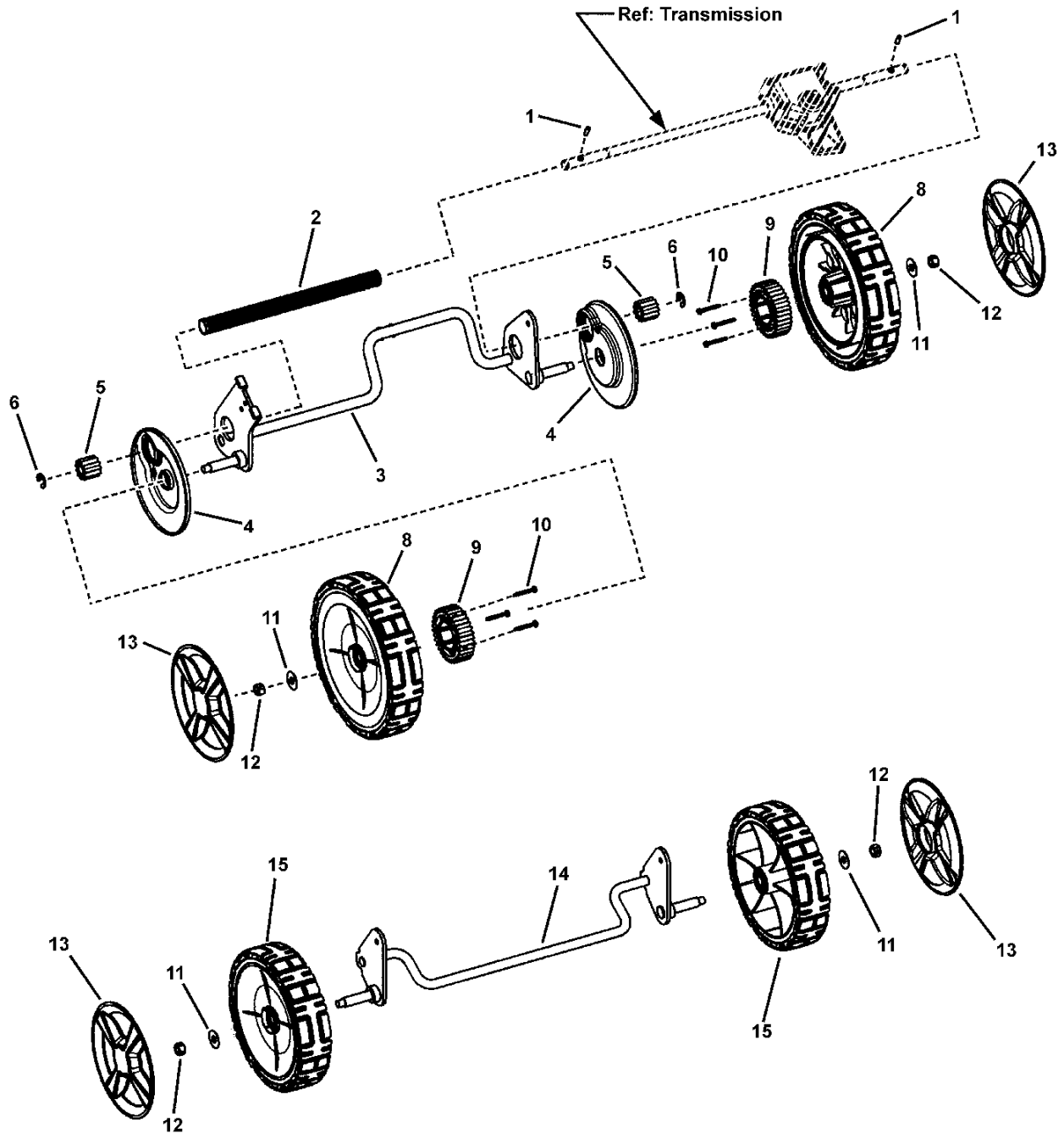
Engine and Blade Assembly (SPV21)

Item	Part No	Qty	Description	Note
1		1	* ENGINE, B&S, X-Spec Mod. 126T02-0675-B3	
1		1	* ENGINE, B&S, ES Mod. 126T05-0678-B3	
1		1	* ENGINE, B&S, X-Spec Mod 126T02-0177-B1	<i>used on SPV21675FC & SPV21675EFC</i>
2	7090324	3	SCREW, 3/8-16 x 1" Hex Washer Self-Tap	
3	7300725D	1	BELT GUARD	
4	7300724D	1	COVER, Belt	
5	7091200	4	SCREW, 1/4-20 x 1/2" Pan Head Self-Tap, Torx	
6	7100437	1	PULLEY, Engine	
7	7092086	1	SET SCREW 5/16-18 x 1/2" Hex Recess	
8	7091214	1	KEY, #HP-506 Hi-Pro	
9	7100883	1	BELT, 3L, Traction Drive, 21" Pivot Handle	<i>3L Sect., 32.86" Effective Length</i>
10	7101313	2	BELT GUIDE, Engine, 21" RD	
11	7300596D	1	COVER, Belt Guard	
12	722864	6	SCREW ,#10 x 1/2", AB, w/Washer	
13	7091584	2	NUT, 1/4-20 Hex Flange Lock, GR 5, YZ	
14	7101414	1	HUB, Blade, 21" WBM, RD, 2 Position	
15	7100242	1	BLADE, Wave, 21" Steel Deck	
16	7012063	1	WASHER, Cone	
17	7090167	1	SCREW, 3/8-24 x 2" Hex Head Cap, GR 5	
18	7101271	1	COVER, Front, 21" WBM, RD	

Footnotes:

NOTE: * Purchase engine parts from engine manufacturer dealer.

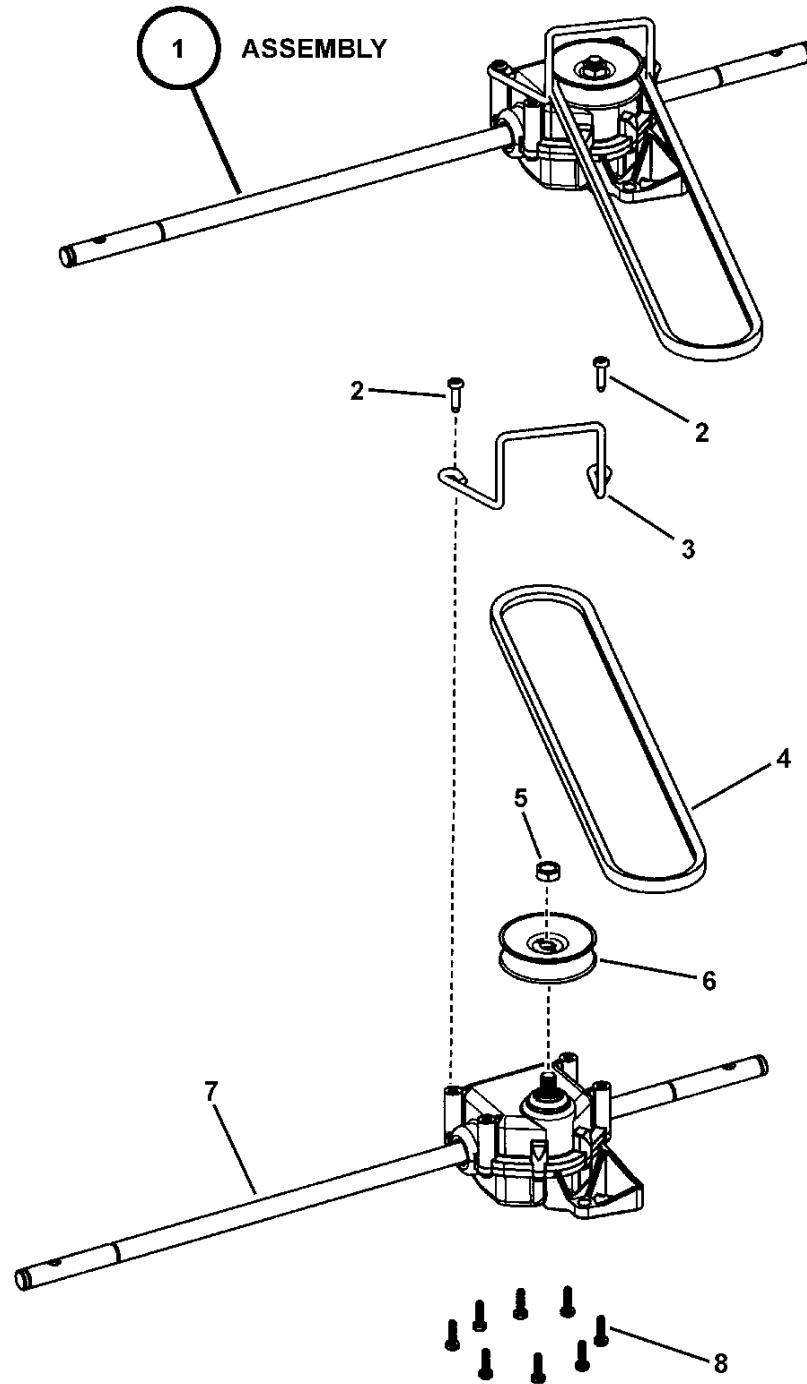
Front and Rear Wheels (SPV21)



Front and Rear Wheels (SPV21)

Item	Part No	Qty	Description	Note
1	7100861	2	PIN, Axle	
2	727782	1	SHIELD, Axle	
3	7400203D	1	WELDMENT, Rear Crossbar 21" WBM, RD	<i>also shown on Deck Assembly page</i>
4	7101367	2	DUST SHIELD, 21" WBM, RD	
5	7100820	2	GEAR, Pinion	
6	7014341	2	RETAINING RING	<i>Waldes #5133-50 or equiv.</i>
8	7500647	1	ASSY, Wheel, 9" Snapper Tread w/Bearing Charcoal Gray	<i>incl 2 ball bearings, p/n 7101380</i>
9	7100914	1	GEAR, External Wheel	
10	7091196	6	SCREW, #8 x 1-1/4 Hi-Lo, Hex Washer Self-Tap	
11	722604	4	WASHER, 1" OD x .387 ID, FLAT	
12	7091585	4	NUT, 3/8-16 Hex Center Lock, YZ	
13	7101350	4	HUBCAP, 8" & 9" Wheel Spoked- Snapper Cool Gray	
14	7400204D	1	WELDMENT, Front Crossbar, 21" WBM, RD	
15	7500540	2	ASSY, Wheel, 8 x 2 Idle, Snapper Tread, Charcoal Gray	

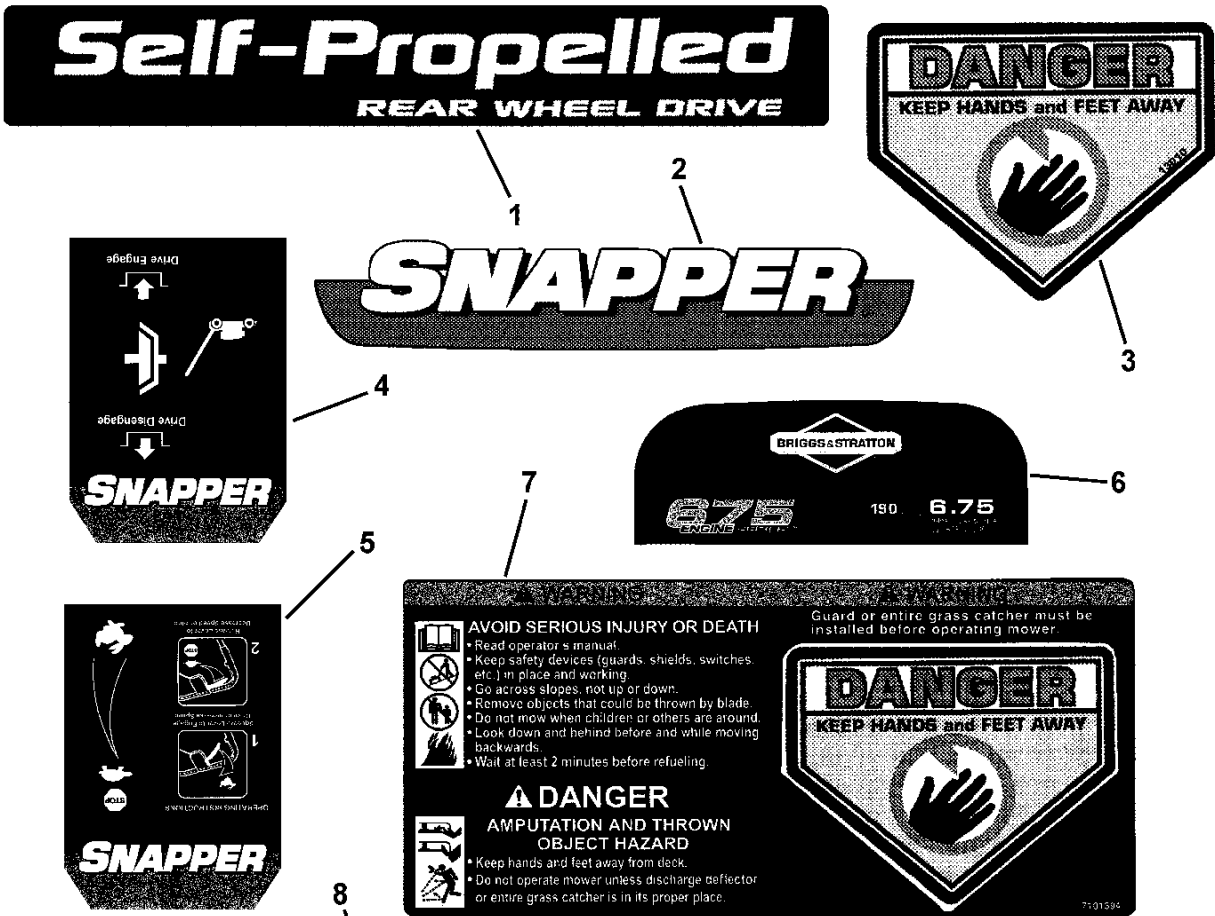
Footnotes:



Transmission (21")

Item	Part No	Qty	Description	Note
1	--	1	ASSY, TRANSMISSION, 21 (not sold as an assembly)	
2	7091195	2	SCREW, #10-16 x 3/4" Pan Head Self-Tap, Combo	
3	7100863	1	BELT GUIDE, Transmission	
4	7100883	1	BELT, Traction Drive, 21" Pivot Handle	<i>Section 3L, 32.86 effective length</i>
5	1960251	1	NUT, 3/8-16 Hex Center Lock Jam, Black	
6	7100240	1	PULLEY, Trans Var Speed, LC WBM	
7	7101245	1	TRANSMISSION, 21" WBM, RD, Snapper	
8	7900032	8	SCREW, 7mm x 1 x .550 AB Point	

Footnotes:

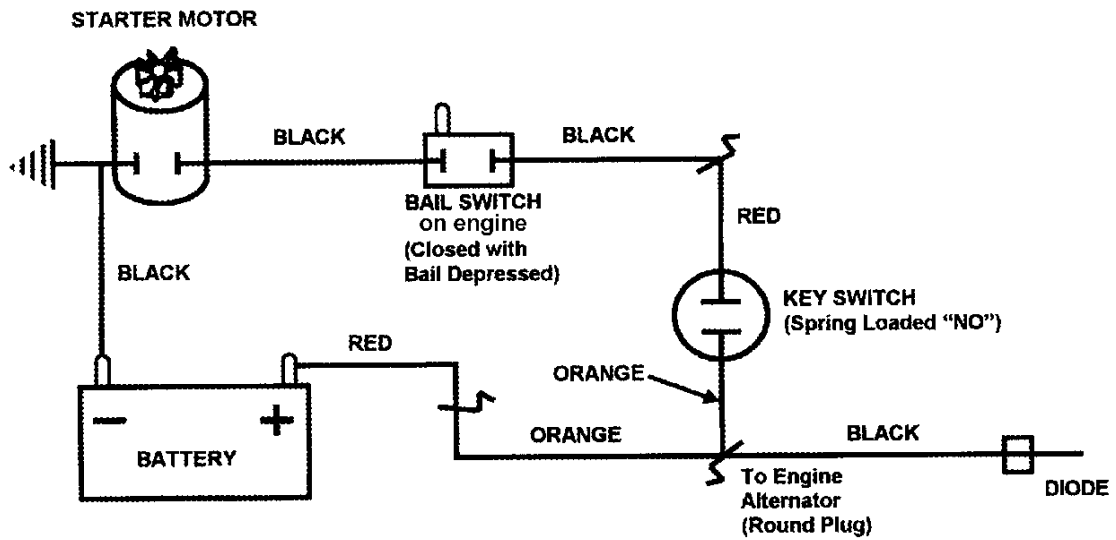
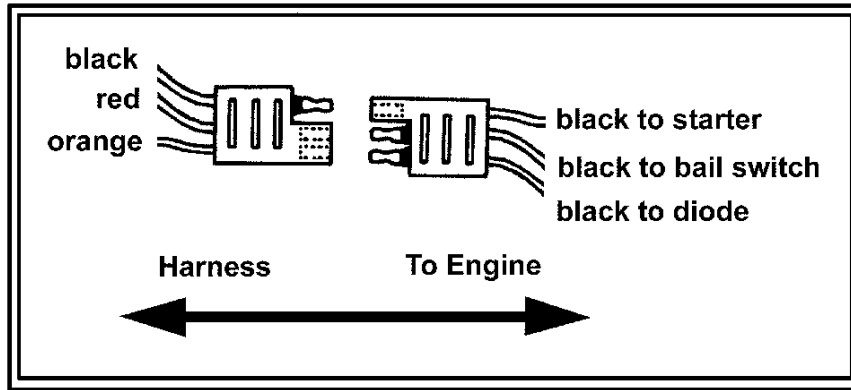


<p>⚠ AVERTISSEMENT</p> <p>POUR ÉVITER DES BLESSURES GRAVES VOIRE MORTELLES</p> <ul style="list-style-type: none"> • Lire le manuel d'utilisation. • Maintenir en place et en état de marche les dispositifs de sécurité (protections, écrans, commutateurs, etc.) • Passer latéralement sur les pentes, pas en montant ou descendant. • Enlever les objets qui peuvent être projetés par la lame. • Ne pas tondre s'il y a des enfants ou des badauds aux alentours. • Regarder en bas et derrière avant et pendant une marche arrière. • Patienter au moins 2 minutes avant de refaire le plein. • La protection ou le sac de ramassage doivent être installés avant de démarrer la tondeuse. 	<p>⚠ WARNING</p> <p>AVOID SERIOUS INJURY OR DEATH</p> <ul style="list-style-type: none"> • Read operator's manual. • Keep safety devices (guards, shields, switches, etc.) in place and working. • Go across slopes, not up and down. • Remove objects that could be thrown by blade. • Do not mow when children or others are around. • Look down and behind before and while moving backwards. • Wait at least 2 minutes before refueling. • Guard or entire grass catcher must be installed before operating mower.
<p>⚠ DANGER</p> <p>RISQUE D'AMPUTATION ET OBJETS PROJÉTÉS</p> <ul style="list-style-type: none"> • Garder mains et pieds à l'écart de la plate-forme de coupe. • Ne pas utiliser la tondeuse si le déversoir ou tout le bac à herbe pas bien en place. 	<p>⚠ DANGER</p> <p>AMPUTATION AND THROWN OBJECT HAZARD</p> <ul style="list-style-type: none"> • Keep hands and feet away from deck. • Do not operate mower unless discharge deflector or entire grass catcher is in its proper place.

Decals (21")

Item	Part No	Qty	Description	Note
1	7101540	1	DECAL, Front Cover, 21" RD, Snapper	
2	7102153	1	DECAL, Briggs Engine, Snapper	
3	7013010	1	DECAL, Danger, Cut Finger	
4	7101429	1	DECAL, Control Head, VS, Snapper, FC	
5	7101536	1	DECAL, Control Head, VS, Snapper	
6	7102172	1	DECAL, Engine, TP, 675, Snapper, FC	
7	7101394	1	DECAL, Warning, Rear Discharge Door	
8	7101671	1	DECAL, WB Safety, French/English	

Footnotes:



WIRING SCHEMATIC FOR 6.75 HP BRIGGS ENGINE

Wiring Schematic

Item	Part No	Qty	Description	Note
	7101504	1	WIRE HARNESS, Snapper, RD 21"	

Footnotes:

Parts Manual for

SNAPPER®

**21" VARIABLE SPEED
REAR DISCHARGE MOWERS**

IT IS THE POLICY OF BRIGGS & STRATTON CORP TO IMPROVE ITS PRODUCTS WHENEVER IT IS POSSIBLE AND PRACTICAL TO DO SO. WE RESERVE THE RIGHT TO MAKE CHANGES OR ADD IMPROVEMENTS AT ANY TIME WITHOUT INCURRING ANY OBLIGATION TO MAKE SUCH CHANGES ON PRODUCTS

Briggs & Stratton Yard Power Products Group

535 Macon Road
McDonough, GA, 30253 U.S.A.
800-935-2967

www.snapper.com

Copyright © 2008 Briggs & Stratton Corporation
Milwaukee, WI USA. All Rights Reserved

**Manual No. 7102509
Revision A, 4/23/2008
TP 400-5395-A-WB-N**