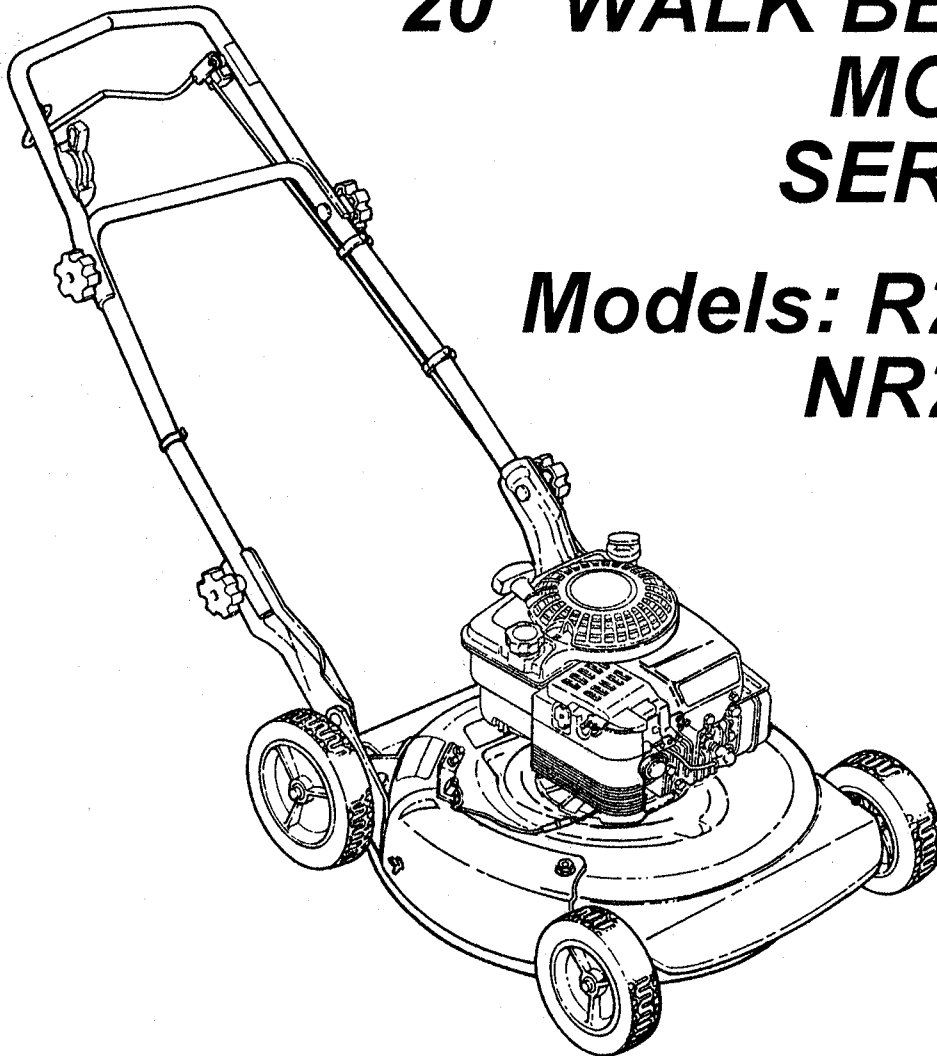


Safety Instructions & Operator's Manual for

SNAPPER®

**20" WALK BEHIND
MOWER
SERIES 0**

**Models: R20500
NR20500**



Thank you for buying a SNAPPER product! Before operating your mower, read this manual carefully and pay particular attention to the IMPORTANT SAFETY INSTRUCTIONS on Page 2. Remember that mowers and all power equipment can be dangerous if used improperly and keep in mind that safety requires careful use in accordance with the instructions and common sense.

SNAPPER® McDonough, GA., 30253 U.S.A.

MANUAL No. 2-8483 (I.R. 11/94)

IMPORTANT SAFETY INSTRUCTIONS

WARNING: Failure to comply with the following instructions may result in serious injury to the operator or other persons. The owner of the mower must understand these instructions and, furthermore, must allow only persons who understand these instructions to operate mower. Each person operating the mower must be of sound mind and body and must not be under the influence of any substance which might impair vision, dexterity, or judgement. If you have any questions pertaining to your mower which your dealer cannot answer to your satisfaction, call or write the Customer Service Department at SNAPPER, McDonough, Georgia, 30253. Phone: (404) 954-2500.

TRAINING

1. Read this Manual carefully and question your dealer if something is not clear. Should the dealer be unavailable or unable to answer to your satisfaction, write or call our Customer Service Department at the factory. Be thoroughly familiar with the controls and proper use of the equipment.
2. DO NOT allow children in yard when mower is operated.
3. DO NOT allow pre-teenage children to operate mower.
4. Allow only responsible teenagers with mature judgement to operate mower and only under close supervision.
5. Keep the area clear of all persons, particularly small children, and pets.

PREPARATION

1. Never operate mower without proper guards, plates, safety switches, or other safety protective devices in place and properly connected. Inspect to determine that these safety devices are installed properly, are in good repair, and operate properly. If the condition or operation of these devices are questionable, they must be repaired or replaced before using the mower.
2. Thoroughly inspect the area where the mower is to be used and remove all stones, sticks, wire, bones and other foreign objects. Also note the location of holes, stumps, and other possible hazards.
3. DO NOT operate mower when barefoot or wearing open sandals. Always wear substantial footwear and long pants.
4. Fill gasoline tank before starting engine. Use approved gasoline container. DO NOT smoke near open gasoline container. DO NOT fill gasoline tank indoors or when engine is running. Allow engine to cool for at least ten minutes before refilling. Wipe off any spilled gasoline before starting engine. DO NOT run engine indoors.
5. Make sure that traction drive clutch control is disengaged before starting engine.
6. Never attempt to make a cutting height adjustment while the engine is running.
7. When mowing over rough ground or in tall grass, mower must be set at highest cutting position.
8. Mow only in daylight or in good artificial light.
9. Never operate mower in tall grass. Always be sure of your footing; keep a firm hold on the handle and walk; never run!
10. DO NOT operate mower without the grass bag, side chute or plug in place.

OPERATION

1. DO NOT change engine governor settings or overspeed engine.
2. DO NOT put hands or feet near or under rotating parts. Keep clear of discharge area while engine is running.
3. Stop engine when crossing gravel drives, walks, or roads, and under any conditions where thrown objects might be a hazard.
4. After striking a foreign object or if mower vibrates abnormally, stop the engine, disconnect and secure spark plug wire. Inspect the mower for any damage and repair the damage.
5. Stop blade and engine whenever you leave the operating position behind the handle for any reason, including clearing grass, emptying grass bag and making any adjustments, repairs, or inspections.
6. Before cleaning, repairing or inspecting, make certain blade and all moving parts have stopped. Disconnect and secure spark plug wire away from plug to prevent accidental starting.
7. Stop engine and wait until the blade comes to complete stop before removing grass bag and/or clearing grass.
8. Mow across slopes, never up-and-down. Exercise CAUTION when changing directions on slopes. DO NOT mow steep slopes or other areas where stability or traction is in doubt.

MAINTENANCE AND STORAGE

1. Keep all nuts, bolts, and screws tight to be sure mower is in safe operating condition.
2. Never store mower with gasoline in tank inside of a building where fumes may reach an open flame or spark. Allow engine to cool before storing in any enclosure.
3. To reduce fire hazard, keep mower free of grass, leaves or excessive grease.
4. Check grass bag assembly frequently for wear or deterioration. Replace with new bag if loose seams or tears are evident. Replace slider or bag adapter if broken or cracked.
5. Have your mower inspected and serviced each year by an authorized Snapper dealer. Determine if any additional devices are available which might upgrade the safety of your mower.
6. Factory specified Snapper replacement parts must be used to assure adequate protection against injury.

FAMILIARIZATION

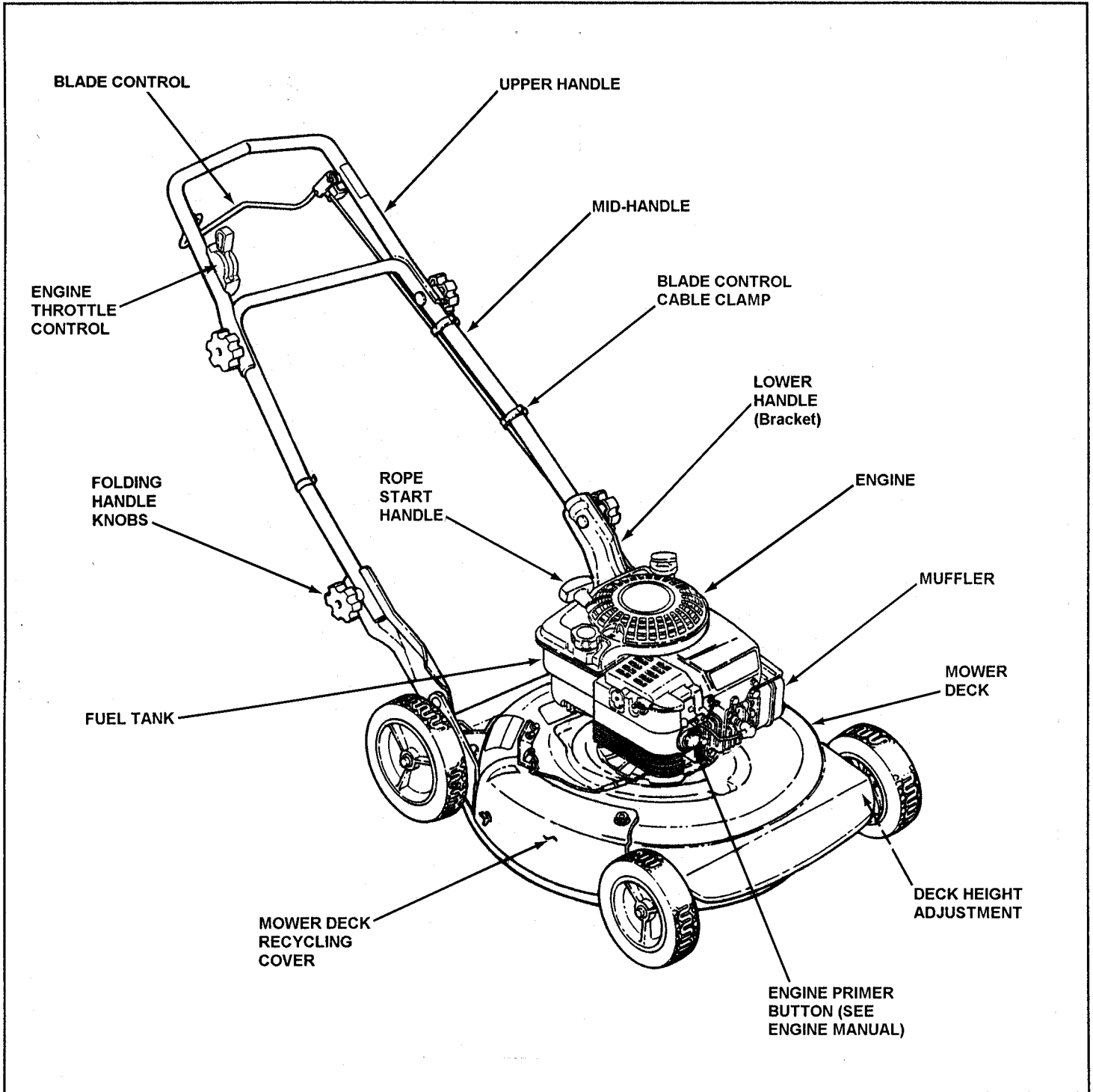


FIGURE 1

INTRODUCTION

This manual has been prepared for the operators of the SNAPPER Series 0, 20" WALK BEHIND MOWERS. Its purpose, aside from recommending operating and routine service requirements, is to promote safety through the use of accepted operating practices. **Read, Understand and Follow** the SAFETY PRECAUTIONS on Page 2 of this manual and all safety messages on the mower and engine before operating the machine.

NOMENCLATURE

The nomenclature drawing above (Figure 1) shows the essential parts of the SNAPPER Series 0, 20" WALK BEHIND MOWERS. It is recommended that all operators of this equipment become thoroughly familiar with the controls, parts and operation of this machine before operating. Specific details involving the engine are found in the separate Engine Owner's Manual. Study these manuals before operating and keep both handy for future reference.

OPERATING INSTRUCTIONS

BEFORE OPERATING:

Be thoroughly familiar with all controls and how to use them before operating your mower. **Know beforehand how to STOP the engine and mower blade in preparation for possible emergencies.**

STOPPING

- **ENGINE: STOP ENGINE** by releasing the BLADE CONTROL. See Figure 2.
- **MOWER BLADE: STOP MOWER BLADE** by releasing the BLADE CONTROL.

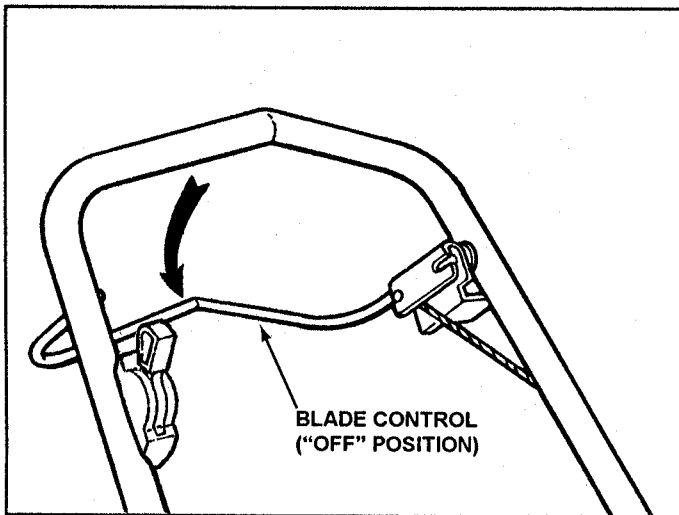


FIGURE 2

PRE-START CHECK LIST

Make the following checks and perform the service as required before each startup.

- **CLEAN EXTERIOR SURFACES** of cutting deck and engine of any accumulation of dirt, grass, oil, etc. Keep engine air intake screens and cooling fins clear at all times.
- **CHECK ENGINE OIL** and add oil as needed to bring level up to (but not over) the full mark. See Figure 3.

OIL LEVEL CHECK

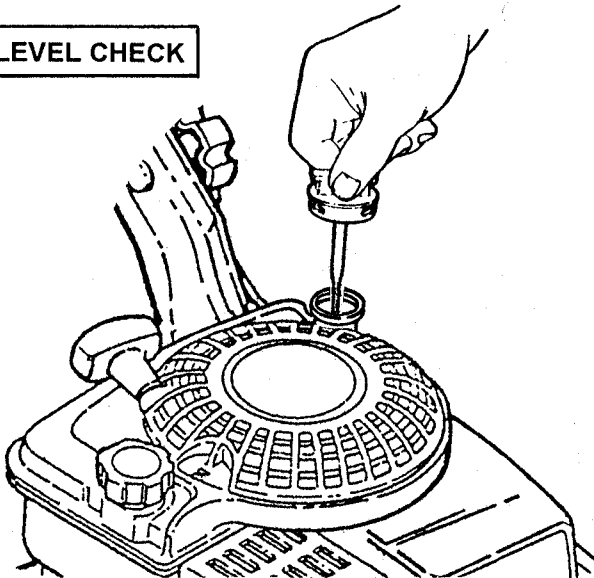


FIGURE 3

- **CHECK BLADE CONTROL** to insure it works freely.
- **CHECK CUTTING HEIGHT.** Adjust as required.
- **CHECK DEFLECTOR** or **RECYCLING COVER** to insure that it is tightened securely.
- **CHECK FUEL LEVEL** in tank after pushing mower outdoors where fumes are safely dissipated.

STARTING ENGINE

1. Move the **THROTTLE LEVER** to the **"START"** position.
2. Push the **PRIMER BUTTON "IN"** 3 times if starting the engine cold (See Engine Manual).
3. Hold the **BLADE CONTROL** firmly against the upper handle. See Figure 4.

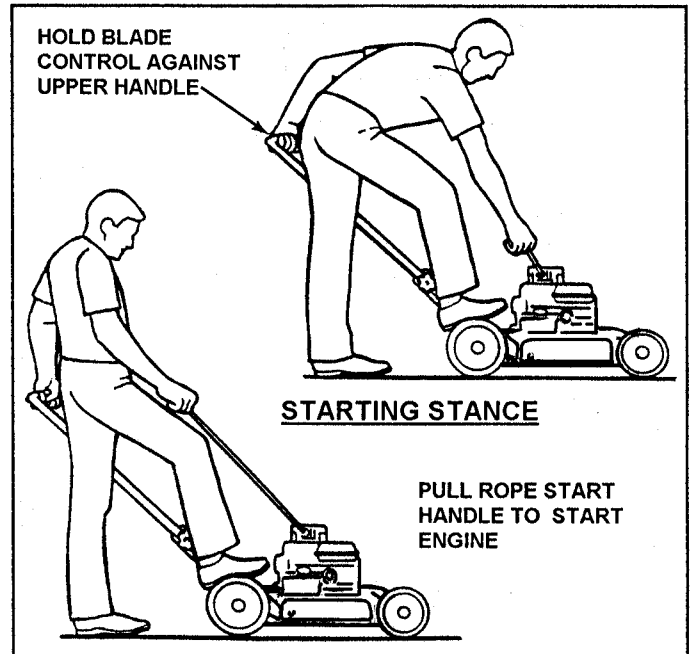


FIGURE 4

Pull the **ROPE START HANDLE** until the engine starts. Guide rope slowly back into engine shroud to prevent rope breakage which could result if the rope handle is allowed to snap back. Continue holding the **BLADE CONTROL** while moving around behind the **UPPER HANDLE** to the Operator's position.



WARNING



Be certain to read Engine Owner's Manual before starting engine. Fill fuel tank with clean, fresh unleaded gasoline. DO NOT rely on old fuel that may have been left in tank.

OPERATING INSTRUCTIONS

CUTTING HEIGHT ADJUSTMENT

Positioning the AXLES in the lowest of the four adjustment positions in the Wheel Brackets raises the Cutting Deck to the highest cutting height which is about 3". The top position provides the lowest cut of about 1". Repositioning into the next height of cut position changes cutting height about 3/4ths of an inch. See Figure 5.

FRONT AXLE SHOWN

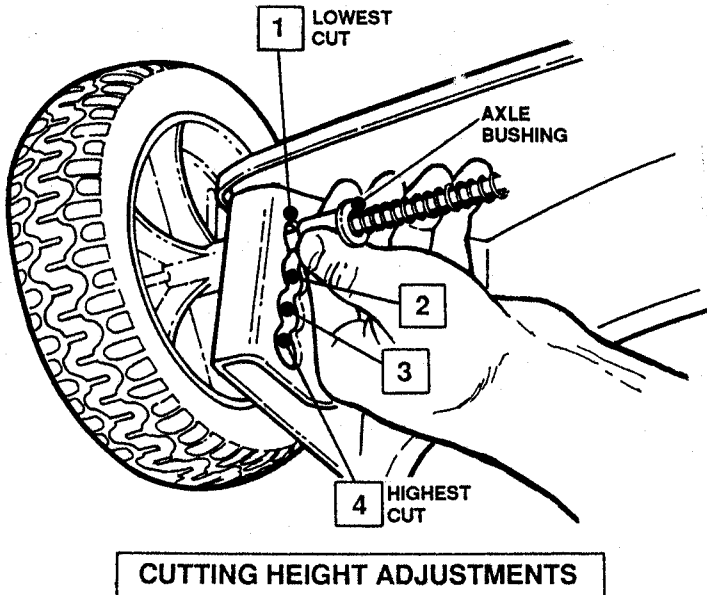


FIGURE 5

Readjust cutting height with engine shut off as follows: To reposition FRONT AXLE, raise front wheels off the ground, then pull in on one of the spring-loaded bushings until it clears the bracket. Move to the desired height of cut position and release the bushing. Repeat procedure on bushing on other side of axle. When repositioning REAR AXLE, lift handles to raise one of the rear wheels off ground, then change axle position using same procedure as used on FRONT AXLE. Repeat same procedure on other rear wheel. **NOTE:** Make sure axle bushings are firmly engaged and in the same height of cut position in the brackets on both sides of axle.



WARNING



Never attempt to adjust the mowers cutting height while the engine is running!

RECYCLING MOWER OPERATION

For best results when recycling, set the cutting height in the highest blade setting and mow with the ENGINE THROTTLE LEVER set at fastest speed setting. Push the mower at a slow ground speed to allow fine chopping of the clippings or leaves. The grass must be dry. If the grass is extremely dense, set the front height adjusters one notch lower than the rear adjusters to raise the front of the deck. Experiment with deck settings to achieve best recycling.

SERVICE PROCEDURE

Your SNAPPER mower requires very little service. However, it is important that the engine be serviced at the intervals specified in the Engine Manual furnished with your mower.

To retain the integrity of your mower, only use genuine SNAPPER Replacement Parts.

By returning your mower to an authorized SNAPPER Dealer on a yearly basis for inspection and addition of any new devices to upgrade your mower, the reliability of the unit's functions will be assured.

Check the yellow pages under LAWN MOWERS for the nearest SNAPPER Dealer. Always mention the model and serial number of your mower when contacting the dealer for information, parts, or service.

LUBRICATION

FIRST 5 HOURS (NEW UNIT)

- ENGINE: Change oil in crankcase. Refer to Engine Owner's Manual and Changing Engine Oil Instructions as follows:
 1. Disconnect spark plug wire.
 2. Drain gasoline from tank.
 3. Tilt mower onto its LEFT side and remove the OIL PLUG as shown in Figure 6.

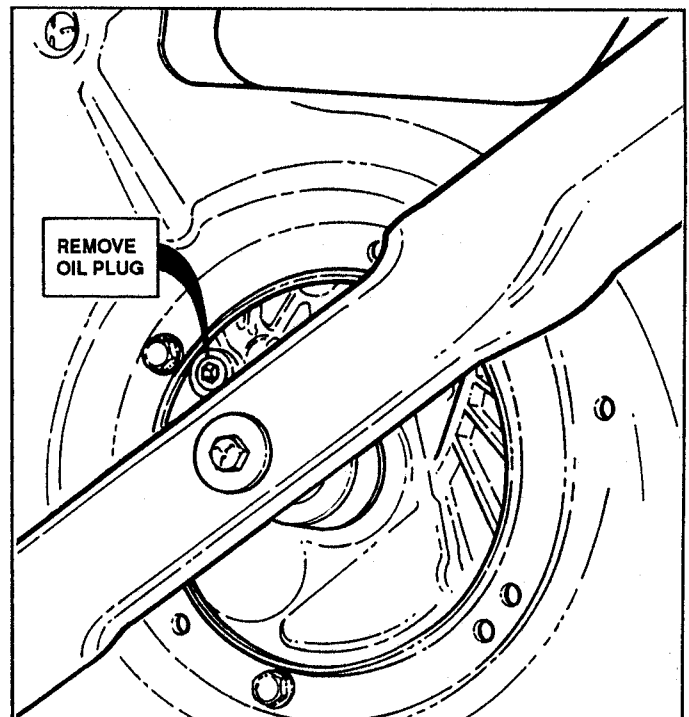


FIGURE 6

SERVICE

CUTTING BLADE SERVICE

Check at frequent intervals to make sure the Blade is securely tightened and that it is in good condition.

Replace Blade if badly chipped, bent, out of balance, or as soon as notch starts wearing in the tip between the flat surface and upturned lift as depicted in Figure 7. This type wear pattern occurs more rapidly under sandy soil condition.

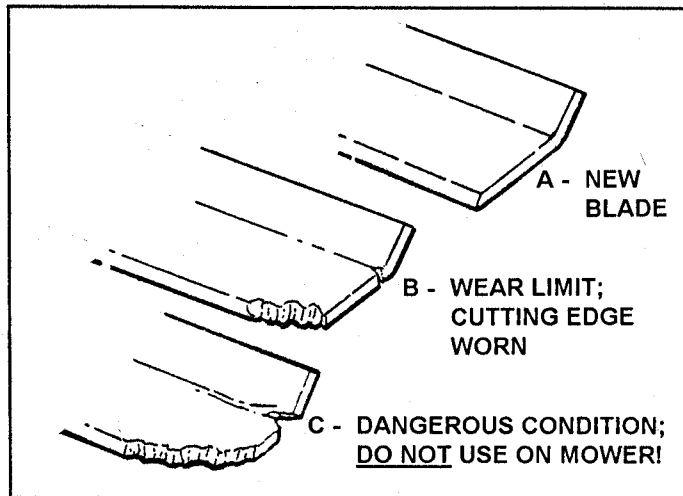


FIGURE 7

! DANGER !

Never operate the mower with blade worn to the extent shown in View C as the tip could fly off, causing personal injury or property damage.

Sharpen Blade when the cutting edges become dull if the blade is in otherwise good condition. When dull, the grass cut ends will be ragged and usually turn brown soon after mowing. For best results, remove the blade and sharpen it on a grinding wheel at an angle of 22 to 28 degrees. The cutting surface should extend in about 4 1/4" from the tips. Check the blade after sharpening to determine that it is still balanced. It will cause excessive vibration if unbalanced. See Figure 8.

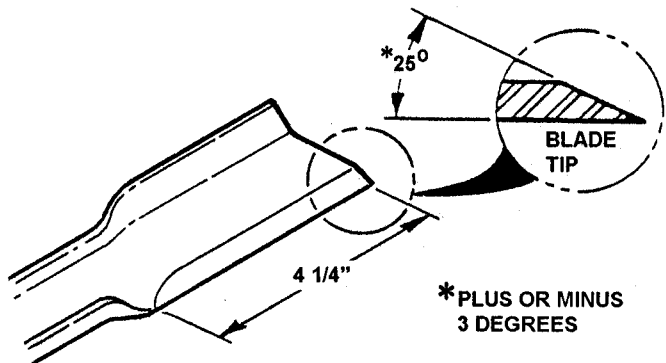


FIGURE 8

! CAUTION !

Avoid cutting yourself on cutting blade!
Protect your hands from cuts while handling blade.

Reinstall sharpened blade and components as shown in Figure 9.

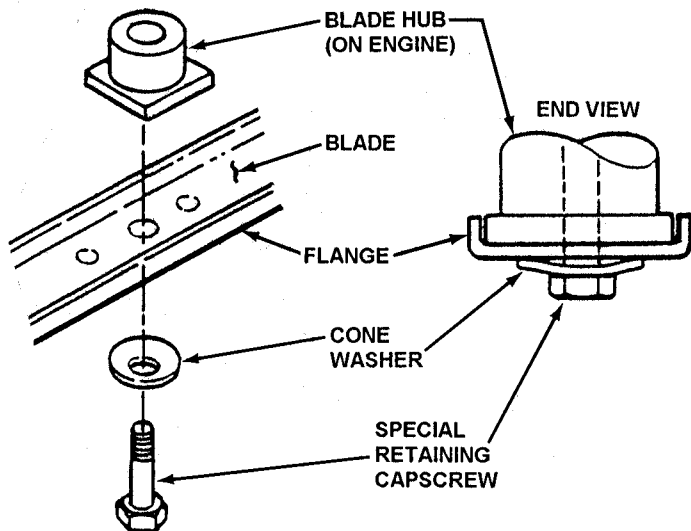


FIGURE 9

Tighten the special Blade Retaining Capscrew to 30 FOOT POUNDS TORQUE.

STORAGE PROCEDURE

Refer to the Engine Manual for directions regarding engine storage preparations.

Prepare the mower for "end of season" storage as follows:

1. Remove fuel from fuel tank. Run engine until carburetor bowl is empty.

! CAUTION !

Disconnect the spark plug wire before any other preparations are made!

2. Tape all openings closed to prevent spraying water into exhaust or air intakes during washing.
3. Stand the mower on its rear wheels and thoroughly clean the underside of the deck. Scrape away any accumulation of grass with a putty knife and/or wire brush, then use a hose to wash down the underside of deck and allow to dry.
4. Lubricate all exposed metal with a light coating of oil to prevent corrosion.

SERVICE

5. Drain oil and refill with new oil.
6. Change air filter.
7. Store the mower in a shed or other dry area, protected from weather.

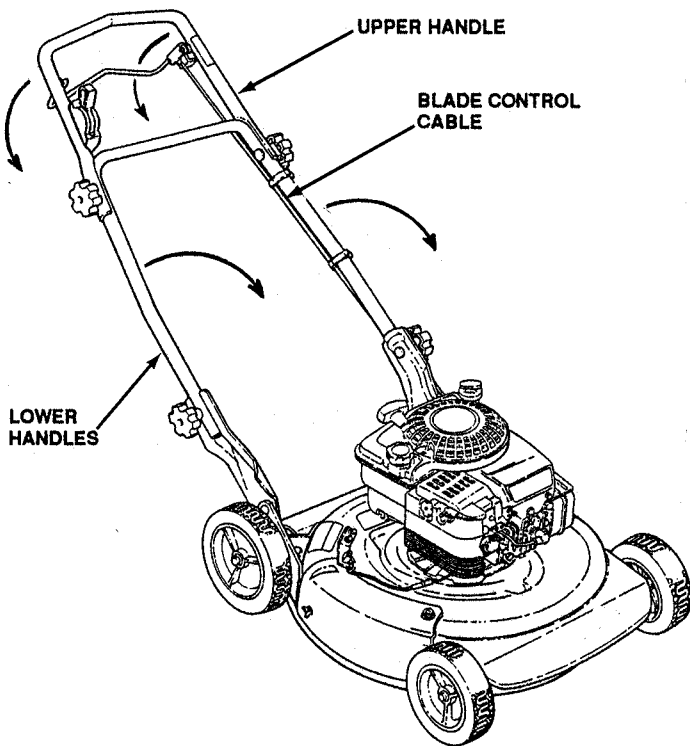


FIGURE 10

NOTE!

Handles may be folded for storage. To fold handles, loosen all four (4) knobs, push lower handles forward over mower, then pull upper handle back over mower. Use care not to "kink" the Blade Control Cable. See Figure 10.

SNAPPER®

20" WALK BEHIND MOWERS SERIES 0 Models: R20500 & NR20500

SNAPPER WALK BEHIND MOWER ACCESSORIES

PART NO.	DESCRIPTION	MODELS USED ON
6-1410	GRASS CATCHER (w/Adapter) (Kwik-N-Ezy)	19" SERIES 5, 7, 9 & 20" SERIES 0
6-0422	GRASS CATCHER (Slider Door)	19" SERIES 0, 1
6-0738	GRASS CATCHER (Kwik-N-Ezy)	19" SERIES 0, 1
6-1166	GRASS CATCHER (Kwik-N-Ezy)	19" (OPP Models Only!)
6-1029	RECYCLING/MULCHING KIT (Cover)	19" & 20" MODELS
6-1033	RECYCLING/MULCHING KIT (Plug)	19" & 20" MODELS
6-0450	SNAPPERIZER KIT	19" & 20" MODELS
6-0956	SIDE DISCHARGE CHUTE KIT	19" & 20" MODELS
6-1152	CROSS BAR KIT (Grass Catcher)	19" (OPP Models Only!)

SNAPPER®

2 YEAR LIMITED WARRANTY

For two (2) years from purchase date for the original purchaser's residential, non-commercial use, SNAPPER, through any SNAPPER dealer will replace, free of charge, any part or parts found upon examination by the factory at McDonough, Georgia, to be defective in material or workmanship or both.

For ninety (90) days from purchase date for the original purchaser's commercial, rental, or other non-residential use, SNAPPER, through any SNAPPER dealer will replace, free of charge, any part or parts found upon examination by the factory at McDonough, Georgia, to be defective in material or workmanship or both.

All transportation costs incurred by the purchaser in submitting material to a SNAPPER dealer for replacement under this warranty must be paid by the purchaser.

This warranty does not apply to engines and their components, or, Peerless® Transaxles, as these items are warranted separately by their manufacturers. This warranty does not apply to parts that have been damaged by accident, alteration, abuse, improper lubrication, normal wear, or other cause beyond our control.

There is no other express warranty.

Implied warranties, including those of merchantability and fitness for a particular purpose, are limited to two (2) years from purchase date for the original purchaser's residential, non-commercial use [ninety (90) days from purchase for the original purchaser's commercial, rental or other non-residential use], and to the extent permitted by law, any and all implied warranties are excluded. This is the exclusive remedy. Liabilities for consequential damages, under any and all warranties are excluded.

Some states do not allow limitations on how long an implied warranty lasts, or do not allow the exclusion or limitation of incidental or consequential damages, so the above limitation or exclusion may not apply to you.

This warranty gives you specific legal rights, and you may also have other rights which vary from state to state.

WARNING: THE USE OF REPLACEMENT PARTS OTHER THAN GENUINE SNAPPER PARTS MAY IMPAIR THE SAFETY OF SNAPPER PRODUCTS AND WILL VOID ANY LIABILITY AND WARRANTY BY SNAPPER ASSOCIATED WITH THE USE OF SUCH PARTS.

IMPORTANT: Please fill out the attached SNAPPER Product Registration Card immediately and mail to:
SNAPPER, McDONOUGH, GEORGIA 30253

SNAPPER® McDonough, GA., 30253 U.S.A.