

Parts Manual for
SNAPPER®

21" STEEL DECK WALK BEHIND MOWER
"MR" SERIES 18

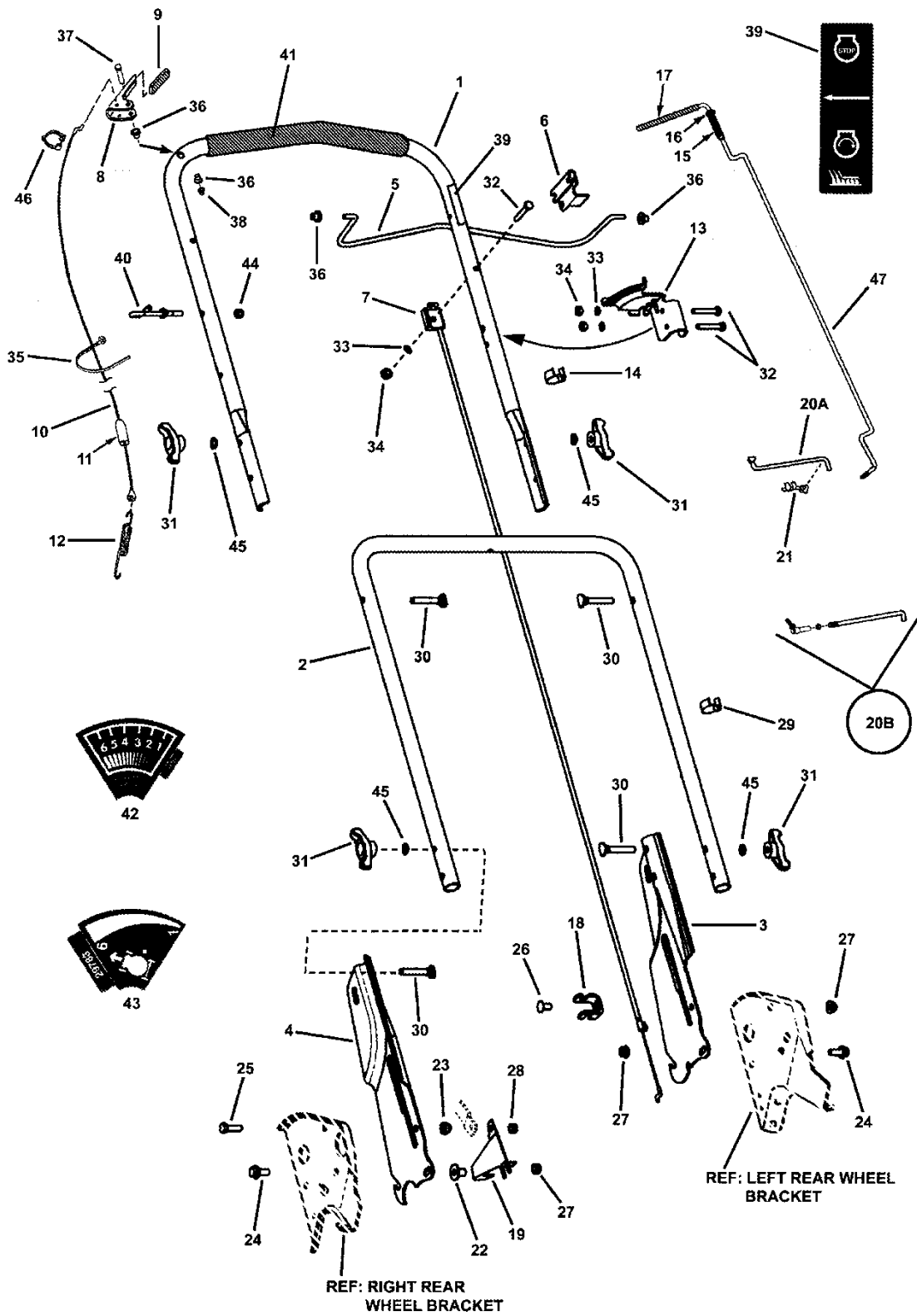
PUSH MODELS	PROPELLED MODELS
MR216518B	EMRP216518B MRP216518B



SNAPPER® McDonough, GA, 30253 U.S.A.

PAGE	GROUP
4	HANDLES AND CONTROLS
8	CUTTING DECK, BLADE
10	FRONT WHEEL BRACKET
12	REAR WHEEL BRACKETS, LATCHES
14	DRIVE SYSTEM SELF-PROPELLED
18	TRANSMISSION (DIFFERENTIAL)
20	FRONT WHEELS
22	REAR WHEELS
24	SIDE CHUTE, ADAPTER
26	GRASS BAG ACCESSORY
28	DECALS
30	THATCHERIZER ASSEMBLY
32	SNAPPERIZER ACCESSORY
34	RECYCLING KITS ACCESSORY

HANDLES AND CONTROLS

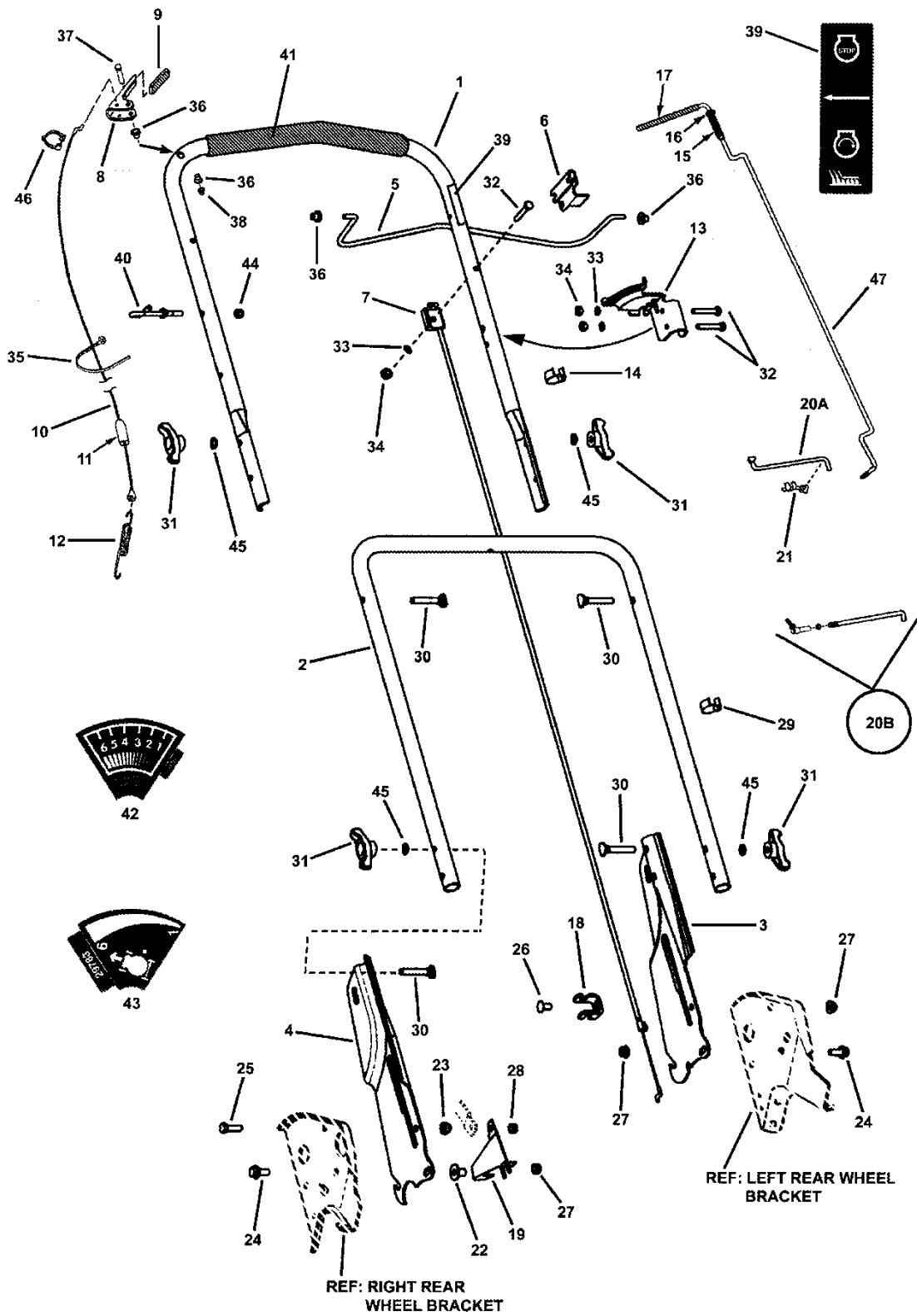


HANDLES AND CONTROLS

Item	Part No	Qty	Description	Note
1	7074411	1	HANDLE, Upper	<i>used on All</i>
2	7074156	1	HANDLE, Middle	<i>used on All</i>
3	7033985	1	HANDLE, Lower LH (Adjustable)	<i>used on All</i>
4	7033986	1	HANDLE, Lower RH (Adjustable)	<i>used on All</i>
5	7074418	1	BAIL, OPC Control	<i>used on All</i>
6	7034872	1	CLIP, Zone Control	<i>used on All</i>
7	7034608	1	CABLE, Blade Control (46.75/5.38 length)	<i>used on All</i>
8	7074473	1	HANDLE, Wheel Drive	<i>used on Self Propelled</i>
9	7028407	1	GRIP, Wheel Drive Handle (International Symbol)	<i>used on Self Propelled</i>
10	7034604	1	CABLE, Clutch Pull (Z-bend, 41.25" long)	<i>used on Self Propelled</i>
11	7012121	1	COVER, Vinyl	<i>used on Self Propelled</i>
12	7012122	1	SPRING, Clutch	<i>used on Self Propelled</i>
13	7038478	1	SECTOR, Speed '77VP	<i>used on Self Propelled</i>
14	7024641	2	WIRE TIE, 1.29" Long (Black)	<i>used on All</i>
15	7012093	1	SPRING, Speed Control	<i>used on Self Propelled</i>
16	7090188	1	WASHER, 3/8" Flat	<i>used on Self Propelled</i>
17	7023801	1	GRIP, Speed Control Handle	<i>used on Self Propelled</i>
18	7032830	1	ANCHOR, Lever	<i>used on Self Propelled</i>
19	7032408	1	GUIDE, Lower V-Belt	<i>used on Self Propelled</i>
20A	7023790	1	ROD, Transfer	<i>used on Self Propelled</i>
20B	7051698	1	ASSY., Transfer Rod (Incl. indented items below)	<i>used on EMRP216518B</i>
--	7015752	1	LINK, Transfer	<i>used on EMRP216518B</i>
--	7015753	1	BALL JOINT, 1/4-28	<i>used on EMRP216518B</i>
--	7090095	1	NUT, 1/4-28 Hex	<i>used on EMRP216518B</i>
21	7010937	1	CLIP, Transfer Rod 1/4"	<i>used on Self Propelled</i>
22	7090895	1	T-NUT, 5/16-18	<i>used on Self Propelled</i>
23	7012114	1	BUSHING, Differential	<i>used on Self Propelled</i>
24	7090595	2	BOLT, 5/16-18 x 3/4" Hex Flange Lock GR5	<i>used on All</i>
25	7090238	1	SCREW, 5/16-24 x 1" Hex Head Cap GR5	<i>used on All</i>
26	7090799	1	BOLT, 5/16-18 x 5/8" Short Neck Carriage GR5	<i>Was 91026 (used on All)</i>
27	7091601	8	NUT, 5/16-18 Hex Flange Lock, GR 5	<i>Was 91070 (used on All)</i>
28	7091606	1	NUT, 5/16-24 Hex Center Lock GR5	<i>Was 91074 (used on Self Propelled)</i>
29	7023813	1	CLIP, Cable/Wiring	<i>used on All</i>
30	7091740	4	SCREW, 5/16-18 x 1-7/8" Curved Head GR2	<i>Was 91189 (used on All)</i>
31	7035744	4	KNOB, 5/16-18 Wing (Black)	<i>used on All</i>
32	7079577	3	SCREW, 1/4-20 x 1-1/2 Hex Head Cap GR5	<i>qty 1 on push model</i>
33	7090053	3	WASHER, 1/4" Internal Tooth Lock	<i>Was 91023 (qty 2 on push)</i>

Footnotes:

HANDLES AND CONTROLS

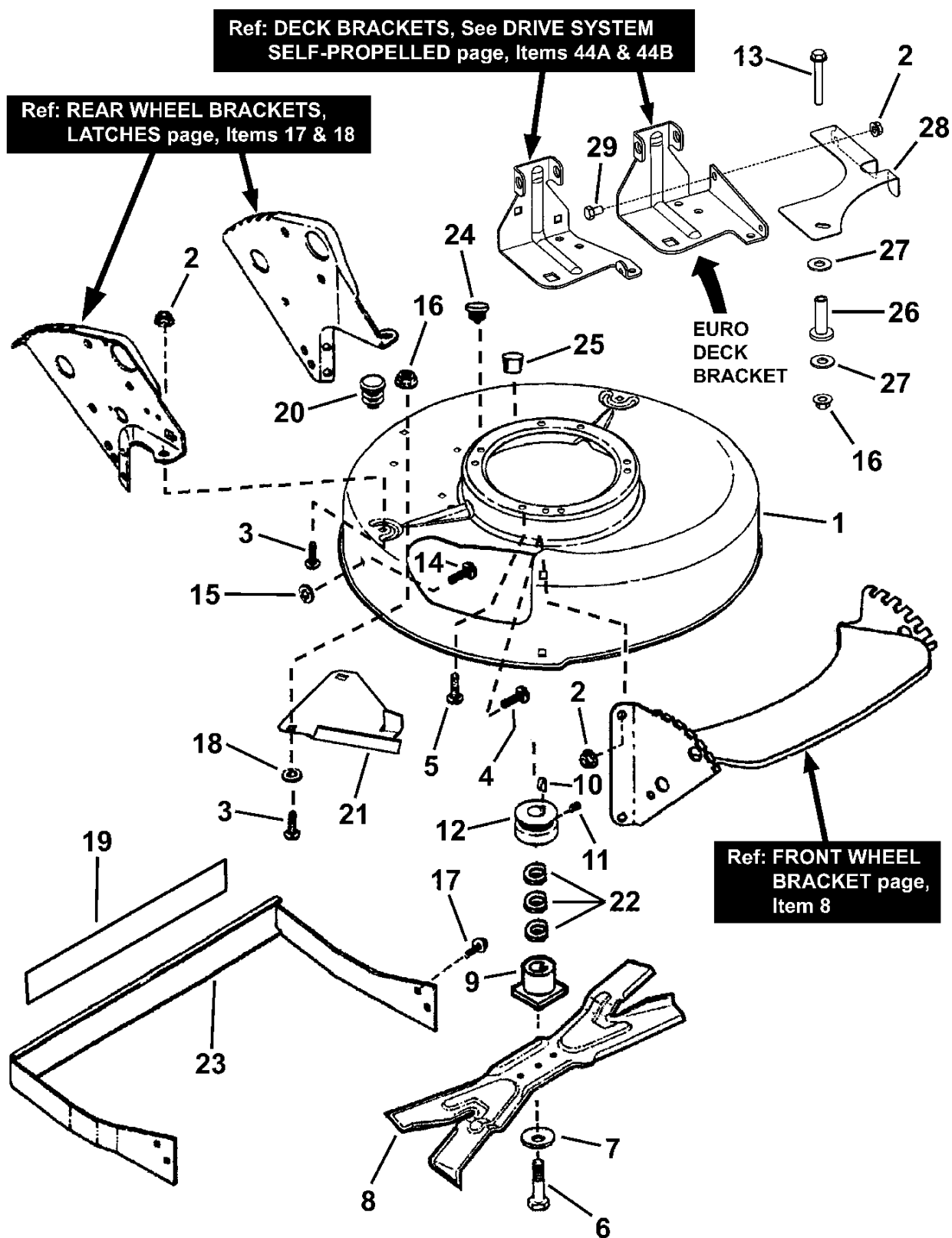


HANDLES AND CONTROLS

Item	Part No	Qty	Description	Note
34	7091576	3	NUT, 1/4-20 Hex	<i>Was 91100 (used on All)</i>
35	7012080	1	CABLE-TIE, 7"	<i>used on All</i>
36	7014343	4	BUSHING, .27 x .35 x .4 Flange	<i>used on Self Propelled</i>
37	7023792	1	PIN, Clutch Handle	<i>used on Self Propelled</i>
38	7091020	1	PUSH-NUT, 1/4" (for handle pin)	<i>used on Self Propelled</i>
39	7029782	1	DECAL, OPC Bail (International Symbol)	<i>used on All; see Decal page</i>
40	7028488	1	GUIDE, Rope (1/4-20 thread)	<i>used on All</i>
41	7022458	1	FOAM GRIP, 15", 21 SP	<i>used on All</i>
42	7024087	1	DECAL, Speed Sector	<i>used on MRP216518B; see Decal page</i>
43	7029783	1	DECAL, Speed Sector Int'l Symbol	<i>used on EMRP216518B; see Decal page</i>
44	7076978	1	NUT, 1/4-28 Hex GR5 or B	<i>used on All</i>
45	7090391	4	WASHER, 5/16" Internal Tooth Lock	<i>used on All</i>
46	7026219	1	CLAMP, 7/8" Double Cable	<i>used on Self Propelled</i>
47	7029911	1	LEVER, Speed Control	<i>used on Self Propelled</i>

Footnotes:

CUTTING DECK, BLADE



CUTTING DECK, BLADE

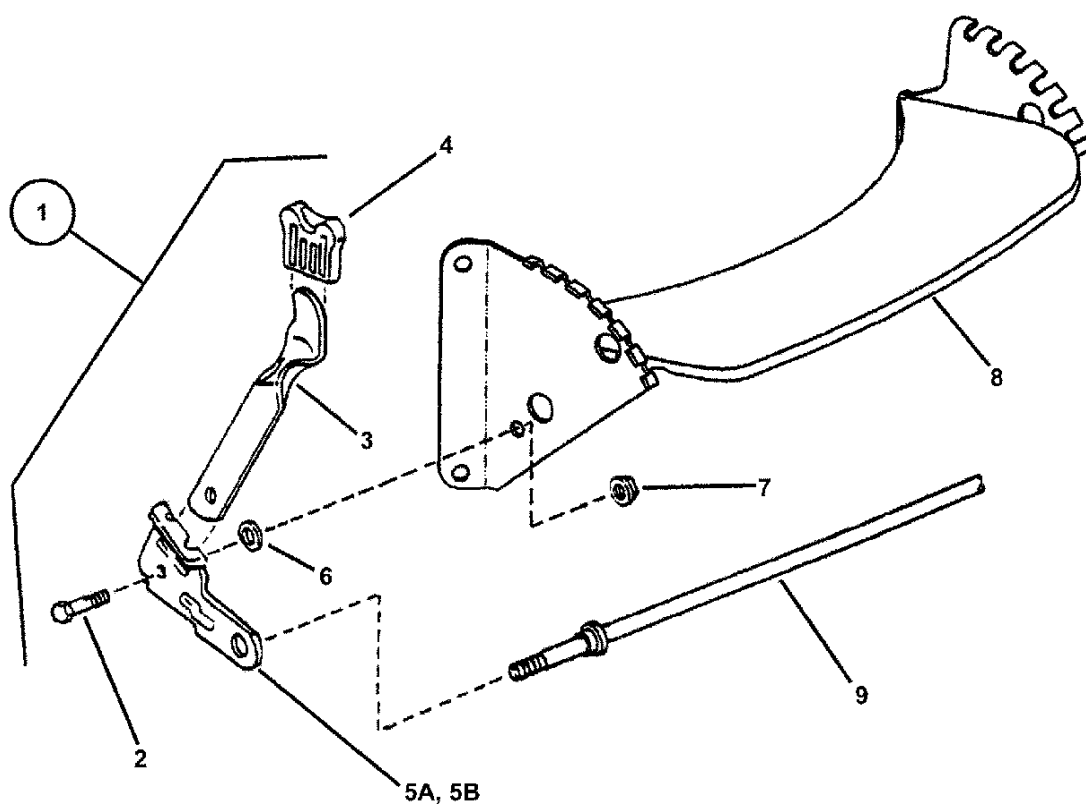
Item	Part No	Qty	Description	Note
1	7057884	1	* ASSEMBLY, M Series Push 21" Deck	Was 57784 (Used on MR216518B)
--	7057884	1	* ASSEMBLY, Non-Adjustable Air, 21" Deck	Was 57667 (Used on MRP216518B and EMRP216518B)
2	7091601	10	NUT, 5/16-18 Hex Flange Lock, GR5	Was 90585
3	7090731	9	BOLT, 5/16-18 x 1/2" Short Neck Carriage GR5	Was 92061
4	7091169	1	BOLT, 5/16-18 x 1-1/8" Short Neck Carriage GR5	
5	7090324	3	SCREW, 3/8-16 x 1" Hex Washer Self-Tap	
6	7090167	1	SCREW, 3/8-24 x 2" Hex Head Cap, GR5	
7	7012063	2	WASHER, Cone	
8	7026407	1	BLADE, 21" Ninja	
9	7015626	1	HUB, Blade Drive 25mm	
10	7091214	1	KEY, Hi-Pro #HP506 (Briggs engine)	
11	7090201	1	SCREW, 5/16-18 x 5/16" Hex Socket Head	
12	7015780	1	PULLEY, Engine Drive (25mm x 2-1/8" O.D.)	
13	7090702	1	BOLT, 5/16-18 x 2-1/4" Hex Flange Lock	
14	7091508	2	BOLT, 5/16-18 x 3/4" Short Neck Carriage GR5	Was 90001
15	7011791	1	RETAINER, 5/16" Bolt	
16	7090951	2	NUT, 5/16-18 Hex Large Flange Center Lock	
17	7091122	6	SCREW, 1/4-20 x 1/2" Hex Washer Self-Tap	Was 90539
18	7031961	1	WASHER, 7/16" Flat	
19	7073462	1	DECAL, Caution, International Symbols	used on Euro models
20	7046780	2	HOLE PLUG, Polyethylene	
21	7074568	1	COVER, Belt	used on MRP216518B & EMRP216518B
22	7044770	3	SPACER, .06 Blade Hub	
23	7041400	1	FENDER WELDMENT	used on Euro models
24	7046471	3	PLUG, 5/16" Square Hole	used on Push models; (only one shown)
25	7045264	3	PLUG, 5/16" Round Hole	qty. 3 on Push, qty. 2 on Self-Propelled (only one shown)
26	7013320	1	BUSHING, .388 x .625 x 1.62	used on Euro models
27	7031961	2	WASHER, 7/16" Flat	used on Euro models
28	7033863	1	COVER, Belt- IP21S	used on Euro models
29	7090534	1	SCREW, 5/16-18 x 1/2" Hex Head Cap, GR5	used on Euro models
--	--	1	*ENGINE, 6.5 B&S Quantum	model 123K02 type 0119 trim E1
--	--	1	*ENGINE, B&S Euro 6.5HP	model 123K02 type 0125 trim E1

Footnotes:

Note* includes painted deck and wheel brackets

Note* Purchase engine parts from engine manufacturer dealer.

FRONT WHEEL BRACKET

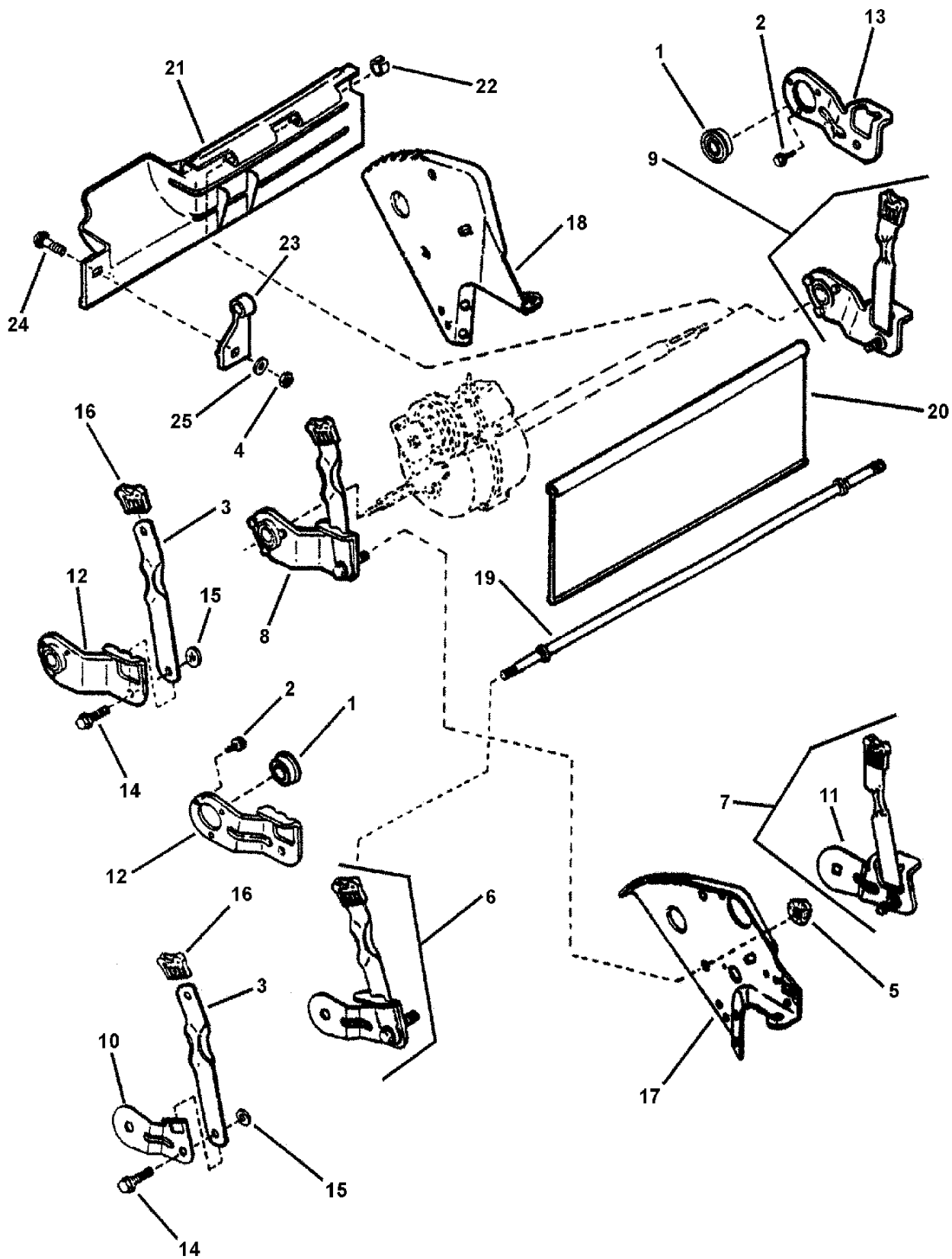


FRONT WHEEL BRACKET

Item	Part No	Qty	Description	Note
1	7051886	1	ASSEMBLY, Right Wheel Arm	<i>(Consists of items 2, 3, 4, 5A & 6)</i>
--	7051885	1	ASSEMBLY, Left Wheel Arm	<i>(Consists of items 2, 3, 4, 5B & 6)</i>
2	7015761	2	BOLT, 5/16-18 Hex Washer Face Shoulder	
3	7012325	2	LATCH, Height	
4	7027702	2	GRIP, Height Latch	
5A	7031017	1	WHEEL ARM, R.H. Front (Round Hole)	
5B	7031016	1	WHEEL ARM, L.H. Front (Square Hole)	<i>not shown</i>
6	7011791	2	RETAINER, 5/16" Bolt (Black)	
7	7091601	2	NUT, 5/16-18 Hex Flange Lock GR5	<i>Was 91070</i>
8	7074702	1	WELDMENT, Front Wheel Bracket	
9	7021119	1	AXLE, 21"	<i>qty. 2 on Push models</i>

Footnotes:

REAR WHEEL BRACKETS, LATCHES

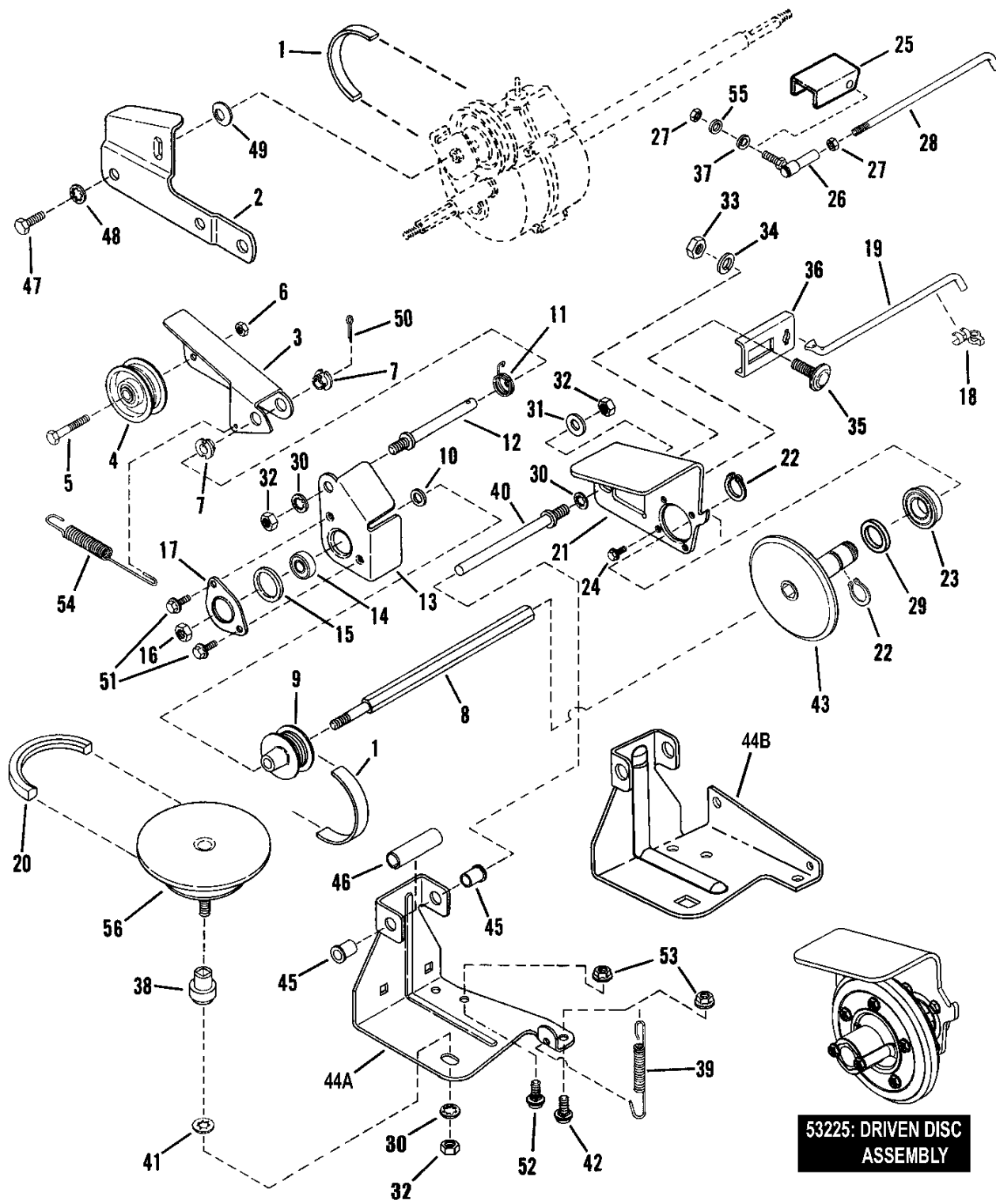


REAR WHEEL BRACKETS, LATCHES

Item	Part No	Qty	Description	Note
1	7012312	2	BALL BEARING, 9/16" I.D.	
--	7046983	2	BALL BEARING, 9/16" I.D. (Commercial)	<i>Was 18767</i>
2	7091012	6	SCREW, #10-32 x 3/8" Hex Washer Self-Tap	<i>(Torx head)</i>
3	7035717	2	LATCH, Height Adjusting (Long)	
4	7091576	1	NUT, 1/4-20 Hex	<i>Was 90063</i>
5	7091601	6	NUT, 5/16-18 Hex Flange Lock GR5	<i>Was 91070</i>
6	7054228	1	ASSEMBLY, Wheel Arm, Right Rear (Round hole)	<i>used on Push models (Incl. items 3, 10, 14, 15 & 16)</i>
7	7054229	1	ASSEMBLY, Wheel Arm, Left Rear (Square hole)	<i>used on Push models (Incl. items 3, 11, 14, 15 & 16)</i>
8	7054230	1	ASSEMBLY, Wheel Arm (Right Rear)	<i>Was 54230 (Self-Propelled models)(Incl. 1, 2, 3, 12, 14, 15 & 16)</i>
--	7054246	1	ASSEMBLY, Wheel Arm, Right Rear	<i>Was 54224 (Commercial Models)(Includes 1B, 2, 3, 12, 14, 15, 16)</i>
9	7054247	1	ASSEMBLY, Wheel Arm (Left Rear)	<i>Was 54231 (Self-Propelled Models)(Includes 1, 2, 3, 13, 14, 15, & 16)</i>
--	7054247	1	ASSEMBLY, Wheel Arm, Left Rear	<i>Was 54225 (Commercial Models)(Includes 1B, 2, 3, 13, 14, 15, & 16)</i>
10	7033776	1	WHEEL ARM, R.H. Rear	<i>used on Push models</i>
11	7033775	1	WHEEL ARM, L.H. Rear	<i>used on Push models</i>
12	7032722	1	ARM, Wheel, Right Rear	<i>used on Self-Propelled models</i>
13	7032723	1	ARM, Wheel, Left Rear	<i>used on Self-Propelled models</i>
14	7011078	2	BOLT, 5/16-18 x 1" Shoulder	
15	7011791	2	RETAINER, 5/16" Bolt	
16	7027702	2	GRIP, Height Latch	
17	7033494	1	BRACKET, Right Rear Wheel	
18	7033495	1	BRACKET, Left Rear Wheel	
19	7021119	1	AXLE, 21"	<i>Rear axle on Push Models; Front axle on All Models</i>
20	7035741	1	GUARD, Rear Foot	<i>used on Push models</i>
21	7029008	1	GUARD, Rear Foot	<i>used on Self-Propelled models (except European)</i>
--	7042918	1	FOOT GUARD, P21 Euro Long	<i>used on Euro Self-Propelled models</i>
22	7023791	1	RING, Split (Black)	<i>used on Self-Propelled models</i>
23	7012616	1	SUPPORT, Foot Guard	<i>used on Self-Propelled models</i>
24	7091604	1	BOLT, 1/4-20 x 1/2" Short Neck Carriage GR5	<i>Was 90005 (used on Self-Propelled models)</i>
25	7090053	1	WASHER, 1/4" Internal Tooth Lock	<i>Was 91023</i>

Footnotes:

DRIVE SYSTEM SELF-PROPELLED

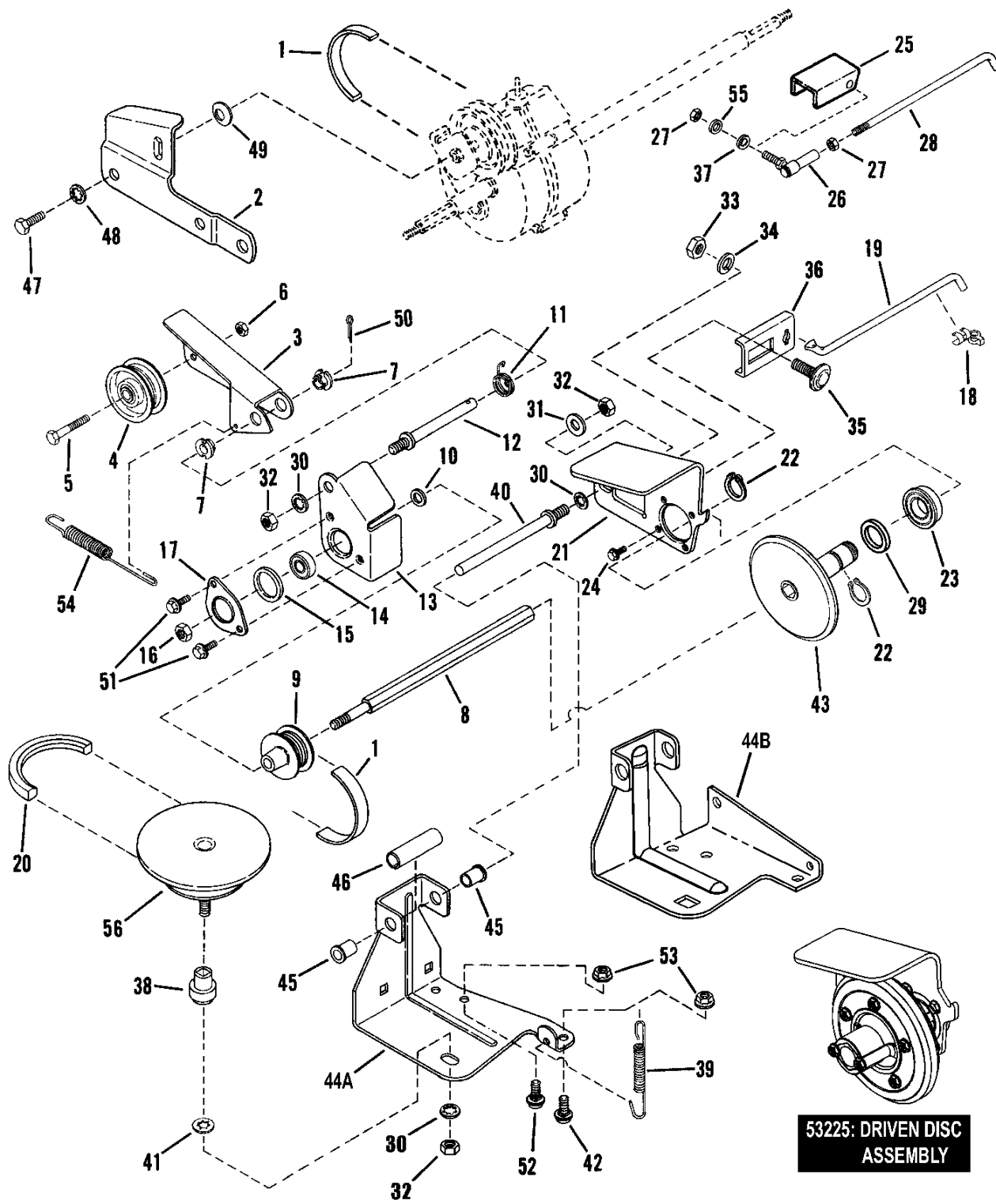


DRIVE SYSTEM SELF-PROPELLED

Item	Part No	Qty	Description	Note
1	7012354	1	BELT, Poly-Vee	
2	7034179	1	LINK, Differential (Commercial)	
--	7051921	1	ASSEMBLY, Clutch Idler	<i>(includes items 3 thru 7)</i>
3	7032832	1	ARM, Clutch Idler	
4	7012124	1	PULLEY, Idler	
5	7091025	1	SCREW, 1/4-28 x 1-3/8" Hex Head Cap GR5	
6	7090303	1	NUT, 1/4-28 Hex Top Lock	
7	7012117	2	BUSHING, 3/8" Plastic	
8	7072284	1	SHAFT, Hex Drive	
9	7024521	1	PULLEY, Poly-V, 2" O.D.	<i>Non-Commercial Models</i>
10	7012316	1	WASHER, 3/8" Flat	
11	7012126	1	SPRING, Idler, Torsion	
12	7012111	1	STUD, Idler (3/8-24 thread)	
13	7031873	1	HOLDER, Half	
14	7028014	1	BALL BEARING, .38 I.D. Spherical O.D.	
15	7011025	1	O-RING	
16	7090289	1	NUT, 3/8-24 Hex Center Lock GR5 or B	
17	7031809	1	HOLDER, Half	
18	7010937	1	CLIP, Transfer Rod 1/4"	<i>also shown on HANDLES AND CONTROLS page</i>
19	7023790	1	ROD, Transfer	<i>also shown on HANDLES AND CONTROLS page</i>
--	7051698	1	ASSY., Transfer Rod	<i>Euro; also shown on HANDLES AND CONTROLS page</i>
20	7046784	1	BELT, Engine Drive 3L (Stretch)	
--	7053225	1	ASSEMBLY, Driven Disc (Cantilever)	<i>used on Euro Self-Propelled models</i>
21	7035477	1	THRUST PLATE, Short	
22	7010746	2	RING, 5/8" External Retaining	<i>used on Self-Propelled models</i>
23	7026693	1	BALL BEARING, 3/4" I.D.	<i>used on Self-Propelled models</i>
24	7010121	1	WASHER, 3/4" Shim	
25	7032664	1	SHIELD, Hex Shaft	
26	7015753	1	BALL JOINT, 1/4-28	<i>also shown on HANDLES AND CONTROLS page</i>
27	7090095	1	NUT, 1/4-28 Hex	<i>also shown on HANDLES AND CONTROLS page</i>
28	7015752	1	LINK, Transfer	<i>also shown on HANDLES AND CONTROLS page</i>
29	7010121	1	WASHER, 3/4" Shim	
30	7090390	3	WASHER, 3/8" Internal Tooth Lock	
31	7090122	1	WASHER, 3/8" Flat	
32	7091630	1	NUT, 3/8-24 Hex	
33	7091511	1	NUT, 5/16-18 Hex, GR5	<i>Was 90196</i>
34	7090187	1	WASHER, 5/16" Split Lock	

Footnotes:

DRIVE SYSTEM SELF-PROPELLED

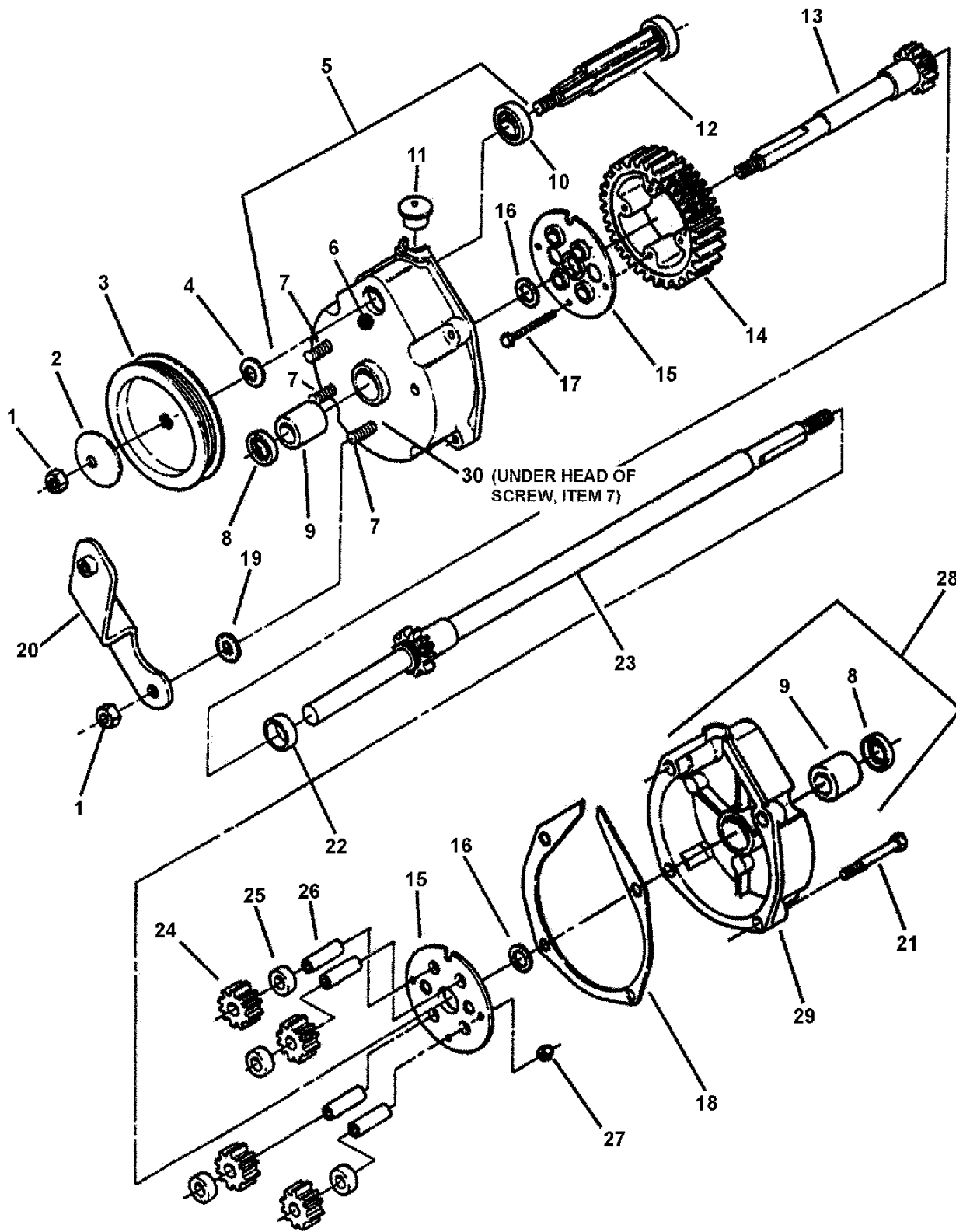


DRIVE SYSTEM SELF-PROPELLED

Item	Part No	Qty	Description	Note
35	7090316	1	BOLT, 5/16-18 x 3/4" Short Neck Carriage GR5	<i>Was 91097</i>
36	7032831	1	CONNECTOR, Transfer Rod	
37	7091294	1	WASHER, .28 x .63 x .06 Flat	<i>used on Euro Self-Propelled models</i>
38	7017696	1	BUSHING	
39	7029025	1	SPRING, Wheel Drive	
40	7012125	1	GUIDE, Thrust Plate (3/8-24 thread)	
41	7013847	1	RETAINER, 3/8" Bolt	
42	7090799	1	BOLT, 5/16-18 x 5/8" Short Neck Carriage GR5	<i>Was 91026</i>
43	7041855	1	DISC, Driven (Cantilever)	
--	7059462	1	ASSY, Deck Bracket (Includes items 44A & 45)	
44A	7033774	1	BRACKET, Deck	<i>Was 31919 (Now 17696 + 33774)</i>
44B	7057922	1	BRACKET, Deck, Painted Black Texture	<i>used on Euro Self-Propelled models</i>
45	7012117	2	BUSHING, 3/8" Plastic	
46	7021758	1	SPACER	<i>used on Commercial models</i>
47	7090534	1	SCREW, 5/16-18 x 1/2" Hex Head Cap, GR5	
48	7090391	1	WASHER, 5/16" Internal Tooth Lock	
49	7011724	1	WASHER, .44 x .78 x .025 Curved	
50	7091597	1	PIN, 3/32 x 1/2" Cotter	<i>Was 90555</i>
51	7091122	2	SCREW, 1/4-20 x 1/2" Hex Washer Self-Tap	<i>Was 90539</i>
52	7090731	3	BOLT, 5/16-18 x 1/2" Short Neck Carriage GR5	
53	7091601	2	NUT, 5/16-18 Hex Flange Lock, GR 5	<i>Was 91070</i>
54	7012122	1	SPRING, Clutch	
55	7090053	1	WASHER, 1/4" Internal Tooth Lock	<i>used on Euro Self-Propelled models</i>
56	7061275	--	KIT, Drive Disc Assembly	<i>(Includes Drive Disc and items 32 & 38)</i>

Footnotes:

TRANSMISSION (DIFFERENTIAL)



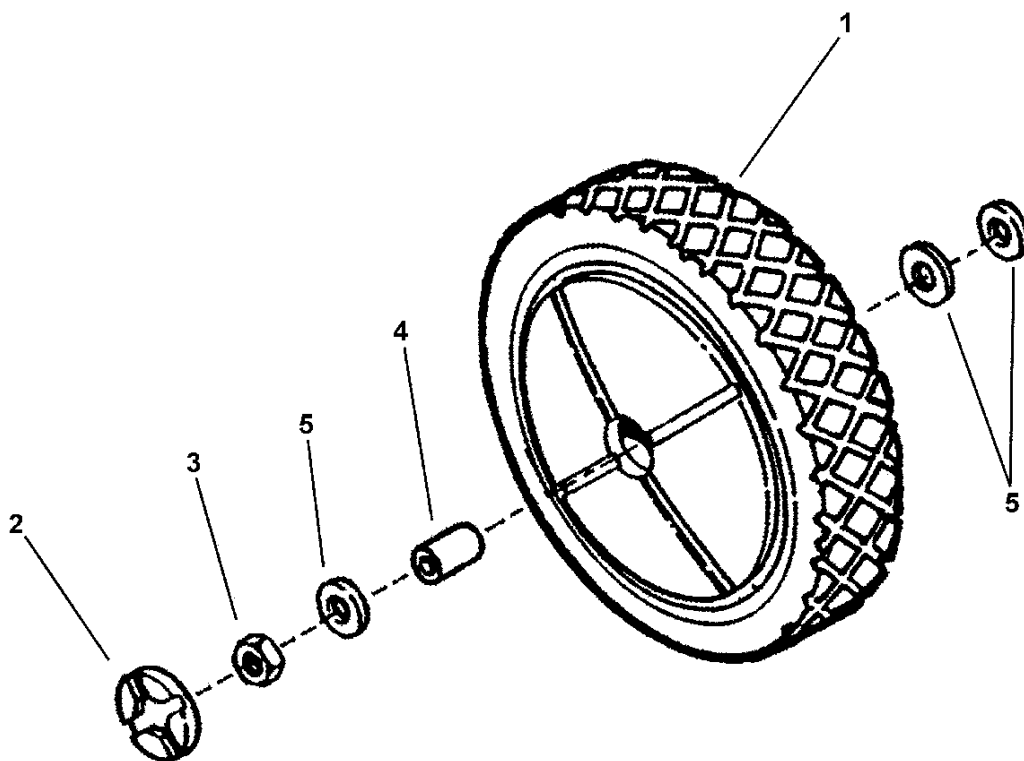
TRANSMISSION (DIFFERENTIAL)

Item	Part No	Qty	Description	Note
--	7053943	1	ASSY, Transmission- 1996	<i>(Includes items 1 thru 30)</i>
1	7092062	1	NUT, 5/16-24 Hex Lock	
2	7092063	1	WASHER, Bellville	
3	7019213	1	PULLEY, Poly-Vee Belt	
4	7011724	2	WASHER, Spring	
5	7053941	1	ASSY, Right Housing (Phantom)	<i>(Includes items 6, 7, 8, 9, 10 & 30)</i>
6	7029034	1	HOUSING, Right Side	
7	7014155	3	SCREW, 5/16-24 x 1-1/8" Rib Neck, GR5	
8	7012314	1	SEAL, 5/8" Internal Diameter	
9	7029035	1	BEARING, Tapered- (Differential Housing)	
10	7073963	1	BALL BEARING, 7/16 I.D., 1/1/8" O.D.	
11	7016544	1	PLUG, Transmission	
12	7050767	1	GEAR, Input	
13	7051932	1	ASSEMBLY, Short Axle	
14	7012495	1	GEAR, Differential (46 tooth)	
15	7031970	2	PLATE, 46T Gear	
16	7031965	2	WASHER, Thrust, 3/4" I.D.	
17	7090557	4	SCREW, #10-32 x 1-1/2" Hex Head Cap GR5	<i>only 1 shown</i>
18	7011774	1	GASKET, Housing	
19	7090189	3	WASHER, 5/16" Internal/External Tooth Lock	<i>only 1 shown</i>
20	7051903	1	BRACKET, Differential	
21	7091825	4	SCREW, 1/4-20 x 1" Hex Washer Self-Tap	<i>Was 92064 (only 1 shown)</i>
22	7012543	1	SPACER, Axle Gear	
23	7051933	1	ASSEMBLY, Long Axle	
24	7021115	4	GEAR, Pinion (12 tooth)	
25	7012500	4	SPACER, Pinion Gear	
26	7011110	4	SHAFT, Pinion	
27	7090376	4	NUT, #10-32 Hex Nyloc	
28	7053938	1	ASSY, Left Housing (Phantom)	<i>(Includes items 8, 9 & 29)</i>
29	7029033	1	HOUSING, Left	
30	7024442	3	GASKET, 5/8" O. D.	
--	7061017	*	"OO" Grease (32 oz.)	

Footnotes:

Note* Maximum capacity of transmission case is 4 oz. DO NOT OVERFILL Transmission!

FRONT WHEELS



***Always replace wheel nut #9-0377
when removing or replacing wheel**

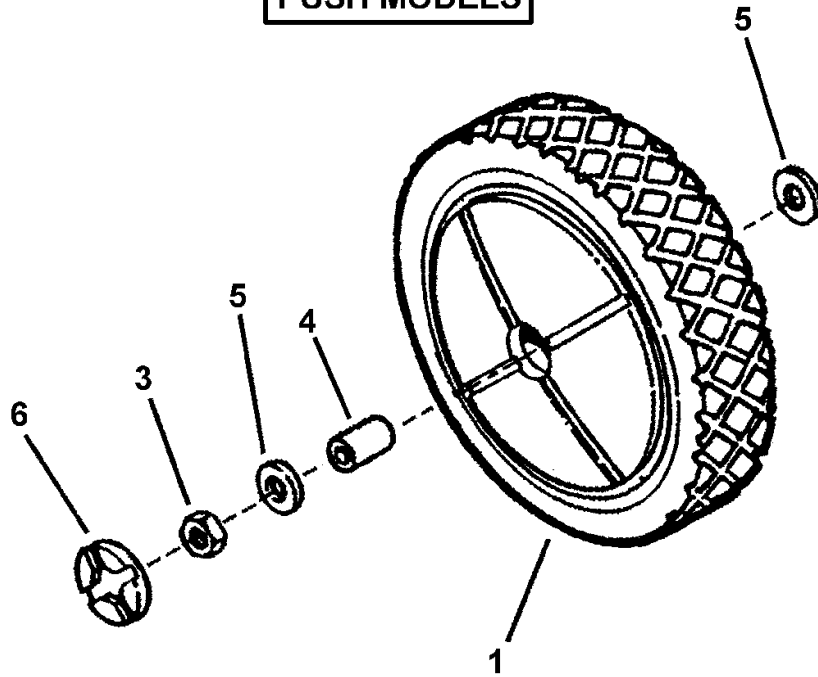
FRONT WHEELS

Item	Part No	Qty	Description	Note
1	7029010	2	WHEEL, 8 x 1.75 Plastic	
2	7017829	2	PLUG, Wheel	
3	7090377	2	NUT, 7/16-20 Hex Center Lock Jam	
4	7012309	2	BUSHING, Axle	
5	7031961	6	WASHER, 7/16" Flat	<i>Qty. of (2) for Push; Qty. of (1) for Self-Propelled Models</i>

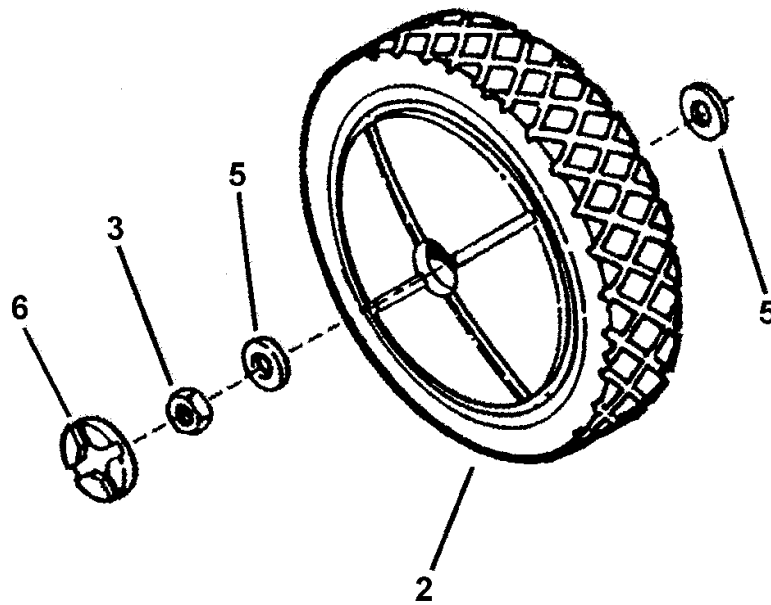
Footnotes:

REAR WHEELS

PUSH MODELS



SELF-PROPELLED MODELS

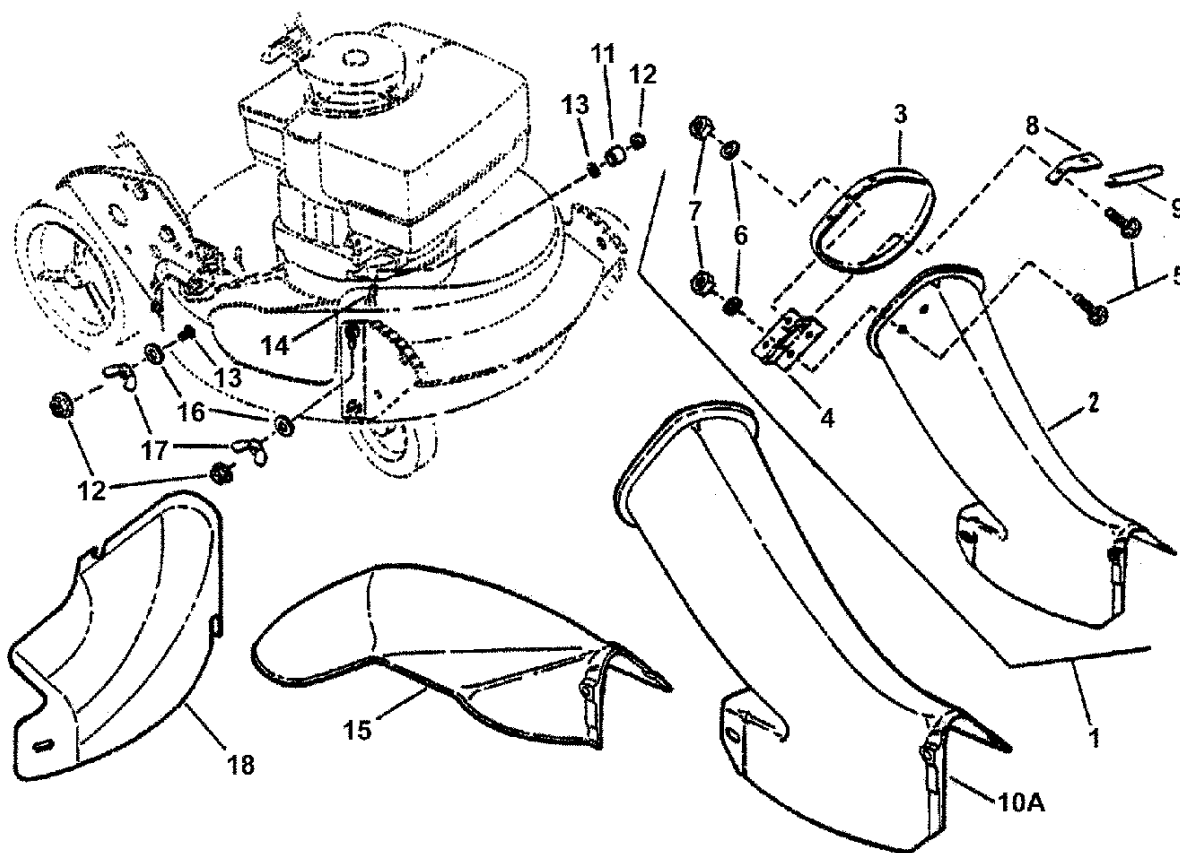


REAR WHEELS

Item	Part No	Qty	Description	Note
1	7074924	2	WHEEL, 10 x 1.75" Plastic (Push Models)	
2	7029011	2	WHEEL, 10 x 1.75" Plastic (Self-Propelled Models)	
3	7090377	2	NUT, 7/16-20 Hex Center Lock Jam	
4	7012309	2	BUSHING, Axle	
5	7031961	4	WASHER, 7/16" Flat	
6	7017829	2	PLUG, Wheel	

Footnotes:

SIDE CHUTE, ADAPTER

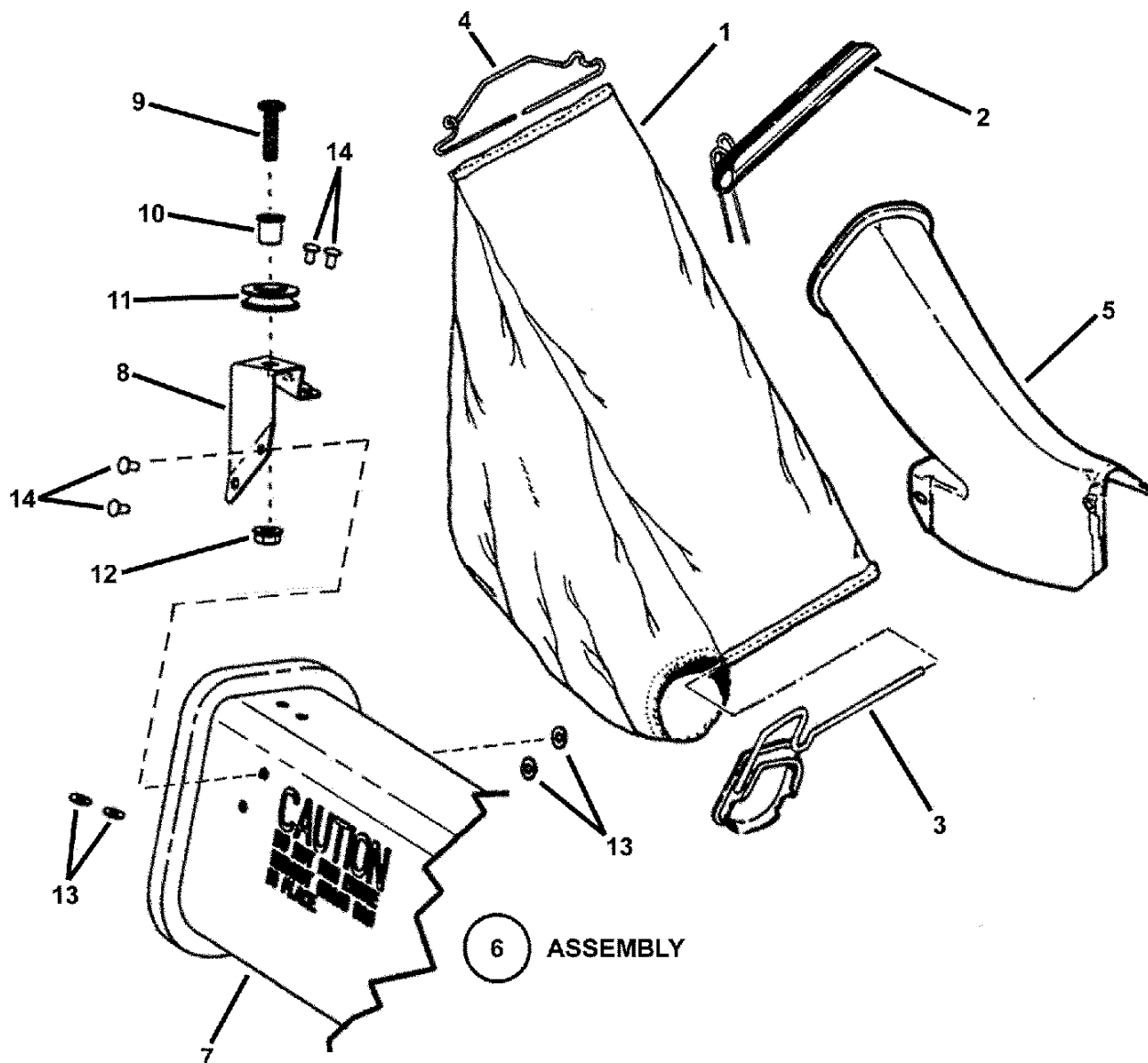


SIDE CHUTE, ADAPTER

Item	Part No	Qty	Description	Note
1	7051951	--	ASSEMBLY, Bag Adapter & Cover	<i>(Includes items 2 thru 9; used on European Models Only)</i>
2	7016107	1	ADAPTER, Grass Bag	
3	7019287	1	COVER, Bag Adapter	
4	7023000	1	HINGE, Chute Cover	
5	7091064	5	BOLT, 1/4-20 x 1/2" Short Neck Carriage GR5	
6	7090053	5	WASHER, 1/4" Internal Tooth Lock	<i>Was 91023</i>
7	7091576	5	NUT, 1/4-20 Hex	<i>Was 91100</i>
8	7032661	1	STOP, Cover	
9	7023042	1	MOLDING, Trim	
10A	7016050	1	ADAPTER, Grass Bag	
10B	7058037	--	ASSEMBLY, Grass Bag Adapter	<i>(See Grass Bag Accessory page)</i>
11	7024340	1	SPACER, .316 I.D. x .375 O.D. x .310 thick	
12	7090951	1	NUT, 5/16-18 Hex Large Flange Center Lock	
13	7011791	1	RETAINER, 5/16" Bolt	
14	7091508	2	BOLT, 5/16-18 x 3/4" Short Neck Carriage GR5	<i>Was 90001</i>
15	7042965	1	CHUTE, Side	
16	7090122	2	WASHER, 3/8" Flat	<i>Was 91514</i>
17	7024085	2	WING-NUT, 5/16-18 Nyloc	
18	7029149	1	COVER, 21" Deck	

Footnotes:

GRASS BAG ACCESSORY



GRASS BAG ACCESSORY

Item	Part No	Qty	Description	Note
--	7060791	--	KIT, Grass Bag Catcher	<i>(Includes items 1 thru 5)</i>
1	7074734	1	GRASS BAG, Slider Type (Black)	
2	7050711	1	ASSEMBLY, Slider	
3	7042489	1	CONNECTOR, Grass Bag (weldment)	
4	7019247	1	WIRE, Bag Adapter	
5	7016050	1	ADAPTER, Bag	
6	7058037	1	ASSEMBLY, Grass Bag Adapter	<i>(Includes items 7 thru 14)</i>
7	7047081	1	ADAPTER, Bag	
8	7047082	1	BRACKET, Rope Pulley	
9	7091984	1	SCREW, 5/16-18 x 1-1/4" Pan Head Machine	
10	7012306	1	BUSHING, Flange	
11	7024228	1	PULLEY, Plastic	
12	7091601	1	NUT, 5/16-18 Hex Flange Lock GR5	<i>Was 91070</i>
13	7072107	2	WASHER, 15/32" Flat	
14	7013860	4	RIVET, 3/16 x .344	

Footnotes:

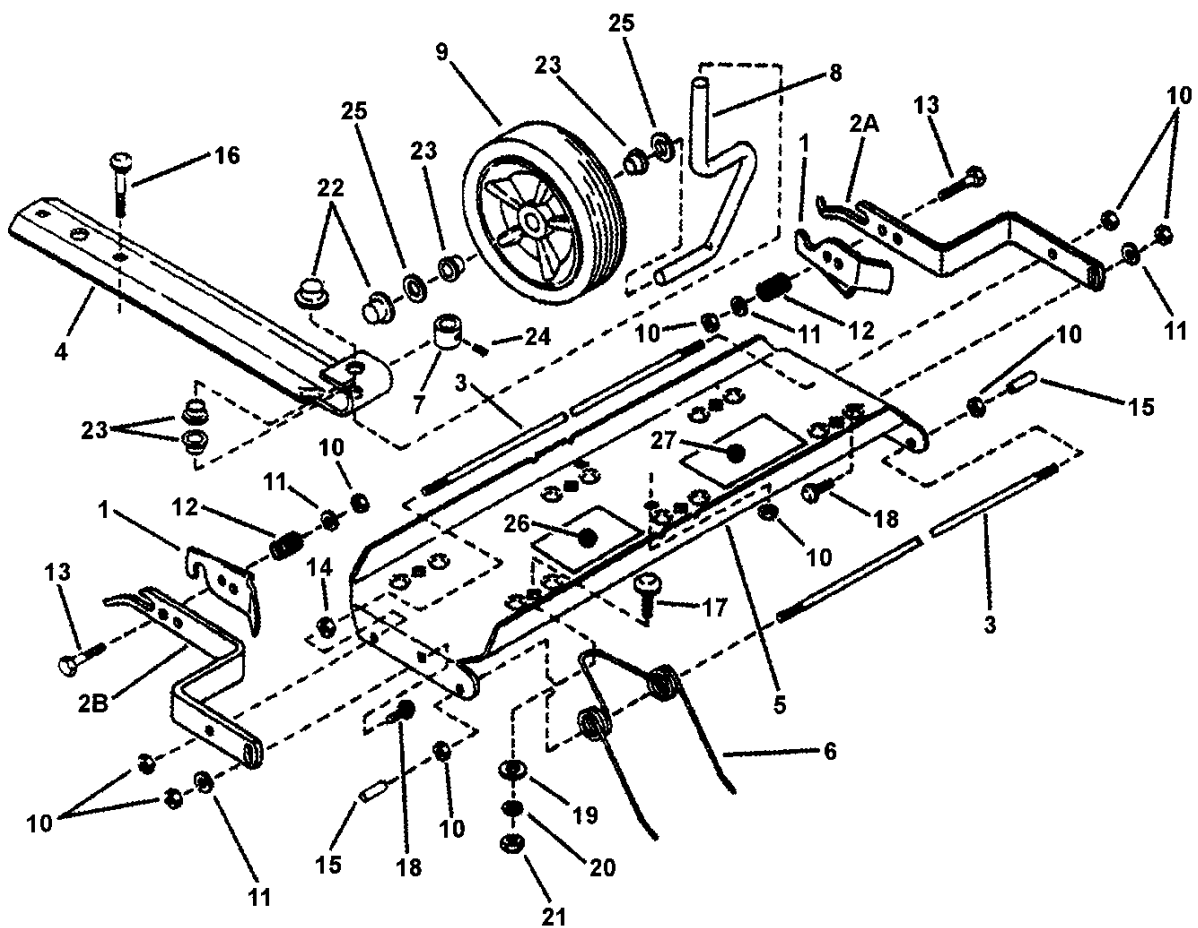


DECALS

Item	Part No	Qty	Description	Note
1	7024087	1	DECAL, Speed Sector	
2	7029783	1	DECAL, Speed Sector Int'l Symbol	
3	7046720	1	DECAL, Chute/Deflector	
4	7075619	1	DECAL, Ninja	
5	7075618	1	DECAL, SNAPPER	
6	7072921	1	DECAL, Warning (Deck)	
7	7013010	1	DECAL, Danger, Cut Finger	
8	7022841	1	DECAL, Warning (Euro)	
9	7029490	1	DECAL, 2004 Year of Mfg.	
10	7029776	1	DECAL, Euro Community (CE)	
11	7029779	1	DECAL, Spart Plug International Symbol	
12	7073462	1	DECAL, Caution, Symbols	
13	7078022	1	DECAL, OPEI Walk/Ride	
14	7074135	1	DECAL, Noise (European)	
15	7046357	1	DECAL, Warning	
16	7029784	2	DECAL, Deck/Chute International Warning	
17	7029782	1	DECAL, OPC Bail (International Symbol)	
18	7029785	1	DECAL, Operator Safety	
19	7029470	1	DECAL, Patent Numbers	<i>not shown</i>

Footnotes:

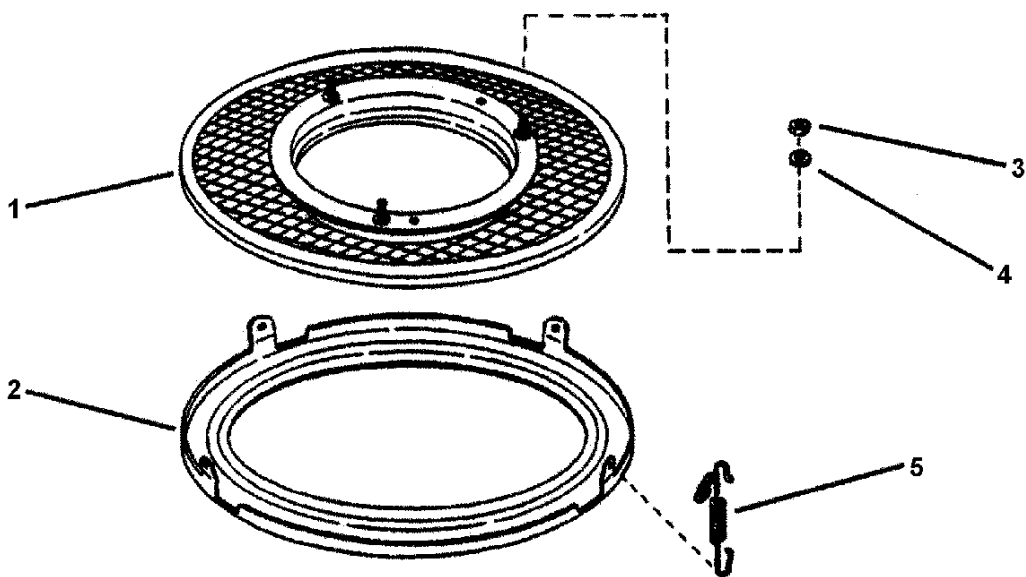
THATCHERIZER ASSEMBLY



THATCHERIZER ASSEMBLY

Item	Part No	Qty	Description	Note
--	7061256	--	KIT, Thatcherizer (Incl. items 1 thru 27)	
1	7032891	2	LATCH, Frame Attachment	
2A	7026572	1	BAR, Mount (Right Hand)	
2B	7026573	1	BAR, Mount (Left Hand)	
3	7018499	2	ROD, Tine	
4	7018700	1	SUPPORT, Wheel	
5	7019948	1	TRAY, Tine	
6	7018496	6	KIT, Tine Thatching Spring	Was 60574
7	7014100	1	BUSHING, Wheel Adjuster	
8	7018493	1	AXLE, Wheel	
9	7018189	1	WHEEL, 7.00 x 1.50 Gage	
10	7091705	10	NUT, 1/4-20 Hex Top Lock	Was 90761 (only 9 shown)
11	7091294	4	WASHER, 1/4" Flat	Was 90055
12	7022425	2	SPRING, Compression	
13	7090825	2	BOLT, 1/4-20 x 1-1/4" Hex, GR5	
14	7091576	2	NUT, 1/4-20 Hex, GR5	Was 90063
15	7022424	2	CAP, Vinyl	
16	7090015	2	BOLT, 1/4-20 x 2-1/2" Square Neck Carriage	only 1 shown
17	7091303	6	BOLT, 5/16-18 x 1" Square Neck Carriage, GR5	Was 90383 (only 1 shown)
18	7091530	2	BOLT, 1/4-20 x 3/4" Square Neck Carriage, GR5	Was 90074
19	7014098	6	WASHER, Reinforcing	only 1 shown
20	7090187	6	WASHER, 5/16" Split Lock	only 1 shown
21	7091511	6	NUT, 5/16-18 Hex, GR5	Was 90196 (only 1 shown)
22	7014101	2	NUT, 1/2" Push	
23	7014342	4	BEARING, Nylon	
24	7014103	1	SCREW, 5/16-18 x 1/4" Set	
25	7090250	2	WASHER, 1/2" Flat	
26	7014115	1	DECAL, Adjustment	
27	7014062	1	DECAL, Thatcherizer	

Footnotes:

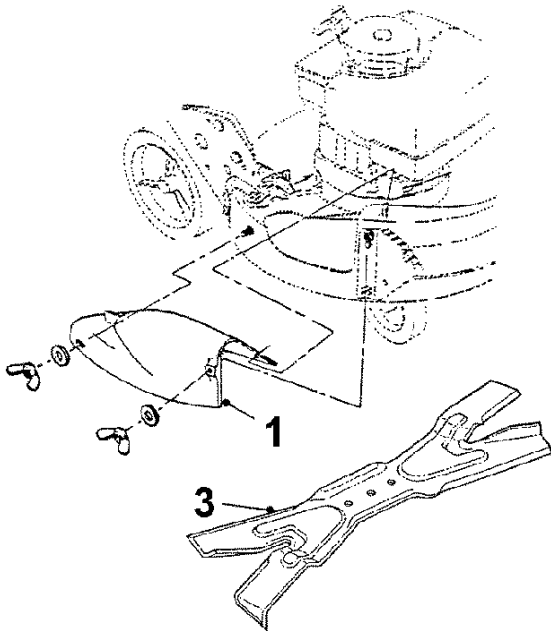


SNAPPERIZER ACCESSORY

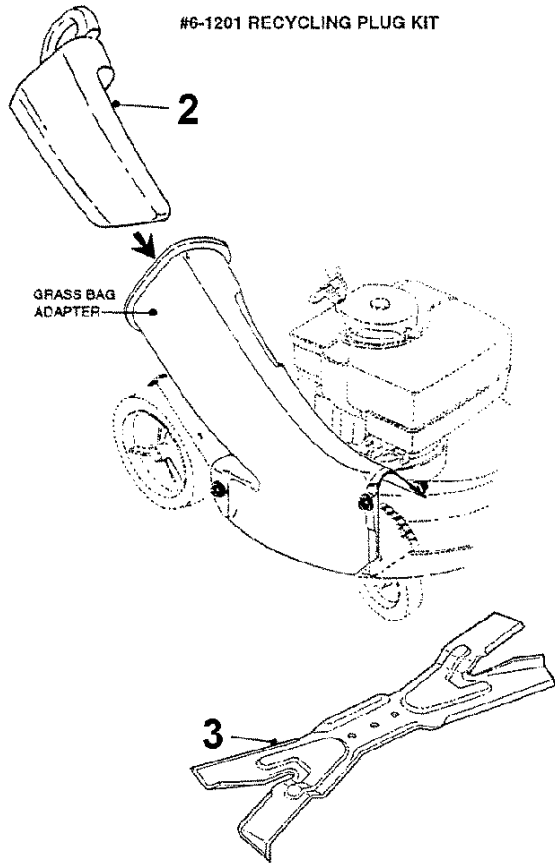
Item	Part No	Qty	Description	Note
--	7063041	--	KIT, Snapperizer (Incl. items 1 thru 5)	
1	7051243	1	SCREEN, Fastener Assembly	
2	7072002	1	RING, Bottom	
3	7091297	3	NUT, 5/16-24 Hex, GR5	<i>Was 90223, only 1 shown</i>
4	7090187	3	WASHER, 5/16" Split Lock	<i>only 1 shown</i>
5	7012587	3	SPRING	<i>only 1 shown</i>

Footnotes:

#6-1200 RECYCLING COVER KIT



#6-1201 RECYCLING PLUG KIT



RECYCLING KITS ACCESSORY

Item	Part No	Qty	Description	Note
	7061200	--	KIT, Recycling Cover (Incl. items 1 & 2 below)	<i>for 4HP & above engines</i>
	7061201	--	KIT, Recycling Plug (Incl. items 1 & 2 below)	<i>for 4HP & above engines</i>
1	7029149	1	COVER, 21" Deck	
2	7016814	1	PLUG, Chute Adapter	
3	7026407	1	BLADE, 21" Quad Edge Ninja	

Footnotes:

Parts Manual for

SNAPPER®

21" STEEL DECK WALK BEHIND MOWER "MR" SERIES 18

IT IS THE POLICY OF SNAPPER TO IMPROVE ITS PRODUCTS
WHENEVER IT IS POSSIBLE AND PRACTICAL TO DO SO. WE
RESERVE THE RIGHT TO MAKE CHANGES OR ADD IMPROVEMENTS
AT ANY TIME WITHOUT INCURRING ANY OBLIGATION TO MAKE
SUCH CHANGES ON PRODUCTS MANUFACTURED PREVIOUSLY.

SNAPPER® McDonough, GA, 30253 U.S.A.