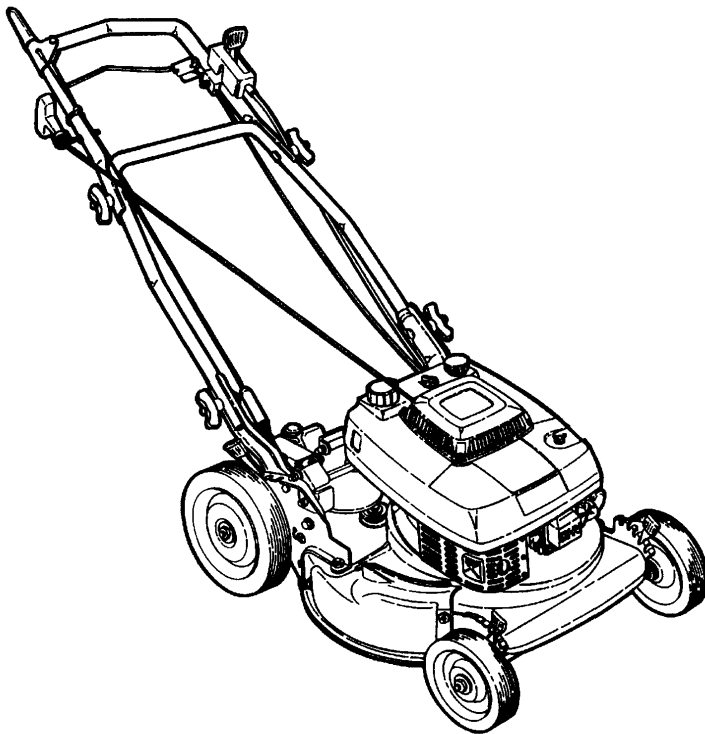


Parts Manual for
SNAPPER®

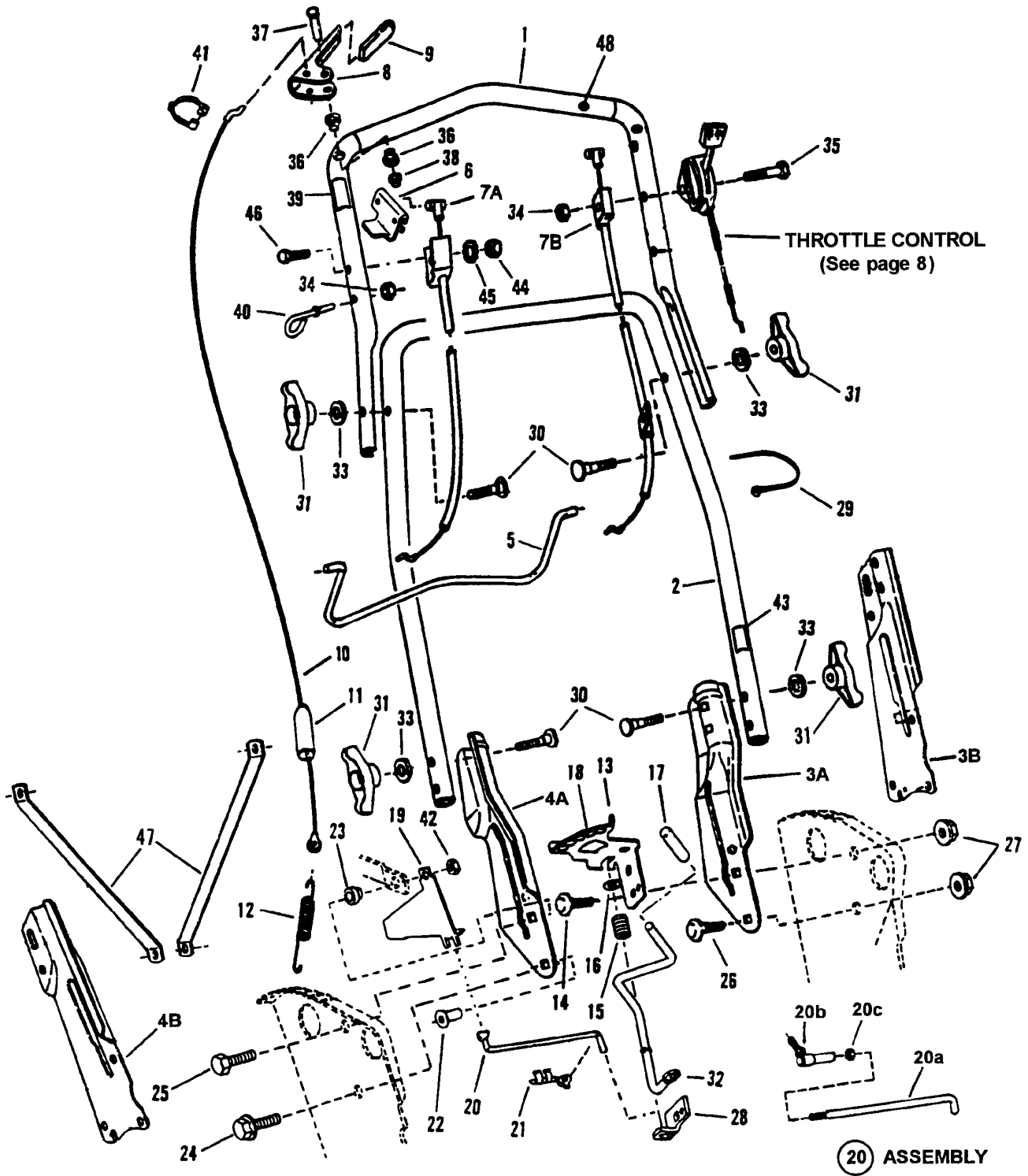
**21" STEEL DECK
WALK BEHIND MOWERS
"MR" SERIES 14 & 15**



PUSH MODELS	PROPELLED MODELS
MCRS215014KWV	EMRP216014B
MR215014B	EMRP216015B
MR215015T	MCRP215014KWV
MR216015B	MCRP215015KWV
MR216015BV	MRP216014B
MR216015T	MRP216015B
	MRP216015BV

SNAPPER® McDonough, GA, 30253 U.S.A.

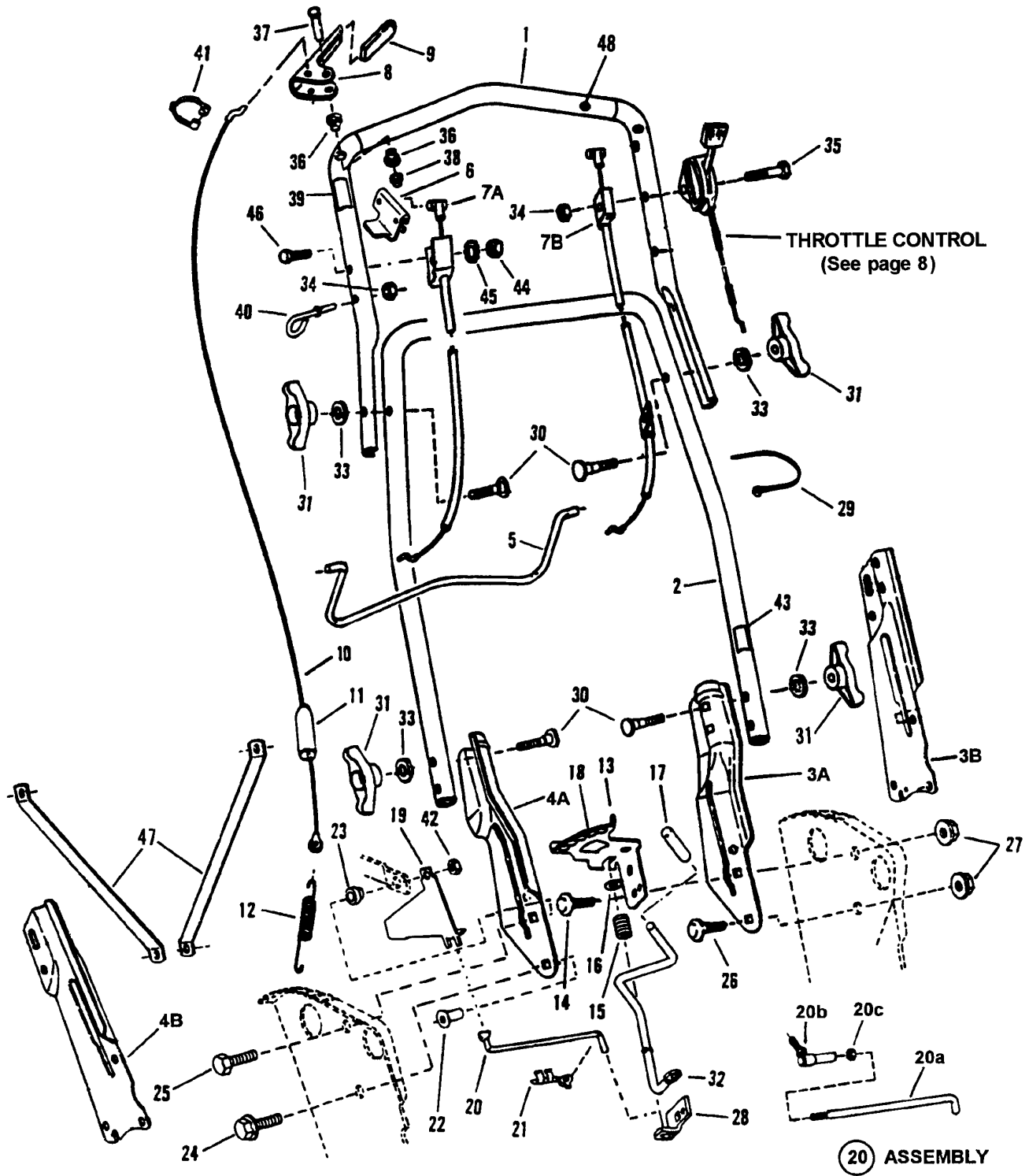
PAGE	GROUP
4	Handles & Controls
8	Handles & Controls (Swivel Wheel Model)
10	Cutting Deck, Blade
12	Front Wheel Bracket (Non-Swivel Wheel Models)
14	Front Wheel Bracket (Swivel Wheel Model)
16	Rear Wheel Brackets, Latches
18	Front Wheels (Non-Swivel Wheel Models)
20	Front Wheels (Swivel Wheel Model)
22	Rear Wheel
24	Drive System Self-Propelled
30	Transmission (Differential)
32	Throttle Controls
34	Decals (Part 1)
36	Decals (Part 2)
38	Grass Bag (Non-Swivel Wheel Models)
40	Grass Bag (Swivel Wheel Model)
42	Side Chute, Adapter
44	Accessory - Snapperizer
46	Accessory - Recycling Kits
48	Accessory - Thatcherizer



Handles & Controls

Item	Part No	Qty	Description	Note
1	7074384		HANDLE, Upper	<i>Was 41933, Used on All Series 14</i>
	7074254		HANDLE, Upper	<i>Was 72931, Used on All Series 15</i>
2	7036350		HANDLE, Middle	<i>Used on Non Commercial</i>
	7046737		HANDLE, Middle	<i>Used on Commercial</i>
3A	7046502		HANDLE, Lower Left Hand	<i>Not used on "MCRP" Models</i>
3B	7047121		HANDLE, Lower L.H. Adjustable	<i>Used on "MCRP" Models</i>
4A	7035342		HANDLE, Lower Right Hand	<i>Not used on "MCRP" Models</i>
4B	7033986		HANDLE, Lower R.H. Adjustable	<i>Used on "MCRP" Models</i>
5	7047011		BAIL, OPC Control	
6	7034872		CLIP, Blade Control	
7A	7035808		CABLE, Blade Control (46-1/16")	<i>Used on Series 14 B&S</i>
	7046553		CABLE, Blade Control (55-3/4")	<i>Used on Series 14 Tecumseh</i>
	7073030		CABLE, Blade Control (54-13/16")	<i>Used on Series 15 Tecumseh</i>
	7072933		CABLE, Blade Control (49-1/4")	<i>Used on Series 15 B&S</i>
7B	7073444		CABLE, Blade Control (52-13/16")	<i>Was 46702, Used on All Kaw</i>
8	7032826		HANDLE, Wheel Drive	<i>Used on Self-Propelled</i>
9	7014307		GRIP, Wheel Drive Handle	<i>Used on Self-Propelled</i>
	7029775		GRIP, Wheel Drive Handle	<i>Used on Self-Propelled (Euro)</i>
10	7023134		CABLE, Clutch Pull (Z-Bend, 36-3/16" Long)	<i>Used on Propelled Ser. 14 B&S</i>
	7072932		CABLE, Clutch Pull (Z-Bend, 38-5/8" Long)	<i>Used on Propelled Ser. 15 B&S</i>
	7047092		CABLE, Clutch Pull (Z-Bend, 38-5/16" Long)	<i>Used on Propelled (All Kaw)</i>
11	7012121		COVER, Vinyl	<i>Used on Self-Propelled</i>
12	7012122		SPRING, Clutch	<i>Used on Self-Propelled</i>
13	7041871		SECTOR, Speed	<i>Used on Self-Propelled</i>
14	7091714		BOLT, 5/16 x 1" Round Head Carriage, Grade 5	<i>Was 91238 (Used on All)</i>
15	7012093		SPRING, Speed Control	<i>Used on Self-Propelled</i>
16	7090188		WASHER, 3/8" Flat	<i>Used on Self-Propelled</i>
17	7023801		GRIP, Speed Control Handle	<i>Was 29383, Used on Propelled</i>
18	7024087		DECAL, Speed Select	<i>Used on Self-Propelled</i>
	7029783		DECAL, Speed Select	<i>Used on Self-Propelled (Euro)</i>
19	7032408		GUIDE, Lower V-Belt	<i>Used on Self-Propelled</i>
20	7023790		ROD, Transfer	<i>Used on Self-Propelled</i>
	7051698		ASSEMBLY, Transfer Rod	<i>Incl. indented items below. Used on Propelled Euro</i>
20A	7015752		LINK, Transfer	<i>Used on Propelled Euro</i>
20B	7015753		BALL JOINT, 1/4-28	<i>Used on Propelled Euro</i>
20C	7090095		NUT, 1/4-28 Hex	<i>Used on Propelled Euro</i>
21	7010937		CLIP, Transfer Rod	<i>Used on Self-Propelled</i>

Footnotes:

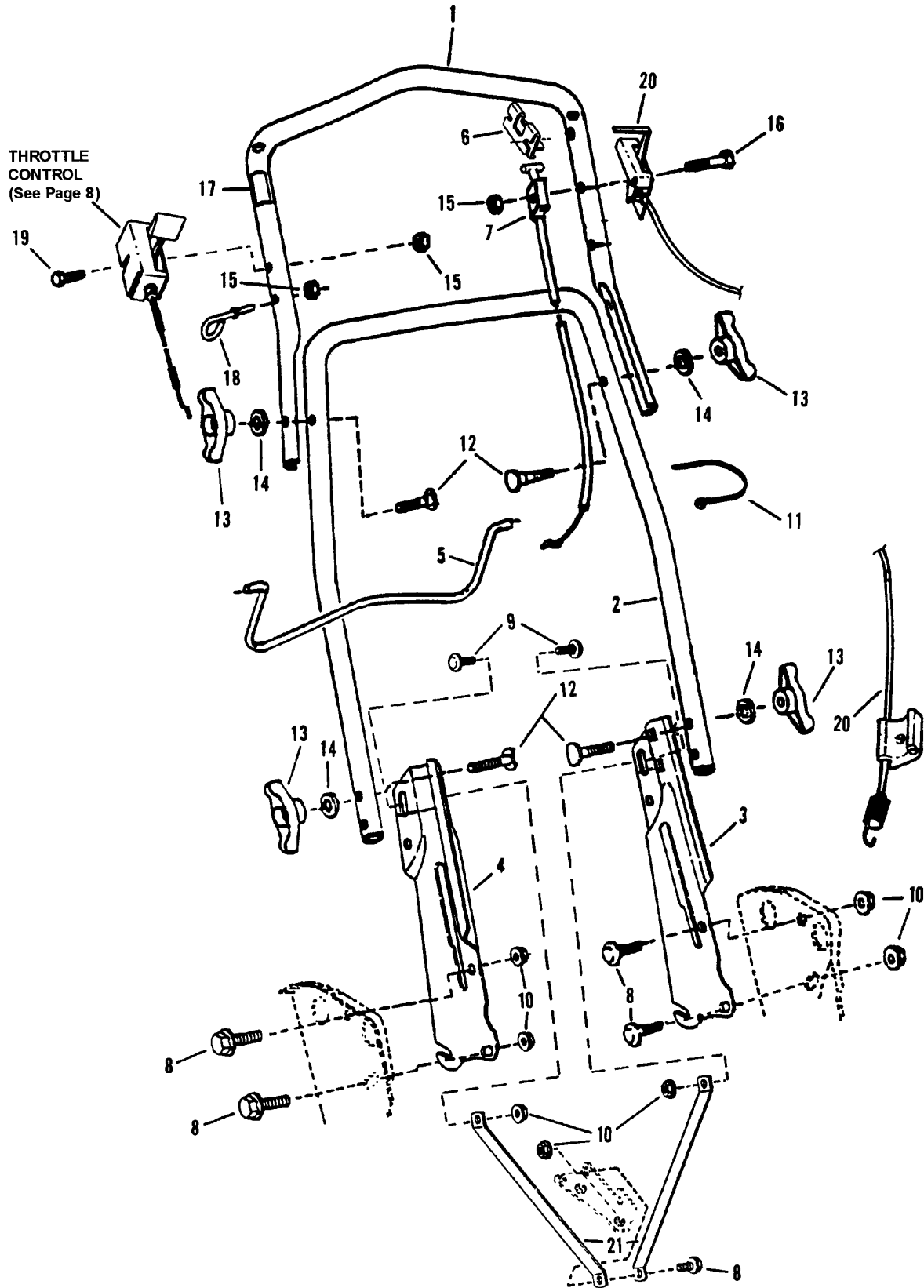


Handles & Controls

Item	Part No	Qty	Description	Note
22	7090895		TEE-NUT, 5/16-18	<i>Used on Self-Propelled</i>
23	7012114		BUSHING, Differential	<i>Used on Self-Propelled</i>
24	7090595		BOLT, 5/16-18 x 3/4" Flange Lock, Grade 5	
25	7090238		SCREW, 5/16-24 x 1" Hex Cap, Grade 5	
26	7090799		BOLT, 5/16-18 x 5/8" Short Neck Carriage, Grade 5	<i>Was 91026 (Used on All)</i>
27	7091601		NUT, 5/16-18 Hex Flange Lock, Grade 5	<i>Was 91070 (Used on All)</i>
28	7046202		BRACKET, Speed Control Rod	<i>Used on Self-Propelled</i>
29	7024641		TIE, Wire	
30	7091740	4	SCREW, 5/16-18 x 1-7/8 Curved Head, Grade 2	<i>Was 91189 (Used on All)</i>
31	7035744	4	T-KNOB, 5/16-18	
32	7041870		LEVER, Speed Control	<i>Used on Self-Propelled</i>
33	7090391	4	WASHER, 5/16 Internal Tooth Lock	
34	7076978	2	NUT, 1/4-20 Hex, Grade 5 or B (2 with Kawasaki Engine)	
35	7090505		SCREW, 1/4-20 x 2" Hex Cap, Grade 5	<i>Used on Commercial</i>
36	7014343	2	BUSHING	
37	7023792		PIN, Clutch Handle	<i>Used on Self-Propelled</i>
38	7091020		PUSH-NUT, 1/4"	<i>(For handle pin). Used on Propelled</i>
39	7024211		DECAL, Blade Control (Right Hand Side)	<i>Used on All (Except Euro)</i>
	7029782		DECAL, Blade Control (Right Hand Side)	<i>Used on Euro</i>
40	7046465		GUIDE, Rope	
41	7026219		CLAMP	
42	7091606		NUT, 5/16-24 Hex Center Lock, Grade 5	<i>Was 91074 (Used on All)</i>
43	7041942		DECAL, Shift Warning	<i>Used on Self-Propelled</i>
44	7091576		NUT, 1/4-20 Hex	<i>Was 91100 (Used on All)</i>
45	7091022		WASHER, 1/4" Internal Tooth Locking	
46	7091813		SCREW, 1/4-20 x 1-3/4 Hex Cap, Grade 5	<i>Was 91222 (Used on All)</i>
47	7046707	2	BRACE	<i>(See "Handles & Controls (Swivel Wheel Model)" illustration and parts list for hardware). Used on Commercial</i>
48	7075634		FOAM GRIP	<i>Was 73115 (Used on All)</i>

Footnotes:

Handles & Controls (Swivel Wheel Model)



Handles & Controls (Swivel Wheel Model)

Item	Part No	Qty	Description	Note
1	7074384		HANDLE, Upper	<i>Was 41933, Used on Swivel</i>
2	7046737		HANDLE, Middle	<i>Used on Swivel</i>
3	7033985		HANDLE, Lower Left Hand	<i>Used on Swivel</i>
4	7033986		HANDLE, Lower Right Hand	<i>Used on Swivel</i>
5	7047011		CONTROL, Blade	<i>Used on Swivel</i>
6	7034872		CLIP, Blade Control	<i>Used on Swivel</i>
7	7073444		CABLE, Blade Control (52-13/16")	<i>Was 46702, Used on Swivel</i>
8	7090595		BOLT, 5/16-18 x 3/4" Flange Lock, Grade 5	<i>Used on Swivel</i>
9	7090799	2	BOLT, 5/16-18 x 5/8" Carriage, Grade 5	<i>Was 91026 (Used on Swivel)</i>
10	7091601	3	NUT, 5/16-18 Hex Flange Lock, Grade 5	<i>Was 91070 (Used on Swivel)</i>
11	7024641		TIE, Wire	<i>Used on Swivel</i>
12	7091740	4	SCREW, 5/16-18 x 1-7/8 Curved Head, Grade 2	<i>Was 91189 (Used on Swivel)</i>
13	7035744	4	T-KNOB, 5/16-18	<i>Used on Swivel</i>
14	7090391	4	WASHER, 5/16 Internal Tooth Lock	<i>Used on Swivel</i>
15	7076978	3	NUT, 1/4-20 Hex, Grade 5 or B	<i>Used on Swivel</i>
16	7090505		SCREW, 1/4-20 x 2" Hex Cap, Grade 5	<i>Used on Swivel</i>
17	7024211		DECAL, Blade Control (R.H. Side)	<i>Used on Swivel</i>
18	7046465		GUIDE, Rope	<i>Used on Swivel</i>
19	7079577		SCREW, 1/4-20 x 1-1/2" Hex Cap, Grade 5	<i>Used on Swivel</i>
20	7046669		CABLE, Swivel Lock	<i>Used on Swivel</i>
21	7046707	2	BRACES, Handle	<i>Used on Swivel</i>

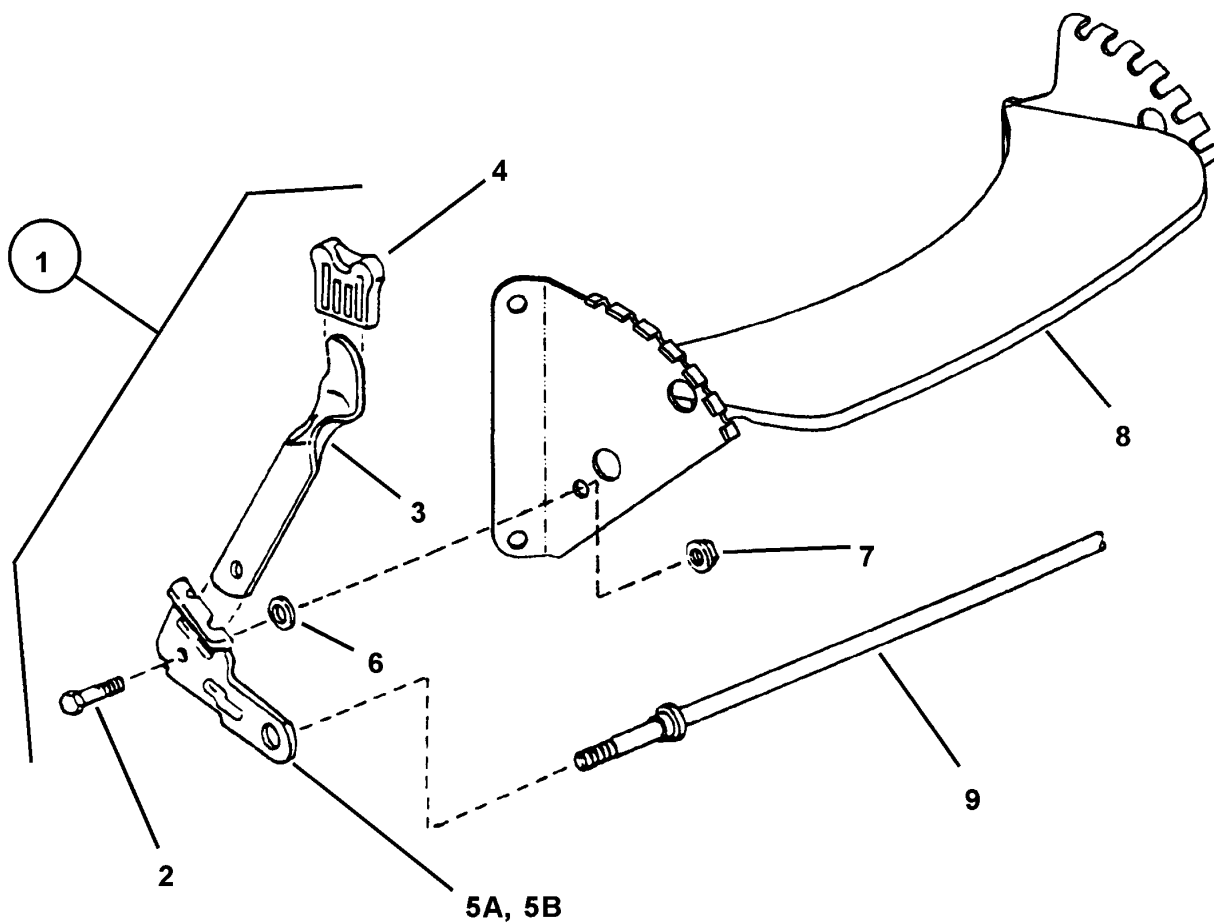
Footnotes:

Cutting Deck, Blade

Item	Part No	Qty	Description	Note
1	7057884		DECK, Mower	<i>(Includes painted Deck with Decals)</i>
2	7091601	10	NUT, 5/16-18 Hex Flange Lock, Grade 5	<i>Was 90585</i>
3	7090731	10	BOLT, 5/16-18 x 1/2" Short Neck Carriage (Gr. 5)	
4	7091169		BOLT, 5/16-18 x 1-1/8" Short Neck Carriage, Grade 5	
5	7090324	3	SCREW, 3/8-16 x 1" Self-Tapping (Engine Mounting)	
6	7090483		SCREW, 3/8-24 x 1-3/4" Hex Head Cap, Grade 5	
7	7012063	2	WASHER, Cone	
8	7041939		BLADE, Cutter	
9	7015626		HUB, Blade Drive 25mm	<i>(Non Commercial Models)</i>
10	7091214		KEY, Woodruff (Briggs)	<i>(Non Commercial Models)</i>
11	7090201		SCREW, 5/16-18 x 5/16" Hex Socket Set	
12	7015780		PULLEY, Engine (25mm I.D. x 2-1/8" O.D.)	<i>(Non Commercial) Models</i>
13	7031968		SHIELD, Belt Opening Cover	<i>(Push Models Only)</i>
14	7091508	2	BOLT, 5/16-18 x 3/4" Short Neck Carriage, Grade 5	<i>Was 90001 (Only 1 Shown)</i>
15	7011791	2	RETAINER, 5/16 Bolt	<i>(Only 1 Shown)</i>
16	7091601	3	NUT, 5/16-18 Hex Flange Lock, Grade 5	<i>Was 91070</i>
17	7010783	2	KEY, Woodruff	<i>(Kawasaki Only)</i>
18	7021764		PULLEY, Engine (7/8" I.D. x 2-1/8" O.D.)	<i>(Kawasaki Only)</i>
19	7012927		HUB, Blade Drive 7/8"	<i>(Kawasaki Only)</i>
20	7026407		BLADE, Cutter (Mulching)	<i>(Quad Edge - Ninja) (Kawasaki Only)</i>
21	7046446		BAFFLE, Belt	
22	7029000		SPACER	
23	7090167		SCREW, 3/8-24 x 2" Hex Head Cap, Grade 5	<i>(Kawasaki Only)</i>
24	7046471		PLUG, 5/16" Square Hole	<i>(qty 3 on Push) (Only 1 Shown)</i>
25	7045264		PLUG, 5/16" Round Hole	<i>(qty 3 on Push; qty 2 on Self-propelled) (1 Shown)</i>
26	7091076		WASHER, 5/16" Flat	<i>(European)</i>
27	7031961	2	WASHER, 7/16" Flat	<i>(European)</i>
28	7033863		COVER, Belt	<i>(European)</i>
29	7090534		SCREW, 5/16-18 x 1/2" Hex Head Cap Grade 5	<i>(European)</i>
30	7013320		BUSHING	<i>(European)</i>
31	7090702		BOLT, 5/16-18 x 2-1/4" Hex Flange Lock	<i>(European)</i>
32	7041400		STRUCTURE, Fender	<i>(European)</i>
33	7091122	4	SCREW, 1/4-20 x 1/2" Hex Self-tapping	<i>Was 90539 (European)</i>
34	7091192		WASHER, 1/2" Flat	<i>(For model MCRS215014KWV)</i>
35	7029785		DECAL, Operator Safety	<i>(European)</i>
36	7046780	2	PLUG, Hole	

Footnotes:

Front Wheel Bracket (Non-Swivel Wheel Models)

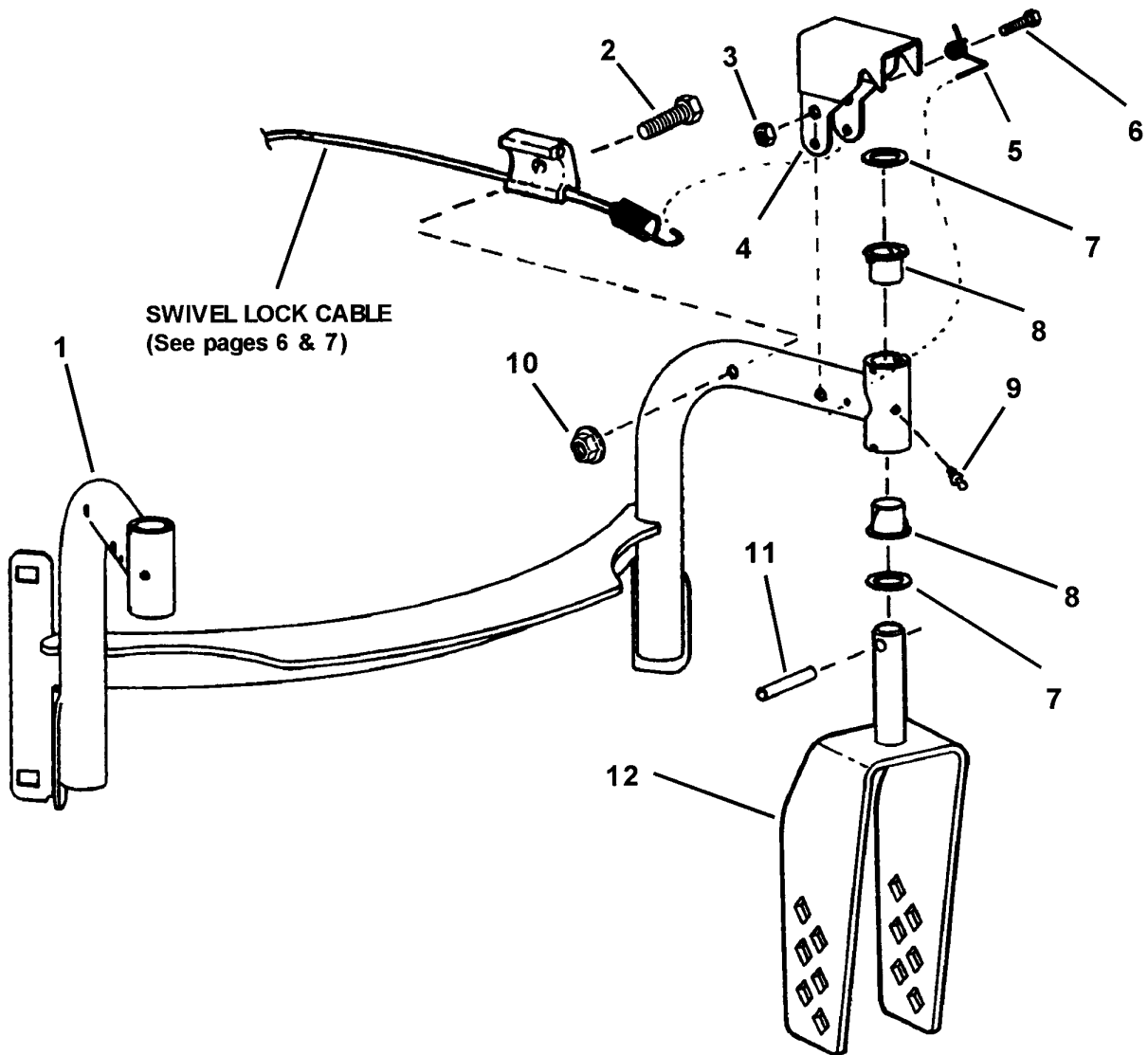


Front Wheel Bracket (Non-Swivel Wheel Models)

Item	Part No	Qty	Description	Note
1	7051886		ASSEMBLY, Arm Right Wheel	<i>(Consists of Items 2, 3, 4, 5A, 6)</i>
	7051885		ASSEMBLY, Arm Left Wheel	<i>(Consists of Items 2, 3, 4, 5B, 6)</i>
2	7015761		BOLT, 5/16-18 x 3/4" Shoulder	
3	7012325		LATCH, Height	
4	7027702		GRIP, Latch	
5A	7031017		ARM, Right Wheel (Round Hole)	
5B	7031016		ARM, Left Wheel (Square Hole)	<i>(Not shown)</i>
6	7011791		RETAINER, 5/16" Bolt	
7	7091601		NUT, 5/16-18 Hex Flange Lock, Grade 5	<i>Was 91070</i>
8	7074702		BRACKET, Front Wheel	<i>Was 41770</i>
9	7021119		AXLE	

Footnotes:

Front Wheel Bracket (Swivel Wheel Model)

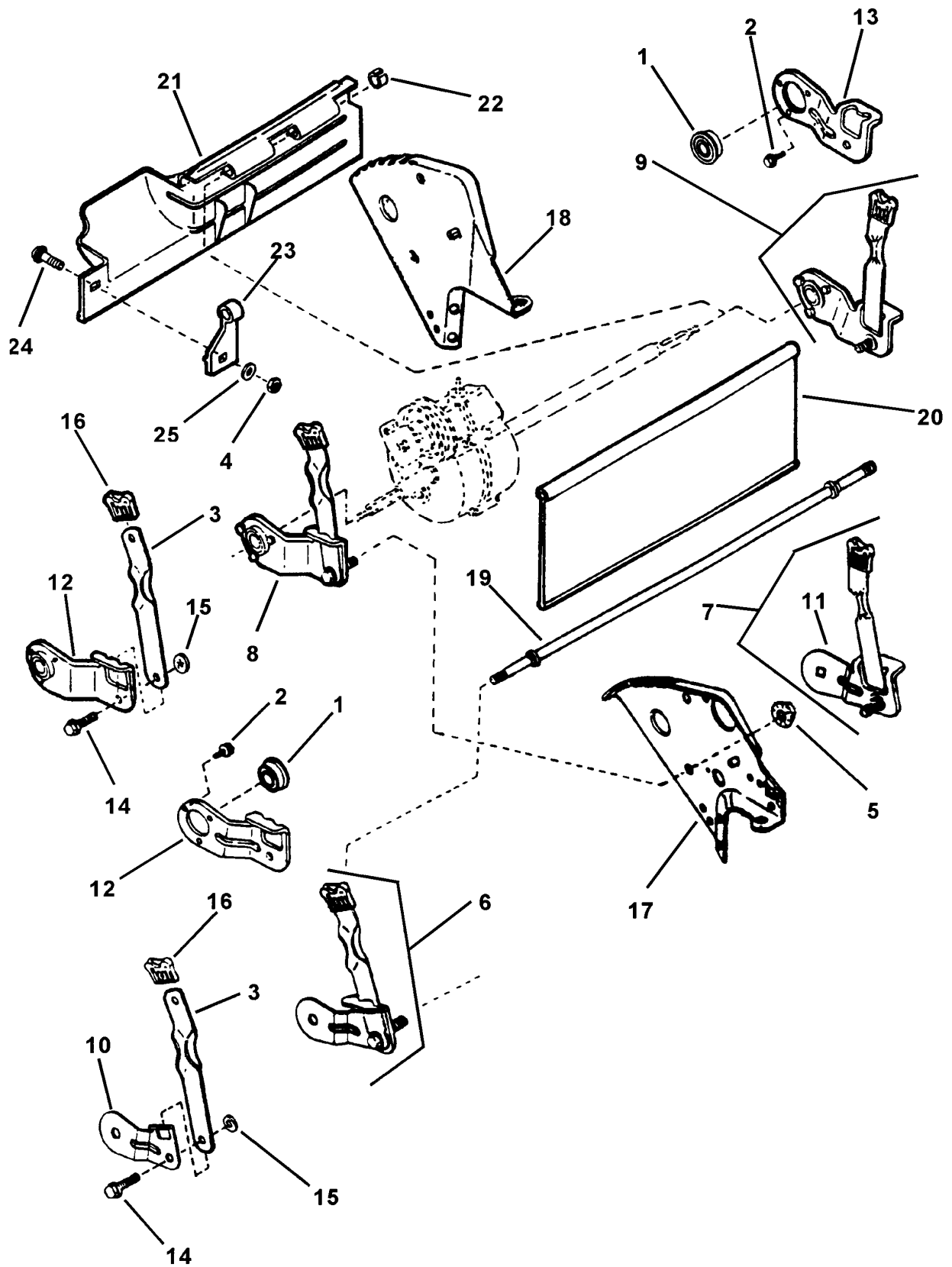


Front Wheel Bracket (Swivel Wheel Model)

Item	Part No	Qty	Description	Note
1	7057782		WELDMENT, Front Bracket	
2	7079577		SCREW, 1/4-20 x 1-1/2" Hex Cap, Grade 5	
3	7090372		NUT, 1/4-20 Hex Lock	
4	7046629		BRACKET, Swivel Lock	
5	7046668		SPRING, Torsion	
6	7090505		BOLT, 1/4-20 x 2" Hex, Grade 5	
7	7027344	4	WASHER, 41/64" Flat	<i>Was 15992</i>
8	7046628	4	BUSHING, 5/8" Nylon	
9	7013864	2	LUBE FITTING, Straight (press-fit for .187 dia. Hole)	
10	7076978		NUT, 1/4-20 Hex Nylok	
11	7014106	2	PIN, 1/4 x 1-3/4" Roll	
12	7057781		WELDMENT, L.H. Swivel Bracket	
	7072230		WELDMENT, R.H. Swivel Bracket	<i>Was 57789 (Not Shown)</i>

Footnotes:

Rear Wheel Brackets, Latches

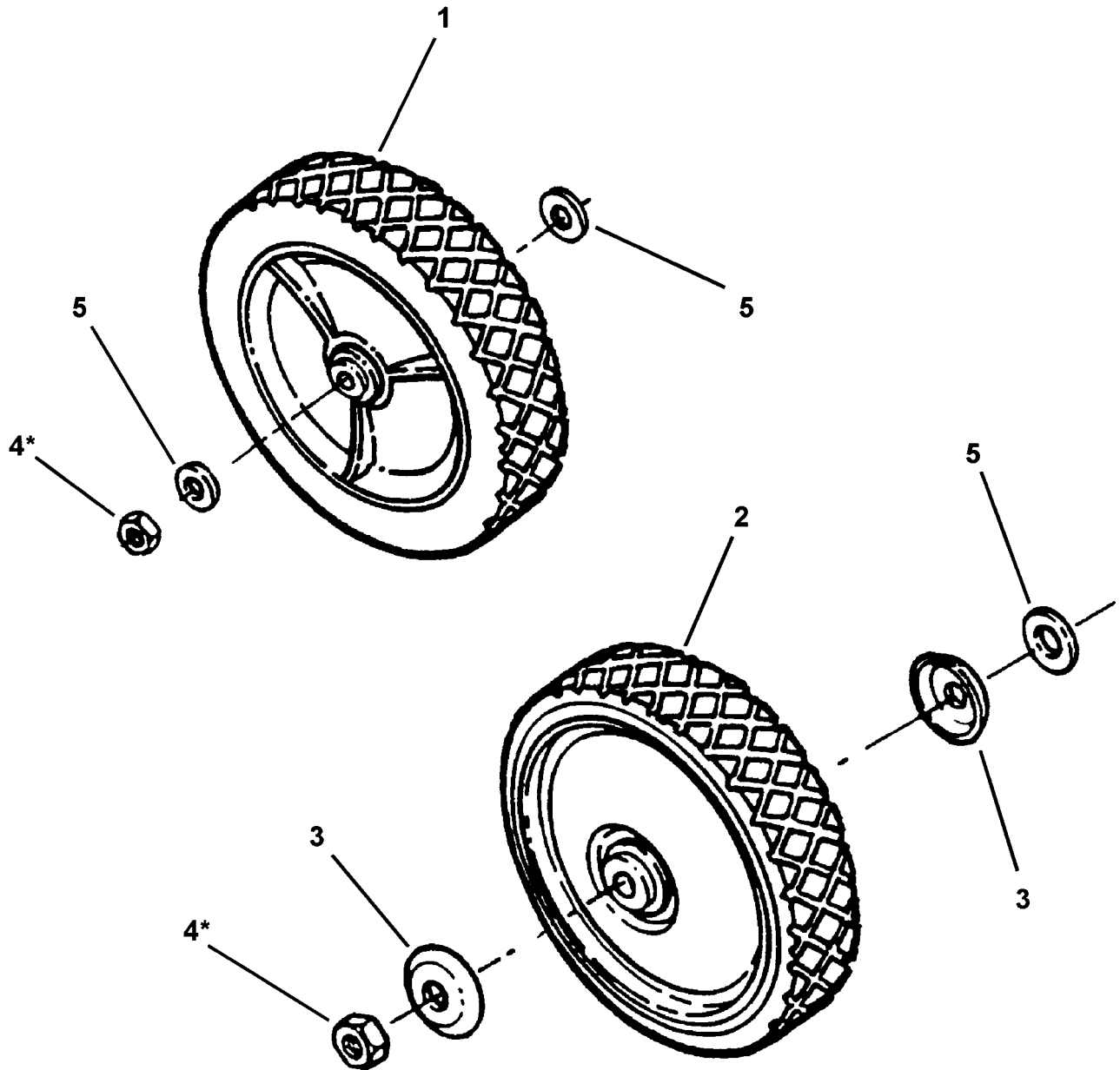


Rear Wheel Brackets, Latches

Item	Part No	Qty	Description	Note
1	7012312		BEARING, 9/16	
	7046983		BEARING, 9/16	Was 18767 (Commercial)
2	7091012	3	SCREW, #10-32 x 3/8" Self-Tapping (Torx)	
3	7035717		LATCH, Height Adjusting (Long)	
4	7091576		NUT, 1/4-20 Hex, Grade 5	Was 90063
5	7091601	6	NUT, 5/16-18 Hex Flange Lock, Grade 5	Was 91070
6	7054228		ASSEMBLY, Wheel Arm (Right Rear)	(Push Models). (Round Opening - Includes Items 3, 10, 14, 15, 16)
7	7054229		ASSEMBLY, Wheel Arm (Left Rear)	(Push Models). (Square Opening - Includes Items 3, 11, 14, 15, 16)
8	7054230		ASSEMBLY, Wheel Arm (Right Rear)	Was 54230 (Self-Propelled models)(Incl. 1, 2, 3, 12, 14, 15 & 16)
	7054246		ASSEMBLY, Wheel Arm (Right Rear)	Was 54224 (Commercial Models)(Includes 1B, 2, 3, 12, 14, 15, 16)
9	7054247		ASSEMBLY, Wheel Arm (Left Rear)	Was 54231 (Self-Propelled Models)(Includes 1, 2, 3, 13, 14, 15, & 16)
	7054247		ASSEMBLY, Wheel Arm (Left Rear)	Was 54225 (Commercial Models)(Includes 1B, 2, 3, 13, 14, 15, & 16)
10	7033776		ARM, Round Axle End (Round Opening) (Right Rear)	(Push Models)
11	7033775		ARM, Square Axle End (Square Opening) (Left Rear)	(Push Models)
12	7032722		ARM, Wheel Right Rear	(Self Propelled Models)
13	7032723		ARM, Wheel Left Rear	(Self Propelled Models)
14	7011078		BOLT, 5/16-18 x 1" Shoulder	
15	7011791		RETAINER, 5/16 Bolt	
16	7027702		GRIP, Latch	
17	7033494		BRACKET, Right Rear Wheel	
18	7033495		BRACKET, Left Rear Wheel	
19	7021119		AXLE	(Rear on Push Models - Also Front on All)
20	7035741		GUARD, Rear Foot	(Push Models)
21	7029008		GUARD, Rear Foot	(Self-Propelled Models) (except European)
	7042918		GUARD, Rear Foot	(European)
22	7023791		RING	
23	7012616		SUPPORT, Foot Guard	
24	7091604		BOLT, 1/4-20 x 1/2" Short Neck Carriage, Grade 5	Was 90005
25	7090053		WASHER, 1/4 Internal Tooth Lock	Was 91023

Footnotes:

Front Wheels (Non-Swivel Wheel Models)



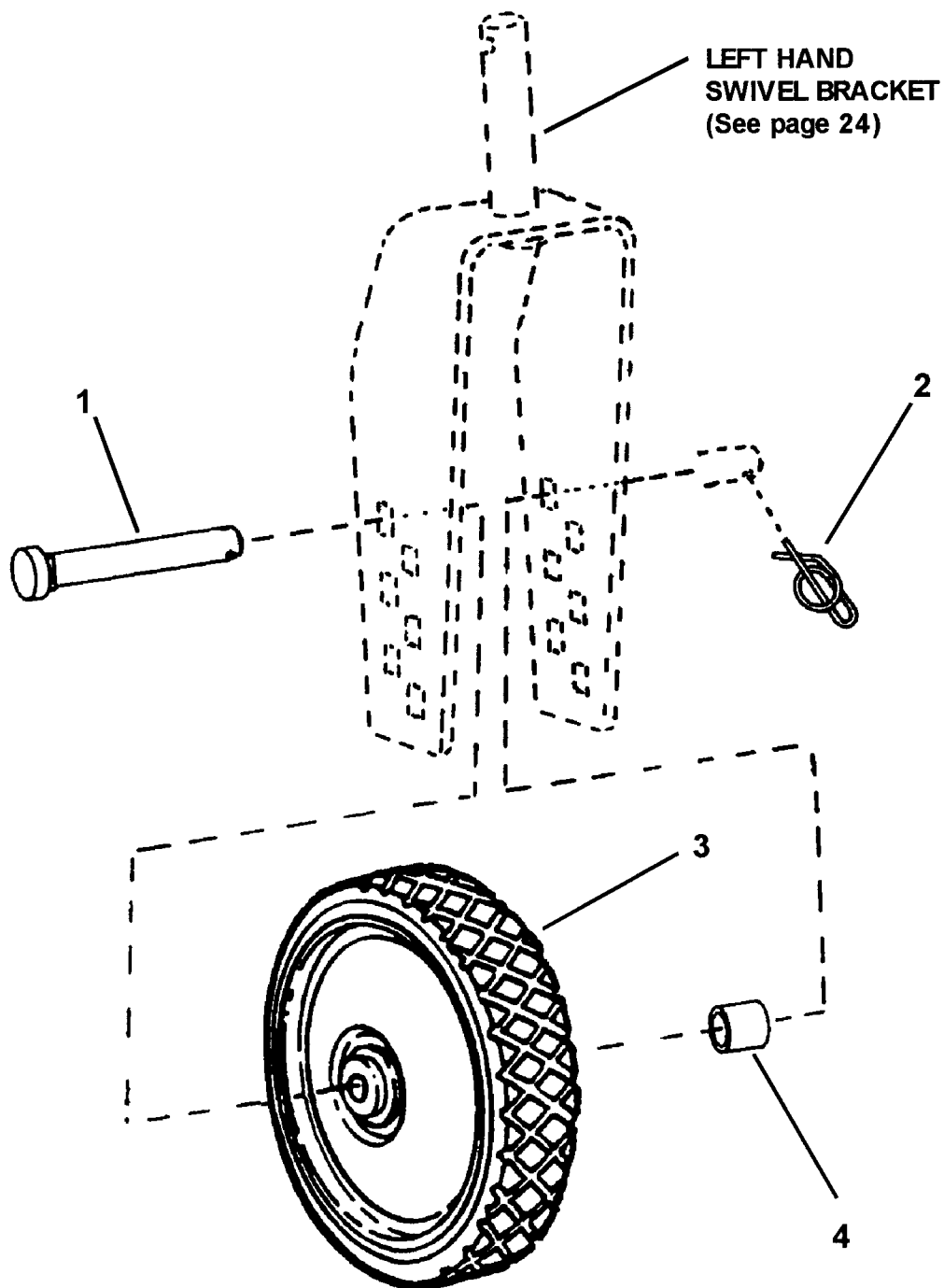
Front Wheels (Non-Swivel Wheel Models)

Item	Part No	Qty	Description	Note
1	7046990		WHEEL, 8 x 1.75 Plastic	<i>Was 41938 (Push & Self-propelled)</i>
2	7035727		WHEEL, 8 x 1.75	<i>(Commercial)</i>
3	7031121	2	HUB-CAP	<i>(Commercial)</i>
4	7090377		NUT, 7/16-20 Hex (Thin)	
5	7031961		WASHER, 7/16 x 1" O.D. Flat	<i>(Qty. of (2) for Push & Self-Propelled & Qty. of 1 for Commercial Models)</i>

Footnotes:

Always replace Wheel Nut P/N 90377 when removing or replacing wheel.

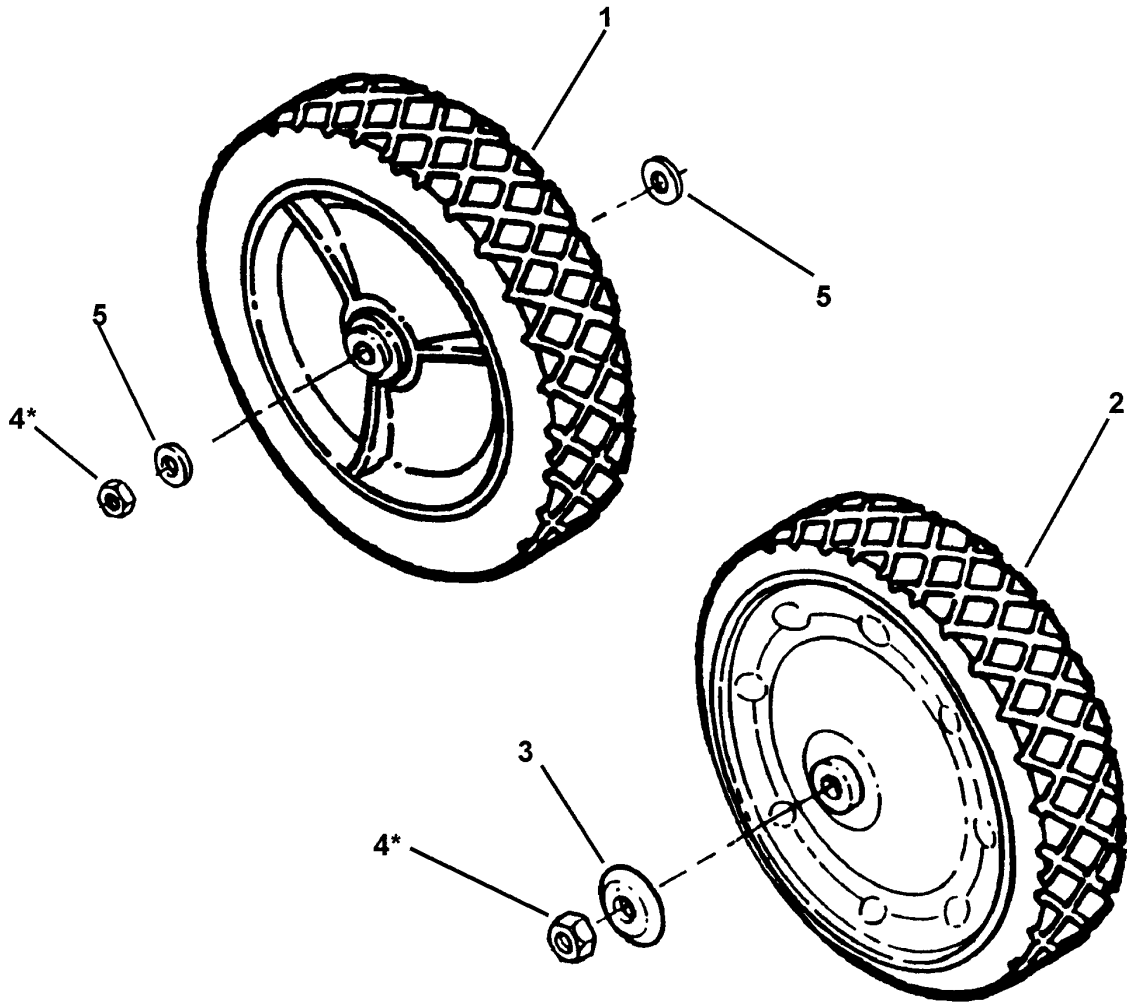
Front Wheels (Swivel Wheel Model)



Front Wheels (Swivel Wheel Model)

Item	Part No	Qty	Description	Note
1	7046667		PIN, Wheel 7/16"x 2.75"	
2	7046708		PIN, Swivel Wheel Lock	
3	7035727		WHEEL, 8 x 1.75 Steel	
4	7046666		SPACER, Wheel	
	7031961	9	WASHER, 7/16" Flat	<i>Space wheel as needed</i>

Footnotes:



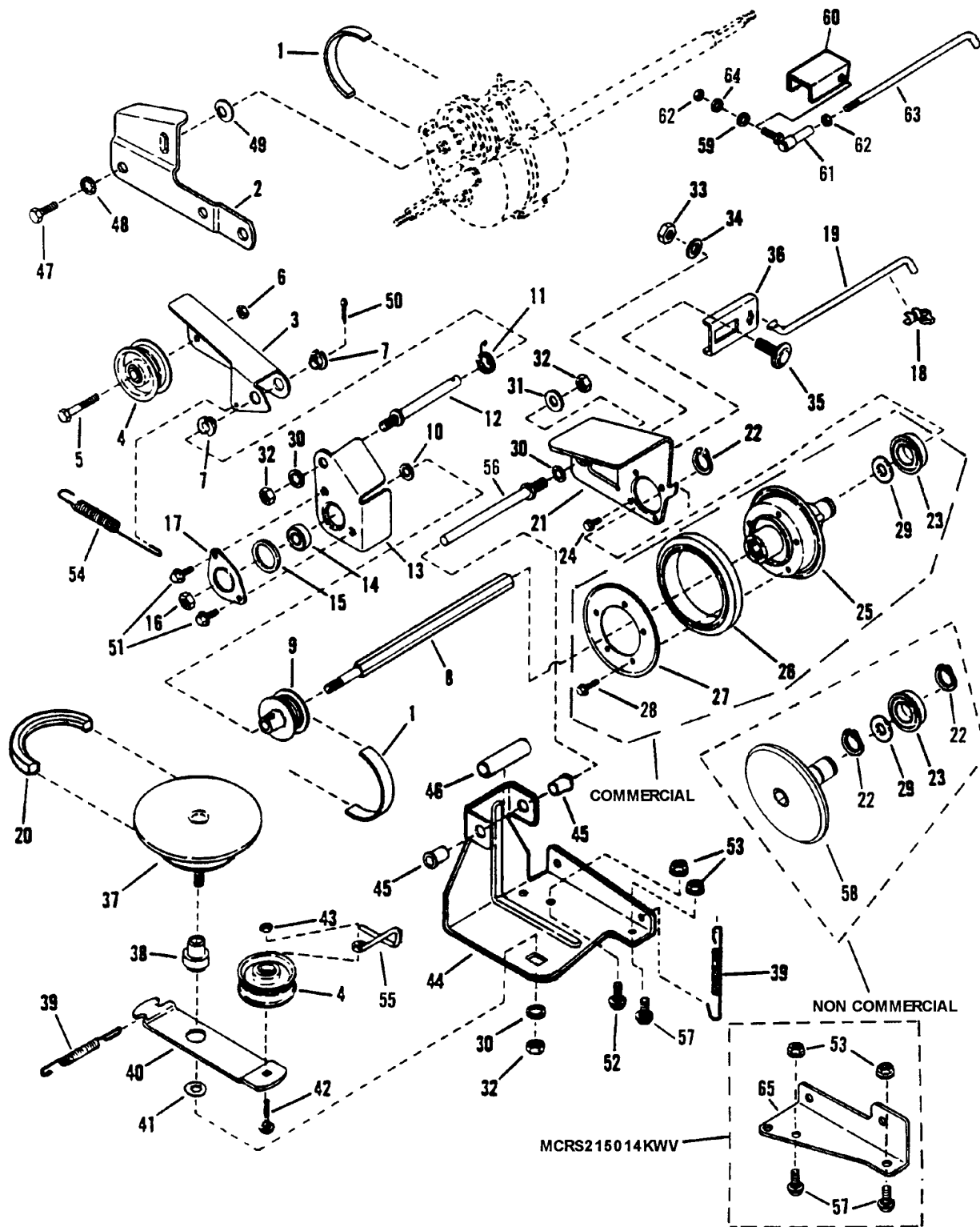
Rear Wheel

Item	Part No	Qty	Description	Note
1	7041987		WHEEL, 10 x 1.75 Plastic	<i>(Push Models)</i>
	7035740		WHEEL, 10 x 1.75 Plastic	<i>(Self-propelled Models)</i>
2	7035726		WHEEL, 10 x 1.75	<i>(Commercial Self-propelled Model)</i>
	7046678		WHEEL, 10 x 1.75 (With Bearing)	<i>(Commercial Push Model)</i>
3	7031960		HUB-CAP	<i>(Commercial Models)</i>
4	7090377		NUT, 7/16-20 Hex (Thin)	
5	7031961		WASHER, 7/16 x 1" O.D. Flat	<i>(Qty. of (2) For Push Models & Qty. of (1) for Self-Propelled Models)</i>

Footnotes:

Always replace Wheel Nut P/N 90377 when removing or replacing wheel.

Drive System Self-Propelled

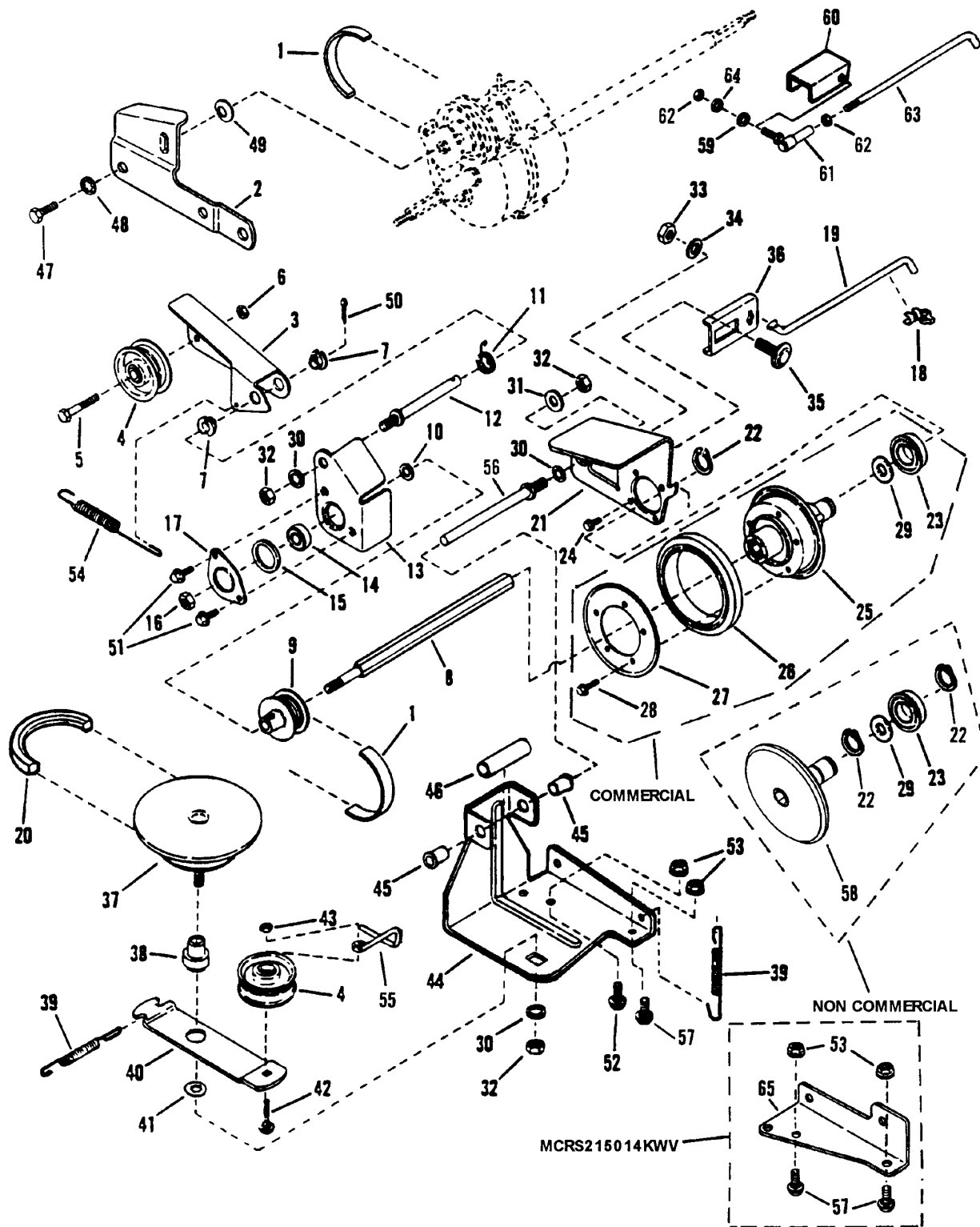


Drive System Self-Propelled

Item	Part No	Qty	Description	Note
1	7012354		BELT, Poly-Vee	
2	7034179		LINK, Differential	
	7051921		ASSEMBLY, Clutch Idler	<i>Includes items 3 thru 7</i>
3	7032832		ARM, Clutch Idler	
4	7012124	2	PULLEY, Idler	
5	7091025		SCREW, 1/4-28 x 1-3/8" Hex Head Cap, Grade 5	
6	7090303		NUT, 1/4-28 Hex Top Lock	
7	7012117	2	BUSHING, 3/8 I.D. Nylon	
8	7072284		SHAFT, Hex Drive	<i>Was 23744</i>
9	7024521		PULLEY, Poly-V (2" O.D.)	<i>Non Commercial Models</i>
	7019383		PULLEY, Poly-V (2" O.D.)	<i>Commercial Models</i>
10	7012316		WASHER, 3/8" Flat	
11	7012126		SPRING, Torsion	
12	7012111		STUD	
13	7031873		HOLDER, Bearing (Inner Half)	
14	7028014		BEARING, Ball	
15	7011025		O-RING	
16	7090289		NUT, 3/8-24 Hex Center Lock, Grade 5	
17	7031809		HOLDER, Bearing (Outer Half)	
18	7010937		CLIP, 1/4 Right Arc (Transfer Rod)	
19	7023790		ROD, Transfer	<i>(Except European)</i>
	7051698		ASSEMBLY, Transfer Rod	<i>(Incl. items 61, 62 & 63) (European)</i>
20	7012353		BELT, Engine Drive	
	7046784		BELT, Engine Drive (Stretch Type Belt)	<i>MRP216014B Model</i>
	7053225		ASSEMBLY, Driven Disc	<i>Includes items 21 thru 29</i>
21	7035477		PLATE, Thrust	
22	7010746		RING, Retaining	<i>(Qty 2 on Self-Propelled)(Qty 1 on Commercial)</i>
23	7026693		BEARING, Ball	<i>Self-Propelled Models</i>
	7029027		BEARING, Ball	<i>Commercial Models</i>
24	7090981	4	SCREW, #10-32x1/4" Self-Tapping Machine	<i>Commercial Models</i>
25	7061276		ASSEMBLY, Hub (Includes 7011108 Bushing & 7090913 Screws)	<i>Was 53217</i>
26	7023364		RING, Driven	<i>Commercial Models</i>
27	7031013		PLATE, Ring Retaining	<i>Commercial Models</i>
28	7090913	5	SCREW, #10-24 x 1/2" Self-Tapping Machine (Torx)	<i>(Commercial)</i>
29	7010121		WASHER, 3/4 Shim	<i>Commercial Models</i>
30	7090390	3	WASHER, 3/8 Internal Tooth Lock	
31	7090122		WASHER, 3/8" Flat	

Footnotes:

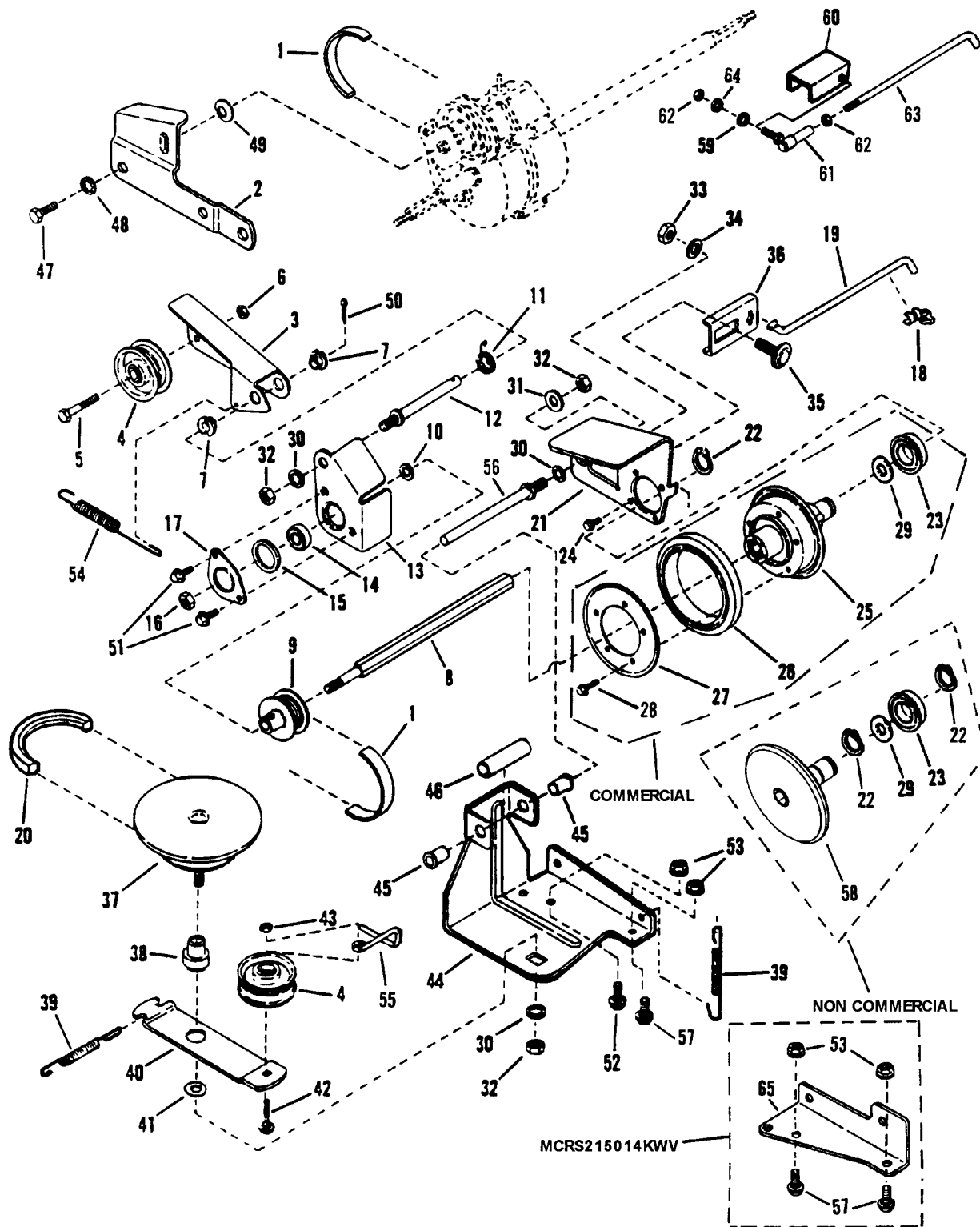
Drive System Self-Propelled



Drive System Self-Propelled

Item	Part No	Qty	Description	Note
32	7091630	3	NUT, 3/8-24 Hex, Grade B	Was 90155
33	7091511		NUT, 5/16-18 Hex, Grade 5	Was 90196
34	7090187		WASHER, 5/16 Split Lock	
35	7090316		BOLT, 5/16-18 x 3/4" Carriage, Grade 5	Was 91097
36	7032831		CONNECTOR, Transfer Rod	
37	7061275		KIT, Drive Disc Assembly	
38	7017696		BUSHING	
39	7029025	2	SPRING (Wheel Drive & Idler)	
40	7032116		ARM, Idler	
41	7013847		RETAINER, 3/8" Bolt	
42	7090947		BOLT, 1/4-20 x 1-1/2" Carriage, Grade 5	
43	7090372		NUT, 1/4-20 Hex Center Lock, Grade 5 or B	
44	7052987		ASSEMBLY, Deck Bracket	Was 59462 (1999 MRP Model)
44	7052987		ASSEMBLY, Deck Bracket	(Includes items 44, 45 & 46) (MCRP Model)
44	7033774		BRACKET, Deck	Was 31919
45	7012117	2	BUSHING, Flange Plastic	Non Commercial Models
45	7012306	2	BUSHING, Flange	Commercial Models
46	7021758		SPACER	Commercial Models
47	7090534		SCREW, 5/16-18 x 1/2" Hex Head Cap, Grade 5	
48	7090391		WASHER, 5/16 Internal Tooth Lock	
49	7011724		WASHER, Spring	
50	7091597		PIN, 3/32 x 1/2" Cotter	Was 90555
51	7091122	2	SCREW, 1/4-20 x 1/2" Self-Tapping	Was 90539
52	7090731		BOLT, 5/16-18 x 1/2" Short Neck Carriage, Grade 5	
53	7091601	2	NUT, 5/16-18 Hex Flange Lock, Grade 5	Was 91070
54	7012122		SPRING, Clutch	
55	7016380		SCRAPER, Drive Pulley	
56	7012125		GUIDE, Thrust Plate	
57	7090799		BOLT, 5/16-18 x 5/8" Short Neck Carriage, Grade 5	Was 91026
58	7041855		DISC, Driven (Cantilever)	Non Commercial Models
59	7090053		WASHER, 1/4" Internal Tooth Lock	European Models
60	7032664		SHIELD, Hex Shaft	European Models
61	7015753		JOINT, Ball	European Models
62	7090095		NUT, 1/4-28 Hex Grade 5	European Models
63	7015752		LINK, Transfer	European Models

Footnotes:

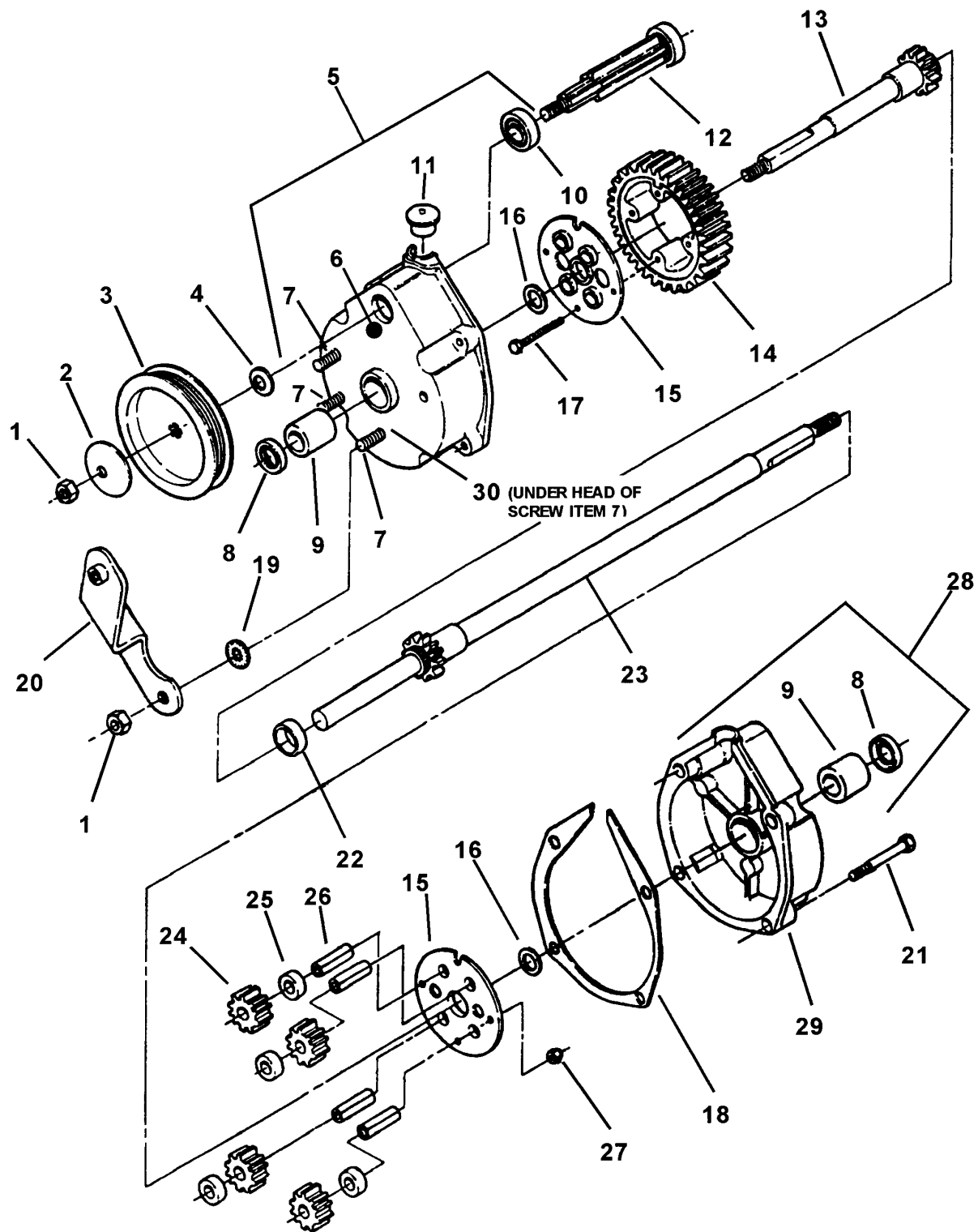


Drive System Self-Propelled

Item	Part No	Qty	Description	Note
64	7091294		WASHER, 1/4" Flat	<i>Was 90055 (European Models)</i>
65	7037732		BRACKET, Strap	<i>MCRS215014KWV Model</i>

Footnotes:

Transmission (Differential)

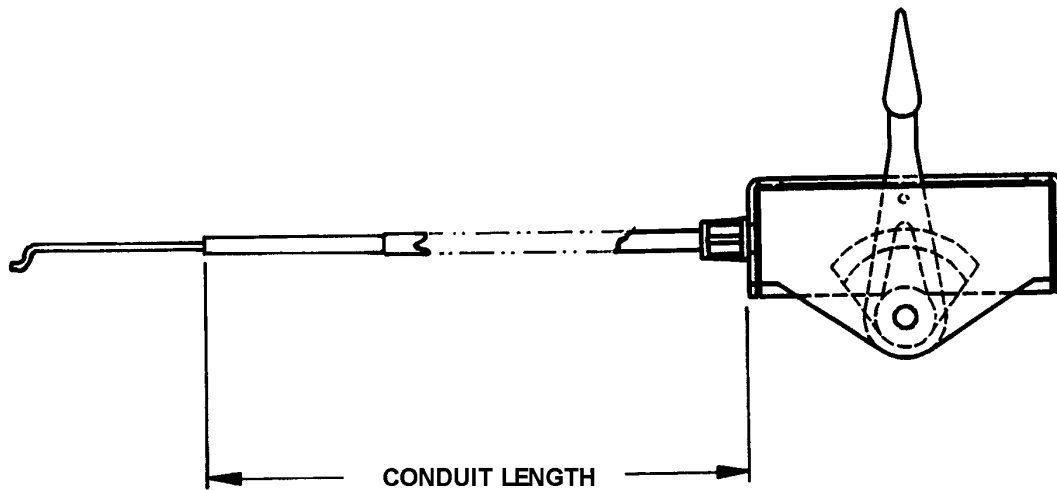


Transmission (Differential)

Item	Part No	Qty	Description	Note
	7059070		ASSEMBLY, Transmission	Was 53945 (Includes 1 thru 30)
1	7092062	4	NUT, 5/16-24 Hex Lock	Was 11201 (Only 2 Shown)
2	7014263		WASHER, Spring	
3	7019213		PULLEY, Poly-Vee Belt	
4	7011724	2	WASHER, Spring	(Only 1 Shown)
5	7053942		ASSEMBLY, Housing Right	(Includes items 6, 7, 8, 9, 10 & 30)
6	7029034		HOUSING, Right Side	
7	7014155	3	SCREW, 5/16-24 x 1-1/8" Rib Neck, Grade 5	
8	7012314	2	SEAL, 5/8 I.D.	
9	7029035	2	BEARING, Differential	
10	7073963		BEARING, Ball	Was 11767
11	7016544		PLUG, Housing	
12	7050767		GEAR, Input	
13	7050830		AXLE, Short	
14	7012495		GEAR, Differential (46 Tooth)	
15	7031970	2	PLATE	
16	7031965	2	WASHER, Thrust	
17	7090557	4	SCREW, #10-32 x 1-1/2" Hex Head Cap,	(Only 1 Shown)
18	7011774		GASKET, Housing	
19	7090189	3	WASHER, 5/16 Internal/External Tooth Lock	(1 Shown)
20	7051903		BRACKET, Differential	
21	7091825	4	SCREW, 1/4-20 x 1-1/4" Self-Tapping	(Only 1 Shown)
22	7012543		SPACER, Axle Gear	
23	7050831		AXLE, Long	
24	7021115	4	GEAR, Pinion (12 Tooth)	
25	7012500	4	SPACER, Pinion Gear	
26	7011110	4	SHAFT, Pinion	
27	7090376	4	NUT, #10-32 Hex Nyloc	(Only 1 Shown)
28	7053939		ASSEMBLY, Housing Left	(Includes items 8, 9 & 29)
29	7029033		HOUSING, Left Side	
30	7024442	3	GASKET, 5/8 O.D.	
	7061017		"00" GREASE (32 oz.)	

Footnotes:

NOTE: Installing over 4 oz. of grease will cause the differential to leak.



Throttle Controls

Item	Part No	Qty	Description	Note
	7026467		4 Cycle - Conduit Length - 49.00"	<i>For KAWASAKI Commercial models only</i>

Footnotes:

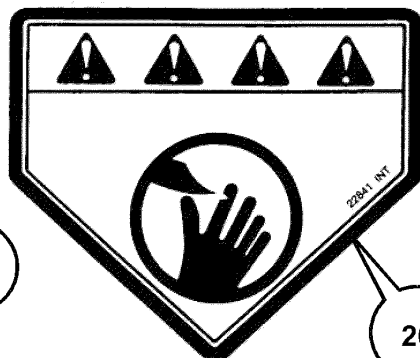
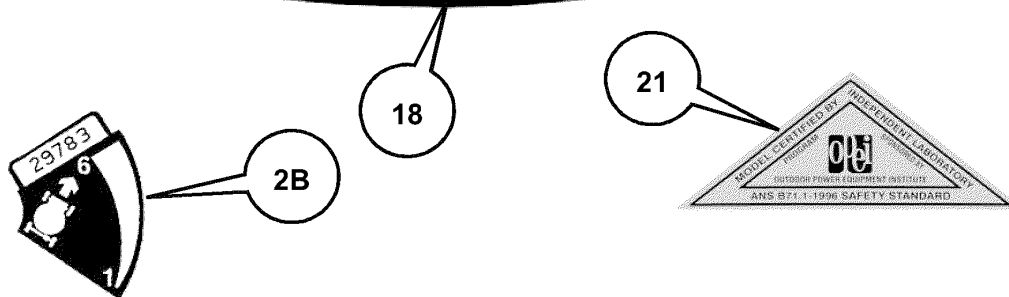
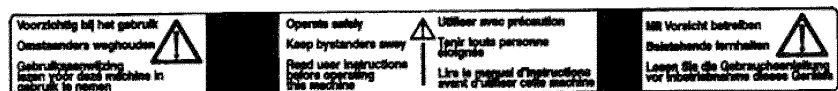
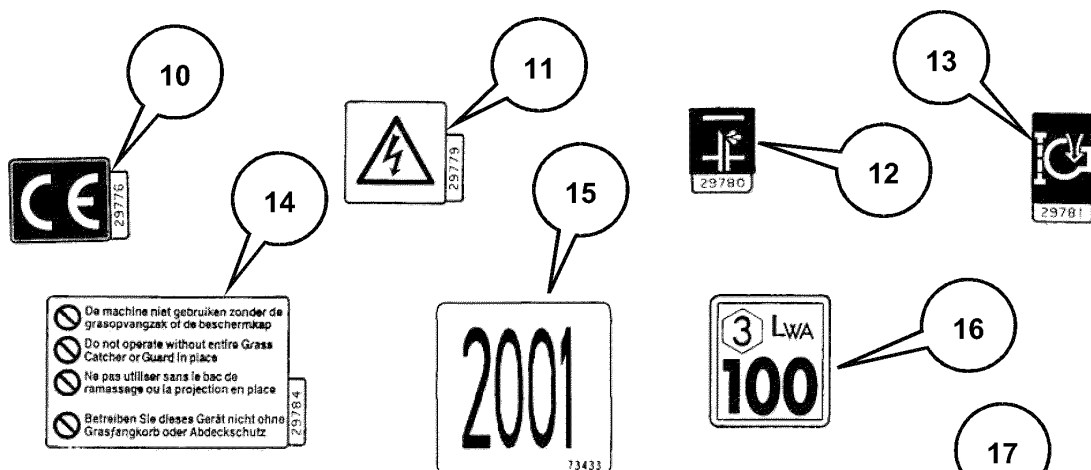
NOTE: B&S and Tec. engine models have fixed speed engines. No throttle control used.



Decals (Part 1)

Item	Part No	Qty	Description	Note
1A	7024211		DECAL, Blade Control	
2A	7024087		DECAL, Speed Sector (Self-Propelled)	
3	7013010		DECAL, Danger	
4	7029713		DECAL, Snapper	
5	7029657		DECAL, SNAPPER 3.87 Dia. (Push)	
6	7046357		DECAL, Warning	
7	7041942		DECAL, Shift Warning (Self-Propelled)	
8	7028440		DECAL, Deck Warning	
	7072921		DECAL, Deck Warning	<i>(On Models EMRP216014B & MR215015T)</i>
9	7029470		DECAL, Patent Numbers	

Footnotes:

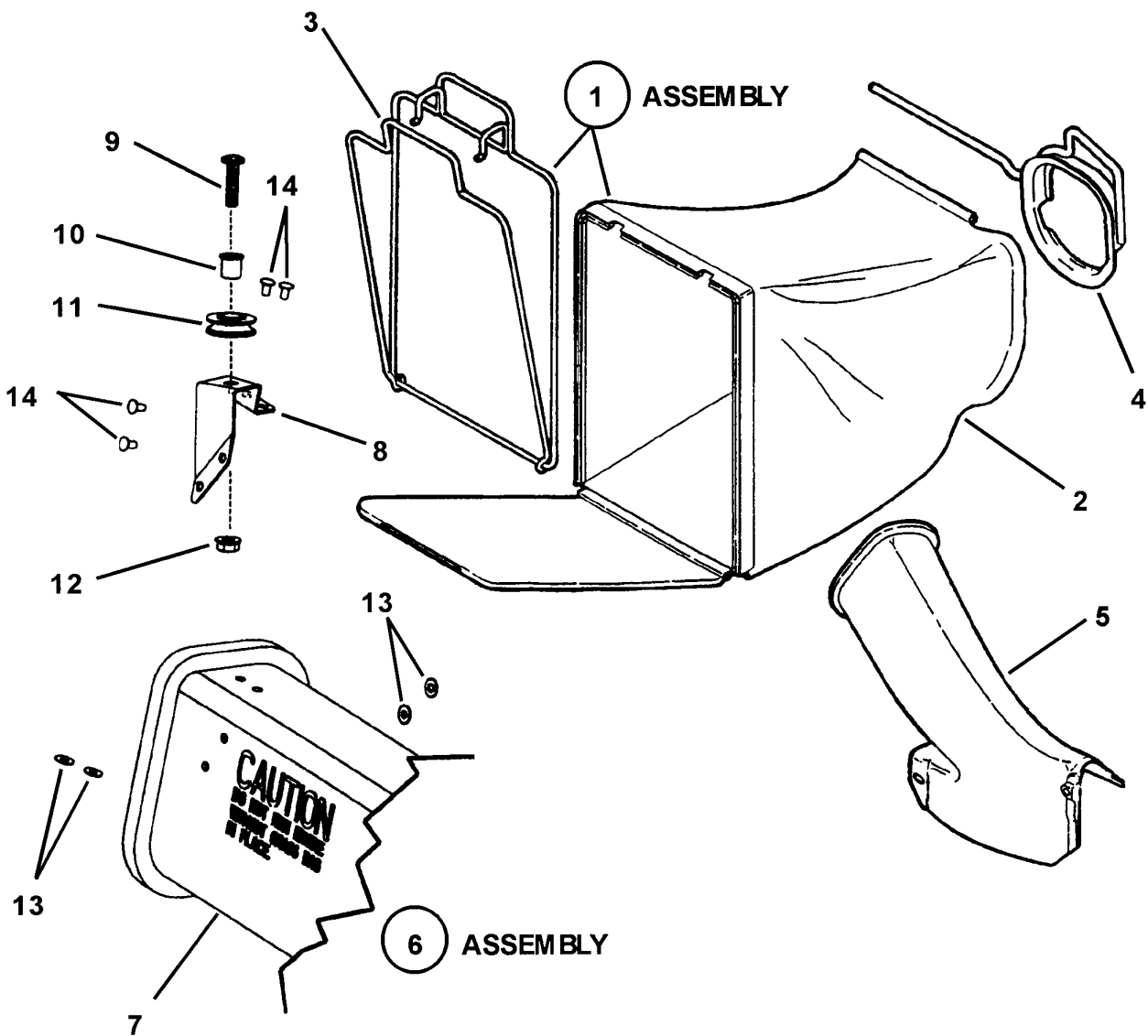


Decals (Part 2)

Item	Part No	Qty	Description	Note
1B	7029782		DECAL, Blade Control (Euro)	
2B	7029783		DECAL, Speed Sector (Self-Propelled) (European)	
10	7029776		DECAL, CE (European)	
11	7029779		DECAL, Spark Plug (European)	
12	7029780		DECAL, Primer (European)	
13	7029781		DECAL, Air Filter (European)	
14	7029784		DECAL, Deck/Chute (European)	
15	7073433		DECAL, 2001 Year of Manufacture	(Shown)
	7072404		DECAL, 1999 Year of Manufacture	(Not shown)
	7041827		DECAL, 1998 Year of Manufacture	(Not shown)
	7036434		DECAL, 1997 Year of Manufacture	(Not shown)
16	7023009		DECAL, Noise (European)	
17	7029785		DECAL, Operator Safety (European)	
18	7046714		DECAL, Deck Snapper	
19	7046720		DECAL, Chute/Deflector Warning	
20	7022841		DECAL, Warning	
21	7073335		DECAL, OPEI	

Footnotes:

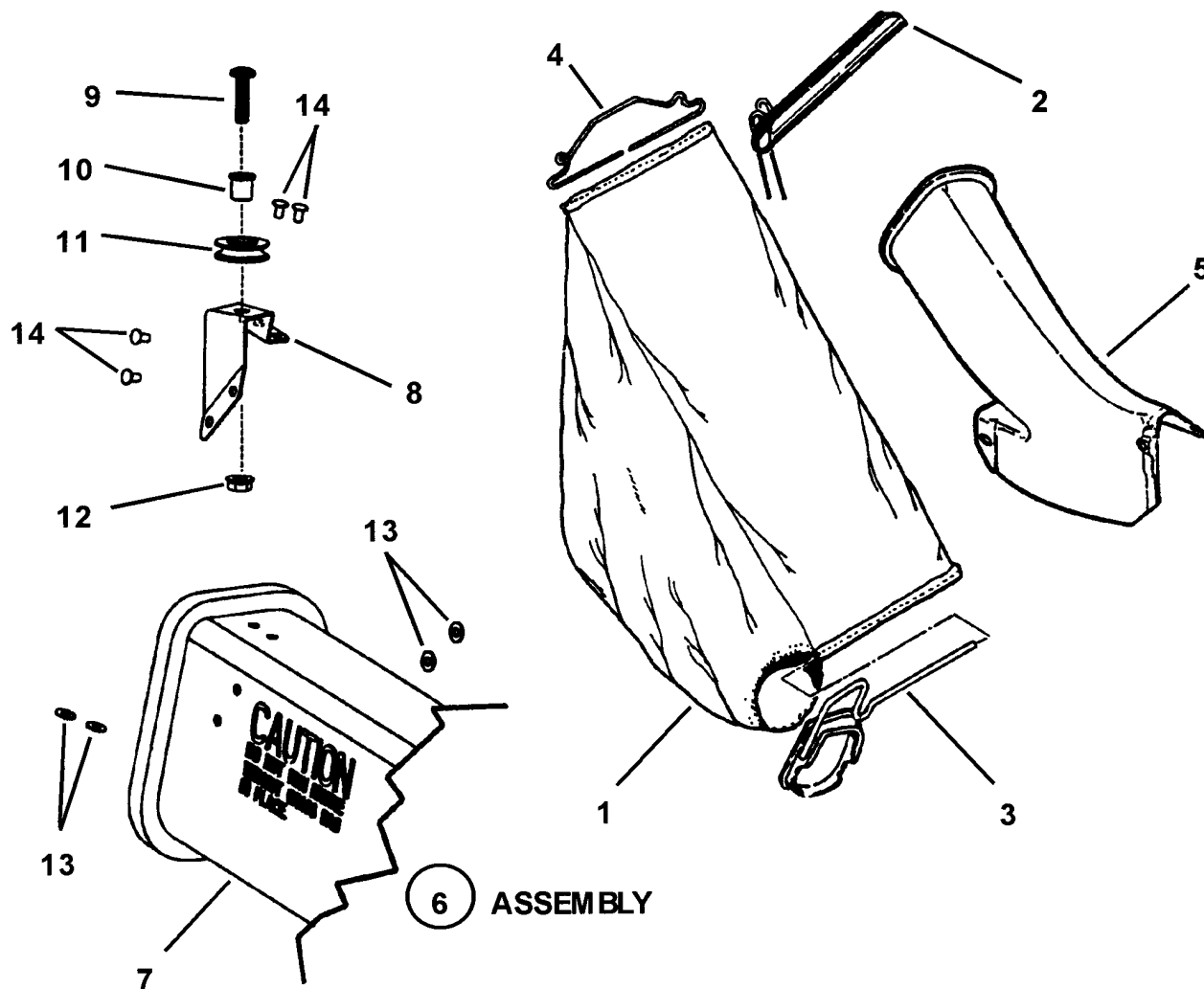
Grass Bag (Non-Swivel Wheel Models)



Grass Bag (Non-Swivel Wheel Models)

Item	Part No	Qty	Description	Note
	7060935		KIT, Grass Bag Catcher	<i>Was 61919 (Includes 2 thru 4)</i>
1	7059322		ASSEMBLY, Grass Bag	<i>Was 54058 (Includes 2 thru 4)</i>
2	7074425		BAG, Door Type (Wide) (Black) (13" Wide)	<i>Was 29963</i>
3	7051906		ASSEMBLY, Bag Wire (13" Wide)	
4	7042489		CONNECTOR, Grass Bag	
5	7016050		ADAPTER, Bag	
6	7058037		ASSEMBLY, Bag Adapter	<i>(Includes items 7 thru 14)</i>
7	7047081		ADAPTER, Bag	
8	7047082		BRACKET, Rope Pulley	
9	7091984		SCREW, 5/16-18 x 1-1/4" Pan Head Machine	
10	7012306		BUSHING, Flange	
11	7024228		PULLEY, Plastic	
12	7091601		NUT, 5/16-18 Hex Flange Lock, Grade 5	<i>Was 91070</i>
13	7072107	4	WASHER, 15/32"	
14	7013860	4	RIVET, 3/16 x .344	

Footnotes:

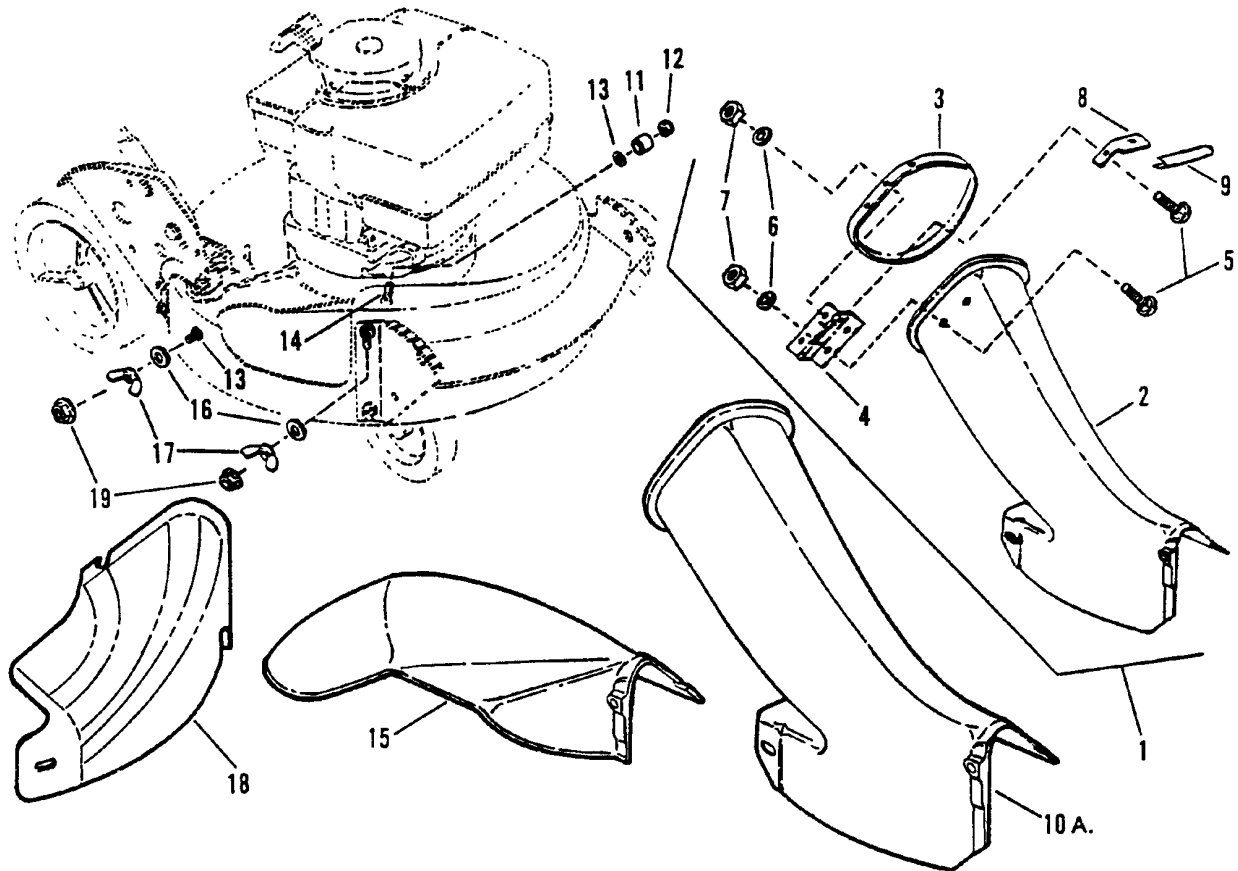


Grass Bag (Swivel Wheel Model)

Item	Part No	Qty	Description	Note
	7060936		KIT, Grass Bag Catcher	<i>(Includes items 1 thru 4)</i>
1	7074426		BAG, Grass	<i>Was 23774 (Commercial)</i>
2	7050711		ASSEMBLY, Slider	
3	7042489		CONNECTOR, Grass Bag	
4	7019247		WIRE, Bag Connector	
5	7016050		ADAPTER, Bag	
6	7058037		ASSEMBLY, Bag Adapter	<i>(Includes items 7 thru 14)</i>
7	7047081		ADAPTER, Bag	
8	7047082		BRACKET, Rope Pulley	
9	7091984		SCREW, 5/16-18 x 1-1/4" Pan Head Machine	
10	7012306		BUSHING, Flange	
11	7024228		PULLEY, Plastic	
12	7091601		NUT, 5/16-18 Hex Flange Lock, Grade 5	<i>Was 91070</i>
13	7072107	4	WASHER, 15/32" Flat	
14	7013860	4	RIVET, 3/16 x .344	

Footnotes:

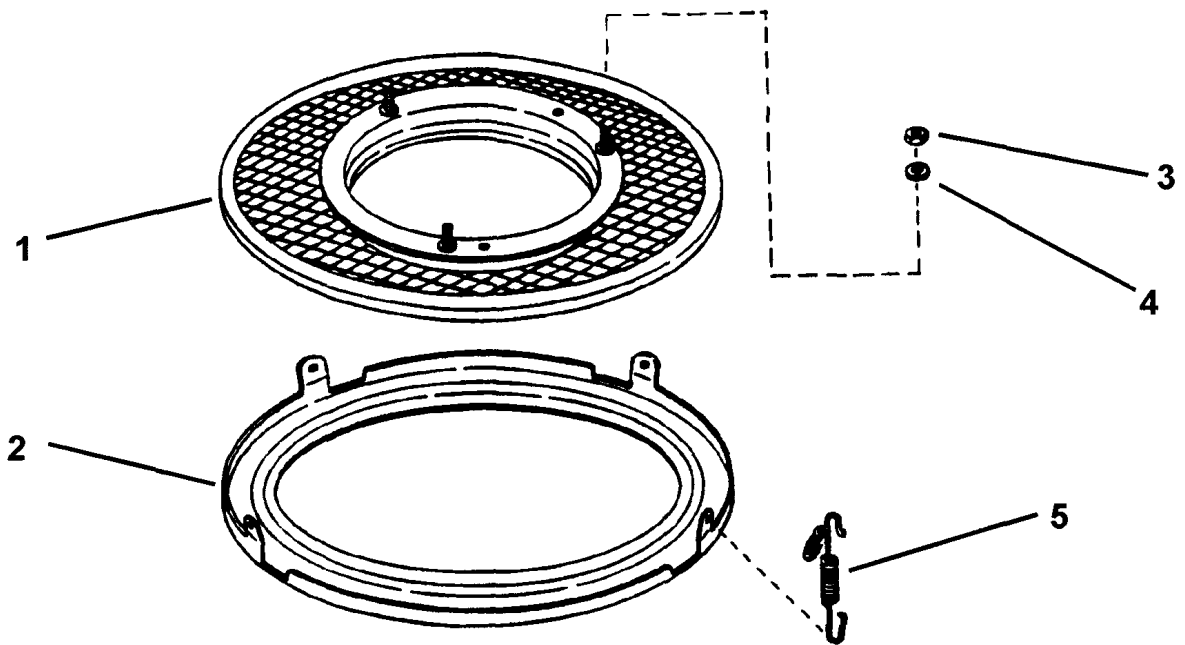
Side Chute, Adapter



Side Chute, Adapter

Item	Part No	Qty	Description	Note
1	7051951		ASSEMBLY, Bag Adapter & Cover	<i>(For European Models Only). (Includes items 2 thru 9)</i>
2	7016107		ADAPTER, Grass Bag	
3	7019287		COVER, Bag Adapter	
4	7023000		HINGE, Chute Cover	
5	7091064	5	BOLT, 1/4-20 x 1/2" Short Neck Carriage, Grade 5	
6	7090053	5	WASHER, 1/4 Internal Tooth Lock	<i>Was 91023</i>
7	7091576	5	NUT, 1/4-20 Hex, Grade 5	<i>Was 91100</i>
8	7032661		STOP, Cover	
9	7023042		MOLDING, Trim	
10A	7016050		ADAPTER, Grass Bag	
11	7024340		SPACER	
12	7090951		NUT, 5/16-18 Hex Flange Center Lock	
13	7011791	2	RETAINER, 5/16 Bolt	
14	7091508		BOLT, 5/16-18 x 3/4" Short Neck Carriage, Grade 5	<i>Was 90001</i>
15	7042965		CHUTE, Side	
16	7090122	2	WASHER, 3/8" Flat	<i>Was 91514</i>
17	7024085	2	WING-NUT, 5/16-18 Nyloc	
18	7029149		COVER, 21" Deck	
19	7090951	2	NUT, 5/16-18 Large Flange Center Lock	

Footnotes:

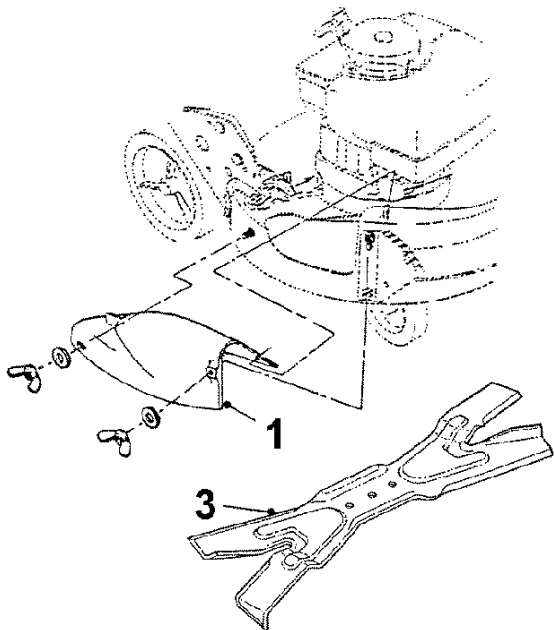


Accessory - Snapperizer

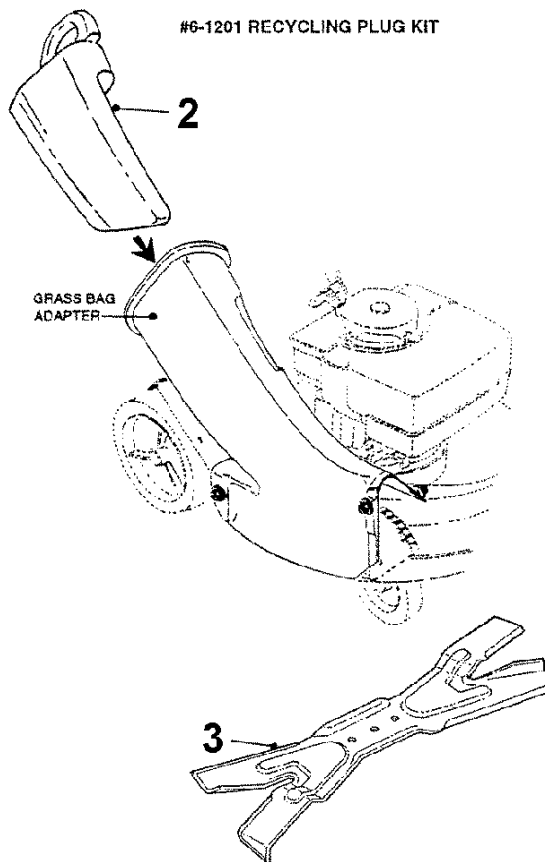
Item	Part No	Qty	Description	Note
	7063041		KIT, Snapperizer	<i>(Includes Items 1 Thru 5)</i>
1	7051243		SCREEN, Fastener Assembly	
2	7072002		RING, Bottom	
3	7091297	3	NUT, 5/16-24 Hex, Grade 5	<i>Was 90223 (Only 1 Shown)</i>
4	7090187	3	WASHER, 5/16 Split Lock	<i>(Only 1 Shown)</i>
5	7012587	3	SPRING	<i>(Only 1 Shown)</i>

Footnotes:

#6-1200 RECYCLING COVER KIT



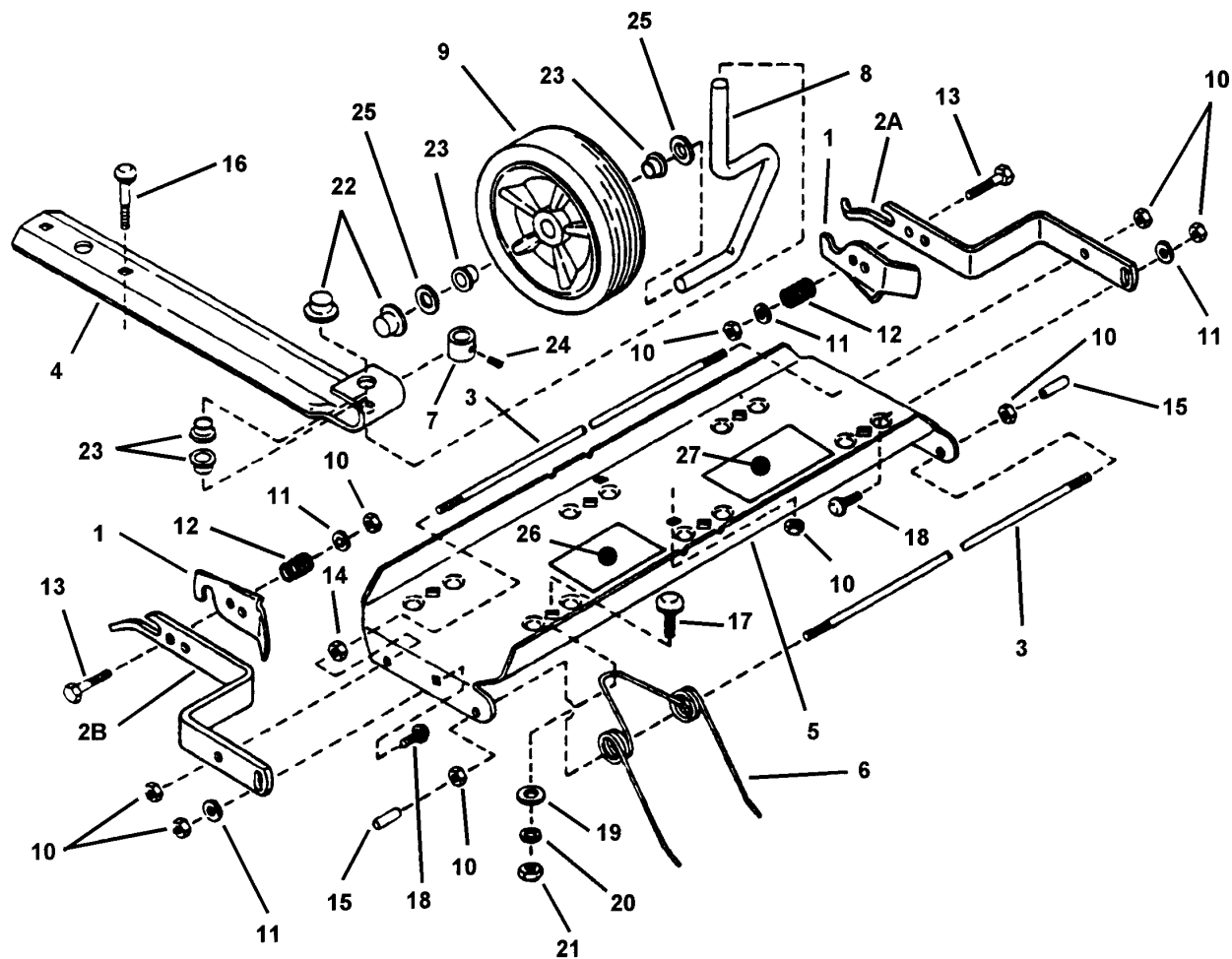
#6-1201 RECYCLING PLUG KIT



Accessory - Recycling Kits

Item	Part No	Qty	Description	Note
	7061200		KIT, Recycling Cover	<i>(Includes Items Below). For 4HP & above engines</i>
	7061201		KIT, Recycling Plug	<i>(Includes Items Below). For 4HP & above engines</i>
1	7029149		COVER, 21" Deck	
2	7016814		PLUG, Chute Adapter	
3	7026407		BLADE, 21" Quad Edge Ninja	

Footnotes:



Accessory - Thatcherizer

Item	Part No	Qty	Description	Note
	7061256		KIT, Thatcherizer	<i>(Includes Items 1 Thru 27)</i>
1	7032891	2	LATCH, Frame Attachment	
2A	7026572		BAR, Mount (Right Hand)	
2B	7026573		BAR, Mount (Left Hand)	
3	7018499	2	ROD, Tine	
4	7018700		SUPPORT, Wheel	
5	7019948		TRAY, Tine	
6	7018496	6	KIT, Tine Thatching Spring	<i>Was 60574</i>
7	7014100		BUSHING, Wheel Adjuster	
8	7018493		AXLE, Wheel	
9	7018189		WHEEL, 7.00 x 1.50 Gage	
10	7091705	10	NUT, 1/4-20 Hex Top Lock	<i>Was 90761 (Only 9 Shown)</i>
11	7091294	4	WASHER, 1/4 Flat	<i>Was 90055</i>
12	7022425	2	SPRING, Compression	
13	7090825	2	BOLT, 1/4-20 x 1-1/4" Hex, Grade 5	
14	7091576	2	NUT, 1/4-20 Hex, Grade 5	<i>Was 90063 (Only 1 Shown)</i>
15	7022424	2	CAP, Vinyl	
16	7090015	2	BOLT, 1/4-20 x 2-1/2" Carriage	<i>(Only 1 Shown)</i>
17	7091303	6	BOLT, 5/16-18 x 1" Carr., Gr. 5	<i>Was 90383 (Only 1 Shown)</i>
18	7091530	2	BOLT, 1/4-20 x 3/4" Carr. Gr. 5	<i>Was 90074</i>
19	7014098	6	WASHER, Reinforcing	<i>(Only 1 Shown)</i>
20	7090187	6	WASHER, 5/16 Split Lock	<i>(Only 1 Shown)</i>
21	7091511	6	NUT, 5/16-18 Hex, Gr. 5	<i>Was 90196 (Only 1 Shown)</i>
22	7014101	2	NUT, 1/2 Push	
23	7014342	4	BEARING, Nyliner	
24	7014103		SCREW, 5/16-18 x 1/4" Set	
25	7090250	2	WASHER, 1/2 Flat	
26	7014115		DECAL, Adjustment	
27	7014062		DECAL, Thatcherizer	
	7060965		KIT, Adapter	<i>Was 61395</i>

Footnotes:

Parts Manual for

SNAPPER®

**21" STEEL DECK
WALK BEHIND MOWERS
"MR" SERIES 14 & 15**

IT IS THE POLICY OF SNAPPER TO IMPROVE ITS PRODUCTS
WHENEVER IT IS POSSIBLE AND PRACTICAL TO DO SO. WE
RESERVE THE RIGHT TO MAKE CHANGES OR ADD IMPROVEMENTS
AT ANY TIME WITHOUT INCURRING ANY OBLIGATION TO MAKE
SUCH CHANGES ON PRODUCTS MANUFACTURED PREVIOUSLY.

SNAPPER® McDonough, GA, 30253 U.S.A.