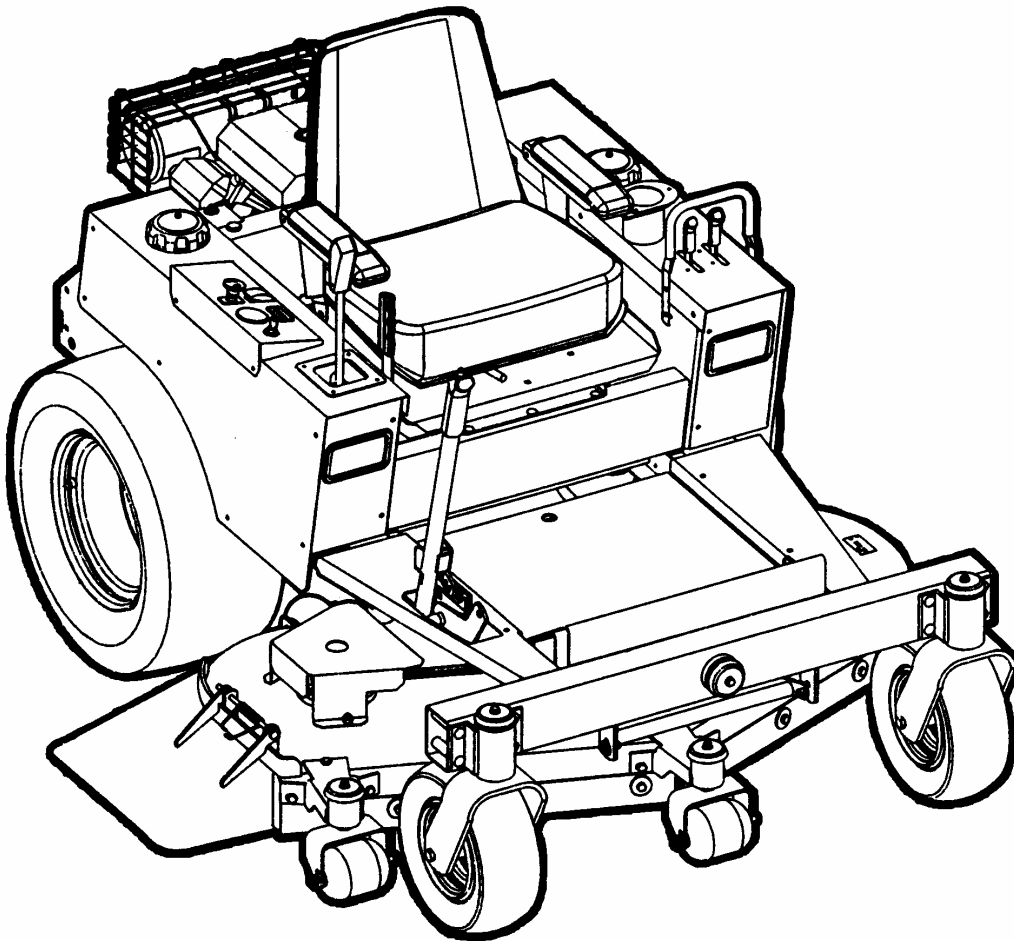


Parts Manual for

# SNAPPER®

## MID MOUNT Z-RIDER™ ZERO TURNING HYDRO DRIVE SERIES 0,1,2



Model ZM2200K shown

### POWER UNIT MODELS

ZM2200K
ZM2500KH
ZMT2500KH
MZM2200KH
MZM2300KH
ZM2501KH
MZM2301KH
ZM2502KH

### MOWER UNIT MODELS

ZM5200M	ZM6100M
ZM5201M	ZM6101M
ZM5202M	ZM6102M

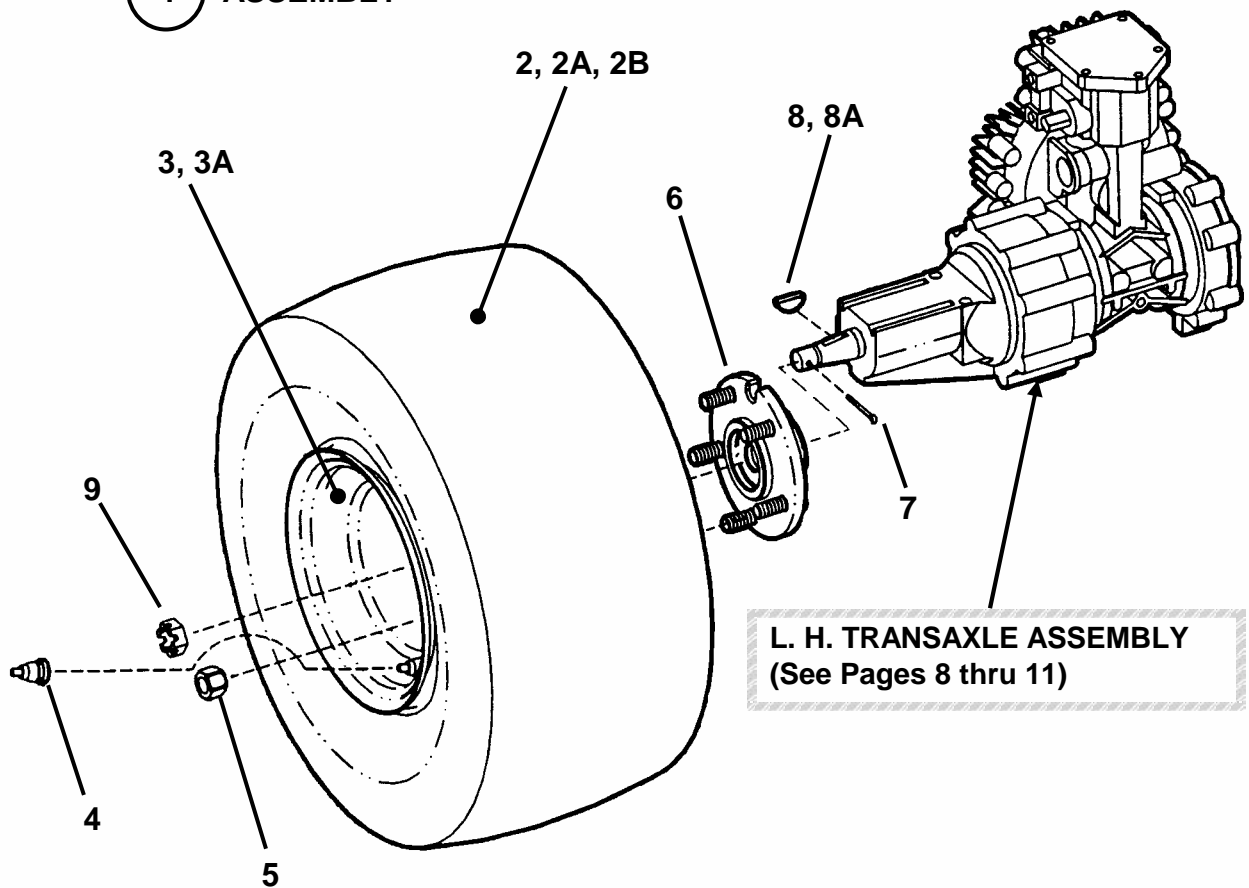
**SNAPPER**® McDonough, GA., 30253 U.S.A.

# CONTENTS

<b>DESCRIPTION</b>	<b>PAGE</b>
DRIVE TIRE/WHEEL ASSEMBLY .....	3
ENGINE SUB-ASSEMBLY .....	4, 5
FUEL TANK ASSEMBLY .....	6, 7
TANDEM HYDRO TRANSAXLE ASS'Y (Models ZM2200K, ZM2500KH) .....	8, 9
TANDEM HYDRO TRANSAXLE ASS'Y (All Models Except ZM2200K, ZM2500KH) .....	10, 11
FOOTREST ASSEMBLY .....	12, 13
HYDRO RESERVOIR ASSEMBLY .....	14, 15
UPPER CHASSIS AND SEAT LATCH ASSEMBLY .....	16
CASTER WHEEL ASSEMBLY .....	17
LOWER CHASSIS/CASTER WHEEL ASSEMBLY .....	18, 19
JOYSTICK CONTROL ASSEMBLY (All Except for ZMT2500KH) .....	20, 21
TWIN STICK CONTROL ASSEMBLY (Model ZMT2500KH) .....	22, 23
PARKING BRAKE ASSEMBLY .....	24, 25
SEAT SUPPORT ASSEMBLY .....	26, 27
FENDER/CONTROL CABLE ASSEMBLY .....	28
CUTTER HOUSING ASSEMBLY .....	29
UPPER DRIVE SHAFT ASSEMBLY .....	30, 31
DECK DRIVESHAFT ASSEMBLY (All Except for MZM Models) .....	32, 33
DECK DRIVESHAFT ASSEMBLY (MZM Models) .....	34, 35
DECK LIFT SYSTEM .....	36, 37
52" DECK, IDLERS, ROLLERS .....	38, 39
61" DECK, IDLERS, ROLLERS .....	40, 41
CHUTE, DECK COVERS & BAFFLE .....	42, 43
SEAT ASSEMBLY (All Except for MZM Models) .....	44, 45
SEAT ASSEMBLY (MZM Models) .....	46
TRACTION DRIVE IDLER ASSEMBLY .....	47
DECALS .....	48, 49
ELECTRICAL COMPONENTS (except wiring) .....	50, 51
WIRING HARNESS .....	52, 54
WIRING SCHEMATICS .....	53, 55

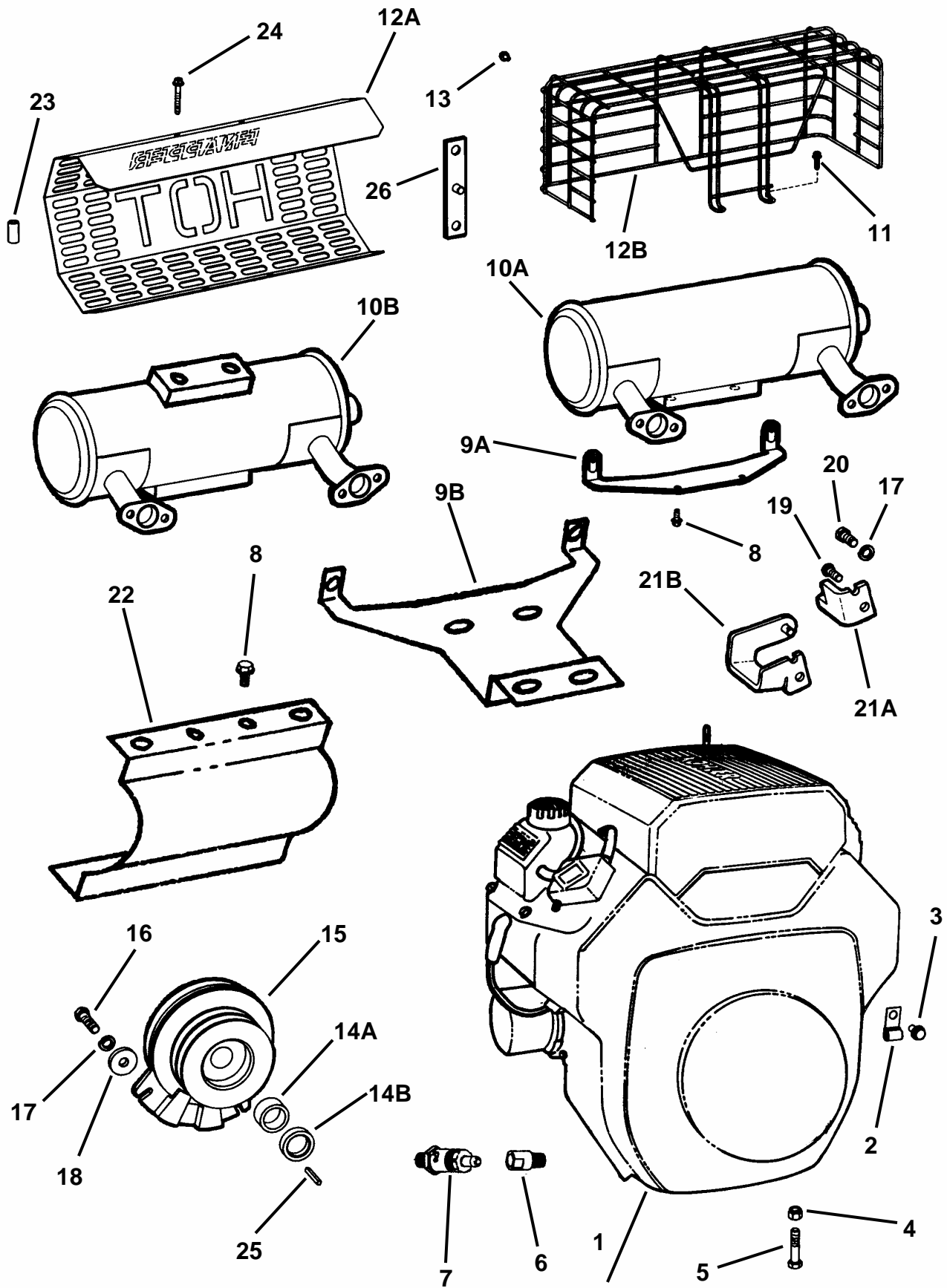
# DRIVE TIRE/WHEEL ASSEMBLY

## 1 ASSEMBLY



ITEM	PART NO.	DESCRIPTION
1	5-4526	ASSEMBLY, Rear Tire & Rim (Includes Item 2, 3 & 4)
--	5-7706	ASSEMBLY, Rear Tire & Rim (Left Hand) (Model MZM2200KH Only) (Includes Item 2A, 3A & 4)
--	5-7707	ASSEMBLY, Rear Tire & Rim (Right Hand) (Model MZM2200KH Only) (Includes Item 2A, 3A & 4)
--	5-8193	ASSEMBLY, Rear Tire & Rim (Includes Item 2B, 3 & 4) (Model ZMT2500KH & ZM2501KH)
--	5-9161	ASSEMBLY, Rear Tire & Rim (Includes Item 2C, 3 & 4) (Model ZM2502KH)
2	4-4771	TIRE, 23 x 10.5 - 12 NHS
2A	4-4707	TIRE, 21 x 11 - 8 AG (Model MZM2200KH Only)
2B	7-2110	TIRE, 23 x 10.5 - 12 "Turf Mate"
2C	7-4157	TIRE, 23 x 10.5 - 12 "Super Turf"
3	4-4772	RIM, 12" Diameter x 7.00"
3A	4-7032	RIM, 8" Diameter x 6-3/8 (Model MZM2200KH Only)
4	1-2234	VALVE, Air
5	2-7192	NUT, 1/2-20 Lug (5)
6	5-4461	ASSEMBLY, Wheel Hub
7	9-1793	PIN, 9/64 x 1-1/2" Cotter
8	9-1778	KEY, #808 Woodruff
8A	9-1978	KEY, #806 Woodruff (Model ZMT2500KH, ZM2501KH, ZM2502KH)
9	9-1828	NUT, 3/4-20 Slotted Hex

# ENGINE SUB-ASSEMBLY

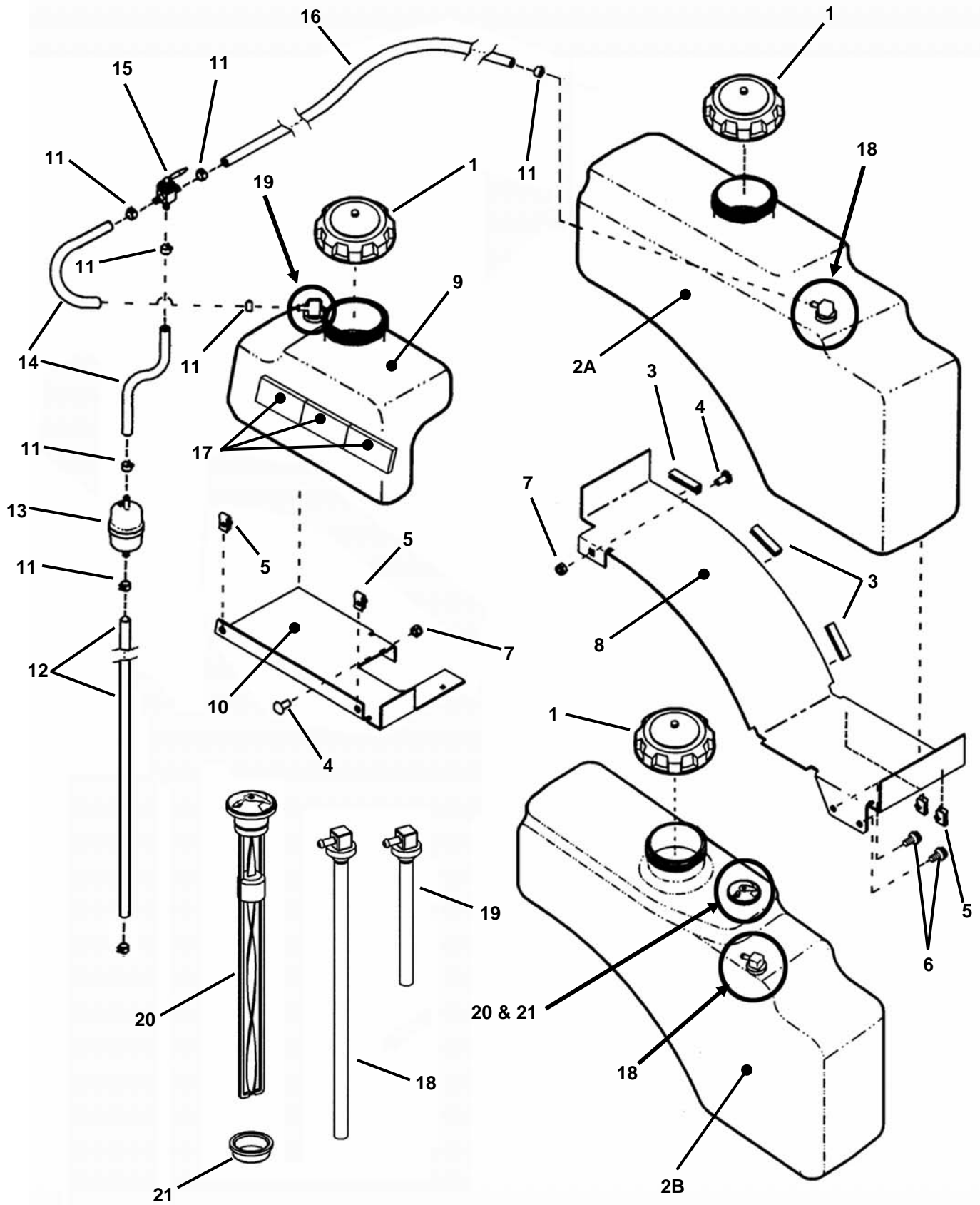


# ENGINE SUB-ASSEMBLY

ITEM	PART NO.	DESCRIPTION
1	**	ENGINE, 22HP (Kohler No. CH22S PS-66536)
--	**	ENGINE, 23HP (Kohler No. CH23S PS-76536)
--	**	ENGINE, 25HP (Kohler No. CH25S PS-68577)
2	3-5638	J-CLIP, 3/8" Cushioned (2)
3	9-1523	SCREW, 5/16-18 x 5/8" Hex Washer Self Tap (2)
4	9-1299	NUT, 3/8-16 Nyloc (4)
5	9-1553	SCREW, 3/8-16 x 1-3/4" Hex Head Cap, Grade 5 (4)
6	2-2486	OIL DRAIN, Short
7	2-7972	ASSEMBLY, Oil Valve
8	9-1838	SCREW, M6 x 1 x 6mm Hex Flange Cap (Qty. 2 for 22 HP; Qty. 4 for 25 HP) (Kohler part no. M-0650012)
9A	4-2708	BRACKET, Muffler, 22HP Kohler
9B	4-6486	BRACKET, Muffler, 25HP Kohler (Series 0)
10A	**	MUFFLER, 22HP Kohler (Kohler part no. A-24 068 00)
10B	4-6488	MUFFLER, 25HP Kohler (Kohler part no. A-24 068 17)
11	9-1839	SCREW, M5 x 8 x 16mm Hex Head Self Tapping (2) (Kohler # M-0545016)
12A	4-2707	GUARD, Muffler
12B	7-2155	GUARD, Muffler (used on ZMT2500KH & ZM2501KH models)
13	9-1840	SCREW, M5 x 8 x 10mm Hex Head Flange (2) (Kohler #M0550010)
14A	3-5675	SPACER, Clutch
14B	4-6410	SPACER, Clutch (Model MZM2200KH Only)
15	3-5520	CLUTCH, Electric
--	4-6409	CLUTCH, Electric (Model MZM2200KH Only)
16	9-1806	SCREW, 7/16-20 x 1-1/2" Hex Head Cap. Grade 5
17	9-1301	WASHER, 7/16" Split Lock (2)
18	9-1807	WASHER, 7/16 I.D. x 1-3/8 O.D. x 1/4 Flat
--	9-1962	WASHER, 7/16" I.D. x 1-5/8" O.D. x 1/4 Flat
19	9-1304	SCREW, 3/8-16 x 1" Hex Head Cap, Grade 5
20	9-1808	SCREW, 7/16-14 x 1", Grade 5
21A	3-5852	BRACKET, Anti-Rotation (5/16")
21B	5-8207	BRACKET, Anti-Rotation (Model MZM2200KH Only)
22	4-6487	SHIELD, Heat, 25HP Kohler
23	7-2256	SPACER, Muffler Guard
24	9-2016	SCREW, 1/4-20 x 1-1/2" Hex Washer Self-Tap (2)
25	1-3250	KEY, 1/4 Square x 1"
26	4-6411	BRACKET, Torque

**NOTE: Items 2, 3 & 8 thru 13 are included with engine.**

# FUEL TANK ASSEMBLY



## FUEL TANK ASSEMBLY

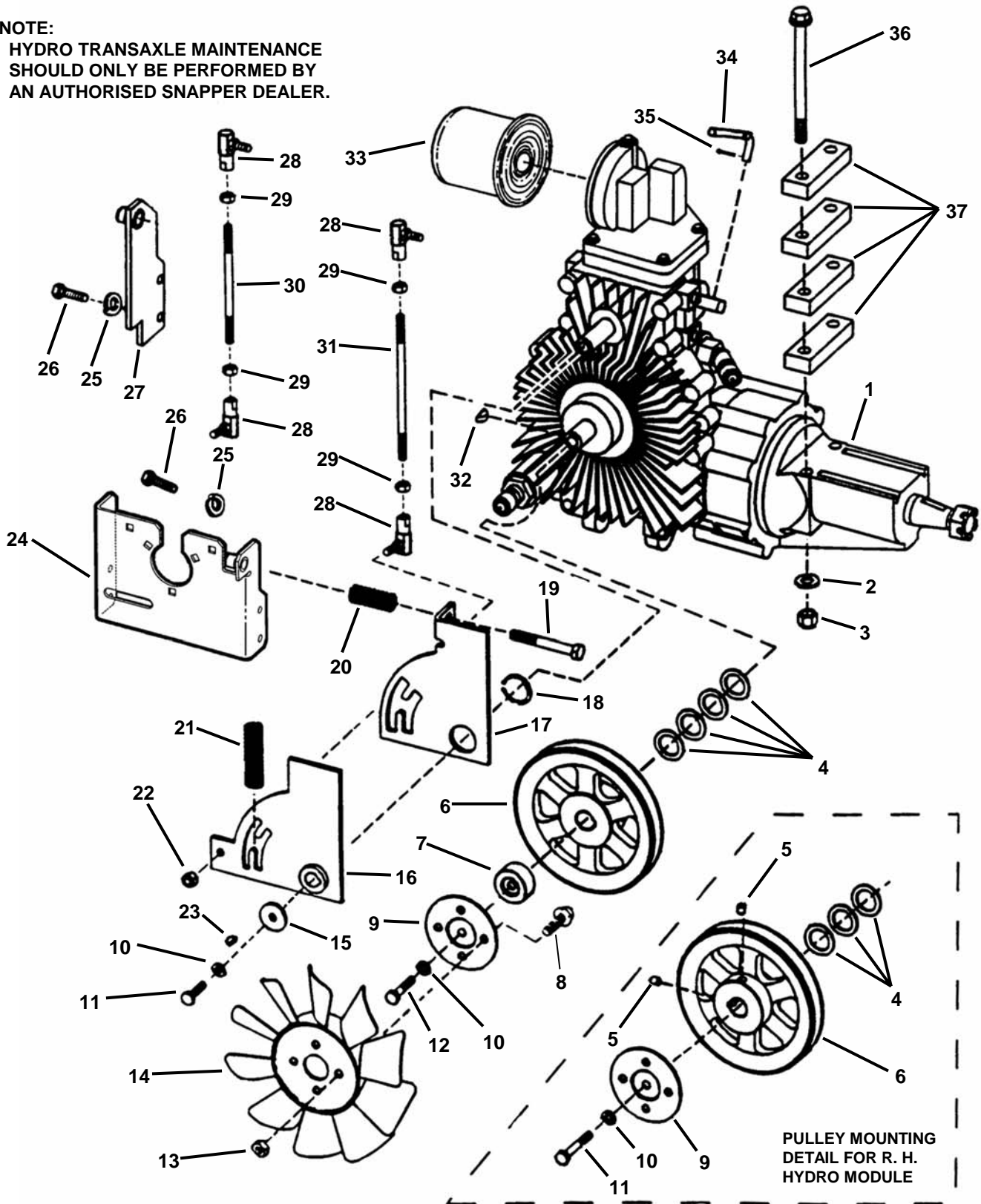
ITEM	PART NO.	DESCRIPTION
1	2-8903	CAP, 3-1/2" Fuel (2)
2A	5-4430	FUEL TANK, Main (Includes Item 1 - Fuel Cap)
2B	5-7705	FUEL TANK, Main (Includes Item 1 - Fuel Cap) (MZM2200KH Models Only) (Includes Fuel Gauge)
3	2-6746	TRIM, 2 Inch (3)
4	9-1508	BOLT, 5/16-18 x 3/4" Short Neck Carriage Grade 5 (2)
5	2-3295	U-NUT, 1/4-20 Locking (4)
6	9-1523	SCREW, 5/16-18 x 5/8" Hex Washer Self Tapping (2)
7	9-1298	NUT, 5/16-18 Hex Nylon Insert (2)
8	4-2886	BRACKET, Fuel Tank Support
9	5-4528	FUEL TANK, Auxiliary (Includes Item 1 - Fuel Cap)
10	4-4701	BRACKET, Mounting Auxiliary Fuel Tank
11	2-9900	CLAMP, 7/16" Hose (8) (4 used on MZMs; 8 used on ZMT2500KH; 8 used on ZM2501KH)
12	3-2956	HOSE, 1/4" I.D. x 10" Fuel
13	4-4777	FILTER, 15 Micron Fuel (Included With Engine)
14	3-5853	HOSE, 1/4" I.D. x 4" Fuel (2)
15	4-4681	VALVE, 3-Way Fuel
16	4-4797	HOSE, 1/4" I.D. x 45" Fuel
--	4-5333	HOSE, 1/4" x 36" Fuel (MZM Models Only)
17	7-7345	PAD, Foam (3)
18	5-4529	ASSEMBLY, Fuel Pick-up (Main) (11.75" Long)
19	5-4530	ASSEMBLY, Fuel Pick-up (Auxiliary) (5.25" Long)
20	4-7038	FUEL GAUGE, Kelch
21	4-7112	GROMMET, Fuel Tank Gauge

**NOTE: Items 9, 10, 12 & 15 are not used with Model MZM2200KH.**

# TANDEM HYDRO TRANSAXLE ASSEMBLY

(Models ZM2200K, ZM2500KH)

NOTE:  
HYDRO TRANSAXLE MAINTENANCE  
SHOULD ONLY BE PERFORMED BY  
AN AUTHORISED SNAPPER DEALER.





## TANDEM HYDRO TRANSAXLE ASSEMBLY (Models ZM2200K, ZM2500KH)

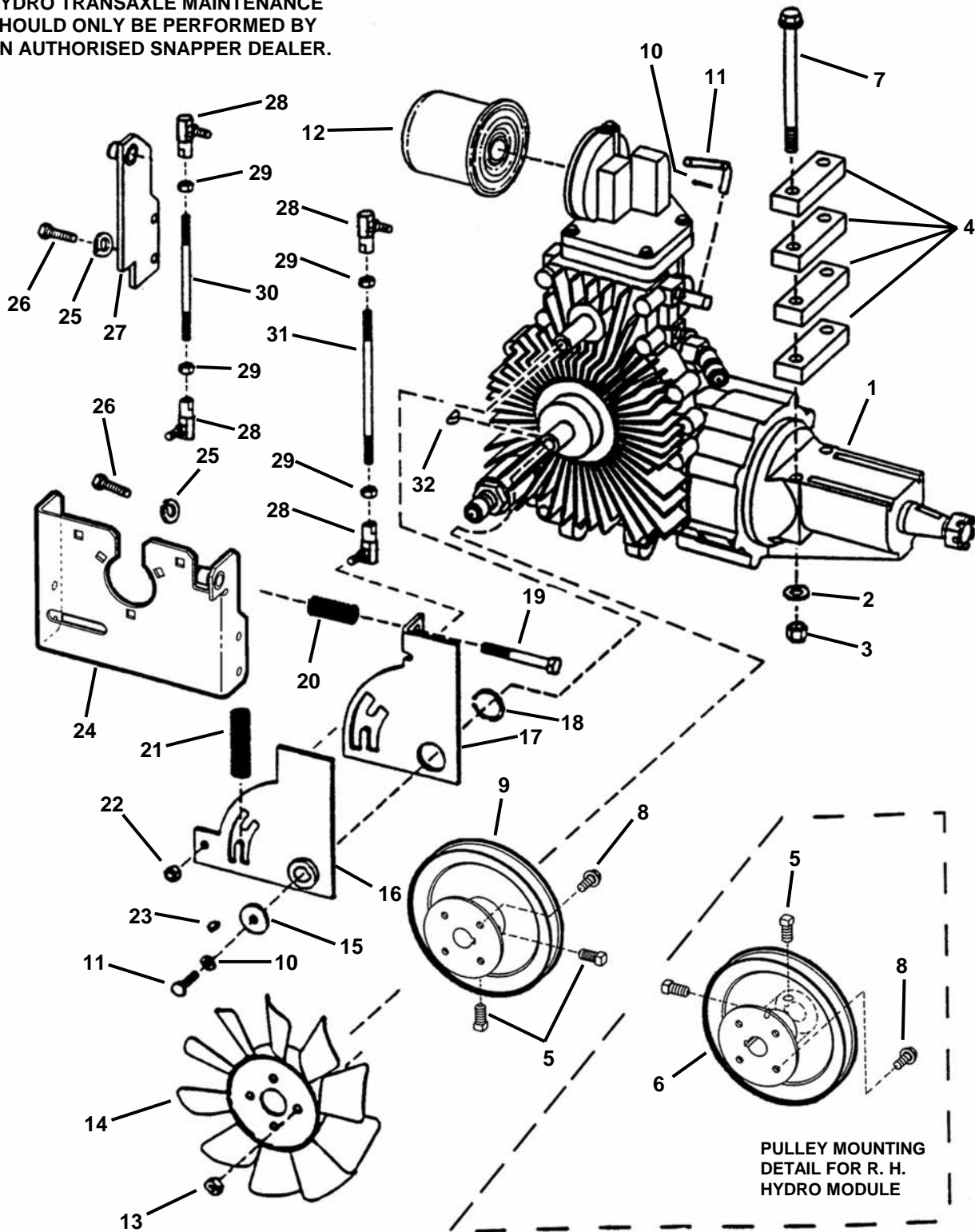
ITEM	PART NO.	DESCRIPTION
1	5-4437	ASSEMBLY, Transaxle 771B (L.H.) Side (shown)
--	5-4436	ASSEMBLY, Transaxle 771A (R.H.) Side
2	9-1514	WASHER, 13/32 I.D. x 13/16 O.D. Flat (4)
3	9-1299	NUT, 3/8-16, Hex Nyloc (4)
4	1-0935	WASHER, 3/4 I.D. x 1-1/8" O.D. Flat (7)
5	9-0201	SET SCREW, 5/16-18 x 5/16" Hex Recess (4)
6	4-4754	PULLEY, Transmission 4.95" Diameter (2)
7	3-5923	SPACER/ADAPTER, Fan
8	9-1787	SCREW, 1/4-20 x 5/8", Hex Flange Lock, Grade 5 (8)
9	4-2612	SPACER, Fan (2)
10	2-7223	WASHER, 1/4 Split Lock (4)
11	9-1814	SCREW, 1/4-20 x 1-1/4", Hex Head Cap (3)
12	9-0505	SCREW, 1/4-20 x 2", Hex Head Cap, Grade 5
13	9-1603	NUT, 1/4-20 Hex Nyloc (8)
14	4-3897	FAN, Blade 7" Dia. (2)
15	9-1627	WASHER, 1/4 I.D. x 1" O.D. (2)
16	4-2639	CAM, Neutral Return (Weldment) (2)
17	3-5910	PLATE, Neutral Adjust (2)
18	1-2709	RETAINING RING, 1" External (2)
19	2-7175	BOLT, 5/16-18 x 2-1/2" Hex Head (2)
20	3-5915	SPRING, Neutral Return Adjust (2)
21	3-5927	SPRING, Neutral Return (2)
22	9-1812	NUT, 1/4-28, Hex Nyloc (4)
23	1-4264	WOODRUFF KEY, #404 (2)
24	5-9440	ASSY, Driveshaft Bracket
25	9-1315	WASHER, 21/64" Split Lock (6)
26	9-1904	SCREW, 5/16-18 x 7/8", Hex Head Cap (6)
27	5-4293	PLATE, Neutral Return (Weldment)
28	1-5753	BALL-JOINT (4)
29	9-1605	NUT, 1/4-28 Hex, Grade 5 or B (4)
30	4-4755	ROD, Threaded 1/4-28 x 6-5/8"
31	3-5914	ROD, Threaded 1/4-28 x 5-3/8"
32	1-5894	WOODRUFF KEY, #605 (2)
33	4-5184	FILTER, Oil (Eaton)
34	3-5925	ROD, Roll Release (2)
35	9-1629	COTTER-PIN, 1/16 x 1/2" (2)
36	9-1786	BOLT, 3/8-16 x 4-3/4" Grade 5 (4)
37	7-2017	SPACER, Eaton Transaxle (8)

**NOTE: HYDRO TRANSAXLE MAINTENANCE SHOULD ONLY BE PERFORMED  
BY AN AUTHORIZED SNAPPER DEALER.**

# TANDEM HYDRO TRANSAXLE ASSEMBLY

(All Models Except ZM2200K, ZM2500KH)

NOTE:  
HYDRO TRANSAXLE MAINTENANCE  
SHOULD ONLY BE PERFORMED BY  
AN AUTHORISED SNAPPER DEALER.



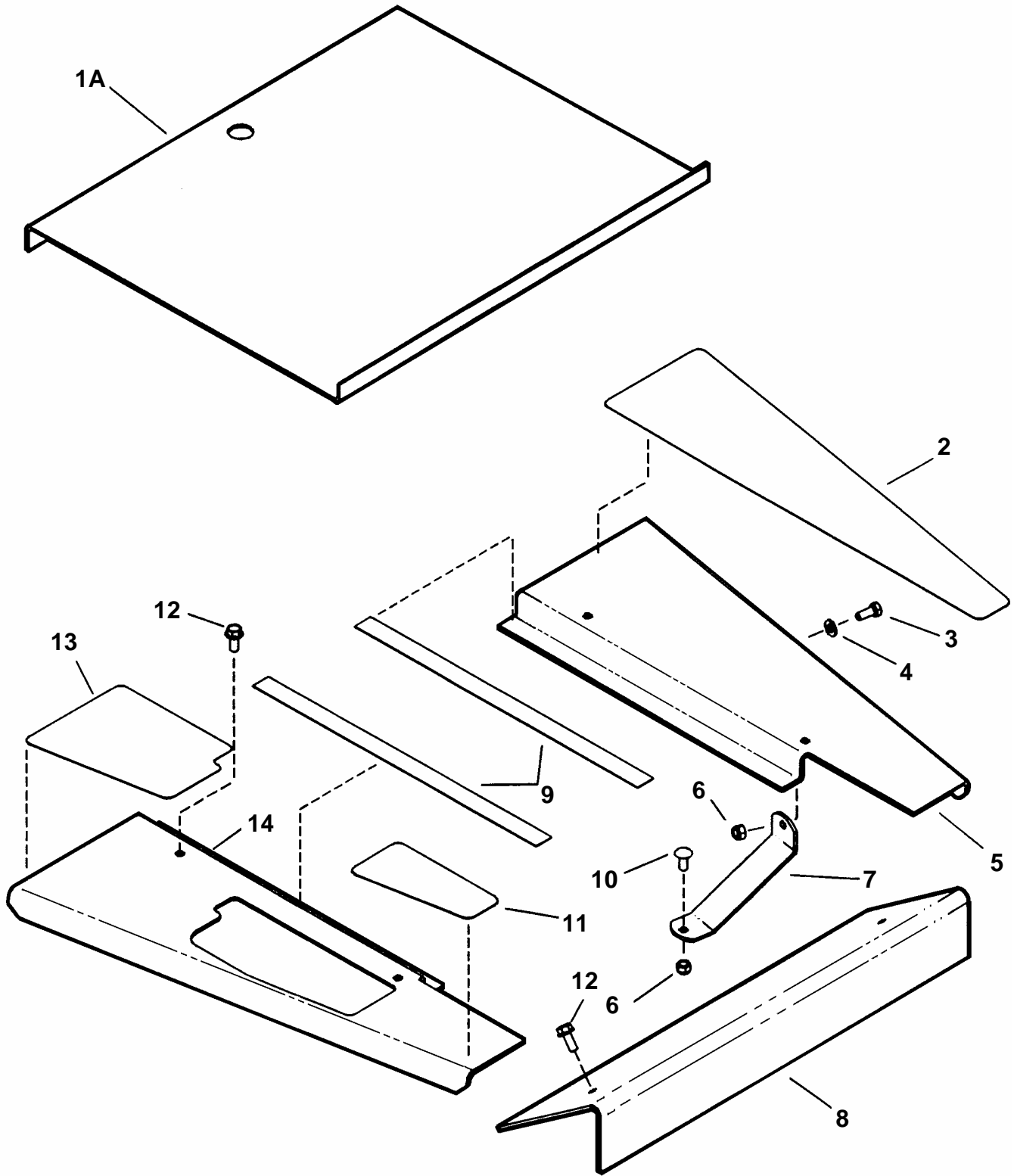
PULLEY MOUNTING  
DETAIL FOR R. H.  
HYDRO MODULE

## TANDEM HYDRO TRANSAXLE ASSEMBLY (All Models Except ZM2200K, ZM2500KH)

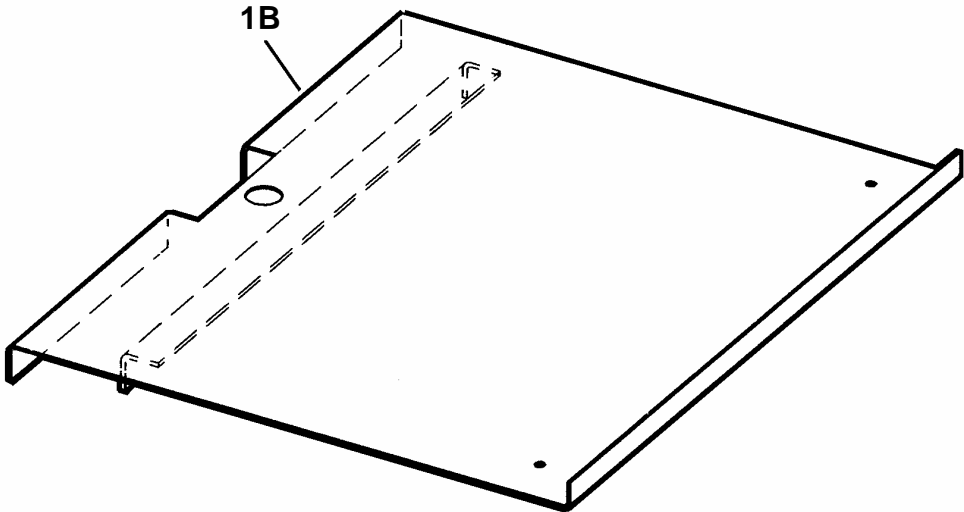
ITEM	PART NO.	DESCRIPTION
1	5-4437	ASS'Y, Eaton Transaxle 771B (L.H.) Side (shown)
--	5-9154	ASS'Y, Eaton Transaxle 771-090 (L.H.) (w/needle bearings)
--	5-4436	ASS'Y, Eaton Transaxle 771A (R.H.) Side
--	5-9153	ASS'Y, Eaton Transaxle 771-089 (R.H.) Side (w/needle bearings)
2	9-1514	WASHER, 13/32 I.D. x 13/16 O.D. Flat (4)
3	9-1299	NUT, 3/8-16, Hex Nyloc (4)
4	7-2017	SPACER, Eaton Transaxle (8)
5	9-1995	SET SCREW, 5/16-18 x 5/16" Square Head (4)
6	4-6967	PULLEY, Transmission (Right Hand) 4.95" Diameter (2)
7	9-1786	BOLT, 3/8-16 x 4-3/4" Hex Flange, Grade 5 (4)
8	9-1787	SCREW, 1/4-20 x 5/8", Hex Flange Lock, Grade 5 (8)
9	4-6966	PULLEY, Transmission (Left Hand) 4.95" Diameter (2)
10	2-7223	WASHER, 1/4 Split Lock (4)
11	9-1814	SCREW, 1/4-20 x 1-1/4", Hex Head Cap (3)
12	9-0505	SCREW, 1/4-20 x 2", Hex Head Cap, Grade 5
13	9-1603	NUT, 1/4-20 Hex Nyloc (8)
14	4-3897	FAN, Blade 7" Dia. (2)
15	9-1627	WASHER, 1/4 I.D. x 1" O.D. (2)
16	4-2639	CAM, Neutral Return (Weldment) (2)
17	3-5910	PLATE, Neutral Adjust (2)
18	1-2709	RETAINING RING, 1" External (2)
19	2-7175	BOLT, 5/16-18 x 2-1/2" Hex Head (2)
20	3-5915	SPRING, Neutral Return Adjust (2)
21	3-5927	SPRING, Neutral Return (2)
22	9-1812	NUT, 1/4-28, Hex Nyloc (4)
23	1-4264	WOODRUFF KEY, #404 (2)
24	5-9440	ASSEMBLY, Driveshaft Bracket
25	9-1315	WASHER, 21/64" Split Lock (6)
26	9-1904	SCREW, 5/16-18 x 7/8", Hex Head Cap (6)
27	5-4293	PLATE, Neutral Return (Weldment)
28	1-5753	BALL-JOINT 1/4-28 Thread (4)
29	9-1605	NUT, 1/4-28 Hex, Grade 5 or B (4)
30	4-4755	ROD, Threaded 1/4-28 x 6-5/8"
31	3-5914	ROD, Threaded 1/4-28 x 5-3/8"
32	1-5894	WOODRUFF KEY, #605 (2)
33	4-5184	FILTER, Oil (Eaton)
34	3-5925	ROD, Roll Release (2)
35	9-1629	COTTER-PIN, 1/16 x 1/2" (2)

**NOTE: HYDRO TRANSAXLE MAINTENANCE SHOULD ONLY BE PERFORMED  
BY AN AUTHORIZED SNAPPER DEALER.**

# FOOTREST ASSEMBLY

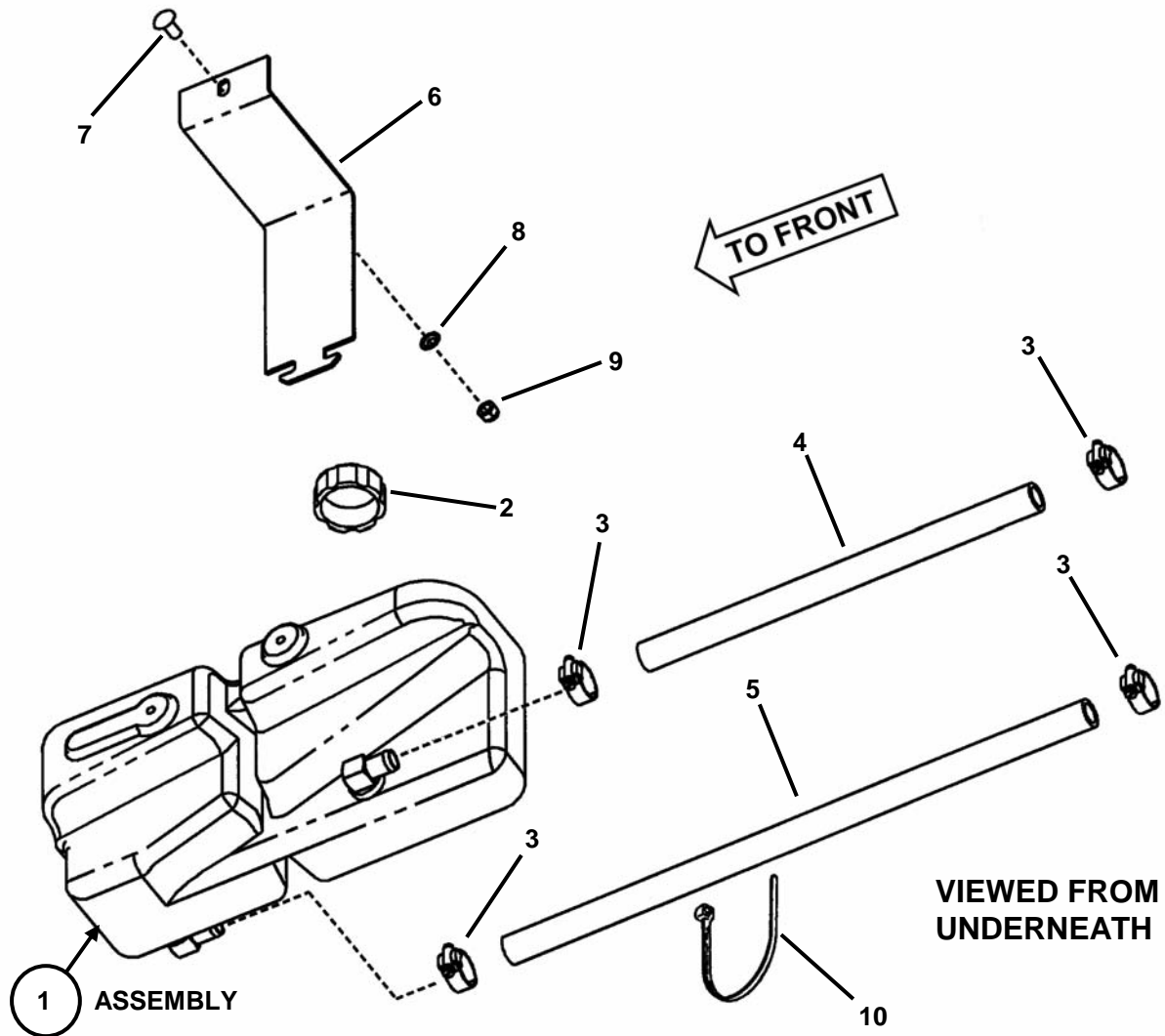


# FOOTREST ASSEMBLY



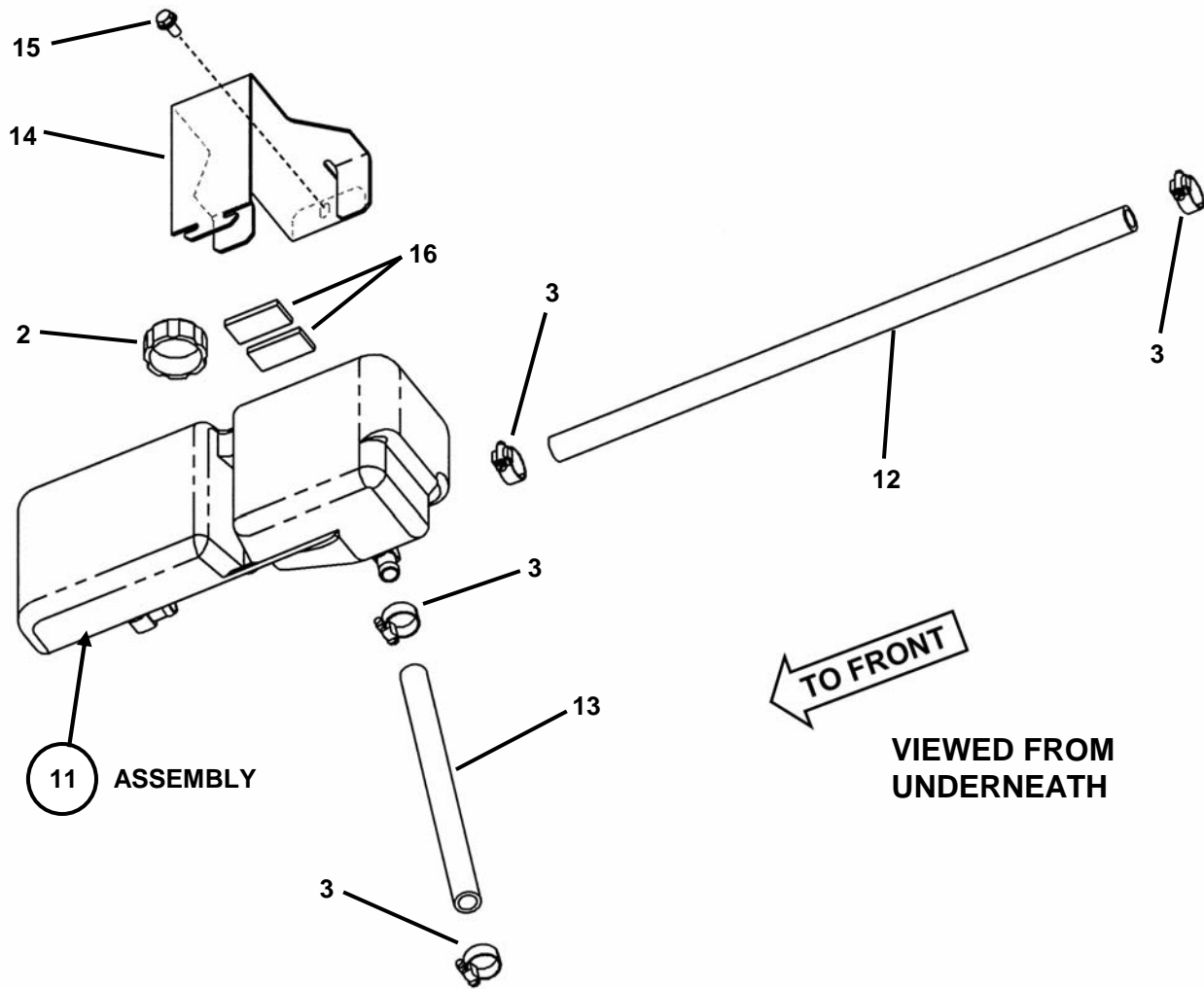
ITEM	PART NO.	DESCRIPTION
1A	4-6727	BRACKET, Floor Pan
1B	5-8362	WELDMENT, Floor Pan (Model ZMT2500KH only!)
2	4-3843	PAD Left Hand Friction
3	9-1318	SCREW, 5/16-18 x 3/4" Hex Head Cap
4	9-1296	WASHER, 11/32" Flat Lock
5	4-3795	BRACKET, Left Hand Footrest
6	9-1298	NUT, 5/16-18 Hex Nylon Insert (2)
7	4-3800	BRACE, Left Hand Footrest
8	4-6730	BRACKET, Footrest
9	4-4867	PAD, Floor Pan Trim (2)
10	9-1508	BOLT, 5/16-18 x 3/4" Carriage Short Neck Grade 5
11	4-4905	PAD, Right Hand Front Friction
12	9-1541	SCREW, 5/16-18 x 3/4" Hex Self Tapping (6)
13	4-3842	PAD, Right Hand Rear Friction
14	4-3794	BRACKET, Footrest (Right Hand)

## HYDRO RESERVOIR ASSEMBLY (left hand)



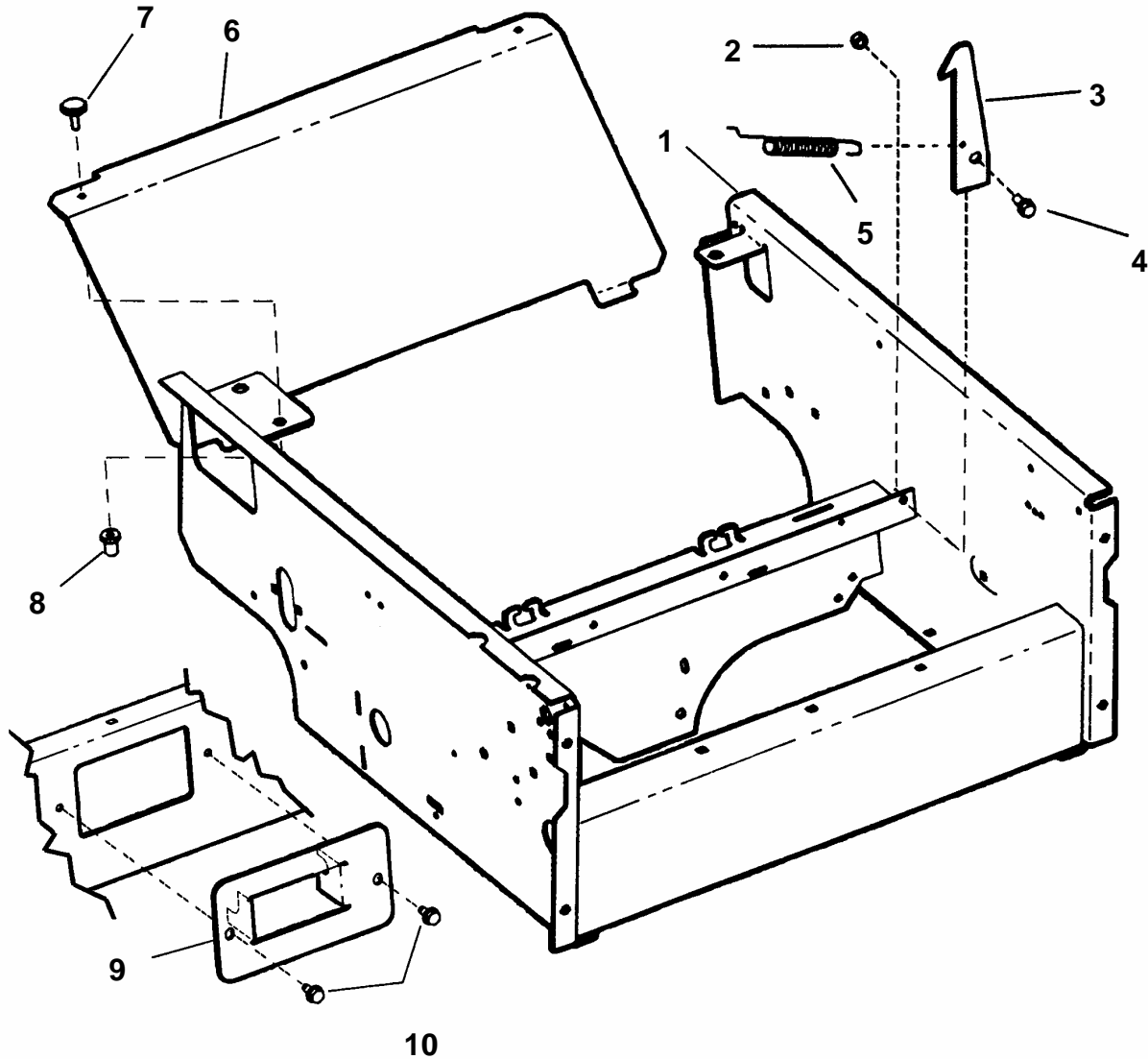
ITEM	PART NO.	DESCRIPTION
1	5-4103	RESERVOIR, L. H. Hydro (includes cap, item 2)
2	3-5512	CAP, Reservoir
3	1-6130	CLAMP, for 13/16" Hose (8)
4	3-5514	HOSE, Rubber 5/8 I. D. x 13-1/2" long
5	4-4788	HOSE, Rubber 5/8" I. D. x 20" long
6	4-4790	BRACKET, Tank L. H.
7	9-1508	BOLT, 5/16-18 x 3/4" Short Neck Carriage, Grade 5
8	1-1791	RETAINER, 5/16" Bolt
9	9-1298	NUT, 5/16-18 Hex Nyloc
10	1-2080	CABLE TIE, 7" long

## HYDRO RESERVOIR ASSEMBLY (right hand)



ITEM	PART NO.	DESCRIPTION
11	5-4521	RESERVOIR, (R.H.) Hydro (Includes cap, item 2)
12	4-4789	HOSE, Rubber 5/8" I.D. 32" Long
13	4-4787	HOSE, Rubber 5/8" I.D. 12" Long
14	4-4791	BRACKET, Tank, (Right Hand)
15	9-1523	SCREW, 5/16-18 x 5/8" Hex Washer Self-Tap
16	7-7345	PAD, Gas Tank (2)

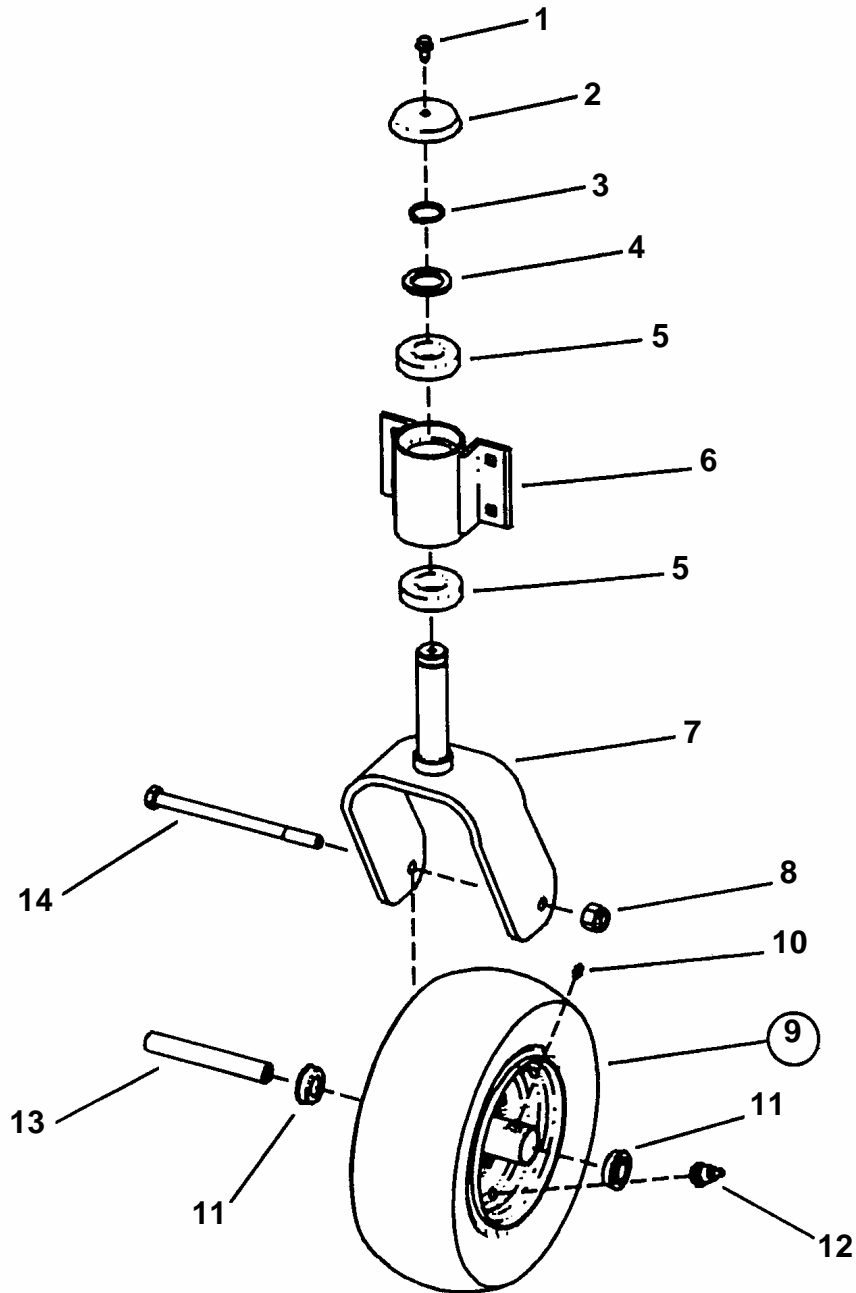
# UPPER CHASSIS AND SEAT LATCH ASSEMBLY



ITEM	PART NO.	DESCRIPTION
1	4-2946	UPPER CHASSIS (Models MZM2200K, ZM2501KH, ZM2502KH)
--	7-1940	UPPER CHASSIS (Models ZMT2500KH & ZMT2501KH) (not shown)
2	9-1298	NUT, 5/16-18 Hex Nyloc
3	3-5993	LATCH, Seat Support
--	7-2106	LATCH, Seat Support (MZM2300K, ZMT2500KH, ZM2501KH ZM2502KH)
4	9-1800	BOLT, 5/16-18 Shoulder, Hex Head, Nylon Patch
5	2-6292	SPRING
6	4-4769	SCREEN, Drivetrain
7	2-3341	SCREW, 1/4-20 x 3/4" Thumb (2)
8	9-1909	WELL-NUT, 1/4-20 x 53/64" (2)
9	7-2111	PLATE, Trim (Model ZMT2500KH Only)
10	9-0361	SCREW, 5/16-18 x 5/8" Self Tapping (2)

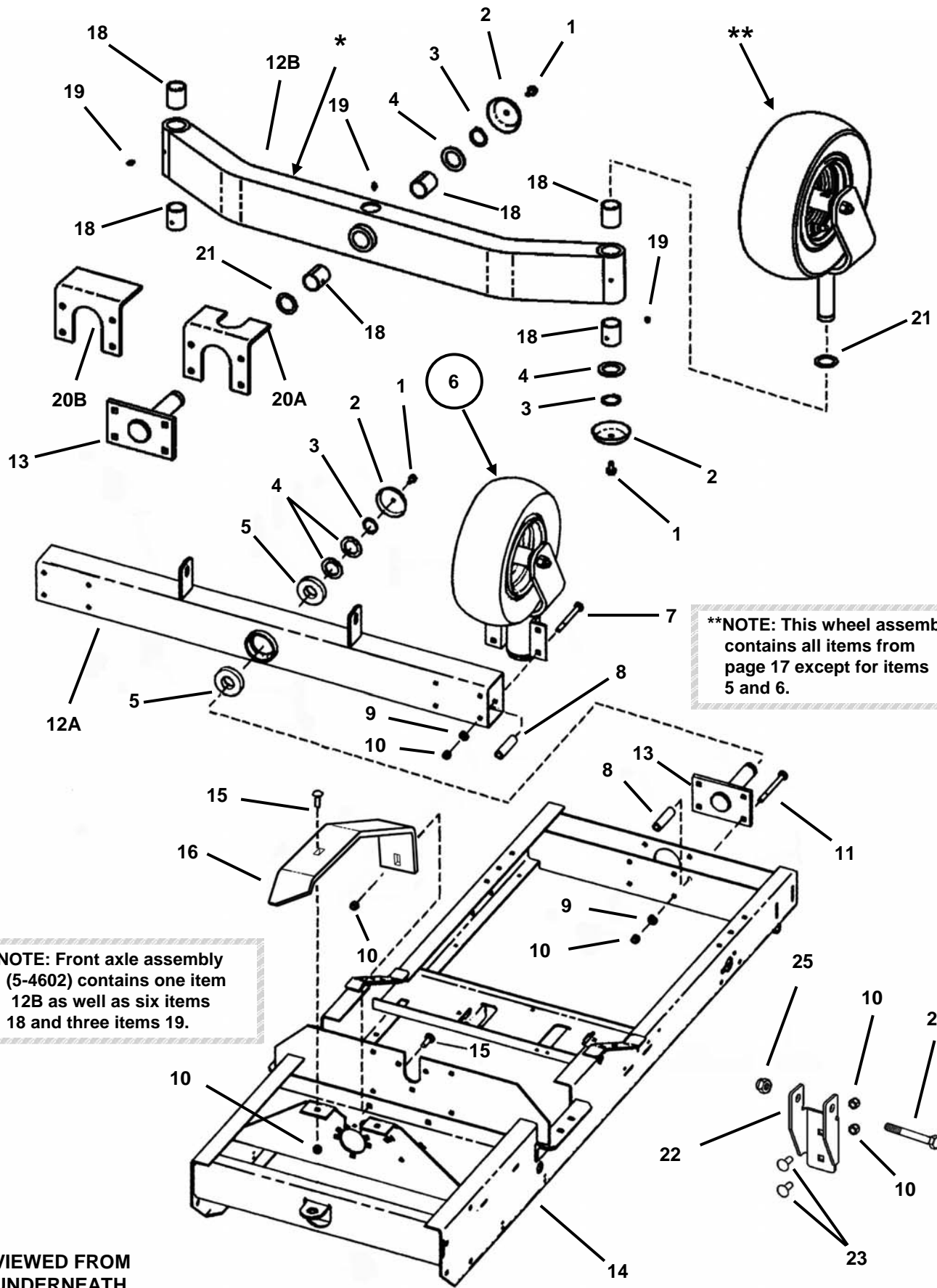


# CASTER WHEEL ASSEMBLY



ITEM	PART NO.	DESCRIPTION
1	9-0361	SCREW, 5/16-18 x 5/8" Hex Flange Self Tap
2	3-6578	CAP, Caster Shaft
3	1-0965	RING, 1-3/16" External Retaining
4	9-1795	WASHER, 1-1/4" Flat
5	3-5602	BEARING, 30mm x 62mm (2)
6	4-2590	WELDMENT, Caster Support
--	5-8760	WELDMENT, Caster Support (5 degree) (used on model ZMT2500KH only)
7	4-2591	WELDMENT, Caster Yoke
8	9-1325	NUT, 1/2-13 Hex Nyloc
9	5-4087	ASSEMBLY, Tire & Rim (includes items 10 thru 12)
10	1-2700	FITTING, Lube
11	2-8722	BEARING (2)
12	1-2234	VALVE, Air
13	3-5476	SLEEVE, Axle
14	9-1773	SCREW, 1/2-13 x 7-1/4", Grade 5

# LOWER CHASSIS/CASTER WHEEL ASSEMBLY



**\*\*NOTE:** This wheel assembly contains all items from page 17 except for items 5 and 6.

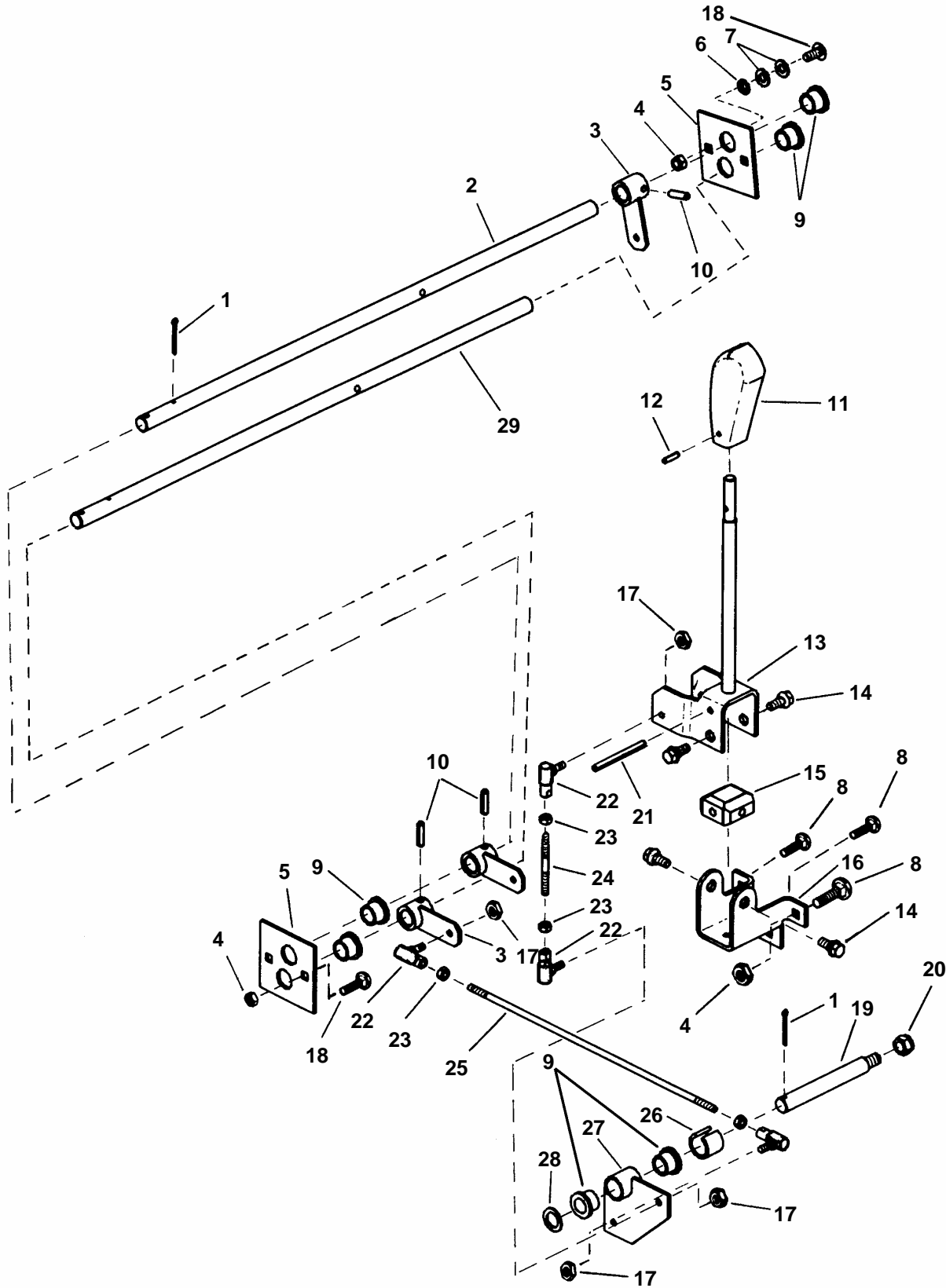
**\*NOTE:** Front axle assembly (5-4602) contains one item 12B as well as six items 18 and three items 19.

VIEWED FROM UNDERNEATH

## LOWER CHASSIS/CASTER WHEEL ASSEMBLY

ITEM	PART NO.	DESCRIPTION
1	9-0361	SCREW, 5/16-18 x 5/8" Hex Flange Self Tap
2	3-6578	CAP, Caster Shaft
3	1-0965	RING, 1-3/16" External Retaining
4	9-1795	WASHER, 1-1/4" I.D. x 1-7/8" O.D. Flat (2)
5	3-5602	BEARING, 30 mm x 62 mm (2)
6	5-4507	CASTER WHEEL (2) (see page 17)
7	9-1888	BOLT, 3/8-16 x 4", Carriage Short Neck Grade 5 (8)
8	4-2928	TUBE, 3/4" x 5/32" x 2-45/64" (12)
9	9-1514	WASHER, 13/32" Flat (12)
10	9-1299	NUT, 3/8-16 Hex (20)
11	9-1901	BOLT, 3/8-16 x 4-1/4" Carriage Short Neck Grade 5 (4)
12A	4-2929	WELDMENT, Front Axle (straight)
12B	5-3382	WELDMENT, Front Axle (Wide Stance)
13	4-5212	WELDMENT, Front Axle Pivot
14	4-2792	FRAME, Lower (Models MZ2200K,ZM2500K) (Shown)
--	4-7029	FRAME, Lower (Model MZM2200KH & MZM2300K)
--	5-8330	FRAME, Lower (Models ZMT2500KH, ZM2501KH, ZM2502KH)
15	9-1790	BOLT, 3/8-16 x 1-1/4" Carriage Short Neck Gr. 5 (4)
16	4-6968	GUARD, Skid
17	7-2827	GUARD, Skid (Left Hand) (Not Shown)
18	7-4915	BUSHING, DX (6)
19	1-3864	GREASE FITTING, 3/16" Serrated (3)
20A	7-4956	BRACKET, Axle Stop (Wide Stance Caster)
20B	7-2041	BRACKET, Axle Stop (Wide Stance Caster)
21	9-2046	WASHER, 1-3/16" Flat (3)
22	7-4154	BRACKET, Frame Stabilizer Bar (2)
23	9-1640	BOLT, 3/8-16 x 1" Square Neck Carriage (4)
24	2-9355	BOLT, 1/2-13 x 3-3/4" Hex Head Cap, Grade 5 (2)
25	9-1922	NUT, 1/2-13 Hex Nyloc (2)

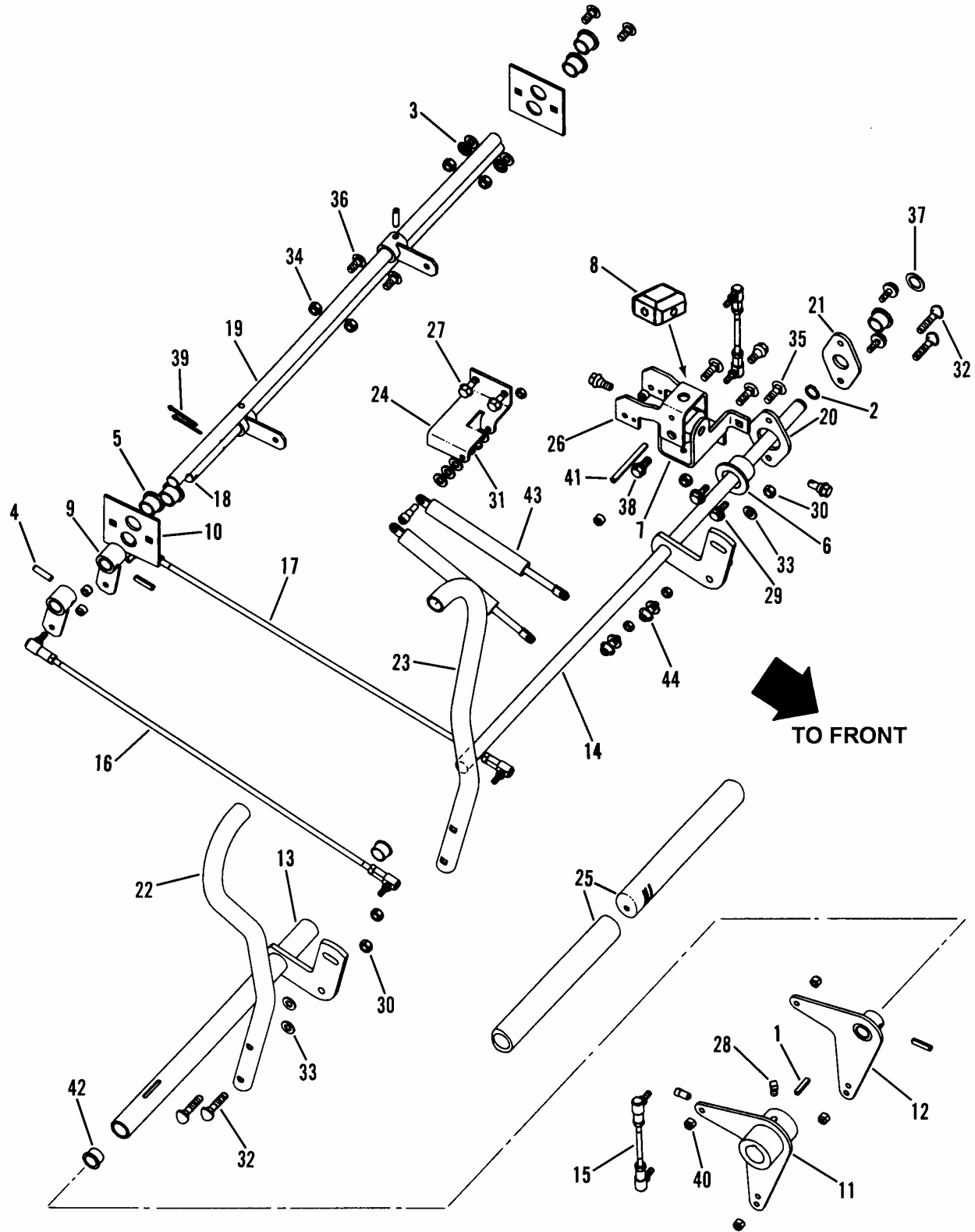
# JOYSTICK CONTROL ASSEMBLY (All Models except ZMT2500KH)



## JOYSTICK CONTROL ASSEMBLY (All Models except ZMT2500KH)

ITEM	PART NO.	DESCRIPTION
1	9-1809	COTTER PIN, 1/8" x 1-1/4" (3)
2	4-3881	SHAFT, Hydro Left Hand
3	4-2638	ARM/HUB Weldment (4)
4	9-1298	NUT, 5/16-18 Hex Nyloc (7)
5	7-3060	PLATE, Hydro Shaft (2)
6	1-1791	RETAINER, 5/16" Bolt (2)
7	9-1296	WASHER, 11/32" Flat (4)
8	9-1508	BOLT, 5/16-18 x 3/4" Carriage, Grade 5 (3)
9	7-2934	BUSHING (notched) (8)
10	1-3072	ROLL PIN, 1/4 x 1" (4)
11	2-3656	HANDLE, Plastic
12	9-0844	ROLL PIN 3/16 x 3/4"
13	4-2599	HANDLE, Joystick Control (Weldment)
14	9-1800	BOLT, 5/16-18 Shoulder (4)
15	3-5533	BLOCK, Joy Stick Control Pivot
16	3-5532	BRACKET, Joystick Mounting
17	9-1812	NUT, 1/4-28 Hex Nyloc (8)
18	9-1303	BOLT, 3/8-16 x 1" Carriage Short Neck (4)
19	4-3871	SHAFT, Joystick Control Pivot
20	9-1917	NUT, 7/16-14 Hex
21	9-1816	ROLL PIN, 1/4 x 2-3/4"
22	1-5753	BALL-JOINT (8)
23	9-1605	NUT, 1/4-28 Hex, Grade 5 or B (8)
24	3-5908	ROD, Threaded 1/4-28 x 2-23/32 (2)
25	4-3880	ROD, Threaded 1/4-28 x 13-21/32 (2)
26	2-2112	SPACER (2)
27	4-3874	PIVOT ARM, Joystick Control Weldment (2)
28	9-1628	WASHER, 13/32" Flat
29	4-3882	SHAFT, Hydro (Right Hand)

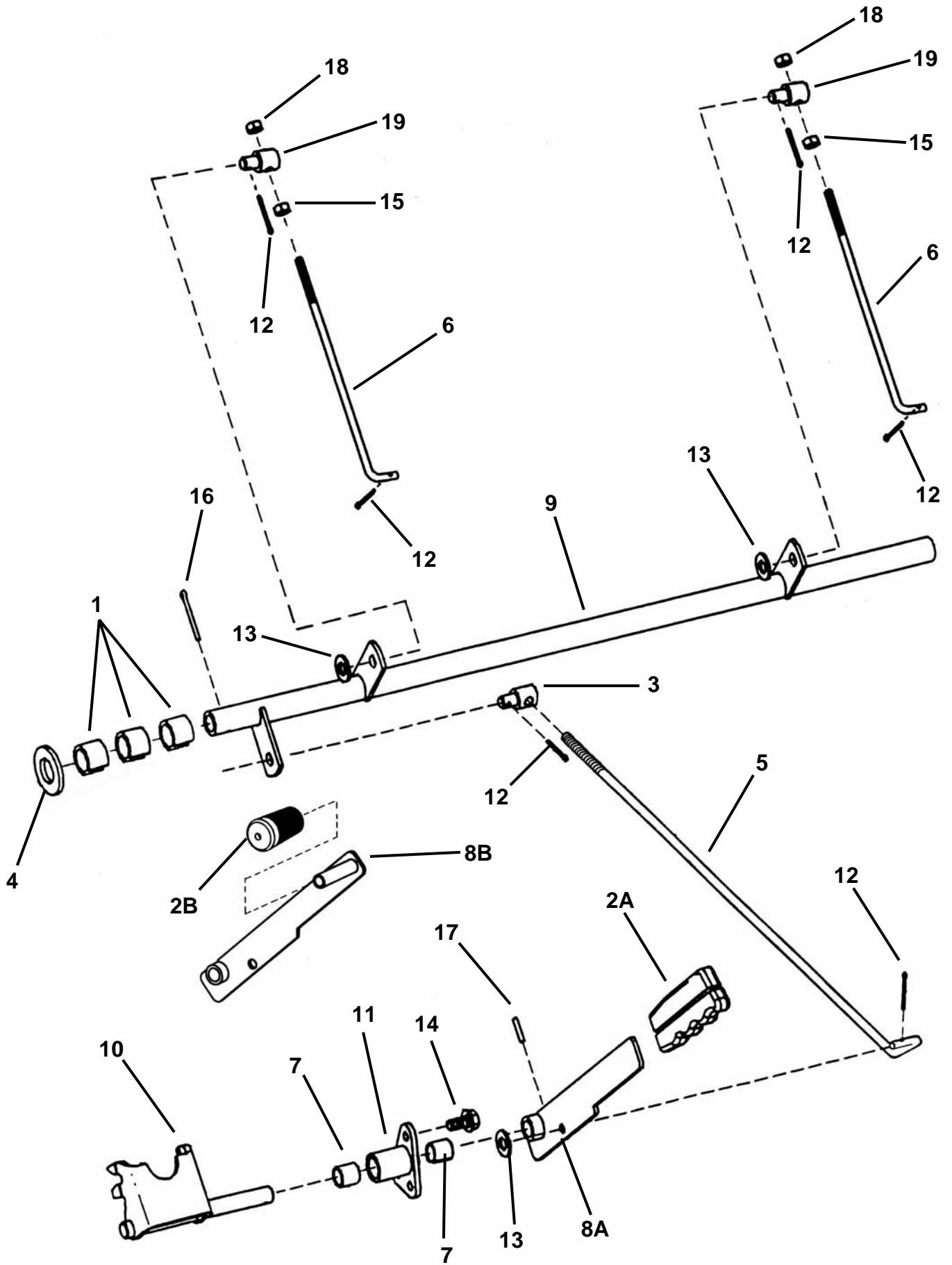
# TWIN STICK CONTROL ASSEMBLY (Model ZMT2500KH)



## TWIN STICK CONTROL ASSEMBLY (Model ZMT2500KH)

ITEM	PART NO.	DESCRIPTION
1	1-0061	KEY, 3/16" Square x 1"
2	1-0739	RING, 5/8" External Retaining
3	1-1791	RETAINER, 5/16" Bolt (2)
4	1-3072	ROLL PIN, 1/4" x 1" (5)
5	1-3874	BUSHING, 5/8 I. D. x 5/8" (5)
6	2-3556	BUSHING, Caster
7	3-5532	BRACKET, Joystick Mounting
8	3-5533	BLOCK, Pivot
9	4-2638	WELDMENT, Arm/Hub (4)
10	7-3060	PLATE, Bushing, Hydro Shaft (2)
11	5-8108	WELDMENT, R. H. Control Bellcrank
12	5-8109	WELDMENT, L. H. Control Bellcrank
13	5-8110	WELDMENT, R. H. Control
14	5-8111	WELDMENT, L. H. Control
15	5-8115	ASSEMBLY, Ball Joint Link 5.12" (2) Includes 7-1970 (Rod), 1-5753 Ball Joint (2) & 9-1605 Hex Nut (2)
16	5-8116	ASSEMBLY, Ball Joint Link 20.4" Includes 7-1971 (Rod), 1-5753 Ball Joint (2) & 9-1605 Hex Nut (2)
17	5-8117	ASSEMBLY, Ball Joint Link 20.56" Includes 7-1971 (Rod), 1-5753 Ball Joint (2) & 9-1605 Hex Nut (2)
18	7-1944	HYDRO SHAFT, L.H.
19	7-1945	HYDRO SHAFT, R.H.
20	7-1959	PLATE, R.H. Bearing
21	7-3061	PLATE, L.H. Bearing (Twin-Stick Z Mower)
22	7-1964	ARM, R.H. Twin Stick Control
23	7-2022	ARM, L.H. Twin Stick Control
24	7-2047	BRACKET, Dampener Mounting
25	7-2212	GRIP, Twin Stick (2)
26	7-2442	BRACKET, Joystick Control
27	9-0361	SCREW, 5/16-18 x 5/8" Hex Washer Self-Tap (2)
28	9-0848	SET SCREW, 5/16-18 x 1/2" Square Head Cup Point (2)
29	9-1016	SCREW, 1/4-20 x 5/8" Hex Head Self-Tap (4)
30	9-1067	NUT, 5/16-18 Hex Center Lock, Grade 8 (4)
31	9-1099	NUT, 1/4-20 Hex Center Lock, Grade 5 or B (4)
32	9-1190	BOLT, 5/16-18 x 1-1/2" Curved Head Square Neck (4)
33	9-1296	WASHER, .34 I.D. Flat (20)
34	9-1298	NUT, 5/16-18 Hex Nyloc (7)
35	9-1303	BOLT, 5/16-18 x 1" Round Head Short Neck Carriage, Grade 5 (3)
36	9-1508	BOLT, 5/16-18 x 3/4" Round Hd. Short Neck Carriage, Grade 5 (3)
37	9-1628	WASHER, 5/8" I. D. Flat
38	9-1800	BOLT, 5/16-18 Shoulder (4)
39	9-1809	COTTER PIN, 1/8 x 1-1/4" (2)
40	9-1812	NUT, 1/4-28 Hex Nyloc (9)
41	9-1816	ROLL PIN, 1/4 x 2-3/4"
42	7-2934	BUSHING, .632 I. D. x .753 O.D. Teflon Impregnated (2)
43	9-2009	CYLINDER, Dampener
44	9-2010	BOLT, 1/4-20 Socket Head Shoulder (4)

# PARKING BRAKE ASSEMBLY



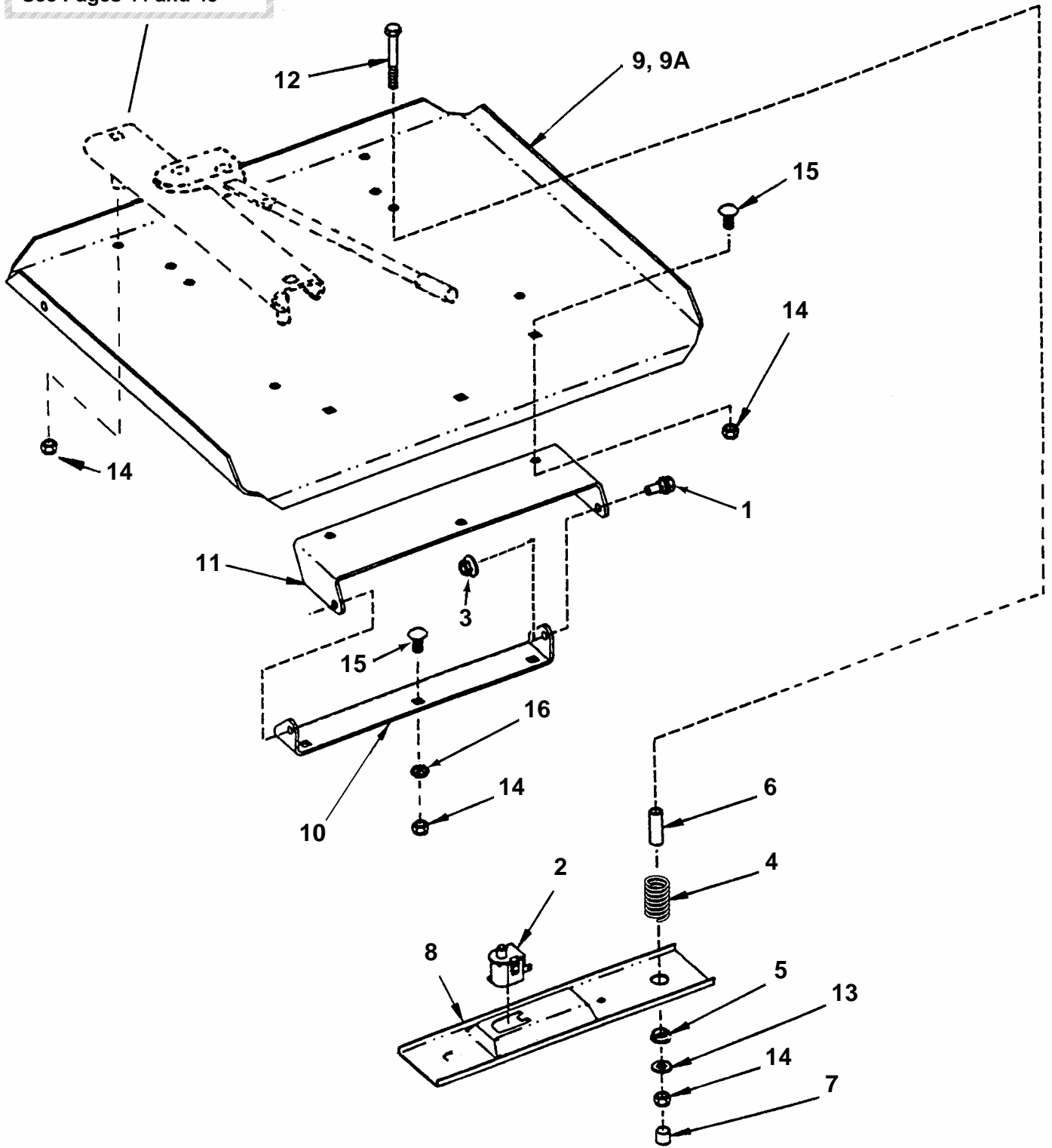


## PARKING BRAKE ASSEMBLY

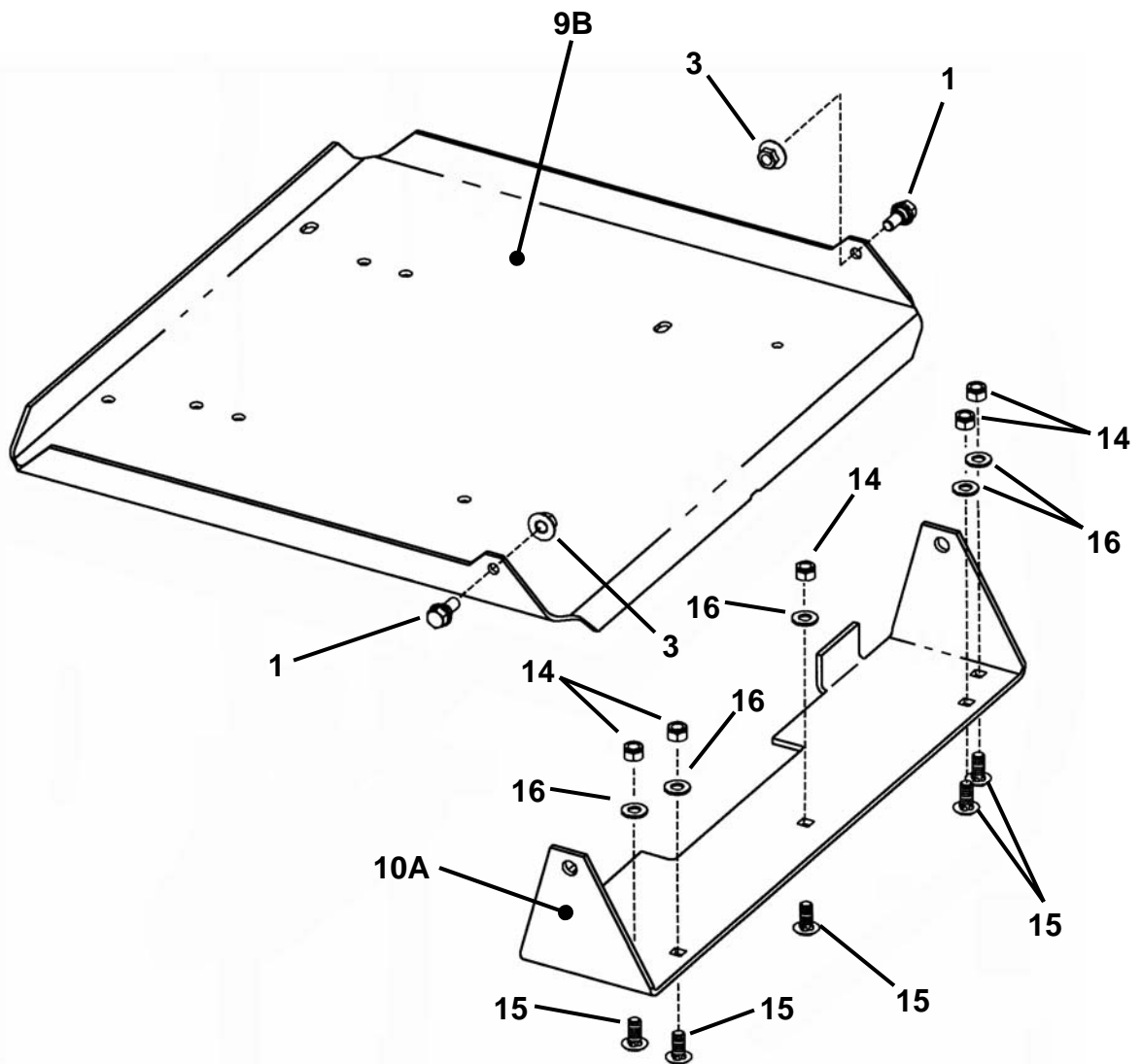
ITEM	PART NO.	DESCRIPTION
1	1-2068	RING, Rear Lift Arm (3)
2A	2-6420	GRIP, Flat Bar (Models ZM2200K & ZM2500K)
2B	7-2222	GRIP, Park Brake Lever (Models ZMT2500KH, MZM2200KH, MZM2300K, ZM2501KH, ZM2502KH)
3	4-6451	SWIVEL, Adjustable
4	1-0935	WASHER, 3/4" I.D. x 1-1/8" O.D. x 1/16 Thick, Flat
5	4-6449	ROD, Brake Parking
6	4-3876	ROD, Hydrostatic Brake (2)
7	3-6399	SLEEVE Bearing, 1/2 I.D. x 5/8 O.D. (2)
8A	4-6469	WELDMENT, Brake Arm (Models ZM2200K & ZM2500K)
8B	5-8082	WELDMENT, Brake Arm (Models ZMT2500KH, MZM2200KH, MZM2300KH, ZM2501KH, ZM2502KH)
9	4-3875	SHAFT, Brake (Weldment)
10	4-2647	BRACKET, Joystick Lockout (Weldment)
11	4-2648	PLATE, Support (Weldment)
12	9-1597	COTTER PIN, 3/32 x 3/4" (6)
13	9-1514	WASHER, 13/32 I.D. x 13/16 O.D. x 5/64 Flat (3)
14	9-1523	SCREW, 5/16-18 x 5/8" Hex Self-Tapping (3)
15	9-1605	NUT, 1/4-28 Hex, Grade 5 or B (2)
16	9-1809	COTTER PIN, 1/8 x 1-1/4
17	1-4001	PIN, 1/8 x 3/4" Roll
18	9-1812	NUT, 1/4-28 Hex Nyloc (2)
19	9-1832	SWIVEL, 1/4" Smooth (2)

# SEAT SUPPORT ASSEMBLY

ADJUSTER WITH LOCK  
See Pages 44 and 45

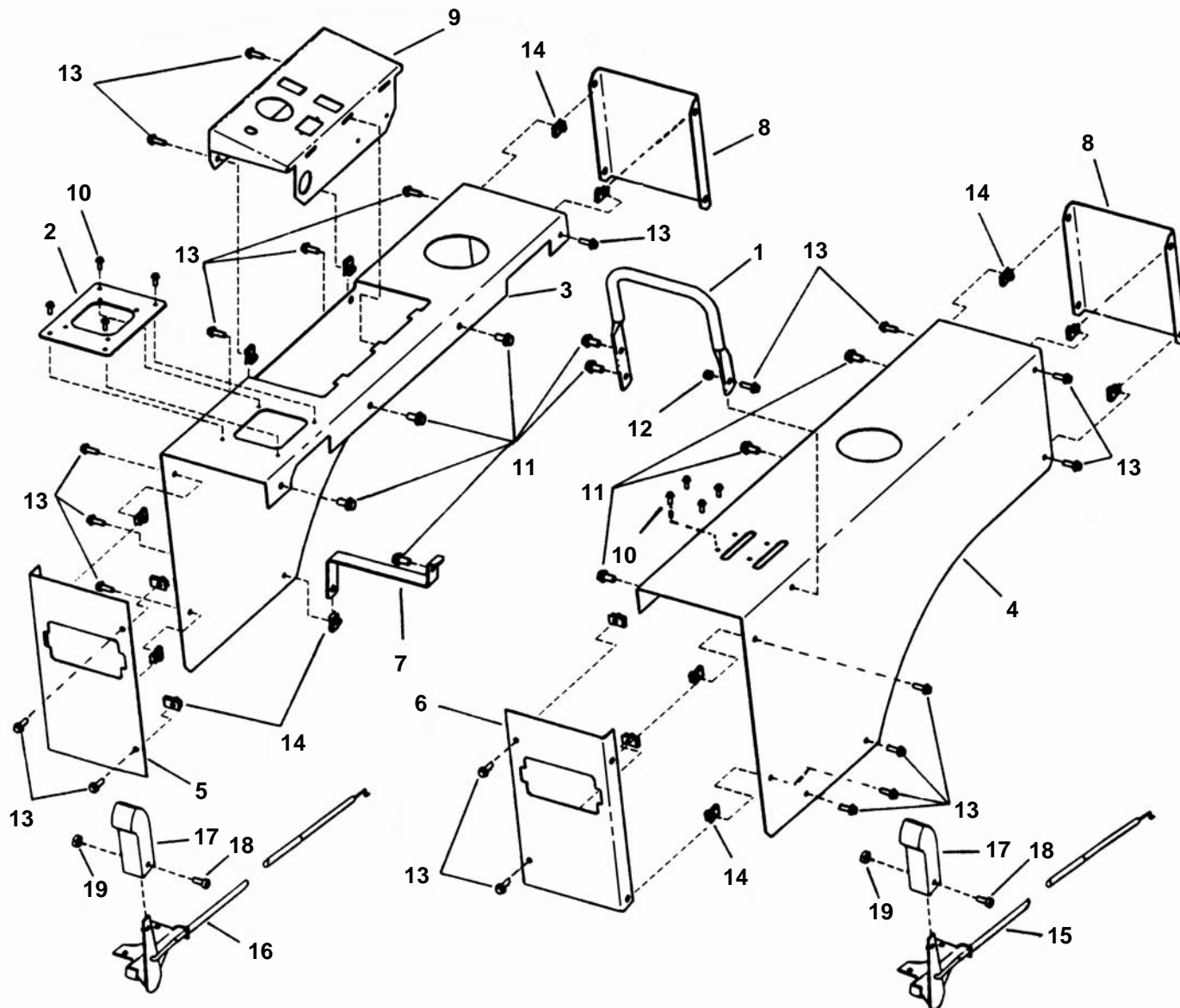


# SEAT SUPPORT ASSEMBLY



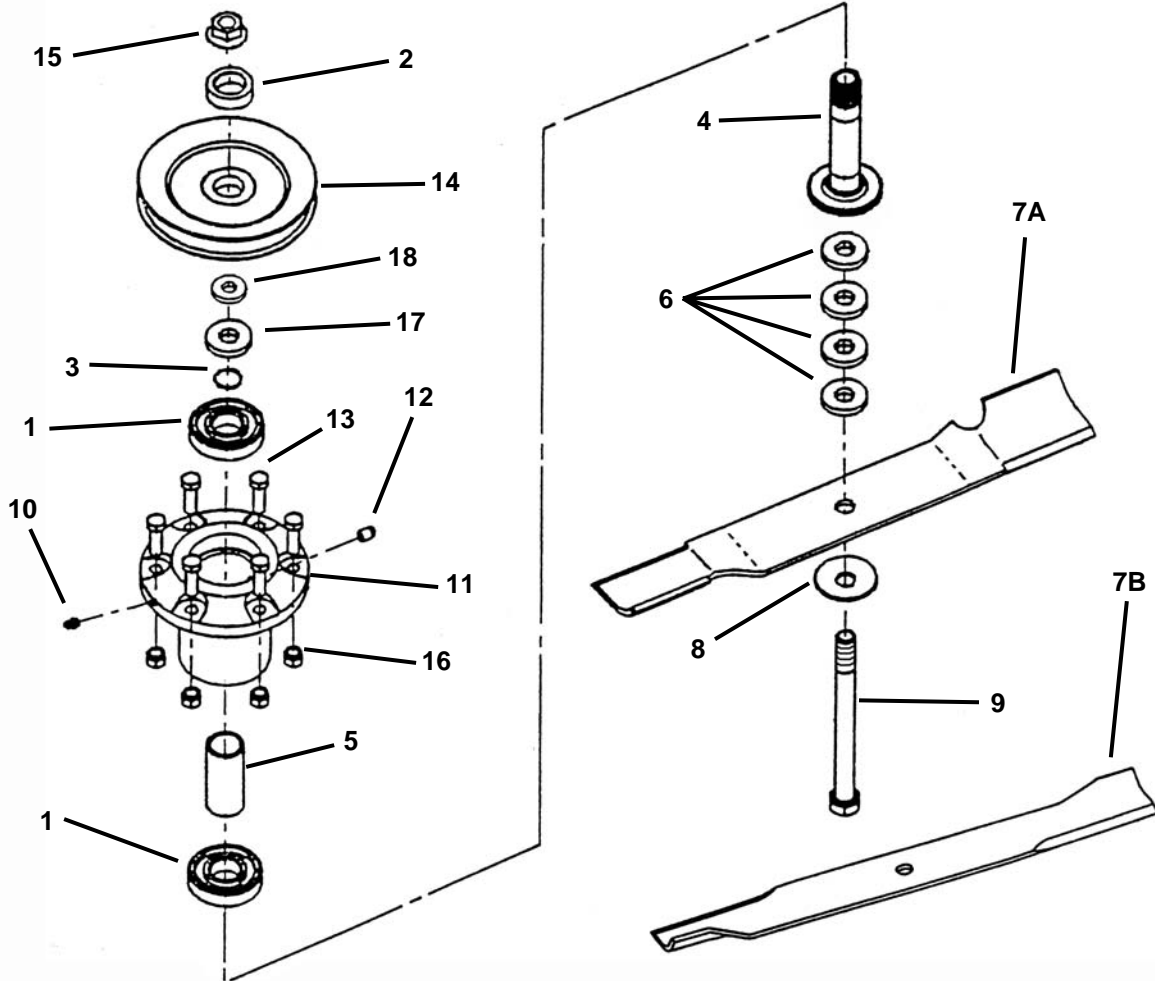
ITEM	PART NO.	DESCRIPTION
1	1-5761	BOLT, 5/16-18 x 3/4" Shoulder (2)
2	2-3354	SWITCH, Seat (Normally Closed)
3	9-0951	NUT, 5/16-18 Hex Flange Lock (2)
4	3-6492	SPRING (2)
--	9-2007	SPRING (Models MZM2200KH, MZM2300K & ZMT2500KH Only)
5	2-2793	BUSHING, Molded Seat, 1/2 I.D. x 5/8" O.D. (2)
6	2-2794	SPACER, 5/16 I.D. x 1-3/8" Long (2)
7	2-3606	CAP, Vinyl (2)
8	3-3362	HOLDER, Seat Switch
9	3-5827	PLATE, Seat Support
9A	4-6960	PLATE, Seat Support (Models MZM2200K & MZM2300K Only)
9B	7-2015	PLATE, Seat Support (Model ZMT2500KH Only)
10	7-2210	HINGE, Seat Support
10A	7-2034	BRACKET, Seat Hinge (Model ZMT2500KH Only)
11	3-5839	BRACKET, Upper Seat Support Hinge (Used on all but ZMT2500KH)
12	9-1046	SCREW, 5/16-18 x 2-1/2" Hex Head Cap, Grade 5 (2)
13	9-1296	WASHER, 5/16 x 11/16 O.D. Flat (10)
14	9-1298	NUT, 5/16-18 Hex Nyloc (12)
15	9-1508	BOLT, 5/16-18 x 3/4 Carriage Grade 5 (6)
16	1-1791	RETAINER, 5/16" Bolt (5)

# FENDER/CONTROL CABLE ASSEMBLY



ITEM	PART NO.	DESCRIPTION	ITEM	PART NO.	DESCRIPTION
1	3-5548	HANDLE, 5/8" Tubing	9	4-4820	BRACKET, Instrument Panel (shown)
2	3-5940	PLATE, Joystick Control (shown)	--	4-6863	BRACKET, Instrument Panel (MZM Models Only)
--	7-2043	COVER, Joystick Hole (Model ZMT2500KH Only)	10	9-0913	SCREW, #10-24 x 1/2" Hex Washer Self-Tap Torx (8)
3	4-2984	FENDER, Right Hand	11	9-1523	SCREW, 5/16-18 x 5/8" Hex Washer Self-Tapping (9)
--	4-6407	FENDER, Right Hand (MZM Models Only)	12	9-1603	NUT, 1/4-20 Hex Nyloc
4	4-2985	FENDER, Left Hand	13	9-1906	SCREW, 1/4-20 x 3/4" Hex Cap Grade 5 (21)
--	4-7006	FENDER, Left Hand (MZM Models Only)	14	2-3295	U-NUT, 1/4-20 Lock, (16)
5	4-2986	BRACKET, R. H. Headlight	15	3-5837	CABLE, Choke, Kohler
--	4-6420	BRACKET, Right Hand (MZM Models Only)	16	3-5838	CABLE, Throttle, Kohler
6	4-2987	BRACKET, L. H. Headlight	17	2-3655	LEVER, Throttle Control (2)
--	4-6421	BRACKET, Left Hand (MZM Models Only)	18	9-1017	SCREW, #8-32 x 3/8" Curved Machine (2)
7	4-3898	BRACKET, Fender Brace	19	9-1018	NUT, #8-32 Hex (2)
8	4-4700	BRACKET, Rear Fender (2)			

# CUTTER HOUSING ASSEMBLY

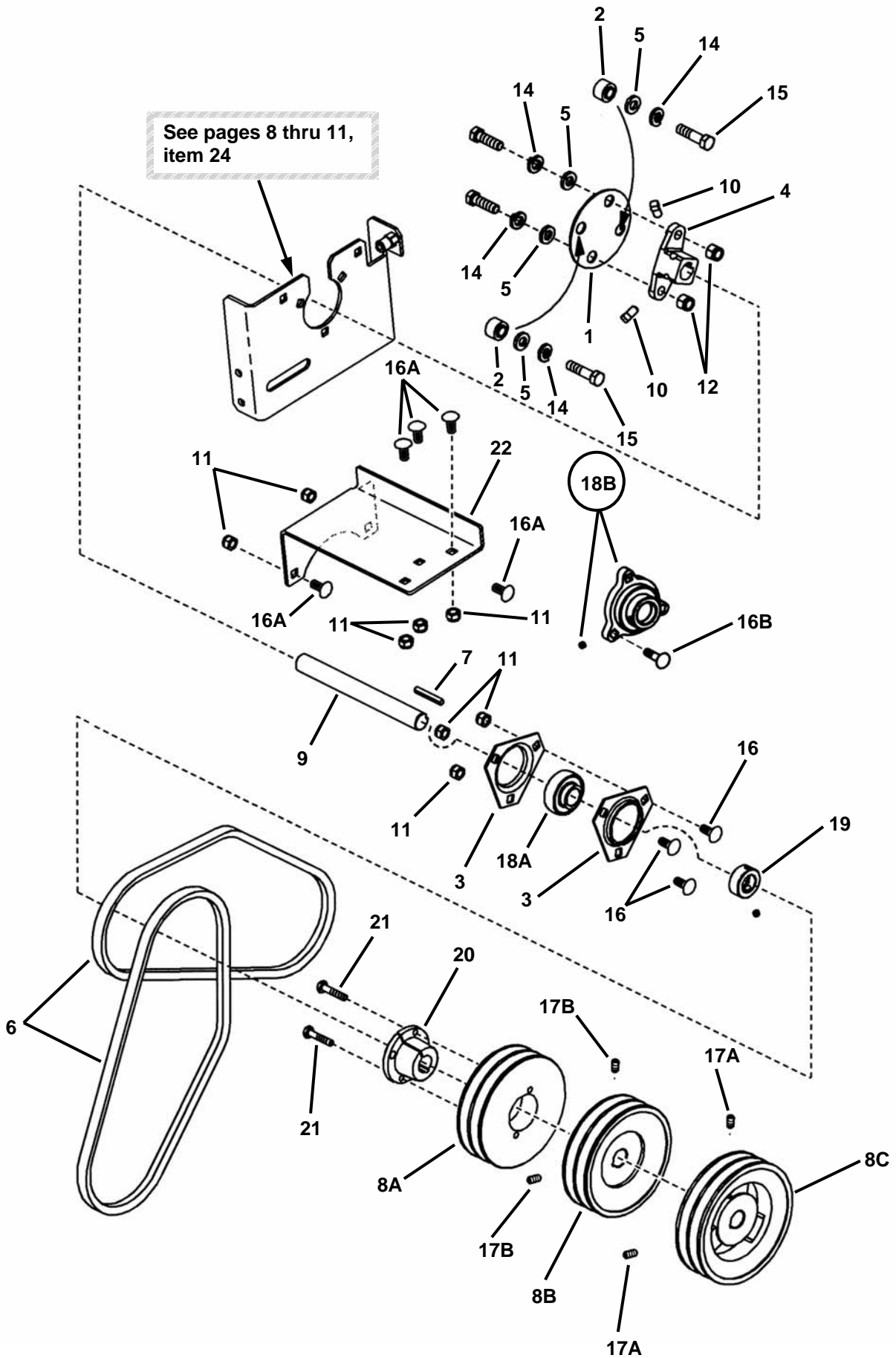


ITEM	PART NO.	DESCRIPTION
1	2-9422	BEARING, Sealed (2)
2	2-9270	WASHER, Spindle
3	2-9274	SNAP-RING, Spindle Shaft
4	5-9311	SHAFT, Spindle
5	2-9254	SPACER, Bearing
6	2-9271	SPACER, Blade (4)
7A	2-9246	BLADE, 18" (ZM5200M Mower)
7B	7-3395	BLADE, Low Lift 18" (ZM5201M, ZM5202M Mower)
7C	1-7037	BLADE, High Lift 18" (ZM5202M Mower)
7D	1-7081	BLADE, 21" (ZM6100M & ZM6102M Mowers)
7E	7-3396	BLADE, Low Lift 21" (ZM6101M, ZM6102M Mower)
8	1-6440	WASHER, Beveled
9	6-3234	BOLT, 5/8-11 x 7-1/2" Hex Head Cap, Grade 5
10	2-9275	FITTING, Lube
11	2-9252	HOUSING, Cutter
12	2-9384	VENT, Spindle
13	2-9302	BOLT, 3/8-16 x 1-1/4" Rib Necked (6)
14	2-9249	PULLEY, 5-3/4" O.D.
15	6-3237	NUT, 5/8-11 Hex Flange Grade 5
16	9-1299	NUT, 3/8-16 Hex Nyloc (6)
17	6-3238*	SEAL, Nylos
18	1-3370*	WASHER

**NOTE: 5-4017 (Spindle Housing Sub-Asy.) is made of items 11 & 12 (one each) and item 13 (six each).**

**\*NOTE: For Bearing Pre-Seal Kit (6-3240) installation, discard item 3 and replace with items 17 & 18 as shown.**

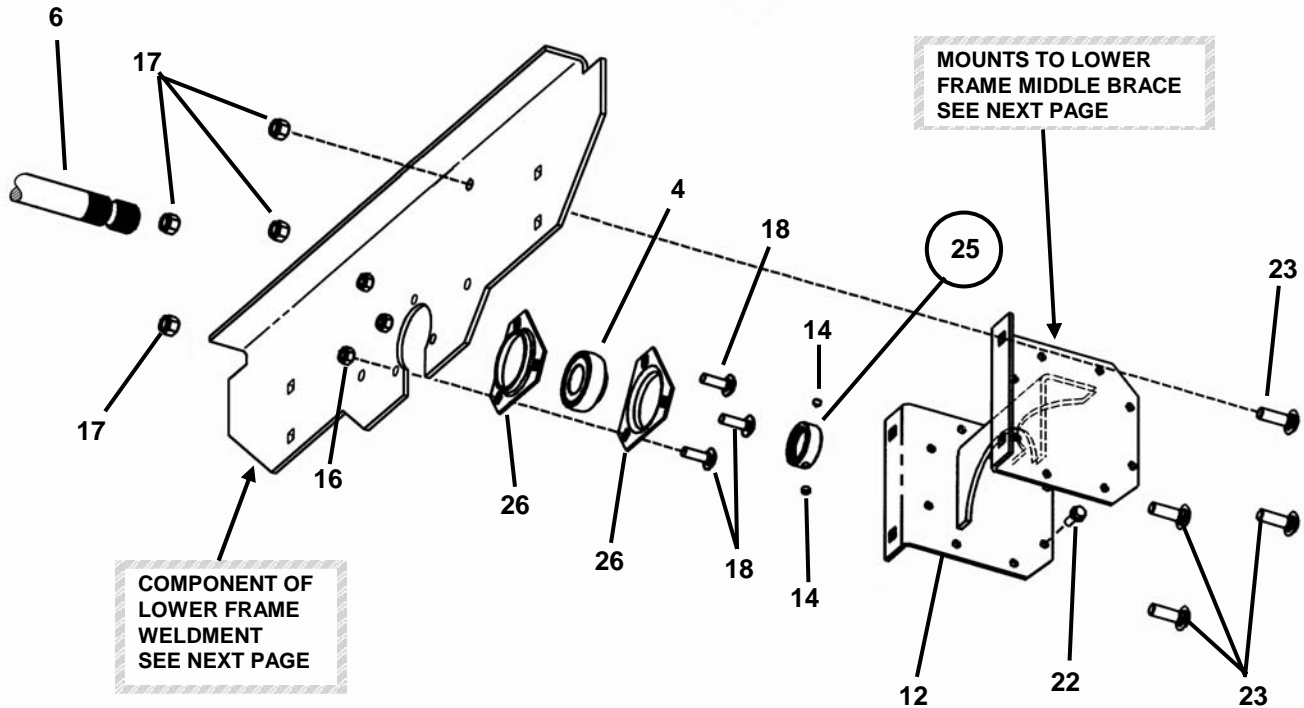
# UPPER DRIVE SHAFT ASSEMBLY



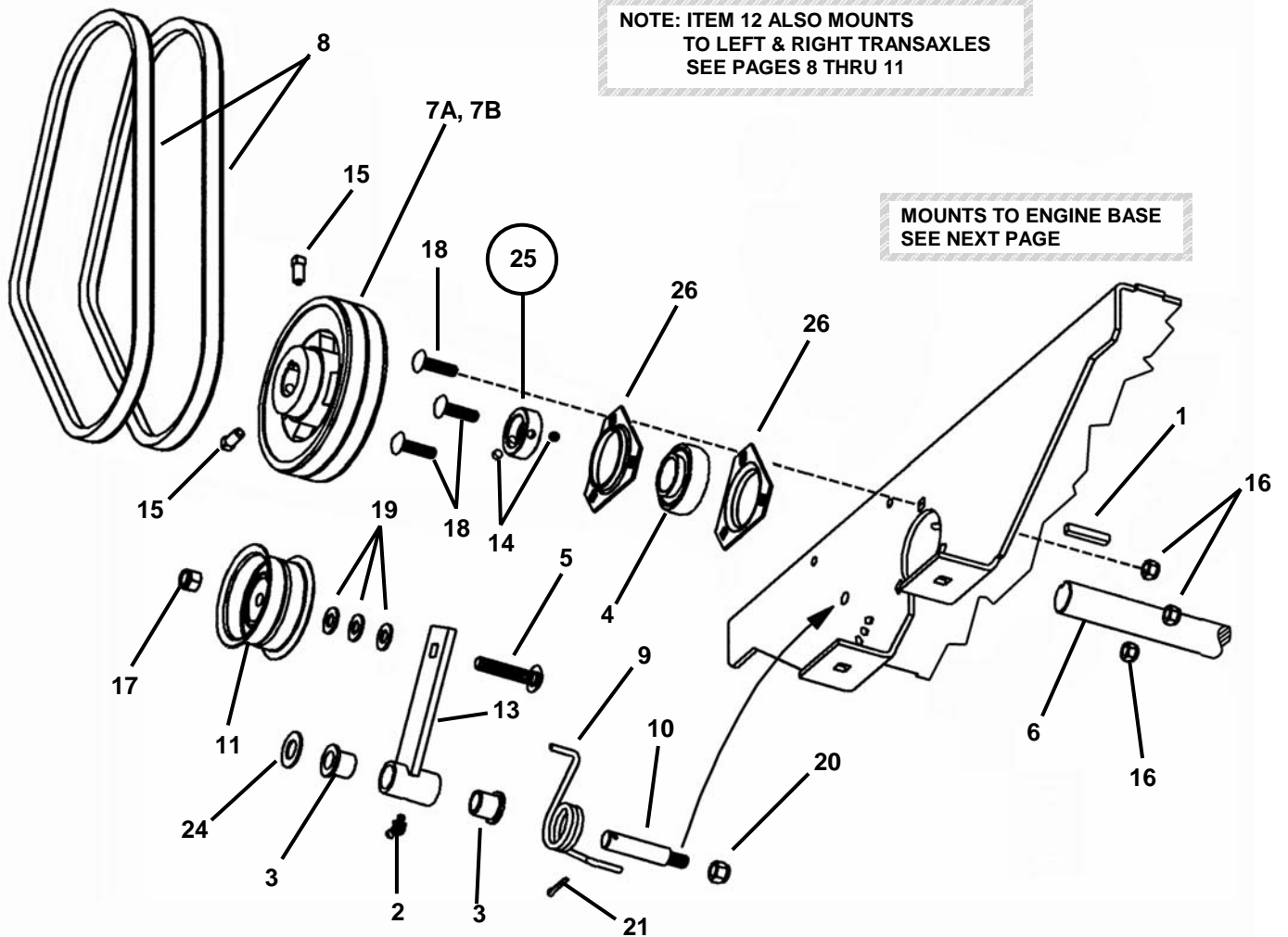
## UPPER DRIVE SHAFT ASSEMBLY

ITEM	PART NO.	DESCRIPTION
1	1-4338	DISC, Flexible
2	1-4803	SPACER, Coupling (2)
3	4-7225	FLANGE, Bearing (2) (requires Item 18A, order separately) (Models MZM2200K & MZM2300K)
4	1-8626	HUB, Drive Shaft Adapter
5	3-2070	WASHER, 13/32 I.D. x 3/4 O.D., Flat (4)
6	4-5254	BELT, Traction Drive (AX Cogged, 34.35 Eff. Length) (2)
--	7-2357	BELT, Traction Drive (2) (Model ZMT2500KH Only)
7	9-1803	KEY, 3/16 x 1-1/2" Square
8A	7-4916	PULLEY, Dual V-Groove (4.95" O.D.) (requires items 20 & 21)
8B	3-5564	PULLEY, Dual V-Groove (4.95 O.D.) (includes 17B (2))
8C	7-2266	PULLEY, Dual V-Groove (5.45 O.D.) (includes 17A (2)) (used on Model ZMT2500KH Only)
9	4-2805	DRIVE SHAFT, 3/4" Upper
10	9-0848	SET SCREW, 5/16-18 x 1/2" Square Head (2)
11	9-1298	NUT, 5/16-18 Hex Nyloc (3)
12	9-1299	NUT, 3/8-16 Hex Nyloc (2)
13	9-1304	SCREW, 3/8-16 x 1" Hex Head Cap, Grade 5 (2)
--	9-1328	SCREW, 3/8-16 x 1-1/4" Hex Head Cap, Grade 5 (2)
14	9-1320	WASHER, 3/8" Split Lock (2)
15	9-1497	SCREW, 3/8-16 x 1-1/2" Hex Head Cap, Grade 5 (2)
16A	9-1508	BOLT, 5/16-18 x 3/4", Carriage, Grade 5 (3) (Models MZM2200K, MZM2300K & ZM2501KH)
16B	9-1928	BOLT, 5/16-18 x 1-1/4" Square Neck Carriage Gr. 5 (3)
17A	9-1802	SCREW, 5/16-18 x 5/8", Socket-Head (2)
17B	9-2018	SET SCREW, 5/16-18 x 3/4" Square Head (2)
18A	1-5971	BEARING (MZM Models Only, use with item 19)
18B	5-4655	ASSEMBLY, Flange/Bearing/Lock Collar (Includes 1-4625, 3/4" Lock Collar w/Set Screw and 4-5246, Flange Bearing)
19	1-4625	LOCK COLLAR, 3/4" I.D. (includes 1/4-28 set screw)
20	7-4917	PULLEY HUB, Taper-Lock
21	9-1814	SCREW, 1/4-20 x 1-1/4" Hex Head Cap (2)
22	7-2318	SUPPORT, Bearing Mount

# DECK DRIVESHAFT ASSEMBLY (Except for MZM Models)

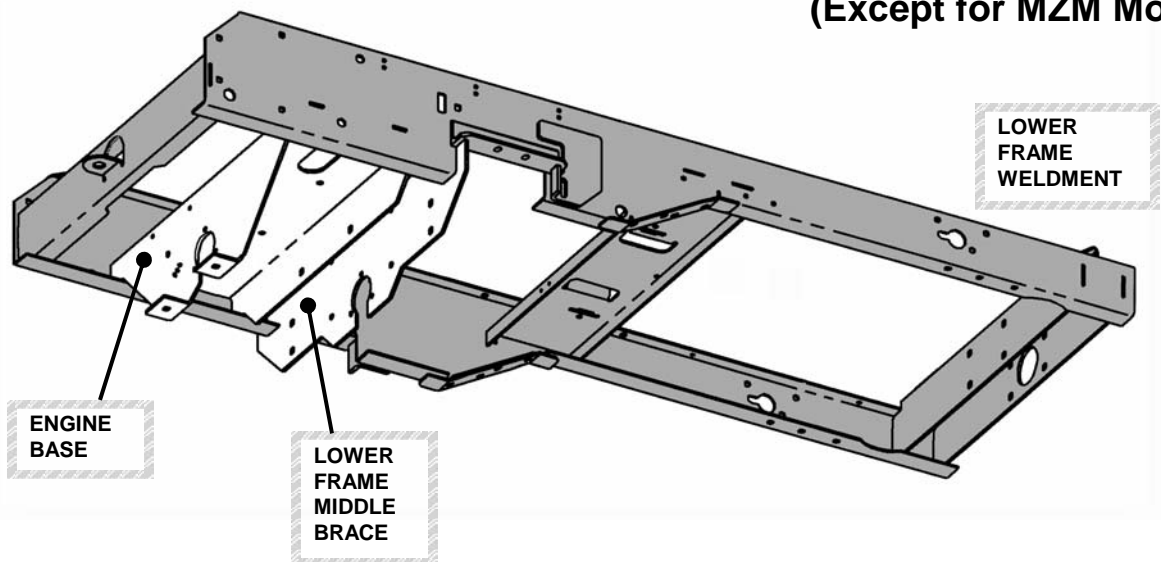


NOTE: ITEM 12 ALSO MOUNTS  
TO LEFT & RIGHT TRANSAXLES  
SEE PAGES 8 THRU 11



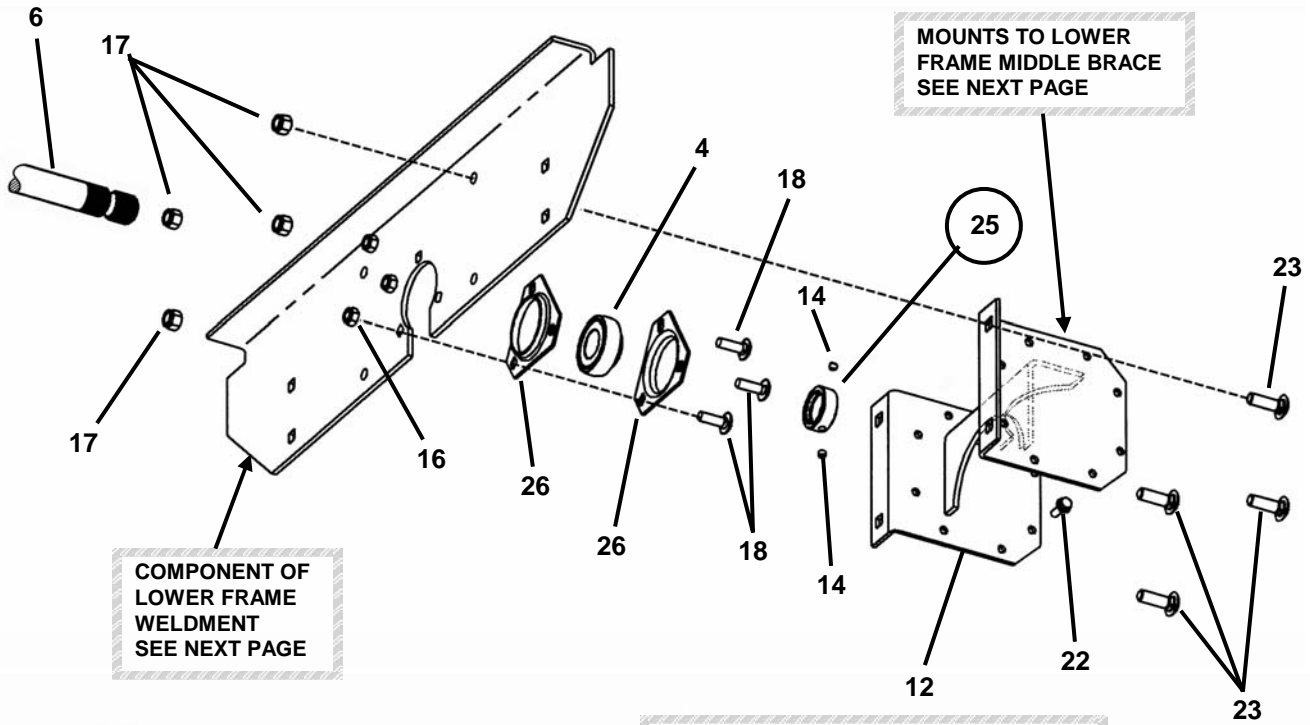


## DECK DRIVESHAFT ASSEMBLY (Except for MZM Models)

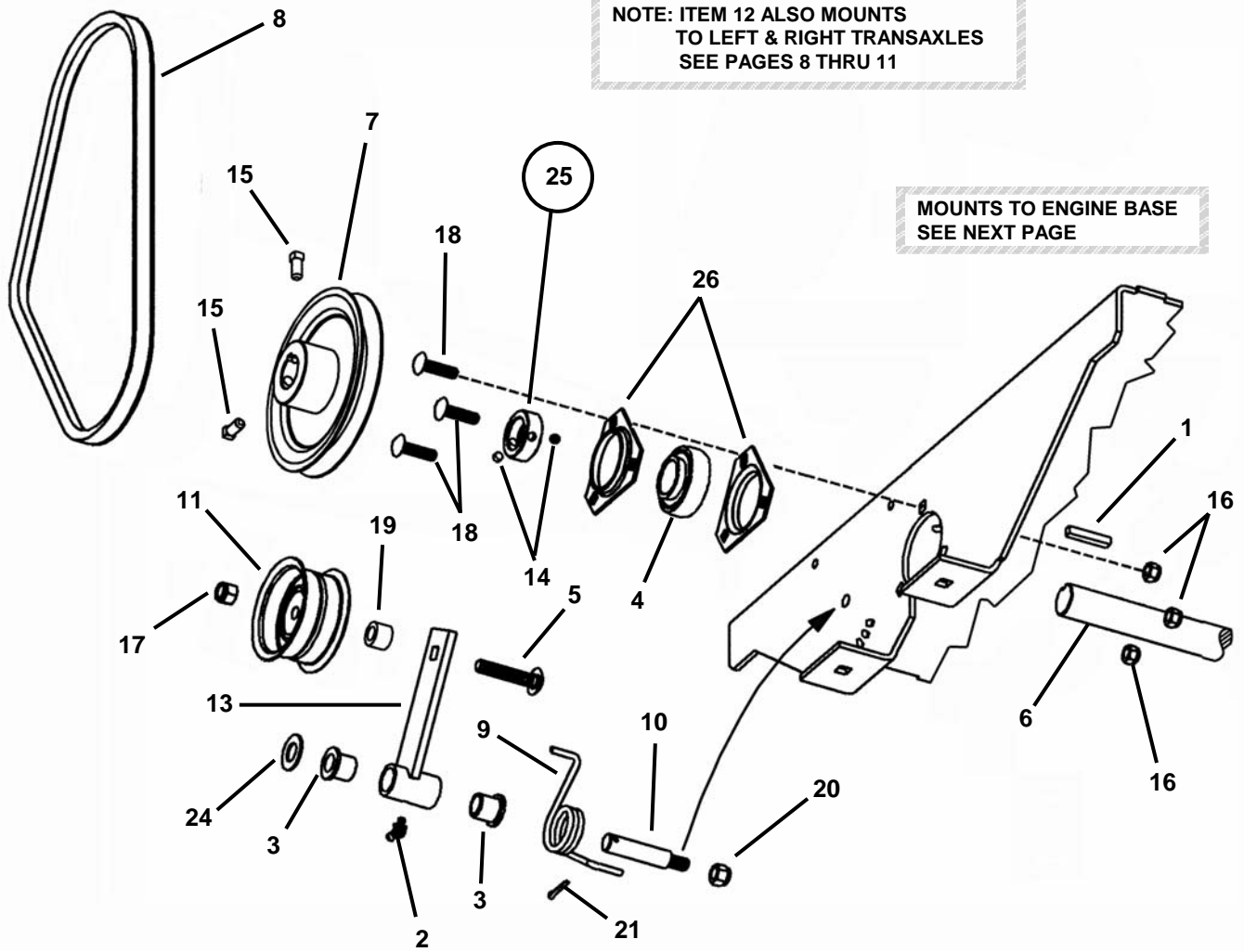


ITEM	PART NO.	DESCRIPTION
1	1-2315	KEY, 1/4 x 2" Square
2	1-3324	FITTING, Lube (45 degree, for 3/16" hole)
3	1-4409	BUSHING (2)
4	4-7227	BEARING, 1" I.D. (2)
5	9-0990	BOLT, 3/8-16 x 2" Short Neck Carriage, Grade 2
6	4-2801	DRIVE SHAFT, Deck (1" Diameter, 15 Spline)
7A	3-5531	PULLEY, Double V (5.45 O.D., A Section)
7B	7-2388	PULLEY, Double V (4.95 O.D., A Section) (Models ZMT2500KH, ZM2501KH, ZM2502KH)
8	3-5543	BELT, Deck Drive (HA 36.5 Effective Length) (2)
--	7-2293	BELT, Deck Drive (AX 38.5 Effective Length) (2) (Model ZMT2500KH, ZM5201KH, ZM2502KH)
9	3-5713	SPRING, Torsion
10	3-5816	STUD, Idler (3/8-24 Thread)
11	3-5867	FLAT IDLER, 2-3/4" O.D x 1-1/4" Wide
12	4-2865	WELDMENT, Hydro Support
13	4-2622	WELDMENT, Idler Arm
14	9-0776	SET SCREW, 1/4-20 x 1/4" Socket Head, Cone Point (4)
15	9-1802	SET SCREW, 5/16-18 x 5/8" Socket Hd., Cup Pt. (used with 7A)
--	9-0848	SET SCREW, 5/16-18 x 1/2" Sq. Hd. Knurled Cup (used with 7B)
16	9-1298	NUT, 5/16-18 Hex Nyloc (6)
17	9-1299	NUT, 3/8-16 Hex Nyloc (5)
18	9-1303	BOLT, 5/16-18 x 1" Round Head Short Neck, Grade 5 (6)
19	9-0122	WASHER, 3/8" Flat (3)
20	9-1518	NUT, 3/8-24 Hex Nyloc
21	9-1598	COTTER PIN, 1/8 x 3/4"
22	9-1787	SCREW, 1/4-20 x 5/8" Hex Flange Lock, Grade 5 (16)
23	2-7181	BOLT, 3/8-16 x 1-1/4" Short Neck Carriage, Grade 5 (4)
24	9-1804	WASHER, 9/16" Flat
25	1-4265	ASSEMBLY, Lock Collar, 1" (with 1/4" Set Screw, item 14)
26	4-7226	FLANGE, 1" Bearing (4)

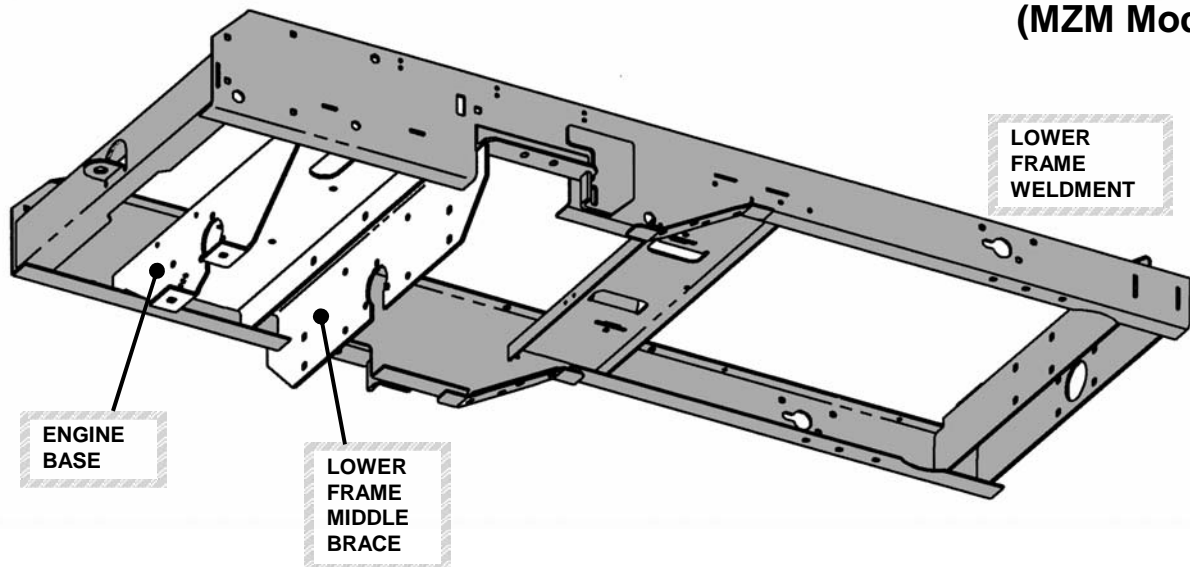
# DECK DRIVESHAFT ASSEMBLY (MZM Models)



NOTE: ITEM 12 ALSO MOUNTS TO LEFT & RIGHT TRANSAXLES  
SEE PAGES 8 THRU 11

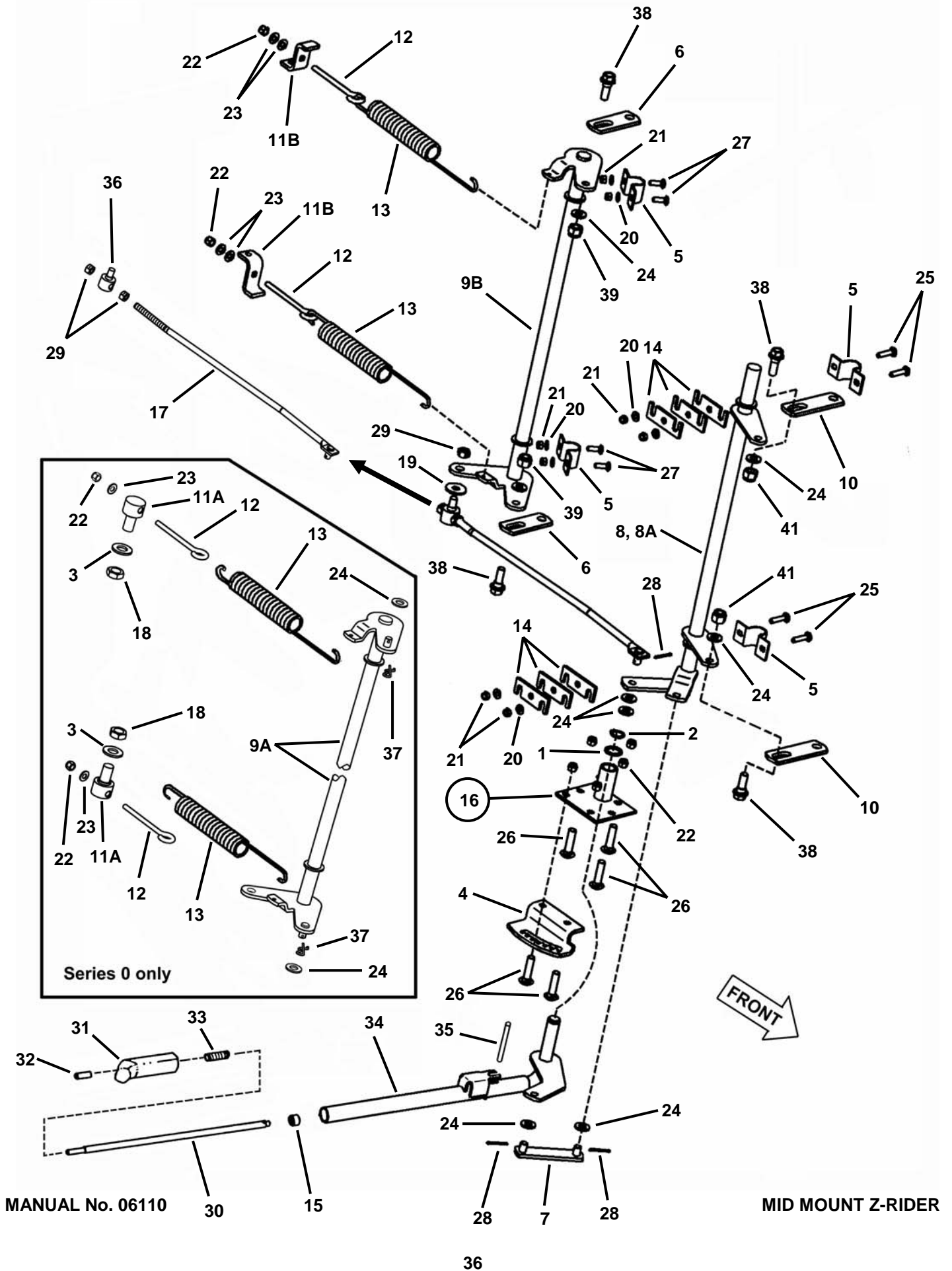


## DECK DRIVESHAFT ASSEMBLY (MZM Models)



ITEM	PART NO.	DESCRIPTION
1	1-2315	KEY, 1/4 x 2" Square
2	1-3324	FITTING, Lube (45 degree, for 3/16" hole)
3	1-4409	BUSHING (2)
4	4-7227	BEARING, 1" I.D. (2)
5	9-0990	BOLT, 3/8-16 x 2" Short Neck Carriage, Grade 2
6	4-2801	DRIVE SHAFT, Deck (1" Diameter, 15 Spline)
7	4-6969	PULLEY, Single V (5.75" O.D., B Section)
8	5-8209	BELT, Deck Drive (AX 36.5" Effective Length)
9	3-5713	SPRING, Torsion
10	3-5816	STUD, Idler (3/8-24 Thread)
11	1-8573	PULLEY, Idler (3.56" O.D.)
12	4-2865	WELDMENT, Hydro Support
13	4-2622	WELDMENT, Idler Arm
14	9-0776	SET SCREW, 1/4-20 x 1/4" Socket Head, Cone Point (4)
15	9-1995	SET SCREW, 5/16-18 x 5/8" Socket Head, Knurled Point
16	9-1298	NUT, 5/16-18 Hex Nyloc (6)
17	9-1299	NUT, 3/8-16 Hex Nyloc (5)
18	9-1303	BOLT, 5/16-18 x 1" Round Head Short Neck, Grade 5 (6)
19	4-7213	SPACER, Idler
20	9-1518	NUT, 3/8-24 Hex Nyloc
21	9-1598	COTTER PIN, 1/8 x 3/4"
22	9-1787	SCREW, 1/4-20 x 5/8" Hex Flange Lock, Grade 5 (16)
23	2-7181	BOLT, 3/8-16 x 1-1/4" Short Neck Carriage, Grade 5 (4)
24	9-1804	WASHER, 9/16" Flat
25	1-4265	ASSEMBLY, Lock Collar, 1" (with 1/4" Set Screw, item 14)
26	4-7226	FLANGE, 1" Bearing (4)

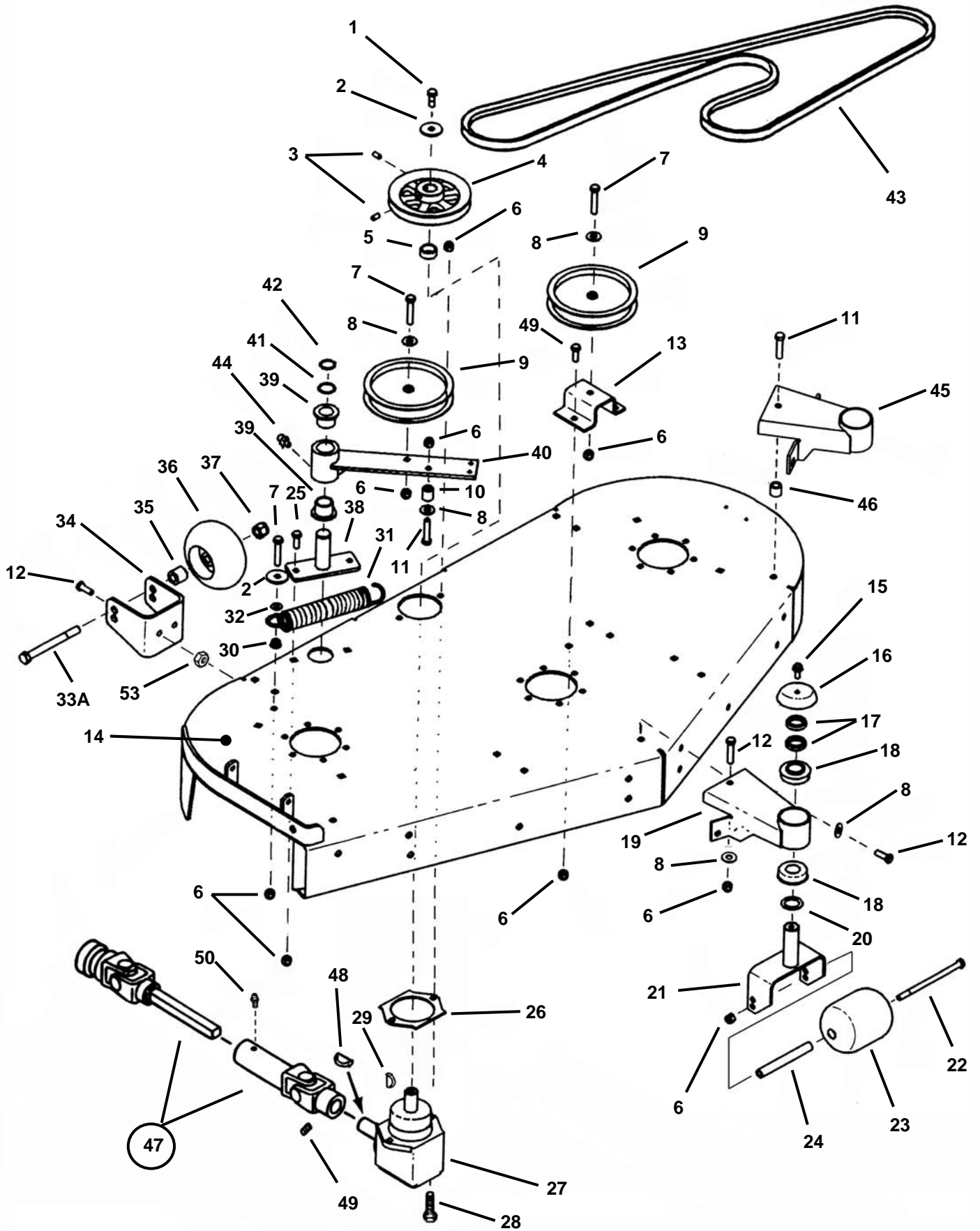
# DECK LIFT SYSTEM



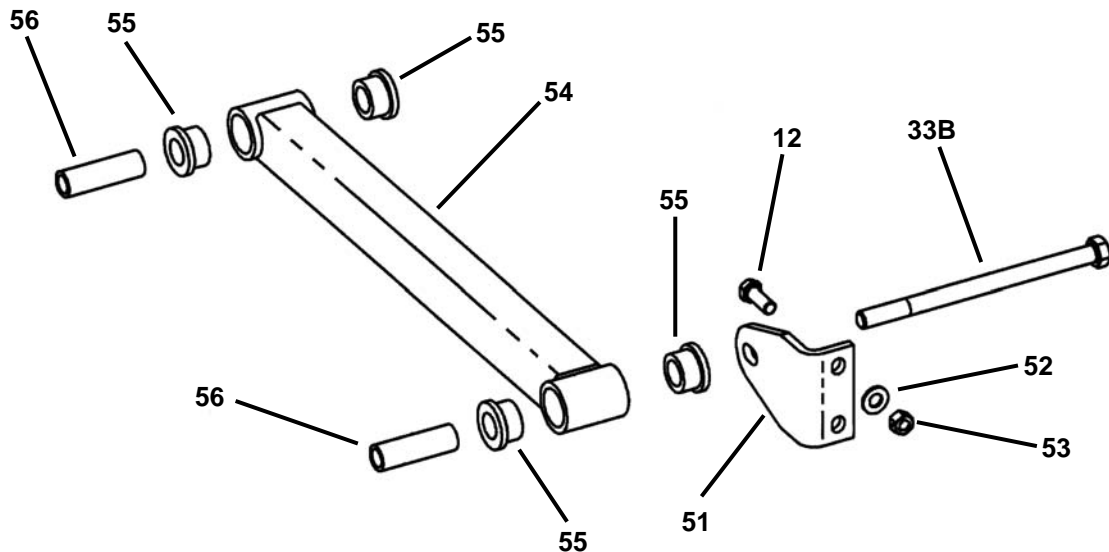
## DECK LIFT SYSTEM

ITEM	PART NO.	DESCRIPTION
1	1-4354	WASHER, 29/32" I.D. x 1-1/4" O.D.
2	1-5020	RING, 7/8" External Retaining
3	3-4453	WASHER, 25/32" x 1-1/2" Flat (ZM Series 0 Models Only) (2)
4	4-3801	BRACKET, Deck Height Quadrant
5	4-3803	BRACKET, Deck Support (4)
6	4-3819	PLATE, Rear Link (4.95" long) (2) (ZM Series 0 Models Only)
--	7-2422	PLATE, Rear Link (4.33" long) (2) (ZMT, MZM & ZM Series 1 & 2 Models)
7	4-3823	WELDMENT, Lift Handle Link
8	4-3827	LIFT, Front Deck (ZM Series 0 Models Only)
8A	5-8741	LIFT, Front Deck (ZMT, MZM & ZM Series 1 Models)
9A	4-6404	WELDMENT, Shaft Deck Lift (ZM Series 0 Models Only)
9B	5-8225	WELDMENT, Shaft Deck Lift (ZMT, MZM & ZM Series 1 & 2 Models)
10	7-3196	PLATE, Front Link (5.45" long) (2) (ZM Series 0, 1 & 2 & ZMT Models)
--	7-3197	PLATE, Front Link (5.20" long) (2) (MZM Model Only)
11A	4-4859	SWIVEL, Spring Anchor (ZM Series 0 Models Only) (2)
11B	4-6412	BRACKET, Spring Adjustment (2) (ZMT, MZM & ZM Series 1 & 2 Models)
12	4-4860	EYEBOLT, 5/16-18 x 3" (2)
13	7-2225	SPRING, Extension Lift Assist (2)
14	4-4870	PLATE, Shim (6)
15	1-5019	PLUG, Rod
16	5-4543	ASSEMBLY, Pivot Plate (Includes 4-3804 Weldment, 1-3864 Lube Fitting and two 1-8289 Sleeve Bearings)
17	4-4857	WELDMENT, Timing Rod
18	9-0820	NUT, 3/4-16 Hex Jam Lock (used on ZM Series 0 Only) (2)
19	9-1194	WASHER, 17/32" x 1-1/2"
20	9-0188	WASHER, 11/32" x 11/16" Flat (8)
21	9-1298	NUT, 5/16-18 Hex Nylon Insert (8)
22	9-1299	NUT, 3/8-16 Hex (7)
23	9-0122	WASHER, 3/8" Flat (4)
24	9-1587	WASHER, 17/32" x 1-1/16" (8)
25	9-1612	BOLT, 5/16-18 x 1-1/2" Carriage Grade 5 (4)
26	9-1640	BOLT, 3/8-16 x 1" Carriage (5)
27	9-1714	BOLT, 5/16-18 x 1-1/2" Carriage Grade 5 (4)
28	9-1809	PIN, 1/8" x 1-1/4" Cotter (3)
29	9-1894	NUT, 1/2-13 Hex Center Lock Grade 5 (3)
30	4-4833	ROD, Lift Lever
31	1-9363	GRIP, Lift Lever Handle
32	1-4361	CAP, Lift Rod
33	1-4432	SPRING
34	4-3833	WELDMENT, Deck Lift Lever
35	1-4437	PIN, 1/4" x 2-1/4" Groove
36	4-4858	SWIVEL, Timing Rod
37	9-1947	PIN, 1/8 x 1/2" Hair (used on ZM Series 0 Only) (4)
38	9-2017	BOLT, 1/2-20 Shoulder (ZMT, ZM & MZM Series 1 & 2 Models) (4)
39	9-0559	NUT, 1/2-20 Hex Jam (ZMT & ZM Series 1 Models) (2)
40	9-1508	BOLT, 5/16-18 x 3/4" Carriage, Gr. 5 (ZMT & ZM Series 1 & 2 Models) (6)
41	9-0393	NUT, 1/2-20 Hex Nyloc (4)

# 52" DECK, IDLERS, ROLLERS



## 52" DECK, IDLERS, ROLLERS

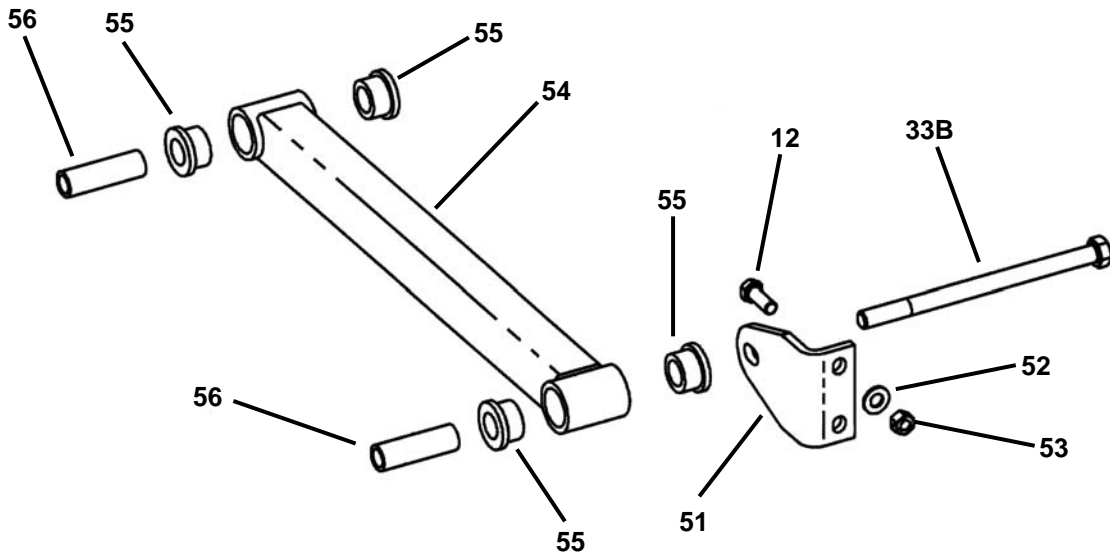


ITEM	PART NO.	DESCRIPTION	ITEM	PART NO.	DESCRIPTION
1	9-1899	SCREW, 3/8-24 x 1" Cap, Gr. 5	27	5-8342	GEARBOX, Right Angle (Peerless Series 1000-52)
2	9-1331	WASHER, 13/32" Flat (2)	28	9-1328	SCREW, 3/8-16 x 1-1/4" Gr. 5(2)
3	9-1802	SET-SCREW, 5/16" x 5/8" Socket Head (2)	29	1-0008	KEY, #6 Woodruff
4	4-2867	PULLEY, Cast 5-3/4" O.D.	30	9-0613	NUT, 3/8-16 Hex Flange
5	3-5668	SPACER	31	3-5667	SPRING, Extension
6	9-1299	NUT, 3/8-16 Hex Nyloc (17)	32	1-3847	RETAINER, 3/8" Bolt
7	9-1305	SCREW, 3/8-16 x 2" (3)	33A	9-1822	SCREW, 1/2-13 x 5" Cap (2)
8	9-1300	WASHER, 7/16" Flat (12)	33B	9-2072	SCREW, 1/2-13 x 7" Gr. 5 (2)
9	3-5789	PULLEY, 5-1/2 Idler (2)	34	3-6457	FORK, Gauge Wheel (2)
10	3-5858	SPACER, 3/4" Outside Diameter	35	3-6456	SPACER, Gauge Wheel (2)
11	9-1553	SCREW, 3/8-16 x 1-3/4" Hex Head Cap Grade 5 (3)	36	2-9264	WHEEL, Gauge (2)
12	9-1304	SCREW, 3/8-16 x 1" Hex Head Cap, Grade 5 (13)	37	9-1325	NUT, 1/2-13 Hex Nylock (2)
13	3-6449	STAND, Fixed Idler	38	4-2976	WELDMENT, Idler Pivot
14	4-4784	WELDMENT, Deck, 52"	39	2-3556	BUSHING, Caster (2)
15	9-1541	SCREW, 5/16-18 x 3/4" Hex Washer Self Tap (3)	40	4-2619	WELDMENT, Idler Arm
16	4-4839	CAP, Caster Shaft (3)	41	3-2031	WASHER, 1-1/32" Flat
17	2-1960	SPACER, 1" (6)	42	1-2709	RING, 1" External Retaining
18	4-4892	BEARING, Radial Flanged (6)	43	4-2776	BELT, 52" HB (122")
19	4-4643	WELDMENT, Gauge Wheel Bracket	44	7-6998	ZERK, 1/4-28 Self Tapping
20	2-3747	BUSHING, 1" Machine (3)	45	4-1821	WELDMENT, Gauge Wheel (2)
21	4-4646	WELDMENT, Gauge Wheel Caster (3)	46	4-4752	SPACER, 3/8" Inside Dia. (2)
22	9-1617	SCREW, 3/8-16 x 6" (3)	47	5-8494	DRIVESHAFT, Telescoping (Includes items 48-50)
23	7-9868	ROLLER, 3-3/4" x 4-13/16" Nylon (3)	48	1-0211	KEY, #9 Woodruff
24	7-9882	TUBE, Axle (3)	49	9-0132	SET SCREW, 3/8-16 x 3/8" Hex Recess (2)
25	9-1640	BOLT, 3/8-16 x 1" Carriage, Grade 5 (5)	50	1-2700	FITTING, 1/4-28 Lube
26	3-6455	GEARBOX, Shim	51	7-4155	L-BRK'T, Deck Stabilizer Bar (2)
			52	9-0122	WASHER, 3/8" Flat (4)
			53	9-1585	NUT, 3/8-16 Hex Center Lock (8)
			54	5-9184	STRUCTURE, 52" Stabilizer Bar (2)
			55	2-9258	BUSHING, Suspension (8)
			56	2-9263	SLEEVE, Suspension (4)



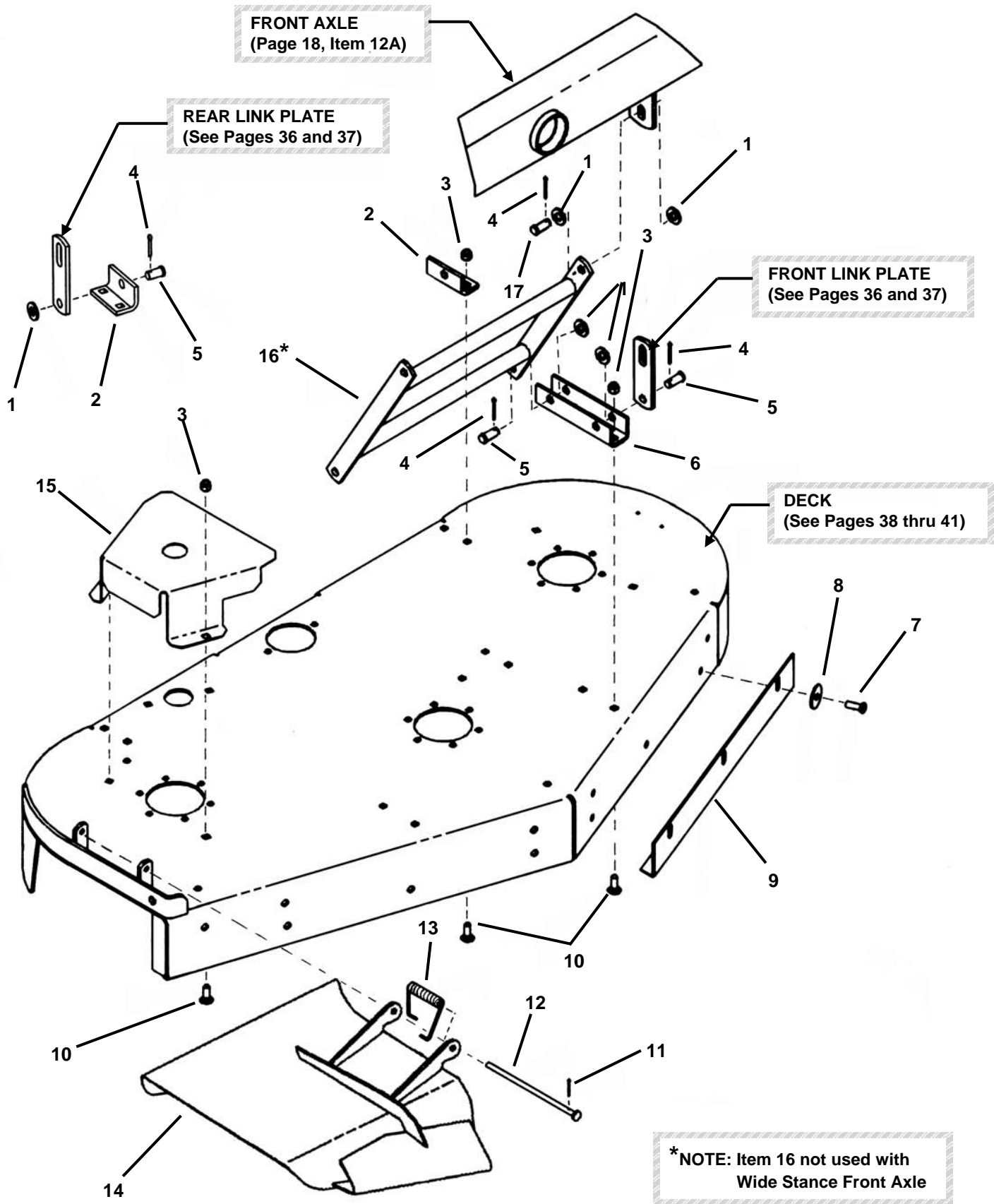


## 61" DECK, IDLERS, ROLLERS



ITEM	PART NO.	DESCRIPTION	ITEM	PART NO.	DESCRIPTION
1	9-1899	SCREW, 3/8-24 x 1" Cap, Gr. 5	27	5-8342	GEARBOX, Right Angle (Peerless Series 1000-52)
2	9-1331	WASHER, 13/32" Flat (2)	28	9-1328	SCREW, 3/8-16 x 1-1/4" Gr. 5(2)
3	9-1802	SET-SCREW, 5/16" x 5/8" Socket Head (2)	29	1-0008	KEY, #6 Woodruff
4	7-4466	PULLEY, 5.25 Cast	30	9-0613	NUT, 3/8-16 Hex Flange
5	3-5668	SPACER	31	3-5667	SPRING, Extension
6	9-1299	NUT, 3/8-16 Hex Nyloc (17)	32	1-3847	RETAINER, 3/8" Bolt
7	9-1305	SCREW, 3/8-16 x 2" (3)	33A	9-1822	SCREW, 1/2-13 x 5" Cap (2)
8	9-1300	WASHER, 7/16" Flat (12)	33B	9-2072	SCREW, 1/2-13 x 7", Gr. 5 (2)
9	3-5789	PULLEY, 5-1/2 Idler (2)	34	3-6457	FORK, Gauge Wheel (2)
10	3-5858	SPACER, 3/4" Outside Diameter	35	3-6456	SPACER, Gauge Wheel (2)
11	9-1553	SCREW, 3/8-16 x 1-3/4" Hex Head Cap Gr. 5 (3)	36	2-9264	WHEEL, Gauge (2)
12	9-1304	SCREW, 3/8-16 x 1" Hex Head Cap (13)	37	9-1325	NUT, 1/2-13 Hex Nylock (2)
13	3-6449	STAND, Fixed Idler	38	4-1295	WELDMENT, Idler Pivot
14	4-3847	WELDMENT, Deck, 61"	39	2-3556	BUSHING, Caster (2)
15	9-1541	SCREW, 5/16-18 x 3/4" Hex Self Tapping (3)	40	4-2619	WELDMENT, Idler Arm
16	4-4839	CAP, Caster Shaft (3)	41	3-2031	WASHER, 1-1/32" Flat
17	2-1960	SPACER, 1" (6)	42	1-2709	RING, 1" External Retaining
18	4-4892	BEARING, Radial (6)	43	3-5542	BELT, 61" HB (134-1/2")
19	4-4643	WELDMENT, Gauge Wheel Bracket	44	7-6998	ZERK, 1/4-28 Self Tapping
20	2-3747	BUSHING, 1" Machine (3)	45	4-1821	WELDMENT, Gauge Wheel (2)
21	4-4646	WELDMENT, Gauge Wheel Caster (3)	46	4-4752	SPACER, 3/8" Inside Diameter
22	9-1617	SCREW, 3/8-16 x 6" (3)	47	5-8494	DRIVESHAFT, Telescoping (Includes items 48-50)
23	7-9868	ROLLER, 3-3/4" x 4-13/16" Nylon (3)	48	1-0211	KEY, #9 Woodruff
24	7-9882	TUBE, Axle (3)	49	9-0132	SET SCREW, 3/8-16 x 3/8" Hex Recess (2)
25	9-1640	BOLT, 3/8-16 x 1" Carriage, Grade 5 (6)	50	1-2700	FITTING, 1/4-28 Lube
26	3-6455	GEARBOX, Shim	51	7-4155	BRACKET, Deck Stabilizer
			52	9-0122	WASHER, 3/8" Flat (4)
			53	9-1585	NUT, 3/8-16 Hex Center Lock (8)
			54	5-9166	STRUCTURE, 61" Stabilizer Bar (2)
			55	2-9258	BUSHING, Suspension (8)
			56	2-9263	SLEEVE, Suspension (4)

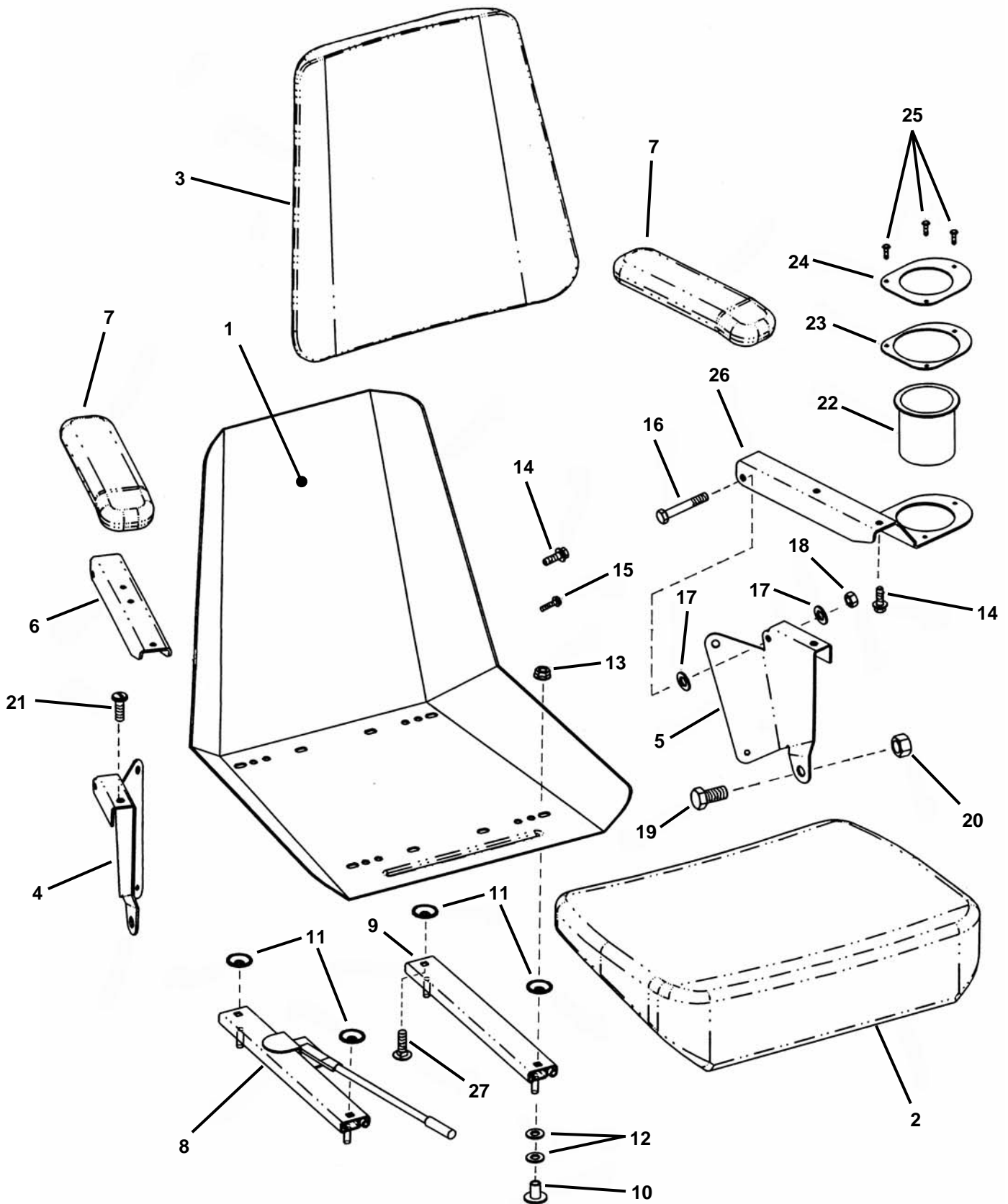
# CHUTE, DECK COVERS & BAFFLE



## CHUTE, DECK COVERS & BAFFLE

ITEM	PART NO.	DESCRIPTION
1	9-1587	WASHER, 17/32 x 1-1/16 Flat (10)
2	4-3824	BRACKET, Rear Lift (2)
3	9-1299	NUT, 3/8-16 Hex (12)
4	9-1516	PIN, 5/32 x 1" Cotter (8)
5	9-1948	PIN, 1/2 x 23/32 Clevis (6)
6	4-4670	BRACKET, Front Lift (2)
7	9-1304	SCREW, 3/8-16 x 1" Hex Cap (6)
8	9-1331	WASHER, 13/32 x 1-1/2" Flat (6)
9	4-2914	BAFFLE, 52 Front (2)
--	3-6445	BAFFLE, 61 Front (2)
10	9-1640	BOLT, 3/8-16 x 1" Carriage (12)
11	9-1313	PIN, 3/32 x 1" Cotter
12	2-9277	PIN, Chute Hinge
13	2-7950	SPRING, Chute
14	4-2903	CHUTE, 52" Deck
--	4-4806	CHUTE, 52" Deck (Euro)
--	4-2656	CHUTE, 61" Deck
--	5-8291	CHUTE, 61" Deck (Euro)
15	4-4756	COVER, Spindle (2)
16	4-5339	WELDMENT, Pull Bar
17	1-2802	PIN, 1/2 x 1-1/8" Clevis (2)

# SEAT ASSEMBLY (Except for MZM2200K & MZM2300KH)



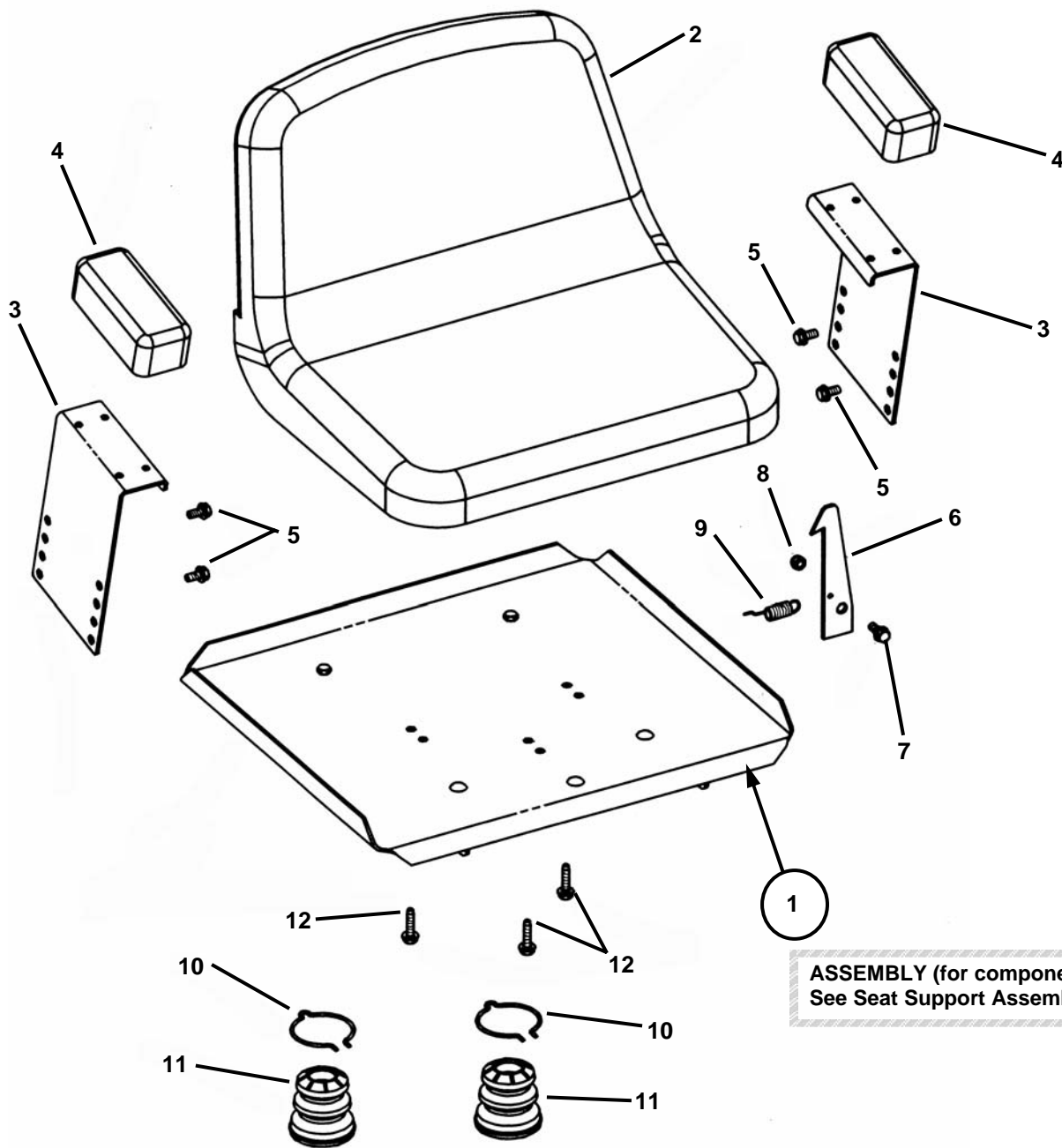
## SEAT ASSEMBLY (Except for MZM2200K & MZM2300KH)

ITEM	PART NO.	DESCRIPTION
**	5-4117	SEAT ASSEMBLY (Includes indented items below)
1	**	PAN, Complete
2	3-6476	CUSHION, Seat
3	3-6477	CUSHION, Back
4	4-4724	BRACKET, Armrest (Right Hand)
5	3-5568	BRACKET, Armrest (Left Hand)
6	3-6478	CHANNEL, Armrest
7	3-6479	ARM PAD, Grey (2)
8	3-6484	ADJUSTER (with lock)
9	3-6485	ADJUSTER (without lock)
10	**	STUD GUARD (4)
11	3-6486	SPACER, Bell (4)
12	9-1296	WASHER, 5/16" Flat (8)
13	9-1601	NUT, 5/16-18 Hex Flange Lock, Grade 5 (6)
14	**	SCREW, 1/4-20 x 3/4" Phillips (9)
15	**	SCREW, #8-32 x 1/2" Self Tapping (2)
16	2-7174	SCREW, 5/16-18 x 2" Hex Head Cap, Grade 5 (2)
17	3-5797	WASHER, 13/32" I.D. x 3/4 O.D. Poly (4)
18	9-1067	NUT, 5/16-18 Hex Head Center Lock, Grade B (2)
19	9-0646	SCREW, 1/2-13 x 1" Hex Head Cap, Grade 5 (2)
20	9-0975	NUT, 1/2-13 Hex Head Center Lock, Grade 5 (2)
21	9-0683	SCREW, 5/16-18 x 1" Slotted Pan Head
22	4-2968	HOLDER, Beverage
23	4-4902	SPACER, Cup Holder
24	4-4903	COVER, Cup Holder
25	9-1919	RIVET, 3/16" Pan Head (3)
26	4-4904	BRACKET, Armrest Cup Holder
27	9-1303	BOLT, 5/16-18 x 1" Short Neck Carriage, Grade 5 (6)

**\*\*NOTE: Not a Part Sales item.**

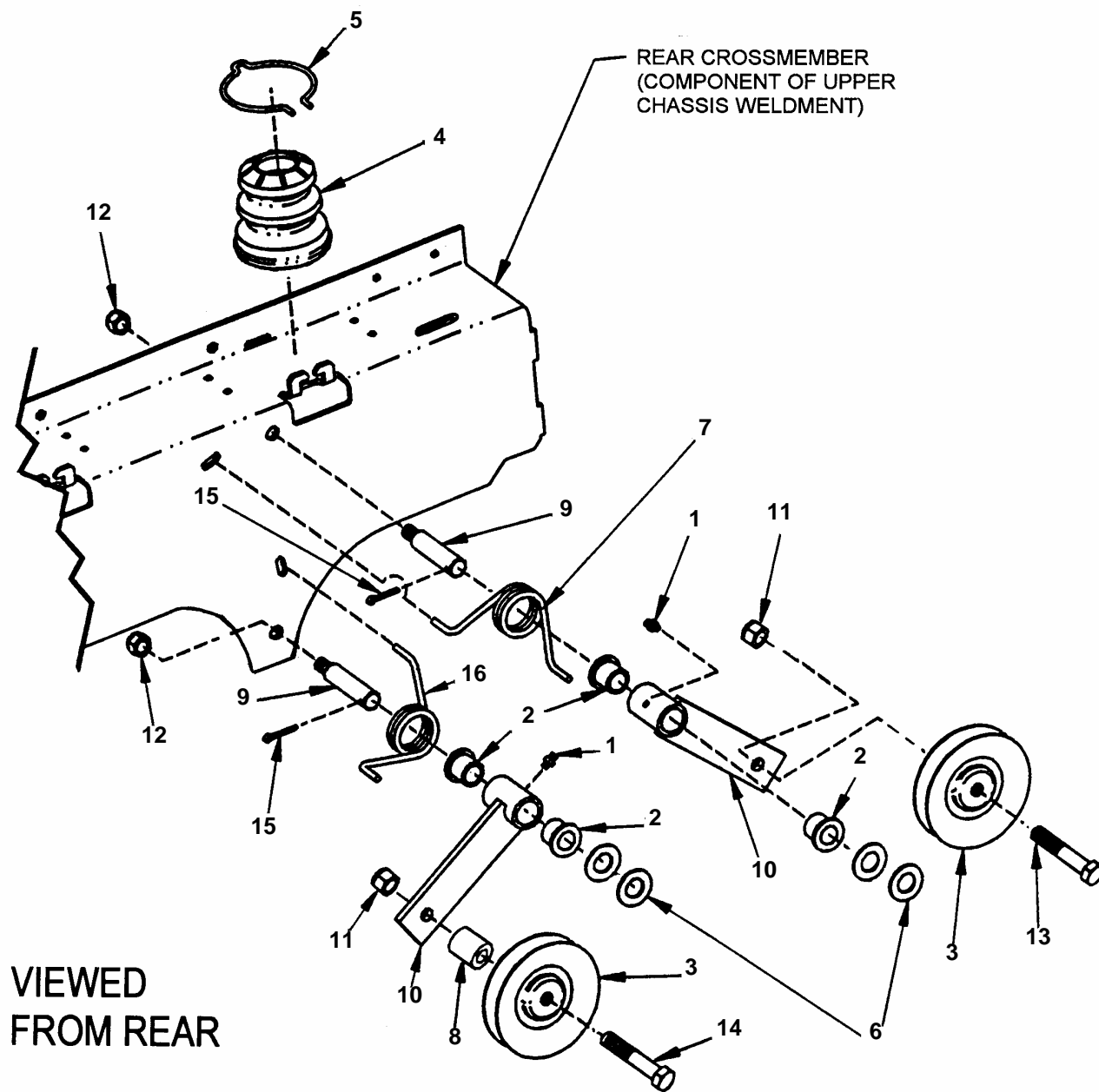
Refer to pages 26 & 27 for Seat Support Components.

# SEAT ASSEMBLY (MZM Models)



ITEM	PART NO.	DESCRIPTION
1	4-7036	ASSEMBLY, Seat Support
2	4-4897	SEAT, Milco High Back
3	7-2401	BRACKET, Armrest (Painted) (2)
4	4-4855	ARM REST (2)
5	9-1523	SCREW, 5/16-18 x 5/8" Hex Washer Self-Tap (4)
6	7-2106	LATCH, Seat Support
7	9-1800	BOLT, 5/16-18 Shoulder w/ Nylon Patch
8	9-1298	NUT, 5/16-18 Nyloc
9	2-6292	SPRING, Extension
10	1-9348	CLIP, Seat Cushion (2)
11	1-9109	COVER, Spring (Rubber) (2)
12	9-1151	SCREW, 5/16-18 x 1-1/4" Hex Washer Self-Tap (3)
13	9-1296	WASHER, 11/32 I.D. x 11/16 O.D. (2)

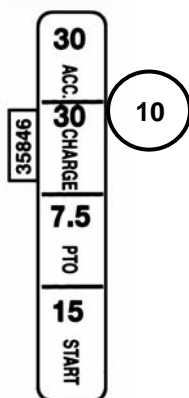
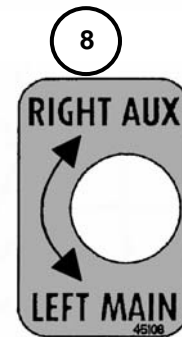
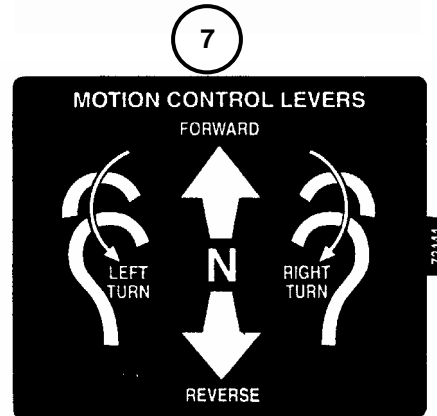
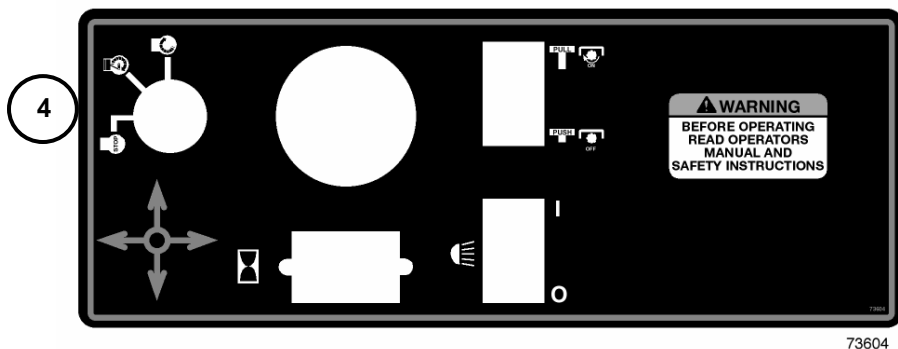
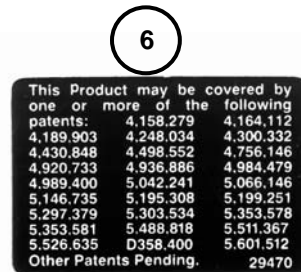
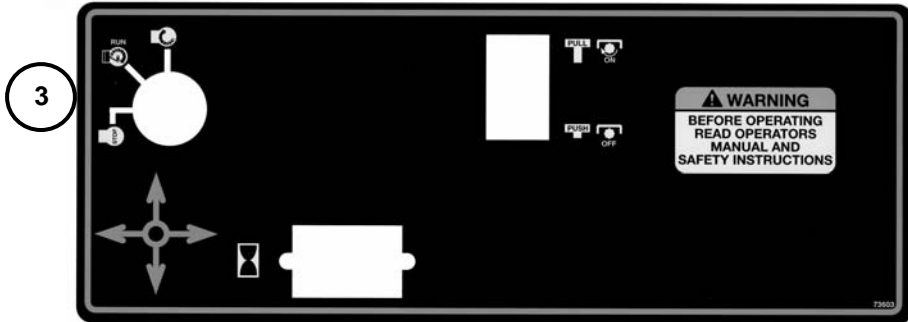
# TRACTION DRIVE IDLER ASSEMBLY



VIEWED  
FROM REAR

1	1-3324	FITTING, 3/16 Lube (2)
2	1-4409	BUSHING, 9/16 I.D., 3/4" O.D. (4)
3	1-8573	PULLEY, Idler 3.48 O.D. (2)
4	1-9109	COVER, Spring (Rubber) (2)
5	1-9348	CLIP, Seat Cushion (2)
6	9-1804	WASHER, 9/16 Flat (Type B) (4)
7	4-4765	SPRING, Torsion
8	3-5812	SPACER, 3/8 I.D. 5/8 O.D. x 5/8" Long
9	3-5816	PIN, 3/8-24 (2)
10	4-2622	IDLER ARM (Weldment) (2)
11	9-1299	NUT, 3/8-16 Hex Nyloc (2)
12	9-1518	NUT, 3/8-24 Hex Nyloc (2)
13	9-1553	SCREW, 3/8-16 x 1-3/4" Hex Head Cap, Grade 5
14	9-1560	SCREW, 3/8-16 x 2-1/4" Hex Head Cap, Grade 5
15	9-1598	COTTER PIN, 1/8 x 3/4" (2)
16	4-4760	SPRING, Torsion

# DECALS

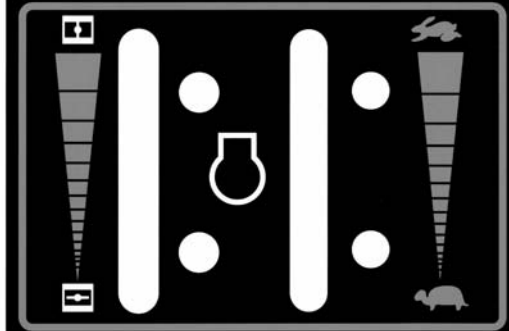


ITEM	PART NO.	DESCRIPTION
1	3-5847	LOGO, Side 24.5" Long
2	3-5848	LOGO, Front 16.33" Long
3	7-3603	DECAL, Control Panel (MZM Models)
4	7-3604	DECAL, Control Panel
--	4-4757	DECAL, Control Panel (not shown)
--	4-6425	DECAL, Control Panel (not shown)
5	4-5122	DECAL, Pro Cruiser
6	2-9470	DECAL, Patent Numbers
7	7-2444	DECAL, Twin Stick Control
8	4-5108	DECAL, Tank Selector
9	2-4156	DECAL, Caution
10	3-5846	DECAL, Fuse



**WARNING**  
**TO AVOID SERIOUS INJURY OR DEATH**

- READ OPERATOR'S MANUAL AND OTHER INSTRUCTIONAL MATERIALS PROVIDED.
- KNOW LOCATION AND FUNCTION OF ALL CONTROLS.
- NEVER START BLADES UNLESS PROPERLY SEATED ON MACHINE.
- KEEP SAFETY DEVICES (GUARDS, SHIELDS AND SWITCHES) IN PLACE.
- REMOVE OBJECTS THAT COULD BE THROWN BY THE BLADES.
- DO NOT MOVE MOTION CONTROL LEVERS RAPIDLY. AVOID SUDDEN TURNS.
- DO NOT OPERATE BLADES IN REVERSE.
- LOOK DOWN AND BEHIND BEFORE AND DURING REVERSE MOVEMENT.
- DO NOT MOW IN ANY AREA WHERE STABILITY AND TRACTION IS IN DOUBT. DO NOT MOW ON SLOPES STEEPER THAN 15°.
- REDUCE SPEED ON SLOPES. GO FORWARD DOWN SLOPES. GO REVERSE UP SLOPES. NEVER TRAVEL ACROSS SLOPES.
- AVOID UPHILL STARTS. IF MACHINE STOPS GOING UPHILL, STOP BLADES AND BACK DOWN SLOWLY.
- DO NOT MOW WHEN CHILDREN OR OTHERS ARE AROUND. NEVER CARRY CHILDREN DURING OPERATION EVEN WITH BLADES OFF.
- BE SURE ALL MOVING PARTS ARE STATIONARY BEFORE PLACING HANDS AND FEET NEAR BLADES OR SERVICING MACHINE.



**TO START:**  
 MAKE SURE OPERATOR IS SEATED PROPERLY.  
 PLACE MOTION CONTROL LEVERS IN CENTER/NEUTRAL POSITION.  
 PULL UP ON BRAKE LEVER TO SET BRAKE.  
 PUSH BLADE SWITCH DOWN TO MAKE SURE BLADE IS DISENGAGED.  
 SET CHOKE AND THROTTLE.  
 TURN KEY TO START ENGINE.

**TO OPERATE:**  
 ADJUST CHOKE AND THROTTLE.  
 PULL BLADE SWITCH UP TO ENGAGE BLADE.  
 PUSH PARKING BRAKE LEVER DOWN TO RELEASE BRAKE.  
 MOVE MOTION CONTROL LEVERS IN THE DIRECTION OF TRAVEL REQUIRED.  
 INCREASE / DECREASE SPEED WITH AMOUNT OF MOTION CONTROL LEVERS TRAVEL FROM CENTER / NEUTRAL POSITION.

**TO STOP:**  
 MOVE MOTION CONTROL LEVERS TO CENTER / NEUTRAL POSITION.  
 PUSH BLADE SWITCH DOWN TO DISENGAGE BLADE.  
 PULL UP ON BRAKE LEVER TO SET BRAKE.  
 TURN KEY TO OFF POSITION AND REMOVE.  
 MAKE SURE ALL MOVEMENT HAS STOPPED BEFORE DISMOUNTING.

73601

**DANGER**

**KEEP HANDS AND FEET AWAY.  
 DO NOT OPERATE MOWER  
 UNLESS GUARDS OR THE  
 ENTIRE GRASS CATCHER IS  
 IN ITS PROPER PLACE.**

ASSEMBLE CHUTE DEFLECTOR TO THIS UNIT BEFORE OPERATING.

12

**SNAPPER**

13

**SNAPPER**

19

11

**DANGER**

**KEEP HANDS and FEET AWAY**

19910

14

16

**CAUTION**

DO NOT OPERATE MOWER WITHOUT CHUTE DEFLECTOR OR COMPLETE GRASS CATCHER ASSEMBLY IN POSITION. DO NOT REMOVE GRASS CATCHER OR RAISE CHUTE DEFLECTOR UNTIL ENGINE AND BLADE(S) HAVE STOPPED.

22522

15

17



18

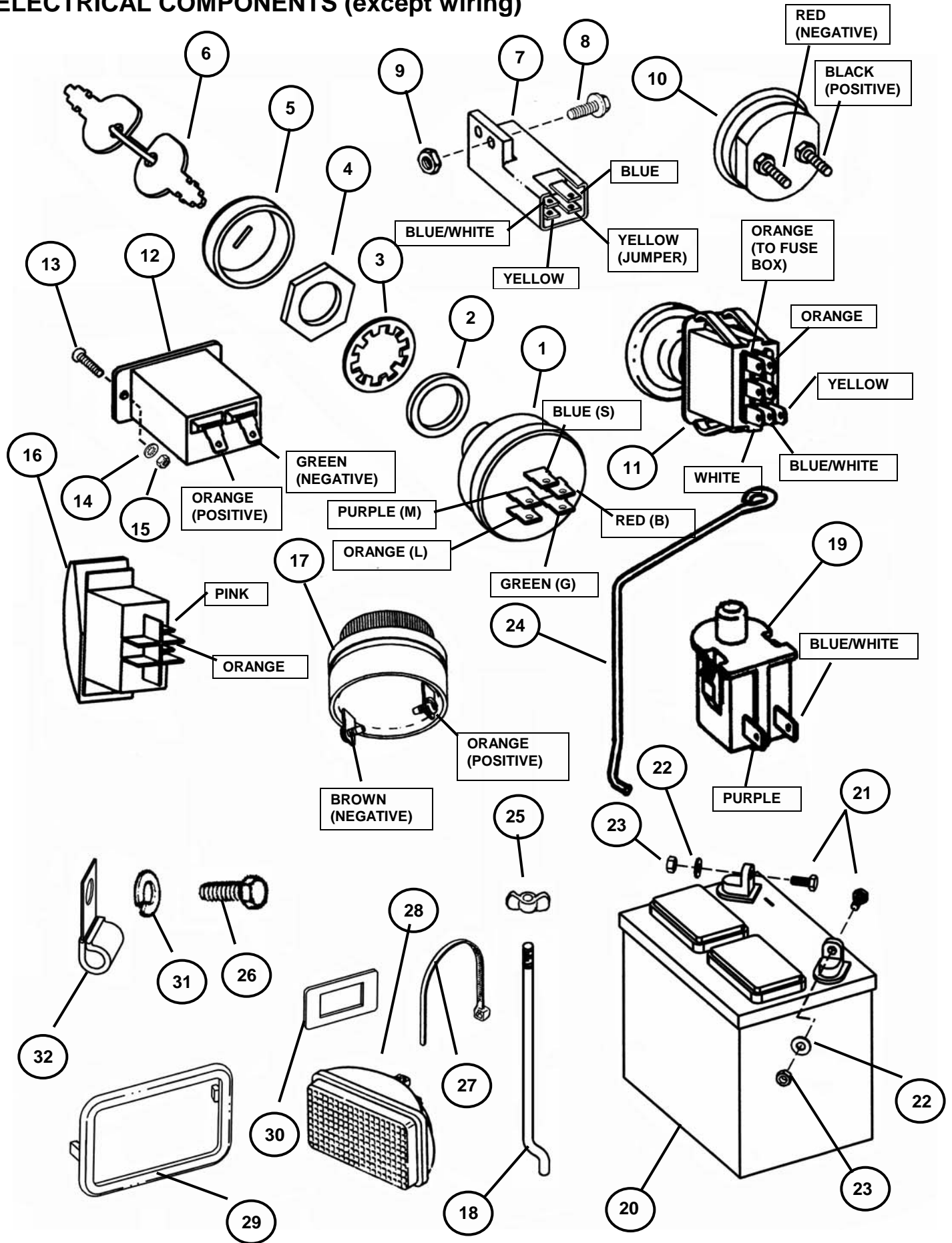
**PUSH FORWARD TO RELEASE**

**PULL UP TO ENGAGE**

**PARKING BRAKE**

ITEM	PART NO.	DESCRIPTION
11	7-3601	DECAL, Throttle/Choke
--	7-2446	DECAL, Throttle/Choke Twin Stick (not shown)
12	7-3647	DECAL, Danger Guard/Catcher
13	4-4640	DECAL, Nameplate Snapper
14	1-3010	DECAL, Warning (Cut-Finger)
15	2-2522	DECAL, Warning
16	4-5107	DECAL, Park Brake
17	4-4793	DECAL, Deck Size (52" only)
18	4-4794	DECAL, Deck Size (61" only)
19	7-1916	DECAL, Snapper (3D)

# ELECTRICAL COMPONENTS (except wiring)

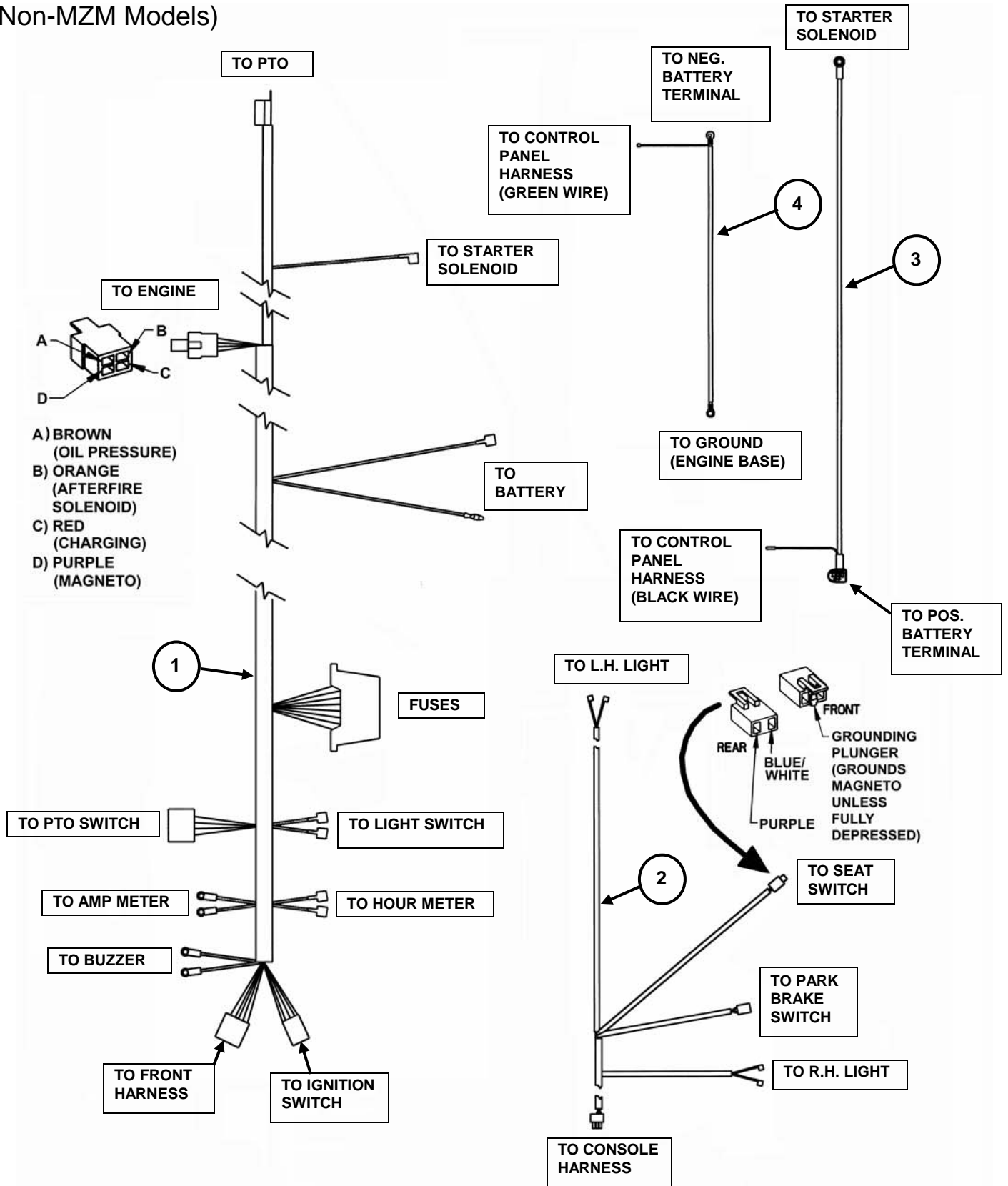


## ELECTRICAL COMPONENTS (except wiring)

ITEM	PART NO.	DESCRIPTION
1	2-6343	SWITCH, Ignition- After Fire Solenoid
2	1-6132	SPACER, 5/8"
3	9-1546	WASHER, 5/8" Internal Tooth Lock
4	1-2685	NUT, 5/8-32 Hex
5	2-3506	BEZEL
6	1-1138	KEY, and Ring
7	2-3355	SWITCH, DPDT
8	9-1240	SCREW, #10-32 x 5/8" Hex Machine, Grade. 5 (2)
9	9-0376	NUT, #10-32 Hex Nyloc (2)
10	1-9547	ASSEMBLY, Ammeter and Clamp
11	3-5658	SWITCH, PTO
12	1-5277	HOUR METER, D.C.
13	9-0927	SCREW, #6-32 x 1/2" Round Head Machine (2)
14	9-0926	WASHER, #6 Internal Tooth Lock (2)
15	9-0925	NUT, #6-32 Hex (2)
16	3-5659	SWITCH, Lights
17	7-9208	BUZZER, Pulsing
18	3-2296	BRACKET, Battery Hold Down (1/4-20 Thread)
19	2-3354	SWITCH, Seat NC (see page 28, item 2)
20	3-5610	BATTERY, 11 Plate- 375CCA
21	9-0072	SCREW, 1/4-20 x 5/8", Hex Head Cap Gr. 5 (2)
22	9-1294	WASHER, 9/32 I.D. x 5/8 O.D. Flat (2)
23	9-0372	NUT, 1/4-20 Hex Center Lock Grade B or 5 (2)
24	2-2366	BRACKET, Battery
25	9-1568	WING NUT, 1/4-20
26	9-1304	SCREW, 3/8-16 Hex Head Cap, Grade 5
27	1-2080	CABLE TIE, 7" (15)
28	1-8829	HEAD LIGHT (2)
29	3-5550	BEZEL, Headlight (2)
30	3-5661	SPACER, PTO Switch
31	9-1320	WASHER, 3/8" Split Lock
32	3-5638	CLIP, 3/8" Open Cushioned (2)
33	9-1523	SCREW, 5/16-18 x 5/8 Hex Washer Self-Tap (Swage) (2)
34	9-0585	NUT, 5/16-18 Hex Flange Lock, Grade 5

# WIRING HARNESS

(Non-MZM Models)

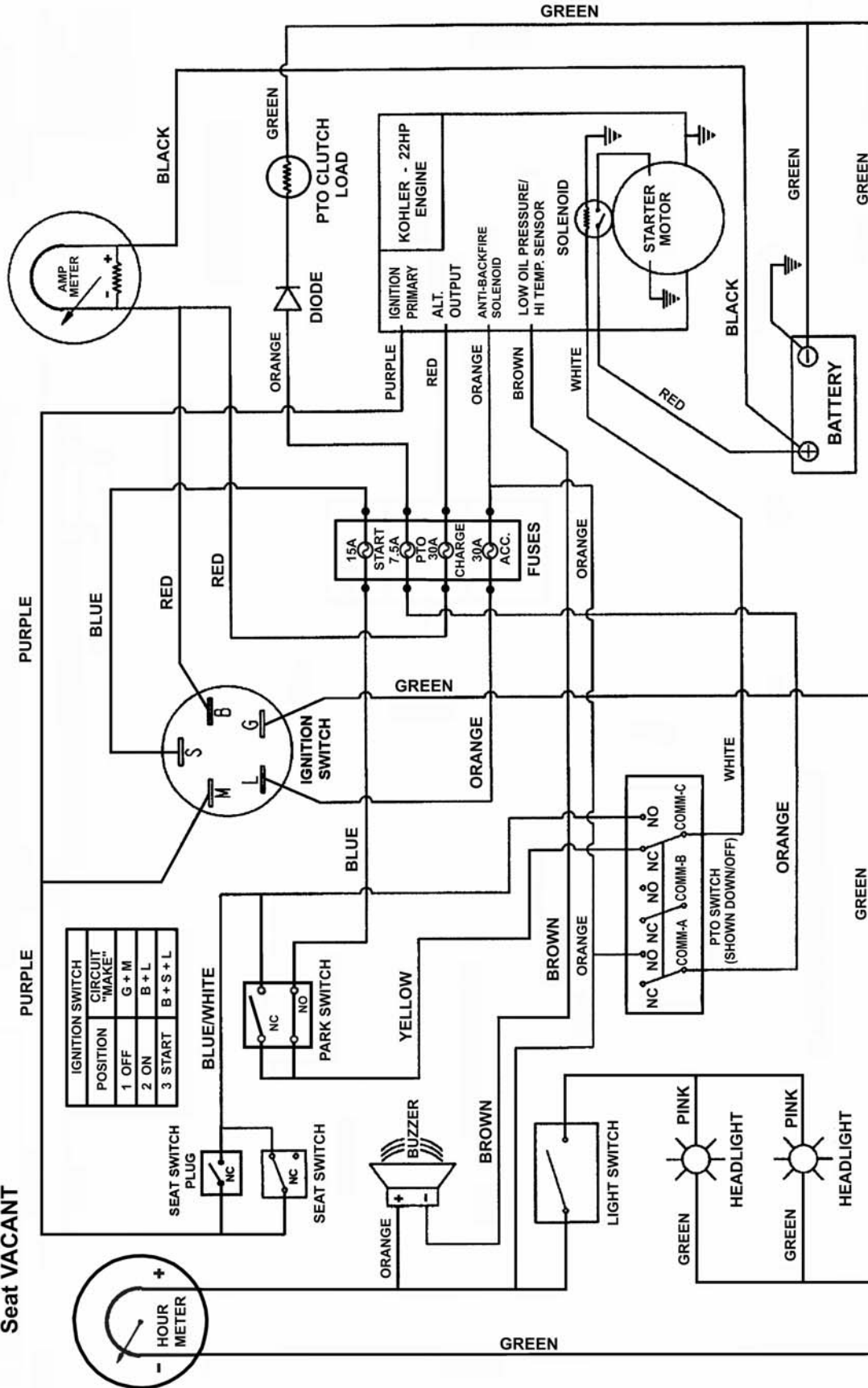


ITEM	PART NO.	DESCRIPTION
1	4-4912	HARNESS, Control Panel
2	4-4913	HARNESS, Front
3	3-5607	CABLE, Battery- Positive (6 Ga., 47")
4	3-5609	CABLE, Battery- Negative (6 Ga., 38")

# WIRING SCHEMATIC (Non-MZM Models)

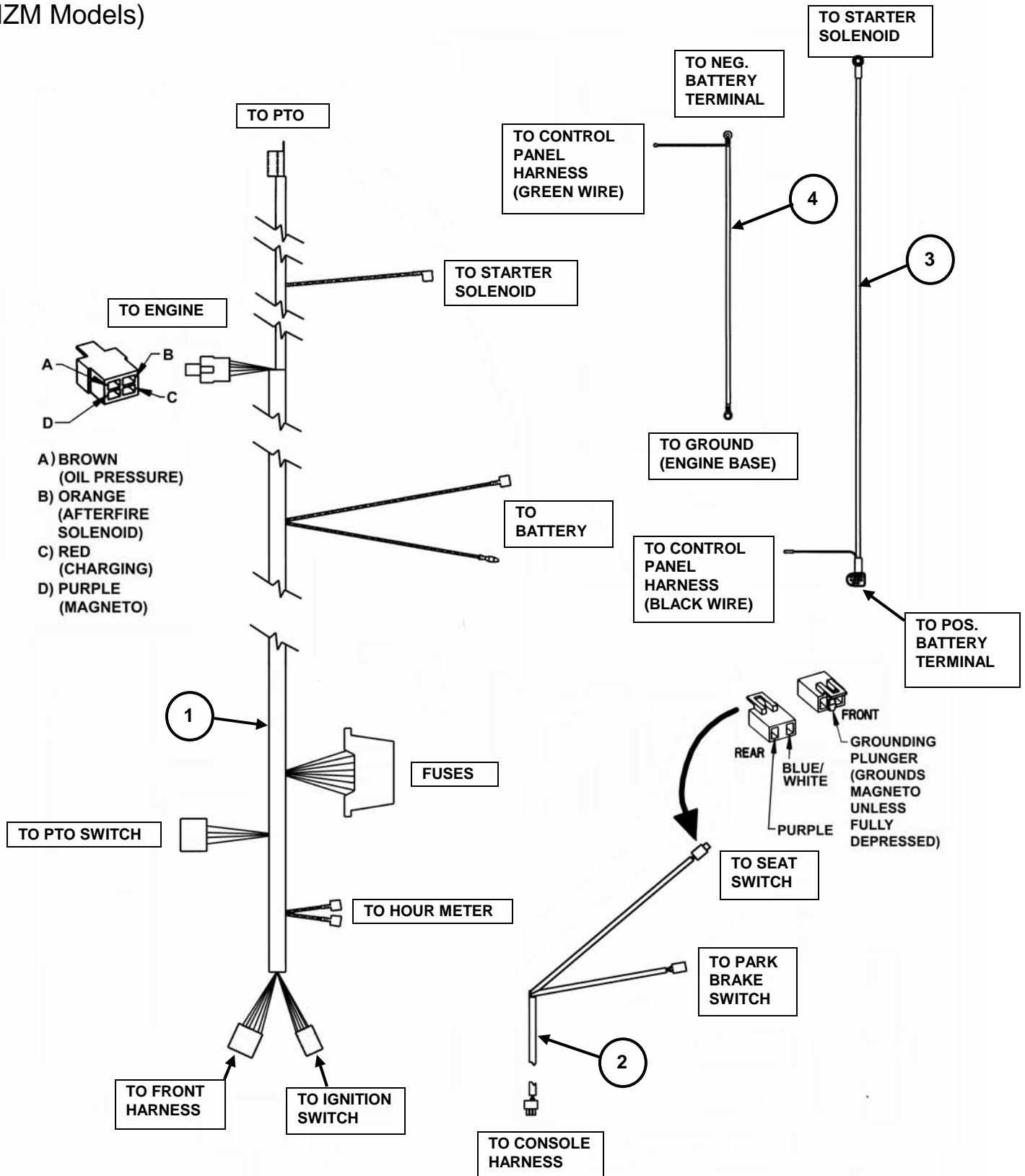
**NOTE: Switches shown with, Park Lever in Park PTO in OFF position Seat VACANT**

**NOTE: Seat Switch Plug makes continuity if un-plugged.**



**SCHEMATIC - WIRING HARNESS P.N. 4-9912 / 4-9913**

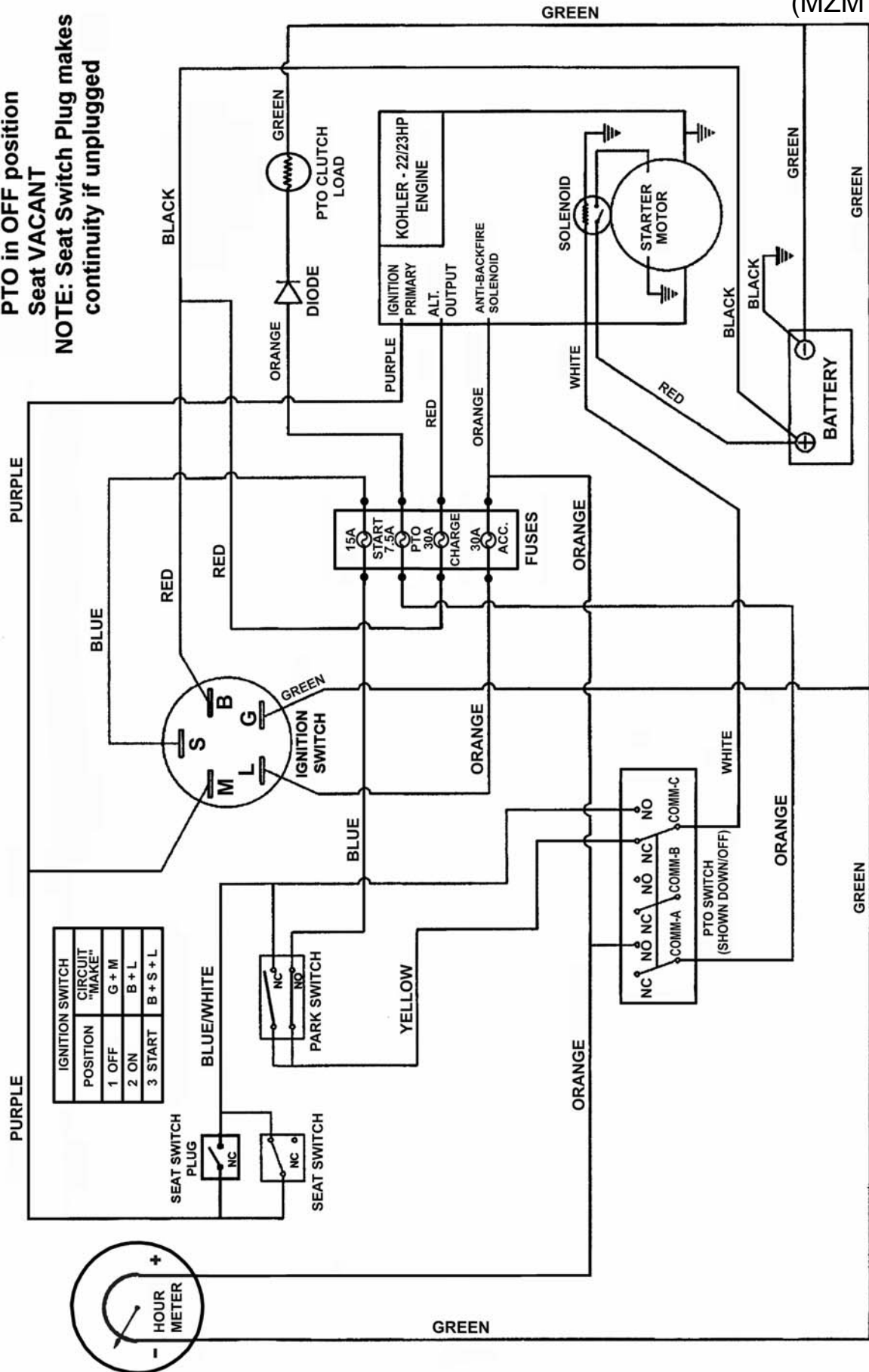
# WIRING HARNESS (MZM Models)



ITEM	PART NO.	DESCRIPTION
1	4-6423	HARNESS, Control Panel
2	4-6422	HARNESS, Front
3	3-5607	CABLE, Battery- Positive (6 Ga., 47")
4	3-5609	CABLE, Battery- Negative (6 Ga., 38")

# WIRING SCHEMATIC (MZM Models)

**NOTE: Switches shown with,  
Park Lever in PARK  
PTO in OFF position  
Seat VACANT**  
**NOTE: Seat Switch Plug makes  
continuity if unplugged**



**SCHEMATIC - WIRING HARNESS P.N. 4-6423 / 46422**

*Parts Manual for*

**SNAPPER®**

**MID MOUNT Z-RIDER™  
ZERO TURNING HYDRO DRIVE  
SERIES 0, 1, 2**

IT IS THE POLICY OF SNAPPER TO IMPROVE ITS PRODUCTS WHENEVER IT IS POSSIBLE AND PRACTICAL TO DO SO. WE RESERVE THE RIGHT TO MAKE CHANGES OR ADD IMPROVEMENTS AT ANY TIME WITHOUT INCURRING ANY OBLIGATION TO MAKE SUCH CHANGES ON PRODUCTS MANUFACTURED PREVIOUSLY.

**SNAPPER®** McDonough, GA., 30253 U.S.A.

COPYRIGHT © 2002  
SNAPPER INC.  
ALL RIGHTS RESERVED