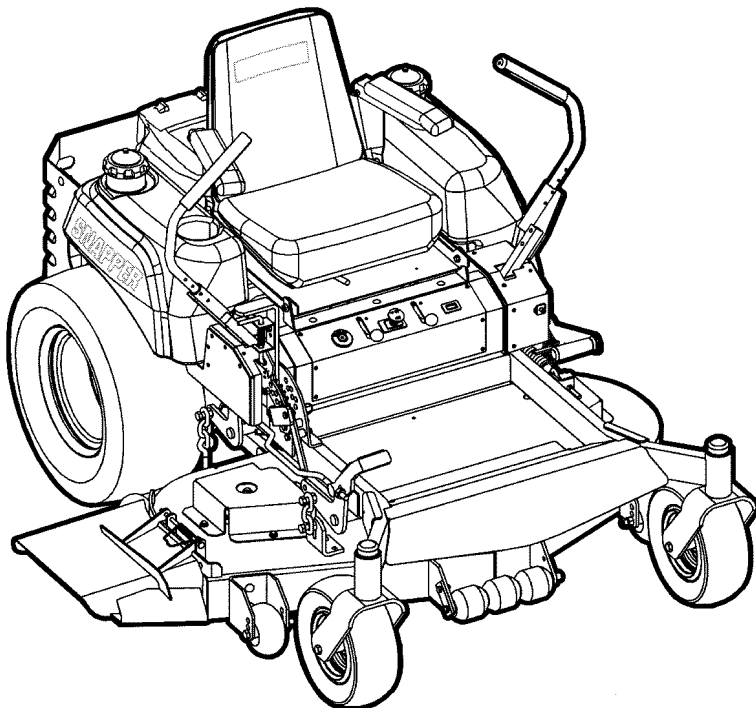


Parts Manual for
SNAPPER[®]

**MID MOUNT Z-RIDER
ZERO TURNING HYDRO DRIVE
NZM SERIES 0 & 1**



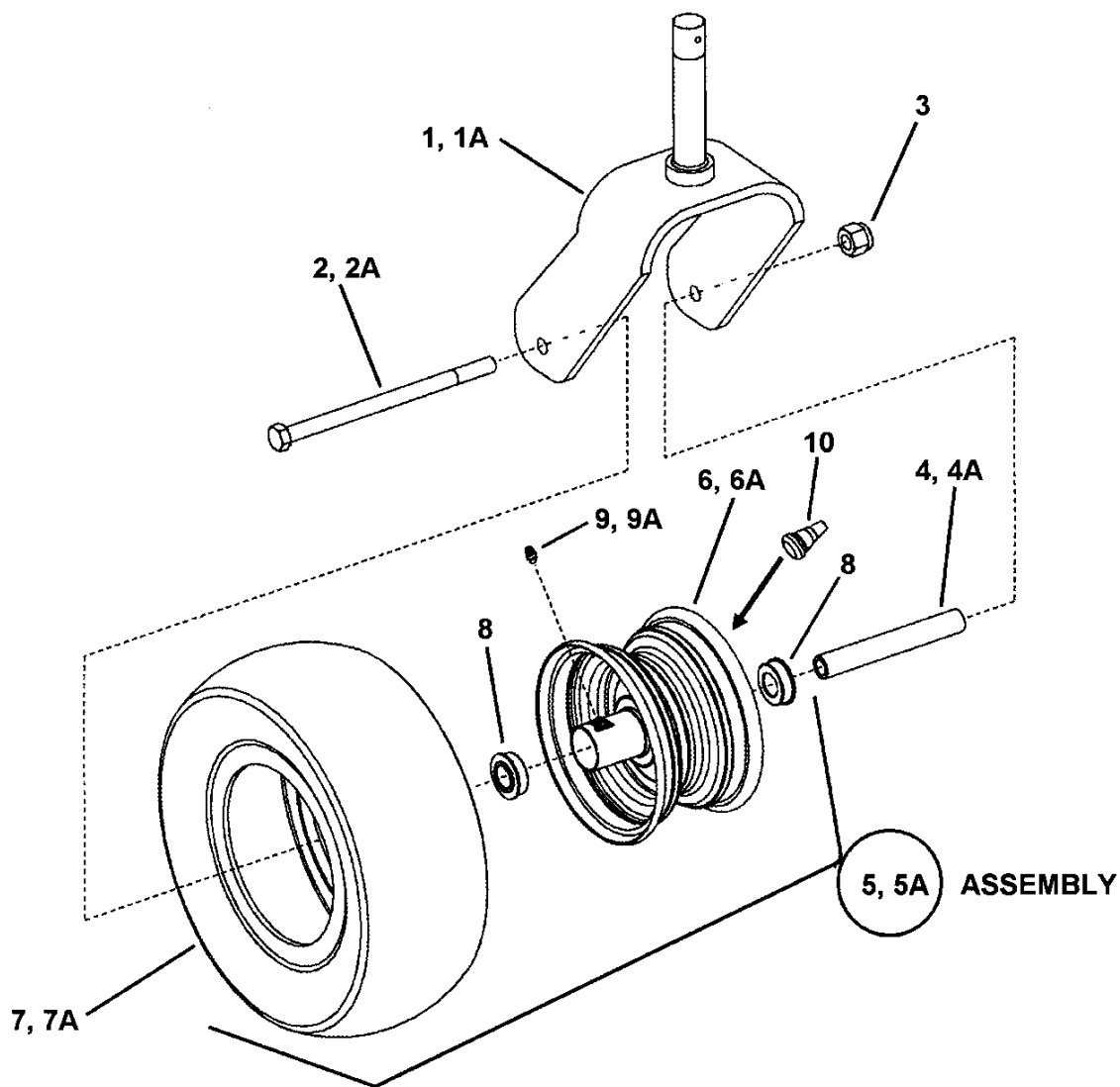
MODEL

**NZM19480KWV
NZM19481KWV
NZM21520KWV
NZM21521KWV
NZM25611KWV
NZM27611KH**

SNAPPER McDonough, GA, 30253 U.S.A.

PAGE	GROUP
4	CASTER WHEEL ASSEMBLY
6	DRIVE TIRE & WHEEL ASSEMBLY
8	FRONT FRAME ASSEMBLY PT.1
12	FRONT FRAME ASSEMBLY PT.2
14	REAR FRAME & TANK BRACKETS
16	FUEL TANK ASSEMBLY
18	MUFFLER GUARD ASSEMBLY
20	TWIN STICK CONTROL ASSEMBLY PT.1
24	TWIN STICK CONTROL ASSEMBLY PT.2
28	PARKING BRAKE ASSEMBLY
30	HYDRO PUMP ASSEMBLIES
32	HYDRO PUMP LINKAGE
34	HOSE ASSEMBLY (Series 0) PT.1
36	HOSE ASSEMBLY (Series 0) PT.2
38	HOSE ASSEMBLY (48" & 52" DECK, SERIES 1) PT.1
40	HOSE ASSEMBLY (48" & 52" DECK, SERIES 1) PT.2
42	HOSE ASSEMBLY (61" DECK, SERIES 1) PT.1
44	HOSE ASSEMBLY (61" DECK, SERIES 1) PT.2
46	HYDRO RESERVOIR ASSEMBLY
48	HYDRO IDLER ASSEMBLY
50	SEAT ASSEMBLY (SERIES 0)
52	SEAT ASSEMBLY (SERIES 1)
54	ENGINE SUB-ASSEMBLY
56	CONTROL PANEL ASSEMBLY
58	48" CUTTING DECK ASSEMBLY PT.1
60	48" CUTTING DECK ASSEMBLY PT.2
62	52" CUTTING DECK ASSEMBLY PT.1
64	52" CUTTING DECK ASSEMBLY PT.2
66	61" CUTTING DECK ASSEMBLY PT.1
68	61" CUTTING DECK ASSEMBLY PT.2
70	IDLER ASSEMBLIES (58885)
72	DECK SPINDLE ASSEMBLIES
74	DECALS
76	DECALS (continued)
78	ELECTRICAL COMPONENTS (except wiring) PT.1
80	ELECTRICAL COMPONENTS (except wiring) PT.2
82	WIRING HARNESS (Kawasaki engines)
84	WIRING HARNESS (Kohler Engines)
86	WIRING SCHEMATIC (Kawasaki engines)
88	WIRING SCHEMATIC (Kohler Engines)

CASTER WHEEL ASSEMBLY

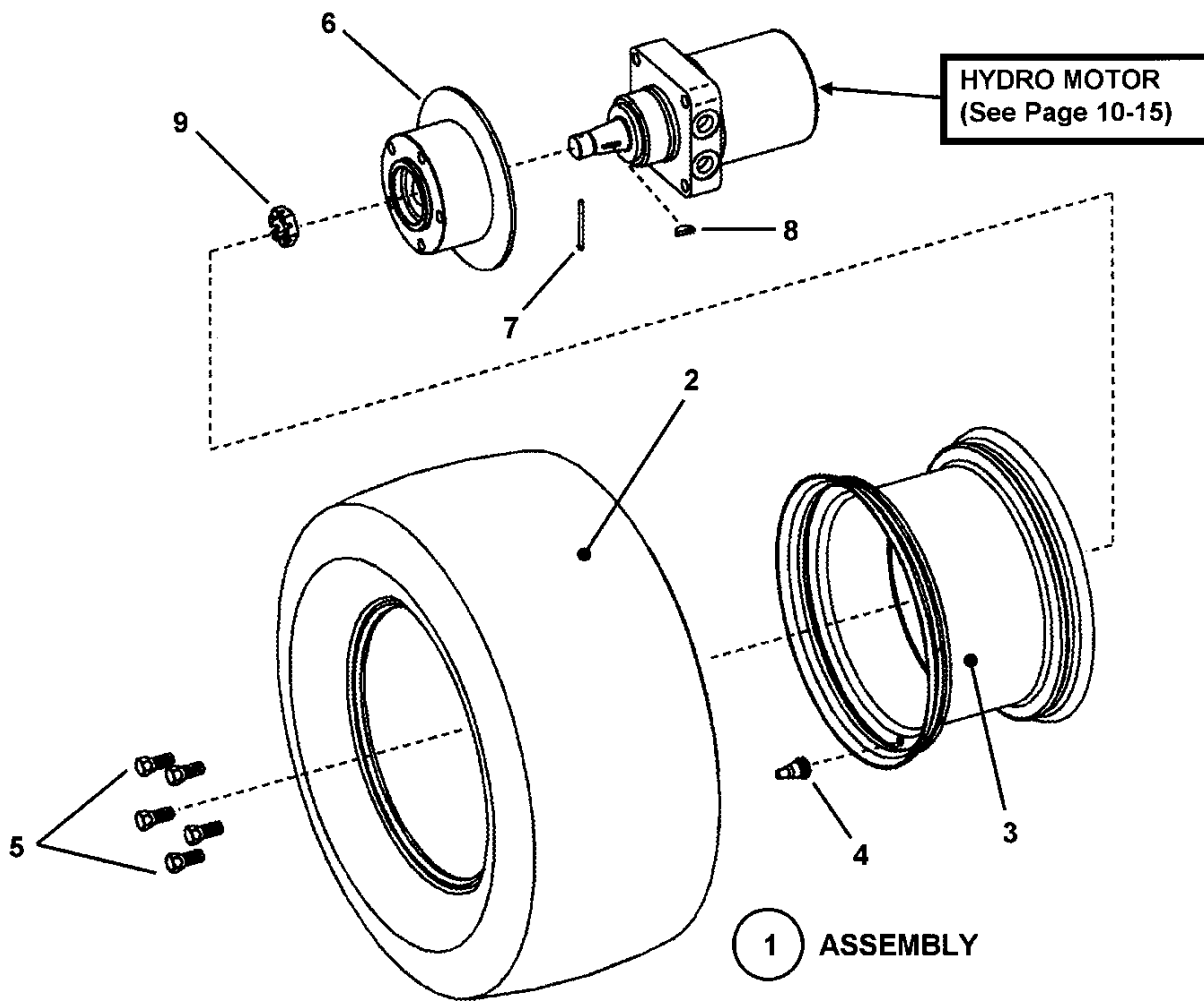


CASTER WHEEL ASSEMBLY

Item	Part No	Qty	Description	Note
1	7058744	2	WELDMENT, Caster Yoke	
1A	7075398	2	WELDMENT, Caster Yoke, 7-1/4" Wide	<i>used on 61" Deck Model only</i>
2	7091773	1	SCREW, 1/2-13 x 7" Hex Head Cap, GR5	
2A	7092094	2	SCREW, 1/2-13 x 9-1/2" Hex Head Cap, GR5	<i>used on 61" Deck Model only</i>
3	7091325	1	NUT, 1/2-13 Nyloc	
4	7035476	1	SPACER, Bearing, 5.29" Long	
4A	7075462	1	SPACER, Bearing, 7.29" Long	<i>used on 61" Deck Model only</i>
5	7053496	2	ASSY, Tire & Wheel (Incl. items 6 thru 10)	
5A	7075461	2	ASSY, Tire & Wheel (Incl. items 6A, 7A, 8, 9A & 10)	<i>used on 61" Deck Model only</i>
6	7075335	1	WELDMENT, Wheel Hub & Rim	
6A	7075460	1	WELDMENT, Wheel Hub & Rim	<i>used on 61" Deck Model only</i>
7	7074791	1	TIRE, 13 x 5.06 4 Ply Slick	
7A	7075463	1	TIRE, 13 x 6.5-6 4 Ply Slick	<i>used on 61" Deck Model only</i>
8	7028722	2	BEARING, .750 Heim	
9	7076998	1	FITTING, Lube	
9A	7076998	1	FITTING, Lube, 1/4-28 Thread	<i>Was 12700, used on 61" Deck Model only</i>
10	7012234	1	VALVE STEM, Air	

Footnotes:

DRIVE TIRE & WHEEL ASSEMBLY

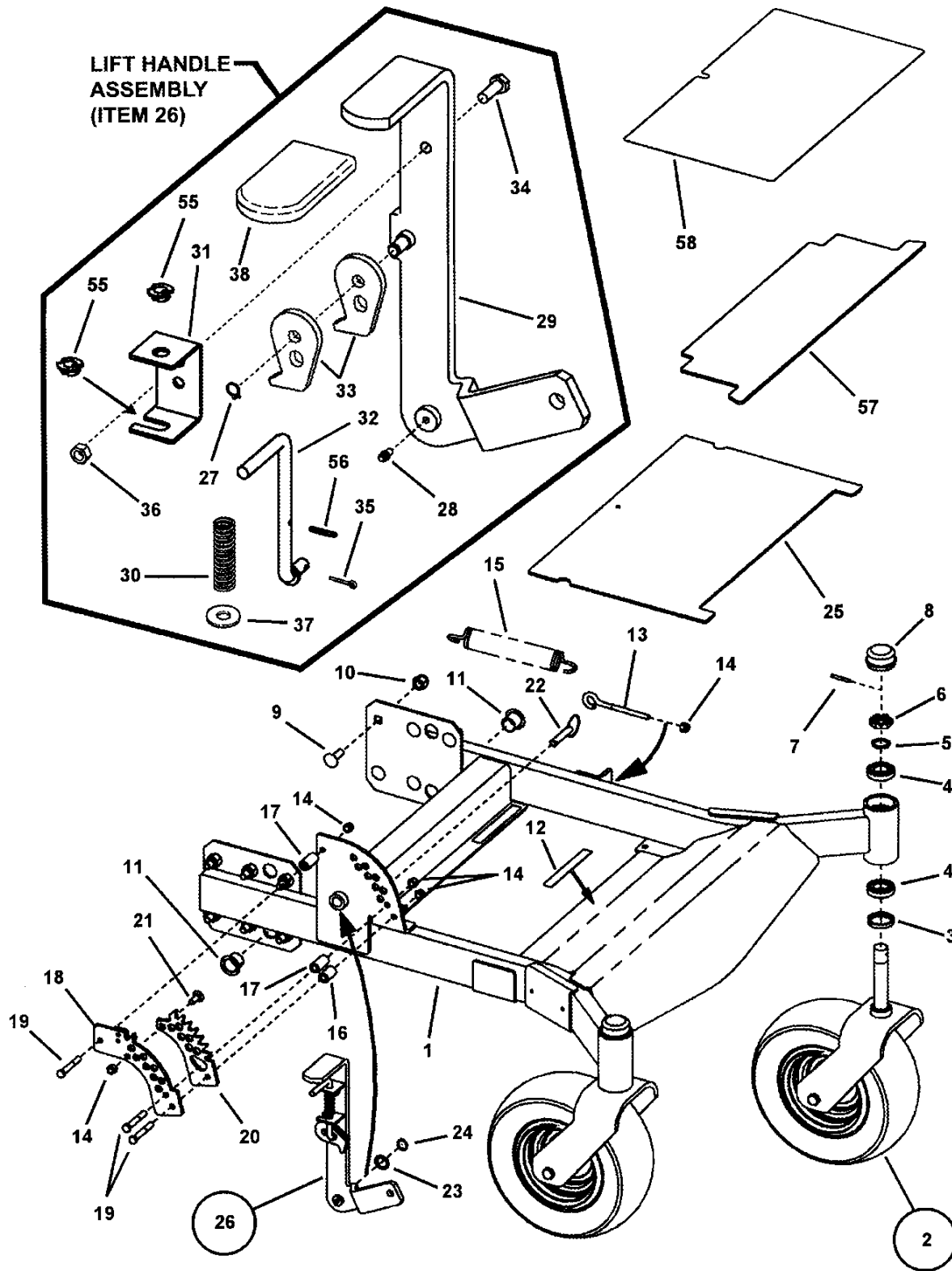


DRIVE TIRE & WHEEL ASSEMBLY

Item	Part No	Qty	Description	Note
1	7059161	2	ASSEMBLY, Rear Tire & Rim (Incl. Items 2, 3 & 4)	
--	7075473	2	ASSEMBLY, Rear Tire & Rim (Incl. Items 2, 3 & 4)	<i>NOTE: These items are used on 61" deck models only.</i>
2	7074157	1	TIRE, 23 x 10.5 - 12 NHS 4PR Kenda "Super Turf" 4 Ply	
--	7075478	1	TIRE, 24 x 12.00 - 12 Kenda "Super Turf" 4 Ply	<i>NOTE: These items are used on 61" deck models only.</i>
3	7075336	1	RIM, 12" Diameter x 7.00"	
--	7075474	1	RIM, 12" Diameter x 8.5"	
4	7012234	1	VALVE, Air	
5	7092073	10	NUT, 1/2-20NF Lug	
6	7074179	2	DRUM, BRAKE/WHEEL, HAYES (no lip on back)	
7	7091793		PIN, 9/64 x 1-1/2" Cotter	<i>included as part of wheel motor</i>
8	7013861		KEY, 3/16 x 7/8" Woodruff	<i>included as part of wheel motor</i>
9	7091828		NUT, 3/4-20 Slotted Hex	<i>included as part of wheel motor</i>

Footnotes:

FRONT FRAME ASSEMBLY PT.1

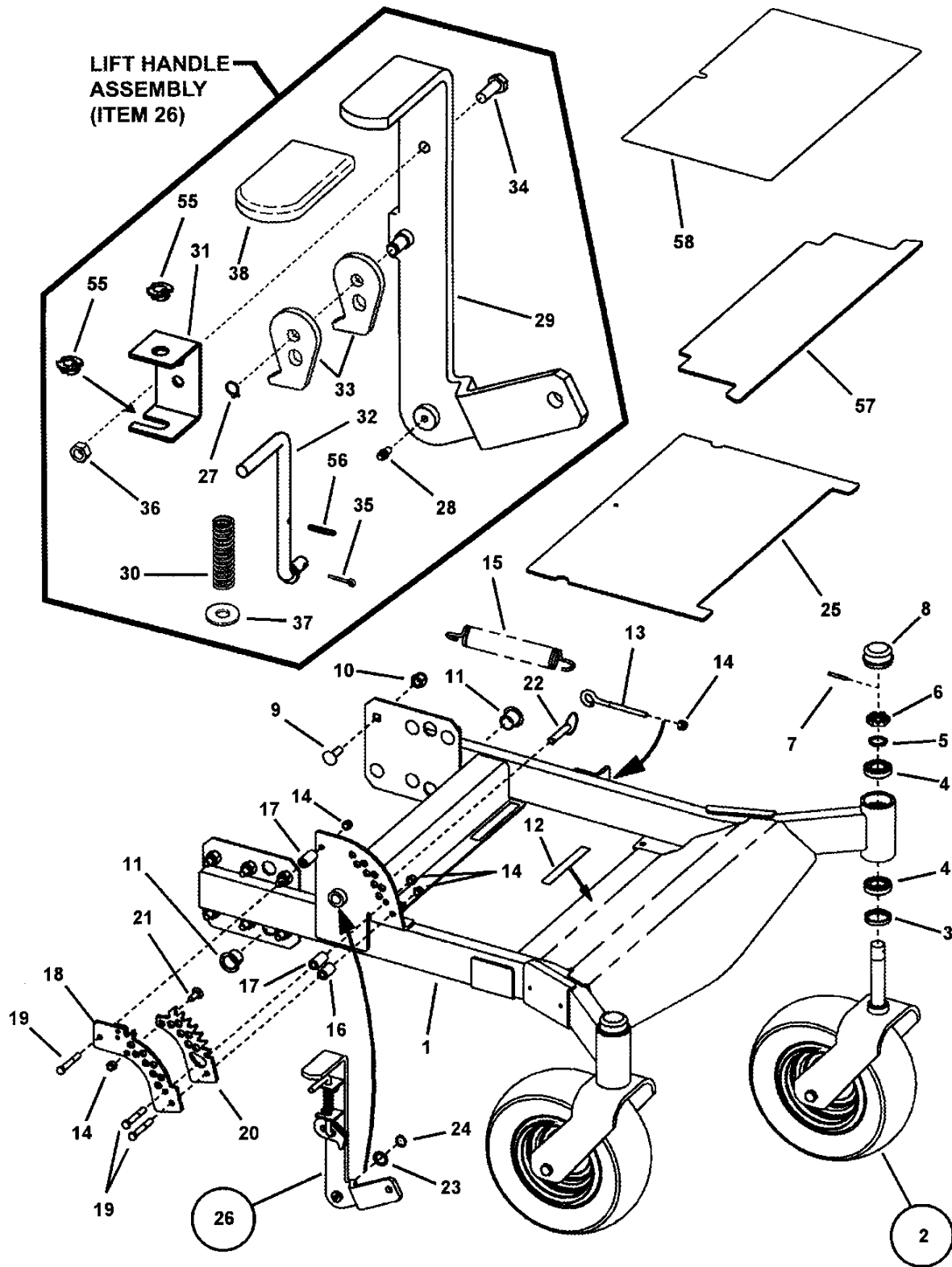


FRONT FRAME ASSEMBLY PT.1

Item	Part No	Qty	Description	Note
1	7058032	1	WELDMENT, Front Frame	
--	7044821	1	WELDMENT, Front Frame	<i>used on 61" Deck Model only</i>
2	--	2	GROUP, Front Wheel (see Caster Wheel Assembly Page)	
3	7074723	2	GREASE SEAL	
4	7058554	4	BEARING, Tapered Roller	<i>comprised of 74706 (tapered roller brg.) and 74707 (inner race)</i>
5	7029137	2	SPACER, Jackstaff	
6	7092083	2	CASTLE NUT, 1-1/ UNF, GR B	
7	7090841	2	ROLL PIN, 3/16 x 1-1/2"	
8	7074537	2	CAP, 3-1/2" Fuel	
9	7090768	12	BOLT, 1/2-13 x 1-1/2" Square Neck Carriage GR5	
10	7091325	12	NUT, 1/2-13 Hex Nyloc	
11	7073326	2	BUSHING, Teflon	
12	7041818	3	PAD, Floor Pan	
13	7044860	1	EYEBOLT, 3/8-16 x 3"	
14	7091299	9	NUT, 3/8-16 Hex Nyloc	
15	7035667	1	SPRING, Extension, Lift Assist	
16	7074777	1	SPACER, Lift Adjust (1.08" Long)	
17	7074580	2	SPACER, Lift Adjust (1.43" Long)	
18	7058446	1	WELDMENT, Height Adjust	
19	7091501	3	SCREW, 3/8-16 x 2-1/2" Hex Head Cap, GR5	
20	7074657	1	BRACKET, Deck Lift Detent	
21	7091640	1	BOLT, 3/8-16 x 1" Square Neck Carriage GR5	
22	7074716	1	CLIP, Roll Pin, 1/2"	
23	7010935	1	WASHER, .77 I.D. Flat	
24	7010746	1	RING, 3/4" External Retaining	
25	7074776	1	FLOORPAN	
26	--		ASSY, Deck Lift Handle (Incl. indented items below)	
27	7012313	1	RING, .375" Diameter External Retaining	
28	7014669	1	LUBE FITTING, 3/16" (or 76998, 1/4-28 Straight Lube Fitting)	<i>or 76998, 1/4-28 Straight Lube Fitting</i>
29	7058901	1	WELDMENT, Deck Lift Handle	
30	7072450	1	SPRING, Neutral Return	
31	7074531	1	BRACKET, Handle Support	
32	7074532	1	ROD, Latch	
33	7074533	2	STOP, Latch	
34	7090209	2	SCREW, 5/16-18 x 1" Hex Head Cap, GR2	
35	7091597	1	PIN, 3/32 x 1/2" Cotter	
36	7091575	2	NUT, 5/16-18 Hex Center Lock	

Footnotes:

FRONT FRAME ASSEMBLY PT.1

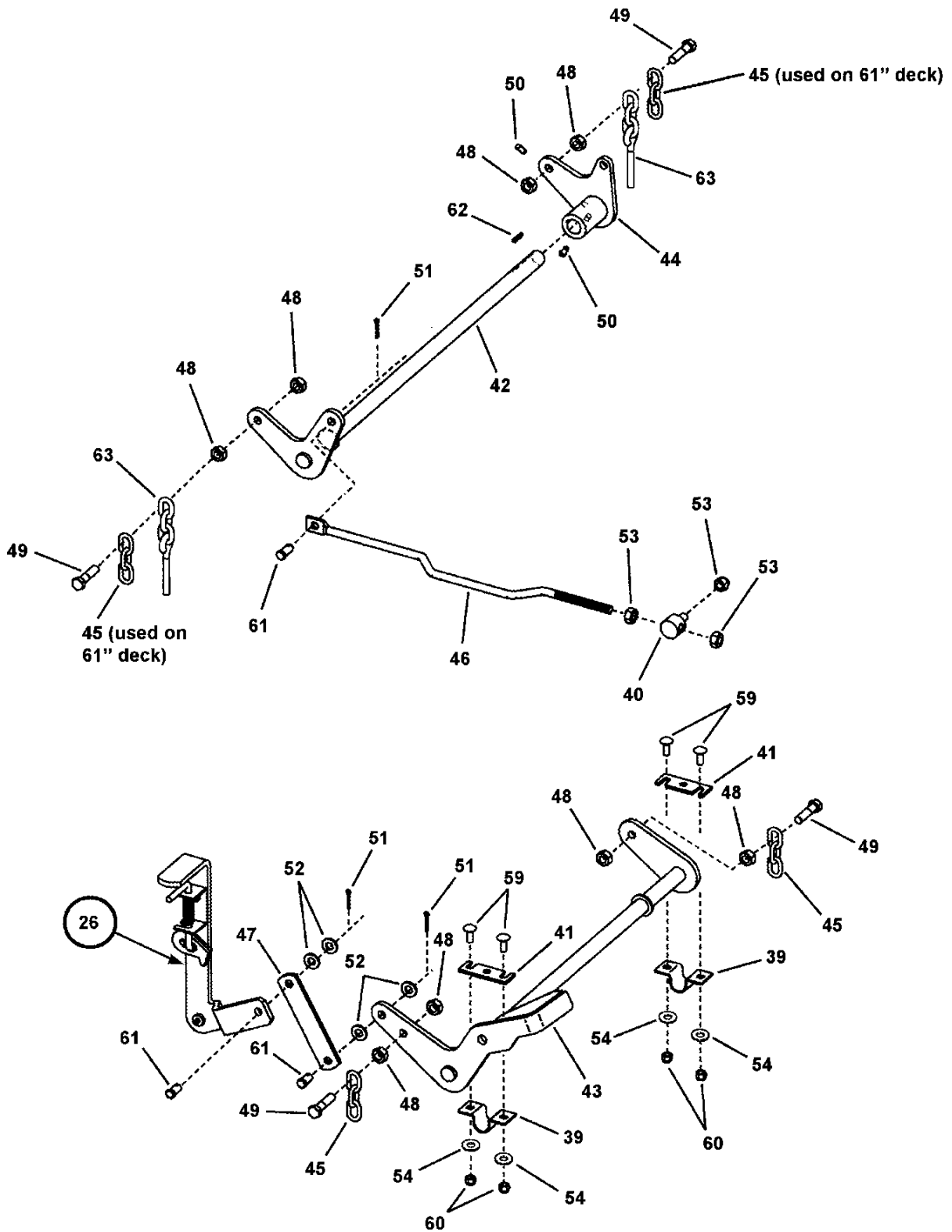


FRONT FRAME ASSEMBLY PT.1

Item	Part No	Qty	Description	Note
37	7090122	1	WASHER, 3/8" Flat SAE	
38	7075330	1	COVER, Plastic	
55	7012117	1	BUSHING, 3/8 Plastic	
56	7076986	1	ROLLPIN, 1/8 x 7/8"	
57	7075027	1	MAT, Footpan	
58	7075028	1	MAT, Floor Pan	

Footnotes:

FRONT FRAME ASSEMBLY PT.2

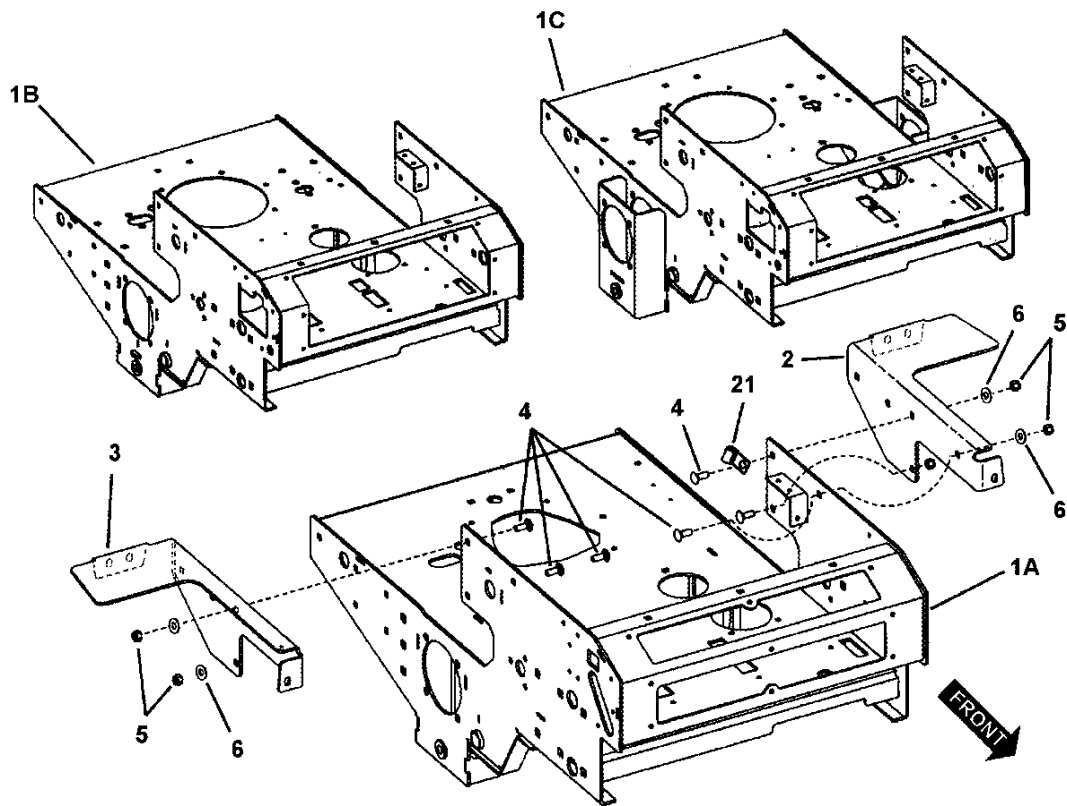


FRONT FRAME ASSEMBLY PT.2

Item	Part No	Qty	Description	Note
26	--		ASSY, Deck Lift Handle	
39	7043803	2	BRACKET, Deck Support	
40	7044858	1	SWIVEL, Timing Rod (1/2-13 External Thread)	
41	7044870	2	SHIM PLATE	
42	7058148	1	WELDMENT, Rear Lift	
43	7058181	1	WELDMENT, Front Deck Lift	
44	7058182	1	WELDMENT, Bellcrank Lift	
45	7059173		CHAIN, 3 Links	<i>qty. 2 on 52" deck; 4 on 61" deck</i>
46	7074579	1	ROD, Timing (1/2-13 Thread)	
47	7074698	1	LINK, Front	
48	7091544	10	NUT, 1/2-13 Hex Flange GR5	
49	7090543	4	SCREW, 1/2-13 x 2" Hex Head Cap, GR5	
50	7090848	2	SET SCREW, 5/16-18 Square Head Cup Point	
51	7091516	3	PIN, 5/32 x 1" Cotter	
52	7091587	4	WASHER, .531 I.D. Flat	
53	7091894	3	NUT, 1/2-13 Hex Center Lock, GR5	
54	7090188	4	WASHER, 5/16" Flat	
59	7091303	4	BOLT, 5/16-18 x 1" Short Neck Carriage, GR5	
60	7091298	4	NUT, 5/16-18 Hex Nyloc	
61	7012802	3	PIN, 1/2 x 1-1/8" Clevis	
62	7091803	1	KEY, 3/16" Square x 1-1/2"	
63	7053562	2	ASSEMBLY, Chain & Eyebolt	<i>used on 52" Deck Model only</i>

Footnotes:

REAR FRAME & TANK BRACKETS

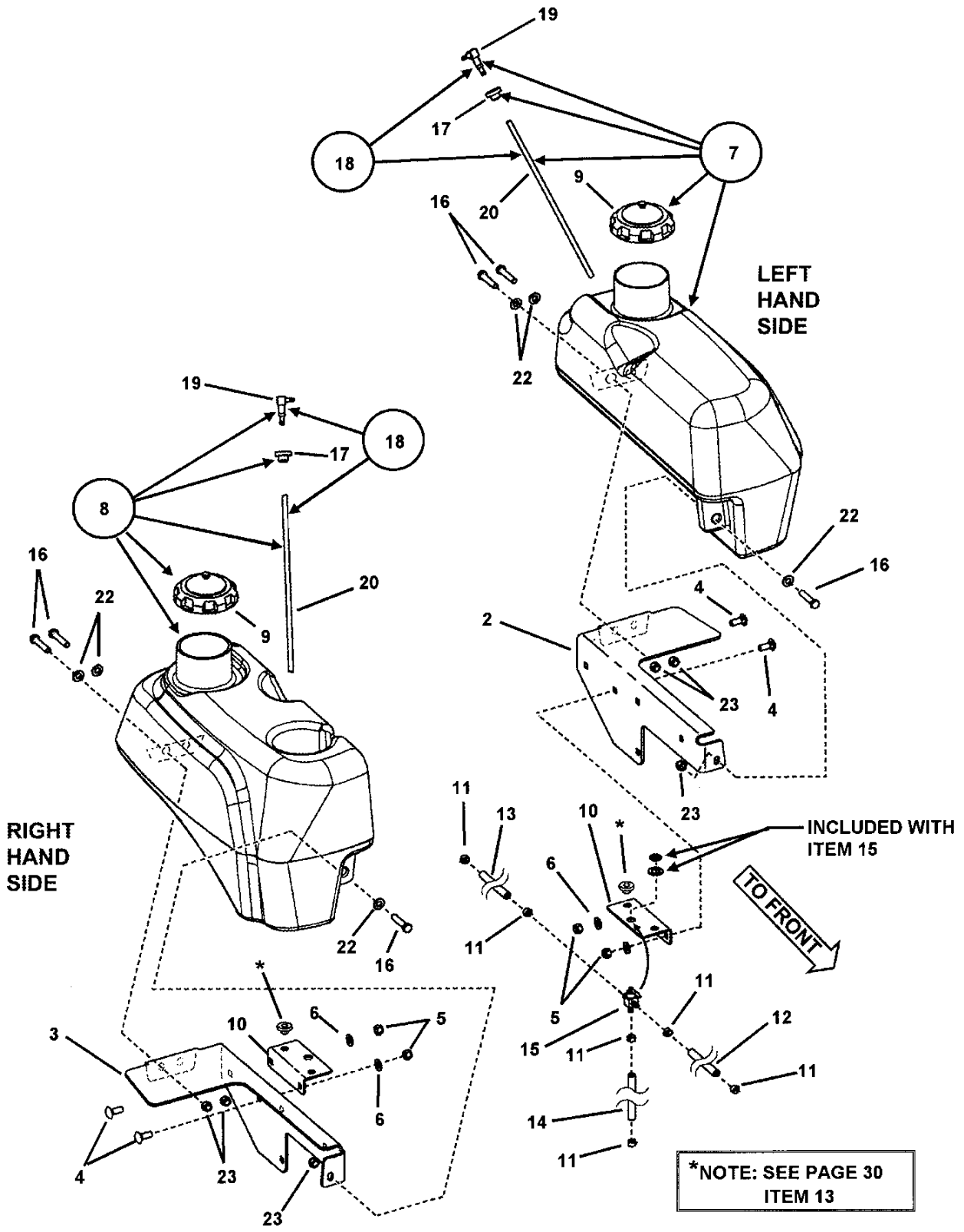


REAR FRAME & TANK BRACKETS

Item	Part No	Qty	Description	Note
1A	7059083	1	WELDMENT, Rear Frame	<i>used on Series 0</i>
1B	7044846	1	WELDMENT, Rear Frame	<i>used on Series 1 except for 61" Model</i>
1C	7044816	1	WELDMENT, Rear Frame	<i>used on Series 1, 61" Deck Models</i>
2	7053476	1	WELDMENT, Left Hand Fuel Tank Bracket	<i>also shown on Fuel Tank Assembly page</i>
3	7053518	1	WELDMENT, Right Hand Fuel Tank Bracket	<i>also shown on Fuel Tank Assembly page</i>
4	7091640	10	BOLT, 3/8-16 x 1" Square Neck Carriage GR5	<i>also shown on Fuel Tank Assembly page</i>
5	7091299	10	NUT, 3/8-16 Hex Nyloc	<i>also shown on Fuel Tank Assembly page</i>
6	7090122	4	WASHER, 3/8" Flat	<i>also shown on Fuel Tank Assembly page</i>
21	7035638	5	CLIP, Open 3/8" Cushioned	

Footnotes:

FUEL TANK ASSEMBLY

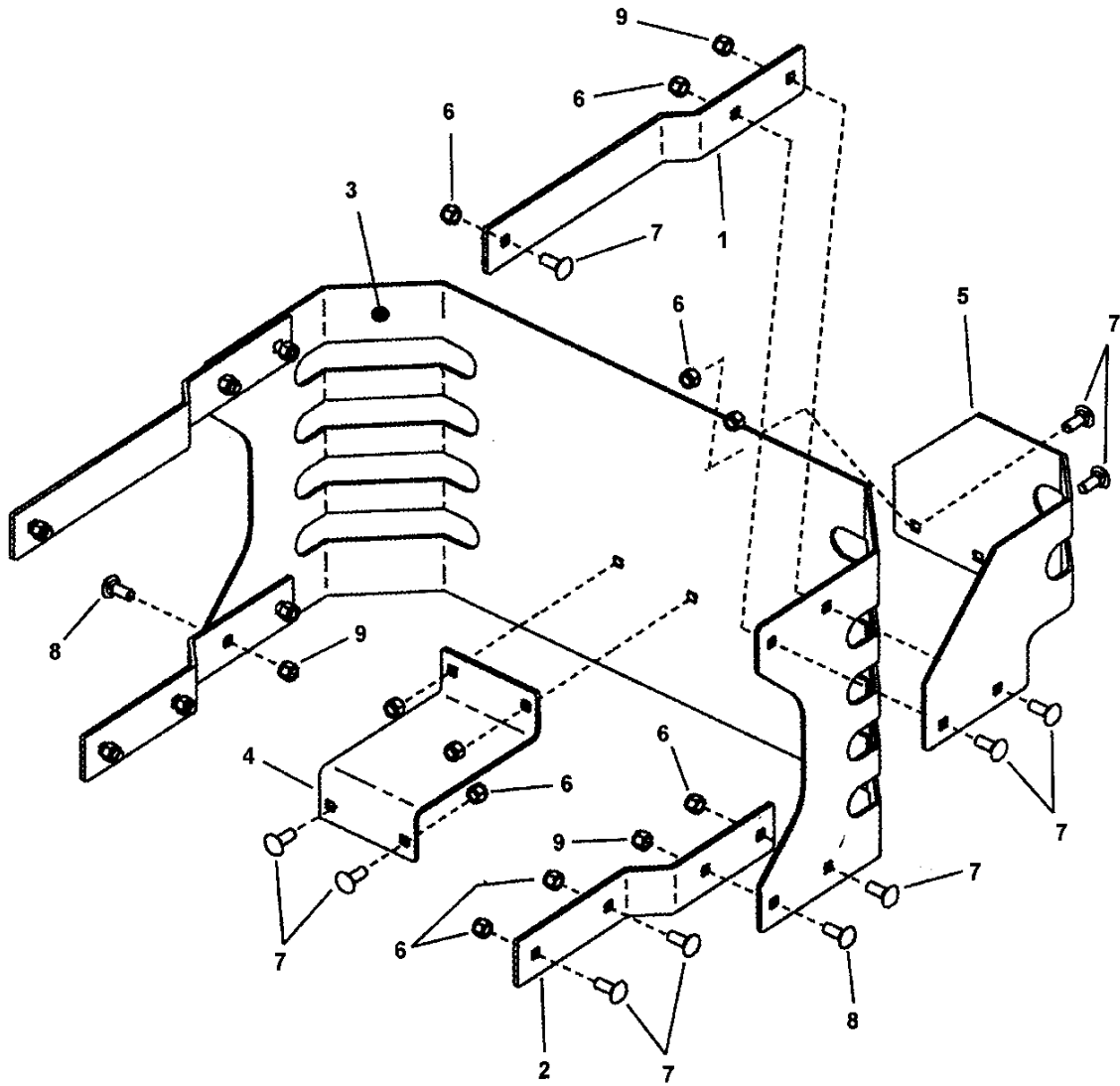


FUEL TANK ASSEMBLY

Item	Part No	Qty	Description	Note
2	7053476	1	WELDMENT, Left Hand Fuel Tank Bracket	
3	7053518	1	WELDMENT, Right Hand Fuel Tank Bracket	
4	7091640	10	BOLT, 3/8-16 x 1" Square Neck Carriage GR5	
5	7091299	4	NUT, 3/8-16 Hex Nyloc	
6	7090122	4	WASHER, 3/8" Flat	
7	7074566	1	ASSEMBLY, Fuel Tank, Left Hand	
8	7074565	1	ASSEMBLY, Fuel Tank, Right Hand	
9	7075135	2	CAP, 3-1/2" Fuel	
10	7074687	2	BRACKET, Valve Mount	
11	7029900	6	CLAMP, 7/16" Fuel Hose	
12	7074688	1	HOSE, 1/4" I.D. x 3'-7.5" Long Fuel (R.H.)	
13	7074689	1	HOSE, 1/4" I.D. x 1'-8" Long Fuel (L.H.)	
14	7074690	1	HOSE, 1/4" I.D. x 1' Long Fuel	
15	7044681	1	ASSEMBLY, 3-Way Fuel Valve	
16	7092089	6	SCREW, 7/16-14 x 2" Hex Head Cap, GR5	
17	7012337	2	GROMMET	
18	7049999	2	ASSEMBLY, Fuel Pickup (Incl. 74835 & 75106, one each)	
19	7074835		ELBOW, 90 Degree	
20	7075106		DIP TUBE	
22	7090250	12	WASHER, 1/2" Flat SAE	
23	7091917	6	NUT, 7/16-14 Hex Nyloc	

Footnotes:

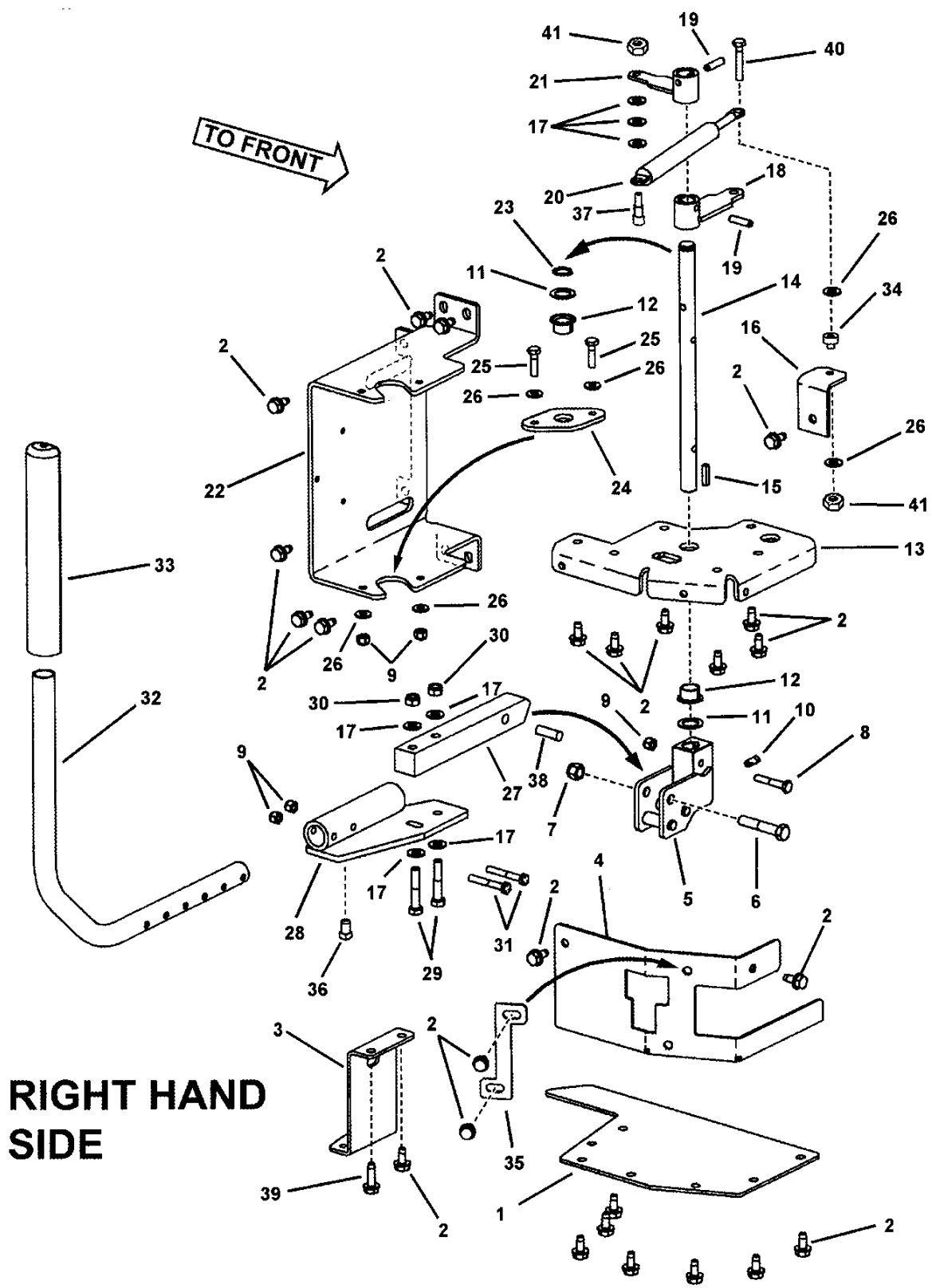
MUFFLER GUARD ASSEMBLY



MUFFLER GUARD ASSEMBLY

Item	Part No	Qty	Description	Note
1	7074691	2	UPPER BRACKET, Muffler Guard	
2	7074692	2	MOUNT, Lower Muffler Guard	
3	7074693	1	GUARD, Muffler (Back Plate)	
4	7074785	1	REAR BRACE, Muffler Guard	
5	7075073	1	GUARD, Muffler	
6	7091299	17	NUT, 3/8-16 Nyloc	
7	7091640	18	BOLT, 3/8-16 x 1" Square Neck Carriage GR5	
8	7091923	2	BOLT, 3/8-16 x 3/4" Square Neck Carriage	
9	7091585	3	NUT, 3/8-16 Hex Center Lock	

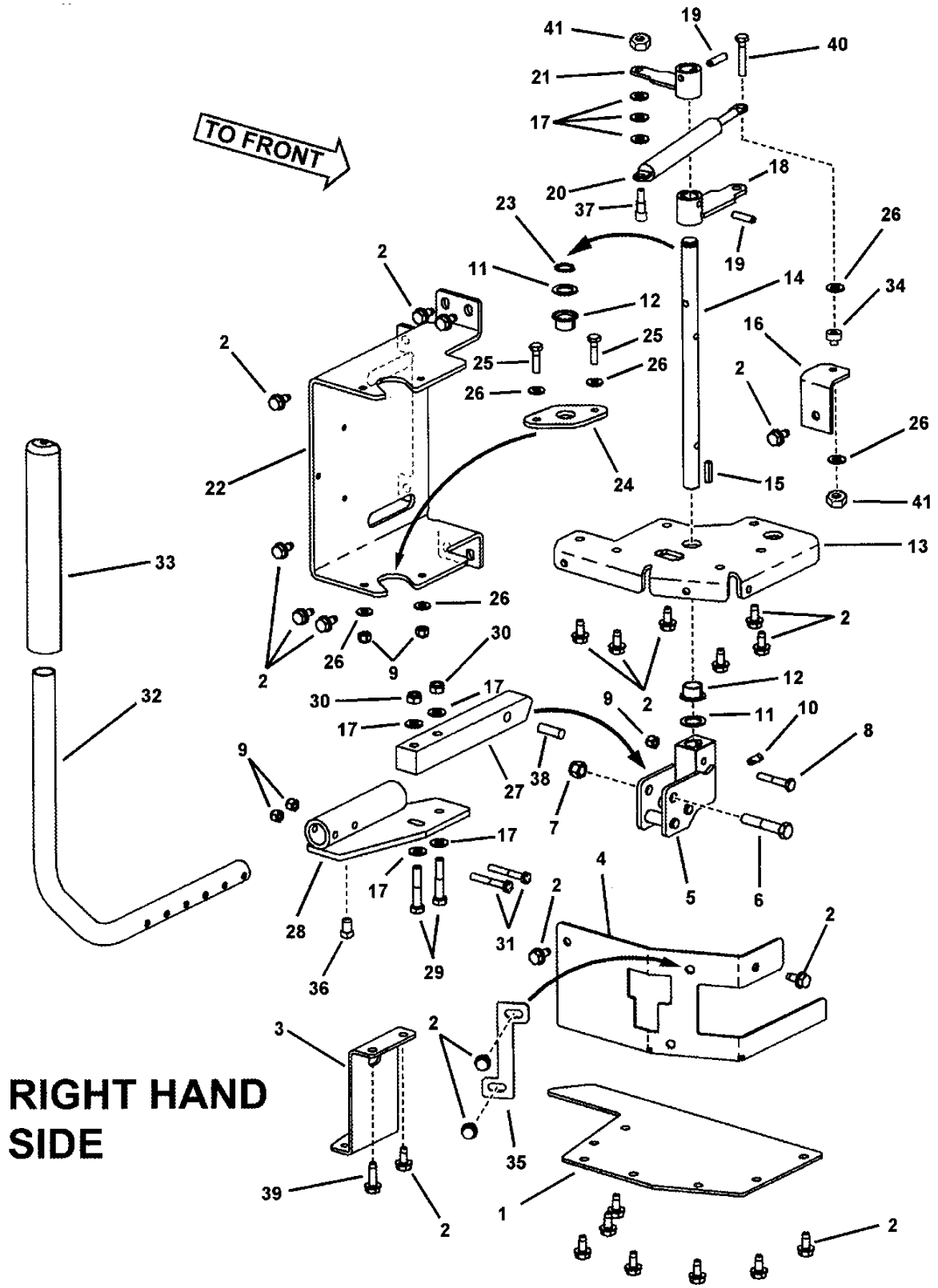
Footnotes:



TWIN STICK CONTROL ASSEMBLY PT.1

Item	Part No	Qty	Description	Note
1	7074671	1	LIMITER BRACKET, Right Hand Outside	
2	7090361	42	SCREW, 5/16-18 x 5/8" Hex Washer Self-Tap	
3	7074670	2	LIMITER BRACKET, Rear	
4	7074669	1	LIMITER BRACKET, Right Hand	
5	7059101	2	WELDMENT, Mounting Hub	
6	7091305	2	SCREW, 3/8-16 x 2" Hex Head Cap GR5	
7	7091299	2	NUT, 3/8-16 Hex Nyloc	
8	7079577	2	SCREW, 1/4-20 x 1-1/2" Hex Head Cap GR5	
9	7091603	14	NUT, 1/4-20 Hex Nyloc	
10	7092018	2	SET SCREW, 5/16-18 Square Head w/Patch	
11	7091628	4	WASHER, .64 I.D. x .99 O.D. x .05 Flat	
12	7072934	4	BUSHING, Teflon Impregnated	
13	7074164	1	BUSHING MOUNT PLATE, Right Hand	
14	7073994	2	CROSSROD	
15	7074910	2	KEY, 3/16" Square x 7/8" Long	
16	7074672	2	BRACKET, Dampener Frame	
17	7090188	10	WASHER, 5/16" Flat	
18	7059123	2	WELDMENT, Bellcrank, Pump Control	
19	7092091	4	GROOVE PIN, 1/4 x 1-1/4" long	
20	7075031	2	CYLINDER, Dampener	
21	7059171	2	WELDMENT, Bellcrank Dampener Control	
22	7074016	1	CHANNEL, Mounting	
23	7010739	2	RING, 5/8" External Retaining	
24	7073061	2	MOUNTING PLATE, Left Hand Bearing	
25	7027230	4	SCREW, 1/4-20 x 1" Hex Head Cap GR5	
26	7091294	12	WASHER, .28 I.D. x .63 O.D. x .06 Thick Flat	
27	7074186	2	MOUNTING ARM	
28	7059117	1	WELDMENT, R.H. Adjustable Handlebar Attachment	
29	7090669	4	SCREW, 5/16-18 x 1-3/4" Hex Head Cap, GR5	
30	7091298	4	NUT, 5/16-18 Hex Nyloc	
31	7091813	4	SCREW, 1/4-20 x 1-3/4" Hex Head Cap, GR5	
32	7074661	2	HANDLEBAR	<i>one per side</i>
33	7072212	2	GRIP, Twin Stick	<i>one per side</i>
34	7075026	2	SPACER	
35	7074964	1	BRACKET, Speed Control	
36	7090848	1	SET SCREW, 5/16-18 x 1/2" Square Head Cup Point w/patch	
37	7092010	1	SCREW, 1/4-20 Shoulder Socket Head	

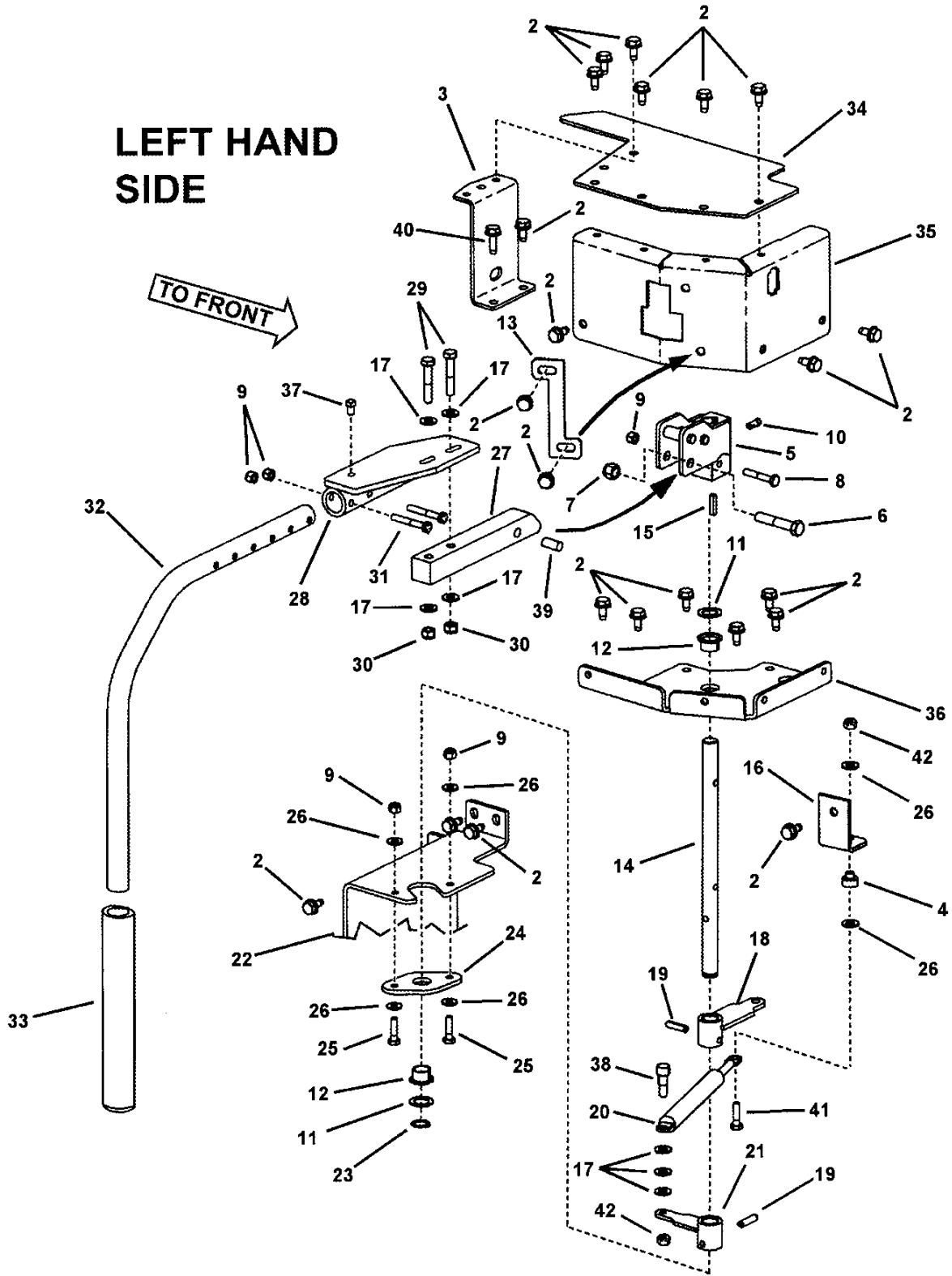
Footnotes:



TWIN STICK CONTROL ASSEMBLY PT.1

Item	Part No	Qty	Description	Note
38	7075029	1	SPACER, .498 O.D. x 1.010" long	
39	7091841	1	SCREW, 5/16-18 x 1" Hex Washer Self-Tap	
40	7091814	1	SCREW, 1/4-20 x 1-1/4" Hex Head Cap	
41	7090372	2	NUT, 1/4-20 Hex Center Lock	

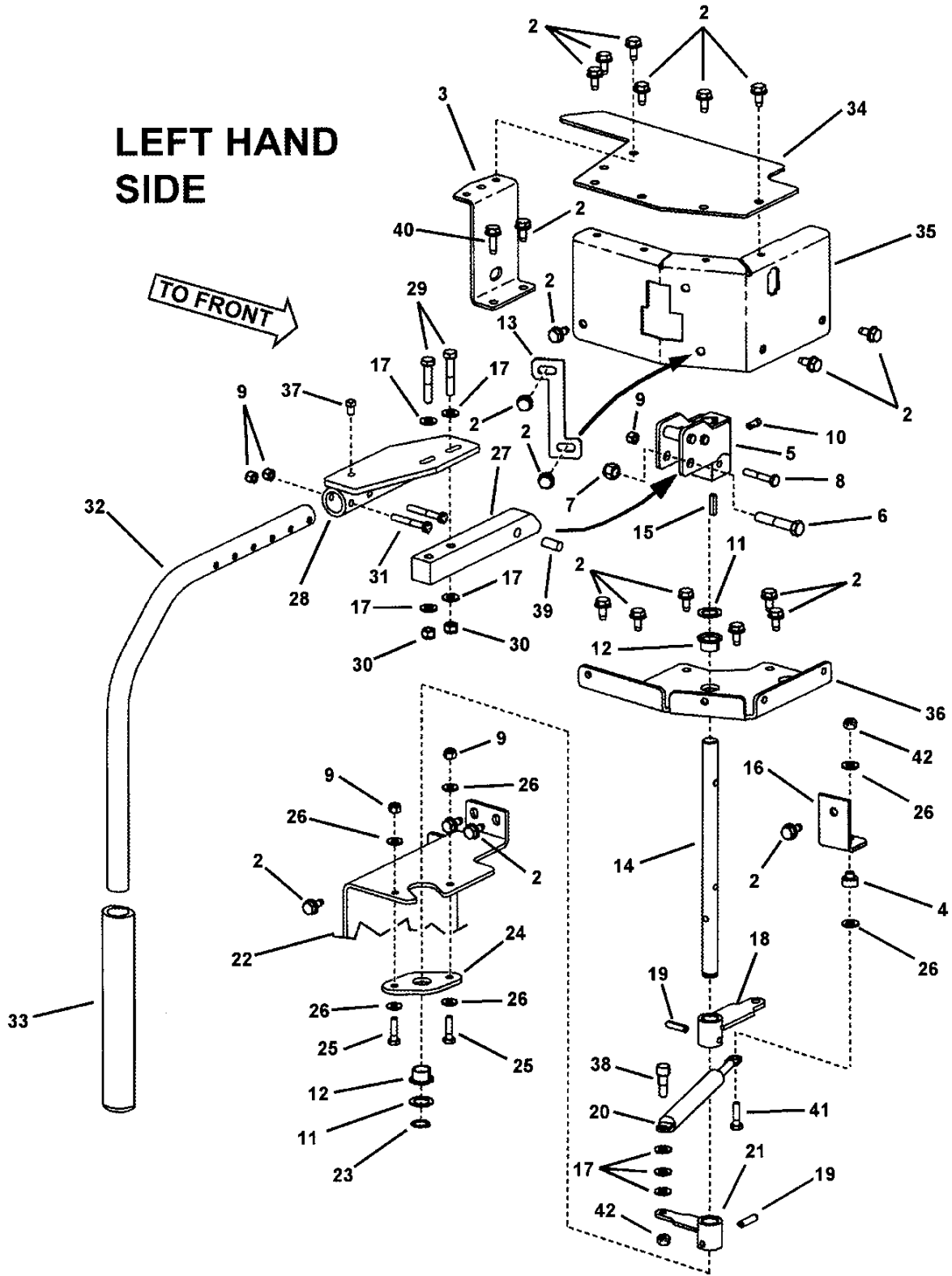
Footnotes:



TWIN STICK CONTROL ASSEMBLY PT.2

Item	Part No	Qty	Description	Note
1	7074671	1	LIMITER BRACKET, Right Hand Outside	<i>not shown, see previous page</i>
2	7090361	42	SCREW, 5/16-18 x 5/8" Hex Washer Self-Tap	
3	7074670	2	LIMITER BRACKET, Rear	
4	7075026	1	SPACER	
5	7059101	2	WELDMENT, Mounting Hub	
6	7091305	2	SCREW, 3/8-16 x 2" Hex Head Cap GR5	
7	7091299	2	NUT, 3/8-16 Hex Nyloc	
8	7079577	2	SCREW, 1/4-20 x 1-1/2" Hex Head Cap GR5	
9	7091603	14	NUT, 1/4-20 Hex Nyloc	
10	7092018	2	SET SCREW, 5/16-18 Square Head w/Patch	
11	7091628	4	WASHER, .64 I.D. x .99 O.D. x .05 Flat	
12	7072934	4	BUSHING, Teflon Impregnated	
13	7074964	1	BRACKET, Speed Control	
14	7073994	2	CROSSROD	
15	7074910	2	KEY, 3/16" Square x 7/8" Long	
16	7074672	2	BRACKET, Dampener Frame	
17	7090188	10	WASHER, 5/16" Flat	
18	7059123	2	WELDMENT, Bellcrank, Pump Control	
19	7092091	4	GROOVE PIN, 1/4 x 1-1/4" long	
20	7075031	2	CYLINDER, Dampener	
21	7059171	2	WELDMENT, Bellcrank Dampener Control	
22	7074016	1	CHANNEL, Mounting	
23	7010739	2	RING, 5/8" External Retaining	
24	7073061	2	MOUNTING PLATE, Left Hand Bearing	
25	7027230	4	SCREW, 1/4-20 x 1" Hex Head Cap GR5	
26	7091294	12	WASHER, .28 I.D. x .63 O.D. x .06 Thick Flat	
27	7074186	2	MOUNTING ARM	
28	7044814	1	WELDMENT, L.H. Adjustable Handlebar Attachment	
29	7090669	4	SCREW, 5/16-18 x 1-3/4" Hex Head Cap, GR5	
30	7091298	4	NUT, 5/16-18 Hex Nyloc	
31	7091813	4	SCREW, 1/4-20 x 1-3/4" Hex Head Cap, GR5	
32	7074661	2	HANDLEBAR	<i>one per side</i>
33	7072212	2	GRIP, Twin Stick	<i>one per side</i>
34	7074808	1	LIMITER BRACKET, Left Hand Outside	
35	7074668	1	LIMITER BRACKET, Left Hand	
36	7074017	1	BUSHING MOUNTING PLATE, Left Hand	
37	7090848	1	SET SCREW, 5/16-18 x 1/2" Square Head Cup Point w/patch	

Footnotes:

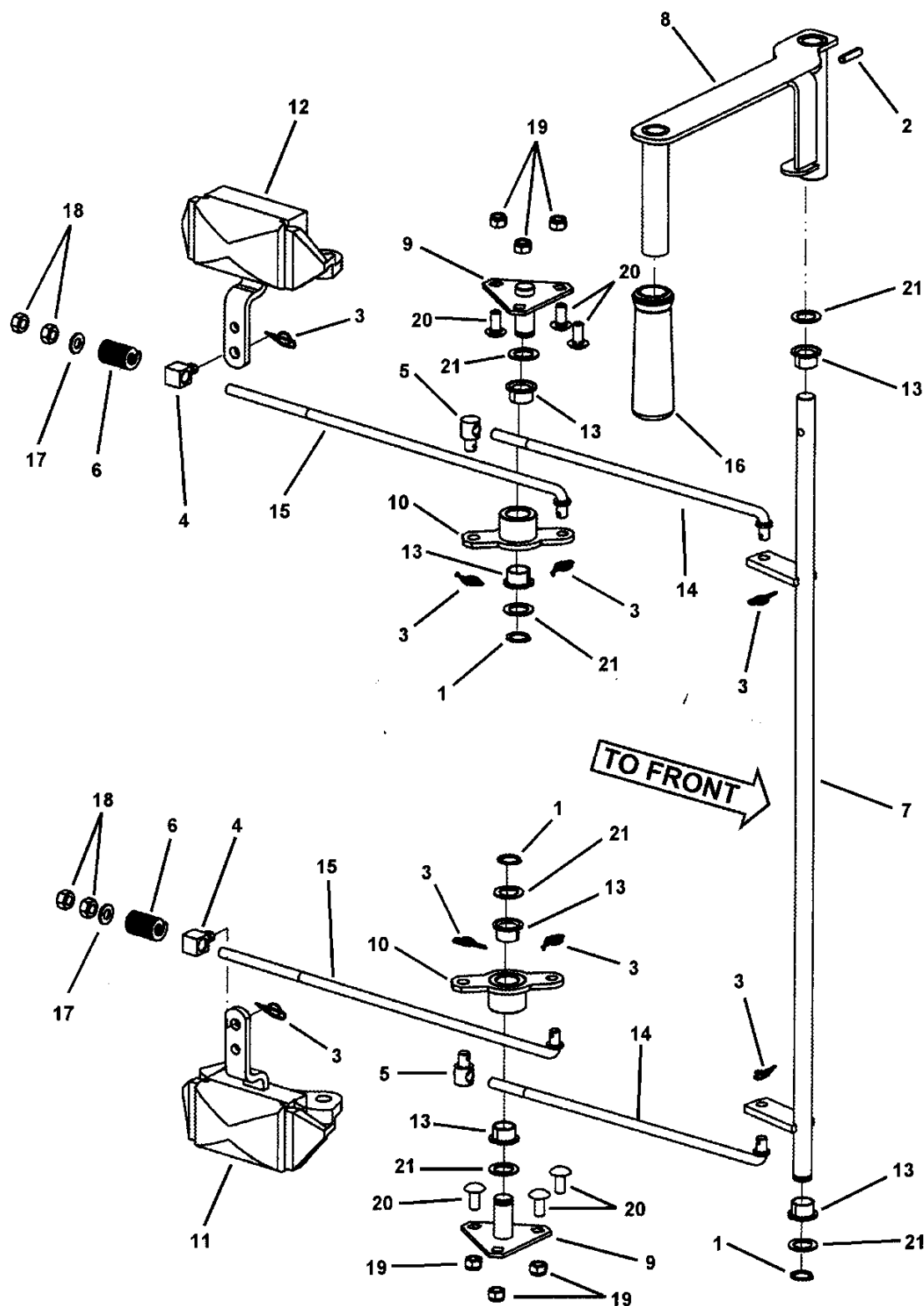


TWIN STICK CONTROL ASSEMBLY PT.2

Item	Part No	Qty	Description	Note
38	7092010	1	SCREW, 1/4-20 Shoulder Socket Head	
39	7075029	1	SPACER, .498 O.D. x 1.010" long	
40	7091841	1	SCREW, 5/16-18 x 1" Hex Washer Self-Tap	
41	7091814	1	SCREW, 1/4-20 x 1-1/4" Hex Head Cap	
42	7090372	2	NUT, 1/4-20 Hex Center Lock	

Footnotes:

PARKING BRAKE ASSEMBLY

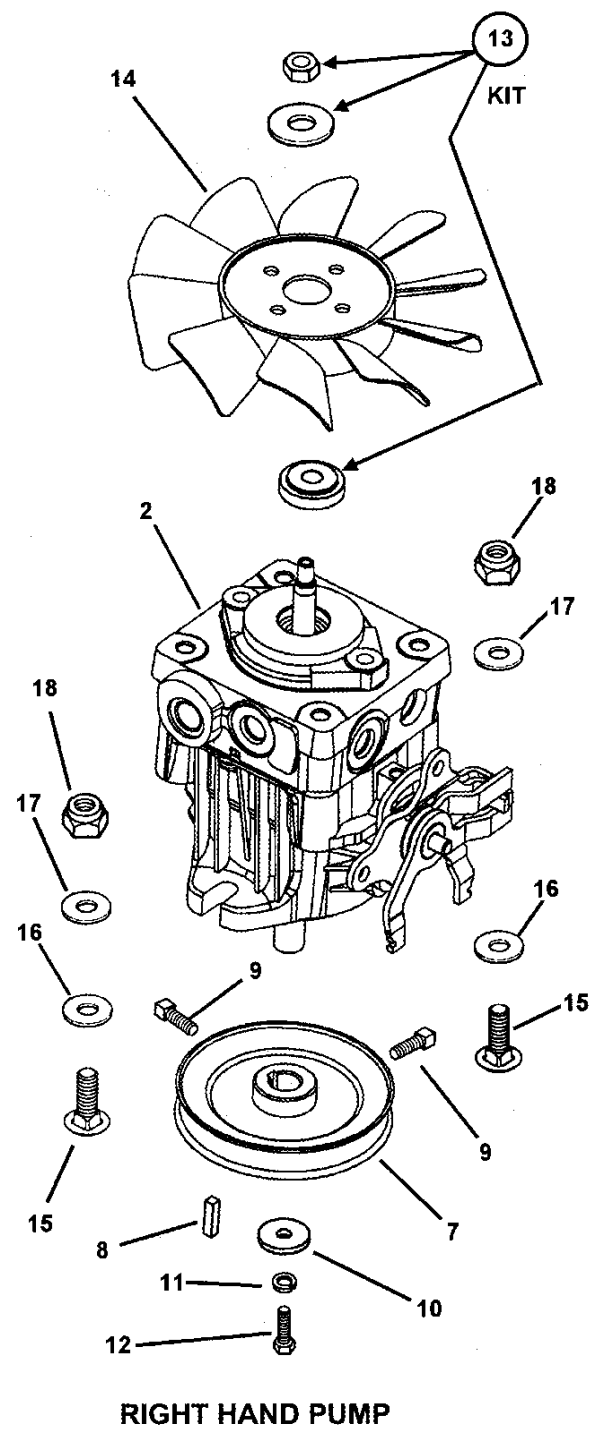
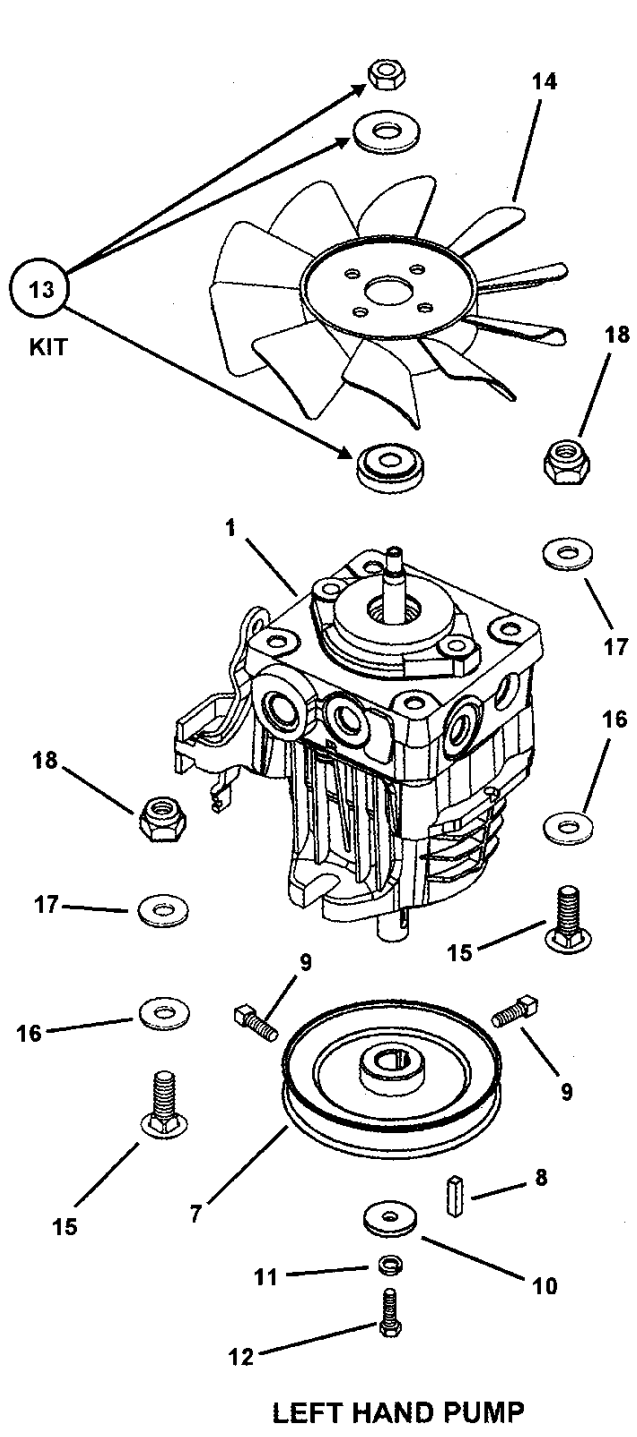


PARKING BRAKE ASSEMBLY

Item	Part No	Qty	Description	Note
1	7010739	3	RING, 5/8" External Retaining	
2	7092091	1	GROOVE PIN, 1/4 x 1-1/4"	
3	7091593	8	PIN, 3/8" Self Locking Cotter	
4	7024586	2	SWIVEL, Brake Link-PM	
5	7046451	2	SWIVEL, Adjustable	
6	7046782	2	SPRING, Rectangular Wire Die, Blue	<i>or 35915, SPRING, Neutral Return Adjust</i>
7	7059084	1	WELDMENT, Brake Rod Crossrod	
8	7059085	1	WELDMENT, Park Brake Handle	
9	7059086	2	WELDMENT, Brake Linkage Pivot	
10	7059087	2	WELDMENT, Brake Linkage Bellcrank	
11	7059176	1	PACKAGE, Left Hand Disc Brake	
12	7059181	1	PACKAGE, Right Hand Disc Brake	
13	7072934	6	BUSHING, Teflon Impregnated	
14	7073989	2	LINKAGE, Park Brake, Front (3/8-24 thread)	
15	7073990	2	LINKAGE, Park Brake, Rear (3/8-24 thread)	
16	7074196	1	GRIP, Parking Brake	
17	7090122	2	WASHER, 3/8" Flat	
18	7090482	4	NUT, 3/8-24 Hex Jam	
19	7091298	6	NUT, 5/16-18 Hex Nyloc	
20	7091508	6	BOLT, 5/16-18 x 3/4" Short Neck Carriage GR5	
21	7091628	6	WASHER, .64 I.D. Flat	

Footnotes:

HYDRO PUMP ASSEMBLIES

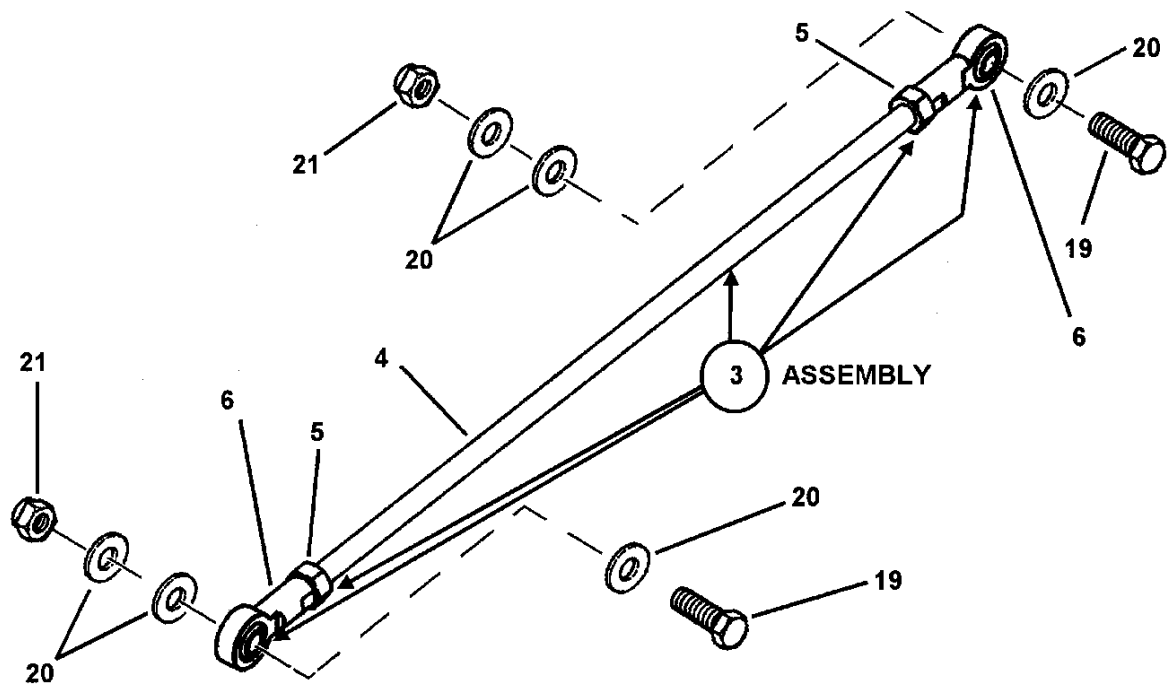


HYDRO PUMP ASSEMBLIES

Item	Part No	Qty	Description	Note
1	7075709	1	PUMP, Hydro-Gear (BDP-10A-314) Left Hand	<i>Was 74736 (used on Series 0)</i>
--	7075709	1	PUMP, Hydro-Gear (BDP-10A-331) Left Hand	<i>used on Series 1</i>
2	7075710	1	PUMP, Hydro-Gear (BDP-10A-424) Right Hand	<i>Was 74737 (used on Series 0)</i>
--	7075710		PUMP, Hydro-Gear (BDP-10A-454) Right Hand	<i>used on Series 1</i>
7	7059089	2	PULLEY, Hydro Drive Pump	<i>used on Series 0</i>
--	7075624	2	PULLEY, Hydro Drive Pump	<i>used on Series 1</i>
8	7027199	2	KEY, M5 x M20	
9	7091829	4	SCREW, 1/4-20 x 1/2" Square Head Set w/Patch Lock	
10	7091627	2	WASHER, .281 x 1.00 x .125 Flat	
11	7027223	2	WASHER, 1/4" Split Lock	
12	7091835	2	SCREW, M6 1.0 x 12mm Hex Head Cap	
13	7074738	2	HUB KIT for BDP-10A Pump w/Thru Shaft (Incl. indented items below)	
--	--		HUB, Fan Mount	
--	--		WASHER, Belleville, Fan Mount	
--	--		NUT, Hex Nyloc	
14	7074968	2	FAN, 7" Nylon, Counter-Clockwise	
15	7027181	4	BOLT, 3/8-16 x 1-1/4" Short Neck Carriage GR5	
16	7013847	4	RETAINER, 3/8" Bolt	
17	7090122	4	WASHER, 3/8" Flat	
18	7091299	4	NUT, 3/8-16 Hex Nyloc	<i>or 76979 (3/8-16 Hex Nyloc Nut)</i>

Footnotes:

HYDRO PUMP LINKAGE

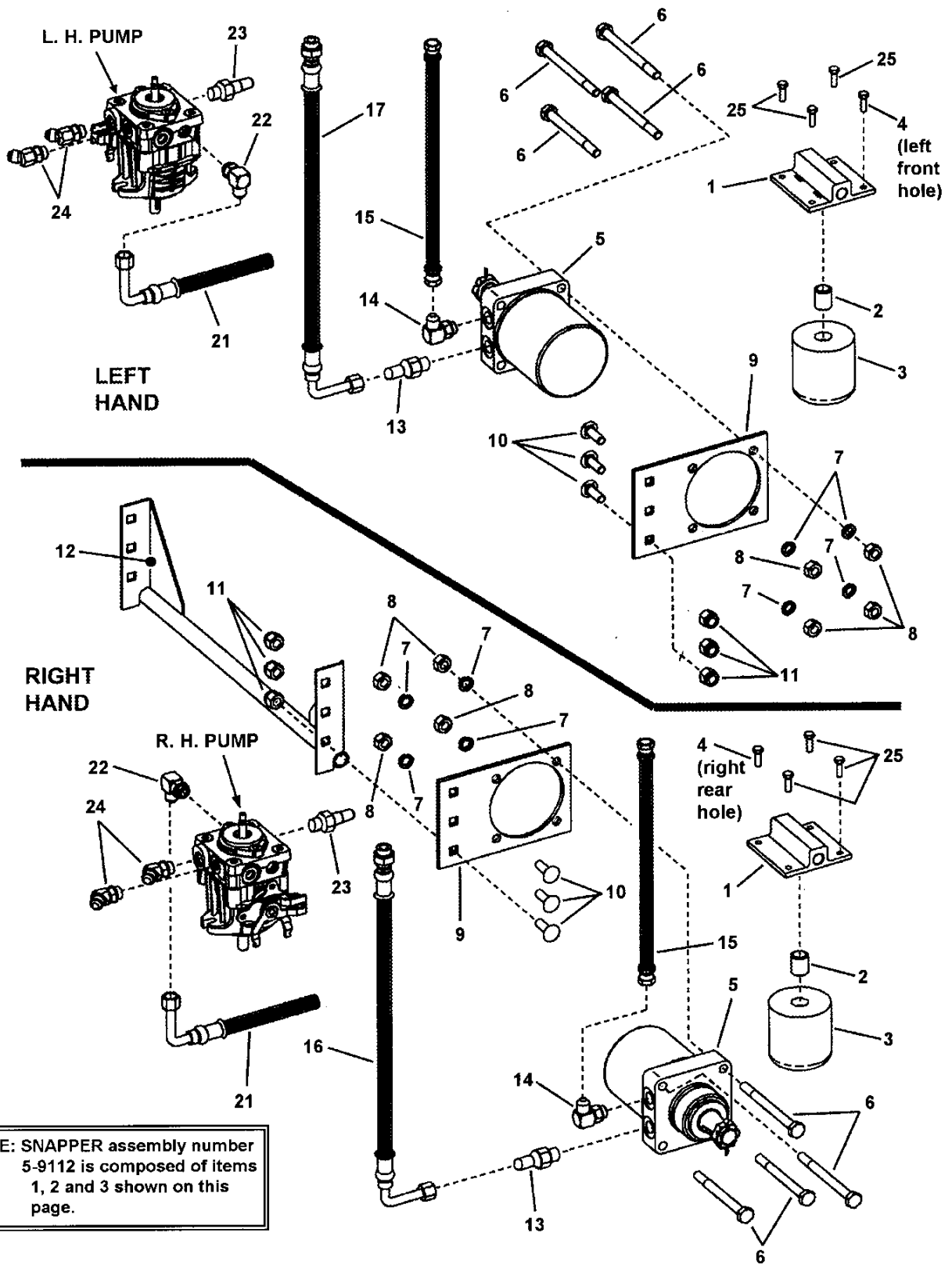


HYDRO PUMP LINKAGE

Item	Part No	Qty	Description	Note
3	--	2	ASSY, Pump Control Linkage (Incl. indented items below)	
4	7073995	1	LINKAGE ROD, Pump Control (5/16-24 thread- both ends)	
5	7091297	2	NUT, 5/16-24 Hex GR5 (2 per assembly)	
6	7027139	2	LINKAGE (2 per assembly)	
19	7091527	4	SCREW, 5/16-18 x 1-1/4" Hex Head Cap GR5	
20	7090188	12	WASHER, 5/16" Flat	
21	7091298	4	NUT, 5/16-18-3B Hex Nyloc	

Footnotes:

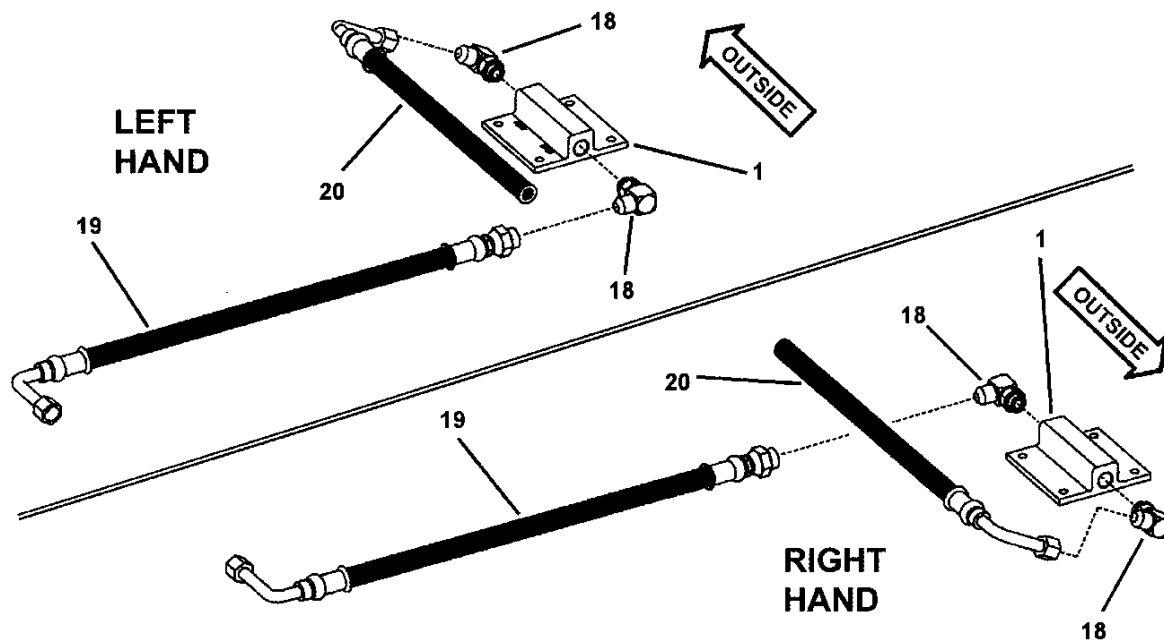
HOSE ASSEMBLY (Series 0) PT.1



HOSE ASSEMBLY (Series 0) PT.1

Item	Part No	Qty	Description	Note
1	7059112	2	MOUNT, Oil Filter	<i>Includes Filter Item #3</i>
2	7027200	2	FITTING, Straight 1-12 UNF Thread	
3	7027164	2	FILTER, Oil	<i>Nelson P/N 85437-D</i>
4	7090815	2	SCREW, 3/8-16 x 3/4" Hex Washer Self-Tap	
5	7074161	2	MOTOR, Hydraulic	<i>(Includes 13861, #11 Woodruff Key; & 92093, Patched Hex Nut)</i>
6	7092087	8	BOLT, 1/2-13 x 6" Hex Head Cap GR5	
7	7091322	8	WASHER, 1/2" Split Lock	
8	7091316	8	NUT, 1/2-13 Hex GR B	
9	7073996	2	PLATE, Mounting	
10	7090768	6	BOLT, 1/2-13 x 1-1/2" Square Neck Carriage GR5	
11	7091325	6	NUT, 1/2-13 Hex Nyloc	
12	7059091	1	WELDMENT, Rear Crossbrace	
13	7075058	2	CONNECTOR, Straight Hydraulic (Parker # 8-10 F5OLO-S)	
14	7075059	2	CONNECTOR, 90 Degree Hydraulic (Parker # 8-10 C5OLO-S)	
15	7075049	2	HOSE, 13-3/4" Hydraulic (Parker # F436BKJJC080808-13-75)	
16	7075050	1	HOSE, 19-1/2" Hydraulic (Parker # F436BKJJCJ5080808-19.5)	
17	7075051	1	HOSE, 17-1/2" Hydraulic (Parker # F436BKJJCJ5080808-17.5)	
21	7075054	2	HOSE, 6-1/2" (Parker # R836BKJ9NR080008-6.5)	
22	7075056	2	CONNECTOR, 90 Degree Hydraulic (Parker # 8-6 C5OLO-S)	
23	7075057	2	CONNECTOR, Straight Hydraulic (Parker # 8-6 F5OLO-S)	
24	7075055	4	CONNECTOR, 45 Degree Hydraulic (Parker # V5OLO-S)	
25	7090793	6	SCREW, 5/16-18 x 3/4" Hex Washer Self-Tap	

Footnotes:

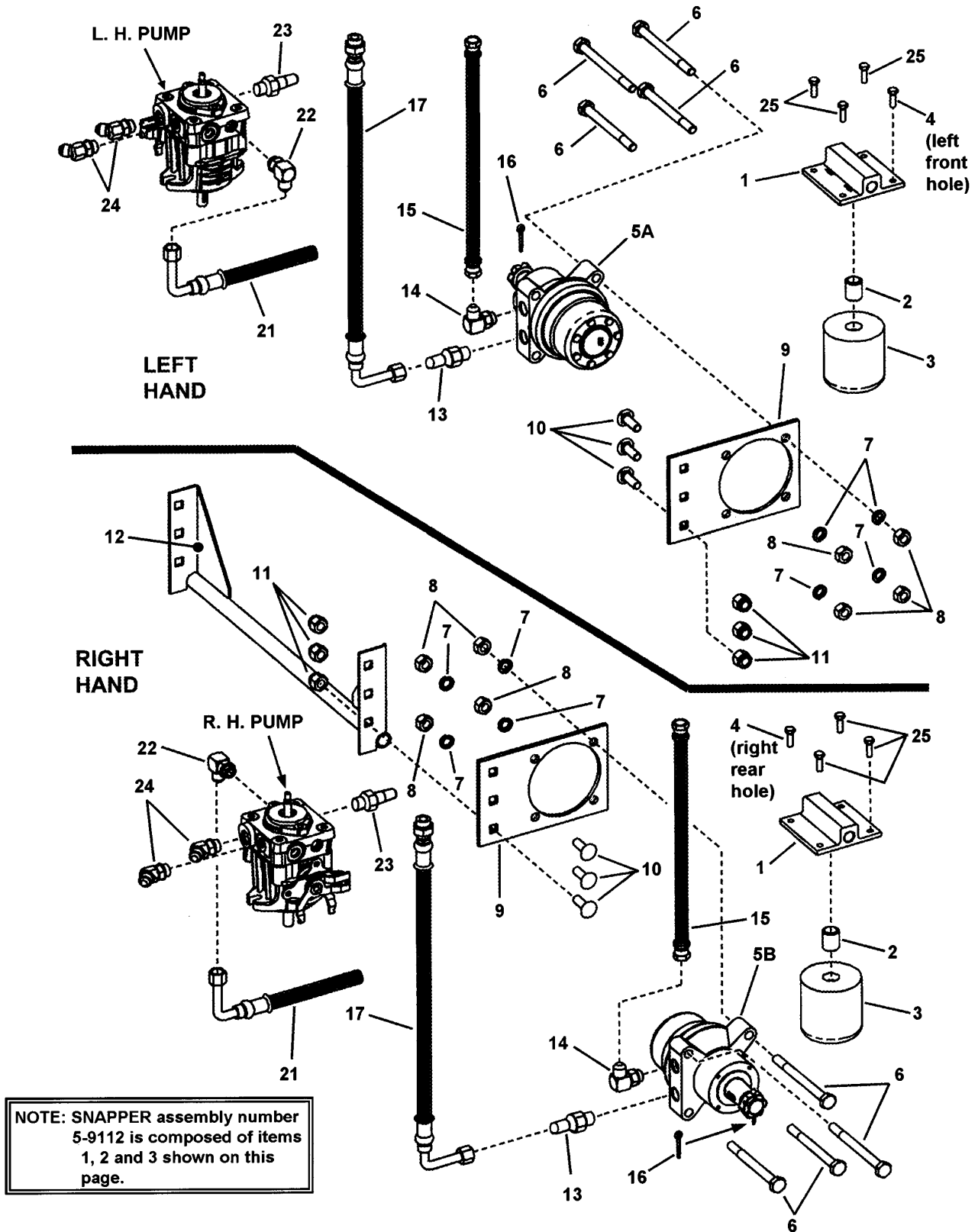


HOSE ASSEMBLY (Series 0) PT.2

Item	Part No	Qty	Description	Note
1	7075445		MOUNT, Oil Filter	<i>also shown in previous group</i>
18	7075060	4	CONNECTOR, 90 Degree Hydraulic (Parker # 8 C5OLO-S)	
19	7075052	2	HOSE, 18-1/2" (Parker R836BKJCJ9090808-18.5)	
20	7075053	2	HOSE, 12-1/4" (Parker # R836BKJ9NR080008-12.5)	

Footnotes:

HOSE ASSEMBLY (48" & 52" DECK, SERIES 1) PT.1

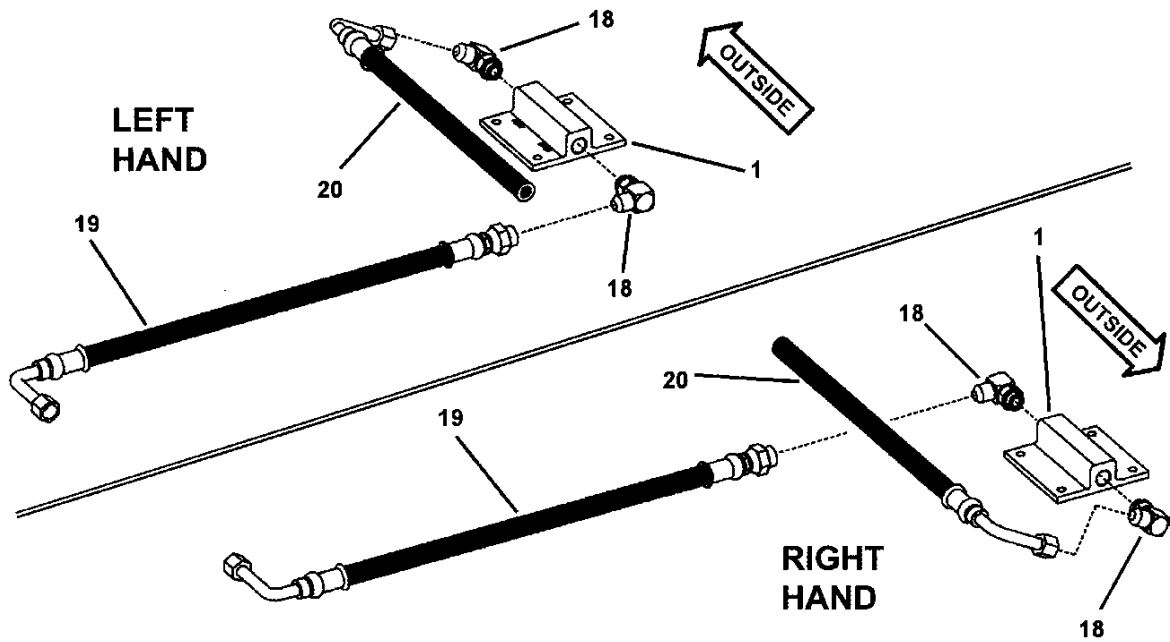


HOSE ASSEMBLY (48" & 52" DECK, SERIES 1) PT.1

Item	Part No	Qty	Description	Note
1	7059112	2	MOUNT, Oil Filter	<i>Includes Filter Item #3</i>
2	7027200	2	FITTING, Straight 1-12 UNF Thread	
3	7027164	2	FILTER, Oil	<i>Nelson P/N 85437-D</i>
4	7090815	2	SCREW, 3/8-16 x 3/4" Hex Washer Self-Tap	
5A	7075637	1	MOTOR, Hydraulic, Left Hand	<i>Includes Castle Nut & #502 Woodruff Key, 5/16 x 1"</i>
5B	7075638	1	MOTOR, Hydraulic, Right Hand	<i>Includes Castle Nut & #502 Woodruff Key, 5/16 x 1"</i>
6	7092087	8	BOLT, 1/2-13 x 6" Hex Head Cap GR5	
7	7091322	8	WASHER, 1/2" Split Lock	
8	7091316	8	NUT, 1/2-13 Hex GR B	
9	7073996	2	PLATE, Mounting	
10	7090768	6	BOLT, 1/2-13 x 1-1/2" Square Neck Carriage GR5	
11	7091325	6	NUT, 1/2-13 Hex Nyloc	
12	7059091	1	WELDMENT, Rear Crossbrace	
13	7075058	2	CONNECTOR, Straight Hydraulic (Parker # 8-10 F5OLO-S)	
14	7075059	2	CONNECTOR, 90 Degree Hydraulic (Parker # 8-10 C5OLO-S)	
15	7075049	2	HOSE, 13-3/4" Hydraulic (Parker # F436BKJJC080808-13-75)	
16	7091793	2	PIN, 9/64 x 1-1/2" Cotter	
17	7075051	2	HOSE, 17-1/2" Hydraulic (Parker # F436BKJJC5080808-17.5)	
21	7075054	2	HOSE, 6-1/2" (Parker # R836BKJ9NR080008-6.5)	
22	7075056	2	CONNECTOR, 90 Degree Hydraulic (Parker # 8-6 C5OLO-S)	
23	7075057	2	CONNECTOR, Straight Hydraulic (Parker # 8-6 F5OLO-S)	
24	7075055	4	CONNECTOR, 45 Degree Hydraulic (Parker # V5OLO-S)	
25	7090793	6	SCREW, 5/16-18 x 3/4" Hex Washer Self-Tap	

Footnotes:

HOSE ASSEMBLY (48" & 52" DECK, SERIES 1) PT.2

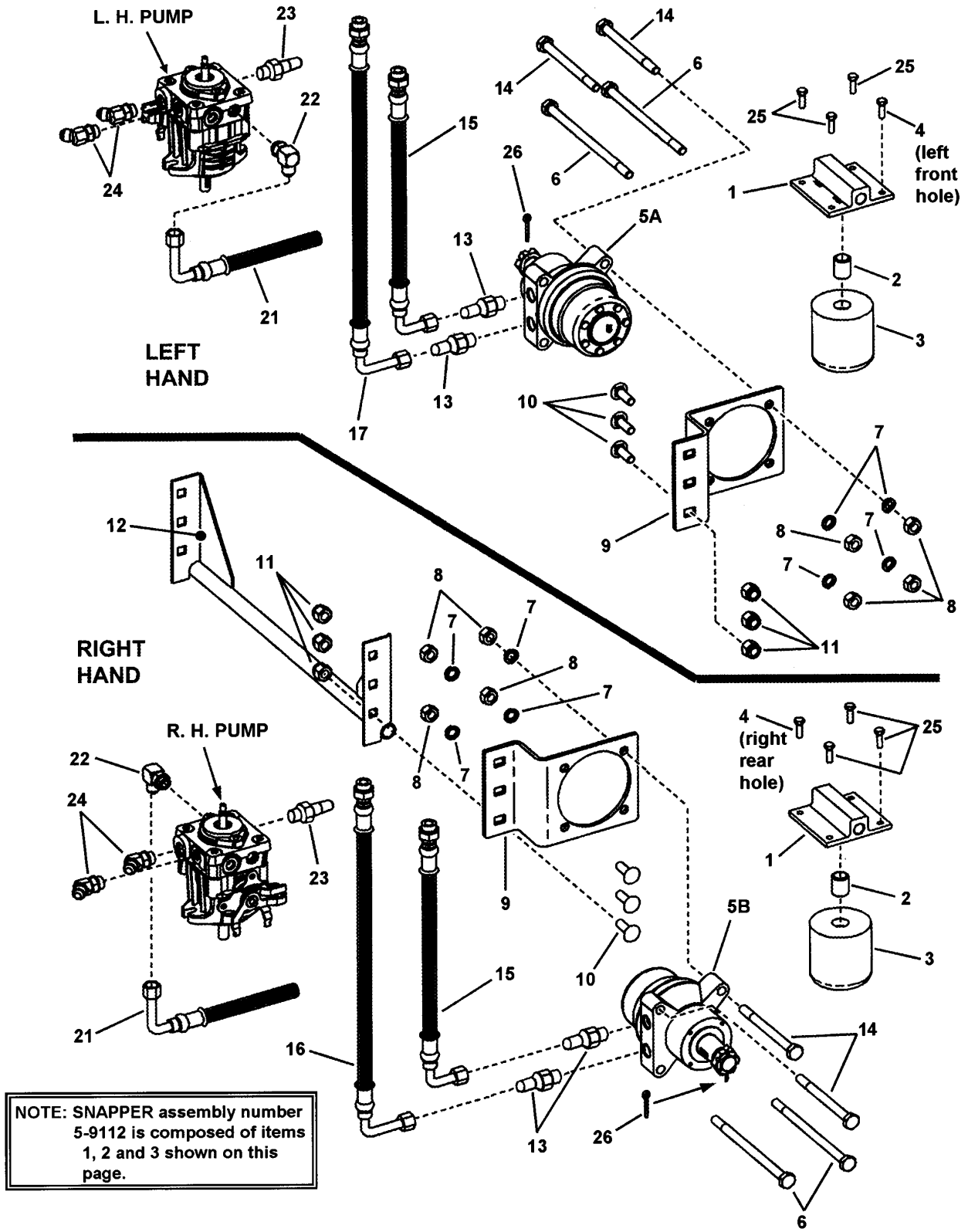


HOSE ASSEMBLY (48" & 52" DECK, SERIES 1) PT.2

Item	Part No	Qty	Description	Note
1	7075445		MOUNT, Oil Filter	<i>also shown in previous group</i>
18	7075060	4	CONNECTOR, 90 Degree Hydraulic (Parker # 8 C5OLO-S)	
19	7075052	2	HOSE, 18-1/2" (Parker R836BKJCJ9090808-18.5)	
20	7075053	2	HOSE, 12-1/4" (Parker # R836BKJ9NR080008-12.5)	

Footnotes:

HOSE ASSEMBLY (61" DECK, SERIES 1) PT.1

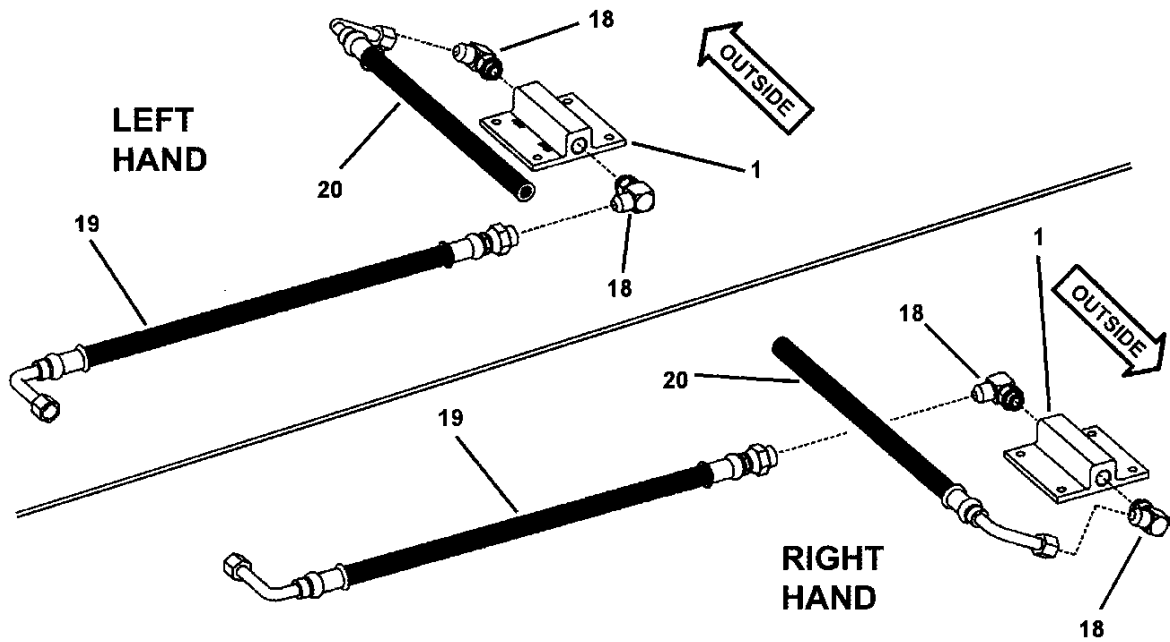


HOSE ASSEMBLY (61" DECK, SERIES 1) PT.1

Item	Part No	Qty	Description	Note
1	7059112	2	MOUNT, Oil Filter	<i>Includes Filter Item #3</i>
2	7027200	2	FITTING, Straight 1-12 UNF Thread	
3	7027164	2	FILTER, Oil	<i>Nelson P/N 85437-D</i>
4	7090815	2	SCREW, 3/8-16 x 3/4" Hex Washer Self-Tap	
5A	7075637	1	MOTOR, Hydraulic, Left Hand	<i>Includes Castle Nut & #502 Woodruff Key, 5/16 x 1"</i>
5B	7075638	1	MOTOR, Hydraulic, Right Hand	<i>Includes Castle Nut & #502 Woodruff Key, 5/16 x 1"</i>
6	7092087	4	BOLT, 1/2-13 x 6" Hex Head Cap GR5	
7	7091322	8	WASHER, 1/2" Split Lock	
8	7091316	8	NUT, 1/2-13 Hex GR B	
9	7075443	2	PLATE, Mounting	
10	7090768	6	BOLT, 1/2-13 x 1-1/2" Square Neck Carriage GR5	
11	7091325	6	NUT, 1/2-13 Hex Nyloc	
12	7059091	1	WELDMENT, Rear Crossbrace	
13	7075058	2	CONNECTOR, Straight Hydraulic (Parker # 8-10 F5OLO-S)	
14	7029355	4	BOLT, 1/2-13 x 3-3/4" Hex Head Cap	
15	7075470	2	HOSE, 15-1/2" Hydraulic (Parker # F436JCJ9080808-15.50)	
16	7075050	1	HOSE, 19-1/2" (Parker # F436BKJCJ5080808-19.5)	
17	7075051	2	HOSE, 17-1/2" Hydraulic (Parker # F436BKJCJ5080808-17.5)	
21	7075054	2	HOSE, 6-1/2" (Parker # R836BKJ9NR080008-6.5)	
22	7075056	2	CONNECTOR, 90 Degree Hydraulic (Parker # 8-6 C5OLO-S)	
23	7075057	2	CONNECTOR, Straight Hydraulic (Parker # 8-6 F5OLO-S)	
24	7075055	4	CONNECTOR, 45 Degree Hydraulic (Parker # V5OLO-S)	
25	7090793	6	SCREW, 5/16-18 x 3/4" Hex Washer Self-Tap	
26	7091793	2	PIN, 9/64 x 1-1/2" Cotter	

Footnotes:

HOSE ASSEMBLY (61" DECK, SERIES 1) PT.2

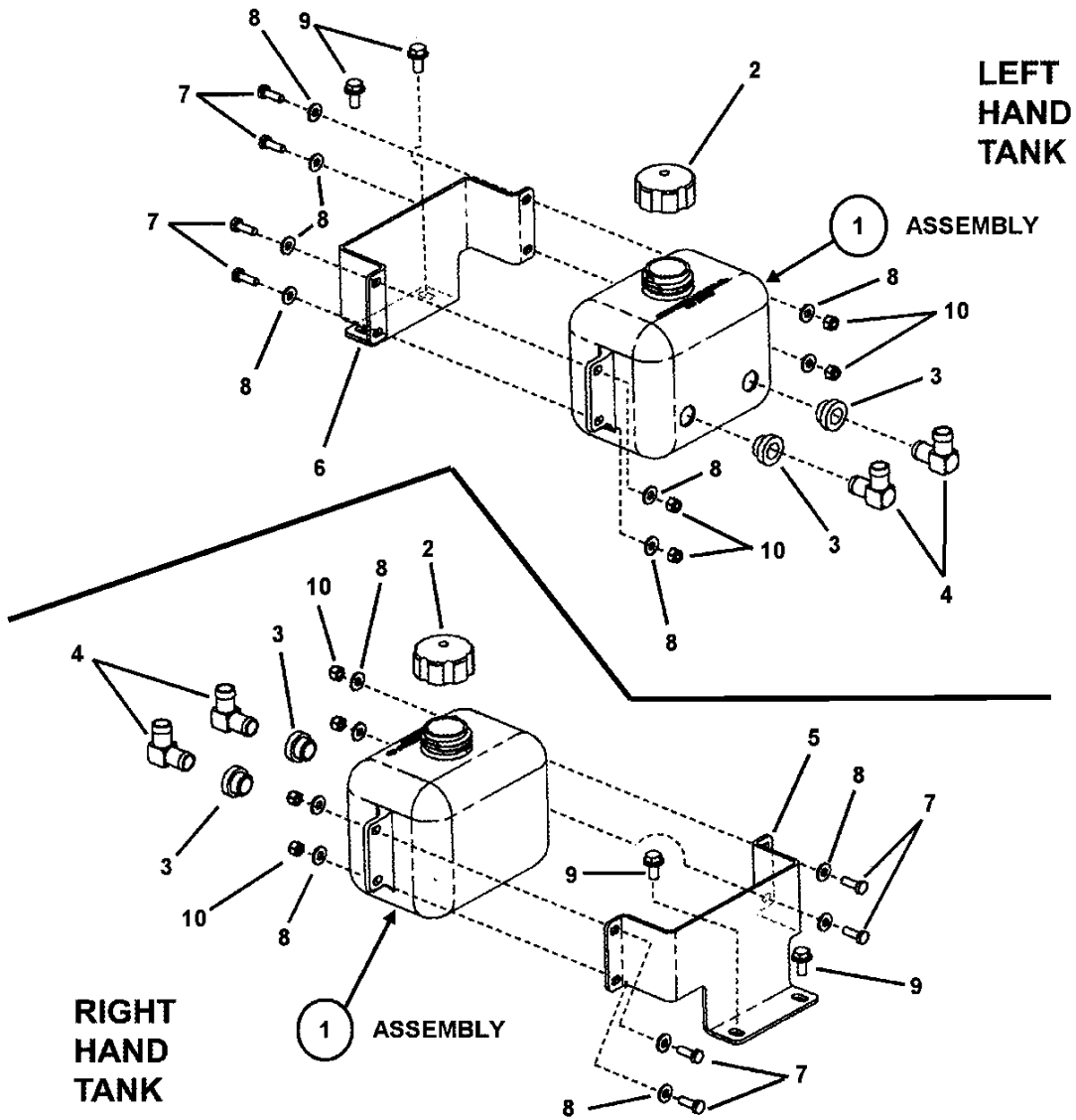


HOSE ASSEMBLY (61" DECK, SERIES 1) PT.2

Item	Part No	Qty	Description	Note
1	7075445		MOUNT, Oil Filter	<i>also shown in previous group</i>
18	7075060	4	CONNECTOR, 90 Degree Hydraulic (Parker # 8 C5OLO-S)	
19	7075052	2	HOSE, 18-1/2" (Parker R836BKJCJ9090808-18.5)	
20	7075053	2	HOSE, 12-1/4" (Parker # R836BKJ9NR080008-12.5)	

Footnotes:

HYDRO RESERVOIR ASSEMBLY

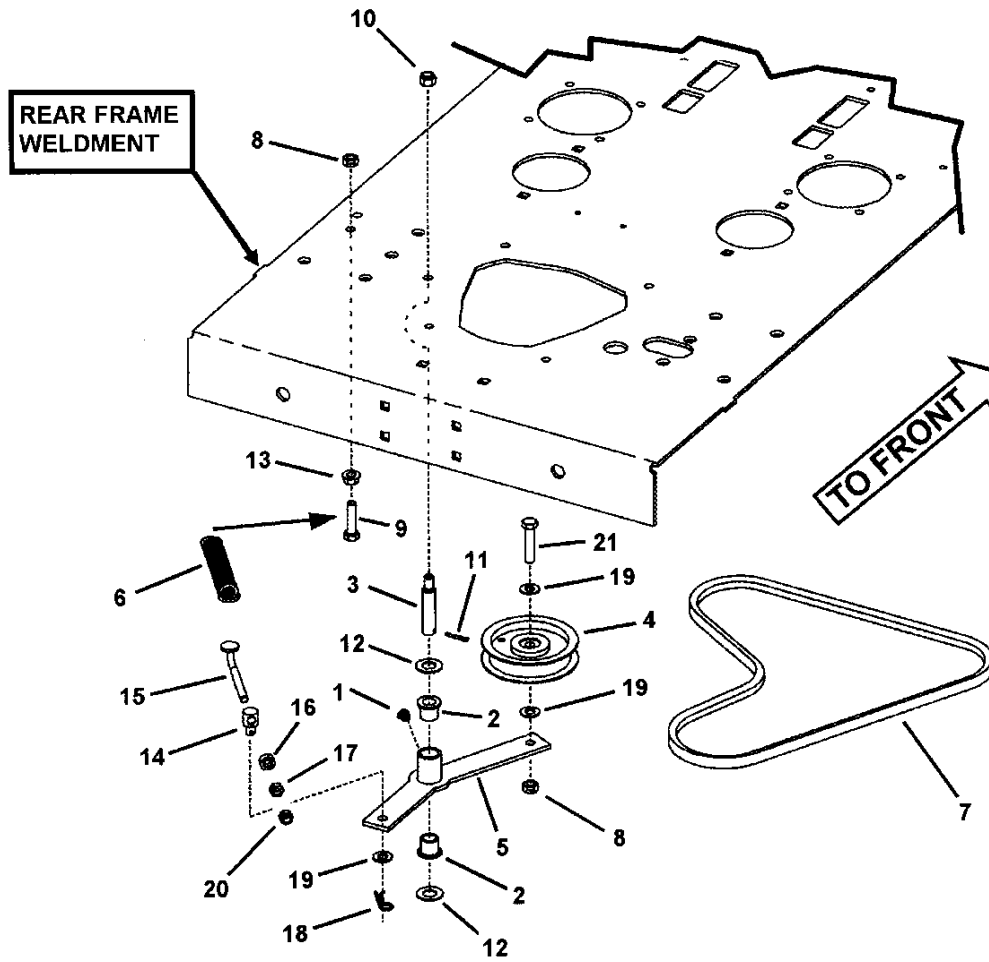


HYDRO RESERVOIR ASSEMBLY

Item	Part No	Qty	Description	Note
1	7059088	2	ASSY, Hydraulic Tank (Incl. tank, p/n 74002 and indented items below)	
2	7075289	1	CAP, Vented (Kelck p/n H4550D)	
3	7075687	2	GROMMET (was 12337)	
4	7073238	2	FITTING, #8 Elbox	
5	7073999	1	BRACKET, R.H. Hydro Tank Mount	
6	7074001	1	BRACKET, L.H. Hydro Tank Mount	
7	7027230	8	SCREW, 1/4-20 x 1" Hex Head Cap GR5 (or 27230)	Was 90548
8	7091294	16	WASHER, 1/4" Flat	
9	7090361	4	SCREW, 5/16-18 x 5/8" Hex Washer Self-Tap	
10	7091603	8	NUT, 1/4-20 Hex Nyloc	
11	7012080	5	CABLE TIE, 7" Long (not shown)	

Footnotes:

HYDRO IDLER ASSEMBLY

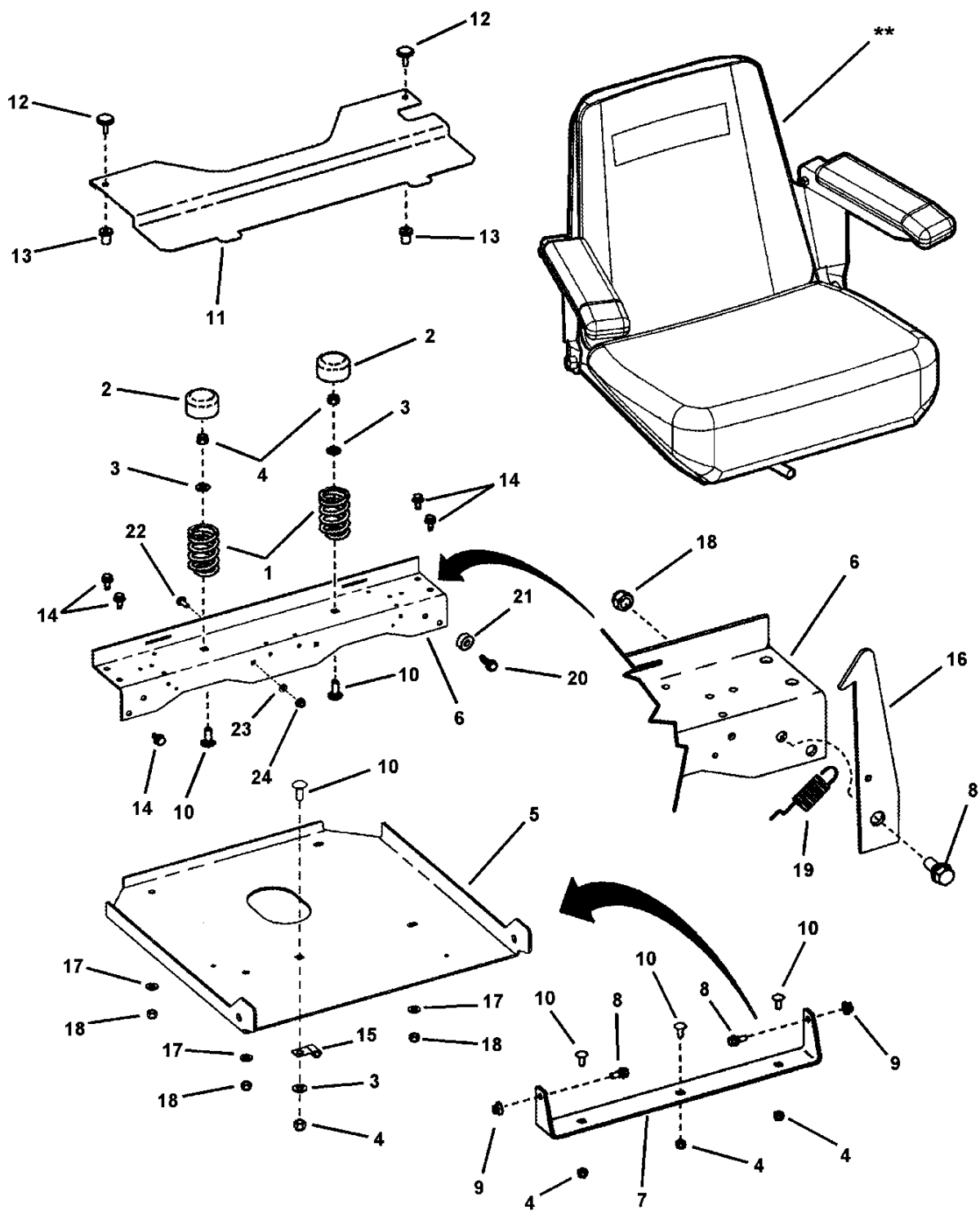


HYDRO IDLER ASSEMBLY

Item	Part No	Qty	Description	Note
1	7014669	1	FITTING, 3/16" Straight Lube	
2	7014409	2	BUSHING, 9/16" I.D.	
3	7035816	1	PIN, Idler Arm (3/8-24 Thread)	
4	7018574	1	PULLEY, Flat Idler 4.12" (Backside Idler)	
5	7059094	1	WELDMENT, Idler Arm	
6	7073992	1	SPRING, Extension	
7	7075109	1	BELT, Hydro Drive (HA Section, 47.5 Effective Length)	<i>used on Series 0</i>
--	7075109	1	BELT, Hydro Drive (5L Section, 47.5 Effective Length)	<i>Was 75626 (used on Series 1)</i>
8	7091585	2	NUT, 3/8-16 Hex Center Lock	
9	7091497	2	SCREW, 3/8-16 x 1-1/2 Hex Head Cap GR5	
10	7091518	1	NUT, 3/8-24 Hex Nyloc	
11	7091598	1	PIN, 1/8 x 3/4" Cotter	
12	7091804	2	WASHER, 9/16" Flat	
13	7091619	1	NUT, 3/8-16 Hex Flange Lock	
14	7075078	1	SWIVEL, Adjustable	
15	7028728	1	ADJUSTER, Chain (5/16-18 Thread)	
16	7028620	1	SPACER, .340 I.D. x .63 O.D. x .310 Thick	
17	7091511	1	NUT, 5/16-18 Hex, GR5 or B	
18	7091503	1	HAIR PIN, 3/32 x 1-1/2"	
19	7090122	3	WASHER, 3/8" Flat SAE	
20	7091298	1	NUT, 5/16-18 Hex Nyloc	
21	7091553	1	SCREW, 3/8-16 x 1-3/4" Hex Head Cap GR5	

Footnotes:

SEAT ASSEMBLY (SERIES 0)

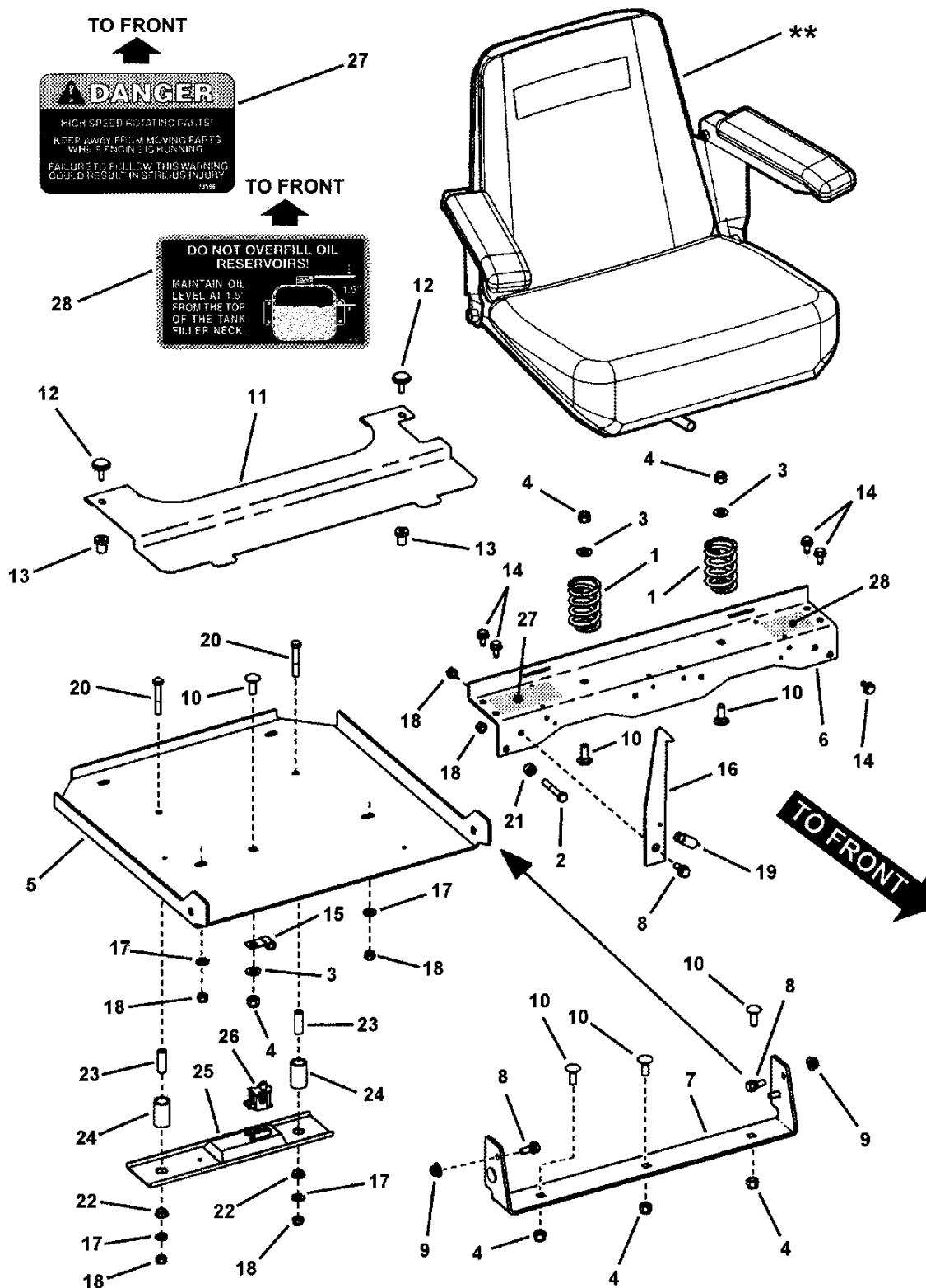


SEAT ASSEMBLY (SERIES 0)

Item	Part No	Qty	Description	Note
--	7074771	1	SEAT ASSY (Milsco p/n S673074AB; order parts from 414-410-3942)	<i>(Incl. angle brackets, seat pan, cushions, flip-up armrests, adjusters w/lock & seat switch)</i>
1	7074218	2	SPRING, Compression- Seat Support	
2	7074328	2	COVER, Seat Support Spring	
3	7090122	2	WASHER, 3/8" Flat	
4	7091299	6	NUT, 3/8-16 Nyloc	
5	7074674	1	SEAT PAN	
6	7074673	1	CROSSMEMBER, Seat	
7	7074675	1	PIVOT BRACKET, Seat Hinge	
8	7015761	2	SHOULDER BOLT, 5/16-18	
9	7090951	2	NUT, 5/16-18 Large Flange Hex Center Lock	
10	7091640	6	BOLT, 3/8-16 x 1" Square Neck Carriage GR5	
11	7074740	1	GUARD, Fan	
12	7023341	2	KNOB, 1/4-20 x 3/4" Thread	
13	7091909	2	WELL-NUT, 1/4-20 x 53/64"	
14	7090361	6	SCREW, 5/16-18 x 5/8" Hex Washer Self-Tap	
15	7035638	1	CLIP, Open J 3/8 Cushioned	
16	7075304	1	LATCH, Seat	
17	7090188	4	WASHER, 5/16" Flat	
18	7091298	5	NUT, 5/16-18 Hex Nyloc	
19	7026292	1	SPRING, Extension	
20	7091541	1	SCREW, 5/16-18 x 3/4" Hex Washer self-Tap	
21	7028620	1	SPACER, .340 I.D.x .63 O.D. x .310 Thick	
22	7091530	1	BOLT, 1/4-20 x 3/4" Short Neck Carriage, GR5	
23	7012485	1	RETAINER, 1/4" Bolt	
24	7091584	1	NUT, 1/4-20 Hex Flange Lock	

Footnotes:

SEAT ASSEMBLY (SERIES 1)

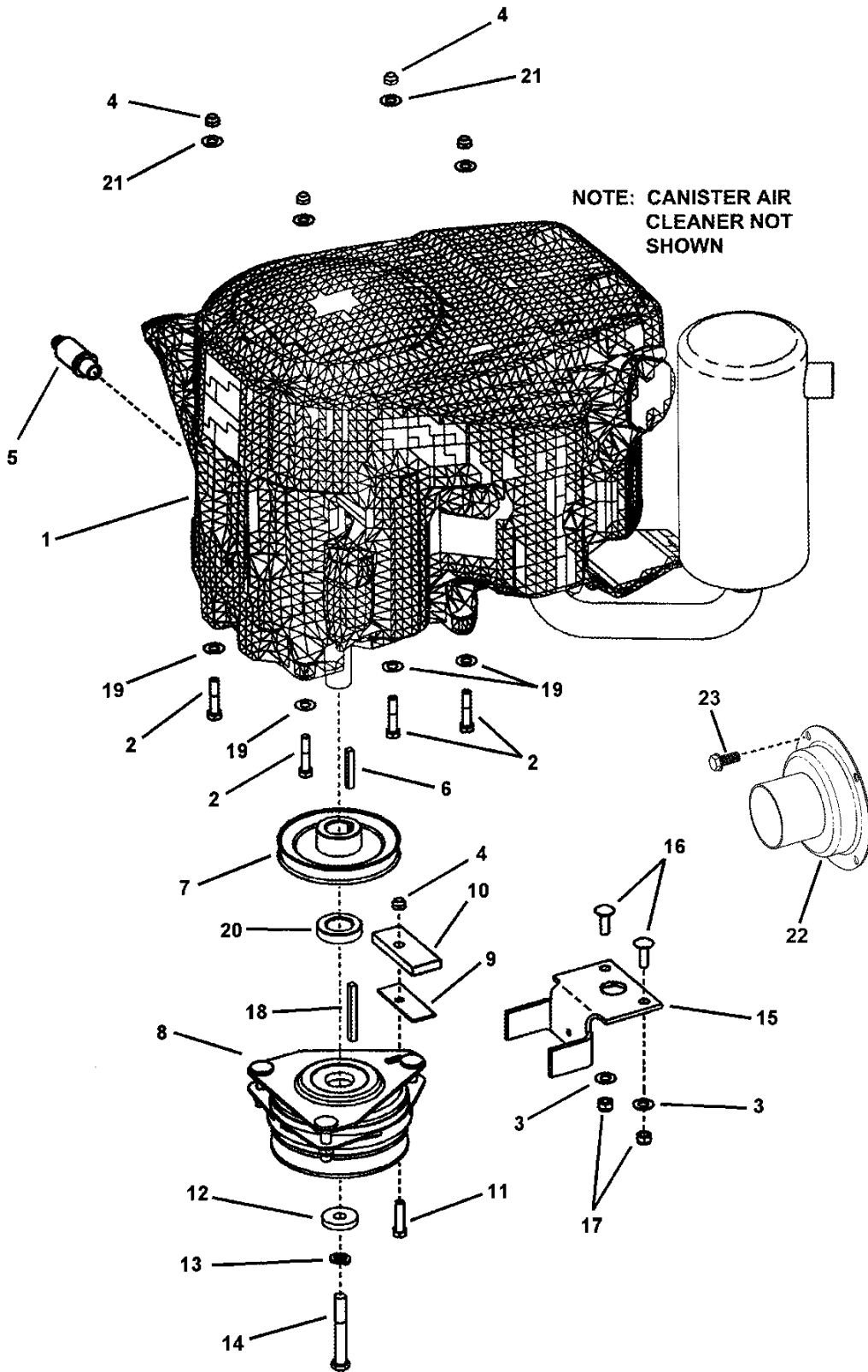


SEAT ASSEMBLY (SERIES 1)

Item	Part No	Qty	Description	Note
--	7075417	1	SEAT ASSY(Ferris p/n 177516 order parts from Seats, Inc. 1-800-767-3287)	<i>(Incl. angle brackets, seat pan, cushions, flip-up armrests, adjusters w/lock & seat switch)</i>
--	7029338	1	SEAT ASSY (Seats Inc. p/n 179035VD310 Silver/Black (not shown))	<i>used on NZM27611KH only</i>
1	7074218	2	SPRING, Compression- Seat Support	
2	7091541	1	SCREW, 5/16-18 x 3/4" Hex Washer Self-Tap	<i>Was 90368</i>
3	7090122	3	WASHER, 3/8" Flat	
4	7091299	6	NUT, 3/8-16 Nyloc	
5	7075419	1	SEAT PAN	
6	7074673	1	CROSSMEMBER, Seat	
7	7058546	1	WELDMENT, Hinge Bracket	
8	7015761	2	SHOULDER BOLT, 5/16-18	
9	7090951	2	NUT, 5/16-18 Large Flange Hex Center Lock	
10	7091640	7	BOLT, 3/8-16 x 1" Square Neck Carriage GR5	
11	7074740	1	GUARD, Fan	
12	7023341	2	KNOB, 1/4-20 x 3/4" Thread	
13	7091909	2	WELL-NUT, 1/4-20 x 53/64"	
14	7090361	5	SCREW, 5/16-18 x 5/8" Hex Washer Self-Tap	
15	7035638	1	CLIP, Open J 3/8 Cushioned	
16	7075616	1	LATCH, Seat	
17	7090188	6	WASHER, 5/16" Flat	
18	7091298	7	NUT, 5/16-18 Hex Nyloc	
19	7026292	1	SPRING, Extension	
20	7027174	2	SCREW, 5/16-18 x 2" Hex Head Cap GR5	
21	7028620	1	SPACER, .340 I.D.x .63 O.D. x .310 Thick	
22	7022793	2	BUSHING, Seat	
23	7022794	2	SPACER	
24	7036492	2	SPRING, Compression	
--	7071767	2	SPRING, Compression	<i>used on NZM27611KH only</i>
25	7033362	1	HOLDER, Seat Switch	
26	7023354	1	SWITCH, Seat, NC	
27	7073596	1	DECAL, Warning	
28	7075433	1	DECAL, Oil Reservoir Overfill Warning	
29	7026249	2	SPACER, Washer (not shown)	<i>used on NZM27611KH only</i>

Footnotes:

ENGINE SUB-ASSEMBLY



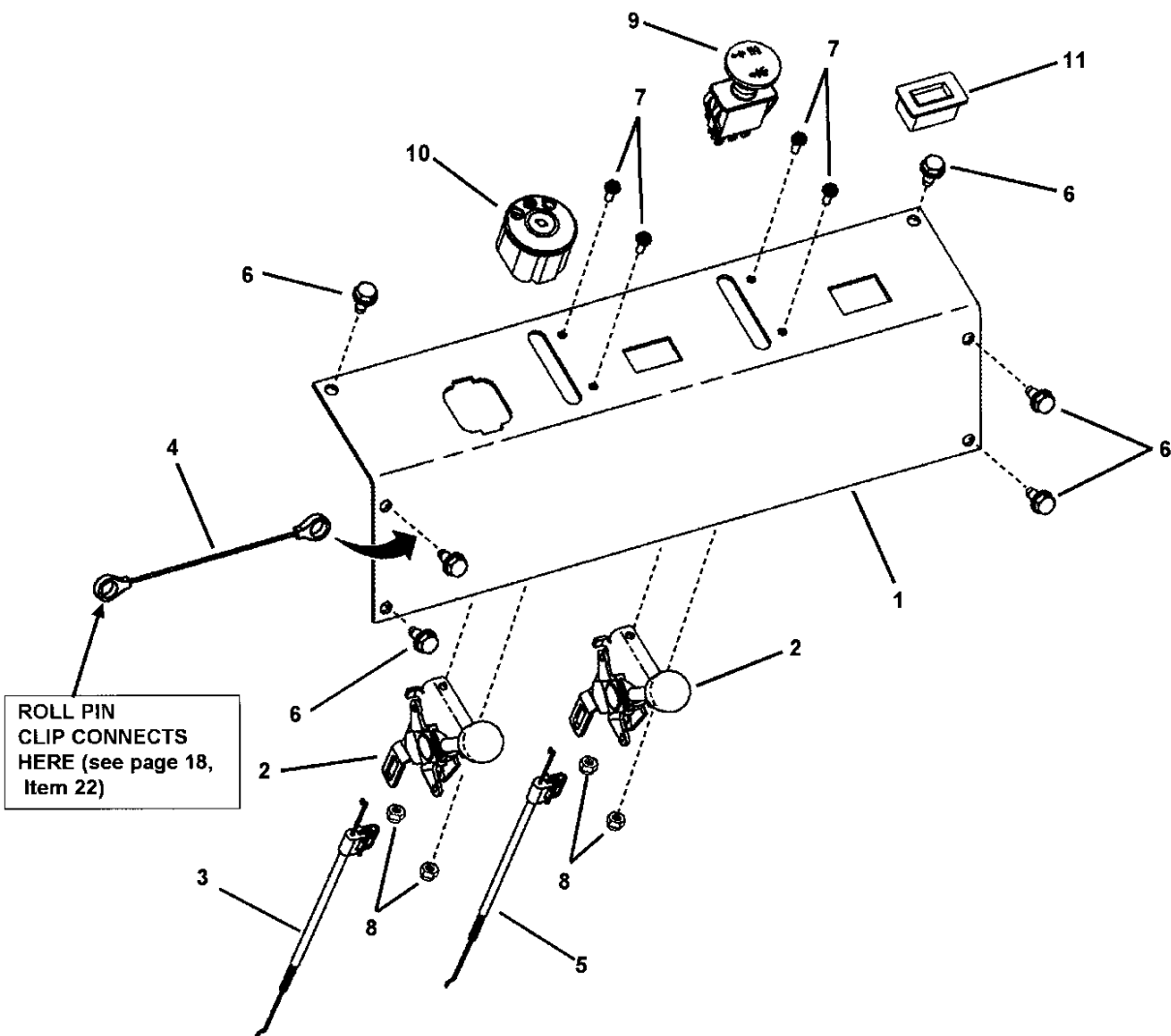
ENGINE SUB-ASSEMBLY

Item	Part No	Qty	Description	Note
1	--	1	ENGINE, 19 HP Kawasaki (Model FH601V-BS20)	
--	--	1	ENGINE, 21 HP Kawasaki (Model FH641V-BS01 or AS17)	
--	--	1	ENGINE, 25 HP Kawasaki (Model FH721V-AS29)	
--	--	1	ENGINE, 27 HP Kohler (Model CV740S)	
2	7091540	4	SCREW, 5/16-18 x 1-1/2" Hex Head Cap GR5	
3	7013847	2	RETAINER, 3/8" Bolt	
4	7091706	5	NUT, 5/16-18 Hex Top Lock GR B	
5	7027972	1	ASSEMBLY, Oil Valve	
6	7012757	1	KEY, 1/4" Square x 1-1/4" Long	
7	7059099	1	PULLEY, Engine, Hydro Drive	<i>used on Series 0 & NZM27611KH</i>
--	7075625	1	PULLEY, Engine, Hydro Drive	<i>used on Series 1, 19 & 21 HP Models</i>
8	7075672	1	CLUTCH, Electric (Ogura Model #GT2-RM01)	<i>Was 75081</i>
--	7075672	1	CLUTCH, Electric (Ogura Model #GT2.5-RM01)	<i>used on Series 1, 61" Deck Models</i>
9	7034448	1	WASHER, Rectangular Steel	
10	7029704	1	BUMPER, Electric Clutch	
11	7091527	1	SCREW, 5/16-18 x 1-1/4" Hex Head Cap GR5	
12	7075082	1	WASHER, .468 x 1.85 x .25 Flat	
13	7091301	1	WASHER, 7/16" Split Lock	
14	7027266	1	SCREW, 7/16-20 x 3" Hex Head Cap GR5 (w/Nyloc Patch)	
15	7034829	1	BRACKET, Clutch	
16	7091640	2	BOLT, 3/8-16 x 1" Square Neck Carriage GR5	
17	7091299	2	NUT, 3/8-16 Hex Nyloc	
18	7017033	1	KEY, 1/4" Square x 2-1/4" Long	
19	7011791	4	RETAINER, 5/16" Bolt	
20	7075084	1	SPACER, Ogura Clutch	
21	7090188	4	WASHER, 5/16" Flat	
22	7075734	1	OUTLET, Muffler	<i>used on NZM27611KH only</i>
23	7091581	4	SCREW, #8-18 x 1/2" Hex Washer Self-Tap	<i>used on NZM27611KH only</i>
24	7092044	2	NUT, M8 x 1.25 Hex	<i>used on NZM27611KH only (not shown)</i>
25	7091315	2	WASHER, 5/16" Split Lock	<i>used on NZM27611KH only (not shown)</i>

Footnotes:

Note** Purchase engine components directly from engine manufacturer dealer.

CONTROL PANEL ASSEMBLY

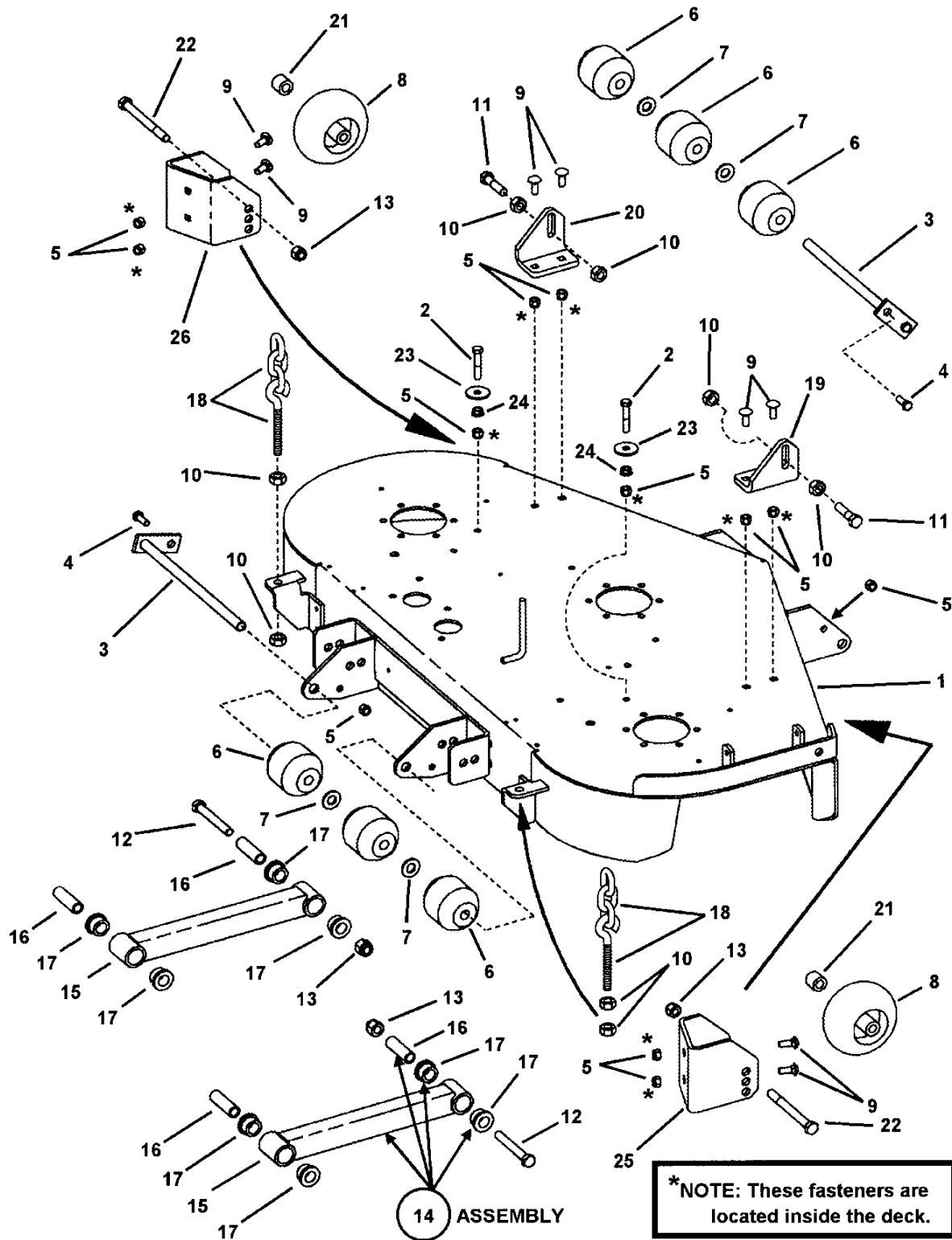


CONTROL PANEL ASSEMBLY

Item	Part No	Qty	Description	Note
1	7074676	1	CONTROL PANEL	
2	7074801	2	CONTROL LEVER, Throttle/Choke	
3	7074804	1	CONTROL CABLE, Throttle	
4	7075086	1	STRAP, Tether	
5	7075046	1	CONTROL CABLE, Choke	
6	7090361	9	SCREW, 5/16-18 x 5/8" Hex Washer Self-Tap	
7	7091240	2	SCREW, #10-32 x 5/8" Hex Washer Self-Tap	<i>Note: These items are also shown on the Electrical Components page.</i>
8	7090376	2	NUT, #10-32 Nyloc	<i>Note: These items are also shown on the Electrical Components page.</i>
9	7075132	1	SWITCH, PTO, Yellow	<i>Note: These items are also shown on the Electrical Components page.</i>
10	7072684	1	SWITCH, Ignition	<i>Note: These items are also shown on the Electrical Components page.</i>
11	7074796	1	HOUR METER w/Flash Alerts	<i>Note: These items are also shown on the Electrical Components page.</i>

Footnotes:

48" CUTTING DECK ASSEMBLY PT.1



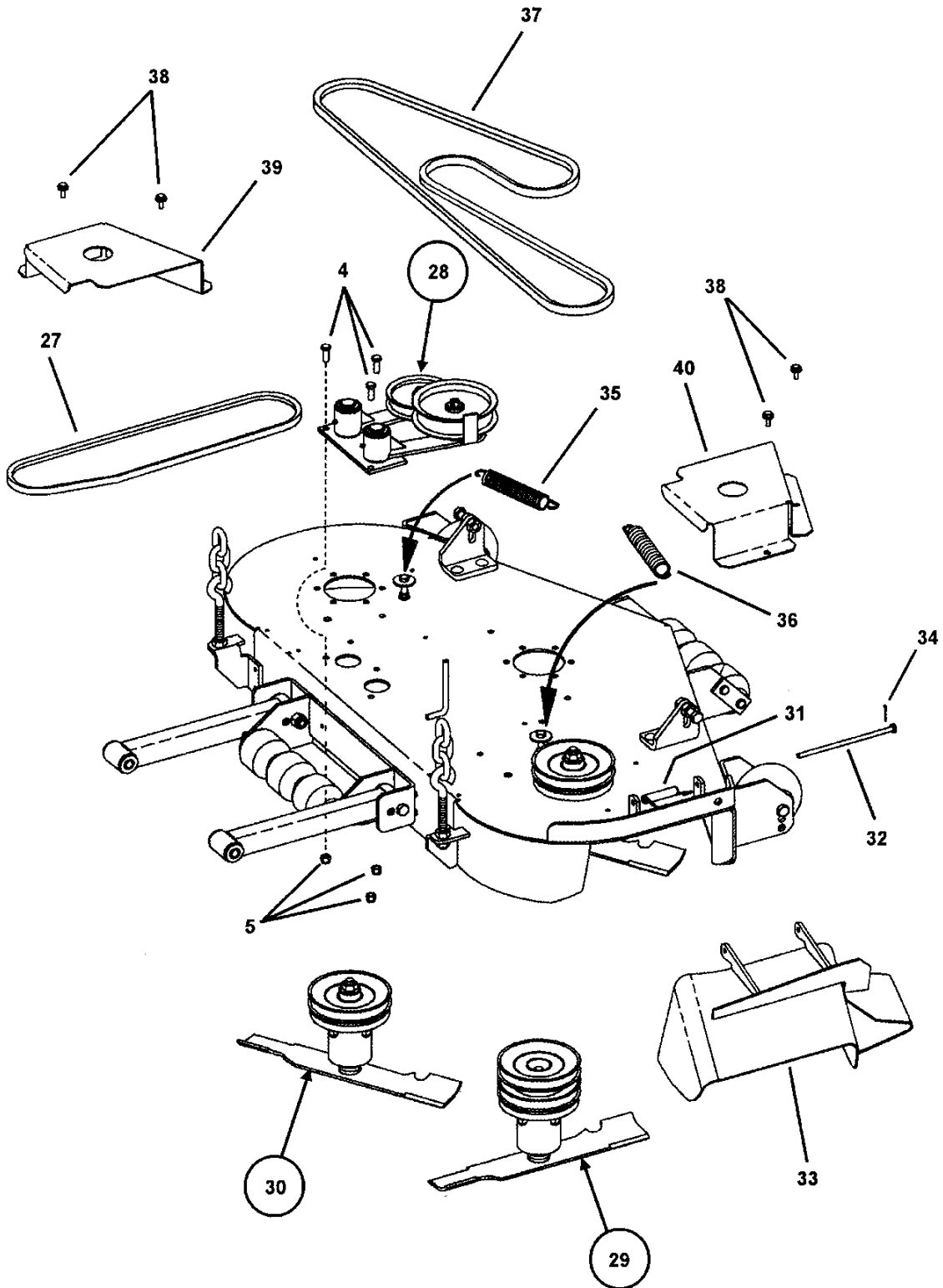
***NOTE: These fasteners are located inside the deck.**

48" CUTTING DECK ASSEMBLY PT.1

Item	Part No	Qty	Description	Note
1	7059475	1	WELDMENT, 48" Deck	<i>Deck Group 58328</i>
2	7091305	2	SCREW, 3/8-16 x 2" Hex Head Cap, GR5	
3	7027327	2	WELDMENT Pivot Pin	
4	7091304	2	SCREW, 3/8-16 x 1" Hex Head Cap, GR5	
5	7091299	12	NUT, 3/8-16 Hex Nyloc	
6	7073142	6	ROLLER Low Density Polyethylene	
7	7027344	4	WASHER, 5/8" Flat SAE	
8	7029264	2	GAUGE WHEEL, Polyethylene	
9	7091640	8	BOLT, 3/8-16 x 1" Square Neck Carriage GR 5	
10	7091316	8	NUT, 1/2-13 Hex, GR B	
11	7090543	2	SCREW, 1/2-13 x 2" Hex Head Cap, GR5	
12	7029355	2	BOLT, 1/2-13 x 3-3/4" Hex Head Cap, GR5	
13	7091922	4	NUT, 1/2-13 Hex Light Nyloc	
14	--	2	ASSEMBLY, Pusher Bar (Includes items 15-17)	
15	7059108	1	WELDMENT, Pusher Bar	
16	7029263	2	SLEEVE - Suspension	
17	7029258	4	BUSHING - Suspension	
18	7053562	2	ASSEMBLY, Chain & Eyebolt (see Front Frame Assy page)	<i>see Front Frame Assembly Pt. 2 page, item 63</i>
19	7074684	1	BRACKET, Front Deck Lift, Right Hand (Series 0)	
--	7075580	1	BRACKET, Front Deck Lift, Right Hand (Series 1)	
20	7074683	1	BRACKET, Front Deck Lift, Left Hand (Series 0)	
--	7075581	1	BRACKET, Front Deck Lift, Left Hand (Series 1)	
21	7036456	2	SPACER, Gauge Wheel	
22	7091822	2	BOLT, 1/2-13 x 5" Hex Head	
23	7091331	2	WASHER, .406 x 1.50 x .120 Flat	
24	7091619	2	NUT, 3/8-16 Hex Flange Lock	
25	7074789	1	WHEEL BRACKET Front Right	<i>(replaces 75008)</i>
26	7074790	1	WHEEL BRACKET Front Left	<i>(replaces 75009)</i>

Footnotes:

48" CUTTING DECK ASSEMBLY PT.2

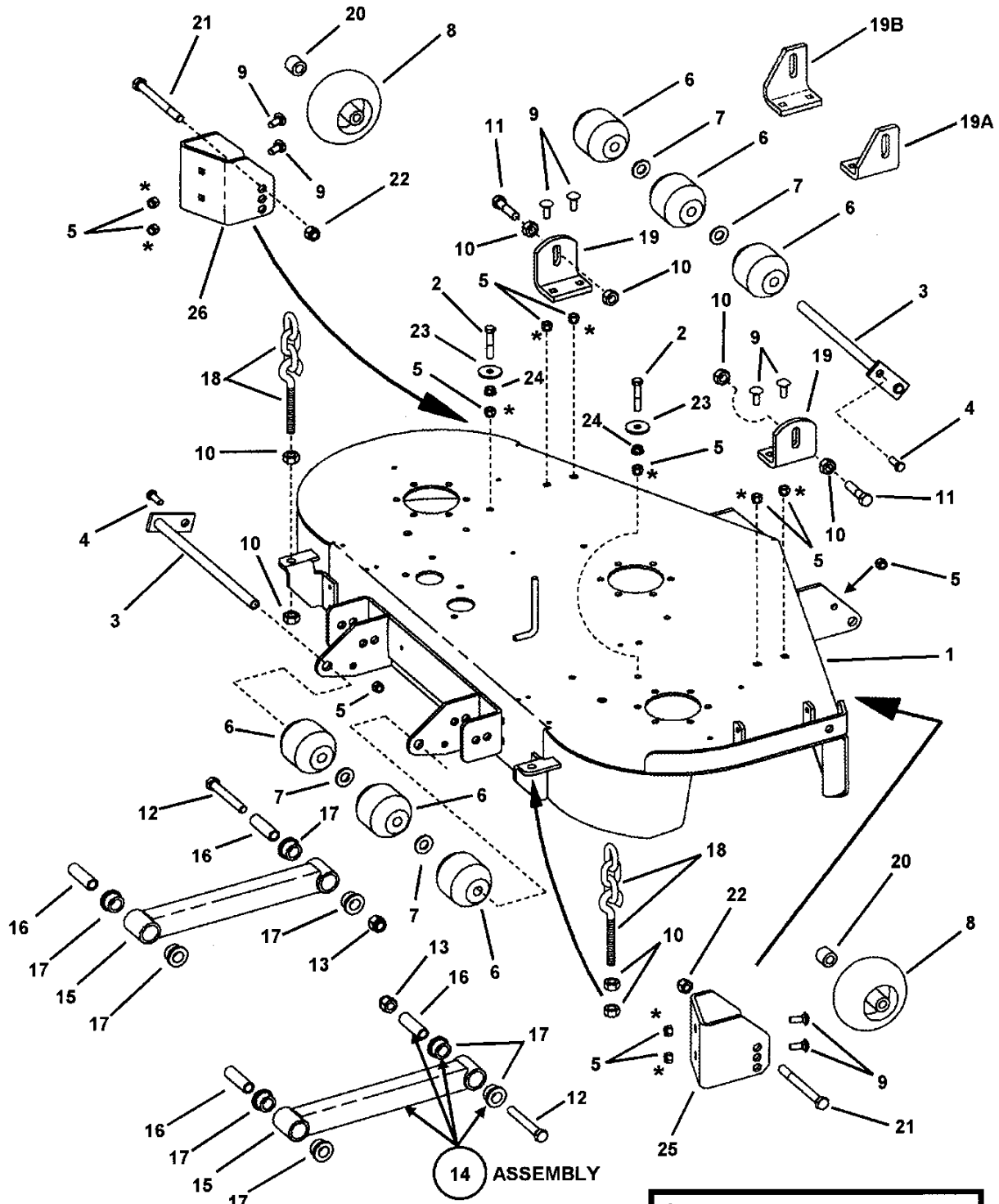


48" CUTTING DECK ASSEMBLY PT.2

Item	Part No	Qty	Description	Note
4	7091304	3	SCREW, 3/8-16 x 1" Hex Head Cap, GR5	
5	7091299	3	NUT, 3/8-16 Hex Nyloc	
27	7075083	1	BELT, Primary (HB Section, 91.30" effective length)	<i>Deck Group 58328</i>
28	--	1	ASSEMBLY, Idler (see breakdown on Idler Assy page)	
29	--	1	ASSEMBLY, Center Spindle (see breakdown on Deck Spindle Assy page)	
30	--	2	ASSEMBLY, Spindle (see breakdown on Deck Spindle Assy page)	
31	7027950	1	SPRING, Chute	
32	7029277	1	PIN, Chute Hinge	
33	7058873	1	WELDMENT, Chute Deflector	
34	7091313	1	PIN, 3/32 x 1" Cotter	
35	7029278	1	SPRING, Idler (1.17" O.D. x 7.5" long)	
36	7072915	1	SPRING, Idler Primary (1.25" O.D. x 10" long)	
37	7029261	1	V-BELT, Secondary- 48" (HB Section, 109.75" effective length)	
38	7090361	4	SCREW, 5/16-18 x 5/8" Hex Washer Self-Tap	
39	7074571	1	BELT COVER, Left Hand	
40	7074552	1	BELT COVER, Right Hand	

Footnotes:

52" CUTTING DECK ASSEMBLY PT.1



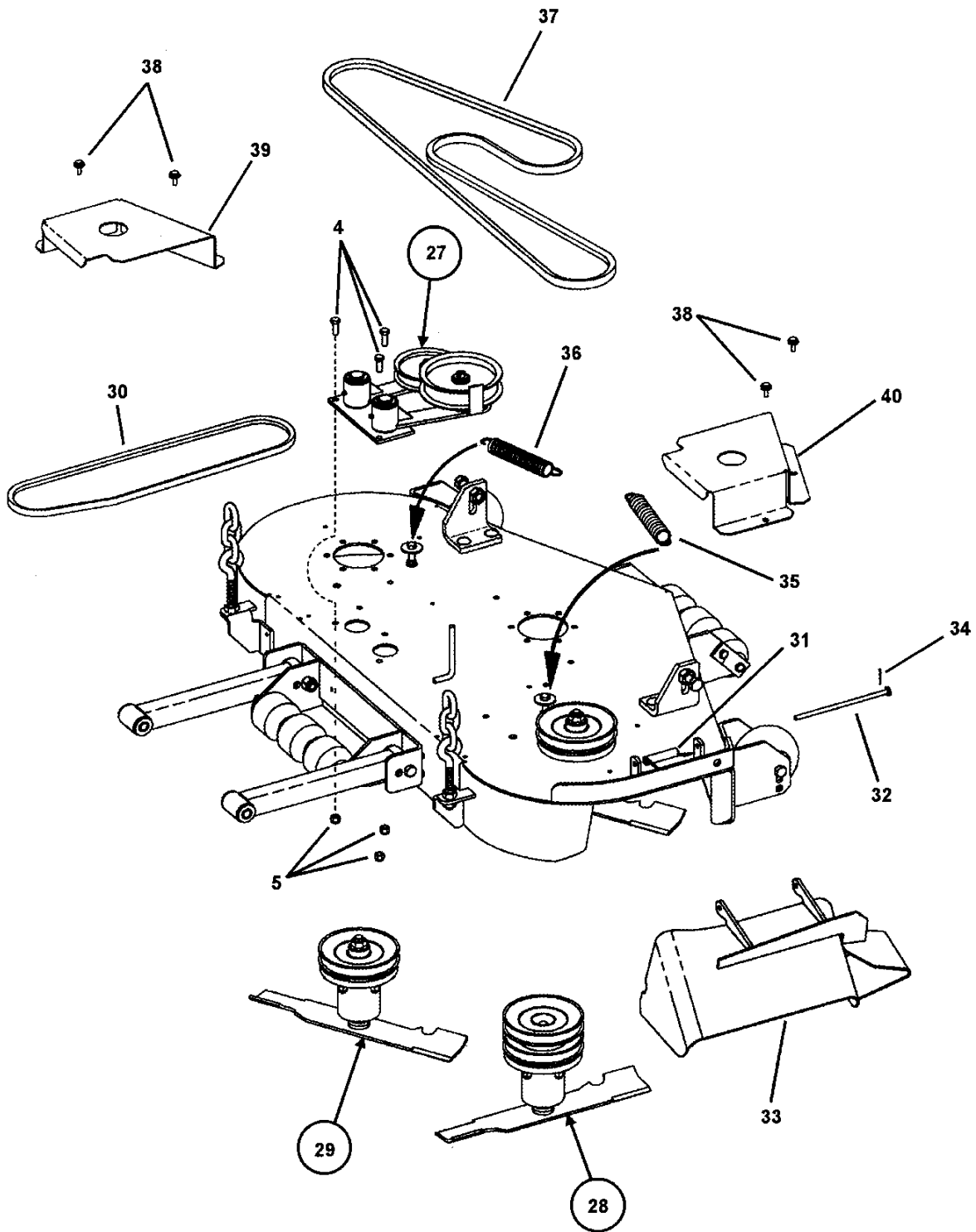
***NOTE: These fasteners are located inside the deck.**

52" CUTTING DECK ASSEMBLY PT.1

Item	Part No	Qty	Description	Note
1	7059374	1	WELDMENT, 52" Deck	<i>Deck Group 58327</i>
2	7091305	2	SCREW, 3/8-16 x 2" Hex Head Cap, GR5	
3	7027327	1	WELDMENT Pivot Pin	
4	7091304	2	SCREW, 3/8-16 x 1" Hex Head Cap, GR5	
5	7091299	12	NUT, 3/8-16 Hex Nyloc	
6	7073142	6	ROLLER Low Density Polyethylene	
7	7027344	4	WASHER, 5/8" Flat SAE	
8	7029264	4	GAUGE WHEEL, Polyethylene	
9	7091640	12	BOLT, 3/8-16 x 1" Square Neck Carriage GR 5	
10	7091316	8	NUT, 1/2-13 Hex, GR B	
11	7090543	2	SCREW, 1/2-13 x 2" Hex Head Cap, GR5	
12	7029355	2	BOLT, 1/2-13 x 3-3/4" Hex Head Cap, GR5	
13	7091922	2	NUT, 1/2-13 Hex Light Nyloc	
14	--	2	ASSEMBLY, Pusher Bar (Includes items 15-17)	
15	7059108	1	WELDMENT, Pusher Bar	
16	7029263	2	SLEEVE - Suspension	
17	7029258	4	BUSHING - Suspension	
18	7053562	2	ASSEMBLY, Chain & Eyebolt (see Front Frame Assy page, item 63)	
19	7074569	2	BRACKET, Front Deck Lift	<i>used on Series 0</i>
19A	7075582	1	BRACKET, Front Deck Hanger R. H.	<i>used on Series 1</i>
19B	7075583	1	BRACKET, Front Deck Hanger L. H.	<i>used on Series 1</i>
20	7036456	4	SPACER, Gauge Wheel	
21	7091822	4	BOLT, 1/2-13 x 5" Hex Head	
22	7091922	4	NUT, 1/2-13 Hex Light Nyloc	
23	7091331	2	WASHER, .406 x 1.50 x .120 Flat	
24	7091619	2	NUT, 3/8-16 Hex Flange Lock	
25	7074789	1	WHEEL BRACKET Front Right	
26	7074790	1	WHEEL BRACKET Front Left	

Footnotes:

52" CUTTING DECK ASSEMBLY PT.2

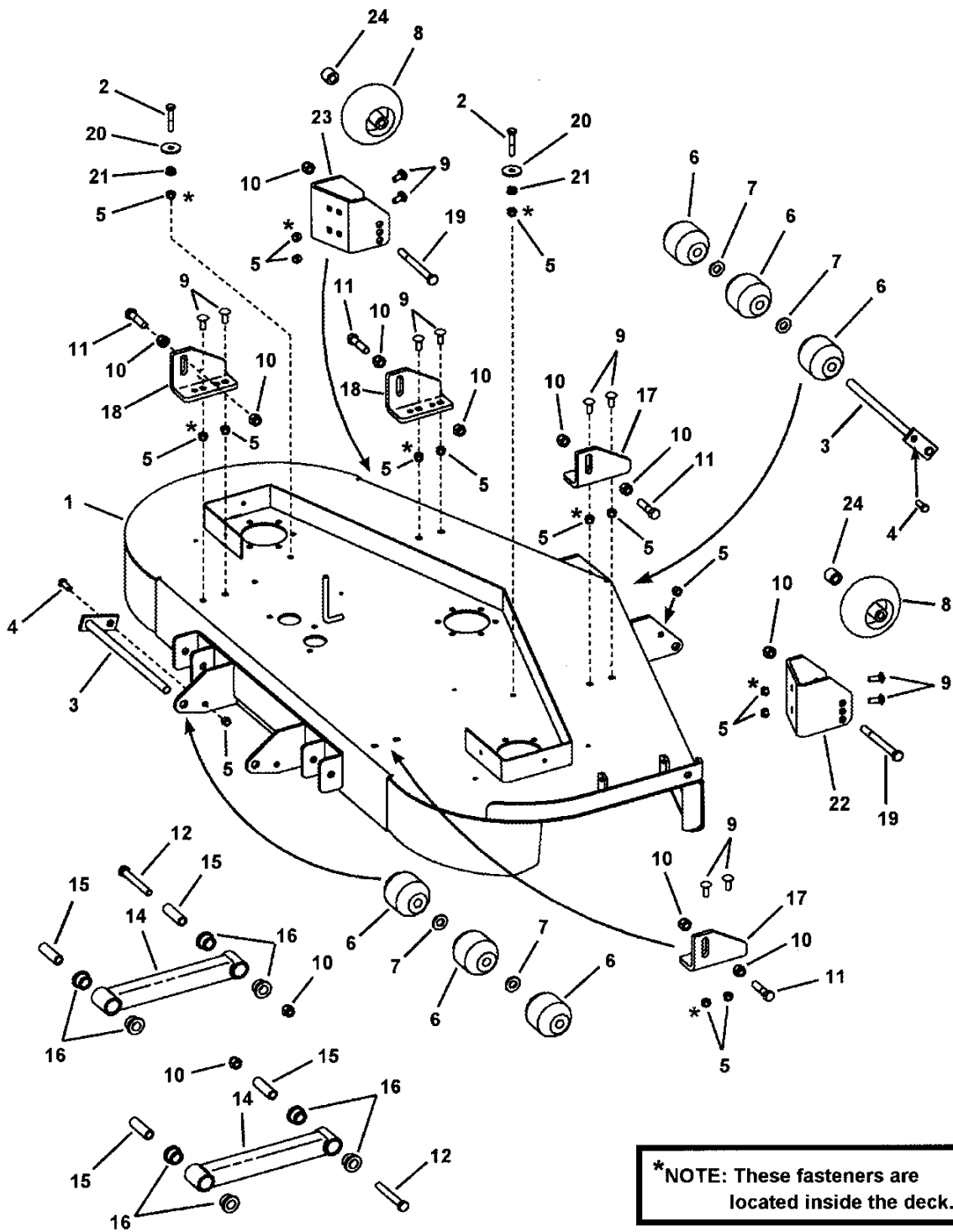


52" CUTTING DECK ASSEMBLY PT.2

Item	Part No	Qty	Description	Note
4	7091304	3	SCREW, 3/8-16 x 1" Hex Head Cap, GR5	
5	7091299	3	NUT, 3/8-16 Hex Nyloc	
27	--	1	ASSEMBLY, Idler (see breakdown on Idler Assy page)	<i>Deck Group 58327</i>
28	--	1	ASSEMBLY, Center Spindle (see breakdown on Deck Spindle Assy page)	
29	--	2	ASSEMBLY, Spindle (see breakdown on Deck Spindle Assy page)	
30	7075083	1	BELT, Primary (HB Section, 91.30" effective length)	
31	7027950	1	SPRING, Chute	
32	7029277	1	PIN, Chute Hinge	
33	7044806	1	WELDMENT, Chute Deflector (52" Euro)	
34	7091313	1	PIN, 3/32 x 1" Cotter	
35	7072915	1	SPRING, Idler Primary (1.25" O.D. x 10" long)	
36	7029278	1	SPRING, Idler (1.17" O.D. x 7.5" long)	
37	7029266	1	V-BELT, Secondary- 52" (HB Section, 116.30" effective length)	
38	7090361	4	SCREW, 5/16-18 x 5/8" Hex Washer Self-Tap	
39	7074571	1	BELT COVER, Left Hand	
40	7074552	1	BELT COVER, Right Hand	

Footnotes:

61" CUTTING DECK ASSEMBLY PT.1



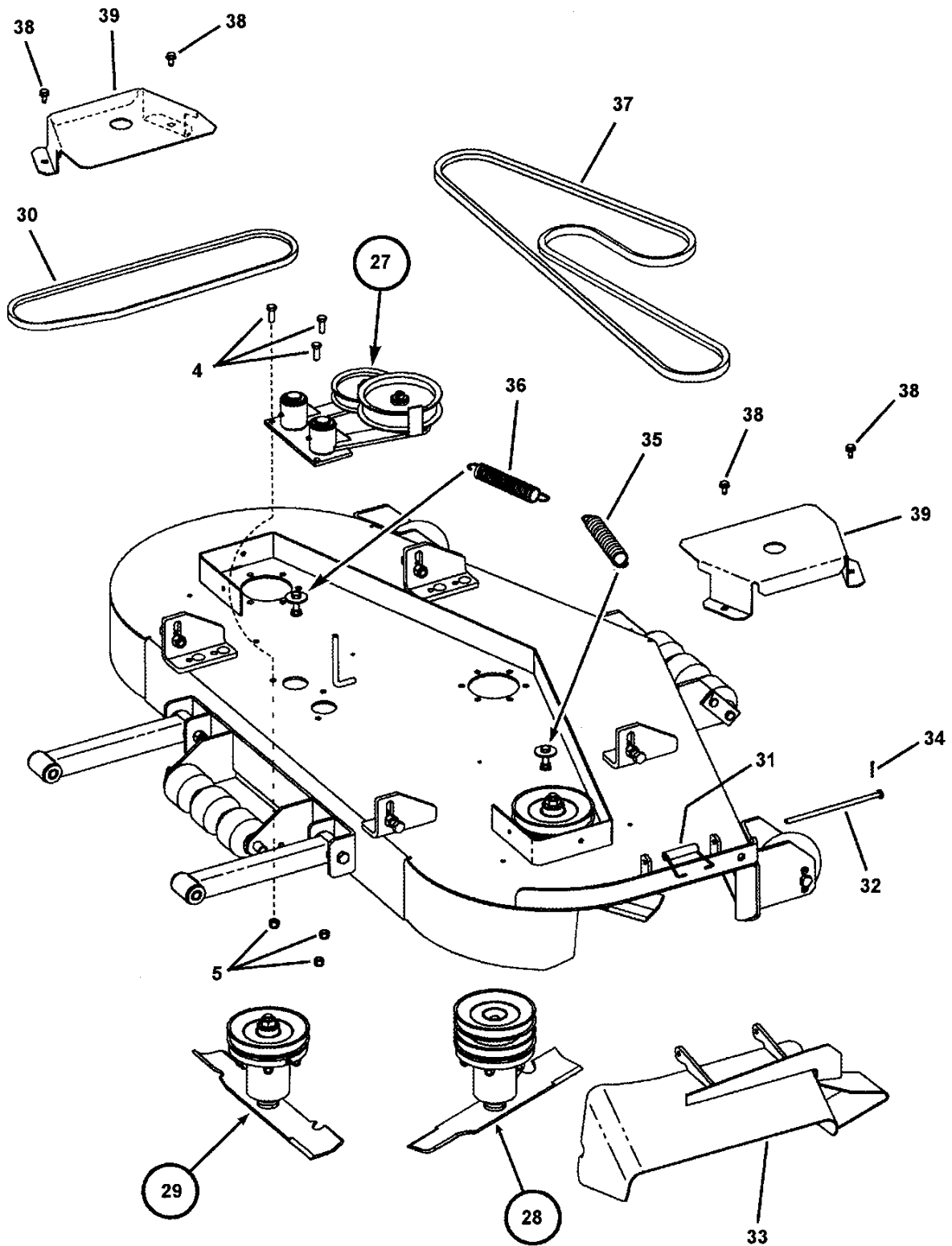
***NOTE: These fasteners are located inside the deck.**

61" CUTTING DECK ASSEMBLY PT.1

Item	Part No	Qty	Description	Note
1	7044815	1	WELDMENT, 61" Deck	
2	7091305	2	SCREW, 3/8-16 x 2" Hex Head Cap, GR5	
3	7027327	2	WELDMENT Pivot Pin	
4	7091304	2	SCREW, 3/8-16 x 1" Hex Head Cap, GR5	
5	7091299	32	NUT, 3/8-16 Hex Nyloc	
6	7073142	6	ROLLER Low Density Polyethylene	Was 79226
7	7027344	4	WASHER, 5/8" Flat SAE	
8	7029264	2	GAUGE WHEEL, Polyethylene	
9	7091640	8	BOLT, 3/8-16 x 1" Square Neck Carriage GR 5	
10	7091922	6	NUT, 1/2-13 Hex Light Nyloc	
11	7090543	4	SCREW, 1/2-13 x 2" Hex Head Cap, GR5	
12	7029355	2	BOLT, 1/2-13 x 3-3/4" Hex Head Cap, GR5	
13	--	2	ASSEMBLY, Pusher Bar (Includes items 14-16)	
14	7044823	1	WELDMENT, Pusher Bar	
15	7029263	2	SLEEVE - Suspension	
16	7029258	4	BUSHING - Suspension	
17	7075382	1	BRACKET, Deck Lift, Right Hand	
18	7075381	1	BRACKET, Deck Lift, Left Hand	
19	7091822	2	BOLT, 1/2-13 x 5" Hex Head	
20	7091331	2	WASHER, .406 x 1.50 x .120 Flat	
21	7091619	4	NUT, 3/8-16 Hex Flange Lock	
22	7074789	1	WHEEL BRACKET Front Right	
23	7074790	1	WHEEL BRACKET Front Left	
24	7036456	2	SPACER, Gauge Wheel	

Footnotes:

61" CUTTING DECK ASSEMBLY PT.2

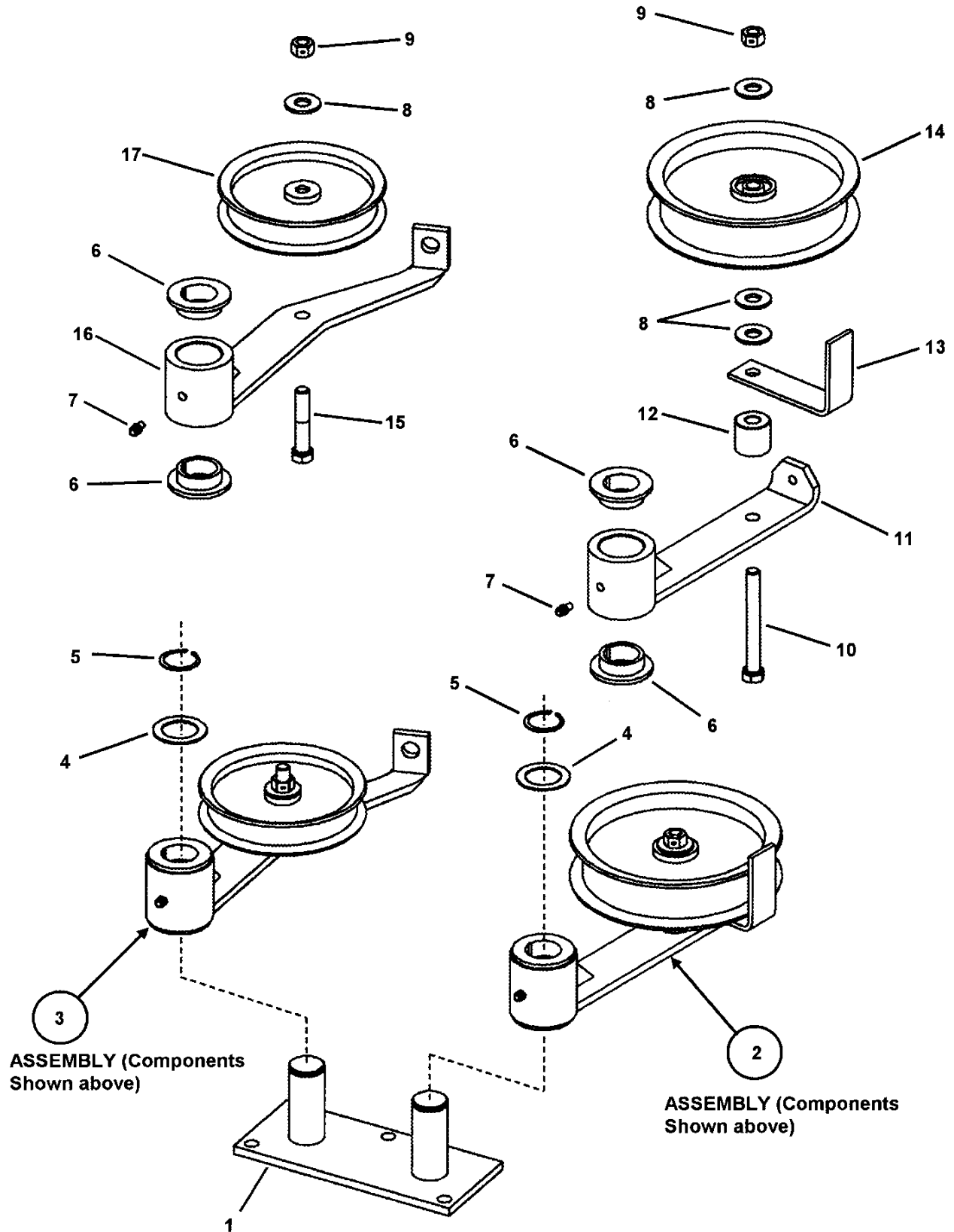


61" CUTTING DECK ASSEMBLY PT.2

Item	Part No	Qty	Description	Note
4	7091304	3	SCREW, 3/8-16 x 1" Hex Head Cap, GR5	
5	7091299	3	NUT, 3/8-16 Hex Nyloc	
27	--	1	ASSEMBLY, Idler (see breakdown on Idler Assy page)	
28	--	1	ASSEMBLY, Center Spindle (see breakdown on Deck Spindle Assy page)	
29	--	2	ASSEMBLY, Spindle (see breakdown on Deck Spindle Assy page)	
30	7071766	1	BELT, Primary (HB Section, 94.20" effective length)	<i>Replaces 75623</i>
31	7027950	1	SPRING, Chute	
32	7029277	1	PIN, Chute Hinge	
33	7058291	1	WELDMENT, Chute Deflector (61" Euro)	
34	7091313	1	PIN, 3/32 x 1" Cotter	
35	7072915	1	SPRING, Idler Primary (1.25" O.D. x 10" long)	
36	7029278	1	SPRING, Idler (1.17" O.D. x 7.5" long)	
37	7029268	1	V-BELT, Secondary- 61" (HB Section, 127.0" effective length)	
38	7090361	4	SCREW, 5/16-18 x 5/8" Hex Washer Self-Tap	
39	7075384	2	BELT COVER	

Footnotes:

IDLER ASSEMBLIES (58885)



ASSEMBLY (Components Shown above)

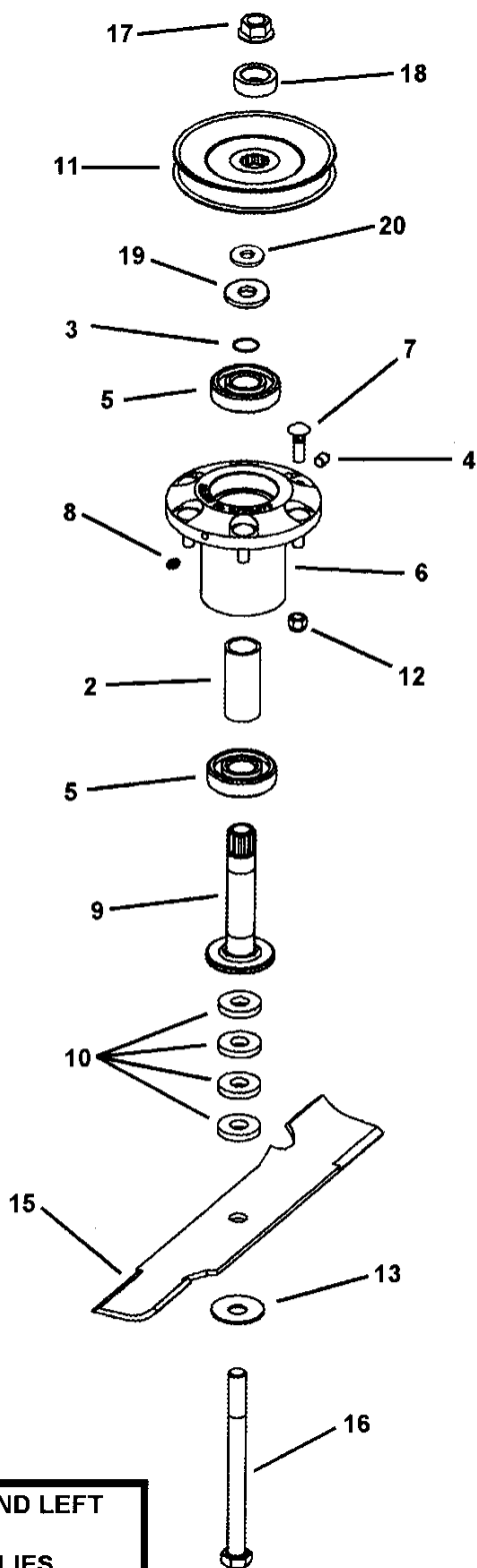
ASSEMBLY (Components Shown above)

IDLER ASSEMBLIES (58885)

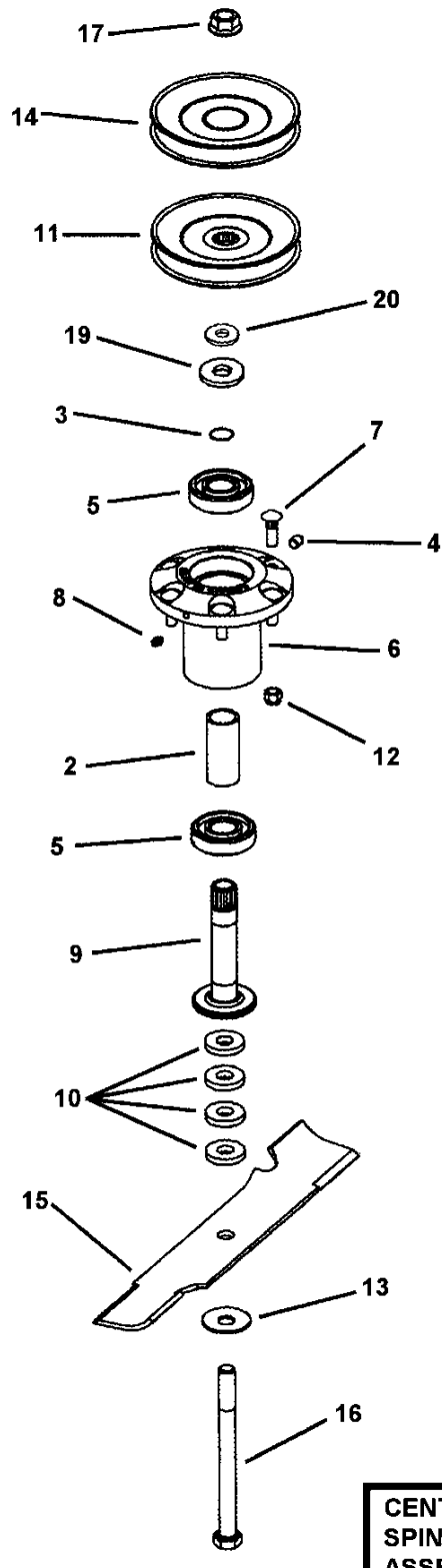
Item	Part No	Qty	Description	Note
1	7058147	1	WELDMENT, Idler Plate	
2	--	1	ASSEMBLY, Primary Idler	<i>Includes items 6 (2), 7, 8 (3), 9, 10, 11, 12, 13 & 14</i>
3	--	1	ASSEMBLY, Secondary Idler	<i>Includes items 6 (2), 7, 8, 9, 15, 16 & 17</i>
4	7023747	2	BUSHING, 1" Machine	
5	7012709	2	RING, 1" External Retaining	
6	7074720	4	BUSHING, Idler PM	
7	7014669	2	LUBE FITTING, 3/16"	
8	7090517	4	WASHER, 3/8" Flat	
9	7091585	2	NUT, 3/8-16 Hex Center Lock, GR5 or B	
10	7027220	1	SCREW, 3/8-16 x 3-1/4" Hex Head Cap, GR5	
11	7058877	1	WELDMENT, Primary Idler Arm	
12	7035657	1	BUSHING - Idler	
13	7035656	1	RETAINER, Idler Belt	
14	7034422	1	PULLEY, Flat Idler	
15	7091553	1	SCREW, 3/8-16 x 1-3/4" Hex Head Cap, GR5	
16	7058329	1	WELDMENT, Secondary Idler Arm	
17	7029273	1	PULLEY, Idler	

Footnotes:

DECK SPINDLE ASSEMBLIES



**RIGHT AND LEFT
SPINDLE
ASSEMBLIES**

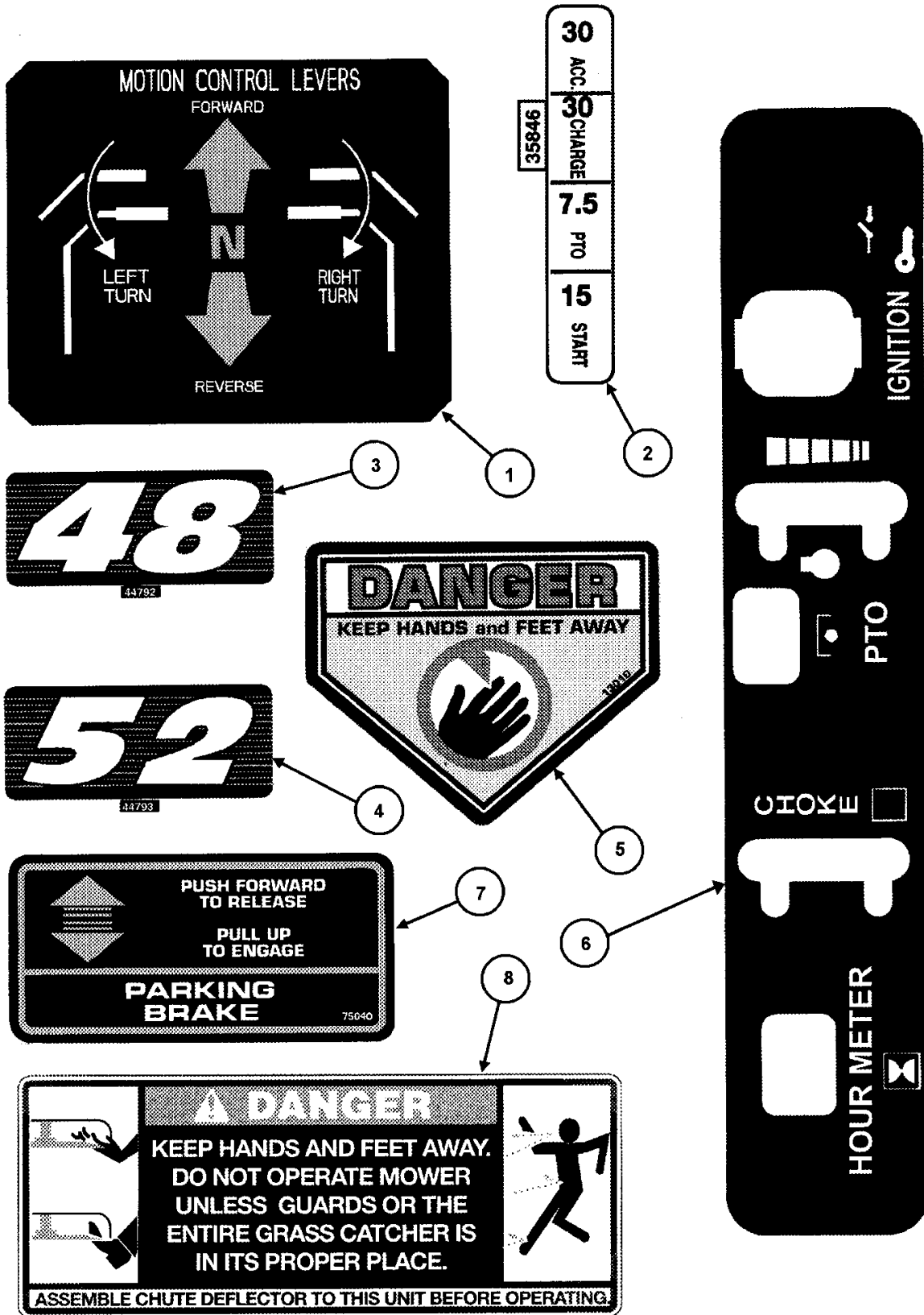


**CENTER
SPINDLE
ASSEMBLY**

DECK SPINDLE ASSEMBLIES

Item	Part No	Qty	Description	Note
1	7054011	1	SUB-ASSEMBLY, Spindle (Includes indented items below)	
2	7029254	1	SPACER, Bearing	
3	7029274	1	RING, Spindle Retaining	
4	7029384	1	VENT, Spindle (Alemite # 321839)	
5	7029422	2	BALL BEARING (2 per item 1, sub-assembly)	
6	7058237	1	HOUSING, Spindle	
7	7029302	6	BOLT, Ribbed (3/8-16 x 1-1/4" Thread) (6 per item 1, sub-assembly)	
8	7076998	1	FITTING, Lube (1/4-28 Thread; Alemite # 3038-B)	
9	7059311	1	SHAFT, Spindle	
10	7029271	4	SPACER, Blade	
11	7029245	1	PULLEY, 5.75" Diameter	
12	7091299	6	NUT, 3/8-16 Hex Nyloc (6 per spindle assembly)	
13	7016440	1	WASHER, Beveled	
14	7075075	1	PULLEY, Driven (48" Deck only)	
--	7075076	1	PULLEY, Driven (52" Deck only)	
--	7029250	1	PULLEY, Driven (61" Deck only)	
15	7075771	3	BLADE, 16-1/2" (48" Deck only)	Was 29247
--	7075751	3	BLADE, 18" (52" Deck only)	Was 29246
--	7075770	3	BLADE, 18" (61" Deck only)	Was 17081
16	7063234	1	BOLT, 5/8-11 x 7-1/2" Hex, Grade 5	
17	7063237	1	NUT, 5/8-11 Hex Flange Lock, GR5	
18	7029270	1	WASHER, Spindle	
19	7063238	1	SEAL, Nylos	For Brg., Pre-Seal Kit (63240) installation, discard 3 & replace with 19 & 20.
20	7013370	1	WASHER	For Brg., Pre-Seal Kit (63240) installation, discard 3 & replace with 19 & 20.

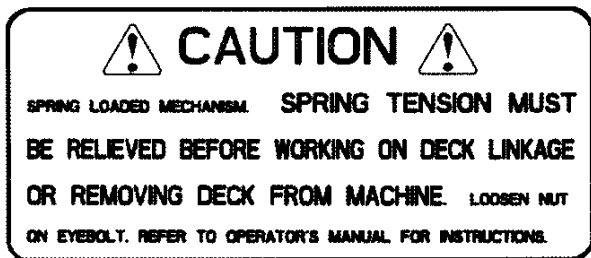
Footnotes:



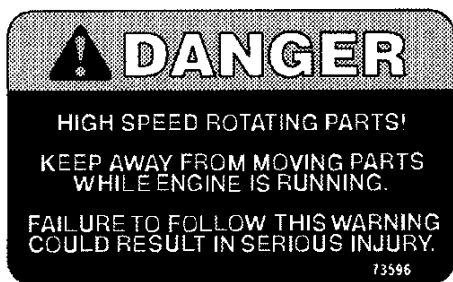
DECALS

Item	Part No	Qty	Description	Note
1	7075039	1	DECAL, Motion Control Lever	
2	7035846	1	DECAL, Fuse	
3	7044792	1	DECAL, 48" Deck (Series 0)	
--	7075565	1	DECAL, 48" Deck (Series 1)	
4	7044793	1	DECAL, 52" Deck (Series 0)	
--	7075566	1	DECAL, 52" Deck (silver) (Series 1)	
--	7075567	1	DECAL, 61" Deck (silver)	<i>not shown</i>
5	7013010	1	DECAL, Warning (CPSC Cut-Finger)	
6	7075756	1	DECAL, Control Panel	<i>replaces 75041</i>
7	7075040	1	DECAL, Park Brake	
8	7073647	2	DECAL, Danger, Guard/Catcher	

Footnotes:



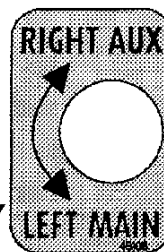
9



10



11

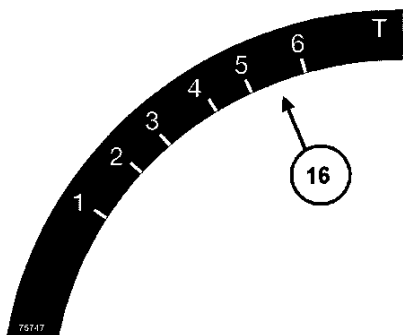


12

13



15



16

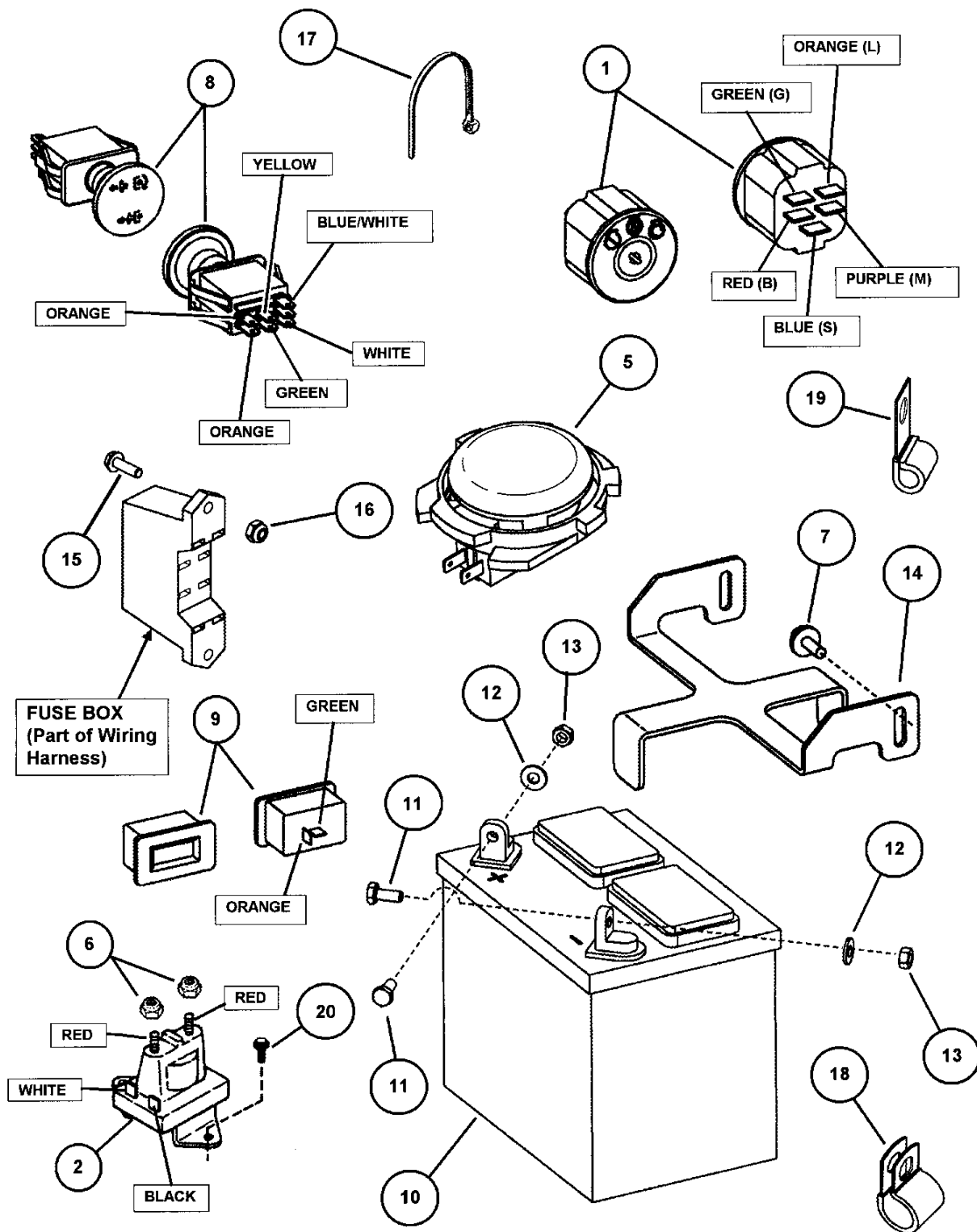


DECALS (continued)

Item	Part No	Qty	Description	Note
9	7075296	1	DECAL, Caution (Spring Mechanism)	
10	7073596	1	DECAL, Warning	
11	7027733	1	DECAL, Ear Protection	
12	7045108	1	DECAL, Tank Selector	
13	7071916	2	DECAL, SNAPPER (14.56" long)	
--	7075760	1	DECAL, SNAPPER (8.0" long)	
14	7029470	1	DECAL, Patent Numbers	<i>not shown</i>
15	7075433	1	DECAL, Oil Reservoir Overfill Warning	
16	7075747	1	DECAL, Detent	

Footnotes:

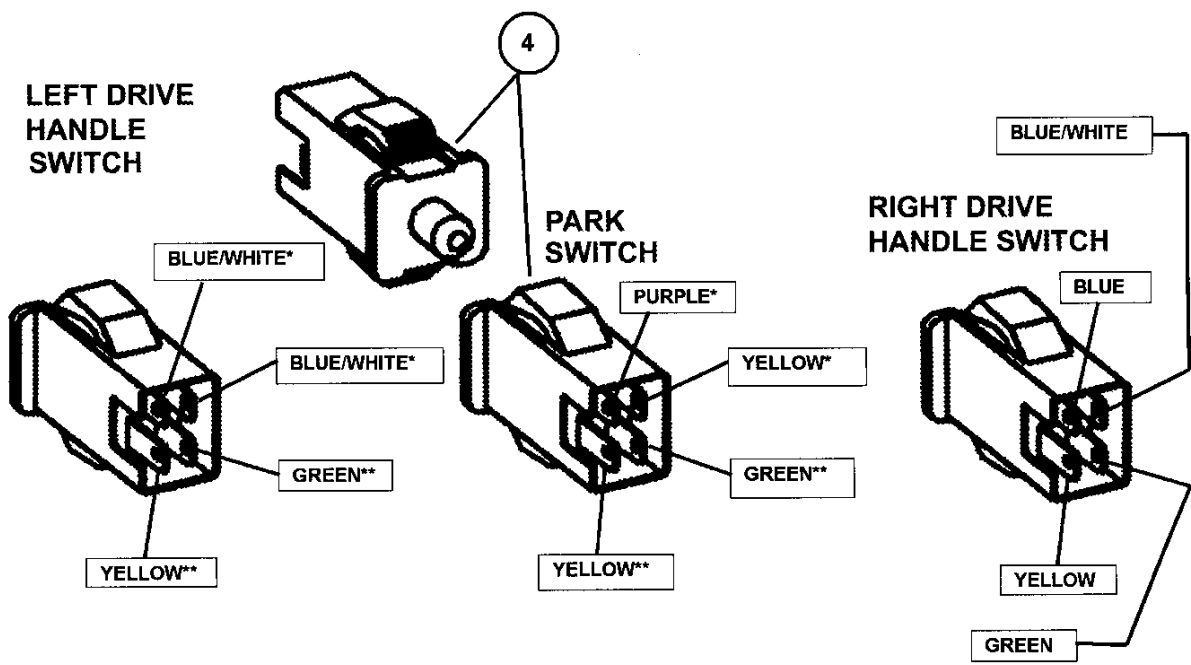
ELECTRICAL COMPONENTS (except wiring) PT.1



ELECTRICAL COMPONENTS (except wiring) PT.1

Item	Part No	Qty	Description	Note
1	7072684	1	SWITCH, Ignition	
2	7075622	1	SOLENOID, Super Trombetta	<i>vendor p/n 762-1221-210; replaces p/n 18604</i>
3	7073406	1	KEY SET (not shown)	<i>qty. 2 keys per set</i>
5	7029211	1	SWITCH, Seat, NC	<i>used on series 0</i>
--	7023354	1	SWITCH, Seat, NC	<i>used on series 1</i>
6	7091603	3	NUT, 1/4-20 Hex Nyloc	
7	7090741	2	SCREW, 1/4-20 x 5/8" Hex Head w/loose captured washer	
8	7075132	1	SWITCH, PTO, Yellow	
9	7074796	1	HOUR METER w/2 Flash Alerts	<i>Sendec Corp. Model No. 804-204</i>
10	7035610	1	BATTERY, 12V. 11 Plate 375CCA	
11	7090072	2	SCREW, 1/4-20 x 5/8" Hex Head Cap GR5	
12	7091294	2	WASHER, 9/32 I.D. x 5/8" O.D. Flat	
13	7090372	2	NUT, 1/4-20 Hex Center Lock GR5 or B	
14	7074809	1	BRACKET, Battery Hold-Down	
15	7091240	2	SCREW, #10-32 x 5/8" Hex Washer Self-Tap	
16	7090376	2	NUT, #10-32 Hex Nyloc	
17	7012080	15	CABLE TIE, 7" long	
18	7015861	1	CLIP, Harness	
19	7035638	4	CLIP, Open J 3/8" Cushioned	<i>shown on Rear Frame & Tank Bracket page & Seat Assembly pages</i>
20	7091122	2	SCREW, 1/4-20 x 1/2" Hex Washer Self-Tap	

Footnotes:

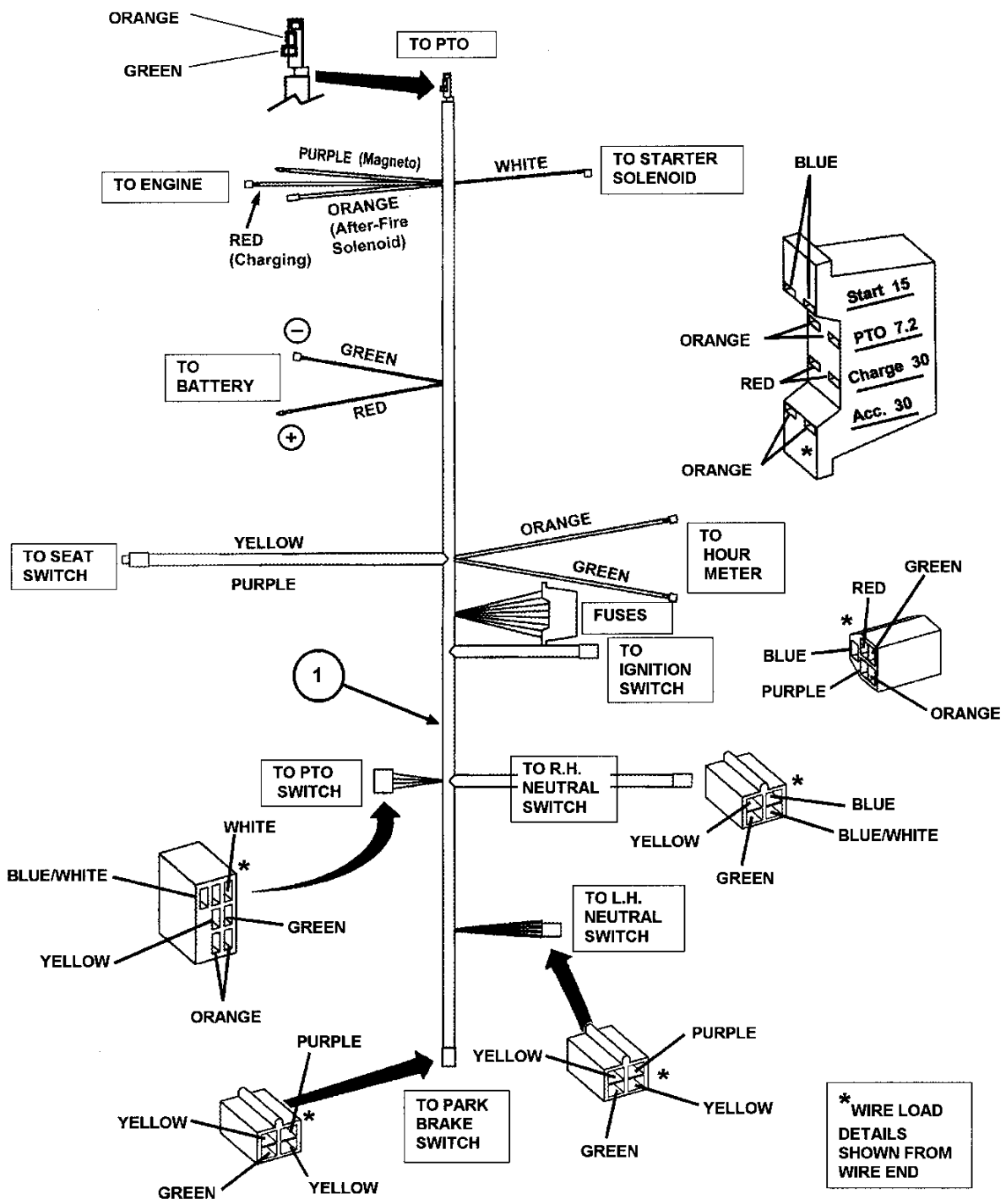


ELECTRICAL COMPONENTS (except wiring) PT.2

Item	Part No	Qty	Description	Note
4	7022886	3	SWITCH, DP NO/NC Snap-In	<i>*=Normally Open **=Normally Closed</i>

Footnotes:

WIRING HARNESS (Kawasaki engines)

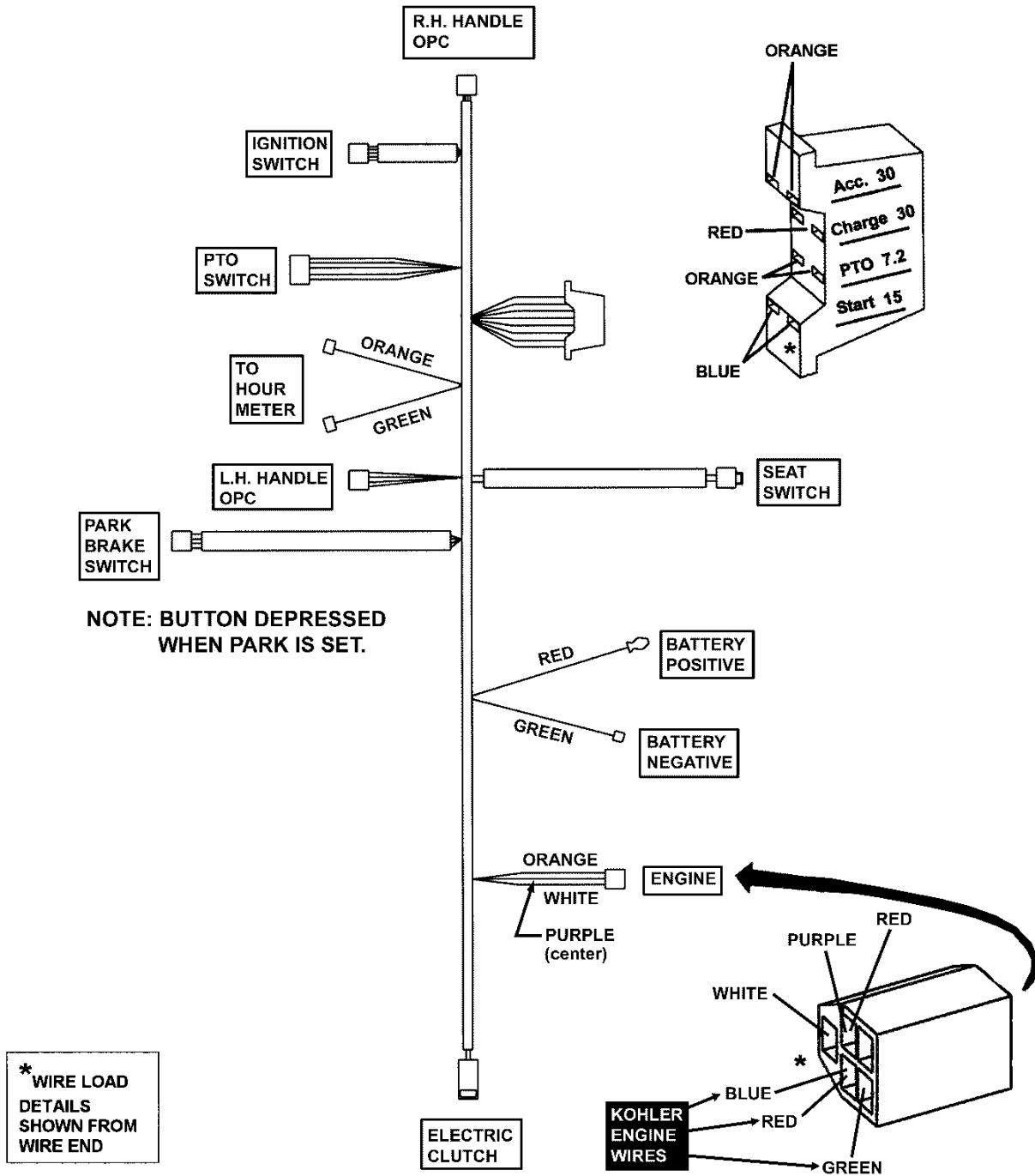


WIRING HARNESS (Kawasaki engines)

Item	Part No	Qty	Description	Note
1	7074795	1	HARNESS, Wiring	
2	7075038	1	CABLE, Battery- Positive (6 Gage, 34" long)	<i>not shown</i>
3	7035609	1	CABLE, Battery- Ground (6 Gage/14 Gage, 23" long)	<i>not shown</i>
4	7075602	1	CABLE, Solenoid to Starter (6 Gage, 10" long)	<i>not shown</i>
5	7075091	1	WIRE, Solenoid- Ground (10 Gage, 6-1/2" long)	<i>not shown</i>

Footnotes:

WIRING HARNESS (Kohler Engines)

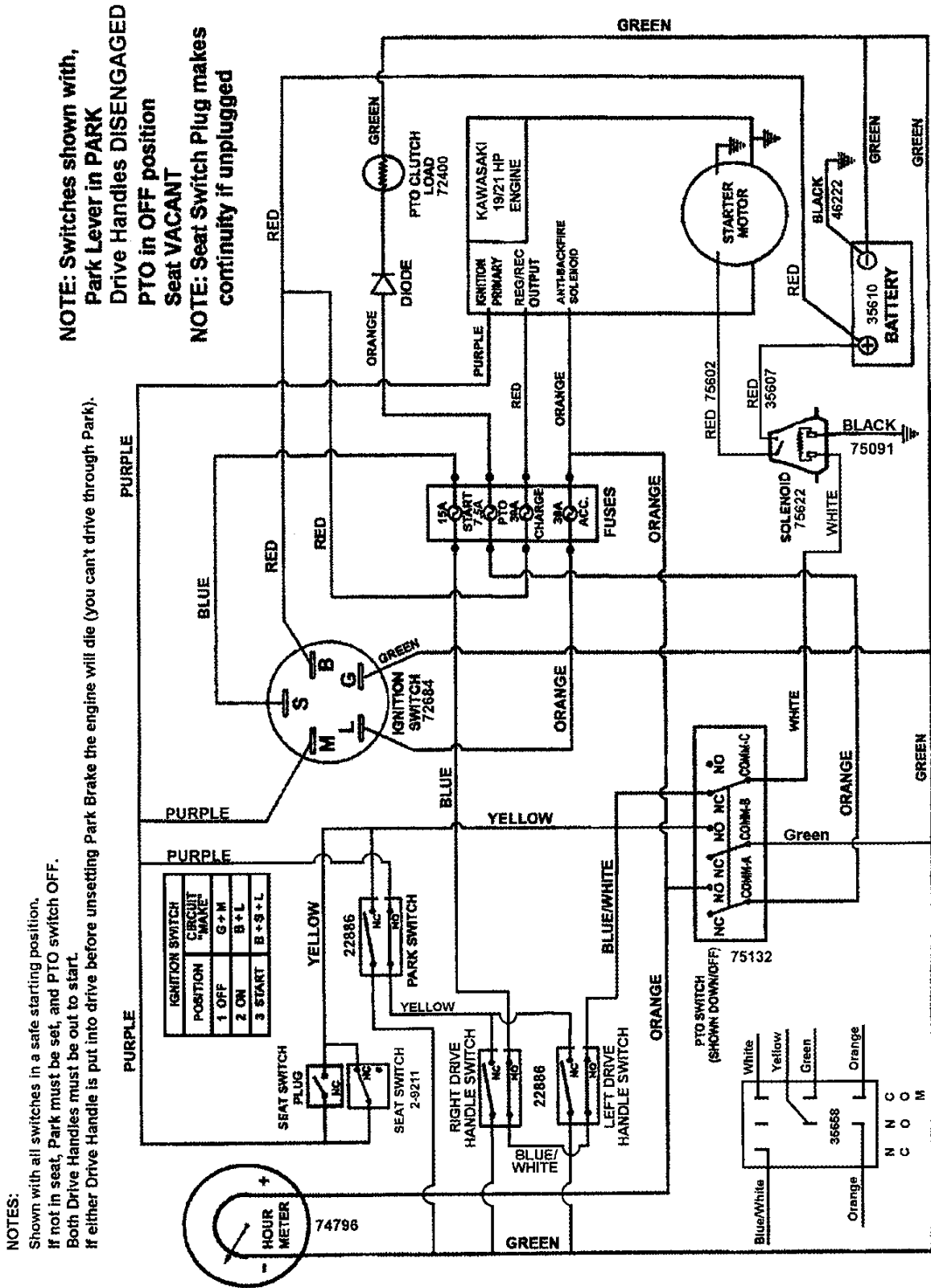


WIRING HARNESS (Kohler Engines)

Item	Part No	Qty	Description	Note
1	7029337	1	HARNESS, Wiring, Kohler/Twin	
2	7075038	1	CABLE, Battery- Positive (6 Gage, 34" long)	<i>not shown</i>
3	7035609	1	CABLE, Battery- Ground (6 Gage/14 Gage, 23" long)	<i>not shown</i>

Footnotes:

WIRING SCHEMATIC (Kawasaki engines)



SCHEMATIC - WIRING HARNESS P.N. 74795

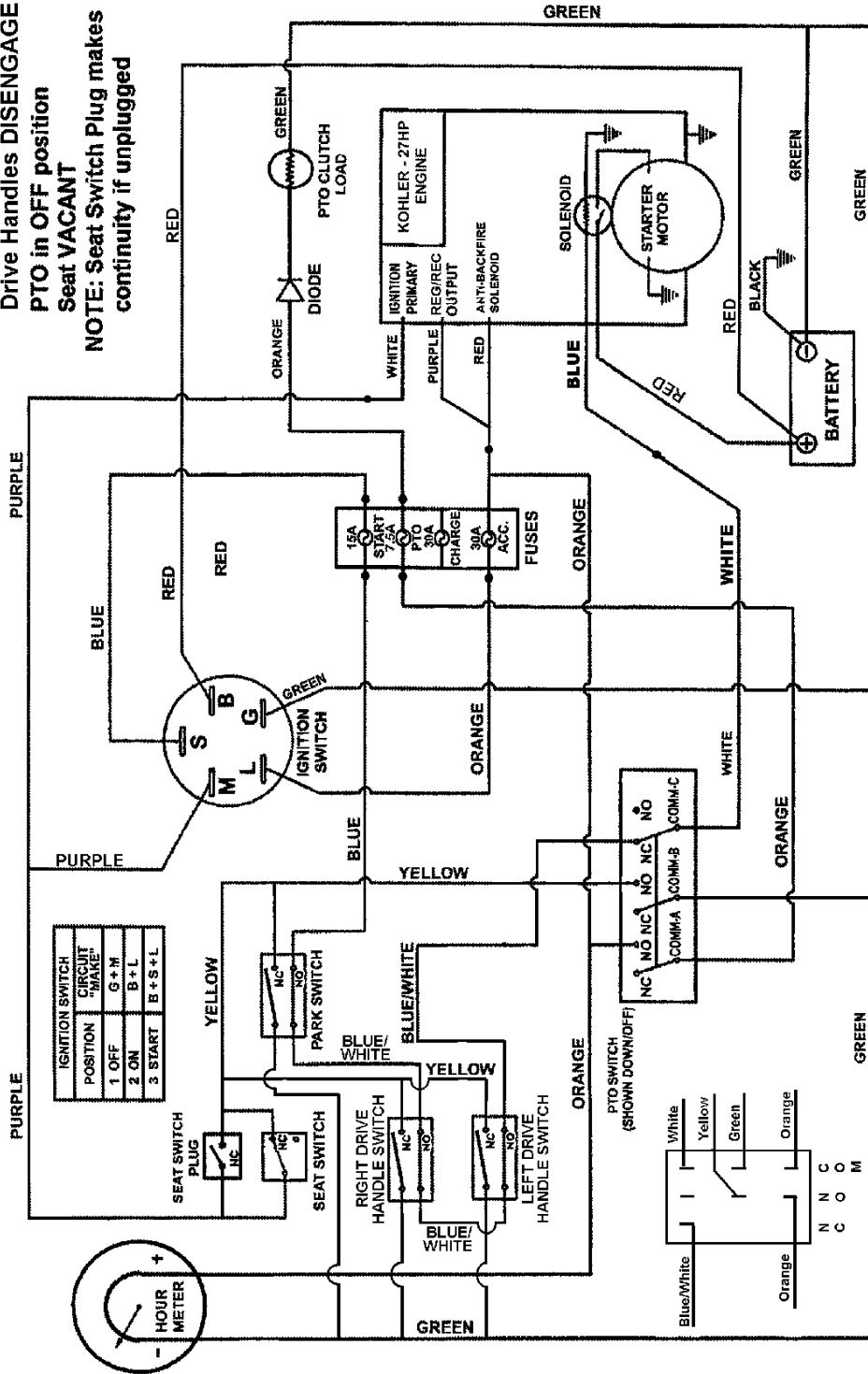
WIRING SCHEMATIC (Kawasaki engines)

Item	Part No	Qty	Description	Note
1	7074795	1	HARNESS, Wiring	

Footnotes:

WIRING SCHEMATIC (Kohler Engines)

**NOTE: Switches shown with,
Park Lever in PARK
Drive Handles DISENGAGED
PTO in OFF position
Seat VACANT**
**NOTE: Seat Switch Plug makes
continuity if unplugged**



SCHEMATIC - WIRING HARNESS P.N. 29337

WIRING SCHEMATIC (Kohler Engines)

Item	Part No	Qty	Description	Note
1	7029337	1	HARNESS, Wiring, Kohler/Twin	

Footnotes:

Parts Manual for

SNAPPER®

MID MOUNT Z-RIDER ZERO TURNING HYDRO DRIVE NZM SERIES 0 & 1

IT IS THE POLICY OF SNAPPER TO IMPROVE ITS PRODUCTS WHENEVER IT IS POSSIBLE AND PRACTICAL TO DO SO. WE RESERVE THE RIGHT TO MAKE CHANGES OR ADD IMPROVEMENTS AT ANY TIME WITHOUT INCURRING ANY OBLIGATION TO MAKE SUCH CHANGES ON PRODUCTS MANUFACTURED PREVIOUSLY.

SNAPPER® McDonough, GA, 30253 U.S.A.