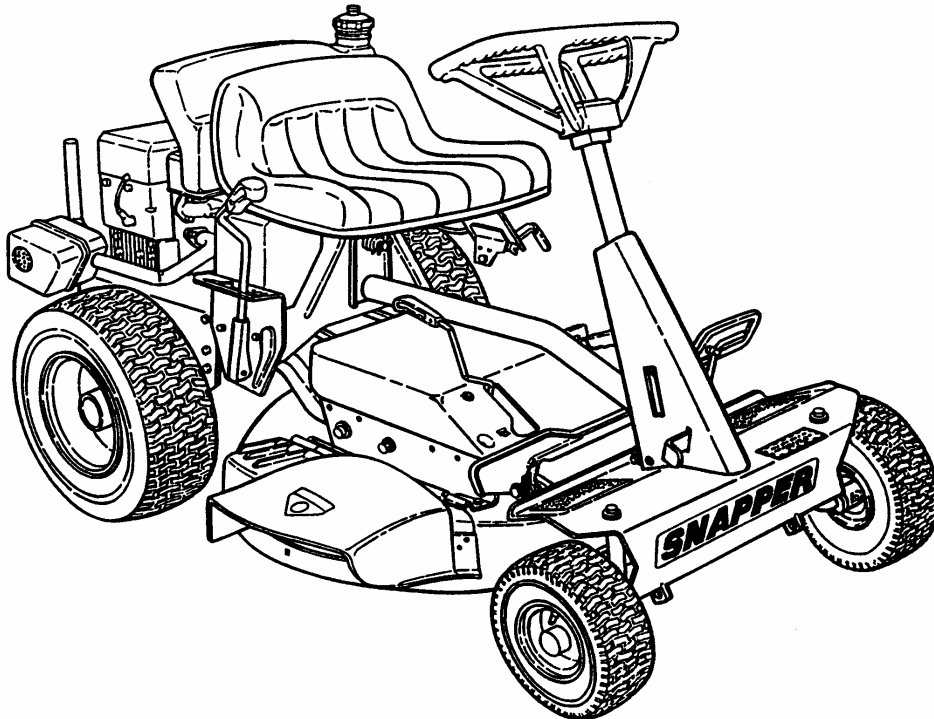


PARTS MANUAL FOR

SNAPPER®

STANDARD REAR ENGINE RIDER SERIES 21



MODELS
M250821BE
EM250821BE
M280921B
WM280921B
M281021BE
EM281021BE
M300921B
M301021BE
WM301021BE

CONTENTS

DESCRIPTION	PAGE(S)	DESCRIPTION	PAGE(S)
WHEELS, TIRES.....	2, 3	SPINDLE ASSEMBLY	22
FRONT END, STEERING.....	4, 5	DRIVE DISC ASSEMBLY	23
MAIN CASE.....	6, 7	FUEL TANK & OPERATORS SEAT.....	24
DIFFERENTIAL, R.H. FENDER	8,9	EXHAUST MUFFLER & ENGINES.....	25
CHAIN CASE ASSEMBLY, L.H. FENDER	10, 11	DECALS	26-29
SMOOTH CLUTCH ASSEMBLY.....	12, 13	ELECTRICAL SYSTEMS (Recoil Start)	30, 31
CUTTING DECKS, DEFLECTORS	14, 15	ELECTRICAL SYSTEMS (Electric Start)	32, 33
RAILS, LIFT ARMS, CAM LIFT	16,17	WIRING SCHEMATICS.....	34, 35
BLADE STOP PEDALS	18, 19	THROTTLE CONTROLS & ACCESSORIES.....	36
BELTS, BRAKES, INTERLOCK	20, 21	HARDWARE BAG	37

SNAPPER® McDonough, GA., 30253 U.S.A.

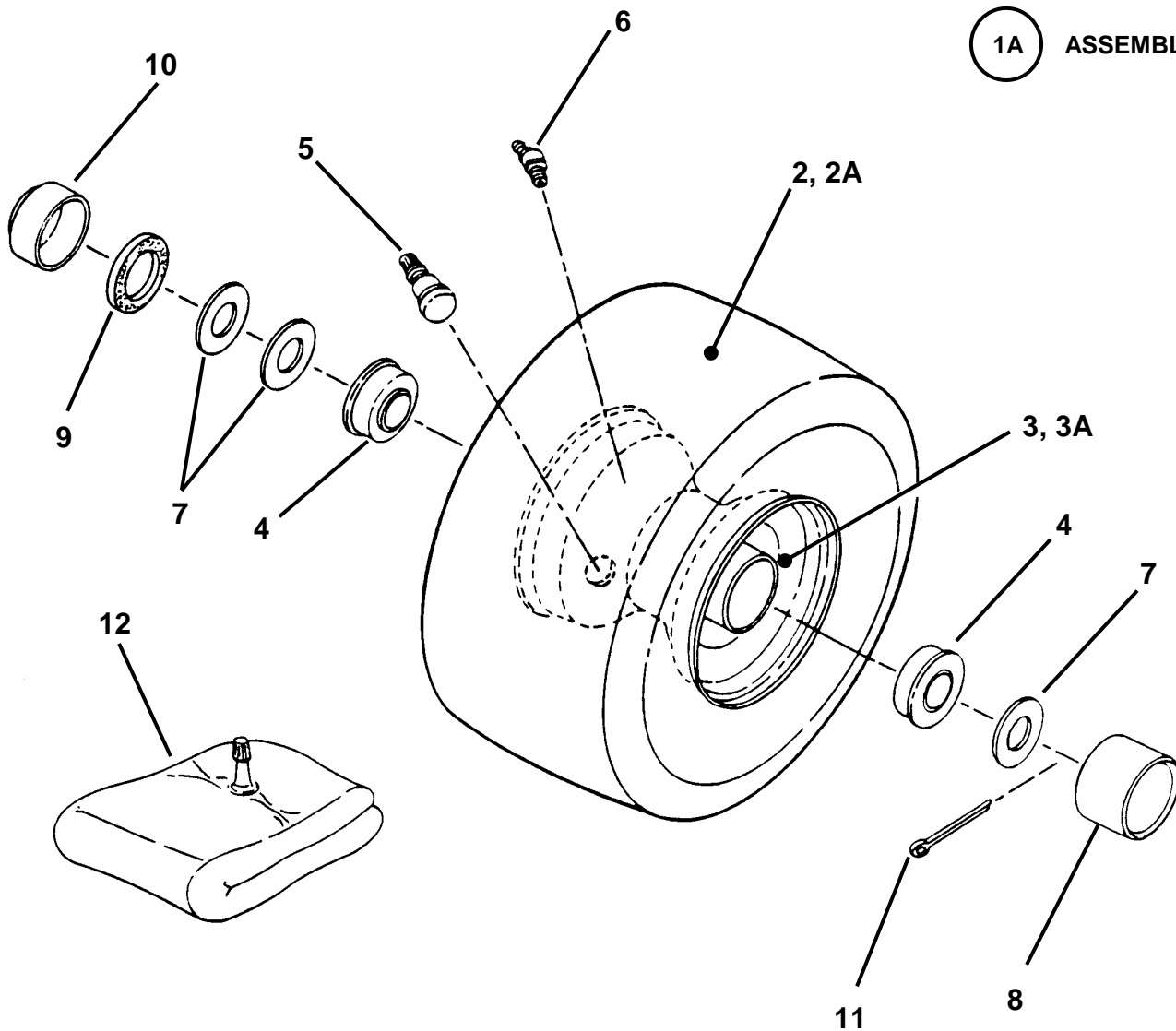
COPYRIGHT © 2002
SNAPPER INC.
ALL RIGHTS RESERVED

(Rev. 1, 09/30/02)

MANUAL No. 06075

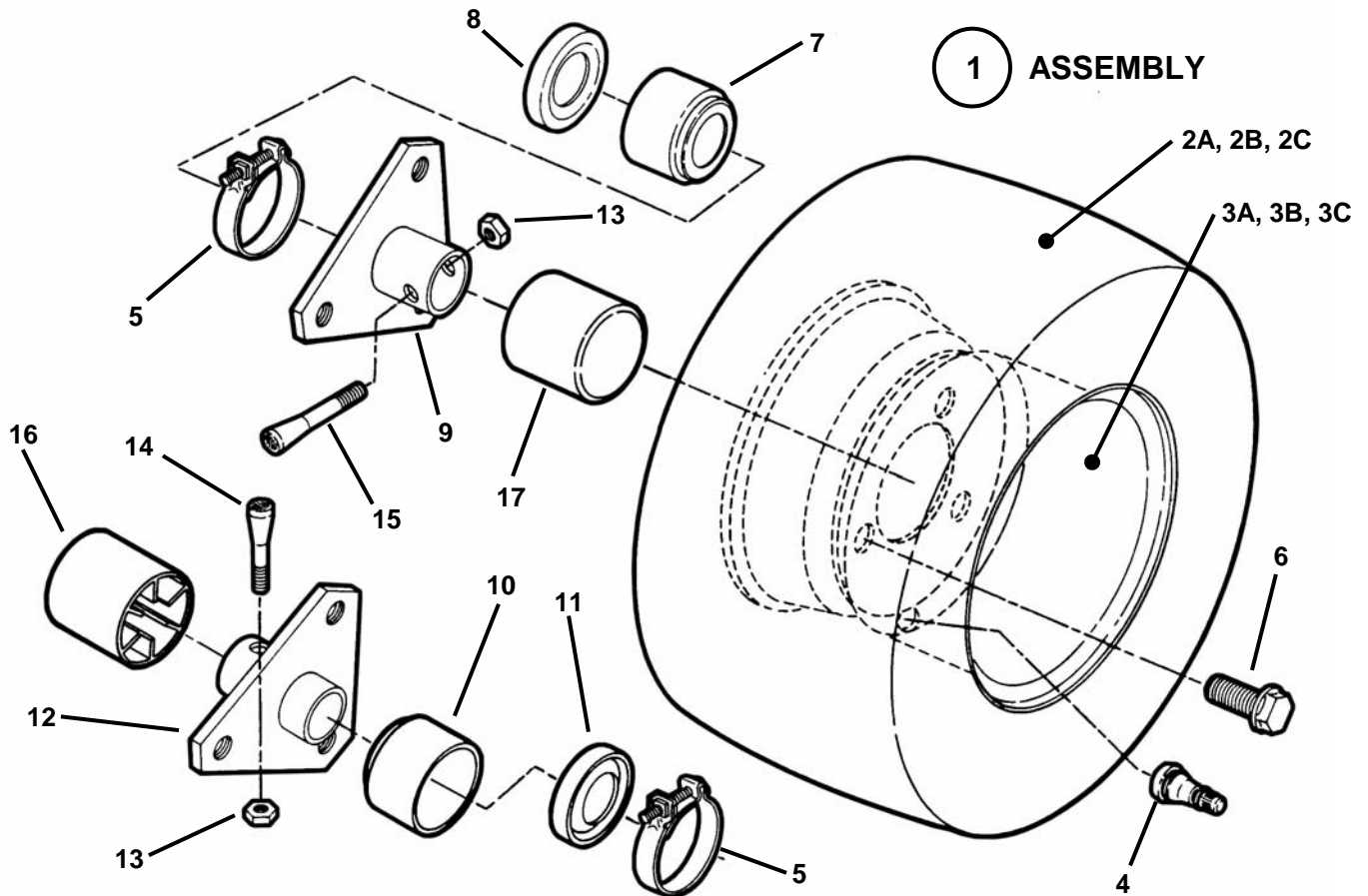
WHEELS-FRONT

- 1** ASSEMBLY
- 1A** ASSEMBLY



ITEM	PART NO.	DESCRIPTION
1	5-2267	ASSEMBLY, Front Tire & Rim (Includes Items 2 thru 6)
1A	5-8944	ASSEMBLY, Front Tire & Rim (Incl. Items 2A, 3A, 4, 5 & 6)
2	2-3828	TIRE, Pneumatic 4.10/3.50 x 4
2A	7-3564	TIRE, Pneumatic 11 x 4.00-4, Carlisle
3	1-7146	RIM (For 4.10/3.50 x 4 Tire)
3A	7-3588	RIM (For 11 x 4.00-4 Carlisle Tire)
4	1-1807	BEARING, Ball
5	1-2234	VALVE, Air (Snap-in)
6	1-4669	FITTING Lube
7	1-0935	WASHER (8)
8	1-1022	CAP, Hub (2)
9	1-1032	SEAL, Felt (2)
10	3-1038	CAP, Dust (2)
11	9-1516	PIN, 5/32 x 1" Cotter (2)
12	1-0821	TUBE, Inner (optional) (Fits 4.10/3.50 x 4 Tire)

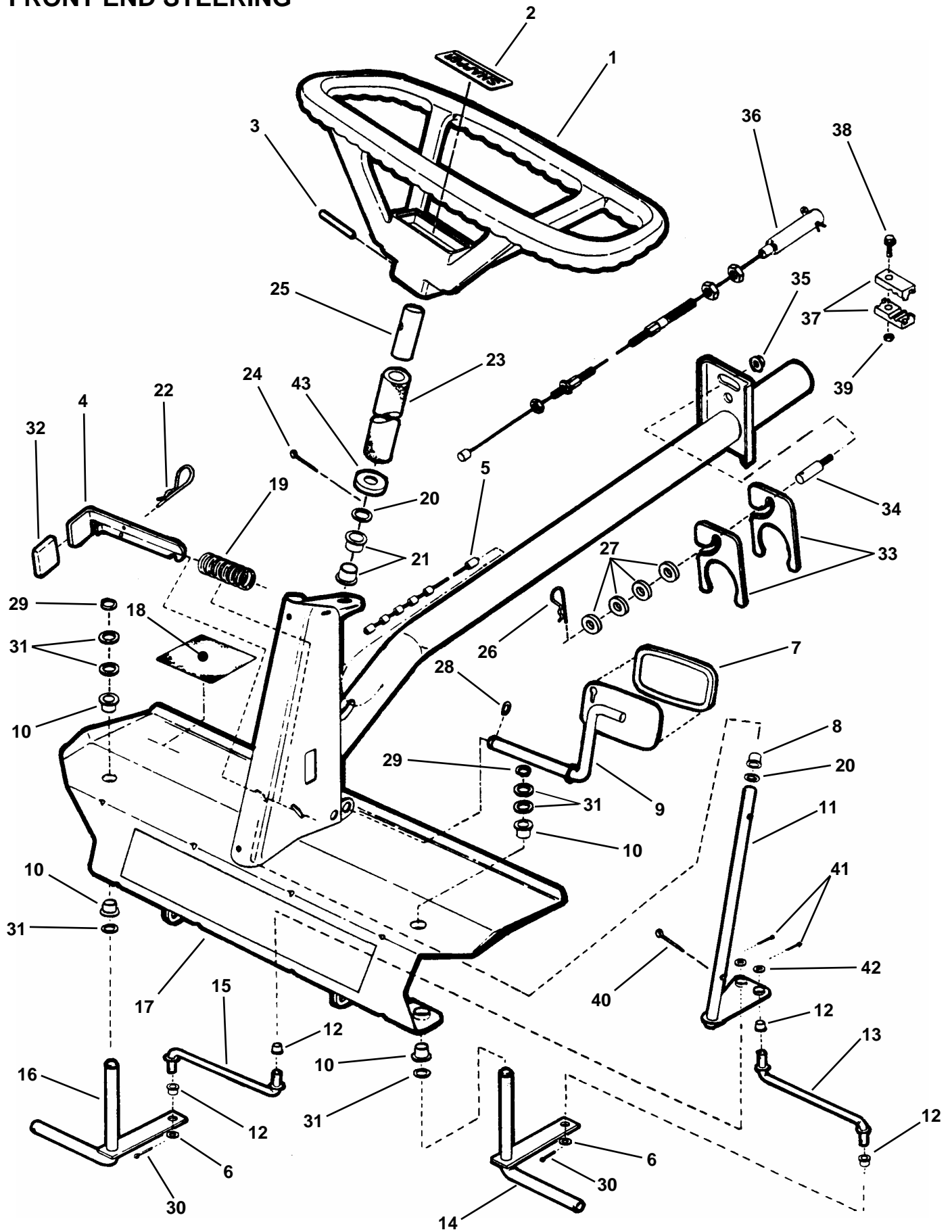
WHEELS-REAR



ITEM	PART NO.	DESCRIPTION
1	5-2270	ASSEMBLY, Rear Tire & Rim (Includes Items 2A, 3A & 4)
--	5-2269	ASSEMBLY, Rear Tire & Rim (Includes Items 2B, 3B & 4)
--	5-8952	ASSEMBLY, Rear Tire & Rim (Includes Items 2C, 3C & 4)
2A	1-5968	TIRE, Wide, 16/6.50 x 8 Turf
2B	2-3889*	TIRE, 4.80/4.00 Turf Saver
2C	7-3585	TIRE, 16 x 6.50-8 Carlisle
3A	1-7147	RIM, Wide, (For 16/6.50 x 8 Tire)
3B	1-7145	RIM, 4.80/4.00 x 8, 3 Lug
3C	7-3589	RIM, 8 x 5.375, Carlisle
4	1-2234	VALVE, Air (Snap-in)
5	1-2332	CLAMP (2)
6	9-1502	BOLT, 1/2-20 x 3/4" Lug (6)
7	3-1732	CAP, Seal (Right Hand)
8	1-1817	SEAL, Oil (Right Hand)
9	4-0433	HUB, Rear Wheel (Right Hand)
10	3-5918	CAP, 3/4" Hole (Left Hand)
11	1-4662	SEAL, Oil (Left Hand)
12	4-0434	HUB, Rear Wheel (Left Hand)
13	1-1201	NUT, 5/16-24 Hex Center Lock
14	1-1035	BOLT, 5/16-24 x 1-5/8" Tapered (Left Hand)
15	1-1013	BOLT, 5/16-24 x 2" Tapered (Right Hand)
16	2-3522	CAP, Hub (Left Hand)
17	2-3895	CAP, Hub (Right Hand)

***NOTE: 2-3889 accepts part number 1-0525 Tube, 16-4.80 (optional)**

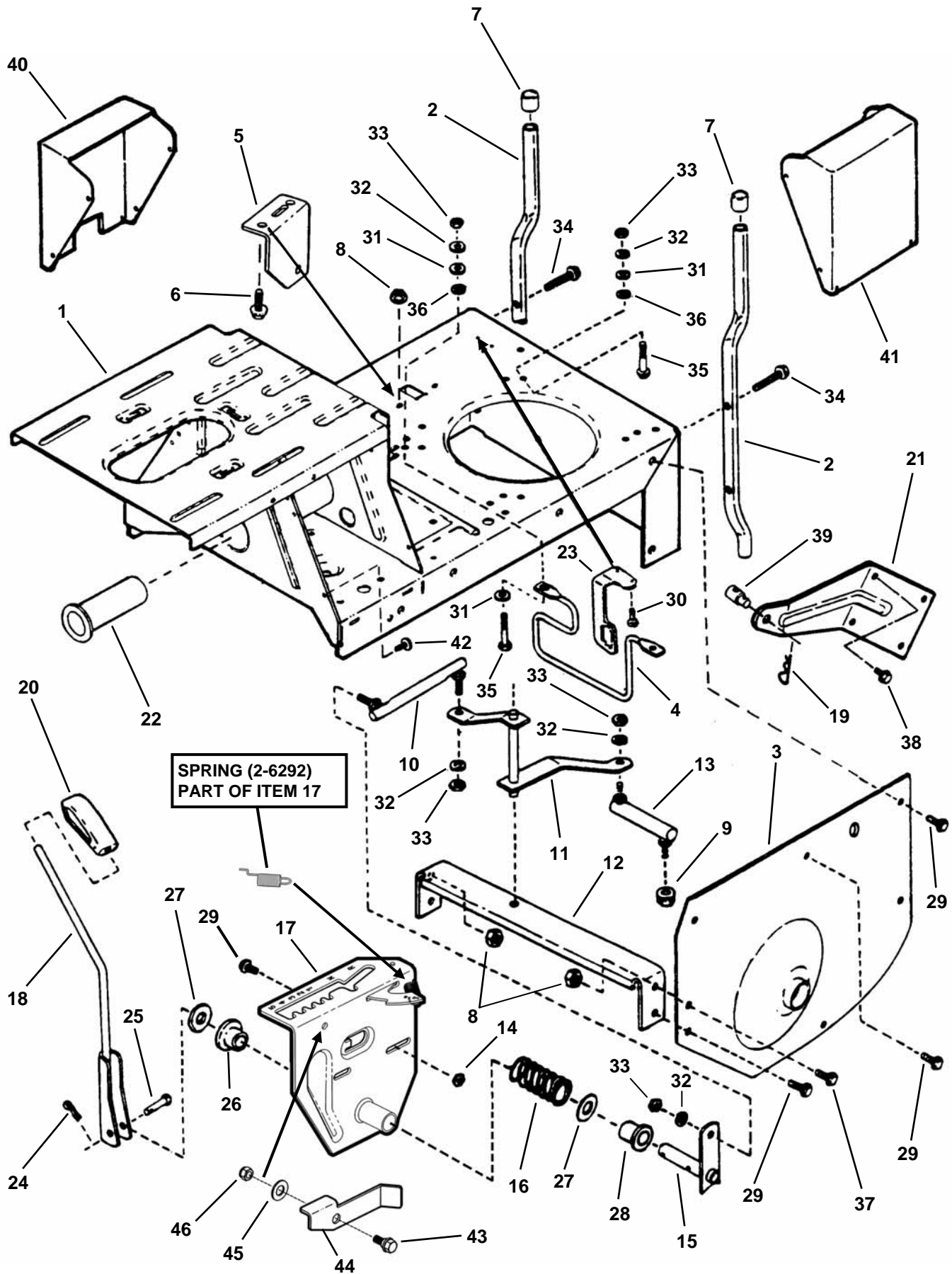
FRONT END STEERING



FRONT END STEERING

ITEM	PART NO.	DESCRIPTION
1	5-1941	STEERING WHEEL (includes item 2)
2	2-3781	LOGO, Steering Wheel
3	1-3862	PIN, 1/4" x 1-1/2" Roll
4	3-8243	LATCH, Parking Brake
5	2-2449	CABLE, Clutch/Brake (54.32" long)
6	9-0122	WASHER, 3/8 Flat (2)
7	1-1815	PAD, Clutch/Brake Pedal
8	1-0694	BUSHING, Nylon
9	4-7888	PEDAL, Clutch/Brake
10	1-0986	BEARING (4)
11	4-6232	SHAFT Weldment, Steering
12	1-3321	BUSHING, Tie-Rod (4)
13	1-3023	TIE-ROD, Left Hand
14	4-1687	KING-PIN Weldment, Left Hand
15	1-2933	TIE-ROD, Right Hand
16	4-1688	KING-PIN, Weldment Right Hand
17	5-8040	STRUCTURE, Front Axle
18	1-4049	PAD, Foot (2)
19	1-5444	SPRING, Parking Brake
20	9-0183	WASHER, 21/32 x 1-5/16" Diameter (2)
21	4-6158	BUSHING, Nylon (2)
22	1-1714	PIN, Hair
23	2-3667	FOAM COVER, Steering Shaft
24	9-0296	PIN, 3/16 x 1" Cotter
25	4-6224	BUSHING, Steering Adapter
26	1-2867	PIN, Hair
27	2-2881	SPACER, 1/2" (4)
28	1-0776	RING, 1/2" External Retaining (Heavy Duty)
29	1-0746	RING, 3/4" External Retaining (2)
30	9-0365	PIN, 1/8 x 3/4" Cotter (2)
31	1-0935	WASHER, 5/8 Flat (6)
32	1-5429	CAP, Parking Brake Lever
33	2-8395	SPACER, Pivot (4)
34	2-8332	STUD, Shoulder (3/8-24 Thread)
35	9-0854	NUT, 3/8-24 Hex Nyloc
36	7-1909	CABLE, Brake (29" long)
37	3-4174	CONNECTOR, Cable
38	9-1495	SCREW, 1/4-20 x 3/4" Hex Head Cap, Grade 5
39	9-0372	NUT, 1/4-20 Hex Center Lock
40	9-0753	PIN, 3/16" x 1-1/2" Cotter
41	9-1516	PIN, 5/32" x 1" Cotter (2)
42	9-1514	WASHER, 3/8" Flat (2)
43	2-3671	COVER, Steering Shaft

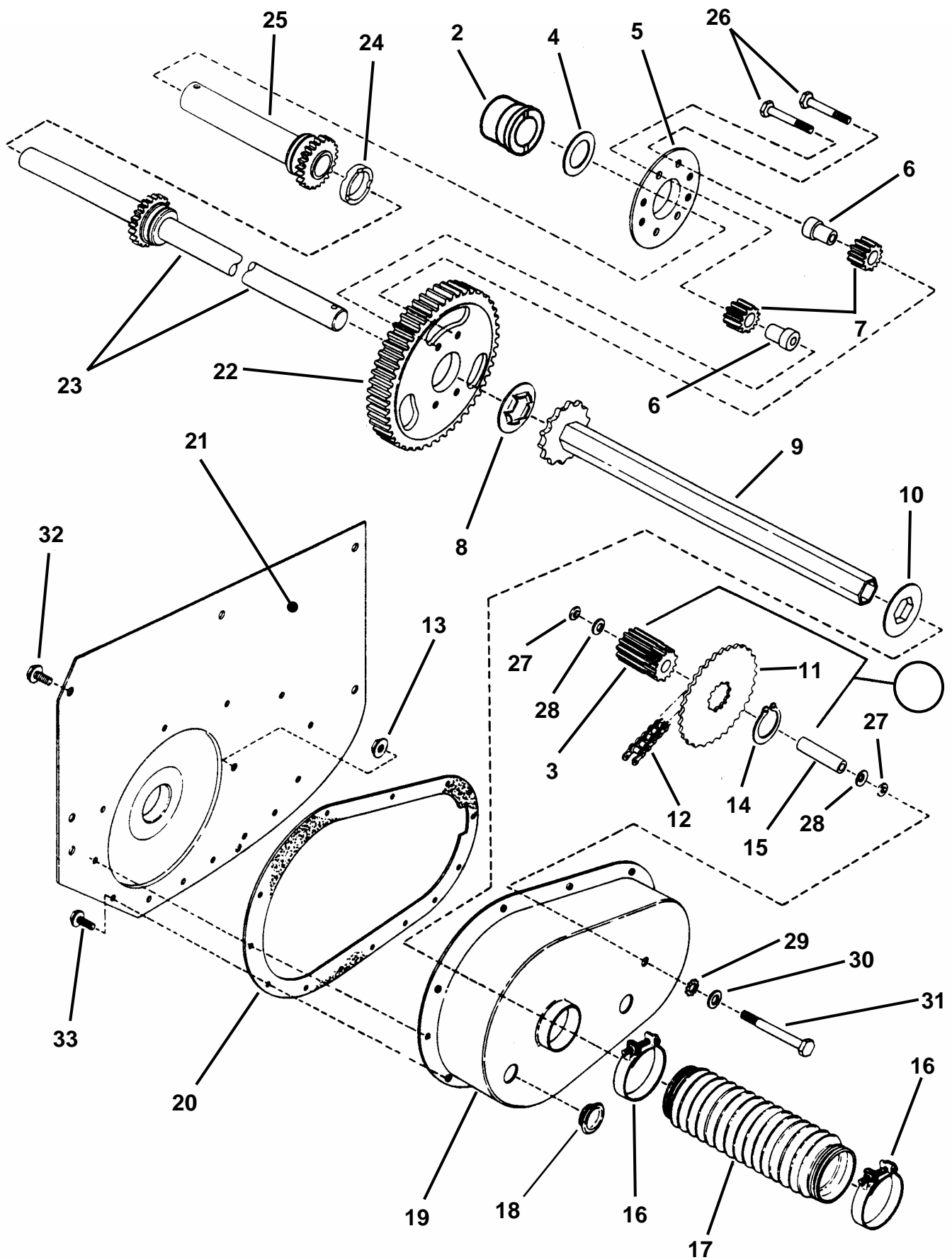
MAIN CASE



MAIN CASE

ITEM	PART NO.	DESCRIPTION
1	5-8044	CASE, Main (Standard)
2	3-0798	BUMPER, Rear (2)
3	3-7285	FENDER, Left Hand
4	1-7653	GUIDE, Belt
5	4-7189	BRACKET, Drive Support
6	9-0595	BOLT, 5/16-18 X 3/4" Hex Flange Lock (2)
7	1-0153	CAP, Bumper (2)
8	9-0585	NUT, 5/16-18 Hex Flange Lock (6)
9	1-0969	NUT, 5/16-24 Hex Flange Lock
10	2-3676	LINK, Shift (Long)
11	4-1384	ARM, Shift
12	3-3799	BRACE, Cross
13	1-1018	LINK, Shift (Short)
14	9-0196	NUT, 5/16-18 Hex
15	4-0598	ARM, Shift Handle
16	1-0754	SPRING, Shift Handle
17	5-8763	ASSEMBLY, Shift Detent (Includes spring, part no. 2-6292)
18	4-0599	HANDLE, Shift
19	9-1503	HAIRPIN, 3/32 X 1-1/2" (2)
20	2-3656	GRIP, Shift Handle
21	3-4299	WING, Rear (2)
22	2-2509	BUSHING, Pilot
23	3-4724	BRACKET, Switch
24	9-0037	PIN, 3/32 x 3/4" Cotter
25	2-3914	PIN, 1/4 x 1-3/4" Tapered Clevis
26	1-9245	BUSHING, Nylon
27	3-1036	WASHER, Thrust (2)
28	1-9246	BUSHING, Nylon (2)
29	9-0361	SCREW, 5/16-18 x 5/8" Self-Tap (14)
30	9-0981	SCREW, 10-32 x 1/4" Hex Washer Self-Tap (2)
31	9-1296	WASHER, 5/16" Flat (4)
32	9-0187	WASHER, 5/16" Split Lock (7)
33	9-0223	NUT, 5/16-24 Hex (7)
34	9-0484	SCREW, 5/16-18 x 1-1/2" Self-Tap (4)
35	9-1513	SCREW, 5/16-24 x 1-1/2" Hex Head Cap (4)
36	1-1791	RETAINER, 5/16 Bolt (4)
37	9-0206	SCREW, 5/16-18 x 3/4" Hex Head Cap
38	9-0793	SCREW, 5/16-18 X 3/4" Hex Self-Tap (4)
39	2-8200	SWIVEL (2)
40	2-8989	COVER, Switch
41	2-8990	COVER, Battery
42	9-1272	FASTENER, 1/4 x 3/4" Ratchet (6)
43	1-5761	BOLT, 5/16-18 Shoulder
44	7-3289	LEVER, Over-Ride
45	9-1595	WASHER, 7/16" Flat
46	9-1298	NUT, 5/16-18 Nyloc

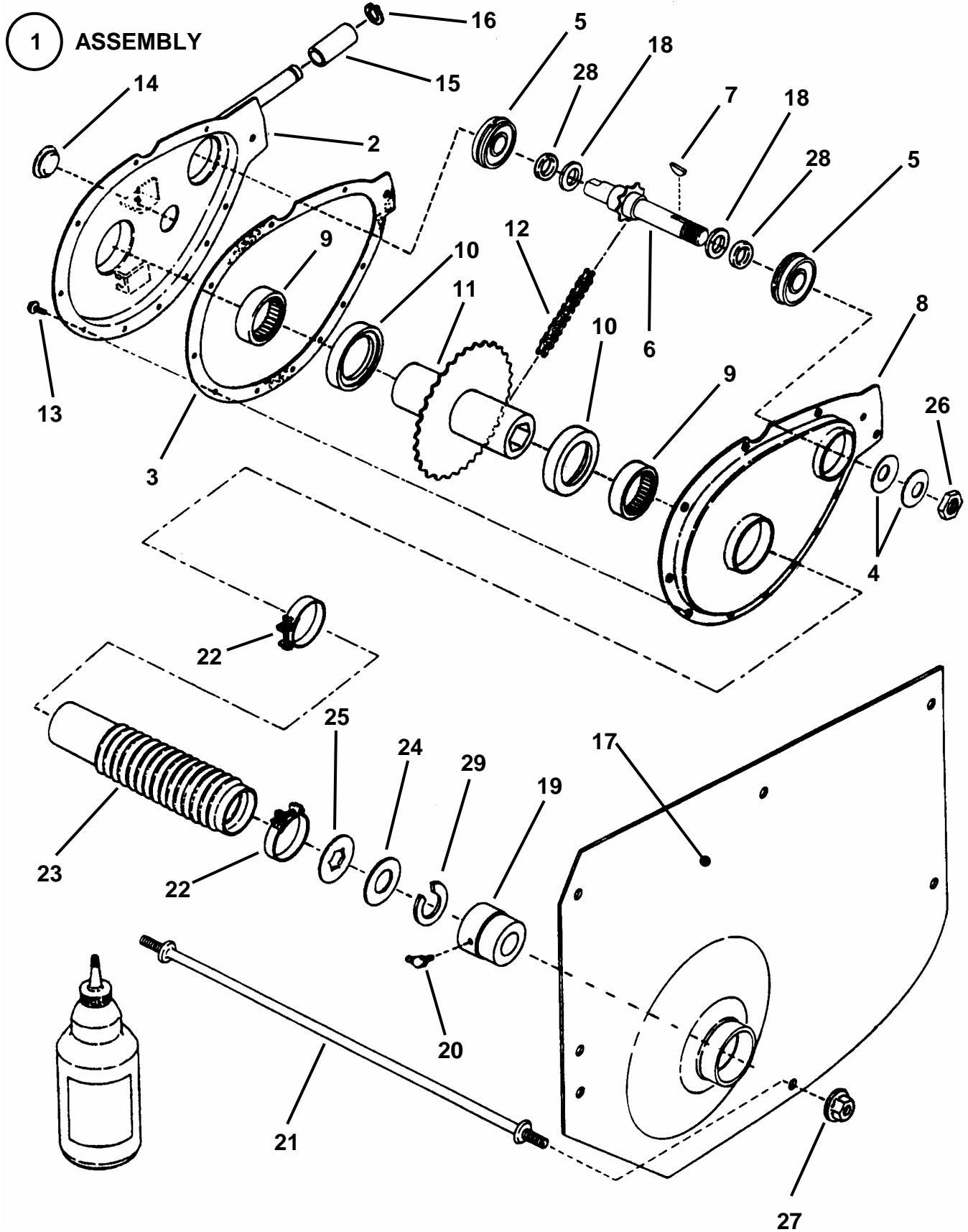
DIFFERENTIAL, R.H. FENDER



DIFFERENTIAL, R.H. FENDER

ITEM	PART NO.	DESCRIPTION
1	5-0257	ASSEMBLY, Gear/Sprocket
2	1-2296	BEARING, Axle (Right Hand Fender)
3	1-0964	GEAR 11 Teeth
4	3-1079	WASHER, Thrust
5	3-8067	PLATE, Differential
6	2-2115	SPACER, Pinion (4)
7	2-1127	GEARS, Differential Pinion (12T)(4)
8	1-1072	WASHER, Thrust
9	5-1584	ASSEMBLY, Drive Hex Tube
10	1-0988	WASHER, Nylon
11	2-1129	SPROCKET (34T)
12	1-0941	CHAIN, 46 Pitch (#35)
13	1-0969	NUT, 5/16-24 Hex Flange Lock
14	1-0965	RING, Retaining
15	2-1128	SPACER
16	1-2332	CLAMP, Boot (2)
17	1-7083	BOOT, Oil Seal
18	1-1024	PLUG, Oil Fill & Check (2)
19	3-7279	CASE, Transmission
20	2-8762	GASKET, Transmission Case
21	3-7280	FENDER, Right Hand (1.62" hole)
22	2-1158	GEAR, 63 Teeth-10 Pitch
23	4-7763	AXLE, Long (Includes Gear) (Use Only With Short Axle #5-7398)
24	1-1026	SPACER
25	5-7398	AXLE, Short (Includes Gear) (Use Only With Long Axle #4-7763)
26	1-2333	SCREW, 5/16-24 x 1-5/8" Hex Cap Special Lock (4)
27	1-1156	O-RING, 5/16 (2)
28	1-1782	WASHER, Belleville (2)
29	9-0395	WASHER, 5/16 External Tooth Lock
30	9-0188	WASHER, 5/16 Flat
31	1-1042	BOLT, 5/16-24 x 2-5/8" Idler
32	9-0361	SCREW, 5/16-18 x 5/8" Self-Tap (11)
33	9-0362	SCREW, 1/4-20 x 5/8" Self-Tap (13)
--	6-1017	GREASE, SNAPPER Transmission (24 oz.)
--	6-0411	KIT, Differential (Includes all items on this page except #16 & #17)

CHAIN CASE, L. H. FENDER

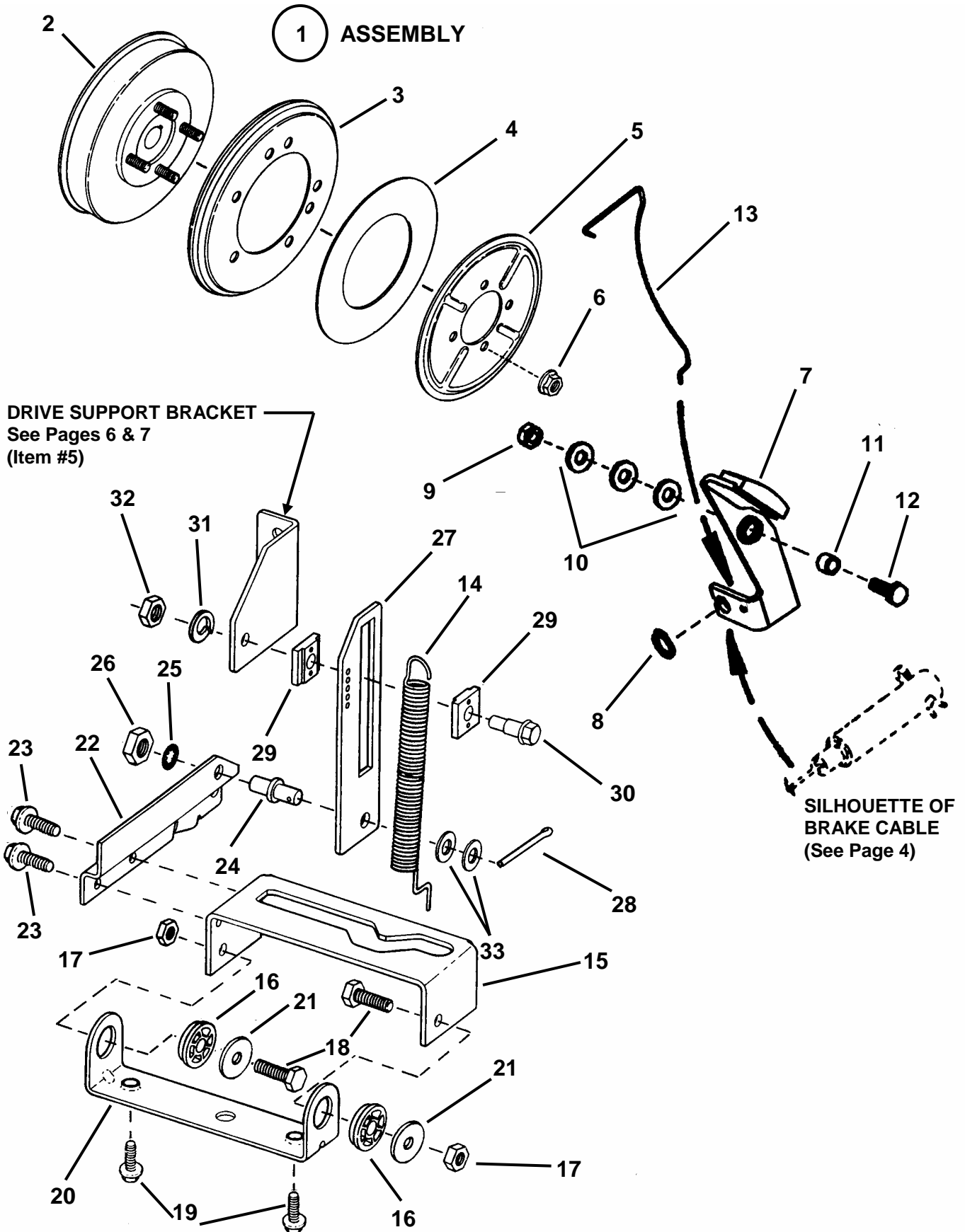


CHAIN CASE, L. H. FENDER

ITEM	PART NO.	DESCRIPTION
1	5-2683	ASSEMBLY, Chain Case (Includes Items 2 Thru 13, 15, 16, 18 & 28)
2	4-1136	CASE, Sprocket
3	2-8761	GASKET, Case Cover
4	1-1121	WASHER, Belleville (2)
5	1-0756	BEARING, Ball (2)
6	1-8963	SPROCKET & SHAFT
7	1-0614	KEY, 1/8 x 5/8" Woodruff
8	3-9778	COVER, Chain Case
9	1-0942	BEARING, Needle (2)
10	1-1086	WASHER, Nylon Thrust (2)
11	4-0355	HUB & SPROCKET
12	1-0941	CHAIN
13	9-0307	SCREW, #10-24 x 5/8" Self-Tapping (10)
14	1-1024	PLUG, Oil Fill & Check
15	2-2785	ROLLER
16	1-0776	RING, 1/2" External Retaining (Heavy Duty)
17	3-7285	FENDER, Left Hand (1.628" internal diameter hole)
18	2-7981	WASHER, Shim (6)
19	5-0918	BEARING, Left Hand Fender (Includes Item 20)
20	1-3324	FITTING, Lube
21	1-1070	ROD, Cross-Tie
22	1-2332	CLAMP, Boot (2)
23	1-7084	BOOT, Oil Seal
24	1-1071	WASHER, Thrust Nylon
25	1-1072	WASHER, Thrust
26	9-1505	NUT, 5/8-18 Hex Lock
27	1-0969	NUT, 5/16-24 Hex Flange Lock
28	1-9260	O-RING (2)
29	1-2271	WASHER, Shim (As Required)
--	6-1017	GREASE, SNAPPER Transmission (24 oz.)

NOTE: See Pages 14 & 15 For Illustration Of Brake Lever Assembly and Related Parts.

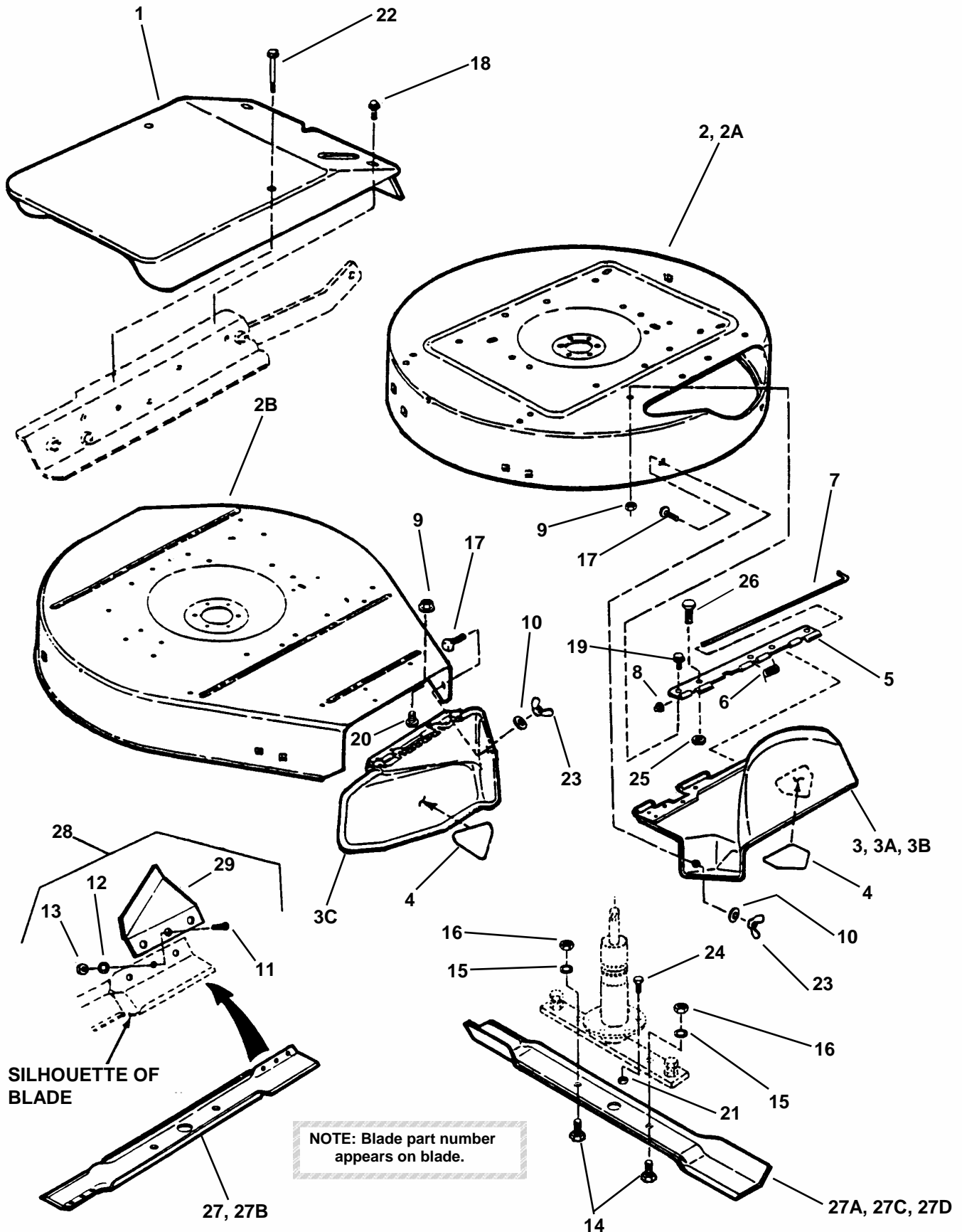
SMOOTH CLUTCH ASSEMBLY



SMOOTH CLUTCH ASSEMBLY

ITEM	PART NO.	DESCRIPTION
1	5-3114	ASSEMBLY, Smooth Clutch (Includes Items 2 Thru 6)
2	5-4243	HUB, Driven Disc
3	5-3103	DISC, Driven
4	1-4523	WASHER, Thrust
5	3-2331	PLATE
6	9-0585	NUT, 5/16-18 Hex Flange Lock (4)
7	5-2497	ASSEMBLY, Brake Lever (Includes Brake Lining & Rivet)
8	1-2313	RING, 3/8" External Retaining
9	9-0303	NUT, 1/4-28 Hex Top Lock
10	9-1294	WASHER, 1/4 Flat (3)
11	1-0916	SPACER
12	9-1504	SCREW, 1/4-28 x 1" Hex Head Cap, Grade 5
13	2-2371	SPRING, Brake Return
14	1-3885	SPRING, Clutch Brake
15	4-6162	LIFT, Yoke
16	1-1048	BEARING, Yoke (2)
17	1-1201	NUT, 5/16-24 Hex Center Lock (2)
18	9-0238	SCREW, 5/16-24 x 1" Hex Head Cap, Grade 5 (2)
19	9-1198	SCREW, 3/8-16 x 5/8" Self-Tap (2)
20	3-3291	COLLAR, Yoke
21	1-1763	WASHER, 5/16 Flat (2)
22	7-1952	ARM, Yoke
23	9-1084	SCREW, 1/4-20 x 3/8" Self-Tap (2)
24	1-5464	STUD
25	9-0390	WASHER, 3/8" Internal Tooth Lock
26	9-1630	NUT, 3/8-24 Hex
27	4-7190	BRACKET, Slide
28	9-0037	PIN, 3/32 x 3/4" Cotter
29	1-4663	SLIDE HALF (2)
30	1-4664	BOLT, 5/16-18 Shoulder
31	9-0187	WASHER, 5/16" Split Lock
32	9-0196	NUT, 5/16-18 Hex
33	9-0122	WASHER, 3/8" SAE Flat (2)

CUTTING DECKS, DEFLECTORS

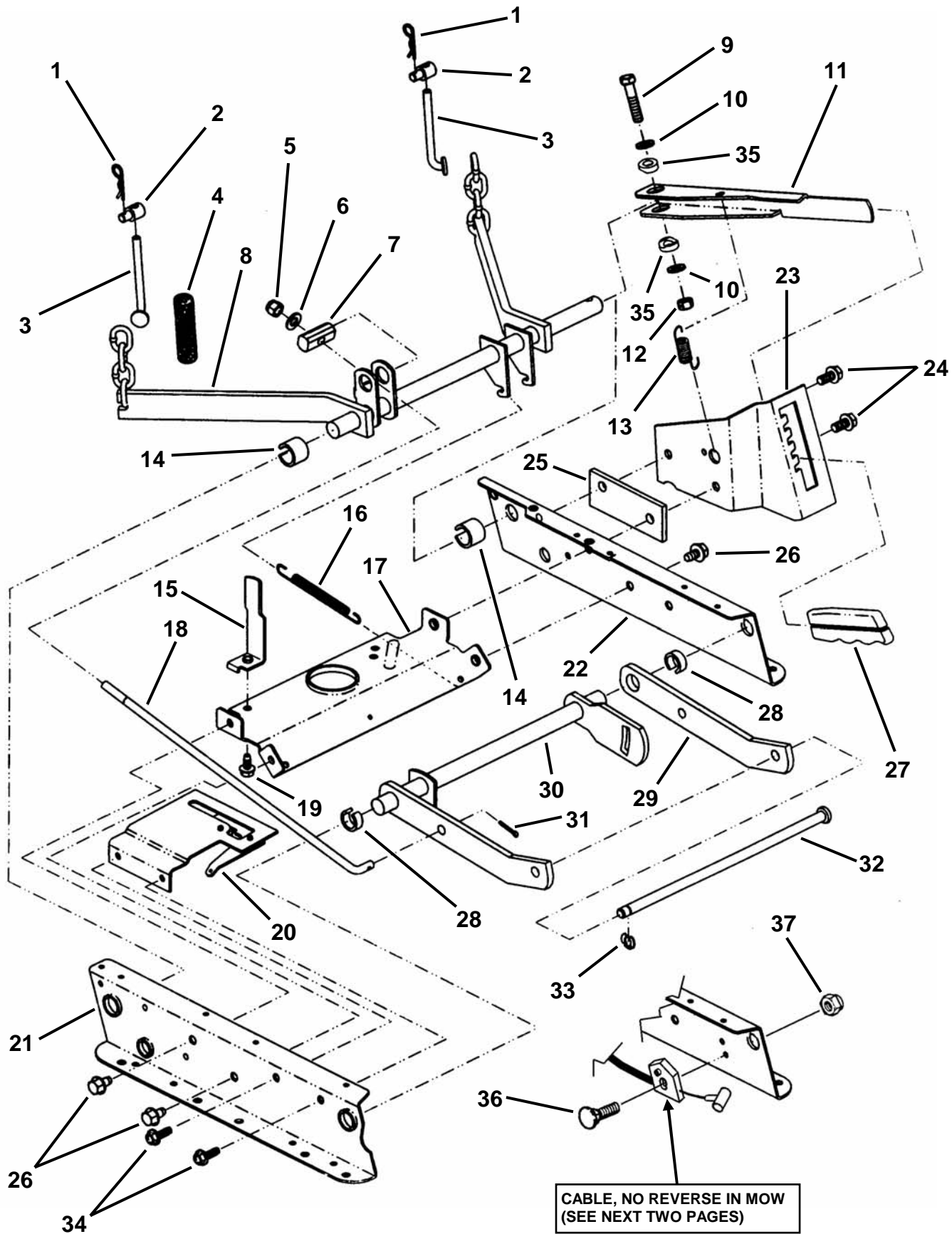


CUTTING DECKS, DEFLECTORS

ITEM	PART NO.	DESCRIPTION
1	7-3434	COVER, Spindle
2	6-1969	KIT, 25" Deck (with decals)
2A	6-1970	KIT, 28" Deck (with decals)
2B	6-1971	KIT, 30" Deck (with decals)
3	5-1976	DEFLECTOR, Discharge (25" Deck) (incl. side chute & items 4 & 5)
3A	5-4084	ASSEMBLY, Discharge (25" Deck) (includes items 4 thru 8)
3B	5-2555	ASSEMBLY, DEFLECTOR 28" Discharge (incl. deflector & items 4 thru 8)
3C	5-2553	ASSEMBLY, DEFLECTOR, 30" Discharge
4	2-6831	DECAL, Danger
5	3-3780	HINGE, Deflector
6	1-6341	SPRING, Hinge
7	2-6234	PIN, Hinge
8	2-6483	NUT, 1/4" Push (2)
9	9-1070	NUT, 5/16-18 Hex Flange Lock
10	9-1296	WASHER, 5/16" Flat (2) (25" Deck)
11	9-0228	SCREW, 5/16-24 x 11/16" Machine (6)
12	9-0391	WASHER, 5/16" Internal Tooth Lock (6)
13	9-0223	NUT, 5/16-24 Hex (6)
14	9-0491	SCREW, 1/2-20 x 1-1/4" Hex Head Cap, Grade 5 (2)
15	9-0509	WASHER, 1/2" Internal Tooth Lock (2)
16	9-1939	NUT, 1/2-20 Hex (2)
17	9-1508	BOLT, 5/16-18 x 3/4" Short Neck Carriage, Grade 5 (2) (25" Deck)
18	9-1016	SCREW, 1/4-20 x 5/8" Hex Washer Self-Tap (4)
19	9-1510	BOLT, 5/16-18 x 1/2" Hex Flange Lock, Grade 5 (3) (25" Deck)
20	9-1525	BOLT, 5/16-18 x 1/2" Hex Flange Lock (2)
21	9-0613	NUT, 3/18-16 Hex Flange Lock (9)
22	9-1015	SCREW, 1/4-20 Hex Washer Self-Tap (2)
23	9-0492	WING-NUT, 5/16-18 (2)
24	9-0612	BOLT, 3/8-16 x 3/4" Hex Flange Lock (3)
25	9-0583	NUT, 1/4-20 Hex Flange Lock, Grade 5
26	9-0584	BOLT, 1/4-20 x 1/2" Hex Flange Lock
27	1-9518	25" BLADE (EM250821BE)
27A	3-5619	25" BLADE High Lift (M250821BE)
27B	1-9515	28" BLADE (EM281021BE)
27C	3-5635	28" BLADE High Lift (M280921B & M281021BE)
27D	1-8069	30" BLADE (M300921B & M301021BE)
28	6-0480	KIT, Air Lift (25", 28", 33" Deck) (incl. items 11, 12, 13 & 29)
--	6-0735	KIT, Air Lift (30" Deck) (incl. items 11, 12, 13 & 29)
29	3-7723	AIR-LIFT (2) (25" Deck)
--	3-1724	AIR-LIFT (2) (30" Deck)

NOTE: See accessories page for mulching and Ninja Kits.

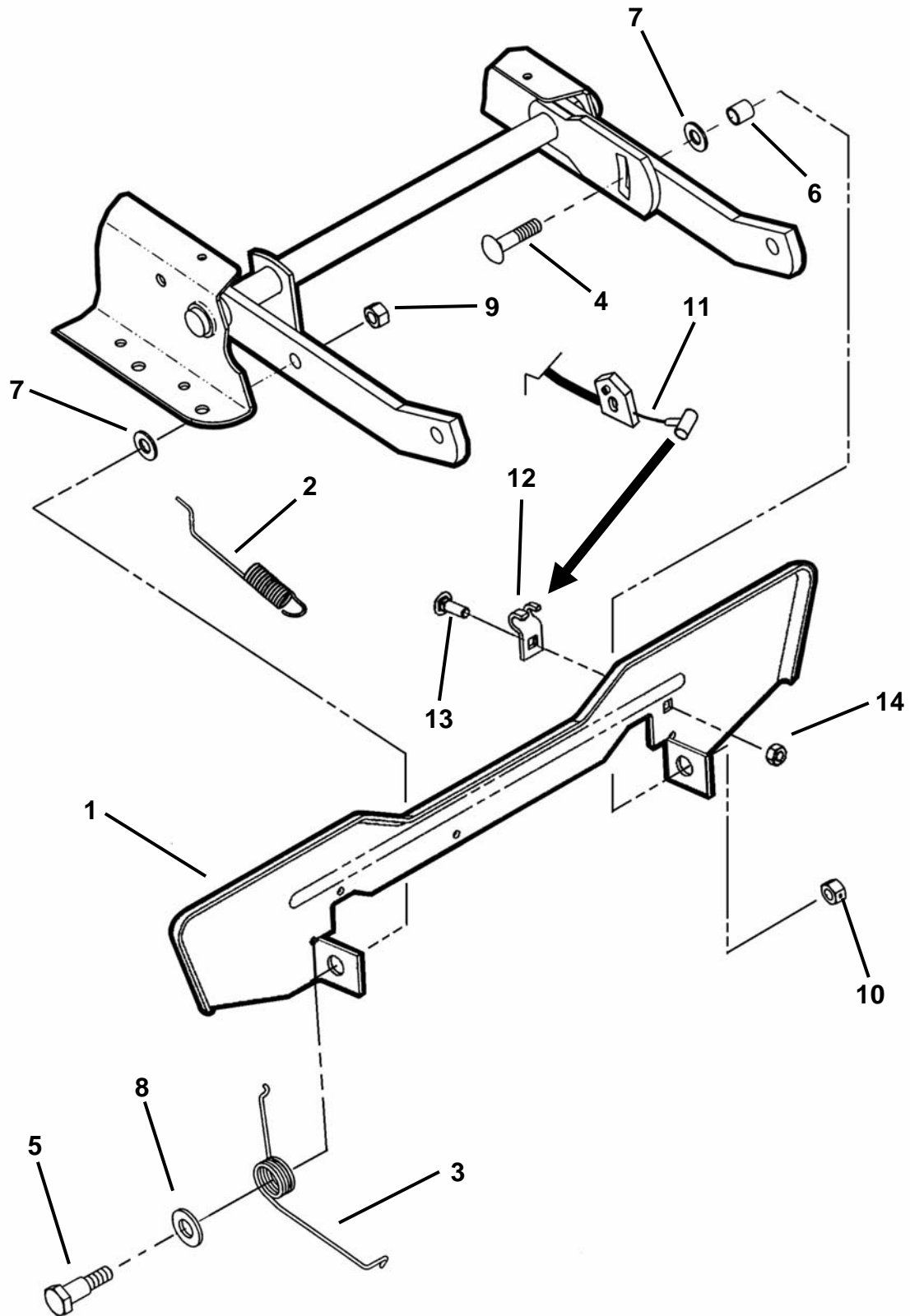
RAILS, LIFT ARMS, CAM LIFT



RAILS, LIFT ARMS, CAM LIFT

ITEM	PART NO.	DESCRIPTION
1	9-1503	HAIRPIN, 3/32" X 1-1/2" (2)
2	2-8200	SWIVEL (2)
3	2-8728	HOOK, Chain (2)
4	2-8021	COVER, Chain (2)
5	9-0854	NUT, 3/8-24 Hex Nyloc
6	9-0122	WASHER, 3/8" Flat
7	3-4213	PIVOT, Leveling
8	5-8042	ARM, Rear Lift
9	9-0483	SCREW, 3/8-24 X 1-3/4" Hex Head Cap Grade 5
10	3-2030	WASHER, 13/32" Flat (2)
11	4-6155	LEVER, Height of Cut
12	9-0289	NUT, 3/8-24 Hex Center Lock
13	4-6159	SPRING, Lever
14	1-2068	RING, Blue (2)
15	3-1855	GUIDE, Belt
16	4-6163	SPRING, Assist (2)
17	3-1838	BRACE, Top
18	1-6122	ROD, Leveling
19	9-0361	SCREW, 5/16-18 x 5/8" Self-Tap
20	5-8969	ASSEMBLY, Clutch Plate
21	4-3848	RAIL, Deck Lift, Right Hand
22	7-3269	RAIL, Deck Lift, Left Hand
23	4-6157	DETENT, Height Adjust
24	9-0324	SCREW, 3/8-16 x 1" Hex Washer Self-Tap (2)
25	4-6217	DETENT, Spacer
26	9-1198	SCREW, 3/8-16 x 5/8" Hex Washer Self-Tap (3)
27	2-6420	GRIP, Height Adjustment Lever
28	1-2067	RING, Red (2)
29	3-2997	ARM, Lift
30	5-8041	ARM, Front Lift (Weldment)
31	9-0365	PIN, 1/8 x 3/4" Cotter
32	2-2717	ROD, Support (Front Lift Arm to Front End)
33	1-7847	SNAP RING, 7/16"
34	9-0858	SCREW, 5/16-18 X 1/2" Hex Washer Self-Tap (2)
35	7-1920	SPACER, Deck Lift (2)
36	9-2051	BOLT, #10-24 x 1" Flat Head Square Neck
37	9-1290	NUT, #10-24 Hex Nyloc

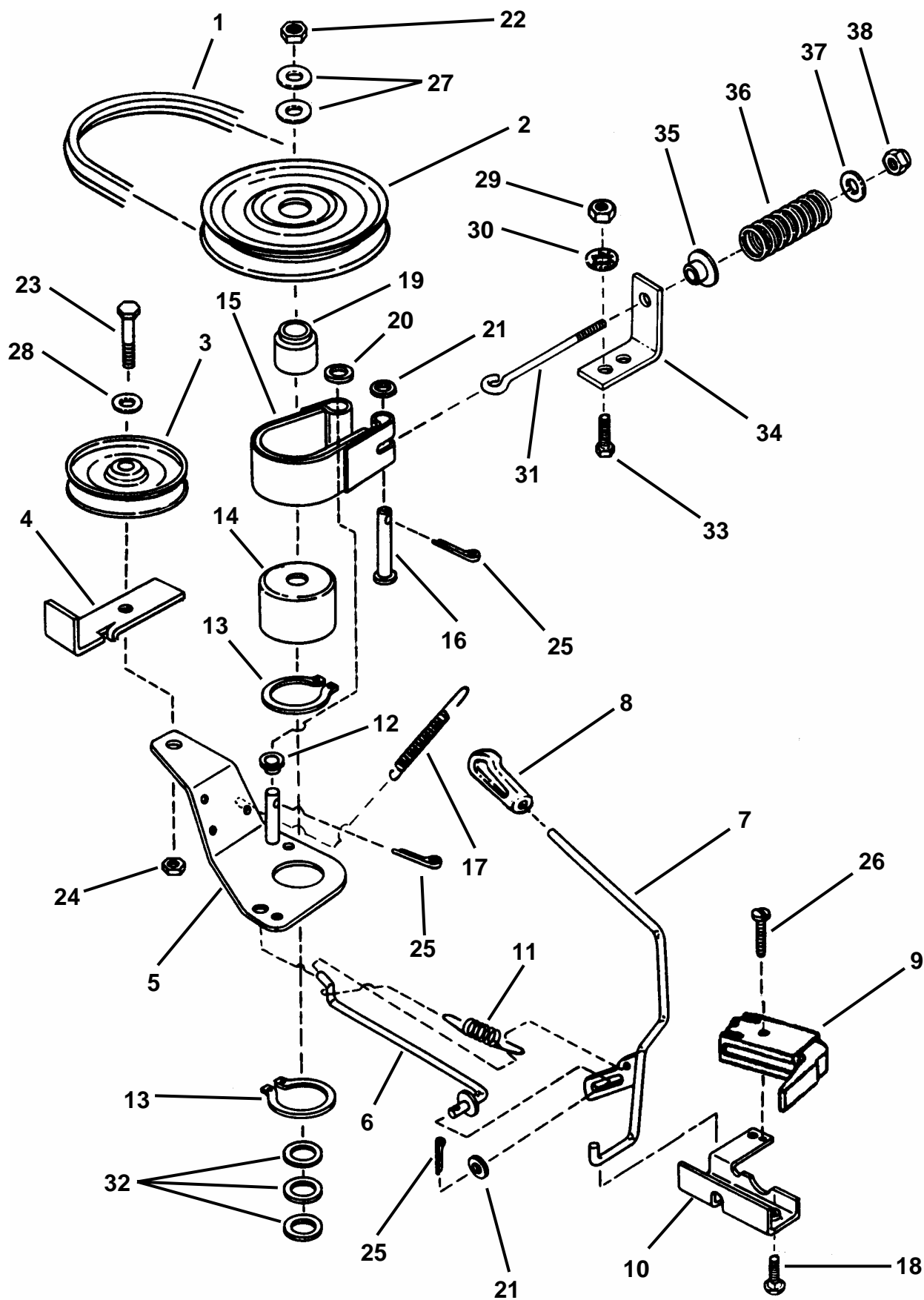
BLADE STOP PEDALS



BLADE STOP PEDALS

ITEM	PART NO.	DESCRIPTION
1	7-3267	PEDAL, Blade Stop Control
2	3-5669	SPRING, Latching
3	1-5448	SPRING, Pedal
4	9-1945	BOLT, 3/8-16 x 1-1/2 Short Neck Carriage, Grade 5
5	1-5446	BOLT, 3/8-24 x 9/16" Shoulder
6	7-1917	SPACER
7	9-0122	WASHER, 3/8" Flat (2)
8	9-0250	WASHER, 1/2" Flat
9	9-0289	NUT, 3/8-24 Hex Center Lock
10	9-1585	NUT, 3/8-16 Hex Center Lock
11	7-3216	CABLE, No Reverse In Mow
12	7-3217	CLIP, Cable
13	9-1776	BOLT, 1/4-20 x 3/4" Square Neck Carriage, Grade 5
14	9-1576	NUT, 1/4-20 Hex, Grade 5 or B

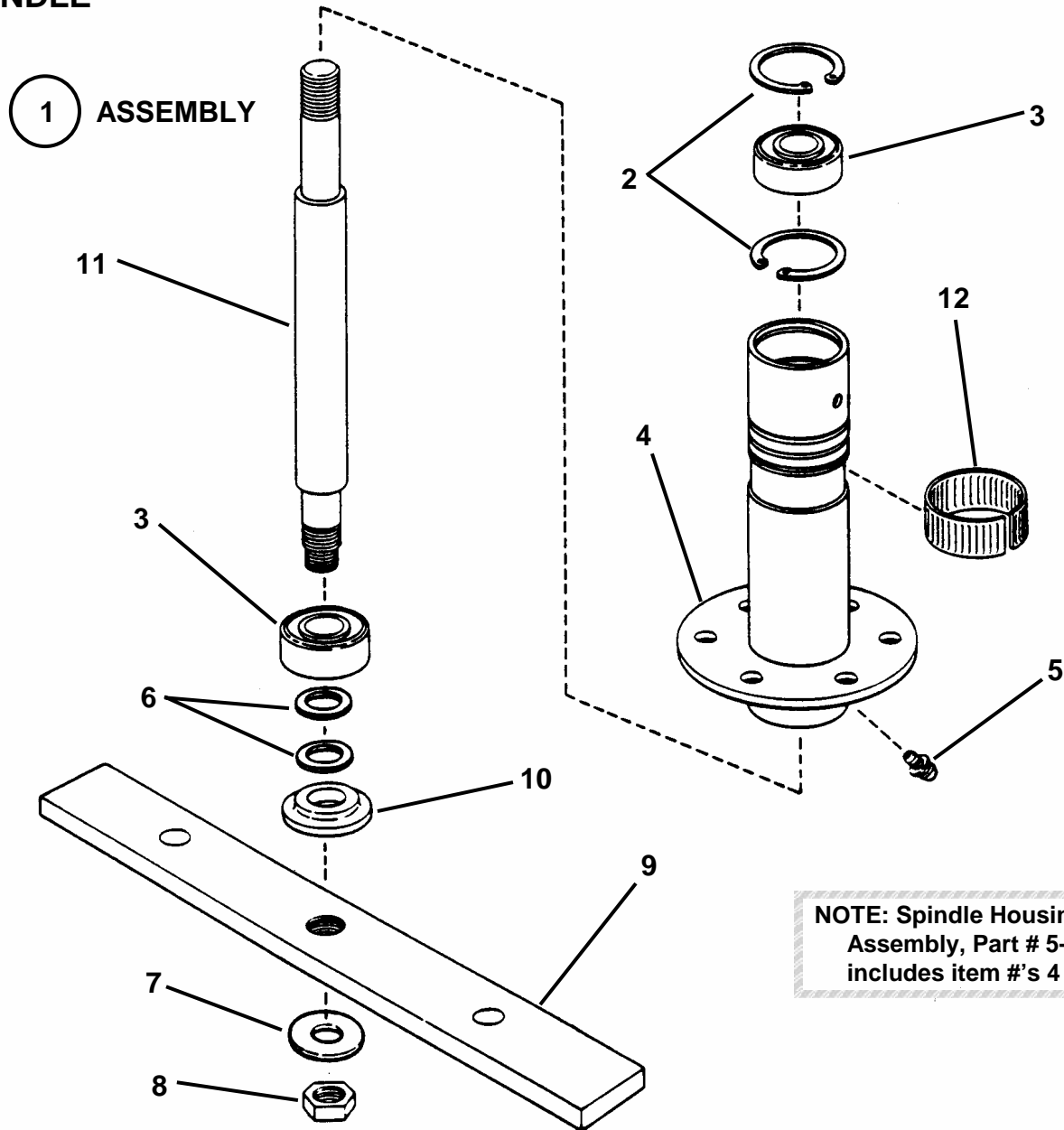
BELTS, BRAKES, INTERLOCK



BELTS, BRAKES, INTERLOCK

ITEM	PART NO.	DESCRIPTION
1	2-2252	BELT, Drive (72.25" AA Section)
2	1-8781	PULLEY, Spindle
3	2-9624	PULLEY, Idler (4" O.D., .375" I.D.)
4	3-2111	RESTRICTOR, Belt
5	4-7787	WELDMENT, Idler Arm
6	1-2055	ROD, Idler
7	4-0472	HANDLE, Blade Lever(On-Off)
8	2-3657	GRIP, Handle
9	1-8524	SWITCH, Deck Interlock
10	3-8021	MOUNT, Blade Lever and Switch
11	1-4168	SPRING, Blade Handle
12	1-4314	SPACER
13	1-0740	RING, 2" External Retaining (2)
14	3-5378	DRUM, Brake
15	3-4852	BAND, Brake
16	1-4304	PIN, 1/4 x 1-5/8" Clevis
17	3-6521	SPRING
18	9-0362	SCREW, 1/4-20 x 5/8"Hex Washer Self-Tap (2)
19	1-5290	HUB, Pulley
20	9-0122	WASHER, 3/8" Flat (2)
21	9-0055	WASHER, 1/4" Flat (2)
22	1-0027	NUT, 3/4-16 Hex Jam
23	9-1497	SCREW, 3/8-16 x 1-1/2" Hex Head Cap, Grade 5
24	9-1299	NUT, 3/8-16 Hex Nyloc (2)
25	9-0037	PIN, 3/32 x 3/4" Cotter (4)
26	9-0299	SCREW, #10-32 x 1" Hex Washer Self-Tap
27	3-2027	WASHER, 49/64 x 1-1/2" Flat (2)
28	9-1514	WASHER, 3/8" Flat
29	9-0223	NUT, 5/16-24 Hex
30	9-0391	WASHER, 5/16" Lock
31	4-6677	EYEBOLT, 1/4-20 x 4"
32	1-0935	WASHER, 3/4" Flat (3)
33	9-0233	SCREW, 5/16-24 X 3/4" Hex Head Cap, Grade 5
34	3-2243	ANCHOR
35	1-4343	BUSHING
36	4-6782	SPRING
37	9-0055	WASHER, 9/32" Flat
38	9-0761	NUT, 1/4-20 Hex Top Lock

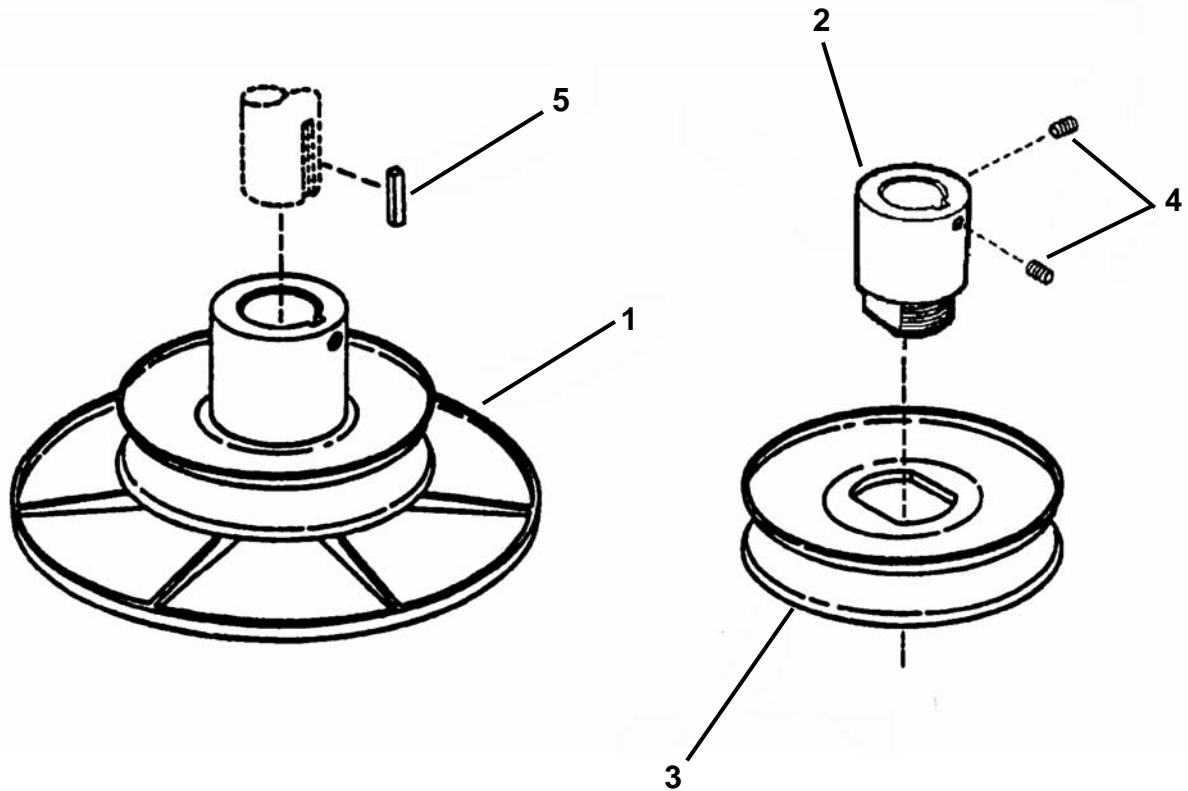
SPINDLE



**NOTE: Spindle Housing
Assembly, Part # 5-0696
includes item #'s 4 and 5.**

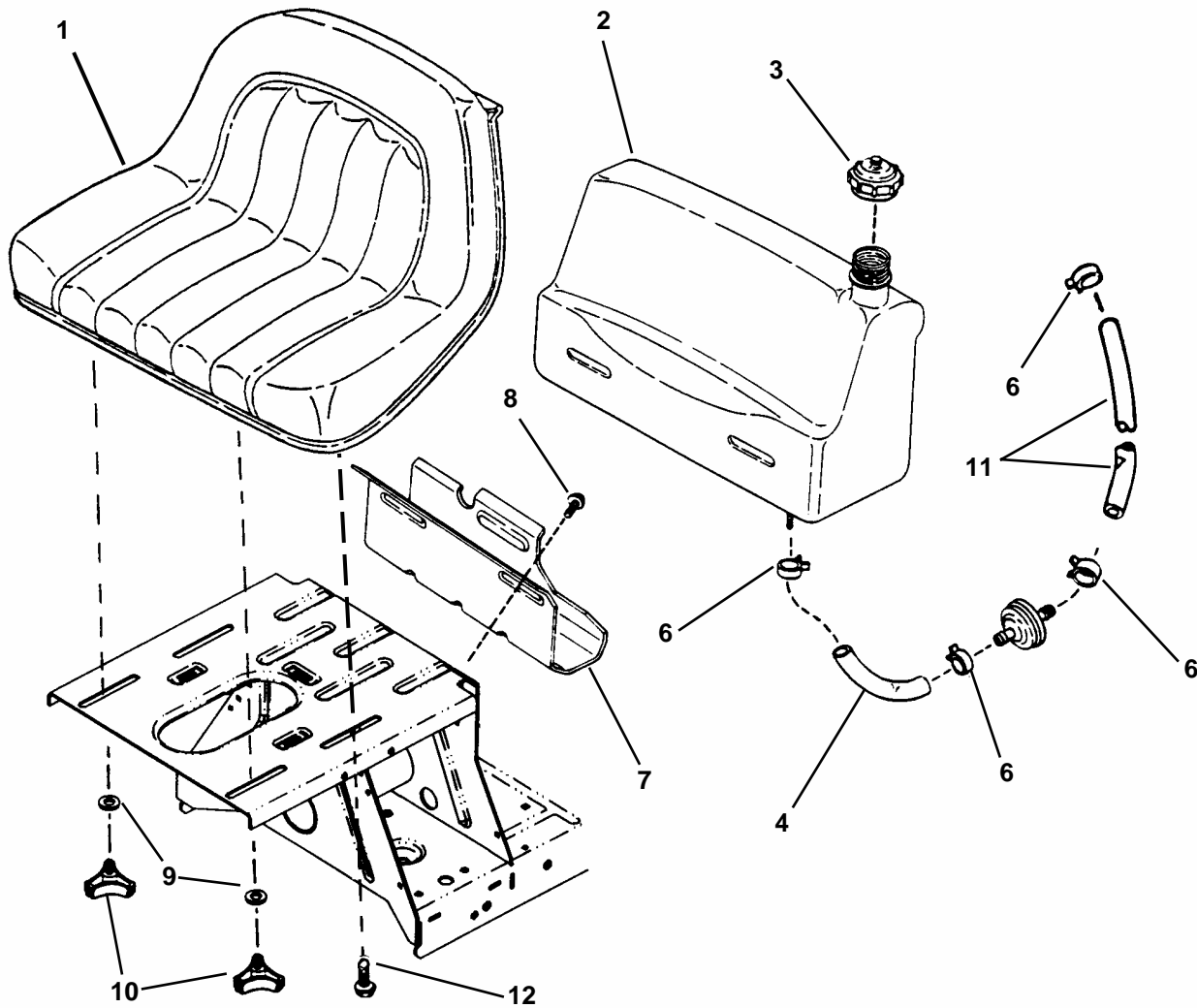
ITEM	PART NO.	DESCRIPTION
1	5-8049	ASSEMBLY, Spindle Housing (Includes Items 2 Thru 11)
2	1-2491	RING, 1.85" Internal Retaining (2)
3	1-3313	BEARING, Spindle (2)
4	4-0460	WELDMENT, Spindle Housing
5	1-0817	FITTING, Lube
6	1-0935	WASHER, 49/64" Shim
7	4-4782	SPACER, Blade Centering
8	9-0356	NUT, 5/8-18 Hex Center Jam Lock
9	3-1184	HOLDER, Blade
10	1-4407	WASHER, Spindle
11	4-4785	SPINDLE (10.237" overall length)
12	1-2670	RING, 2" Tolerance

DRIVE DISC ASSEMBLY



ITEM	PART NO.	DESCRIPTION
1	5-3708	ASSEMBLY, 5.18" O.D. Drive Disc (30" & 33" Models) (Includes Items 2 Thru 4)
-	5-3709	ASSEMBLY, 5.75" O.D. Drive Disc (25" & 28" Models) (Includes Items 2 Thru 4)
2	2-9112	HUB
3	2-8779	PULLEY, Drive (25" & 28" Models) (5.75" O.D.)
-	2-8796	PULLEY, Drive (30" & 33" Models) (5.18" O.D.)
4	9-0132	SCREW, 3/8-16 x 3/8" Set (2)
5	1-0210	KEY, 1/4" Square x 2"

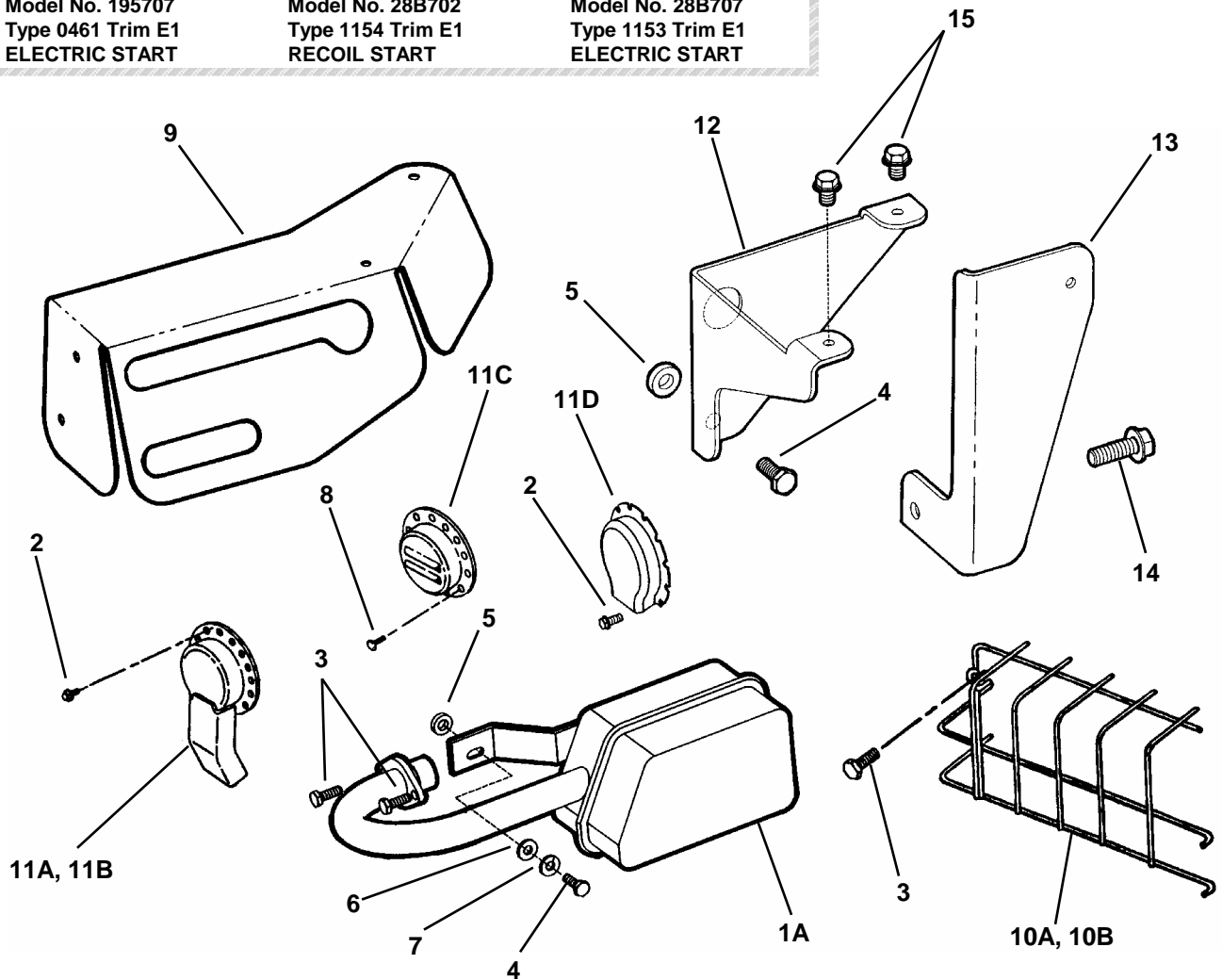
FUEL TANK & OPERATORS SEAT



ITEM	PART NO.	DESCRIPTION
1	2-9724	SEAT, Operator (Series 17)
--	2-8650	SEAT, Operator (Series 19)
2	5-1905	ASSEMBLY, Fuel Tank (Includes Item 3)
3	1-2515	CAP, Fuel Tank
4	7-6272	HOSE, Fuel (8-1/2" Long)
5	1-4359	FILTER, Fuel (In-Line)
6	1-2222	CLAMP, Fuel Line (4)
7	3-3377	BRACKET, Fuel Tank (Rear)
8	9-1542	SCREW, 5/16-18 x 1/2" Pan Head Self-Tap (2)
9	1-3849	SPACER, 21/64" (2)
10	2-3191	KNOB, 3-Prong Seat (2)
11	--	HOSE, Fuel (3-1/2" Long)
12	9-1038	BOLT, 5/16-18 x 1/2" Hex Flange Lock (2)

EXHAUST MUFFLER & ENGINES

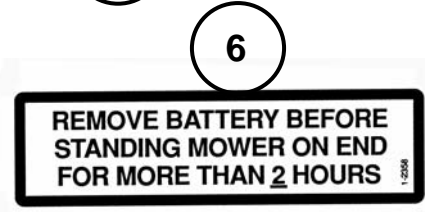
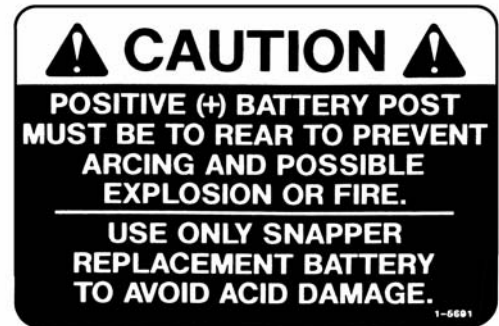
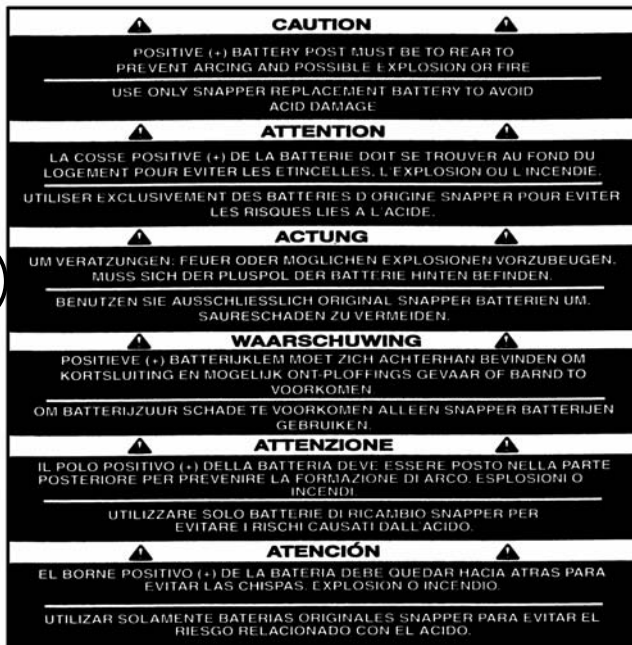
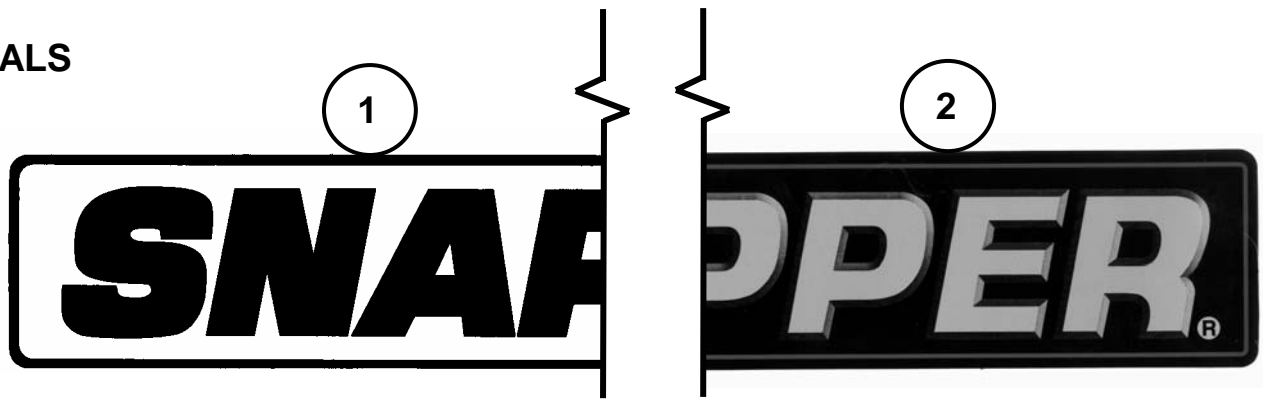
8 H.P. B & S. ENGINE Model No. 195707 Type 0461 Trim E1 ELECTRIC START	9 H.P. B & S. ENGINE Model No. 28B702 Type 1154 Trim E1 RECOIL START	10 H.P. B & S. ENGINE Model No. 28B707 Type 1153 Trim E1 ELECTRIC START
--	--	---



ITEM	PART NO.	DESCRIPTION
1A	2-8358	MUFFLER, 8HP Briggs
1B	4-1824	MUFFLER, Lo-Tone (not shown)
1C	5-1996	MUFFLER, 10HP (not shown)
2	9-1581	SCREW, #8-18 x 1/2" Self-Tap (28" w/Briggs) (10)
3	9-1495	SCREW, 1/4-20 x 3/4" Hex Head Cap, Grade 5
4	9-1059	SCREW, 1/4-20 x 1" Hex Head Cap, Grade 5
5	1-3849	SPACER
6	9-1294	WASHER, 1/4" Flat
7	9-0052	WASHER, 1/4" Split Lock
8	2-3023	SCREW, #8-18 x 3/8" Hex Hd

ITEM	PART NO.	DESCRIPTION
9	5-8578	SHIELD, Heat Euro RER
10A	2-4092	GUARD, Muffler (10 & 12 HP)
10B	2-4441	GUARD, Muffler (8 HP)
11A	4-1367	DEFLECTOR, Heat (10/12)
11B	4-1368	DEFLECTOR, Heat (8 HP)
11C	1-9257	DEFLECTOR, Heat
11D	5-8585	DEFLECTOR, Heat (Euro)
12	5-8579	BRACKET, Heat Shield
13	5-8580	BRACKET, Heat Shield
14	9-0369	SCREW, 5/16-18 x 1" Hex Washer Self Tap
15	9-1293	SCREW, 1/4-20 x 3/8" Hex Washer Self Tap (3)

DECALS



ITEM	PART NO.	DESCRIPTION
1	1-8586	DECAL, Snapper (14-1/2" long, black & white)
2	7-1916	DECAL, Snapper (14-1/2" long, silver, black & red)
3	2-9947	DECAL, Caution (Battery) Installation
4	2-9948	DECAL, Battery Storage (4 Language)
5	1-5691	DECAL, Battery Caution
6	1-2358	DECAL, Battery Storage
7	4-6562	DECAL, Certification (not shown)
8	7-2920	DECAL, Certification (not shown)
9	2-9470	DECAL, Patent Numbers (not shown)

DECALS (continued)

20

BREMSBETRIEB

ANHALTEN: KUPPLUNGS/BREMSPEDAL TRETEN.

ANZIEHEN DER PARKBREMSE: KUPPLUNGS/BREMSPEDAL TRETEN. PARKBREMSENZUGRIEGEL HOCHZIEHEN UND KUPPLUNGS/BREMSPEDAL LOSLASSEN.

ZUM LOSLASSEN DER PARKBREMSE: KUPPLUNGS/BREMSPEDAL TRETEN.

BETRIEB DES MESSERS

EINSCHALTEN DES MESSERS: MESSERHEBEL AUF „ON“ BZW. EIN UND „HOLD“ (FESTHALTEN). MESSERPEDAL MIT DEM ABSATZ TRETEN. ZUM MAHLEN ABSATZ AUF DEM MESSERPEDAL LASSEN.

AUSSCHALTEN DES MESSERS: ABSATZ WEG VOM MESSERPEDAL ODER MESSERHEBEL AUF „OFF“ BZW. AUS.

22215GER

21

FONCTIONNEMENT DES FREINS

POUR L'ARRÊT: APPUYEZ SUR LA PÉDALE EMBRAYAGE/FREIN.

POUR METTRE LES FREINS DE STATIONNEMENT: APPUYEZ SUR LA PÉDALE EMBRAYAGE/FREIN. SOULEVEZ LE LOQUET DU FREIN DE STATIONNEMENT ET RELÂCHEZ LES PÉDALES EMBRAYAGE/FREIN.

POUR RELÂCHER LES FREINS DE STATIONNEMENT: APPUYEZ SUR LA PÉDALE EMBRAYAGE/FREIN.

FONCTIONNEMENT DE LA LÂME

POUR ACTIONNER LA LÂME: DÉPLACER LE LEVIER EN LE MAINTENANT. APPUYEZ AVEC LE TALON. MAINTENEZ UN DE VOS TALONS SUR LA PÉDALE POUR TONDRE.

POUR ARRÊTER LA LÂME: RETIRER VOTRE TALON DE LA PÉDALE OU PLACER LE LEVIER SUR OFF.

22216FR

22

REMBEDIENING

OM TE STOPPEN: DUW ONTKOPPELING/REMPEDAAL IN.

OM PARKEERREM AAN TE ZETTEN: DUW ONTKOPPELING/REMPEDAAL IN. HEF PARKEERHEFBOOM OP. EN LAAT ONTKOPPELING/REMPEDALEN LOS.

OM PARKEERREM LOS TE LATEN: DUW ONTKOPPELING/REMPEDAAL IN.

MESBEDIENING

OM HET MES TE STARTEN: TREK MESHEFBOOM NAAR „ON“ EN HOUD VAST DUW OP MESPEDAAL MET HIEL. HOUD HIEL OP MESPEDAAL OM TE MAAIEN.

OM HET MES TE STOPPEN: VERWIJDER HIEL VAN MESPEDALEN OF VERPLAATS MESHEFBOOM NAAR „OFF“.

22218

23

⚠ CAUTION ⚠

DEFLECTOR MUST BE FASTENED DOWN OR GRASS CATCHER INSTALLED BEFORE OPERATING MOWER

1-6972

24

⚠ CAUTION/OPGEPAST ⚠

DEFLECTOR MUST BE FASTENED DOWN OR GRASS CATCHER INSTALLED BEFORE OPERATING MOWER.

DEFLEKTOR NEERLATEN OF GRASOPVANGZAK AANBRENGEN ALVORENS DE GRASMAAIER TE STARTEN.

25

⚠ ATTENTION VORSICHT ⚠

LE DEFLECTEUR LATÉRAL OU LE BAC DE RAMASSAGE DOIVENT ÊTRE INSTALLÉS AVANT L'UTILISATION DE LA TONDEUSE.

VOR INBETRIEBNAHME DES MAHERS SIND AUSWURFBLECH BZW. GRASFANGVORRICHTUNG ZU BEFESTIGEN.

24029 F/GER/IT

27

- ⊘ De machine niet gebruiken zonder de grasopvangzak of de beschermkap
- ⊘ Do not operate without entire Grass Catcher or Guard in place
- ⊘ Ne pas utiliser sans le bac de ramassage ou la projection en place
- ⊘ Betreiben Sie dieses Gerät nicht ohne Grasfangkorb oder Abdeckschutz
- ⊘ No manejar la máquina sin el recogedor o el protector en su lugar
- ⊘ Non utilizzar senza il Raccogliore dell'Erba o senza Protezione

ITEM	PART NO.	DESCRIPTION
20	2-2215	DECAL, Brake Operation (Germany)
21	2-2216	DECAL, Brake Operation (French)
22	2-2218	DECAL, Brake Operation (Dutch)
--	7-3201	DECAL, Brake Operation (Italian) (not shown)
--	7-3202	DECAL, Brake Operation (Spanish) (not shown)
23	1-6972	DECAL, Deflector Instruction
24	2-9839	DECAL, Deflector Instruction (English/Dutch)
25	2-4052	DECAL, Deflector Instruction (French/German)
26	4-6720	DECAL, Chute/Deflector Warning
27	2-9784	DECAL, Chute/Deflector Warning (International)

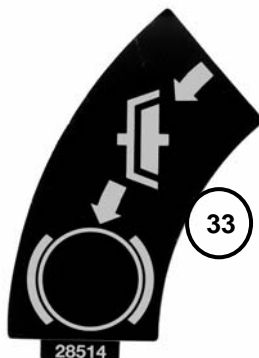
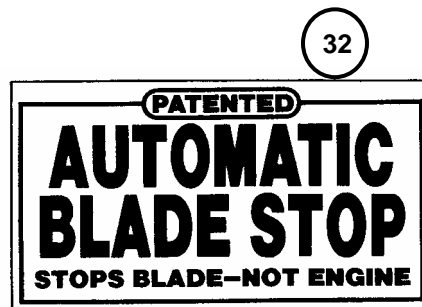
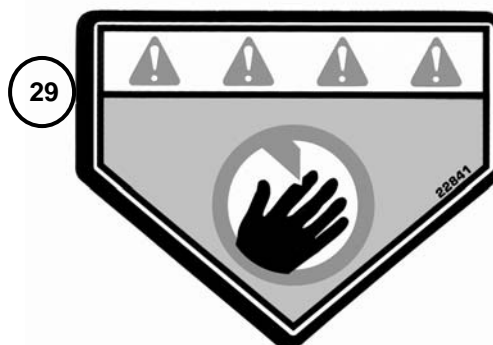
26

⚠ WARNING

GUARD OR ENTIRE GRASS CATCHER MUST BE INSTALLED BEFORE OPERATING MOWER

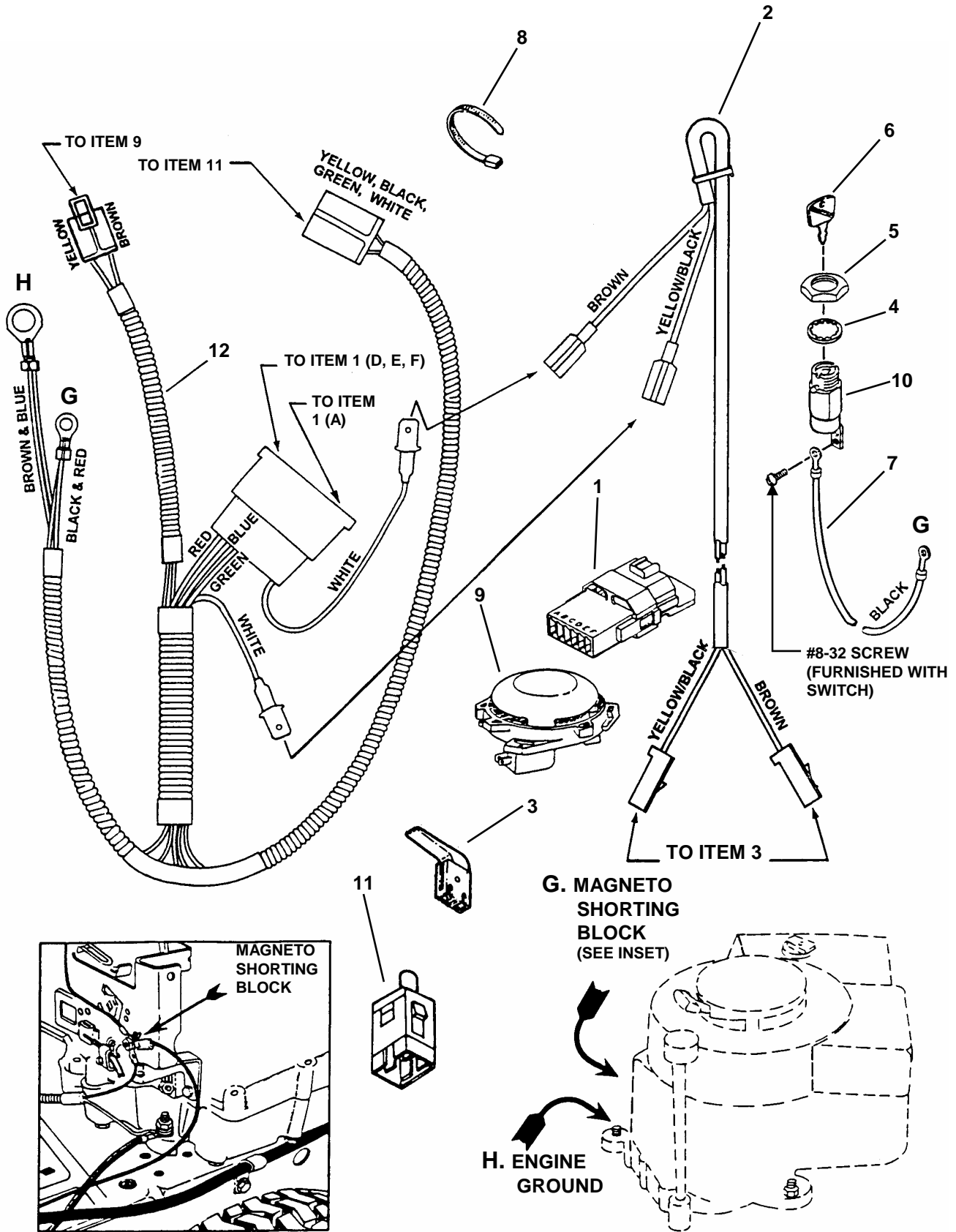
46720

DECALS
(continued)



ITEM	PART NO.	DESCRIPTION
28	2-6831	DECAL, Danger
29	2-2841	DECAL, Danger (International)
30	2-3992	DECAL, 25" Patented Hi-Vac
--	2-3996	DECAL, 28" Patented Hi-Vac (not shown)
--	2-3997	DECAL, 30" (not shown)
31	1-6973	DECAL, Caution (Rotating Blades)
32	2-4072	DECAL, ABS Pedal
33	2-8514	DECAL, Clutch/Brake (Symbol)
34	2-3009	DECAL, Noise
35	4-6218	DECAL, Height of Cut

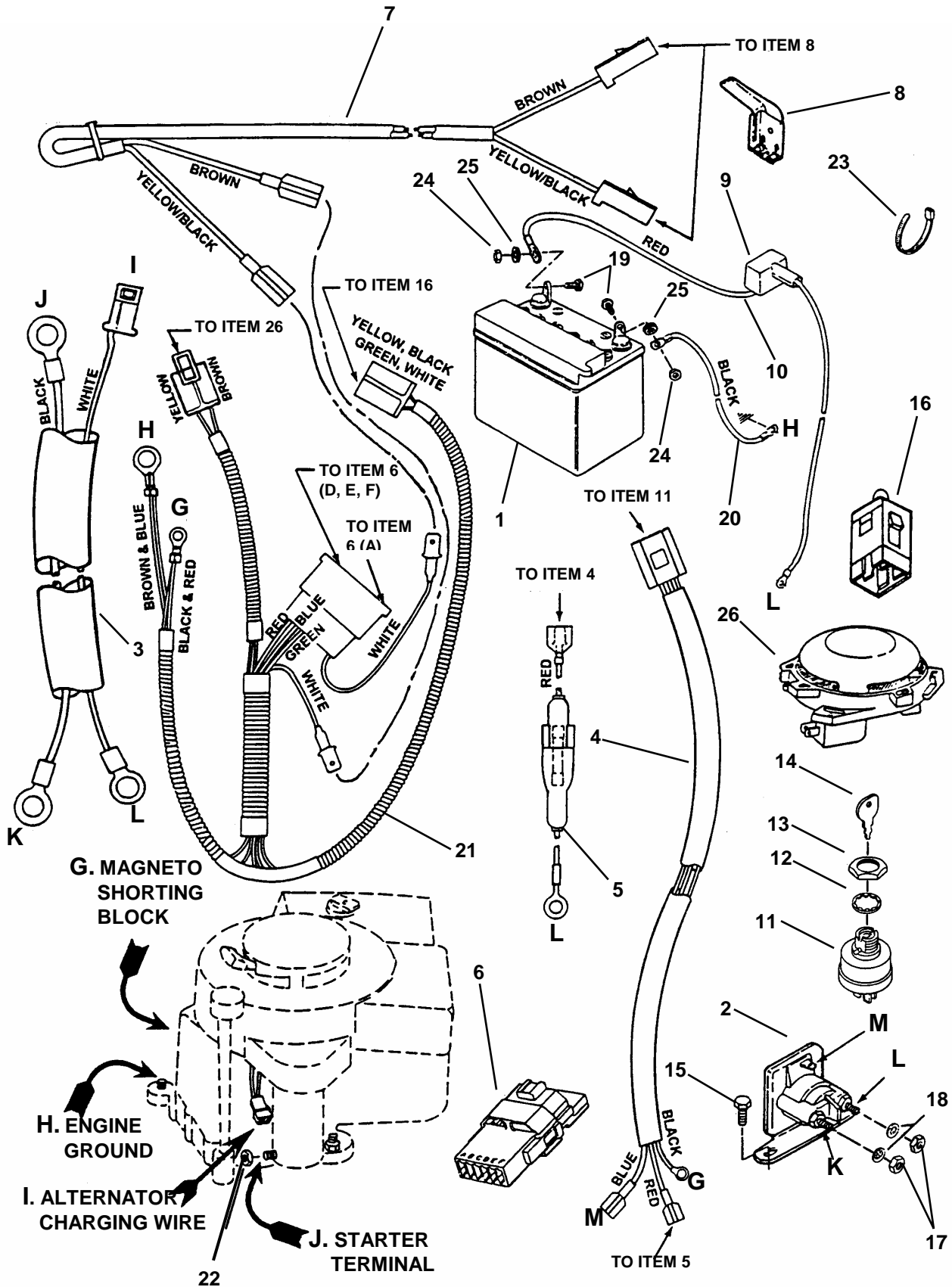
ELECTRICAL SYSTEMS (For Recoil Start)



ELECTRICAL SYSTEMS (For Recoil Start)

ITEM	PART NO.	DESCRIPTION
1	2-8606	INTERLOCK, Module
2	2-8386	HARNESS, Deck Interlock
3	1-8524	SWITCH, Deck Interlock (NO)
4	9-0880	WASHER, 5/8 Internal Tooth Lock
5	1-5438	NUT, 5/8-32 Hex
6	1-1138	KEY, Switch (2)
7	1-9299	WIRE, Ground (Recoil Start)
8	1-2080	TIE, 7" Long Cable (3)
9	2-9211	SWITCH, Seat (NC)
10	1-1853	SWITCH, (Recoil Start)
11	2-2886	SWITCH, Traction Operator's Presence (NC/NO)
12	2-8607	HARNESS, Operator's Presence Control

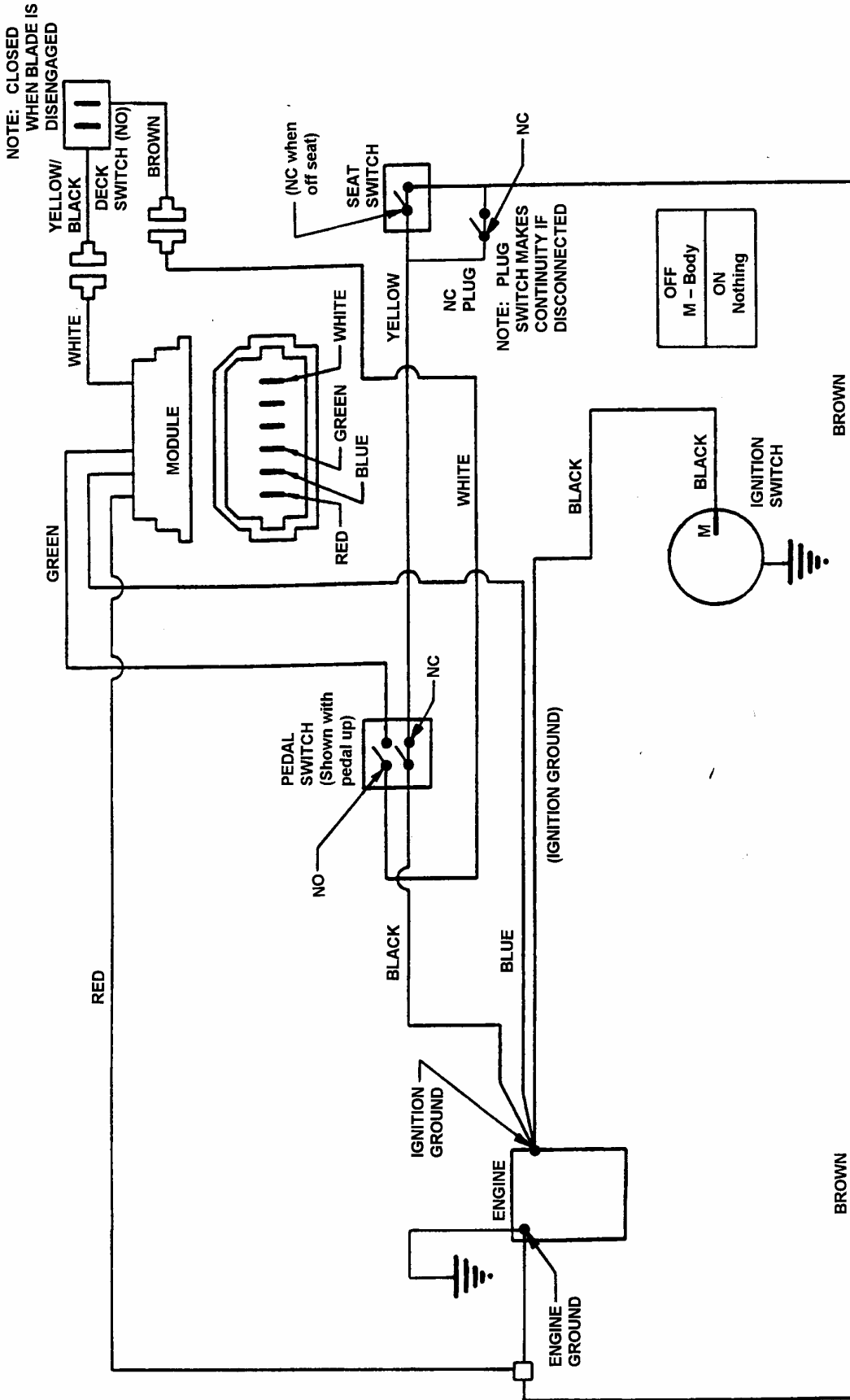
ELECTRICAL SYSTEMS (For Electric Start)



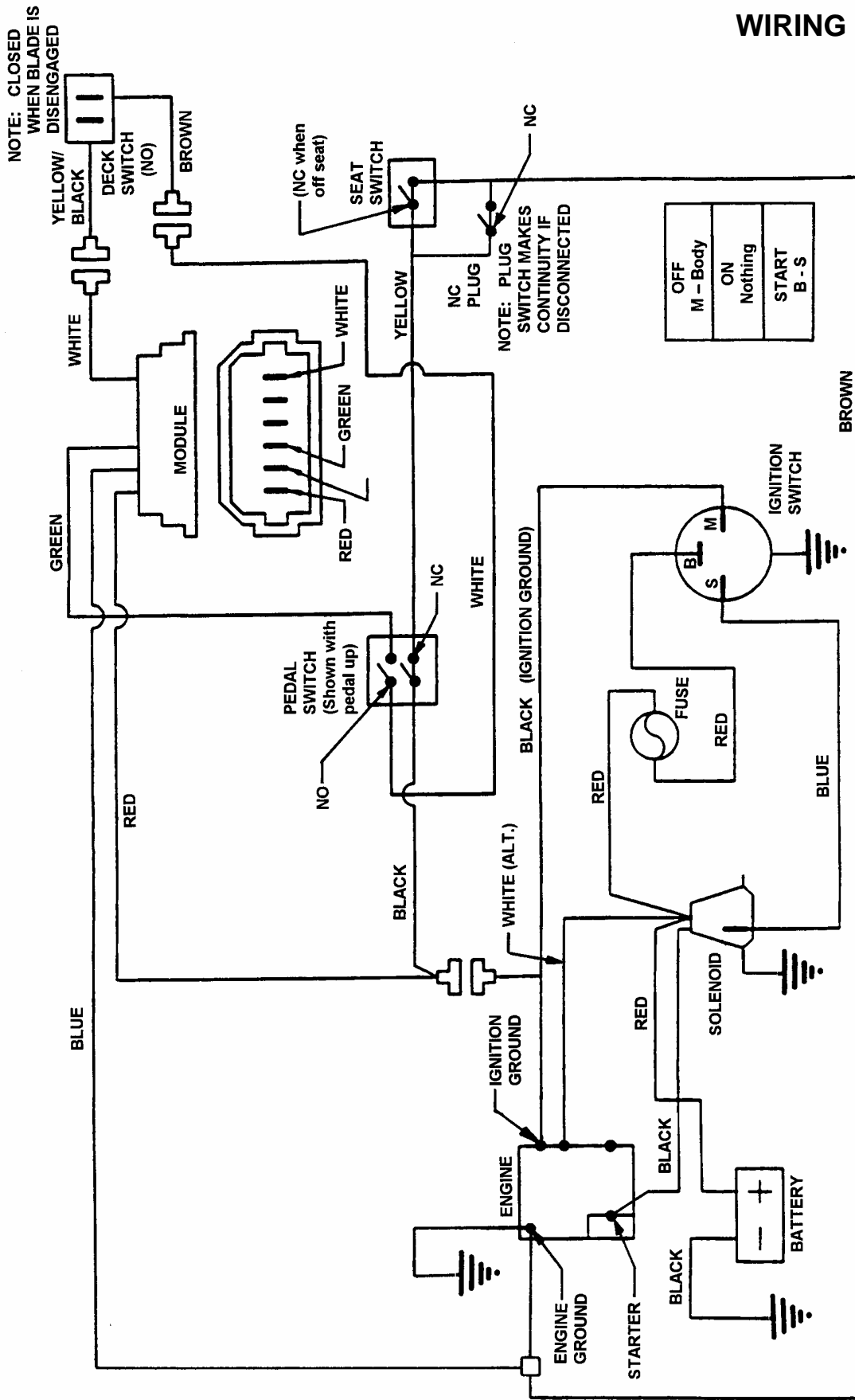
ELECTRICAL SYSTEMS (For Electric Start)

ITEM	PART NO.	DESCRIPTION
1	6-0753	KIT, 12V Dry Charge Battery
--	4-3802	BATTERY, 12V Wet ("W" models only)
2	1-8817	SOLENOID
3	2-2788	HARNESS, Starter Wiring (Briggs)
4	7-1915	HARNESS, Ignition Wiring (Briggs)
5	1-6168	HOLDER, Fuse (Includes Fuse)
--	1-6169	FUSE (10 AMP)
6	2-8606	INTERLOCK Module (Briggs)
7	2-8386	HARNESS, (Deck Interlock Wiring)
8	1-8524	SWITCH, Deck Interlock (NO)
9	1-2444	COVER, Battery Cable
10	1-9326	CABLE, Positive (Red)
11	1-8816	SWITCH, Ignition (Used With Electric Start) (includes item 14)
12	9-0880	WASHER, 5/8" Internal Tooth Lock
13	1-5438	NUT, 5/8-32 Hex
14	1-1138	KEY, Switch (2)
15	9-0539	SCREW, 1/4-20 x 1/2" Hex Washer Self-Tap (3)
16	2-2886	SWITCH, Operator Presence Control Traction (NC/NO)
17	9-1576	NUT, 1/4-20 Hex (4)
18	9-0053	WASHER, 1/4 Internal Tooth Lock (2)
19	2-7172	SCREW, 1/4-20 x 5/8" Hex Head Cap (2)
20	2-8027	CABLE, Negative
21	2-8607	HARNESS, Operator Presence Control Wire
22	9-1576	NUT, 1/4-20 Hex
23	1-2080	TIE, 7" Long Cable (2)
24	9-0372	NUT, 1/4-20 Hex Center Lock (2)
25	1-2485	RETAINER, Bolt (25" Models Only!) (2)
26	2-9211	SWITCH, Seat (NC)
28	9-0299	SCREW, #10-32 x 1" Hex Washer Self Tap

WIRING SCHEMATICS

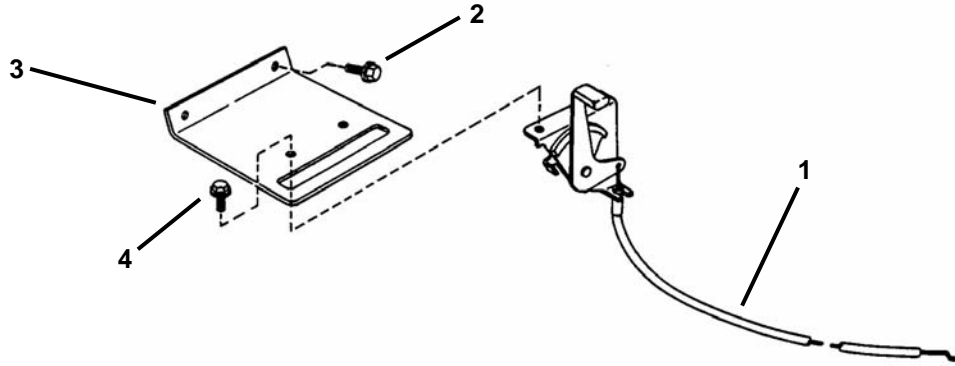


WIRING SCHEMATIC FOR 9 HP RECOIL START (Briggs Engines)



WIRING SCHEMATIC FOR 8 & 10 HP ELECTRIC START (Briggs Engines)

THROTTLE CONTROL



ITEM	PART NO.	DESCRIPTION
1	2-2751	CONTROL, Throttle (23.6" long)
2	9-0539	SCREW, 1/4-20 x 1/2" Hex Washer Self-Tap (2)
3	3-3470	PLATE, Throttle Control
4	9-0913	SCREW, #10-24 x 1/2" Hex Washer Self-Tap (2)

ACCESSORIES & ATTACHMENTS

SNAPPER SERIES 21 REAR ENGINE RIDER ACCESSORIES

PART NO.	DESCRIPTION OF KIT	MODELS USED ON
6-0517	Wheel Weight (8" Wheels)	All Rear Engine Riders
6-0697	Dump Cart	All Rear Engine Riders
6-0942	Single Bag Catcher	All 30" Deck Rear Engine Riders
6-0325	Drive Disc Puller	All RER Aluminum Discs
6-0327	Wheel Hub Puller	All Rear Engine Riders
6-0943	Single Bag Catcher	All 28" Deck Rear Engine Riders
6-0947	Bag-N-Wagon	All 28" Deck Rear Engine Riders
6-0948	Thatcherizer	All Rear Engine Riders
6-0964	Wagon Cover	All 28" Deck Rear Engine Riders
6-1190	Weight (Front)	All Rear Engine Riders
6-0959	Dozer Blade (36" Blade)	All Rear Engine Riders
6-0357	Tire Chains (Tires-16 x 6.50-8)	All Rear Engine Riders
6-0358	Tire Chains (Tires-16 x 4.80-8)	All Rear Engine Riders
6-1049	Ninja Recycling	All 25" Deck Rear Engine Riders
6-1253	Ninja Recycling	All 28" Deck Rear Engine Riders
6-1254	Ninja Recycling	All 30" Deck Rear Engine Riders
6-1157	Anti-Scalping	All 30" Deck Rear Engine Riders
6-3071	Steering Stop	Rear Engine Riders (M-17)
6-1910	Utility Trailer (10 Cubic Feet)	
6-1911	Aerator (36")	
6-1912	Dethatcher (40")	
6-1913	Lawn Sweeper (36")	
6-1914	Dethatcher Kit (For 36" Sweeper)	
6-1915	Lawn Roller (24" & 36")	
6-1916	Broadcast Spreader (3.5 Feet)	

HARDWARE BAG

ITEM	PART NO.	DESCRIPTION	LOCATION
--	6-1401	HARDWARE BAG (incl. items listed below)	
1	1-1024	PLUG, Oil Fill & Check (2)	page 9, item 18
2	1-3321	BUSHING, Tie Rod (2)	page 5, item 12
3	1-3849	SPACER, 21/64" (2)	page 24, item 9
4	1-3862	PIN, 1/4 x 1-1/2" Roll	page 5, item 3
5	2-3191	KNOB, 3-Prong Seat (2)	page 24, item 10
6	2-3667	FOAM COVER, Steering Shaft	page 5, item 23
7	2-3671	COVER, Steering Shaft	page 5, item 43
8	2-8395	SPACER, Pivot (4)	page 5, item 33
9	2-9211	SWITCH, Seat (NC)	pg. 41 (9), pg. 33 (26)
10	9-0372	NUT, 1/4-20 Hex Center Lock (2)	page 5, item 39
11	9-1038	BOLT, 5/16-18 x 1/2" Hex Flange Lock (2)	page 24, item 12
12	9-1514	WASHER, 3/8" Flat (2)	page 5, item 42
13	9-1515	PIN, 3/16 x 1-1/2" Cotter	
14	9-1516	PIN, 5/32 x 1" Cotter (2)	page 5, item 41
15	9-0296	PIN, 3/16 x 1" Cotter	page 5, item 24

Parts Manual for

SNAPPER®

**STANDARD
REAR ENGINE RIDER
SERIES 21**

IT IS THE POLICY OF SNAPPER TO IMPROVE ITS PRODUCTS WHENEVER IT IS POSSIBLE AND PRACTICAL TO DO SO. WE RESERVE THE RIGHT TO MAKE CHANGES OR ADD IMPROVEMENTS AT ANY TIME WITHOUT INCURRING ANY OBLIGATION TO MAKE SUCH CHANGES ON PRODUCTS MANUFACTURED PREVIOUSLY.

SNAPPER® McDonough, GA., 30253 U.S.A.

COPYRIGHT © 2002
SNAPPER INC.
ALL RIGHTS RESERVED

MANUAL No. 06075

(Rev. 1, 09/30/02)

Printed in U.S.A.