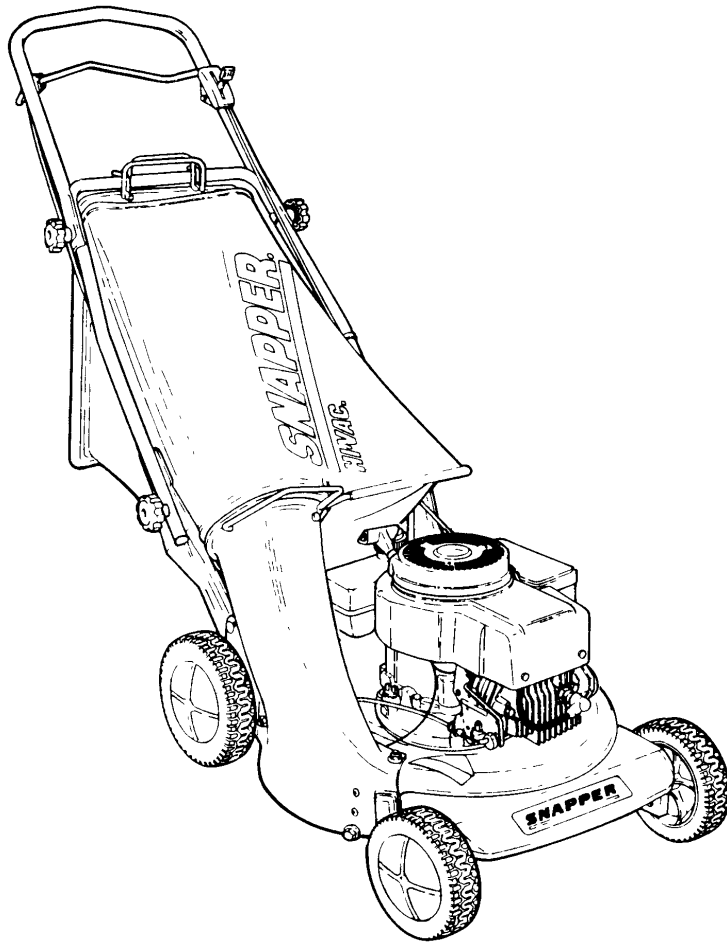


Parts Manual for

SNAPPER®

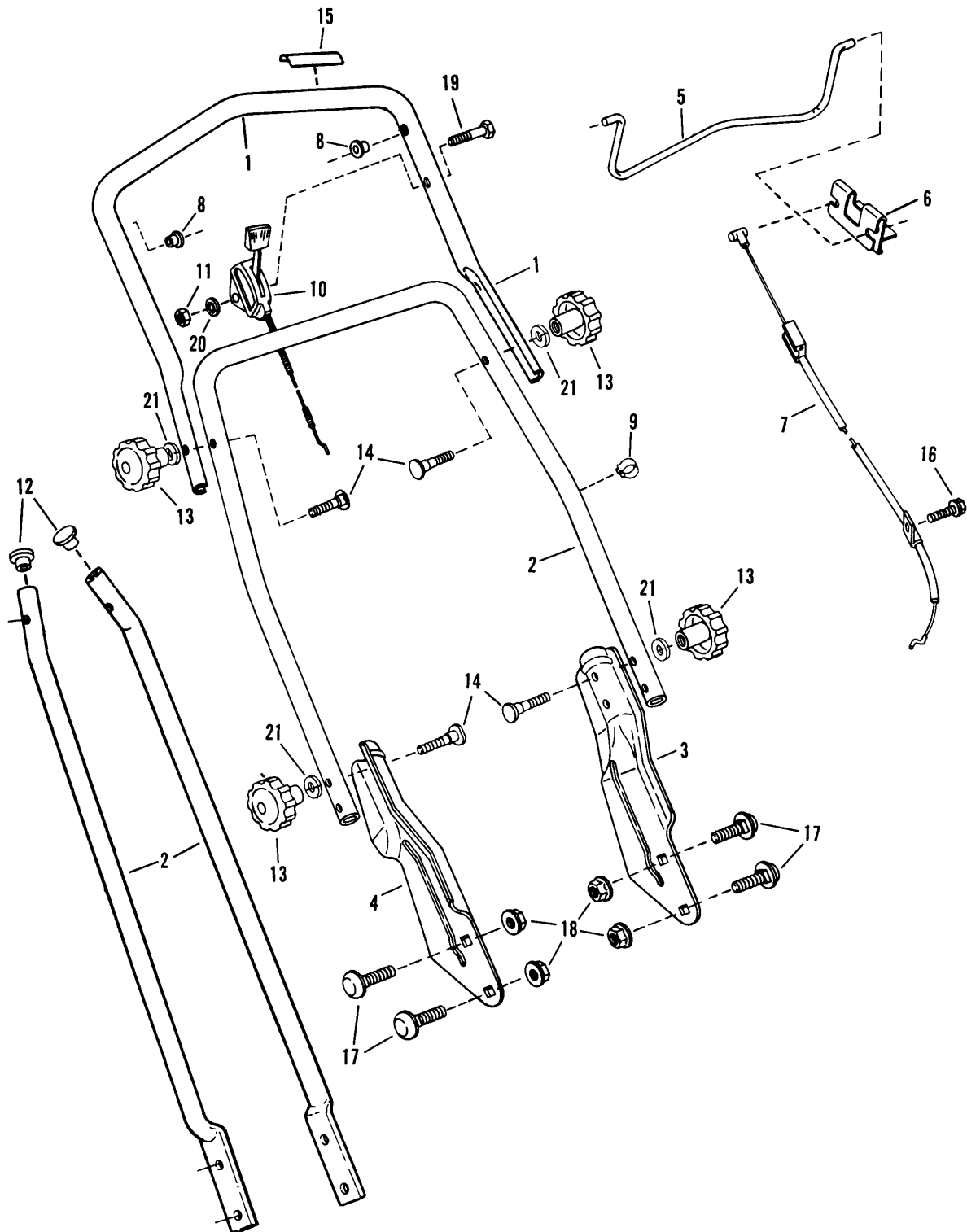
19" LIGHT WEIGHT (STANDARD & OPP) WALK BEHIND MOWERS SERIES 9



MODEL
DLW359T
DLW409R2
LW359T
LW359T2
ODLW309T
RLW359T

SNAPPER® McDonough, GA, 30253 U.S.A.

PAGE	GROUP
4	Handles & Controls
6	Cutting Deck, Blade, Interlock
8	Cutting Deck, Blade, Interlock (OPP Models Only)
10	Wheels, Guards, Axles
12	Wheels, Guards, Axles (OPP Models Only)
14	Decals
16	Accessory - Grass Bag
18	Accessory - Side Chute, Adapter
20	Accessory - Recycling Kits
22	Accessory - Snapperizer

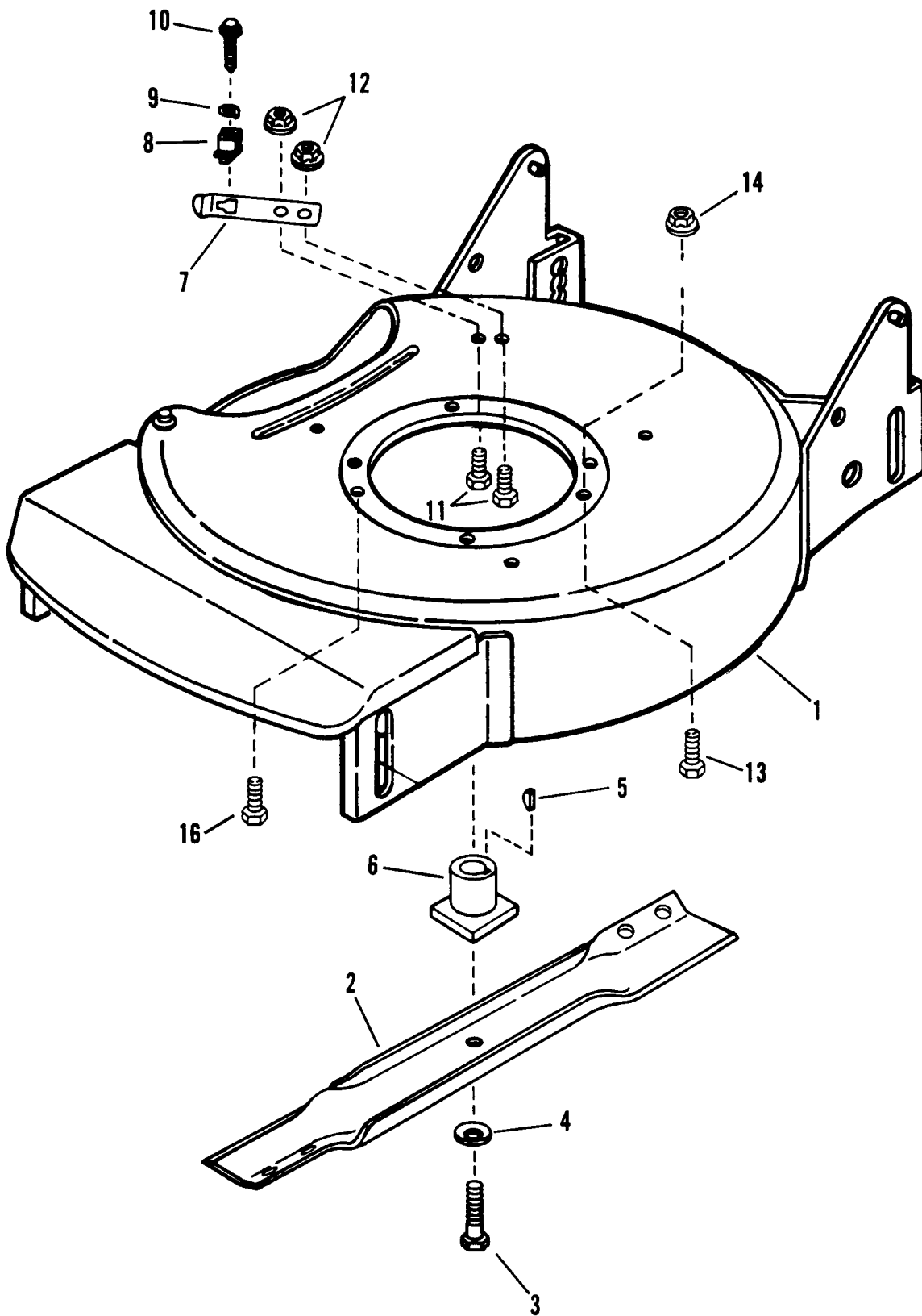


Handles & Controls

Item	Part No	Qty	Description	Note
1	7074384		HANDLE, Upper	Was 33473
	7033477		HANDLE, Upper	Was 33474 (For OPP Models Only)
2	7036350		HANDLE, Middle	
	7033406		HANDLE, Middle	(For OPP Models Only)
3	7033985		HANDLE, Lower Left Hand	Was 38469
4	7033986		HANDLE, Lower Right Hand	Was 38468
5	7017072		CONTROL, Blade	
6	7033904		CLIP, Blade Control	Was 32829
7	7022379		CABLE, Blade Control (Tecumseh 4-Cycle)	
	7024143		CABLE, Blade Control (Tecumseh 2-Cycle)	
	7027475		CABLE, Blade Control (Robin 2-Cycle)	Was 24146
8	7014343		BUSHING	
9	7023813		CLIP, Wiring Harness	
10	7022550		CONTROL, Throttle (Tecumseh)	
	7024140		CONTROL, Throttle (Robin)	
11	7090095		NUT, 1/4-28 Hex	Was 91024
12	7016544	2	PLUG	(For OPP Models Only)
13	7023735	4	KNOB, 5/16-18	
14	7091013	4	SCREW, 5/16-18 x 2" Curved Head	
15	7024088		DECAL, Blade Control	
16	7090898		SCREW, #10-32 x 5/16" Sems	
17	7090799	4	BOLT, 5/16-18 x 5/8" Short Neck Carriage	Was 91026
18	7091601	4	NUT, 5/16-18 Hex Flange Lock	Was 91070
19	7091022		SCREW, 1/4-28 x 1-3/4" Hex Head Cap	
20	7090053		WASHER, 1/4 Internal Tooth Lock	Was 91023
21	7090391		WASHER, 5/16 Internal Tooth Lock	Was 91068

Footnotes:

Cutting Deck, Blade, Interlock

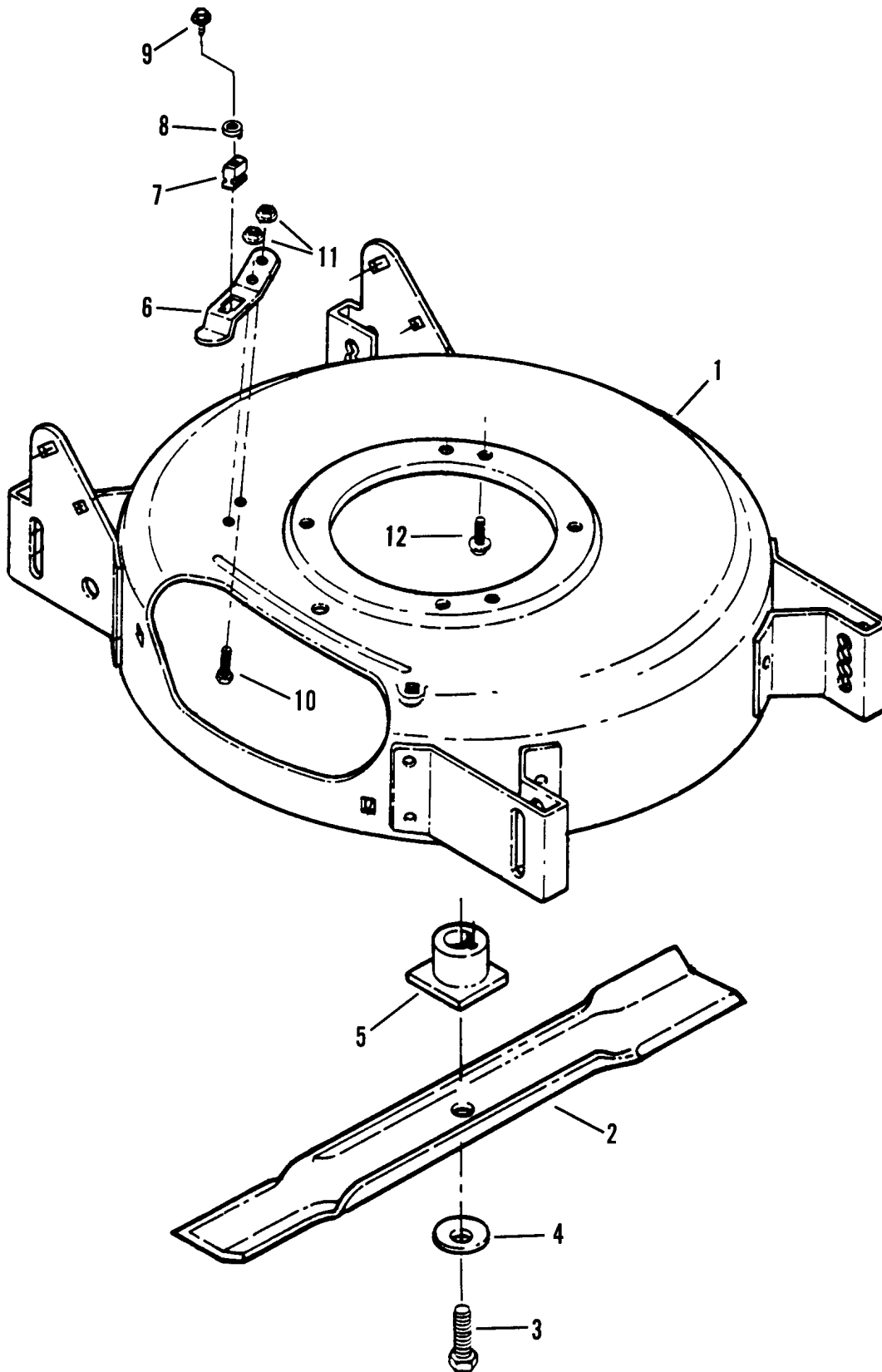


Cutting Deck, Blade, Interlock

Item	Part No	Qty	Description	Note
1	7057662		DECK, Mower	<i>Was 47972 (Includes painted deck with decals)</i>
2	7019795		BLADE, Cutter	
	7017167		BLADE, Cutter	<i>(For Recycling Models Only)</i>
3	7090167		SCREW, 3/8-24 x 2" Hex Head Cap (Gr. 5)	
4	7012063		WASHER, Cone	
5	7010783		KEY, Hi-Pro (Tecumseh 2-Cycle)	
6	7012927		HUB, Blade Drive (Tecumseh 2-Cycle)	
	7015626		HUB, Drive Blade (Tecumseh 4-Cycle & Robin 2-Cycle)	
7	7033408		SPRING, Interlock	
8	7012048		INSULATOR, Interlock	
9	7090385		WASHER, #8 Tab	
10	7090379		SCREW, #8-18 x 3/4" Self-Tapping	
11	7090071		SCREW, 1/4-20 x 3/4" Hex Flange Lock	
12	7091584	2	NUT, 1/4-20 Hex Flange	<i>Was 90583</i>
13	7090595	3	BOLT, 5/16-18 x 3/4" Hex Flange Lock	
14	7091601	3	NUT, 5/16-18 Hex Flange Lock	<i>Was 90585</i>
15	7011762		COVER, Spark Plug	<i>(Not Shown)</i>
16	7090324	2	SCREW, 3/8-16 x 1" Self-Tapping	

Footnotes:

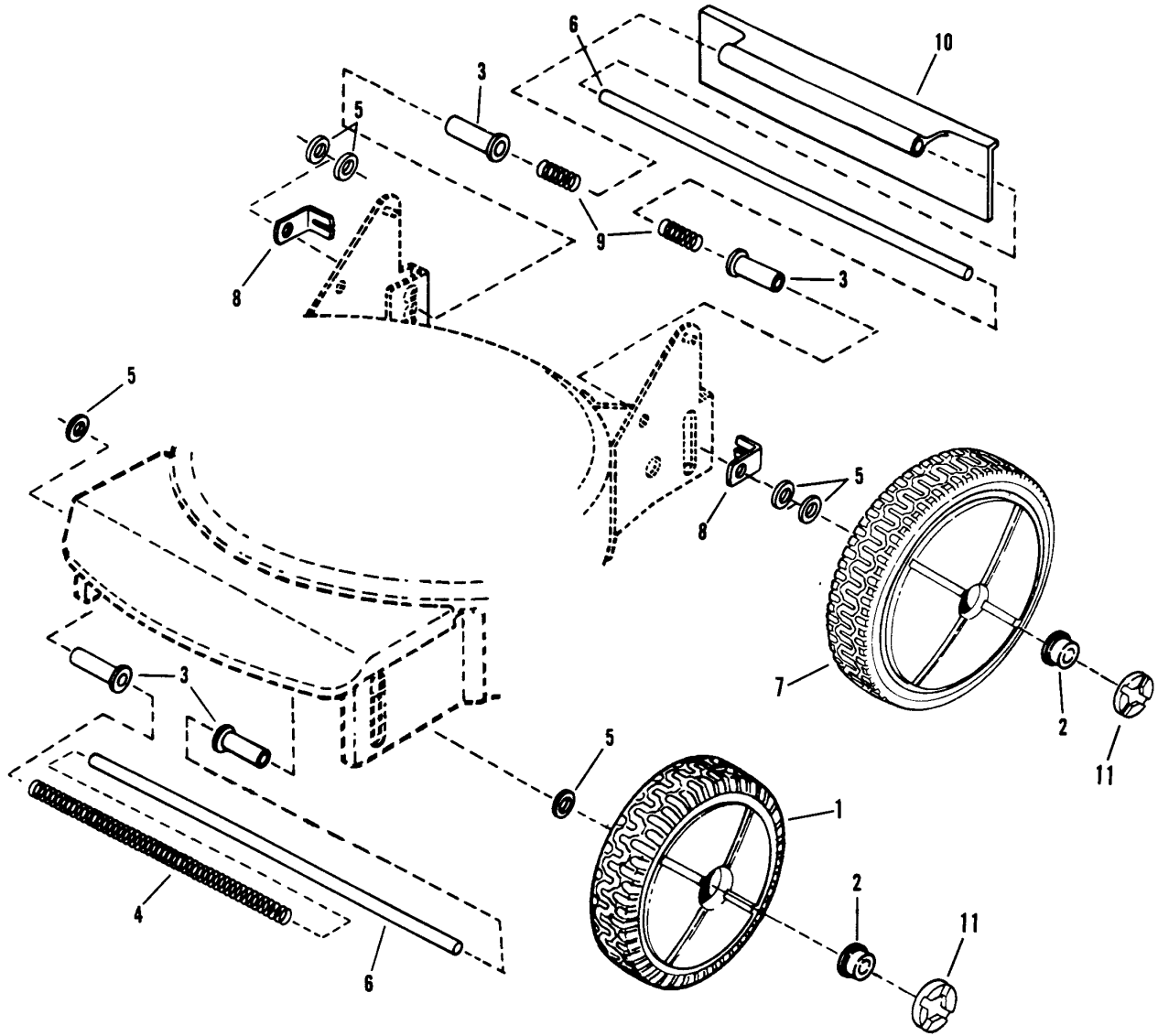
Cutting Deck, Blade, Interlock (OPP Models Only)



Cutting Deck, Blade, Interlock (OPP Models Only)

Item	Part No	Qty	Description	Note
1	7057662		DECK, Mower	<i>Was 52502 (Includes painted deck with decals)</i>
2	7022396		BLADE, Cutter	
3	7090167		SCREW, 3/8-24 x 2" Hex Head Cap (Gr. 5)	
4	7012063		WASHER, Cone	
5	7022390		HUB, Blade Drive (Tecumseh 2-Cycle)	
6	7033408		SPRING, Interlock	
7	7012048		INSULATOR, Interlock	
8	7090385		WASHER, #8 Tab	
9	7090379		SCREW, #8-18 x 3/4" Self-Tapping	
10	7090071	2	SCREW, 1/4-20 x 1/2" Hex Head Cap	<i>Was 91145</i>
11	7091584	2	NUT, 1/4-20 Hex Flange	<i>Was 91065</i>
12	7090324	3	SCREW, 3/8-16 x 1" Self-Tapping	
13	7011762		COVER, Spark Plug	<i>(Not Shown)</i>

Footnotes:

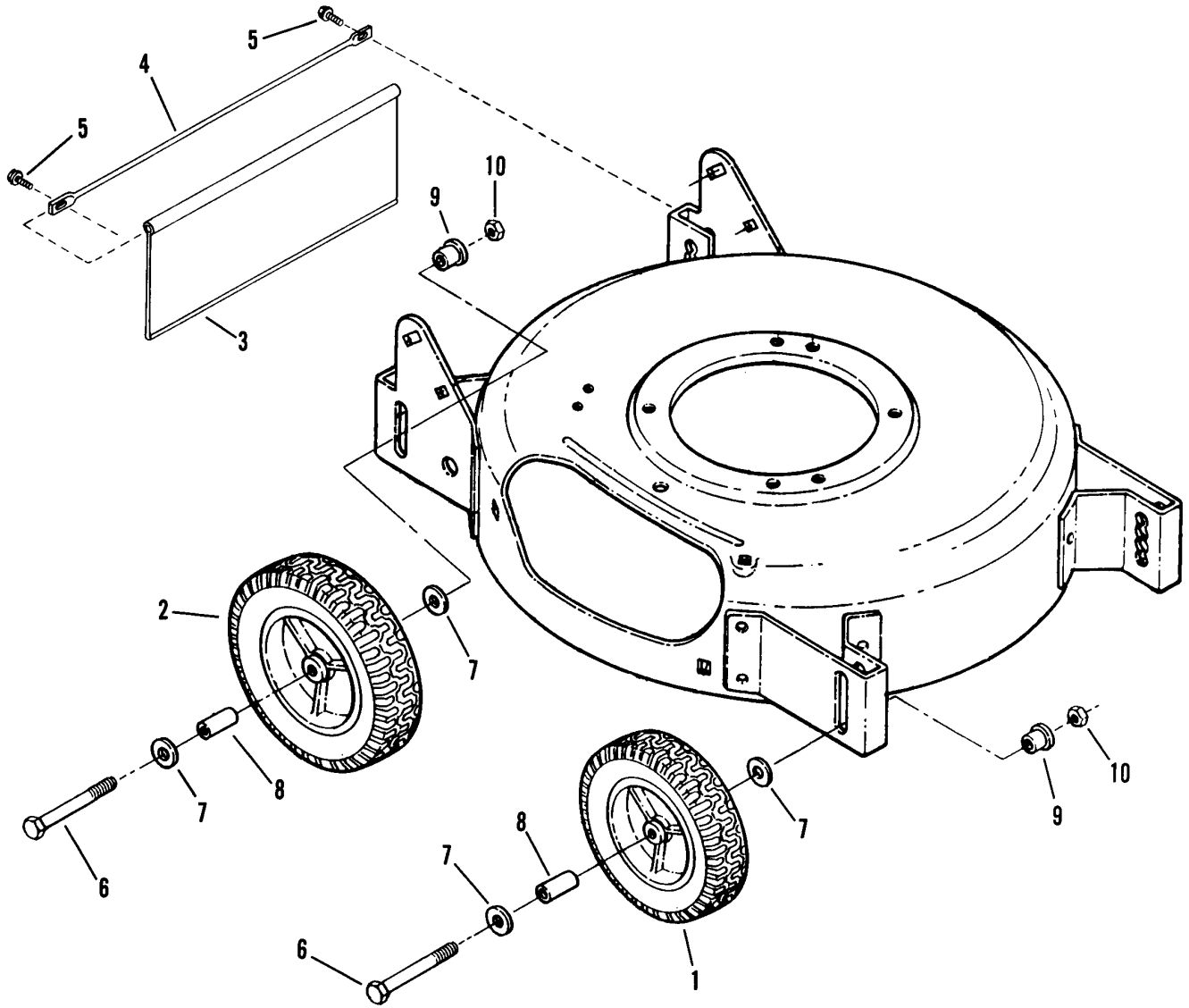


Wheels, Guards, Axles

Item	Part No	Qty	Description	Note
1	7022259	2	WHEEL, Front 7 x 1.75	
2	7013024	4	HUB-CAP, Wheel	
3	7013320		BUSHING, Height Adjustment	
4	7013307		SPRING, Front Axle	
5	7090122	6	WASHER, 3/8" Flat	
6	7034357	2	AXLE, 3/8 x 19-3/8"	<i>Was 37946</i>
7	7022260	2	WHEEL, Rear 8 x 2.00	
8	7032118	2	CLIP, Rear Guard	
9	7013027	2	SPRING, Rear Guard	
10	7018444		GUARD, Rear Foot	
11	7017829	4	PLUG, Wheel	

Footnotes:

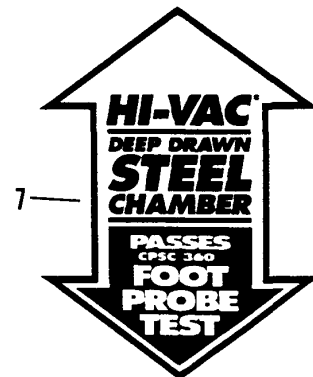
Wheels, Guards, Axles (OPP Models Only)



Wheels, Guards, Axles (OPP Models Only)

Item	Part No	Qty	Description	Note
1	7022795		WHEEL, Front 7 x 1.75 (2)	
2	7022374		WHEEL, Rear 8 x 2.00 (2)	
3	7024280		GUARD, Rear Foot	
4	7024086		SUPPORT, Foot Guard	
5	7090913	2	SCREW, #10-24 x 1/2" Hex Washer Self-Tap (Torx)	
6	7091142	4	SCREW, 3/8-16 x 3-1/8" Hex Head Cap	
7	7091149	8	WASHER, 3/8" Flat	
8	7012309	4	BUSHING, Axle	Was 22375
9	7022376	4	BUSHING, Height Adjustment	
10	7091150		NUT, 3/8-16 Hex Center Lock	

Footnotes:

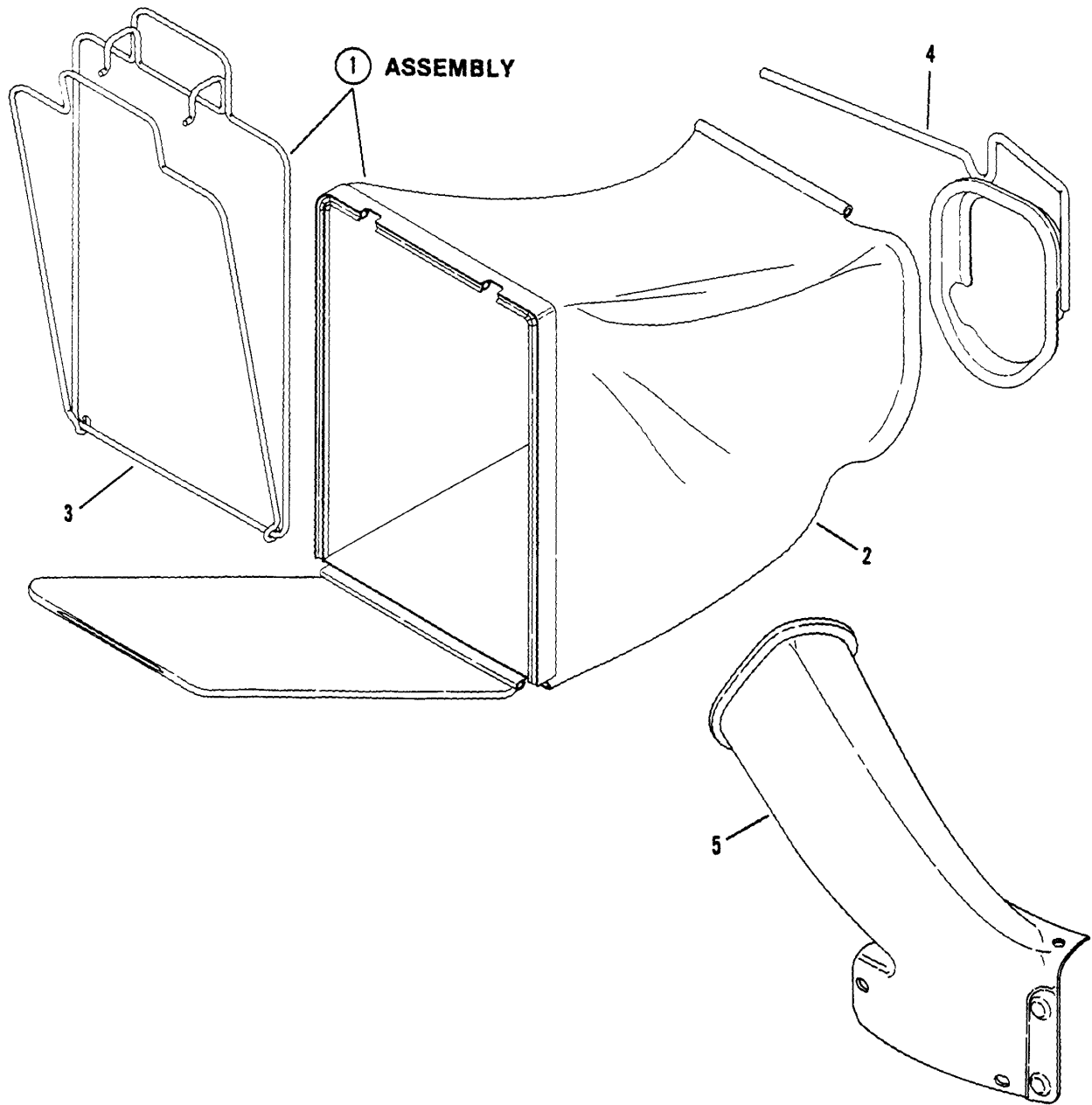


Decals

Item	Part No	Qty	Description	Note
1	7024263		DECAL, Mulching Chamber/Foot Probe	
2	7024088		DECAL, Blade Control	
3	7013312		DECAL, Caution	
4	7013010		DECAL, Danger	
5	7024220		DECAL, SNAPPER	
6	7024169		DECAL, Hi-Vac/Foot Probe	
7	7024214		DECAL, SNAPPER (Recycling)	

Footnotes:

Accessory - Grass Bag

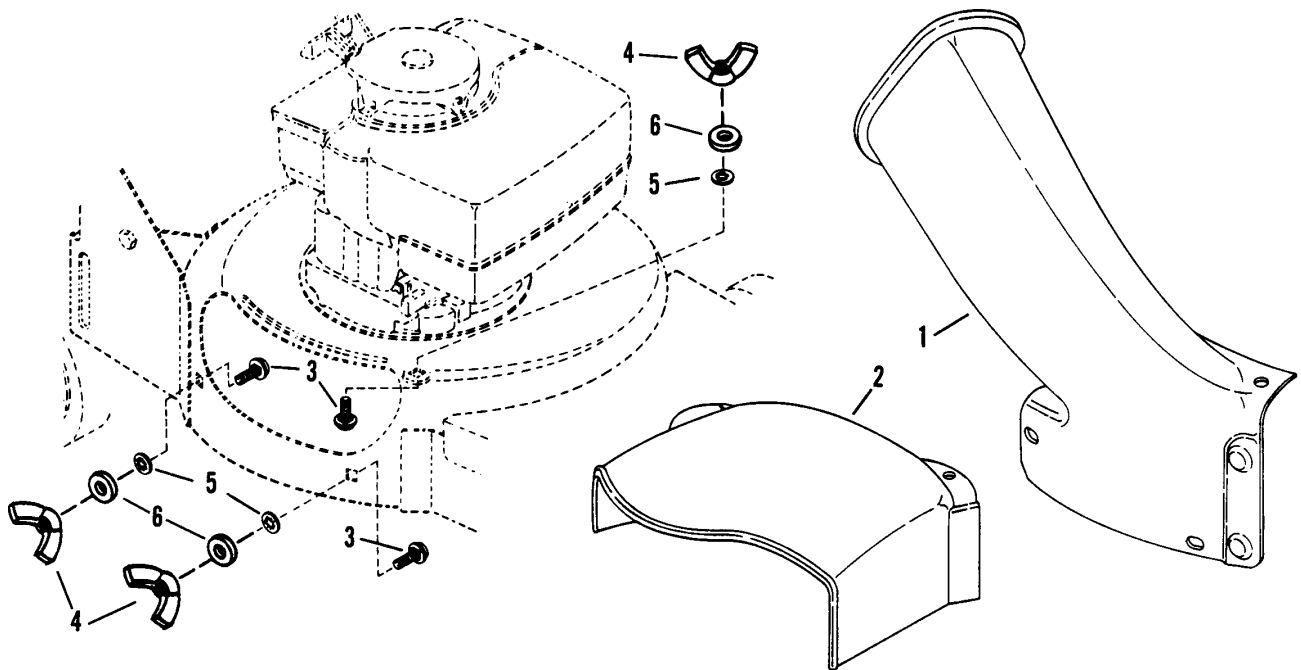


Accessory - Grass Bag

Item	Part No	Qty	Description	Note
	7061918		KIT, Grass Bag	<i>Was 60934 (Includes 1 thru 5)</i>
	7059322		KIT, Grass Bag	<i>Was 60932 (Includes 1 thru 4)</i>
1	7059322		ASSEMBLY, Grass Bag (Door Type)	<i>Was 51899</i>
2	7017069		BAG, KWIK-N-EZY	
3	7051906		ASSEMBLY, Bag Wire	
4	7042489		CONNECTOR, Grass Bag	<i>Was 47969</i>
5	7016050		ADAPTER, Bag	

Footnotes:

Accessory - Side Chute, Adapter



Accessory - Side Chute, Adapter

Item	Part No	Qty	Description	Note
1	7053681		ADAPTER, Bag	<i>Was 16088</i>
2	7035771		CHUTE, Side	<i>Was 60956</i>
3	7090799	3	BOLT, 5/16-18 x 5/8" Short Neck Carriage	<i>Was 91026</i>
4	7024085	3	NUT, 5/16-18 Wing	
5	7011791	3	RETAINER, 5/16 Bolt	
6	7091076	3	WASHER, 5/16 Flat	

Footnotes:

No
Diagram
Available

Parts List
Only

Accessory - Recycling Kits

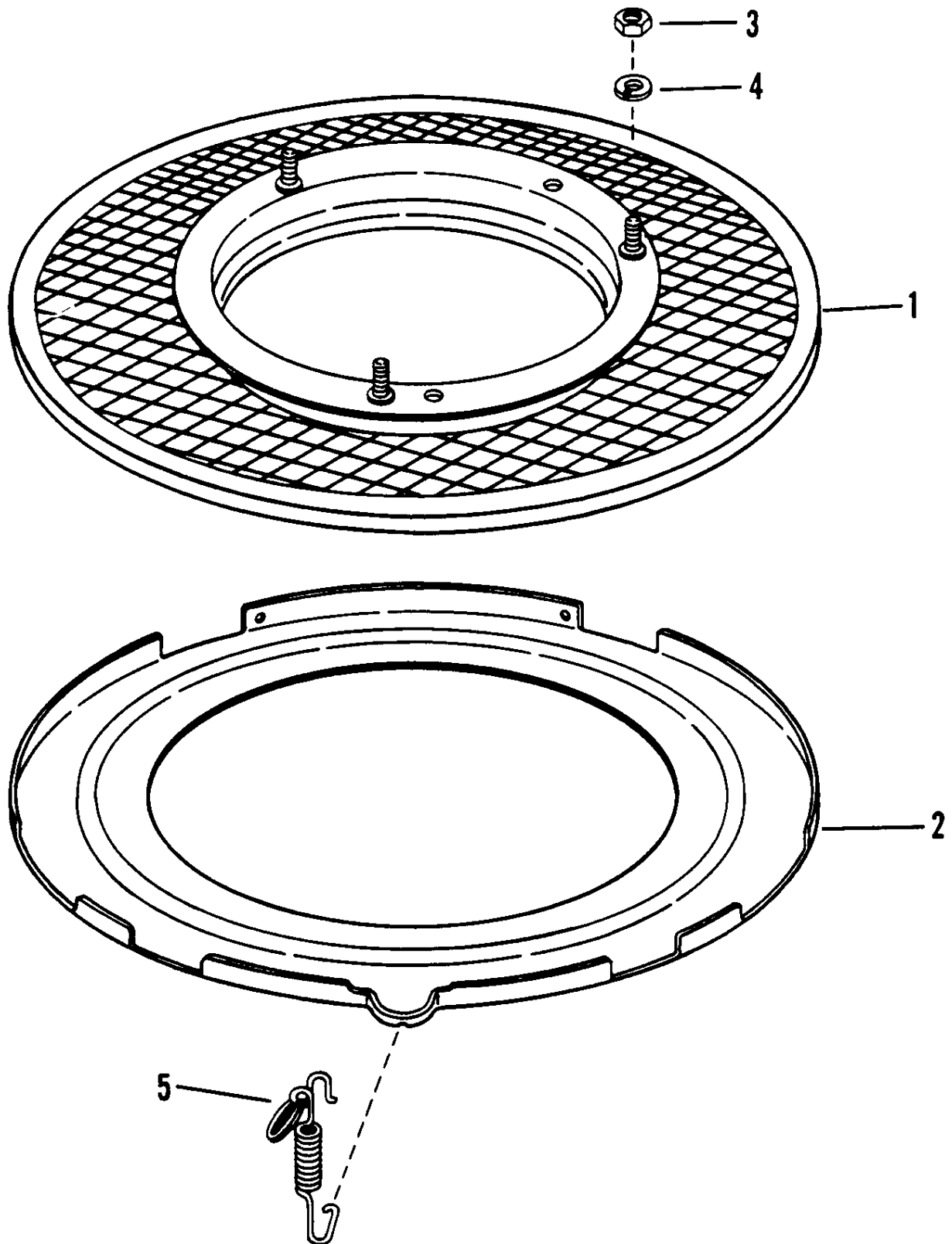
Item	Part No	Qty	Description	Note
	7061029		KIT, Recycling Cover	<i>(Includes items 1 thru 4)</i>
1	7017167		BLADE, 19" Recycling	
2	7017169		COVER	
3	7090167		SCREW, 3/8-24 x 2" Hex Head Cap (Gr. 5)	
4	7012063		WASHER, Cone	
	7061033		KIT, Recycling Plug	<i>(Includes items 1 thru 4)</i>
1	7017167		BLADE, 19" Recycling	
2	7016814		PLUG, Chute Adapter	
3	7090167		SCREW, 3/8-24 x 2" Hex Head Cap (Gr. 5)	
4	7012063		WASHER, Cone	

Footnotes:

This Kit is used on Side Discharge Models.

This Kit is used on models with grass bags.

Accessory - Snapperizer



Accessory - Snapperizer

Item	Part No	Qty	Description	Note
	7060450		KIT, Snapperizer	<i>(Includes items 1 thru 5)</i>
1	7051246		ASSEMBLY, Screen Fastener	
2	7039762		RING, Bottom	
3	7091297	3	NUT, 5/16-24 Hex	<i>Was 90223</i>
4	7090187	3	WASHER, 5/16 Split Lock	
5	7012587	3	SPRING	

Footnotes:

Parts Manual for

SNAPPER®

19" LIGHT WEIGHT (STANDARD & OPP) WALK BEHIND MOWERS SERIES 9

IT IS THE POLICY OF SNAPPER TO IMPROVE ITS PRODUCTS
WHENEVER IT IS POSSIBLE AND PRACTICAL TO DO SO. WE
RESERVE THE RIGHT TO MAKE CHANGES OR ADD IMPROVEMENTS
AT ANY TIME WITHOUT INCURRING ANY OBLIGATION TO MAKE
SUCH CHANGES ON PRODUCTS MANUFACTURED PREVIOUSLY.

SNAPPER® McDonough, GA, 30253 U.S.A.