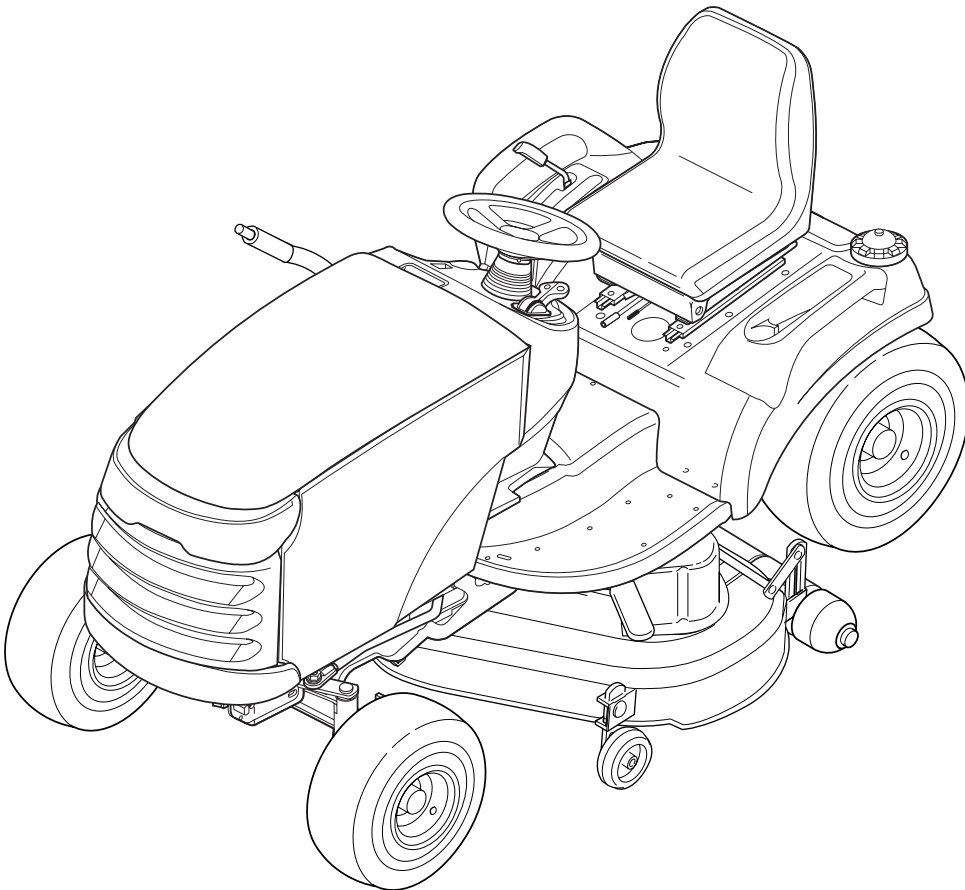


Parts Manual for
SNAPPER®

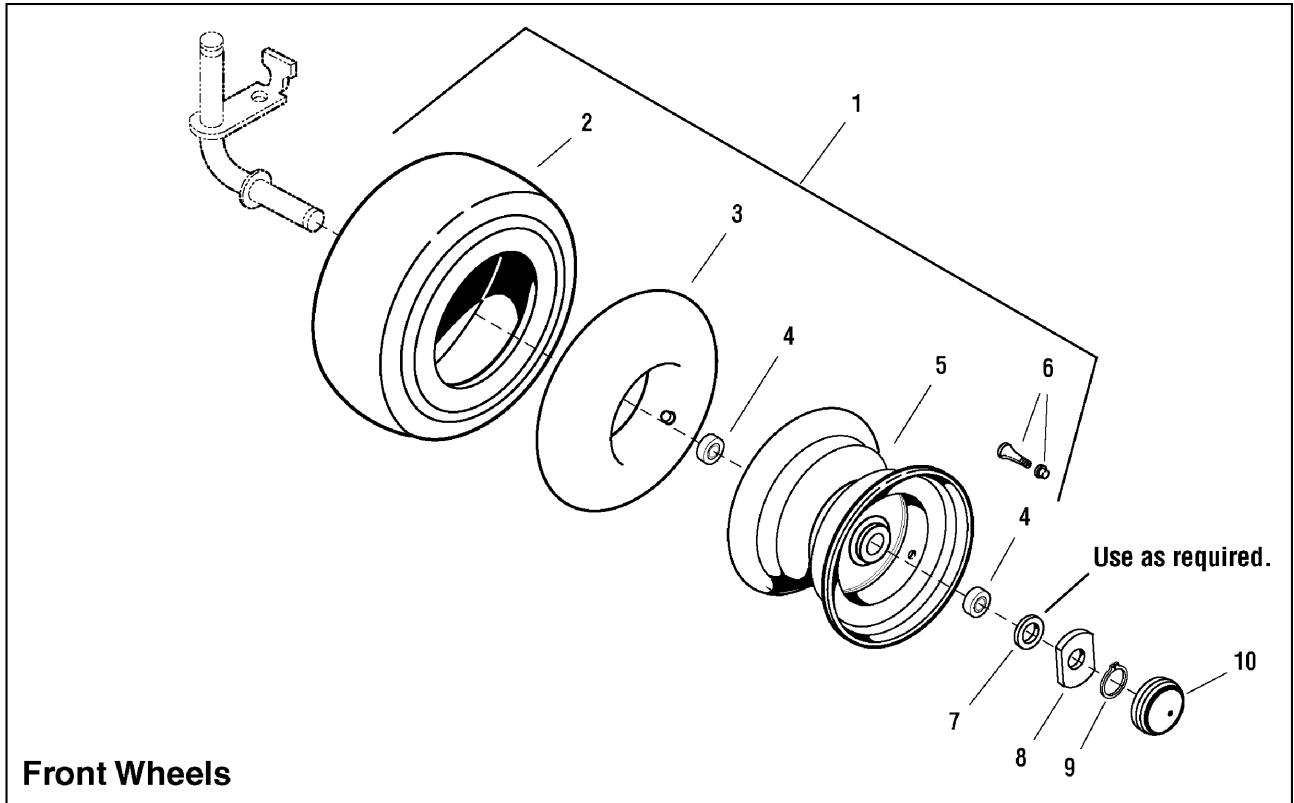
**LAWN TRACTOR
ELECTRIC CLUTCH HYDRO DRIVE
SERIES 0**

MODEL
LT1644 (2690117)

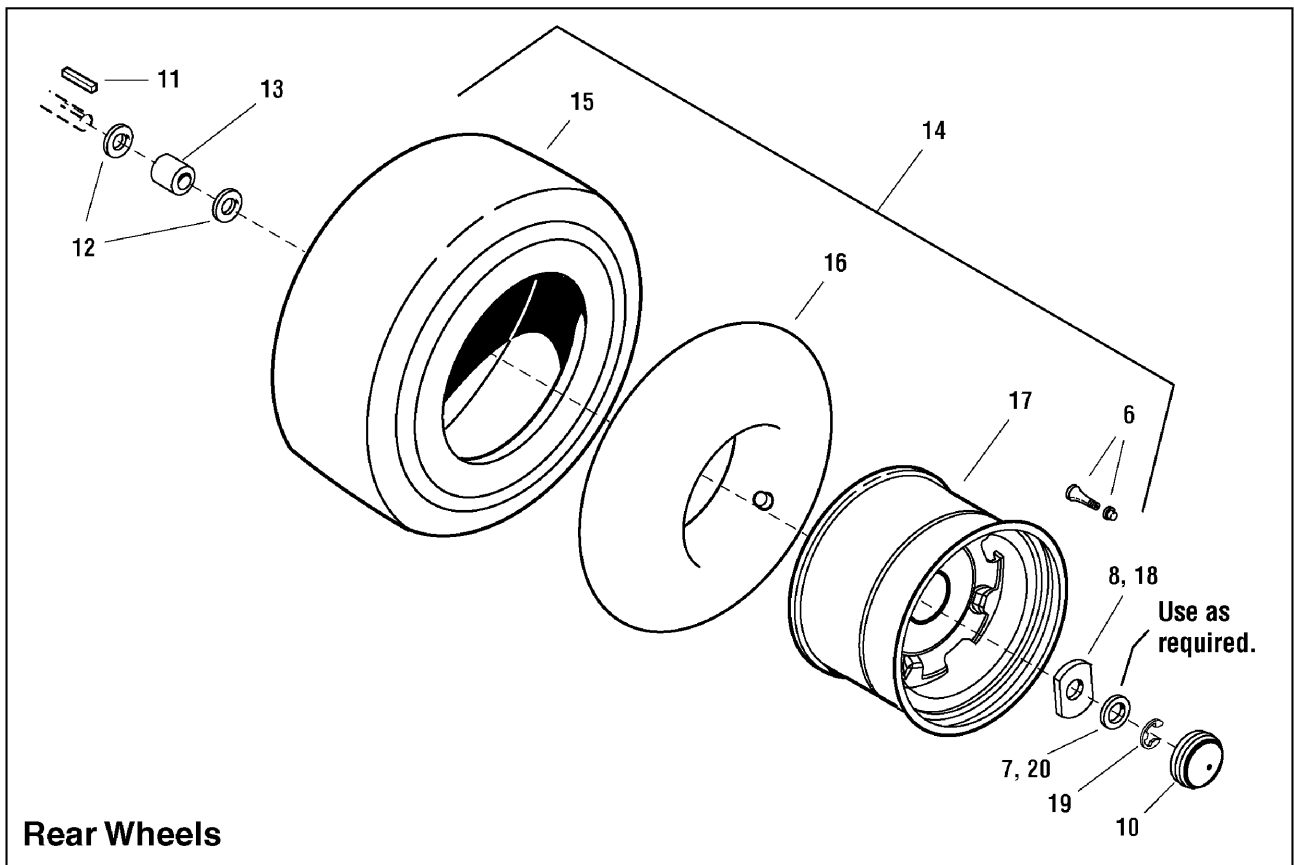


SNAPPER® McDonough, GA, 30253 U.S.A.

PAGE	GROUP
4	Wheels & Tires Group
6	Hood, Grill & Dash Group
8	Steering Group - Manual Steering
10	Frame & Front Axle Group
14	Controls Group
18	Cruise Control Group
20	Transmission Group - Tuff Torq K-57
22	Transmission Service Parts - Tuff Torq K-57A
28	Seat & Seat Deck Group
30	Engine & Electric Clutch Group - 16HP Briggs & Stratton, Vanguard
32	Lift Group - Manual Lift
34	44" Mower Deck - Belt, Idler Arm & Hitch
36	44" Mower Deck - Height Adjustment & Roller Bar
40	44" Mower Deck - Housing, Arbors & Blades
44	Decal Group
46	Electrical Group



Front Wheels



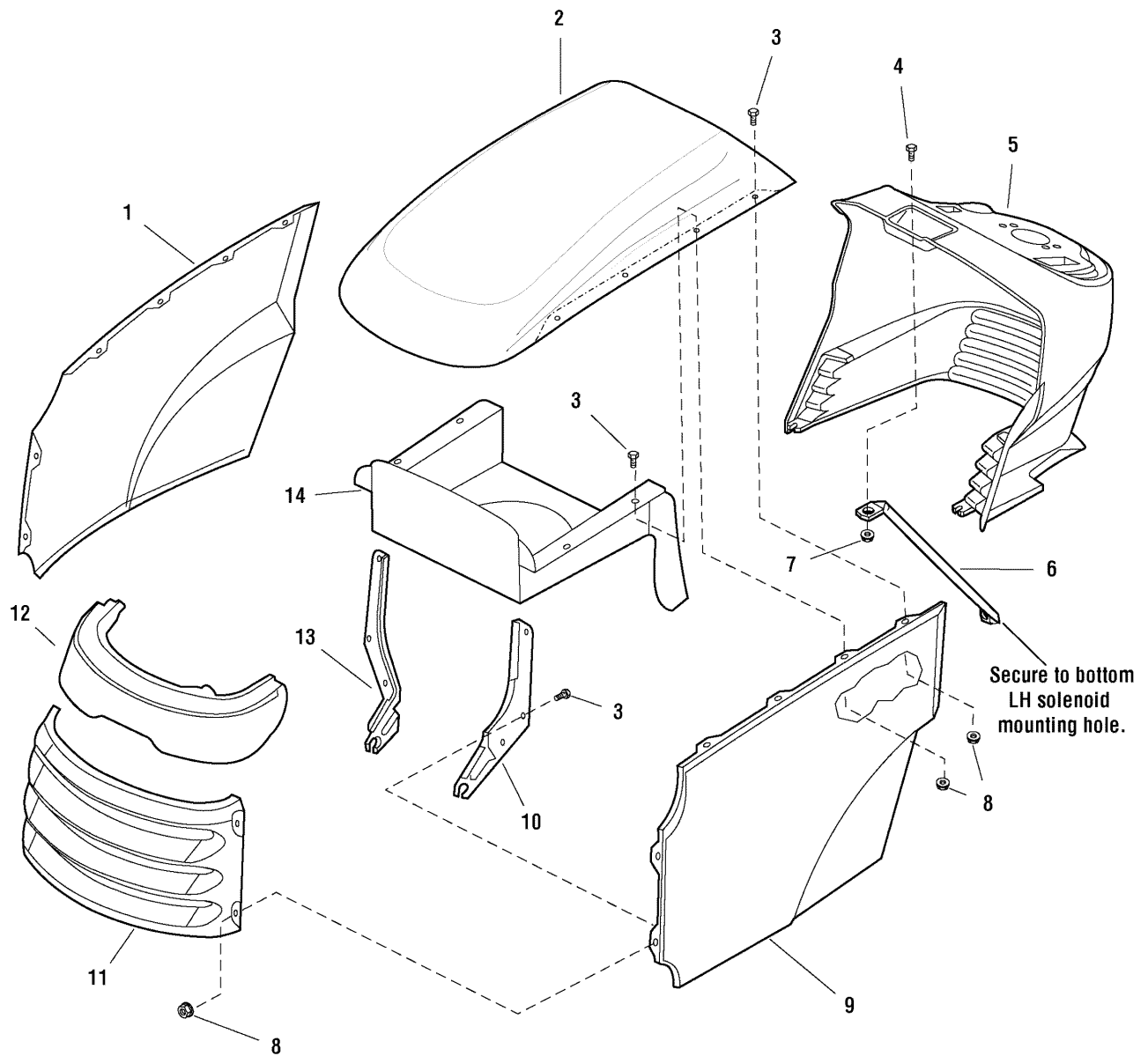
Rear Wheels

Wheels & Tires Group

Item	Part No	Qty	Description	Note
1	1722065	2	WHEEL & TIRE ASSEMBLY, Front, (Includes Ref. Nos. 2, 3, 4, 5, & 6)	
2	1722838	1	TIRE, 15 x 6, Super Turf	
3	1664090	1	TUBE, Tire, Front, 4.10/3.50	
4	1717056	2	BEARING, Ball	
5	1722837	1	WHEEL, 4-1/2" x 6"	
6	2172353	4	VALVE STEM & CAP ASSEMBLY	
7	1919394	4	WASHER, 1, (As Required for All Front)	
8	1722726A	4	WASHER, Special, (As Required for All Front)	
9	2832577	2	RING, Retaining, External #98	
10	1722676	4	CAP, Hub, Gray	
11	1729279	2	KEY, Parellel, 3/16 x 3/16 x 1-1/2	
12	2860202	4	WASHER, 3/4	
13	1709527	2	SPACER	
14	1721694	2	WHEEL & TIRE ASSEMBLY, (Includes Ref. Nos. 6, 15, 16 & 17)	
15	1722826	1	TIRE, 20 x 10, 8 Super Turf	
16	2173477	1	TUBE, Tire, 20 x 8, Rear	
17	1722835	1	WHEEL, 7 x 7.96, W/ 3/4 OD	
18	1722717A	2	WASHER, Special	
19	2827794	2	RING, "E" External	
20	1960114	2	WASHER, 3/4	

Footnotes:

Hood, Grill & Dash Group

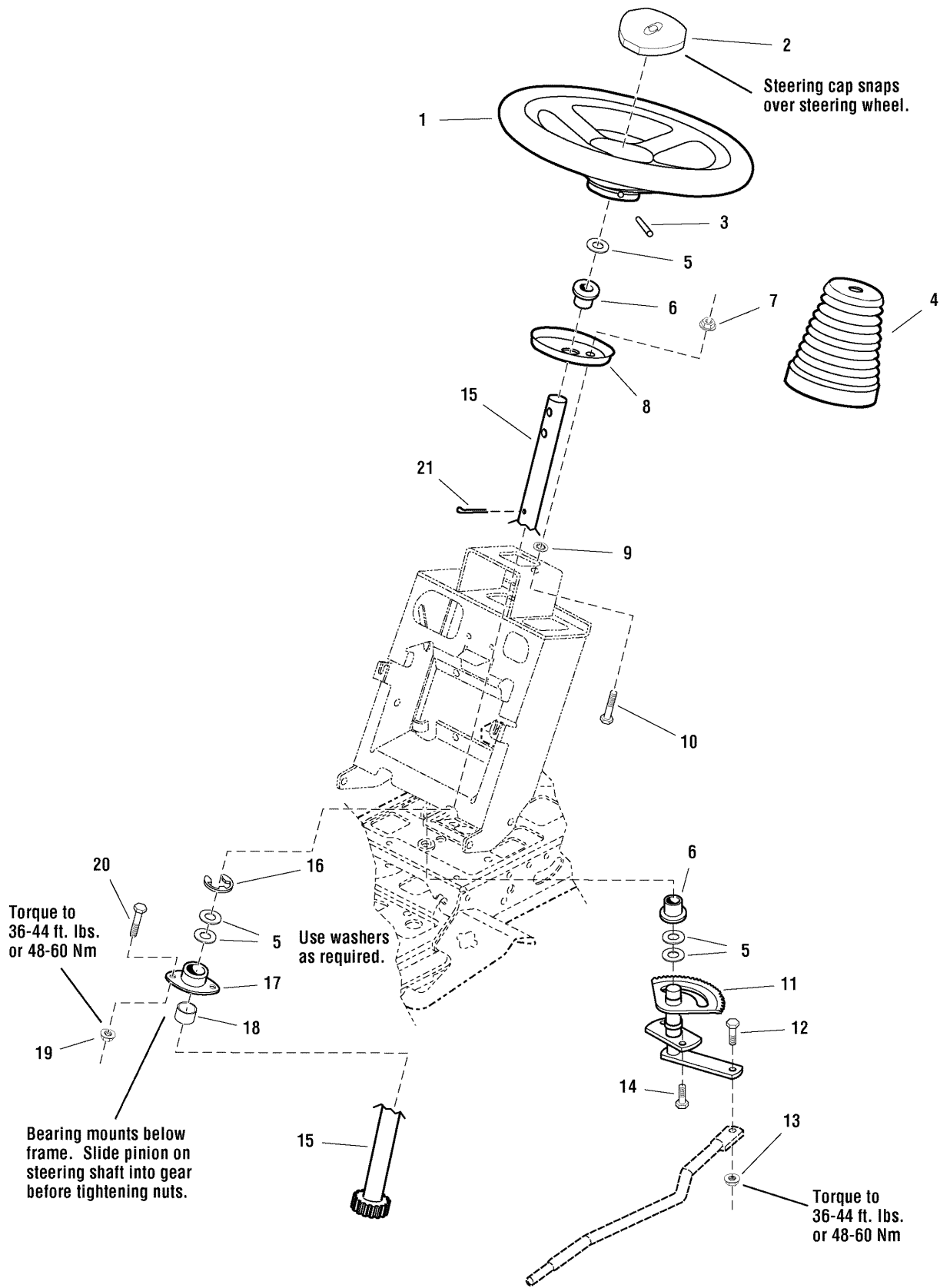


Hood, Grill & Dash Group

Item	Part No	Qty	Description	Note
1	1721804D	1	PANEL, RH Side, Red	
2	1721801D	1	HOOD, Red	
3	1960295	12	CAPSCREW, Hex Flange Whiz Lock, 1/4-20 x 5/8	
4	1960392	1	SCREW, Pan Head Phillips, #10-24 x 1/2	
5	1724082	1	DASHBOARD	
6	1723123	1	ROD, Dash Support	
7	1933896	1	NUT, Hex Lock, w/Nylon Insert, 10-24	
8	1930641	12	NUT, Hex Flange Whiz Lock, 1/4-20, Large, Black	
9	1721803D	1	PANEL, LH Side, Red	
10	1721808A	1	HINGE, LH	
11	1721802D	1	GRILLE, Red	
12	1721810	1	HEADLIGHT ASSEMBLY, 4 Bulb (See Electrical Group for internal components)	
13	1721809A	1	HINGE, RH	
14	1722391A	1	DUCT, Air Inlet	

Footnotes:

Steering Group - Manual Steering

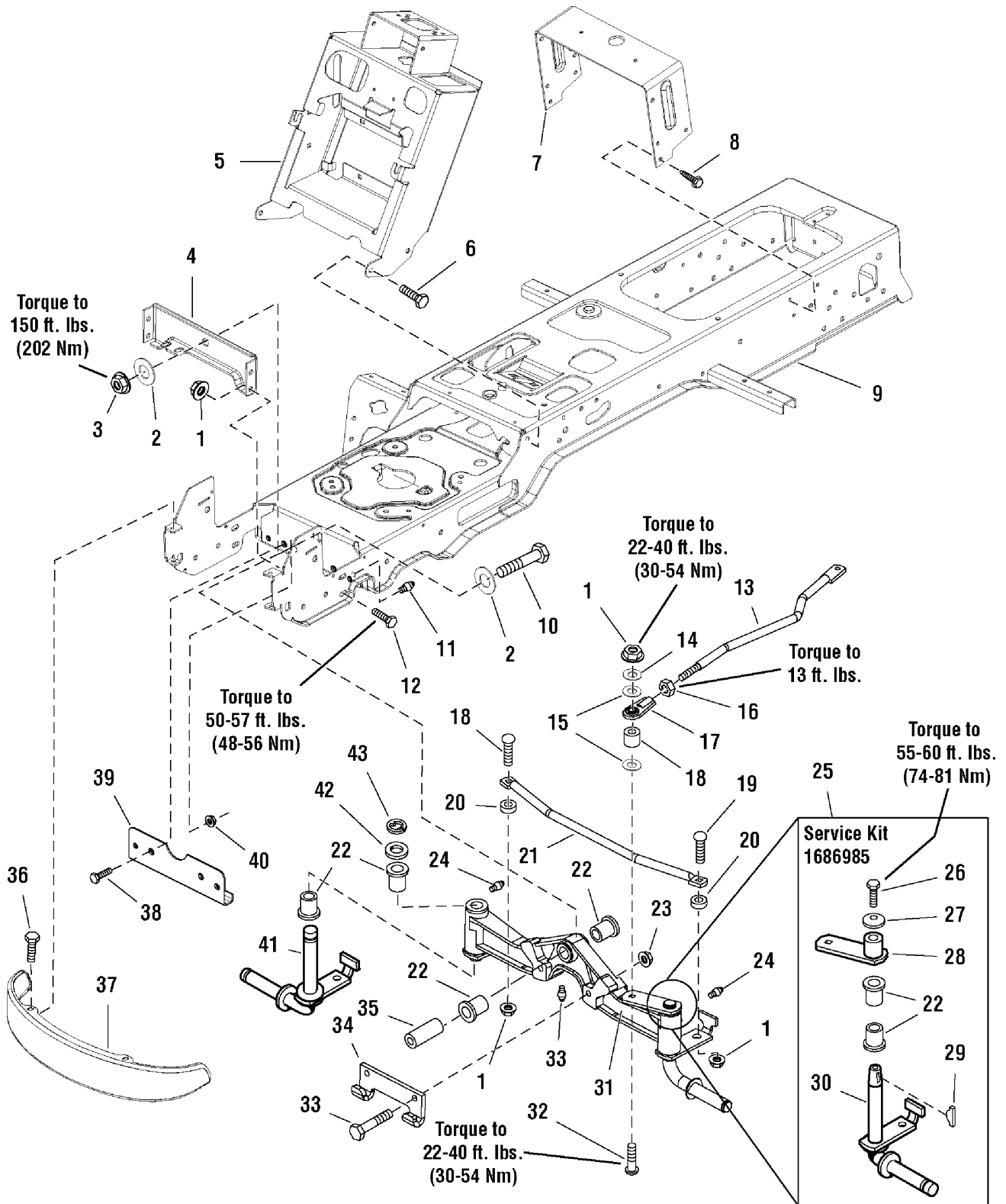


Steering Group - Manual Steering

Item	Part No	Qty	Description	Note
1	1722318	1	STEERING WHEEL, Straight, Shaft	
2	1725024	1	CAP, Steering Wheel, Plain	
3	1960540	1	PIN, Spring, 5/16 x 2-1/2	
4	1722749	1	COVER, Rubber, Upper Steering Shaft	
5	1960114	5	WASHER, 3/4	
6	2176440	2	BUSHING, 15/32 x 7/8 x 7/8, Nylon	
7	2828372	2	NUT, Hex KEPS 1/4-20	
8	1721736A	1	PLATE, Mounting Steering	
9	1960518	2	NUT, Push	
10	1960655	2	CARRIAGE BOLT, 1/4-20 x 1-1/4	
11	1722385	1	GEAR & SHAFT ASSEMBLY, Steering	
12	1960032	1	CAPSCREW, Hex Head, 3/8-16 x 1-1/4, Black	
13	1930645	1	NUT, Hex Flange Two-Way Lock, 3/8-16	
14	1664847	2	CAPSCREW, Hex Washer Head Taptite, 5/16-18 x 3/4	
15	1721626	1	SHAFT & PINION ASSEMBLY, Steering Manual	
16	1611710	1	RING, Clipping Extension	
17	1722459	1	BEARING, 3/4 x 1-11/16 x 13/16, 3" Long Housing	
18	1722461	1	SPACER, 3/4 x 1-1/16 x 3/8, Powder Metal	
19	1931211	2	NUT, Hex Flange Whiz Lock, 3/8-16, Small	
20	1933260	2	CAPSCREW, Hex Whiz Lock Flange, 3/8-16 x 3/4, Black	
21	1919314	1	PIN, Cotter, 1-1/4, Black	

Footnotes:

Frame & Front Axle Group

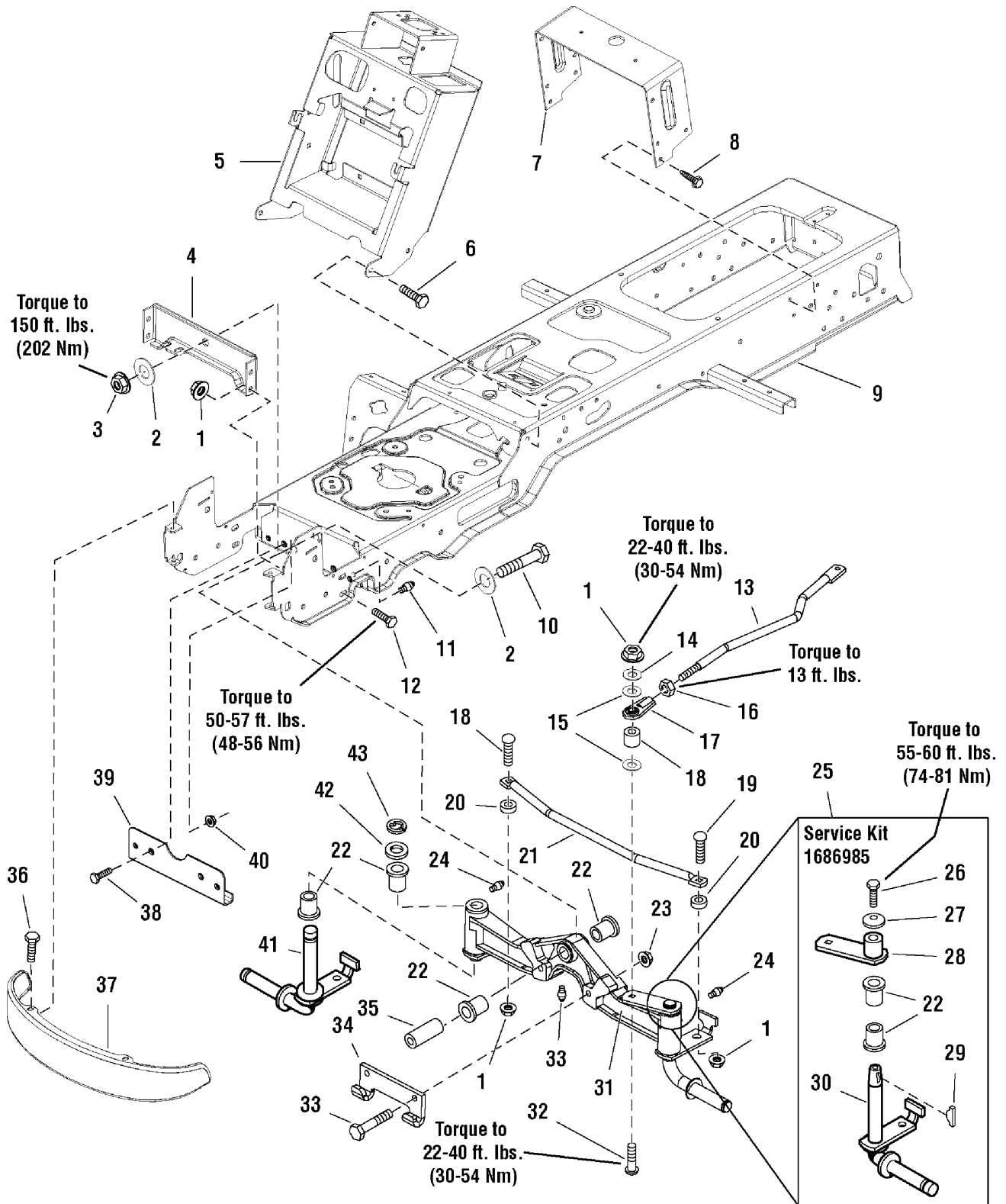


Frame & Front Axle Group

Item	Part No	Qty	Description	Note
1	1930645	7	NUT, Hex Flange Lock, 3/8-16	
2	1960035	2	WASHER	
3	2860646	1	NUT, Hex Flange, 5/8-11	
4	1722212A	1	PLATE, Axle	
5	1724081A	1	TOWER & SUPPORT ASSEMBLY	
6	1923683	4	CAPSCREW, Hex Head Taptite, 3/8-16 x 3/4	
7	1723528A	1	SUPPORT	
8	1664847	4	CAPSCREW, Hex Head Taptite, 5/16-18 x 3/4	
9	1726887	1	FRAME ASSEMBLY	
10	2860645	1	CAPSCREW, 5/8-11 x 3-1/2	
11	1704314	2	FITTING, Grease for Wear Plate, 1/4-20, with Ball	
12	1933260	4	CAPSCREW, Hex Head, Flange Lock, 3/8-16 x 3/4	
13	1722541	1	LINK, Drag	
14	1922755	1	WASHER	
15	1960103	2	WASHER	
16	1919262	1	NUT, Hex Jam, 1/2-20	
17	1702779A	1	JOINT, Ball	
18	1708236	1	SPACER	
19	1931350	2	CARRIAGE BOLT, 3/8-16 x 1	
20	1611705	2	SPACER	
21	1722626A	1	ROD, Tie	
22	1721682	6	BUSHING	
23	1930650	2	NUT, Hex Flange Lock, 7/16-14	
24	1704314	3	FITTING, Lube	
25	1686985	1	SPINDLE REPLACEMENT KIT, LH (Includes Ref. Nos. 22, 26, 27, 28, 29 & 30)	
26	2823485	1	CAPSCREW, 3/8-16 x 7/8, GR8	
27	1663151	1	WASHER, Spring, 3/8	
28	1725112	1	HUB & ARM ASSEMBLY	
29	2830671	1	KEY, Woodruff	
30	1724264	1	SPINDLE, LH	
31	1722200A	1	AXLE ASSEMBLY, w/ LH Spindle, Complete (Includes Ref. Nos. 22, 24, 41, 42 & 43)	
32	1931352	1	CARRIAGE BOLT, 3/8-16 x 1-1/2	
33	1927531	2	CAPSCREW, Hex Head, 7/16-14 x 2, GR8	
34	1721918A	1	HOOK, "J"	
35	1721752	1	SPACER	
36	1960086	4	SCREW, Torx Head, 5/16-18 x 7/8	
37	1721805A	1	BUMPER, Black, Steel, Standard	

Footnotes:

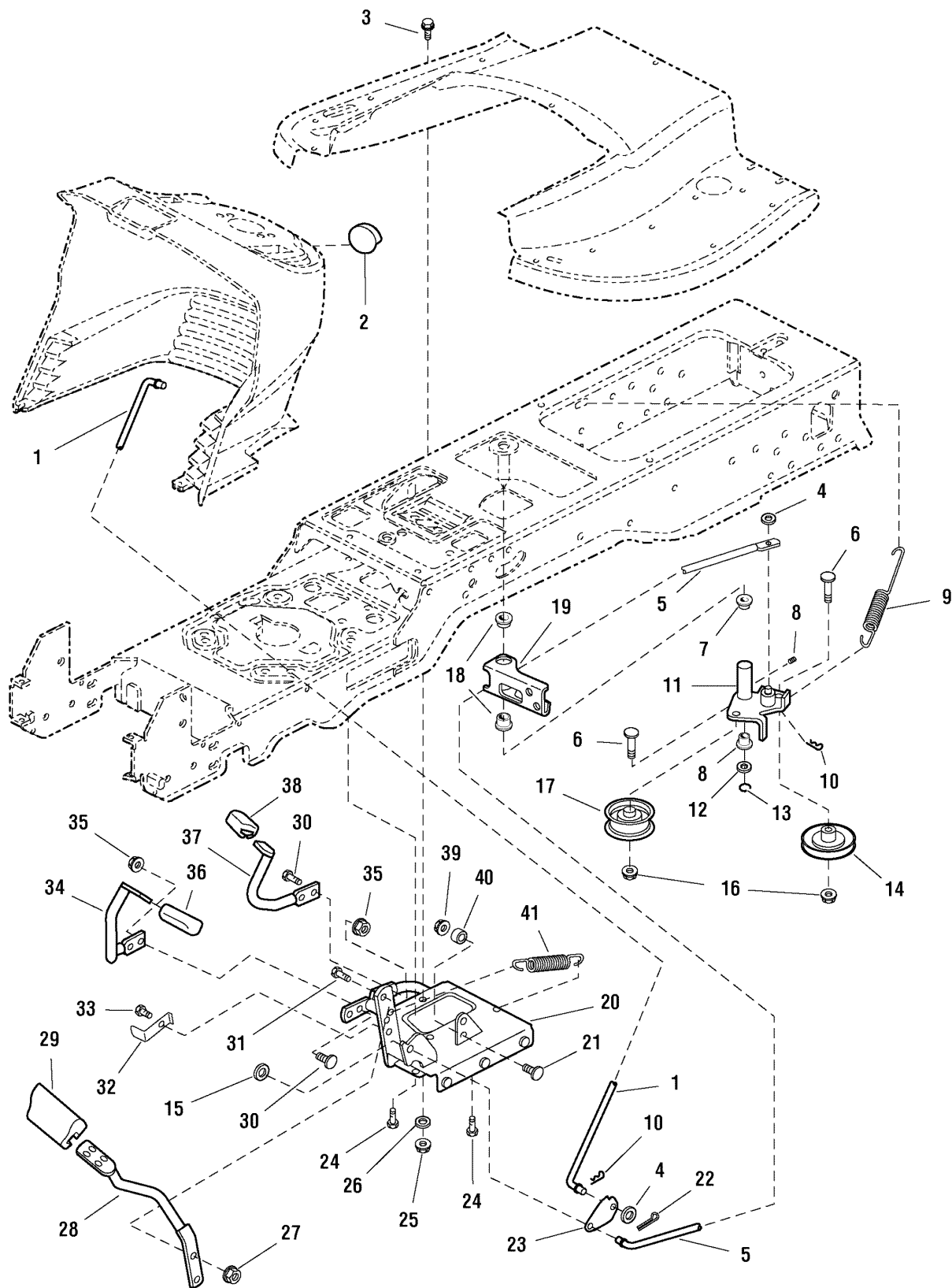
Frame & Front Axle Group



Frame & Front Axle Group

Item	Part No	Qty	Description	Note
37	1723502	1	BUMPER, Chrome, Optional	
38	1930591	2	CAPSCREW, Hex Whiz Lock, 5/16-18 x 3/4	
39	1724801A	1	PLATE, Axle Wear	
40	1931277	2	NUT, Hex Falnge Whiz Lock, 5/16-18	
41	1722199	1	SPINDLE, RH	
42	1919394	1	WASHER	
43	2832577	1	RETAINING RING	

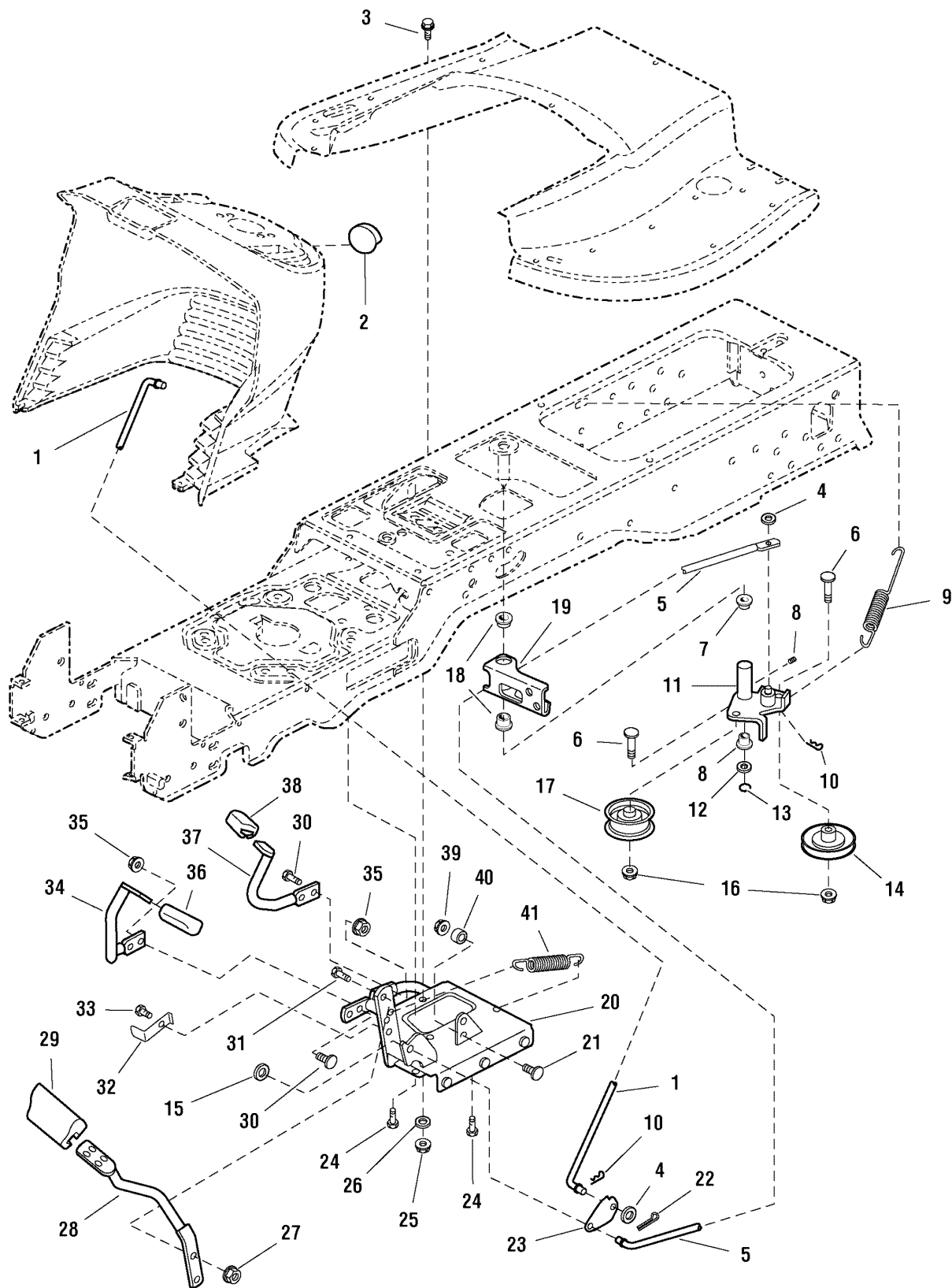
Footnotes:



Controls Group

Item	Part No	Qty	Description	Note
1	1721353	1	ROD, Brake Lock	
2	1721891	1	KNOB, Push On, Red Plastic "P"	
3	1930591	1	CAPSCREW, Hex Flange Whiz Lock, 5/16-18 x 3/4	
4	1919326	2	WASHER, 5/16, Black	
5	1721476	1	ROD, Brake	
6	1931353	2	CARRIAGE BOLT, 3/8-16 x 1 3/4	
7	1663114	2	BUSHING, 5/8 x 3/4 x 3/4, Nylon	
8	1704314	1	FITTING, Lube, 1/4	
9	1725250	1	SPRING, Extension	
10	1722460	3	PIN, Quick	
11	1726882	1	ARM & HUB ASSEMBLY, Idler	
12	1960020	1	WASHER, 5/8	
13	1704420	1	RING, Clipping Extension	
14	1721134	1	PULLEY, w/Bearing	
15	1924940	1	WASHER, 3/8	
16	1960687	2	NUT, Hex Flange ESNA, 3/8-16	
17	1721133	1	PULLEY, Idler	
18	1723237	2	BUSHING, 1 x 1-1/8 x 5/8, Nylon	
19	1722513	1	ARM, Brake	
20	1722084	1	PEDAL ASSEMBLY, Foot	
21	1931320	1	CARRIAGE BOLT, 1/4-20 x 1-1/4	
22	1918447	1	PIN, Cotter, Black	
23	1721354A	1	LATCH, Brake	
24	1664847	3	CAPSCREW, Hex Washer Head Taptite, 5/16-18 x 3/4	
25	1919438	1	NUT, Hex Lock ESNA Light, 5/16-18	
26	1919381	1	WASHER, 5/16, Black	
27	1927557	2	NUT, Hex Flange Whiz Lock Large, 5/16-18	
28	1722535A	1	PEDAL, Brake	
29	1721577	1	PAD, Brake Pedal	
30	1931334	4	CARRIAGE BOLT, 5/16-18 x 7/8	
31	1921333	2	CAPSCREW, 5/16-18 x 1	
32	1722083A	1	ACTUATOR, Switch 2.53" Long	
33	1923683	1	CAPSCREW, Hex Washer Head Taptite, 3/8-16 x 3/4	
34	1722070A	1	PEDAL, Forward	
35	1960636	4	NUT, Hex KEPS, 5/16-18	
36	1721675	1	PAD, Foot Pedal Forward	
37	1722071A	1	PEDAL, Reverse	

Footnotes:

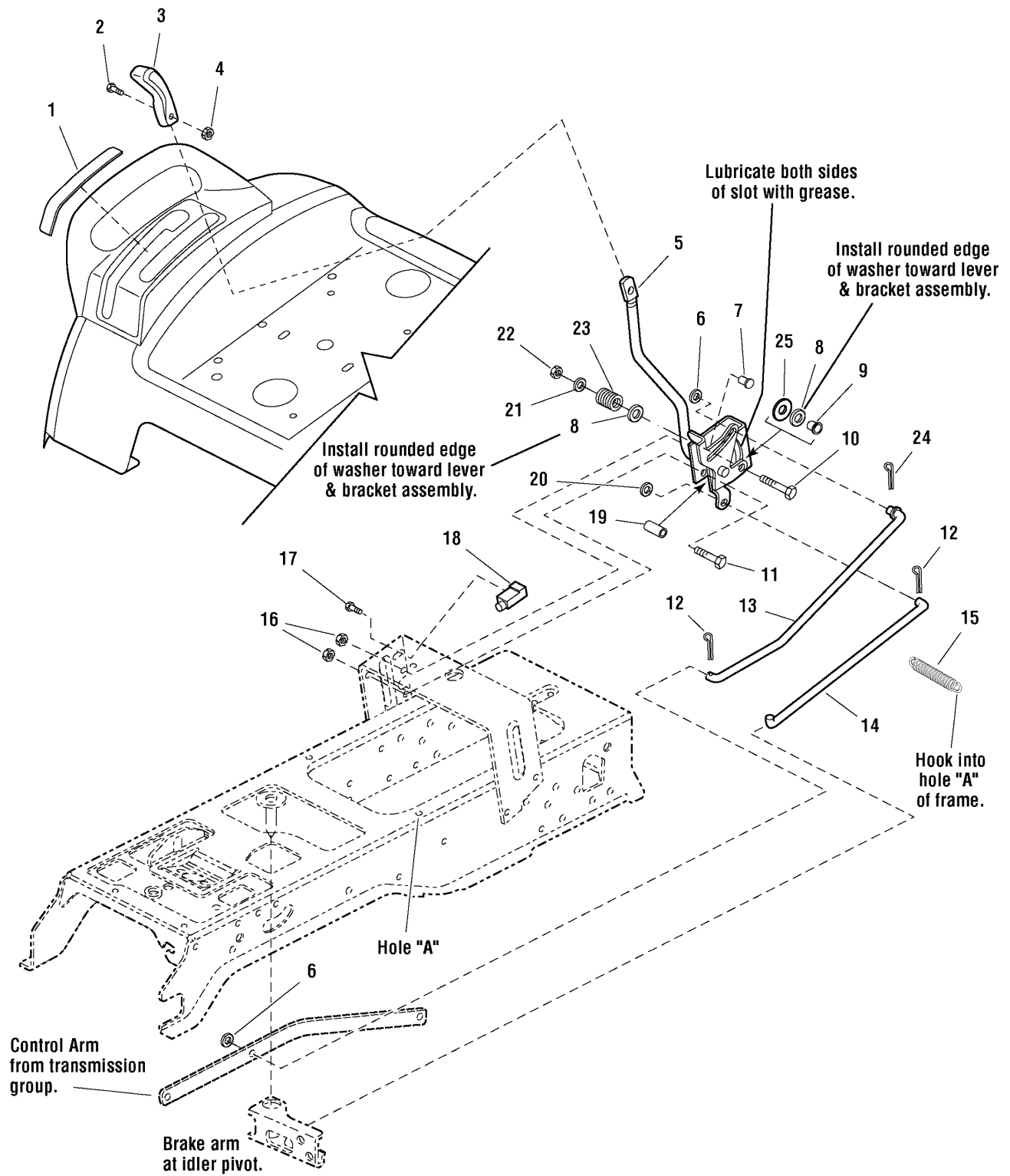


Controls Group

Item	Part No	Qty	Description	Note
38	1721674	1	PAD, Foot Pedal Reverse	
39	1920397	1	NUT, Hex Lock ESNA Light, 1/4-20	
40	1686612	1	CAM, Roller	
41	1721995	1	SPRING, Extension	

Footnotes:

Cruise Control Group

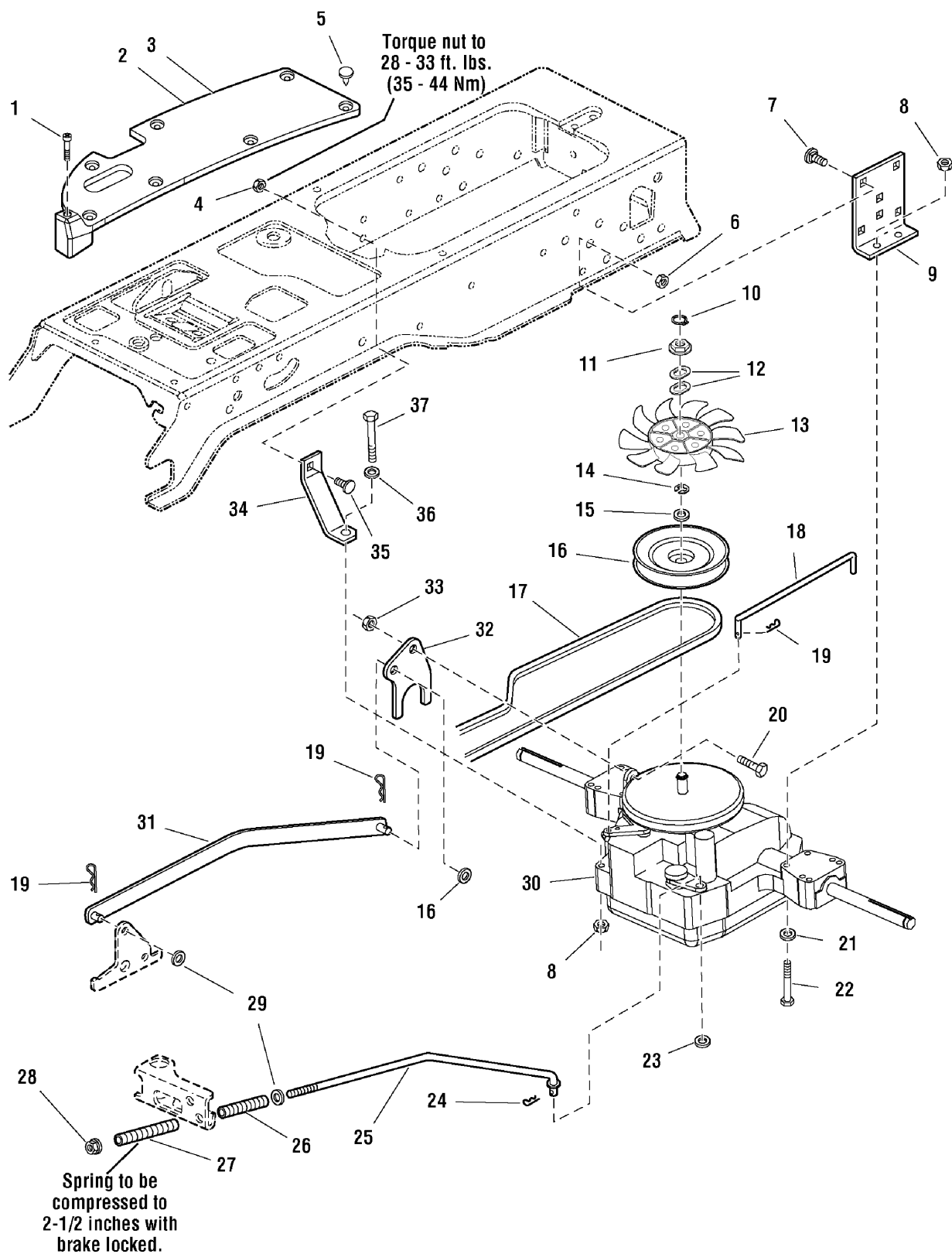


Cruise Control Group

Item	Part No	Qty	Description	Note
1	1723713	1	DECAL, Cruise & Lift	
2	1960666	1	SCREW, Torque Head Plus Socket Head, 1/4-20 x 7/8	
3	1722303	1	KNOB, Cruise	
4	1920397	1	NUT, Hex Lock ESNA Light, 1/4-20	
5	1722003	1	LEVER & BRACKET ASSEMBLY, Cruise	
6	1960103	2	WASHER, 3/8, Black	
7	1931333	1	CARRIAGE BOLT, 5/16-18 x 3/4	
8	2826192	2	WASHER, 9/16 x 1-1/4 x 1/8	
9	1709043	1	SPACER, w/Flange, 11/32 x 15/32 x 3/4	
10	1931342	1	CARRIAGE BOLT, 5/16-18 x 2 3/4	
11	1960273	1	CARRIAGE BOLT, 5/16-18 x 2-1/4	
12	1722460	2	PIN, Quick	
13	1722117	1	ROD, Cruise	
14	1722481	1	ROD, Return	
15	2159106	1	SPRING, Cruise Return to Frame	
16	1960636	2	NUT, Hex KEPS, 5/16-18	
17	1960001	2	CAPSCREW, Hex Washer Head Plastite, 10-14 x 5/8	
18	1717050	1	SWITCH, Push, Neutral Start, Gray	
19	1722080	1	SPACER, 11/32 x 5/8 x 1-13/32	
20	1919326	1	WASHER, 5/16, Black	
21	1919381	1	WASHER, 5/16, Black	
22	1919438	1	NUT, Hex Lock ESNA Light, 5/16-18	
23	1677746	1	SPRING, Compression	
24	1918447	1	PIN, Cotter	
25	1705928	1	DISC, Friction	

Footnotes:

Transmission Group - Tuff Torq K-57

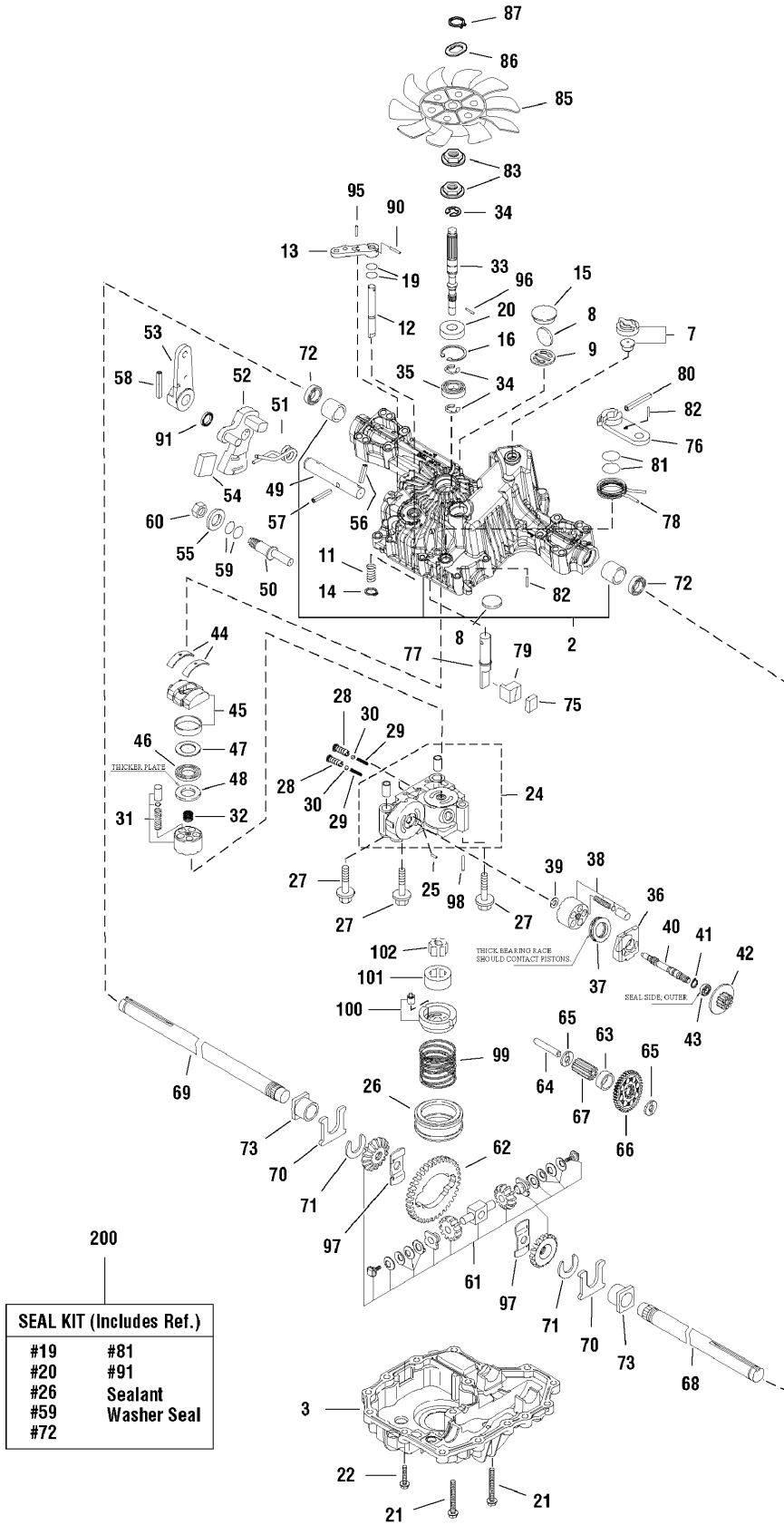


Transmission Group - Tuff Torq K-57

Item	Part No	Qty	Description	Note
1	1960676	2	SCREW, Pan Head Torx Taptite, 1/4-20 x 1-1/4, Black	
2	1722345	1	PAD, Footrest, LH, without Differential Lock	
3	1722173	1	PAD, Footrest, RH	
4	1960636	1	NUT, Hex KEPS, 5/16-18, Black	
5	1704351	15	FASTENER, Panel	
6	1960637	6	NUT, Hex KEPS, 3/8-16, Black	
7	1931350	6	CARRIAGE BOLT, 3/8-16 x 1, Black	
8	1960686	5	NUT, Hex Flange ESNA, 5/16-18, Black	
9	1721728A	2	SUPPORT, Transmission	
10	1724316	1	RING, Snap, Transmission	
11	1724312	1	COLLOR, Spline, Transmission	
12	1724315	2	LOCK WASHER, Transmission	
13	1724314	1	FAN, 10 Blade, Transmission	
14	1718076	1	RING, E, Transmission	
15	1960027	2	WASHER, 1/2	
16	1721666	1	PULLEY & HUB ASSEMBLY	
17	1721696	1	V-BELT, Drive	
18	1721616	1	ROD	
19	1722460	3	PIN, Quick	
20	1921332	1	CAPSCREW, Hex Head, 5/16-18 x 2	
21	1919326	4	WASHER, 5/16, Black	
22	1923141	4	CAPSCREW, Hex Head, 5/16-18 x 2-3/4, Black	
23	1918267	1	WASHER, 15/32 x 15/16, Black	
24	1918447	1	PIN, Cotter, Black	
25	1721579	1	ROD	
26	1722684	1	SPRING, Compression, 3-1/4" Long, Black	
27	1729277	1	SPRING, Compression, 3-5/8" Long, Black	
28	1960687	1	NUT, Hex Flange ESNA, 3/8-16, Black	
29	1924940	3	WASHER, 3/8, Black	
30	1722668	1	TRANSMISSION ASSEMBLY, K57, without Pulley	
31	1725317	1	CONTROL ARM ASSEMBLY	
32	1724423A	1	ARM, Control	
33	1960636	2	NUT, KEPS Lock, 5/16-18	
34	1721592A	1	STRAP, Torque	
35	1931335	1	CARRIAGE BOLT, 5/16-18 x 1, Black	
36	1960141	1	WASHER, 5/16, Black	
37	1922127	1	CAPSCREW, Hex Head, 5/16-18 x 1-3/4, Black	

Footnotes:

Transmission Service Parts - Tuff Torq K-57A

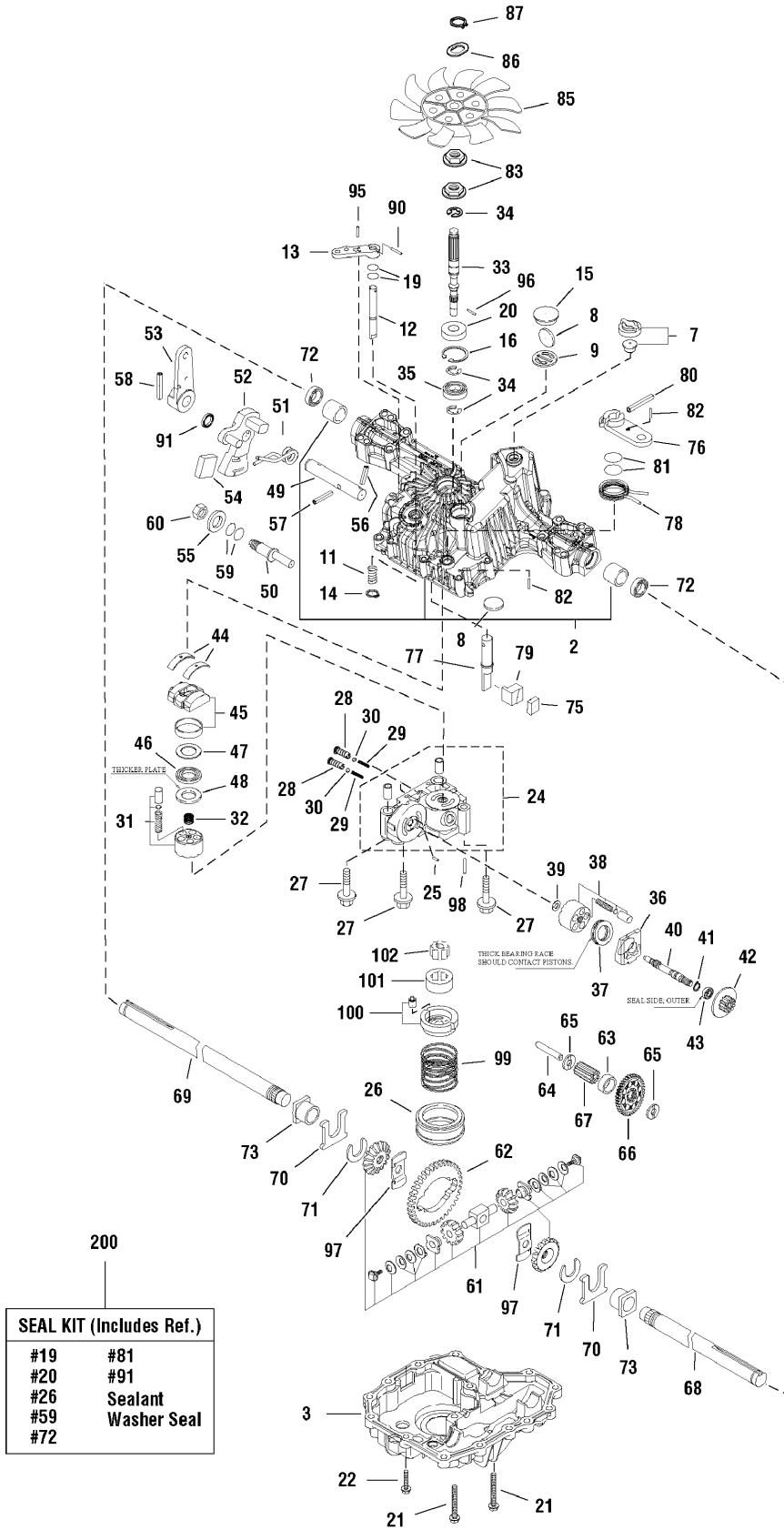


Transmission Service Parts - Tuff Torq K-57A

Item	Part No	Qty	Description	Note
2	1724951	1	HOUSING ASSEMBLY, UPPER	
3	1724938	1	HOUSING, LOWER	
7	1718052	1	VENT VALVE 15	
8	1724279	2	MAGNET, K50	
9	1724280	1	HOLDER, MAGNET	
11	1708684	1	SPRING	
12	1724281	1	SHAFT, BYPASS	
13	1720418	1	LEVER, BYPASS	
14	1718061	1	RING	
15	1724282	1	SEALING CAP	
16	1708650	1	RING 35	
19	1708691	2	PACKING	
20	1724283	1	SEAL TC	
21	1707789	14	SCREW, TAPPING	
22	1724284	2	SCREW, TAPPING	
24	1724939	1	CASE, CENTER	
25	1718070	1	PIN 3 x 9.8	
26	1724954	1	FILTER	
27	1720805	3	BOLT 10 x 75	
28	1724286	2	VALVE, IDS 1.0	
29	1724287	2	SPRING, IDS	
30	1724288	2	BALL, 3/16	
31	1724940	1	CYLINDER BLOCK ASSEMBLY	
32	1724290	1	SPRING, PUMP	
33	1724941	1	SHAFT, PUMP	
34	1718076	3	RING E15	
35	1708673	1	BEARING	
36	1718077	1	HOUSING	
37	1724942	1	BEARING, THRUST	
38	1724289	1	BLOCK, CYLINDER	
39	1718084	1	WASHER 12 x 24 x 1	
40	1724943	1	SHAFT, MOTOR	
41	1708672	1	RING 15	
42	1724944	1	GEAR, MOTOR	
43	1718083	1	BEARING 6202UC3	
44	1718089	2	THRUST METAL	
45	1720426	1	SWASH PLATE ASSEMBLY	
46	1718088	1	THRUST PLATE B	

Footnotes:

Transmission Service Parts - Tuff Torq K-57A

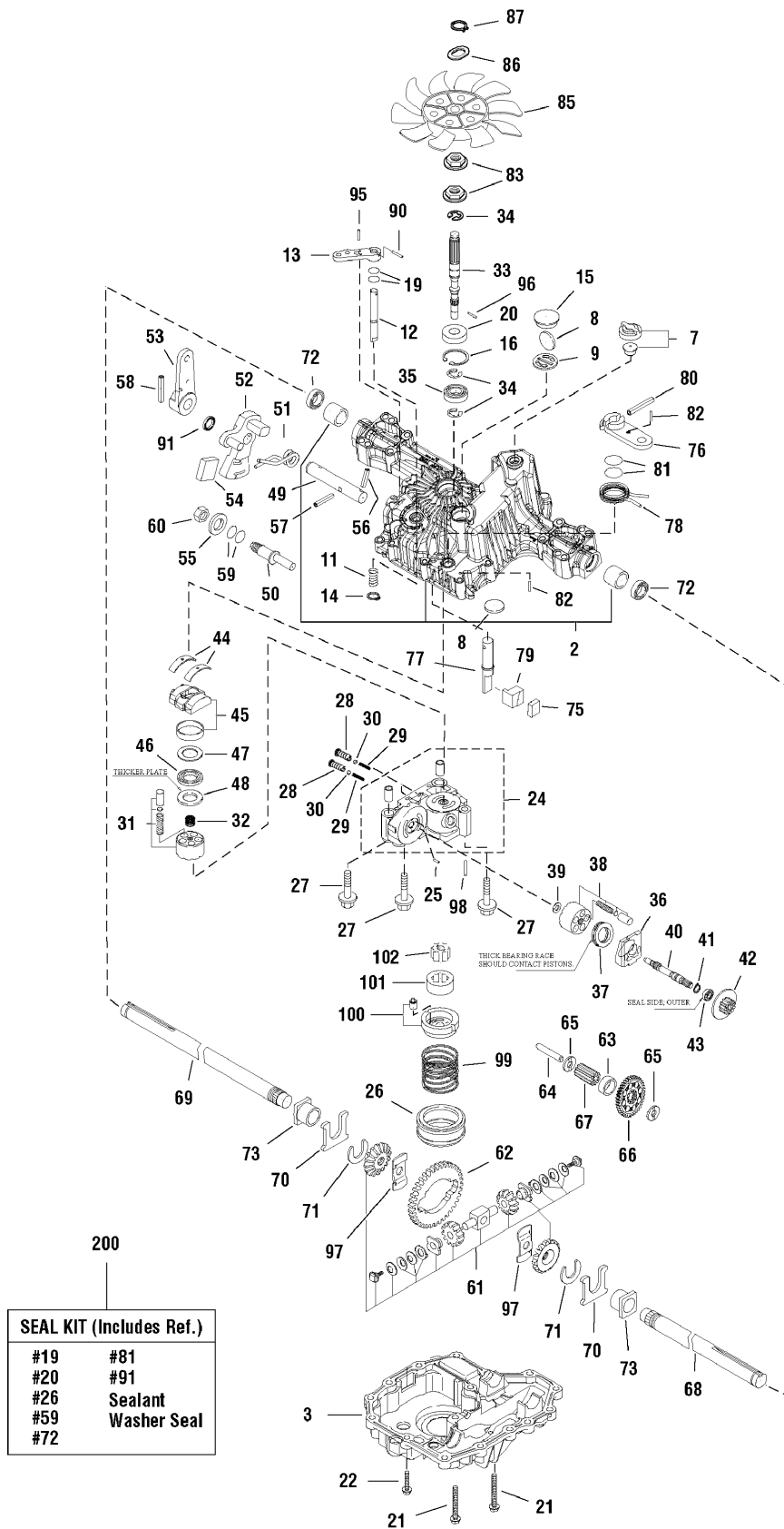


Transmission Service Parts - Tuff Torq K-57A

Item	Part No	Qty	Description	Note
47	1718086	1	BEARING K81105	
48	1718087	1	THRUST PLATE A	
49	1724343	1	SHAFT, CONTROL	
50	1724344	1	FULCRUM, ECCENTRIC	
51	1724345	1	SPRING, TORSION	
52	1724346	1	LEVER, CONTROL	
53	1724347	1	ARM, CONTROL	
54	1724348	1	PLATE, JERK	
55	1708689	1	WASHER	
56	1724349	1	PIN, COTTER	
57	1724296	1	PIN, SPRING	
59	1707879	2	PACKING	
58	1718100	1	PIN 6.0A x 4.0	
60	1708692	1	NUT 12	
61	1724955	1	GEAR & PINION ASSEMBLY	
62	1724945	1	GEAR, FINAL CONTR TRAC	
63	1724946	2	COLLAR, PINION	
64	1724947	1	SHAFT, REDUCTION	
65	1724948	2	WASHER, 12 x 32 x 3.2	
66	1724949	1	GEAR, REDUCTION	
67	1724950	1	PINION, FINAL	
68	1724304	1	SHAFT, AXLE RH	
69	1724303	1	SHAFT, AXLE LH	
70	1718112	2	WASHER, THRUST	
71	1718113	2	RING 17	
72	1718111	2	SEAL 19 x 32 x 8	
73	1718110	2	BUSHING 19 x 21	
75	1724305	1	SHOE, BRAKE	
76	1724306	1	ARM, BRAKE	
77	1724307	1	SHAFT, BRAKE	
78	1724308	1	SPRING, RETURN B	
79	1724309	1	BRAKE, ACTUATOR	
80	1724310	1	PIN	
81	1708690	2	PACKING	
82	1724311	2	PIN, SPRING	
83	1724312	2	COLLAR, SPLINE	
85	1724314	1	FAN	

Footnotes:

Transmission Service Parts - Tuff Torq K-57A

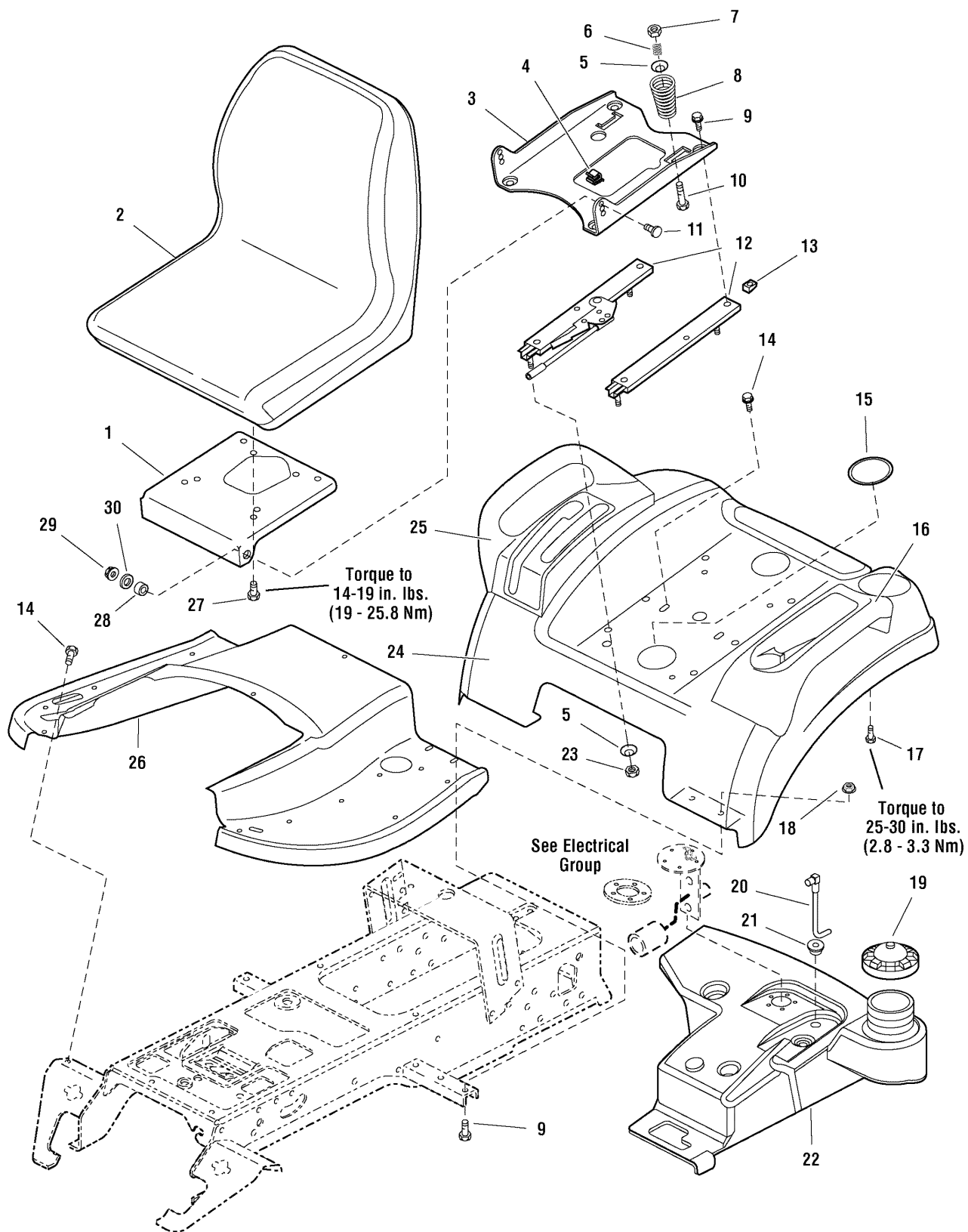


Transmission Service Parts - Tuff Torq K-57A

Item	Part No	Qty	Description	Note
86	1724315	1	LOCKWASHER	
87	1724316	1	RING, SNAP	
90	1720421	1	PIN 3.0A x 20	
91	1724318	1	OIL SEAL	
95	1707839	1	PIN, ROLL	
97	1724956	2	WASHER, THRUST DIFF	
98	1724958	2	PIN, 3.0A x 18	
99	1724957	1	SPRING, CHARGE	
100	1724953	1	CHARGE PUMP CASE ASSEMBLY	
200	1727542	1	K57 SMP SEAL KIT	

Footnotes:

Seat & Seat Deck Group

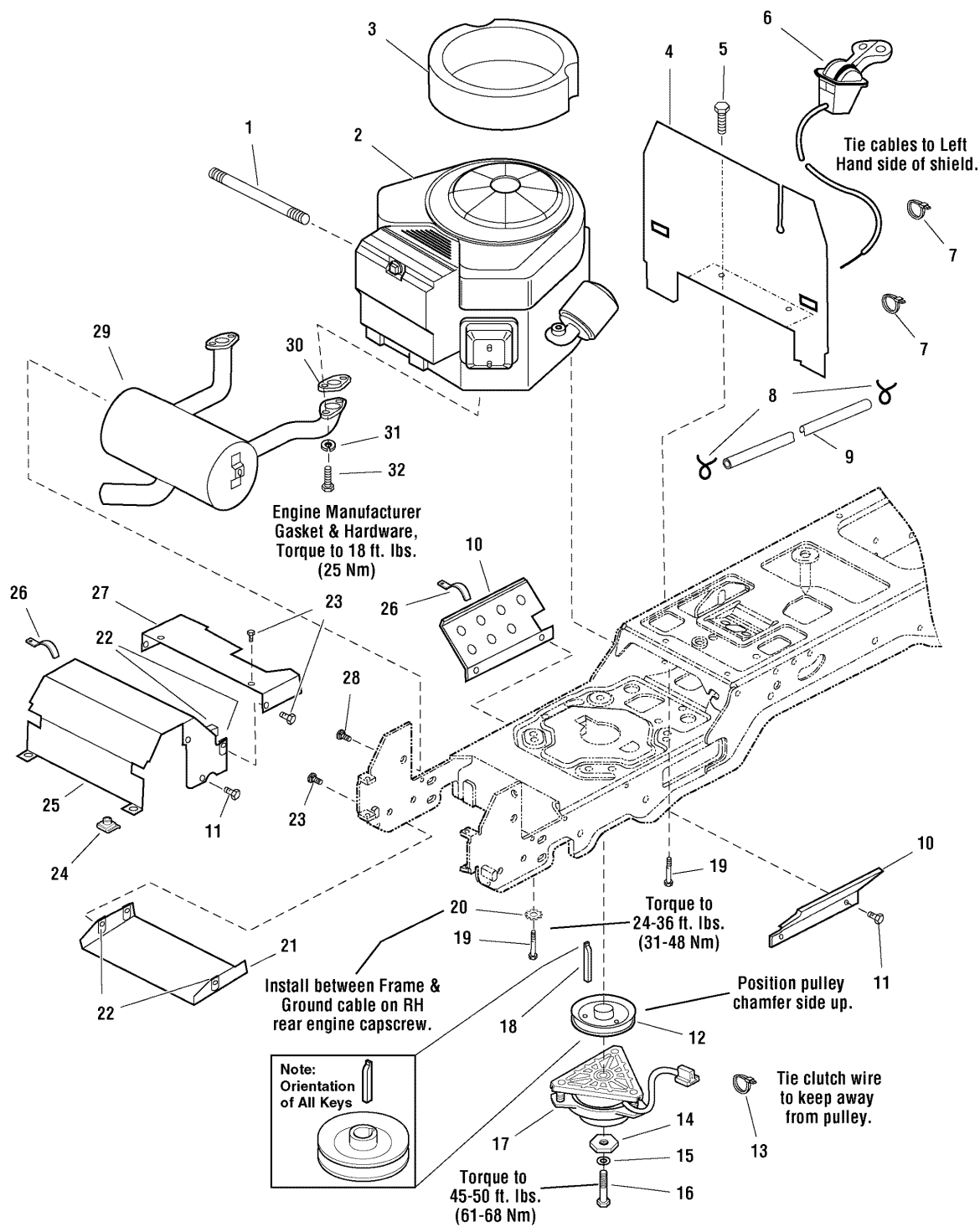


Seat & Seat Deck Group

Item	Part No	Qty	Description	Note
1	1722129A	1	BRACKET, 1-5/8 x 1-3/4	
2	1725019	1	SEAT, 15" Back	
3	1722128A	1	SUPPORT, Seat	
4	2172434	1	CLIP, Wire	
5	1709256A	2	WASHER, Spring, 5/16 x 1-1/4	
6	1714263	2	SPRING, Compression	
7	1919438	10	NUT, Hex Lock, ESNA Light, 5/16-18	
8	1717051	2	SPRING, Compression	
9	1930591	8	CAPSCREW, Hex Flange Whiz Lock, 5/16-18 x 3/4	
10	1931339	2	CARRIAGE BOLT, 5/16-18 x 2	
11	1931350	2	CARRIAGE BOLT, 3/8-16 x 1	
12	1722356	1	SLIDE, Seat	
13	1935255	4	NUT, Speed, 5/16-18, Lug Type	
14	1930601	4	CAPSCREW, Hex Washer Head Taptite, 5/16-18 x 5/8	
15	1722309	2	PLUG, Plastic	
16	1722109	1	POD, with Cup Holder, LH	
17	2860664	8	CAPSCREW, Hex Washer Head, 1/4-20 x 5/8	
18	1931277	4	NUT, Hex Flange Whiz Lock, 5/16-18	
19	1715917	1	CAP, Gas	
20	1726902	1	TUBE & ELBOW ASSEMBLY	
21	1654930	1	BUSHING, 3/8 x 9/16 x 5/8, Rubber	
22	1722432	1	TANK, Fuel	
23	1960636	8	NUT, Hex KEPS, 5/16-18	
24	1722106D	1	DECK, Seat, Red	
25	1722108	1	POD, RH with 2 Slots	
26	1729322D	1	TUNNEL, Red	
27	1960667	8	CAPSCREW, Hex Flange Whiz Lock Dog Point, 5/16-18 x 1	
28	1663752	2	SPACER, 25/64 x 5/8 x 3/16, Hardened	
29	1930645	2	NUT, Hex Flange Two-Way Lock, 3/8-16	
30	1924940	2	WASHER, 3/8	

Footnotes:

Engine & Electric Clutch Group - 16HP Briggs & Stratton, Vanguard



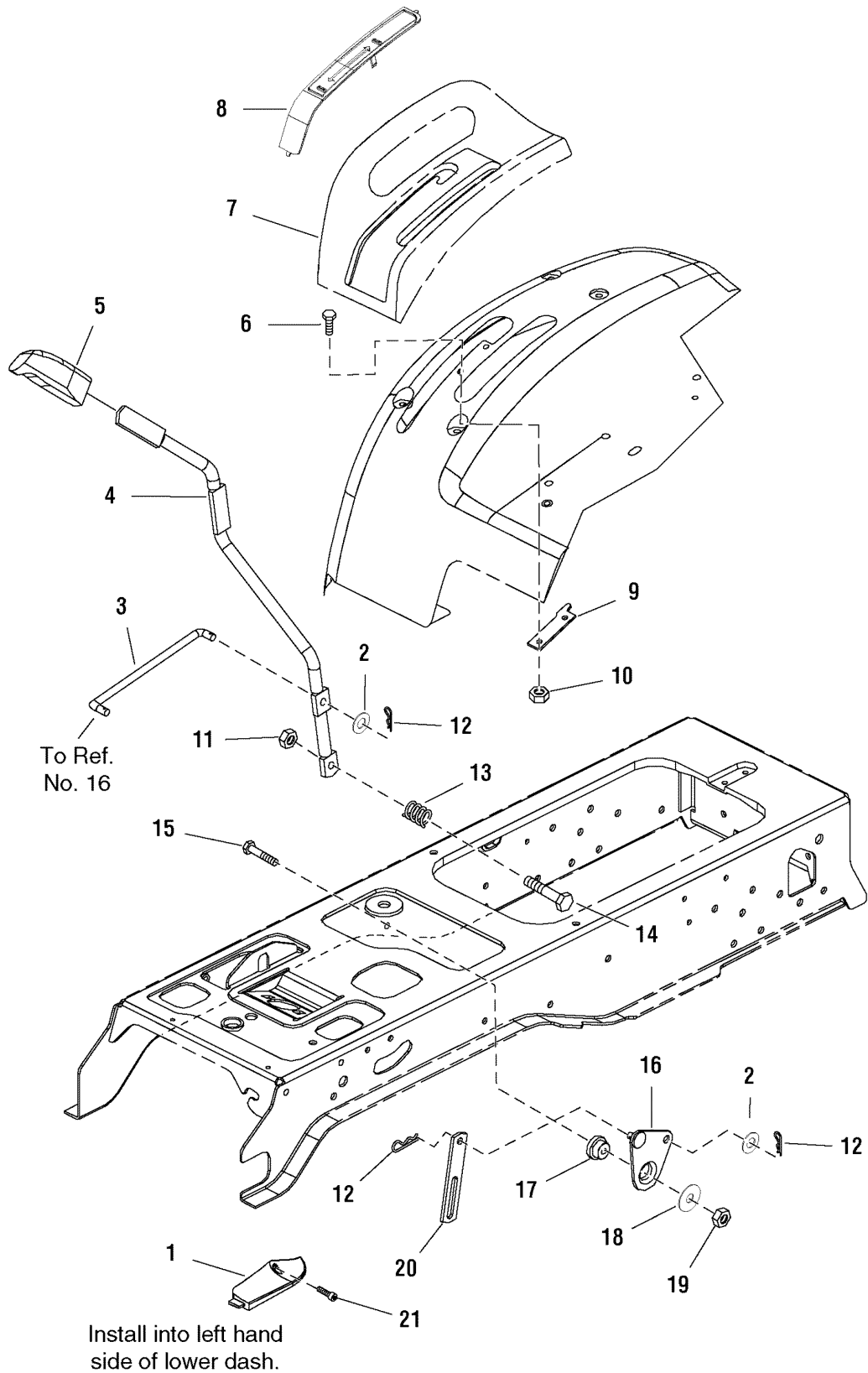
Engine & Electric Clutch Group - 16HP Briggs & Stratton, Vanguard

Item	Part No	Qty	Description	Note
1	1723165	1	HOSE, Oil Drain, 10-1/2" Long, 3/8-18 Fittings	
2	*	1	ENGINE, 16HP Briggs & Stratton Vanguard Twin, Model 303777, Type 1114-E1	
3	1722950	1	SEAL, Circle, 16HP Only	
4	1722388A	1	BULKHEAD	
5	1925003	2	CAPSCREW, Hex Washer Head Taptite, 1/2-20 x 1/2, Black	
6	1727223	1	CONTROL, Throttle Double 39" Long w/Knobs	
7	1701011	2	TIE, Wire, 7-5/16" Long	
8	2860112	2	CLAMP, Hose Type E	
9	1718678	1	HOSE, Fuel, 59" Long	
10	1722392A	2	SHIELD, Side	
11	1929000	8	CAPSCREW, Hex Washer Head Taptite, 1/4-20 x 3/8	
12	1722288	1	PULLEY & HUB ASSEMBLY	
13	2832747	1	TIE, Self Locking, 3-5/8 Long	
14	1708264	1	WASHER, Hex, 7/16, Black	
15	1918199	1	LOCKWASHER, 7/16	
16	1960648	1	CAPSCREW, Hex Head, 7/16-20 x 3-3/4	
17	1686880	1	CLUTCH, Electric	
18	1720463	1	KEY, HI PRO, 1/4 x 2 1/2	
19	2830598	4	CAPSCREW, Hex Washer Head Taptite, 3/8-16 x 1-1/2	
20	2820427	1	LOCKWASHER, External Tooth, 3/8	
21	1722414A	1	SHIELD, Muffler Bottom	
22	1960368	8	NUT, Speed, 1/4-20, Lug	
23	1960295	4	CAPSCREW, Hex Flange Whiz Lock, 1/4-20 x 5/8	
24	1935255	2	NUT, Speed, 5/16-18, Lug, Black	
25	1722389A	1	DUCT, Muffler Top	
26	2834683	2	CLIP, Wire 1/8	
27	1722390A	1	DUCT, Muffler Extension	
28	1924856	2	CAPSCREW, Hex Washer Head Taptite, 5/16-18 x 1/2, Black	
29	1722625	1	MUFFLER, Briggs & Stratton, Vanguard Twin	
30	*	1	GASKET, Briggs & Stratton, Vanguard Twin	
31	1917356	4	LOCKWASHER, 5/16	
32	2860660	4	CAPSCREW, Hex Flange Whiz Lock, 5/16-18 x 7/8	

Footnotes:

* See your local Briggs & Stratton distributor for parts and service.

* See your local Briggs & Stratton distributor for parts and service.

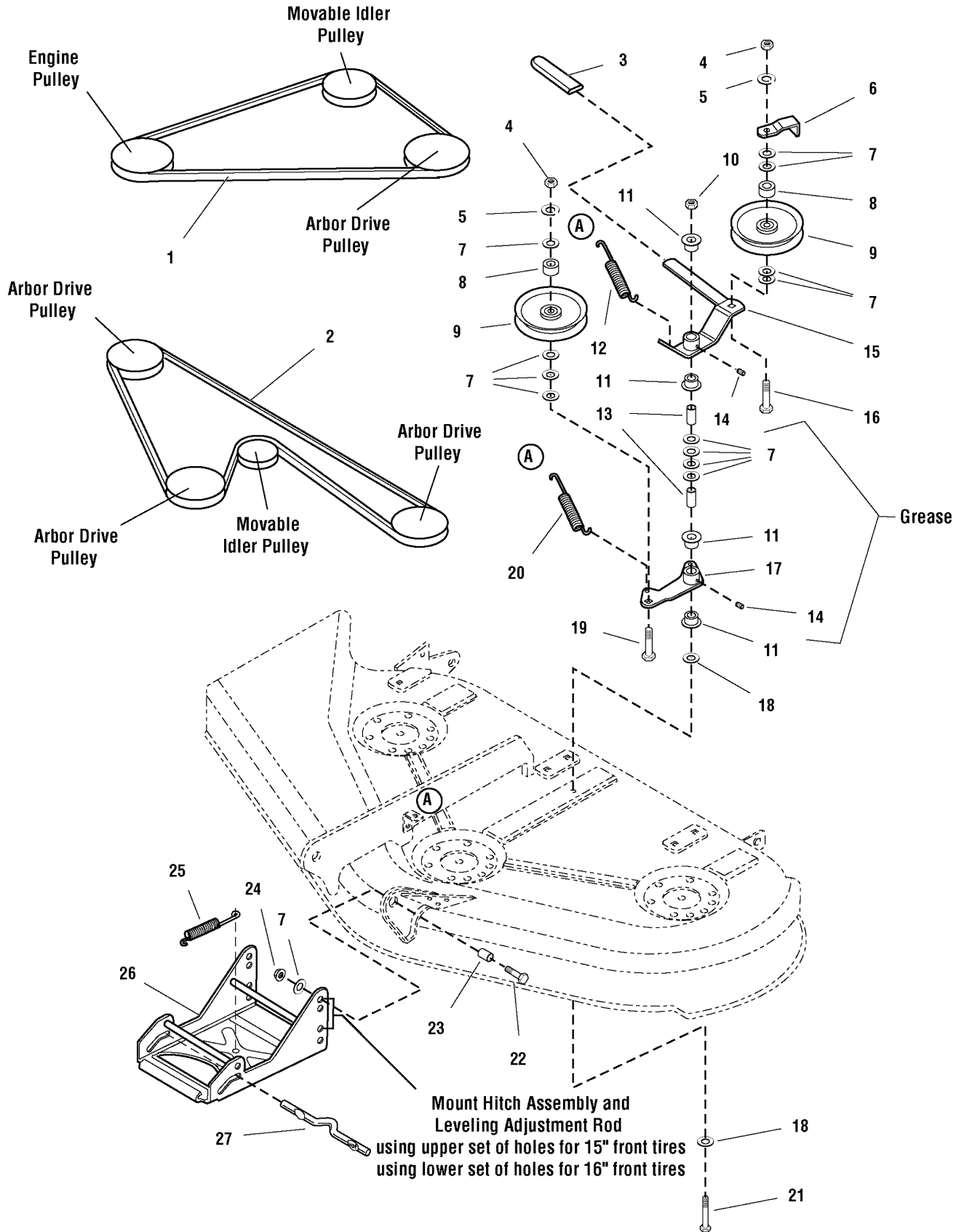


Lift Group - Manual Lift

Item	Part No	Qty	Description	Note
1	1722285	1	COVER, Dash	
2	1924940	2	WASHER	
3	1721789	1	ROD	
4	1722024A	1	ROD, Lift	
5	1722302	1	GRIP, Black Vinyl	
6	1923341	2	CAPSCREW, Hex Head, 1/4-20 x 3/4	
7	1722108	1	POD, RH	
8	1722313	1	COVER, with Lift Icon, for Models without Cruise Control	
9	1722284A	1	QUADRANT	
10	1920397	2	NUT, Hex Lock ESNA, 1/4-20	
11	1930645	1	NUT, Hex Flange Lock, 3/8-16	
12	1722460	3	PIN, Quick	
13	2162085	1	SPRING, Compression	
14	1923701	1	CAPSCREW, Hex Head, 3/8-16 x 2	
15	1921977	1	CAPSCREW, Hex Head, 5/16-18 x 1-1/4	
16	1722491	1	CAM & PIN ASSEMBLY	
17	1704629	1	SPACER	
18	1960044	1	WASHER	
19	1919438	1	NUT, Hex Lock, 5/16-18	
20	1704756A	1	LINK	
21	1722607	1	SCREW, Torx Head, # 8-16 x 1/2	

Footnotes:

44" Mower Deck - Belt, Idler Arm & Hitch

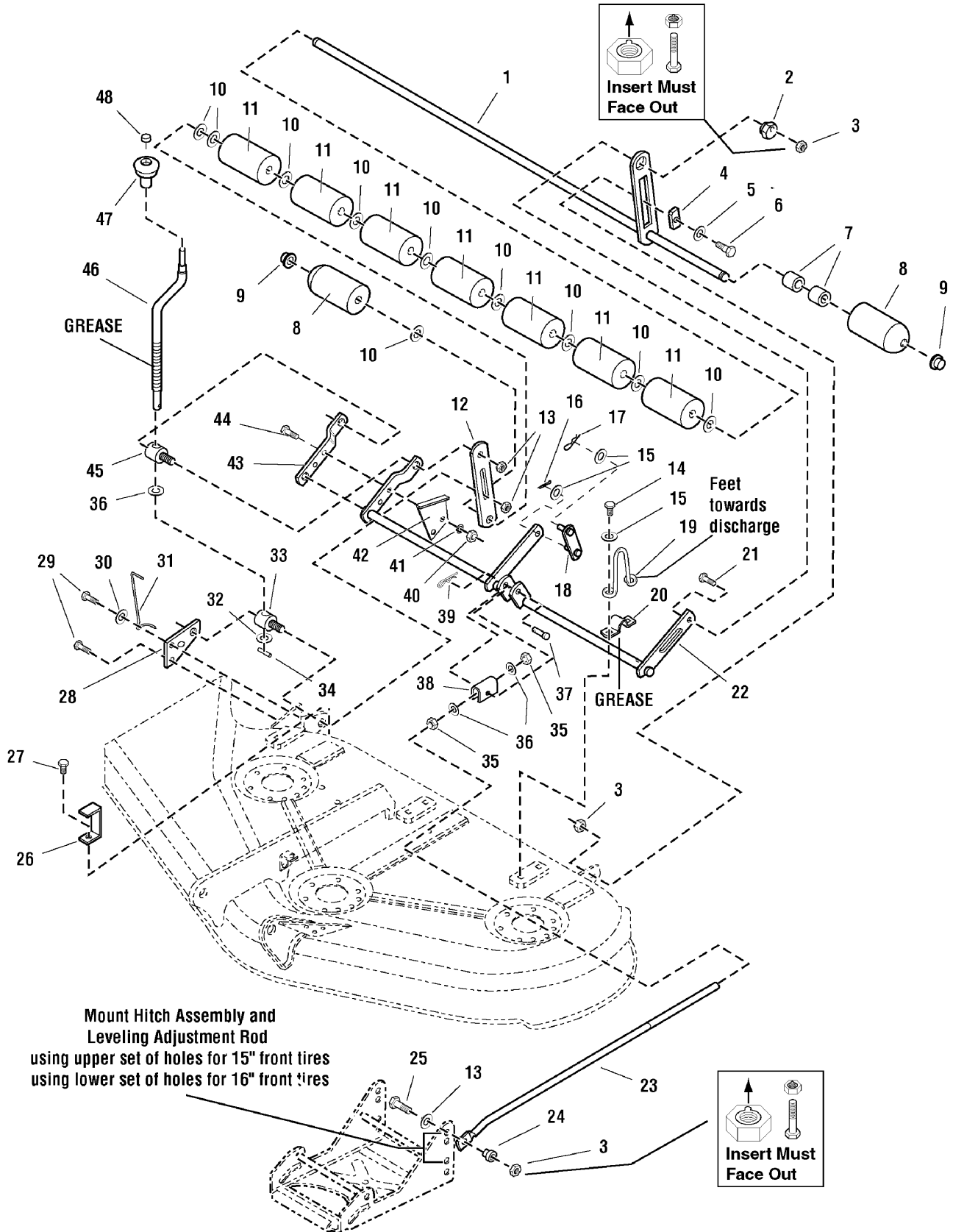


44" Mower Deck - Belt, Idler Arm & Hitch

Item	Part No	Qty	Description	Note
1	1601672	1	V-BELT, Mower Drive	
2	1721532	1	V-BELT, Arbor Drive	
3	1665835	1	GRIP, Lever	
4	1916950	2	NUT, Hex, 3/8-16	
5	1916965	2	WASHER, Lock, 3/8	
6	1677135A	1	BELT STOP, Idler	
7	1924940	14	WASHER, 3/8	
8	1666294	2	SPACER, 25/64 x 21/32 x 7/16, Powder Metal	
9	1685150	2	PULLEY, Idler, (Includes Ref. No. 8)	
10	1960339	1	NUT, Hex Flange, 3/8-16, MAC Lock Large, Black	
11	1676148	4	BUSHING, 5/8 x 3/4 x 13/32, Powder Metal	
12	1715435	1	SPRING	
13	1674669A	2	SPACER, 25/64 x 5/8 x 1-1/8, Case Hardened	
14	2812808	2	GREASE FITTING	
15	1704658	1	LEVER ASSEMBLY, Idler, (Includes Ref. Nos. 3, 11 & 14)	
16	1960315	1	CARRIAGE BOLT, 3/8-16 x 2	
17	1718561	1	LEVER ASSEMBLY, Idler Arm, (Includes Ref. Nos. 11 & 14)	
18	1924356	2	WASHER, 3/8, Black	
19	1931352	1	CARRIAGE BOLT, 3/8-16 x 1-1/2	
20	1656936	1	SPRING	
21	1923938	1	CAPSCREW, Hex Head, 3/8-16 x 3-1/2	
22	1921968	2	CAPSCREW, Hex Head, 3/8-16 x 1-3/8	
23	2157081	2	SPACER, 3/8 x 3/4 x 1/2	
24	2860681	2	NUT, Hex Toplock Spirallock Flange, 3/8-16	
25	2156302	1	SPRING	
26	1707432A	1	HITCH ASSEMBLY	
27	1715759	1	ROD, Latch	

Footnotes:

44" Mower Deck - Height Adjustment & Roller Bar

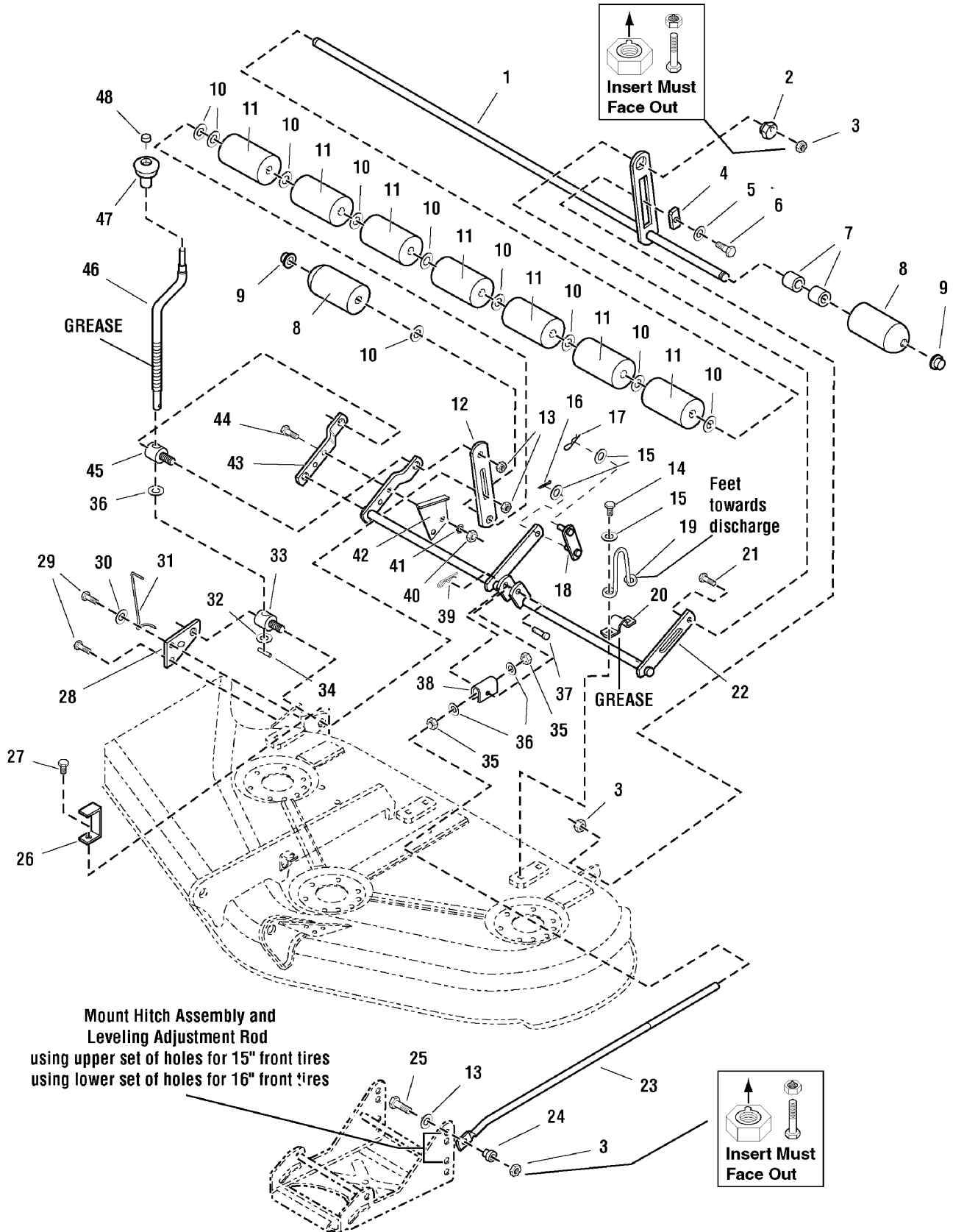


44" Mower Deck - Height Adjustment & Roller Bar

Item	Part No	Qty	Description	Note
1	1685443	1	SHAFT & BAR ASSEMBLY, 44" (Includes Ref. No. 9)	
2	1704082	1	NUT, Adjuster	
3	2860681	3	NUT, Toplock Spiral Flange, 3/8-16	
4	1677507	1	SLIDE	
5	1924361	1	WASHER, Plain, 1/2	
6	2172622	1	BOLT, Shoulder, 3/8-16	
7	1602946	2	SPACER, 25/64 x 13/16 x 13/16, Steel, Black	
8	1722036	2	ROLLER, Rounded, 2-1/2 Long	
9	1960520	2	NUT, Push	
10	1924366	10	WASHER, Plain, 1-1/4	
11	1668513	7	ROLLER	
12	1704074A	1	BAR, Roller	
13	1930644	2	NUT, Hex, Flange, Lock, 1/2-13	
14	1664847	5	CAPSCREW, Hex Head Taptite, 5/16 -18 x 3/4	
15	1924940	3	WASHER, 3/8	
16	1918448	1	PIN, Cotter	
17	2176012	1	RETAINER, Pin, Spring	
18	1705049	1	BRACKET & PIN ASSEMBLY	
19	1720659	1	UPSTOP	
20	1665374A	3	STRAP, Mower Arm Assembly	
21	1931352	1	CARRIAGE BOLT, 3/8-16 x 1-1/2	
22	1723407A	1	ARM ASSEMBLY, Mower	
23	1704093	1	ROD, Adjustment	
24	1706644	1	SPACER, 3/8 x 3/4 x 15/16	
25	1922606	1	CAPSCREW, Hex Head, 3/8-16 x 1-3/4	
26	1722750	1	BRACKET, Upstop	
27	1960373	2	CAPSCREW, Hex Washer Head Taptite, 5/16-18 x 1, Black	
28	1704080A	1	PLATE, Mower Support	
29	1931202	2	CAPSCREW, Hex Head Taptite, 5/16-18 x 1-1/4	
30	1919381	1	WASHER, 5/16, Black	
31	1704114	1	INDICATOR, Height of Cut	
32	1704097	1	WASHER, Detent	
33	1704086	1	TRUNNION	
34	2816001	1	PIN, Roll, 1	
35	1913744	2	NUT, Hex, Jam, 1/2-13	
36	1960170	3	WASHER, 33/64	
37	2118053	1	PIN, Clevis	

Footnotes:

44" Mower Deck - Height Adjustment & Roller Bar

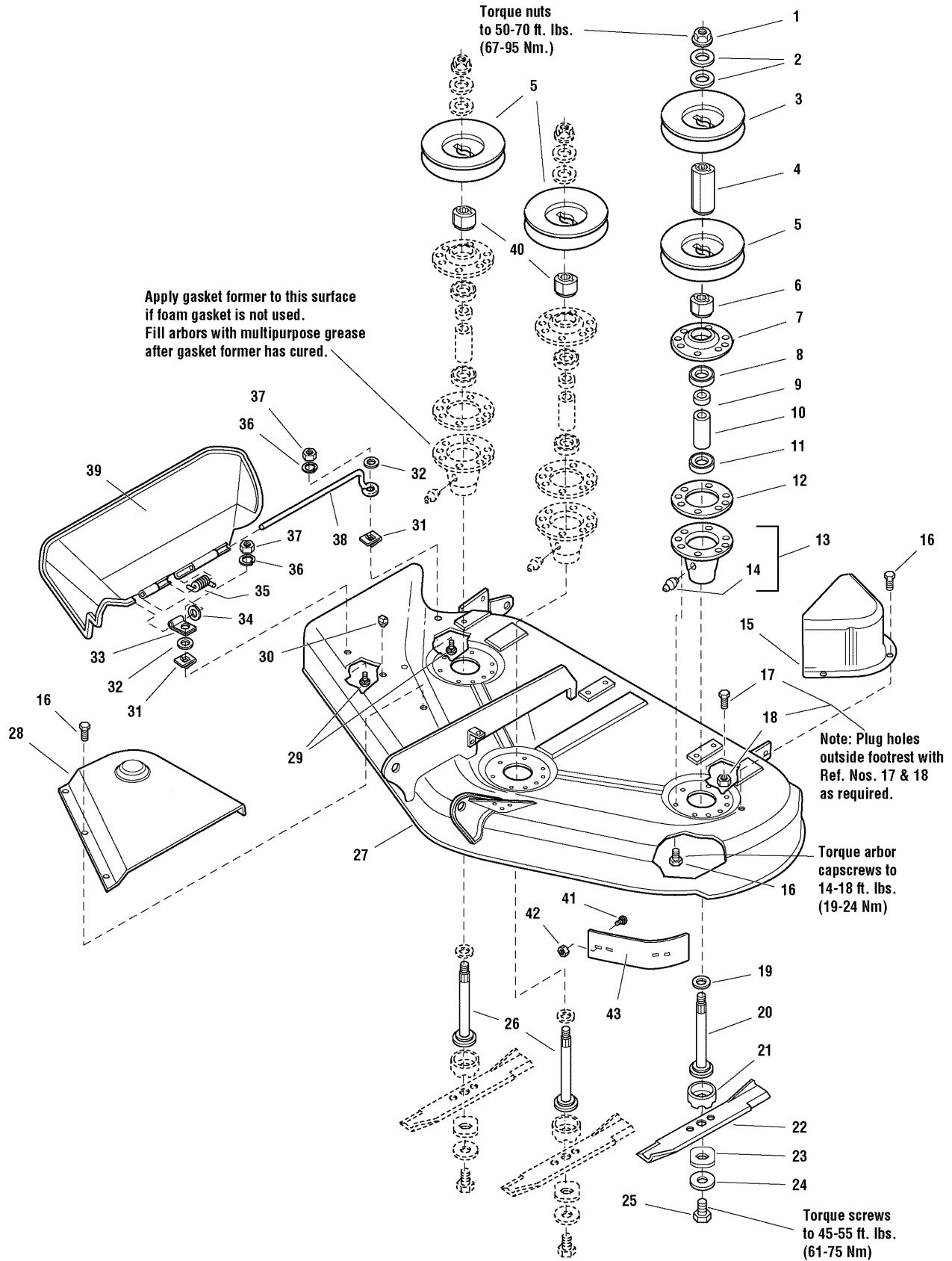


44" Mower Deck - Height Adjustment & Roller Bar

Item	Part No	Qty	Description	Note
38	1704081A	1	TRUNNION	
39	1960074	2	CLIP, Hair Pin	
40	1917372	2	NUT, Hex, 5/16-18	
41	1917356	2	WASHER, Lock, 5/16	
42	1704116A	1	BRACKET, Height of Cut	
43	1704083A	1	ARM, Rear, Mower, RH	
44	1921977	2	CAPSCREW, Hex Head, 5/16-18 x 1-1/4	
45	1704087	1	TRUNNION, Threaded	
46	1719901	1	CRANK, Height of Cut	
47	1714084	1	KNOB, Height Crank	
48	1960093	1	PAL NUT	

Footnotes:

44" Mower Deck - Housing, Arbors & Blades

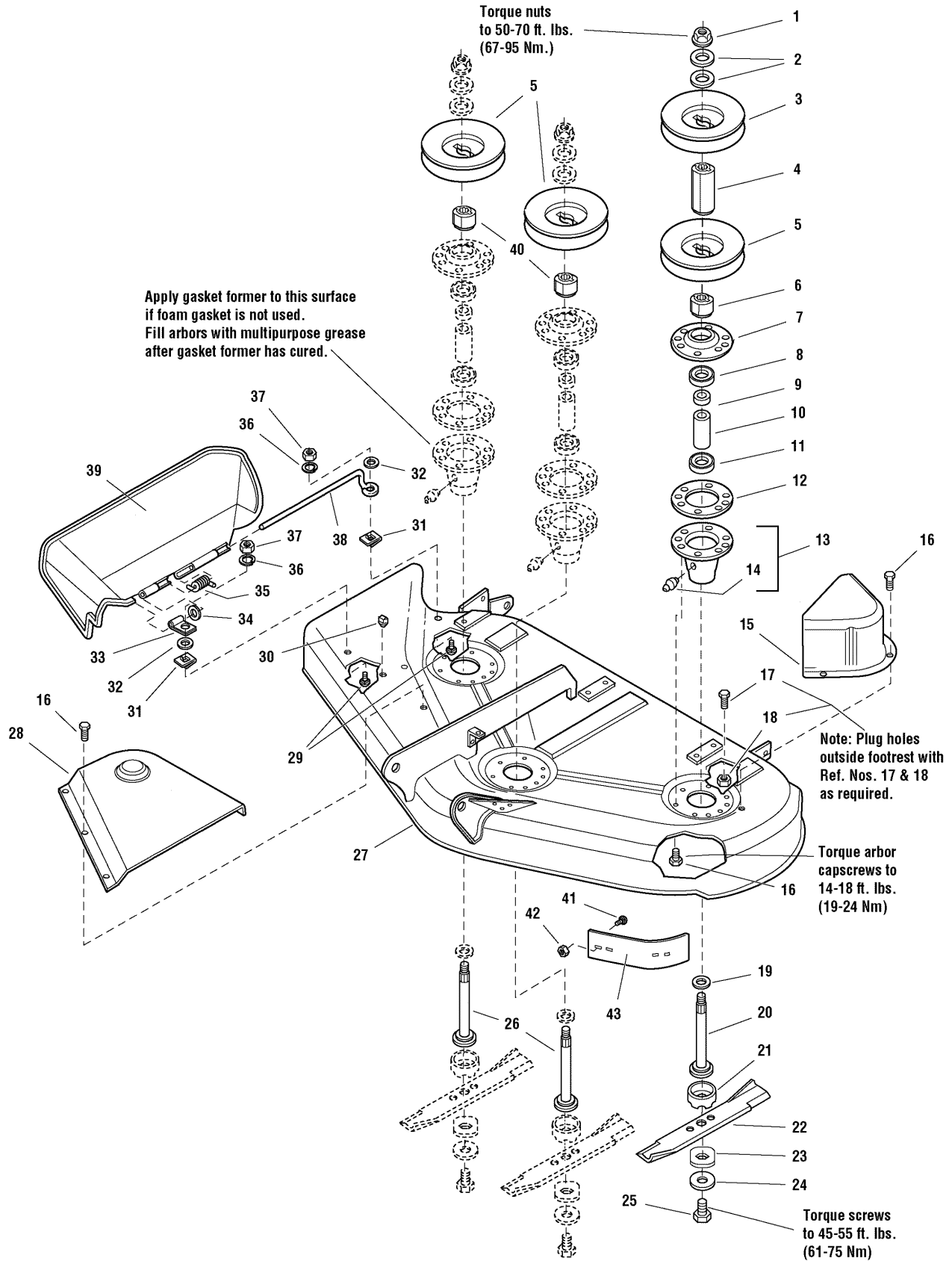


44" Mower Deck - Housing, Arbors & Blades

Item	Part No	Qty	Description	Note
1	1714419	3	NUT, Hex Flange, 9/16-18	
2	1713675	6	WASHER, Bellevilled, 9/16	
3	1713161	1	PULLEY, 4-1/2 O.D.	
4	1713158	1	HUB, Double Pulley	
5	1713098	3	PULLEY, 4-1/4 O.D.	
6	1713533	1	HUB, Double Pulley	
7	1655729A	3	COVER, Arbor Housing	
8	2108202	3	BEARING, Ball, 3/4 x 1-3/4 x 5/8	
9	1715724	3	SPACER, 21/32 x 3/4 x 5/8	
10	1715723	3	SPACER, 11/16 x 5/32 x 2-11/16	
11	1705897	3	BEARING, Ball, 11/16 x 1-9/16 x 15/32	
12	1707335	3	GASKET, Foam	
13	1713338	3	ARBOR HOUSING ASSEMBLY, (Includes Ref. No. 14)	
14	1704314	3	FITTING, Grease	
15	1720560A	1	COVER, Arbor	
16	1664847	26	CAPSCREW, Hex Head Taptite, 5/16-18 x 3/4	
17	1924856	1	CAPSCREW, Hex Washer Head, 5/16-18 x 1/2, Black	
18	1931277	1	NUT, Hex Flange, 5/16,	
19	1713619	3	WASHER, Bellevilled, 9/16, Black	
20	1713612	1	SHAFT, Arbor (LH)	
21	1713196	3	SHIELD, Grass, Lower	
22	1704100A	3	BLADE, Mower, 16-1/8 (for 44" Decks)	
23	1713089	3	WASHER, Hex, 11/16 x 2	
24	1656916	3	WASHER, Spring 15/32, Black	
25	2823471	3	CAPSCREW, Hex Head, 7/16-14 x 1	
26	1713195	2	SHAFT, Arbor (Center & RH)	
27	1687154	1	MOWER HOUSING ASSEMBLY, 44" Mower (Red)	
28	1703601	1	COVER, Arbor	
29	1931318	2	CARRIAGE BOLT, 1/4-20 x 7/8	
30	1705115	1	PLUG, Hole	
31	1960518	2	NUT, Push	
32	1960353	2	WASHER, 1/4, Black	
33	1704873	1	CLAMP	
34	1919326	1	WASHER, 5/16, Black	
35	1723938	1	SPRING	
36	1916964	2	WASHER, Lock, 1/4	
37	1916622	2	NUT, Hex, 1/4-20	

Footnotes:

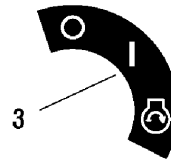
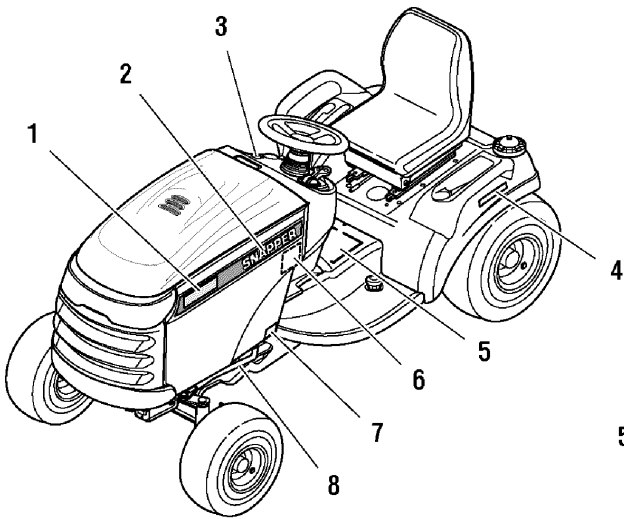
44" Mower Deck - Housing, Arbors & Blades



44" Mower Deck - Housing, Arbors & Blades

Item	Part No	Qty	Description	Note
38	1706709A	1	ROD, Deflector, Front	
39	1705449	1	DEFLECTOR, Plastic	
40	1713197	2	HUB, Pulley, Center & RH	
41	1931333	2	CARRIAGE BOLT, 5/16-18 x 3/4	
42	1927557	2	NUT, Hex Flagne Whiz Lock, 5/16-18	
43	1724538A	1	BAFFLE, Blowout, 44" & 50"	

Footnotes:



⚠ DANGER

OPERATING ON SLOPES CAN BE DANGEROUS

SEE OPERATOR'S MANUAL. IF YOU CANNOT BACK-UP A HILL, DO NOT ENTER ON IT.

AVOID SERIOUS INJURY OR DEATH

- READ OPERATOR'S MANUAL
- KNOW LOCATION AND FUNCTION OF ALL CONTROLS
- KEEP FEET FIRMLY PLANTED ON PEDALS, SHIFTERS, ETC. WHILE DRIVING
- REMOVING BLADES THAT COULD BE THROWN BY THE BLADE
- DO NOT ALLOW WHEELS TO CLIMB OR STEEP SLOPES AROUND
- HOLD WHEELS FIRMLY AGAINST THE BLADES
- LOCK DOWN AND GEAR UP BEFORE AND WHILE BACKING
- HOLD DOWN BRAKE
- F WITH FRONT BACKUP HILL, DO NOT REVERSE ON IT
- CLIMB DOWN BLADES, NOT AROUND
- F FRONT END PROTECTORS MUST BE STOPPED BEFORE BACKING DOWN
- F BACKING DOWN MUST BE STOPPED BEFORE PLACING WHEELS ON FEET (NEED BLADES)
- F HOLD WHEELS FIRMLY ON FEET (NEED BLADES) AND SET PARKING BRAKE

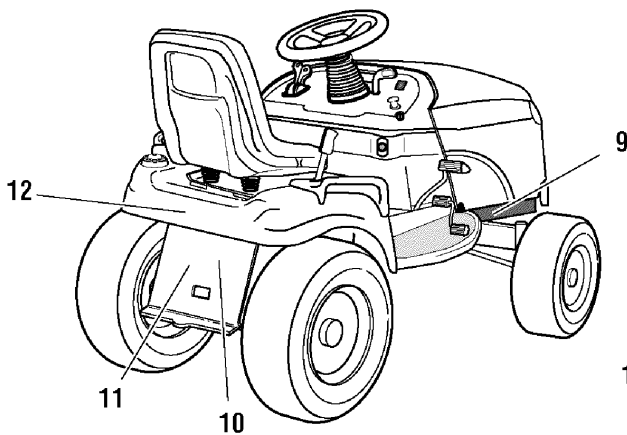
⚠ DANGER

ROTATING BLADES CUT OFF ARMS AND LEGS

STOP IMMEDIATELY WHEN CHILDREN ARE NEAR

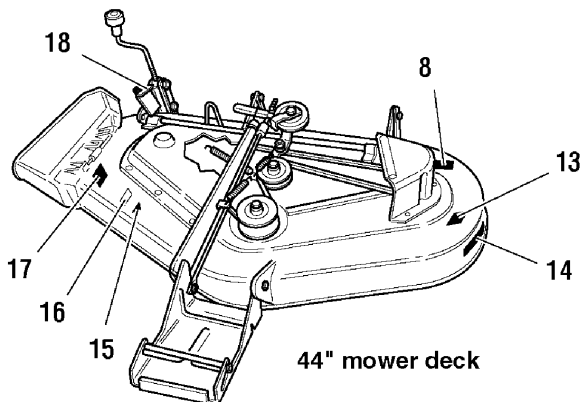
NO RIDERS — THEY FALL OFF

DO NOT TOW TRACTOR! DAMAGE MAY RESULT TO TRANSMISSION



MOWER BELTS & BLADES	
20" Mower	
Drive Belt	1716824
Mower Blade - Left	1704800
Mower Blade - Right	1704801
40" Mower	
Drive Belt	1801870
Deck Drive Belt	1802811
Mower Blade - Left	1704800
Mower Blade - Right	1704801
44" Mower	
Drive Belt	1801870
Deck Drive Belt	1802811
Mower Blade	1704800
50" Mower	
Drive Belt	1716824
Mower Blade - Left	1704800
Mower Blade - Right	1704801

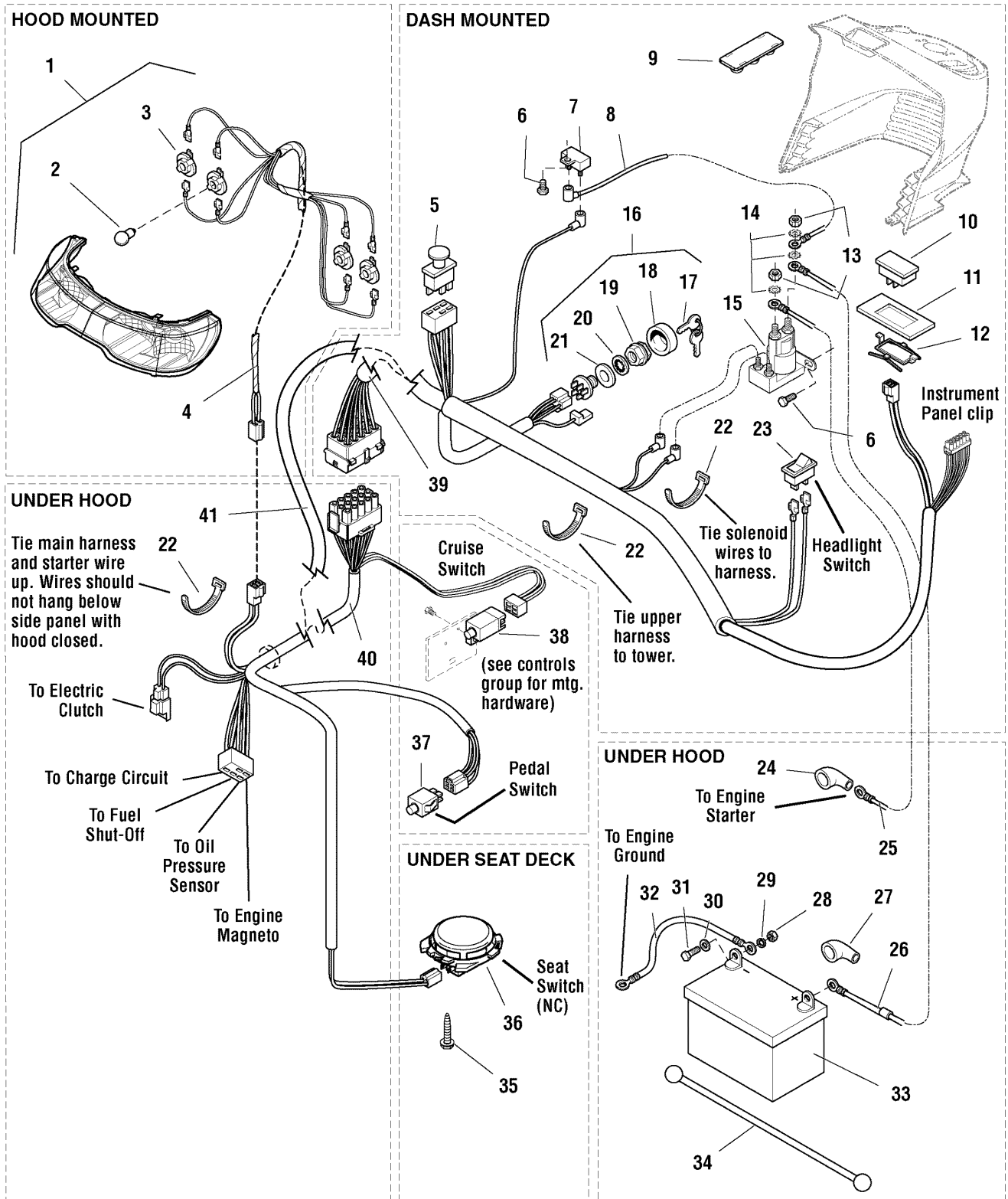
For safety and reliability, we list our genuine Simplicity Manufacturing, Inc. tools and blades. Your name stamped on the part is your assurance of quality.



Decal Group

Item	Part No	Qty	Description	Note
1	1725062	2	DECAL, LT1644	
2	1725065	1	DECAL, Hood Stripe, Snapper, LH	
2	1725066	1	DECAL, Hood Stripe, Snapper, RH	
3	1722806	1	DECAL, Ignition Switch Symbols, White/Black	
4	1718025	1	DECAL, Automatic Control Traction	
5	1722814	1	DECAL, Tunnel Cover, Danger Slopes/Blades	
6	1725158	1	DECAL, Drive Belts & Mower Blades	
7	1723296	2	DECAL, Protective Sticker	
8	*	1	DECAL, I.D. Plate	
9	*	1	DECAL, Patent	
10	1708927	1	DECAL, USA Logo Stars & Stripe	
11	1723160	1	DECAL, Transmission Release Valve	
12	1725061	1	DECAL, Snapper	
13	1704276	1	DECAL, Danger Do Not Put Hands/Feet in Mower	
14	1722771	1	DECAL, Free Floating Mower, Silver	
15	*	1	DECAL, OPEI Certified	
16	1722789	1	DECAL, 44", Silver on Black with Stripe	
17	1704277	1	DECAL, Danger Do Not Operate Without Deflector	
18	1721197	1	DECAL, Height of Cut, 38" & 44"	

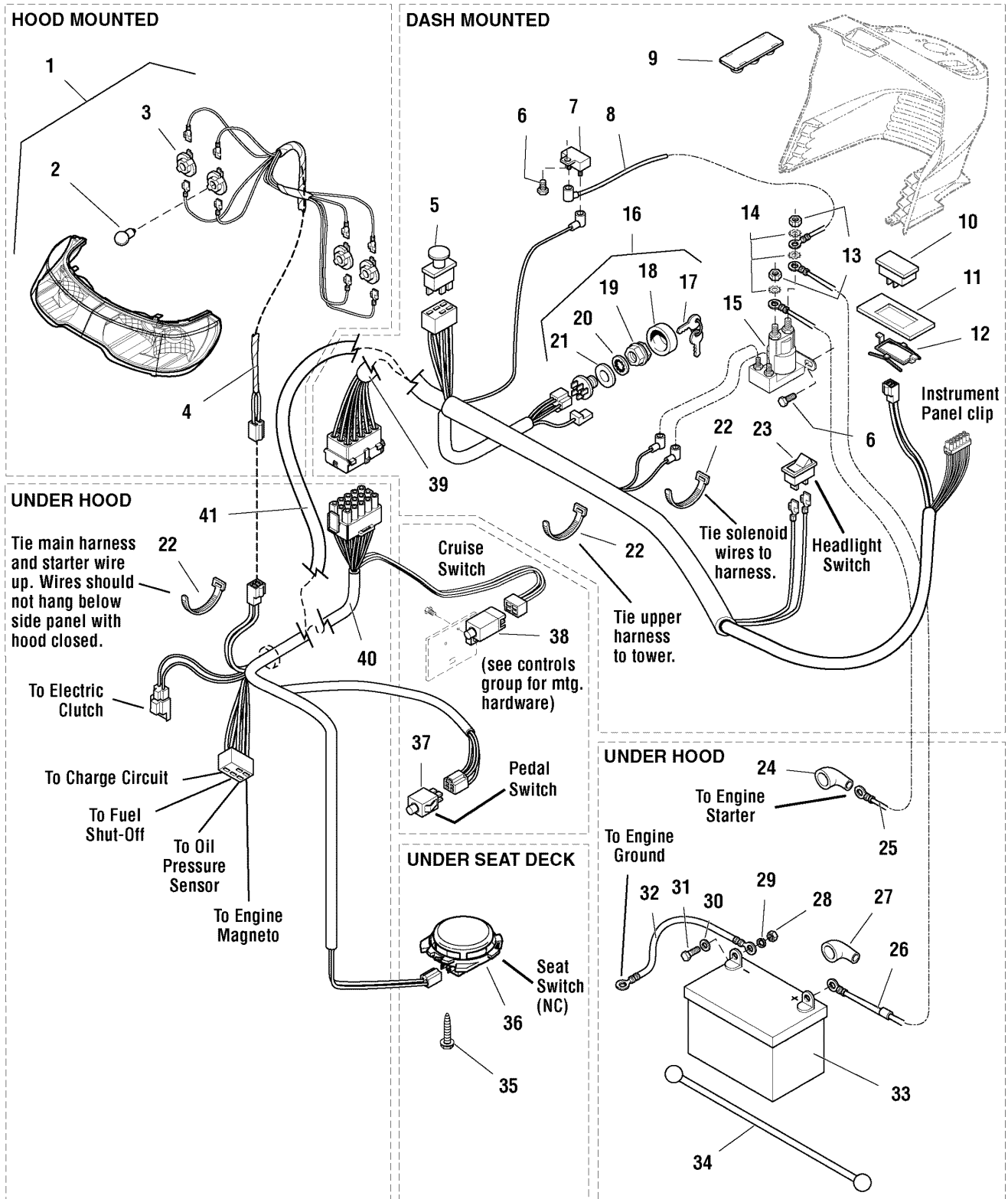
Footnotes:



Electrical Group

Item	Part No	Qty	Description	Note
1	1721810	1	HEADLIGHT ASSEMBLY, 4 Bulb, (Includes Ref. Nos. 2 & 3)	
2	1677371	4	BULB, Headlight, 12.8V	
3	1723451	4	SOCKET ASSEMBLY, Headlight, Sealed	
4	1722669	1	HARNESS, Headlight	
5	1722887	1	SWITCH, PTO Push/Pull Symbols	
6	1925003	2	CAPSCREW, Hex Washer Head Taptite, 1/4-20 x 1/2, Black	
7	1665238	1	BREAKER, Circuit, 12 Volt 20 Amps	
8	1665237	1	WIRE, 12GA 5-15/16 Long, Red	
9	1722611	1	PLUG, Hole, Square	
10	1725523	1	HOUR METER, (Includes Ref. Nos. 12)	
11	1725524	1	PLUG, Dash	
12	1725835	1	CLIP, Hour Meter (Service Only)	
13	1920263	2	NUT, Hex, 5/16-24	
14	2820426	3	LOCKWASHER, External Tooth, 5/16	
15	1722739	1	SOLENOID	
16	1686734	1	SWITCH ASSEMBLY, Ignition, 6 Pin, (Includes Ref. Nos. 17, 18, 19, 20 & 21)	
17	1717163	1	KEYS, Set of 2	
18	1717550	1	COVER, For Ignition Switch, Plastic	
19	1717549	1	NUT, Hex Flange, 5/8-32, Ignition Switch	
20	1960547	1	LOCKWASHER, Internal Tooth, 5/8, Thin	
21	2101025	1	WASHER, Shim	
22	1701011	3	TIE, Strap, 7-5/16 Long	
23	1716951	1	SWITCH, Headlights , 2 Terminal	
24	1713535	1	BOOT, Insulator Cable Terminal, 1-15/16 Long, Red	
25	1721830	1	CABLE, #6 x 25" Long, Ring Terminals	
26	1603618	1	CABLE, #6 x 8" Long, Ring Terminals	
27	1677296	1	BOOT, Insulator Battery Terminal	
28	2816622	3	NUT, Hex, 1/4-20	
29	2816964	2	LOCKWASHER, 1/4	
30	2821319	2	WASHER, 1/4	
31	2823341	2	CAPSCREW, Hex Head, 1/4-20 x 3/4	
32	1713163	1	CABLE, #6 x 26 Long, Ring Terminal	
33	1685215	1	BATTERY, 12 Volt	
34	1722009	1	STRAP, Battery, 14 Long, Rubber	
35	1960536	2	CAPSCREW, Hex Washer Head Plastite, 1/4 x 1/2	
36	1716368	1	SWITCH, Seat, Grey, NC	
37	1723249	1	SWITCH, Push Button, Foot Pedal	

Footnotes:



Electrical Group

Item	Part No	Qty	Description	Note
38	1717050	1	SWITCH, Cruise Control, Grey, NO	
39	1722715	1	HARNESS, Wiring Upper (Units with 2 Piece Harnes)	
40	1724871	1	HARNESS, Wiring Lower (Units with 2 Piece Harness)	
41	1725634	1	HARNESS, Wiring, (Units with 1 Piece Harness)	

Footnotes:

Parts Manual for

SNAPPER®

LAWN TRACTOR ELECTRIC CLUTCH HYDRO DRIVE SERIES 0

IT IS THE POLICY OF SNAPPER TO IMPROVE ITS PRODUCTS
WHENEVER IT IS POSSIBLE AND PRACTICAL TO DO SO. WE
RESERVE THE RIGHT TO MAKE CHANGES OR ADD IMPROVEMENTS
AT ANY TIME WITHOUT INCURRING ANY OBLIGATION TO MAKE
SUCH CHANGES ON PRODUCTS MANUFACTURED PREVIOUSLY.

SNAPPER® McDonough, GA, 30253 U.S.A.