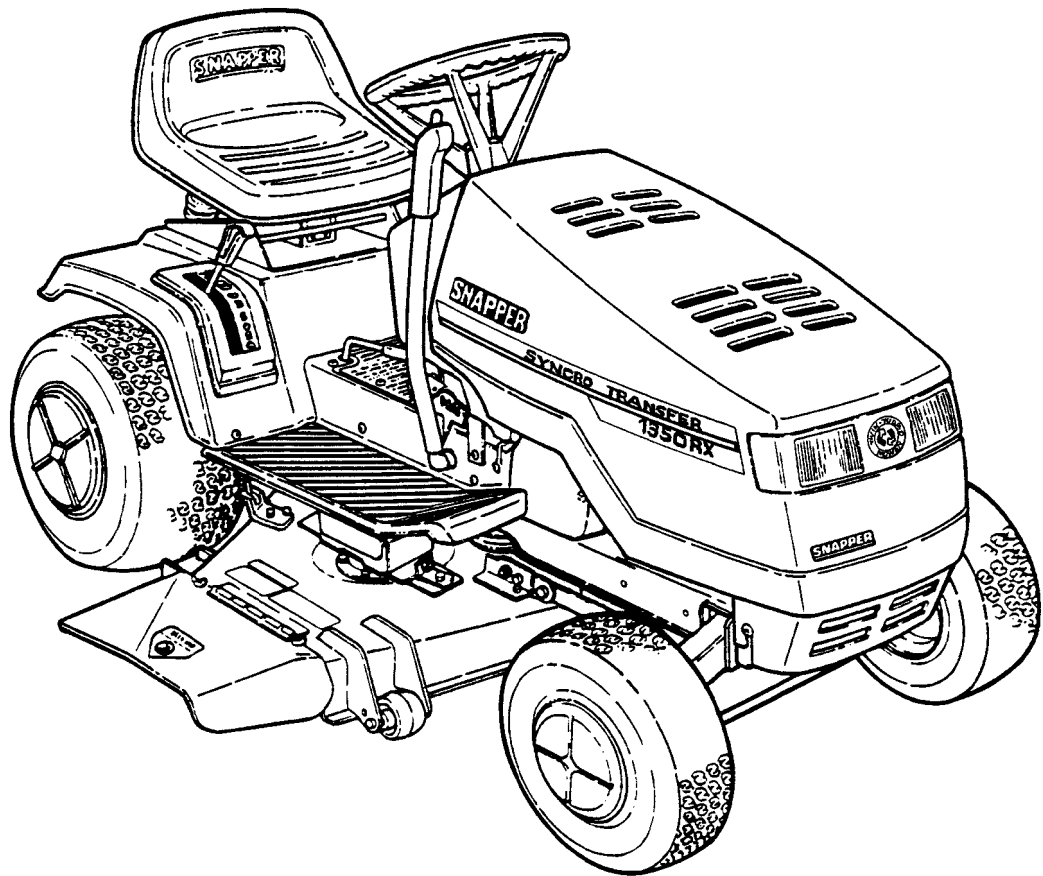


Parts Manual for

SNAPPER[®]

**LT125G33, LT125G41,
& RLT125G33 SERIES 1
GEAR DRIVE TRACTOR**



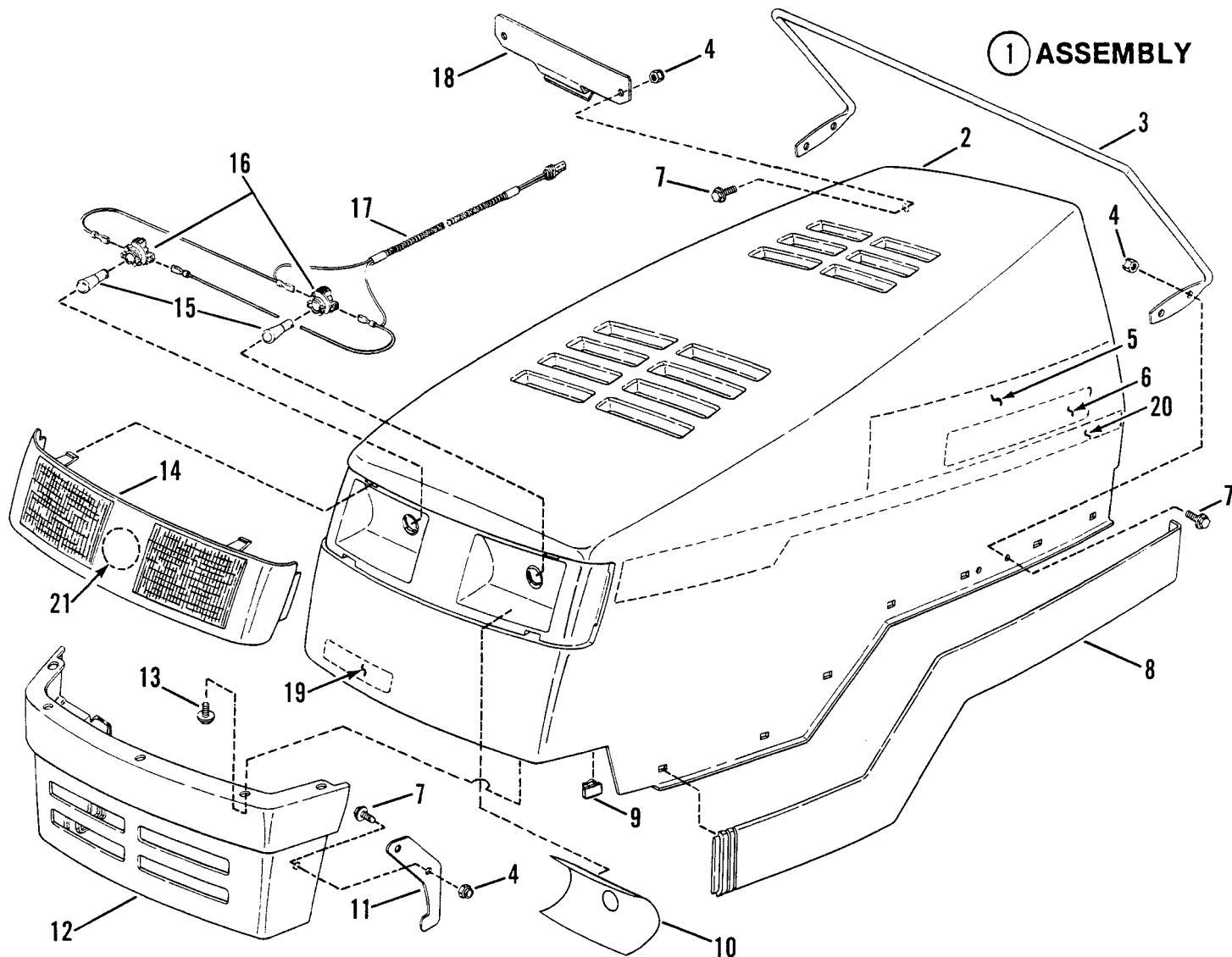
SNAPPER McDonough, GA., 30253 U.S.A.

CONTENTS

PAGE	GROUP
3	HOOD, BUMPER, HEADLAMPS
4, 5	TRANSMISSION GROUP
6, 7	DASH PANEL, FUEL TANK, BATTERY
8, 9	STEERING & FRONT AXLE PARTS
10, 11	SEAT, REAR FENDER
12, 13	CLUTCH, BRAKE, & TRANSMISSION CONTROLS
14, 15	ENGINE, ENGINE BASE, & DRIVE PARTS
16, 17	TRANSMISSION SUPPORT & COMPONENTS
18	IMPLEMENT LIFT PARTS
19	ELECTRICAL SYSTEM
20, 21	33" CUTTING DECK, BELTS, BRAKES
22, 23	41" CUTTING DECK
24	BELT, BLADE BRAKE, 41" DECK
25	BLADE ENGAGEMENT
26	WHEELS - FRONT
27	WHEELS - REAR

IT IS THE POLICY OF SNAPPER TO IMPROVE ITS PRODUCTS WHENEVER IT IS POSSIBLE AND PRACTICAL TO DO SO. WE RESERVE THE RIGHT TO MAKE CHANGES OR ADD IMPROVEMENTS AT ANY TIME WITHOUT INCURRING ANY OBLIGATION TO MAKE SUCH CHANGES ON PRODUCTS MANUFACTURED PREVIOUSLY.

HOOD, BUMPER, HEADLIGHTS

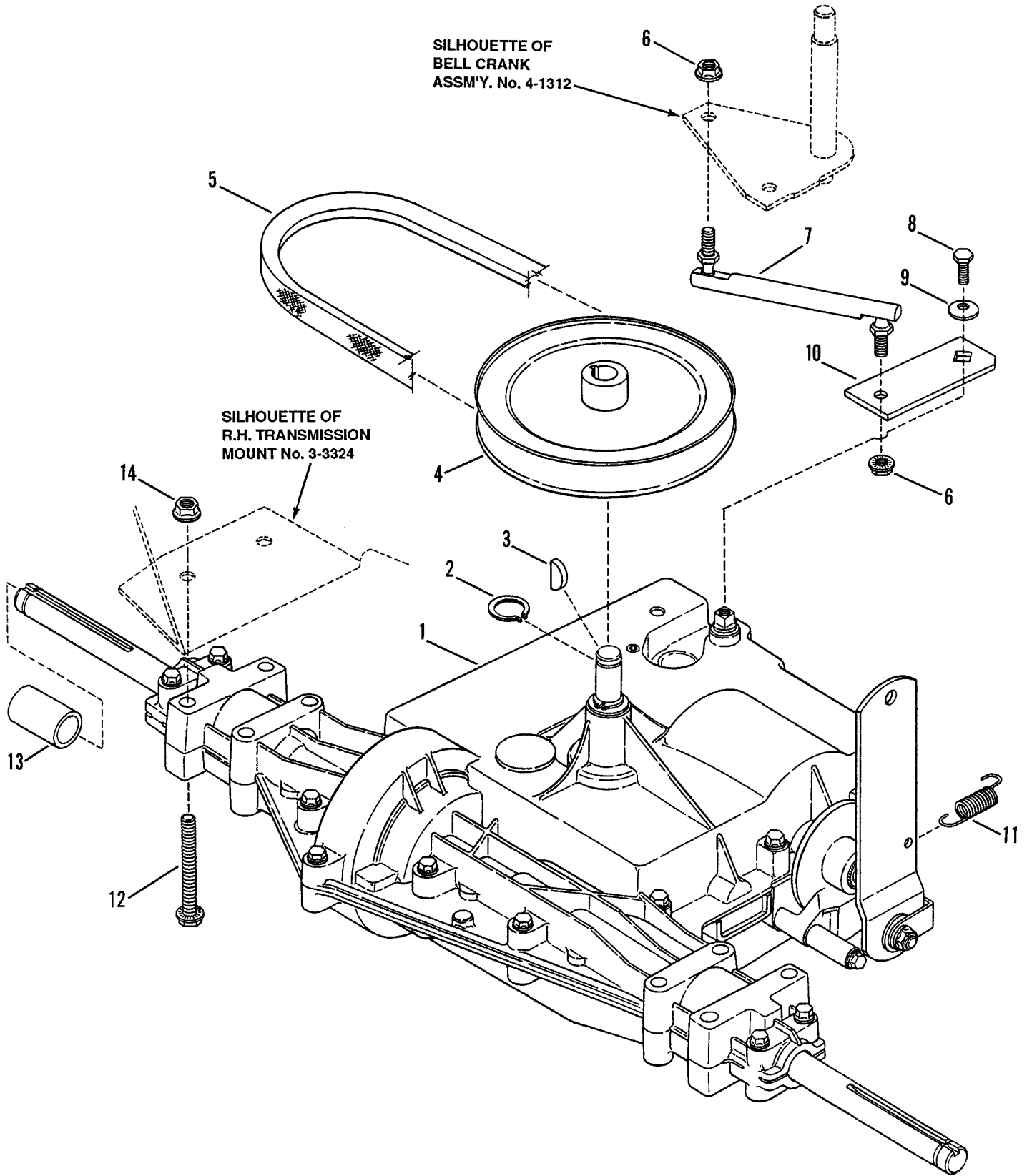


① ASSEMBLY

ITEM	PART NO.	DESCRIPTION
1	6-1383	KIT, Hood Assembly (Includes items 2 thru 18)
2	1-9411	HOOD
3	1-6766	ROD, Hood Latch
4	7-6978	NUT, 1/4-20 Hex Lock (10)
5	1-7787	HEAT SHIELD, Hood
6	1-6974	DECAL-SNAPPER, Molded Logo (2)
7	9-0999	SCREW, 1/4-20 x 5/8" Torx, Truss Head (10)
8	1-9412	BUMPER (R.H.)
-	1-9413	BUMPER (L.H. Shown)
9	1-2691	CLIP, Wiring Harness (2)
10	1-7174	DECAL, Reflect (R.H.)
-	1-7175	DECAL, Reflect (L.H. Shown)
11	3-3265	BRACKET, Latch Hook (2)
12	1-9414	BUMPER, Front
13	9-1106	SCREW, #12 x 1/2" (5)
14	2-4893	LENS

ITEM	PART NO.	DESCRIPTION
15	1-6756	BULB, Headlights (2)
16	1-6757	SOCKET, Headlight Bulb (2)
17	1-6765	HARNES, Headlight Wiring
18	1-7359	CLIP, Hood Latch
19	2-2967	DECAL - SNAPPER, Molded Logo (LT125G33 & LT125G41)
-	2-2969	DECAL - SNAPPER, Molded Logo (LT125G33)
20	2-2982	DECAL, 1350LX (R.H.) (LT125G33 & LT125G41)
-	2-2983	DECAL, 1350LX (L.H. Shown) (LT125G33 & LT125G41)
-	2-2984	DECAL, 1350RX (R.H.) (RLT125G33)
-	2-2985	DECAL, 1350RX (L.H. Shown) (RLT125G33)
21	2-2974	DECAL, Convertible (LT125G33)
-	2-2976	DECAL, Twin-Turbo (LT125G41)
-	2-2973	DECAL, Recycling (RLT125G33)

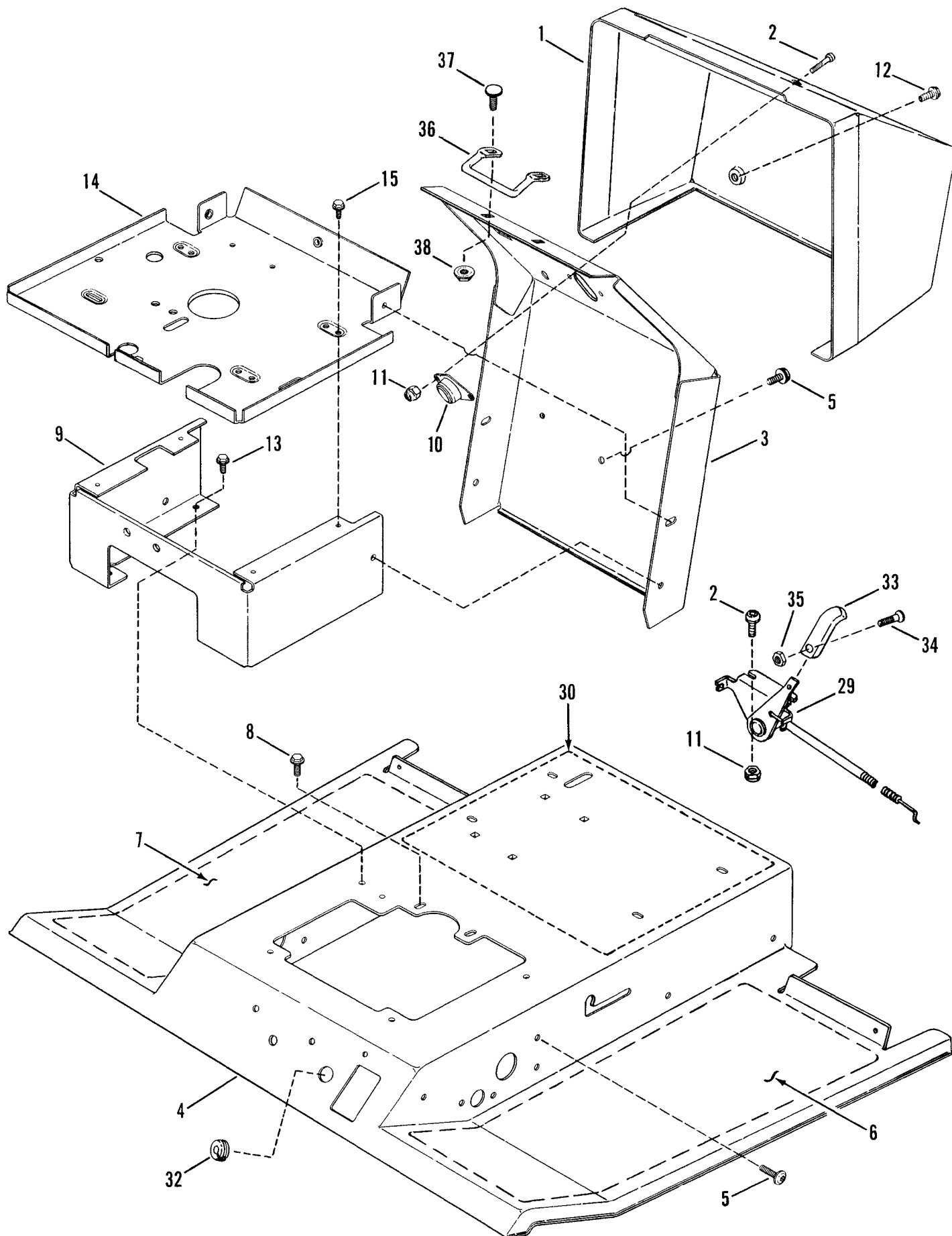
TRANSMISSION GROUP



TRANSMISSION GROUP

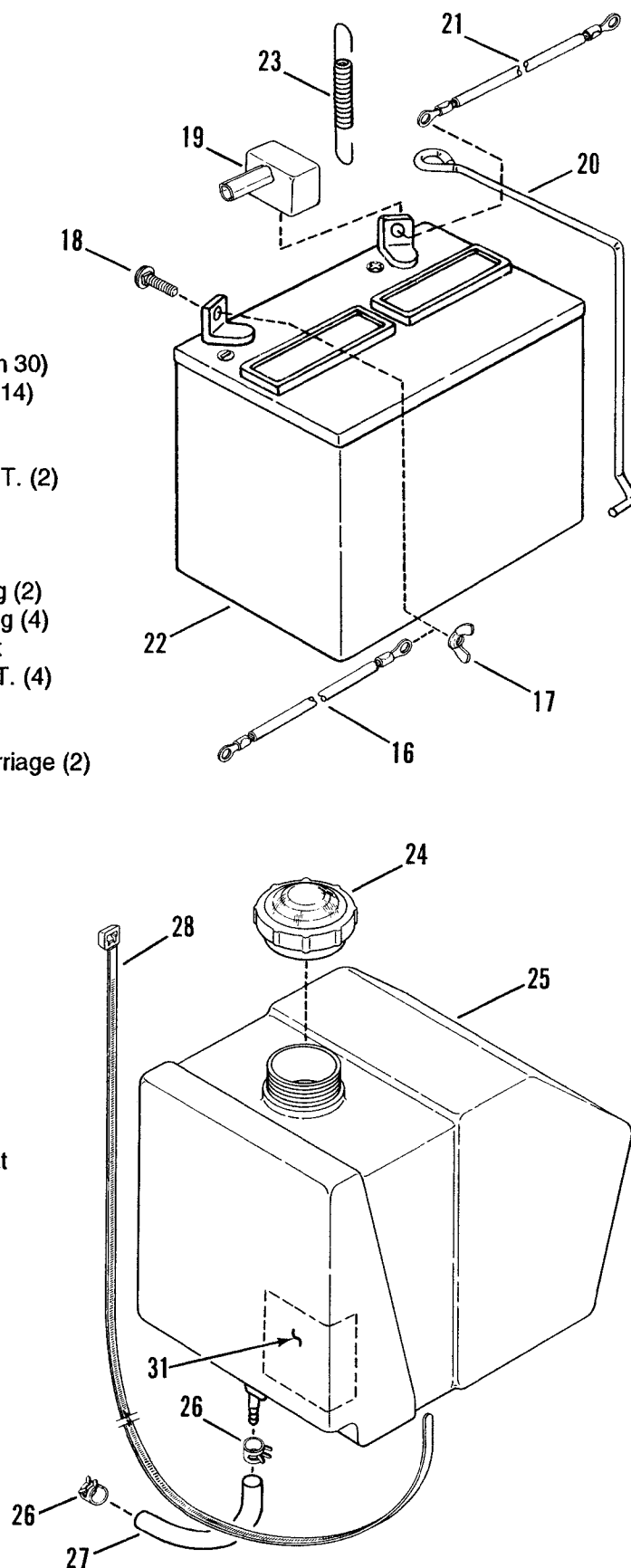
ITEM	PART NO.	DESCRIPTION
1	2-2434	TRANSAXLE ASSEMBLY (Peerless 930 - 6 seed)
2	1-2763	RING, Retaining
3	1-0211	KEY, Woodruff, 3/16 x 3/4" No. 9
4	2-2235	PULLEY, Input
5	2-2234	BELT, Drive HA109
6	1-0969	NUT, 5/16-24 Hex Flange Lock (2)
7	2-2949	SHIFT LINK LEVER
8	9-1165	BOLT, 1/4-28 x 5/8" Hex Head
9	9-0746	WASHER, Bellville
10	3-3331	ARM, Shift Link Lever
11	2-2437	SPRING, Brake Return
12	9-0702	BOLT, 5/16-18 x 2 1/4" Hex Flange Lock (4)
13	2-2221	SPACER, Wheel (2)
14	9-0585	NUT, 5/16-18 Hex Flange Lock (4)

DASH PANEL, FUEL TANK, BATTERY

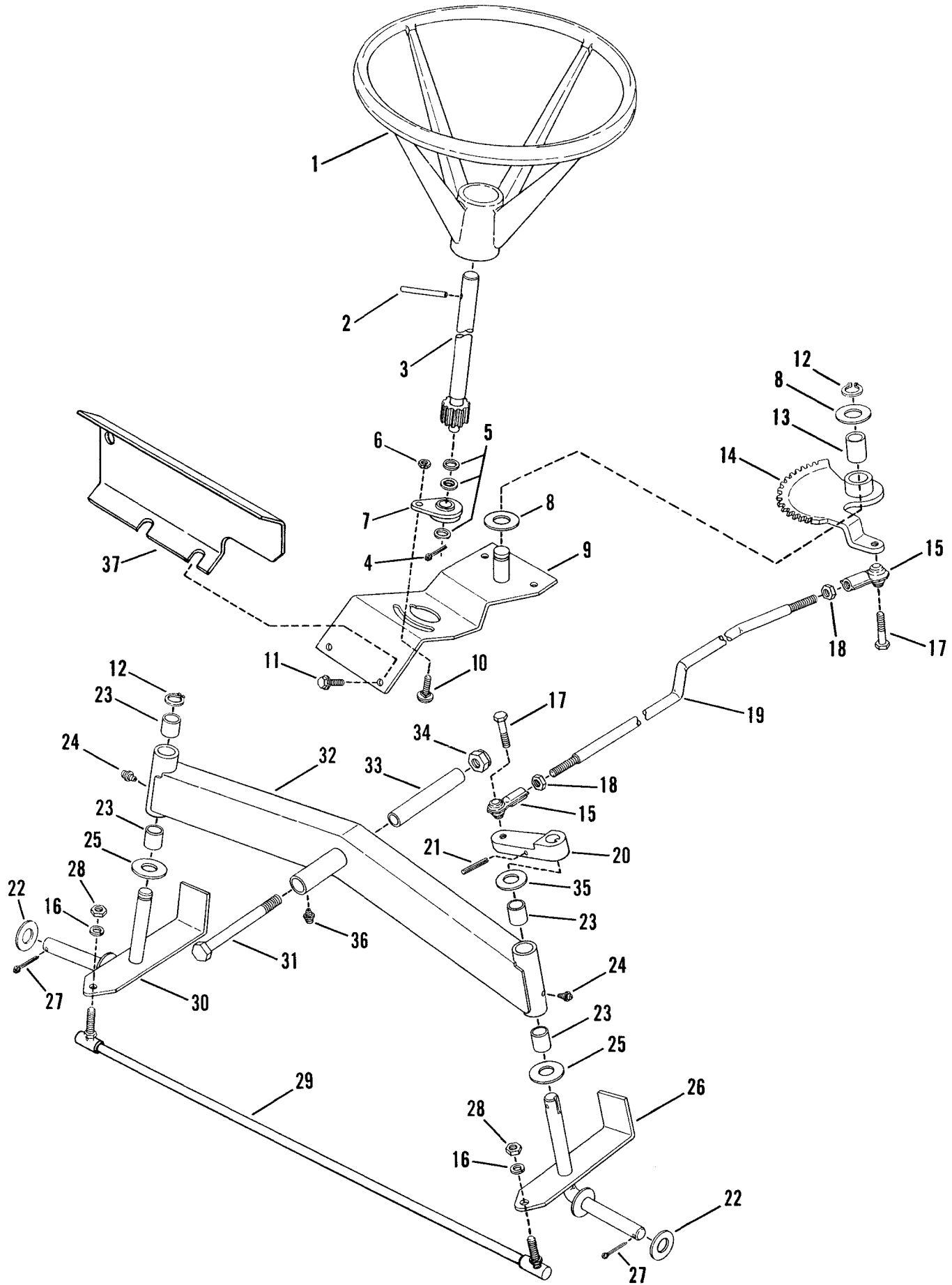


DASH PANEL, FUEL TANK, BATTERY

ITEM	PART NO.	DESCRIPTION
1	5-2713	PANEL, Dash
2	9-0996	SCREW, 1/4-20 x 1" Phillips (4)
3	4-0734	SUPPORT, Steering Shaft
4	5-1915	CHANNEL, Foot Rest (Includes item 30)
5	9-1001	SCREW, 5/16-18 x 5/8" Torx, S.T. (14)
6	1-9400	TREAD, Left Side (Non-Skid)
7	1-9399	TREAD, Right Side (Non-Skid)
8	9-0361	SCREW, 5/16-18 x 5/8" Hex Cap S.T. (2)
9	3-3073	MOUNT, Fuel Tank/Battery
10	2-3173	FLANGE ASSM'Y., Steering Shaft
11	7-6978	NUT, 1/4-20 Hex (4)
12	9-0853	SCREW, #10-24 x 1/2" Self-Tapping (2)
13	9-0858	SCREW, 5/16-18 x 1/2" Self-Tapping (4)
14	3-3078	PLATE, Fuel Tank & Battery Mount
15	9-0539	SCREW, 1/4-20 x 1/2" Hex Cap, S.T. (4)
16	1-4475	CABLE, Negative Terminal
17	9-0311	WING-NUT, 1/4-20 (2)
18	9-0074	BOLT, 1/4-20 x 3/4" Short Neck Carriage (2)
19	1-2444	COVER, Positive Terminal
20	2-2366	CLAMP, Battery
21	1-4476	CABLE, Positive Terminal
22	6-0618	KIT, Battery, 12 Volt
23	2-2696	SPRING, Battery Bracket
24	1-7808	CAP, Fuel Tank
25	5-2258	TANK, Fuel (Includes item 24)
26	1-2222	CLAMP, Fuel Line (2)
27	3-2633	LINE, Fuel (14.5" Long)
28	2-3195	CABLE-TIE, Fuel Tank Hold Down
29	1-6824	CONTROL, Throttle
30	1-7026	DECAL, Caution & Instruction
31	1-7788	HEAT SHIELD, Fuel Tank
32	1-4856	GROMMET, 5/16 I.D. x 1" O.D. Split
33	2-3655	HANDLE, Throttle Control
34	9-1017	SCREW, #8-32 x 3/8" Recessed, Fillister Head
35	9-1018	NUT, #8-32 Hex
36	1-7345	ROD, Hood Latch
37	9-0803	BOLT, 1/4-20 x 5/8" Flat Head Carriage (6)
38	9-0583	NUT, 1/4-20 Hex Flange Lock (6)



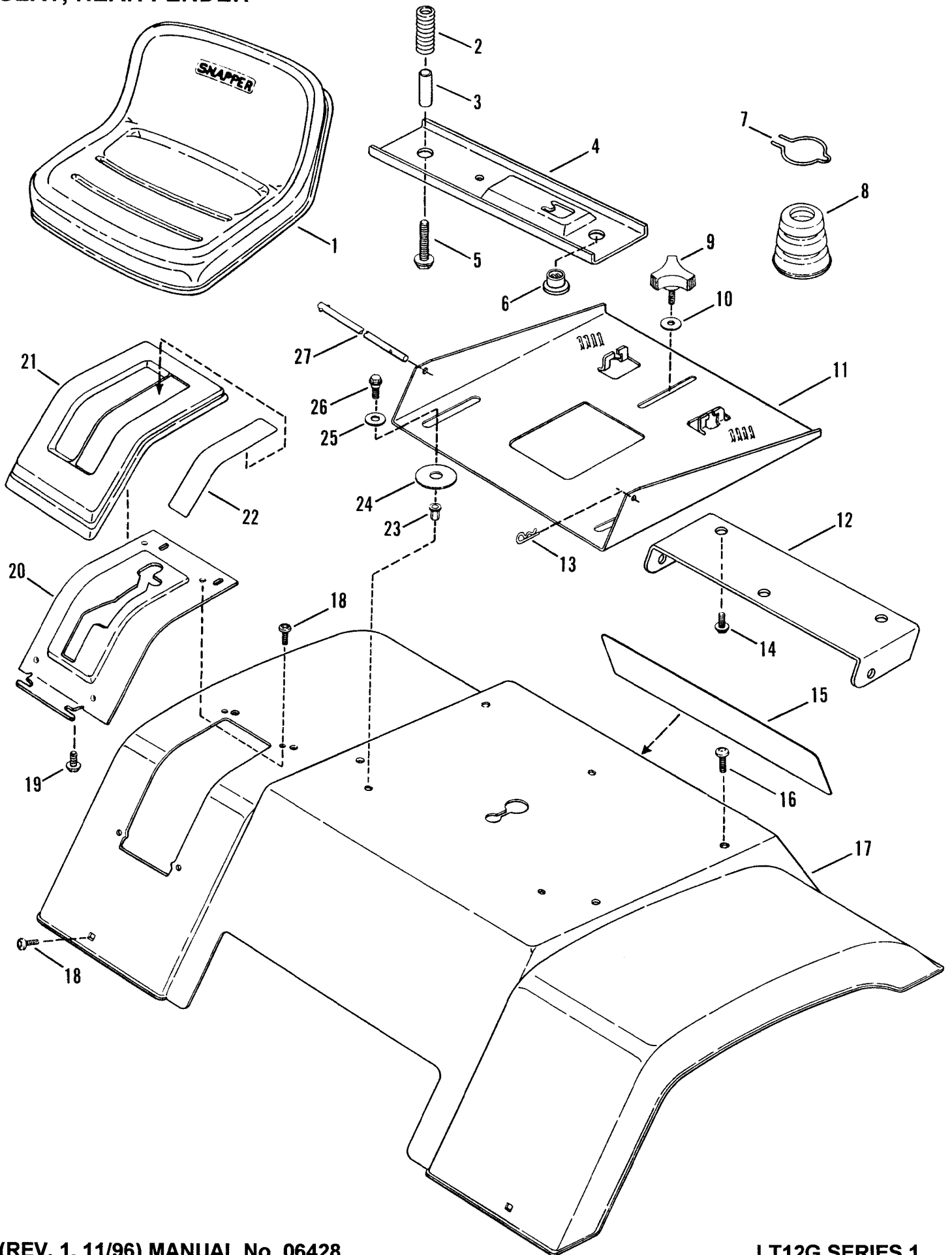
STEERING & FRONT AXLE PARTS



STEERING & FRONT AXLE PARTS

ITEM	PART NO.	DESCRIPTION
1	1-7040	STEERING WHEEL
2	1-2765	ROLL-PIN
3	4-0610	SHAFT, Steering
4	9-0038	PIN, Cotter 3/23 X 1"
5	1-4296	WASHER, Shim (3)
6	9-0583	NUT, 1/4-20 Hex Flange Lock
7	5-1751	ADJUSTER, Steering
8	1-1071	WASHER, Thrust (2)
9	4-7938	ASSEMBLY, Steering Support
10	9-0551	BOLT, 1/4-20 x 5/8" Short Neck Carriage
11	9-0361	SCREW, 5/16-18 x 5/8" Self-Tapping (4)
12	1-0746	RING, Retaining
13	1-5140	BEARING
14	5-1752	ASSEMBLY, Sector
15	2-3200	ROD-END, Drag Link (2)
16	9-0118	WASHER, 3/8 Split Lock (4)
17	9-0163	SCREW, 3/8-24 x 1 1/4" Hex Head Cap
18	9-0482	JAM-NUT, 3/8-24 Hex (4)
19	1-6062	DRAG-LINK
20	1-9034	ARM, Steering
21	9-0842	ROLL-PIN
22	3-2027	WASHER, Flat (3)
23	1-2706	BEARING, Sleeve (4)
24	1-3864	FITTING, Lube (2)
25	3-1036	WASHER, Thrust
26	4-0977	SPINDLE ASSEMBLY, L.H.
27	9-0364	COTTER-PIN (2)
28	9-0155	NUT, 3/8-24 Hex (2)
29	1-7608	TIE-ROD
30	4-0976	SPINDLE ASSEMBLY, R.H.
31	9-0993	SCREW, 1/2-20 x 4 1/2" Hex Head Cap
32	5-7536	ASSEMBLY, Front Axle (Includes four item 23, two item 24, one item 36)
33	2-2070	SPACER, Axle Pivot
34	9-0819	NUT, 1/2-20 Hex Lock
35	1-0935	WASHER
36	1-4871	FITTING, Lube
37	3-3264	HEAT SHIELD

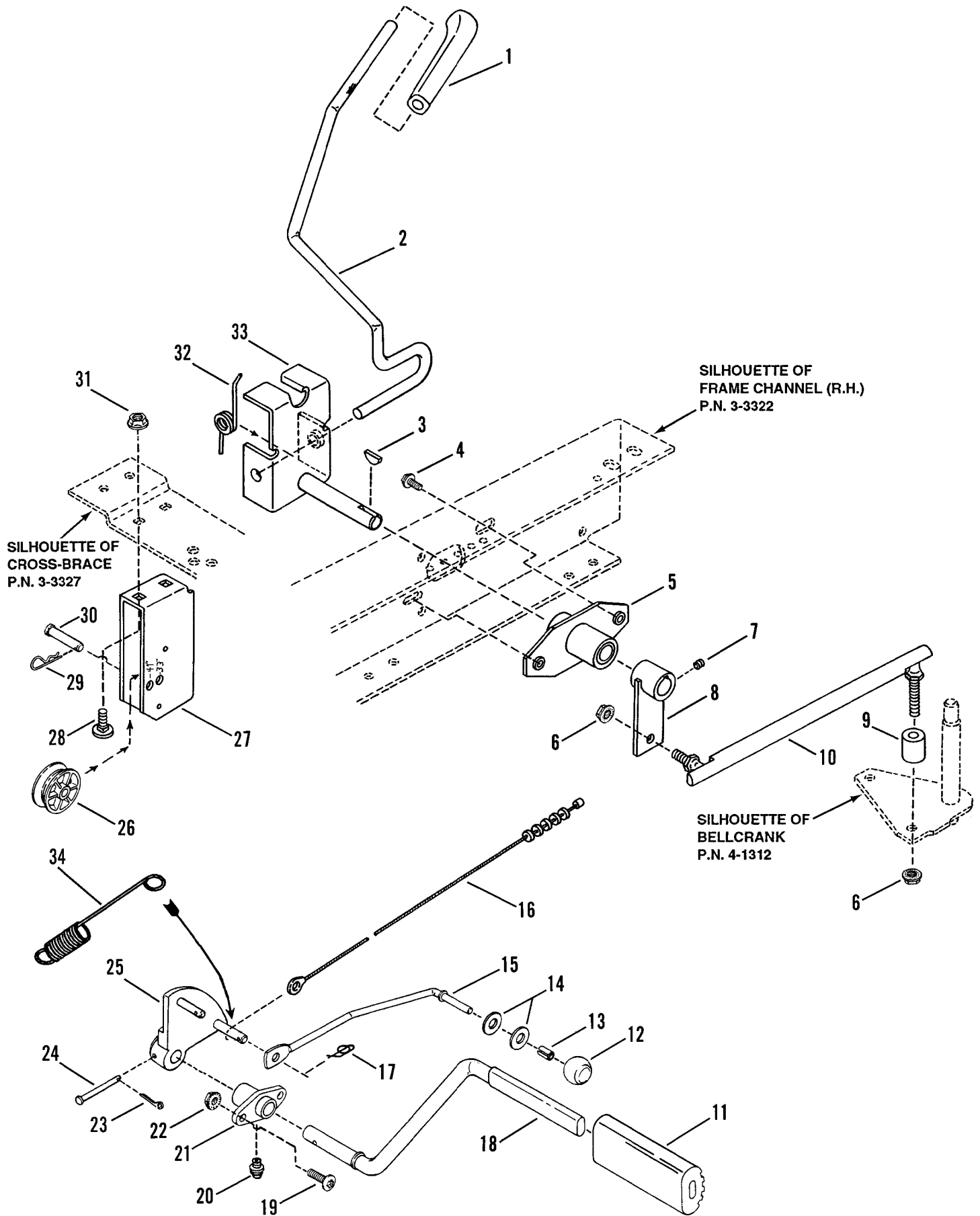
SEAT, REAR FENDER



SEAT, REAR FENDER

ITEM	PART NO.	DESCRIPTION
1	2-2543	SEAT, Operator's
2	2-2278	SPRING, Seat Switch (2)
3	2-2794	SPACER, Seat (2)
4	3-3362	HOLDER, Seat Switch
5	9-0586	BOLT, 5/16-18 x 2" Hex Flange Lock (2)
6	2-2793	BUSHING, Seat (2)
7	1-9348	CLIP, Seat Bumper (2)
8	1-9109	CUSHION, Seat (2)
9	2-3191	KNOB, Seat Adjustment
10	1-1763	WASHER
11	3-3360	SUPPORT, Seat
12	3-3361	BRACKET, Seat Support
13	1-2431	PIN, Hair
14	9-0721	BOLT, 5/16-18 x 1/2" Hex Flange Lock (3)
15	2-2970	DECAL, SNAPPER, 8" Molded Logo (Teal)
-	2-2972	DECAL, SNAPPER, 8" Molded Logo (Green)
16	9-1000	SCREW, 5/16-18 x 7/8" Torx Head, Self-Tapping (4)
17	3-3049	FENDER, Rear
18	9-0999	SCREW, 1/4-20 x 5/8" Torx Head, Self-Tapping (6)
19	9-1105	SCREW, #10-16 x 1/2" Self-Tapping (4)
20	3-3423	DETENT, Shift
21	1-9416	COVER, Shift Detent
22	2-2439	DECAL, Shift Cover
23	2-3193	RIV-NUT, 5/16-18 (3)
24	3-2692	SPACER (3)
25	2-3192	WASHER (2)
26	1-5761	SCREW, Shoulder, 5/16-18 x 3/4" (2)
27	1-9035	ROD, Seat Hinge

CLUTCH, BRAKE & TRANSMISSION CONTROLS

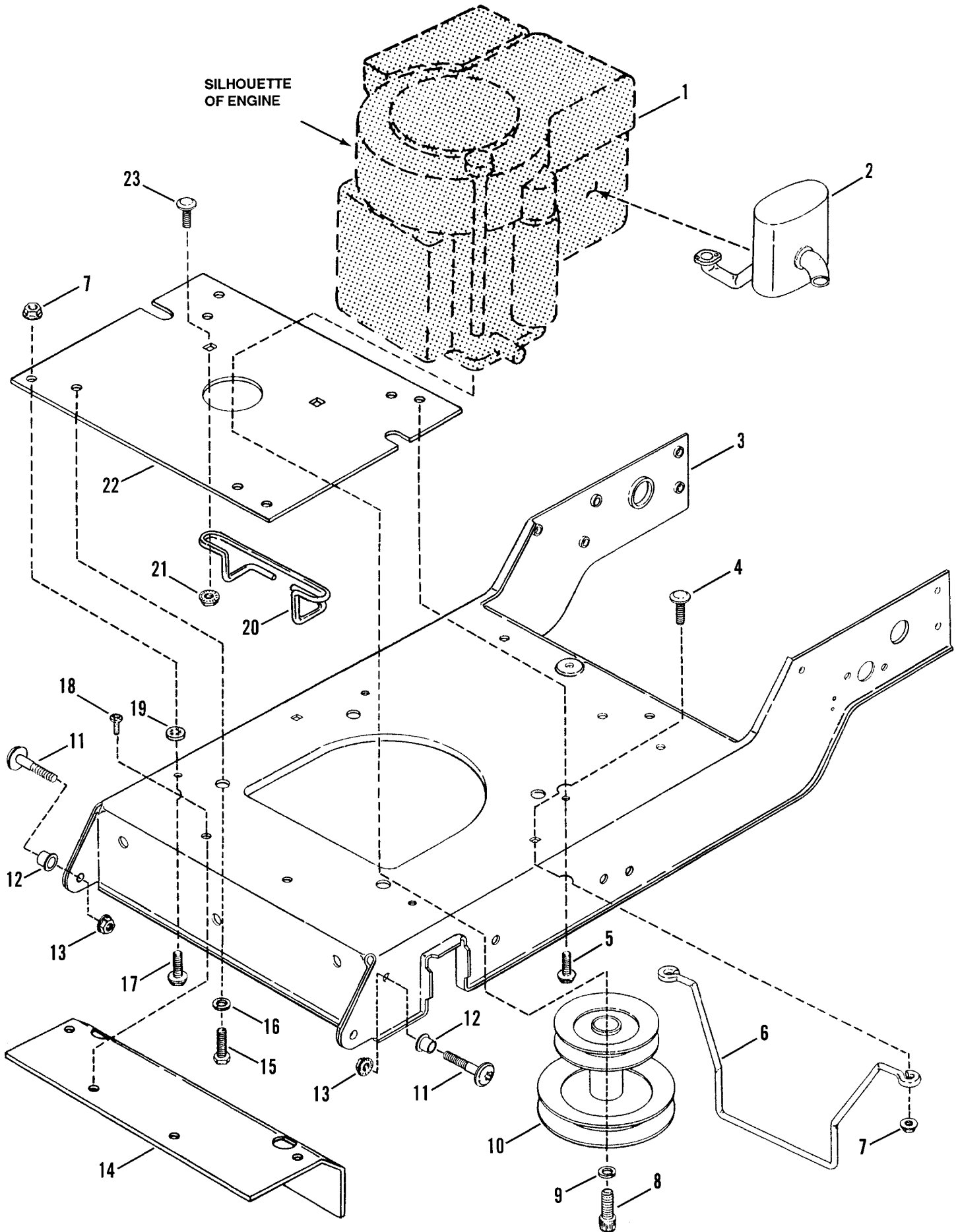


CLUTCH, BRAKE & TRANSMISSION CONTROLS

ITEM	PART NO.	DESCRIPTION
1	2-3656	KNOB, Shifter
2	2-2885	SHIFTER, Transmission
3	1-0211	KEY, Woodruff (No. 9)
4	9-0361	SCREW, 5/16-18 x 5/8" H.W. Self-Tapping (2)
5	5-2459	SHIFT PIVOT ASSM'Y. (Includes Bearing 1-4435 & Lube Fitting 1-4871)
6	1-0969	NUT, 5/16-24 Hex Flange Lock (2)
7	9-0201	SETSCREW, 5/16-18 x 5/16"
8	4-1304	LEVER, Shift
9	2-4114	SPACER, Shift Link
10	2-2950	SHIFT LINK, Bellcrank
11	1-2661	PAD, Pedal
12	2-3188	KNOB, Latch
13	2-3189	RING, Tolerance
14	2-3649	WASHER (2)
15	1-9033	LATCH, Clutch/Brake
16	1-5975	CABLE, Brake
17	2-4159	COTTER-PIN, 3/8 Self-Lock
18	1-7024	PEDAL, Clutch/Brake
19	9-1000	SCREW, 5/16-18 x 7/8" Torx (2)
20	1-4871	FITTING, Lube
21	5-2431	PIVOT, Clutch/Brake Pedal (Includes item 20)
22	9-0585	NUT, 5/16-18 Hex Lock (2)
23	9-0038	COTTER-PIN, 3/32 x 1"
24	2-3645	PIN, Clevis, 3/16 x 1 1/2"
25	4-1309	BRAKE ARM
26	2-3182	SPOOL, Bracket
27	3-3328	BRACKET, Spool
28	9-0803	BOLT, 1/4-20 x 5/8" Flat Head Short Neck Carriage
29	1-2431	PIN, Hair
30	1-2715	PIN, Clevis, 3/8 x 1 9/32"
31	9-0583	NUT, 1/4-20 Hex Flange Lock (2)
32	2-2435	SPRING, Shifter
33	4-1143	CHANNEL, Shifter
34	2-4005	SPRING, Clutch

ENGINE, ENGINE BASE & DRIVE PARTS

SILHOUETTE
OF ENGINE

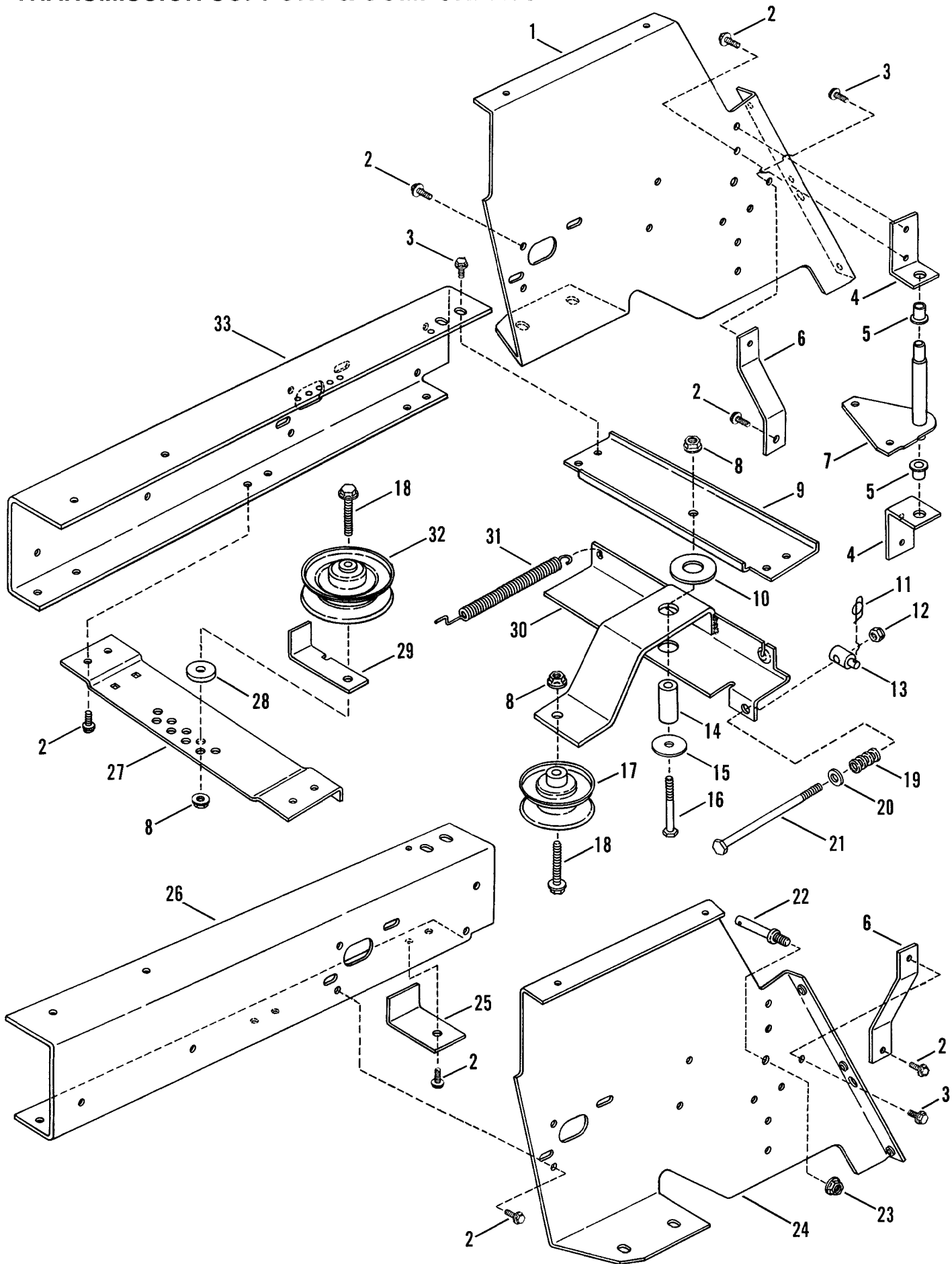


ENGINE, ENGINE BASE & DRIVE PARTS

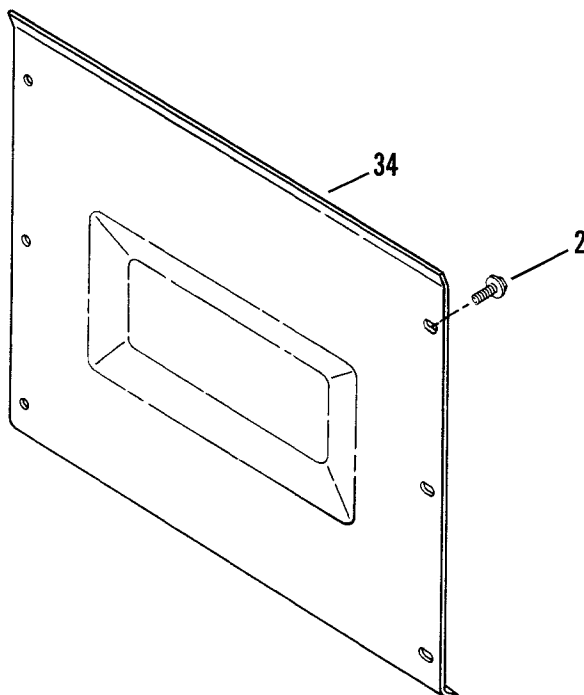
ITEM	PART NO.	DESCRIPTION
1	*	ENGINE, Kohler Model CV14S, Spec. PA1431
2	1-7313	MUFFLER, Exhaust
3	3-3145	BASE, Engine
4	9-0788	BOLT, 5/16-18 x 3/4" Short Neck Carriage (2)
5	9-0595	BOLT, 5/16-18 x 3/4" Hex Flange Lock (2)
6	1-9042	GUIDE, Belt
7	9-0585	NUT, 5/16-18 Hex Flange Lock (6)
8	9-0836	SCREW, 7/16-20 Socket, Hex Head Cap
9	9-0247	WASHER, 7/16 Split Lock
10	2-2233	DRIVE PULLEY ASSEMBLY, Engine
11	2-3198	SCREW, Shoulder, 3/8-16 x 1 5/8" (2)
12	1-2306	BUSHING (2)
13	9-0613	NUT, 3/8-16 Hex Flange Lock (2)
14	3-3100	AXLE SUPPORT
15	7-7692	BOLT, M8-1.25 x 25MM Hex Head (4)
16	9-0187	WASHER, 5/16 Split Lock (4)
17	9-0661	BOLT, 5/16-18 x 1" Hex Flange Lock (2)
18	9-1001	SCREW, 5/16-18 x 5/8" Truss Head Torx (2)
19	1-1791	RETAINER (3)
20	2-2239	GUIDE, Belt
21	9-0583	NUT, 1/4-20 Hex Flange Lock (2)
22	3-3424	SPACER, Kohler Engine
23	9-0666	BOLT, 1/4-20 x 5/8" Short Neck Carriage (2)

***PURCHASE ENGINE PARTS,
OTHER THAN THOSE LISTED,
FROM ENGINE SERVICE OUTLETS.**

TRANSMISSION SUPPORT & COMPONENTS

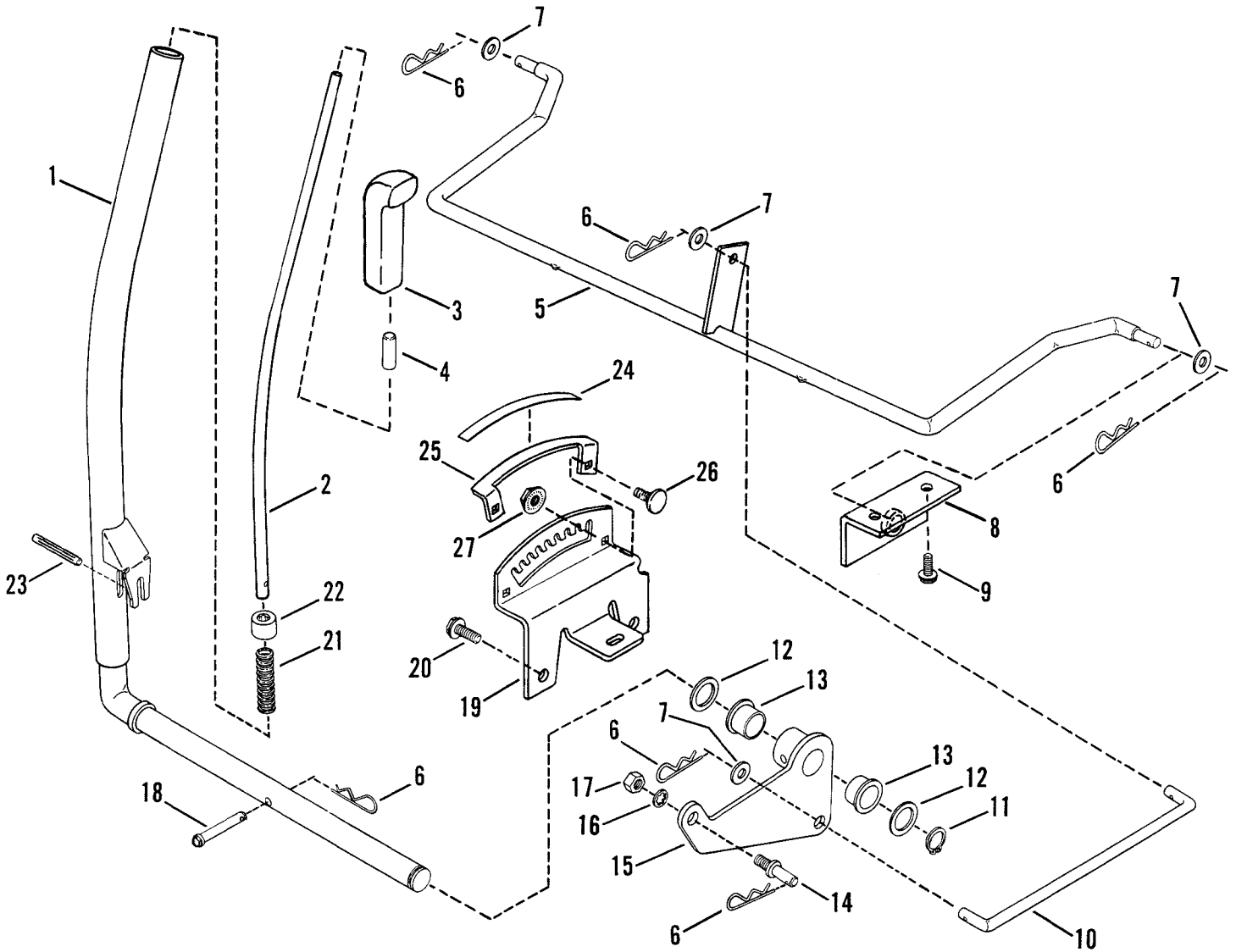


TRANSMISSION SUPPORT & COMPONENTS



ITEM	PART NO.	DESCRIPTION
1	3-3324	MOUNT, Transmission (R.H.)
2	9-0361	SCREW, 5/16-18 x 5/8" H.W. Self-Tapping (22)
3	9-0858	SCREW, 5/16-18 x 1/2" H.W. Self-Tapping (6)
4	3-3591	BRACKET, Bell Crank (2)
5	1-1016	BEARING (2)
6	3-3325	BRACKET, Torque (2)
7	4-1312	BELL CRANK ASSEMBLY
8	9-0613	NUT, 3/8-16 Hex Flange Lock (3)
9	3-3346	CROSS BRACE, Upper
10	2-4102	WASHER
11	2-4159	COTTER-PIN, 3/8 Self-Lock
12	9-0717	NUT, 5/16-18 Hex Lock
13	2-4253	PIN, Brake
14	2-2224	SPACER
15	3-2255	WASHER, Thrust
16	9-0629	BOLT, 3/8-16 x 2 1/4" Hex Head
17	1-7748	PULLEY, Idler
18	9-0701	BOLT, 3/8-16 x 1 3/4" Hex Flange Lock (2)
19	1-7416	SPRING
20	9-0692	WASHER, 5/16 Flat
21	2-4256	BOLT, 5/16-18 x 5" Hex Head
22	1-2111	STUD, Idler
23	9-0962	NUT, 3/8-24 Hex Flange Lock
24	3-3323	MOUNT, Transmission (L.H.)
25	3-3326	GUIDE, Belt
26	3-3321	FRAME CHANNEL (L.H.)
27	3-3327	CROSS-BRACE, Lower
28	1-6360	WASHER
29	3-2368	GUIDE, Belt
30	4-1313	IDLER ARM ASSEMBLY
31	2-2225	SPRING, Idler
32	1-1029	PULLEY, Idler
33	3-3322	FRAME CHANNEL (R.H.)
34	3-6252	COVER, Rear

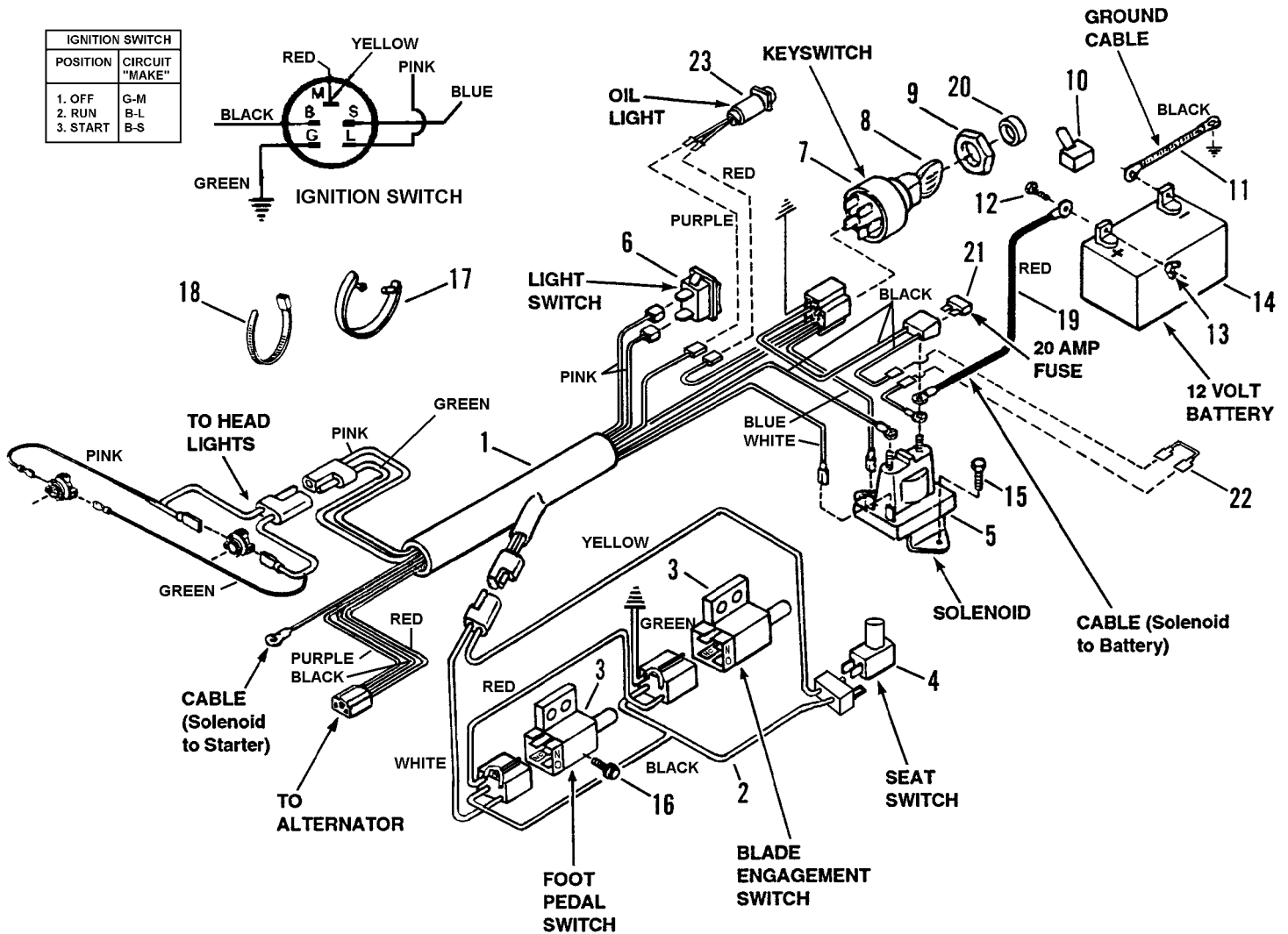
IMPLEMENT LIFT PARTS



ITEM	PART NO.	DESCRIPTION
1	4-0698	ARM, Implement Lift Lever
2	3-3047	ROD, Lift Lever
3	1-9363	GRIP, Lift Lever
4	1-4361	CAP, Lift Release
5	4-7967	ARM, Rear Lift
6	1-5067	PIN, Hair, 3/32 x 1 1/2" (5)
7	9-0122	WASHER, 3/8 SAE Flat (4)
8	3-3419	BRACKET, Hanger (2)
9	9-0361	SCREW, 5/16-18 x 5/8" H.W.H.S.T. (4)
10	2-3171	LIFT-ROD
11	1-5020	RING, Retaining
12	1-4354	WASHER, Lift Lever (2)
13	2-3197	BEARING, Lift Lever (2)

ITEM	PART NO.	DESCRIPTION
14	1-5464	STUD
15	4-7933	PIVOT ASSEMBLY, Lift Lever
16	9-0390	WASHER, 3/8 Int. Tooth Lock
17	9-0155	NUT, 3/8-24 Hex
18	1-2407	PIN, Clevis, 5/16 x 1 11/16"
19	3-3046	QUADRANT, Lift Lever
20	9-1001	SCREW, 5/16-18 x 5/8" Self-Tapping (3)
21	1-4432	SPRING, Lift Lever
22	1-5019	PLUG, Lift Lever
23	9-0881	GROOVE-PIN, 3/16 x 2"
24	1-7445	DECAL, Cut Height
25	3-3176	INDICATOR, Cut Height
26	9-0803	BOLT, 1/4-20 x 5/8" Flt. Hd. Carr. (2)
27	9-0583	NUT, 1/4-20 Hex Flg. Lock (2)

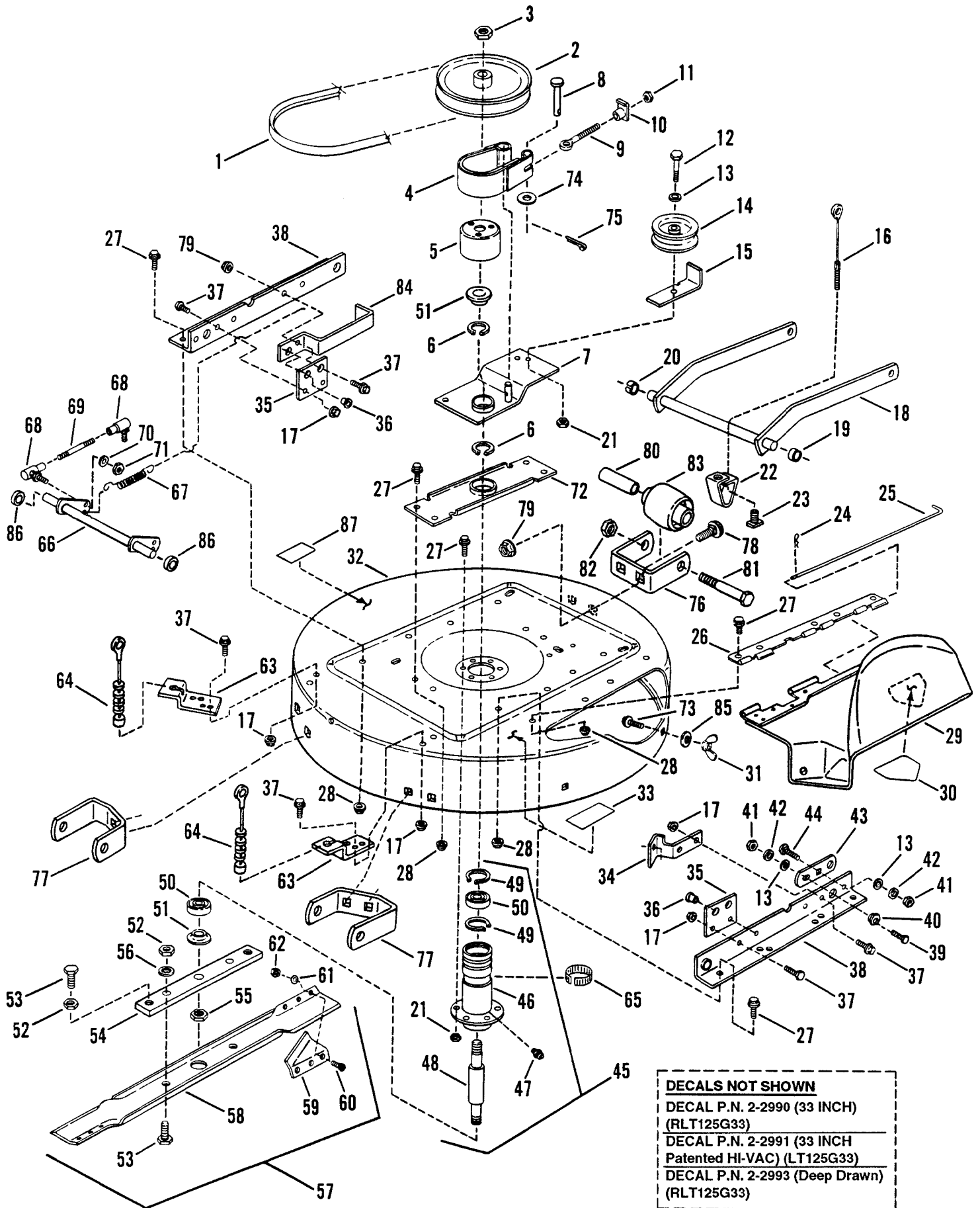
ELECTRICAL SYSTEM



ITEM	PART NO.	DESCRIPTION
1	2-2699	HARNESS, Wiring (Kohler Engine)
2	2-4126	HARNESS, Interlock
3	2-3355	SWITCH, Clutch & PTO (2) NC/NO
4	1-7590	SWITCH, Seat NC
5	1-8604	SOLENOID
6	2-3187	SWITCH, Light
7	1-8562	SWITCH, Key (Includes 2 item 8)
8	2-3504	KEY (2)
9	2-3505	NUT, 5/8-32 Hex
10	1-2444	COVER, Positive Terminal
11	1-4475	CABLE, Negative 15"
12	9-0074	BOLT, 1/4-20 x 3/4" Carriage (2)

ITEM	PART NO.	DESCRIPTION
13	9-0311	WING-NUT, 1/4-20 (2)
14	6-0618	KIT, Battery
15	9-0539	SCREW, 1/4-20 x 1/2" Self-Tapping
16	9-0307	SCREW, #10-24 x 1/2" Self-Tapping
17	1-4451	TIE, Wire
18	1-2080	TIE, Cable 7"
19	1-4476	CABLE, Positive 11"
20	2-3506	BEZEL
21	2-3653	FUSE, 20 Amp
22	2-4103	CONNECTOR 4"
23	2-2791	OIL LIGHT

33" CUTTING DECK, BELTS, BRAKES

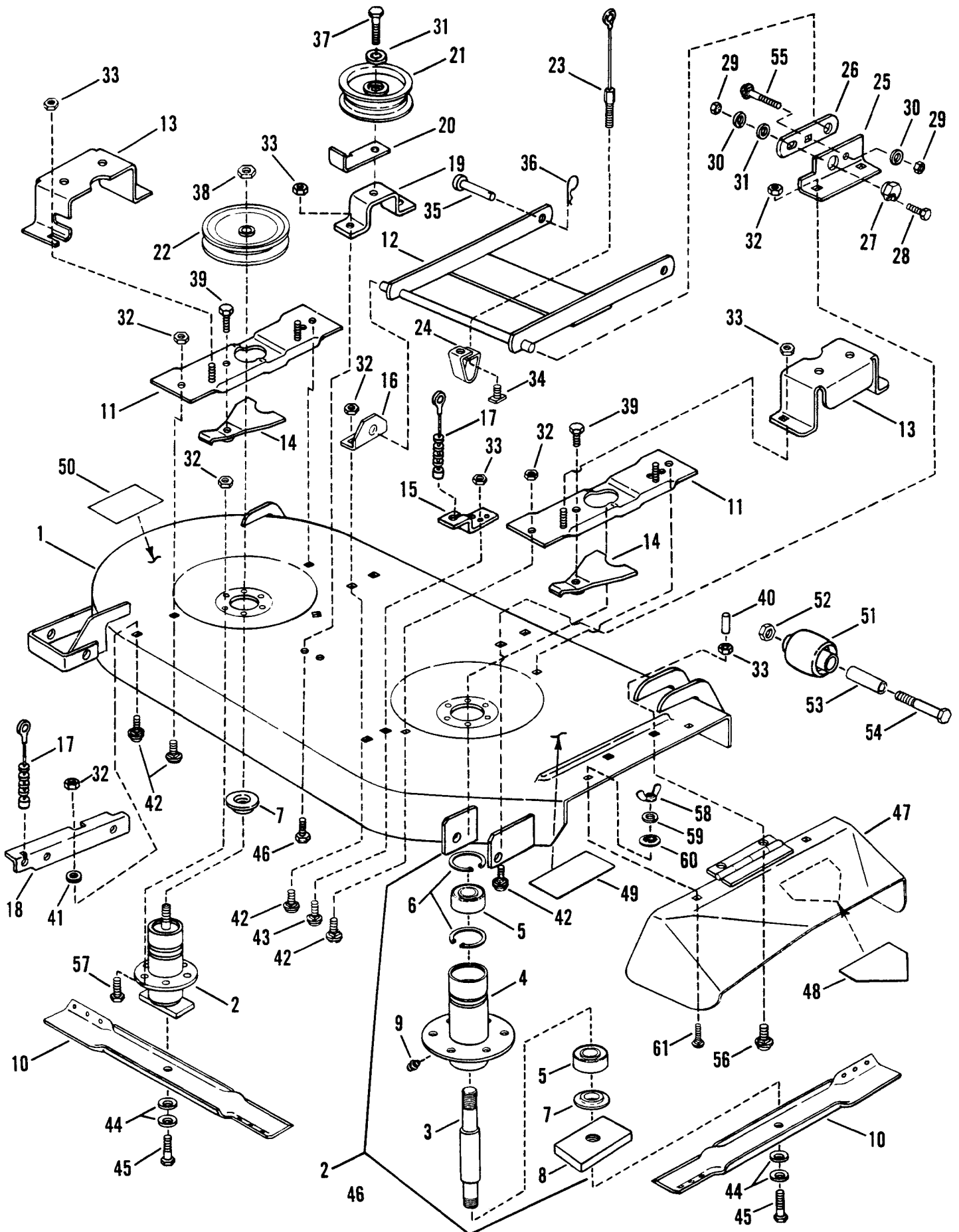


DECALS NOT SHOWN
 DECAL P.N. 2-2990 (33 INCH)
 (RLT125G33)
 DECAL P.N. 2-2991 (33 INCH
 Patented HI-VAC) (LT125G33)
 DECAL P.N. 2-2993 (Deep Drawn)
 (RLT125G33)

33" CUTTING DECK, BELTS, BRAKES

ITEM	PART NO.	DESCRIPTION	ITEM	PART NO.	DESCRIPTION
1	2-3710	BELT, 33" Drive A59 Kevlar	46	5-2294	HOUSING, Spindle (Includes item 47)
2	1-8581	PULLEY, 8" O.D.	47	1-0817	FITTING, Lube
3	1-0027	NUT, 3/4-16 Hex Jam	48	2-7711	SPINDLE, 33" Mower Deck 8.26"
4	5-7307	BAND, Brake	49	1-2491	RING, Retaining (2)
5	3-2169	DRUM, Brake	50	1-3313	BEARING, Spindle (2)
6	1-0740	RING, Retaining (2)	51	1-4407	WASHER, Spindle (2)
7	4-7961	ARM, Idler	52	9-0559	NUT, 1/4-20 Hex Jam (4) (2 in assembly)
8	1-4304	PIN, 1/4 x 1 1/4" Clevis	53	9-0392	SCREW, 1/2-20 Hex Head Cap (4) (2 in assembly)
9	1-4302	BOLT, 1/4-20 Eye	54	3-7751	HOLDER, Blade
10	1-4303	NUT, 1/4-20 Tee	55	9-0356	NUT, 5/8-18 Hex Lock
11	9-0063	NUT, 1/4-20 Hex	56	9-0509	WASHER, 1/2 Int. Tooth Lock (2)
12	9-0164	SCREW, 3/8-24 x 1 1/2" Hex Head Cap	57	5-7482	ASSEMBLY, Blade & Air Lift (Includes items 58 thru 62)
13	9-0122	WASHER, 3/8 SAE (3)	58	1-9523	BLADE, 33" Mower Deck
14	1-8574	PULLEY, Idler, 4.12 O.D.	-	1-6982	BLADE, 33" Mower Deck (Recycling) (Not Included With This Assembly)
15	3-2368	GUIDE, Belt	59	3-7723	AIR-LIFT (2)
16	2-3180	CABLE, Front Lift	60	9-0228	SCREW, 5/16-24 x 11/16" Machine (6)
17	9-0585	NUT, 5/16-18 Hex Flange Lock (10)	61	9-0391	WASHER, 5/16 Internal Tooth Lock (2)
18	4-7959	LIFT, Front Arm	62	9-0223	NUT, 5/16-24 Hex (6)
19	1-2067	RING, Red (Right Side)	63	3-3115	BRACKET, Rear Lift (2)
20	1-0996	RING, White (Left Side)	64	1-6844	CABLE, Support (2)
21	9-0289	NUT, 3/8-24 Hex Lock (7)	65	1-2670	RING, Tolerance
22	3-8043	BRACKET, Front Lift Hanger	66	4-7960	CROSS-SHAFT
23	9-0388	T-NUT, 5/16-18	67	1-6153	SPRING
24	1-5067	PIN, Hair	68	1-5753	BALL-JOINT (2)
25	3-1914	PIN, Hinge	69	2-3687	LINK, Ball Joint
26	3-9586	HINGE, Deflector	70	9-0053	WASHER, 1/4 Int. Tooth Lock (2)
27	9-0612	BOLT, 3/8-16 x 3/4" Hex Flange Lock (14)	71	9-0095	NUT, 1/4-28 Hex (2)
28	9-0613	NUT, 3/8-16 Hex Flange Lock (14)	72	3-8018	BRACE, Spindle
29	5-1978	ASSEMBLY, Deflector (Includes item 30)	73	9-0001	BOLT, 5/16-18 x 3/4" Short Neck Carriage
30	1-3010	DECAL, Danger (Cut Finger)	74	9-0055	WASHER
31	9-0492	WING-NUT, 5/16-18	75	9-0037	COTTER-PIN, 3/32 x 3/4"
32	5-1917	DECK, Cutting, 33" (Includes items 33 & 87)	76	3-8451	BRACKET, Gage Wheel (Front)
33	1-4852	DECAL, Caution (Deflector)	77	3-8450	BRACKET, Gage Wheel (Rear) (2)
34	3-8455	ANCHOR, Brake	78	9-0004	BOLT, 5/16-18 x 1/2" Short Neck Carriage (6)
35	3-2803	BRACKET, Cross-Shaft (2)	79	9-0585	NUT, 5/16-18 Hex Flange Lock (7)
36	1-1016	BEARING, Cross-Shaft Bracket (2)	80	1-5272	SPACER (3)
37	9-0721	BOLT, 5/16-18 x 1/2" Hex Flange Lock (10)	81	9-0859	SCREW, 3/8-24 x 3 3/4" Hex Head Cap (3)
38	3-8453	RAIL, Side (2)	82	9-0289	NUT, 3/8-24 Hex Lock (3)
39	9-0563	SCREW, 3/8-16 x 1" Hex Head Cap	83	1-9190	WHEEL, Gage (3)
40	1-5012	ECCENTRIC, Leveling	84	3-3352	GUIDE, Belt
41	9-0130	NUT, 3/8-16 Hex (2)	85	9-0188	WASHER, 5/16 Flat (2)
42	9-0118	WASHER, 3/8 Split Lock (2)	86	2-0908	SPACER (2)
43	3-2432	LINK, Adjustment	87	1-6973	DECAL, Caution (Rotating Blades)
44	9-0850	BOLT, 3/8-16 x 3/4" Carriage			
45	5-9784	ASSEMBLY, Spindle (Includes items 46 thru 55)			

41" CUTTING DECK (BELT, BLADE BRAKE SHOWN ON PAGE 24)



41" CUTTING DECK (BELT, BLADE BRAKE SHOWN ON PAGE 24)

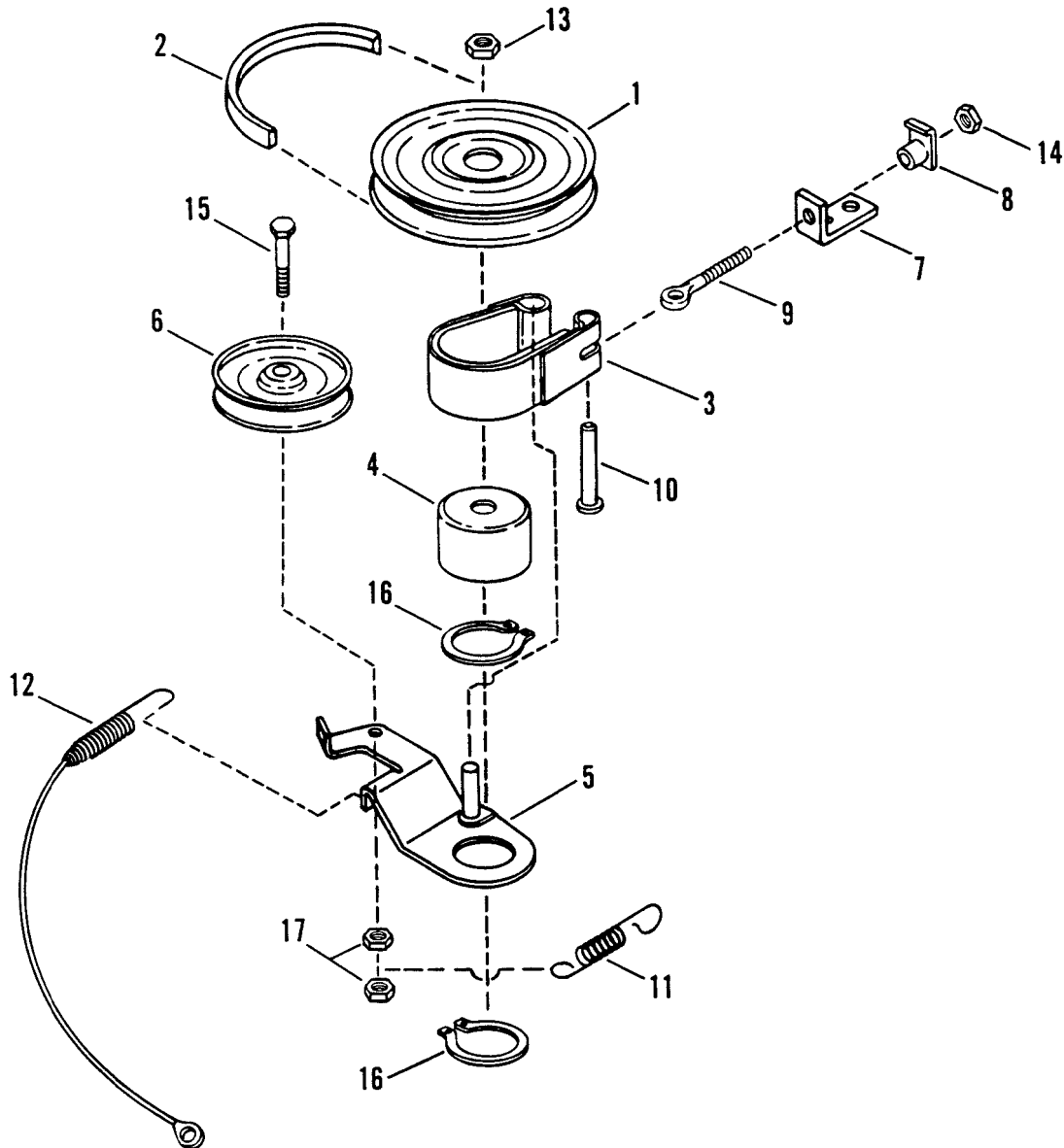
ITEM	PART NO.	DESCRIPTION
1	5-1916	DECK, Mower, 41" (Includes items 49 & 50)
2	5-1914	ASSEMBLY, Spindle (Includes items 3 thru 9)
3	2-7668	SPINDLE 6.5"
4	5-1918	HOUSING, Spindle (Includes item 9)
5	1-3313	BEARING, Spindle (2)
6	1-2491	RING, Retaining (2)
7	1-4407	WASHER, Spindle (2)
8	3-2294	HOLDER, Blade
9	1-0817	FITTING, Lube
10	1-9795	BLADE, 21" Cutter (2)
11	5-2487	ASSEMBLY, Rear Support (2)
12	4-9762	ASSEMBLY, Front Hanger
13	3-3367	GUARD, Pulley
14	5-1747	ASSEMBLY, Spindle Lock (2)
15	3-3083	ASSEMBLY, Chain Support
16	3-2297	BRACKET, Front Left Hanger
17	1-6844	CABLE, Support (2) 4.25", 8 Spacers
18	3-3086	ASSEMBLY, Rear Support
19	5-1748	BRACKET, Idler Mount
20	3-2368	GUIDE, Belt
21	1-8574	PULLEY, Idler (2)
22	1-5724	PULLEY, Spindle (2)
23	2-3180	CABLE, Front Lift 6.12"
24	3-8043	BRACKET, Front Lift Arm Hanger
25	3-8382	BRACKET, Front Right
26	3-2432	LINK, Adjustment
27	1-5012	RING, Adjustment
28	9-0563	SCREW, 3/8-16 x 1" Hex Head Cap
29	9-0130	NUT, 3/8-16 Hex (2)
30	9-0118	WASHER, 3/8" Split Lock (2)
31	9-0122	WASHER, 3/8 Flat
32	9-0613	NUT, 3/8-16 Hex Flange Lock (22)
33	9-0585	NUT, 5/16-18 Hex Flange Lock (9)
34	9-0388	T-NUT, 5/16-18
35	1-2951	PIN, 1/2 x 1 3/8" Clevis
36	1-3844	HAIRPIN, Cotter
37	9-0655	SCREW, 3/8-16 x 1 1/2" Hex Cap
38	1-0027	NUT, 3/4-16 Hex Jam (2)
39	9-0582	BOLT, 3/8-16 x 1" Hex Flange Lock (2)
40	2-3606	CAP, Vinyl (2)
41	9-0600	WASHER, 7/16 Flat
42	9-0850	BOLT, 3/8-16 x 3/4" Carriage (9)
43	9-0788	BOLT, 5/16-18 x 3/4" Carriage (2)
44	1-2063	WASHER, 13/32 x 1 13/32" Dia., Cone (4)
45	9-0824	SCREW, 3/8-24 x 1 1/4" Hex Cap (2)
46	9-0595	BOLT, 5/16-18 x 3/4" Hex Flange Lock
47	5-1401	DEFLECTOR, Side Chute (Includes item 48)
48	1-3010	DECAL, Danger
49	1-4852	DECAL, Caution (Deflector in Place)
50	1-6973	DECAL, Caution (Rotating Blades)
51	1-9190	WHEEL, Gage (4)
52	9-0289	LOCKNUT, 3/8-24 Hex (4)
53	1-5272	SPACER (4)
54	9-0859	SCREW, 3/8-24 x 3 3/4" Hex Head Cap (4)
55	9-0850	BOLT, 3/8-16 x 3/4" Short Neck Carriage
56	9-0383	BOLT, 5/16-18 x 1" Short Neck Carriage (2)
57	9-0612	BOLT, 3/8-16 x 3/4" Hex Flange Lock (12)
58	9-0375	WING-NUT, 5/16-18 (2)
59	9-0187	WASHER, 5/16 Split Lock (2)
60	1-1791	RETAINER, 5/16 Bolt
61	9-0799	BOLT, 5/16-18 x 5/8" Carriage (2)

DECALS NOT SHOWN

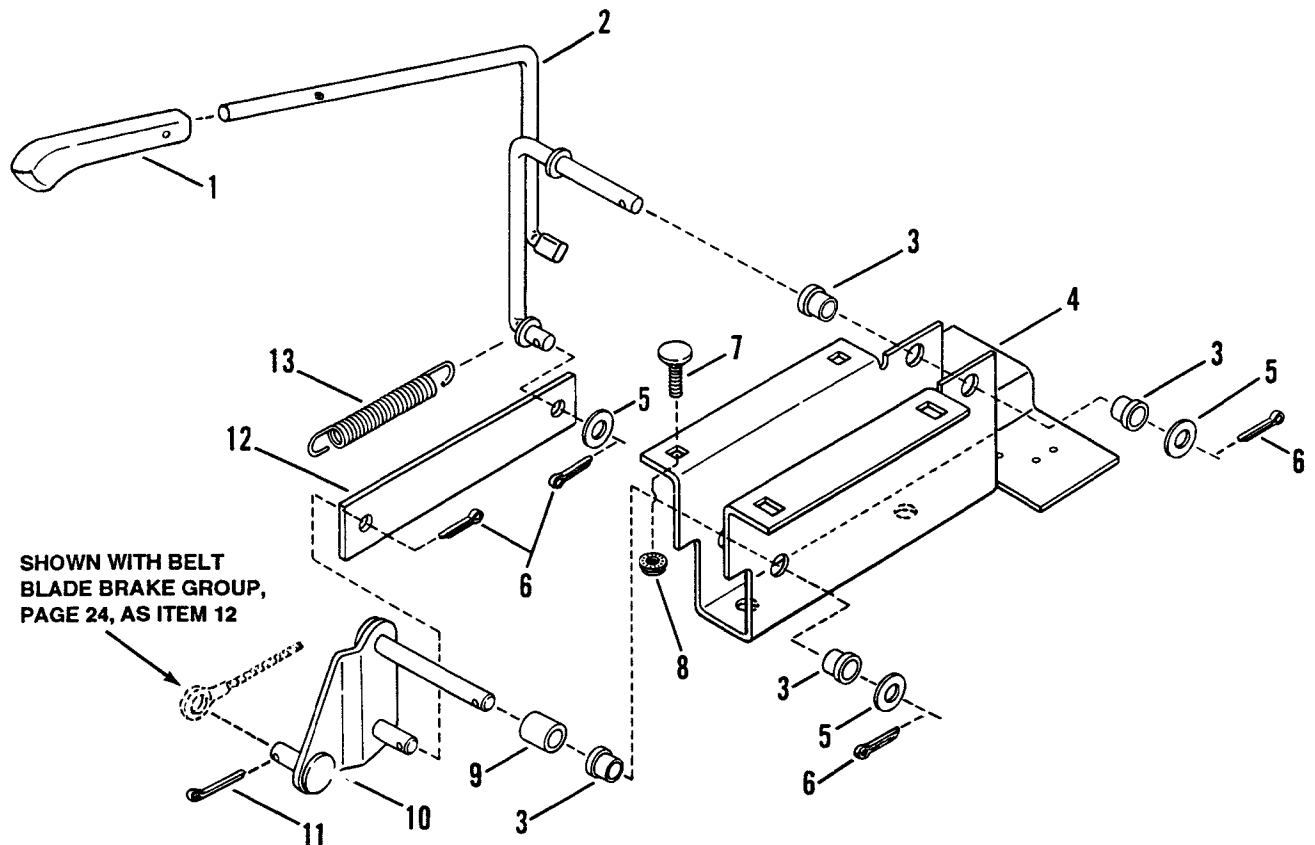
DECAL P.N. 2-2992 (41 INCH)
(LT125G41)

6-0929 Complete Cutter Unit

BELT, BLADE BRAKE, 41" CUTTING DECK



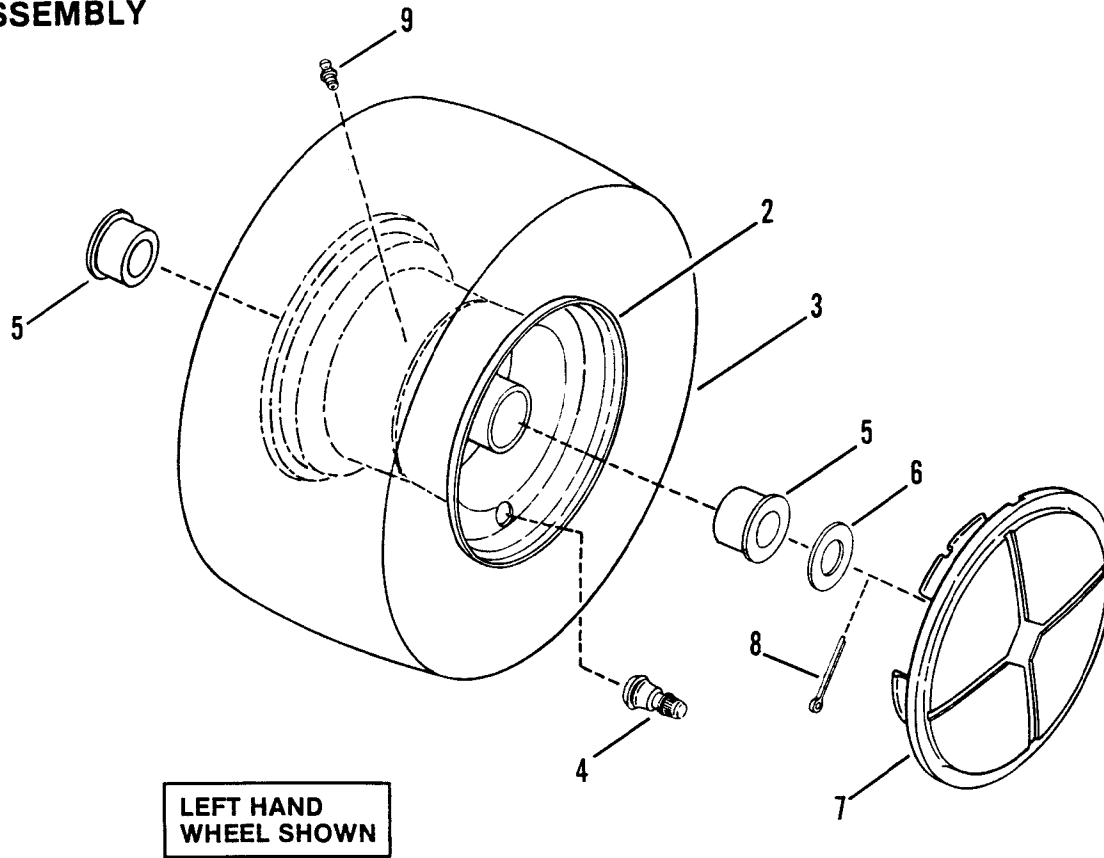
ITEM	PART NO.	DESCRIPTION
1	1-5724	PULLEY, Drive
2	1-4799	BELT, Drive
3	5-7307	ASSEMBLY, Brake Band
4	3-2169	DRUM, Brake A101
5	4-7912	ASSEMBLY, Brake Arm
6	1-8574	PULLEY, Idler
7	3-2587	ANCHOR, Brake
8	1-4303	TEE-NUT, 1/4-20
9	1-4302	BOLT, 1/4-20 Eye
10	1-1021	PIN, Clevis, 1/4 x 1 1/4"
11	2-3172	SPRING, Blade Brake
12	1-9040	CABLE, Blade 28.5"
13	1-0027	NUT, 3/4-16 Hex Jam
14	9-0063	NUT, 1/4-20 Hex
15	9-0167	SCREW, 3/8-24 x 2" Hex Hd. Cap
16	1-0740	RING, Retainer (2)
17	9-0289	NUT, 3/8-24 Hex Lock (2)



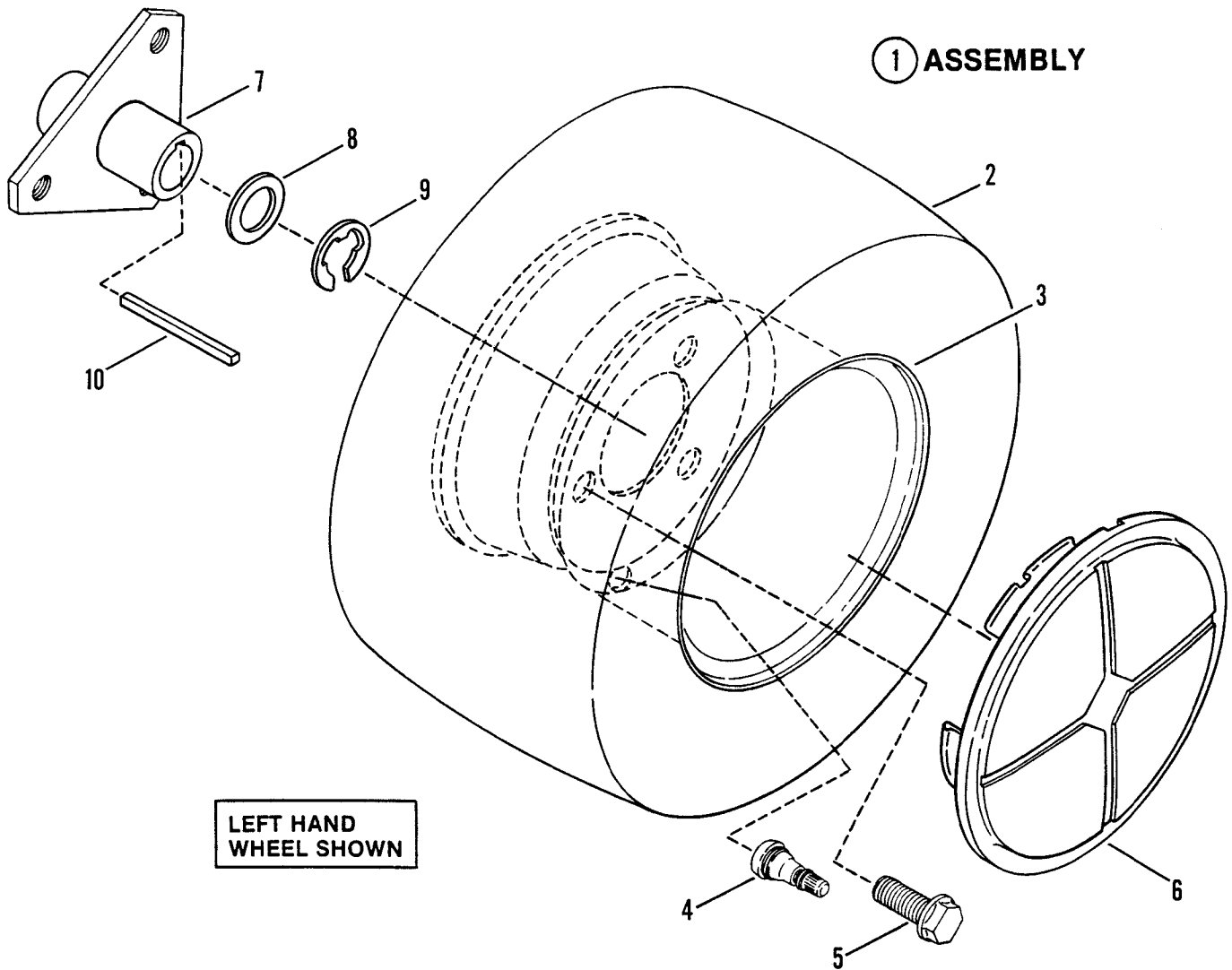
ITEM	PART NO.	DESCRIPTION
1	1-6356	KNOB, Handle
2	4-0996	HANDLE, Blade Engagement
3	1-3321	BUSHING (4)
4	3-3364	BRACKET, Handle
5	9-0122	WASHER (3)
6	9-0037	COTTER-PIN, 3/32 x 3/4" (4)
7	9-0803	BOLT, 1/4-20 x 5/8" Flat Hd. Carriage (4)
8	9-0583	NUT, 1/4-20 Hex Flange Lock (4)
9	2-3206	SPACER
10	4-0570	PIVOT ARM ASSEMBLY
11	9-0038	COTTER-PIN, 3/32 x 1"
12	3-2712	LINK
13	2-3165	SPRING, Return
14	3-3277	BRACKET, Idler Support
15	1-7748	PULLEY, Idler
16	9-0701	BOLT, 3/8-16 x 1 3/4" Hex Flange Lock
17	9-0613	NUT, 3/8-16 Hex Lock
18	9-0731	BOLT, 5/16-18 x 1/2" Short Neck Carr. (2)
19	9-0585	NUT, 5/16-18 Hex Lock (2)

WHEELS - FRONT

① ASSEMBLY



ITEM	PART NO.	DESCRIPTION
1	5-2185	ASSEMBLY, Front Tire & Rim (Includes items 2,3, & 4)
2	1-6739	RIM, 6 x 4.50
3	1-6740	TIRE, 15-6.00 x 6
4	1-2234	VALVE, Air (Snap-in)
5	1-4483	BEARING, Wheel (2)
6	3-2027	WASHER
7	1-9417	WHEEL-COVER
8	9-0364	COTTER-PIN
9	1-3876	FITTING, Lube



LEFT HAND
WHEEL SHOWN

ITEM	PART NO.	DESCRIPTION
1	5-2187	ASSEMBLY, Rear Tire & Rim (LT125G41) (Includes items 2, 3, & 4)
-	5-2675	ASSEMBLY, Rear Tire & Rim (LT125G33 & RLT125G33) (Includes items 2, 3, & 4)
2	1-6744	TIRE, 18-8.50 x 8 (Used with 41" Deck)
-	2-2688	TIRE, 18-7.50 x 8 (Used with 33" Deck)
3	1-6742	RIM, 8 x 7 (Used with 41" Deck)
-	1-6741	RIM, 8 x 5.375 (Used with 33" Deck)
4	1-2234	VALVE, Air (Snap-in)
5	9-0367	BOLT, 1/2-20 x 3/4" Lug (3)
6	1-9418	WHEEL-COVER
7	4-0720	HUB, Rear Wheel
8	1-0935	WASHER
9	1-2705	RING, Retaining
10	1-7173	KEY, Square, 3/16 x 2 1/2"

Parts Manual for

SNAPPER®

**LT125G33, LT125G41,
& RLT 125G33 SERIES 1
GEAR DRIVE TRACTOR**

SNAPPER® McDonough, GA., 30253 U.S.A.