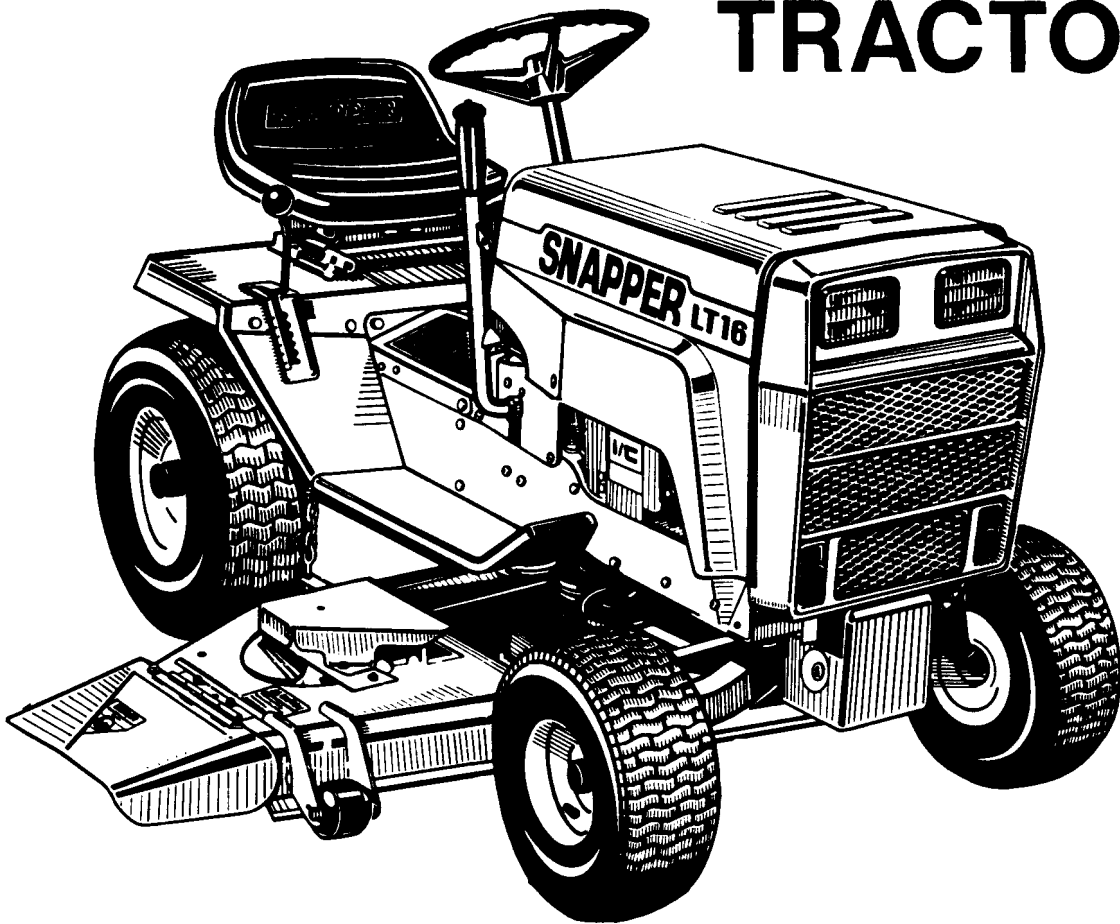


Parts Manual for



SNAPPER®

LT12 & LT16 SERIES 2 LAWN TRACTORS



& MOWER ATTACHMENTS

Refer to Parts Manual #06614 for Lawn Tractor Accessory Parts.

NOTE: The Series number is the last numeral in the model number.

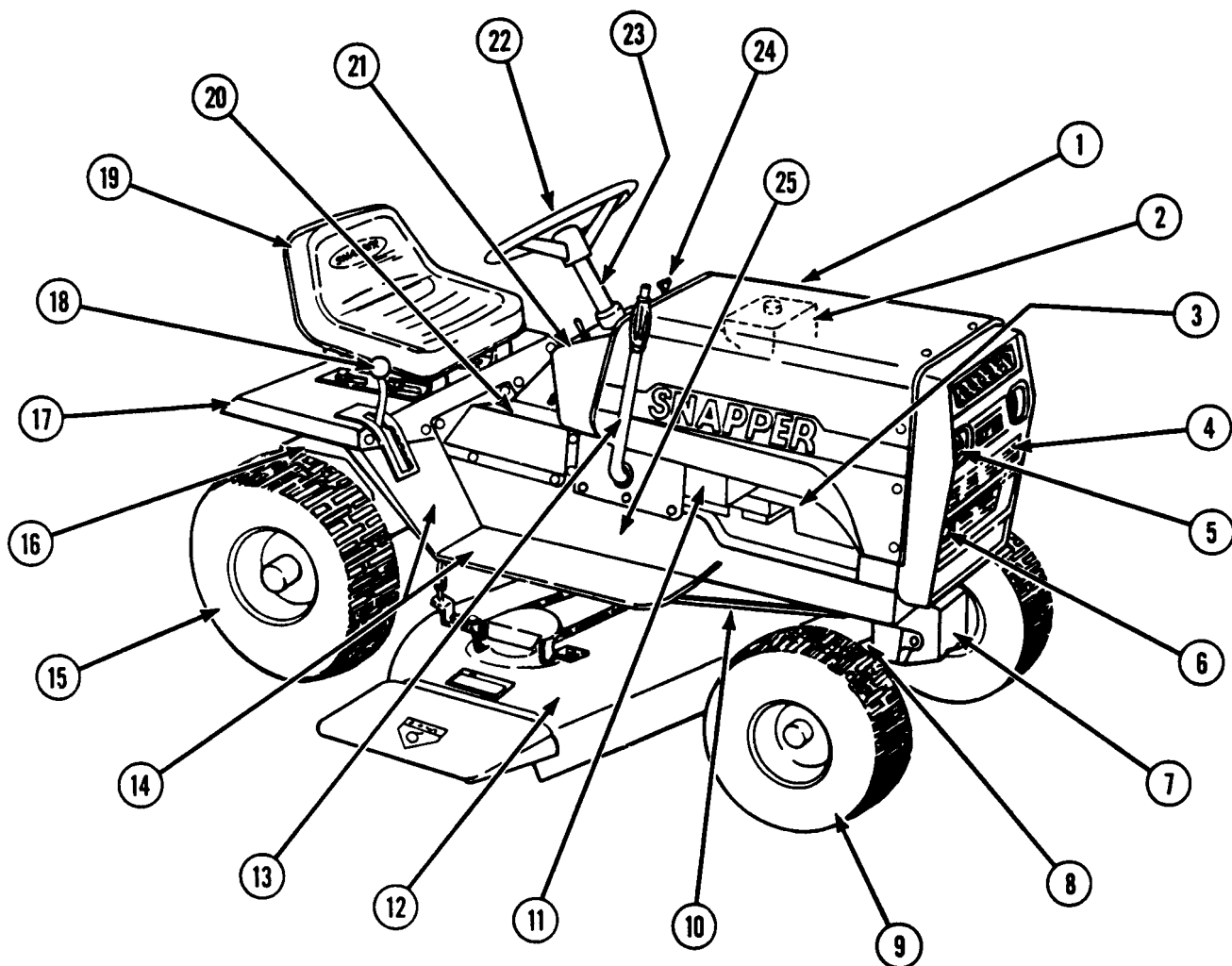
IT IS THE POLICY OF SNAPPER POWER EQUIPMENT TO IMPROVE ITS PRODUCTS WHENEVER IT IS POSSIBLE AND PRACTICAL TO DO SO. WE RESERVE THE RIGHT TO MAKE CHANGES OR ADD IMPROVEMENTS AT ANY TIME WITHOUT INCURRING ANY OBLIGATION TO MAKE SUCH CHANGES ON PRODUCTS MANUFACTURED PREVIOUSLY.

SNAPPER McDonough, GA., 30253 U.S.A.

COPYRIGHT © 1997
SNAPPER INC.
ALL RIGHTS RESERVED

(3/97 ISSUE)

MANUAL #06514



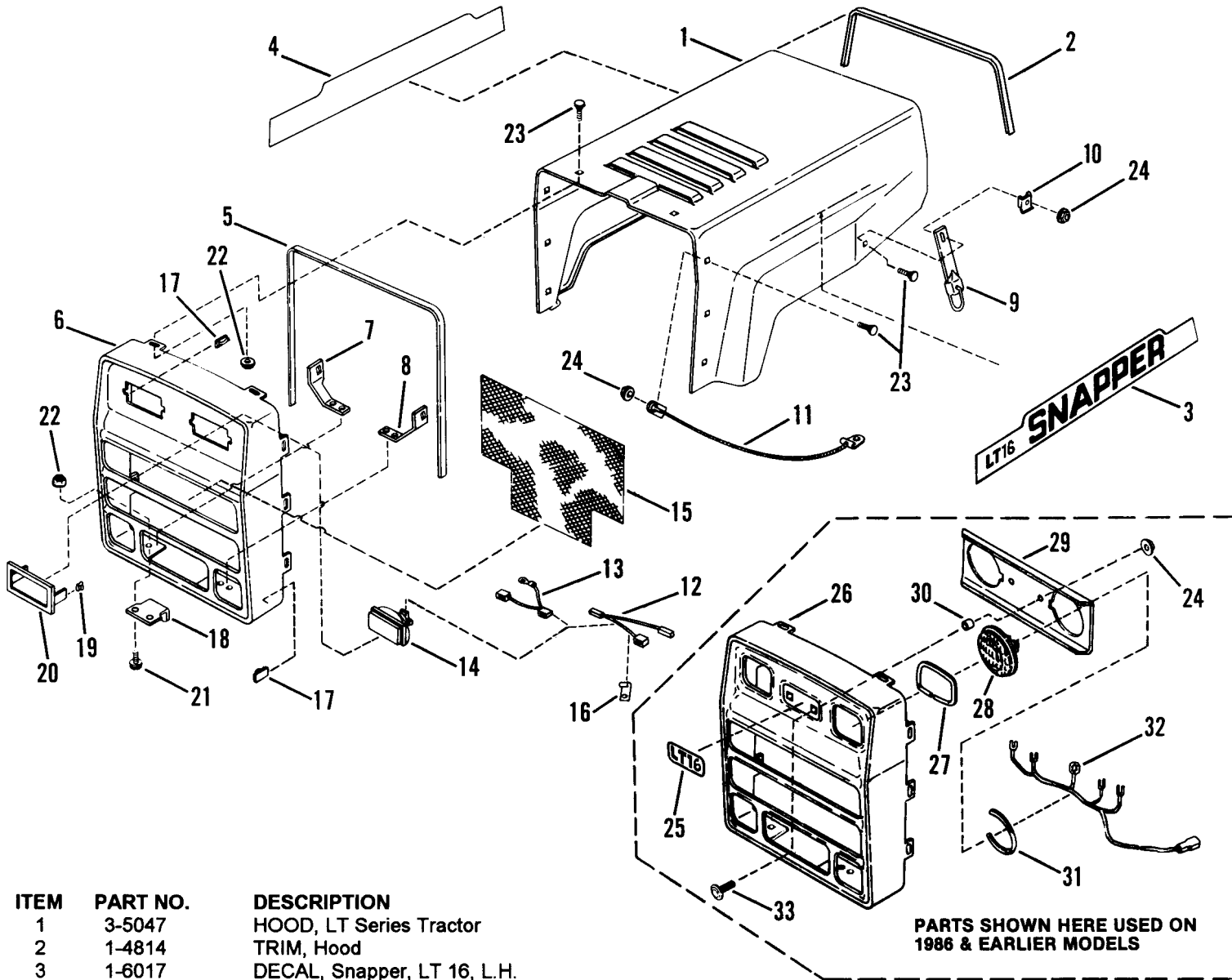
**NOTE: LAWN TRACTOR ACCESSORIES
ARE LISTED IN LT MANUAL No. 06614**

INDEX- MAIN COMPONENTS

ITEM	DESCRIPTION	PAGE	ITEM	DESCRIPTION	PAGE
1	HOOD	3	14	STEP PLATES, PANELS	10 & 11
2	FUEL SYSTEM	4	15	REAR WHEELS	21
3	ENGINE	8 & 9	16	TRANSMISSION, AXLE	6,16,18,19
4	GRILLE	3	17	REAR FENDER	10
5	HEAD LAMPS	3 & 20	18	CONTROLS (BRAKE/CLUTCH)	12 & 13
6	EXHAUST	8	19	SEAT	10
7	MULE DRIVE	30	20	CENTER COVER	8
8	FRONT AXLE	14	21	DASH PANEL	5
9	FRONT WHEELS	21	22	STEERING WHEEL	14 & 15
10	BELTS, MOWER	24 & 26	23	STEERING MECHANISM	14 & 15
11	BATTERY	20	24	CHOKE AND THROTTLE CONTROLS	4 & 5
12	MOWERS (33")	24 & 25	25	CHASSIS, FRAME PARTS	8 & 9
12	MOWERS (41")	26 & 27	26	THATCHERIZER	32 & 33
12	MOWERS (48")	28 & 29	27	DOZER (42")	34 & 35
13	INPLEMENT LIFT	22	28	REAR WEIGHT KIT	36

LT SNOW THROWER PARTS SHOWN IN MANUAL No. 06614

HOOD, GRILLE, HEADLAMPS

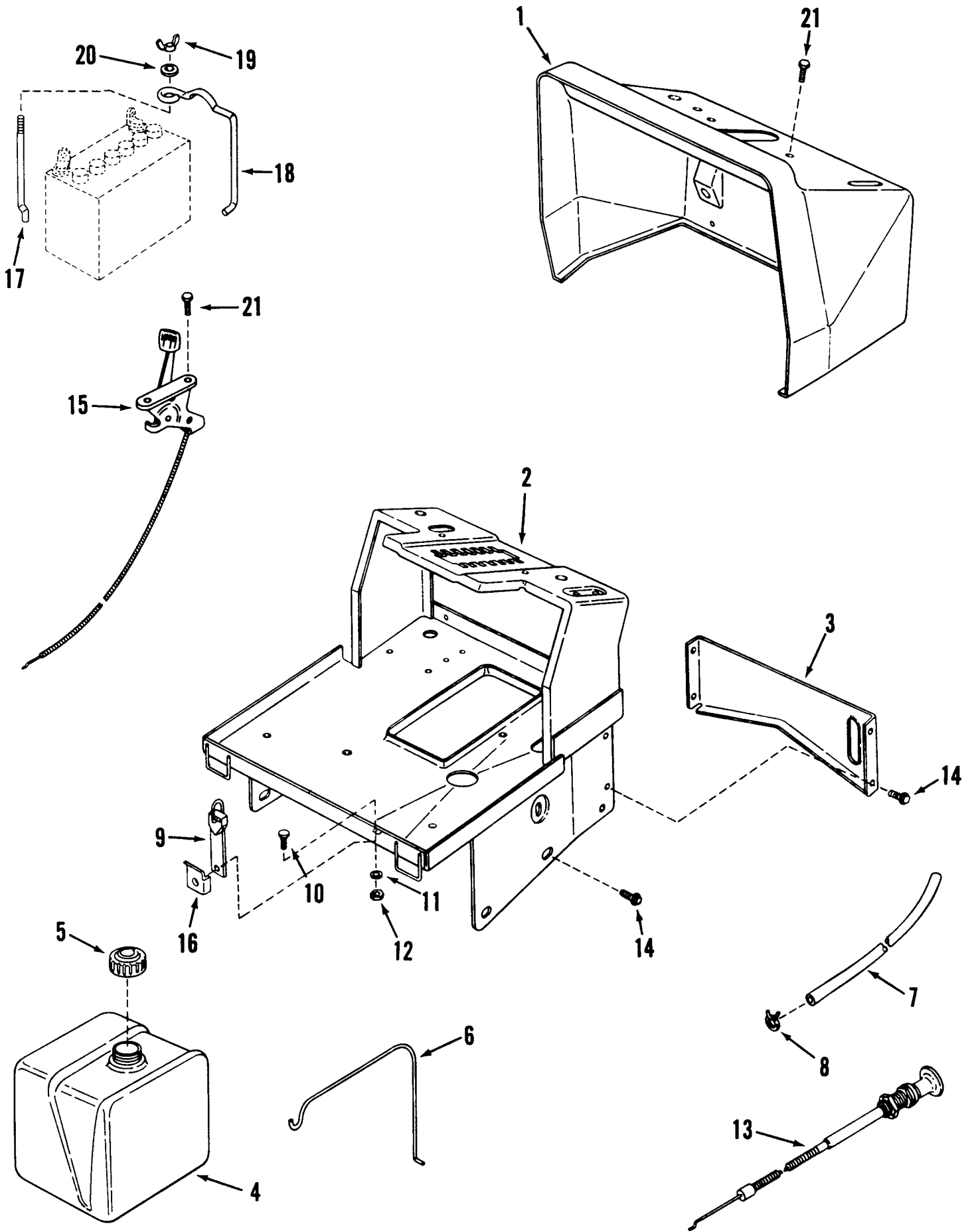


ITEM	PART NO.	DESCRIPTION
1	3-5047	HOOD, LT Series Tractor
2	1-4814	TRIM, Hood
3	1-6017	DECAL, Snapper, LT 16, L.H. (Shown)
—	1-6015	DECAL, Snapper, LT 12, L.H.
4	1-6016	DECAL, Snapper, LT 16, R.H.
—	1-6014	DECAL, Snapper, LT 12, R.H.
5	1-4815	GASKET, Grille
6	3-5103	GRILLE (1987 & Later)
7	3-8157	BRACE, Grille, R.H.
8	3-8158	BRACE, Grille, L.H.
9	1-8254	LATCH, Hood Retaining (2)
10	3-2444	CLIP, Hood Retainer (2)
11	1-2674	CABLE, Hood Stop (2)
12	1-5486	HARNASS, Head Lamp Wiring (1987 & Later)
13	1-5487	HARNASS, Head Lamp Ground Wiring (1987 & Later)
14	1-8829	HEAD LAMP (2) (1987 & Later)
15	3-6117	MESH, Grille
16	1-2652	CLIP, Wiring Harness (2)
17	1-2691	CLIP (2)
18	3-2398	HINGE, Hood (2)
19	1-7591	CLIP, Head Lamp Mounting (2)
20	3-3211	BEZEL, Head Lamp Mount. (2)

ITEM	PART NO.	DESCRIPTION
21	9-0596	BOLT, 1/4-20 x 5/8" Hex Flange Lock, Grade 5 (4)
22	9-0583	NUT, 1/4-20 Hex Flange Lock (12)
23	9-0803	BOLT, 1/4-20 x 5/8" Flat Head Carriage (10)
24	9-0477	NUT, 1/4-20 Hex Fl. Top Lock (6)
25	1-5267	DECAL, LT 12
—	1-4816	DECAL, LT 16
26	3-5049	GRILLE (1986 & Earlier)
27	1-2651	GASKET, Head Lamp (2)
28	1-8415	HEAD LAMP (2) (1986 & Earlier)
29	3-8083	BRACKET, Head Lamp
30	1-4874	SPACER (2)
31	1-2650	GASKET, Head Lamp to Bracket (2)
32	1-9529	HARNASS, Head Lamp Wiring (1986 & Earlier)
33	9-0867	BOLT, 1/4-20 x Flat Head Carriage (2)
—	3-3032	REINFORCEMENT, Bezel (not shown)

PARTS SHOWN HERE USED ON 1986 & EARLIER MODELS

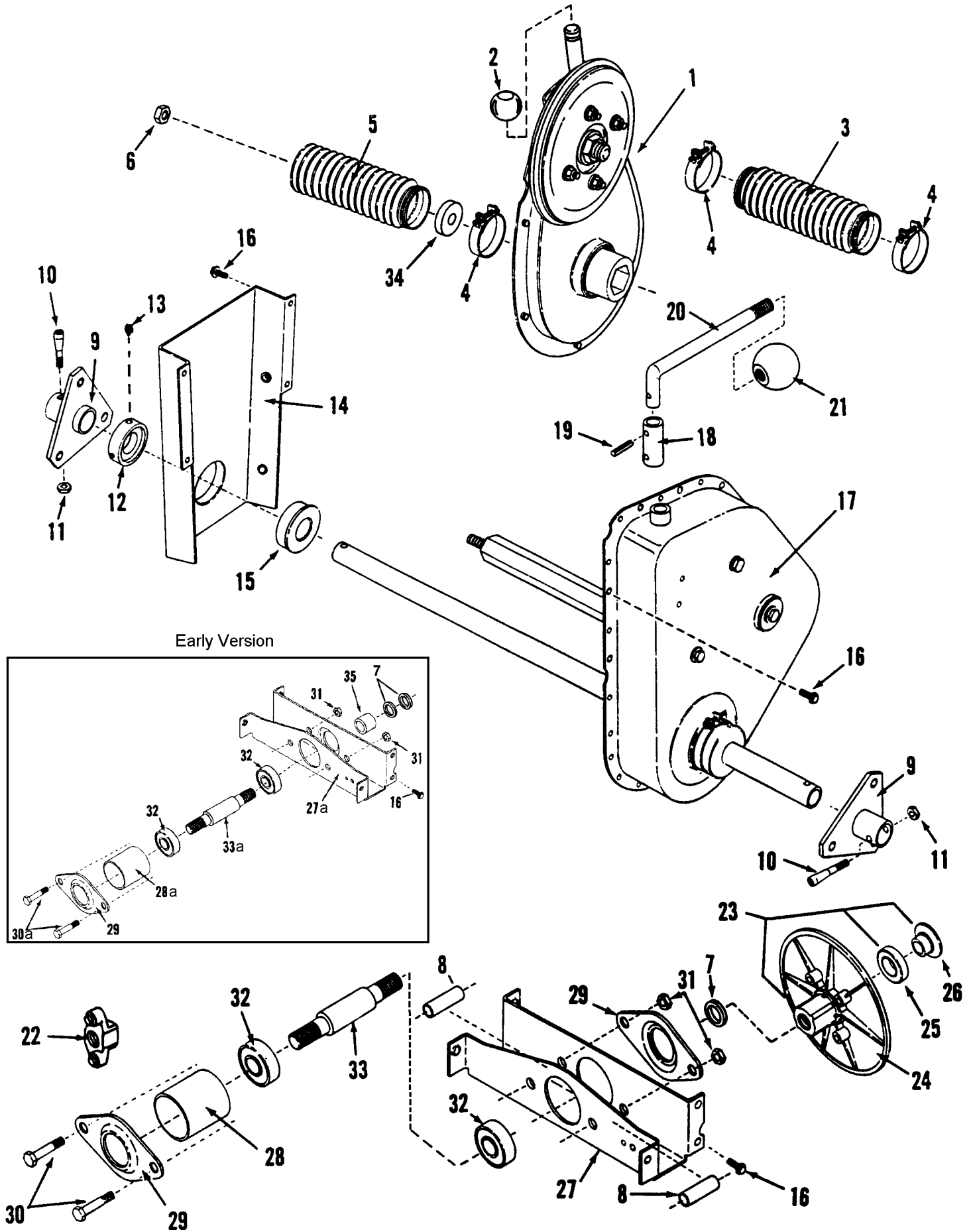
FUEL TANK, PEDESTAL, DASH & HOLD DOWNS



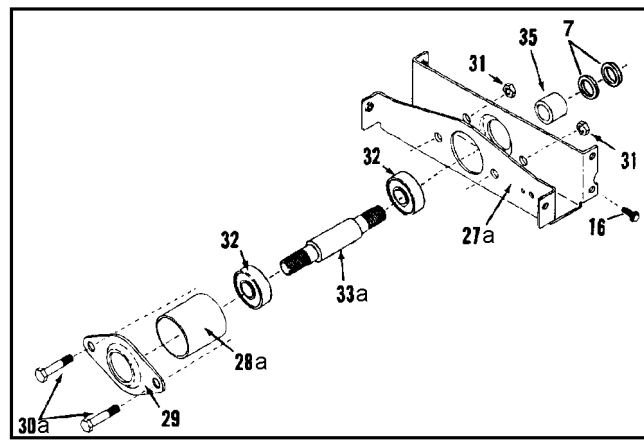
FUEL TANK, PEDESTAL, DASH & HOLD DOWNS

ITEM	PART NO.	DESCRIPTION
1	1-9958	PANEL, Dash
2	4-9943	PEDESTAL
3	3-8143	BRACKET, Lower Dash
4	5-7334	TANK, Fuel (Includes item 7)
5	1-4363	CAP, Fuel Tank Filler
6	1-8624	HOLD-DOWN, Fuel Tank
7	1-2912	LINE, Fuel (12-1/2" Long)
8	1-2222	CLAMP, Fuel Line (2)
9	1-8254	STRAP, Tank Hold Down
10	9-0803	BOLT, 1/4-20 x 5/8" Flat Head Carriage, Grade 2
11	9-0055	WASHER, 1/4 SAE
12	9-0477	NUT, 1/4-20 Hex Flange Lock, Grade 5
13	1-8674	CONTROL, Choke Cable (29")
14	9-0361	SCREW, 5/16-18 x 5/8" Hex Washer Self-Tap (10)
15	1-8675	CONTROL, Throttle (27-3/4") (1987 & Earlier)
--	1-5844	CONTROL, Throttle (B&S Twin 2) (1988 & Later, 30.0")
16	3-2444	CLIP, Hood Retainer
17	3-2296	HOLD-DOWN, Battery
18	1-4434	CLAMP, Battery
19	9-0311	WING-NUT, 1/4-20
20	9-0055	WASHER, 1/4 Flat
21	9-0853	SCREW, #10-24 x 1/2" Hex Washer Self-Tap
--	6-0743	KIT, Ammeter/Hourmeter
--	6-0767	KIT, Ammeter
--	1-5277	HOUR METER
--	5-1609	KIT, Ammeter

DRIVE DISC, REAR AXLE COMPONENTS



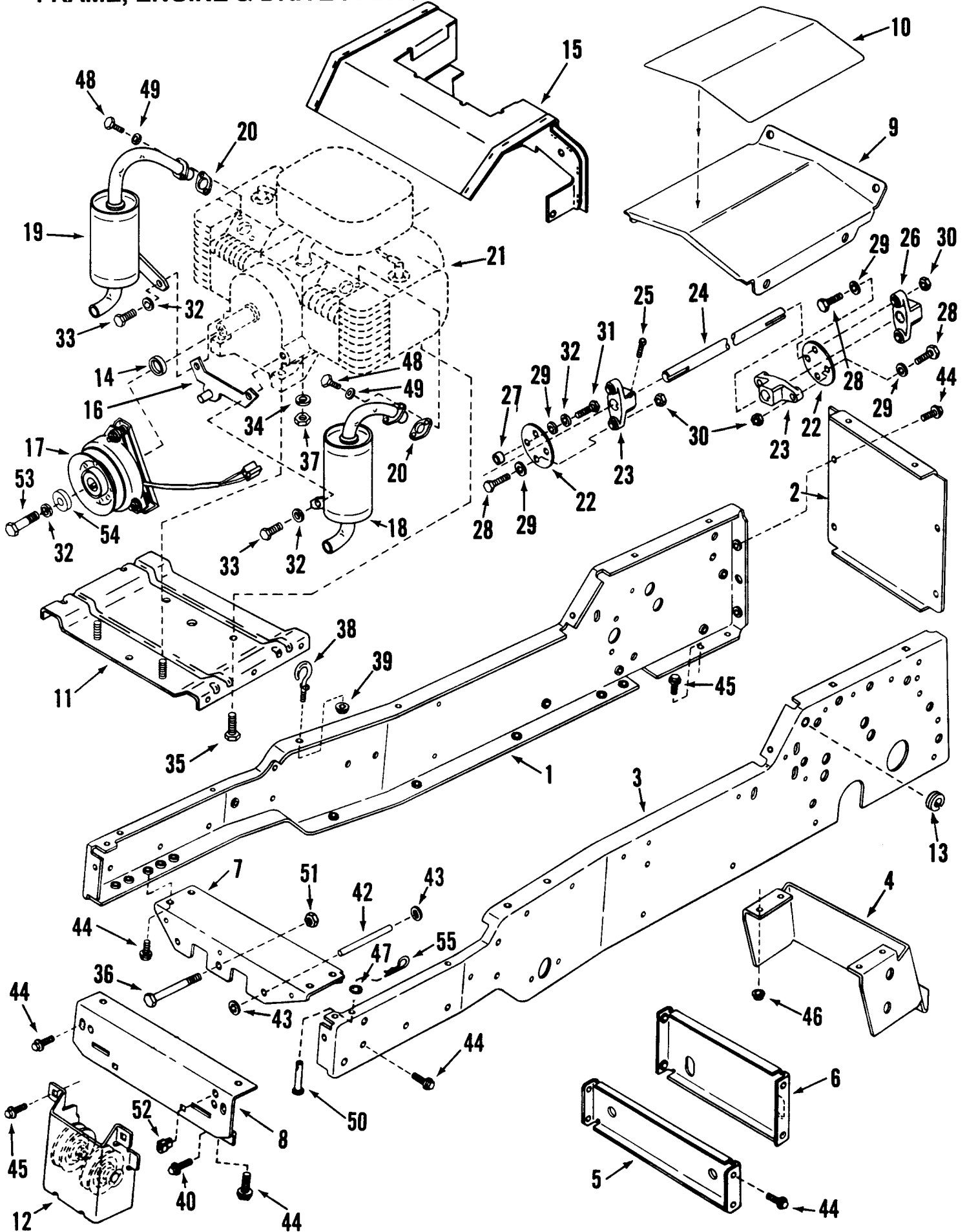
Early Version



DRIVE DISC, REAR AXLE COMPONENTS

ITEM	PART NO.	DESCRIPTION
1	5-9639	PRIMARY CASE (See page 18 for parts breakdown)
2	1-4396	BUSHING, Primary Clutch
3	1-8660	BOOT, Left Side Oil seal
4	1-1037	CLAMP, Boot (4)
5	1-8770	BOOT, Right Side Oil Seal
6	9-0613	NUT, 3/8-16 Hex Flange Lock
7	1-0121	WASHER, Shim (2)
8	1-5264	SPACER, 3.312" Long x .332" ID
9	4-0529	HUB, Rear Wheel (2)
10	1-1013	BOLT, Tapered (2)
11	1-1201	NUT, 5/16-24 Hex Lock (2)
12	1-4401	LOCK-COLLAR (Includes item 13)
13	9-0201	SETSCREW, 5/16-18 x 5/16" (2)
14	5-7328	ASSEMBLY, Axle Support (includes item 15)
15	1-4400	BEARING, Ball
16	9-0361	SCREW, 5/16-18 x 5/8" Hex Washer Self-Tap (18)
17	5-9846	ASSEMBLY, Transmission (See page 16-17 for parts breakdown)
18	2-1903	COUPLING, Shift Lever
19	9-0844	ROLL-PIN, 3/16 x 3/4" (2)
20	3-2308	LEVER, HI-LO Shifter
21	1-4501	KNOB, Shifter Ball
22	1-8584	HUB, Flex Coupling (See page 8)
23	5-1418	ASSEMBLY, Drive Disc (includes items 24 thru 26)
24	1-8567	DISC, Drive
25	1-4514	BEARING, Ball
26	1-4447	BUTTON, Center
27	3-6155	SUPPORT, Bearing (Latest version requires items 32 & 33)
27a	3-6085	SUPPORT, Bearing (Early version – narrower with rear bearing holder)
28	2-1943	TUBE (Use with item 27, 4.07" Long x 1.78" ID)
28a	2-1943	TUBE, (Early version, 3.07" Long x 1.78" ID)
29	3-2396	RETAINER (Use with item 27)
30	9-0912	SCREW, 5/16-18 x 4-1/4" Hex Head Cap (2)
30a	9-0553	CAPSCREW, 5/16-18x3 Hex Head (2) (Early version)
31	9-0184	NUT, 5/16-18 Hex Center Lock Grade B or 5 (2)
32	1-3313	BEARING, Ball (2)
33	2-1972	SPINDLE, Drive Disc 6.04" Long (1.6" Machined Rear Length)
33a	2-1956	SPINDLE, Drive Disc 6.04" Long (Early version, 2.6" Machined Rear Length)
34	3-7776	WASHER, Shim
35	2-1955	SPACER, .75" ID x 1" Long

FRAME, ENGINE & DRIVE PARTS



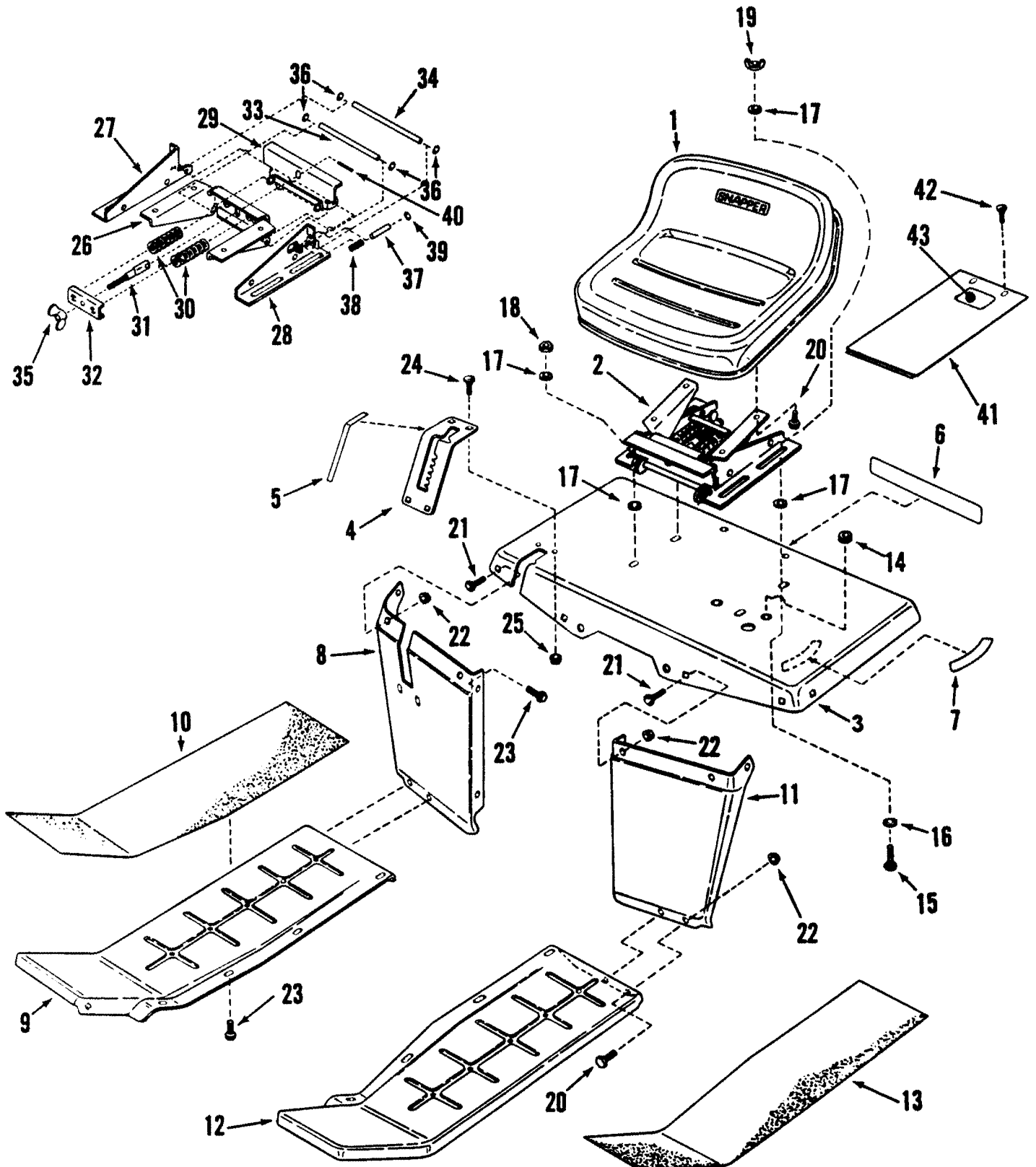
FRAME, ENGINE & DRIVE PARTS

ITEM	PART NO.	DESCRIPTION
1	5-7425	CHANNEL, Right Hand Frame
2	3-8185	PLATE, Rear Cover
3	5-7424	CHANNEL, Left Hand Frame
4	3-5029	DRAWBAR
5	3-6078	BRACE, Forward
6	3-6079	BRACE, Rear Cross
7	3-8051	CHANNEL, Front Axle Support
8	5-9648	PLATE, Front Frame
9	3-6067	COVER, Console
10	1-6009	DECAL, Console Cover
11	5-7342	BASE, Engine
12	5-7362	ASSEMBLY, Mule Drive (See page 30 for breakdown)
13	1-4856	GROMMET, Split
14	2-1960	SPACER, Clutch
15	5-9637	ASSEMBLY, Clutch Retainer
16	4-0528	BRACKET, Clutch Retainer
17	5-3679	KIT, Electric Clutch (See page 31 for breakdown)
18	1-9741	MUFFLER, LT 12 & LT 16 Engine
19	1-9742	MUFFLER, LT 12 & LT 16 Engine
20	1-4802	GASKET, Exhaust (2)
21	0-0050	ENGINE, Briggs 16 HP Model 402437, 0696-01/1206-01
-	1-7991	ENGINE, Briggs 12 HP Model 404437, 0110-01/1205-01
22	1-4338	DISC, Flex Coupling (2)
23	1-8626	HUB, Flex Coupling (2)
24	2-1944	SHAFT, Drive (22.62" x .75")
25	9-0848	SET-SCREW, 5/16-18 x 1/2" Square Head (4)
26	1-8584	HUB, Flexible Coupling (Threaded center)
27	1-4803	SPACER, Flexible Coupling (2)
28	9-0138	SCREW, 3/8-16 x 1", Hex Head Cap, Grade 2 (6)
29	3-2070	WASHER, 3/8 Flat (8)
30	9-0546	NUT, 3/8-16 Hex Center Lock, Grade B or 5 (6)
31	9-0143	SCREW, 3/8-16 x 1-1/4" Hex Head Cap, Grade 5 (2)
32	9-0118	WASHER, 3/8 Split Lock (5)
33	9-0603	SCREW, 3/8-16 x 7/8", Hex Head Cap, Grade 5 (2)
34	9-0187	WASHER, 5/16 Split Lock (4)
35	9-0324	SCREW, 3/8-16 x 1" Hex Washer Self-Tap (2)
36	9-0826	SCREW, 1/2-20 x 4" Hex Head Cap, Grade 5
37	9-0196	NUT, 5/16-18 Hex (2)
38	1-4438	HOOK, Hood Latch (2)
39	9-0585	NUT, 5/16-18 Hex Flange, Grade 5 (2)
40	9-0362	SCREW, 1/4-20 x 5/8" Hex Washer Self-Tap
41	1-3847	RETAINER, 3/8 Bolt
42	3-2298	STOP, Axle (2)
43	1-3946	RETAINER, 3/8 Shaft (4)
44	9-0361	SCREW, 5/16-18 x 5/8" Hex Washer Self-Tap (36)
45	9-0612	BOLT, 3/8-16 x 3/4" Hex Flange Lock 6)
46	9-0613	NUT, 3/8-16 Hex Flange Lock (4)
47	9-0919	PUSH-NUT, 1/2 (2)
48	9-0072	SCREW, 1/4-20 x 5/8" Hex Head Cap (4)
49	9-0052	WASHER, 1/4 Split Lock (4)
50	1-2392	PIN, 1/4 x 7/8" Clevis (2)
51	9-0393	NUT, 1/2-20 Hex Nyloc
52	1-4804	RELIEF, Strain
53	9-0523	SCREW, 3/8-24 x 1-5/8" Hex Head Cap, Grade 5
54	9-0905	WASHER, .406 I.D.
55	1-2431	PIN, 1/4 Hair

***Purchase engine parts, other than those shown here from Briggs and Stratton Service outlet.**

***Engine Drain Plug requires a 1/4" allen wrench.**

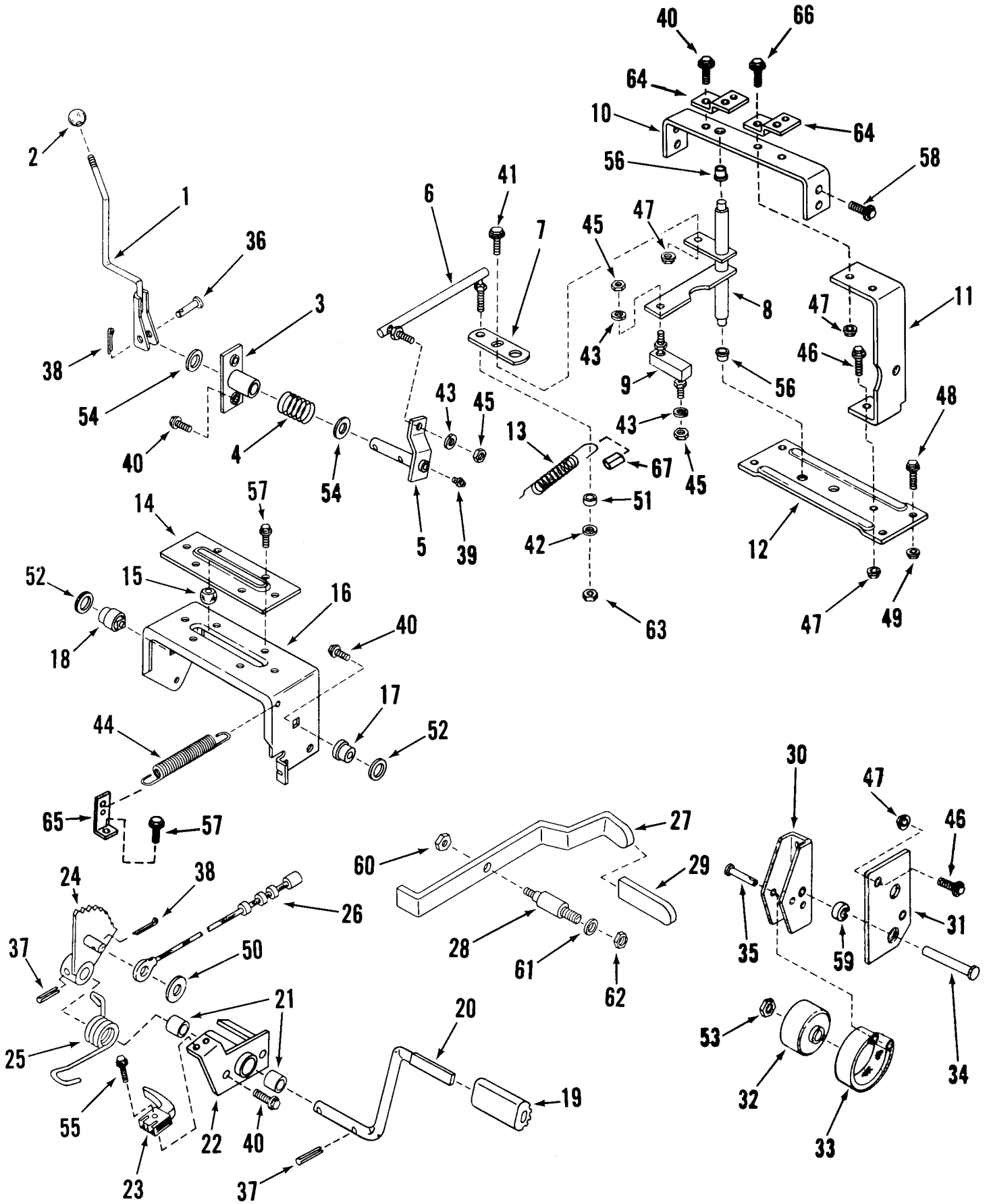
SEAT, STEP PANELS & REAR FENDER



SEAT, STEP PANELS & REAR FENDER

ITEM	PART NO.	DESCRIPTION
1	1-9964	SEAT, Operator's
2	5-9841	ASSEMBLY, Seat Suspension (Includes Items 26 thru 40)
3	3-5071	FENDER, Rear
4	3-8089	DETENT, Shift
5	1-4506	DECAL, Speed Shift
6	1-8593	DECAL, SNAPPER
7	1-4505	DECAL, HI-LOW RANGE (Shift)
8	3-9932	EXTENSION, Right Side Fender
9	3-5016	PANEL, Right Side Step
10	1-8602	TREAD, Right Side (Non-Skid)
11	3-9931	EXTENSION, Left Side Fender
12	3-5015	PANEL, Left Side Step
13	1-8603	TREAD, Left Side (Non-Skid)
14	1-4856	GROMMET, Split
15	9-0208	BOLT, 5/16-18 x 1" Square Neck Carriage (4)
16	1-1791	RETAINER, 5/16 Bolt (4)
17	1-3848	WASHER, 5/16 (8)
18	9-0184	NUT, 5/16-18 Hex Center Lock, Grade B or 5 (2)
19	1-4848	WING-NUT, 5/16-18
20	9-0721	BOLT, 5/16-18 x 1/2" Hex Flange Lock, Grade 5 (8)
21	9-0731	BOLT, 5/16-18 x 1/2" Short Neck Carriage, Grade 5 (6)
22	9-0585	NUT, 5/16-18 Hex Flange Lock, Grade 5 (10)
23	9-0361	SCREW, 5/16-18 x 5/8" Self-Tap (14)
24	9-0005	BOLT, 1/4-20 x 1/2" Short Neck Carriage, Grade 5 (4)
25	9-0583	NUT, 1/4-20 Hex Flange Lock (4)
26	4-9720	WELDMENT, Seat Hinge
27	3-6119	ANGLE, L.H. Mounting
28	3-6118	ANGLE, R.H. Mounting
29	4-7838	WELDMENT, Seat Hinge
30	1-4845	SPRING, Seat (2)
31	1-4844	ROD, Adjusting
32	3-2399	RETAINER, Spring
33	2-1947	PIN, Seat Tilt Hinge
34	2-1948	PIN, Seat Tilt Hinge
35	1-4850	WING-NUT, 1/2-13
36	1-3946	PUSHNUT, 3/8 (4)
37	2-1946	PLUNGER
38	1-4846	SPRING, Compression
39	9-0037	PIN, 3/32 x 3/4" Cotter
40	9-0843	GROOVED PIN, 3/16 x 1-3/4"
41	3-8186	COVER, Access
42	9-0858	SCREW, 5/16-18 x 1/2" Hex Washer Self-Tap (2)
43	1-4921	DECAL, Seat Adjustment

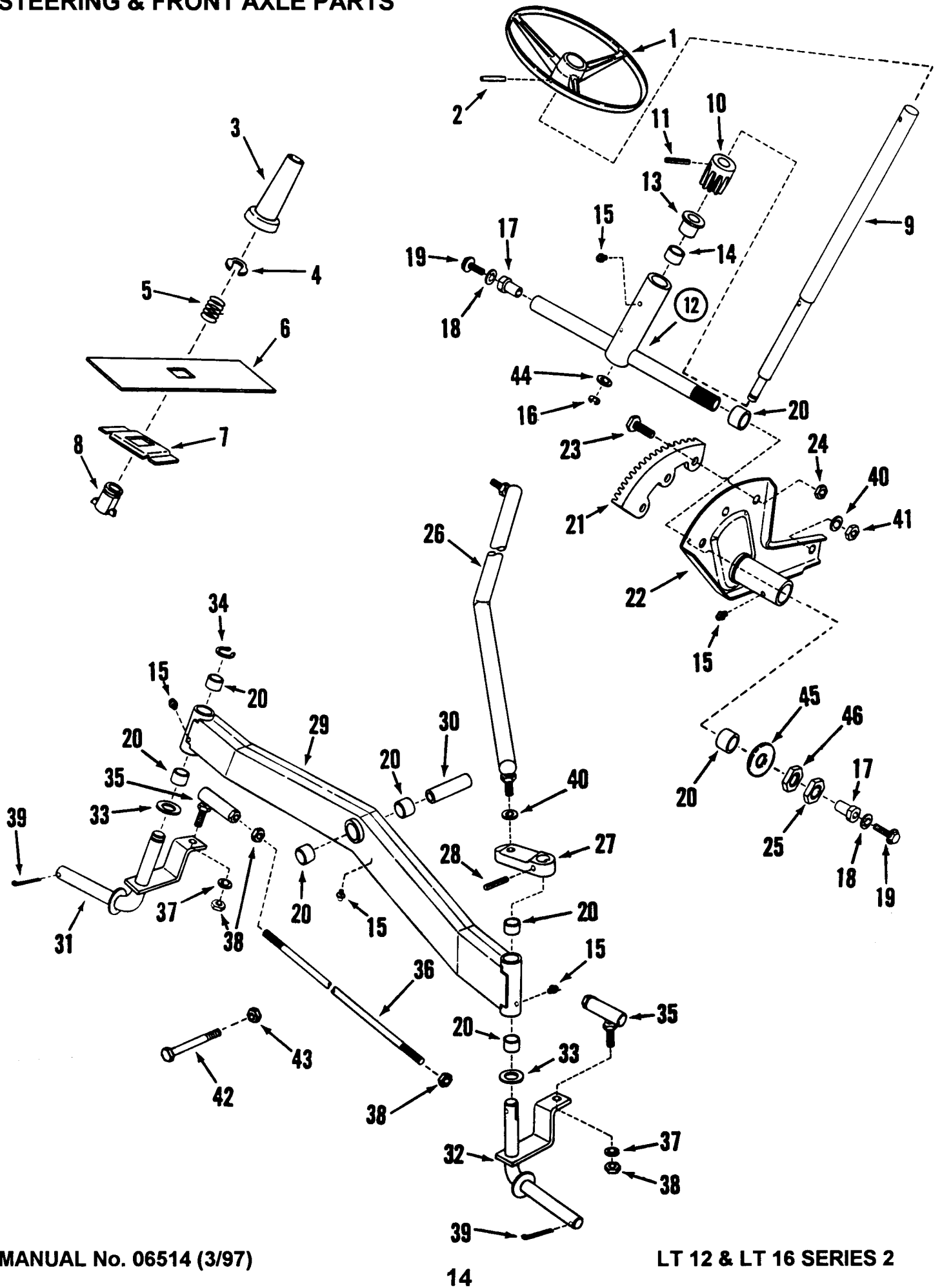
CLUTCH, BRAKE & TRANSMISSION CONTROLS



CLUTCH, BRAKE & TRANSMISSION CONTROLS

ITEM	PART NO.	DESCRIPTION	ITEM	PART NO.	DESCRIPTION
1	4-0494	SHIFTER, Transmission	38	9-0037	PIN, 3/32 x 3/4" Cotter (2)
2	1-4501	KNOB, Shifter	39	1-3324	FITTING, Lube
3	4-0486	PIVOT, Shift	40	9-0361	SCREW, 5/16-18 x 5/8" Hex Flange Self-Tap
4	1-4442	SPRING, Shift Detent	41	9-0606	BOLT, 5/16-18 x 5/8" Hex Flange Lock
5	5-1610	ARM, Shifter (Incl. Item 39)	42	9-0188	WASHER, 5/16 SAE
6	1-4441	LINK, Shift-Long (8.53")	43	9-0187	WASHER, 5/16 Split Lock
7	3-2257	ARM, Shift Adjusting	44	1-4659	SPRING
8	4-7828	ARM, Shift	45	9-0223	NUT, 5/16-24 Hex
9	1-4337	LINK, Shift-Short	46	9-0595	BOLT, 5/16-18 x 3/4" Hex Flange Lock.
10	3-8046	STRAP, Upper Cross	47	9-0585	NUT, 5/16-18 Hex Flange Lock, Grade 5
11	3-8100	STRAP, Brake Pivot Support	48	9-0612	BOLT, 3/8-16 x 3/4" Hex Flange Lock
12	3-8084	STRAP, Lower Cross	49	9-0613	NUT, 3/8-16 Hex Flange Lock
13	1-4528	SPRING, Reverse Assist (15 Coil)	50	9-0122	WASHER, 3/8 SAE Flat
14	3-2315	RETAINER (PLATE), Clutch Yoke Bushing	51	1-1968	ROLLER, Shift Arm
15	1-4396	BUSHING, Clutch Ball	52	1-0935	WASHER, Shim (2)
16	3-6077	YOKE, Clutch	53	9-0356	JAM-NUT, 5/8-18
17	1-4327	BUSHING, Yoke Pivot-Short	54	3-1036	WASHER, Thrust
18	1-4328	BUSHING, Yoke Pivot-Long	55	9-0849	SCREW, #10-24 x 1" Self-Tap
19	1-2661	PAD, Pedal	56	1-1016	BEARING, Nylon (2)
20	3-6086	PEDAL, Clutch Brake	57	9-0539	SCREW, 1/4-20 x 1/2" Hex Flange Self-Tap (5)
21	1-4435	BEARING, Sleeve (2)	58	9-0506	SCREW, 3/8-16 Hex Flange Self-Tap
22	5-1483	BRACKET, Pedal Pivot (Includes two item 21)	59	1-1780	RING
23	1-8524	SWITCH, Clutch Interlock	60	9-0477	NUT, 1/4-20 Small Flange Lock
24	4-0514	ARM, Clutch/Brake	61	9-0390	WASHER, 3/8 Internal Tooth Lock
25	1-4752	SPRING, Clutch/Brake	62	9-0130	NUT, 3/8-16 Hex, Grade 5
26	1-7432	CABLE, Clutch/Brake (36.0")	63	9-0222	NUT, 5/16-24 Hex Center Lock
27	3-8142	LEVER, Parking Brake	64	3-2433	BRACKET, Mounting- Rear Fender (2)
28	1-4754	STUD, Parking Brake	65	3-2446	CLIP, Spring Attach
29	1-4755	SLEEVE, Parking Brake	66	9-0661	BOLT, 5/16-18 x 1" Hex Flange Lock
30	3-2324	LEVER, Brake Pivot	67	1-5291	CLIP, Spring Retainer
31	3-2335	SUPPORT, Brake Pivot			
32	4-0542	DRUM, Brake			
33	5-7340	BAND, Brake			
34	1-4539	PIN, 3/8 x 2-9/16" Clevis			
35	1-4538	PIN, 1/4 x 1-13/16" Clevis			
36	1-0121	PIN, 3/8 x 1-1/4" Clevis			
37	1-3878	ROLL-PIN, 3/16 x 1-1/4" (2)			

STEERING & FRONT AXLE PARTS

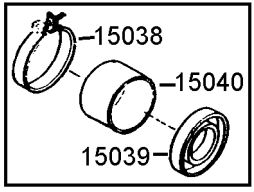


STEERING & FRONT AXLE PARTS

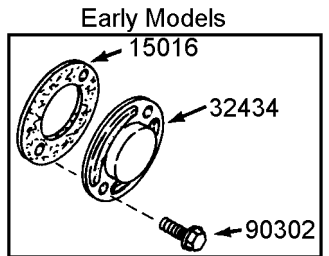
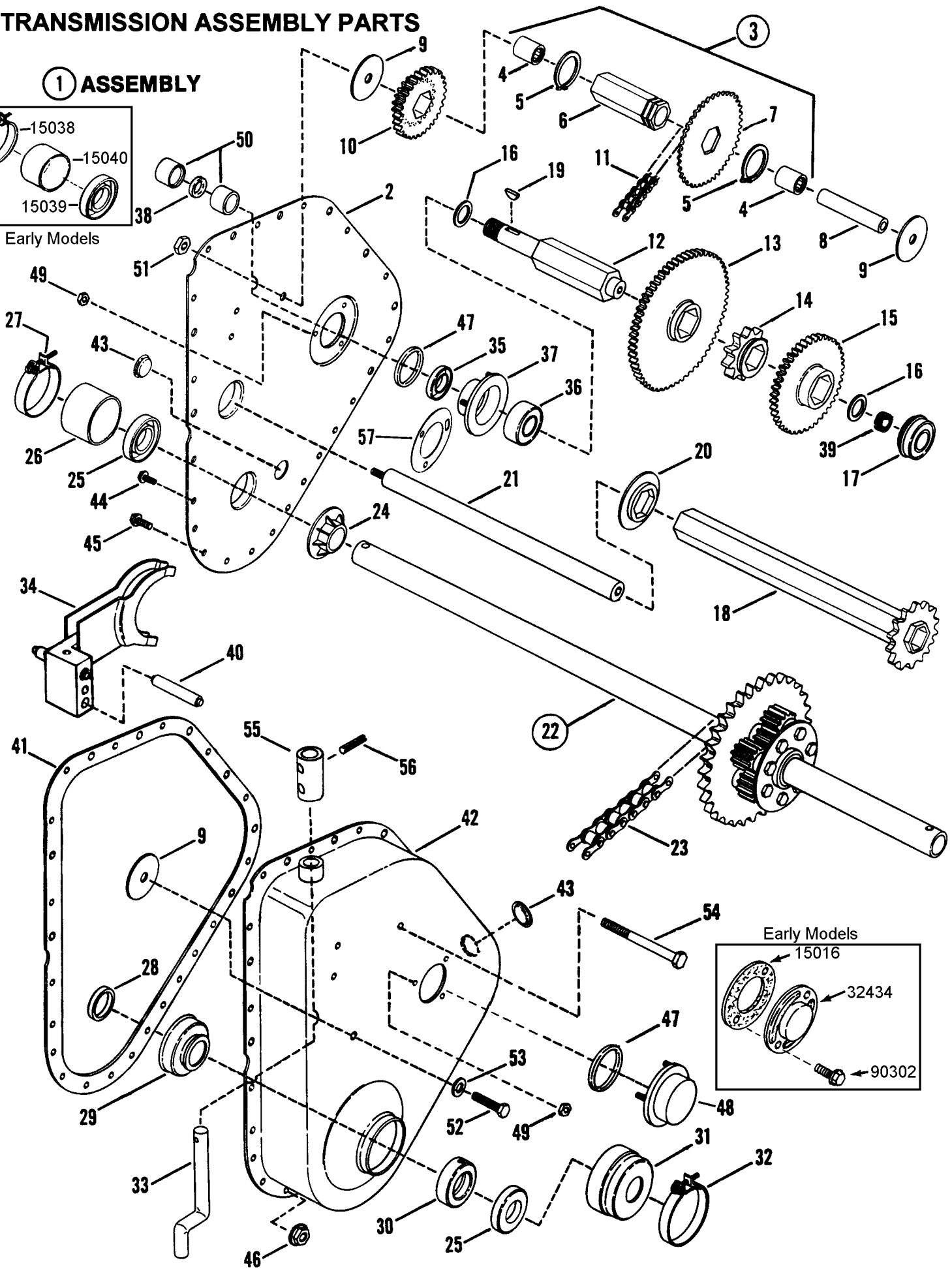
ITEM	PART NO.	DESCRIPTION
1	1-8589	STEERING WHEEL
2	1-4437	ROLL-PIN, 1/4" x 2-1/4"
3	1-8601	ACTUATOR, Steering Lock
4	1-4362	RING, 13/16" External Retaining
5	1-4402	SPRING, Actuator
6	1-4430	COVER, Slide
7	3-2272	RISER, Steering Lock
8	1-8583	BUSHING, Steering Lock
9	2-7646	SHAFT, Steering (Current Models)
10	1-8568	PINION, Steering
11	9-0841	ROLL-PIN, 3/16 x 1-1/2"
12	5-7363	ASSEMBLY, Bearing Support (Incl. Items 13 & 14)(Current Models)
13	1-4436	BEARING, Flange
14	1-4435	BUSHING
15	1-3864	FITTING, Lube (5)
16	9-0870	SNAP-RING, 5/16 (Current Models)
17	1-4358	PIVOT (2)
18	9-0391	WASHER, 5/16 Internal Tooth Lock (2)
19	9-0793	SCREW, 5/16-18 x 3/4" Hex Washer Self-Tap (2)
20	1-2706	BEARING (2)
21	1-9717	QUADRANT, Steering
22	5-1457	ASSEMBLY, Sector (Includes two item 20, one item 15)
23	9-0072	SCREW, 1/4-20 x 5/8" Hex Head Cap, Grade 5 (3)
24	9-0372	NUT, 1/4-20 Hex Center Lock, Grade B or 5 (3)
25	1-0027	NUT, 3/4-16 Hex Jam
26	1-9724	DRAG-LINK
27	1-8621	ARM, Steering
28	9-0842	ROLL-PIN, 1/4 x 1-1/4"
29	5-7366	ASSEMBLY, Front Axle (Includes six item 20, three item 15)
30	2-1882	JOURNAL, Axle
31	4-7812	KING-PIN, Right Side
32	4-7813	KING-PIN, Left Side
33	3-1036	WASHER, Thrust (2)
34	1-0746	RING, 3/4" External Retaining (2)
35	1-0745	BALL-JOINT (2)
36	1-4403	TIE-ROD
37	9-0118	WASHER, 3/8" Split Lock (2)
38	9-0155	NUT, 3/8-24 Hex, Grade 2 (2)
39	9-0364	COTTER-PIN, 5/32 x 1" (2)
40	9-0254	WASHER, 1/2 Split Lock (2)
41	9-0265	NUT, 1/2-20 Hex, Grade 2
42	9-0826	SCREW, 1/2-20 x 4" Hex Head Cap, Grade 5
43	9-0393	NUT, 1/2-20 Hex Thin Lock
44	1-3866	WASHER, 3/8" I.D. Flat
45	9-0863	WASHER, 3/4" I.D. Flat
46	9-0281	NUT, 3/4-16 Hex
47	6-0704	BAG, Hardware (Includes items 2 and 1-1024 Cap Plug)

TRANSMISSION ASSEMBLY PARTS

1 ASSEMBLY



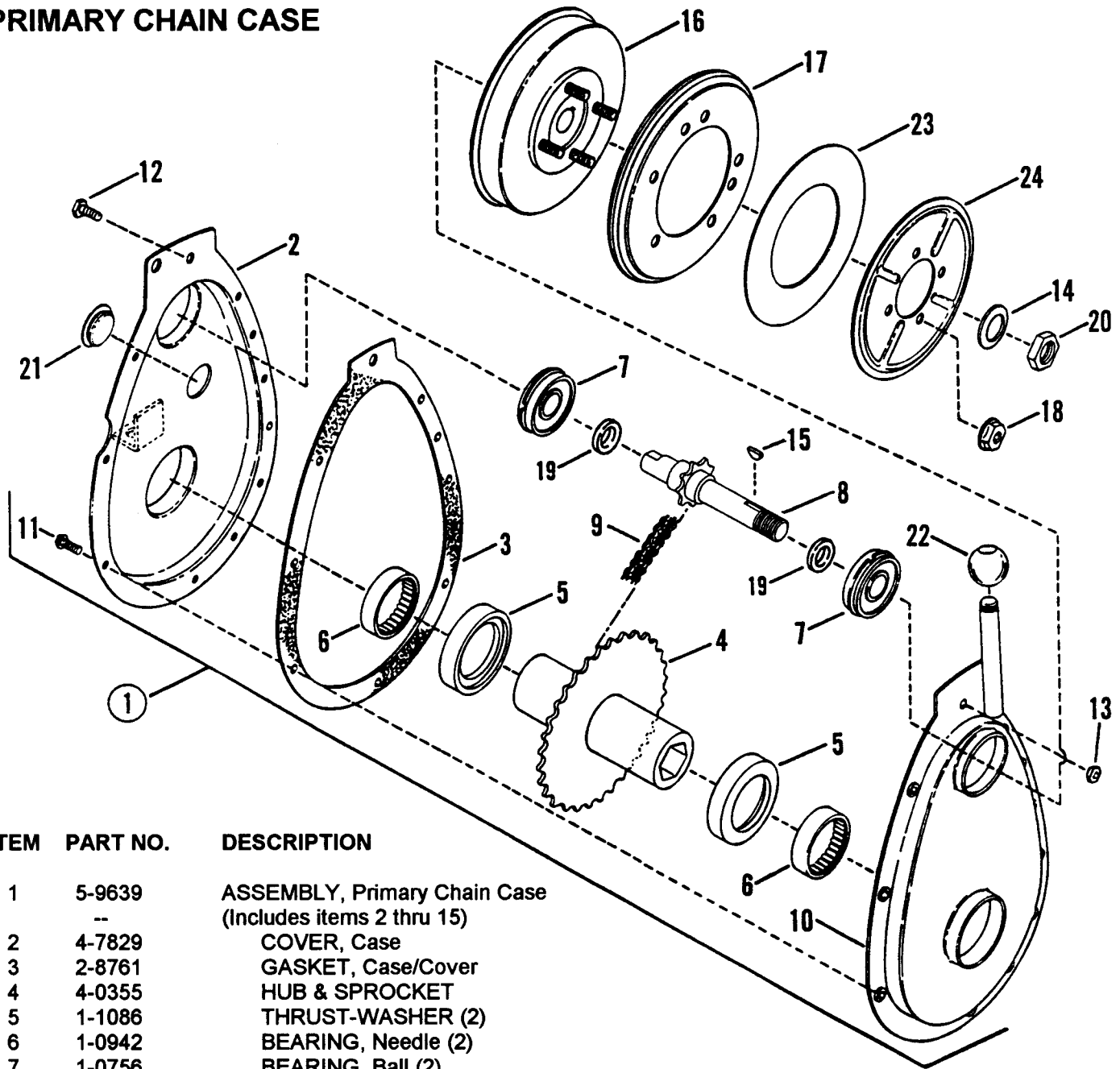
Early Models



TRANSMISSION ASSEMBLY PARTS

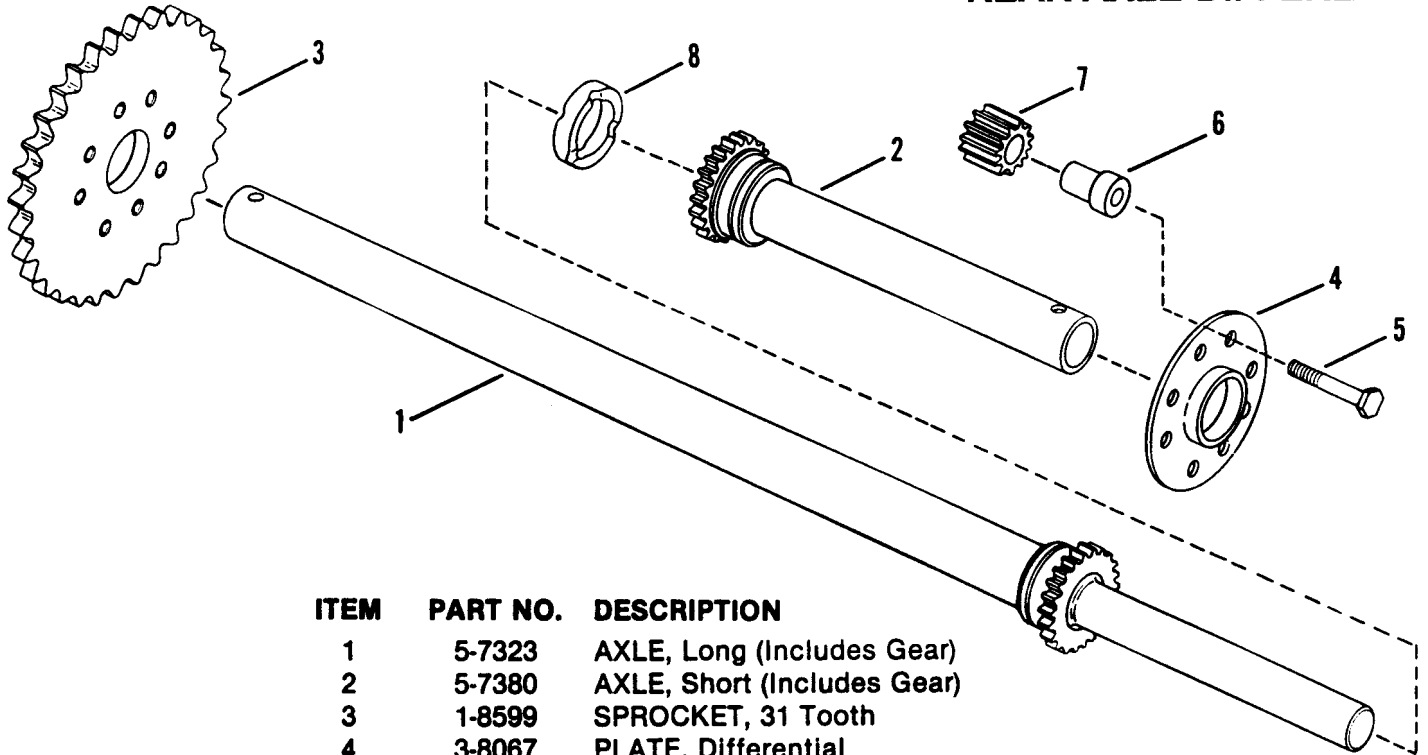
ITEM	PART NO.	DESCRIPTION
1	5-9846	ASSEMBLY, TRANSMISSION (Includes items 2 thru 56)
2	5-7416	COVER, Transmission (Includes item 35,36,37,47 & 49)
3	5-1427	ASSEMBLY, Hex Tube (Short)(Includes items 4 thru 7)
4	1-1178	BEARING, Needle (2)
5	1-4470	RING, Retaining (2)
6	5-1455	TUBE, Hex (Includes two item 4)
7	1-4448	SPROCKET, 46 Tooth (#35)
8	2-1898	RACE, Bearing
9	3-2255	THRUST WASHER
10	4-0499	CLUSTER GEAR
11	1-4490	CHAIN, 56 Pitch (#35)
12	2-7647	SHAFT, Third Reduction (6.027" Long)
13	1-8596	GEAR, 67 Tooth, 12 Pitch
14	1-8598	SPROCKET, 10 Tooth (#50)
15	1-8597	GEAR, 47 Tooth, 12 Pitch
16	1-0690	SHIM WASHER (2)
17	1-0756	BEARING (2)
18	5-1584	ASSEMBLY, Drive Hex Tube
19	1-0211	KEY, Woodruff (#9)
20	1-0988	SPECIAL WASHER (Hex Insert)
21	5-1607	SHAFT, Drive Tube Support
22	*	DIFFERENTIAL (See Page 19 for Breakdown)
23	1-4444	CHAIN, 42 Pitch (#50)
24	1-4446	SPECIAL WASHER *Not available assembled as shown
25	1-1817	OIL SEAL (2) **Older units not updated
26	3-1732	CAP, Seal
27	1-1037	CLAMP, 1-7/8" Hose
28	2-1899	SPACER, Bearing (.280" thick, use with 1-4400)
-	3-2107	SPACER, Bearing (.145" thick; use with 1-8822)
29	1-4400	BEARING
29A	1-8822	BEARING, Rear Axle (.957" thick)
30	1-4401	COLLAR, Lock
31	1-4541	CAP, Dust Seal
32	1-4542	CLAMP, For 2.69" Hose
33	3-2309	ROD, (HI-LO Range) Shift
34	5-7330	ASSEMBLY, HI-LO Shifter (Includes Items 35 thru 39)
35	1-5219	SEAL, Oil
36	1-4514	BEARING
37	5-1586	ASSEMBLY, Bearing Retainer
38	1-4508	"O"-RING
39	1-5017	RING, Tolerance
40	2-1901	GUIDE-PIN, Shift
41	1-9962	GASKET, Cover to Case
42	5-7417	ASSEMBLY, Transmission Case (Incl. items 17,29,47,48 & 49)
-	5-7449	ASSEMBLY, Transmission Case (Incl. Items 29A, 46 & 57)
43	1-1024	PLUG, Oil Fill & Check (2)
44	9-0362	SCREW, 1/4-20 x 5/8" HWF Self Tap (18)
45	9-0584	BOLT, 1/4-20 x 1/2" HWF (2-Locating)
46	9-0583	NUT, 1/4-20 Hex Flange Lock (for item 45)
47	1-5218	"O"-RING (2)
48	5-1585	ASSEMBLY, Bearing Retainer
49	9-0583	NUT, 1/4-20 Hex Flange Lock (6)
50	1-5041	SPACER, Brake Shaft (2)
51	9-0499	NUT, 3/8-16 Hex Top Lock
52	9-0134	SCREW, 3/8-16 x 3/4" Hex Head Cap, Grade 5
53	9-0118	WASHER, 3/8 Split Lock
54	9-0810	SCREW, 3/8-16 x 3-1/4" Hex Head Cap
55	2-1903	COUPLING, Shift Lever
56	9-0844	ROLL-PIN, 3/16 X 3/4"
57	1-5799	GASKET, Bearing Retainer

PRIMARY CHAIN CASE



ITEM	PART NO.	DESCRIPTION
1	5-9639	ASSEMBLY, Primary Chain Case (Includes items 2 thru 15)
2	4-7829	COVER, Case
3	2-8761	GASKET, Case/Cover
4	4-0355	HUB & SPROCKET
5	1-1086	THRUST-WASHER (2)
6	1-0942	BEARING, Needle (2)
7	1-0756	BEARING, Ball (2)
8	1-0940	SHAFT, Input
9	1-0941	CHAIN
10	4-7830	CASE, Sprocket
11	9-0307	SCREW, #10-24 x 1/2" HW Self-Tap (10)
12	9-0072	SCREW, 1/4-20 x 5/8" Hex Head Cap, Gr. 5
13	9-0372	NUT, 1/4-20 Hex Center Lock
14	1-1121	WASHER, Bellville
15	1-0614	KEY, 1/8 x 5/8 Woodruff
16	5-9443	HUB, Driven Disc
17	5-3103	DISC, Driven
18	9-0356	NUT, 5/8-18 Hex Center Lock
19	1-4508	O-RING, 5/8 (2)
20	9-1601	NUT, 5/8-18 Hex Flange Lock, Grade 5 (3)
21	1-1024	PLUG (Oil fill & check)
22	1-4396	BUSHING, Primary Clutch Ball
23	1-4523	WASHER, Thrust
24	3-2331	PLATE

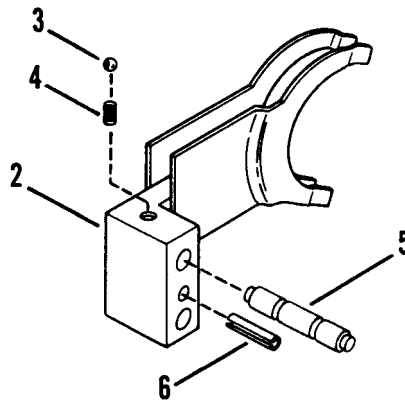
REAR AXLE-DIFFERENTIAL



ITEM	PART NO.	DESCRIPTION
1	5-7323	AXLE, Long (Includes Gear)
2	5-7380	AXLE, Short (Includes Gear)
3	1-8599	SPROCKET, 31 Tooth
4	3-8067	PLATE, Differential
5	1-2333	CAPSCREW, Special Lock (8)
6	2-1126	SPACER, Pinion (8)
7	2-1127	PINION GEARS, Differential (8)
8	1-1026	SPACER, Axle

DIFFERENTIAL PART OF TRANSMISSION ASSEMBLY-SEE PAGE 16.

SHIFTER ASSEMBLY



① ASSEMBLY

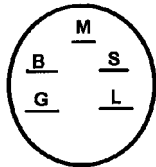
ITEM	PART NO.	DESCRIPTION
1	5-7330	ASSEMBLY, HI-LO SHIFTER (Includes items 2 thru 6)
2	4-7833	FORK, Shift
3	1-4469	BALL, Detent
4	1-4500	SPRING, Detent Ball
5	2-1900	GUIDE-PIN, Detent
6	9-0842	ROLL-PIN, 1/4x1-1/4

SHIFTER PART OF TRANSMISSION ASSEMBLY-SEE PAGE 16.

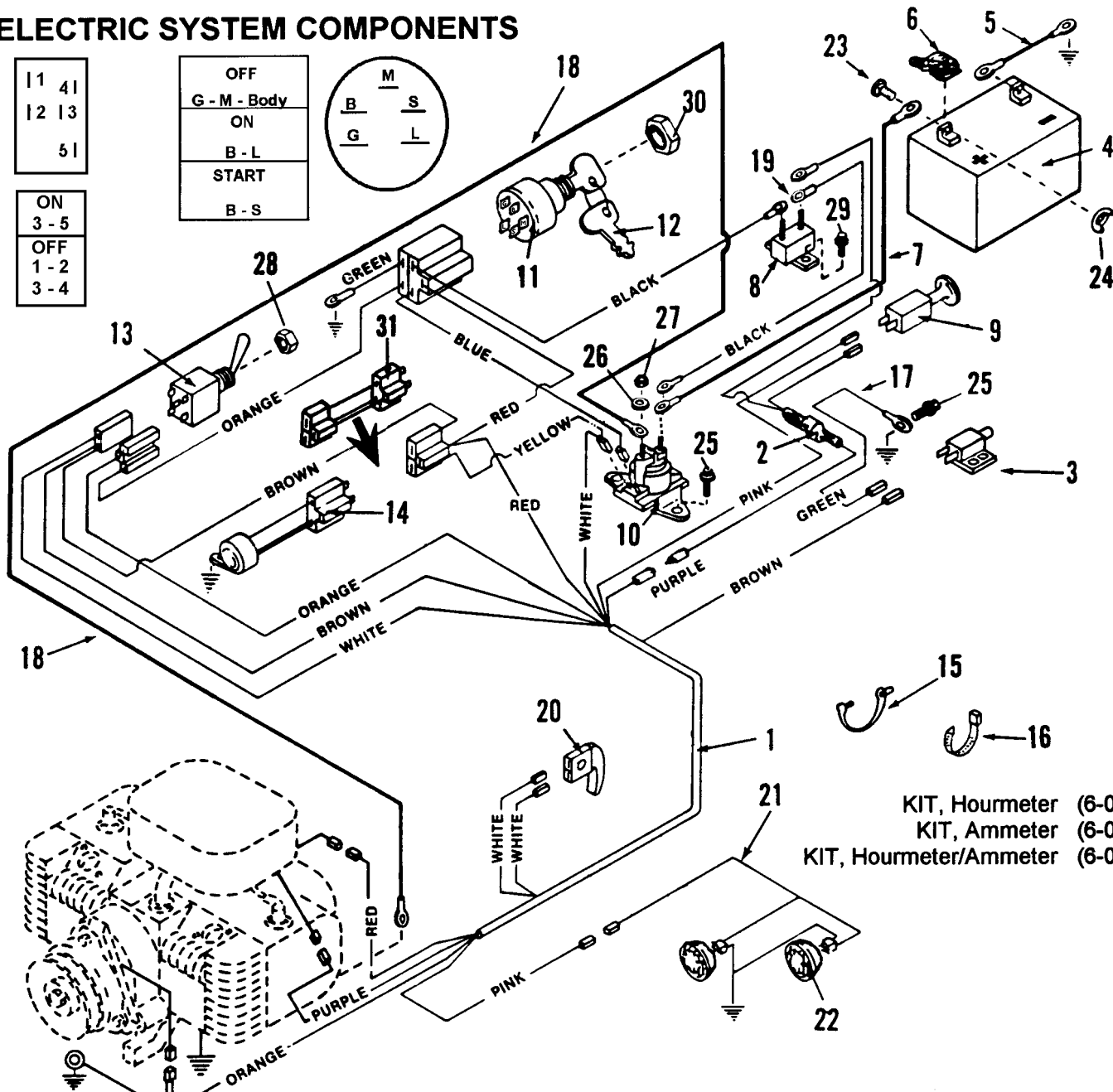
ELECTRIC SYSTEM COMPONENTS

11	41
12	13
51	

OFF
G - M - Body
ON
B - L
START
B - S



ON
3 - 5
OFF
1 - 2
3 - 4



KIT, Hourmeter (6-0788)
 KIT, Ammeter (6-0767)
 KIT, Hourmeter/Ammeter (6-0743)

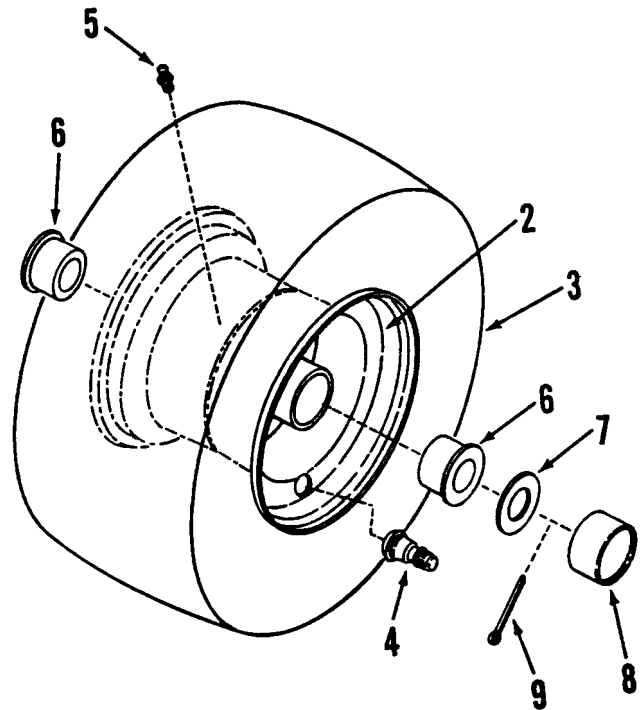
ITEM	PART NO.	DESCRIPTION
1	1-9743	HARNESS, Wiring
2	2-3235	HARNESS, Diode
3	1-4847	SWITCH, Seat Interlock (NO)
4	6-0618	BATTERY 12V. 30 Amp Hour
5	1-4475	CABLE, Negative (Black)
6	1-2444	COVER, Positive Terminal
7	1-4476	CABLE, Solenoid/Starter(11")
8	1-3941	CIRCUIT-BREAKER 20 AMP
9	1-8623	SWITCH, Headlamp (NO)
10	1-8604	SOLENOID
11	1-8562	KEYSWITCH (Incl. item 12)
12	1-1138	KEY (Set of 2)
13	1-9545	SWITCH, PTO
14	1-8571	MODULE, Interlock
15	1-4451	TIE, Wire
16	1-2080	TIE, Cable

ITEM	PART NO.	DESCRIPTION
17	1-4870	WIRE, Seat Switch to Ground
18	1-4477	CABLE, Solenoid/Starter (36")
19	1-4478	WIRE, Breaker to Solenoid
20	1-8524	SWITCH, Clutch Interlock (NO)
21	1-9529	HARNESS, Headlamp
22	1-8415	HEAD-LAMP (2)
23	9-0074	BOLT, 1/4-20 X 3/4" Carriage
24	9-0311	WING-NUT, 1/4-20 (2)
25	9-0362	SCREW, 1/4-20 X 5/8" Hex Washer Self-Tap (2)
26	9-0053	WASHER, 1/4 Int. Tooth Lock
27	9-0063	NUT, 1/4-20 Hex (2)
28	1-2686	NUT, Special 1/2-27 Hex
29	9-0307	SCREW, #10-24 x 1/2" Hex Washer Face Self-Tap (2)
30	1-2685	NUT, Special 5/8-32 Hex
31	1-5208	HARNESS, Module Repair

FRONT WHEELS

① ASSEMBLY

ITEM	PART NO.	DESCRIPTION
1	5-1372	ASSEMBLY, Front Tire & Rim (Includes items 2, 3, & 4)
2	1-9718*	RIM, LT16 Front Wheel
3	1-4350	TIRE, 15 x 6.00 x 6
4	1-2234	VALVE, Air
5	1-3876	FITTING, Lube
6	1-4483	BEARING, Wheel (2)
7	3-2027	WASHER, 49/64 x 1-1/2" Flat
8	1-1022	COVER, Dust
9	9-0364	PIN, 5/32 X 1" Cotter

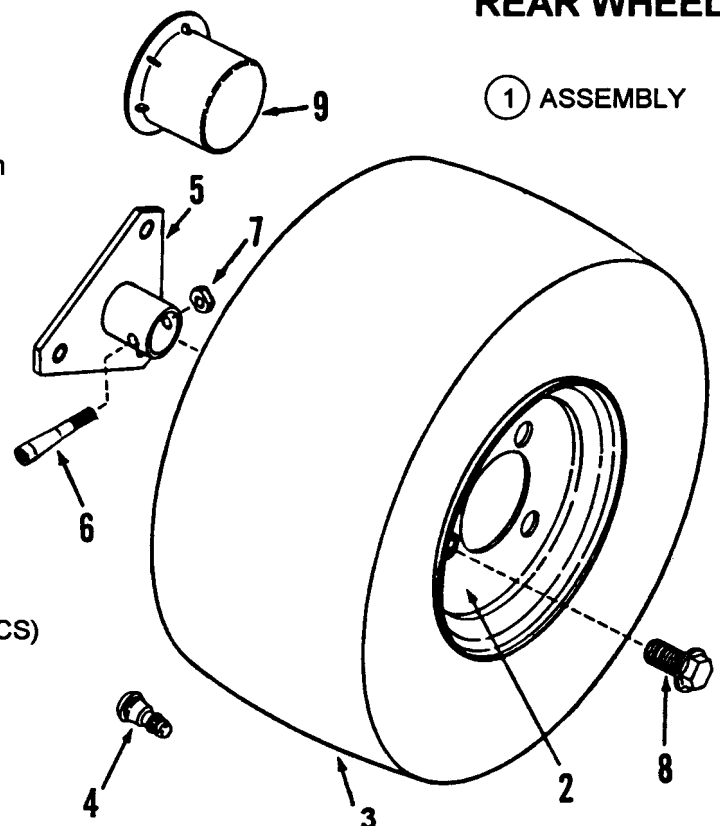


*(Rim Includes one item 5 & two item 6)

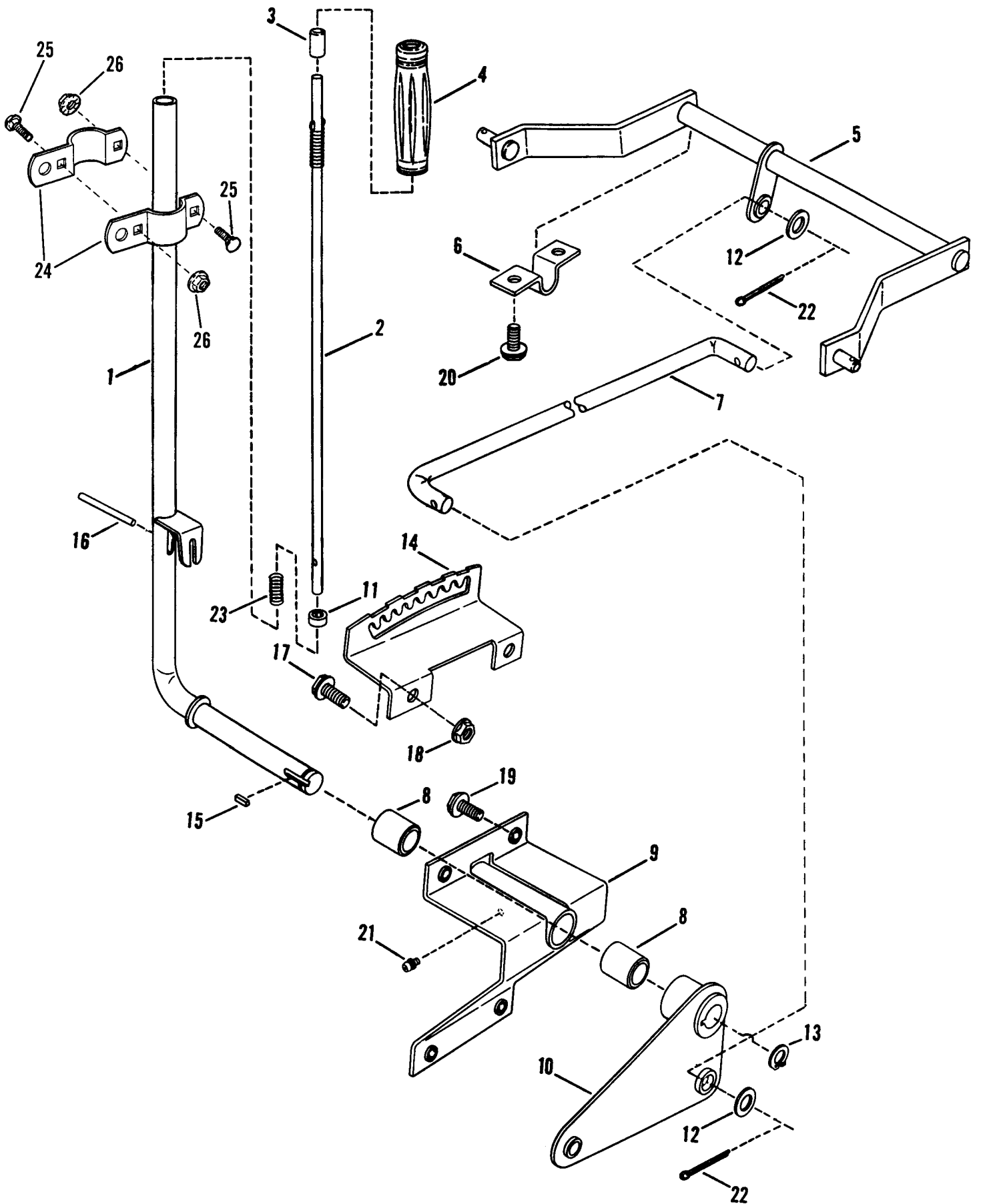
REAR WHEELS

① ASSEMBLY

ITEM	PART NO.	DESCRIPTION
1	5-1606	ASSEMBLY, Rear Tire & Rim (Includes items 2, 3 & 4)
2	1-9777	RIM, LT16 Rear Wheel
3	1-5326	TIRE, 21 x 7.00 x 10
4	1-2234	VALVE, Air
5	4-0529	HUB, Rear Wheel
6	1-1013	BOLT, Tapered
7	1-1201	NUT, 5/16-24 Lock
8	9-0367	BOLT, Lug (1/2-20 x 3/4" HHCS)
9	1-5266	HUB-CAP

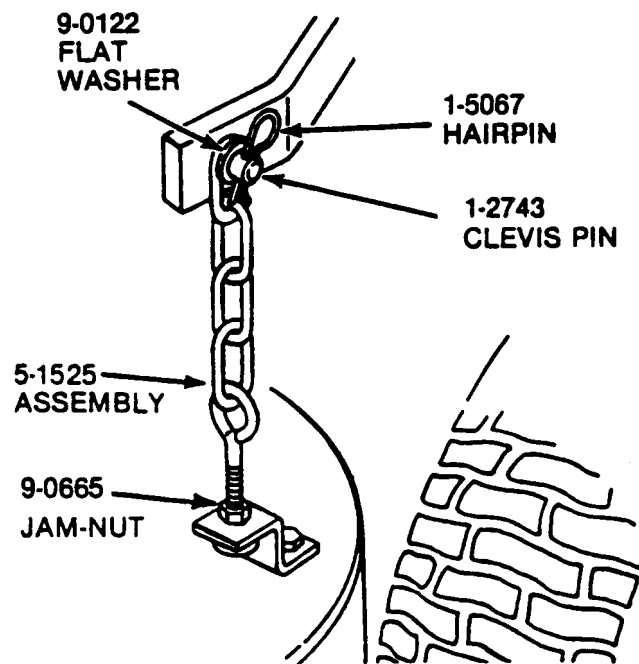


IMPLEMENT LIFT PARTS



IMPLEMENT LIFT PARTS

ITEM	PART NO.	DESCRIPTION
1	4-7868	ARM, Implement Lift Lever
2	3-2435	ROD, Lift Lever
3	1-4361	CAP, Lift Release
4	1-3948	GRIP, Handle
5	4-9725	ARM, Rear Lift (1985)(22")
6	3-2239	BRACKET, Hanger (2)
7	3-2266	LIFT-ROD
8	1-8289	BEARING, Sleeve (2)
9	5-1523	PIVOT ASSY, Lift Lever (Incl. Two item 8 & one item 21)
10	4-7806	LEVER-ARM
11	1-5019	PLUG, Rod
12	9-0250	WASHER, 1/2 SAE (2)
13	1-5020	RING, 7/8" Ext. Retaining
14	3-8063	QUADRANT, Lift Lever
15	1-3250	KEY, 1/4 x 1/4 Square
16	9-0881	PIN, 3/16 x 2" Groove
17	9-0612	BOLT, 3/8-16 x 3/4" Hex Flange Lock (2)
18	9-0613	NUT, 3/8-16 Hex Flange Lock
19	9-0361	SCREW, 5/16-18 x 5/8" Hex Washer Face Self-Tap (4)
20	9-0506	SCREW, 3/8-16 x 1/2" Hex Washer Face Self-Tap (4)
21	1-3864	FITTING, Lube
22	9-0041	PIN, 1/8 x 1" Cotter
23	1-4432	SPRING, Lift Handle
24	3-2763	TAB (2)
25	9-0005	BOLT, 1/4-20 x 1/2" Short Neck Carriage, Grade 5 (2)
26	9-0583	NUT, 1/4-20 Hex Flange Lock (2)

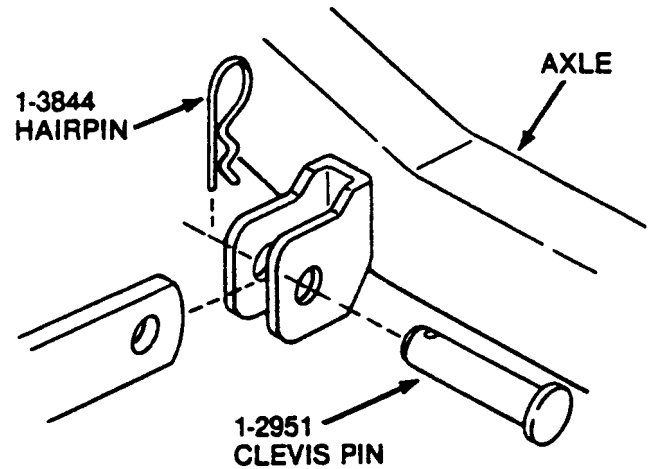


REAR LIFT ARM

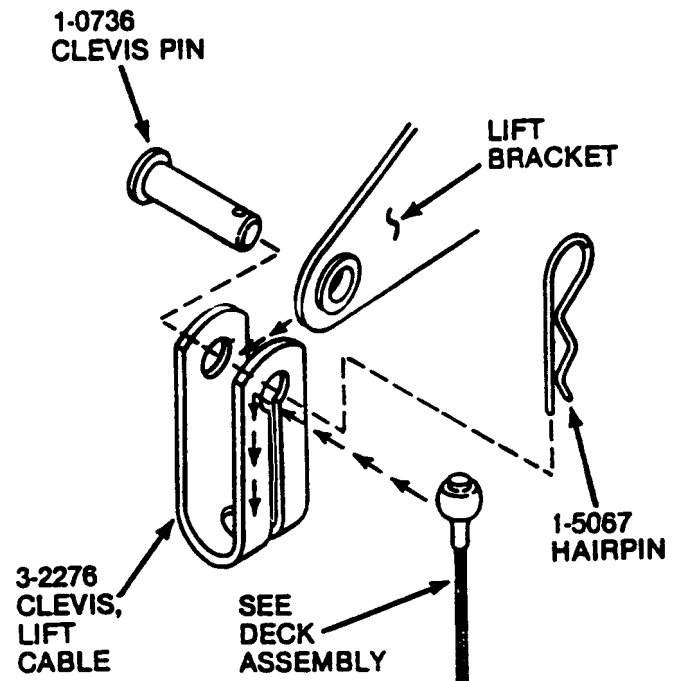
IMPLEMENT LIFT PARTS

DECK HANGER DETAIL

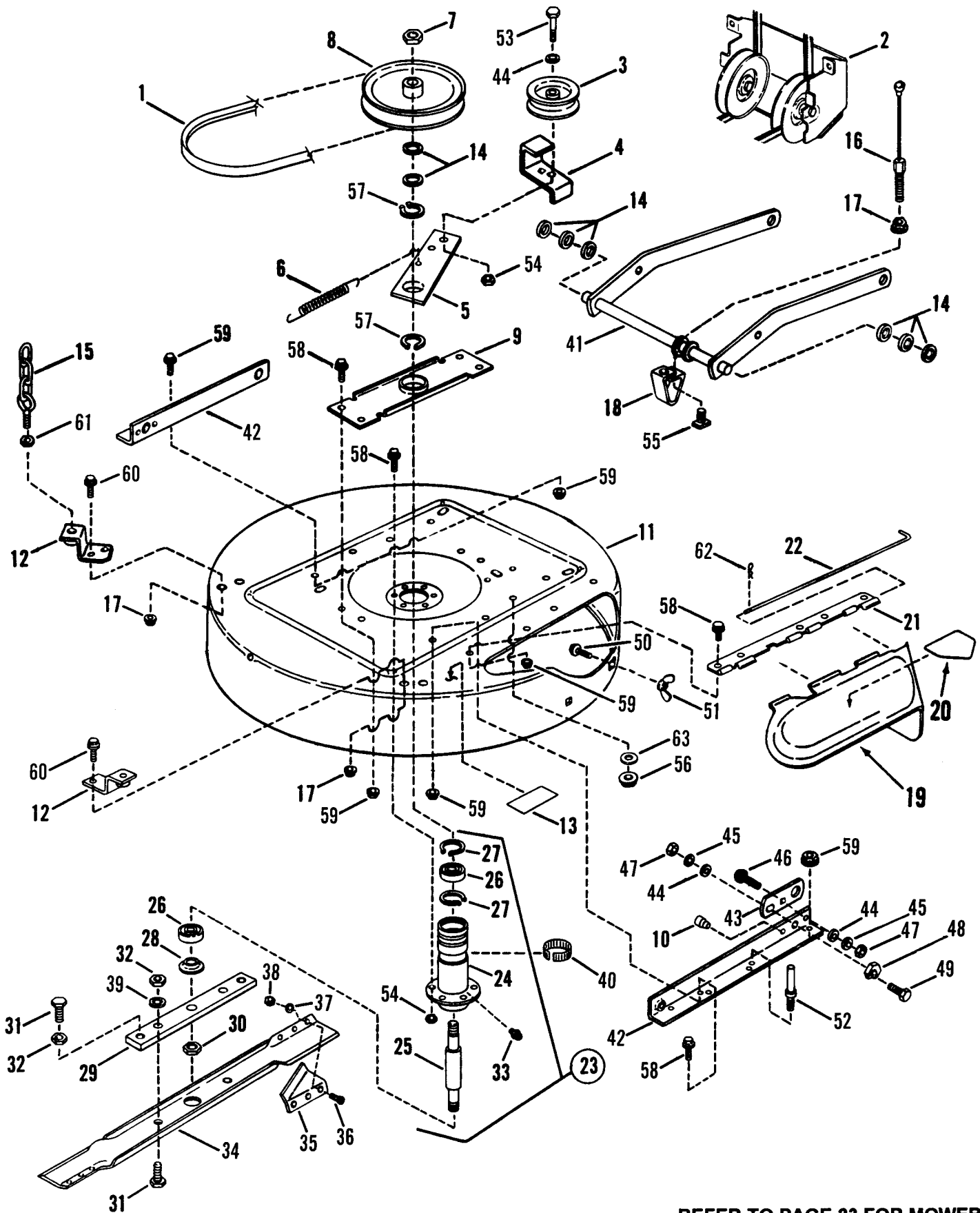
HARDWARE BAG 6-0591 (33,41,48" DECK)



FRONT LIFT ARM



FRONT LIFT BRACKET



REFER TO PAGE 23 FOR MOWER
TO TRACTOR HANGER DETAILS

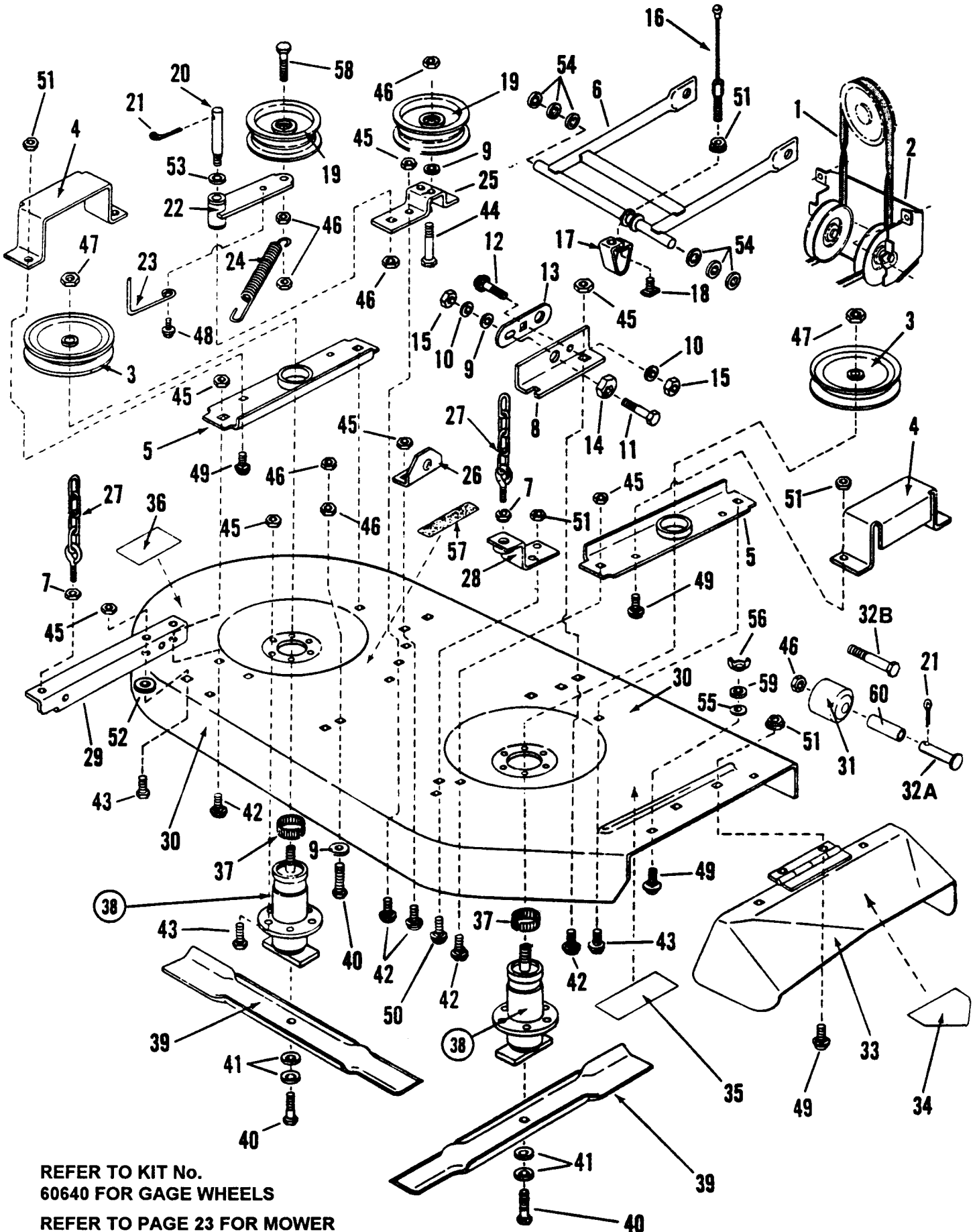
ATTACHMENT

33" MOWER (6-0828)

ITEM	PART NO.	DESCRIPTION	ITEM	PART NO.	DESCRIPTION
1	1-4799	BELT, 33" Mower Drive (A101)	34	1-9523	BLADE, 33" Cutter Deck
2	5-7362	ASSEMBLY, Mule Drive (See Page 30 for parts breakdown)	35	6-0480	KIT, Air Lift (Incl. two 3-7723 & six each items 36, 37, 38)
3	1-8574	PULLEY, Idler (Flat)(4.12O.D.)	36	9-0228	SCREW, 5/16-24 Machine (6)
4	3-2341	GUIDE, Belt	37	9-0391	WASHER, 5/16 Internal Tooth Lock (6)
5	4-7841	ARM, Idler	38	9-0223	NUT, 5/16-24 Hex (6)
6	1-4405	SPRING, Belt Tension	39	9-0509	WASHER, 1/2" Internal Tooth Lock (2)
7	1-0027	NUT, 3/4-16 Hex Jam	40	1-2670	RING, Tolerance
8	1-8581	PULLEY, 8" O.D.	41	4-7870	WELDMENT, Front Lift Arm
9	3-8018	BRACE, Spindle	42	3-8194	RAIL- 33"
10	1-4756	BUMPER BUTTON	43	3-2432	LINK- ADJUSTMENT
11	3-5068	DECK, 33" Cutter	44	9-0122	WASHER, 3/8 Flat (3)
12	5-1533	ASY, Bracket Rear Lift (2)	45	9-0118	WASHER, 3/8 Split Lock
13	1-4416	DECAL, Caution, (Deflector/Adapter)	46	9-0850	3/8-16 BOLT, x 3/4" Carriage
14	1-0935	WASHER, Shim (2)	47	9-0130	NUT, 3/8-16 Hex (2)
15	5-1525	ASSEMBLY, 3/8 Bolt-Chain (2)	48	1-5012	RING, Adjustment
16	1-4355	CABLE, Front Lift (8.0")	49	9-0563	SCREW, 3/8-16 x 1" HHC (2)
16A	1-5629	CABLE, Front Lift (8.32")	50	9-0001	BOLT, 5/16-18 x 3/4" Short Neck Carriage, Grade 5
17	9-0585	NUT, 5/16 18 Hex Fl. Lock (5)	51	9-0492	WING-NUT, 5/16-18
18	3-8043	BRACKET, Front Lift Hanger	52	1-4583	STUD, Deck Stop
19	5-1456	DEFLECTOR (Incl. item 20)	53	9-0164	SCREW, 3/8-24 x 1-1/2" Hex Head Cap, Grade 2
20	1-3871	DECAL, Danger (Cut Finger)	54	9-0289	NUT, 3/8-24 Hex Center Lock
21	3-9586	HINGE, Side Chute	55	9-0388	T-NUT, 5/16-18
22	3-2323	PIN, Hinge	56	9-0155	NUT, 3/8-24 Hex
23	5-9619	ASSEMBLY, Spindle (Includes items 24 thru 33)	57	1-0740	RING, Retaining (2)
24	5-1529	HOUSING, Spindle (Includes #33)	58	9-0612	BOLT, 3/8-16 x 3/4" Hex Flange Lock (17)
25	2-7631	SPINDLE, 33" Mower (7.75")	59	9-0613	NUT, 3/8-16 Hex Flange Lock (17)
26	1-3313	BEARING, Spindle (2)	60	9-0721	BOLT, 5/16-18 x 1/2" Hex Flange Lock, Grade 5 (4)
27	1-2491	RING, Retaining	61	9-0665	NUT, 3/8-16 Hex Jam(2)
28	1-4407	WASHER, Spindle	62	1-5067	PIN, Hair Cotter
29	3-7751	HOLDER, Blade	63	9-0390	WASHER, 3/8 Int. Tooth Lock
30	9-0356	NUT, 5/8-18 Hex Ctr. Lock			
31	9-0392	SCREW, 1/2-20 x 1" Hex Head Cap, Grade 5 (4)			
32	9-0559	NUT, 1/2-20 Hex Jam (4)			
33	1-0817	FITTING, Lube (2)			

41" MOWER

ATTACHMENT

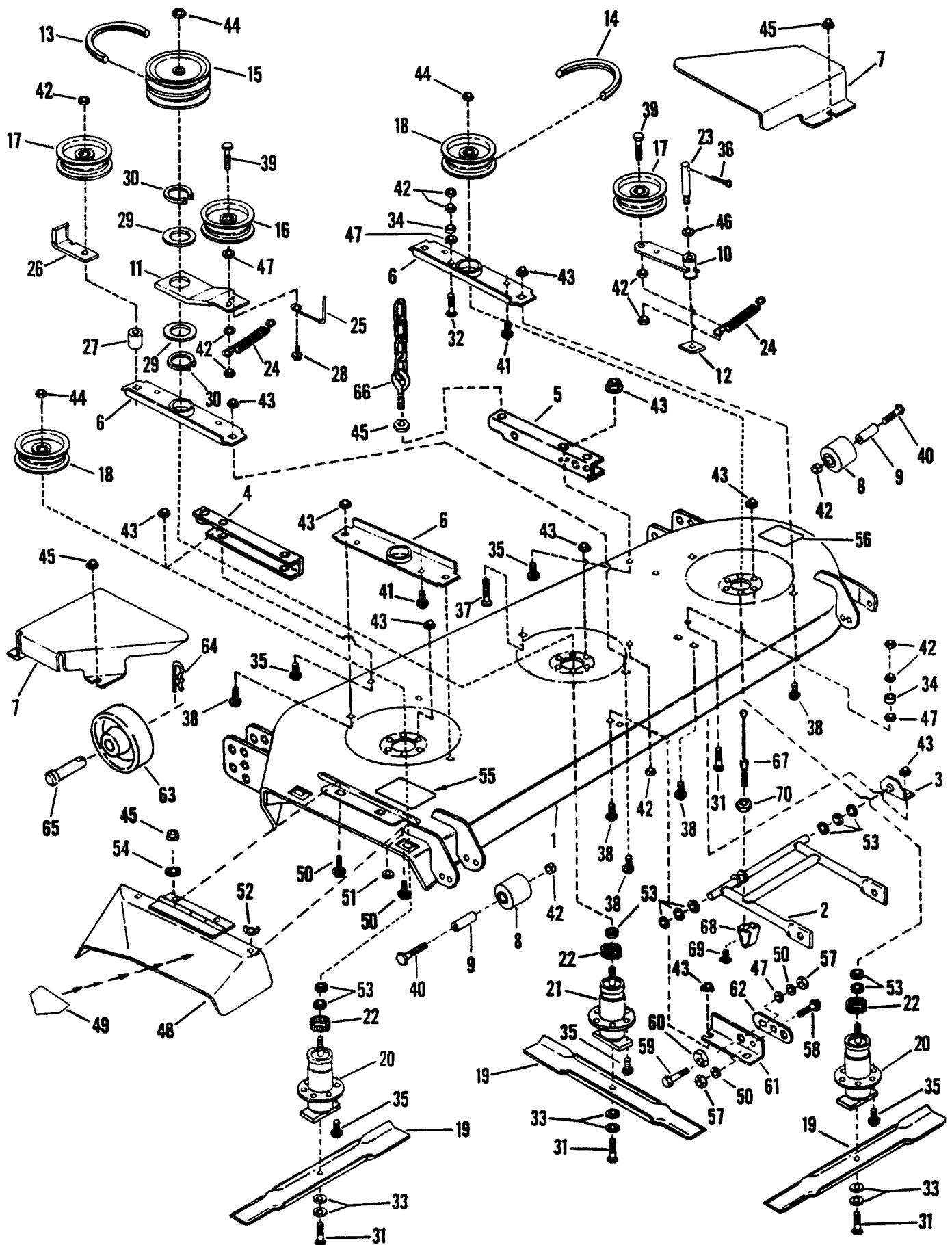


REFER TO KIT No.
60640 FOR GAGE WHEELS
REFER TO PAGE 23 FOR MOWER
TO TRACTOR HANGER DETAILS

MANUAL No. 06514 (3/97)

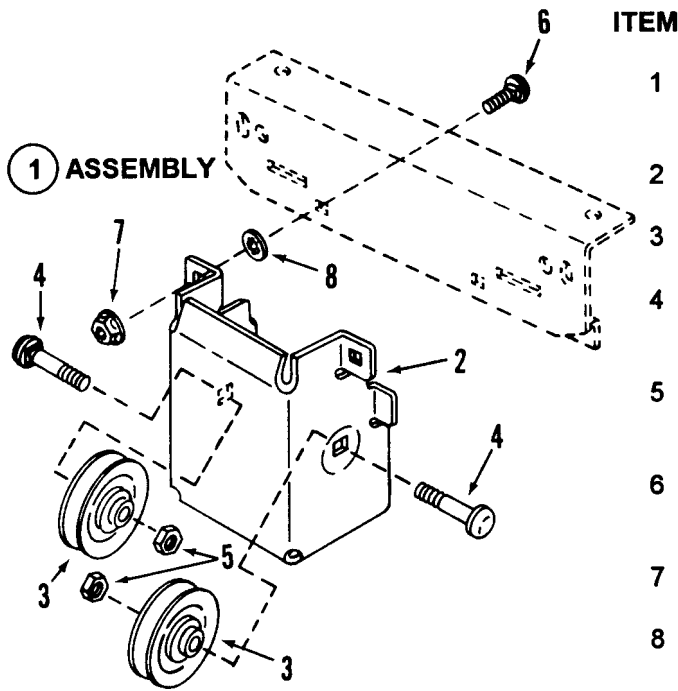
LT 12 & LT 16 SERIES 2

ITEM	PART NO.	DESCRIPTION	ITEM	PART NO.	DESCRIPTION
1	1-4800	BELT, 41" Mower (A137)	34	1-3871	DECAL, Danger (Cut Finger)
2	5-7362	ASSEMBLY, Mule Drive (See pg. 30 for part breakdown)	35	1-4852	DECAL, Caution (Deflector)
3	1-4397	PULLEY, 5-3/4" O.D. (2)	36	1-4853	DECAL, Caution (Rot. Blades)
4	3-8080	GUARD, Pulley (2)	37	1-2670	RING, Tolerance, 3/4" (2)
5	3-8078	BRACE, Spindle (2)	38	5-1473	ASY, Spindle (refer to pg. 28)
6	4-9724	ASY, Front Lift Arm	39	1-9710	BLADE, 21" Cutter (2)
7	9-0665	JAM-NUT, 3/8-16 Hex (2)	40	9-0824	SCREW, 3/8-24 x 1-1/4" Hex Head Cap, Grade 5 (3)
8	3-8181	BRACKET, Right Front	41	1-2063	CONE-WASHER (4)
9	9-0122	WASHER, 3/8 Flat (3)	42	9-0136	BOLT, 3/8-16 x 3/4" Square Neck Carriage, Grade 2 (9)
10	9-0118	WASHER, 3/8 Split Lock	43	9-0612	BOLT, 3/8-16 x 3/4" HFL (9)
11	9-0563	SCREW, 3/8-16 x 1" Hex Head	44	9-0483	SCREW, 3/8-24 x 1-3/4" Hex Head cap, Grade 5 (2)
12	9-0850	BOLT, 3/8-16 x 3/4" Square Neck Carriage, Grade 5	45	9-0613	NUT, 3/8-16 Hex Fl. Lock (18)
13	3-2432	LINK, Adjustment	46	9-0289	NUT, 3/8-24 Hex Ctr. Lk.(12)
14	1-5012	RING, Adjustment	47	9-0820	NUT, 3/4-16 Jam Lock (2)
15	9-0130	NUT, 3/8-16 Hex (2)	48	9-0741	SCREW, 1/4-20 x 5/8" HWST
16	1-4355	CABLE, Front Lift	49	9-0799	BOLT, 5/16-18 x 5/8" Square Neck Carriage, Grade 5 (8)
17	3-8043	BRACKET, Fr. Lift Arm Hanger	50	9-0721	BOLT, 5/16-18 x 1/2" Hex Flange Lock, Grade 5 (2)
18	9-0388	T-NUT, 5/16-18	51	9-0585	NUT, 5/16-18 Hex Flange Lock, Grade 5 (11)
19	1-8585	PULLEY, 4.1 O.D. (2)	52	9-0600	WASHER, 7/16 SAE
20	1-4408	STUD, Idler (3/8-24)	53	9-0183	WASHER, 5/8 Flat
21	9-0041	COTTER-PIN, 1/8 x 1"	54	1-0935	WASHER, Spacer
22	5-1399	ASY, Idler Arm (Incl. two 1-4409 bushings & 1-3864)	55	1-1791	RETAINER, 5/16 Bolt (2)
23	1-4410	GUIDE, Belt	56	9-0375	WING-NUT, 5/16-18 (2)
24	1-4513	SPRING, Idler Arm	57	1-2929	PAD
25	3-8079	BRACKET, Idler	58	9-0167	SCREW, 3/8-24 x 2" Hex Head Cap, Grade 5
26	3-2297	BRACKET, Front Left Hanger	59	9-0187	WASHER, 5/16 Split Lock (2)
27	5-1525	ASY, 3/8 Bolt/Chain (2)	60	1-5272	SPACER (use with #32B)(2)
28	5-1532	BRKT, Rear Rt. Supp. (1985)			
29	5-7385	BRKT, Rear Left Supp.(1985)			
30	4-9960	MOWER DECK, 41"			
31	1-5273	WHEEL, GAGE (2)			
32A	1-4472	PIN, 1/2 O.D. (Gage Wheel, item 31, on early prod.) (2)			
32B	9-0859	SCREW, 3/8-24 x 3-3/4" Hex Head Cap, Grade 5 (2)			
33	5-1401	DEFLECTOR, (Side Chute) (Includes Decal, item 34)			



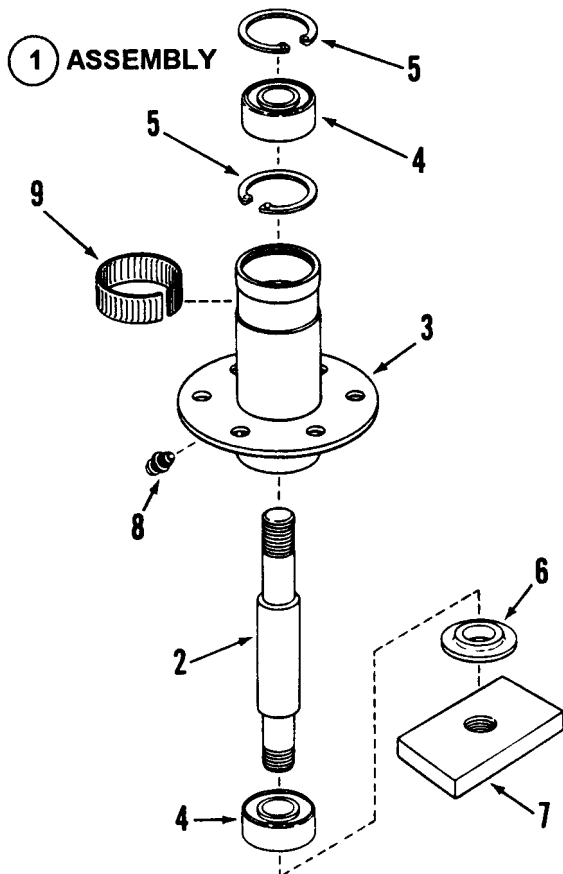
ITEM	PART NO.	DESCRIPTION	ITEM	PART NO.	DESCRIPTION
1	4-9961	DECK STRUCTURE- 48"	36	9-0041	PIN, 1/8 x 1" Cotter
2	4-9724	ARM, Front Lift	37	9-0169	SCREW, 3/8-24 x 2-1/2" Hex Head Cap
3	3-2297	BRACKET, Front Hanger	38	9-0136	BOLT, 3/8-16 x 3/4" Square Neck Carriage, Grade 2 (9)
4	5-7384	SUPPORT, Rear Right (1985)	39	9-0167	SCREW, 3/8-24 x 2" Hex Head Cap, Grade 5
5	5-7383	SUPPORT, Rear Left (1985)	40	9-0859	SCREW, 3/8-24 x 3-3/4" Hex Head Cap, Grade 5 (2)
6	3-8078	BRACE, Spindle (3)	41	9-0799	BOLT, 5/16-18 x 5/8" Square Neck Carriage, Grade 5 (4)
7	3-5054	GUARD, Pulley (2)	42	9-0289	NUT, 3/8-24 Hex Ctr. Lock (8)
8	1-5273	ROLLER (2)	43	9-0613	NUT, 3/8-16 Hex Fl. Lock (22)
9	1-5272	SPACER (2)	44	9-0820	NUT, 3/4-16 Hex Jam (3)
10	5-1475	ASSEMBLY, Idler Arm	45	9-0585	NUT, 5/16-18 Hex Fl. Lock (4)
11	3-8156	IDLER ARM, Center	46	9-0183	WASHER, 5/8 SAE
12	1-4805	WASHER- Square	47	9-0122	WASHER, 3/8 SAE (2)
13	1-4801	V-BELT, Drive- A92	48	5-1401	ASSEMBLY, Side Chute (Includes item 49)
14	2-4497	BELT, Deck- AA105	49	1-3010	DECAL, Danger
15	1-4545	PULLEY, Double (4-3/4")	50	9-0118	WASHER, 3/8 Split Lock (2)
16	1-8585	PULLEY, Flat Idler (4.8 O.D.)	51	9-0187	WASHER, 5/16 Split Lock (2)
17	1-8651	PULLEY, V-Idler (4-1/2" O.D.)	52	9-0375	WING-NUT, 5/16-18 (2)
18	1-4544	PULLEY, 4-3/4" O.D. (2)	53	1-0935	WASHER, 3/4 I.D. (4)
19	1-9733	BLADE, 16.5 (3)	54	1-1791	RETAINER, 5/16 Bolt (2)
20	5-1473	ASSEMBLY, Spindle (2) (See page 30 for breakdown)	55	1-4852	DECAL, Caution
21	5-1528	ASSEMBLY, Spindle (See page 31 for breakdown)	56	1-4853	DECAL, Caution
22	1-2670	TOLERANCE RING, 3/4" (3)	57	9-0130	NUT, 3/8-16 Hex (2)
23	1-4408	IDLER STUD	58	9-0850	BOLT, 3/8-16 x 3/4" Short Square Neck Carr., Gr. 2
24	1-4513	SPRING (2)	59	9-0563	SCREW, 3/8-16 x 1" Hex Head Cap, Grade 5
25	1-4410	BELT GUIDE	60	1-5012	RING, Adjustment
26	3-2368	BELT GUIDE	61	3-8181	BRACKET, Right Front
27	2-1945	SPACER	62	3-2432	LINK, Adjustment
28	9-0788	BOLT, 5/16-18 x 3/4" Short Square Neck, Grade 5	63	1-8445	WHEEL, 6.00" Gage (2)
29	1-4795	WASHER, Plastic (2)	64	1-3844	PIN, Hair Cotter (2)
30	1-0740	RING, 2" Ext. Retaining (2)	65	1-4857	PIN, 1/2 x 3" Clevis (2)
31	9-0824	SCREW, 3/8-24 x 1-1/4" Hex Head Cap, Grade 5 (4)	66	5-1525	ASSEMBLY, Bolt/Chain (2)
32	9-0164	SCREW, 3/8-24 x 1-1/2" Hex Head Cap, Grade 2	67	1-4355	CABLE, Front Lift (8")
33	1-2063	WASHER, Cone (6)	67A	1-5629	CABLE, Front Lift (8.32")
34	1-4527	SPACER (2)	68	3-8043	BRACKET, Front Lift Hanger
35	9-0612	BOLT, 3/8-16 x 3/4" Hex Flange Lock (13)	69	9-0388	T-NUT, 5/16-18
			70	9-0665	NUT, 3/8-16 Hex Jam (2)

MULE DRIVE ASSEMBLY



ITEM	PART NO.	DESCRIPTION
1	5-7362	ASSEMBLY, Mule Drive (Includes items 2 thru 8)
2	4-7860	BRACKET, Mule Drive
3	1-8651	PULLEY, Belt Idler (2)
4	9-0791	BOLT, 3/8-16 x 1-1/2" Short Square Neck Carriage, Grade 5 (2)
5	9-0499	NUT, 3/8-16 Hex Top Lock (2)
6	9-0850*	BOLT, 3/8-16 x 3/4" Square Neck Carriage, Grade 2
7	9-0613*	NUT, 3/8-16 Hex Flange Lock
8	1-3847*	RETAINER, 3/8 Bolt

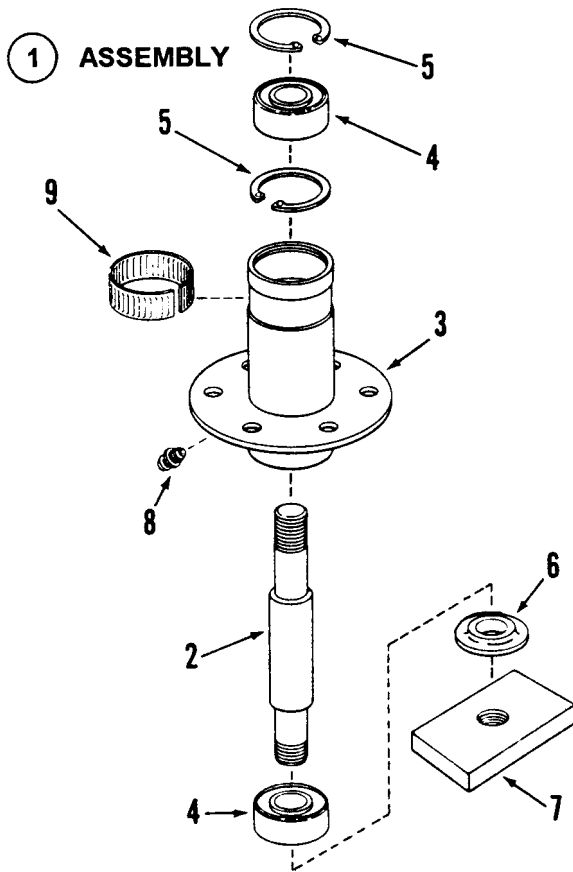
SPINDLE ASSEMBLY (41" & 48" OUTBOARD)



ITEM	PART NO.	DESCRIPTION
1	5-1473	ASSEMBLY, Spindle (Includes items 2 thru 7)
2	2-7632	SPINDLE (6.06")
3	5-1472	HOUSING, Spindle (Incl. Item 8)
4	1-3313	BEARING, Spindle (2)
5	1-2491	RING, Retaining (2)
6	1-4407	WASHER, Spindle
7	3-2294	HOLDER, Blade
8	1-0817	FITTING, Lube
9	1-2670*	RING, Tolerance

*Order Separately

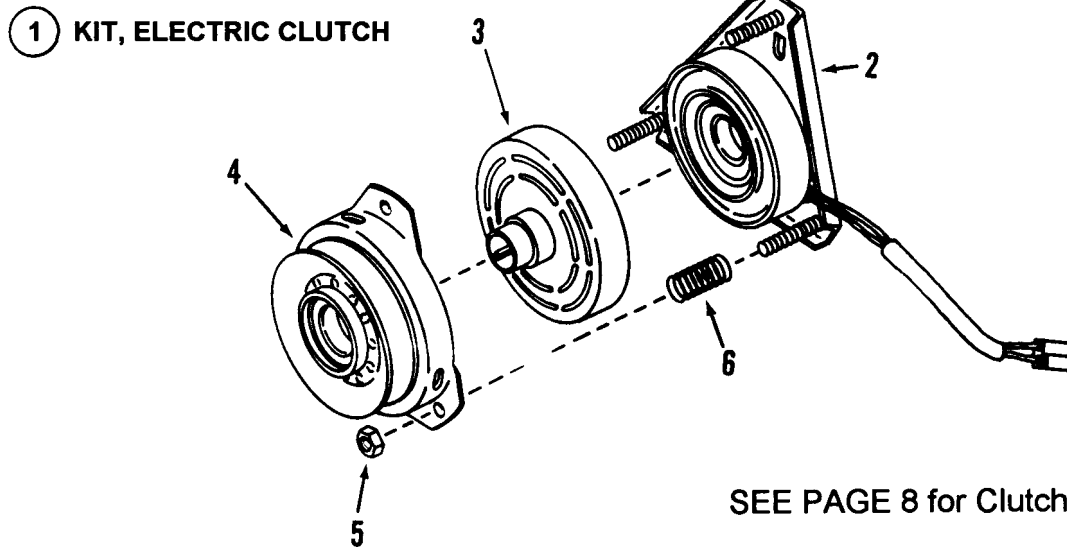
SPINDLE ASSEMBLY (48" CENTER)



ITEM	PART NO.	DESCRIPTION
1	5-1528	ASSEMBLY, Spindle (Includes Items 2 thru 8)
2	2-7641	SPINDLE (7.5")
3	5-1527	HOUSING, Spindle (Incl. Item 8)
4	1-3313	BEARING, Spindle
5	1-2491	RING, Retaining (2)
6	1-4407	WASHER, Spindle
7	3-2294	HOLDER, Blade
8	1-0817	FITTING, Lube
9*	1-2670	RING, Tolerance

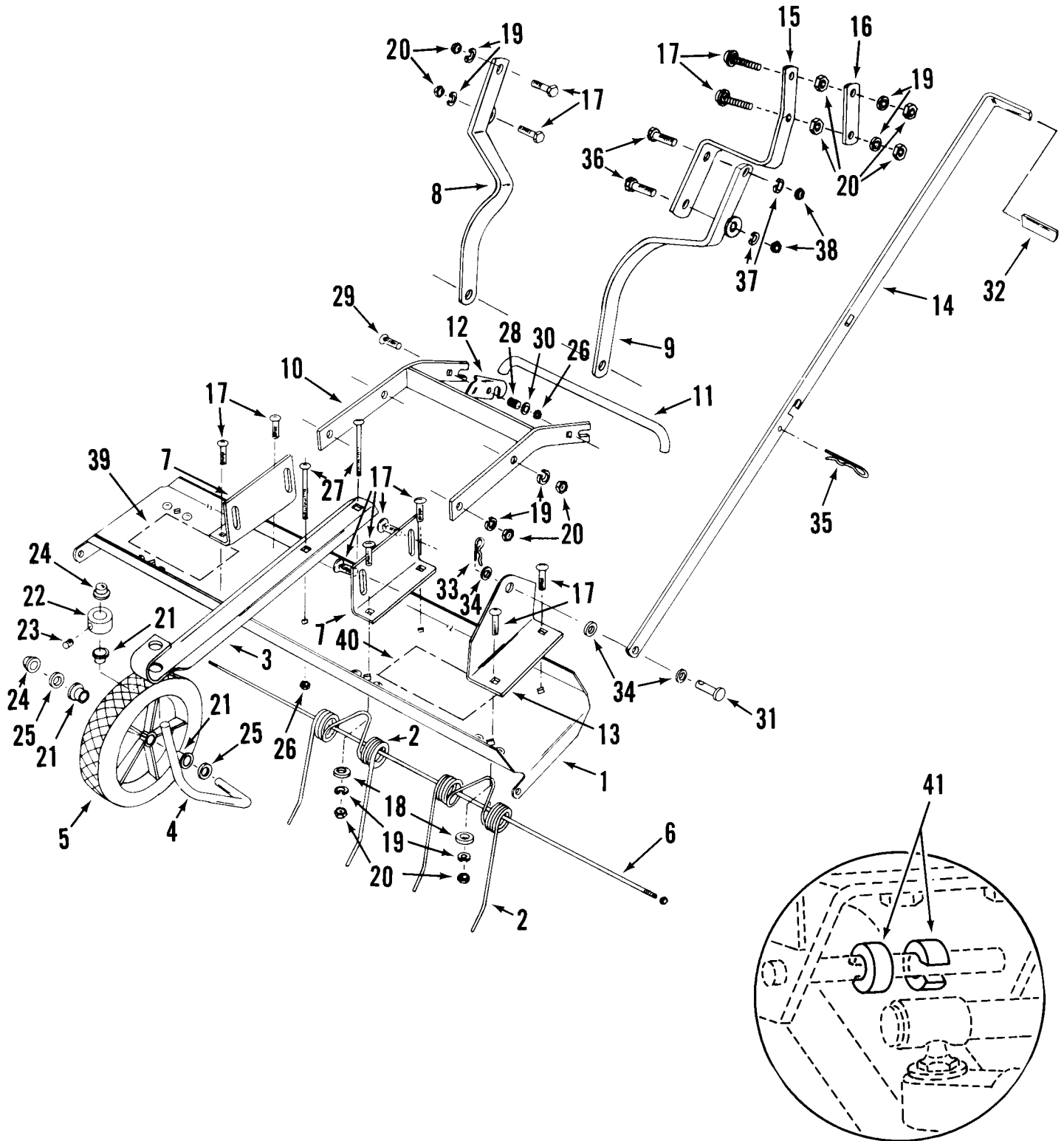
*Order Separately

ELECTRIC CLUTCH ASSEMBLY

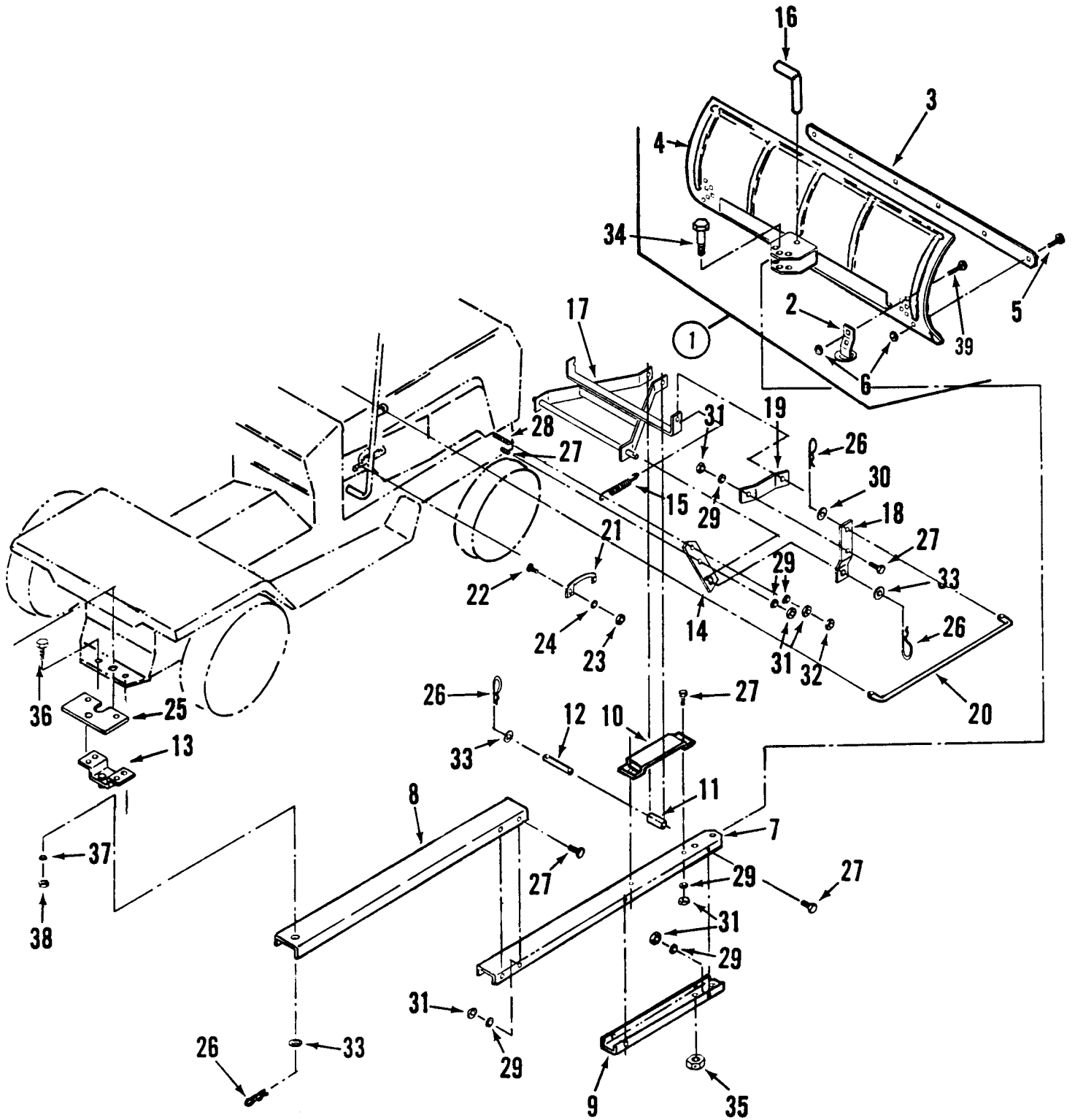


SEE PAGE 8 for Clutch Retaining Hardware

ITEM	PART NO.	DESCRIPTION
1	5-3679	KIT, Electric Clutch (Includes the Following items for Snapper #1-9982 Warner Electric Model I-5210-3)
2	1-4947	FIELD COIL (Includes Ball Bearing)
3	1-4948	ROTOR
4	1-4949	ASSEMBLY, Arm-Pulley (Includes Ball Bearing)
5	9-0854	NUT, 3/8-24 Hex Nylok (3)
6	1-4950	COIL SPRING (3)



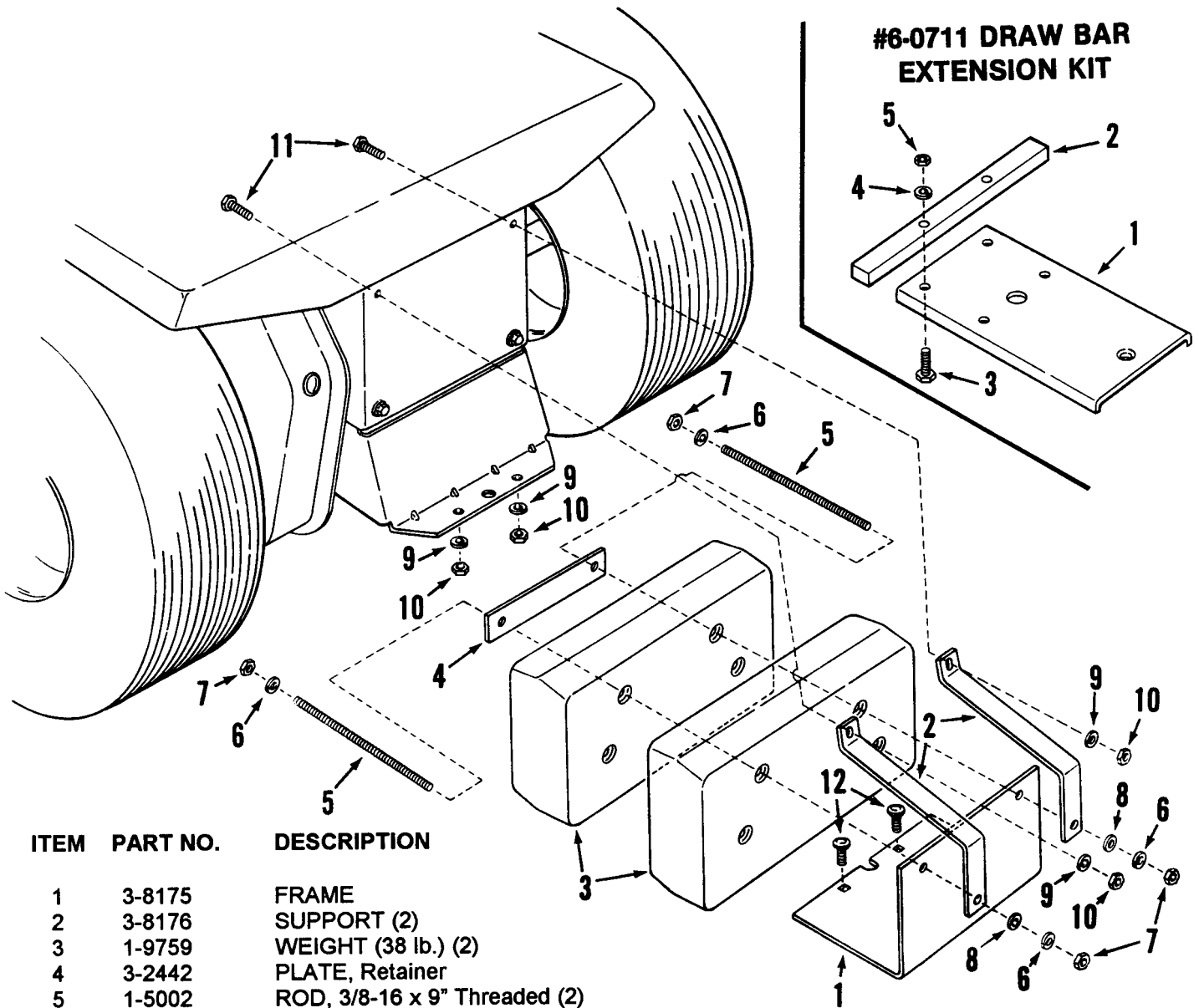
ITEM	PART NO.	DESCRIPTION
1	1-9947	TRAY, Tine
2	1-8491	TINE, Thatching (8)
3	1-8700	SUPPORT, Wheel
4	1-8493	AXLE
5	1-8189	WHEEL, Gauge
6	1-4110	ROD, Tine (2)
7	1-4778	BRACKET, Frame Mounting (2)
8	1-9750	BAR, Tractor Mounting, RH
9	1-9749	BAR, Tractor Mounting, LH
10	1-4781	ASSEMBLY, Main Frame Weldment
11	1-4783	ROD, Mounting
12**	1-4113	LATCH, Frame Mount (2)
13	1-8666	BRACKET, Lift
14	1-8664	HANDLE, Lift
15	1-8665	BRACKET, Lift Handle Support
16**	1-4780	STRAP, Handle Retaining
17*	9-0383	BOLT, 5/16-18 x 1" Square Neck Carriage, Grade 5 (17)
18*	1-4098	WASHER, Reinforcing (8)
19*	9-0187	WASHER, 5/16 Split Lock (17)
20*	9-0196	NUT, 5/16-18 Hex (19)
21**	1-4342	BEARING, Nyliner (4)
22**	1-4100	BUSHING, Wheel Adjustment
23**	1-4103	SCREW, 5/16-18 x 1/4" Set
24**	1-4101	NUT, 1/2" Push (2)
25*	9-0250	WASHER, 1/2 SAE (2)
26*	9-0761	NUT, 1/4-20 Hex Top Lock (8)
27*	9-0015	BOLT, 1/4-20 x 1-3/4" Square Neck Carriage (2)
28**	1-4114	SPRING, Compression (2)
29*	9-0078	BOLT, 1/4-20 x 1-1/4" Square Neck Carriage, Grade 2 (2)
30*	9-0598	WASHER, 1/4 SAE (2)
31**	1-4779	PIN, 5/16 Clevis
32**	1-4784	GRIP, Handle
33**	1-3113	COTTER, Hairpin
34*	9-0692	WASHER, 5/16 SAE (3)
35**	1-2867	COTTER, Hairpin
36*	9-0143	BOLT, 3/8-16 x 1-1/4" Hex Head Cap, Grade 5 (4)
37*	9-0118	WASHER, 3/8 Split Lock (4)
38*	9-0130	NUT, 3/8-16 Hex, Grade 5 (4)
39	1-4062	DECAL, Logo
40	1-4785	DECAL, Adjustment
41**	1-1780	RING, Spacer (2)
--	6-0648	BAG, Hardware for 6-0600 (Incl *marked items)
--	6-0656	BAG, Hardware for 6-0656 (Incl **marked items)



ITEM	PART NO.	DESCRIPTION
1	5-7361	ASSEMBLY, 42' Blade (Includes items 2 thru 6)
2	4-0445	STRUCTURE, Slide (2)
3	3-8145	SCRAPER
4	4-7859	BLADE
5	9-0850	BOLT, 3/8-16 x 3/4" Square Neck Carriage, Gr. 2 (9)
6	9-0546	NUT, 3/8-16 Hex Center Lock, Grade B or 5 (9)
7	3-6113	BEAM, Front
8	3-6114	BEAM, Rear
9^	3-8147	PLATE, Front Hitch
10^	3-8148	BRACKET, Lift
11^	2-1940	ROLLER, Lift
12^	2-1941	PIN, Lift Roller
13^	4-0521	HITCH WELDMENT, Rear Yoke
14^	3-2390	PLATE, Side Support (2)
15^	1-4405	SPRING, Lift Assist (2)
16^	3-2391	PIN, Latch
17^	4-9718	STRUCTURE, Lift Yoke
18^	3-8152	ARM, Lift
19^	3-8150	LINK
20	2-1938	ROD, Operating
21^	3-2397	PLATE, Quadrant Lockout (Includes Items 22 thru 24)
22*	9-0803	BOLT, 1/4-20 x 5/8" Flat Head Carriage (2)
23*	9-0063	NUT, 1/4-20 Hex (2)
24*	9-0053	WASHER, 1/4 Internal Tooth Lock (2)
25	3-2452	DRAWBAR, Short Auxilliary
26	1-3844	PIN, Hair Cotter (6)
27*	9-0563	SCREW, 3/8-3/8-16 x 1" Hex Head Cap, Grade 5 (14)
28*	9-0655	SCREW, 3/8-16 x 1-1/2" Hex head Cap, Grade 5 (2)
29*	9-0118	WASHER, 3/8 Split Lock (16)
30*	9-0122	WASHER, 3/8 Flat (2)
31*	9-0130	NUT, 3/8-16 Hex, Grade 5 (16)
32	9-0546	NUT, 3/8-16 Hex Center Lock, Grade B or 5 (2)
33*	9-0150	WASHER, 1/2 Flat (4)
34*	9-0017	SCREW, 1/2-20 x 2-3/4" Hex Head Cap
35*	9-0393	NUT, 1/2-20 Nyloc
36	9-0206	SCREW, 5/16-18 x 3/4" Hex Head Cap, Grade 2 (2)
37*	9-0187	WASHER, 5/16 Split Lock (2)
38*	9-0196	NUT, 5/16-18 Hex (2)
39	9-0747	BOLT, 3/8-16 x 1" Square Neck Carriage, Grade 2 (4)
40^	6-0634	BAG, Hardware (Includes * marked items)
41	6-0633	PARTS BOX for 6-0629 (Includes ^ marked items)

#6-0659 REAR WEIGHT KIT

ATTACHMENT



ITEM	PART NO.	DESCRIPTION
1	3-8175	FRAME
2	3-8176	SUPPORT (2)
3	1-9759	WEIGHT (38 lb.) (2)
4	3-2442	PLATE, Retainer
5	1-5002	ROD, 3/8-16 x 9" Threaded (2)
6	9-0118	WASHER, 3/8 Split Lock (2)
7	9-0130	NUT, 3/8-16 Hex (4)
8	9-0122	WASHER, 3/8 Flat SAE (2)
9	9-0187	WASHER, 5/16 Split Lock (4)
10	9-0196	NUT, 5/16-18 Hex (4)
11	9-0209	SCREW, 5/16-18 x 1" HHC Gr. 2 (2)
12	9-0208	BOLT, 5/16-18 x 1" Sq. Neck Carriage (2)

#6-0711 DRAW BAR EXTENSION KIT

ITEM	PART NO.	DESCRIPTION
1	3-8204	DRAWBAR, Long Auxilliary
2	3-2454	SUPPORT, Cross
3	9-0627	SCREW, 5/16-18 x 1-1/4" HHC Gr. 5 (4)
4	9-0187	WASHER, 5/16 Split Lock (4)
5	9-0196	NUT, 5/16-18 Hex (4)

Parts Manual for

SNAPPER[®]

**LT 12 & LT 16 SERIES 2 LAWN
TRACTORS**

SNAPPER McDonough, GA., 30253 U.S.A.