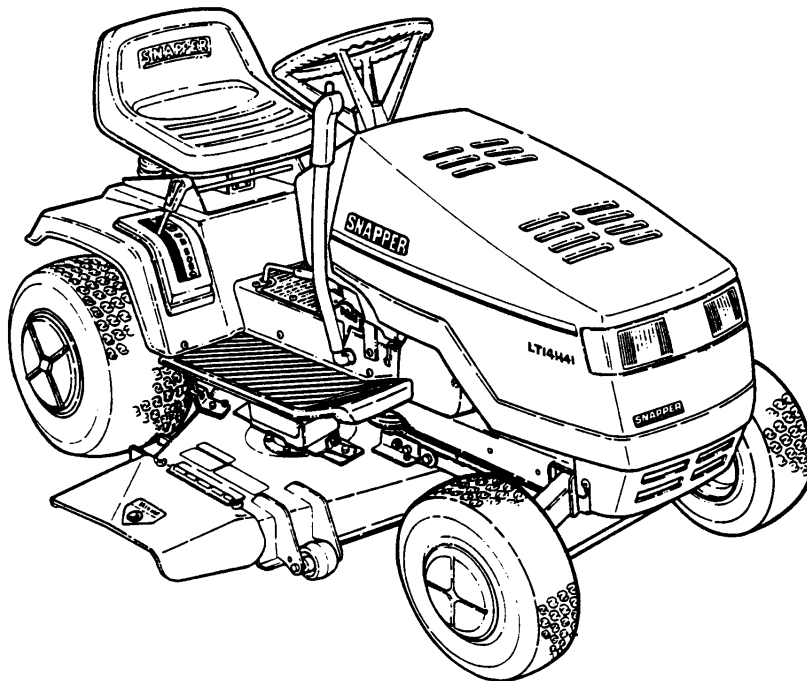


Parts Manual for
SNAPPER®

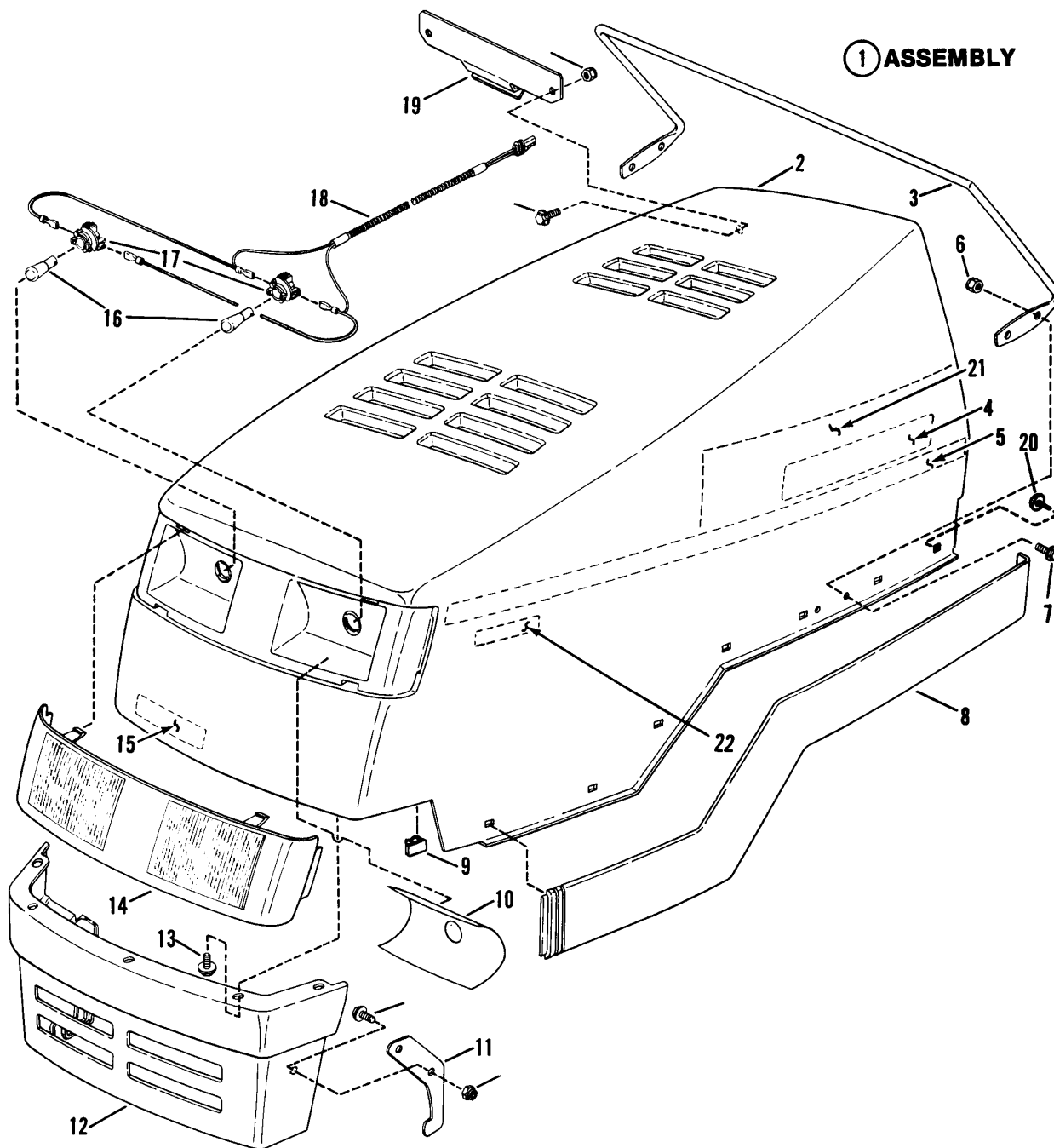
**LAWN TRACTOR MANUAL CLUTCH
HYDRO DRIVE (1991)
SERIES 1**

MODEL
LT14H331KV
LT14H411KV



SNAPPER McDonough, GA, 30253 U.S.A.

PAGE	GROUP
4	Hood, Bumper, Headlights
6	Wheels - Front
8	Wheels - Rear
10	Engine Base & Drive Parts
14	Transmission Support & Components
16	Transmission Components
18	Dash Panel
20	Steering & Front Axles
22	Seat, Rear Fender
24	Clutch, Brake & Transmission Controls
28	Transmission Group
32	Implement Lift Parts
34	Blade Engagement
36	33" Cutting Deck, Belts, Brakes
42	41" Cutting Deck
46	Belt, Blade Brake, 41" Deck
48	Fuel Tank, Battery
50	Electrical System
52	Schematic Electrical System (Kohler Engines Only)

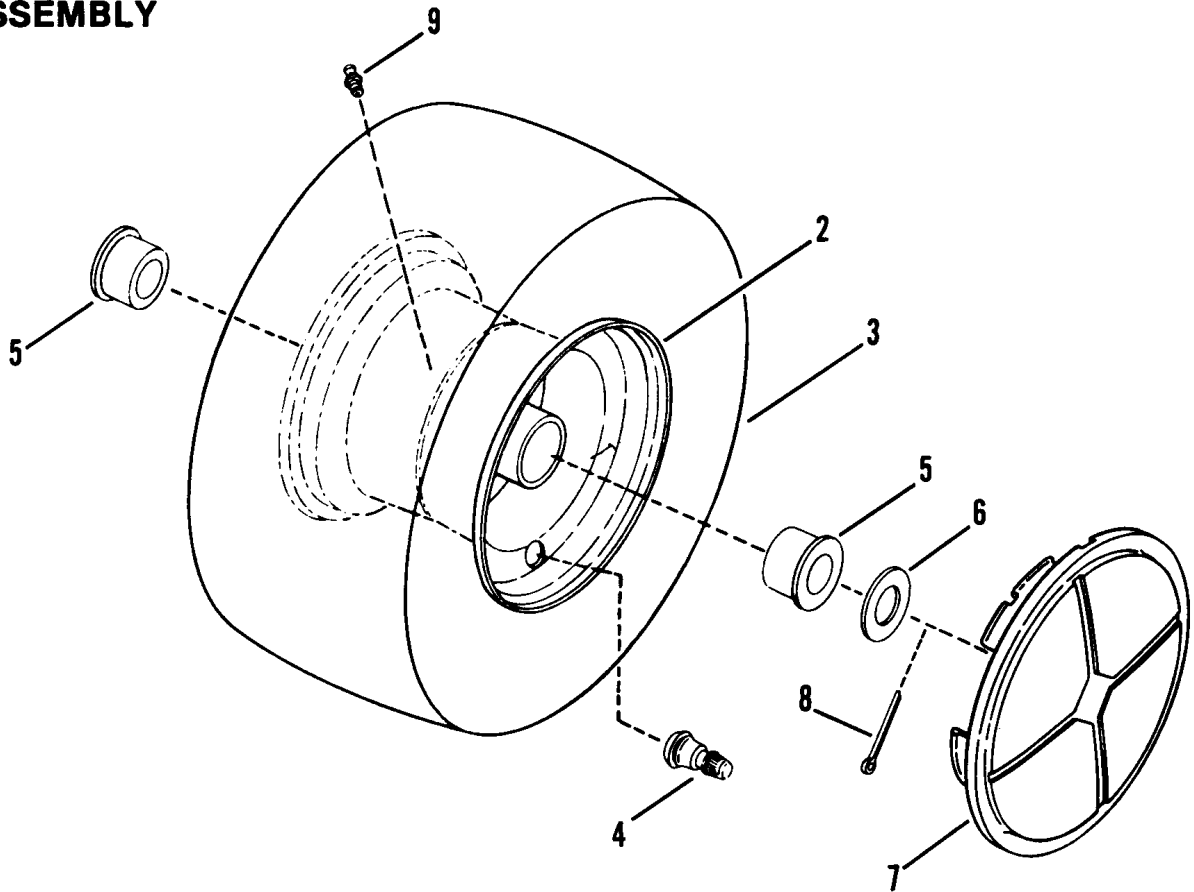


Hood, Bumper, Headlights

Item	Part No	Qty	Description	Note
1	7063298	1	KIT, Hood Assembly, Sloped Mozart	<i>Was 61082 or 61383 (Includes 2 thru 21)</i>
2		1	HOOD (No longer available)	<i>Was 19411</i>
3	7016766	1	ROD, Hood Latch	
4	7024980	2	LOGO-SNAPPER, Molded	<i>Was 16974 or 36438</i>
5	7019397	1	DECAL, Stripe (R.H.)	
	7019398	1	DECAL, Stripe (L.H. Shown)	
6	7076978	10	LOCKNUT, 1/4-20 Hex	
7	7090999	10	SCREW, 1/4-20 x 5/8 Torx, Truss Head	
8		1	BUMPER (R.H.)(No longer available)	<i>Was 19412</i>
		1	BUMPER (L.H. Shown)(No longer available)	<i>Was 19413</i>
9	7012691	2	CLIP, Wiring Harness	
10	7017174	1	DECAL, Reflect (R.H.)	
	7017175	1	DECAL, Reflect (L.H. Shown)	
11	7033265	2	BRACKET, Latch Hook	
12		1	BUMPER, Front (No longer available)	<i>Was 19414</i>
13	7091106	5	SCREW, #12 x 1/2"	
14	7024893	1	LENS, Clear Bezel	<i>Was 19415</i>
15	7016876	1	LOGO-SNAPPER, Molded	
16	7016756	2	BULB, Headlights, 1156	
17	7016757	2	SOCKET, Headlight Bulb	
18	7016765	1	HARNESS, Headlight Wiring	
19	7017359	1	CLIP, Spring Latch	
20	7017750	2	FASTENER, Ratchet	
21	7017787	1	HEAT SHIELD, Hood	
22	7016819	2	DECAL, Model LT14H33	
	7016820	2	DECAL, Model LT14H41	

Footnotes:

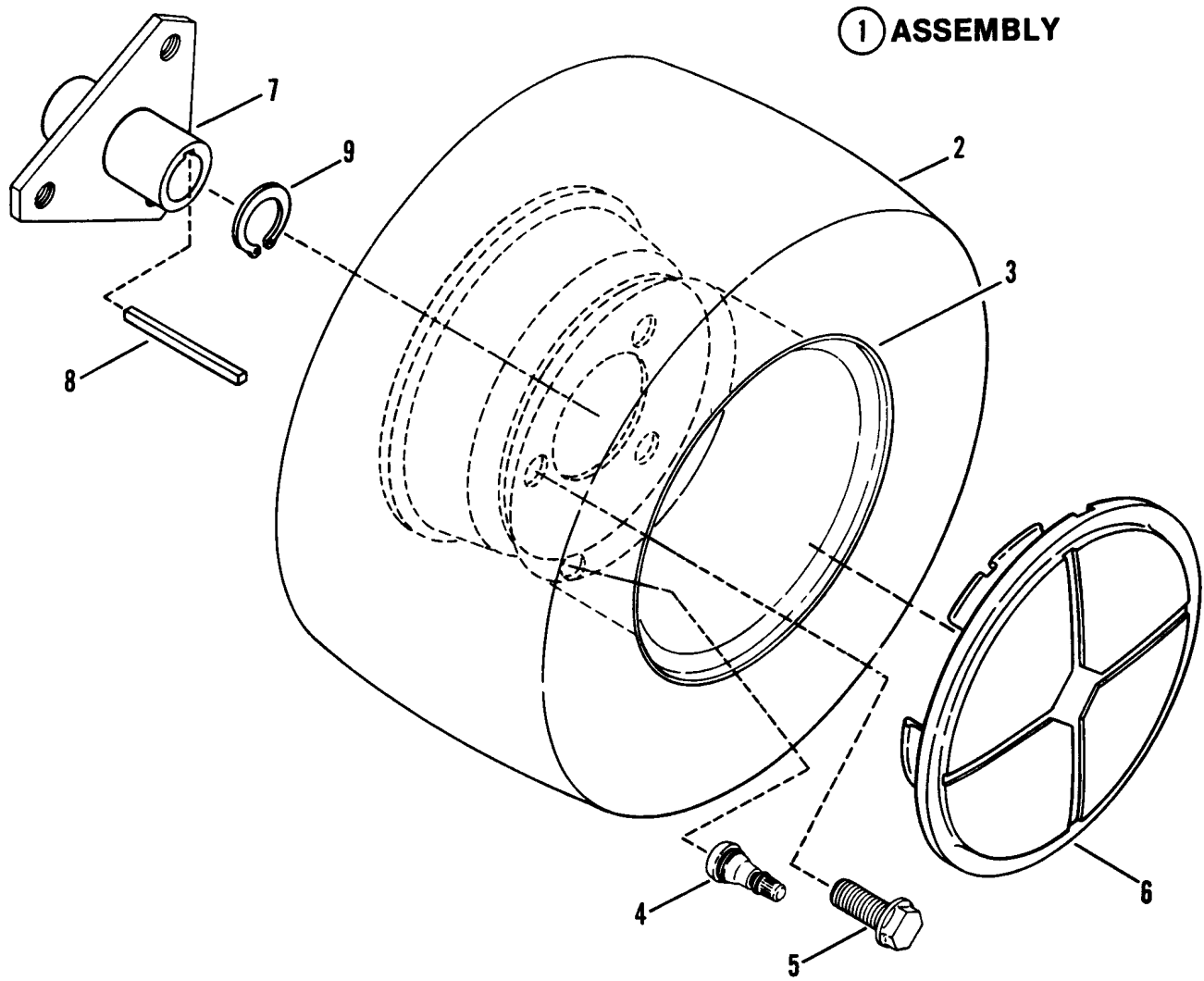
① ASSEMBLY



Wheels - Front

Item	Part No	Qty	Description	Note
1	7058517	2	ASSEMBLY, Front Tire & Rim 15x5.50-6.00	<i>Was 52185 (Includes Items 2, 3 & 4)</i>
2	7022772	2	RIM, 6 x 4.50	<i>Was 16739</i>
3	7072704	2	TIRE, 15-5.50 x 6	<i>Was 16740</i>
4	7012234	2	VALVE, Air (Snap-in)	
5	7014483	4	BEARING, Wheel Flanged PM .758 ID x 1.38 OD x 1.0 L	
6	7032027	2	WASHER .77 x 1.5 x .06	
7	7019417	2	WHEEL-COVER	
8	7091516	2	COTTER-PIN 5/32 x 1 YZ	<i>Was 90364</i>
9	7076998	2	FITTING, Lube 1/4-28 Tapered Thread	<i>Was 13876</i>

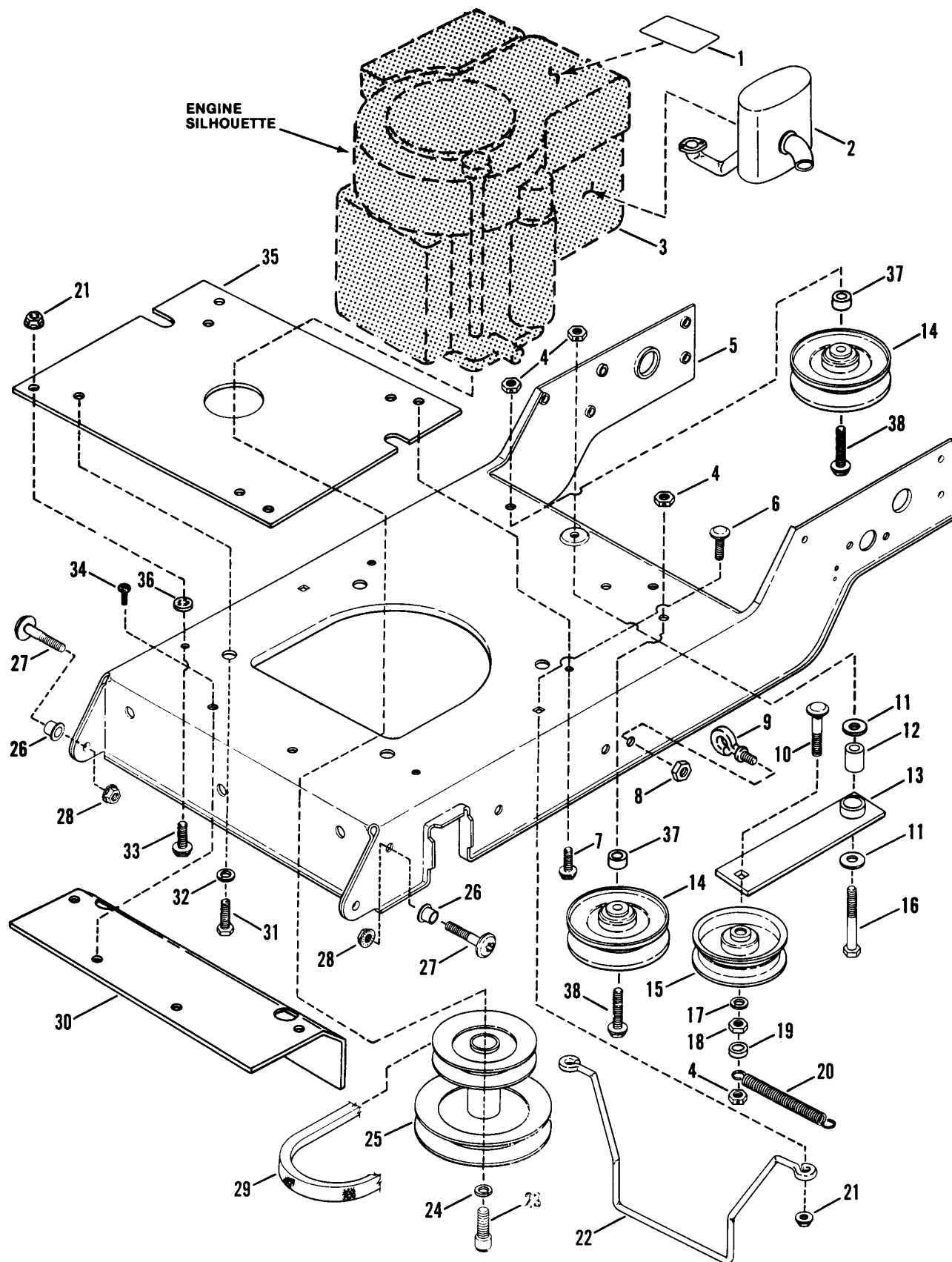
Footnotes:



Wheels - Rear

Item	Part No	Qty	Description	Note
1	7052187	2	ASSEMBLY, Rear Tire & Rim (41" Deck) (No longer available)	<i>Was 52187 (Included items 2, 3 & 4)</i>
	7052186	2	ASSEMBLY, Rear Tire & Rim (33" Deck) (No longer available)	<i>Was 52186 (Included items 2, 3 & 4)</i>
2	7016744	2	TIRE, 18x8.504	<i>(Used with 41" Deck)</i>
	7036488	2	TIRE, 18x6.504	<i>Was 16743 (Used with 33" Deck)</i>
3	7016742	2	RIM, 8x7	<i>(Used with 41" Deck)</i>
	7016741	2	RIM, 8x5.375	<i>(Used with 33" Deck)</i>
4	7012234	2	VALVE, Air (Snap-In)	
5	7091502	6	BOLT, 1/2-20x3/4" Lug	<i>Was 90367</i>
6	7019418	2	HUB-CAP	
7	7040720	2	HUB, Rear Wheel	
8	7017173	2	KEY, Square, 3/16x2-1/2"	
9	7012899	2	RING, Retaining EXT .75	<i>Was 12829</i>

Footnotes:

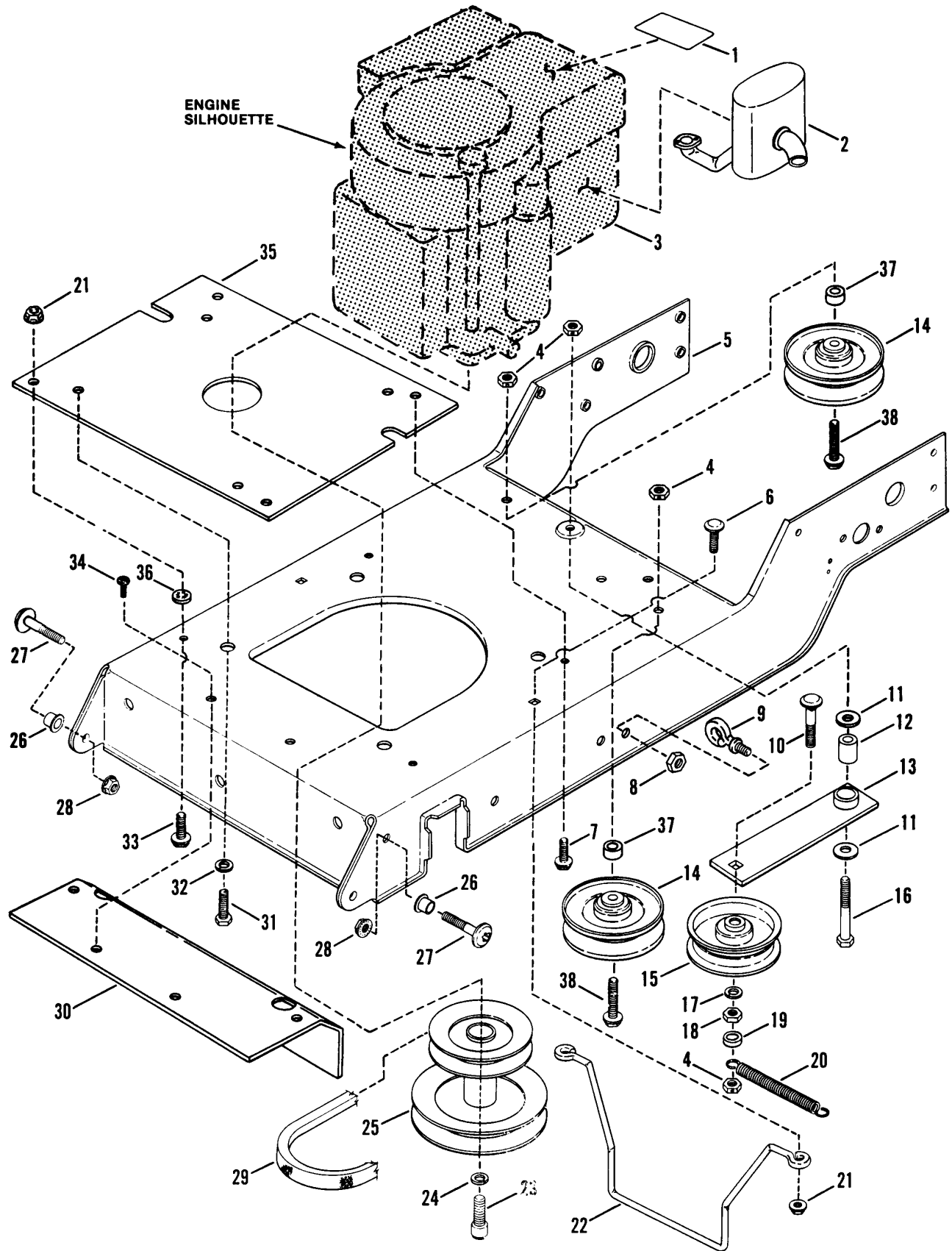


Engine Base & Drive Parts

Item	Part No	Qty	Description	Note
1	7017358	1	DECAL, Engine 14 HP OHV	
2	7017313	1	MUFFLER, Exhaust	
3		1	ENGINE, Kohler Model CV14S, Spec. PS1431	<i>(Purchase engine parts, other than those listed, from engine service outlets.)</i>
4	7091585	4	NUT, 3/8-16 Hex Center Lock	<i>Was 90546</i>
5	7033145	1	BASE, Engine	
6	7091508	2	BOLT, 5/16-18 x 3/4" Short Neck Carriage	<i>Was 90788</i>
7	7090595	2	BOLT, 5/16-18 x 3/4" Flange Lock	
8	7091575	1	LOCKNUT, 5/16-18 Hex	<i>Was 90184</i>
9	7014438	1	EYE-BOLT	
10	7091008	1	BOLT, 3/8-1B x 2-1/2" Short Neck Carriage	
11	7090517	2	WASHER, 3/8" Flat	<i>Was 90600</i>
12	7044752	1	BUSHING, Idler Arm .750 OD x .406 ID x .25 L	<i>Was 22062</i>
13	7040565	1	ARM, Idler	
14	7011029	1	PULLEY, Idler, 4" O.D.	
15	7023199	1	PULLEY, Idler, 3-3/4" O.D.	
16	7090629	2	BOLT, 3/8-16 x 2-1/4" Hex	
17	7090118	1	WASHER, 3/8 Split Lock	
18	7091302	1	NUT, 3/8-16 Hex	<i>Was 90130</i>
19	7014527	1	SPACER .623 OD x .38 ID x .25 L	
20	7027856	1	SPRING, Idler Arm	<i>Was 17807</i>
21	7091601	6	NUT, 5/16-18 Hex Flange Lock	<i>Was 90585</i>
22	7019042	1	GUIDE, Belt	<i>(42" & 48" Models Only)</i>
23	7090836	1	CAPSCREW, 7/18-20 x 1" Hex Socket Head	
24	7091301	1	LOCKWASHER, 7/16 Split	<i>Was 90247</i>
25	7019036	1	ASSEMBLY, Engine Pulley	
26	7012306	2	BUSHING	
27	7023198	2	SCREW, Shoulder, 3/8-16 x 1-5/8"	
28	7091619	2	LOCKNUT, 3/8-16 Hex Flange	<i>Was 90613</i>
29	7016724	1	V-BELT, Traction Drive, (111.6" EL) LT140H33, LT140H41, & RLT140H33	<i>(A111.6 Polyester Wrapped)</i>
30		1	AXLE SUPPORT (No longer available)	<i>Was 33100</i>
31	7077692	4	BOLT, M8-1.25 x 25mm Hex Head	
32	7090187	4	WASHER, 5/16 Split Lock	
33	7090661	2	BOLT, 5/16-18 x 1" Hex Flange Lock	
34	7091000	2	SCREW, 5/16-18 x 7/8" Truss Head (Torx)	<i>Was 91001</i>
35	7033107	1	SPACER, Kohler Engine	
36	7011791	2	RETAINER, 5/16 Bolt	
37	7016719	2	SPACER .750 OD x .390 ID x .5 L	

Footnotes:

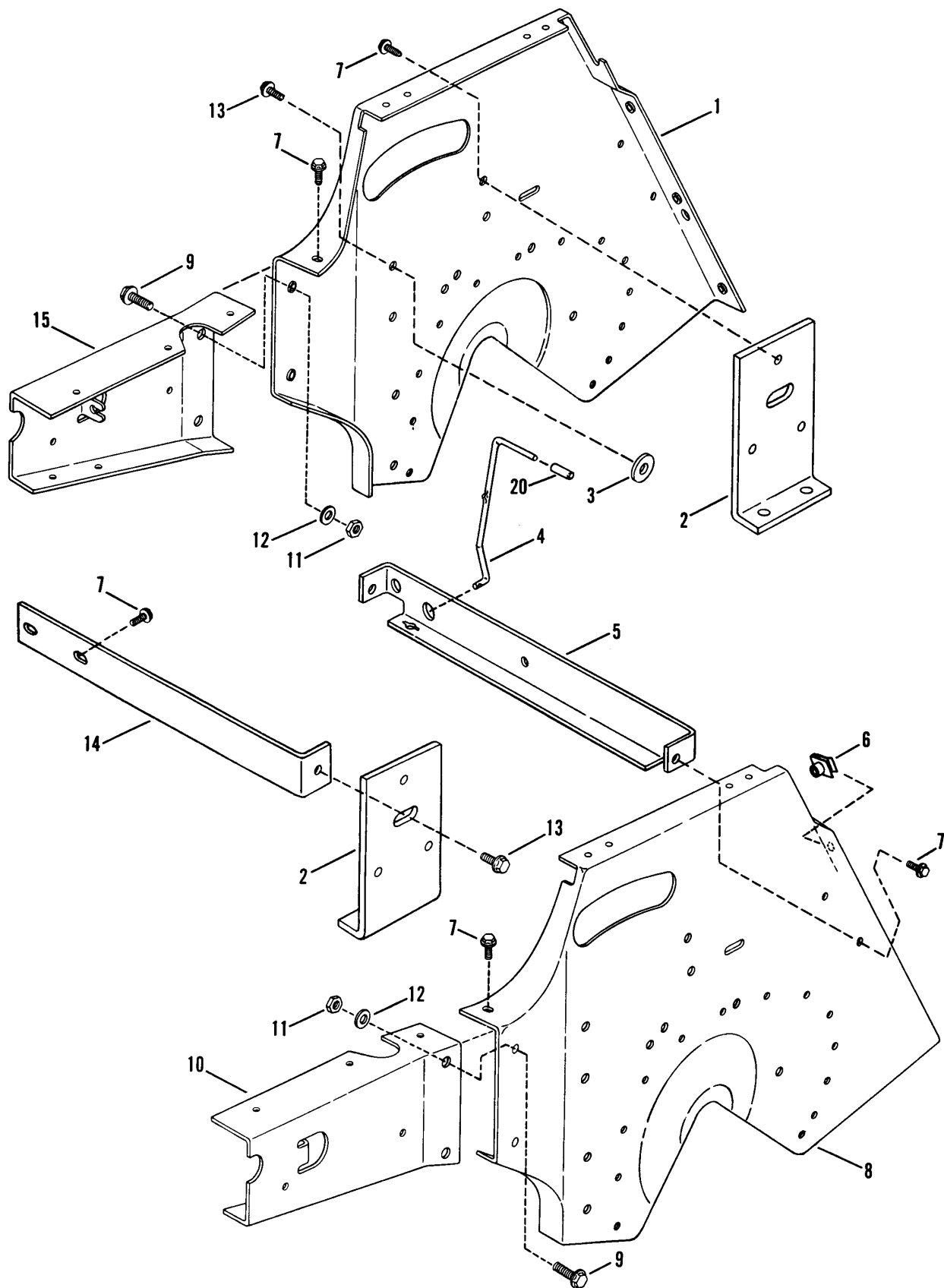
Engine Base & Drive Parts



Engine Base & Drive Parts

Item	Part No	Qty	Description	Note
38	7091580		BOLT, 3/8-16 x 1-3/4" Hex Flange Lock	<i>Was 90701</i>

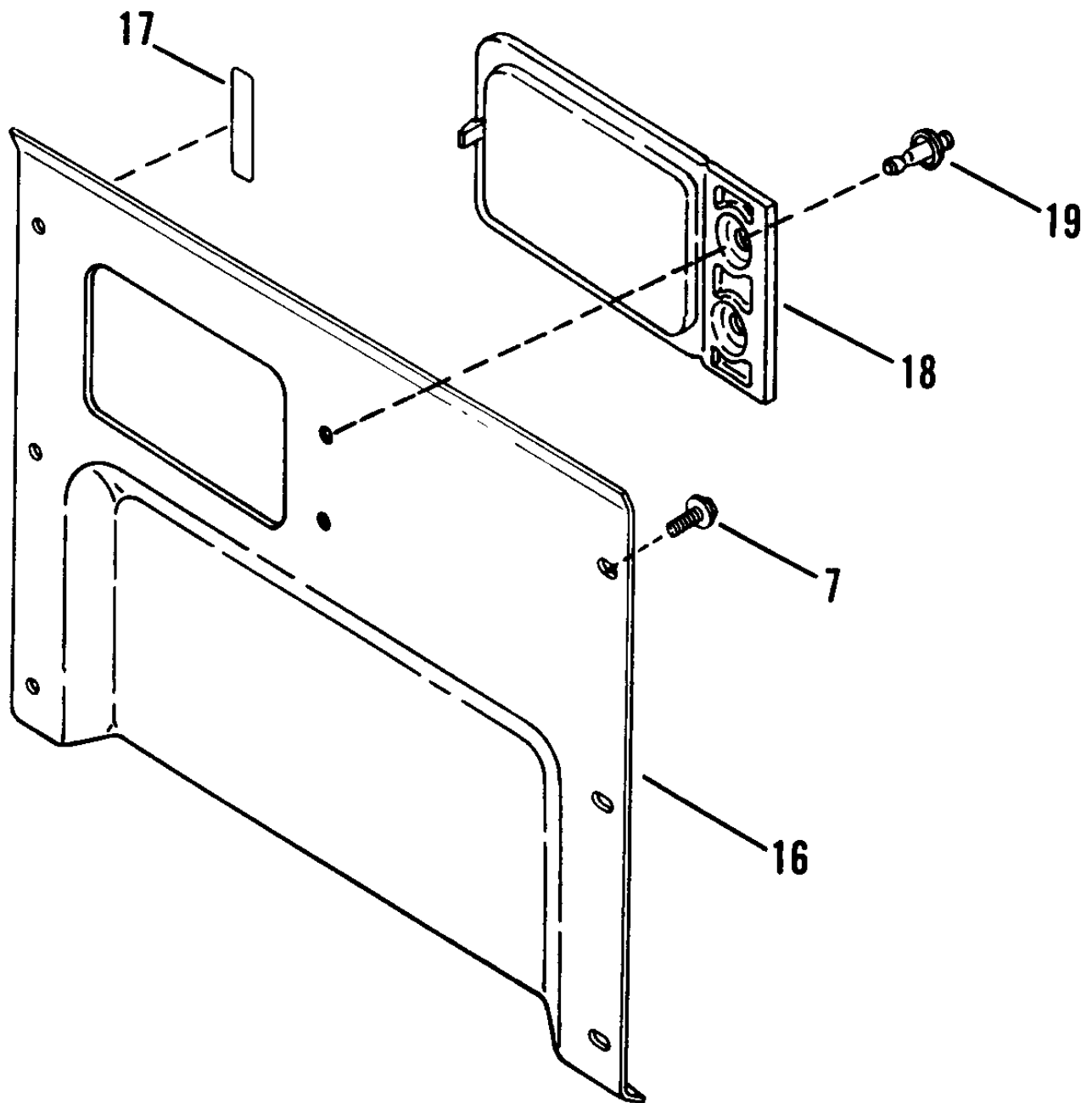
Footnotes:



Transmission Support & Components

Item	Part No	Qty	Description	Note
1		1	TRANSMISSION SUPPORT, R.H. (No longer available)	<i>Was 33063</i>
2		2	BRACKET, Transmission Mount (No longer available)	<i>Was 33059</i>
3	7016360	1	WASHER .406 x 1.38 x .25	
4	7017164	1	ROD, Release	
5	7033061	1	BRACE, Torque	
6	7016116	6	NUT, 5/16 Push-On	
7	7090361	14	SCREW, 5/16-18x5/8" Self-Tapping	
8		1	TRANSMISSION SUPPORT, L.H. (No longer available)	<i>Was 33062</i>
9	7027198	4	BOLT, 3/8-16x1" Hex Flange Lock	<i>Was 90582</i>
10		1	EXTENSION, Transmission Support, L.H. (No longer available)	<i>Was 35179</i>
11	7091585	4	NUT, 3/8-16 Center Lock	<i>Was 90546</i>
12	7090122	4	WASHER, 3/8 SAE	
13	7091541	2	SCREW, 5/16-18x3/4" Self-Tapping	<i>Was 90368</i>
14		1	BRACE, Shift Bracket (No longer available)	<i>Was 33065</i>
15		1	EXTENSION, Transmission Support, R.H. (No longer available)	<i>Was 35180</i>
20	7023606	1	CAP, Release Rod	<i>Was 23525</i>

Footnotes:

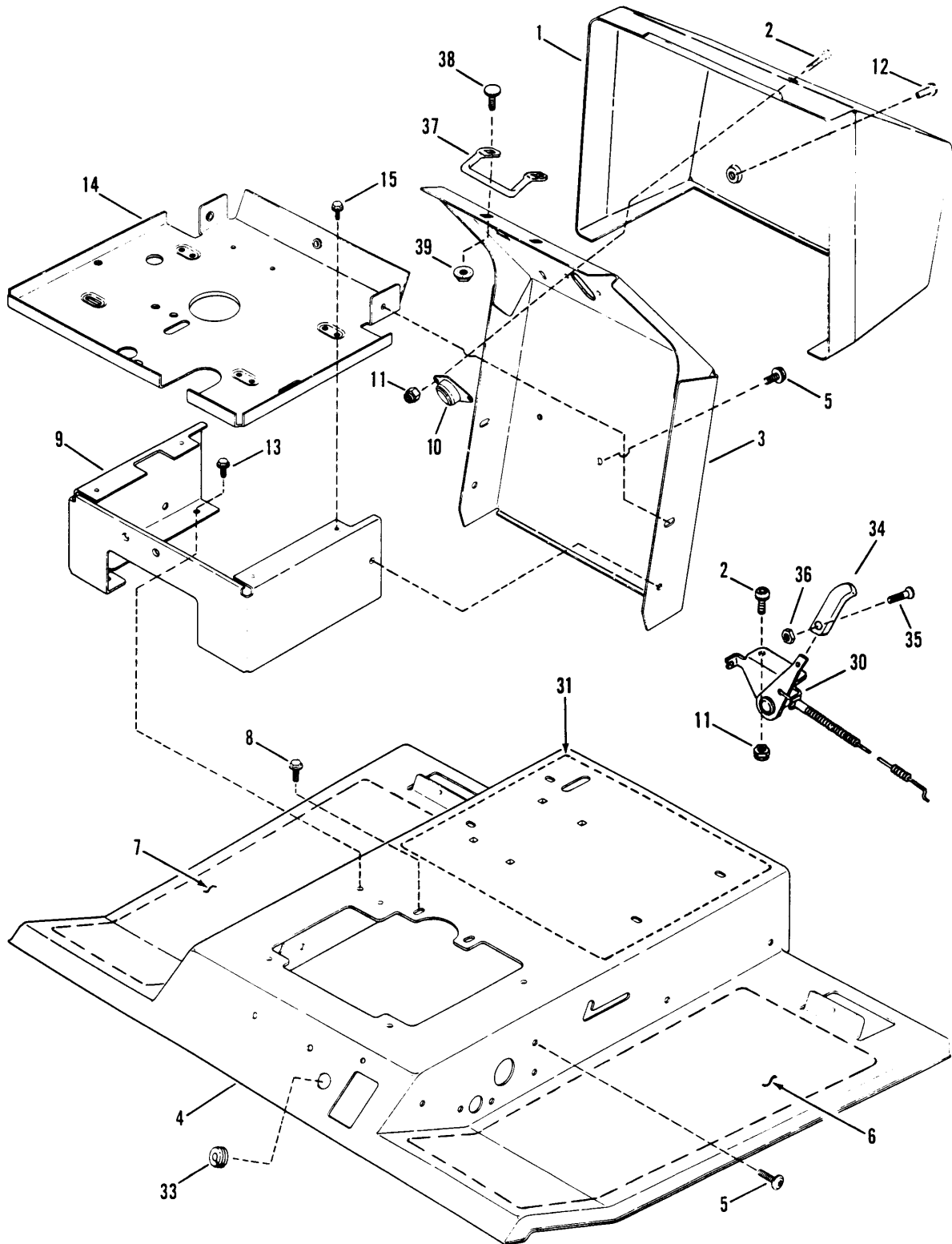


Transmission Components

Item	Part No	Qty	Description	Note
7	7090361	14	SCREW, 5/16-18x5/8" Self-Tapping	
16	7033068	1	COVER, Rear	
17	7017209	1	DECAL, Roll	
18	7016863	1	COVER, Transmission Oil Access (No longer available)	<i>Was 16863</i>
19	7017327	2	SCREW, Expansion	

Footnotes:

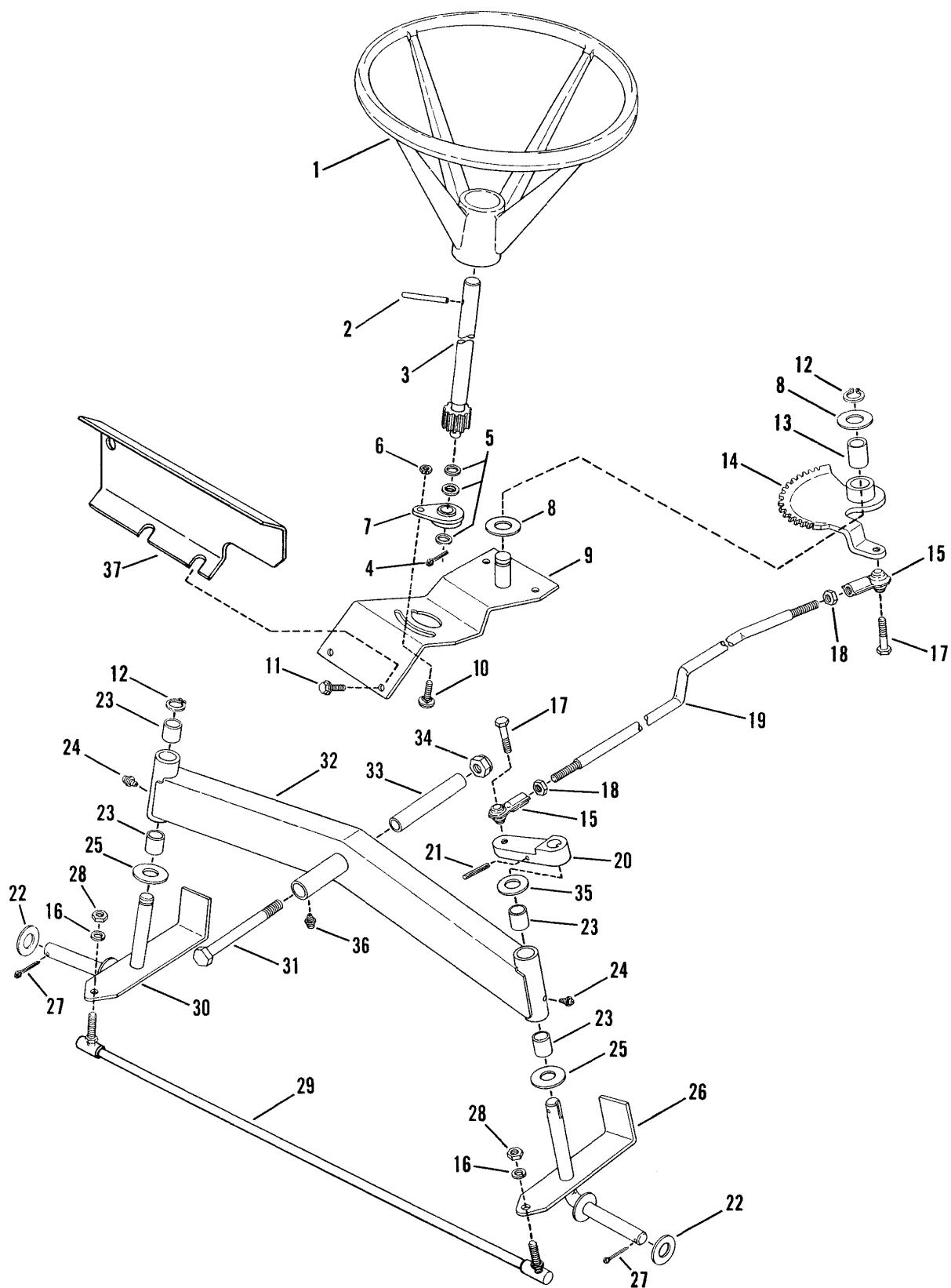
Dash Panel



Dash Panel

Item	Part No	Qty	Description	Note
1	7052685	1	PANEL, Dash	<i>Was 57557</i>
2	7090996	4	SCREW, 1/4-20x1" Phillips	
3	7040734	1	SUPPORT, Steering Shaft	
4	7051915	1	CHANNEL, Foot Rest	<i>(Includes Decal, Item 31)</i>
5	7091000	14	SCREW, 5/16-18x7/8" Torx, S.T.	<i>Was 91001</i>
6	7019400	1	TREAD, Left Side (Non-Skid)	
7	7019399	1	TREAD, Right Side (Non-Skid)	
8	7090361	2	SCREW, 5/16-18x5/8" H.C.S.T.	
9	7033073	1	MOUNT, Fuel Tank/Battery	
10	7026196	1	FLANGE ASSM'Y., Steering Shaft .75" ID Bearing	<i>Was 23173</i>
11	7076978	4	NUT, 1/4-20 Hex	
12	7090896	2	SCREW, #10-24x1/2" Self-Tapping	<i>Was 90853</i>
13	7090858	4	SCREW, 5/16-18x1/2" Self-Tapping	
14	7033078	1	PLATE, Fuel Tank & Battery Mount	
15	7091122	4	SCREW, 1/4-20x1/2" H.C.S.T.	<i>Was 90539</i>
30	7016824	1	CONTROL, Throttle 41.6" Long	
31	7017026	1	DECAL, Caution & Instruction	
33		1	GROMMET, 5/16 I.D. for .75 Hole (No Longer available)	<i>Was 14856</i>
34	7023655	1	HANDLE, Throttle Control	
35	7091017	1	SCREW, #8-32x3/8" Rec. Fill. Hd.	
36	7091018	1	NUT, #8-32 Hex	
37		1	ROD, Hood Latch (No longer available, try using 7033828)	<i>Was 17345</i>
38	7090803	2	BOLT, 1/4-20x5/8" Flat Hd. Carr.	
39	7091584	2	NUT, 1/4-20 Hex Flg. Lock	<i>Was 90583</i>

Footnotes:

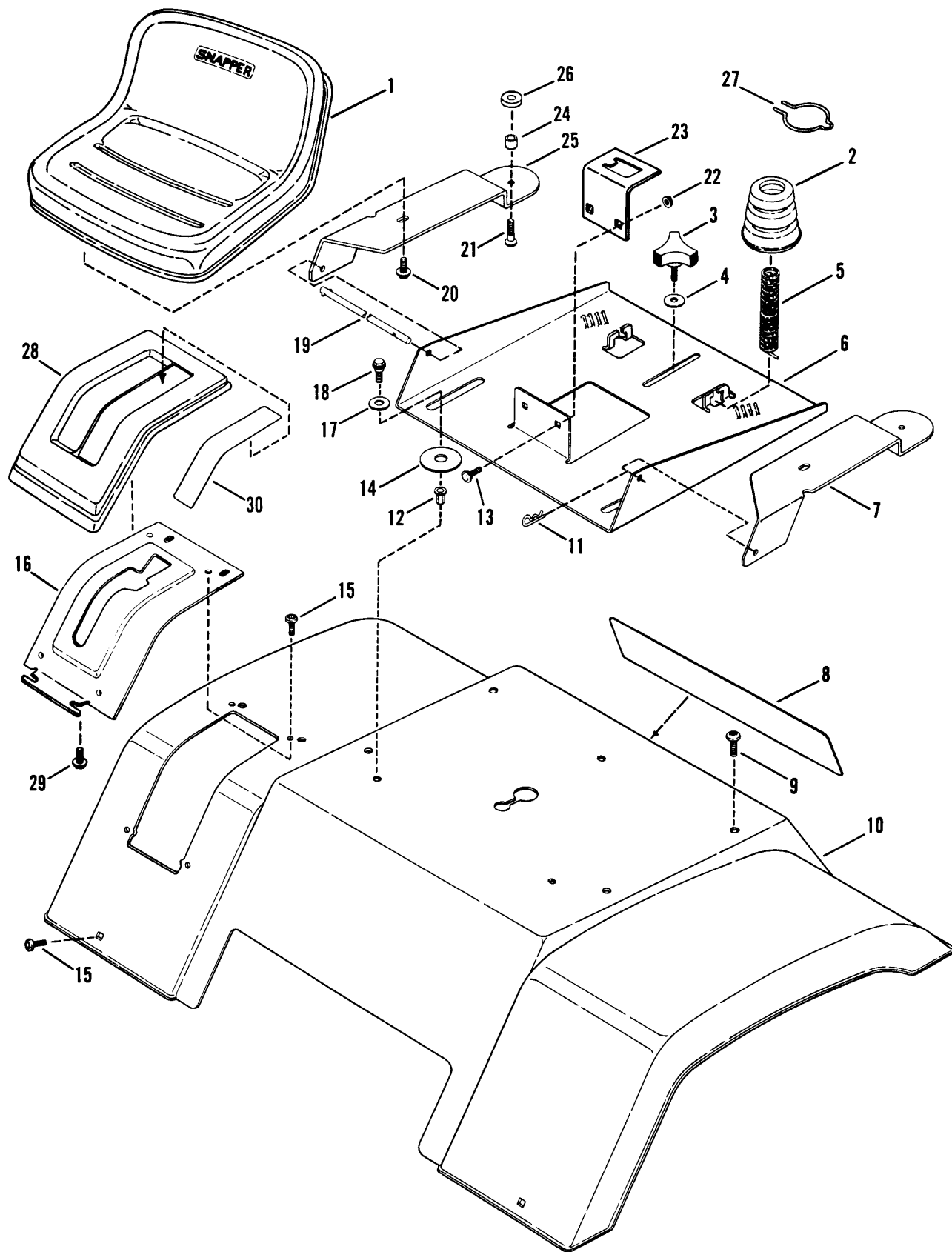


Steering & Front Axles

Item	Part No	Qty	Description	Note
1	7017040	1	STEERING WHEEL	
2	7012765	1	ROLL-PIN Spiral .26 x 2.25	
3	7040610	1	SHAFT, Steering	
4	7091313	1	PIN, Cotter 3/32 x 1.0 YZ	Was 90038
5	7014296	3	WASHER, Shim .5 x .75 x .03	
6	7091584	1	LOCKNUT, 1/4-20 Hex Flange	Was 90583
7	7052562	1	ADJUSTER, Steering	Was 51751
8	7011071	2	WASHER, Thrust	
9	7047938	1	ASSEMBLY, Steering Support	
10	7091573	1	BOLT, 1/4-20x5/8" Short Neck Carriage	Was 90551
11	7090361	4	SCREW, 5/16-18x5/8" Self-Tapping	
12	7010746	2	RING, Retaining EXT .625	
13	7015140	1	BEARING	
14	7051752	1	ASSEMBLY, Sector	
15	7027936	2	ROD-END, Drag Link .377 ID Ball x 3/8-24 End	Was 23200
16	7090118	2	LOCKWASHER, 3/8 Split	
17	7090163	2	SCREW, 3/8-24 x 1 1/4" Hex Head Cap Nylon Patch	
18	7090482	4	JAM-NUT, 3/8-24 Hex	
19	7016062	1	DRAG-LINK	
20	7019034	1	ARM, Steering	
21	7090842	1	ROLL-PIN 1/4 x 1.25"	
22	7032027	3	WASHER, Flat .77 x 1.5 x .06	
23	7012706	4	BEARING, Sleeve .875 OD	
24	7013864	2	LUBE FITTING, Straight (press-fit for .187 dia. Hole)	
25	7031036	2	WASHER, Thrust	
26	7040977	1	SPINDLE ASSEMBLY, L.H.	
27	7090384	2	COTTER-PIN	
28	7091630	2	NUT, 3/8-24 Hex	Was 90155
29	7017608	1	TIE-ROD	
30	7040976	1	SPINDLE ASSEMBLY, R.H.	
31	7090993	1	SCREW, 1/2-20x4-1/2 Hex Head Cap	
32	7057536	1	ASSEMBLY, Front Axle	(Includes four Item 23, two item 24, one item 36)
33	7022070	1	SPACER, Axle Pivot .748 OD x .508 ID x 3.77 L	
34	7090819	1	LOCKNUT, 1/2-20 Hex	
35	7010935	1	WASHER .77 x 1.13 x .06	
36	7014871	1	FITTING, Lube 3/16	
37	7033264	1	HEAT SHIELD	

Footnotes:

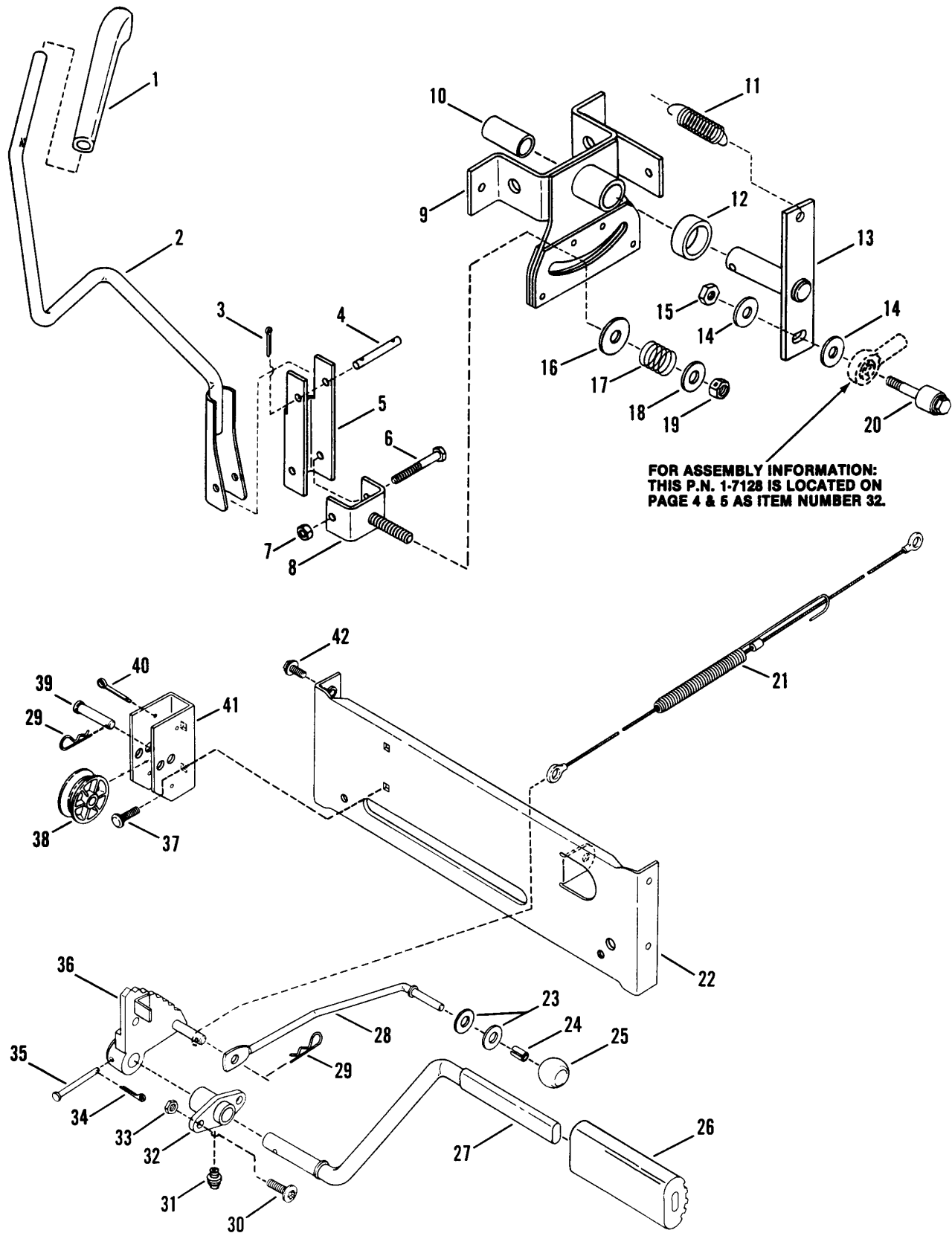
Seat, Rear Fender



Seat, Rear Fender

Item	Part No	Qty	Description	Note
1	7028650	1	SEAT, Operator's	Was 17833
2	7019109	2	CUSHION, Seat	
3	7023191	1	KNOB, 3 Prong 5/16-18 x 3/4	
4	7011763	1	WASHER 5/16"	
5	7023190	2	SPRING	
6	7033085	1	SUPPORT, Seat	
7	7038536	1	BRACKET, Seat Support, L.H.	
8	7017149	1	DECAL, SNAPPER Molded Logo	
9	7091000	4	SCREW, 5/16-18x7/8" Torx. Hd., S.T.	
10	7033049	1	FENDER, Rear	
11	7012431	1	PIN, Hair 1.12"	
12	7023193	3	RIV-NUT, 5/16-18	
13	7090799	2	BOLT, 5/16-18x5/8" Short Neck Carriage	
14	7032692	2	SPACER, WEAR Nylon 2.0 x .62 x .055	
15	7090999	6	SCREW, 1/4-20x5/8" Torx Hd., Self-Tapping	
16	7033120	1	DETENT, Shift	
17	7023192	2	WASHER, Flat .445 x 1.0 x .059	
18	7015761	2	SCREW, Shoulder, 5/16-18x3/4"	
19	7019035	1	ROD, Seat Hinge	
20	7090721	2	BOLT, 5/16-18x1/2" Hex Flange Lock	
21	7077683	2	SCREW, 5/16cx1" Flat Hd. Hex Recess	
22	7091601	2	NUT, 5/16-18 Hex Flange Lock	Was 90585
23	7032732	1	BRACKET, Switch	
24		2	SPACER, .39 x .375 (No longer available)	Was 16359
25	7038537	1	BRACKET, Seat Support, R.H.	
26	7016360	2	WASHER, Flat .406X1.38X.25 BZ	
27	7019348	2	CLIP, Seat Bumper	
28	7019416	1	COVER, Shift Detent	
29	7091105	4	SCREW, #10-16x1/2" Self-Tapping	
30	7073424	1	DECAL, Shift Cover	Was 16576

Footnotes:

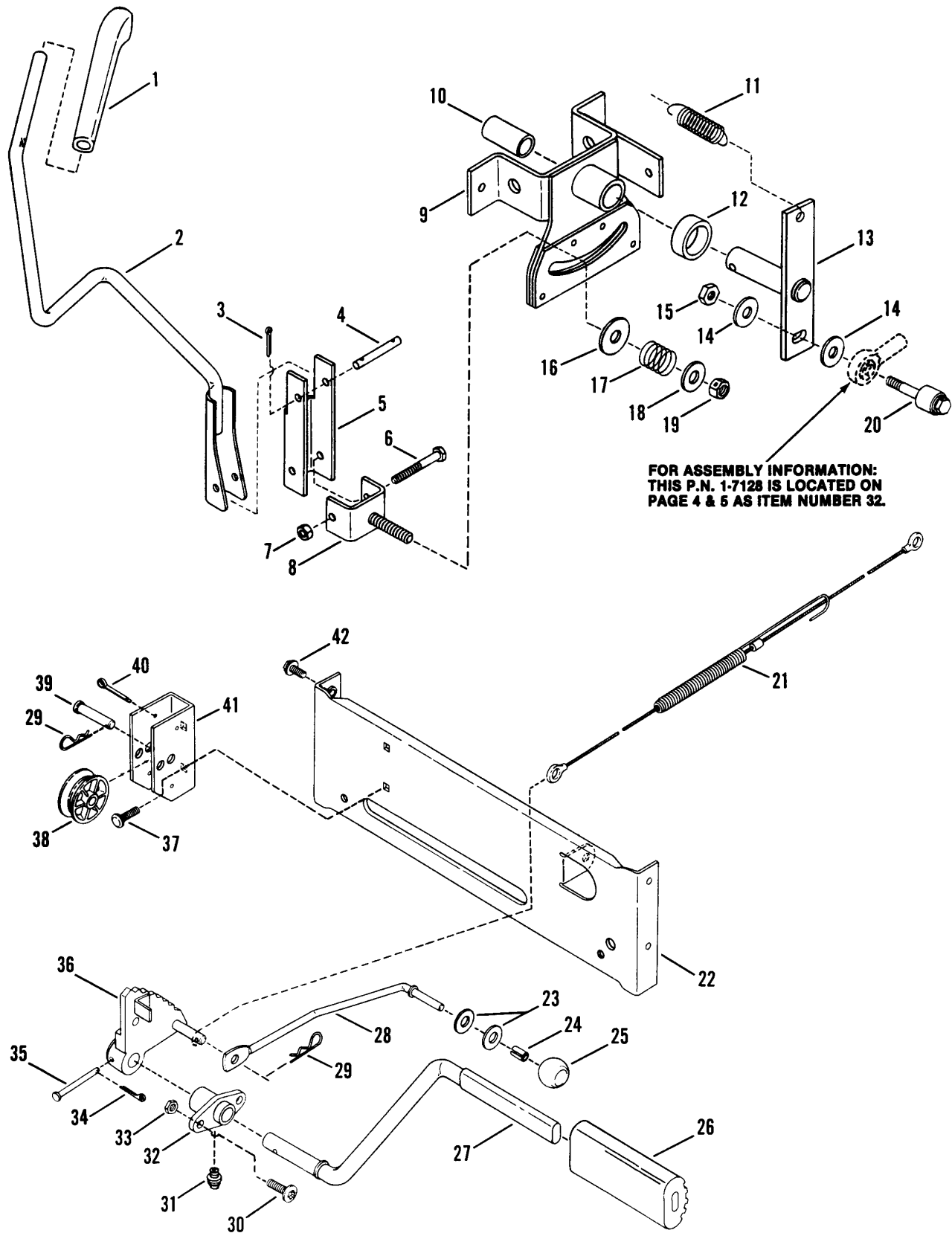


**FOR ASSEMBLY INFORMATION:
THIS P.N. 1-7128 IS LOCATED ON
PAGE 4 & 5 AS ITEM NUMBER 32.**

Clutch, Brake & Transmission Controls

Item	Part No	Qty	Description	Note
1	7023656	1	KNOB, Shifter (Elongated)	
2	7040716	1	SHIFTER, Transmission	
3	7091597	1	PIN, 3/32 x 3/4" Cotter	Was 90037
4	7022182	1	PIN, Shifter	
5	7033159	1	EXTENSION, Hub	
6	7090112	1	SCREW, 1/4-28 x 2" Hex Head Cap	
7	7090303	1	NUT, 1/4-28 Hex Lock	
8	7052346	1	ASSEMBLY, Rub Plate	
9	7052274	1	ASSEMBLY, Shift Pivot	
10		2	BEARING, Shift Pivot Assembly (No longer available, try using 7015048)	Was 16955
11	7017818	1	SPRING, Shift	
12	7017820	1	SPACER, 1.0 OD x .755 ID x .310 L	
13	7040704	1	CONTROL, Speed	
14	7091130	2	WASHER, 5/16 Flat	
15	7091297	1	NUT, 5/16-24 Hex	Was 90223
16	7017415	1	WASHER, Special	
17	7017416	1	SPRING, Tension	
18	7090517	1	WASHER, 3/8" Flat	Was 90600
19	7090289	1	NUT, 3/8-24 Hex Lock	
20	7017543	1	FOLLOWER, Cam	
21	7019170	1	CABLE, Clutch (23.5 long)	
	7026704	1	CABLE, Clutch (23.88" Long)	
22	7032926	1	BRACE	
23	7023649	2	WASHER, Nylon 5/16"	
24	7023189	1	RING, Tolerance 5/16" x 1/2"	
25	7023188	1	KNOB, Latch 5/16"	
26	7012661	1	PAD, Pedal	
27	7017024	1	PEDAL, Clutch/Brake	
28	7019033	1	LATCH, Clutch/Brake	
29	7012431	2	PIN, 1/4 x 1-1/8" Hair	
30	7091000	2	SCREW, 5/16-18 x 7/8" Torx	
31	7014871	1	FITTING, Lube 3/16"	
32	7052431	1	PIVOT, Clutch/Brake Pedal	(Includes item 31)
33	7091511	2	NUT, 5/16-18 Hex	Was 90196
34	7091313	1	PIN, 3/32 x 1" Cotter	Was 90038
35	7023645	1	PIN, 3/16 x 1 1/2" Clevis	
36	7040564	1	BRACKET, Pedal Pivot	

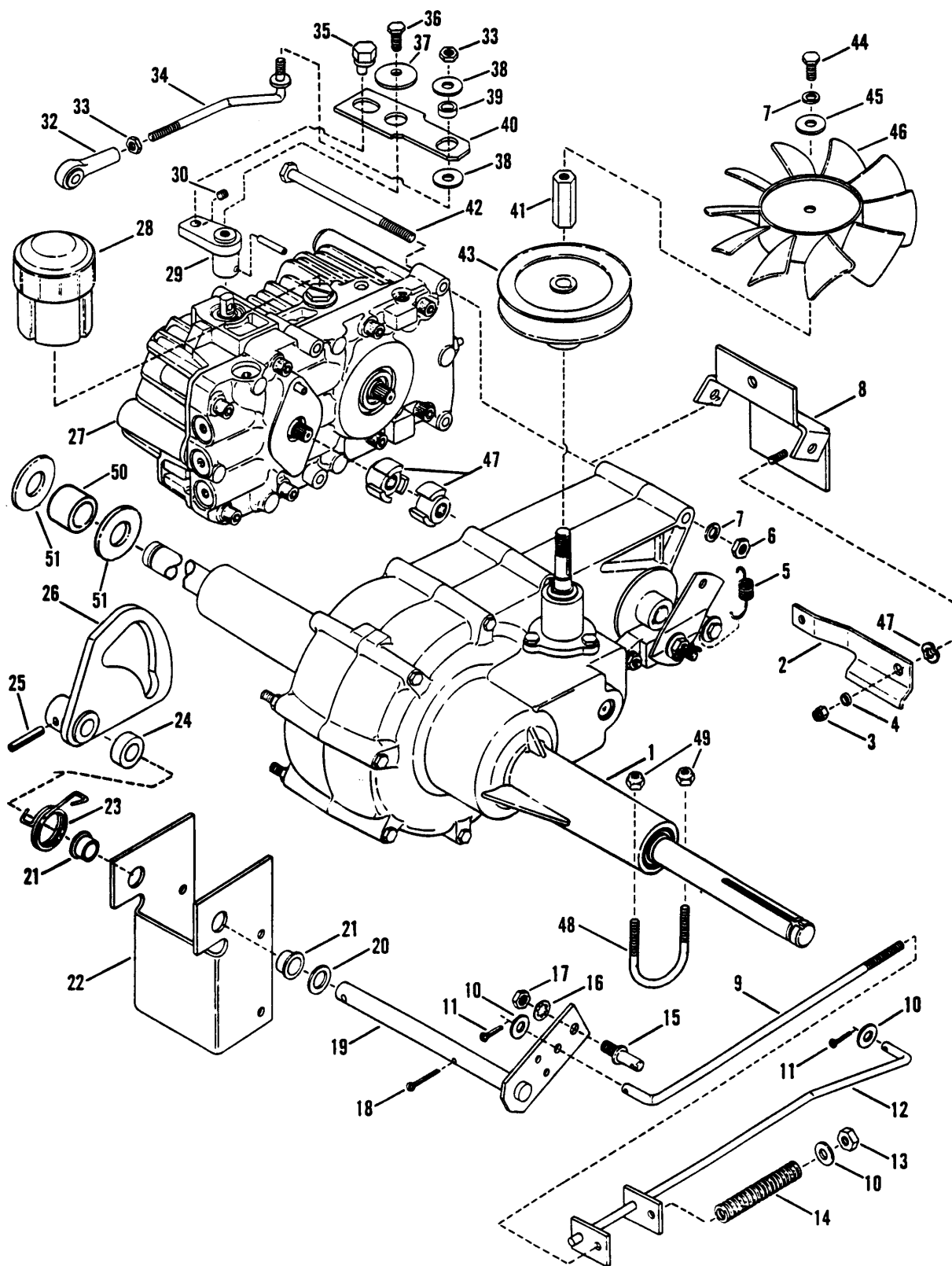
Footnotes:



Clutch, Brake & Transmission Controls

Item	Part No	Qty	Description	Note
37	7091530	2	BOLT, 1/4-20 x 3/4" Short Neck Carriage	<i>Was 90074</i>
38	7023182	1	SPOOL, Bracket	
39	7012715	1	PIN, 3/8 x 1 9/32" Clevis	
40	7091809	1	PIN, 1/8 x 1 1/4" Cotter	<i>Was 90042</i>
41		1	BRACKET, Spool (No longer available, try modifying 7033328 to fit)	<i>Was 32694 or 33154</i>
42	7090858	4	SCREW, 5/16-18 x 1/2" Self-Tapping	

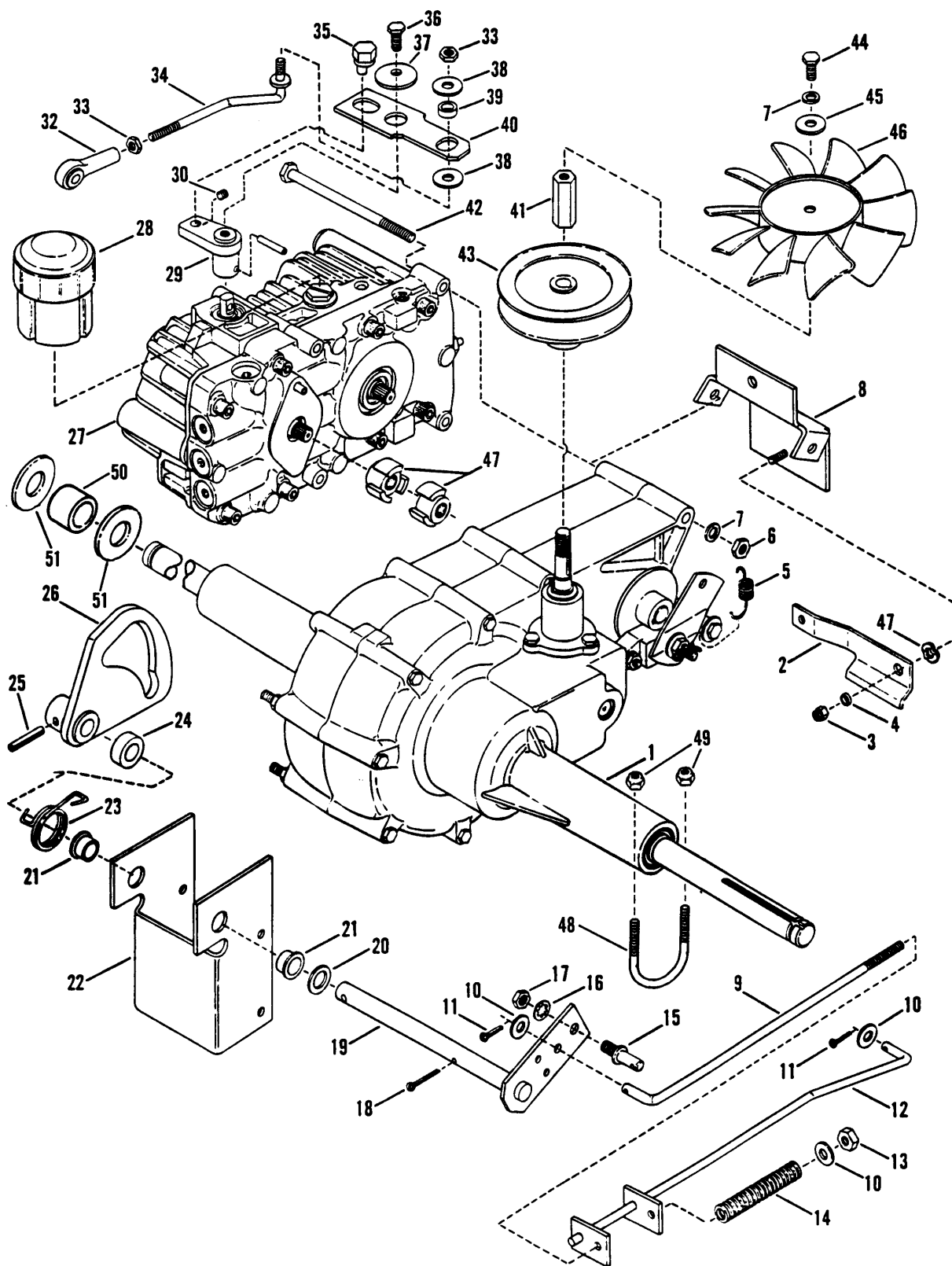
Footnotes:



Transmission Group

Item	Part No	Qty	Description	Note
1	7026084	1	TRANSAXLE ASSEMBLY (HG, 215-1000)	Was 16725
2	7034133	1	LEVER, Release	
3	7076978	1	NUT, 1/4-20 Hex Lock	
4	7017166	1	SPACER .37 OD x .271 ID x .120 L	
5	7016927	1	SPRING, Brake Return	
6	7091511	4	NUT, 5/16-18 Hex	Was 90628
7	7090187	1	WASHER, 5/16 Split Lock	
8	7052281	1	TORQUE BRACKET ASSEMBLY	
9	7017121	1	ROD, Brake Spring	
10	7090692	3	WASHER 5/16 x 7/8 x .083	
11	7090867	2	COTTER-PIN, 5/32 x 1"	Was 90865
12	7040702	1	ROD, Brake Stop	
13	7091575	1	NUT, 5/18-18 Hex Center Lock	Was 90184
14	7016721	1	SPRING, Brake	
15	7015464	1	STUD, Neutral Pivot	
16	7090390	1	WASHER, 3/8 Internal Tooth Lock	
17	7091630	1	NUT, 3/8-24 Hex	Was 90155
18	7091809	1	COTTER-PIN, 1/8 x 1-1/4"	Was 90042
19	7040703	1	NEUTRAL PIVOT ASSEMBLY	
20	7072801	1	WASHER	Was 12855
21		2	BEARING, 5/8 Flanged Nylon .625 ID x .719 x .325 (No longer available)	Was 16956
22	7033056	1	SUPPORT, Neutral Pivot	
23	7016723	1	SPRING, Torsion	
24		1	SPACER, 1.120 OD x .635 ID x .38 L (No longer available)	Was 17165
25	7090842	1	PIN, Roll, 1/4 x 1-1/4"	
26	7016715	1	CAM, Neutral Return	
27	7016726	1	TRANSMISSION, Hydro (HG BDU-105-120)	
28	7016727	1	RESERVOIR ASSEMBLY (HG 2003081)	
29	7016712	1	HUB, Speed Control	
30	7013670	1	SCREW, 1/4-28, 1/8 Hex Socket Set (No longer available, try using 7077667)	Was 13670
31	7017732	1	PIN, Spiral 5 MM x 36 MM	
32	7027139	1	ROD END, Speed Control	Was 17128
33	7091297	2	NUT, 5/16-24 HeX	Was 90223
34		1	ROD, Adjustment 4.41" l, 5/16-24 Ends (No longer available)	Was 17816
35	7014729	1	PIN, Eccentric	
36	7090534	1	SCREW, 5/16-18 x 1/2" Hex Head Cap	Was 90203
37	7014263	1	WASHER, Cone .32 x 1.4 x .1	

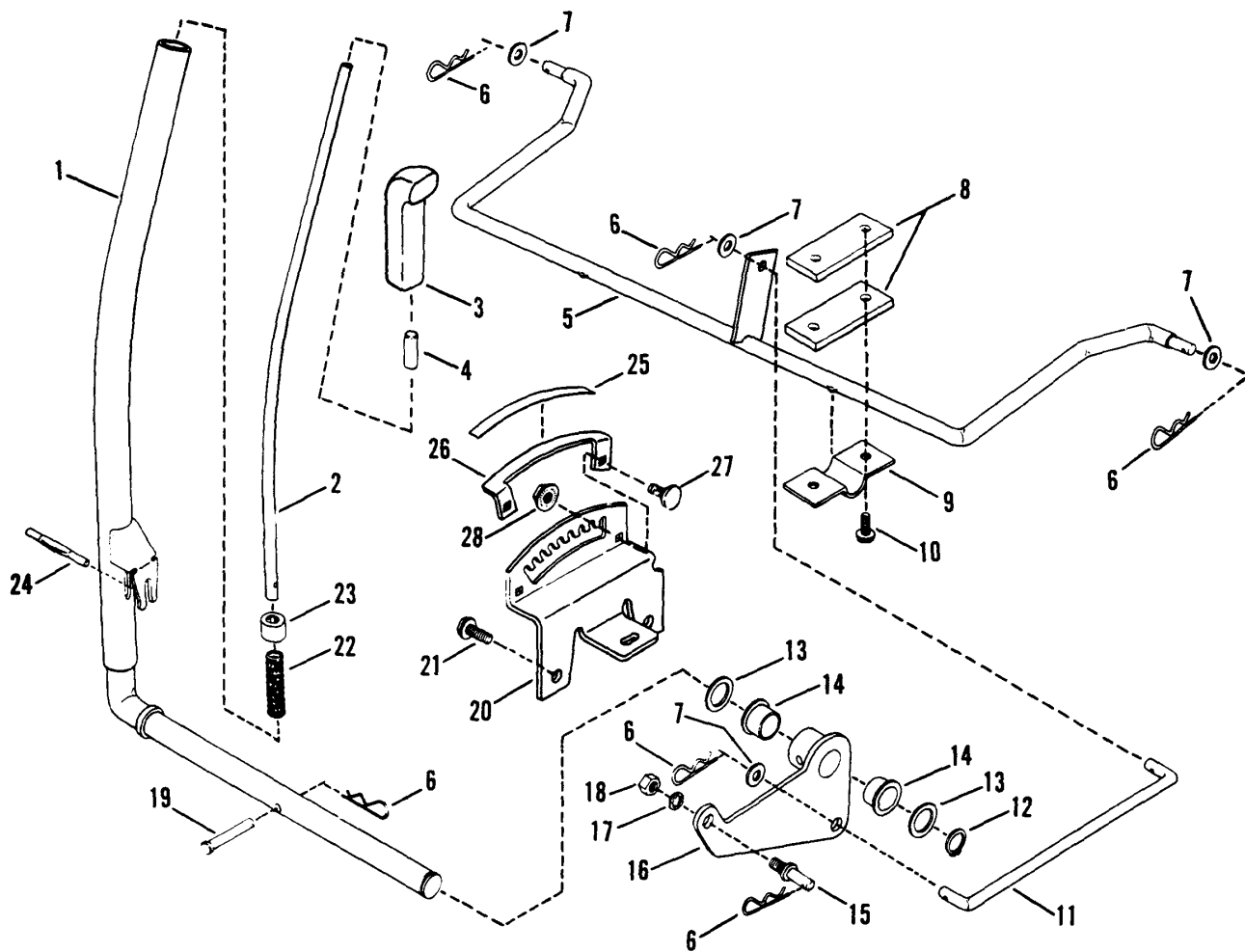
Footnotes:



Transmission Group

Item	Part No	Qty	Description	Note
38	7091130	2	WASHER, Flat .327 x .875 x .09	
39	7011968	1	ROLLER	
40	7033054	1	PLATE, Speed Control	
41		1	NUT, Special 3/4 Hex Stock/5/16-24 Thru/9/16-18x1.0 Deep (No longer available)	Was 16717
42	7076940	3	SCREW, 5/16-18 x 4-1/2, Hex Head Cap	
	7090924	1	SCREW, 5/16-18 x 4-1/8" Hex Head Cap	(Not Shown)
43	7016716	1	PULLEY, Drive	
44	7090322	1	SCREW, 5/16-24 x 1/2" Hex Head Cap	
45	7011763	1	WASHER, Fender 5/16	
46	7016728	1	FAN, 7" DIA 10 Blade	
47	7024235	4	Coupler	
48	7022289	2	U-BOLT 5/16-18	Was 16718
49	7091601	4	NUT, 5/16-18 Hex Flange Lock (Torque to 23 ft/lbs.)	Was 91511
50	7072385	2	SPACER, 3/4" I.D. x 2-1/4" Long	Was 24858
51	7032027	4	WASHER, 3/4" Flat	
52	5023202	1	WASHER, 3/8 Wave	Was 17855
	7033320	2	SADDLE, U-Bolt (Not shown on U-Bolt)	

Footnotes:

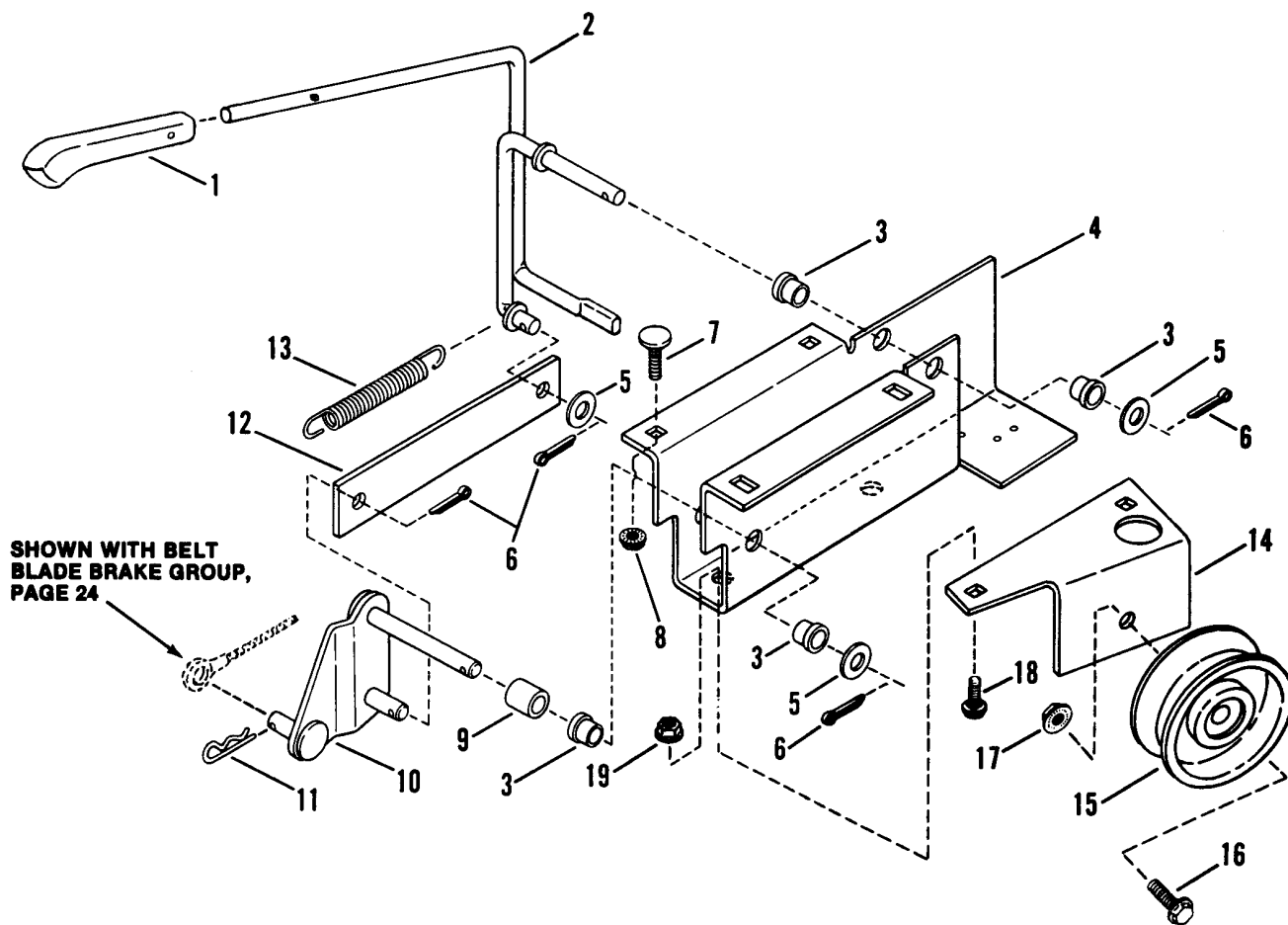


Implement Lift Parts

Item	Part No	Qty	Description	Note
1	7040698	1	ARM, Implement Lift Lever	
2	7034041	1	ROD, Lift Lever	
3	7019363	1	GRIP, Lift Lever	
4	7014361	1	CAP, Lift Release	
5	7047961	1	ARM, Rear Lift	
6	7091503	5	PIN, Hair, 3/32x1-1/2"	Was 15067
7	7090122	4	WASHER, 3/8 SAE Flat	
8	7032789	4	SPACER	
9	7032898	2	BRACKET, Arm	
10	7090369	4	SCREW, 5/16-18x1 H.W.H.S.T.	
11	7023171	1	LIFT-ROD	
12	7015020	1	RING, Retaining EXT 7/8"	
13	7014354	2	WASHER, Lift Lever .905 x 1.25 x .091	
14	7023197	2	BEARING, Lift Lever	
15	7015464	1	STUD	
16	7047933	1	PIVOT ASSM'Y., Lift Lever	
17	7090390	1	WASHER, 3/8 Int. Tooth Lock	
18	7091630	1	NUT, 3/8-24 Hex	Was 90155
19	7029841	1	PIN, Clevis, 5/16x1-11/16"	Was 12407
20	7033046	1	QUADRANT, Lift Lever	
21	7091000	3	SCREW, 5/16-18x7/8 Self-Tapping	Was 91001
22	7014432	1	SPRING, Lift Lever	
23	7015019	1	PLUG, Lift Lever Nylon	
24	7090881	1	PIN, 3/16 x 2" Groove	
25	7017445	1	DECAL, Cut Height	
26	7033176	1	INDICATOR, Cut Height	
27	7090803	2	BOLT, 1/4-20x5/8 Flt. Hd. Carr.	
28	7091584	2	NUT, 1/4-20 Hex Flg. Lock	Was 90583

Footnotes:

Blade Engagement

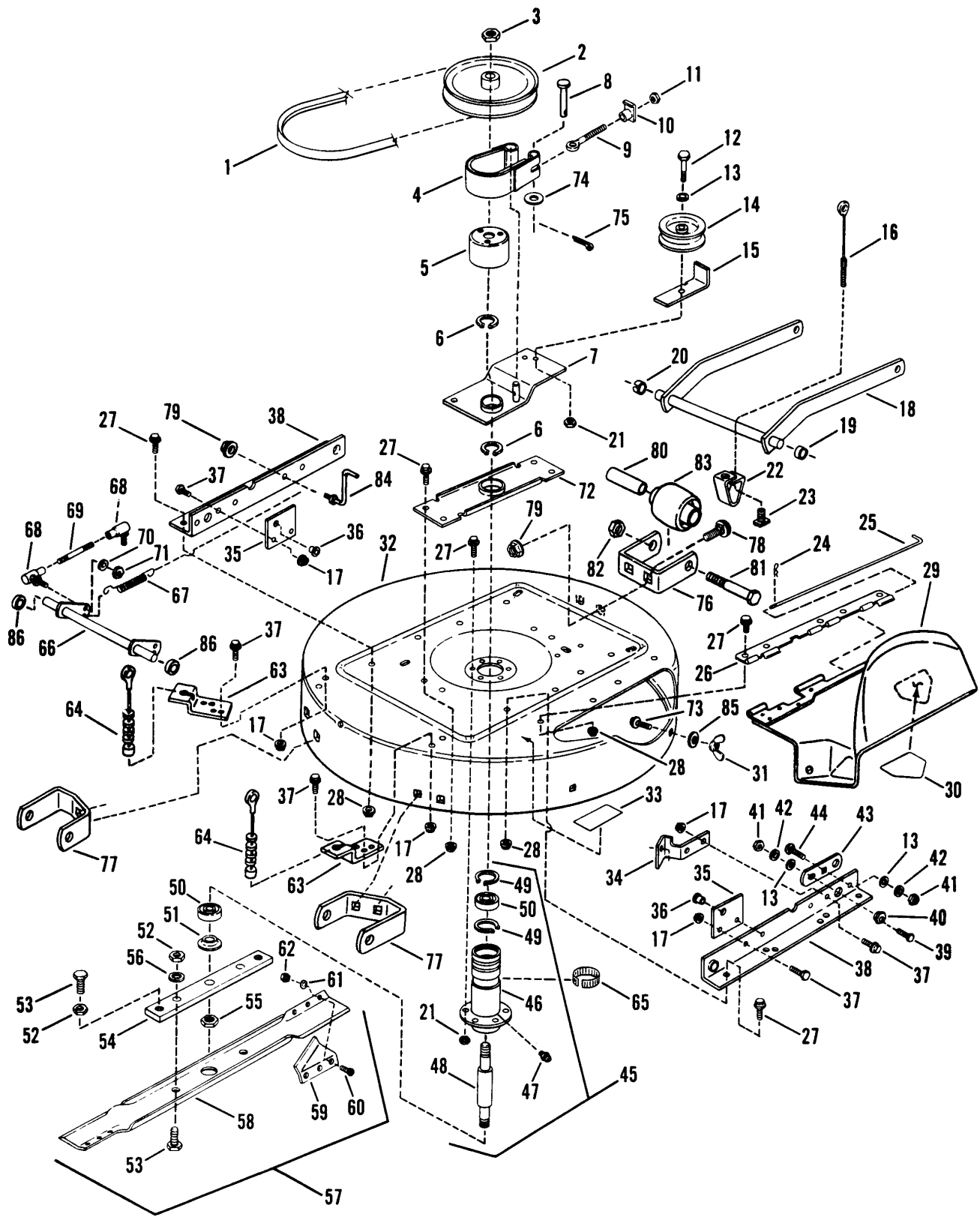


Blade Engagement

Item	Part No	Qty	Description	Note
1	7016356	1	KNOB, Handle 7/16"	
2	7040674	1	HANDLE, Blade Engagement	
3	7013321	4	BUSHING	
4		1	BRACKET, Handle (No longer available)	<i>Was 36271</i>
5	7090122	3	WASHER, 3/8 SAE YZ	
6	7091597	4	COTTER-PIN, 3/32 x 3/4"	<i>Was 90037</i>
7	7090803	4	BOLT, 1/4-20 x 5/8" Flat Head Carriage	
8	7091584	4	LOCKNUT, 1/4-20 Hex Flange	<i>Was 90583</i>
9	7023206	1	SPACER .625 OD x .380 ID x .560 L	
10	7040570	1	PIVOT ARM ASSEMBLY	
11	7012431	1	PIN, Hair	
12	7032712	1	LINK	
13	7023165	1	SPRING, Return	
14	7033277	1	BRACKET, Idler Support	
15	7017748	1	PULLEY, Idler 2.75" OD	
16	7091580	1	BOLT, 3/8-16 x 1-3/4" Hex Flange Lock	<i>Was 90701</i>
17	7091619	1	NUT, 3/8-16 Hex Lock	<i>Was 90613</i>
18	7090731	2	BOLT, 5/16-18 x 1/2" Short Neck Carriage	
19	7091601	2	NUT, 5/16-18 Hex Lock Flanged	<i>Was 90585</i>

Footnotes:

33" Cutting Deck, Belts, Brakes



33" Cutting Deck, Belts, Brakes

Item	Part No	Qty	Description	Note
1	7023710	1	BELT, 33" Drive Kevlar (A-59 61" OD)	
2	7018581	1	PULLEY, 8" O.D.	
3	7074467	1	NUT, 3/4-16 Hex Jam	Was 10027
4	7052886	1	BAND, Brake Assembly	Was 57307
5	7032169	1	DRUM, Brake	
6	7010740	2	RING, 2" External Retaining	
7	7047961	1	ARM, Idler	
8	7014304	1	PIN, 1/4x1-1/4 Clevis	
9	7014302	1	BOLT, 1/4-20 Eye	
10	7014303	1	NUT, 1/4-20 Tee	
11	7091576	1	NUT, 1/4-20 Hex GR 5 YZ	Was 90063
12	7091575	1	SCREW, 3/8-24x1-1/2" Hex Head Cap	Was 90184
13	7090122	3	WASHER, 3/8 SAE	
14	7018574	1	PULLEY, Idler, 4.12 O.D.	
15	7032368	1	GUIDE, Belt	
16	7023180	1	CABLE, Front Lift 6.12"	
17	7091601	10	LOCKNUT, 5/16-18 Hex Flange	Was 90585
18	7047959	1	LIFT, Front Arm	
19	7012067	1	RING, Red (Right Side)	
20	7023791	1	RING, Black (Left Side)(5/8" ID x .44" Wide)	Was 10996
21	7090289	7	LOCKNUT, 3/8-24 Hex	
22	7038043	1	BRACKET, Front Lift Hanger	
23	7090388	1	T-NUT, 5/16-18	
24	7091503	1	PIN, Hair 3/32" x 1.5"	
25	7032323	1	PIN, Hinge	Was 31914
26	7039586	1	HINGE, Deflector	
27	7091588	14	BOLT, 3/8-16x3/4 Hex Flange Lock	Was 90612
28	7091619	14	LOCKNUT, 3/8-18 Hex Flange	Was 90613
29	7052555	1	ASSEMBLY, Deflector	Was 51978 (Includes item 30)
30	7013010	1	DECAL, Danger	(Cut Finger)
31	7091537	1	WING-NUT, 5/16-18	Was 90492
32	7061956	1	DECK, Cutting, 33"	Was 51917 or 60978 (Now 61956 + 52555)
33	7014416	1	DECAL Caution	(Deflector-Adapter)
34	7038455	1	ANCHOR, Brake	
35	7032803	2	BRACKET, Cross-Shaft	
36	7011016	2	BEARING, Cross-Shaft Bracket	
37	7090741	10	BOLT, 5/16-18x1/2" Hex Flange Lock	Was 90723

Footnotes:

33" Cutting Deck, Belts, Brakes

Item	Part No	Qty	Description	Note
38	7038453	2	RAIL, Side	
39	7091304	1	SCREW, 3/6-16x1" Hex Head Cap	Was 90563
40	7015012	1	ECCENTRIC, Leveling	
41	7091302	2	NUT, 3/8-18 Hex	Was 90130
42	7090118	2	LOCKWASHER, 3/8 Split	
43	7032432	1	LINK, Adjustment	
44	7091547	1	BOLT, 3/8-16x3/4" Carriage	Was 90850
45	7059784	1	ASSEMBLY, Spindle	(Includes items 46 thru 55)
46	7052294	1	HOUSING, Spindle 5.575" Tall	(Includes item 47)
47	7010817	1	FITTING, Lube (Press into .187" hole, no ball)	
48	7027711	1	SPINDLE, 33" Mower Deck 8.26" Long	
49	7012491	2	RING, Retaining EXT 1.75"	
50	7013313	2	BEARING, Spindle	
51	7014407	1	WASHER, Spindle	
52	7090559	4	NUT, 1/2-20 Hex Jam	(2 in assembly)
53	7090392	4	SCREW, 1/2-20 Hex Head Cap	(2 in assembly)
54	7037751	1	HOLDER, Blade	
55	7090356	1	NUT, 5/8-18 Hex Lock	
56	7090509	2	WASHER, 1/2 Internal Tooth Lock	
58	7019523	1	BLADE, 33" Mower Deck	
59	7037723	2	AIR-LIFT	
60	7090228	6	SCREW, 5/16-24x11/18 Machine	
61	7090391	8	WASHER, 5/16-24 Internal Tooth Lock	
62	7091297	8	NUT, 5/18-24 Hex	Was 90223
63	7033115	2	BRACKET, Rear Lift	
64	7016844	2	CABLE, Support (4.25", 8 Spacers)	
65	7014343	1	RING, Tolerance 2.0"	Was 12070
66	7047960	1	CROSS-SHAFT	
67	7028652	1	SPRING	Was 16153
68	7015753	2	BALLPOINT	
69	7023687	1	LINK, Ball Joint	
70	7090053	2	WASHER, 1/4 Internal Tooth Lock	
71	7090095	2	NUT, 1/4-28 Hex	
72	7038018	1	BRACE, Spindle	
73	7091508	1	BOLT, 5/16-18x3/4 Short Neck Carriage	Was 90001
74	7091294	1	WASHER .28 x .63 x .065 YZ	Was 90055
75	7091597	1	COTTER-PIN, 3/32x3/4"	Was 90037

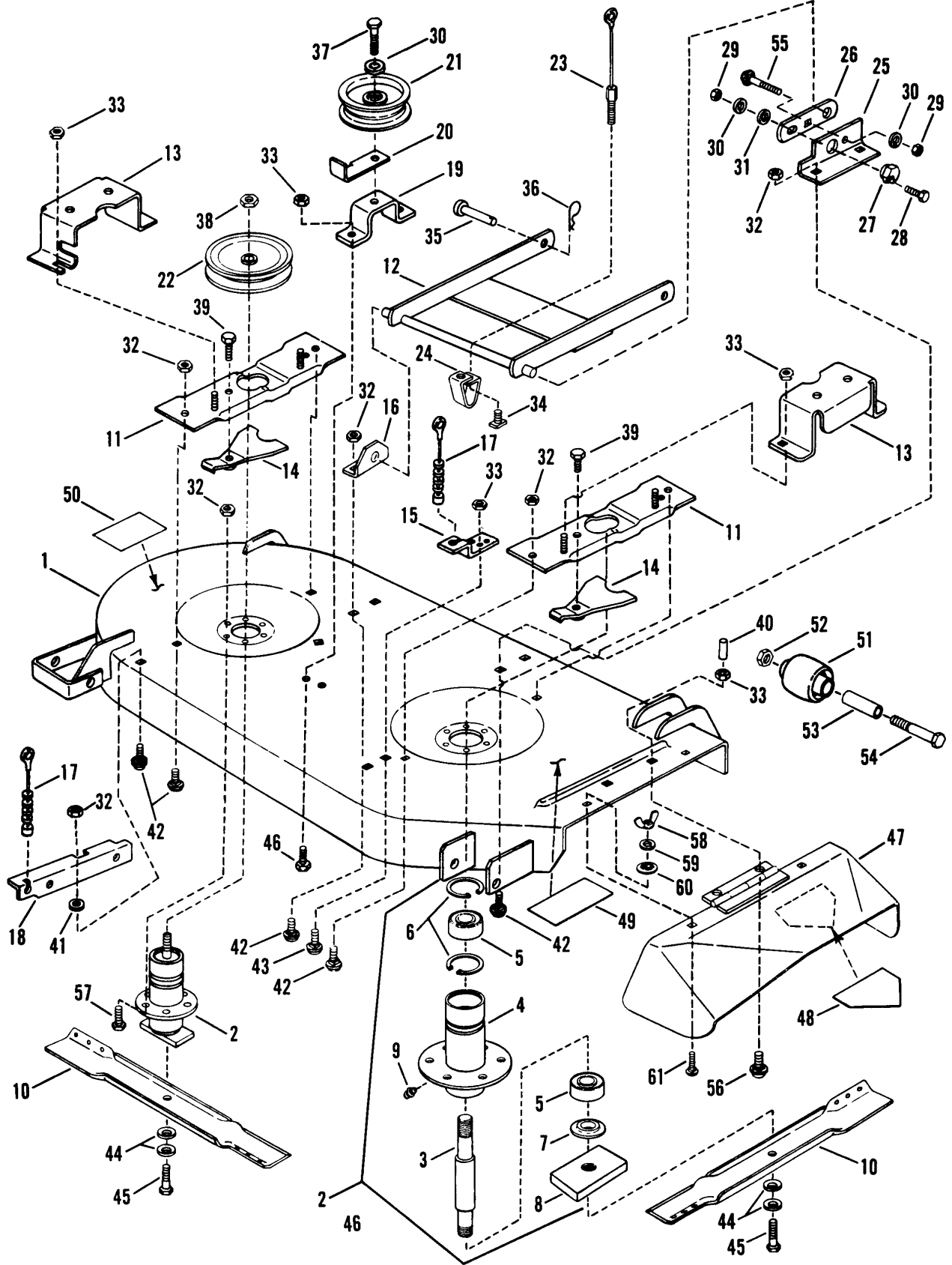
Footnotes:

33" Cutting Deck, Belts, Brakes

Item	Part No	Qty	Description	Note
76	7033570	1	BRACKET, Gage Wheel (Front)	<i>Was 38451</i>
77	7033571	2	BRACKET, Gage Wheel (Rear)	<i>Was 38450</i>
78	7090731	6	BOLT, 5/16-18x1/2" Short Neck Carriage	<i>Was 90004</i>
79	7091601	7	NUT, 5/16-18 Hex Flange Lock	<i>Was 90585</i>
80	7015272	3	SPACER .625 OD x .423 ID x 3" L	
81	7091532	3	SCREW, 3/8-24x3-3/4 H.H.C.	<i>Was 90859</i>
82	7090289	3	LOCKNUT, 3/8-24 Hex	
83	7019190	3	WHEEL Gage	
84	7023874	1	GUIDE, Belt	
85	7090188	2	WASHER, 5/16 Flat	
86	7020908	2	SPACER	

Footnotes:

41" Cutting Deck

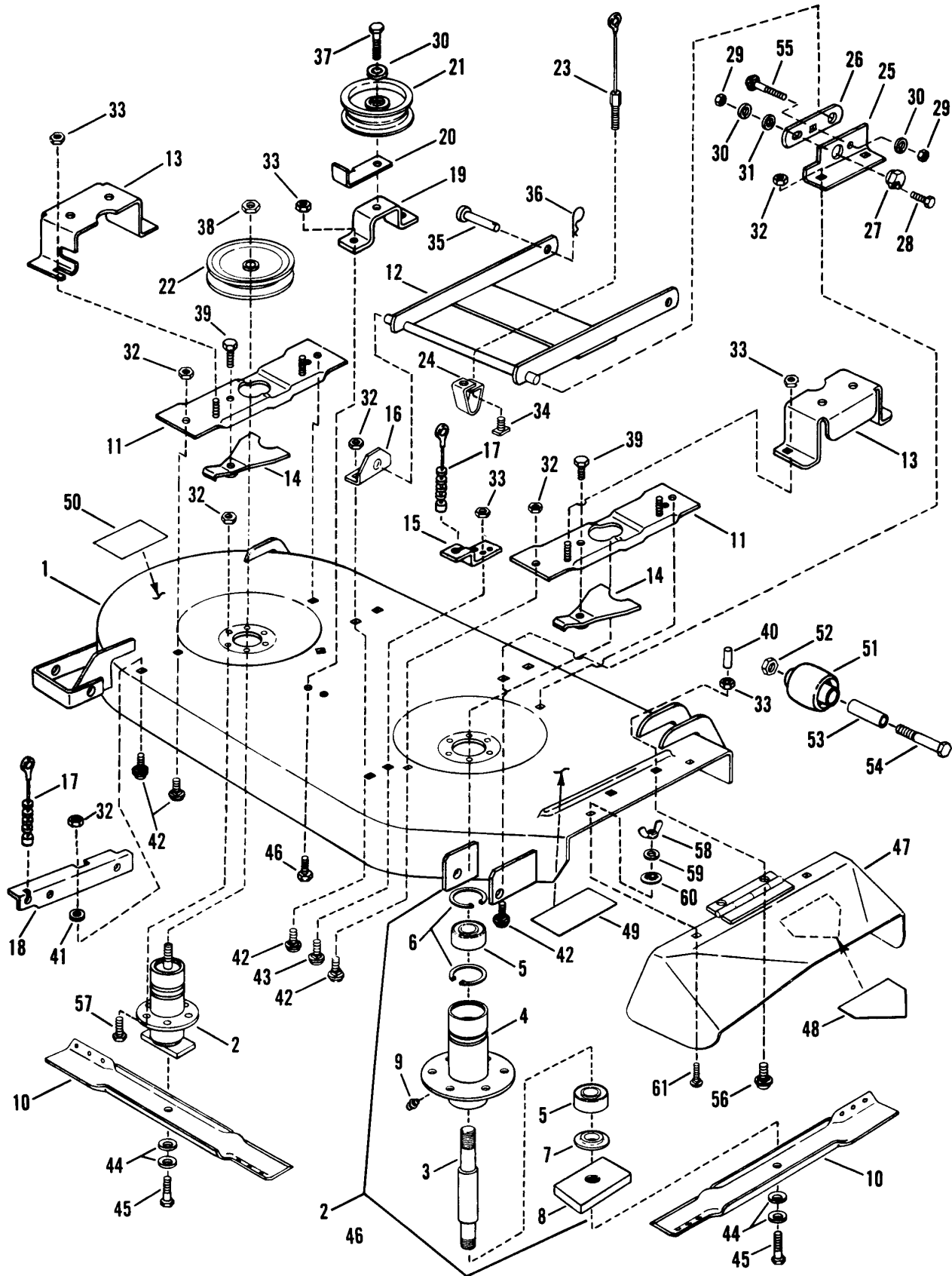


41" Cutting Deck

Item	Part No	Qty	Description	Note
1	7051916	1	DECK, Mower 41"	(Includes Items 50 & 51)
2	7051914	2	ASSEMBLY, Spindle	(Includes Items 3 thru 9)
3	7027668	2	SPINDLE	
4	7051918	2	HOUSING, Spindle	(Includes item 9)
5	7013313	4	BEARING, Spindle	
6	7012491	4	RING, Retaining	
7	7014407	2	WASHER, Spindle	
8	7032294	2	HOLDER, Blade	
9	7010817	2	FITTING, Lube	
10	7019795	2	BLADE, 21" Cutter	
11	7052487	2	ASSEMBLY, Rear Support	Was 51769
12	7042469	1	ASSEMBLY, Front Hanger	Was 49762
13	7034409	2	GUARD, Pulley	Was 38389
14	7051747	2	ASSEMBLY, Spindle Lock	
15	7033083	1	ASSEMBLY, Chain Support	
16	7032297	1	BRACKET, Front Left Hanger	
17	7016844	2	CABLE, Support (4.25", 8 Spacers)	
18	7033086	1	ASSEMBLY, Rear Support	
19	7051748	1	BRACKET, Idler Mount	
20	7032368	1	GUIDE, Belt	
21	7018574	2	PULLEY, Idler	
22	7015724	2	PULLEY, Spindle	
23	7023180	1	CABLE, Front Lift 6.125"	
24	7034043	1	BRACKET, Front Lift Arm Hanger	
25	7038382	1	BRACKET, Front Right	
26	7032432	1	LINK, Adjustment	
27	7015012	1	RING, Adjustment	
28	7091304	1	SCREW, 3/8-16x1" Hex Head Cap	Was 90563
29	7091302	2	NUT, 3/8-16 Hex	Was 90130
30	7090118	2	WASHER, 3/8" Split Lock	
31	7090122	1	WASHER, 3/8" Flat	
32	7091619	22	NUT, 3/8-16 Hex Flange Lock	Was 90613
33	7091601	9	NUT, 5/16-18 Hex Flange Lock	Was 90585
34	7090388	1	T-NUT, 5/16-18	
35	7012951	1	PIN, 1/2x1-3/8" Clevis	
36	7091596	1	HAIRPIN, Cotter	Was 13844
37	7091497	1	SCREW, 3/8-16x1-1/2" Hex Cap	Was 90655

Footnotes:

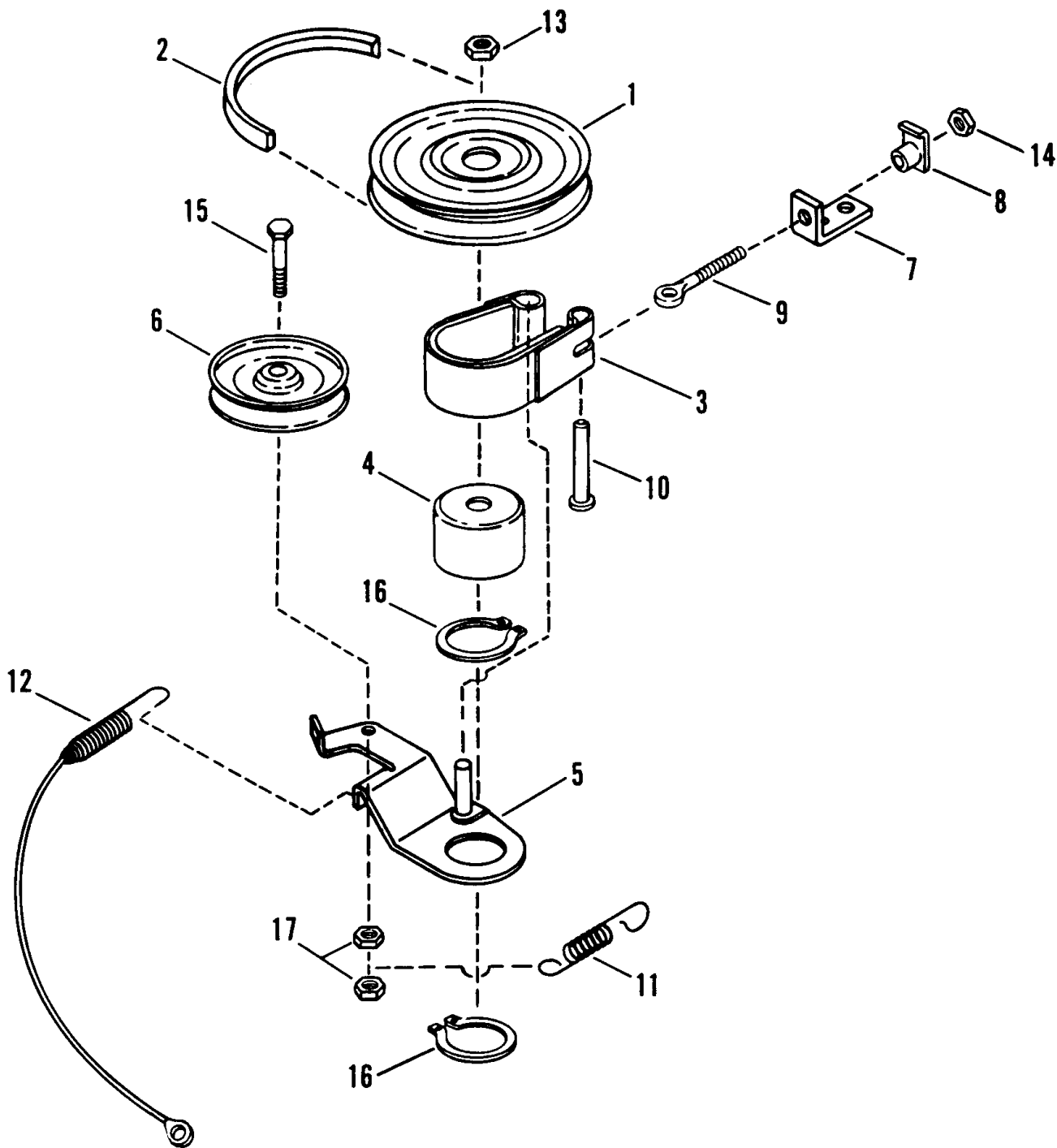
41" Cutting Deck



41" Cutting Deck

Item	Part No	Qty	Description	Note
38	7074467	2	NUT, 3/4-16 Hex Jam	<i>Was 10027</i>
39	7027198	2	BOLT, 3/8-16x1" Hex Flange Lock	<i>Was 90582</i>
40	7023606	2	CAP, Vinyl	
41	7090517	1	WASHER, 7/16 Flat	<i>Was 90600</i>
42	7091547	9	BOLT, 3/8-16x3/4" Carriage	<i>Was 90850</i>
43	7091508	2	BOLT, 5/16-18x3/4 Carriage	<i>Was 90788</i>
44	7012063	4	WASHER, 13/32x1-13/32" Dia. Cone	
45	7090824	2	SCREW, 3/8-24x1-1/4" Hex Cap	
46	7090595	2	BOLT, 5/16-18x3/4" Hex Flange Lock	
47	7051401	1	DEFLECTOR, Side Chute	<i>(Includes item 49)</i>
48	7013010	1	DECAL, Danger	
49	7014852	1	DECAL, Caution	<i>(Deflector in Place)</i>
50	7014853	1	DECAL, Caution	<i>(Rotating Blades)</i>
51	7019190	4	WHEEL, Gage	
52	7090289	4	LOCKNUT, 3/8-24 Hex	
53	7015272	4	SPACER	
54	7091532	4	SCREW, 3/8-24x3-3/4" Hex Hd. Cap	<i>Was 90859</i>
55	7091547	1	BOLT, 3/8-16x3/4" Short Neck Carriage	<i>Was 90850</i>
56	7091303	2	BOLT, 5/16-18x1" Short Neck Carriage	<i>Was 90383</i>
57	7091588	12	BOLT, 3/8-16x3/4" Hex Flange Lock	<i>Was 90612</i>
58	7090375	2	WING-NUT, 5/16-18	
59	7090187	2	WASHER, 5/16 Split Lock	
60	7011791	2	RETAINER, 5/16 Bolt	
61	7090799	2	BOLT, 5/16-18x5/8" Carriage	

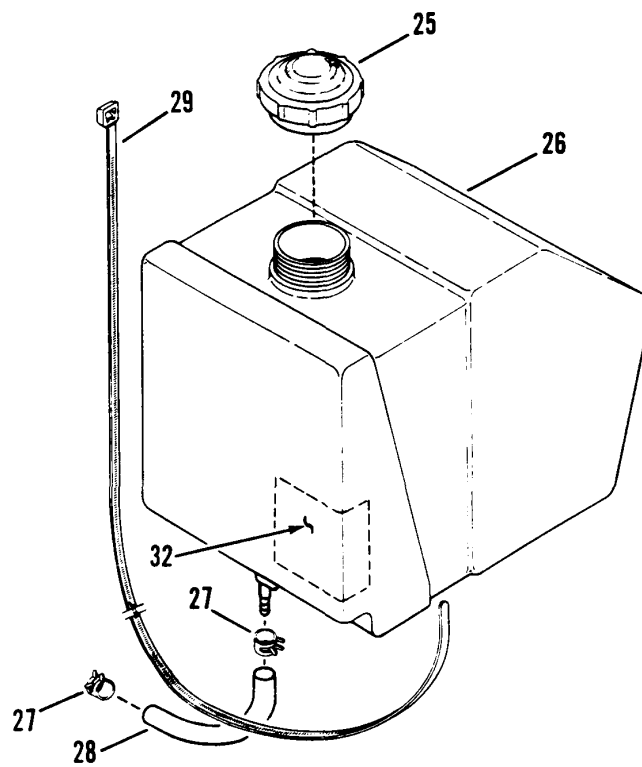
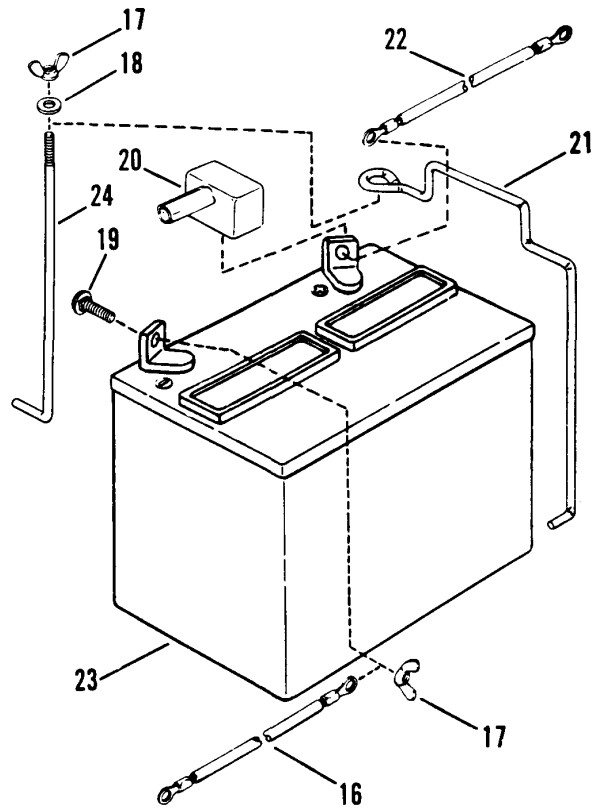
Footnotes:



Belt, Blade Brake, 41" Deck

Item	Part No	Qty	Description	Note
1	7015724	1	PULLEY, Drive	
2	7014799	1	BELT, Drive	
3	7052886	1	BAND, Brake Assembly	<i>Was 57307</i>
4	7032169	1	DRUM, Brake	
5	7047912	1	ASSEMBLY, Brake Arm	
6	7018574	1	PULLEY, Idler	
7	7032587	1	ANCHOR, Brake	
8	7014303	1	NUT, 1/4-20 Tec.	
9	7014302	1	BOLT, 1/4-20 Eye	
10	7011021	1	PIN, Clevis, 1/4x1-1/4"	
11	7029788	1	SPRING, Blade Brake	<i>Was 23172</i>
12	7035434	1	CABLE, Blade 28.5" Long	<i>Was 19040</i>
13	7074467	1	NUT, 3/4-16 Hex Jam	<i>Was 10027</i>
14	7091576	1	NUT, 1/4-20 Hex	<i>Was 90063</i>
15	7090167	1	SCREW, 3/8-24x2" Hex Head Cap (Gr. 5)	
16	7010740	2	RING, 2" External Retaining	
17	7090289	2	NUT, 3/8-24 Hex Lock	

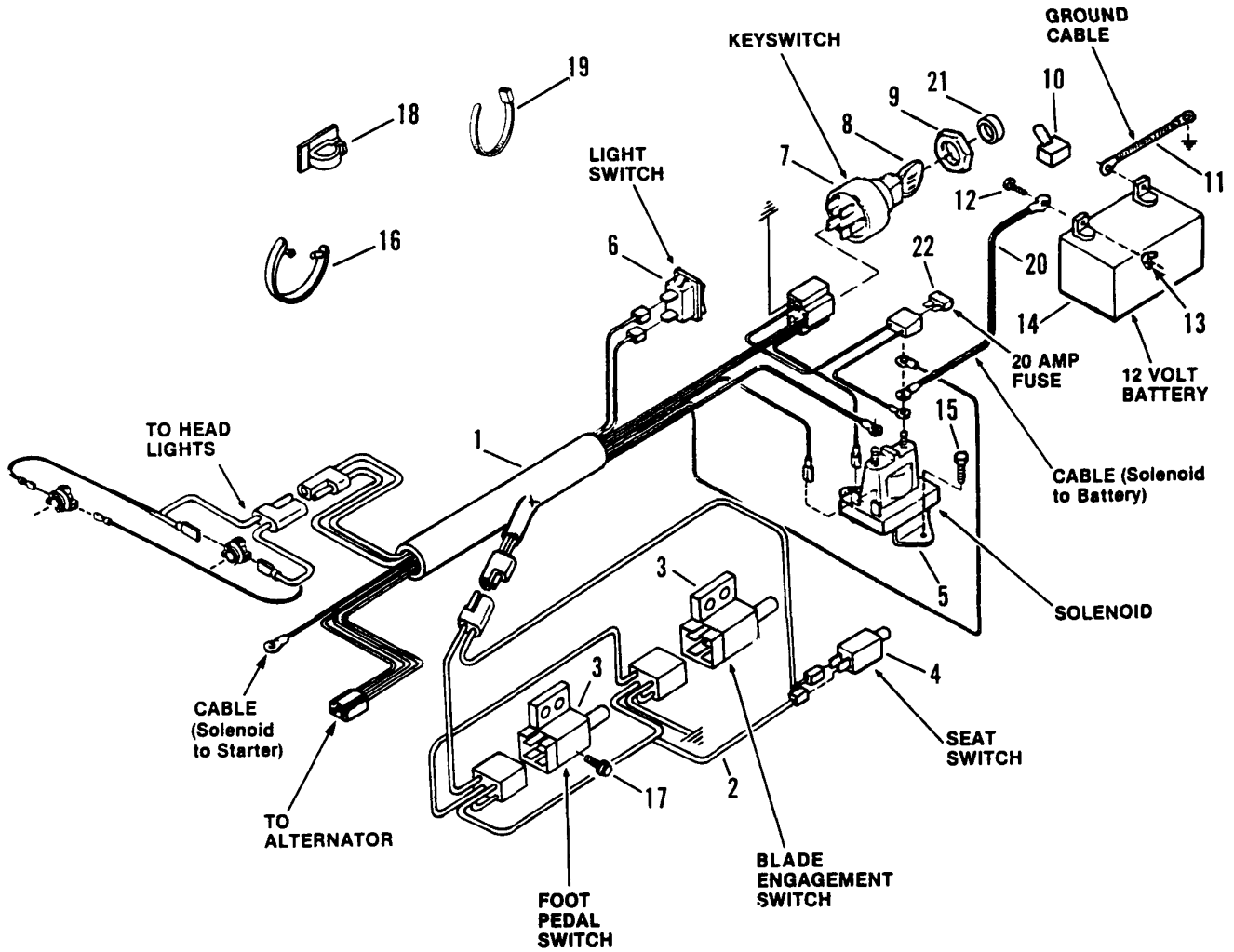
Footnotes:



Fuel Tank, Battery

Item	Part No	Qty	Description	Note
16	7014475	1	CABLE, Negative Terminal 15" 8 AWG Black	
17	7091568	3	WING-NUT, 1/4-20	<i>Was 90311</i>
18	7091294	1	WASHER, 1/4 SAE	<i>Was 90055</i>
19	7091530	2	BOLT, 1/4-20x3/4" Short Neck Carr.	<i>Was 90074</i>
20	7012444	1	COVER, Positive Terminal	
21	7014434	1	CLAMP, Battery	
22	7014476	1	CABLE, Positive Terminal 11" 8 AWG Red	
23	7060618	1	KIT, Battery, 12 Volt	
24	7023194	1	HOLD-DOWN, Battery	
25	7012515	1	CAP, Fuel Tank	<i>Was 14363</i>
26	7052258	1	TANK, Fuel w/cap	<i>(Includes item 25)</i>
27	7029900	2	CLAMP, Fuel Line	<i>Was 12222</i>
28		1	LINE, Fuel (3" Long)(No longer available)	<i>Was 32542</i>
29	7023195	1	CABLE-TIE, Fuel Tank Hold-Down	
32		1	HEAT SHIELD, Fuel Tank 3" x 5.5" (No longer available)	<i>Was 17788</i>

Footnotes:



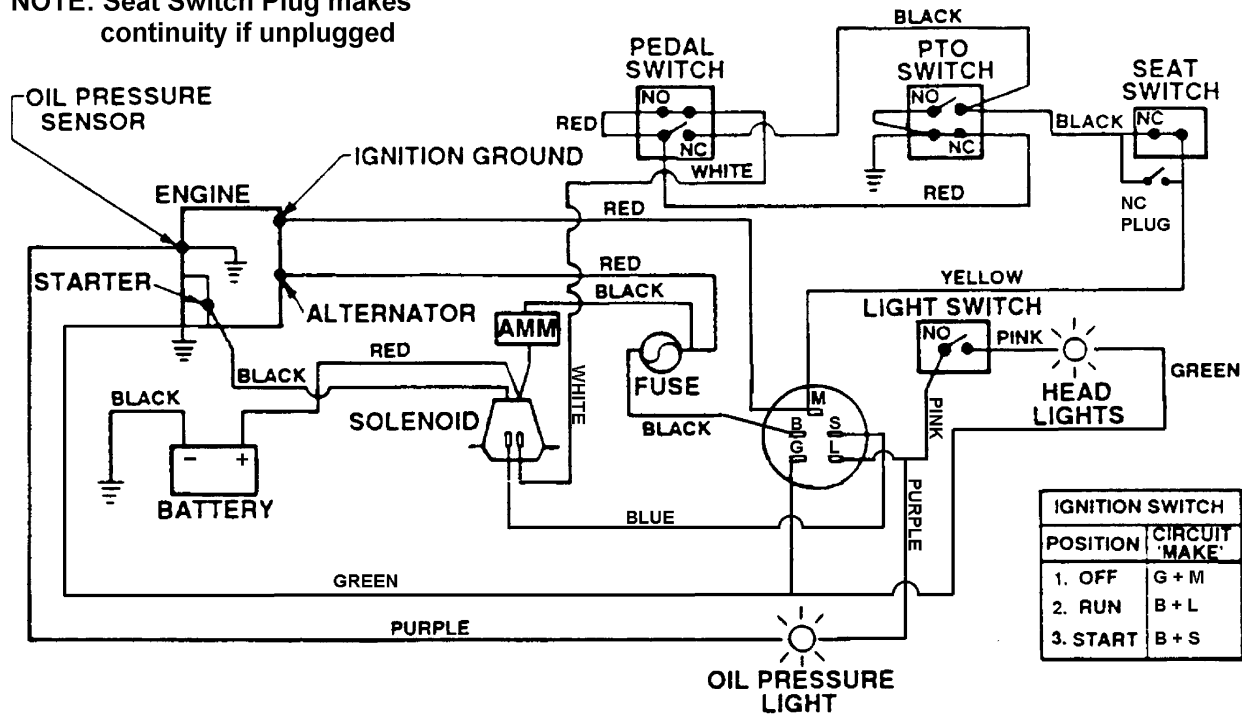
Electrical System

Item	Part No	Qty	Description	Note
1	7022699	1	HARNESS, Wiring (KOHLEK)	
2	7019043	1	HARNESS, Interlock	
3	7023355	2	SWITCH, Clutch & PTO	
4	7023354	1	SWITCH, Seat NC	Was 17590
5	7075622	1	SOLENOID	Was 18604
6	7023187	1	SWITCH, Light	
7	7014562	1	SWITCH, Key	(Includes 2 Item 9)
8	7073406	2	KEY, Switch (With Cover)	Was 23504
9	7012685	1	NUT, 5/8-32 Hex	Was 23505
10	7012444	1	COVER, Positive Terminal	
11	7014475	1	CABLE, Negative 15" 8 AWG Black	
12	7091530	2	BOLT, 1/4-20x3/4 Carriage	Was 90074
13	7091568	2	WING NUT, 1/4-20	Was 90311
14	7060618	1	KIT, Battery	
15	7091122	2	SCREW, 1/4-20x1/2" Self-Tapping	Was 90539
16	7014451	2	TIE, Wire	
17	7090913	4	SCREW, #10-24 x 1/2" Hex Washer Self-Tap (Torx)	Was 90307
18	7012691	2	CLIP	
19	7012080	2	TIE, Cable 7"	
20	7014476	1	CABLE, Positive 11" 8 AWG Red	
21	7023506	1	BEZEL	
22	7023653	1	FUSE, 20 Amp	
		1	RETAINER, 1/2 (Not shown on back of light switch)(No longer available)	Was 16245

Footnotes:

Schematic Electrical System (Kohler Engines Only)

NOTE: Switches shown with,
 Pedal locked down
 Blade disengaged
 Seat vacant
 NOTE: Seat Switch Plug makes
 continuity if unplugged



Schematic Electrical System (Kohler Engines Only)

Item	Part No	Qty	Description	Note
			Wiring schematic includes harness #'s 7022699 & 7024126	

Footnotes:

Parts Manual for

SNAPPER[®]

LAWN TRACTOR MANUAL CLUTCH HYDRO DRIVE (1991) SERIES 1

IT IS THE POLICY OF SNAPPER TO IMPROVE ITS PRODUCTS
WHENEVER IT IS POSSIBLE AND PRACTICAL TO DO SO. WE
RESERVE THE RIGHT TO MAKE CHANGES OR ADD IMPROVEMENTS
AT ANY TIME WITHOUT INCURRING ANY OBLIGATION TO MAKE
SUCH CHANGES ON PRODUCTS MANUFACTURED PREVIOUSLY.

SNAPPER[®] McDonough, GA, 30253 U.S.A.