

Parts Manual for
SNAPPER®

**YARD CRUISER
HYDRO DRIVE
HZ SERIES 3 & YZ SERIES 4**

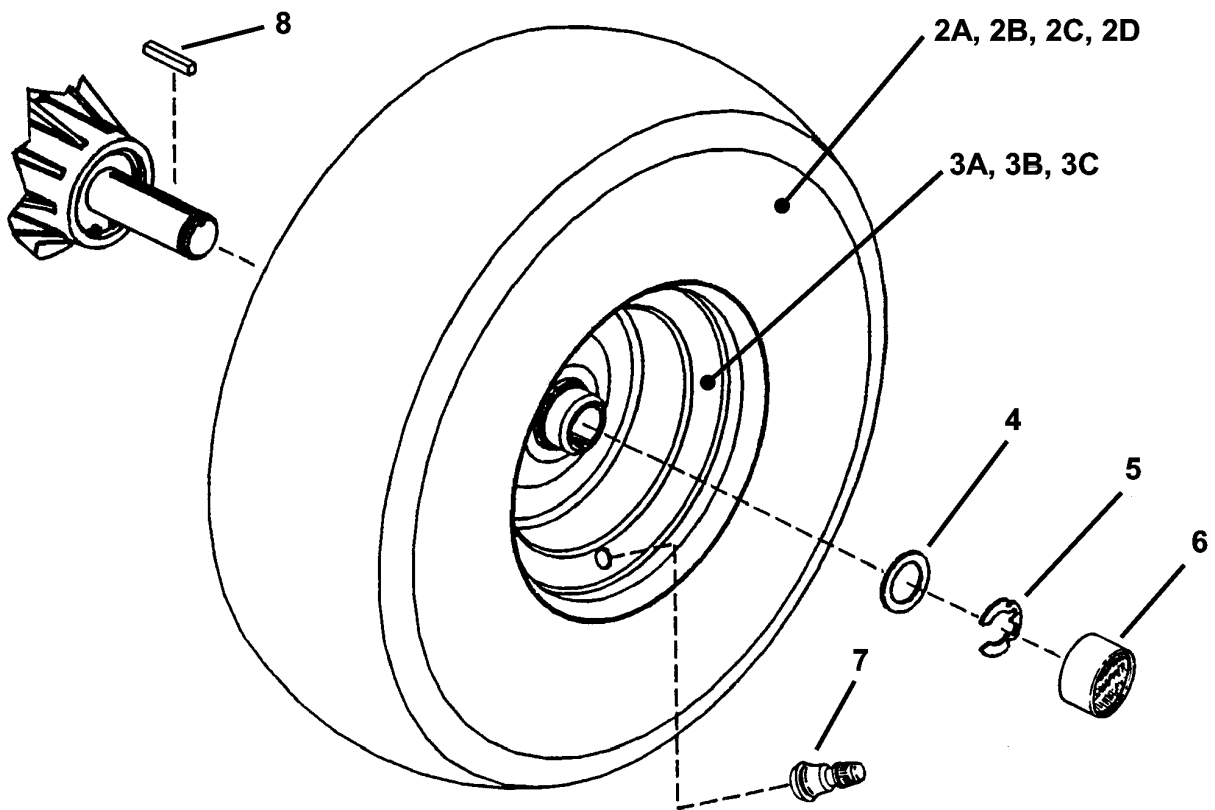


MODEL
HZS15423KVE
HZS18483BVE
YZ16424BVE
YZ20484BVE

SNAPPER® McDonough, GA, 30253 U.S.A.

PAGE	GROUP
4	Wheels - Rear
6	Caster, Front Wheel & Tire Assembly
8	42" Front Frame & Cover Assembly
10	48" Front Frame & Cover Assembly
12	Rear Frame Assembly
16	Fuel Tank & Operator's Seat
20	Fuel Tank & Operator's Seat (YZ Series 4) (Part 1)
22	Fuel Tank & Operator's Seat (YZ Series 4) (Part 2)
24	Fender & Transaxle Assembly
28	Clutch Assembly
30	Brake/Clutch Lever Assembly
32	Engine Components
36	Deck Lift Handle Assembly (Except 48" Model)
38	48" Deck Lift Handle Assembly
40	42" Mower Deck Assembly (Part 1)
42	42" Mower Deck Assembly (Part 2)
44	42" Mower Deck Assembly (Part 3)
46	48" Mower Deck Assembly (Series 3) (Part 1)
48	48" Mower Deck Assembly (Series 3) (Part 2)
50	48" Mower Deck Assembly (Series 4) (Part 1)
52	48" Mower Deck Assembly (Series 4) (Part 2)
54	42" Spindle Assembly
56	48" Spindle Assembly (Series 3)
58	48" Spindle Assembly (Series 4)
60	Decals (Part 1)
62	Decals (Part 2)
64	Decals (Part 3)
66	Electrical Components (Part 1)
68	Electrical Components (Part 2)
70	Wiring Schematics
72	Wiring Schematics

1 ASSEMBLY



Wheels - Rear

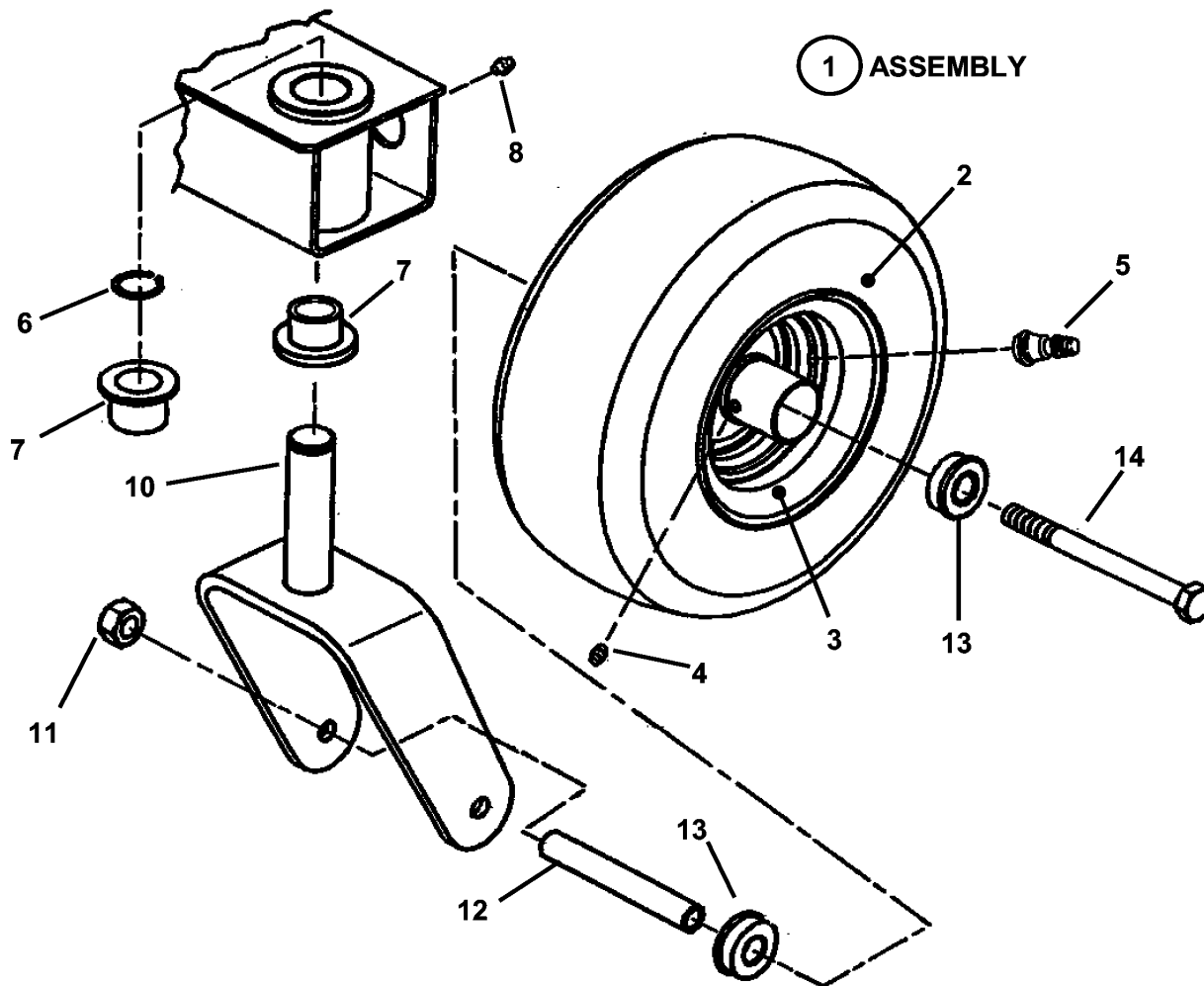
Item	Part No	Qty	Description	Note
1	7057686	2	ASSEMBLY, Rear Tire & Rim	<i>(Includes Items 2A, 3A, & 7)</i> <i>(42" Models) Multi-Trac</i>
	7057999		ASSEMBLY, Right Hand Tire & Rim	<i>(Includes Items 2B, 3B & 7) (48" Models)</i>
	7058000		ASSEMBLY, Left Hand Tire & Rim	<i>(Includes Items 2B, 3B & 7) (48" Models)</i>
2A	7072706		TIRE, 18 x 9.50-8	<i>Was 46339 (42" Models)</i>
2B	7046429		TIRE, 18 x 8 All Terrain Tread	<i>(48" Models)</i>
2C			UNKNOWN	
2D			UNKNOWN	
3A	7035562		RIM, 18 x 8.50	<i>(42" Models)</i>
3B	7058156		RIM, 18 x 8	<i>(48" Models)</i>
3C			UNKNOWN	
4	7072028	2	BUSHING, Machine	
5	7091764	2	RING, Retaining, External 1"	
6	7011022	2	CAP, Hub	
7	7012234		STEM, Valve	
8	7042940	2	KEY, M6 x 38 Square	
	7063069		All-Terrain Tire HOZ Kit	
	7057999	2	Wheel Assy, 18X8 AT, RH	
	7058000		Wheel Assy, AT, LH	

Footnotes:

Kit #6-3069 is made up of tire assemblies 5-7999 and 5-8000 (one each)

Kit #6-3069 is made up of tire assemblies 5-7999 and 5-8000 (one each)

Caster, Front Wheel & Tire Assembly

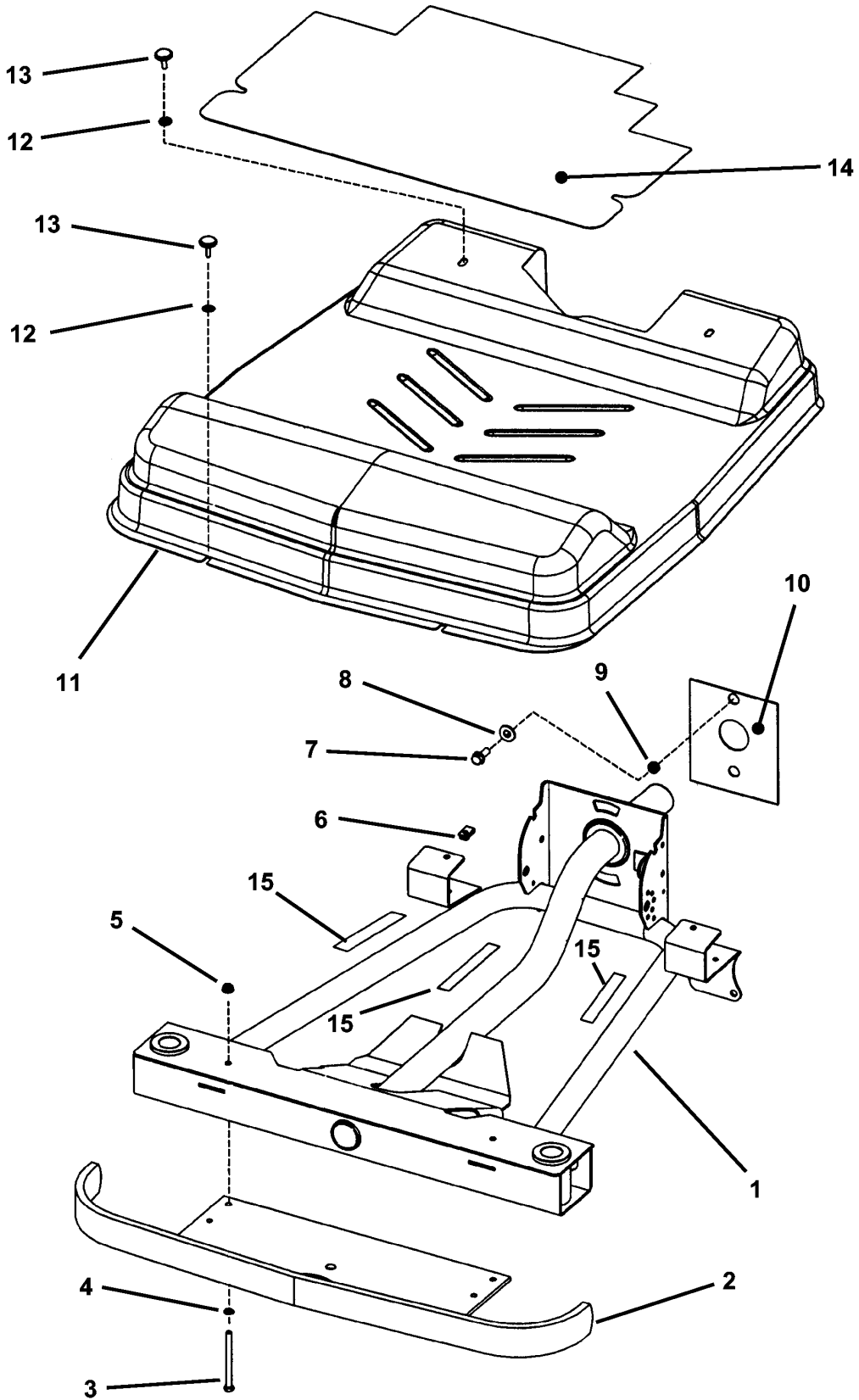


Caster, Front Wheel & Tire Assembly

Item	Part No	Qty	Description	Note
1	7053980	2	ASSEMBLY, Front Wheel & Tire (Complete)	<i>(Includes Items 2 thru 6)</i>
2	7035618		TIRE, 11 x 4.00-5, Smooth Tread	
3	7072197		RIM, Caster Wheel	<i>Was 29122</i>
4	7014247		FITTING, Lube	
5	7012234		VALVE, Air (Snap-in)	
6	7012709	2	RING, 1" External Retaining	
7	7023556	2	BUSHING, Caster	
8	7013864	2	LUBE FITTING, Straight (press-fit for .187 dia. Hole)	
10	7041783	2	CASTER, Pivot Yoke	
11	7090839	2	NUT, 7/16-14 Hex Center Lock	
12	7035359	2	TUBE, 5/8 O.D. x 14 Ga. x 4.51	
13	7035358	4	BEARING, Ball 5/8 x 1-3/8"	
14	7091772	2	SCREW, 7/16-14 x 6" Hex Head Cap, Grade 5	

Footnotes:

42" Front Frame & Cover Assembly

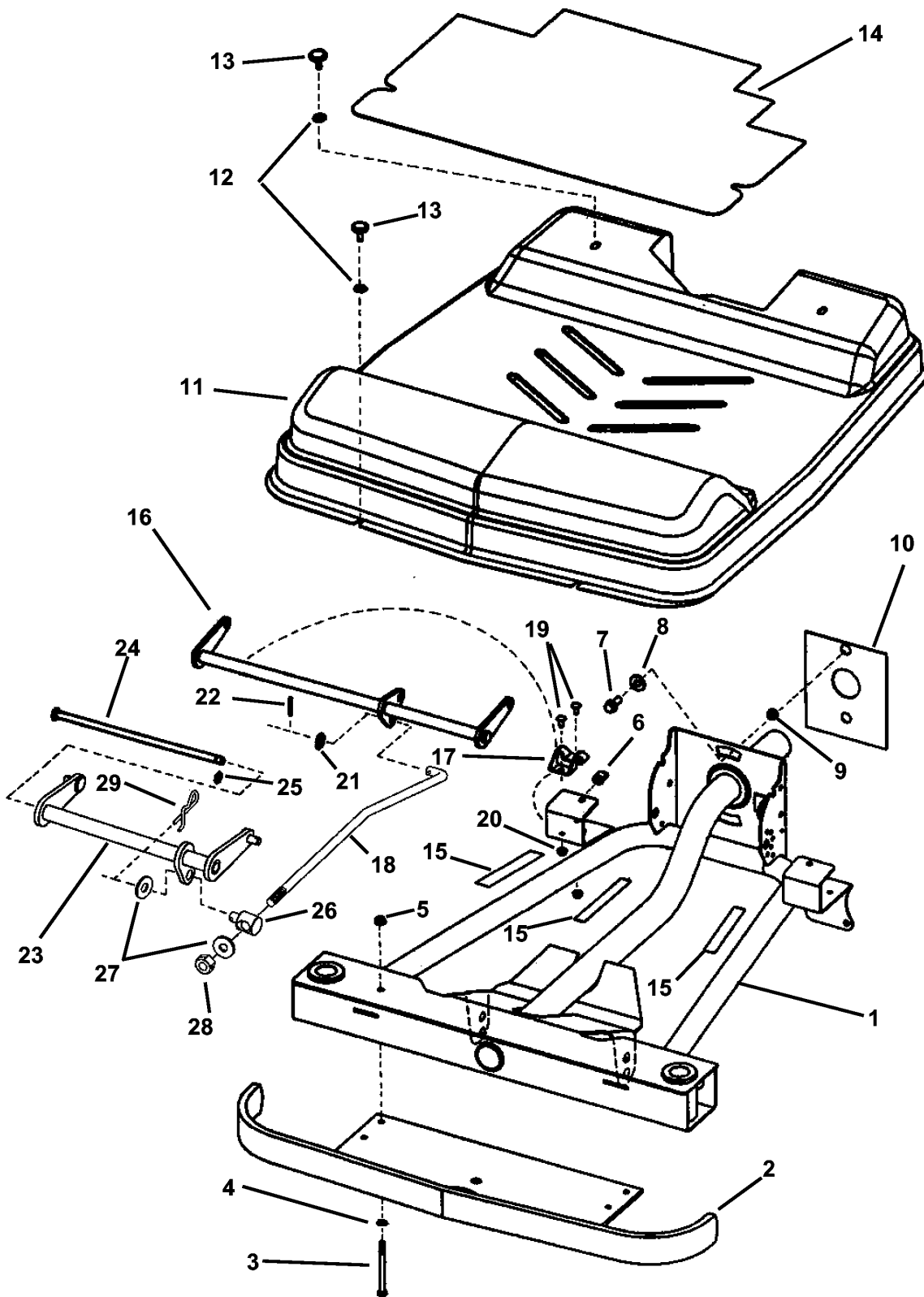


42" Front Frame & Cover Assembly

Item	Part No	Qty	Description	Note
1	7059380		FRAME, Front	
2	7042921		BUMPER, Front	
3	7091058	2	BOLT, 5/16-18 x 3-3/4"	
4	7091315	2	WASHER, 5/16" Split Lock	
5	7091601	2	NUT, 5/16-18 Hex Flange Lock, Grade 5	Was 91070
6	7028260	2	FASTENER, "U" Type 1/4"-20	
7	7090324	2	SCREW, 3/8-16 x 1" Hex Washer Face, Self-Tap	
8	7090122	2	WASHER, 3/8" Flat (was 90517)	
9	7035375	2	SPACER, Front Frame Pivot	
10	7035374		PLATE, Front Frame Pivot	
11	7046895		FLOOR, Front Frame	
12	7091890	4	WASHER, 1/4" Internal/External Lock	
13	7023341	4	KNOB	
14	7072141		FLOOR MAT	
15	7041818	3	PAD, Floor Pan	

Footnotes:

48" Front Frame & Cover Assembly

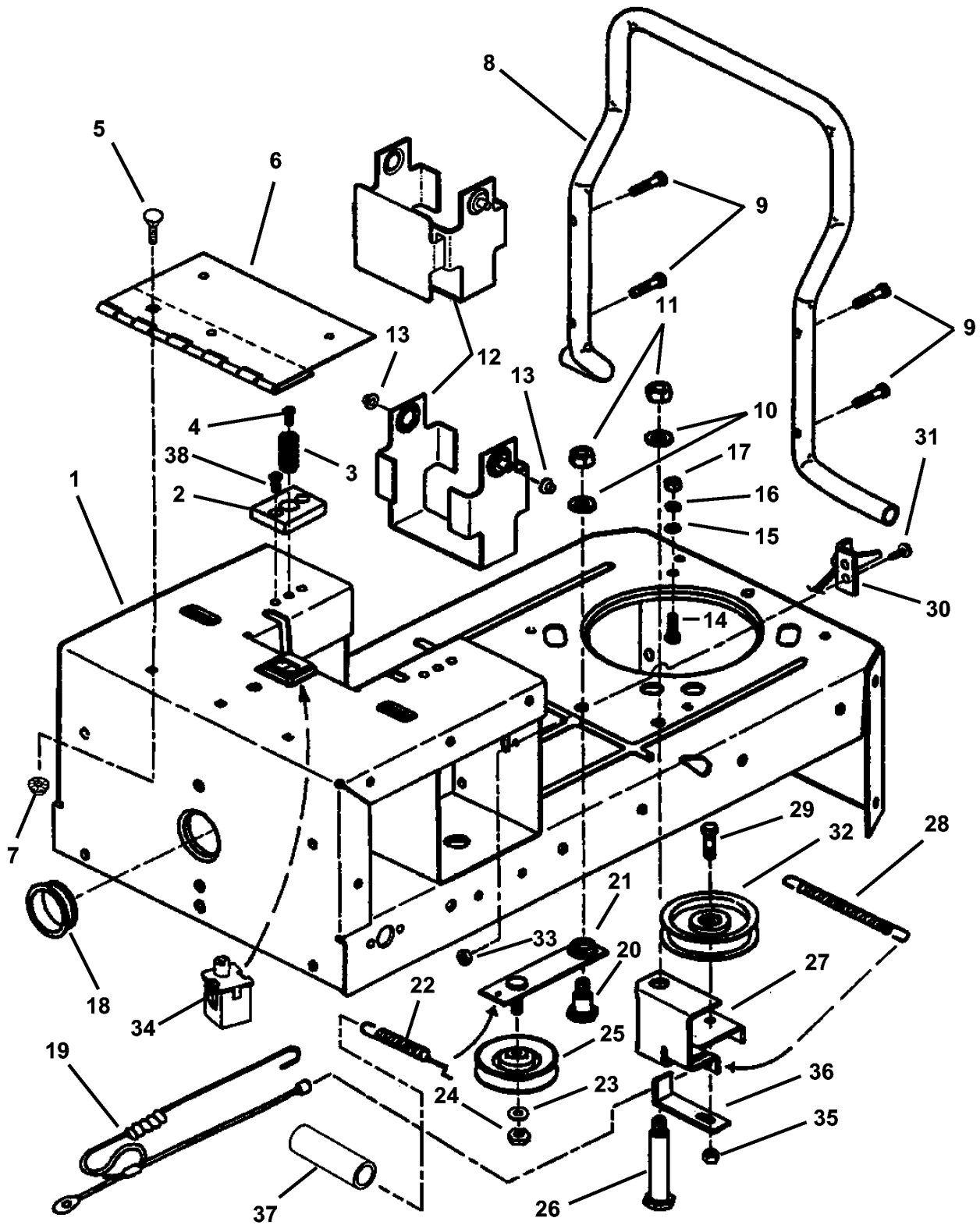


48" Front Frame & Cover Assembly

Item	Part No	Qty	Description	Note
1	7059380		WELDMENT, Front Frame	
2	7042921		WELDMENT, Front Bumper	
3	7091058	2	BOLT, 5/16-18 x 3-3/4" Hex Cap	
4	7091315	2	WASHER, 5/16" Split Lock	
5	7091601	2	NUT, 5/16-18 Hex Flange Lock, Grade 5	Was 91070
6	7028260	2	FASTENER, "U" Type 1/4"-20	
7	7090324	2	SCREW, 3/8-16 x 1" Hex Washer Face, Self-Tap	
8	7090122	2	WASHER, 3/8" Flat (was 90517)	
9	7035375	2	SPACER, Front Frame Pivot	
10	7035374		PLATE, Front Frame Pivot	
11	7046895		FLOOR, Front Frame	
12	7091890	4	WASHER, 1/4" Internal/External Lock	
13	7023341	4	KNOB	
14	7072141		FLOOR MAT	
15	7041818	3	PAD, Floor Pan	
16	7047060		WELDMENT, Rear Lift	
17	7047099		BRACKET, Saddle	
18	7074256		ROD, Timing	
19	7091573	4	BOLT, 1/4-20 x 5/8" Short Square Neck Carriage	Was 90551
20	7091584	4	NUT, 1/4-20 Flange Lock	Was 90583
21	7090667	2	WASHER, 1/2" Flat	
22	7091598		PIN, 1/8 x 1" Cotter	Was 90041
23	7059240		WELDMENT, Front Lift	
24	7022717		ROD, Deck Support	
25	7017847		RING, .438 External Retaining	
26	7046599		SWIVEL	
27	7090250	2	WASHER, 1/2 Flat	
28	7091894		NUT, 1/2-13 Hex	
29	7091947		PIN, 1/8 x 1/2" Locking Hair	

Footnotes:

Rear Frame Assembly

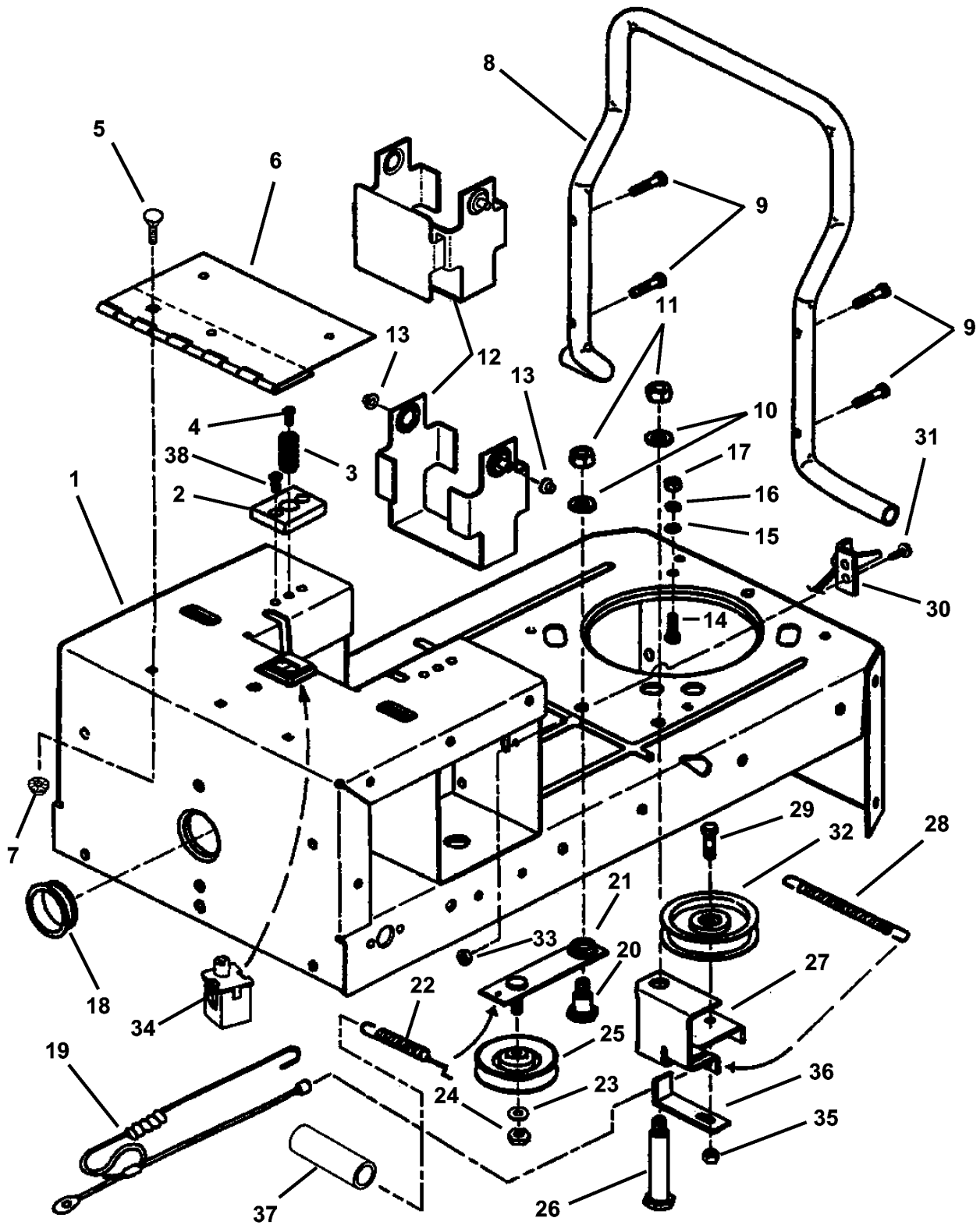


Rear Frame Assembly

Item	Part No	Qty	Description	Note
1	7041782		FRAME, Rear	
2	7035368	2	CUSHION, Seat Support	
3	7035369	2	SPRING, Seat Support	
4	7090999	6	SCREW, 1/4-20 x 5/8" Pan Head, Self-Tapping	
5	7090731	3	BOLT, 5/16-18 x 1/2" Carriage, Grade 5	Was 90004
6	7034959		HINGE, Seat	
7	7091601	2	NUT, 5/16-18 Hex Flange Lock, Grade 5	Was 91070
8	7033587		BUMPER, Rear	
9	7091506	4	SCREW, 5/16-18 x 1-1/2" Hex Washer Head, Self-Tapping	
10	7091587	2	WASHER, 1/2" Flat	
11	7091316	2	NUT, 1/2-13 Hex, Grade B	
12	7041793		BRACKET, Battery	
	7058238		BRACKET, Battery 48" Deck Only)	
13	7013321	2	BUSHING	
14	7090238	4	SCREW, 5/16-24 x 1" Hex Head Cap	
15	7011791	4	RETAINER, 5/16 Bolt	
16	7091315	4	WASHER, 5/16 Split Lock	
17	7091297	4	NUT, 5/16-24 Hex, Grade 5	
18	7011033	2	GROMMET	
19	7029464		CABLE, Brake/Clutch	
20	7091730		BOLT, 1/2-13 x 5/8" Thread, .75 x .788 Shoulder	
21	7058728		WELDMENT, Primary Idler Arm	
22	7058692		SPRING, Clutch/Brake (5" long)	
23	7090122		WASHER, 3/8" Flat	Was 91514
24	7091585		NUT, 3/8-16 Hex Center Lock, Grade 5	
25	7024344		PULLEY, Idler 3.30 Dia.	
26	7091725		BOLT, 1/2-13 x 5/8" Thread, .75 x 3.23 Shoulder	
27	7034937		BRACKET, Hydraulic Idler	
28	7045168		SPRING, Drive Idler (3/4" x 10" long)	
29	7027168		SCREW, 5/16-18 x 1" Hex Head Cap, Grade 5	
30	7039485		CABLE, Hydro Release Valve	
31	7091240	2	SCREW, #10-32 x 5/8" Hex Washer Head, Machine	
32	7018574		IDLER, 4.12 Flat	
33	7090376	2	NUT, #10-32 Hex Nyloc	
34	7022886		SWITCH, Seat (NC/NO)	
35	7091575		NUT, 5/16-18 Hex Center Lock	
36	7034938		GUIDE, Belt	

Footnotes:

Rear Frame Assembly

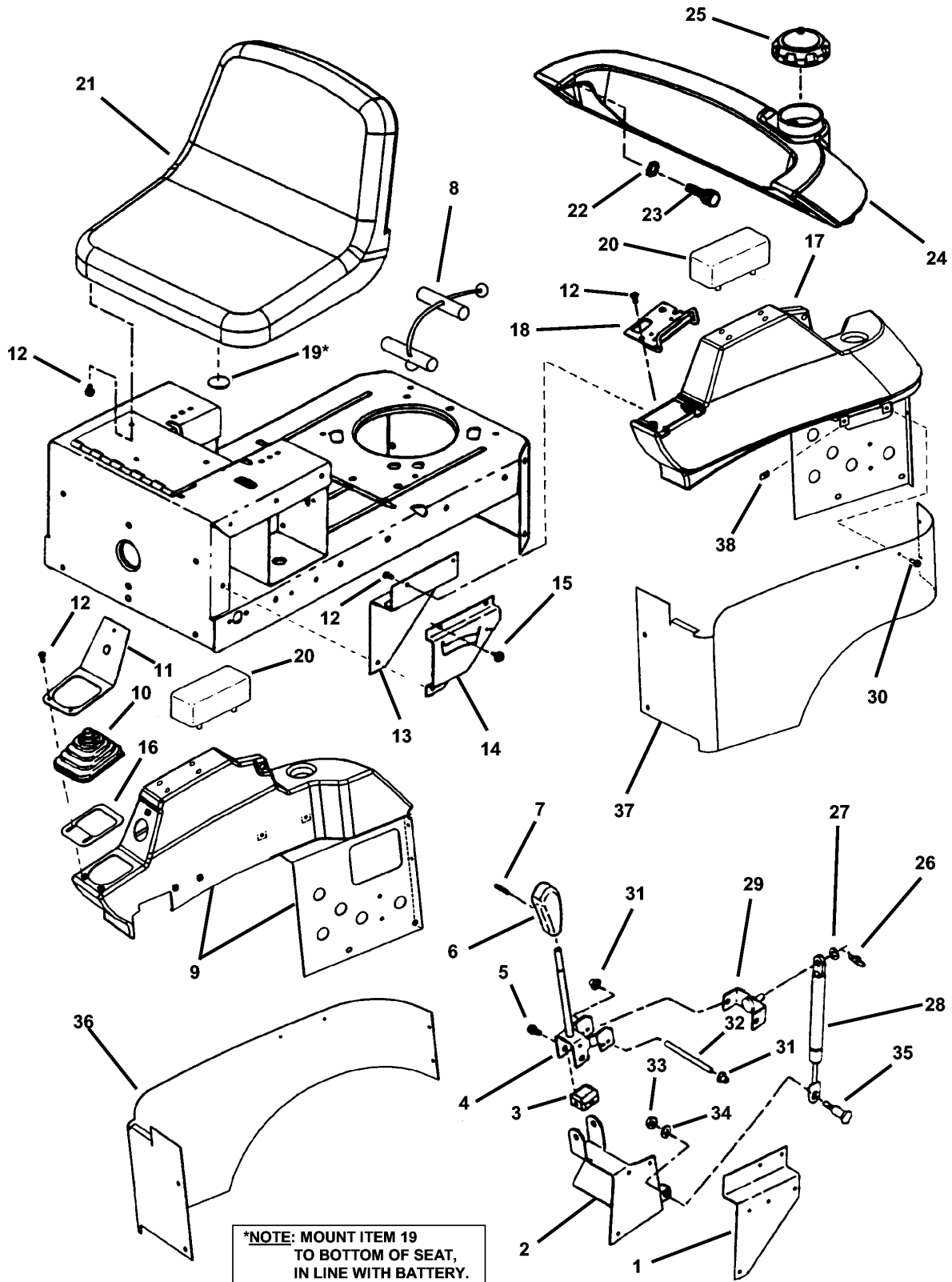


Rear Frame Assembly

Item	Part No	Qty	Description	Note
37	7058691		COVER, Spring	
38	7091272	4	FASTENER, Ratchet	

Footnotes:

Fuel Tank & Operator's Seat

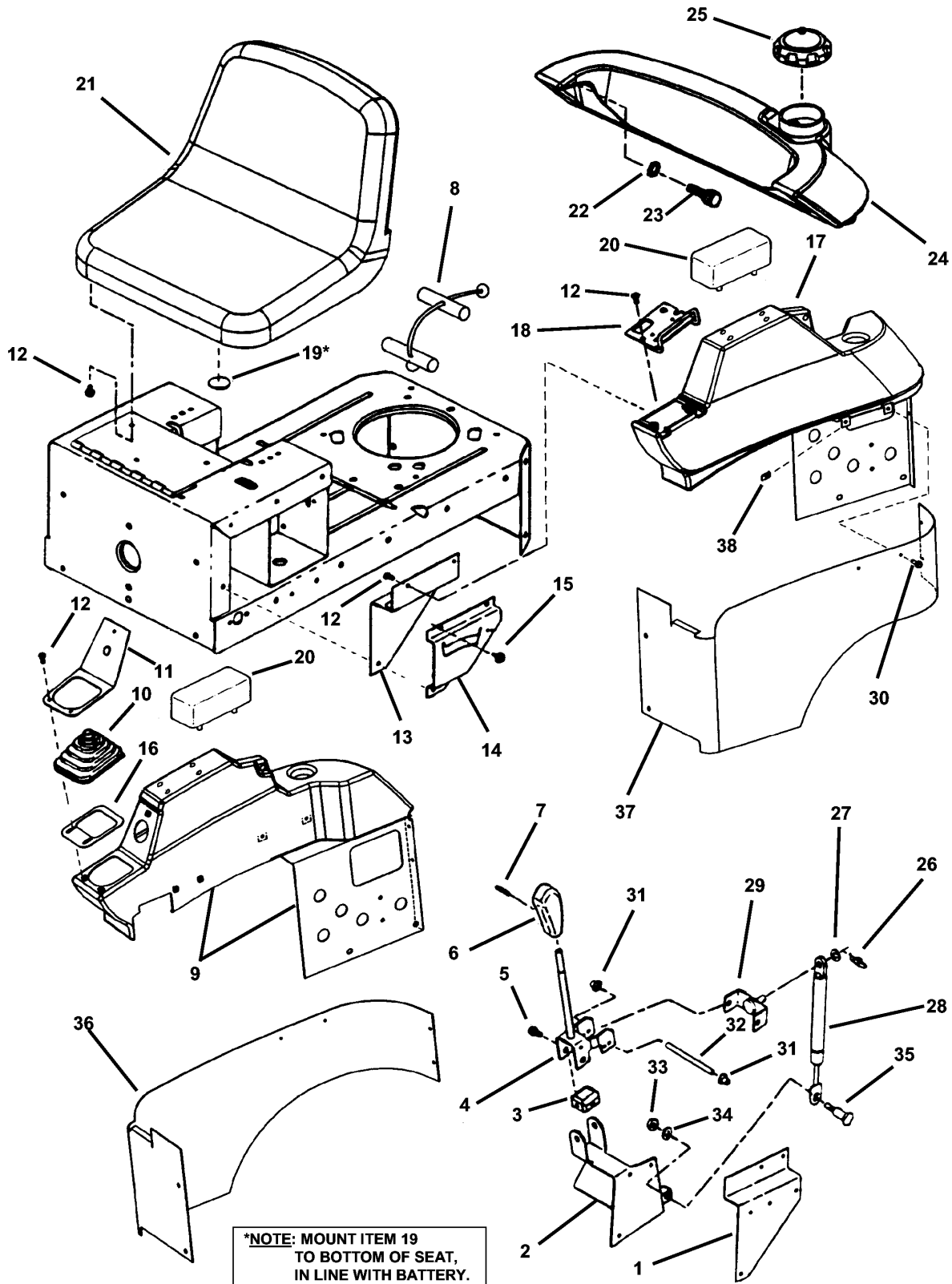


Fuel Tank & Operator's Seat

Item	Part No	Qty	Description	Note
1	7035483		BRACKET, Right Hand Tank Support	
2	7042637		BRACKET, Joystick	
3	7035533		PIVOT, Joystick Control	
4	7042636		HANDLE, Joystick Control	
5	7091800	4	BOLT, 5/16-18 x 3/4" Shoulder	
6	7023656		LEVER, Shift Handle	
7	7090844		PIN, 3/16 x 3/4" Roll	
8	7046561		TETHER, Seat	
9	7058254		ASSEMBLY, R.H. Fender	
10	7035936		BOOT, Joystick, Rubber	
11	7035935		BRACKET, Joystick/Key	
12	7090999	10	SCREW, 1/4 x 5/8" Pan Head Self-Tapping	
13	7035481		BRACKET, Left Hand Tank Support	
14	7035482		BRACKET, Brake/Clutch Detent	
15	7091819	6	SCREW, 1/4-20 x 5/8" Self-Tapping	Was 90362
16	7046442		SPEED PLATE	
17	7058253		ASSEMBLY, L.H. Fender	
18	7042644		GUARD, Throttle Control	
19	7044676		BUMPER, Battery	
20	7044855	2	ARM REST,	
21	7044897		SEAT	(All Models)
22	7091890	2	WASHER, 1/4" Internal/External Tooth	
23	7035920	2	SCREW, 1/4-20 x 1-1/2" Thumb	
24	7035478		ASSEMBLY, Fuel Tank	(Includes item 25)
25	7044711		CAP, Fuel Tank	(w/Gage & Screw Vent)
26	7091593		COTTER-PIN, 3/8 Self Locking	
27	7090188		WASHER, 11/32 x 11/16" Flat	Was 91296
28	7044717		CYLINDER, Joystick Control	
29	7044763		BRACKET, Joystick Control	
30	7091631	8	SCREW, #10-24 x 1/2" Machine	
31	7091020	2	PUSH-NUT, 1/4"	
32	7044702		PIN, Joystick	
33	7091511		NUT, 5/16-18 Hex, Grade 5	
34	7091315		WASHER, 21/64 Split Lock	
35	7014664		BOLT, 5/16-18 Shoulder	
36	7046911		FENDER, R.H. Steel	
37	7046910		FENDER, L.H. Steel	

Footnotes:

Fuel Tank & Operator's Seat

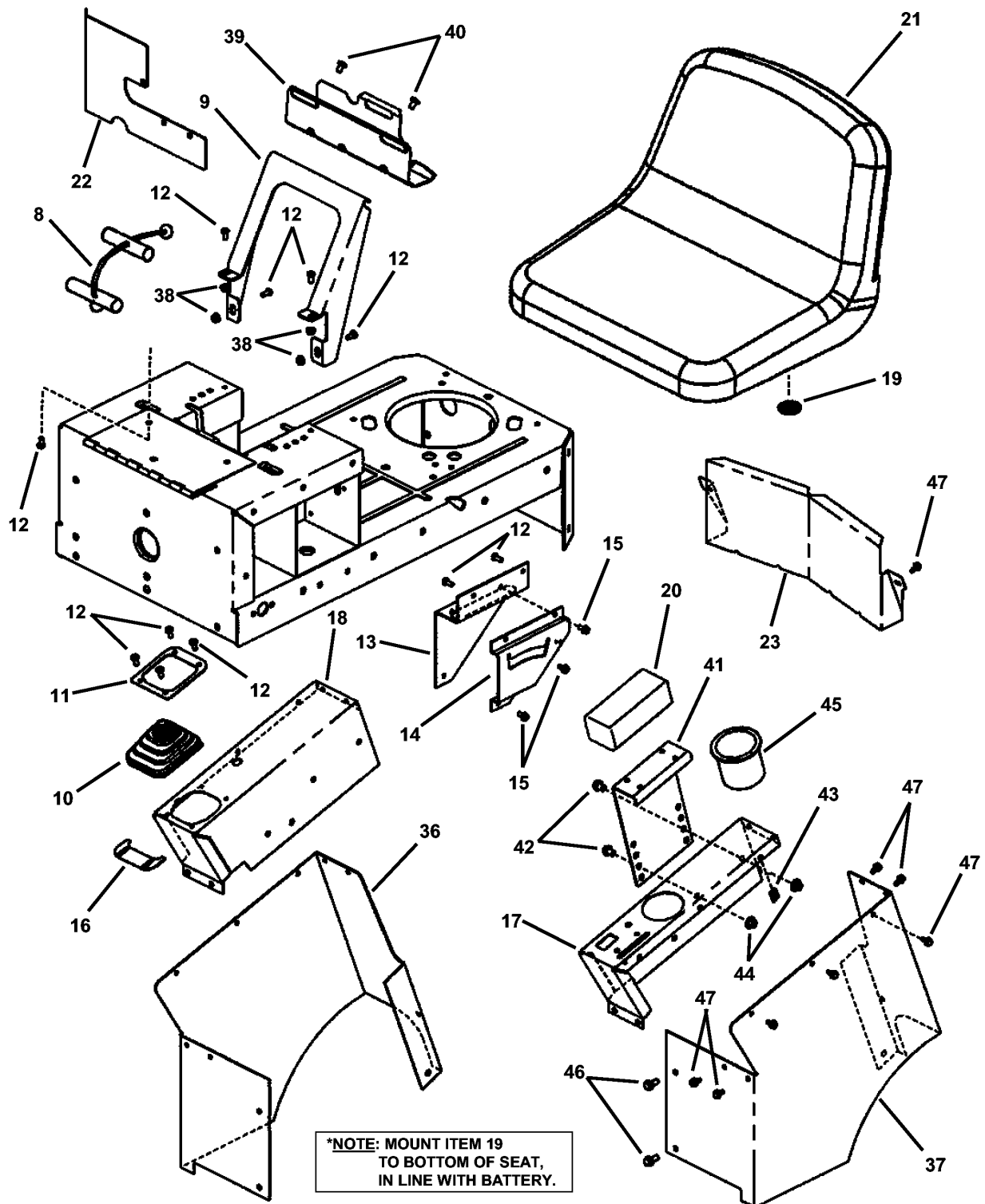


Fuel Tank & Operator's Seat

Item	Part No	Qty	Description	Note
38	7091056	8	U-CLIP, #10-24	

Footnotes:

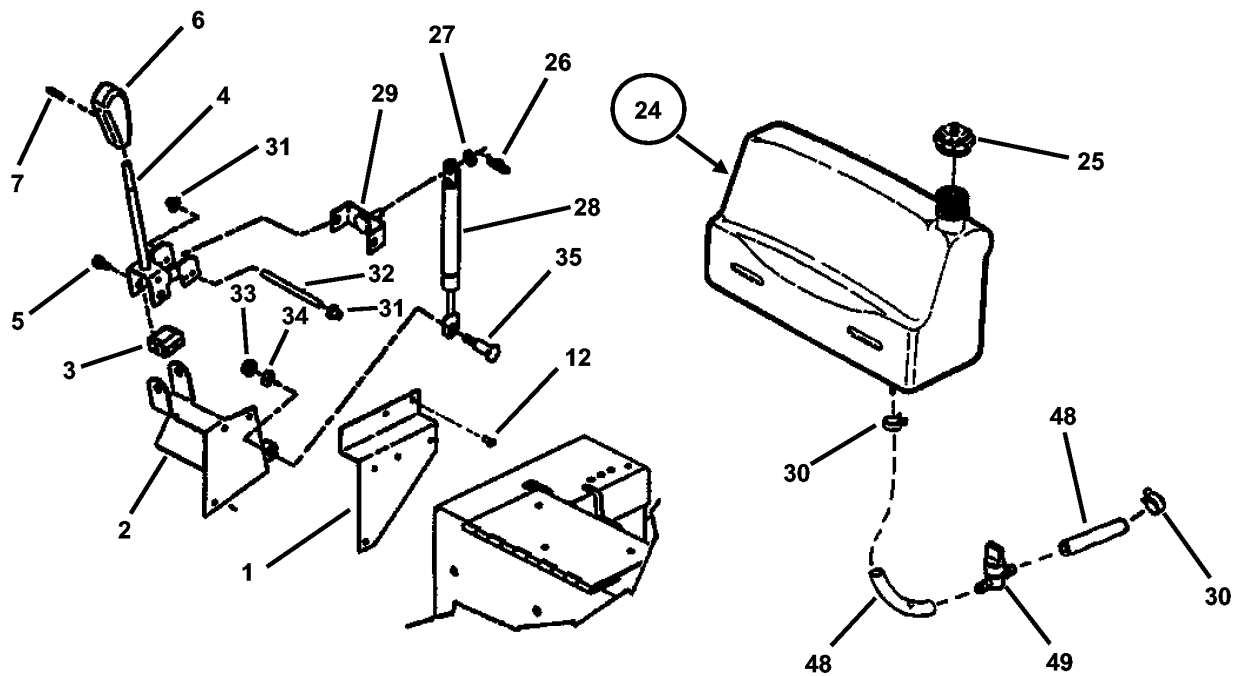
Fuel Tank & Operator's Seat (YZ Series 4) (Part 1)



Fuel Tank & Operator's Seat (YZ Series 4) (Part 1)

Item	Part No	Qty	Description	Note
8	7046561		TETHER, Seat	
9	7075072		BRACKET, Fuel Tank	
10	7035936		BOOT, Joystick, Rubber	
11	7046246		BRACKET, Joystick Boot	
12	7090999	10	SCREW, 1/4 x 5/8" Pan Head Self-Tap	
13	7035481		BRACKET, Left Hand Tank Support	
14	7035482		BRACKET, Brake/Clutch Detent	
15	7091964	6	BOLT, 1/4-20 x 1/2" Hex Flange Lock	
16	7046494		STOP, Joystick	
17	7063266		PANEL, L. H. Control	
18	7041840		PANEL, R. H. Control	
19	7044676		BUMPER, Battery	
21	7044897		SEAT (All Models)	
22	7075181		HEAT SHIELD, Operator (42" Deck)	
23	7075180		HEAT SHIELD, Operator (48" Deck)	
36	7041831		FENDER, R.H. Steel	
37	7041884		FENDER, L.H. Steel	
38	7091584	4	NUT, 1/4-20 Hex Flange Lock	Was 90583
39	7033377		BRACKET, Fuel Tank	
40	7091542	2	SCREW, 5/16-18 x 1/2" Pan Head Self-Tap (Torx)	
41	7046231	2	BRACKET, Arm rest	
42	7091525	4	BOLT, 5/16-18 x 1/2" Hex Flange Lock, Grade 5	
43	7091954	14	U-CLIP, 1/4	
44	7090951		NUT, 5/16-18 Hex Large Flange Center Lock	
45	7042968		HOLDER, Beverage	
46	7091541	4	SCREW, 5/16-18 x 3/4" Hex Washer Self-Tap	Was 90368
47	7091122	16	SCREW, 1/4-20 x 1/2" Hex Washer Self-Tap	Was 90539

Footnotes:

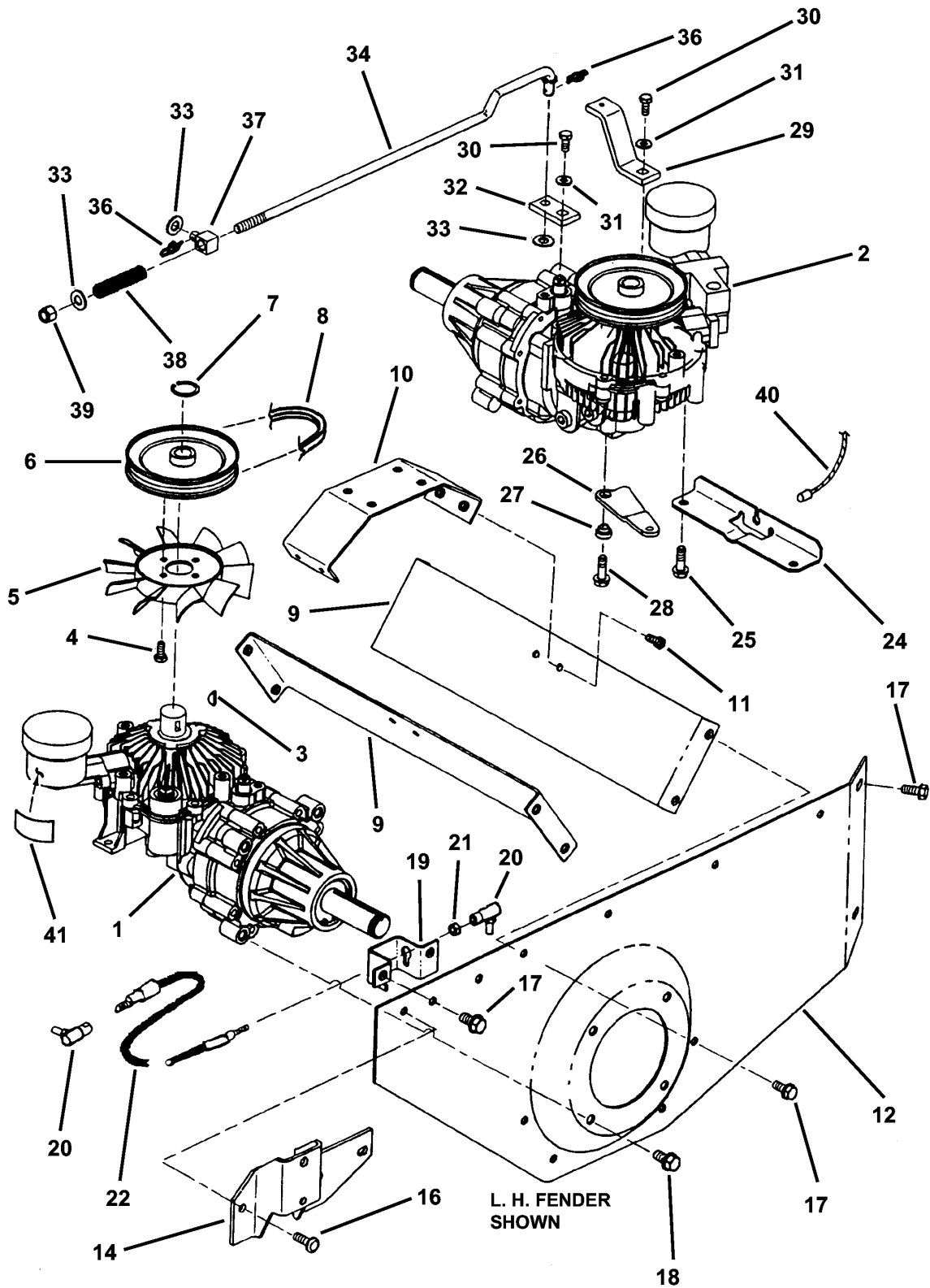


Fuel Tank & Operator's Seat (YZ Series 4) (Part 2)

Item	Part No	Qty	Description	Note
1	7035483		BRACKET, R. Hand Tank Support	
2	7042637		BRACKET, Joystick	
3	7035533		PIVOT, Joystick Control	
4	7042636		WELDMENT, Joystick Control Handle	
5	7091800	4	BOLT, 5/16-18 x 3/4" Shoulder	
6	7023656		LEVER, Shift Handle	
7	7090844		PIN, 3/16 x 3/4" Roll	
12	7090999	10	SCREW, 1/4 x 5/8" Pan Head Self-Tap	
24	7051905		Ass'y, Fuel Tank	(Incl. item 25)
25	7012515		CAP, Fuel Tank (w/screw vent)	
26	7091593		COTTER-PIN, 3/8 Self Locking	
27	7090188		WASHER, 11/32 x 11/16" Flat	Was 91296
28	7044717		CYLINDER, Joystick Control	
29	7044763		BRACKET, Joystick Control	
30	7029900	2	CLAMP, Fuel Hose	
31	7091020	2	PUSH-NUT, 1/4"	
32	7044702		PIN, Joystick	
33	7091511		NUT, 5/16-18 Hex, Grade 5	
35	7014664		BOLT, 5/16-18 Shoulder	
48	7073240	2	LINE, Fuel, 5"	Was 32038
49	7016325		SHUT-OFF VALVE, Fuel	

Footnotes:

Fender & Transaxle Assembly

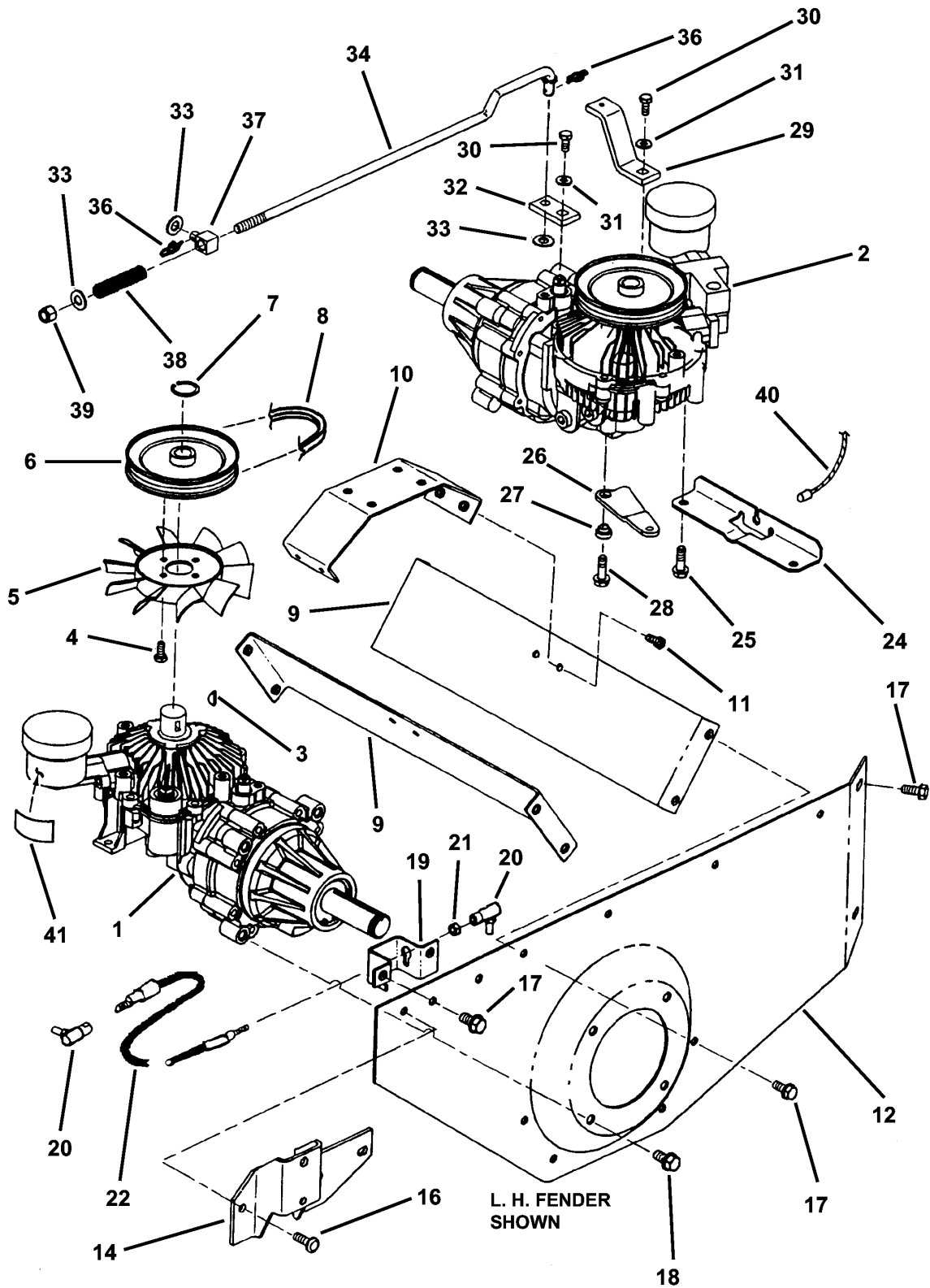


Fender & Transaxle Assembly

Item	Part No	Qty	Description	Note
1	7029128		TRANSAXLE, Hydro L.H. (Eaton Model X778-005)	
2	7029129		TRANSAXLE, Hydro w/o Manifold R.H. (Eaton Model X778-011)	
3	7015894	2	KEY, #605 Woodruff	
4	7091122	8	SCREW, 1/4-20 x 1/2" Self-Tapping	Was 90539
5	7035337	2	FAN, 6" O.D., 10 Blade	
6	7035336	2	PULLEY, Hydro Input	
7	7091771	2	RING, Retaining	
8	7041823		V-BELT, Hydro Drive	
9	7034915	2	BRACKET, Fender Support	
10	7034916		BRACKET, Hydro Support	
11	7091819	4	SCREW, 1/4-20 Hex Washer Head, Self-Tapping	Was 90362
12	7034909		FENDER, L.H,	
13	7034908		FENDER, R.H.	(Not Shown)
14	7034917		BRACKET, Deck Support L.H.	These parts are used on 42" decks only.
15	7035424		BRACKET, Deck Support R.H.	(Not Shown); These parts are used on 42" decks only.
16	7091000	4	SCREW, 5/16-18 x 7/8" Pan Head, Self-Tapping	
17	7091541	26	SCREW, 5/16-18 x 3/4" Hex Washer Head, Self-Tapping	Was 90368
18	7090815	8	SCREW, 3/8-16 x 3/4" Hex Washer Head, Self-Tapping	
19	7034922	2	BRACKET, Hydro Control Cable	
20	7029147	4	ROD END, #10-32 w/Stud	
21	7091801	4	NUT, #10-32 Hex Center Lock	
22	7029170		CABLE, L.H. Hydraulic Control (45.5" long)	
23	7029169		CABLE, R.H. Hydraulic Control (35.0" long)	(Not Shown)
24	7039484		BRACKET, Hydro Release Cable	
25	7090361	2	SCREW, 5/16-18 x 5/8" Hex Washer Head, Self-Tapping	
26	7039483	2	BRACKET, Hydro Release Actuator	
27	7012114	2	BUSHING,	
28	7091841	2	SCREW, 5/16-18 x 1" Hex Washer Head, Self-Tapping	
29	7034913	2	ARM, Brake	
30	7091165	4	BOLT, 1/4-28 x 5/8" Hex Head, Grade 8	
31	7090746	4	WASHER, 1/4 Belleville	
32	7034914	2	ARM, Brake	
33	7090122	6	WASHER, 3/8" Flat	Was 91514
34	7029284		ROD, R.H. Brake	
35	7029142		ROD, L.H. Brake	(Not Shown)
36	7091594	4	COTTER-PIN, 1/16" x 1.42" Self-Locking	Was 24874
37	7024586	2	LINK, Swivel Brake	

Footnotes:

Fender & Transaxle Assembly

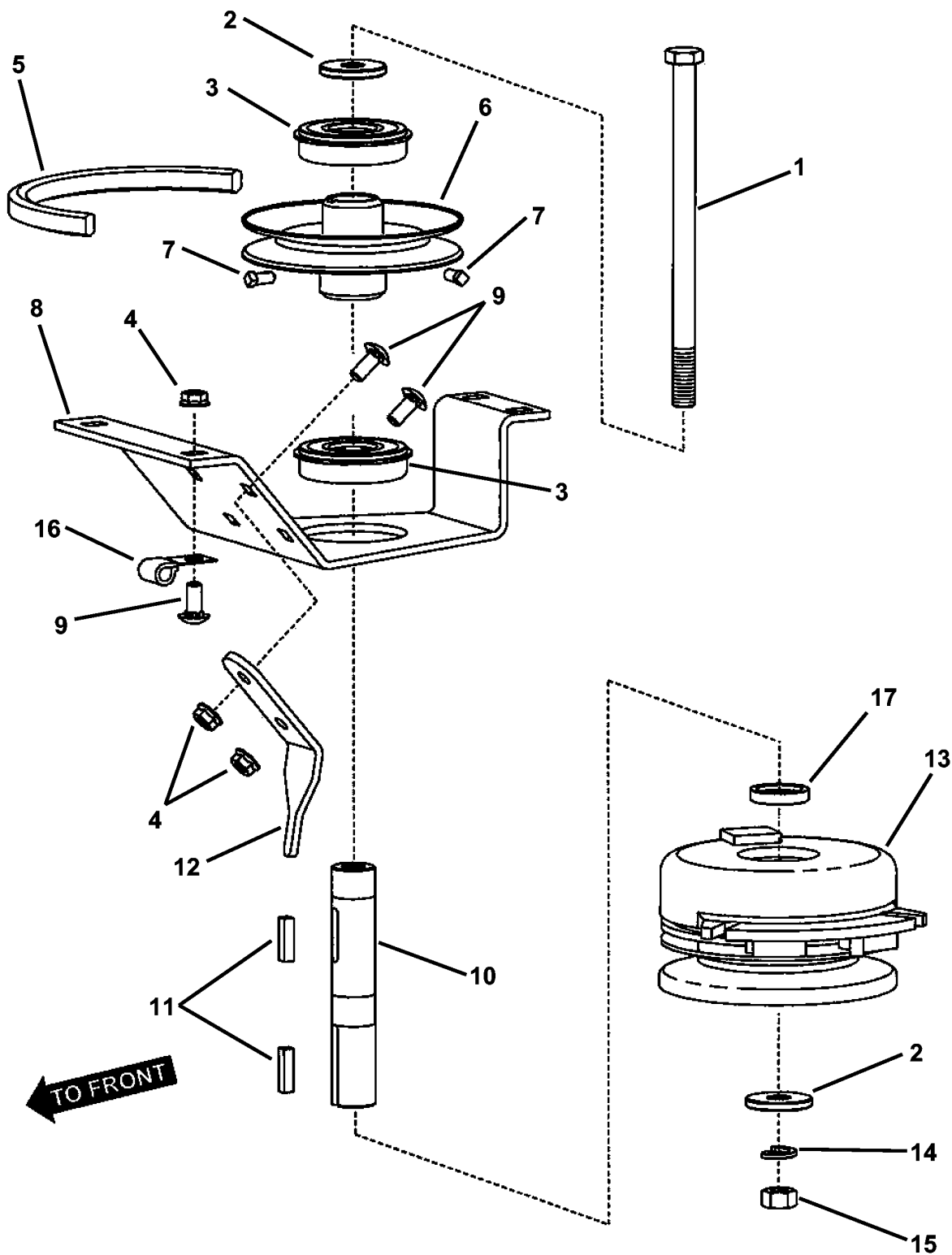


Fender & Transaxle Assembly

Item	Part No	Qty	Description	Note
38	7074511	2	SPRING, Brake Compression	
39	7091299	2	NUT, 3/8-16 Nyloc	
40	7039485		CABLE, Hydro Release Valve	
41	7044767	2	DECAL, Hydro Reservoir	

Footnotes:

Clutch Assembly

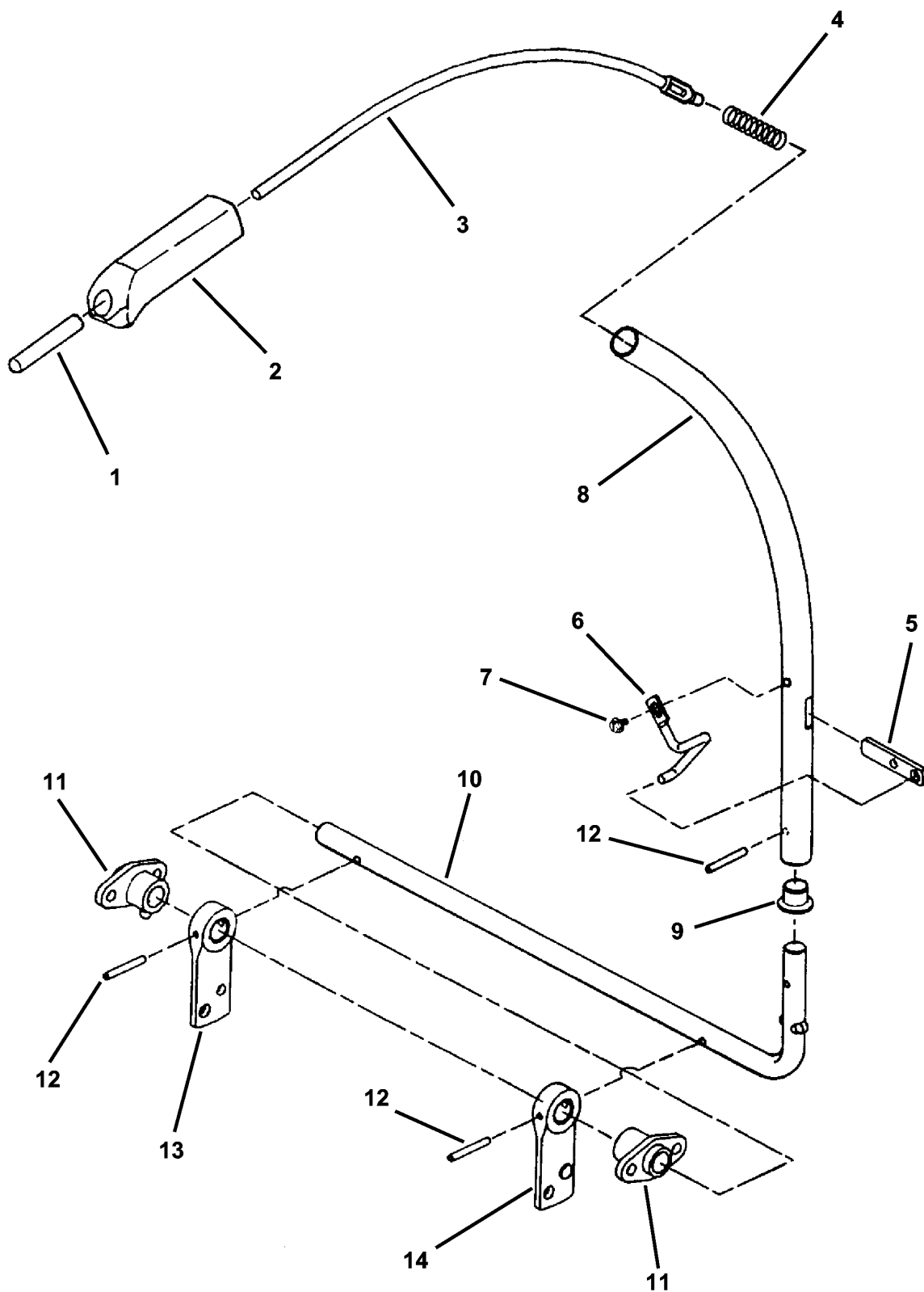


Clutch Assembly

Item	Part No	Qty	Description	Note
1	7091735		SCREW, 7/16-20 x 8" Hex Head Cap	
2	7029138	2	WASHER, 7/16 x 1" O.D. Flat	
3	7029136	2	BEARING, 6305 w/Snap-Ring	
4	7091601	6	NUT, 5/16-18, Grade 5	Was 91070
5	7029117		V-BELT, 5L Cog Primary Drive (42" Model) (50.170" Nominal Effective Length)	
	7046997		V-BELT, 5L Cog Primary Drive (48" Model) (49.44" Nominal Effective Length)	
6	7029107		PULLEY, Jackshaft (42" Model)	
	7046892		PULLEY, Jackshaft (48" Model)	
7	7091829	2	SETSCREW, 1/4-20 x 1/2" w/Patch	
8	7063269		SUPPORT, Jackshaft	
9	7091508	6	BOLT, 5/16-18 x 3/4 Carriage, Grade 5	
10	7029135		JACKSHAFT	
11	7013250	2	KEY, 1/4 x 1" Square	
12	7063248		BRACKET, Anti-Rotate Mag Stop (Warner)	
13	7063246		CLUTCH, Electric (Warner TG 2000) (12V)	
14	7091301		WASHER, 7/16" Split Lock	
15	7090460		NUT, 7/16-20, Grade B	
16	7012652		CLIP, Wire, 7/16"	
17	7063247		SPACER, Jackshaft (Warner Clutch) (.654" thick)	

Footnotes:

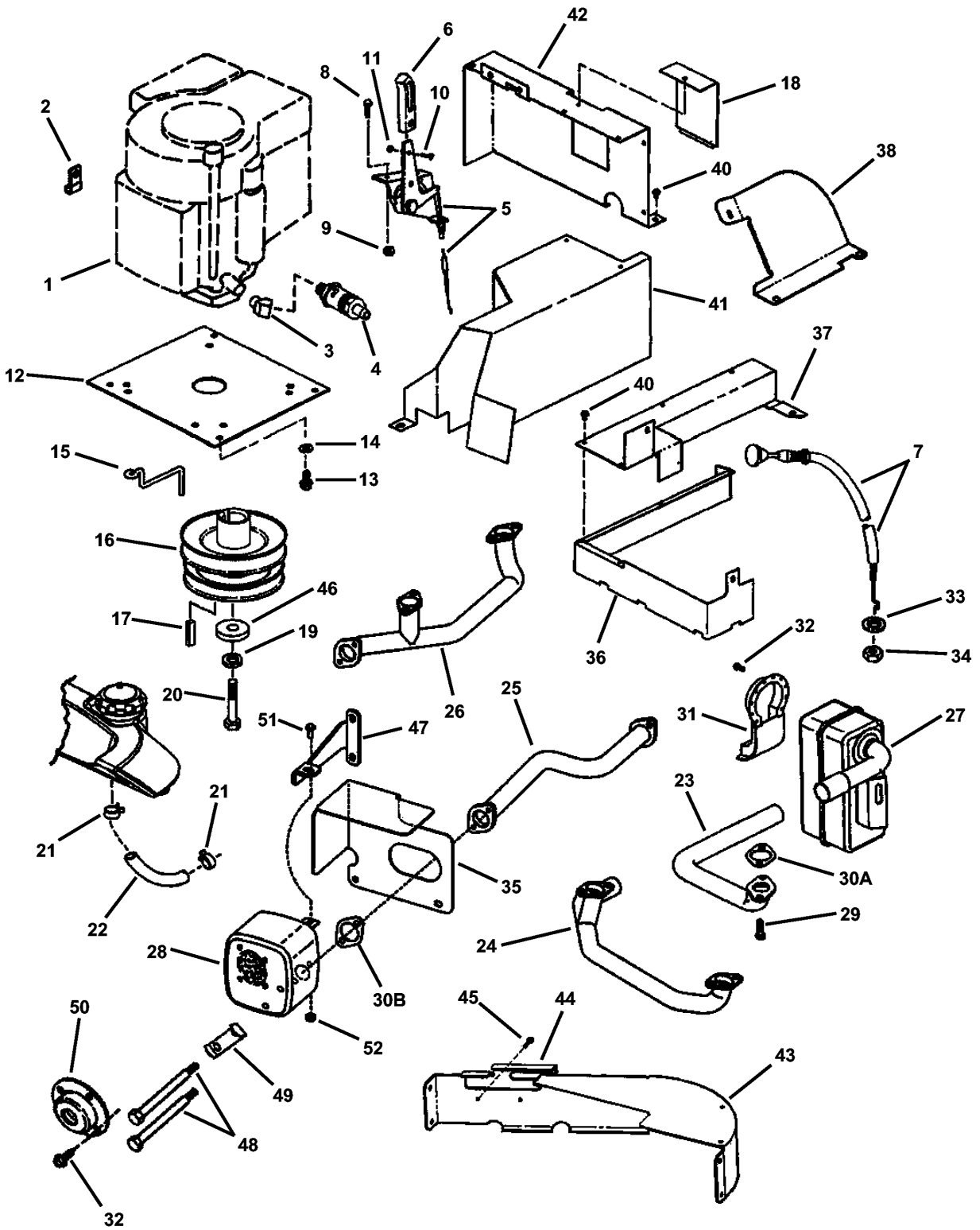
Brake/Clutch Lever Assembly



Brake/Clutch Lever Assembly

Item	Part No	Qty	Description	Note
1	7023801		GRIP, 5/16 x 2-1/2" Vinyl	<i>Was 29383</i>
2	7035945		GRIP, Brake/Clutch Handle	
3	7058542		ROD, Park Brake	
4	7035946		SPRING, Brake/Clutch Release	
5	7035485		ARM, Brake/Clutch Lever	
6	7035484		PIVOT, Brake/Clutch Lever	
7	7091084		SCREW, 1/4-20 x 3/8" Slotted Hex Washer Head, Self-Tapping	<i>Was 91293</i>
8	7058541		TUBE, Brake/Clutch Lever	
9	7010694		BUSHING, Nylon	
10	7029207		ROD, Brake/Clutch	
11	7052431	2	ASSEMBLY, Foot Shaft Pivot	<i>(Includes 1-3864, 3/16" Grease Fitting)</i>
12	7090841	3	ROLL-PIN, 3/16 x 1-1/2"	
13	7029208		ARM, Brake/Clutch	
14	7042614		ARM, Brake/Clutch	

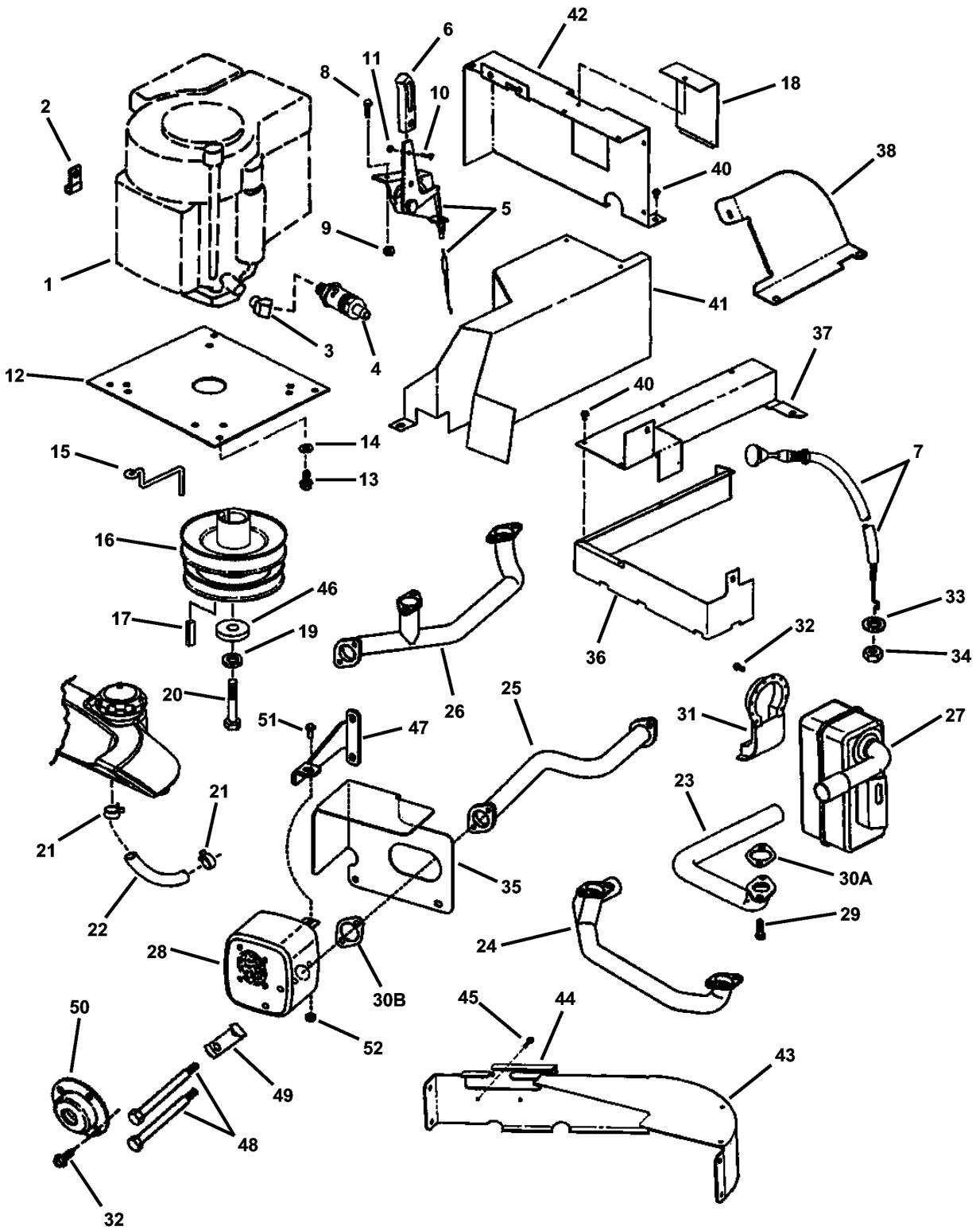
Footnotes:



Engine Components

Item	Part No	Qty	Description	Note
1	--		ENGINE, 15 HP Kohler	<i>CV15S, PS41570</i>
	--		ENGINE, 16 HP Briggs	<i>28CH77-0110-E1</i>
	--		ENGINE, 18 HP (B&S 350777-1142-E1)	
	--		ENGINE, 20 HP (B&S 40G777-0112-E1)	
2	7012652		WIRE CLIP, 7/16"	
3	7022486		FITTING, Oil Drain Short	<i>(Kohler 15HP, Briggs 16HP)</i>
4	7027972		ASSEMBLY, Oil Valve	
5	7036506		CONTROL, Throttle (52.5" conduit length)	<i>(Kohler 15HP)</i>
	7042992		CONTROL, Throttle (31.0" conduit length)	<i>(Briggs 18HP)</i>
	7024642		CONTROL, Throttle (44.6" conduit length)	<i>(Briggs 16HP)</i>
	7028564		CONTROL, Throttle (26.25" conduit length)	<i>(Briggs 20HP)</i>
6	7023655		LEVER, Throttle Control	
7	7024185		CONTROL CABLE, Choke	<i>(Kohler 15HP) (38")</i>
	7063252		CONTROL CABLE, Choke	<i>(Briggs 20HP) (30")</i>
8	7091240	2	SCREW, #10-32 x 5/8" Hex Washer Head, Grade 5	
9	7090376	2	NUT, #10-32 Nyloc	
10	7091017		SCREW, #8-32 x 3/8" Machine	
11	7091018		NUT, #8-32 Hex	
12	7036389		PLATE, Engine	
13	7090324	4	SCREW, 3/8-16 x 1" Hex Washer Head	<i>(Briggs)</i>
	7077692	4	SCREW, M8-1.25 x 25mm Hex Washer Self-Tapping	<i>(Kohler)</i>
14	7091315	4	WASHER, 5/16 Split Lock	<i>(Kohler)</i>
15	7035362		GUIDE, Belt	
16	7041822		PULLEY, Engine	
17	7010210		KEY, 1/4" Square x 2"	
18	7071689		COVER, Spark Plug Access	<i>(Briggs 14HP)</i>
19	7091301		WASHER, 7/16" Split Lock	
20	7091763		SCREW, 7/16-20 x 1-1/2" Hex Head Cap, Grade 5	
21	7029900	2	CLAMP, Fuel Hose	
22	7091856		HOSE, Fuel 1/4" I.D. x 20"	<i>(Briggs 18 HP)</i>
	7024055		HOSE, Fuel 1/4" I.D. x 6.5"	<i>(Kohler 15HP, Briggs 16HP)</i>
23	7036417		PIPE, Exhaust	<i>(Kohler 15HP)</i>
24	7036483		PIPE, Exhaust	<i>(Briggs 18HP)</i>
25	7042287		MANIFOLD, Briggs 16HP Intek	
26	7040000		MANIFOLD, Briggs 20HP Intec	
27	7046445		MUFFLER	
28	7024241		MUFFLER, Briggs 16HP & 20HP	

Footnotes:

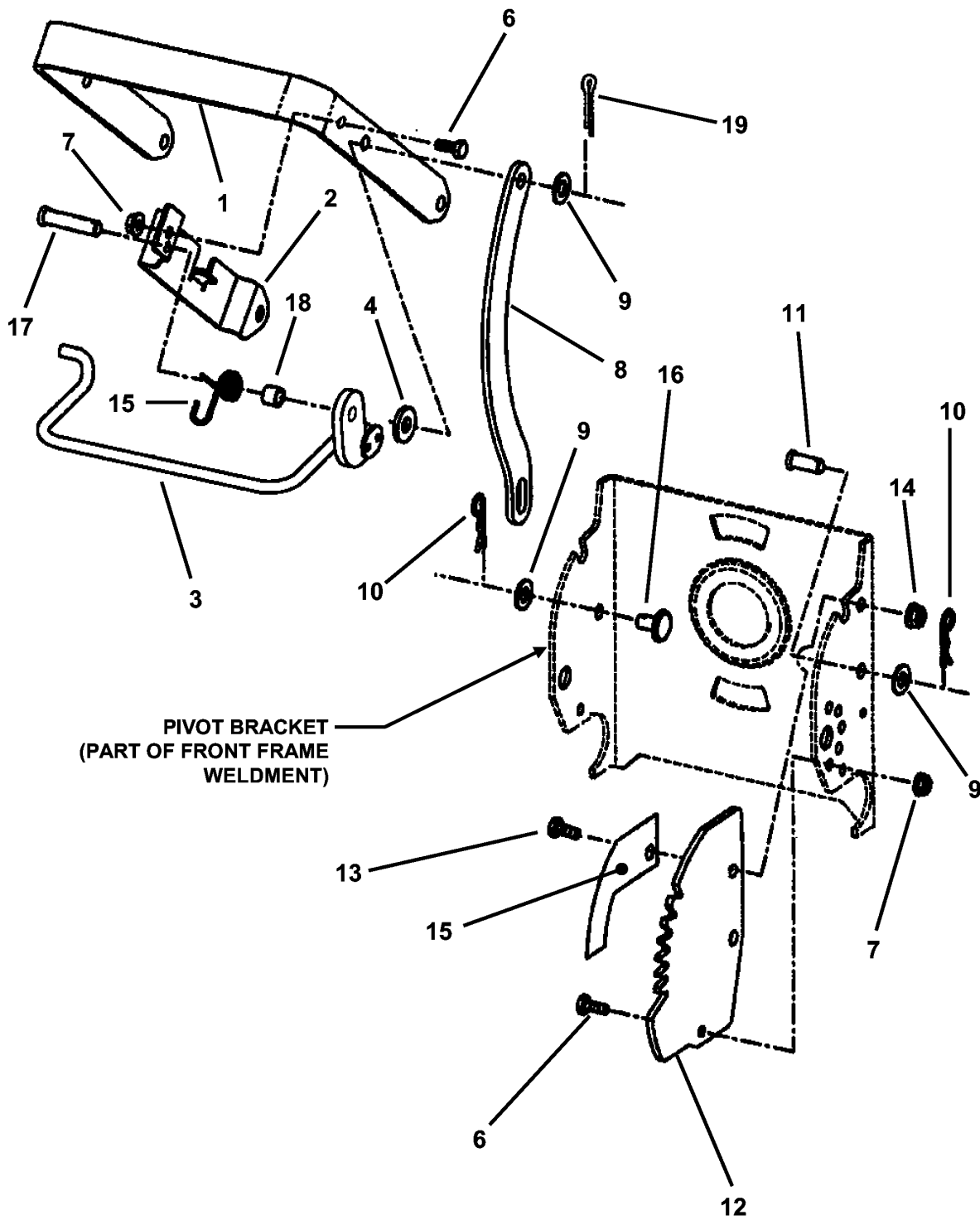


Engine Components

Item	Part No	Qty	Description	Note
29	7091318	2	SCREW, 5/16-18 x 3/4" Hex Head Cap, Grade 5	Was 90206 (Briggs 14HP)
30A	7015352		GASKET, Exhaust	(Briggs 14HP)
30B	7014509		GASKET, Exhaust	(Briggs 16HP) (Flexible Graphite)
30C	7063283		GASKET, Exhaust,	Not Shown (Briggs 20HP Intec)
31	7041537		DEFLECTOR, Muffler (42" Deck only)	
32	7091581	4	SCREW, #8-18 x 1/2"	
33	7090390		WASHER, 3/8" Internal Tooth Lock	(Kohler)
34	7091630		NUT, 3/8-24 Hex	Was 90155
35	7075179		HEAT SHIELD, Muffler	
36	7042993		HEAT SHIELD, Sides	(Kohler 15HP)
37	7044658		HEAT SHIELD, Top	(Kohler 15HP)
38	7071951		HEAT SHIELD, Starter	
39	7071950		HEAT SHIELD, Battery	(not shown)
40	7090816		SCREW, #10-32 x 3/8" Sheet Metal	(Qty. 4 Kohler, 8 Briggs)
41	7042825		DUCT, Right Hand	(Briggs 14HP)
42	7071687		DUCT, Front	(Briggs 14HP)
43	7058221		DUCT, Air	(Briggs 18HP)
44	7072176		SHIELD, Engine Speed Control Heat	
45	7091012	2	SCREW, #10-32 x 3/8" Self Tapping	
46	7091807		SPACER, Clutch	
47	7075178		STRAP, Muffler, Briggs 16HP Intec	
48	7024161	2	BOLT, 5/16-18 x 4" Shoulder	
49	7024566		SCREW LOCK	
50	7026778		DEFLECTOR, Direct Out	
51	7090072		SCREW, 1/4-20 x 5/8" Hex Head Cap, Grade 5	Was 27172
52	7091584		NUT, 1/4-20 Hex Flange Lock, Grade 5	

Footnotes:

Deck Lift Handle Assembly (Except 48" Model)

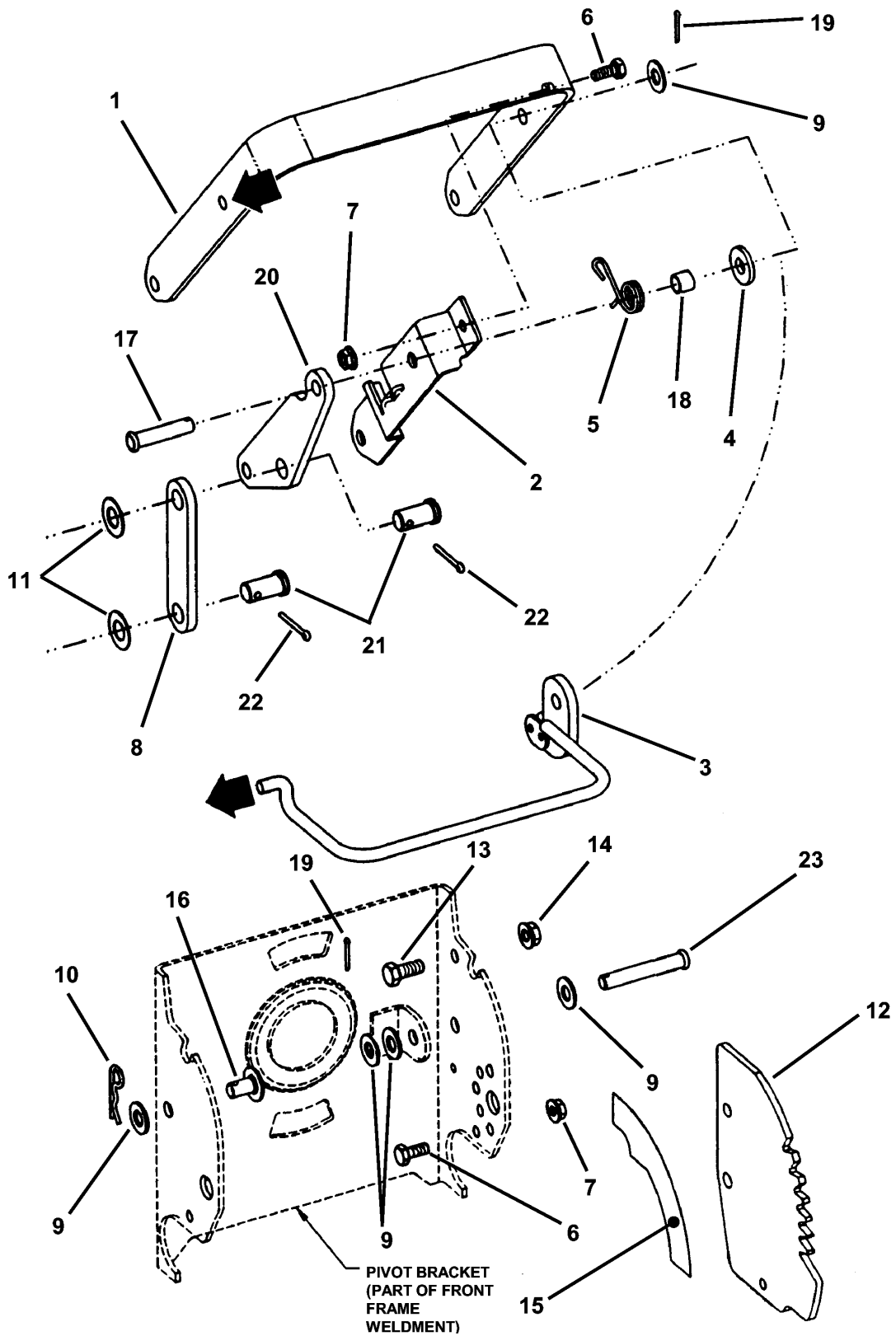


Deck Lift Handle Assembly (Except 48" Model)

Item	Part No	Qty	Description	Note
1	7041924		HANDLE, Deck Lift	
2	7041925		BRACKET, Pivot Support	
3	7058090		LEVER, Deck Lift/Handle Release	
4	7029040		WASHER, Slipper	
5	7046489		SPRING, Torsion (Deck Position)	
6	7090072	2	SCREW, 1/4-20 x 5/8" Hex head Cap, Grade 5	
7	7091584	3	NUT, 1/4-20 Hex Flange Lock	Was 90583
8	7035489		BAR, Deck Lift	
9	7090122	3	WASHER, 3/8" Flat	
10	7091503	2	HAIRPIN, 3/32 x 1-1/2"	
11	7046392		PIN, 3/8 x 7/8" Large Head Clevis	
	7013996		PIN, 3/8 x 2" Clevis	
12	7058077		PLATE, Detent	
13	7091318		SCREW, 5/16-18 x 3/4" Hex Cap, Grade 5	
14	7091601		NUT, 5/16-18 Hex Flange Lock, Grade 5	Was 91070
15	7046457		DECAL, Deck Position	
16	7091887		PIN, 3/8 x 1/2" Expanded Head Clevis	
17	7046491		PIN, 3/8 x 1-5/8" Clevis	
18	7046490		SPACER	
19	7091597		PIN, 3/32" x 3/4" Cotter	

Footnotes:

48" Deck Lift Handle Assembly

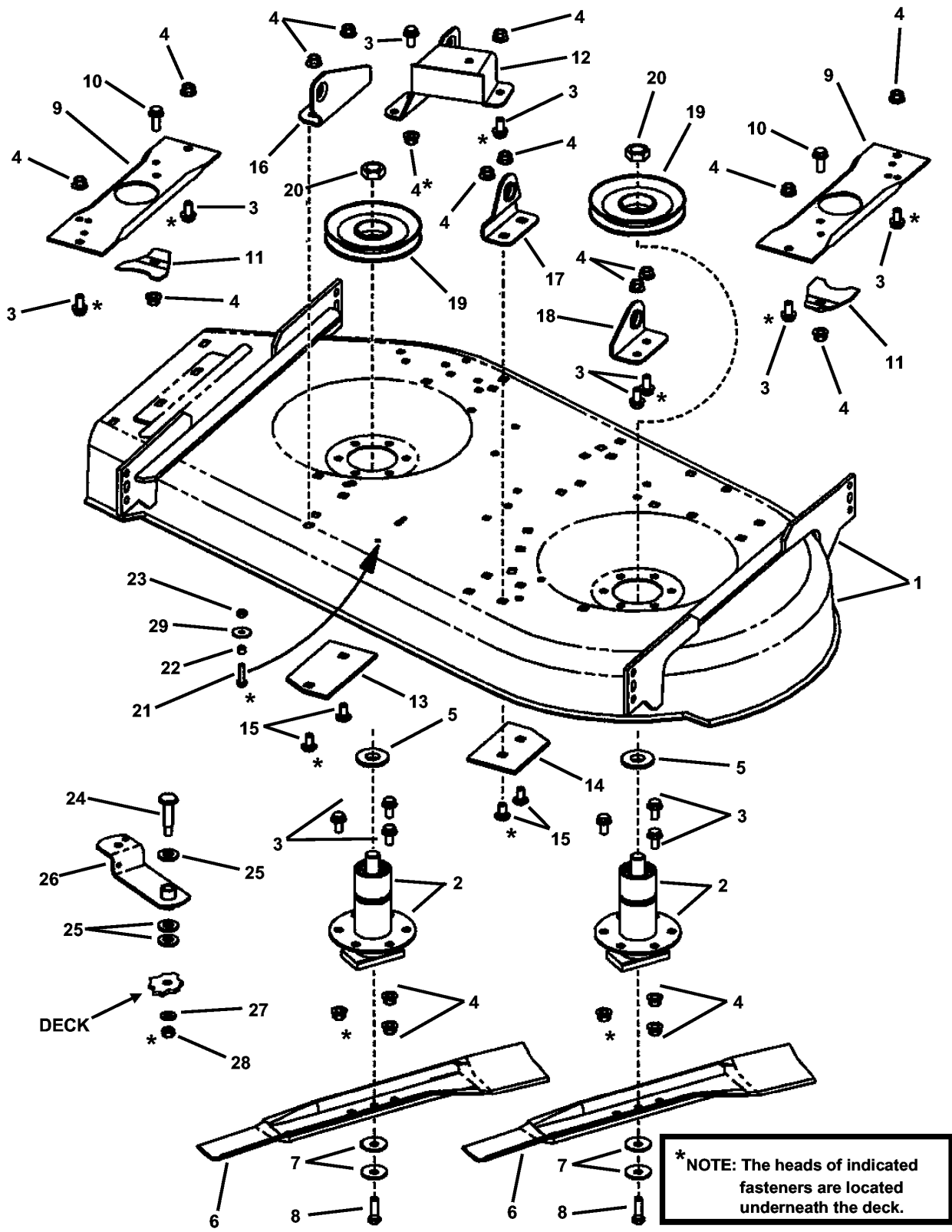


48" Deck Lift Handle Assembly

Item	Part No	Qty	Description	Note
1	7041924		HANDLE, Deck Lift	
2	7041925		BRACKET, Pivot Support	
3	7058090		WELDMENT, Deck Lift Handle	
4	7029040		WASHER, Slipper	
5	7046489		SPRING, Torsion (Deck Position)	
6	7090072	2	SCREW, 1/4-20 x 5/8" Hex Head Cap, Grade 5	
7	7091584	2	NUT, 1/4-20 Hex Flange Lock	Was 90583
8	7047066		LINK, Connector	
9	7090122	5	WASHER, 3/8" Flat	
10	7091503	2	HAIRPIN, 3/32 x 1-1/2"	
11	7090667	2	WASHER, 1/2" Flat	
12	7058077		DETENT, Lift Handle	
13	7091318		SCREW, 5/16-18 x 3/4" Hex Cap, Grade 5	
14	7091601		NUT, 5/16-18 Hex Flange Lock, Grade 5	Was 91070
15	7046457		DECAL, Deck Position	
16	7091887		PIN, 3/8 x 1/2" Expanded Head Clevis	
17	7046491	1	PIN, 3/8 x 1-5/8" Clevis	
18	7046490		SPACER	
19	7091597	2	PIN, 3/32" x 3/4" Cotter	
20	7047067		PLATE, Connector Arm	
21	7091948	2	PIN, 1/2 x .725 Clevis	
22	7091598	2	PIN, 1/8 x 1" Clevis	Was 90041
23	7013996		PIN, Clevis, 3/8 x 2"	

Footnotes:

42" Mower Deck Assembly (Part 1)



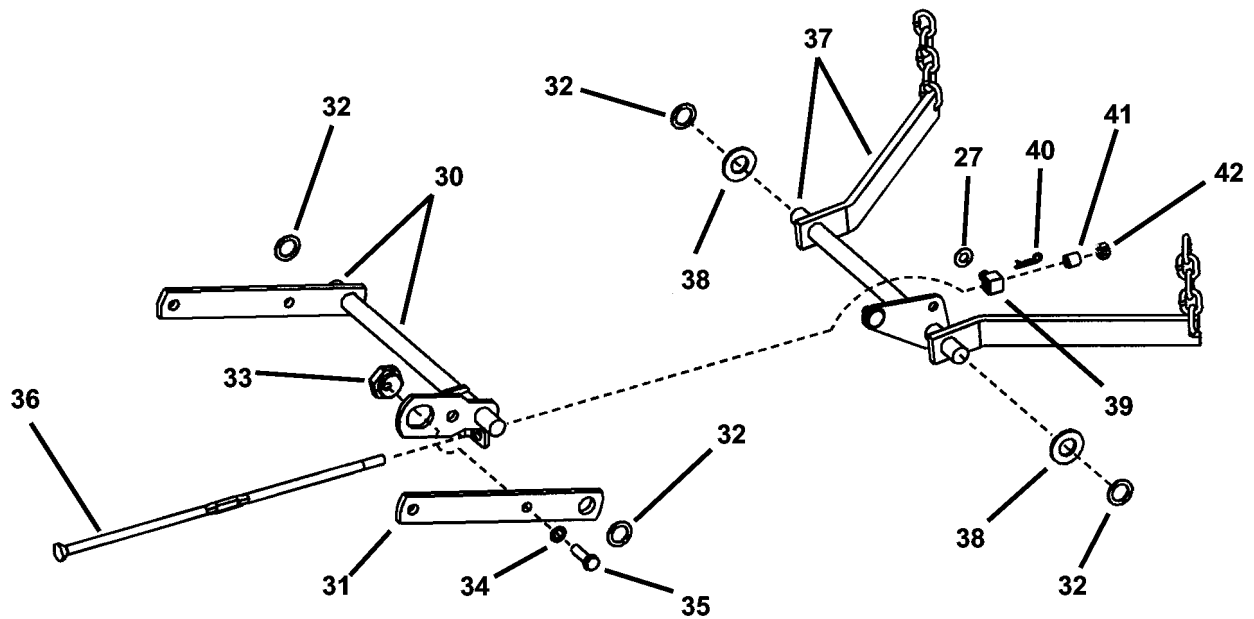
***NOTE:** The heads of indicated fasteners are located underneath the deck.

42" Mower Deck Assembly (Part 1)

Item	Part No	Qty	Description	Note
1	7061958		DECK, 42" Replacement	<i>6-1958 is a painted deck with decals 24910, 26831 & 46720.</i>
2	7051914	2	ASSEMBLY, Spindle Brake	<i>Was 59723</i>
3	7091588	14	BOLT, 3/8-16 x 3/4" Hex Flange Lock, Grade 5	<i>Was 90612</i>
4	7091619	18	NUT, 3/8-16 Hex Fl. Lock	<i>Was 90613</i>
5	7014407	2	WASHER, Spindle	
6	7026691	2	BLADE, 21" Standard Lift	
7	7012063	5	WASHER, Cone	
8	7090824	2	SCREW, 3/8-24 x 1-1/4" Hex Head Cap, Grade 5	
9	7033366	2	BRACE, Spindle	
10	7027198	2	BOLT, 3/8-16 x 1" Hex Flange Lock, Grade 5	
11	7051747	2	ASSEMBLY, Spindle Lock	
12	7044651		IDLER, Stationary	
13	7042811		REINFORCEMENT, R.H.	
14	7042812		REINFORCEMENT, L.H.	
15	7091547	4	BOLT, 3/8-16 x 3/4" Short Neck Carriage, Grade 5	<i>Was 90850</i>
16	7035982		BRACKET, R.H. Front Lift	
17	7035983		BRACKET, L.H. Front Lift	
18	7035985		BRACKET, L.H. Rear Lift	
19	7036437	2	PULLEY, 5-1/4"	
20	7074467	2	NUT, 3/4-16 Hex Flange Jam, Grade 8	
21	7090872		BOLT, 1/4-20 x 1-1/8, Grade 5	
22	7010916		SPACER, .26 x .3	
23	7090372		NUT, 1/4-20 Hex Center Lock	
24	7091526		SHOULDER BOLT, 3/8-24 x 5/8"	
25	7091587	3	WASHER, 1/2" I.D. x 1-1/16" O.D. Flat	
26	7042650		IDLER ARM	
27	7090122	2	WASHER, 3/8" Flat	
28	7090289		NUT, 3/8-24 Hex Center Lock	
29	7014241		WASHER, 1/4" Flat	

Footnotes:

42" Mower Deck Assembly (Part 2)

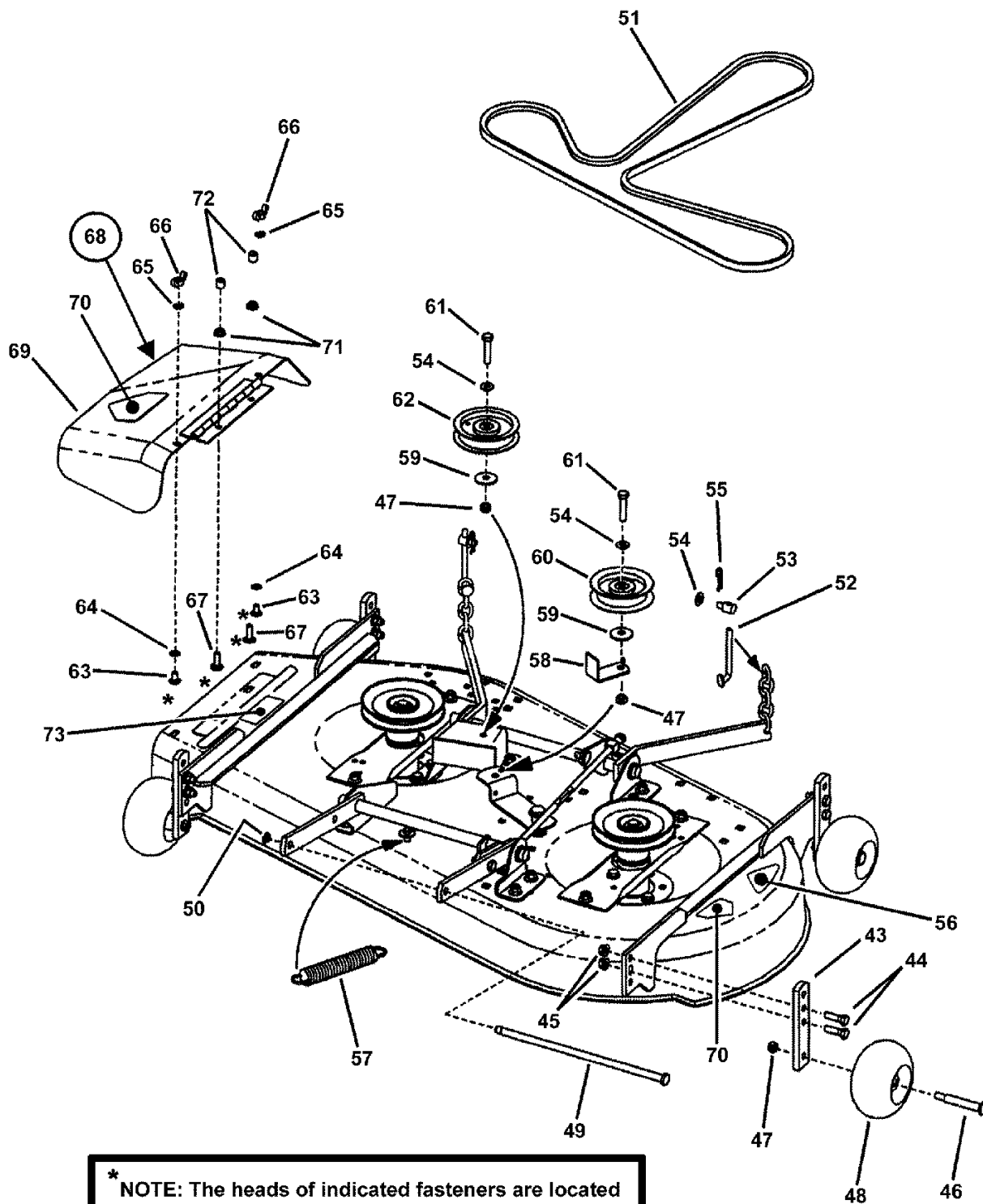


42" Mower Deck Assembly (Part 2)

Item	Part No	Qty	Description	Note
27	7090122	2	WASHER, 3/8" Flat	
30	7042586		LIFT ARM, Front (weldment)	
31	7034815		LIFT ARM, Front	
32	7010935	4	WASHER, 3/4" x 1-1/8"	
33	7015447		ECCENTRIC, Leveling	
34	7090390		WASHER, 3/8" Int. Tooth Lock	
35	7090163		SCREW, 3/8-24 x 1-1/4" Hex Head Cap	
36	7035495		ROD, Cutter Deck Timing	
37	7042585		LIFT ARM, Rear (weldment)	
38	7032028	2	WASHER, 3/4 I.D. x 1-1/2" O.D. Flat	
39	7024586		SWIVEL, Brake Link	
40	7091310		HAIR PIN, #13	Was 16231
41	7021815		SPACER, MF1200	
42	7091585		NUT, 3/8-16 Hex Center Lock	Was 90546

Footnotes:

42" Mower Deck Assembly (Part 3)



42" Mower Deck Assembly (Part 3)

Item	Part No	Qty	Description	Note
43	7035835	4	POST, Anti-Scalp	
44	7091328	8	SCREW, 3/8-16 x 1-1/4 Hex Head Cap, GR5	
45	7091619	8	NUT, 3/8-16 Hex Flange Lock	<i>Was 90613</i>
46	7029265	4	BOLT, 3/8-16 x 2-5/8" Shoulder	<i>for gage wheel</i>
47	7091585	6	NUT, 3/8-16 Hex Center Lock, GR5 or B	
48	7029264	4	WHEEL, Gage	
49	7022717	1	ROD, Deck Support	
50	7017847	1	RING, .438 External Retaining	
51	7075235	1	BELT, HA Section, (94.5" nom. effective length)	
52	7028728	2	ADJUSTER, Chain (5/16-18 thread)	
53	7028200	2	SWIVEL, Adjustment	
54	7090122	5	WASHER, 3/8" SAE Flat	<i>replaces 91514, 91296</i>
55	7091503	3	HAIR PIN, 3/32 x 1-1/2"	
56	7024910	1	DECAL, 42 Inch	<i>see decal page</i>
57	7035969	1	SPRING, Extension 1.03 Dia. X 6.8" long	
58	7036561	1	BELT GUIDE, 38/42 Idler	
59	7012063	2	WASHER, Cone	
60	7075707	1	IDLER, Flat (4.00 O.D.)	
61	7091553	2	SCREW, 3/8-16 x 1-3/4" Hex Head Cap, GR5	
62	7018574	1	IDLER, 4.12" Outside Diameter, Flat	
63	7090799	2	BOLT, 5/16-18 x 5/8" Short Neck Carriage, GR5	
64	7011791	2	RETAINER, 5/16" Bolt	
65	7091315	2	WASHER, .32 x .58 x .08 Split Lock	
66	7091537	2	WING LOCKNUT, 5/16-18	
67	7091303	2	BOLT, 5/16-18 x 1" Short Neck Carriage, GR5	
68	7051401	1	ASSEMBLY, Chute & Decal	<i>includes items 69 & 70</i>
69	7051401	1	WELDMENT, Side Chute	<i>Was 40497</i>
70	7013010	1	DECAL, Danger, Cut Finger (CPSC)	
71	7091601	2	NUT, 5/16-18 Hex Flange Lock, GR5	
72	7023606	2	CAP, Vinyl	
73	7046720	1	DECAL, Chute/Deflector	

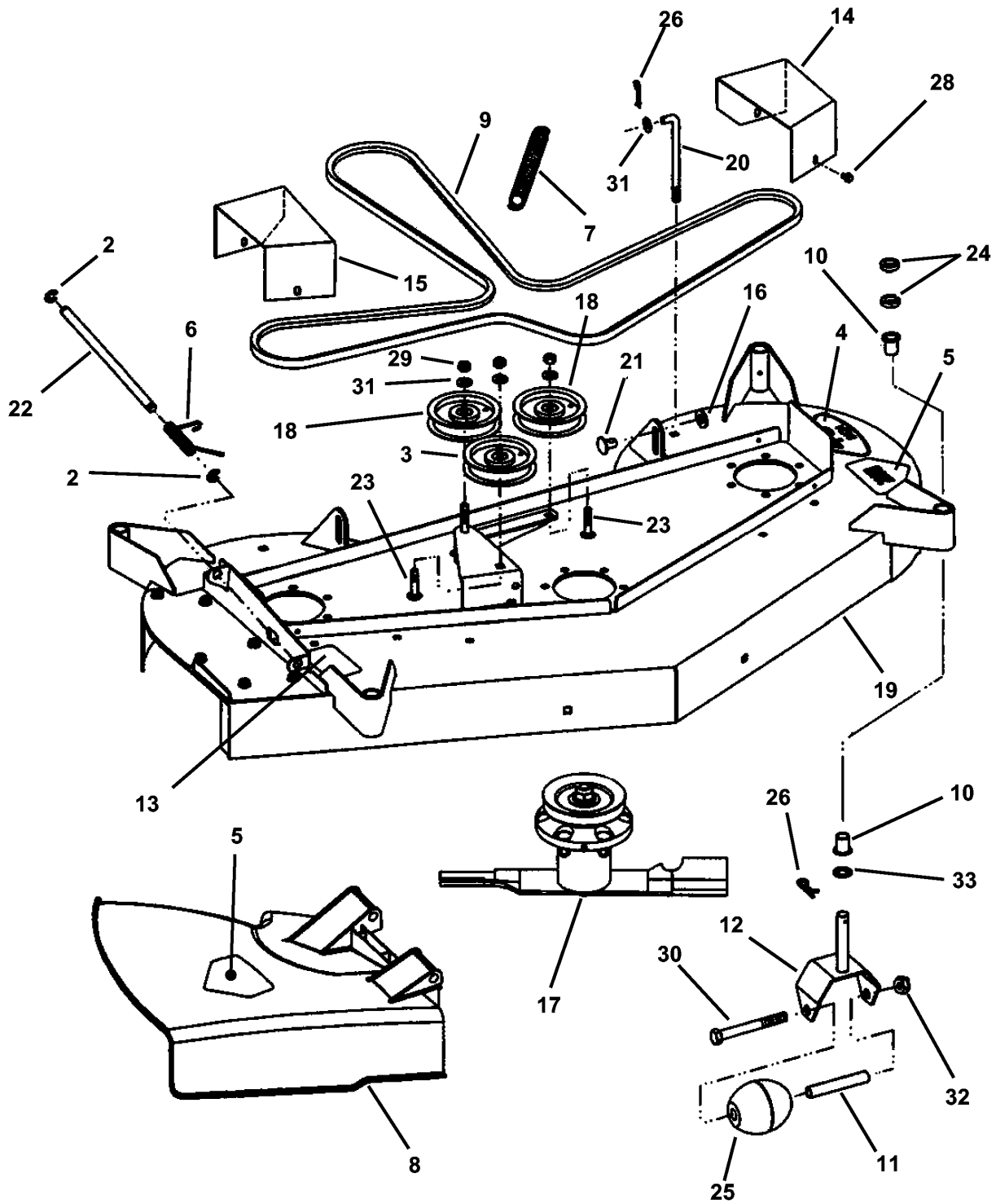
Footnotes:

48" Mower Deck Assembly (Series 3) (Part 1)

Item	Part No	Qty	Description	Note
1	7013847		RETAINER, 3/8" Bolt	
2	7046609		STIFFENER, Deck	
3	7063297		WELDMENT, 48" Deck	Was 46611
4	7047047		HANGER, R.H. Rear	
5	7047048		HANGER, L.H. Rear	
6	7047049		BRACKET, Pulley Mounting	
7	7074230		BRACKET, L.H. Front Lift	
8	7074231		BRACKET, R.H. Front Lift	
9	7059240		WELDMENT, Front Lift Arm	
10	7091619	4	NUT, 3/8-16 Hex Flange Lock	
11	7058076		ASSEMBLY, Idler Arm/Lube Fitting	(includes 4-6706, Idler Arm Weldment and one item 12)
12	7013864	5	LUBE FITTING, Straight (press-fit for .187 dia. Hole)	
13	7058119		BRACKET, Hinge (48" Deck)	
14	7071698		SPACER, Pivot Collar	
15	7091888		BOLT, 3/8-16 x 4" Square Neck Carriage, Grade 5	
16	7090799	12	BOLT, 5/16-18 x 5/8" Short Neck Carriage, Grade 5	
17	7091923	4	BOLT, 3/8-16 x 1" Short Neck Carriage, Grade 5	
18	7091601	16	NUT, 5/16-18 Hex Flange Lock, Grade 5	
19	7090122	2	WASHER, 3/8" Flat	
20	7091593	2	PIN, 3/64 x 1-7/32" Locking Cotter	

Footnotes:

48" Mower Deck Assembly (Series 3) (Part 2)

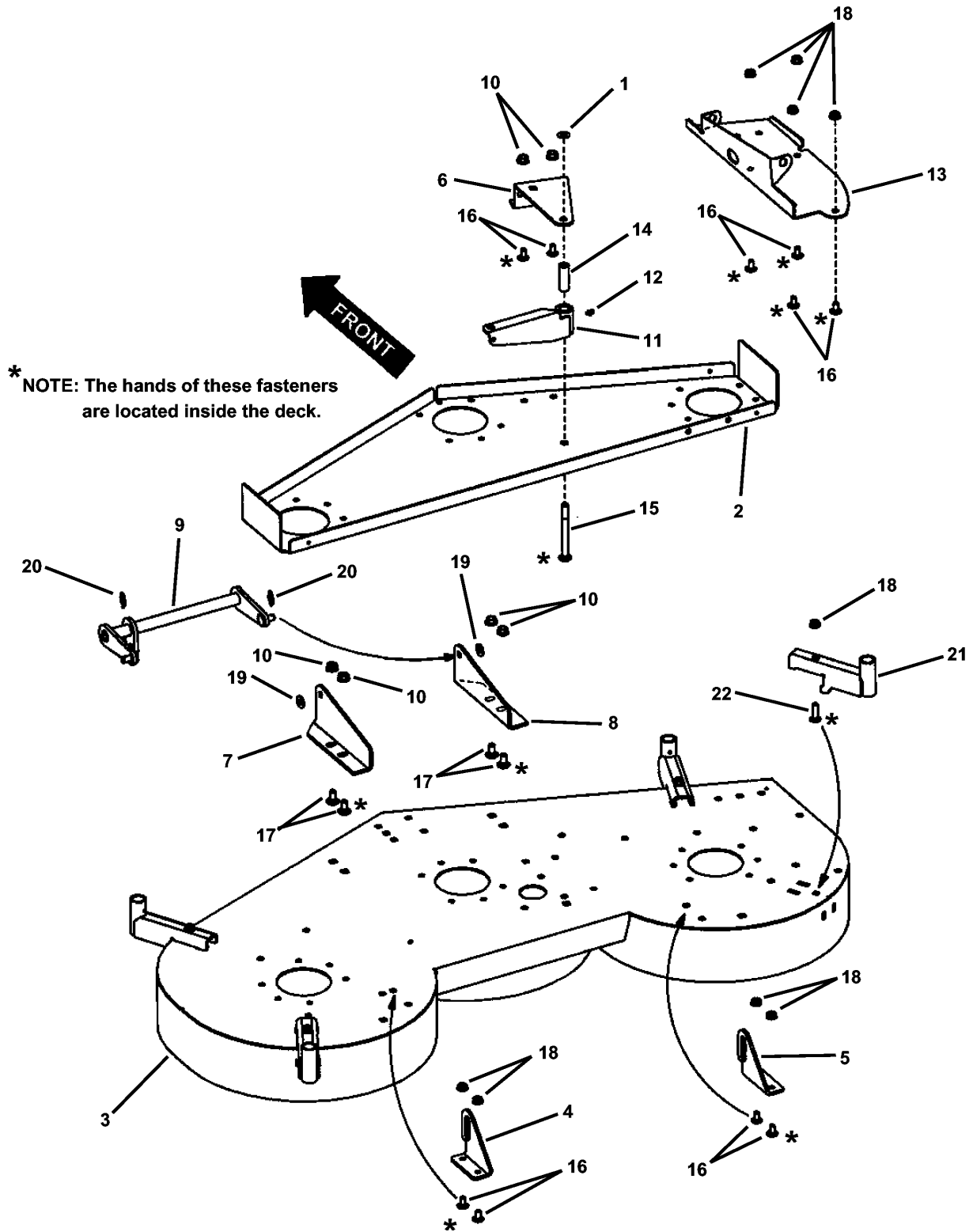


48" Mower Deck Assembly (Series 3) (Part 2)

Item	Part No	Qty	Description	Note
2	7014341	2	RING, External Retaining	
3	7018574		IDLER, 4.12" Flat	
4	7024431		DECAL, 48" Deck	
5	7013010	2	DECAL, CPSC	Was 26831
6	7035813		SPRING, Chute	
7	7058508		SPRING, Idler Primary	
8	7029425		CHUTE, Side Discharge	
9	7058509		V-BELT, HA Section,	(120.722" Nominal Effective Length)
10	7043858	8	BEARING, 1/2 x 3/4" Plastic	Was 46278
11	7046301	4	SLEEVE, Caster Wheel	
12	7046302	4	WELDMENT, Bracket/Shaft Caster	
13	7046720		DECAL, Chute/Deflector	
14	7047093		COVER, Belt L.H.	
15	7047094		COVER, Belt R.H.	
16	7090667	2	WASHER, 1/2" Flat	
17	7057674	3	ASSEMBLY, 48" Spindle	(See "48" Spindle Assembly (Series 3)")
18	7072319	2	IDLER, 3-1/4" Flat	
19			ASSEMBLY, 48" Painted Mower Deck	(See "48" Mower Deck Assembly (Series 3)" & "42" Mower Deck Assembly")
20	7058086	2	LINK, Leveling	
21	7058087	2	SUPPORT, Swivel	
22	7072044		HINGE PIN, Chute	
23	7091810	2	BOLT, 3/8-16 x 1-3/4" Short Neck Carriage, Grade 5	Was 91158
24	7076436	8	SPACER, Blade	
25	7073142	4	ROLLER, Low Density Polyethylene	Was 79226
26	7091503	6	HAIR PIN, 3/32 x 1-1/2"	
28	7091084	4	SCREW, 1/4-20 x 3/8" Hex Washer Self-Tap	Was 90302
29	7091585	3	NUT, 3/8-16 Hex Center Lock, Grade 5 or B	Was 90546
30	7090993	4	SCREW, 1/2-20 x 4-1/2" Hex Head Cap, Grade 5	
31	7090122	5	WASHER, 3/8" Flat	Was 91514
32	7090266	4	NUT, 1/2-20 Hex Center Lock,	
33	7091628	4	WASHER, .64 I.D. Flat	

Footnotes:

48" Mower Deck Assembly (Series 4) (Part 1)

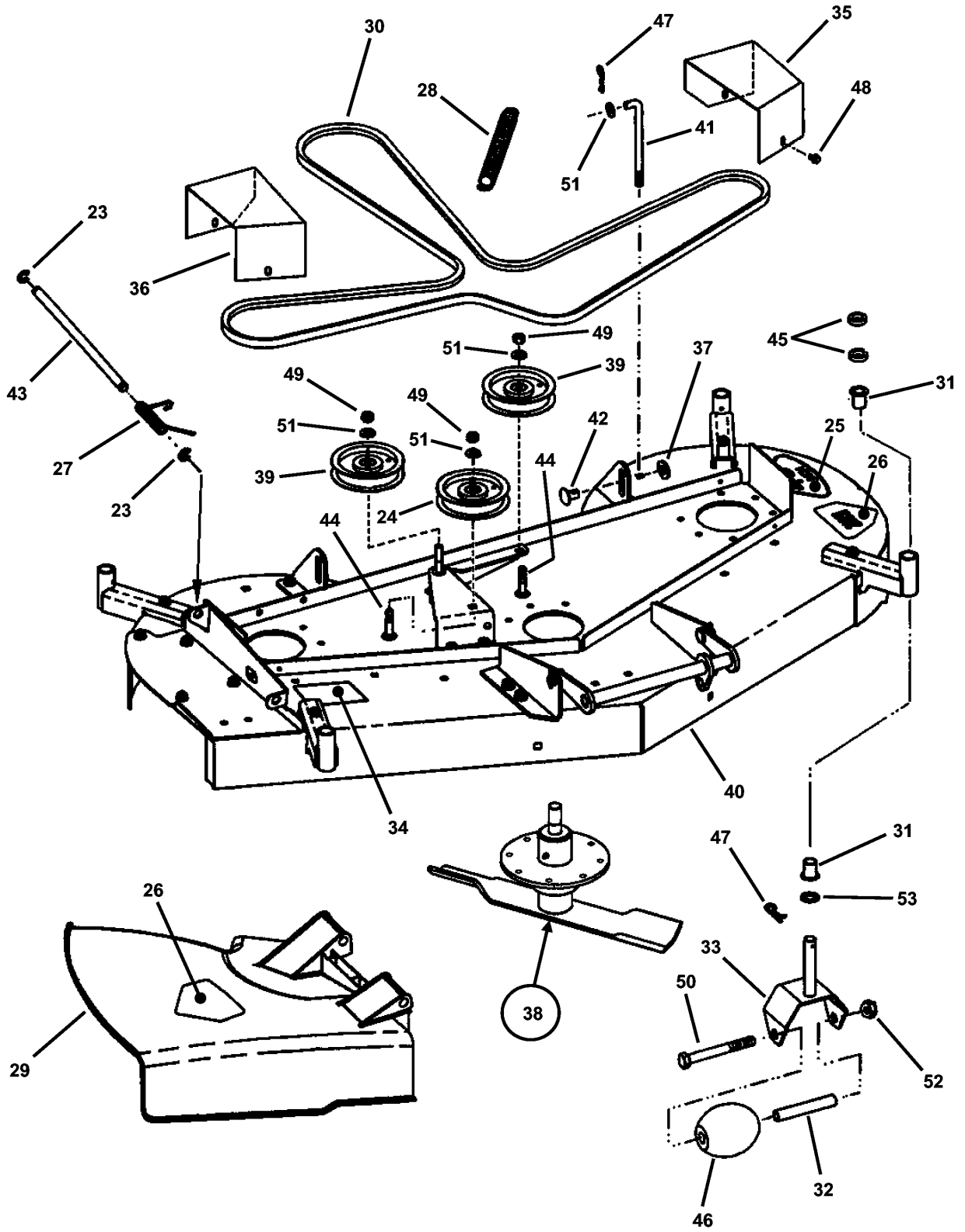


48" Mower Deck Assembly (Series 4) (Part 1)

Item	Part No	Qty	Description	Note
1	7013847		RETAINER, 3/8" Bolt	
2	7074705		STIFFENER, Deck	
3	7044799		WELDMENT, 48" Deck	(shown with 3 item 21s attached)
4	7047047		HANGER, R.H. Rear	
5	7047048		HANGER, L.H. Rear	
6	7047049		BRACKET, Pulley Mounting	
7	7074230		BRACKET, L.H. Front Lift	
8	7074231		BRACKET, R.H. Front Lift	
9	7059240		WELDMENT, Front Lift Arm	
10	7091619	6	NUT, 3/8-16 Hex Flange Lock	
11	7058076		ASSEMBLY, Idler Arm/Lube Fitting	(includes 4-6706, Idler Arm Weldment and one item 12)
12	7013864	5	LUBE FITTING, Straight (press-fit for .187 dia. Hole)	
13	7074951		BRACKET, Hinge (48" Deck)	
14	7071698		SPACER, Pivot Collar	
15	7091888		BOLT, 3/8-16 x 4" Square Neck Carriage, Grade 5	
16	7090799	12	BOLT, 5/16-18 x 5/8" Short Neck Carriage, Grade 5	
17	7091923	4	BOLT, 3/8-16 x 1" Short Neck Carriage, Grade 5	
18	7091601	16	NUT, 5/16-18 Hex Flange Lock, Grade 5	
19	7090122	2	WASHER, 3/8" Flat	
20	7091593	2	PIN, 3/64 x 1-7/32" Locking Cotter	
21	7044801	4	WELDMENT, Caster	
22	7091169	4	BOLT, 5/16-18 x 1-1/8" Short Neck Carriage, Grade 5	

Footnotes:

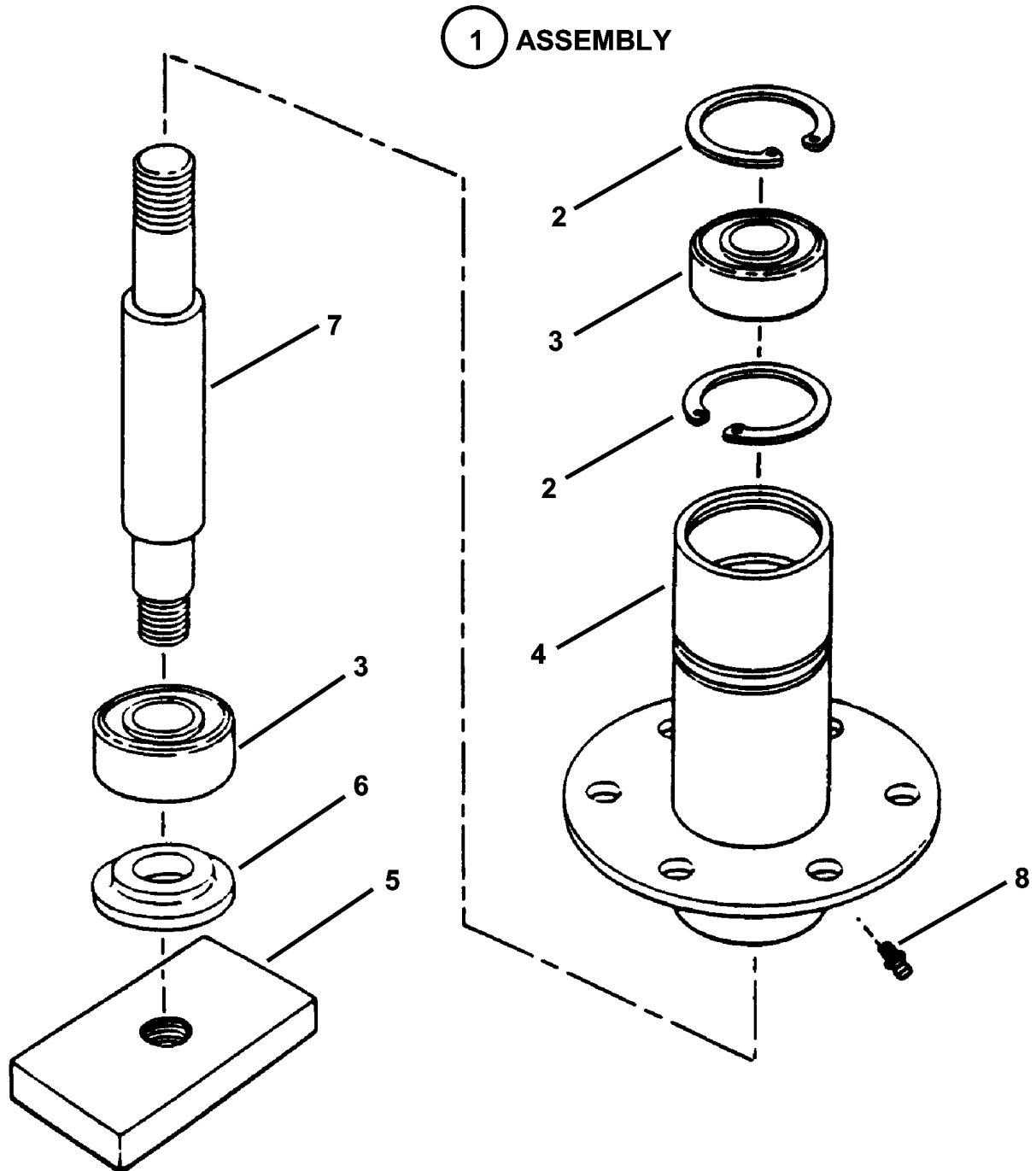
48" Mower Deck Assembly (Series 4) (Part 2)



48" Mower Deck Assembly (Series 4) (Part 2)

Item	Part No	Qty	Description	Note
23	7014341	2	RING, External Retaining	
24	7018574		IDLER, 4.12" Flat	
25	7024431		DECAL, 48" Deck	
26	7013010	2	DECAL, CPSC	Was 26831
27	7035813		SPRING, Chute	
28	7058508		SPRING, Idler Primary	
29	7029425		CHUTE, Side Discharge	
30	7075092		V-BELT, HA Section,	(120.722" Nominal Effective Length)
31	7043858	8	BUSHING, Flange 1/2 x 3/4" O. D. Plastic	
32	7046301	4	SLEEVE, Caster Wheel	
33	7046302	4	WELDMENT, Bracket/Shaft Caster	
34	7046720		DECAL, Chute/Deflector	
35	7047093		COVER, Belt L.H.	
36	7047094		COVER, Belt R.H.	
37	7090667	2	WASHER, 1/2" Flat	
38	7054376	3	ASSEMBLY, 48" Spindle	(See "48" Spindle Assembly)
39	7072319	2	IDLER, 3-1/4" Flat	
40			ASSEMBLY, 48" Painted Mower Deck	(See "48" Mower Deck Assembly (Series 4)")
41	7058086	2	LINK, Leveling	
42	7058087	2	SUPPORT, Swivel	
43	7072044		HINGE PIN, Chute	
44	7091810	2	BOLT, 3/8-16 x 1-3/4" Short Neck Carriage, Grade 5	Was 91158
45	7076436	8	SPACER, Blade	
46	7073142	4	ROLLER, Low Density Polyethylene	Was 79226
47	7091503	6	HAIR PIN, 3/32 x 1-1/2"	
48	7091084	4	SCREW, 1/4-20 x 3/8" Hex Washer Self-Tap	Was 90302
49	7091585	3	NUT, 3/8-16 Hex Center Lock, Grade 5 or B	Was 90546
50	7090993	4	SCREW, 1/2-20 x 4-1/2" Hex Head Cap, Grade 5	
51	7090122	5	WASHER, 3/8" Flat	Was 91514
52	7090266	4	NUT, 1/2-20 Hex Center Lock,	
53	7091628	4	WASHER, .64 I.D. Flat	

Footnotes:

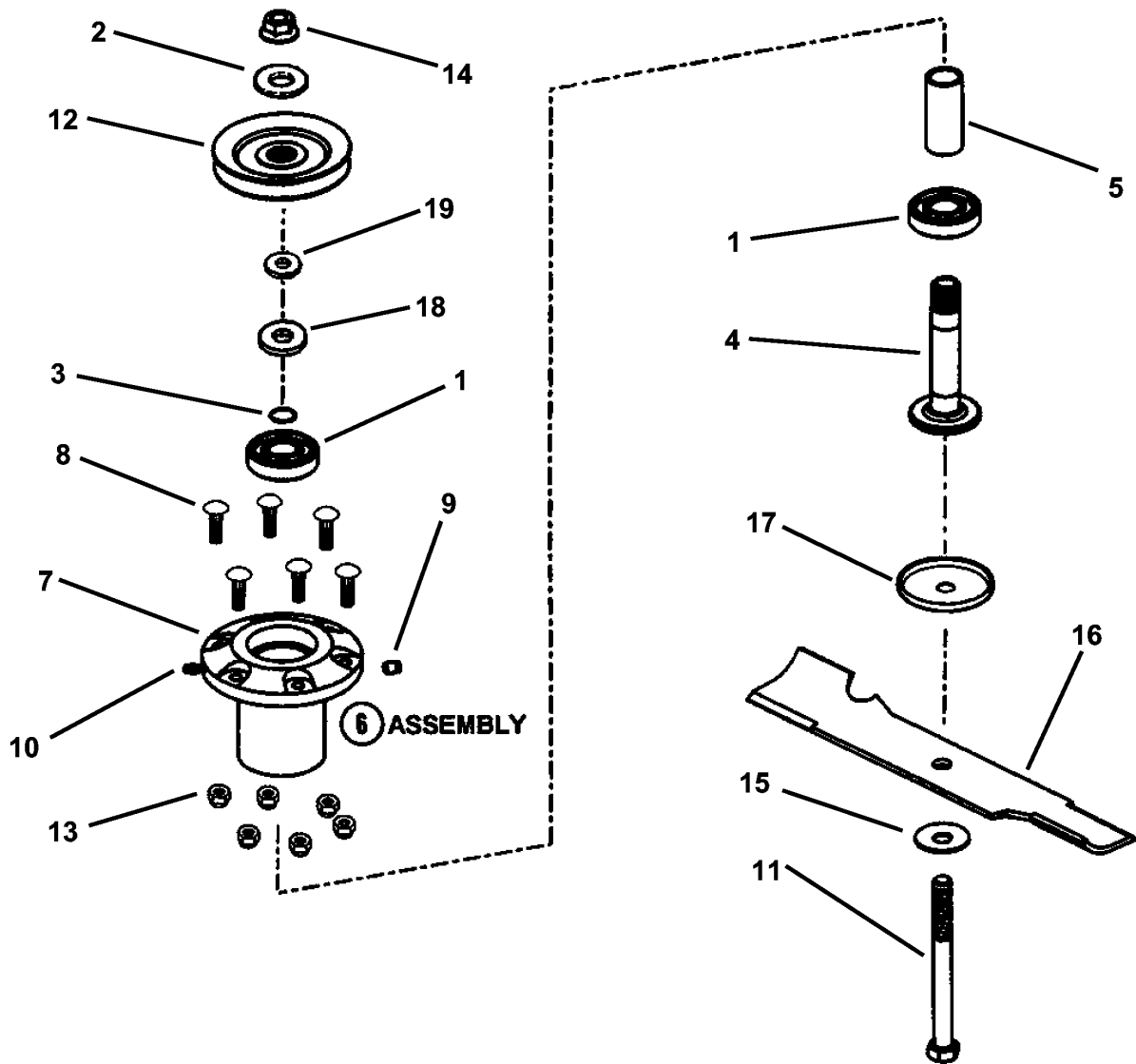


42" Spindle Assembly

Item	Part No	Qty	Description	Note
1	7051914		ASSEMBLY, Spindle Housing, 42" Cutting Deck	<i>Was 59723 (Includes 2 thru 7)</i>
2	7012491	2	RING, Retaining	
3	7013313	2	BEARING, Spindle	
4	7051918		HOUSING, Spindle	<i>Was 47917</i>
5	7032294		HOLDER, Blade	
6	7014407		WASHER, Spindle	
7	7027668		SPINDLE (6.5" overall length)	
8	7010817		FITTING, Lube	

Footnotes:

48" Spindle Assembly (Series 3)

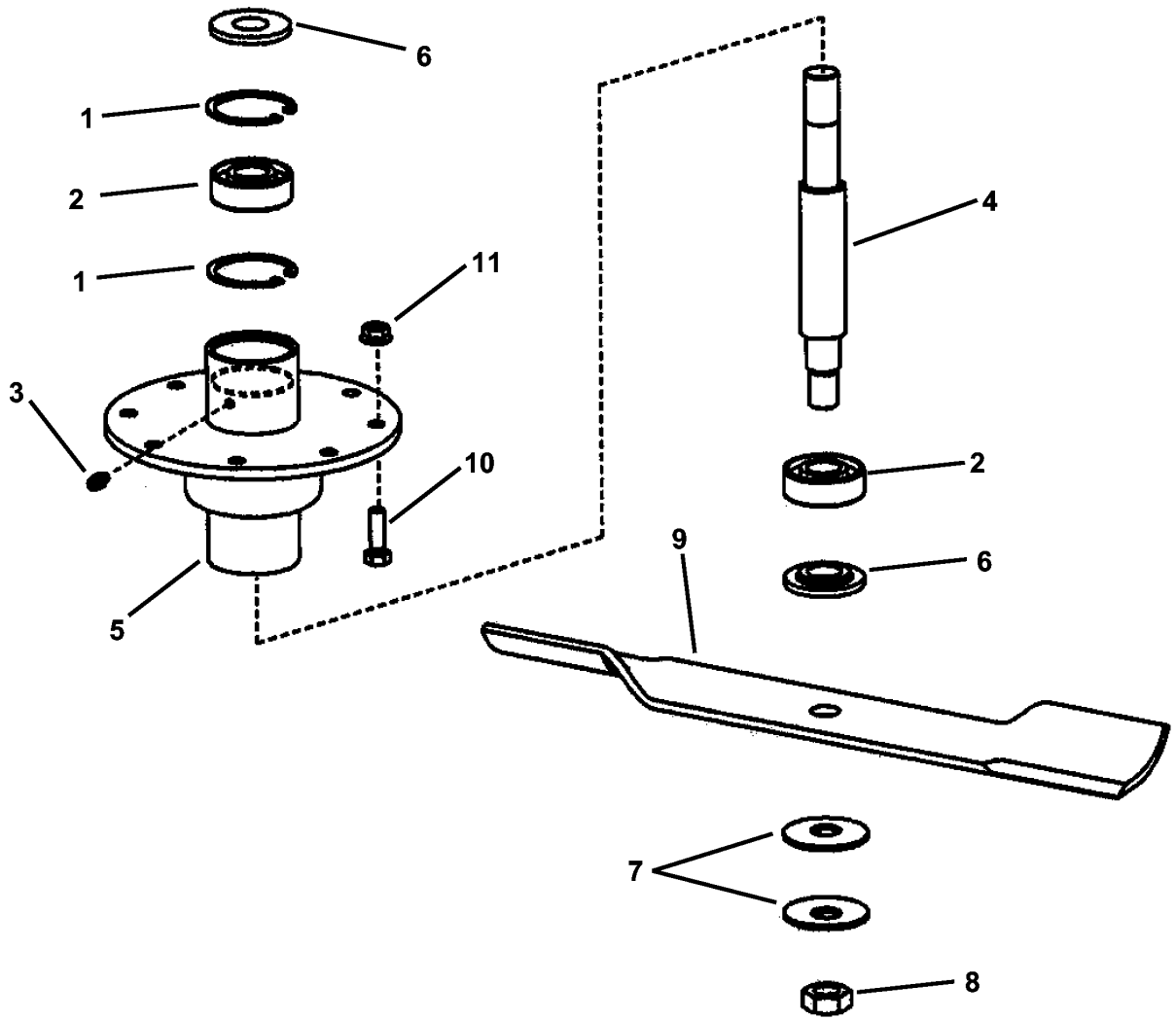


48" Spindle Assembly (Series 3)

Item	Part No	Qty	Description	Note
1	7029422	2	BEARING, Sealed	54011 Spindle assembly consists of Items 1, 3, 4, 5, 6, 9, & 10
2	7027344		WASHER, Spindle	
3	7029274		SNAP-RING, Spindle Shaft	54011 Spindle assembly consists of Items 1, 3, 4, 5, 6, 9, & 10
4	7059311		SHAFT, Spindle	54011 Spindle assembly consists of Items 1, 3, 4, 5, 6, 9, & 10
5	7029254		SPACER, Bearing	54011 Spindle assembly consists of Items 1, 3, 4, 5, 6, 9, & 10
6	7054017		ASSEMBLY, Housing	(includes items 7 thru 10); 54011 Spindle assembly consists of Items 1, 3, 4, 5, 6, 9, & 10
7	7058237		HOUSING, Spindle	Was 29252
8	7029302	6	BOLT, 3/8-16 x 1-1/4" Rib Necked	
9	7029384		VENT, Spindle	54011 Spindle assembly consists of Items 1, 3, 4, 5, 6, 9, & 10
10	7076998		LUBE FITTING, 1/4-28 Thread Forming	Was 29275, 54011 Spindle assembly consists of Items 1, 3, 4, 5, 6, 9, & 10
11	7063235		BOLT, Blade 5/8-11 x 7" Hex Head, Grade 5	
12	7058033		PULLEY, 5-3/4" O.D.	
13	7091299	6	NUT, 3/8-16 Hex Nyloc	
14	7063237		NUT, 5/8-11 Hex Flange Lock, Grade 5	
15	7016440		WASHER, Beveled	
16	7075771		BLADE, 16-5/16"	Was 29247
17	7072077		CUP, Spindle Cover	
	7063240		KIT, Bearing Seal Field Fix	(incl. items 18 & 19); For bearing pre-seal kit installation, discard item 3 & replace with items 18 & 19 as shown.
18	7063238		SEAL, Nylos	
19	7013370		WASHER	
	7054011		Spindle assembly	Items 1, 3, 4, 5, 6, 9, & 10

Footnotes:

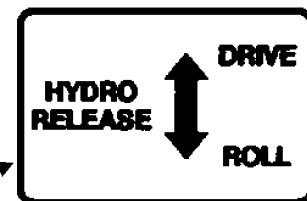
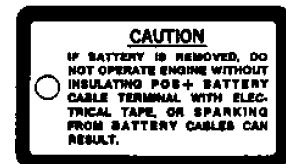
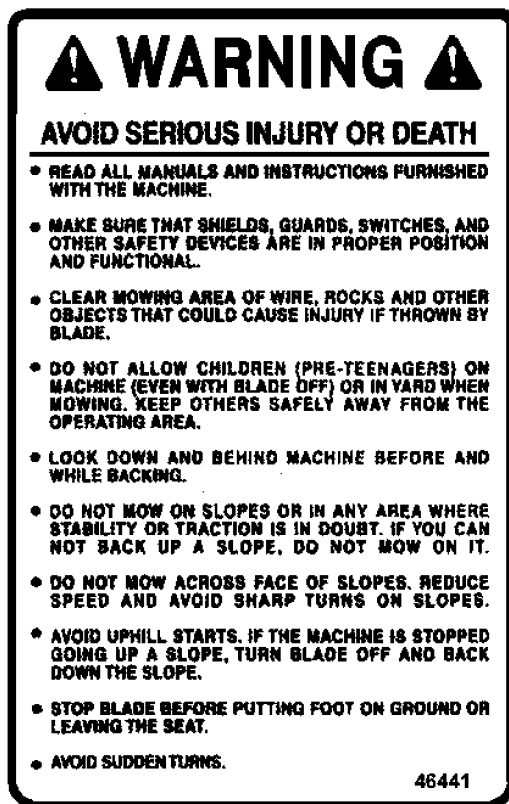
48" Spindle Assembly (Series 4)



48" Spindle Assembly (Series 4)

Item	Part No	Qty	Description	Note
1	7012491	2	RING, 1-3/4" Retaining	
2	7013313	2	BEARING, Ball (3/4" I.D.)	
3	7010817		FITTING, Lube	
4	7073405		SHAFT, 48" Spindle (7.8" Long)	
5	7044798		HOUSING, Spindle (weldment)	
6	7014407	2	WASHER, Spindle	
7	7016440	2	WASHER, Belleville	
8	7090658		NUT, 5/8-18 Hex Jam	
9	7017043		BLADE, 16-1/2" High Lift	
10	7027168	6	SCREW, 5/16-18 x 1" Hex Head Cap, Grade 5	Was 90636
11	7091601	6	NUT, 5/16-18 Hex Flange Lock	Was 91070

Footnotes:



1

2

4

3

5

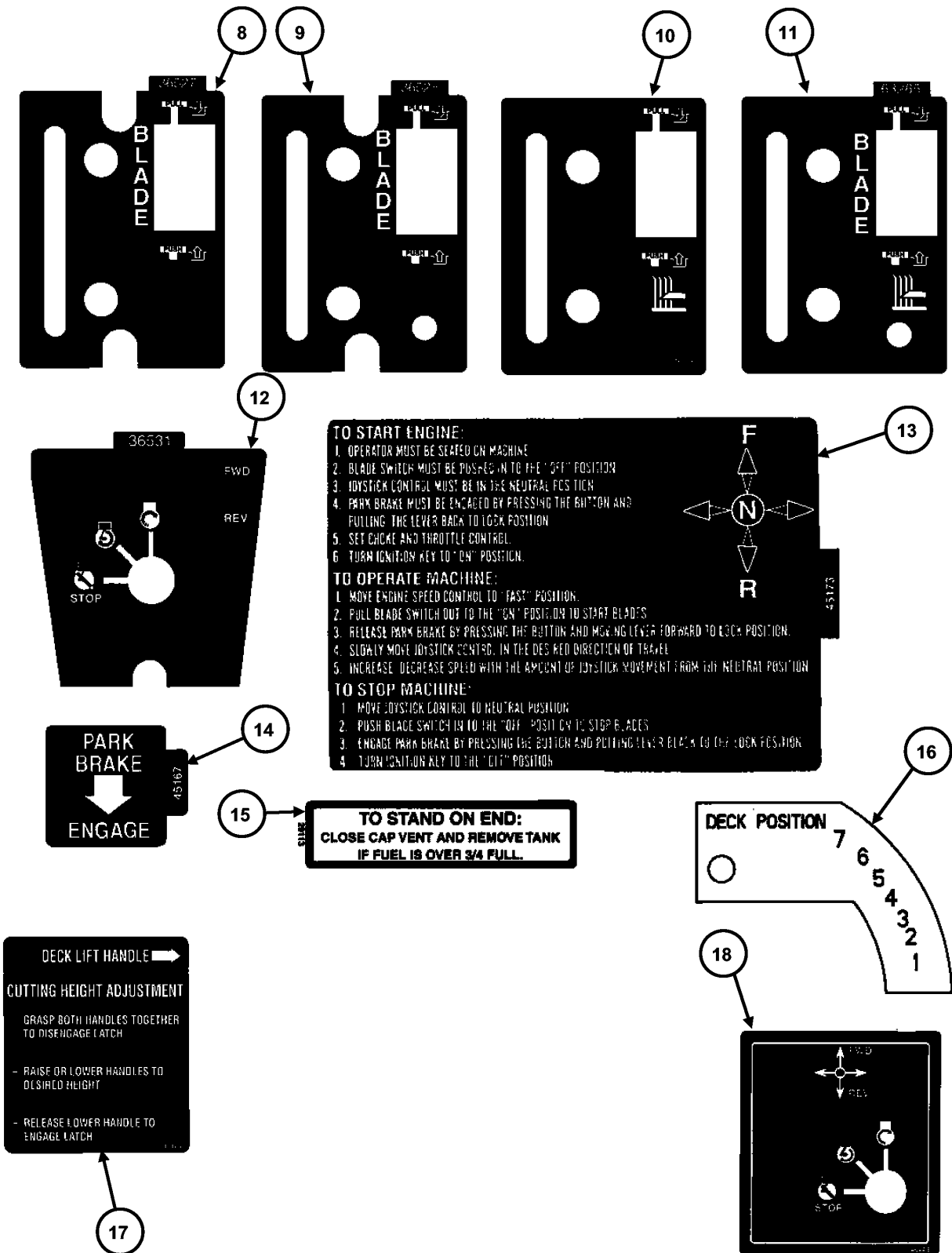
7

6

Decals (Part 1)

Item	Part No	Qty	Description	Note
1	7046720		DECAL, Warning Chute Deflector	
2	7013010		DECAL, CPSC (similar to 1-3010)	<i>Was 26831</i>
3	7046441		DECAL, Safety Instructions	
4	7071696		DECAL, Heat Shield	
5	7016134		DECAL, Caution Tag	
6	7071683		DECAL, Hydro Release	
7	7044767		DECAL, Hydro Reservoir	

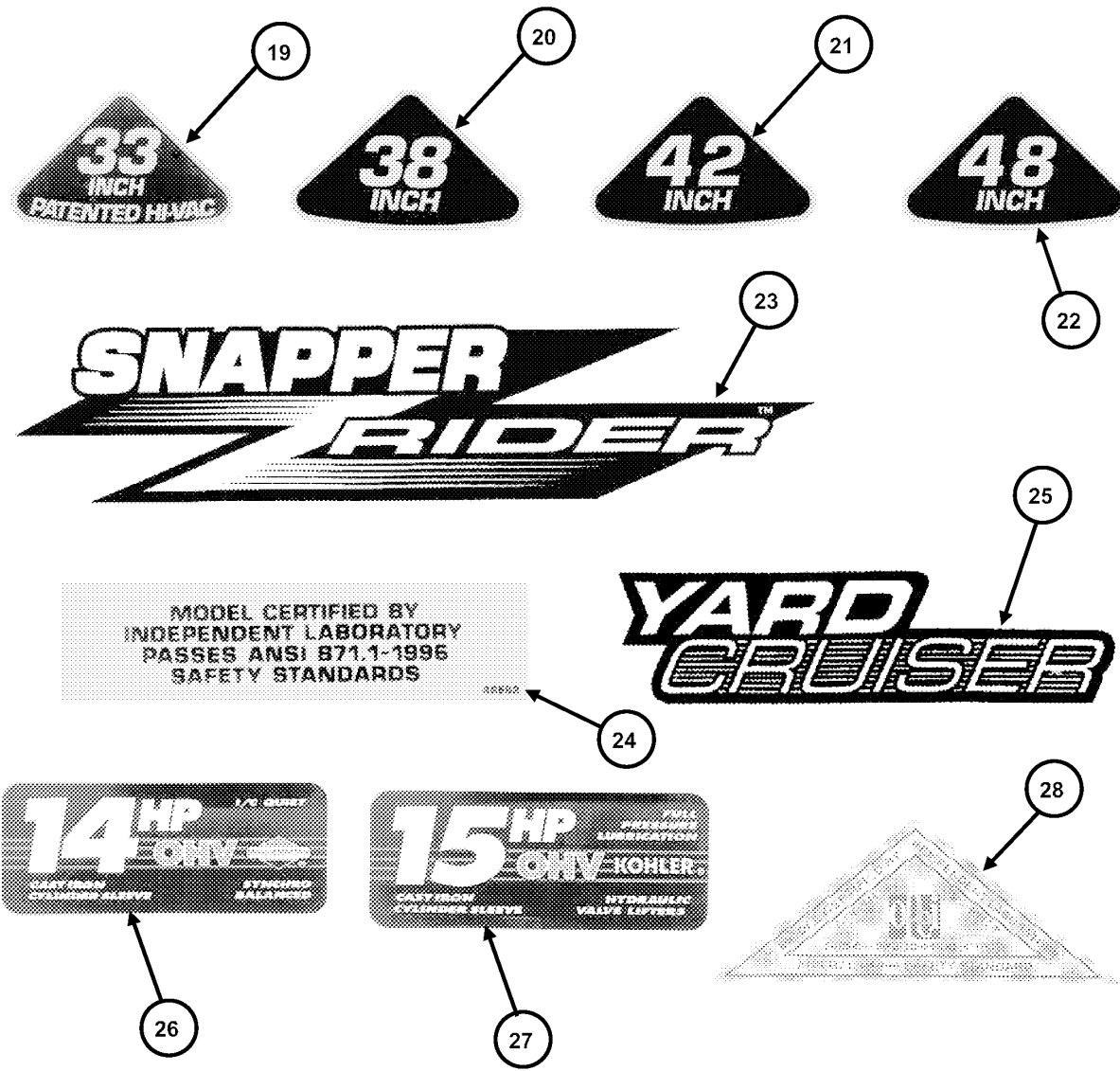
Footnotes:



Decals (Part 2)

Item	Part No	Qty	Description	Note
8	7036527		DECAL, Throttle Control	
9	7036528		DECAL, Throttle Control	
10	7046366		DECAL, Throttle Control	
11	7063265		DECAL, Throttle Control Choke	
12	7036531		DECAL, Ignition Switch	
13	7045173		DECAL, Operation	
14	7045167		DECAL, Parking Brake	
15	7029113		DECAL, Caution Fuel (English)	
16	7046457		DECAL, Deck Position	
17	7046426		DECAL, Deck Height	
18	7046443		DECAL, Ignition Switch LC HOZ	

Footnotes:

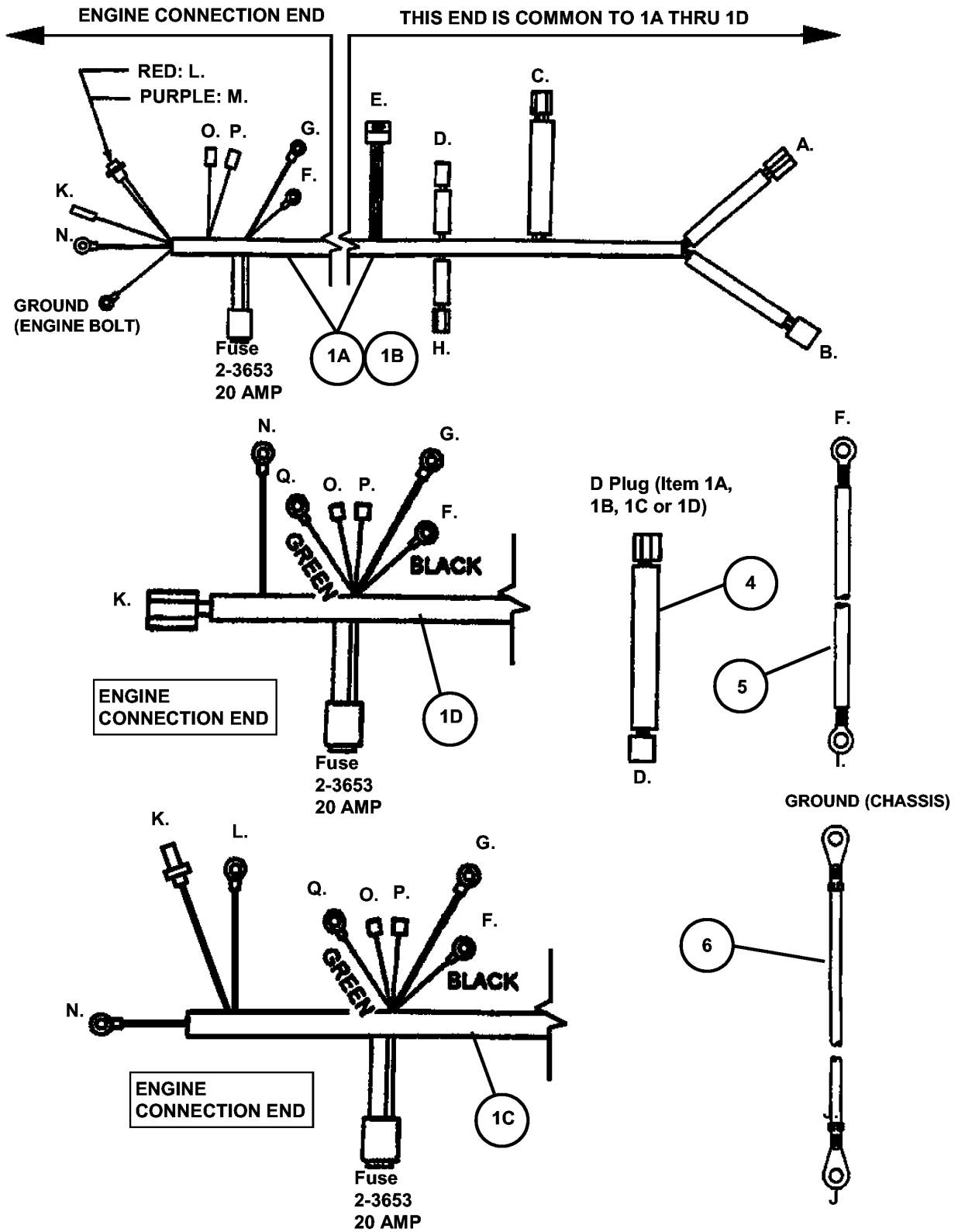


Decals (Part 3)

Item	Part No	Qty	Description	Note
19	7022991		DECAL, 33" Hi-Vac Deck	
20	7026154		DECAL, 38" Deck	
21	7024910		DECAL, 42" Deck	
22	7024431		DECAL, 48" Deck	
23	7035848		DECAL, SNAPPER Z-Rider (Steel Bodied Models)	
24	7046562		DECAL, Certification	
25	7045359		DECAL, Yard Cruiser	
26	7091881		DECAL, Briggs 14HP Engine	
27	7091882		DECAL, Kohler 15HP Engine	
28	7073335		DECAL, OPEI Ride-On	

Footnotes:

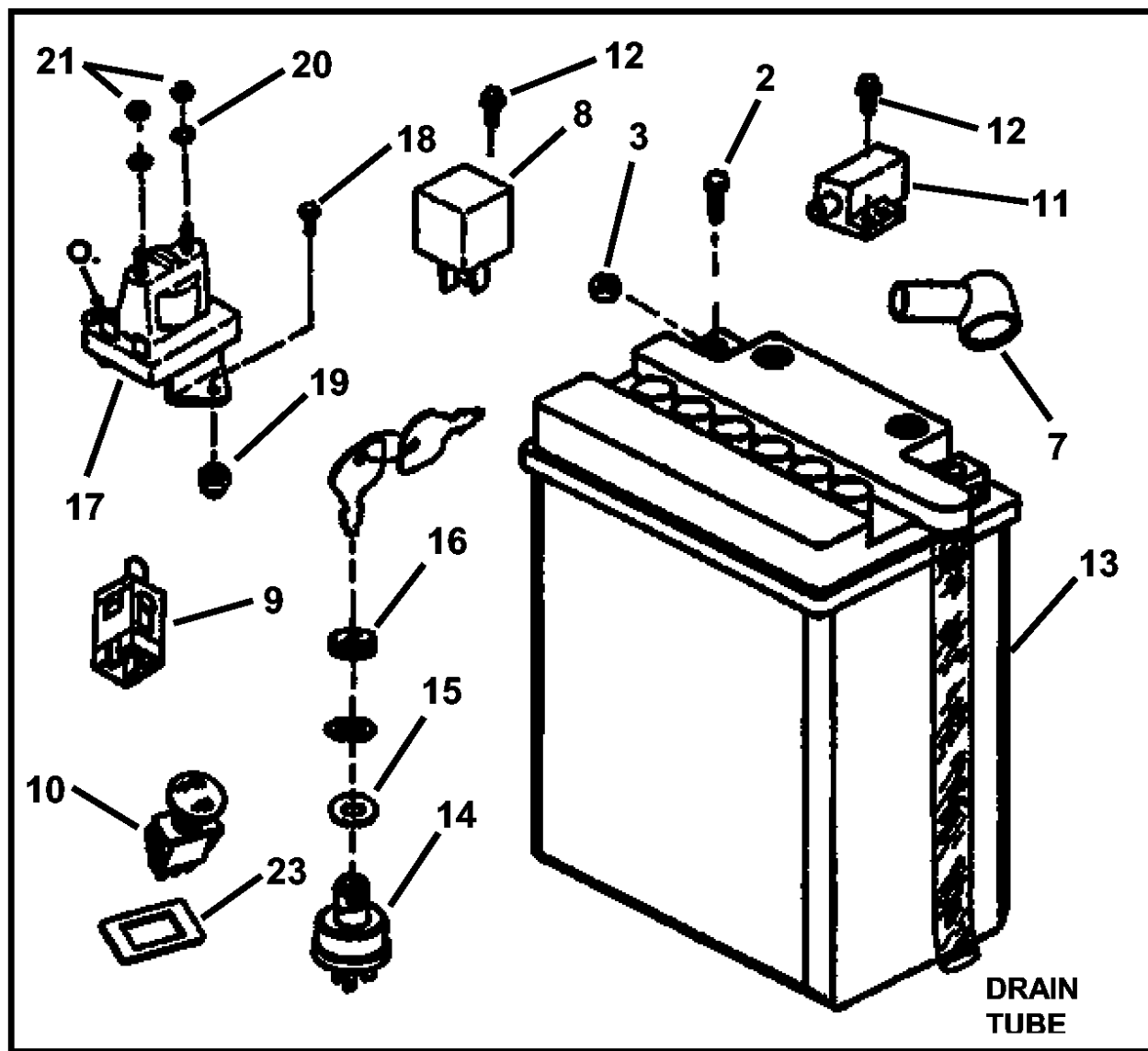
Electrical Components (Part 1)



Electrical Components (Part 1)

Item	Part No	Qty	Description	Note
1A	7075047		WIRING HARNESS	<i>(YZ16424BVE Model)</i>
1B	7047041		WIRING HARNESS	<i>(YZ20484BVE Model)</i>
1C	7042966		WIRING HARNESS	<i>(HZS18483BVE Model)</i>
1D	7036416		WIRING HARNESS	<i>(HZS15423KVE Model)</i>
4	7035926		WIRING HARNESS, Warner Clutch	
5	7016835		WIRE, Positive, 13"	
6	7042956		WIRE, Negative, 14"	

Footnotes:



Electrical Components (Part 2)

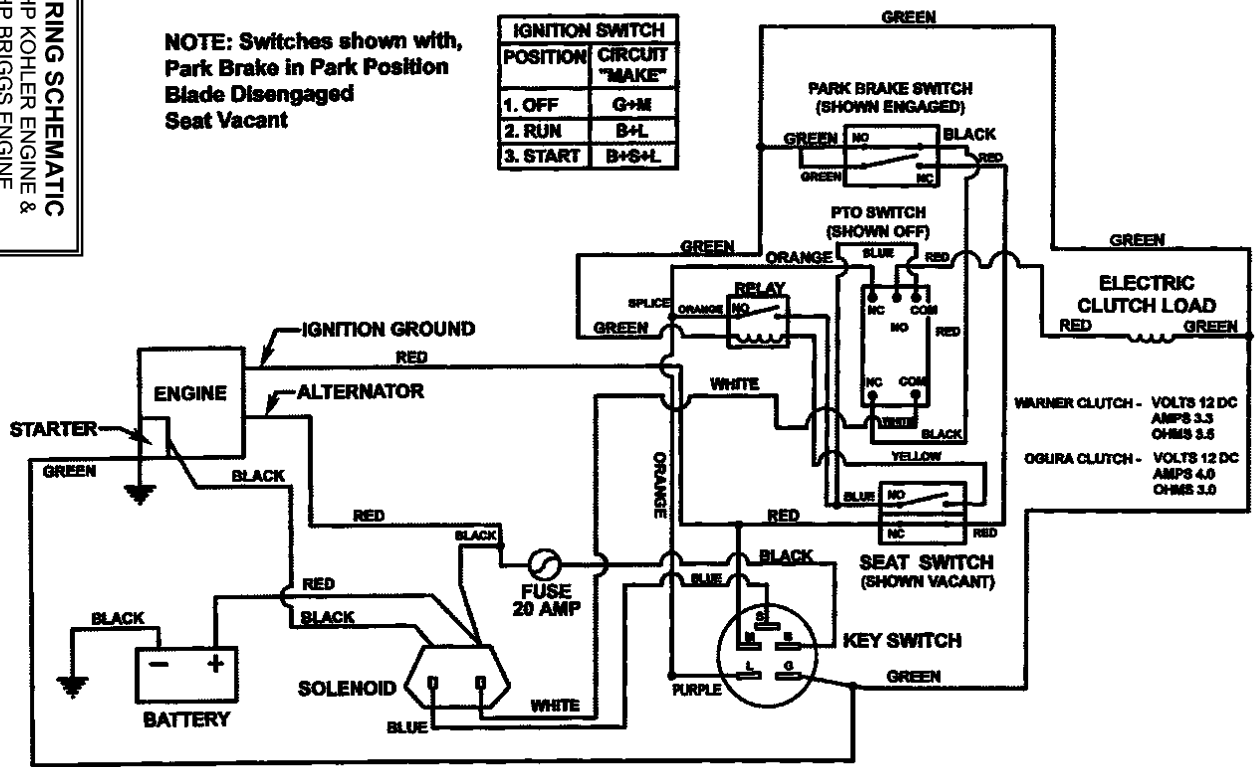
Item	Part No	Qty	Description	Note
2	7090411	2	SCREW, #10-24 x 1/2" Hex Head Cap	
3	7012688	2	NUT, #10-24 Hex Twin "Whiz" Lock	
7	7071694		COVER, Battery Cable	
8	7028570		RELAY, Operator Presence Control	
9	7022886		SWITCH, Seat (NC/NO)	
10	7028542		SWITCH, PTO Electric Clutch	
11	7023355		SWITCH, Park Break (NC/NO)	
12	7090913	3	SCREW, #10-24 x 1/2" Hex Washer Self-Tap (Torx)	
13	7029130		BATTERY, 12 Volt, 14 Amp, 190 Cold Cranking Amp	(Includes Drain Tube)
14	7026343		SWITCH, Ignition (After-fire Solenoid)	
15	7029714		SPACER	
16	7023506		BEZEL	
17	7075622		SOLENOID, 12 Volt (was 18604)	
18	7090071	2	SCREW, 1/4-20 x 1/2" Hex Head Cap, Grade 5	
19	7091584	2	NUT, 1/4-20 Hex Flange Lock, Grade 5	
20	7090053	2	WASHER, 1/4 Internal Tooth Lock	Was 91314
21	7090977	2	NUT, 1/4-20 Hex Jam	
23	7035661		SPACER, PTO Switch	

Footnotes:

WIRING SCHEMATIC
 15 HP KOHLER ENGINE &
 18 HP BRIGGS ENGINE

**NOTE: Switches shown with,
Park Brake in Park Position
Blade Disengaged
Seat Vacant**

IGNITION SWITCH POSITION	CIRCUIT "MAKE"
1. OFF	G+M
2. RUN	B+L
3. START	B+S+L



Wiring Schematics

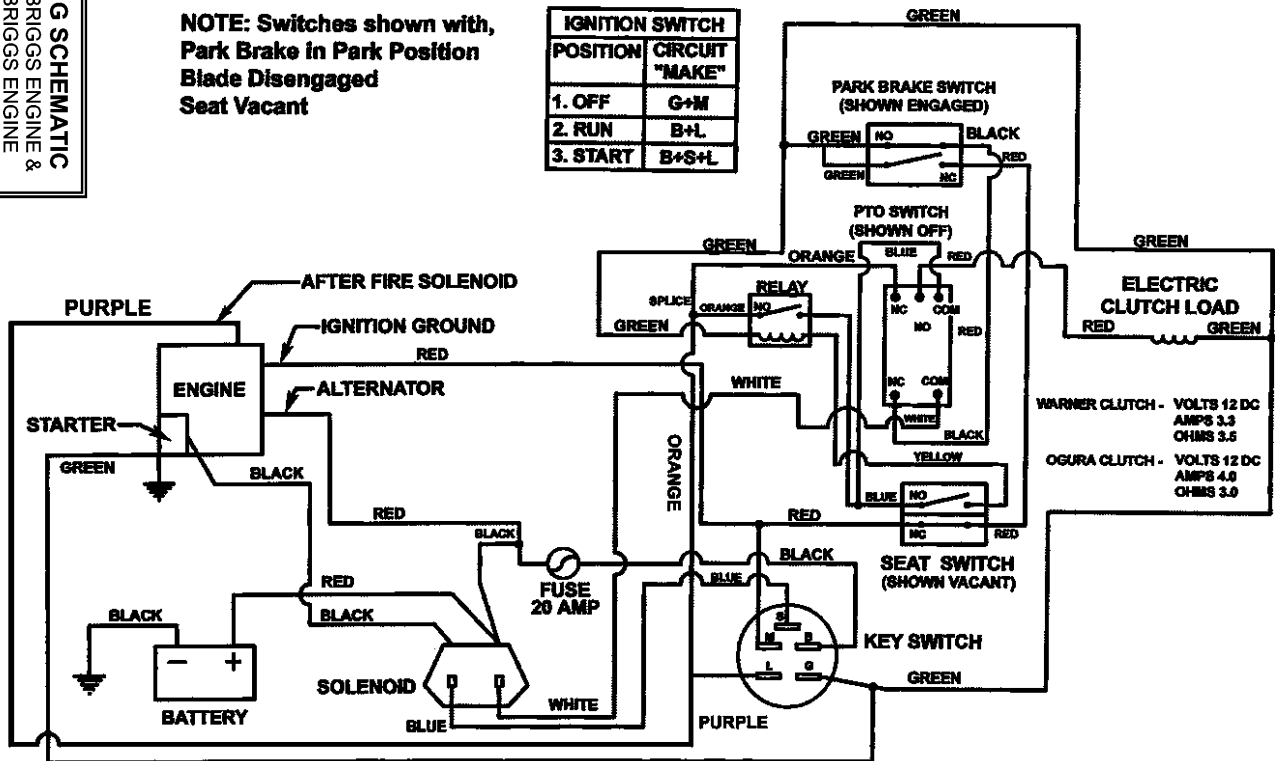
Item	Part No	Qty	Description	Note
*		1	* Wiring Schematic includes harness # 47041 & 75047	

Footnotes:

WIRING SCHEMATIC
 16 HP BRIGGS ENGINE &
 20 HP BRIGGS ENGINE

NOTE: Switches shown with, Park Brake in Park Position Blade Disengaged Seat Vacant

IGNITION SWITCH	
POSITION	CIRCUIT "MAKE"
1. OFF	G+M
2. RUN	B+L
3. START	B+S+L



Wiring Schematics

Item	Part No	Qty	Description	Note
*		1	* Wiring Schematic includes harness # 47041 & 75047	

Footnotes:

Parts Manual for

SNAPPER[®]

YARD CRUISER

HYDRO DRIVE

HZ SERIES 3 & YZ SERIES 4

IT IS THE POLICY OF SNAPPER TO IMPROVE ITS PRODUCTS
WHENEVER IT IS POSSIBLE AND PRACTICAL TO DO SO. WE
RESERVE THE RIGHT TO MAKE CHANGES OR ADD IMPROVEMENTS
AT ANY TIME WITHOUT INCURRING ANY OBLIGATION TO MAKE
SUCH CHANGES ON PRODUCTS MANUFACTURED PREVIOUSLY.

SNAPPER[®] McDonough, GA, 30253 U.S.A.