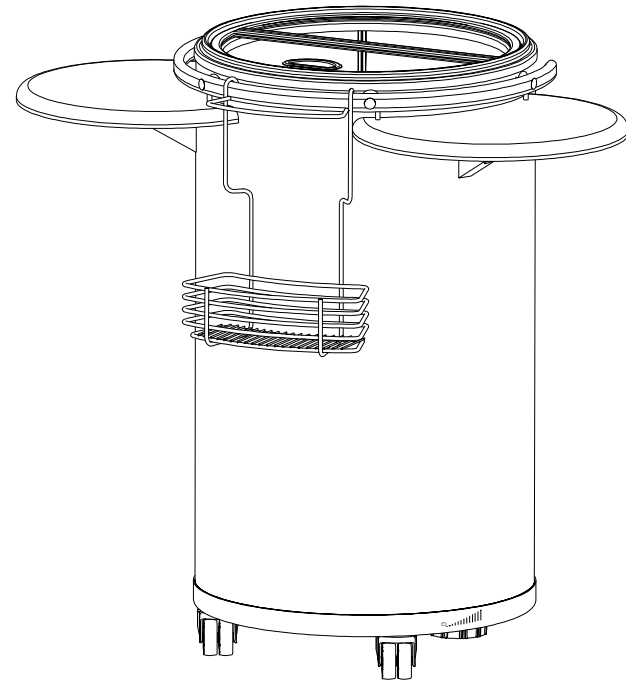


PARTY COOLER



USERS MANUAL

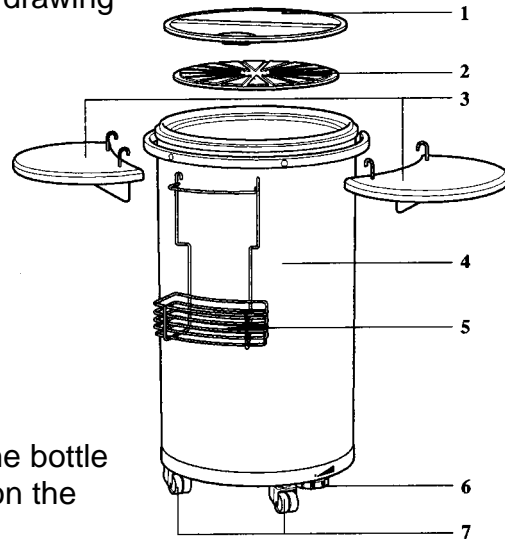
Extent of the delivery:

- Party Cooler as shown on the drawing
- Users manual

Equipment:

1. Transparent tip-up lids
2. Detachable bottom
3. Two side tables of hardwood
4. Refrigerating compartment
5. Bottle holder
6. Variable temperature control
7. Ball bearing castors

Mount the two side tables and the bottle holder on the handle as shown on the drawing.



Side Table Installation

Temperature
control

NB!

Avoid overloading the side tables, or else the Party Cooler may lose its balance (max. 5 kg per side table)!

6. Cleaning

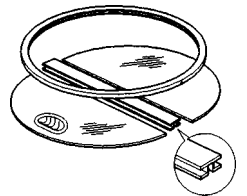


Wiping off the condensed water and occasional cleaning is the only maintenance needed.

NB!

In no circumstances use soap or cleaning agents containing soda and abrasive substances for the cleaning.

1. Pull the plug out of the wall socket.
2. Remove the side tables and the bottle holder.
3. Remove the lid.
4. Remove the contents of the appliance.
5. Remove the detachable bottom.
6. Wipe the inside and outside surfaces with a damp cloth. The addition of vinegar (cleaning vinegar, cooking vinegar or vinegar essence) to the water is good for the prevention of mould fungus.
7. Take the lid apart as shown on the drawing and clean it.
8. Clean the detachable bottom and the lid parts with lukewarm water and detergent.
9. Wipe all parts thoroughly after the cleaning.
10. Turn the slits in the sealing ring and in the hinge rubber strip downwards when assembling the lid.



IMPORTANT :

When the Party Cooler is not in use, it must be completely dry inside to avoid mould growth (if possible, leave the lid open).

4. Temperature control



When the thermostat knob is turned to the right, the temperature will get lower.

You turn off the appliance by turning the thermostat knob to the left until a click is heard.



5. Starting

Before using the appliance, it is advisable to wash down the inside with lukewarm water and a mild detergent, and then to dry it off thoroughly.

The temperature in the appliance will depend on:

- The temperature in the room.
- The frequency and duration of periods when the lid is open.
- The amount of goods.

It may therefore be necessary to change the thermostat setting from time to time.

The outer mantle may get warm, but the temperature will get lower when the goods have attained the wanted temperature.

Contents:

1. Before using the cooler	4
2. Placing	4
3. Electrical connection	5
4. Temperature control	6
5. Starting	6
6. Cleaning	7

1. Before using the appliance



Please read these instructions carefully. They will give you important information on the installation, operation and maintenance of the appliance.



If you throw out an old appliance, it is important to destroy the locking mechanism (not all models).



Never connect damaged appliances to the mains. All kinds of service and repair work should be carried out by authorised service men, contact your dealer for further information. The unit is only to be used for the cooling of beverages. Bottles may burst when being cooled at very low temperatures. Do not place inflammable liquids or gasses in the appliance owing to risk of explosion.

2. Placing



The appliance should not be exposed to direct sunlight or placed up against a heat source.

The appliance must be placed on an even, horizontal and stable surface.

When moving your appliance, do not seize hold of it under the bottom, as there might be sharp edges.

3. Electrical connection



The appliance observes the following current EU directives:

Low Voltage 73/23 EG.

Electromagnetic Compatibility 89/336 EEC.

The appliance must be protected extra according to the power regulations in order to protect the user against dangerous electric shocks in the case of defects.

If the socket is for a three-pin plug, a three-pin plug is used and the wire with yellow/green insulation must be connected to the earth terminal (marked \perp).

If the socket is for a two-pin plug, a two-pin plug is used. If you assemble this one yourself, the wire with yellow/green insulation must be cut off as close as possible to the place where it enters the plug.

When changing the power cord, it must be replaced by a power cord of corresponding type.

In no circumstances cut in or remove parts from the electric circuit.