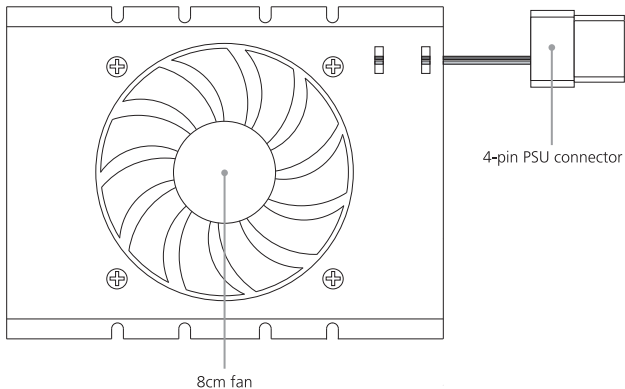




Hard Drive Cooler **RFHD-80BK/BL**
User Manual



- Turn off computer. Disconnect power at source. Do the same with related devices
- Remove computer case side panel. Remove hard drive from chassis
- Attach the Rosewill Hard Drive Cooler to hard drive with the four screws provided
- Screw down vertically and tighten. Re-install hard disk to chassis
- Connect power cable to a 4-pin PSU connector. Turn on computer



Features

- Black / Blue hard drive cooler with 80mm fan
- Extends the life of the hard drive
- Directly fits onto 3.5" hard drive
- Air Flow : 23.66CFM
- Noise Level : 21.47dBA

RFHD-80BK/BL

| | |
|--------------|---------------------------|
| Fan Size | 80x 10 mm fan |
| Bearing Type | Sleeve for over 30000/hrs |
| RPM | 1800 RPM |
| Air Flow | 23.66CFM |
| Noise Level | 21.47dBA |

Thank you for purchasing a High-Quality Rosewill Product.

Please register your product at : www.rosewill.com

for complete warranty information and future support for your product.

If you have any question while using our products, please visit our website : www.rosewill.com
for latest driver & user manual or feel free to contact us at feedback@rosewill.com

Support Email: techsupport@rosewill.com