

*Parts Manual for*

# **SNAPPER®**

## **ELECTRIC CLUTCH HYDRO DRIVE RMO TRACTORS LT-200 SERIES**

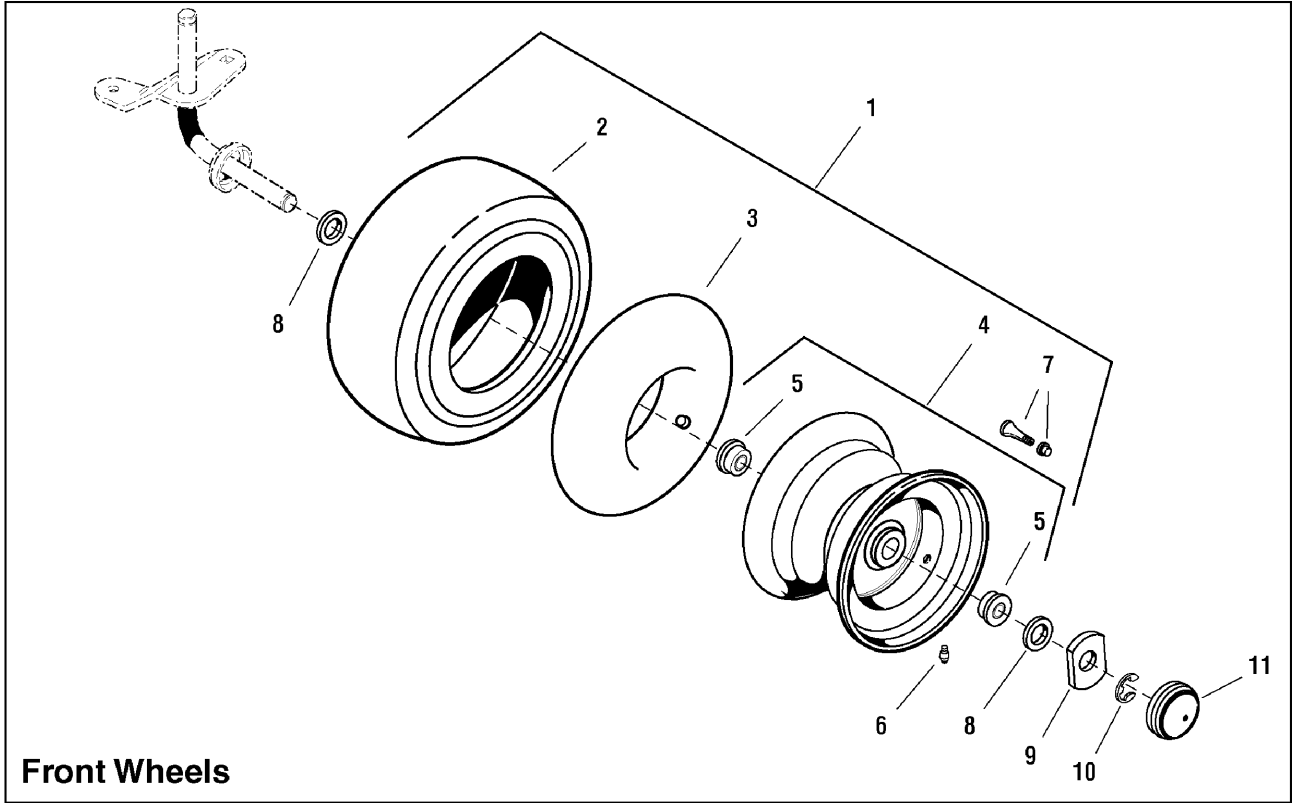


| <b>MODEL</b>              |
|---------------------------|
| <b>ELT18538 (2690497)</b> |
| <b>ELT2044 (2690498)</b>  |
| <b>LT18538 (2690440)</b>  |
| <b>LT18500 (2690518)</b>  |
| <b>LT2042 (2690441)</b>   |
| <b>LT2044 (2690442)</b>   |
| <b>LT22500 (2690443)</b>  |

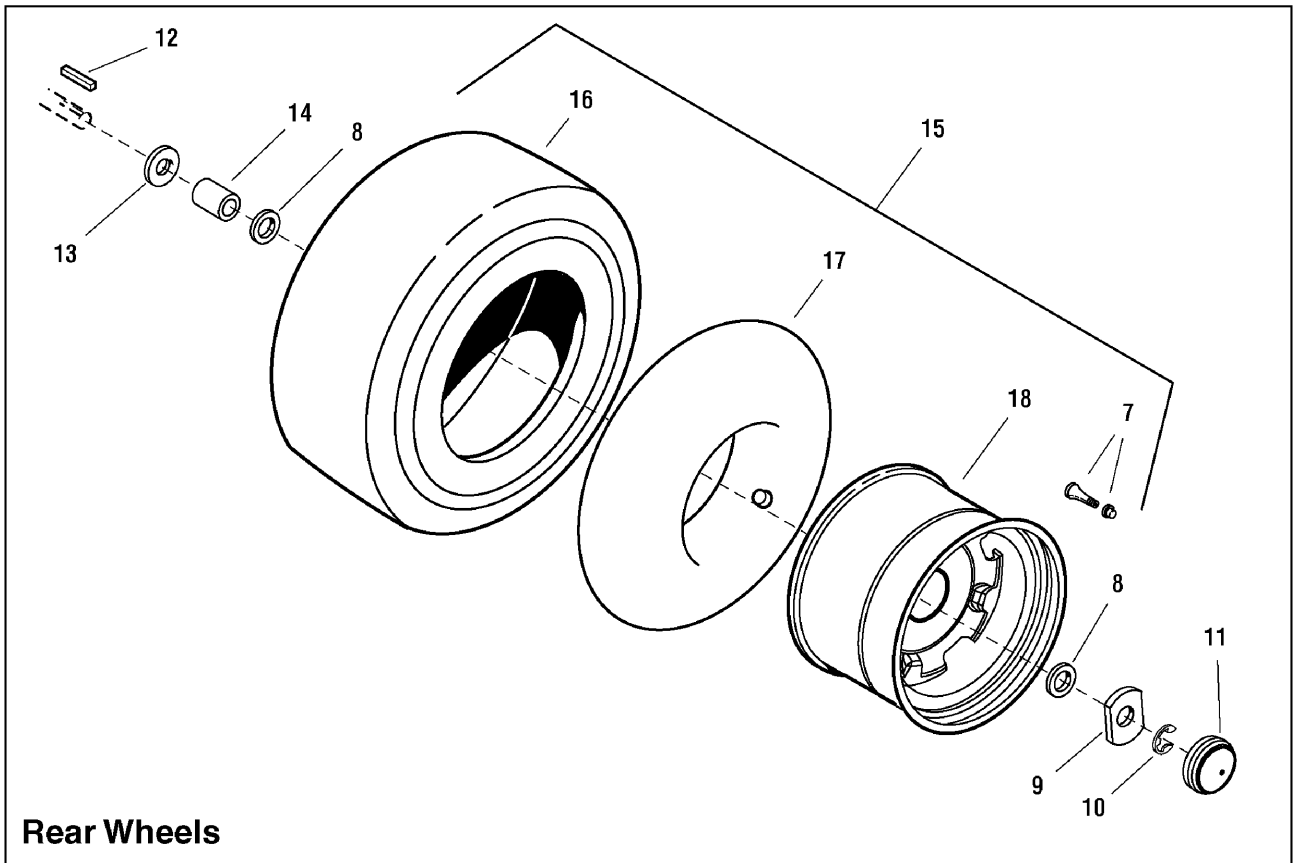
**SNAPPER®** McDonough, GA, 30253 U.S.A.



| <b>PAGE</b> | <b>GROUP</b>  |
|-------------|---|
| 4           | Wheels & Tires Group  |
| 6           | Frame & Front Axle Group                                    |
| 8           | Steering Group  |
| 10          | Transmission Group  |
| 12          | Controls Group  |
| 14          | Engine & Electric Clutch Group, 38" & 42"                   |
| 18          | Engine & Electric Clutch Group, 44" & 50"                   |
| 22          | Hood, Grille & Dash Group                                   |
| 24          | Seat Deck & Fuel Tank Group                                 |
| 26          | Electrical Group  |
| 30          | Lift Group - Manual   |
| 32          | 38" & 42" Mower Deck - Belt, Idler Arm & Hitch Group        |
| 34          | 38" & 42" Mower Deck - Height Adjustment & Roller Bar Group |
| 36          | 38" & 42" Mower Deck - Housing, Arbors & Blades Group       |
| 38          | 44" & 50" Mower Deck - Belt, Idler Arm & Hitch Group        |
| 40          | 44" & 50" Mower Deck - Height Adjustment & Roller Bar Group |
| 42          | 44" Mower Deck - Housing, Arbors & Blades Group             |
| 46          | 50" Mower Deck - Housing, Arbors & Blades Group             |
| 50          | Decals Group  |
| 52          | Wiring Schematic (1728097)                                  |



**Front Wheels**



**Rear Wheels**

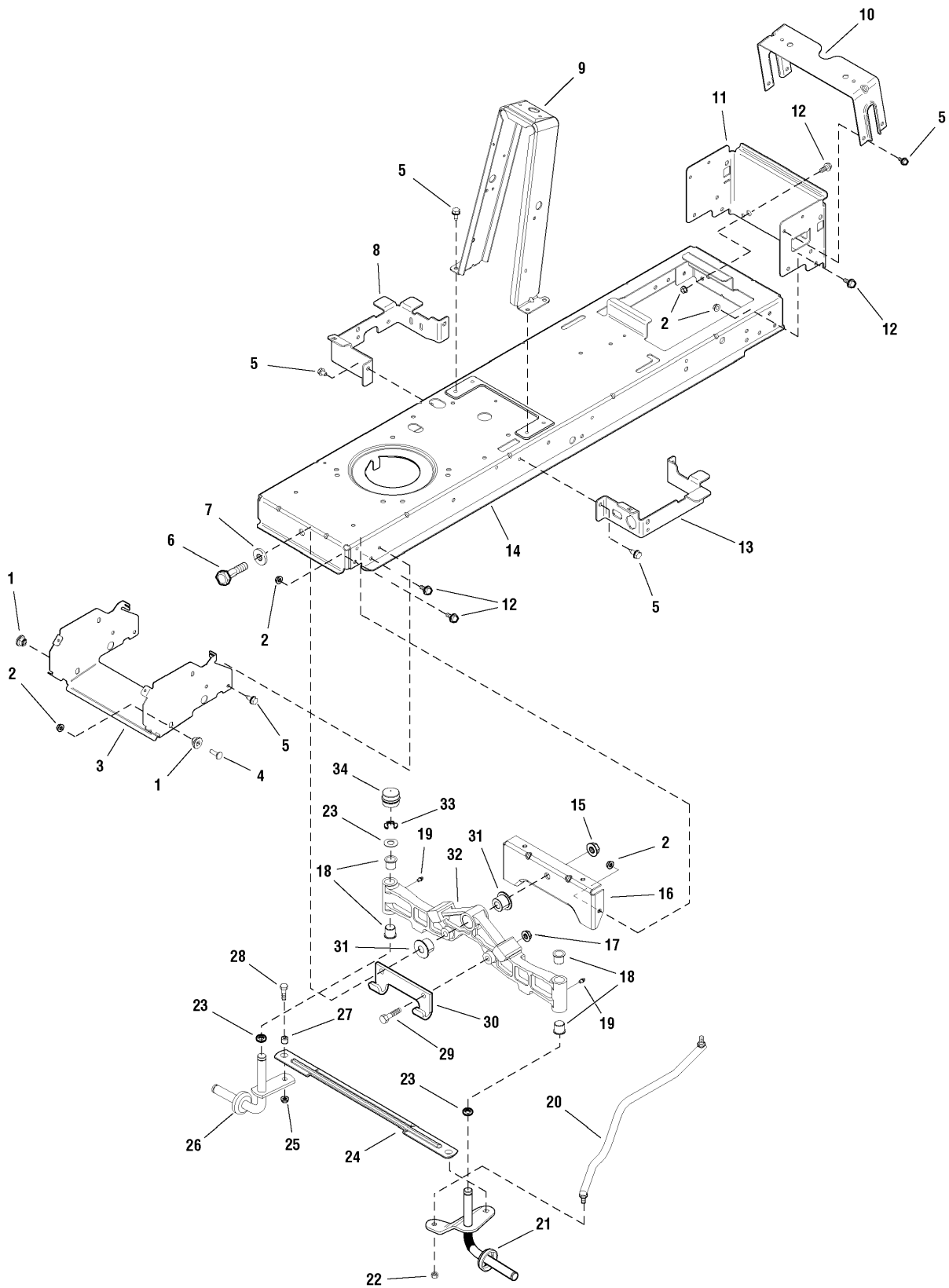
## **Wheels & Tires Group**

---

| <b>Item</b> | <b>Part No</b> | <b>Qty</b> | <b>Description</b>  | <b>Note</b> |
|-------------|----------------|------------|---|-------------|
| 1           | 1729708        | 2          | WHEEL & TIRE ASSEMBLY, Front                              |             |
| 2           | 1731951        | 1          | TIRE, Turf 15 X 6.00 - 6 Saver TL                         |             |
| 3           | 1664090        | 1          | TUBE, Tire, Front   |             |
| 4           | 1726301        | 1          | WHEEL & BUSHINGS ASSEMBLY, Front                          |             |
| 5           | 1713167        | 4          | BEARING   |             |
| 6           | 2812808        | 1          | FITTING, Grease, 1/4-28 Thread                            |             |
| 7           | 2172353        | 2          | VALVE STEM & CAP  |             |
| 8           | 1960160        | 8          | WASHER, 3/4   |             |
| 9           | 1722717        | 4          | WASHER, Special Yellow                                    |             |
| 10          | 2827794        | 4          | RING, Retaining   |             |
| 11          | 1722676        | 4          | CAP, Hub  |             |
| 12          | 1713409        | 2          | KEY, 3/16 x 3/16 x 3                                      |             |
| 13          | 2860202        | 2          | WASHER  |             |
| 14          | 1730181        | 2          | SPACER, 0.77 ID x 1-1/4 OD x 1.65 LG Powdered Metal Black |             |
| 15          | 1729709        | 2          | WHEEL & TIRE ASSEMBLY, Rear 20"                           |             |
| 15          | 1729710        | 2          | WHEEL & TIRE ASSEMBLY, Rear 22"                           |             |
| 16          | 1731952        | 1          | TIRE, Turf 22 X 8.00 - 8 Saver TL                         |             |
| 16          | 1731953        | 1          | TIRE, Turf 22 X 10.00 - 8 Saver TL                        |             |
| 17          | 2164247        | 1          | TUBE, Tire, Rear, 22 X 8 - 8                              |             |
| 17          | 2173477        | 1          | TUBE, Tire, Rear, 22 X 10 - 8                             |             |
| 18          | 1731954        | 1          | WHEEL, Hub  |             |

### **Footnotes:**

# Frame & Front Axle Group

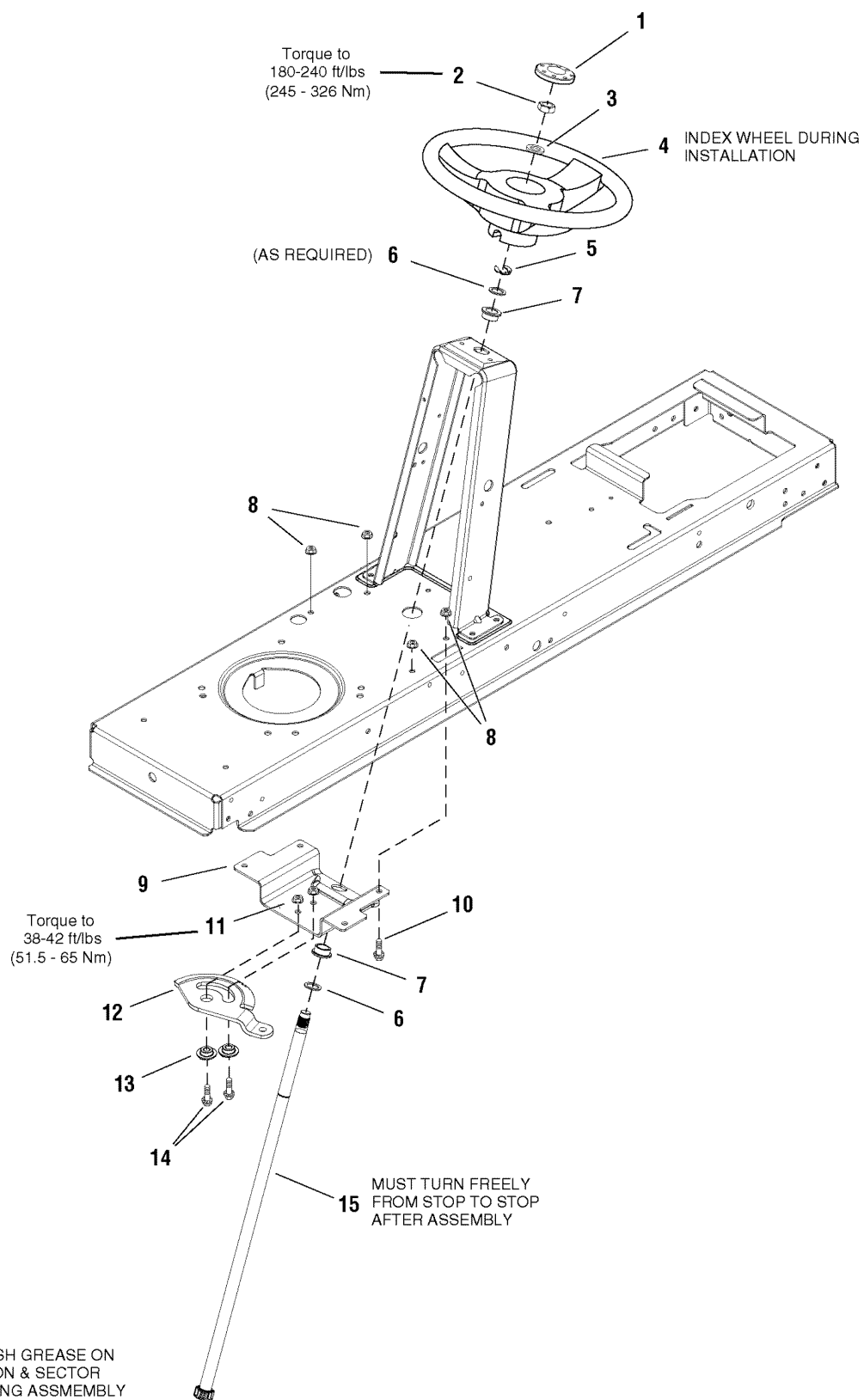


## Frame & Front Axle Group

| Item | Part No  | Qty | Description   | Note |
|------|----------|-----|---|------|
| 1    | 1728086  | 2   | PIVOT, Hood Powdered Metal                          |      |
| 2    | 1931277  | 16  | NUT, Hex, Flange Whizlock, 5/16-18                  |      |
| 3    | 1727982A | 1   | SUPPORT, Muffler, Hood 14GA                         |      |
| 4    | 1931335  | 2   | CARRIAGE BOLT, 5/16-18 x 1                          |      |
| 5    | 1930601  | 14  | SCREW, Taptite, 5/16-18 x 5/8                       |      |
| 6    | 2860744  | 1   | CAPSCREW, Hex Head, 5/8-11 x 3-1/4 G5               |      |
| 7    | 1960035  | 1   | WASHER, Flat, 5/8                                   |      |
| 8    | 1727904A | 1   | SUPPORT, Front Footrest RH                          |      |
| 9    | 1727260A | 1   | TOWER, 12GA   |      |
| 10   | 1731310A | 1   | SUPPORT, Seat Deck 12GA                             |      |
| 11   | 1731309A | 1   | SUPPORT, Rear Frame 12GA                            |      |
| 12   | 1930591  | 14  | CAPSCREW, Hex Head, Flange Whiz Lock, 5/16-18 x 3/4 |      |
| 13   | 1727905A | 1   | SUPPORT, Front Footrest LH                          |      |
| 14   | 1727901A | 1   | FRAME, 12GA   |      |
| 15   | 2860646  | 1   | NUT, Hex Flange Two-Way Lock, 5/8-11                |      |
| 16   | 1727902A | 1   | PLATE, Axle Support                                 |      |
| 17   | 1930650  | 2   | LOCKNUT, Hex, Flange, 7/16-14                       |      |
| 18   | 2176440  | 4   | BUSHING, Nylon, 3/4 Diameter                        |      |
| 19   | 1704214  | 3   | FITTING, Zerk                                       |      |
| 20   | 1727868  | 1   | LINK, Drag  |      |
| 21   | 1727873A | 1   | SPINDLE & ARM ASSEMBLY, LH                          |      |
| 22   | 1960747  | 2   | NUT, Hex Nylock 3/8-24                              |      |
| 23   | 1960160  | 4   | WASHER, 3/4   |      |
| 24   | 1728080A | 1   | ROD, Tie  |      |
| 25   | 1930645  | 2   | NUT, Hex, Flange, Locking, 3/8-16                   |      |
| 26   | 1727872A | 1   | SPINDLE & CUP ASSEMBLY, RH                          |      |
| 27   | 1731912  | 2   | BUSHING, Powdered Metal                             |      |
| 28   | 1960032  | 2   | CAPSCREW, Hex Head, 3/8-16 x 1-1/4, .141 Thread G5  |      |
| 29   | 1927531  | 2   | CAPSCREW, 7/16-14 x 2                               |      |
| 30   | 1721918A | 1   | HOOK, "J"   |      |
| 31   | 1730186  | 2   | BUSHING, Axle Pivot Powdered Metal                  |      |
| 32   | 1728018  | 1   | AXLE, Front Iron Casting Machined                   |      |
| 33   | 1611710  | 2   | RING, Klipring Extension                            |      |
| 34   | 1726504  | 2   | CAP, Hub  |      |

### Footnotes:

# Steering Group



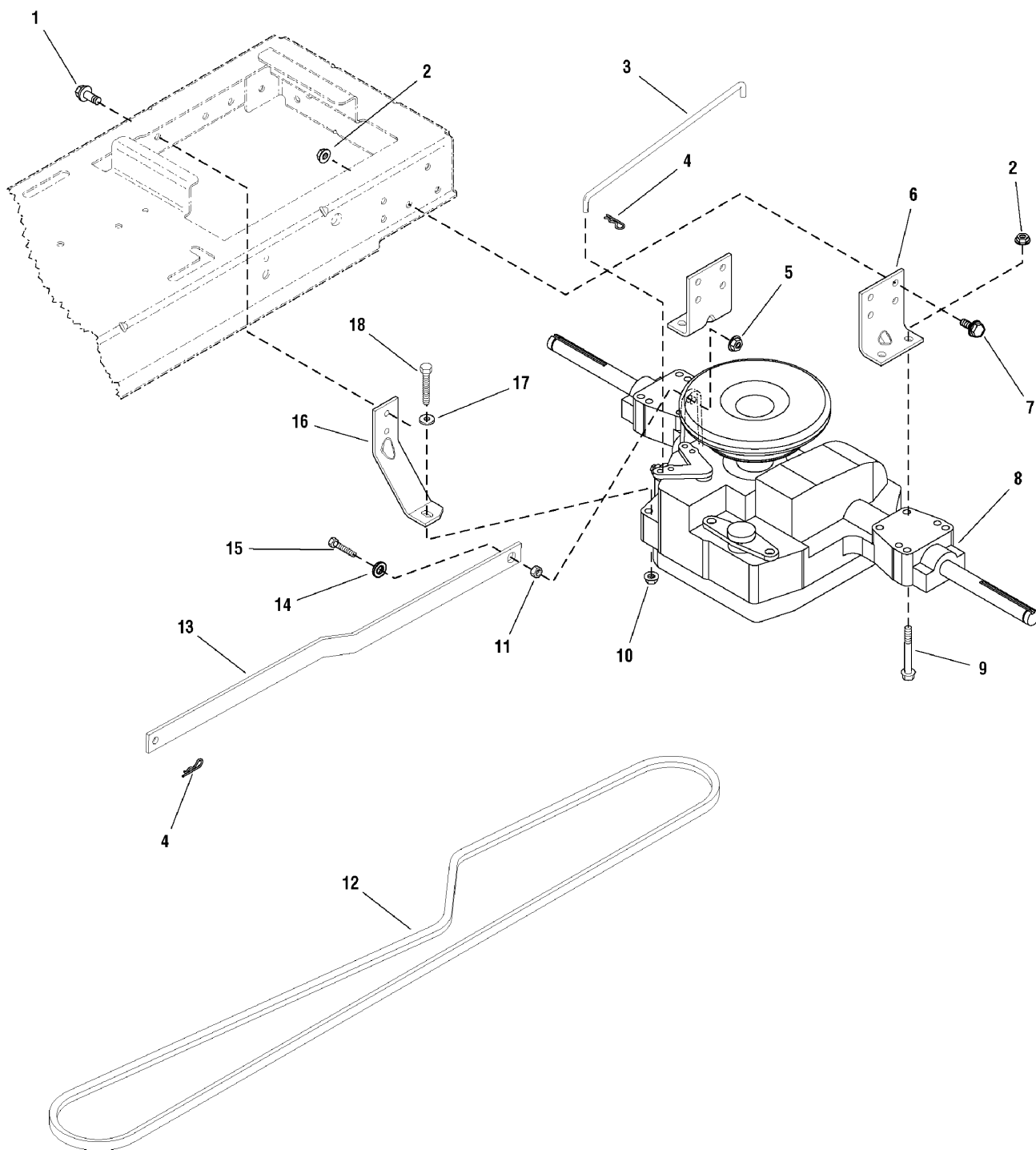


## Steering Group

---

| Item | Part No  | Qty | Description  | Note |
|------|----------|-----|--|------|
| 1    | 1725024  | 1   | CAP, Steering Wheel, Plain                               |      |
| 2    | 1960576  | 1   | NUT, Hex Lock, ESNA Light, 5/8-18, Thin                  |      |
| 3    | 1924366  | 1   | WASHER, 5/8  |      |
| 4    | 1728069  | 1   | STEERING WHEEL, w/Aluminum Insert                        |      |
| 5    | 1611710  | 1   | RING, Klipring Extension                                 |      |
| 6    | 1960114  | 2   | WASHER   |      |
| 7    | 1729665  | 2   | BUSHING, Steering  |      |
| 8    | 1931277  | 4   | NUT, Hex, Flange Whizlock, 5/16-18                       |      |
| 9    | 1727940A | 1   | BRACKET, Sector Support                                  |      |
| 10   | 1930591  | 4   | CAPSCREW, Hex Head, Flange Whiz Lock, 5/16-18 x 3/4      |      |
| 11   | 1931211  | 2   | NUT, Whizlock, 3/8-16                                    |      |
| 12   | 1728027  | 1   | GEAR, Steering, 26 teeth                                 |      |
| 13   | 1728122  | 2   | SPACER, Sector Gear 0.374ID 1.25OD Powdered Metal Yellow |      |
| 14   | 1934654  | 2   | CAPSCREW, Hex, Flange, Whizlock, 3/8-16 x 1              |      |
| 15   | 1727813  | 1   | SHAFT, Steering Gear & Spline Yellow                     |      |

### Footnotes:

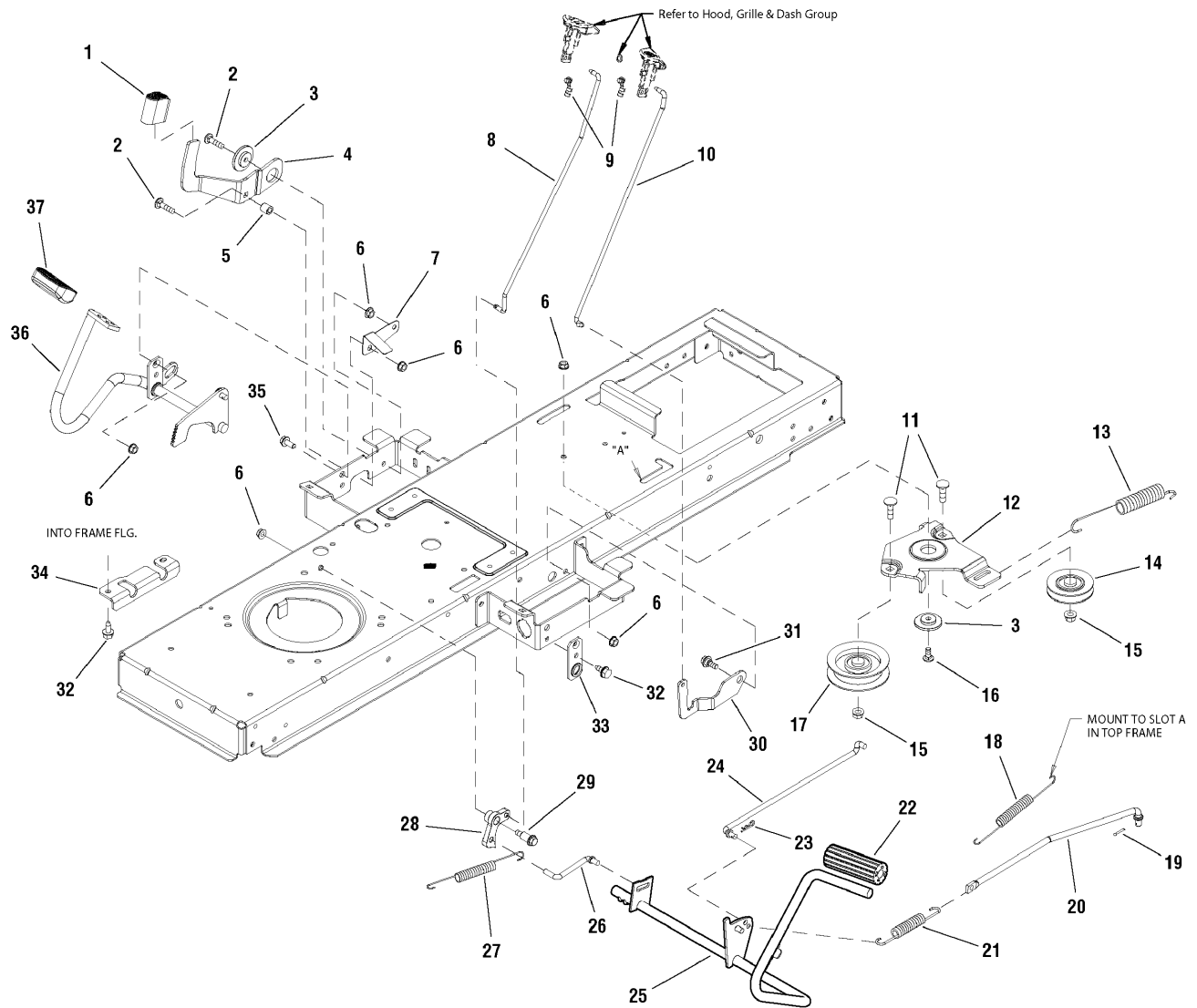


## Transmission Group

---

| Item | Part No  | Qty | Description   | Note                               |
|------|----------|-----|---|------------------------------------|
| 1    | 1664847  | 1   | CAPSCREW, Hex Head, Taptite, 5/16-18 x 3/4          |                                    |
| 2    | 1931277  | 8   | NUT, Hex, Flange Whizlock, 5/16-18                  |                                    |
| 3    | 1728120  | 1   | ROD, Bypass, 11.44 LG Yellow                        |                                    |
| 4    | 1722460  | 2   | PIN, Quick  |                                    |
| 5    | 1960686  | 1   | NUT, Hex Flange, 5/16-18 ESNA                       |                                    |
| 6    | 1727903A | 2   | SUPPORT, Transmission                               |                                    |
| 7    | 1930591  | 4   | CAPSCREW, Hex Head, Flange Whiz Lock, 5/16-18 x 3/4 |                                    |
| 8    | 1729588  | 1   | TRANSMISSION ASSEMBLY, K46                          |                                    |
| 8    | 1729589  | 1   | TRANSMISSION ASSEMBLY, K46HD                        | <i>(Used with 22" Tire Models)</i> |
| 9    | 1960586  | 4   | SCREW, Hex Head Flange Lock, 5/16-18 x 2-1/2        |                                    |
| 10   | 1960686  | 1   | NUT, Hex Flange, 5/16-18 ESNA                       |                                    |
| 11   | 1666697  | 1   | SPACER  |                                    |
| 12   | 1728008  | 1   | V-BELT, Drive Belt, Aramid/Kevlar                   |                                    |
| 13   | 1727258A | 1   | ARM, Control 7GA                                    |                                    |
| 14   | 1919326  | 1   | WASHER, Flat, 5/16                                  |                                    |
| 15   | 1921333  | 1   | CAPSCREW, Hex Head, 5/16-18 x 1                     |                                    |
| 16   | 1728043A | 1   | STRAP, Torque 7 GA                                  |                                    |
| 17   | 1919381  | 1   | WASHER, Plain, 5/16                                 |                                    |
| 18   | 1922127  | 1   | CAPSCREW, Hex Head, 5/16-18 x 1-3/4                 |                                    |

### Footnotes:

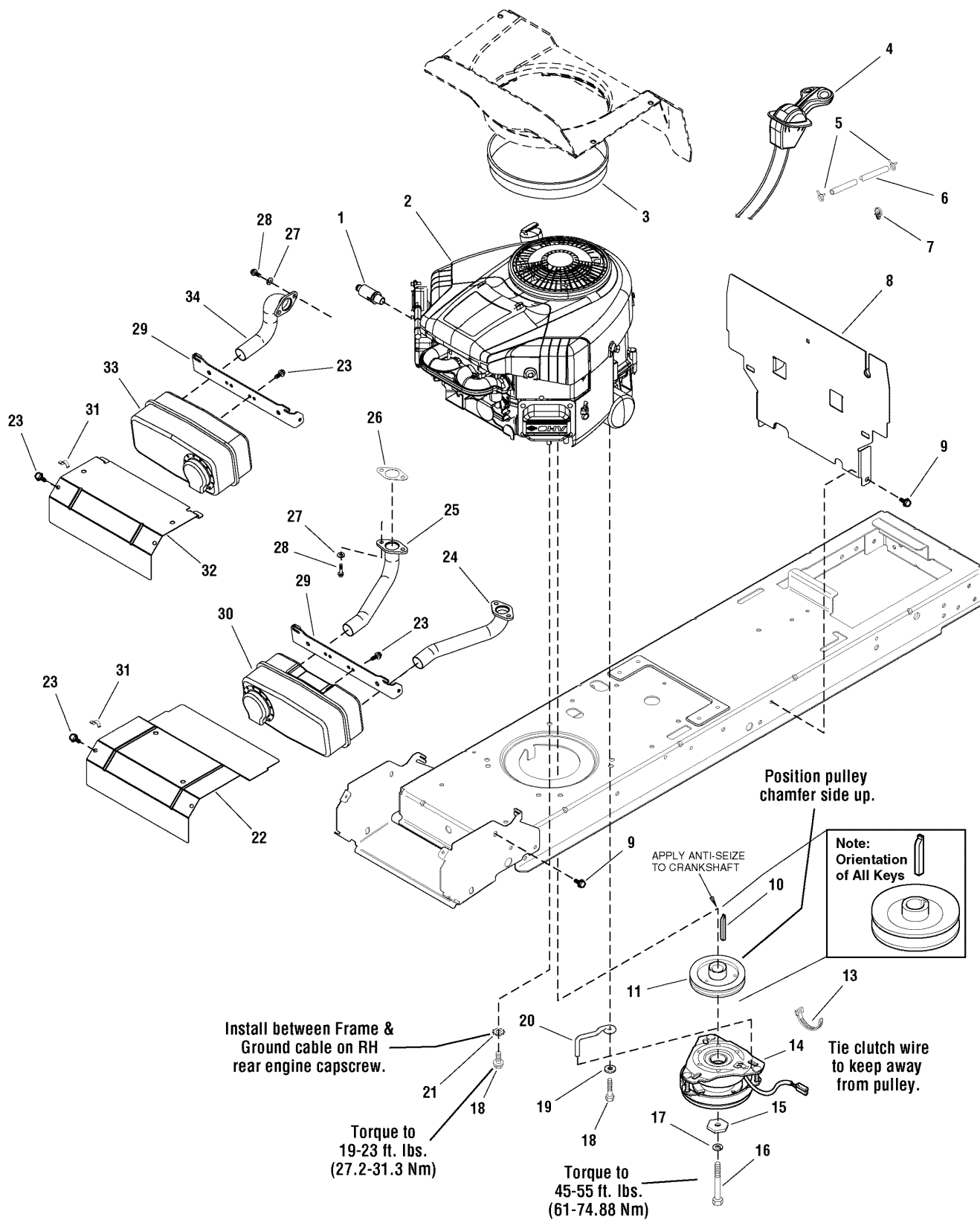


## Controls Group

| Item | Part No  | Qty | Description   | Note |
|------|----------|-----|---|------|
| 1    | 1727259  | 1   | PAD, Foot Pedal Reverse                             |      |
| 2    | 1960223  | 2   | CARRIAGE BOLT, 5/16-18 x 1-1/4                      |      |
| 3    | 1727935  | 2   | SPACER, Pivot 0.330ID 1.76OD .37TH Powdered Metal   |      |
| 4    | 1727246A | 1   | PEDAL, Reverse                                      |      |
| 5    | 1728024  | 1   | SPACER, Foot Pedal Powdered Metal                   |      |
| 6    | 1931277  | 6   | NUT, Hex, Flange Whizlock, 5/16-18                  |      |
| 7    | 1728025  | 1   | ACTUATOR, RMO Switch 20GA                           |      |
| 8    | 1727898  | 1   | ROD, Cruise Latch, 16.97LG                          |      |
| 9    | 1728111  | 2   | CLIP, Linkage, Black                                |      |
| 10   | 1727267  | 1   | ROD, Parking Brake, 16.38 LG Yellow                 |      |
| 11   | 1960268  | 2   | CARRIAGE BOLT, 3/8-16 x 1-1/4                       |      |
| 12   | 1727894A | 1   | BRACKET, Idler 7GA                                  |      |
| 13   | 1729620  | 1   | SPRING, Extension 07.52 LG Black                    |      |
| 14   | 1728001  | 1   | PULLEY, 3 OD Plastic                                |      |
| 15   | 1960687  | 2   | NUT, Hex Flange, 3/8-16 ESNA                        |      |
| 16   | 1931335  | 1   | CARRIAGE BOLT, 5/16-18 x 1                          |      |
| 17   | 1728000  | 1   | PULLEY, Idler                                       |      |
| 18   | 1721995  | 1   | SPRING, Extension                                   |      |
| 19   | 1918447  | 1   | PIN, Cotter 3/32 x 3/4                              |      |
| 20   | 1727253  | 1   | ROD, Brake, 15.1 LG                                 |      |
| 21   | 1731262  | 1   | SPRING, Extension 05.37 LG Black                    |      |
| 22   | 1727261  | 1   | PEDAL, Brake Rubber                                 |      |
| 23   | 1722460  | 1   | PIN, Quick  |      |
| 24   | 1727254  | 1   | ROD, Brake Return, 12.60 LG                         |      |
| 25   | 1727252A | 1   | PEDAL ASSEMBLY, Brake                               |      |
| 26   | 1727899  | 1   | ROD, Cruise Latch, 2.83 LG                          |      |
| 27   | 2159181  | 1   | SPRING, Tension, Clutch                             |      |
| 28   | 1727897  | 1   | LATCH, Cruise Powdered Metal                        |      |
| 29   | 1728976  | 1   | BOLT, Shoulder 5/16-18 G5                           |      |
| 30   | 1727269A | 1   | LATCH, Brake Lock 10GA                              |      |
| 31   | 1729576  | 1   | BOLT, Shoulder 5/16-18 G5                           |      |
| 32   | 1930601  | 3   | SCREW, Taptite, 5/16-18 x 5/8                       |      |
| 33   | 1727911A | 1   | PLATE, Bearing                                      |      |
| 34   | 1727909A | 1   | BRACKET, Pedal Pivot 10GA                           |      |
| 35   | 1930591  | 1   | CAPSCREW, Hex Head, Flange Whiz Lock, 5/16-18 x 3/4 |      |
| 36   | 1727250A | 1   | PEDAL ASSEMBLY, Forward                             |      |
| 37   | 1721675  | 1   | PAD, Foot Pedal Forward                             |      |

### Footnotes:

# Engine & Electric Clutch Group, 38" & 42"



## Engine & Electric Clutch Group, 38" & 42"

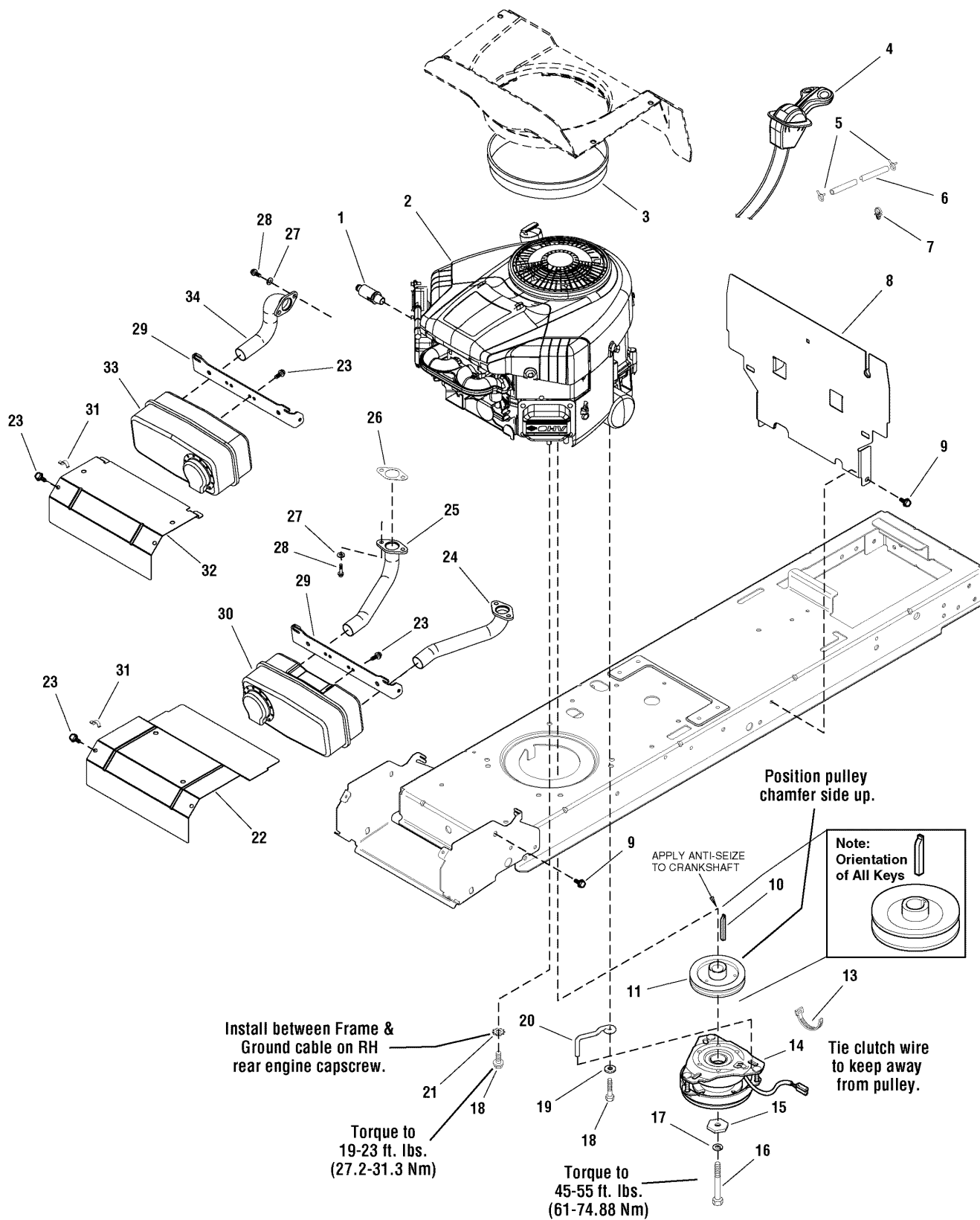
| Item | Part No  | Qty  | Description  | Note              |
|------|----------|------|--|-------------------|
| 1    | 1717473  | 1    | VALVE, Oil Drain   |                   |
| 2    | **       | 1    | ENGINE, 18HP B&S Intek 1 Cylinder - Model # 31P777-0121-B1 |                   |
| 2    | **       | 1    | ENGINE, 20HP B&S Intek Twin - Model # 406577-0143-B1       |                   |
| 3    | 1731970  | 1    | EDGING, Rubber, Short                                      | (B&S V-Twin)      |
| 3    | 1731971  | 1    | EDGING, Rubber, Long                                       | (B&S Single Only) |
| 4    | 1731410  | 1    | CONTROL, Throttle Double 20.5, 23.5 B&S Single             |                   |
| 4    | 1731411  | 1    | CONTROL, Throttle Double 34.7, 36 B&S Twin                 |                   |
| 5    | 2860112  | 2    | CLAMP, Hose Type E   |                   |
| 6    | 1676861  | 1    | HOSE, Fuel, 45-1/2" Long                                   | (B&S V-Twin)      |
| 6    | 1732001  | 1    | HOSE, Fuel 55" Long  | (B&S Single Only) |
| 7    | 1730268  | 2    | CLIP, Hose, Plastic, Push-In                               |                   |
| 8    | 1728058A | 1    | SHIELD, Heat   |                   |
| 9    | 1930601  | 4    | SCREW, Taptite, 5/16-18 x 5/8                              |                   |
| 10   | 1720463  | 1    | KEY, Hi-Pro, 1/4 x 2-1/2                                   |                   |
| 11   | 1723497  | 1    | PULLEY   |                   |
| 13   | 2825094  | 1    | TIE, Self Locking 7-5/16                                   |                   |
| 14   | 1718836  | 1    | CLUTCH ASSEMBLY, Long OGURA                                |                   |
| 15   | 1708264  | 1    | WASHER   |                   |
| 16   | 1960649  | 1    | CAPSCREW, 7/16-20 x 3-1/2, Hex Head                        |                   |
| 17   | 1918199  | 1    | LOCKWASHER, 7/16   |                   |
| 18   | 2828635  | 4(1) | SCREW, Hex, Washer Head, Taptite, 3/8-16 x 1-1/4           |                   |
| 18   | 2827187  | 3    | CAPSCREW, Hex Head, Taptite, 3/8-16 x 1-1/2                | (B&S Single Only) |
| 19   | 1924940  | 1    | WASHER, 3/8  |                   |
| 20   | 1732026  | 1    | RETAINER, Clutch, Yellow                                   |                   |
| 21   | 2820427  | 1    | LOCKWASHER, External Tooth, 3/8                            |                   |
| 22   | 1727997A | 1    | SHIELD, Heat B&S Twin 20GA                                 |                   |
| 23   | 1925003  | 4    | SCREW, Taptite, 1/4-20 x 1/2                               |                   |
| 24   | 1727980  | 1    | PIPE, Exhaust w/Flange LH B&S INT                          |                   |
| 25   | 1727979  | 1    | PIPE, Exhaust w/Flange RH B&S INT                          |                   |
| 26   | 1731214  | 2(1) | GASKET, Exhaust B&S  |                   |
| 27   | 1917356  | 4(2) | LOCKWASHER, 5/16   |                   |
| 28   | 1936228  | 4(2) | CAPSCREW, Socket Head, 5/16-18 x 3/4                       |                   |
| 29   | 1727976A | 1    | BRACKET, Muffler Mount 12GA                                |                   |
| 30   | 1727994  | 1    | MUFFLER, B&S Twin  |                   |
| 31   | 2834683  | 1    | CLIP, Wire   |                   |
| 32   | 1727996A | 1    | SHIELD, Heat Single Cycle 20GA                             |                   |
| 33   | 1727993  | 1    | MUFFLER, B&S Single  |                   |

### Footnotes:

Note\*\* See your local Briggs & Stratton distributor for parts and service.

Note\*\* See your local Briggs & Stratton distributor for parts and service.

# Engine & Electric Clutch Group, 38" & 42"





## **Engine & Electric Clutch Group, 38" & 42"**

---

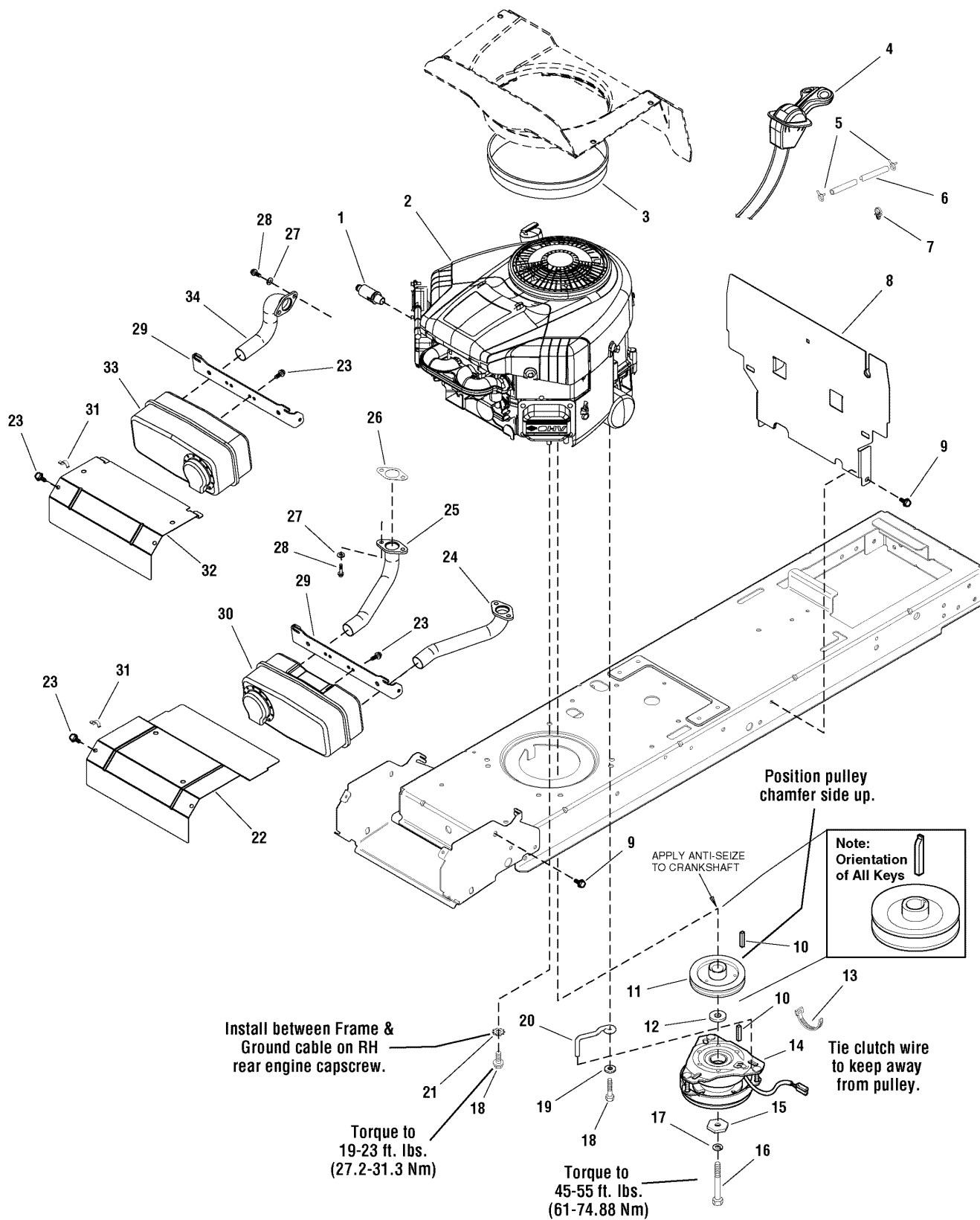
| <b>Item</b> | <b>Part No</b> | <b>Qty</b> | <b>Description</b>                 | <b>Note</b> |
|-------------|----------------|------------|------------------------------------|-------------|
| 34          | 1728959        | 1          | PIPE, Exhaust w/Flange B&S 1 Cycle |             |

### **Footnotes:**

Note\*\* See your local Briggs & Stratton distributor for parts and service.

Note\*\* See your local Briggs & Stratton distributor for parts and service.

# Engine & Electric Clutch Group, 44" & 50"



## Engine & Electric Clutch Group, 44" & 50"

| Item | Part No  | Qty  | Description  | Note                         |
|------|----------|------|--|------------------------------|
| 1    | 1717473  | 1    | VALVE, Oil Drain   |                              |
| 2    | *        | 1    | ENGINE, 18HP Kohler Single Courage Pro - Model # SV540S-18 Spec #PS-SV540-0017 |                              |
| 2    | **       | 1    | ENGINE, 20HP B&S Intek Twin - Model # 406577-0143-B1                           |                              |
| 2    | **       | 1    | ENGINE, 22HP B&S Intek Twin - Model # 445677-0421-B1                           |                              |
| 2    | **       | 1    | ENGINE, 24HP B&S Intek Twin - Model # 441777-0117-B1                           |                              |
| 3    | 1731970  | 1    | EDGING, Rubber, Short  | (B&S V-Twin & Kohler Single) |
| 4    | 1731409  | 1    | CONTROL, Throttle Double 19" Long  | (Kohler Single)              |
| 4    | 1731411  | 1    | CONTROL, Throttle Double 34.7" Long  | (B&S Twin)                   |
| 5    | 2860112  | 2    | CLAMP, Hose Type E   |                              |
| 6    | 1676861  | 1    | HOSE, Fuel, 45-1/2" Long   | (B&S V-Twin & Kohler Single) |
| 6    | 1732001  | 1    | HOSE, Fuel 55" Long  | (B&S Single Only)            |
| 7    | 1730268  | 2    | CLIP, Hose, Plastic, Push-In   |                              |
| 8    | 1728058A | 1    | SHIELD, Heat   |                              |
| 9    | 1930601  | 4    | SCREW, Taptite, 5/16-18 x 5/8  |                              |
| 10   | 2154096  | 2    | KEY, Square, 1/4 x 1/4 x 29/32 Hard  |                              |
| 11   | 1723497  | 1    | PULLEY   |                              |
| 12   | 1732208  | 1    | SPACER, 1.01 ID x 1.68 OD x 3/8 LG Powdered Metal Yellow                       |                              |
| 13   | 2825094  | 1    | TIE, Self Locking 7-5/16   |                              |
| 14   | 1731275  | 1    | CLUTCH ASSEMBLY, Mid-Range OGURA   |                              |
| 15   | 1708264  | 1    | WASHER   |                              |
| 16   | 2860631  | 1    | CAPSCREW, 7/16-20 x 3  |                              |
| 17   | 1918199  | 1    | LOCKWASHER, 7/16   |                              |
| 18   | 2828635  | 4(1) | SCREW, Hex, Washer Head, Taptite, 3/8-16 x 1-1/4                               |                              |
| 19   | 1924940  | 1    | WASHER, 3/8  |                              |
| 20   | 1732199  | 1    | RETAINER, Clutch, Black  |                              |
| 21   | 2820427  | 1    | LOCKWASHER, External Tooth, 3/8  |                              |
| 22   | 1727997A | 1    | SHIELD, Heat B&S Twin 20GA   |                              |
| 23   | 1925003  | 4    | SCREW, Taptite, 1/4-20 x 1/2   |                              |
| 24   | 1727980  | 1    | PIPE, Exhaust w/Flange LH B&S INT  |                              |
| 25   | 1727979  | 1    | PIPE, Exhaust w/Flange RH B&S INT  |                              |
| 26   | 1731214  | 2(1) | GASKET, Exhaust B&S  |                              |
| 27   | 1917356  | 4(2) | LOCKWASHER, 5/16   |                              |
| 28   | 1936228  | 4(2) | CAPSCREW, Socket Head, 5/16-18 x 3/4   |                              |
| 29   | 1727976A | 1    | BRACKET, Muffler Mount 12GA  |                              |
| 30   | 1727994  | 1    | MUFFLER, B&S Twin  |                              |
| 31   | 2834683  | 1    | CLIP, Wire   |                              |
| 32   | 1727996A | 1    | SHIELD, Heat Single Cycle 20GA   |                              |

### Footnotes:

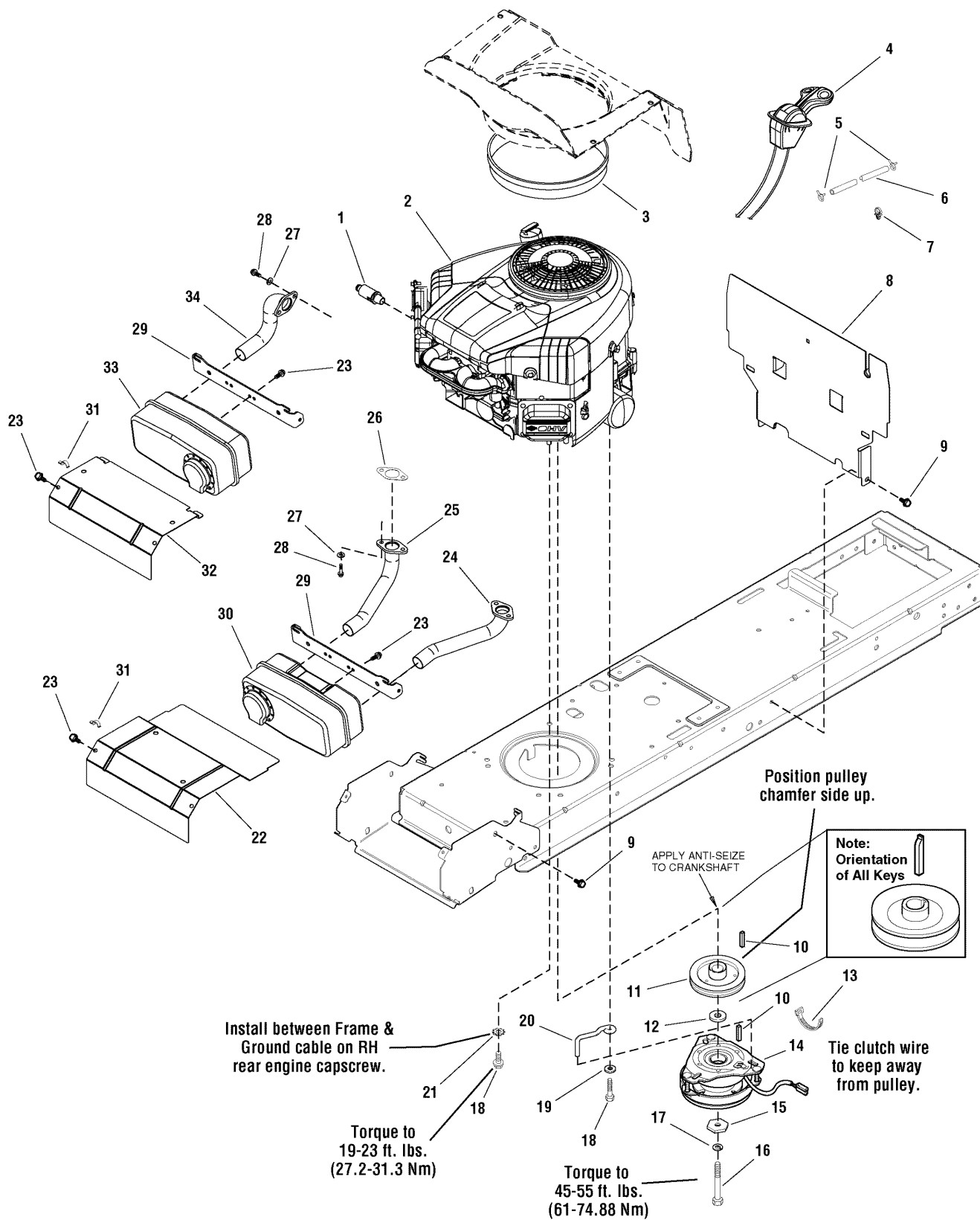
Note\* See your local Kohler distributor for parts & service.

Note\*\* See your local Briggs & Stratton distributor for parts and service.

Note\*\* See your local Briggs & Stratton distributor for parts and service.

Note\*\* See your local Briggs & Stratton distributor for parts and service.

# Engine & Electric Clutch Group, 44" & 50"



## **Engine & Electric Clutch Group, 44" & 50"**

---

| <b>Item</b> | <b>Part No</b> | <b>Qty</b> | <b>Description</b>            | <b>Note</b> |
|-------------|----------------|------------|-------------------------------|-------------|
| 33          | 1727993        | 1          | MUFFLER, B&S Single           |             |
| 34          | 1727978        | 1          | PIPE, Exhaust w/Flange Kohler |             |

### **Footnotes:**

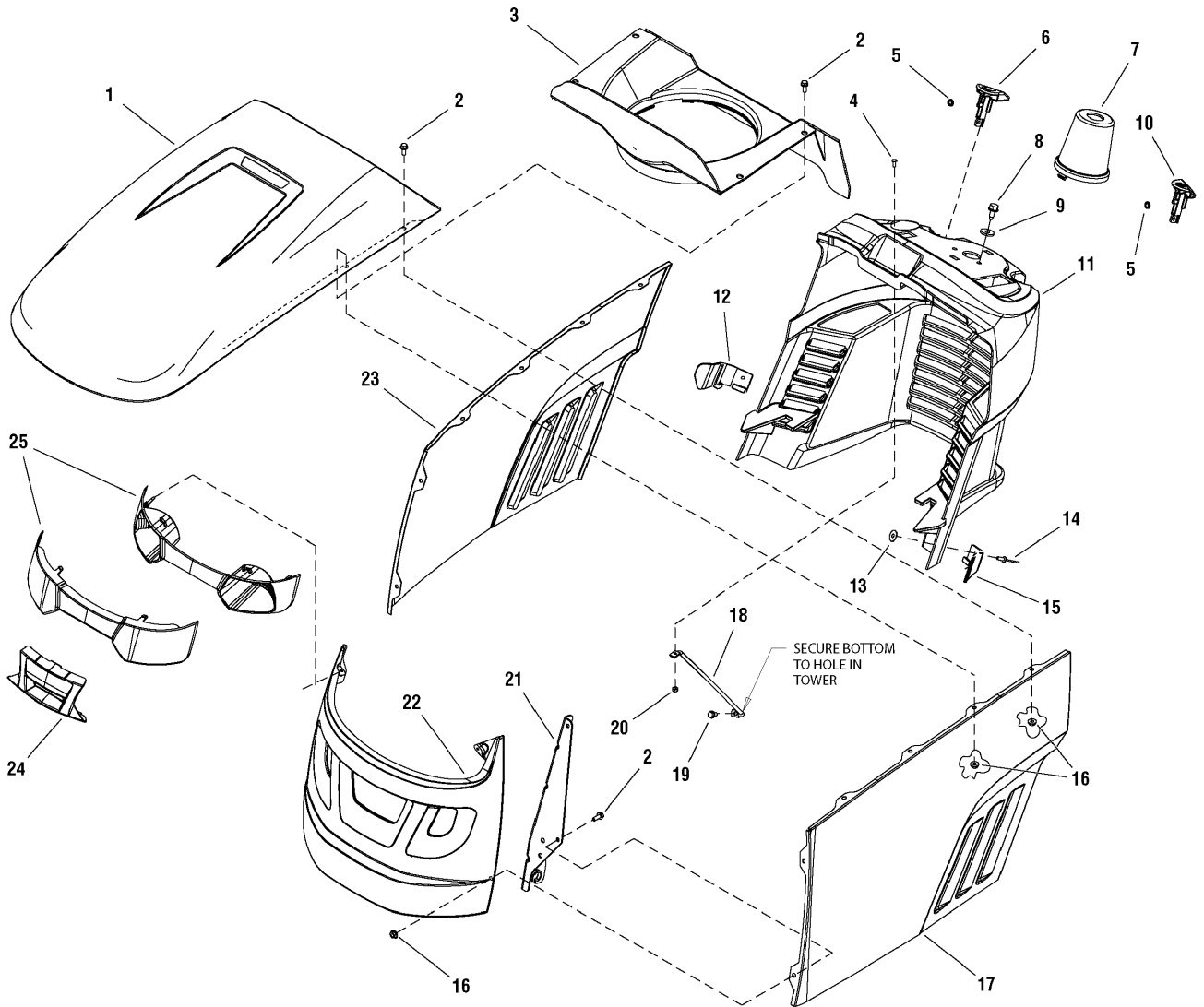
Note\* See your local Kohler distributor for parts & service.

Note\*\* See your local Briggs & Stratton distributor for parts and service.

Note\*\* See your local Briggs & Stratton distributor for parts and service.

Note\*\* See your local Briggs & Stratton distributor for parts and service.

# Hood, Grille & Dash Group

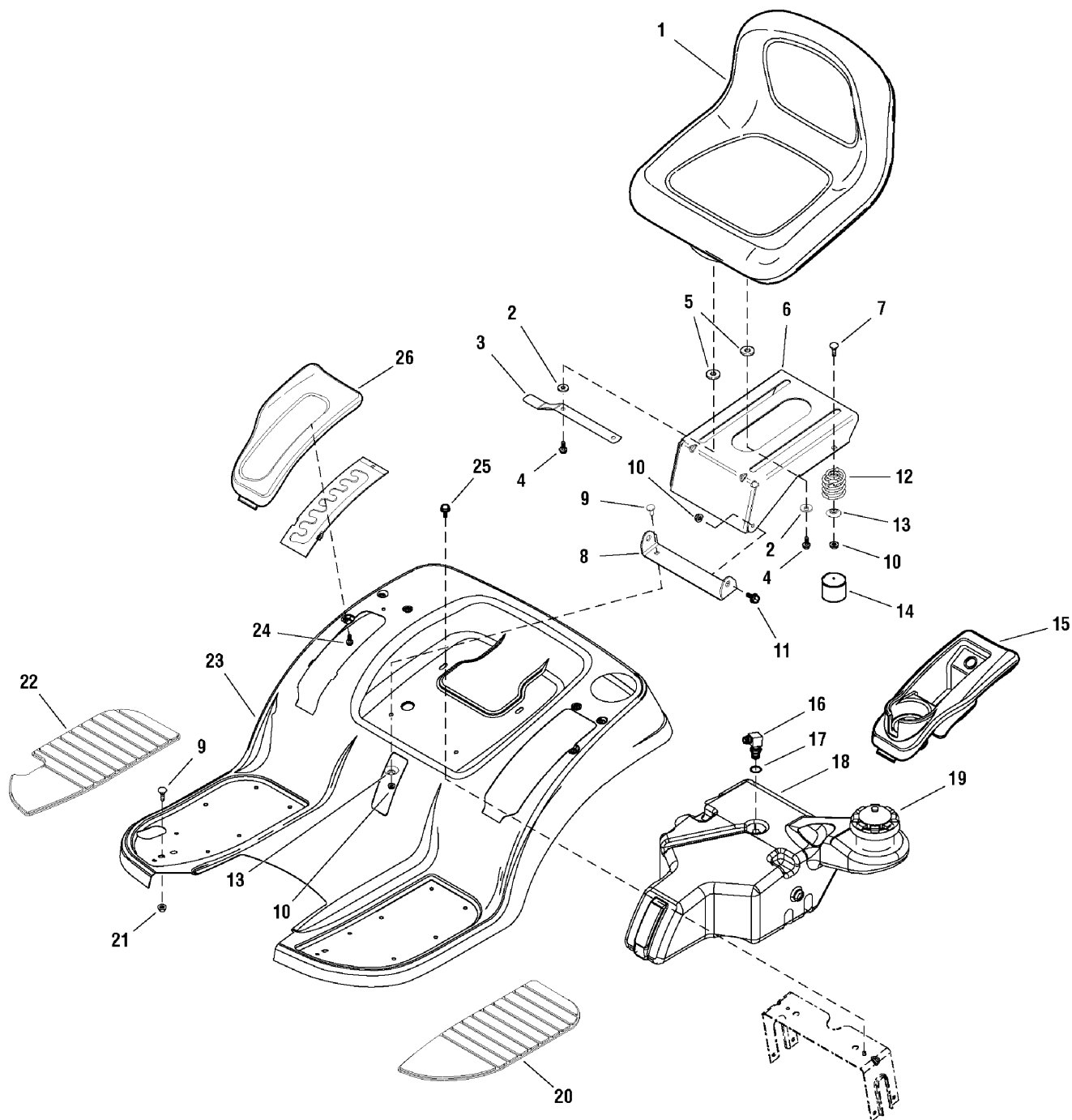


## Hood, Grille & Dash Group

---

| Item | Part No  | Qty | Description                                | Note |
|------|----------|-----|--|------|
| 1    | 1728031D | 1   | HOOD, W/Scoop                              |      |
| 2    | 1960295  | 12  | CAPSCREW, Whizlock, 1/4-20 x 5/8           |      |
| 3    | 1731891  | 1   | DUCT, Air Inlet Plastic                    |      |
| 4    | 1960392  | 1   | SCREW, Pan Head #10-24 x 1/2               |      |
| 5    | 1960674  | 2   | PUSH NUT                                   |      |
| 6    | 1728090  | 1   | KNOB, Cruise Lock Green Plastic            |      |
| 7    | 1727999  | 1   | COVER, Steering Shaft Plastic              |      |
| 8    | 1664847  | 2   | CAPSCREW, Hex Head, Taptite, 5/16-18 x 3/4 |      |
| 9    | 1919381  | 2   | WASHER, Plain, 5/16                        |      |
| 10   | 1728089  | 1   | KNOB, Brake Lock Plastic                   |      |
| 11   | 1727293  | 1   | DASHBOARD                                  |      |
| 12   | 1732031  | 1   | GUIDE, Hood RH                             |      |
| 13   | 1960096  | 2   | WASHER                                     |      |
| 14   | 1928707  | 2   | RIVET, Pop, Stem Black                     |      |
| 15   | 1732030  | 1   | GUIDE, Hood LH                             |      |
| 16   | 1930641  | 12  | NUT, Hex Flange Whiz, 1/4-20               |      |
| 17   | 1727295D | 1   | PANEL, Hood LH Side                        |      |
| 18   | 1723123  | 1   | ROD, Dash Support                          |      |
| 19   | 1925003  | 1   | SCREW, Taptite, 1/4-20 x 1/2               |      |
| 20   | 1933896  | 1   | NUT, Hex, Nylon, Lock, #10-24              |      |
| 21   | 1727279A | 1   | HINGE, Hood LH                             |      |
| 21   | 1727280A | 1   | HINGE, Hood RH                             |      |
| 22   | 1728059D | 1   | GRILLE                                     |      |
| 23   | 1727294D | 1   | PANEL, Hood RH Side                        |      |
| 24   | 1728975  | 1   | INSERT, Lightbar                           |      |
| 25   | 1727296  | 1   | HEADLIGHT ASSEMBLY                         |      |

### Footnotes:



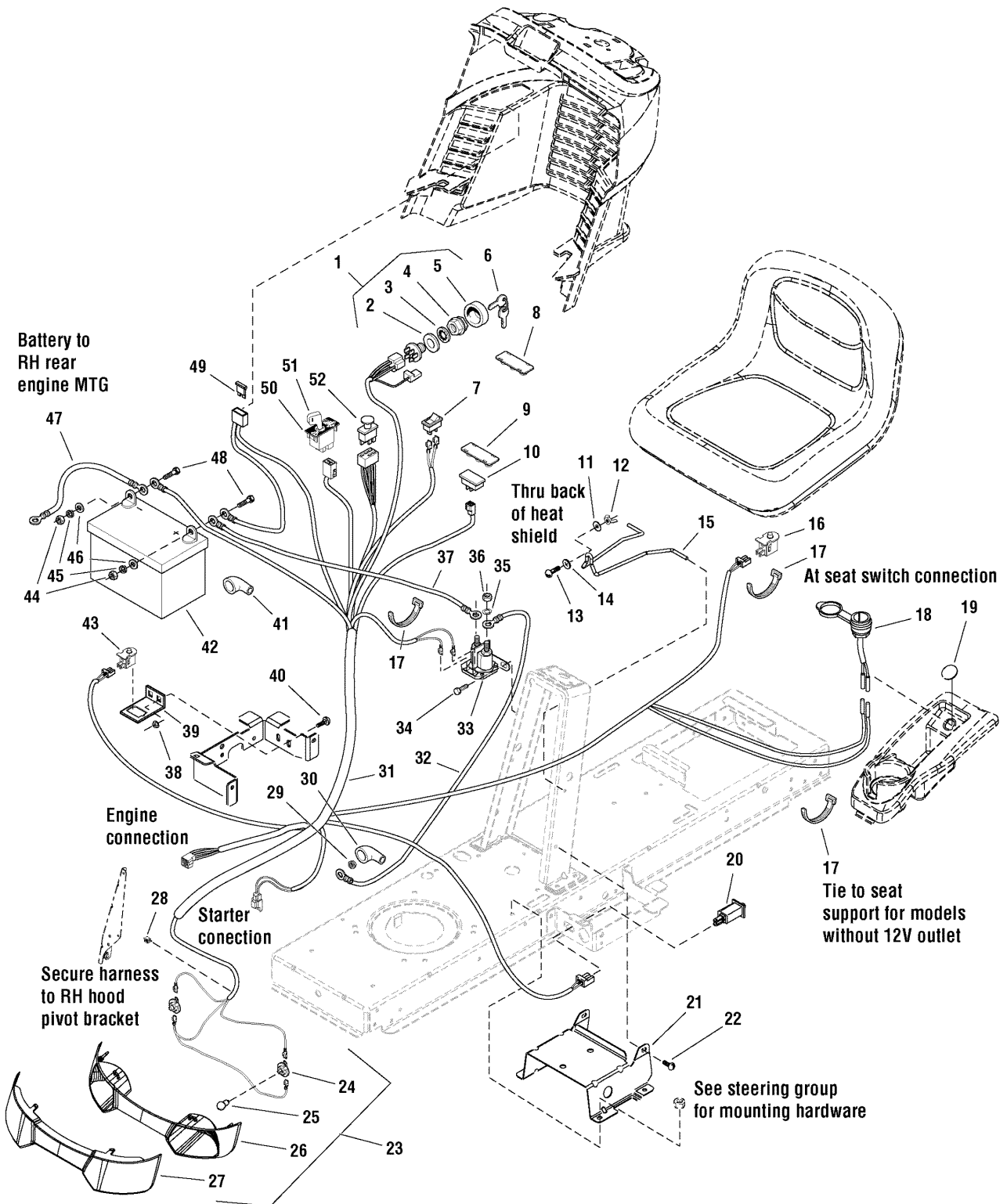


## Seat Deck & Fuel Tank Group

---

| Item | Part No  | Qty | Description   | Note |
|------|----------|-----|---|------|
| 1    | 1730158  | 1   | SEAT, Low Back, Steel Pan                                   |      |
| 1    | 1730159  | 1   | SEAT, Hi Back, Steel Pan                                    |      |
| 2    | 1919381  | 4   | WASHER, Plain, 5/16   |      |
| 3    | 1727268  | 1   | LATCH, Seat 20GA E-Coat                                     |      |
| 4    | 1960667  | 4   | CAPSCREW, Hex Head Flange Dog Point, 5/16-18 x 1            |      |
| 5    | 1731300  | 4   | SPACER, 0.32 ID x 1-1/2 OD x 3/10 THK Powdered Metal Yellow |      |
| 6    | 1727265A | 1   | SUPPORT, Seat 12GA  |      |
| 7    | 1960282  | 2   | CARRIAGE BOLT, 5/16-18 x 3/4                                |      |
| 8    | 1727266A | 1   | PIVOT, Seat 10GA  |      |
| 9    | 1931333  | 4   | BOLT, Carriage, 5/16-18 x 3/4                               |      |
| 10   | 1960686  | 4   | NUT, Hex Flange, 5/16-18 ESNA                               |      |
| 11   | 1729576  | 2   | BOLT, Shoulder 5/16-18 G5                                   |      |
| 12   | 1704728  | 2   | SPRING, Compression   |      |
| 13   | 1709256  | 4   | WASHER, Spring Black  |      |
| 14   | 1704724  | 2   | COVER, Spring   |      |
| 15   | 1729001  | 1   | POD, LH Cup Holder  |      |
| 16   | 1674231  | 1   | ELBOW FITTING   |      |
| 17   | 1654930  | 1   | BUSHING   |      |
| 18   | 1727305  | 1   | TANK, Fuel  |      |
| 19   | 1715917  | 1   | CAP, Gas  |      |
| 20   | 1728006  | 1   | PAD, Footrest LH  |      |
| 21   | 1931277  | 4   | NUT, Hex, Flange Whizlock, 5/16-18                          |      |
| 22   | 1728007  | 1   | PAD, Footrest RH  |      |
| 23   | 1727264D | 1   | DECK, Seat w/Footrests (Red)                                |      |
| 24   | 1960536  | 6   | SCREW, Hex, Washer Head, Plastite, 1/4-20 x 1/2             |      |
| 25   | 1930601  | 2   | SCREW, Taptite, 5/16-18 x 5/8                               |      |
| 26   | 1729000  | 1   | POD, RH Lift Quadrant                                       |      |

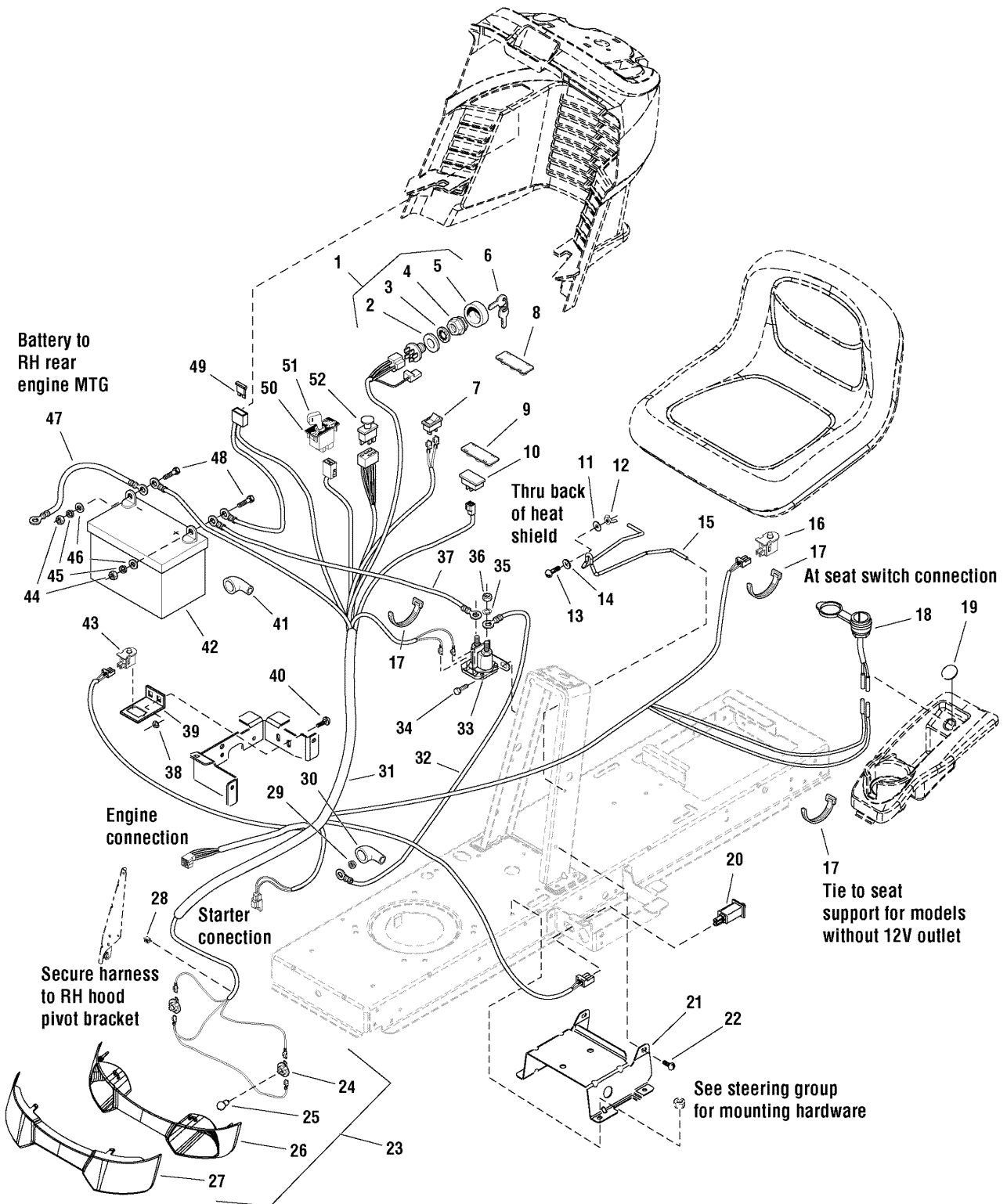
### Footnotes:



## Electrical Group

| Item | Part No  | Qty | Description   | Note                    |
|------|----------|-----|---|-------------------------|
| 1    | 1716061  | 1   | SWITCH ASSEMBLY, Ignition, 6-Pole (Includes Ref. 2, 3, 4 & 5) |                         |
| 2    | 2101025  | 1   | WASHER, 5/8   |                         |
| 3    | 1960547  | 1   | LOCKWASHER, Internal Tooth, 5/8                               |                         |
| 4    | 1717549  | 1   | NUT, Hex, Flange, 5/8-32                                      |                         |
| 5    | 1717550  | 1   | COVER, Ignition   |                         |
| 6    | 1717163  | 1   | IGNITION KEY (Set of 2)                                       |                         |
| 7    | 1716951  | 1   | SWITCH, Headlights, 2 Terminal                                |                         |
| 8    | 1722611  | 1   | PLUG, Hole, Square  |                         |
| 9    | 1729993  | 1   | PLUG, Hour Meter  | (Kohler and B&S Single) |
| 10   | 1728068  | 1   | METER, Hour, LCD  | (B&S V-Twin Only)       |
| 11   | 1960353  | 1   | WASHER, Plain, 1/4 (6 Total for Export)                       |                         |
| 12   | 2860293  | 1   | NUT, Wing, 1/4-20   |                         |
| 13   | 1931318  | 1   | CARRIAGE BOLT, 1/4-20 x 7/8                                   |                         |
| 14   | 1960518  | 1   | NUT, Push On  |                         |
| 15   | 1730007  | 1   | HOLD DOWN, Battery  |                         |
| 16   | 1732005  | 1   | SWITCH, Push Button (NC)                                      |                         |
| 17   | 2825094  | 3   | TIE, Self Locking 7-5/16                                      |                         |
| 18   | 7073090  | 1   | OUTLET, 12 Volt DC Power                                      |                         |
| 19   | 1732007  | 1   | PLUG, Hole Models W/O 12V Adapter                             |                         |
| 20   | 1732006  | 1   | SWITCH, Push Button (NO/NC)                                   |                         |
| 21   | 1727282A | 1   | SUPPORT, Battery 12 GA  |                         |
| 22   | 1930601  | 4   | SCREW, Taptite, 5/16-18 x 5/8                                 |                         |
| 23   | 1727296  | 1   | HEADLIGHT ASSEMBLY (Includes Ref. 24, 25, 26 & 27)            |                         |
| 24   | 1723451  | 2   | SOCKET ASSEMBLY   |                         |
| 25   | 1677371  | 2   | BULB, 1141-12V 21CP   |                         |
| 26   | 1728973  | 1   | REFLECTOR, Headlight  |                         |
| 27   | 1728974  | 1   | LENS, Headlight   |                         |
| 28   | 2834683  | 1   | CLIP, Speed Wire  |                         |
| 29   | 1960294  | 1   | NUT, Hex, Flange, 1/4-20                                      |                         |
| 30   | 1713535  | 1   | COVER, Terminal   |                         |
| 31   | 1728097  | 1   | HARNESS, Wiring   |                         |
| 32   | 1721830  | 1   | CABLE, Solenoid to Starter                                    |                         |
| 33   | 1728963  | 1   | SOLENOID  |                         |
| 34   | 1925003  | 2   | SCREW, Taptite, 1/4-20 x 1/2                                  |                         |
| 35   | 2820426  | 2   | LOCKWASHER, External Tooth, 5/16                              |                         |
| 36   | 2820263  | 2   | NUT, Hex, 5/16-24 NF  |                         |

### Footnotes:

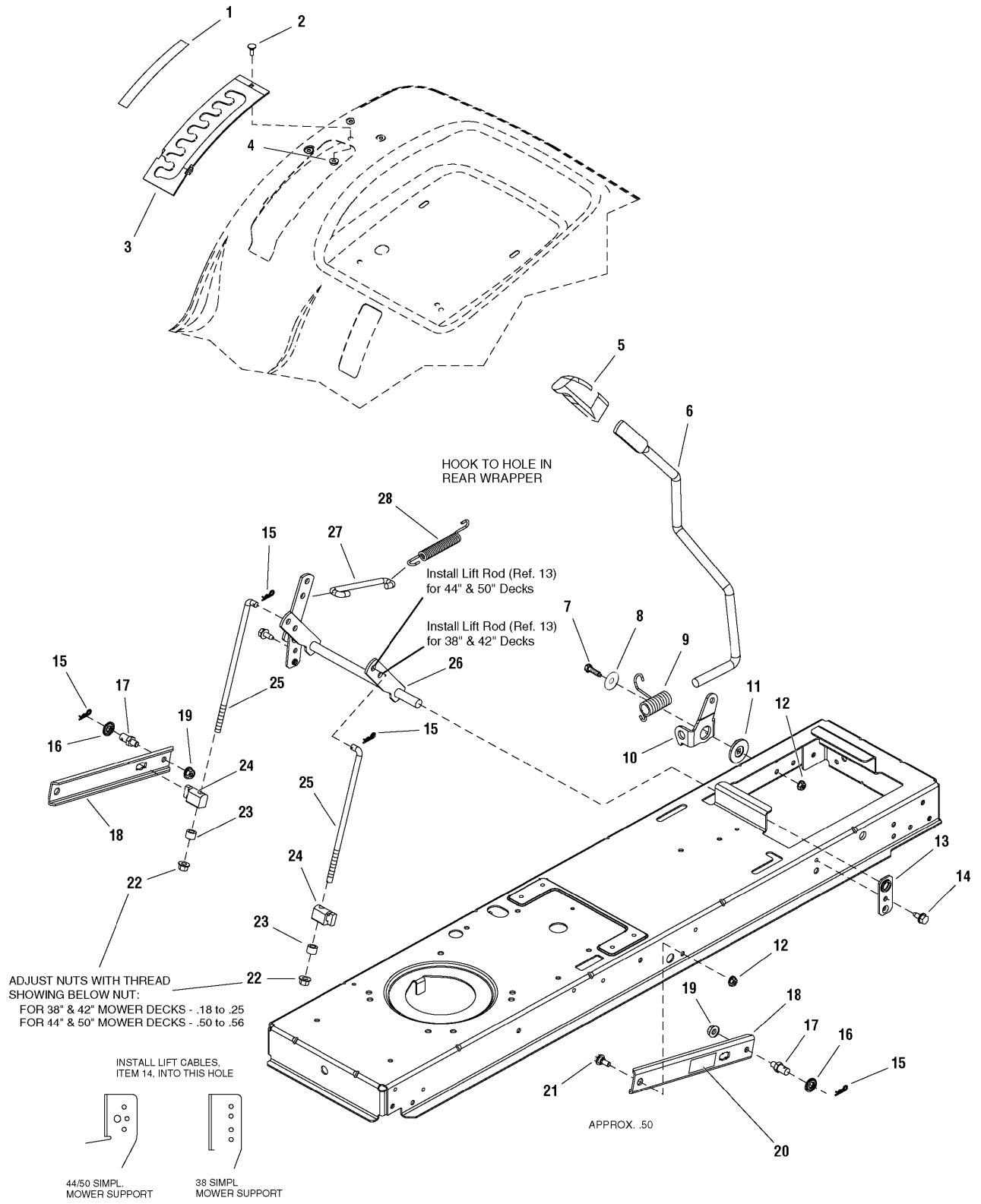


## **Electrical Group**

---

| <b>Item</b> | <b>Part No</b> | <b>Qty</b> | <b>Description</b>  | <b>Note</b> |
|-------------|----------------|------------|---|-------------|
| 37          | 1716549        | 1          | CABLE, #6 x 10 Long, with 2 Ring Terminals, Battery to Solenoid |             |
| 38          | 1931277        | 2          | NUT, Hex, Flange Whizlock, 5/16-18                              |             |
| 39          | 1728026A       | 1          | SUPPORT, RMO Switch   |             |
| 40          | 1931333        | 2          | CARRIAGE BOLT, 5/16-18 x 3/4                                    |             |
| 41          | 1677296        | 1          | BOOT, Insulator   |             |
| 42          | 1722841        | 1          | BATTERY   |             |
| 43          | 1732004        | 1          | SWITCH, Push Button (NO), Reverse Pedal                         |             |
| 44          | 2816622        | 2          | NUT, Hex, Full, 1/4-20  |             |
| 45          | 2816964        | 2          | LOCKWASHER, 1/4   |             |
| 46          | 2821319        | 2          | WASHER, 1/4 I.D.  |             |
| 47          | 1713163        | 1          | CABLE, Battery to Ground  |             |
| 48          | 2823341        | 2          | CAPSCREW, Hex Head, 1/4-20 x 3/4                                |             |
| 49          | 1731957        | 1          | FUSE, Wiring Harness  |             |
| 50          | 1726556        | 1          | NO-MOW MODULE   |             |
| 51          | 1727185        | 1          | KEY, w/Hang Tag for RMO Module                                  |             |
| 52          | 1722887        | 1          | SWITCH, PTO, Push/Pull Symbols                                  |             |

### **Footnotes:**

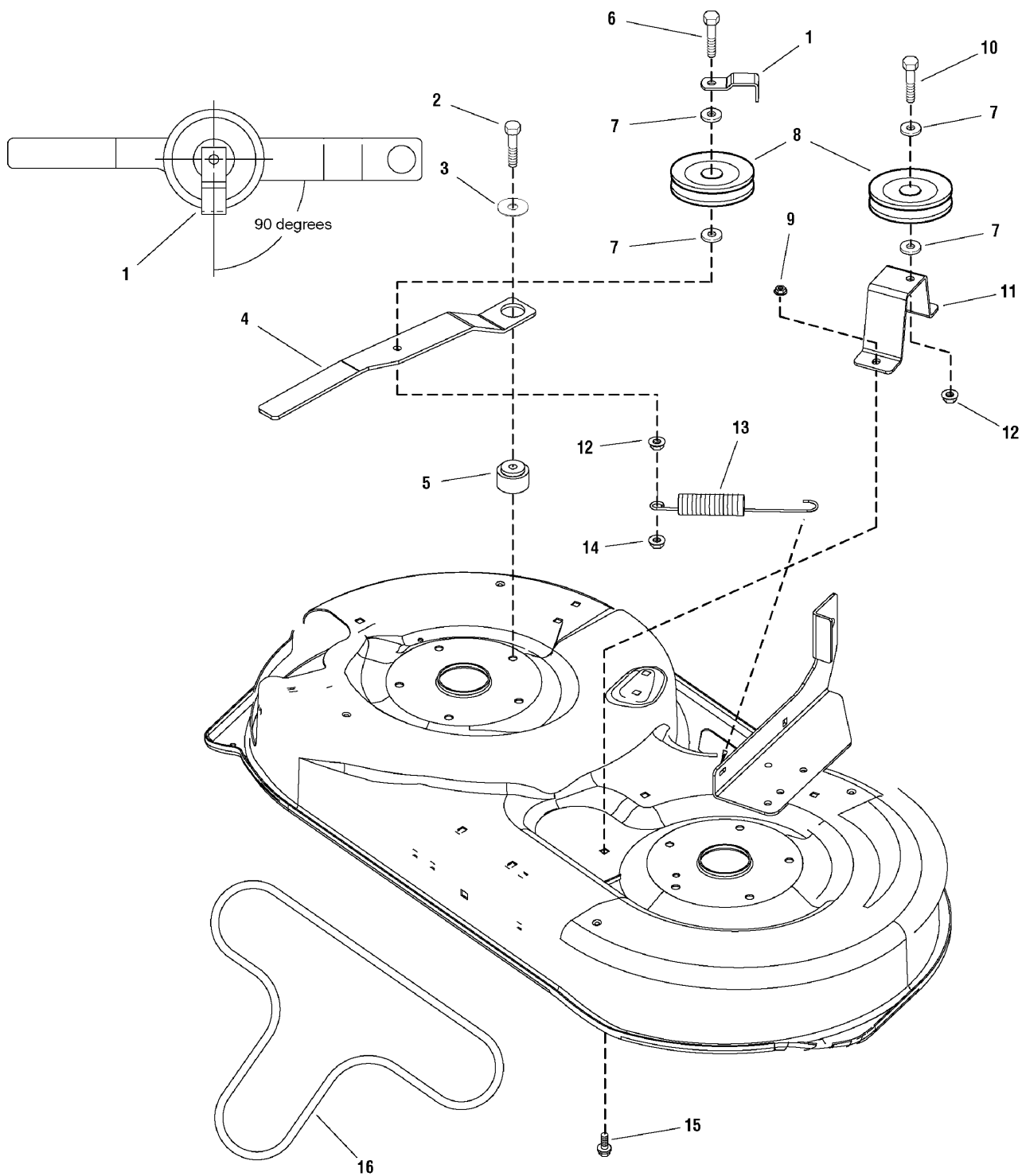


## Lift Group - Manual

| Item | Part No  | Qty | Description                                       | Note                                       |
|------|----------|-----|---|--|
| 1    | 1730264  | 1   | DECAL, Height Of Cut                              |  |
| 2    | 1960252  | 1   | CARRIAGE BOLT, 1/4-20 x 5/8 G5                    |  |
| 3    | 1727985A | 1   | QUADRANT, Lift Height 12GA                        |  |
| 4    | 1930641  | 1   | NUT, Hex Flange Whiz, 1/4-20                      |  |
| 5    | 1722302  | 1   | GRIP  |  |
| 6    | 1728070  | 1   | ROD, Lift Handle E-Coat, 17.7 LG                  |  |
| 7    | 1921333  | 1   | CAPSCREW, Hex Head, 5/16-18 x 1                   |  |
| 8    | 1960044  | 1   | WASHER, Plain, 21/64 x 1-1/4                      |  |
| 9    | 1729652  | 1   | SPRING, Torsion, 2.12 LG Black                    |  |
| 10   | 1728990A | 1   | CLEVIS, Lift 7GA                                  |  |
| 11   | 1727935  | 1   | SPACER, Pivot 0.330ID 1.76OD .37TH Powdered Metal |  |
| 12   | 1931277  | 3   | NUT, Hex, Flange Whizlock, 5/16-18                |  |
| 13   | 1727911A | 1   | PLATE, Bearing                                    |  |
| 14   | 1930601  | 2   | SCREW, Taptite, 5/16-18 x 5/8                     |  |
| 15   | 1960074  | 4   | CLIP, Spring                                      |  |
| 16   | 1960170  | 2   | WASHER, 1/2                                       |  |
| 17   | 2721135  | 2   | PIN, Threaded Shoulder                            |  |
| 18   | 1731417A | 2   | ARM, Lift Rear 10GA                               |  |
| 19   | 1928352  | 2   | NUT, Hex, Flange, Whizlock, 5/16-18 x 1/2         |  |
| 20   | 1732070  | 2   | DECAL, CAUTION! Pinch Point                       |  |
| 21   | 2720107  | 2   | BOLT, Shoulder                                    |  |
| 22   | 1960687  | 2   | NUT, Hex Flange, 3/8-16 ESNA                      |  |
| 23   | 1656397  | 2   | SPACER  | <i>(Used on 38" &amp; 42" Mower Decks)</i> |
| 23   | 1666294  | 2   | SPACER  | <i>(Used on 44" &amp; 50" Mower Decks)</i> |
| 24   | 1731894  | 2   | TRUNNION, Powdered Metal                          |  |
| 25   | 1727955  | 2   | ROD, Lower Life, 10.00 LG                         |  |
| 26   | 1727951A | 1   | SHAFT ASSEMBLY, Lift                              |  |
| 27   | 1727954  | 1   | ROD, Lift, 5.43 LG                                |  |
| 28   | 1731939  | 1   | SPRING, Extension 5.10 LG Black                   | <i>(Used on 44" &amp; 50" Mower Decks)</i> |

### Footnotes:

# 38" & 42" Mower Deck - Belt, Idler Arm & Hitch Group





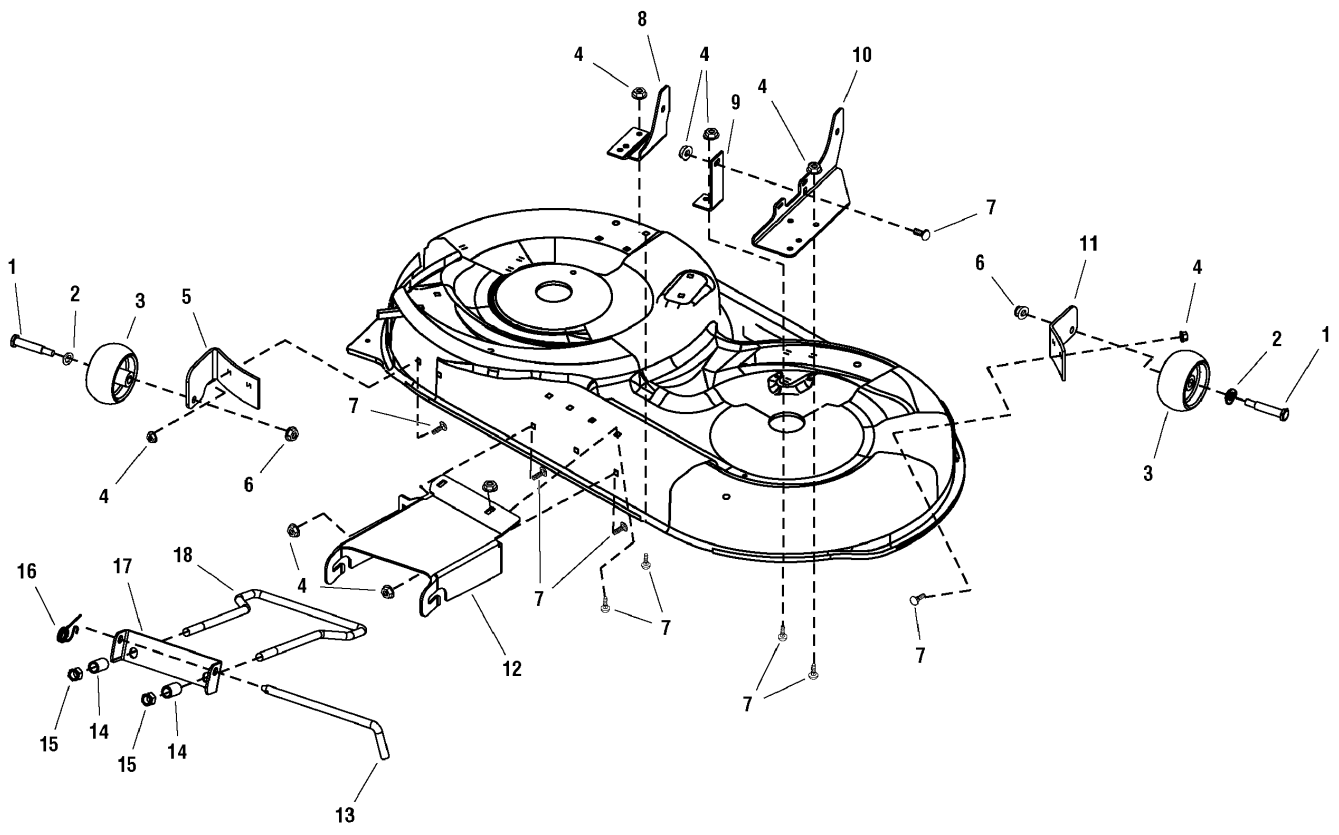
## 38" & 42" Mower Deck - Belt, Idler Arm & Hitch Group

---

| Item | Part No  | Qty | Description  | Note |
|------|----------|-----|--|------|
| 1    | 1677135A | 1   | GUARD, Spring  |      |
| 2    | 2860361  | 1   | CAPSCREW, Hex Washer Head, Taptite, 3/8-16 x 2       |      |
| 3    | 1924356  | 1   | WASHER, Plain, 13/32 x 1-1/2 x 1/8                   |      |
| 4    | 1731944A | 1   | ARM  |      |
| 5    | 1729007  | 1   | SPACER, 0.387 ID x 1-1/2 OD x 1.04 LG Powdered Metal |      |
| 6    | 1922130  | 1   | CAPSCREW, Hex Head, 3/8-16 x 2-1/4                   |      |
| 7    | 1922755  | 4   | WASHER, 3/8  |      |
| 8    | 7018574  | 2   | IDLER, Flat  |      |
| 9    | 1931277  | 2   | NUT, Hex, Flange Whizlock, 5/16-18                   |      |
| 10   | 1921971  | 1   | CAPSCREW, Hex Head, 3/8-16 X 1-3/4                   |      |
| 11   | 1731911A | 1   | SUPPORT, Idler                                       |      |
| 12   | 1931211  | 2   | NUT, Whizlock, 3/8-16                                |      |
| 13   | 1731311  | 1   | SPRING, Extension 07.75 LG Black                     |      |
| 14   | 1960339  | 1   | NUT, 3/8-16, Hex Flange MAC Locking Large, Black     |      |
| 15   | 1931333  | 2   | BOLT, Carriage, 5/16-18 x 3/4                        |      |
| 16   | 1732204  | 1   | V-BELT, 91.10 LG Kevlar (38" Decks)                  |      |
| 16   | 1732205  | 1   | V-BELT, 94.45 LG Kevlar (42" Decks)                  |      |

### Footnotes:

# 38" & 42" Mower Deck - Height Adjustment & Roller Bar Group



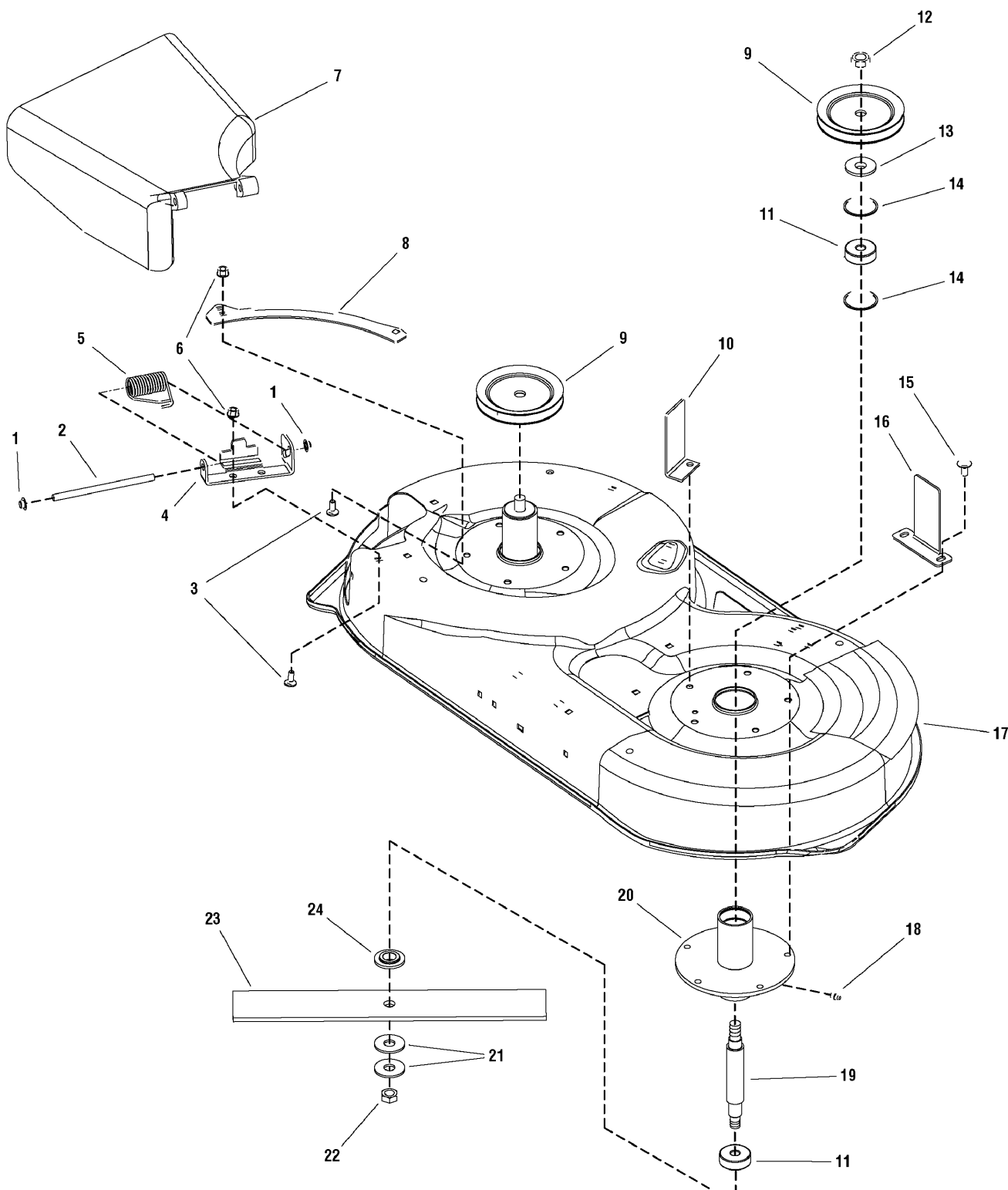
## 38" & 42" Mower Deck - Height Adjustment & Roller Bar Group

---

| Item | Part No  | Qty | Description                                | Note       |
|------|----------|-----|--|------------|
| 1    | 2108765  | 2   | BOLT, Rear Wheel                           | (42" Only) |
| 2    | 1960170  | 2   | WASHER, 1/2                                | (42" Only) |
| 3    | 1714760  | 2   | WHEEL, Gauge                               | (42" Only) |
| 4    | 1931277  | 11  | NUT, Hex, Flange Whizlock, 5/16-18         | (38" Only) |
| 4    | 1931277  | 13  | NUT, Hex, Flange Whizlock, 5/16-18         | (42" Only) |
| 5    | 1731402A | 1   | SUPPORT, Gauge Wheel RH 7 GA               | (42" Only) |
| 6    | 1960687  | 2   | NUT, Hex Flange, 3/8-16 ESNA               | (42" Only) |
| 7    | 1931333  | 11  | BOLT, Carriage, 5/16-18 x 3/4              | (38" Only) |
| 7    | 1931333  | 13  | BOLT, Carriage, 5/16-18 x 3/4              | (42" Only) |
| 8    | 1730072D | 1   | SUPPORT, Mower RH                          |            |
| 9    | 1730201D | 1   | BRACE, Mower Support                       | (38" Only) |
| 10   | 1730071D | 1   | SUPPORT, Mower LH                          |            |
| 11   | 1731403A | 1   | SUPPORT, Gauge Wheel LH 7 GA               | (42" Only) |
| 12   | 1731967D | 1   | HITCH, Front 38" Mower                     |            |
| 12   | 1731966D | 1   | HITCH, Front 42" Mower                     |            |
| 13   | 1731414  | 1   | PIN, Hitch                                 |            |
| 14   | 1679166  | 2   | SPACER, .532 ID x 3/4 OD x 1-1/4 LG Yellow |            |
| 15   | 1960379  | 2   | NUT, ESNA, Lock, 1/2-13 (Thin)             |            |
| 16   | 2176012  | 1   | CLIP, Pin, Safety                          |            |
| 17   | 1730221A | 1   | HANGER, Front Mower                        |            |
| 18   | 1730097  | 1   | ROD, Bail Mowers Yellow                    |            |

### Footnotes:

# 38" & 42" Mower Deck - Housing, Arbors & Blades Group



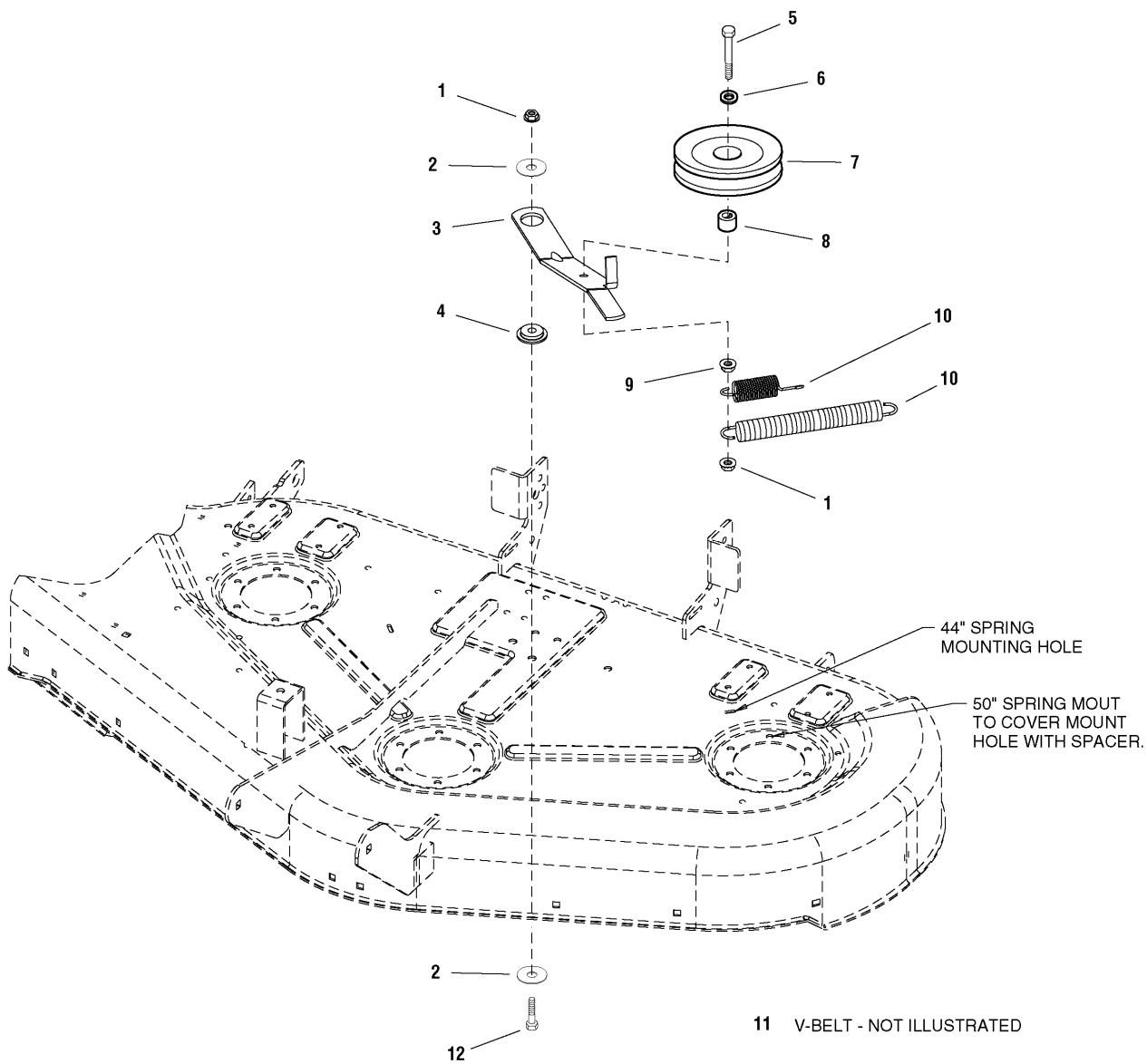
TORQUE TO  
80-90 FT/LBS  
108.8-122.4 Nm

## 38" & 42" Mower Deck - Housing, Arbors & Blades Group

| Item | Part No  | Qty | Description                                    | Note       |
|------|----------|-----|--|------------|
| 1    | 1960093  | 2   | NUT, Push, 3/8                                 |            |
| 2    | 2721281  | 1   | ROD, Deflector                                 |            |
| 3    | 1931333  | 6   | BOLT, Carriage, 5/16-18 x 3/4                  |            |
| 4    | 2721280A | 1   | BRACKET, Hinge 9GA                             |            |
| 5    | 2720154  | 1   | SPRING, Torsion                                |            |
| 6    | 1931277  | 6   | NUT, Hex, Flange Whizlock, 5/16-18             |            |
| 7    | 2721251  | 1   | DEFLECTOR & SUPPORT ASSEMBLY, Chute Riveted    |            |
| 8    | 2720832A | 2   | PLATE, Rear                                    | (38" Only) |
| 8    | 2721000A | 2   | PLATE, Rear                                    | (42" Only) |
| 9    | 1732354  | 2   | PULLEY   | (42" Only) |
| 9    | 1731378  | 2   | PULLEY   | (38" Only) |
| 10   | 1731209A | 1   | UPSTOP, "L" 10GA                               |            |
| 11   | 2108202  | 2   | BEARING, Upper                                 |            |
| 12   | 1960576  | 2   | NUT, Hex Lock, ESNA Light, 5/8-18, Thin        |            |
| 13   | 7072440  | 2   | SPACER, Pulley, 38" Deck                       |            |
| 14   | 7012491  | 2   | RETAINING RING, Extension, 1-3/4               |            |
| 15   | 1923683  | 10  | SCREW, Hex, Washer Head, Taptite, 3/8-16 x 3/4 |            |
| 16   | 1732555A | 1   | UPSTOP, "L" 10GA                               | (38" Only) |
| 17   | 1730100D | 1   | HOUSING, 42"                                   | (42" Only) |
| 17   | 1731204D | 1   | HOUSING, 38"                                   | (38" Only) |
| 18   | 1704314  | 1   | FITTING, Grease                                |            |
| 19   | 7072537  | 1   | SHAFT, Spindle, 38" Deck                       |            |
| 20   | 1731372A | 1   | TUBE & PLATE ASSEMBLY, Spindle                 |            |
| 21   | 7024467  | 4   | WASHER, Belleville                             |            |
| 22   | 7091633  | 2   | NUT, Hex 9/16-18                               |            |
| 23   | 1731898  | 2   | BLADE, Mower 42"                               | (42" Only) |
| 23   | 1731914  | 2   | BLADE, Mower 38"                               | (38" Only) |
| 24   | 1731917  | 2   | WASHER, Spindle Blade Powdered Metal           |            |

### Footnotes:

**44" & 50" Mower Deck - Belt, Idler Arm & Hitch Group**



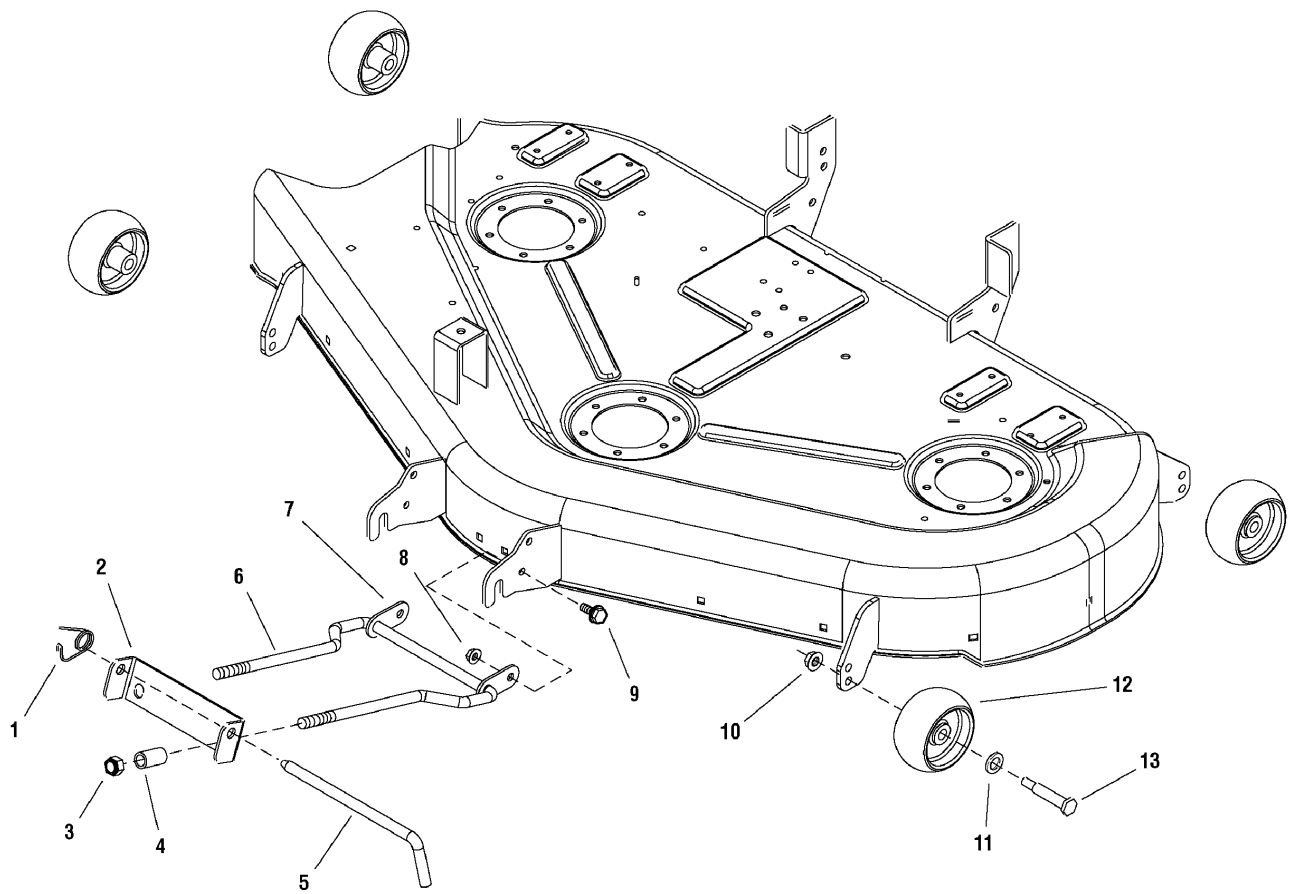
## 44" & 50" Mower Deck - Belt, Idler Arm & Hitch Group

---

| Item | Part No  | Qty | Description                            | Note             |
|------|----------|-----|--|------------------|
| 1    | 1960339  | 2   | NUT, Hex Flange Center Locking, 3/8-16 |                  |
| 2    | 1924356  | 2   | WASHER, Plain, 13/32 x 1-1/2 x 1/8     |                  |
| 3    | 1730090A | 1   | ARM, Idler 7GA                         |                  |
| 4    | 1714255  | 1   | SPACER                                 |                  |
| 5    | 1921972  | 1   | CAPSCREW, Hex Head, 3/8-16 x 2-1/2     |                  |
| 6    | 1924940  | 1   | WASHER, 3/8                            |                  |
| 7    | 2171247  | 1   | PULLEY ASSEMBLY                        |                  |
| 8    | 1667812  | 1   | SPACER                                 |                  |
| 9    | 1931211  | 1   | NUT, Whizlock, 3/8-16                  |                  |
| 10   | 1656936  | 1   | SPRING, Extension, Idler Arm           | (44" Mower Deck) |
| 10   | 1715435  | 1   | SPRING, Extension, Idler Arm           | (50" Mower Deck) |
| 11   | 1729627  | 1   | V BELT, Arbor Drive, 44"               |                  |
| 11   | 1732409  | 1   | V BELT, Arbor Drive, 44"               | (CE Only)        |
| 11   | 1703466  | 1   | V-BELT, Arbor Drive, 50"               |                  |
| 12   | 1922605  | 1   | CAPSCREW, Hex Head, 3/8-16 x 1-1/4, G8 |                  |

### Footnotes:

## 44" & 50" Mower Deck - Height Adjustment & Roller Bar Group





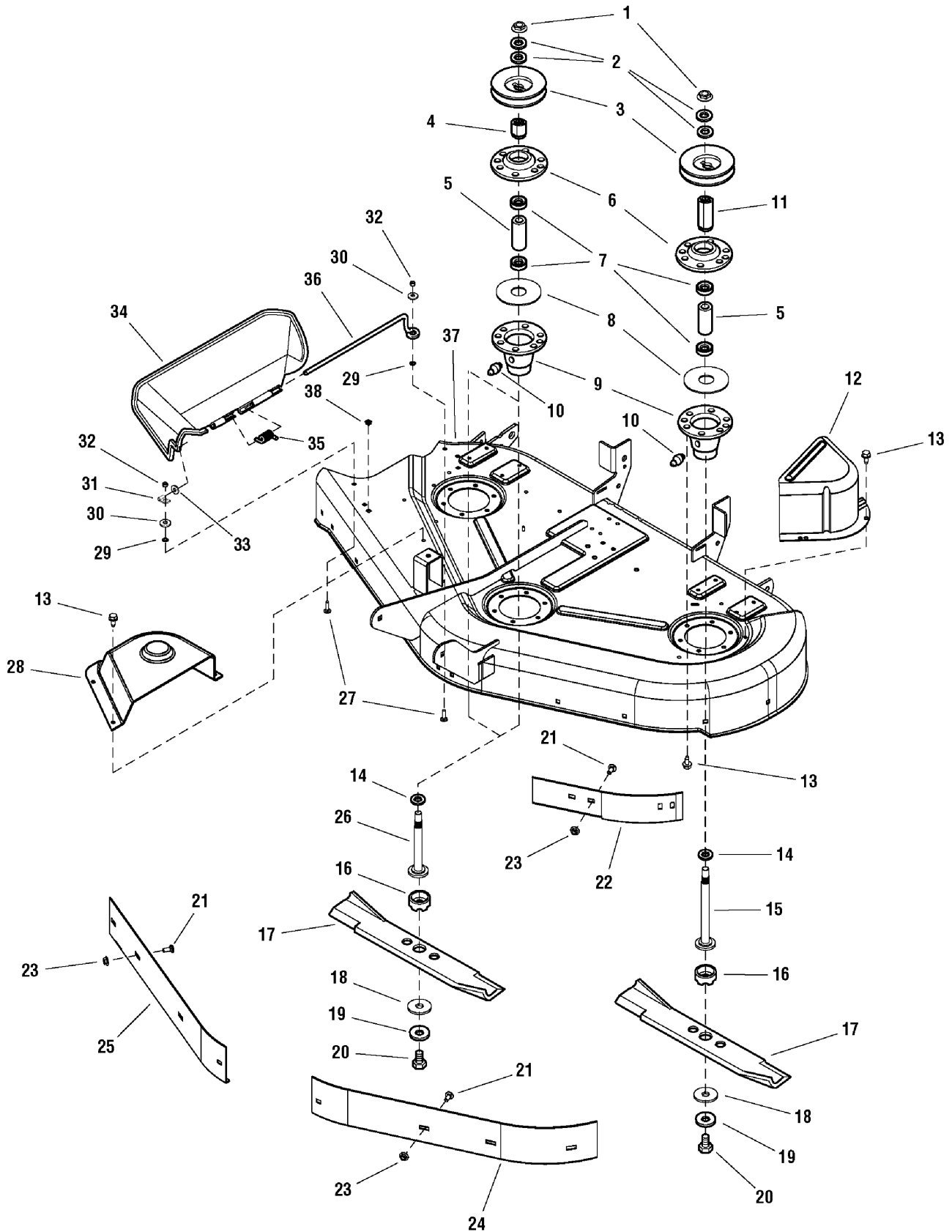
## 44" & 50" Mower Deck - Height Adjustment & Roller Bar Group

---

| Item | Part No  | Qty | Description   | Note |
|------|----------|-----|---|------|
| 1    | 2176012  | 1   | CLIP, Pin, Safety                                   |      |
| 2    | 1730221A | 1   | HANGER, Front Mower                                 |      |
| 3    | 1960379  | 2   | NUT, ESNA, Lock, 1/2-13 (Thin)                      |      |
| 4    | 1679166  | 2   | SPACER  |      |
| 5    | 1731414  | 1   | PIN, Hitch  |      |
| 6    | 1730097  | 1   | ROD, Bail Mowers Yellow                             |      |
| 7    | 1731899A | 2   | PLATE, PIVOT Lock 10 GA                             |      |
| 8    | 1931277  | 2   | NUT, Hex, Flange Whizlock, 5/16-18                  |      |
| 9    | 1930591  | 2   | CAPSCREW, Hex Head, Flange Whiz Lock, 5/16-18 x 3/4 |      |
| 10   | 1960687  | 4   | NUT, Hex Flange, 3/8-16 ESNA                        |      |
| 11   | 1960170  | 4   | WASHER, 1/2   |      |
| 12   | 1714760  | 4   | WHEEL, Gauge  |      |
| 13   | 2108765  | 4   | BOLT, Rear Wheel                                    |      |

### Footnotes:

# 44" Mower Deck - Housing, Arbors & Blades Group

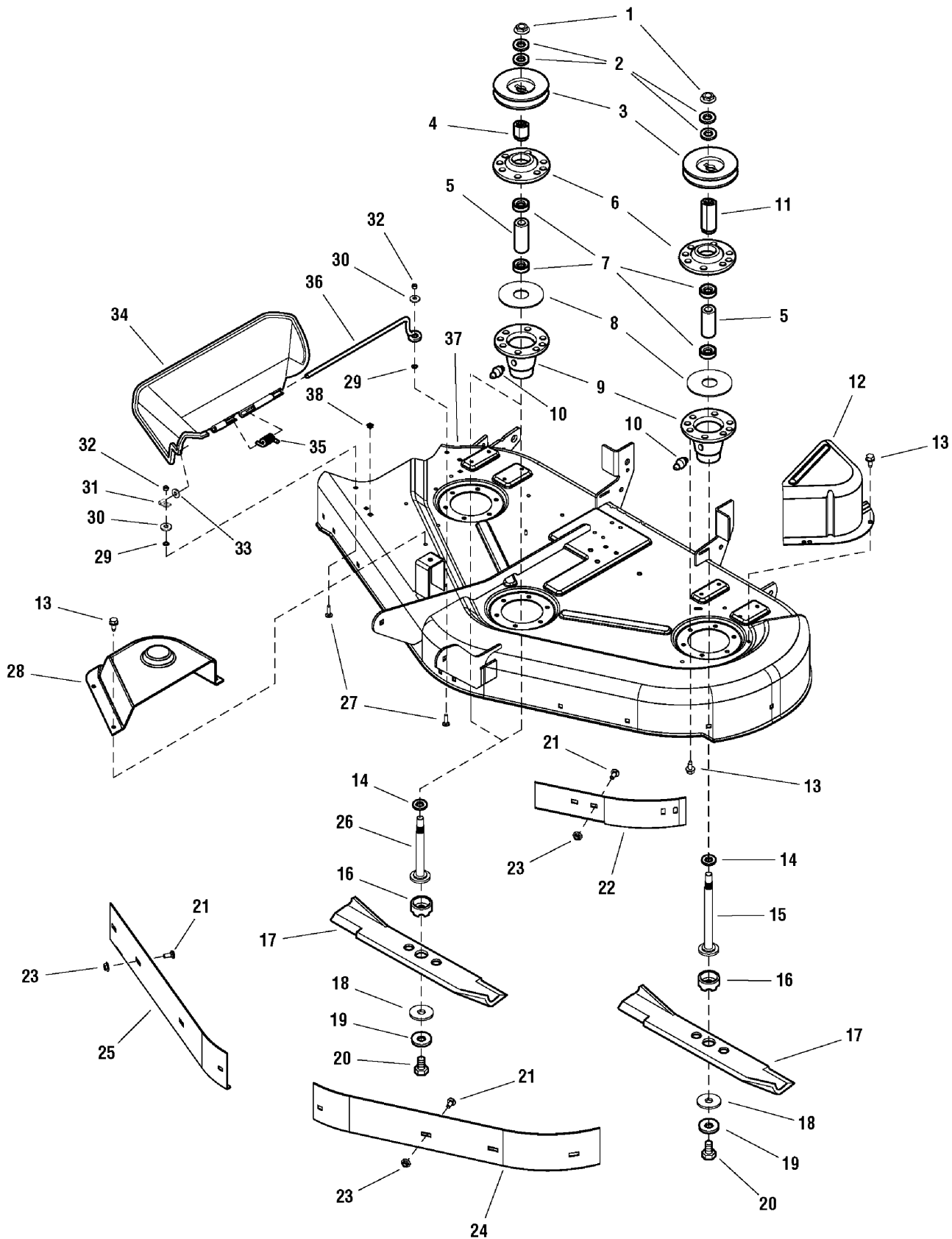


## 44" Mower Deck - Housing, Arbors & Blades Group

| Item | Part No  | Qty | Description                                | Note      |
|------|----------|-----|--|-----------|
| 1    | 1714419  | 3   | NUT, Hex, Flange, 9/16-8                   |           |
| 2    | 1713675  | 6   | WASHER, Belleville                         |           |
| 3    | 1713098  | 3   | PULLEY, RH Arbor & LH Arbor, 4-1/4         |           |
| 4    | 1713613  | 2   | HUB, Pulley, RH                            | (Middle)  |
| 5    | 1713204  | 3   | SPACER                                     |           |
| 6    | 1713199A | 3   | COVER, Arbor Housing                       |           |
| 7    | 1705897  | 6   | BEARING                                    |           |
| 8    | 1707335  | 3   | GASKET, Foam                               |           |
| 9    | 1713338A | 3   | HOUSING, Arbor Bottom, w/Lube Fitting      |           |
| 10   | 1704314  | 1   | FITTING, Grease                            |           |
| 11   | 1713616  | 1   | HUB, Adapter, LH                           |           |
| 12   | 1720560A | 1   | COVER, Arbor                               |           |
| 13   | 1664847  | 29  | CAPSCREW, Hex Head, Taptite, 5/16-18 x 3/4 |           |
| 14   | 1713619  | 3   | WASHER                                     |           |
| 15   | 1713612  | 1   | SHAFT, Arbor                               |           |
| 16   | 1713196  | 3   | SHIELD, Grass, Lower                       |           |
| 17   | 1704100  | 3   | BLADE, 44"                                 |           |
| 18   | 1713089  | 3   | WASHER, Hex                                |           |
| 19   | 1656916  | 3   | WASHER, Spring                             |           |
| 20   | 2823471  | 3   | CAPSCREW, Hex Head, 7/16-14 x 1-1/4        |           |
| 21   | 1931333  | 2   | BOLT, Carriage, 5/16-18 x 3/4              |           |
| 21   | 1931333  | 8   | BOLT, Carriage, 5/16-18 x 3/4              | (CE Only) |
| 22   | 1724538A | 1   | BAFFLE, Anti-Blowout                       |           |
| 23   | 1931277  | 2   | NUT, Hex, Flange Whizlock, 5/16-18         |           |
| 23   | 1931277  | 8   | NUT, Hex, Flange Whizlock, 5/16-18         |           |
| 24   | 1716879A | 1   | BAFFLE, Blowout LH, 44"                    | (CE Only) |
| 25   | 1731990A | 1   | BAFFLE, Blowout RH, 44"                    | (CE Only) |
| 26   | 1713609  | 2   | SHAFT, Arbor, RH                           |           |
| 27   | 1960698  | 2   | CARRIAGE BOLT, 1/4-20 x 1, Black           |           |
| 28   | 1715673  | 1   | COVER, Arbor, RH                           |           |
| 29   | 1960518  | 2   | NUT, Push On                               |           |
| 30   | 1960353  | 2   | WASHER, Plain, 1/4 (6 Total for Export)    |           |
| 31   | 1704873  | 1   | CLAMP                                      |           |
| 32   | 1920397  | 2   | NUT, Hex Lock, ESNA, 1/4-20                |           |
| 33   | 1919326  | 1   | WASHER, Flat, 5/16                         |           |
| 34   | 1705449  | 1   | DEFLECTOR, Plastic                         |           |
| 35   | 1723938  | 1   | SPRING                                     |           |

### Footnotes:

**44" Mower Deck - Housing, Arbors & Blades Group**



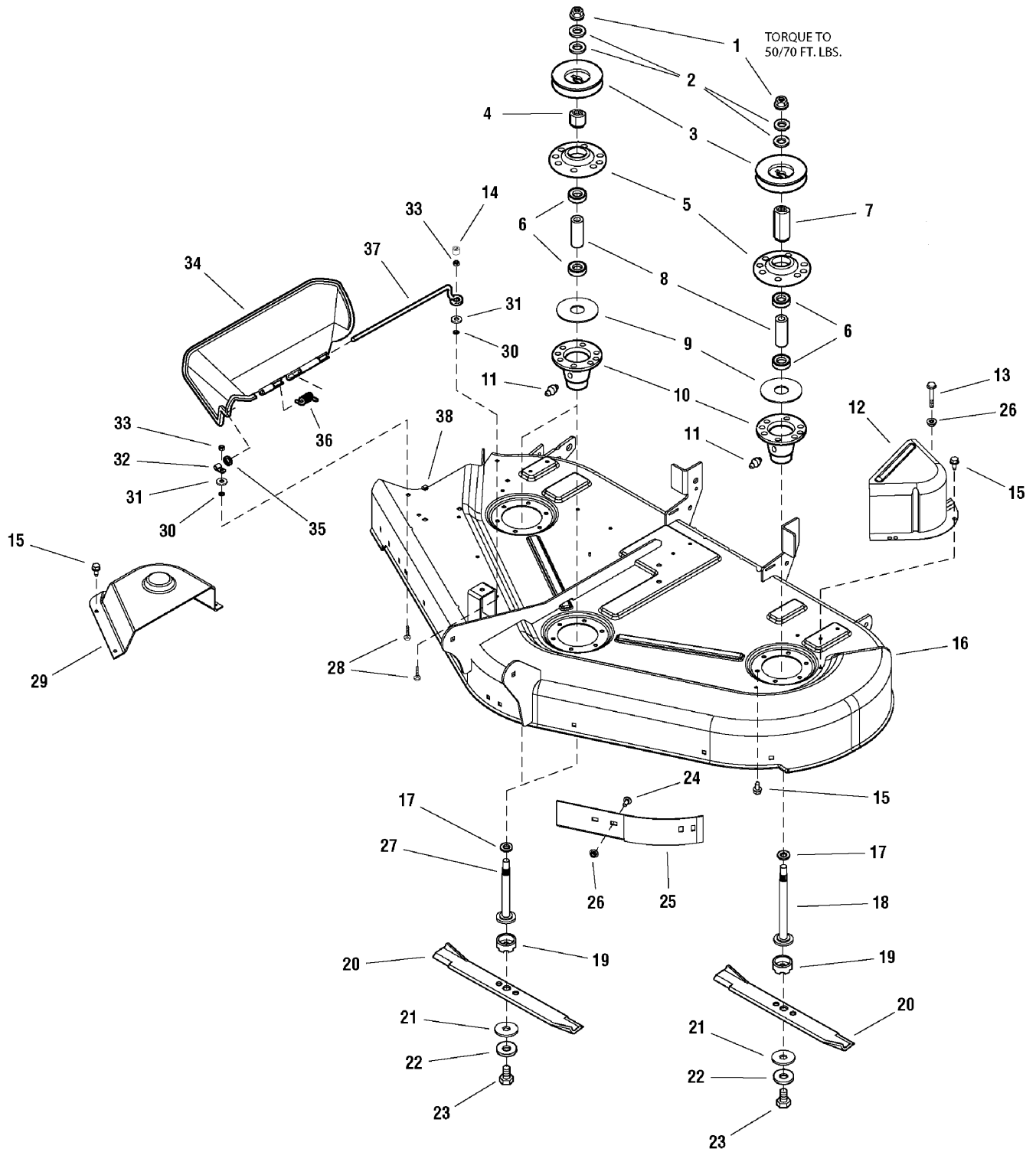
## 44" Mower Deck - Housing, Arbors & Blades Group

---

| Item | Part No  | Qty | Description                             | Note        |
|------|----------|-----|---|-------------|
| 36   | 1706709A | 1   | ROD, Deflector, Front                   |             |
| 37   | 1729597D | 1   | HOUSING ASSEMBLY, 44" Mower Frame Mount |             |
| 38   | 1705115  | 1   | PLUG, Plastic                           | (Not Shown) |

Footnotes:

# 50" Mower Deck - Housing, Arbors & Blades Group

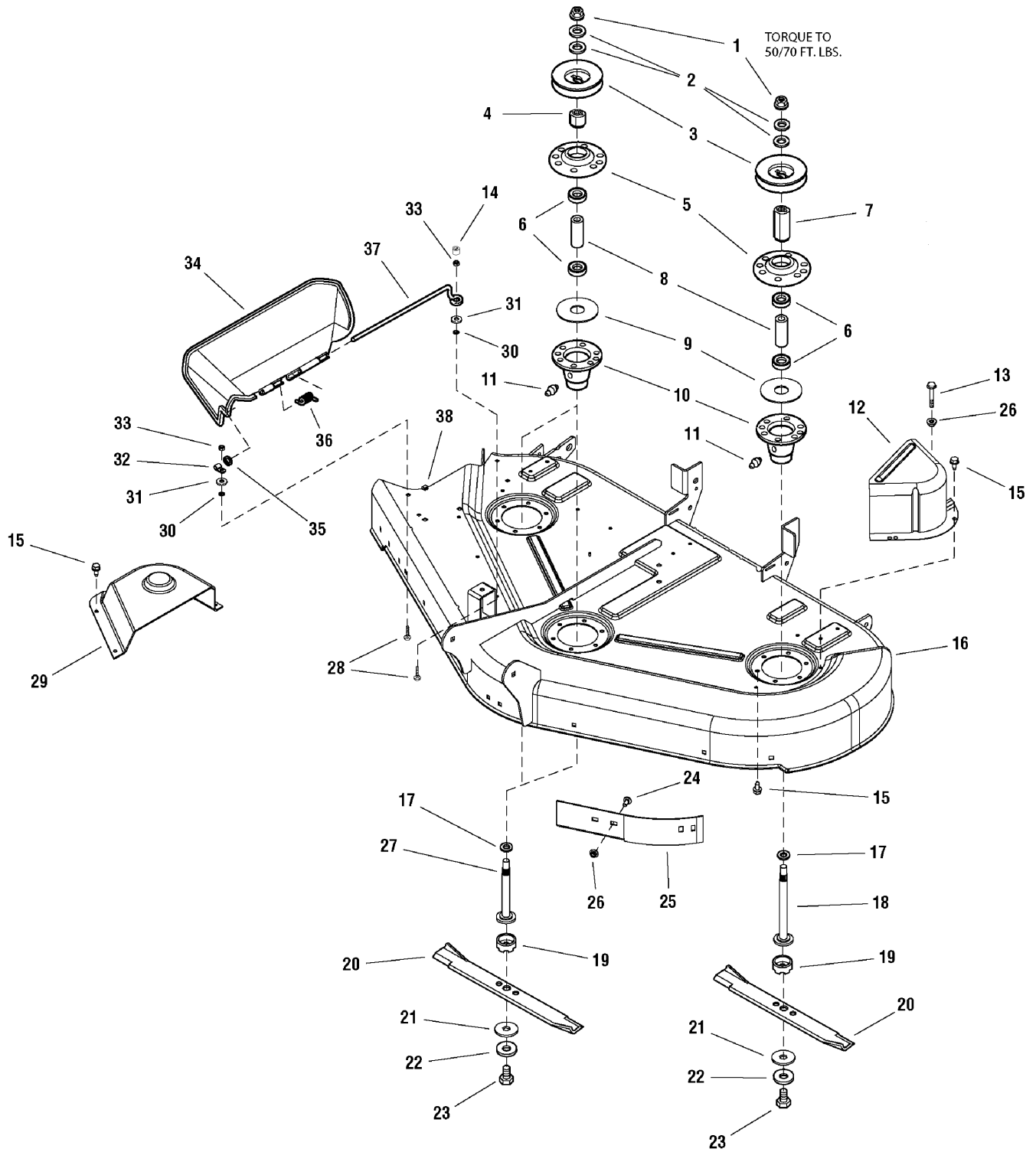


## 50" Mower Deck - Housing, Arbors & Blades Group

| Item | Part No  | Qty | Description   | Note |
|------|----------|-----|---|------|
| 1    | 1714419  | 3   | NUT, Hex, Flange, 9/16-8                                    |      |
| 2    | 1713675  | 6   | WASHER, Belleville  |      |
| 3    | 1713161  | 3   | PULLEY, RH Arbor & LH Arbor, 4-1/2                          |      |
| 4    | 1713613  | 2   | HUB, Pulley, RH   |      |
| 5    | 1713199A | 3   | COVER, Arbor Housing  |      |
| 6    | 1705897  | 6   | BEARING   |      |
| 7    | 1713616  | 1   | HUB, Adapter, LH  |      |
| 8    | 1713204  | 3   | SPACER  |      |
| 9    | 1707335  | 3   | GASKET, Foam  |      |
| 10   | 1713338A | 3   | HOUSING, Arbor Bottom, w/Lube Fitting                       |      |
| 11   | 1704314  | 1   | FITTING, Grease   |      |
| 12   | 1720560A | 1   | COVER, Arbor  |      |
| 13   | 1960730  | 1   | CAPSCREW, Hex Head, Serrated Flange Taptite, 5/16-18 x 2 G5 |      |
| 14   | 1916622  | 1   | NUT, 1/4-20   |      |
| 15   | 1664847  | 26  | CAPSCREW, Hex Head, Taptite, 5/16-18 x 3/4                  |      |
| 16   | 1728998D | 1   | HOUSING ASSEMBLY, 50" Frame Hung                            |      |
| 17   | 1713619  | 3   | WASHER  |      |
| 18   | 1713612  | 1   | SHAFT, Arbor  |      |
| 19   | 1713196  | 3   | SHIELD, Grass, Lower  |      |
| 20   | 1708229  | 3   | BLADE, 18-1/8, 50" Deck                                     |      |
| 21   | 1713089  | 3   | WASHER, Hex   |      |
| 22   | 1656916  | 3   | WASHER, Spring  |      |
| 23   | 2823471  | 3   | CAPSCREW, Hex Head, 7/16-14 x 1-1/4                         |      |
| 24   | 1931333  | 2   | BOLT, Carriage, 5/16-18 x 3/4                               |      |
| 25   | 1724538A | 1   | BAFFLE, Anti-Blowout  |      |
| 26   | 1931277  | 3   | NUT, Hex, Flange Whizlock, 5/16-18                          |      |
| 27   | 1713609  | 2   | SHAFT, Arbor, RH  |      |
| 28   | 1960698  | 2   | CARRIAGE BOLT, 1/4-20 x 1, Black                            |      |
| 29   | 1715673  | 1   | COVER, Arbor, RH  |      |
| 30   | 1960518  | 2   | NUT, Push On  |      |
| 31   | 1960353  | 2   | WASHER, Plain, 1/4 (6 Total for Export)                     |      |
| 32   | 1704873  | 1   | CLAMP   |      |
| 33   | 1920397  | 2   | NUT, Hex Lock, ESNA, 1/4-20                                 |      |
| 34   | 1705449  | 1   | DEFLECTOR, Plastic  |      |
| 35   | 1919326  | 1   | WASHER, Flat, 5/16  |      |
| 36   | 1723938  | 1   | SPRING  |      |
| 37   | 1706709A | 1   | ROD, Deflector, Front                                       |      |

### Footnotes:

**50" Mower Deck - Housing, Arbors & Blades Group**



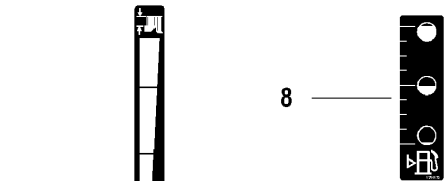
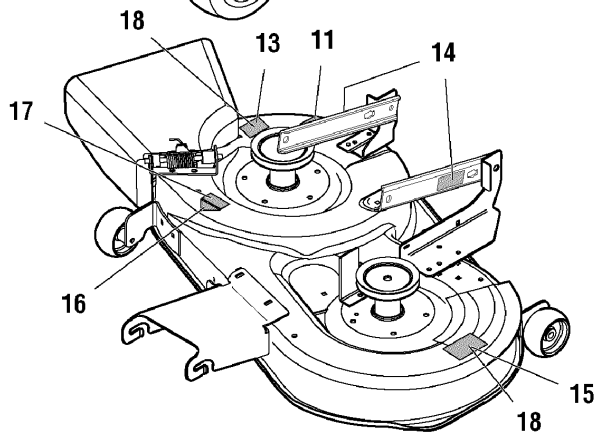
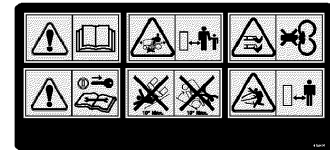
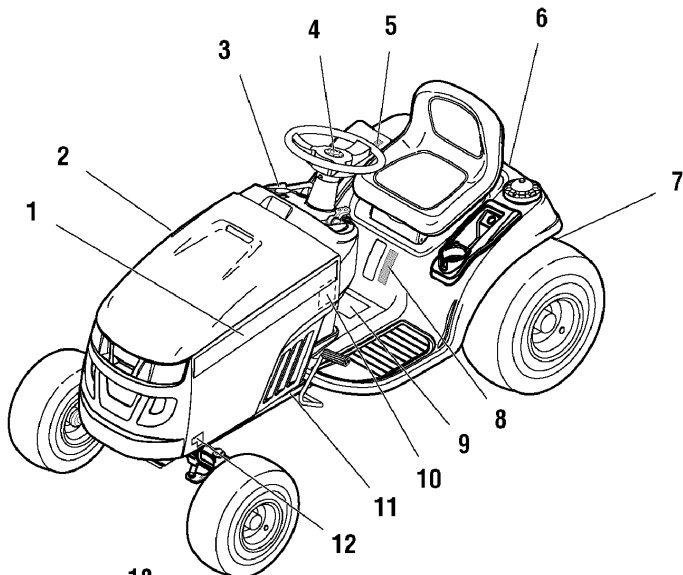


## ***50" Mower Deck - Housing, Arbors & Blades Group***

---

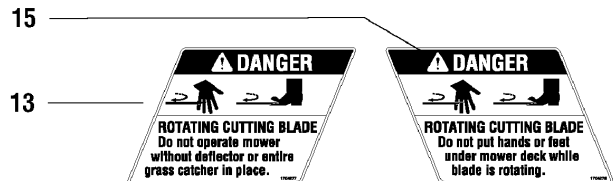
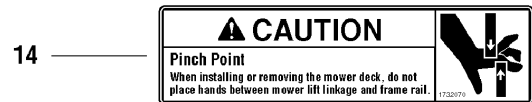
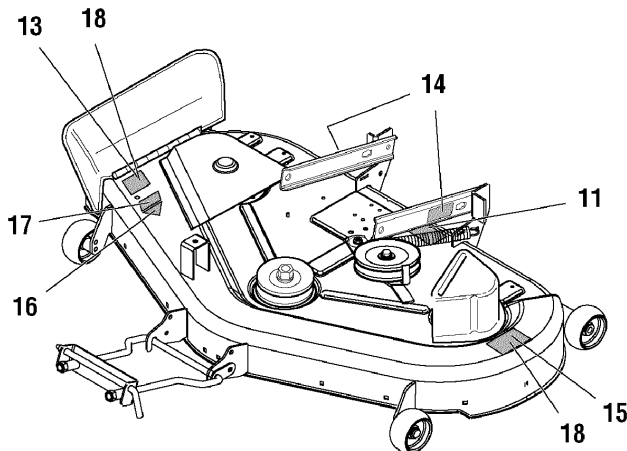
| <b>Item</b> | <b>Part No</b> | <b>Qty</b> | <b>Description</b> | <b>Note</b> |
|-------------|----------------|------------|--------------------|-------------|
| 38          | 1705115        | 1          | PLUG, Plastic      |             |

**Footnotes:**



| XXXXXXXX TRACTORS<br>DRIVE BELTS & MOWER BLADES |          |
|---|----------|
| Transmission belt                               | XXXXXXXX |
| Clutch belt                                     | XXXXXXXX |
| Deck Drive Belt                                 | XXXXXXXX |
| Deck Blade - Left                               | XXXXXXXX |
| Deck Blade - Right                              | XXXXXXXX |
| Deck Blade - Front                              | XXXXXXXX |
| Deck Blade - Rear                               | XXXXXXXX |
| Deck Blade - Side                               | XXXXXXXX |
| Deck Blade - Top                                | XXXXXXXX |
| Deck Blade - Bottom                             | XXXXXXXX |

For safety and quality, read all operating manuals. Manufacturing lots, parts and materials are subject to change without notice. For more information, contact your dealer.



## Decals Group

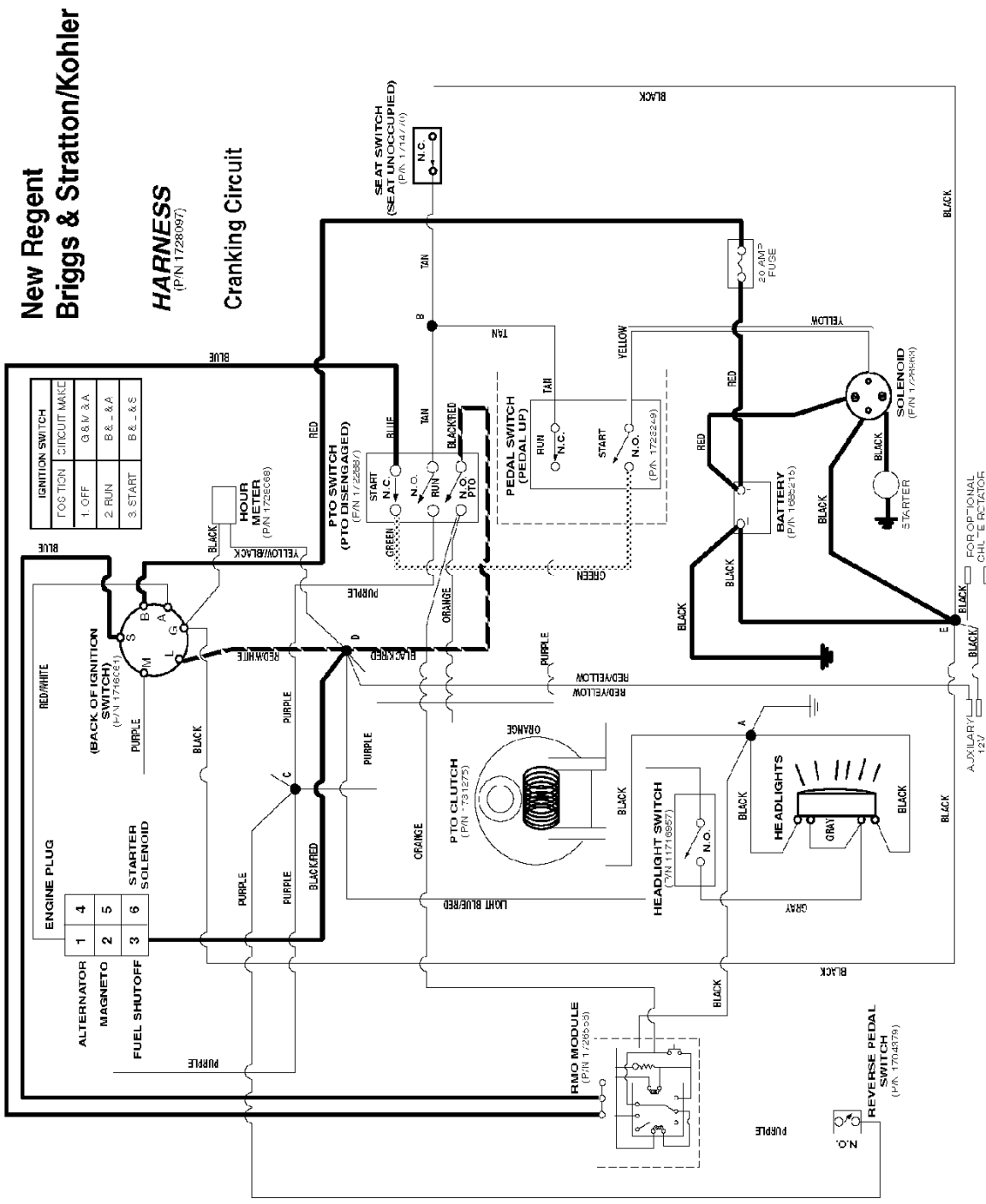
---

| Item | Part No | Qty | Description                                | Note |
|------|---------|-----|--|------|
| 1    | 1731392 | 1   | DECAL, Snapper, LH Hood Stripe             |      |
| 2    | 1731393 | 1   | DECAL, Snapper, RH Hood Stripe             |      |
| 3    | 1722806 | 1   | DECAL, Ignition Switch Symbol, White/Black |      |
| 4    | 1731419 | 1   | DECAL, Steering Wheel Icon                 |      |
| 5    | 1730264 | 1   | DECAL, Height of Cut                       |      |
| 6    | 1731955 | 1   | DECAL, Snapper Rear Stripe, Silver/ 8.5LG  |      |
| 7    | 1730202 | 1   | DECAL, Transmission Tow/ Release Lever     |      |
| 8    | 1730172 | 1   | DECAL, Fuel Level                          |      |
| 9    | 1730170 | 1   | DECAL, Tunnel                              |      |
| 9    | 1723175 | 1   | DECAL, Safety Instructions (CE)            |      |
| 10   | 1731956 | 1   | DECAL, Belts, Blades                       |      |
| 11   | *       | 1   | DECAL, ID Plate                            |      |
| 12   | 1731927 | 1   | DECAL, LT200 18.5HP                        |      |
| 12   | 1731928 | 1   | DECAL, LT200 20HP                          |      |
| 12   | 1731929 | 1   | DECAL, LT200 22HP                          |      |
| 13   | 1704277 | 1   | DECAL, Danger, Chute in Place              |      |
| 14   | 1732070 | 1   | DECAL, Pinch Point                         |      |
| 15   | 1704276 | 1   | DECAL, Danger, Hand Under Deck             |      |
| 16   | *       | 1   | DECAL, OPEI                                |      |
| 17   | 1722787 | 1   | DECAL, 38"                                 |      |
| 17   | 1731924 | 1   | DECAL, 42"                                 |      |
| 17   | 1722790 | 1   | DECAL, 50"                                 |      |
| 18   | 1720389 | 1   | DECAL, Hand Under Deck (CE)                |      |

### Footnotes:

Note\* Not a serviceable part.

Note\* Not a serviceable part.



## **Wiring Schematic (1728097)**

---

| <b>Item</b> | <b>Part No</b> | <b>Qty</b> | <b>Description</b>                     | <b>Note</b> |
|-------------|----------------|------------|--|-------------|
|             |                |            | Wiring Schematic (for 1728097 Harness) |             |

**Footnotes:**





*Parts Manual for*

# **SNAPPER®**

## ***ELECTRIC CLUTCH HYDRO DRIVE RMO TRACTORS LT-200 SERIES***

IT IS THE POLICY OF SNAPPER TO IMPROVE ITS PRODUCTS  
WHENEVER IT IS POSSIBLE AND PRACTICAL TO DO SO. WE  
RESERVE THE RIGHT TO MAKE CHANGES OR ADD IMPROVEMENTS  
AT ANY TIME WITHOUT INCURRING ANY OBLIGATION TO MAKE  
SUCH CHANGES ON PRODUCTS MANUFACTURED PREVIOUSLY.

**SNAPPER®** McDonough, GA, 30253 U.S.A.