

Parts Manual for

SNAPPER®

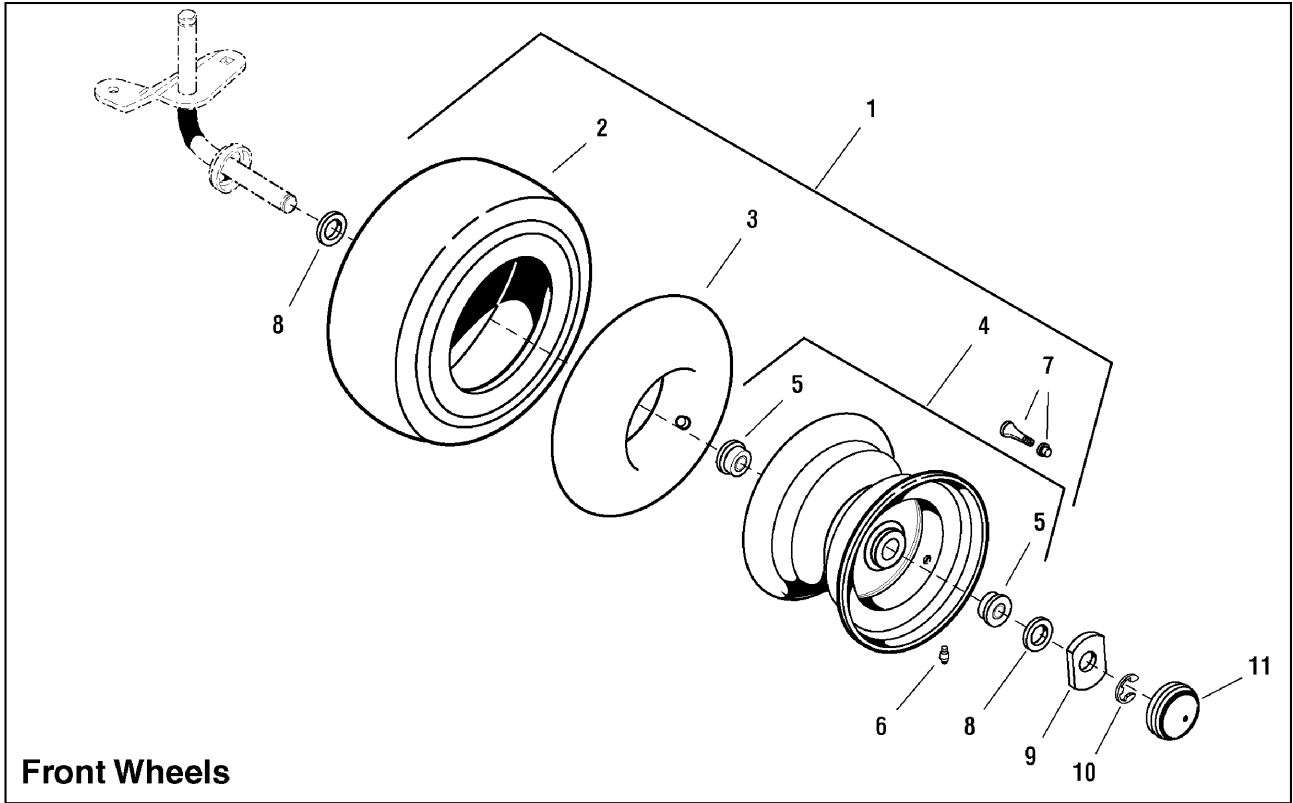
ELECTRIC CLUTCH HYDRO DRIVE RMO & ACS TRACTORS LT-200 SERIES



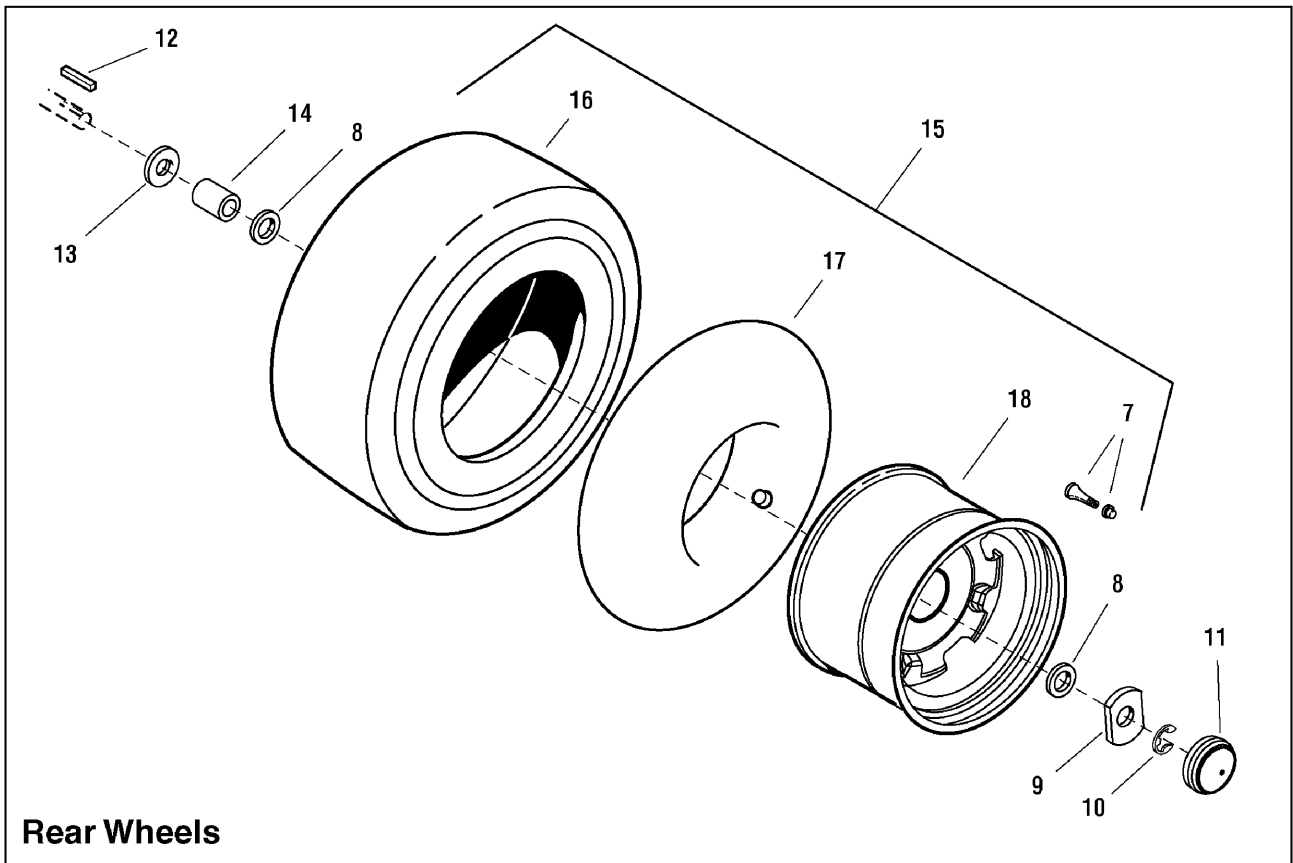
MODEL
ELT18538 (2690593)
ELT18538 (2690685)
ELT2044 (2690689)
ELT2044 (2690594)
LT18538 (2690577)
LT2042 (2690578)
LT2044 (2690579)
LT2250 (2690580)

SNAPPER® McDonough, GA, 30253 U.S.A.

PAGE	GROUP
4	Wheels & Tires Group
6	Hood, Grille & Dash Group
8	Steering Group
10	Seat Deck & Fuel Tank Group
12	Frame & Front Axle Group
14	Controls Group
16	Transmission Group
18	Engine Group
20	Lift Group - Manual
22	38" & 42" Mower Deck - Housing, Arbors & Blades Group
24	38" & 42" Mower Deck - Belt, Idler Arm & Hitch Group
26	38" & 42" Mower Deck - Height Adjustment & Roller Bar Group
28	44" Mower Deck - Housing, Arbors & Blades Group
32	44" & 50" Mower Deck - Belt, Idler Arm & Hitch Group
34	44" & 50" Mower Deck - Height Adjustment & Roller Bar Group
36	50" Mower Deck - Housing, Arbors & Blades Group
40	Decals Group
42	Electrical Group



Front Wheels



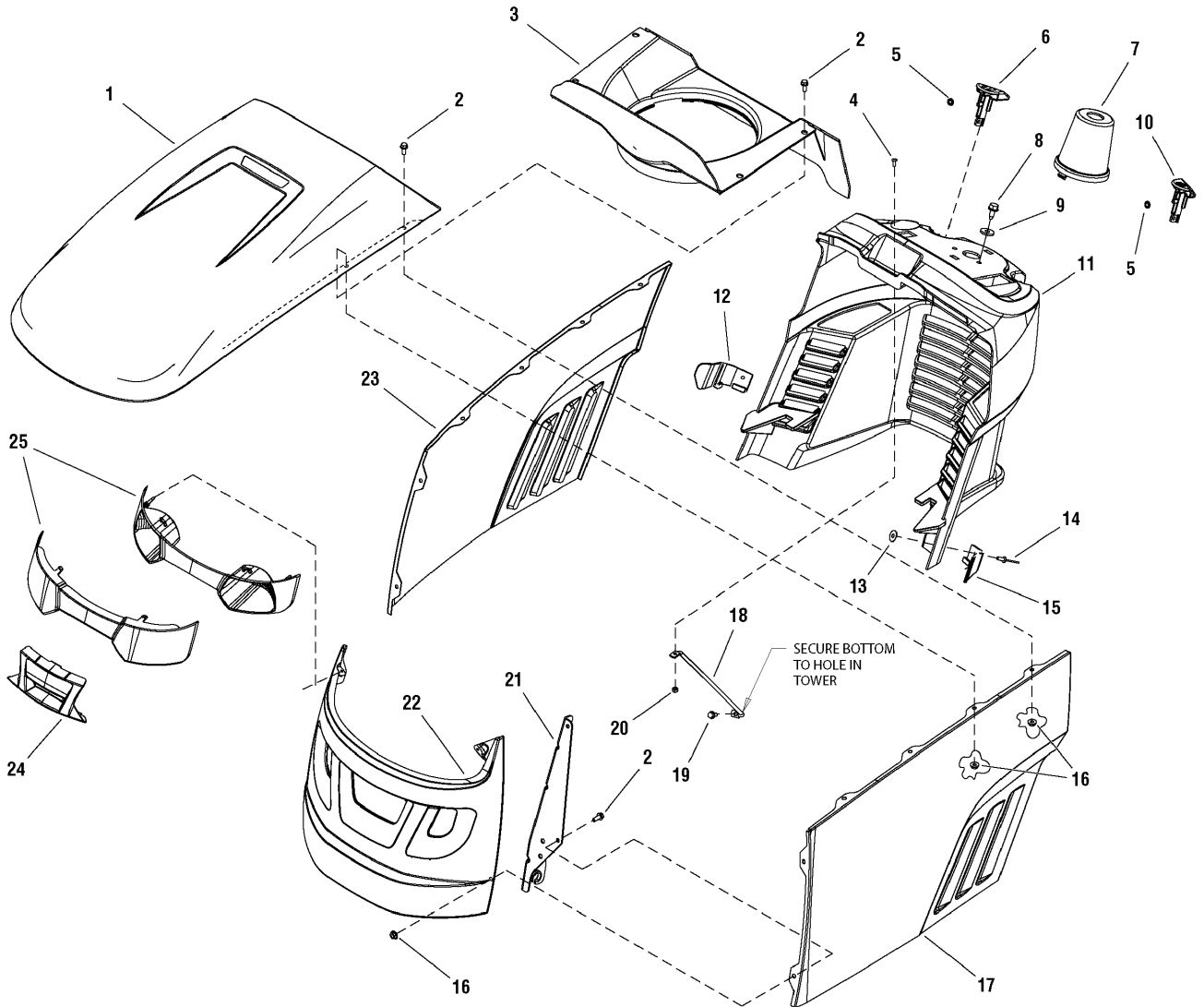
Rear Wheels

Wheels & Tires Group

Item	Part No	Qty	Description	Note
1	1729708	2	WHEEL & TIRE ASSEMBLY, Front	
2	1731951	1	TIRE, Turf 15 X 6.00 - 6 Saver TL	
3	1664090	1	TUBE, Tire, Front	
4	1726301	1	WHEEL & BUSHINGS ASSEMBLY, Front	
5	1713167	4	BEARING	
6	2812808	1	FITTING, Grease, 1/4-28 Thread	
7	2172353	2	VALVE STEM & CAP	
8	2860183	8	WASHER, 3/4	
9	1722717	4	WASHER, Special Yellow	
10	2827794	4	RING, Retaining	
11	1722676	4	CAP, Hub	
12	1713409	2	KEY, 3/16 x 3/16 x 3	
13	2860202	2	WASHER	
14	1730181	2	SPACER, 0.77 ID x 1-1/4 OD x 1.65 LG Powdered Metal Black	
15	1729709	2	WHEEL & TIRE ASSEMBLY, Rear 20"	
15	1732324	2	WHEEL & TIRE ASSEMBLY, Rear 22"	
16	1731952	1	TIRE, Turf 22 X 8.00 - 8 Saver TL	
16	1731953	1	TIRE, Turf 22 X 10.00 - 8 Saver TL	
17	2164247	1	TUBE, Tire, Rear, 22 X 8 - 8	
17	2173477	1	TUBE, Tire, Rear, 22 X 10 - 8	
18	1731954	1	WHEEL, Hub	

Footnotes:

Hood, Grille & Dash Group

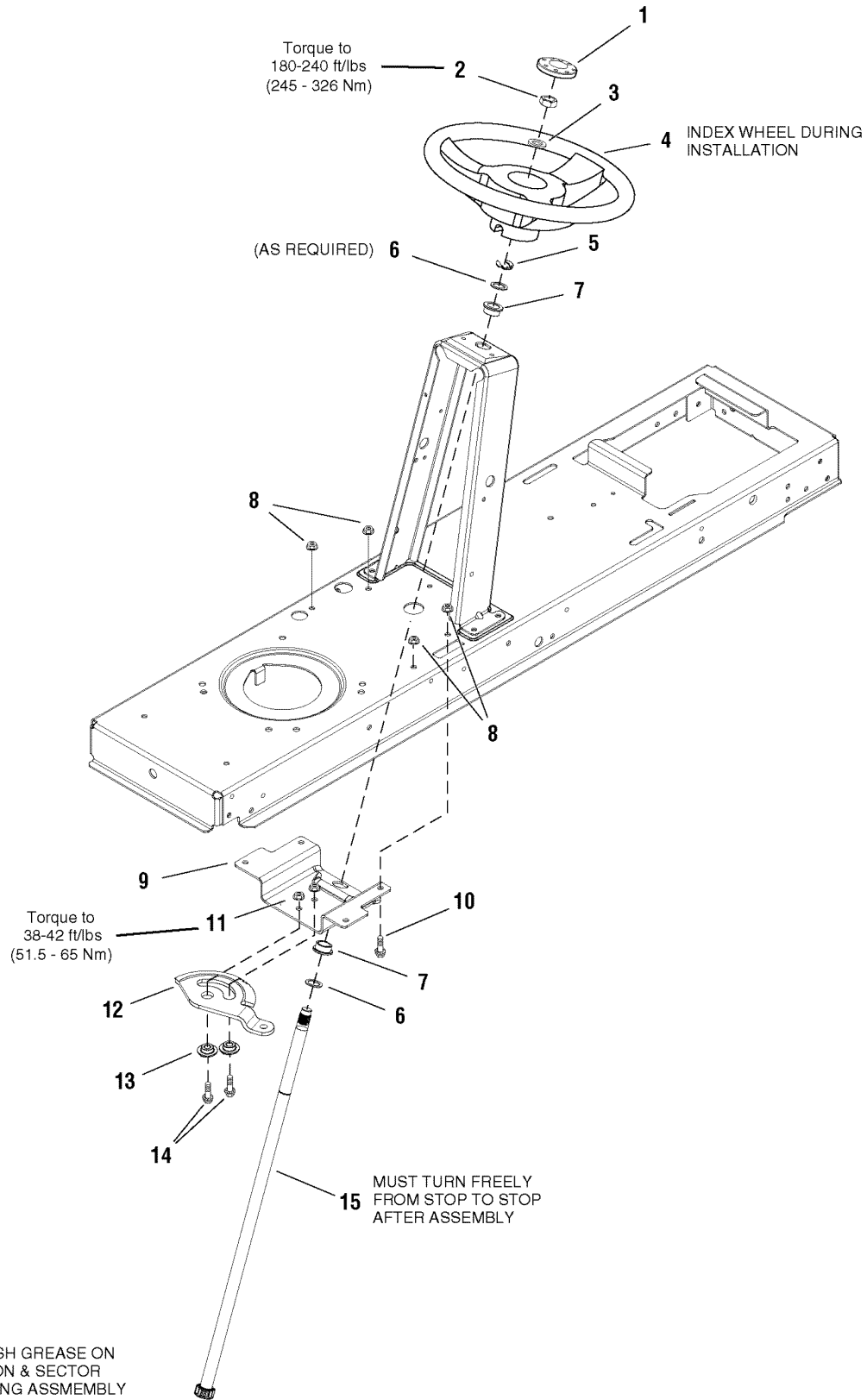


Hood, Grille & Dash Group

Item	Part No	Qty	Description	Note
1	1728031D	1	HOOD, W/Scoop	
2	1960295	12	CAPSCREW, Whizlock, 1/4-20 x 5/8	
3	1731891	1	DUCT, Air Inlet Plastic	
4	1960392	1	SCREW, Pan Head #10-24 x 1/2	
5	1960674	2	PUSH NUT	
6	1728090	1	KNOB, Cruise Lock Green Plastic	
7	1727999	1	COVER, Steering Shaft Plastic	
8	1664847	2	CAPSCREW, Hex Head, Taptite, 5/16-18 x 3/4	
9	1919381	2	WASHER, Plain, 5/16	
10	1728089	1	KNOB, Brake Lock Plastic	
11	1727293	1	DASHBOARD	
12	1732031	1	GUIDE, Hood RH	
13	1960096	2	WASHER	
14	1928707	2	RIVET, Pop, Stem Black	
15	1732030	1	GUIDE, Hood LH	
16	1930641	12	NUT, Hex Flange Whiz, 1/4-20	
17	1727295D	1	PANEL, Hood LH Side	
18	1723123	1	ROD, Dash Support	
19	1925003	1	SCREW, Taptite, 1/4-20 x 1/2	
20	1933896	1	NUT, Hex, Nylon, Lock, #10-24	
21	1727279A	1	HINGE, Hood LH	
21	1727280A	1	HINGE, Hood RH	
22	1728059D	1	GRILLE	
23	1727294D	1	PANEL, Hood RH Side	
24	1728975	1	INSERT, Lightbar	
25	1727296	1	HEADLIGHT ASSEMBLY	

Footnotes:

Steering Group

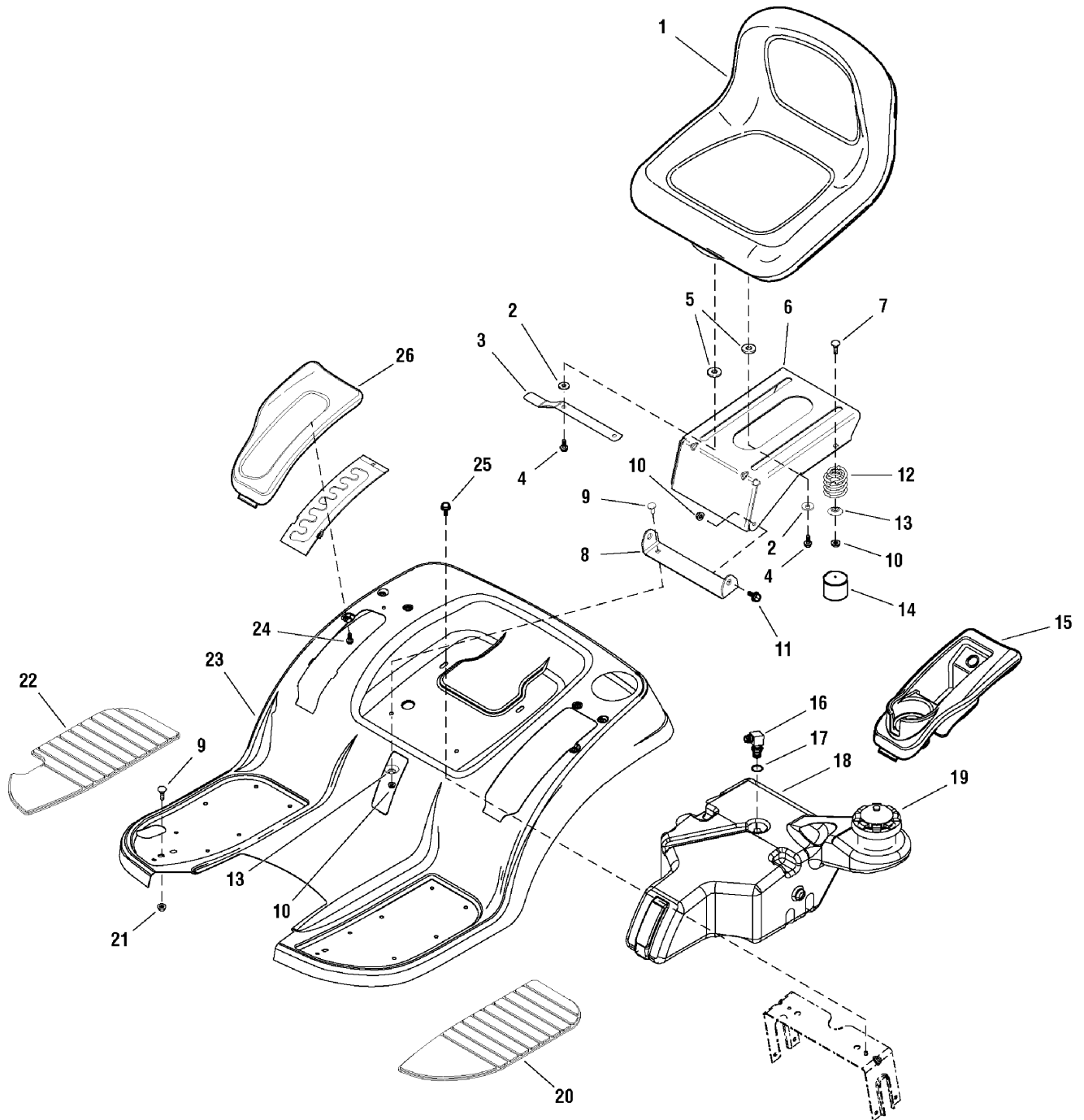


Steering Group

Item	Part No	Qty	Description	Note
1	1725024	1	CAP, Steering Wheel, Plain	
2	1960576	1	NUT, Hex Lock, ESNA Light, 5/8-18, Thin	
3	1924366	1	WASHER, 5/8	
4	1728069	1	STEERING WHEEL, w/Aluminum Insert	
5	1611710	1	RING, Klipring Extension	
6	1960114	2	WASHER	
7	1729665	2	BUSHING, Steering	
8	1931277	4	NUT, Hex, Flange Whizlock, 5/16-18	
9	1727940A	1	BRACKET, Sector Support	
10	1930591	4	CAPSCREW, Hex Head, Flange Whiz Lock, 5/16-18 x 3/4	
11	1931211	2	NUT, Whizlock, 3/8-16	
12	1728027	1	GEAR, Steering, 26 teeth	
13	1728122	2	SPACER, Sector Gear Powdered Metal Yellow	
14	1934654	2	CAPSCREW, Hex, Flange, Whizlock, 3/8-16 x 1	
15	1727813	1	SHAFT, Steering Gear & Spline Yellow	

Footnotes:

Seat Deck & Fuel Tank Group

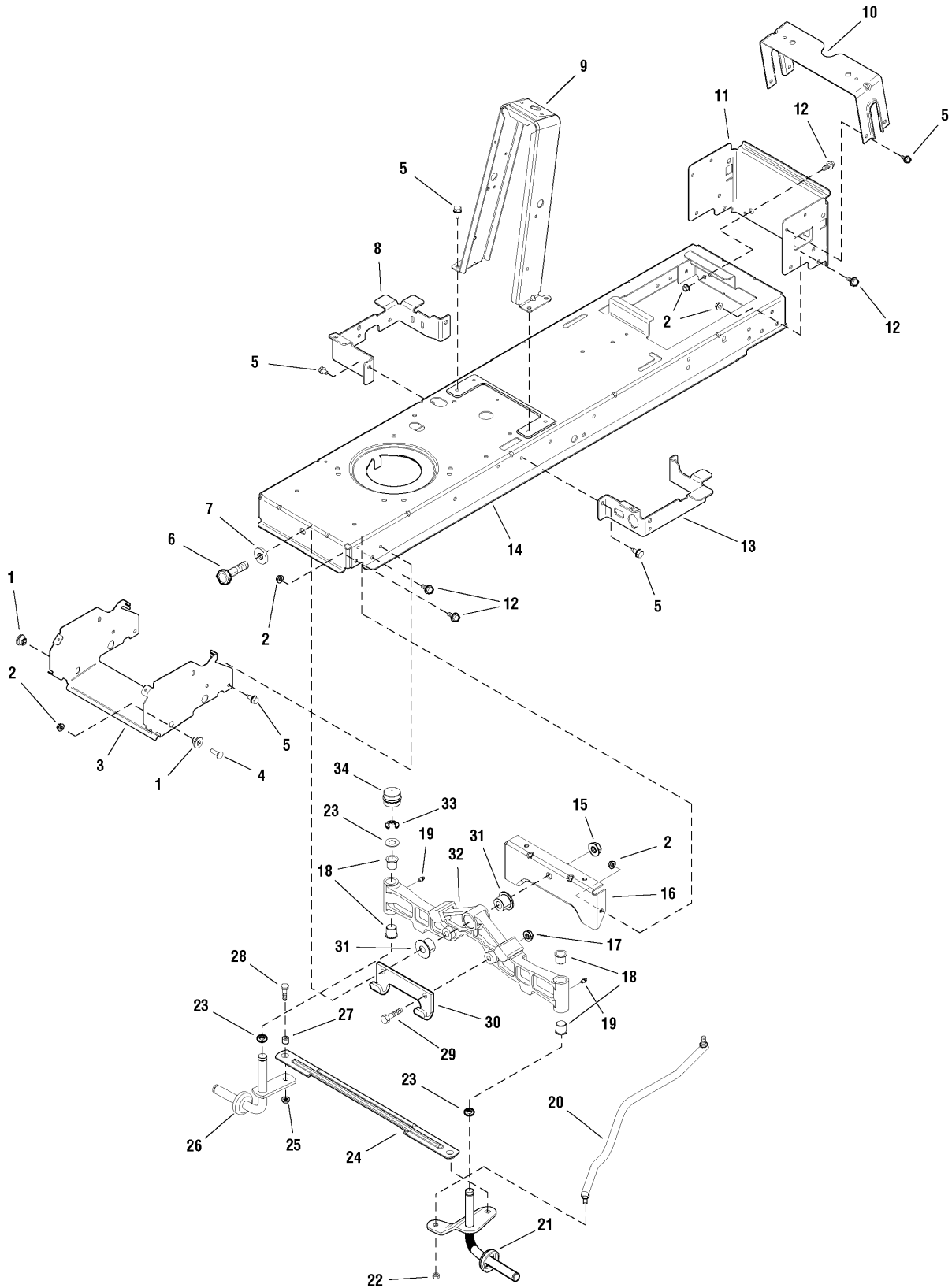


Seat Deck & Fuel Tank Group

Item	Part No	Qty	Description	Note
1	1730158	1	SEAT, Low Back	
1	1730159	1	SEAT, Hi Back, Steel Pan	
2	1919381	4	WASHER, Plain, 5/16	
3	1727268	1	LATCH, Seat 20GA E-Coat	
4	1960667	4	CAPSCREW, Hex Head Flange Dog Point, 5/16-18 x 1	
5	1731300	4	SPACER, Powdered Metal Yellow	
6	1727265A	1	SUPPORT, Seat 12GA	
7	1960282	2	CARRIAGE BOLT, 5/16-18 x 3/4	
8	1727266A	1	PIVOT, Seat 10GA	
9	1931333	4	BOLT, Carriage, 5/16-18 x 3/4	
10	1960686	4	NUT, Hex Flange, 5/16-18 ESNA	
11	1729576	2	BOLT, Shoulder 5/16-18 G5	
12	1704728	2	SPRING, Compression	
13	1709256	4	WASHER, Spring Black	
14	1704724	2	COVER, Spring	
15	1729001	1	POD, LH Cup Holder	
16	1674231	1	ELBOW FITTING	
17	1654930	1	BUSHING	
18	1727305	1	TANK, Fuel	
19	1715917	1	CAP, Gas	
20	1728006	1	PAD, Footrest LH	
21	1931277	4	NUT, Hex, Flange Whizlock, 5/16-18	
22	1728007	1	PAD, Footrest RH	
23	1727264D	1	DECK, Seat w/Footrests (Red)	
24	1960536	6	SCREW, Hex, Washer Head, Plastite, 1/4-20 x 1/2	
25	1930601	2	SCREW, Taptite, 5/16-18 x 5/8	
26	1729000	1	POD, RH Lift Quadrant	

Footnotes:

Frame & Front Axle Group



Frame & Front Axle Group

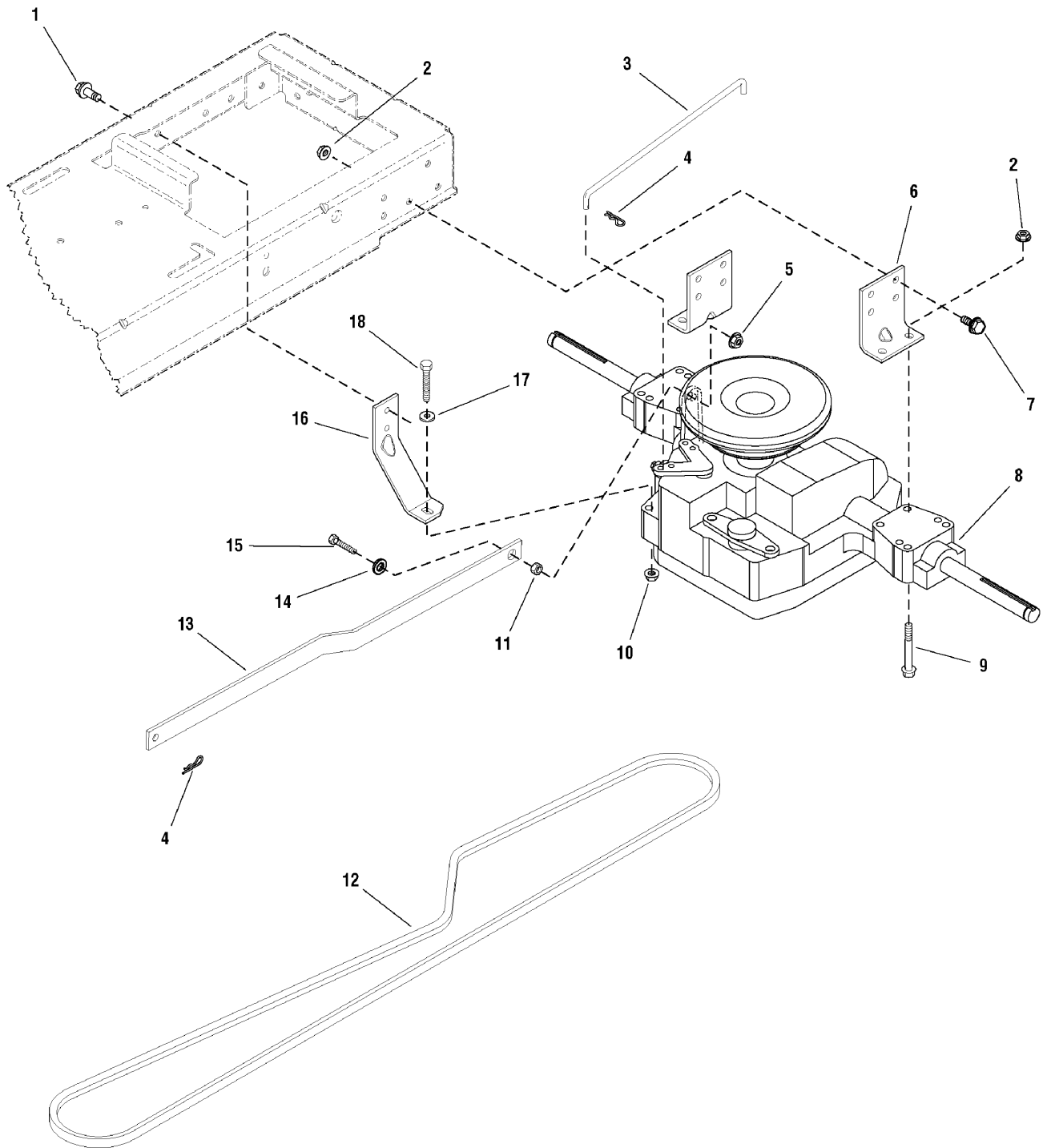
Item	Part No	Qty	Description	Note
1	1728086	2	PIVOT, Hood Powdered Metal	
2	1931277	16	NUT, Hex, Flange Whizlock, 5/16-18	
3	1727982A	1	SUPPORT, Muffler, Hood 14GA	
4	1931335	2	CARRIAGE BOLT, 5/16-18 x 1	
5	1930601	14	SCREW, Taptite, 5/16-18 x 5/8	
6	2860744	1	CAPSCREW, Hex Head, 5/8-11 x 3-1/4 G5	
7	1960035	1	WASHER, Flat, 5/8	
8	1727904A	1	SUPPORT, Front Footrest RH	
9	1727260A	1	TOWER, 12GA	
10	1731310A	1	SUPPORT, Seat Deck 12GA	
11	1731309A	1	SUPPORT, Rear Frame 12GA	
12	1930591	14	CAPSCREW, Hex Head, Flange Whiz Lock, 5/16-18 x 3/4	
13	1727905A	1	SUPPORT, Front Footrest LH	
14	1727901A	1	FRAME, 12GA	
15	2860646	1	NUT, Hex Flange Two-Way Lock, 5/8-11	
16	1727902A	1	PLATE, Axle Support	
17	1930650	2	LOCKNUT, Hex, Flange, 7/16-14	
18	2176440	4	BUSHING, Nylon, 3/4 Diameter	
19	1704214	3	FITTING, Zerk	
20	1727868	1	LINK, Drag	
21	1727873A	1	SPINDLE & ARM ASSEMBLY, LH	
22	1960747	2	NUT, Hex Nylock 3/8-24	
23	1960160	4	WASHER, 3/4	
24	1728080A	1	ROD, Tie	
25	1930645	2	NUT, Hex, Flange, Locking, 3/8-16	
26	1727872A	1	SPINDLE & CUP ASSEMBLY, RH	
27	1731912	2	BUSHING, Powdered Metal	
28	1960032	2	CAPSCREW, Hex Head, 3/8-16 x 1-1/4, .141 Thread G5	
29	1927531	2	CAPSCREW, 7/16-14 x 2	
30	1721918A	1	HOOK, "J"	
31	1730186	2	BUSHING, Axle Pivot Powdered Metal	
32	1728018	1	AXLE, Front Iron Casting Machined	
33	1611710	2	RING, Klipring Extension	
34	1726504	2	CAP, Hub	

Footnotes:

Controls Group

Item	Part No	Qty	Description	Note
1	1727259	1	PAD, Foot Pedal Reverse	
2	1960223	2	CARRIAGE BOLT, 5/16-18 x 1-1/4	
3	1727935	2	SPACER, Pivot Powdered Metal	
4	1727246A	1	PEDAL, Reverse	
5	1728024	1	SPACER, Foot Pedal Powdered Metal	
6	1931277	6	NUT, Hex, Flange Whizlock, 5/16-18	
7	1728025	1	ACTUATOR, RMO Switch 20GA	
8	1727898	1	ROD, Cruise Latch, 16.97LG	
9	1728111	2	CLIP, Linkage, Black	
10	1727267	1	ROD, Parking Brake, 16.38 LG Yellow	
11	1960268	2	CARRIAGE BOLT, 3/8-16 x 1-1/4	
12	1727894A	1	BRACKET, Idler 7GA	
13	1729620	1	SPRING, Extension 07.52 LG Black	
14	1728001	1	PULLEY, 3 OD Plastic	
15	1960687	2	NUT, Hex Flange, 3/8-16 ESNA	
16	1931335	1	CARRIAGE BOLT, 5/16-18 x 1	
17	1728000	1	PULLEY, Idler	
18	1721995	1	SPRING, Extension	
19	1918447	1	PIN, Cotter 3/32 x 3/4	
20	1727253	1	ROD, Brake, 15.1 LG	
21	1731262	1	SPRING, Extension 05.37 LG Black	
22	1727261	1	PEDAL, Brake Rubber	
23	1722460	1	PIN, Quick	
24	1727254	1	ROD, Brake Return, 12.60 LG	
25	1727252A	1	PEDAL ASSEMBLY, Brake	
26	1727899	1	ROD, Cruise Latch, 2.83 LG	
27	2159181	1	SPRING, Tension, Clutch	
28	1727897	1	LATCH, Cruise Powdered Metal	
29	1728976	1	BOLT, Shoulder 5/16-18 G5	
30	1727269A	1	LATCH, Brake Lock 10GA	
31	1729576	1	BOLT, Shoulder 5/16-18 G5	
32	1930601	3	SCREW, Taptite, 5/16-18 x 5/8	
33	1727911A	1	PLATE, Bearing	
34	1727909A	1	BRACKET, Pedal Pivot 10GA	
35	1930591	1	CAPSCREW, Hex Head, Flange Whiz Lock, 5/16-18 x 3/4	
36	1727250A	1	PEDAL ASSEMBLY, Forward	
37	1721675	1	PAD, Foot Pedal Forward	

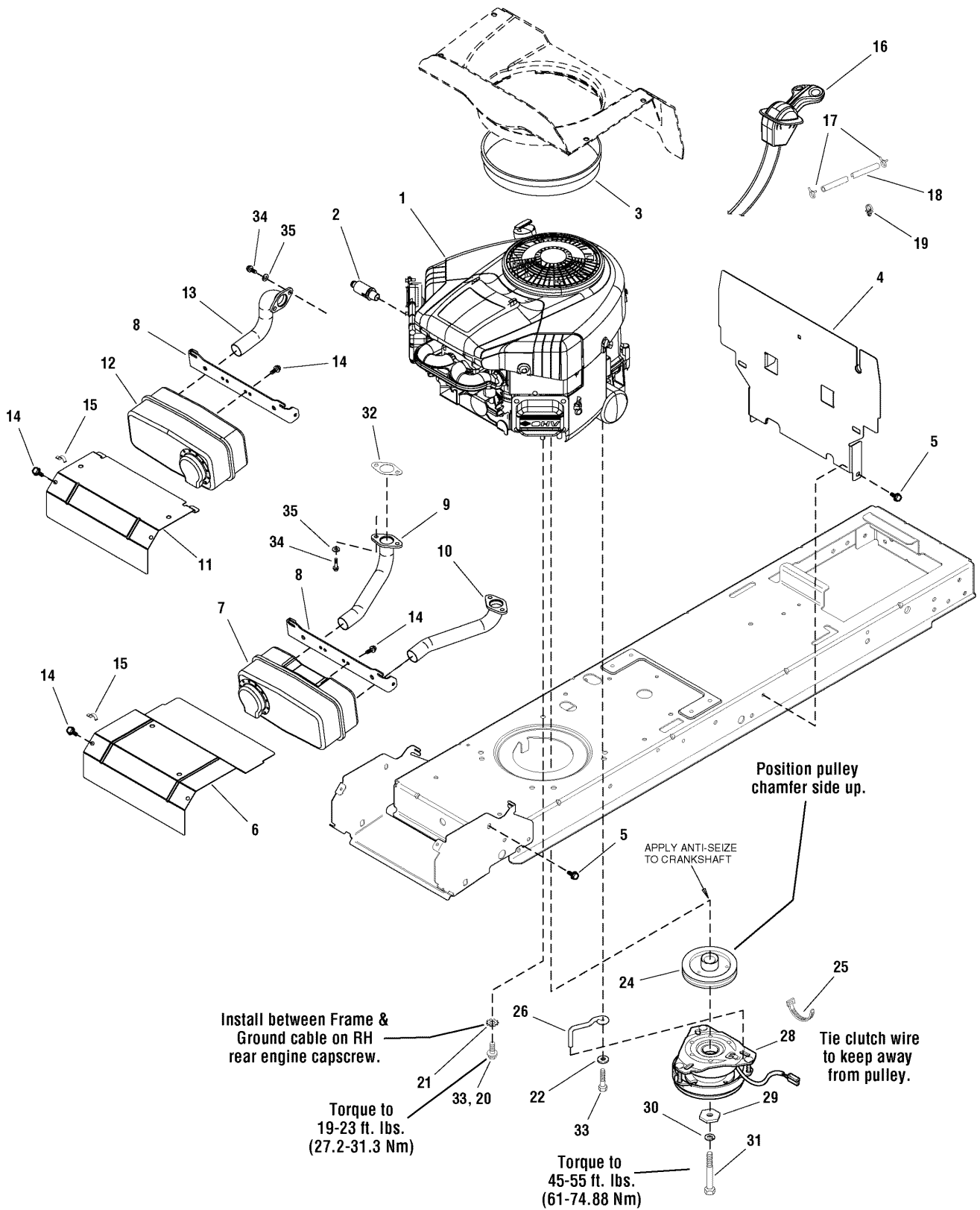
Footnotes:



Transmission Group

Item	Part No	Qty	Description	Note
1	1664847	1	CAPSCREW, Hex Head, Taptite, 5/16-18 x 3/4	
2	1931277	8	NUT, Hex, Flange Whizlock, 5/16-18	
3	1728120	1	ROD, Bypass, 11.44 LG Yellow	
4	1722460	2	PIN, Quick	
5	1960686	1	NUT, Hex Flange, 5/16-18 ESNA	
6	1727903A	2	SUPPORT, Transmission	
7	1930591	4	CAPSCREW, Hex Head, Flange Whiz Lock, 5/16-18 x 3/4	
8	1729588	1	TRANSMISSION ASSEMBLY, K46	
8	1729589	1	TRANSMISSION ASSEMBLY, K46HD	<i>(Used with 22" Tire Models)</i>
9	1960586	4	SCREW, Hex Head Flange Lock, 5/16-18 x 2-1/2	
10	1960686	1	NUT, Hex Flange, 5/16-18 ESNA	
11	1666697	1	SPACER	
12	1728008	1	V-BELT, Drive Belt, Aramid/Kevlar	
13	1727258A	1	ARM, Control 7GA	
14	1919326	1	WASHER, Flat, 5/16	
15	1921333	1	CAPSCREW, Hex Head, 5/16-18 x 1	
16	1728043A	1	STRAP, Torque 7 GA	
17	1919381	1	WASHER, Plain, 5/16	
18	1922127	1	CAPSCREW, Hex Head, 5/16-18 x 1-3/4	

Footnotes:

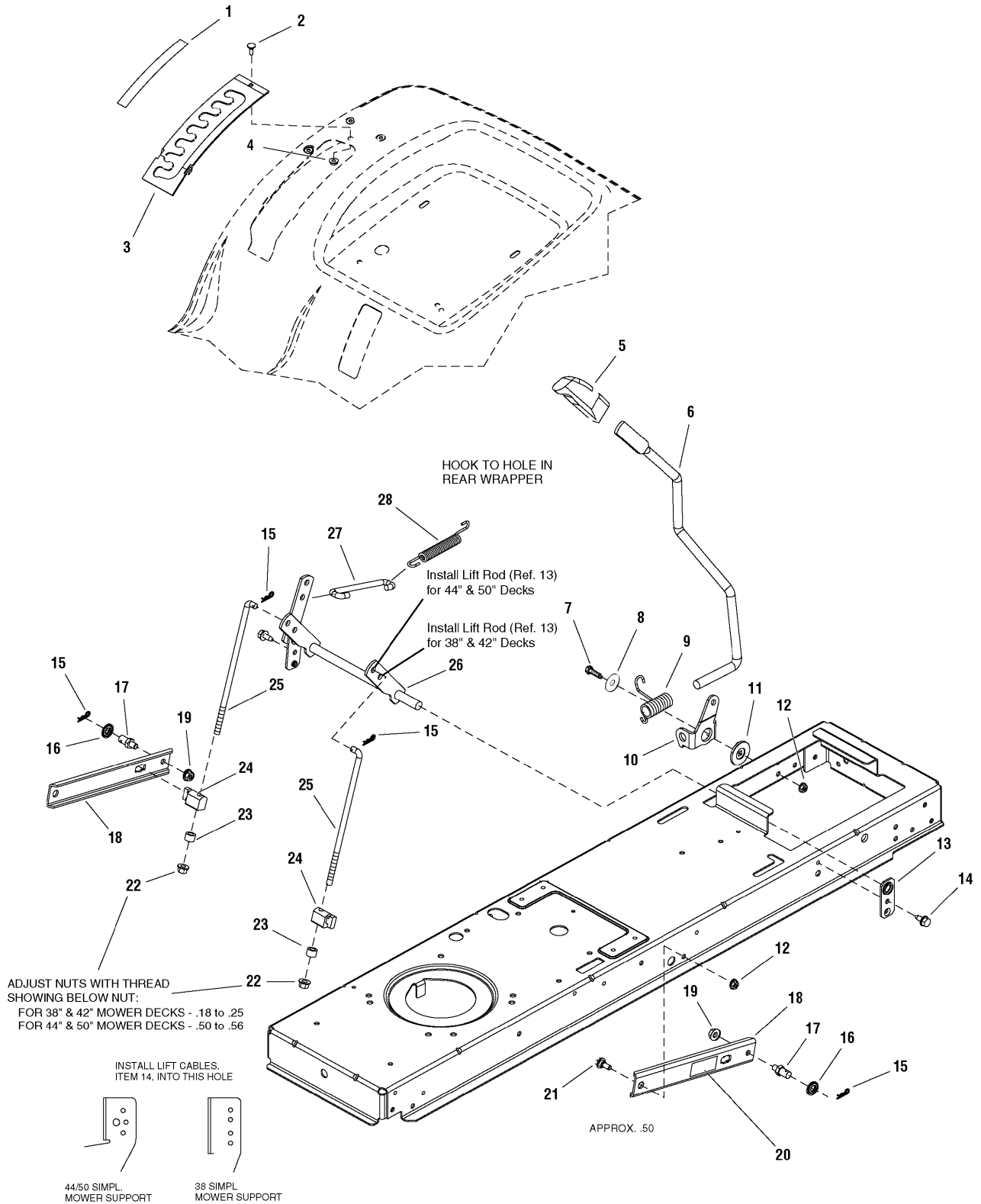


Engine Group

Item	Part No	Qty	Description	Note
1	--	1	* ENGINE, 18.5HP Briggs & Stratton Intek, Mod. #31Q777-0113-B1	
1	--	1	* ENGINE, 20HP Briggs & Stratton Twin Inte, Mod. #40G777-0400-E1	
1	--	1	* ENGINE, 22HP Briggs & Stratton Twin Intek, Mod. #44K777-0115-E1	
2	1717473	1	VALVE, Shut Off Oil Drain	
3	1731970	1	SEAL, Short	
3	1731971	1	SEAL, Long	(B&S Single)
4	1728058A	1	SHIELD, Heat	
5	1930601	4	SCREW, Hex Washer Head Taptite 5/16-18 x 5/8	
6	1727997A	1	SHIELD, Heat	(B&S Twin)
7	1727994	1	MUFFLER	(B&S Twin)
8	1727976A	1	BRACKET, Muffler Mount	
9	1727979	1	PIPE, Exhaust R.H.	(B&S Twin)
10	1727980	1	PIPE, Exhaust L.H.	(B&S Twin)
11	1727996A	1	SHIELD, Heat	
12	1727993	1	MUFFLER	
13	1728959	1	PIPE, Exhaust	(B&S Single)
14	1925003	4	SCREW, Hex Washer Head Taptite 1/4-20 x 1/2	
15	2834683	1	CLIP, Speed Wire	
16	1731410	1	CONTROL, Throttle Double	(B&S Single)
16	1731411	1	CONTROL, Throttle Double	(B&S Twin)
17	2860112	2	CLAMP, Hose	
18	1732001	1	HOSE, Fuel	
19	1730268	2	CLIP, Hose	
20	2827187	3	SCREW, Hex Washer Head Taptite 3/8-16 x 1	(B&S Single)
21	2820427	1	LOCKWASHER, External Tooth 3/8	
22	1924940	1	WASHER, 3/8	
24	1732576	1	PULLEY & HUB ASSEMBLY, Engine	
25	1701011	1	TIE, Self Locking	
26	1732875	1	RETAINER, Clutch	
28	1731275	1	CLUTCH, Electric OGURA	
29	1708264	1	WASHER, Hex	
30	1918199	1	LOCKWASHER, Spring	
31	1960649	1	CAPSCREW, Hex Head 7/16-20 x 3-1/2 G5	
32	1731214	1	GASKET, Exhaust	
33	2828635	4/1	SCREW, Hex Washer Head Taptite 3/8-16 x 1-1/4	
34	1936228	2	CAPSCREW, Hex Socket Head 5/16-18 x 3/4 G8	
35	1917356	2	LOCKWASHER, Spring 5/16	

Footnotes:

NOTE* See your local Briggs & Stratton distributor for parts and service.

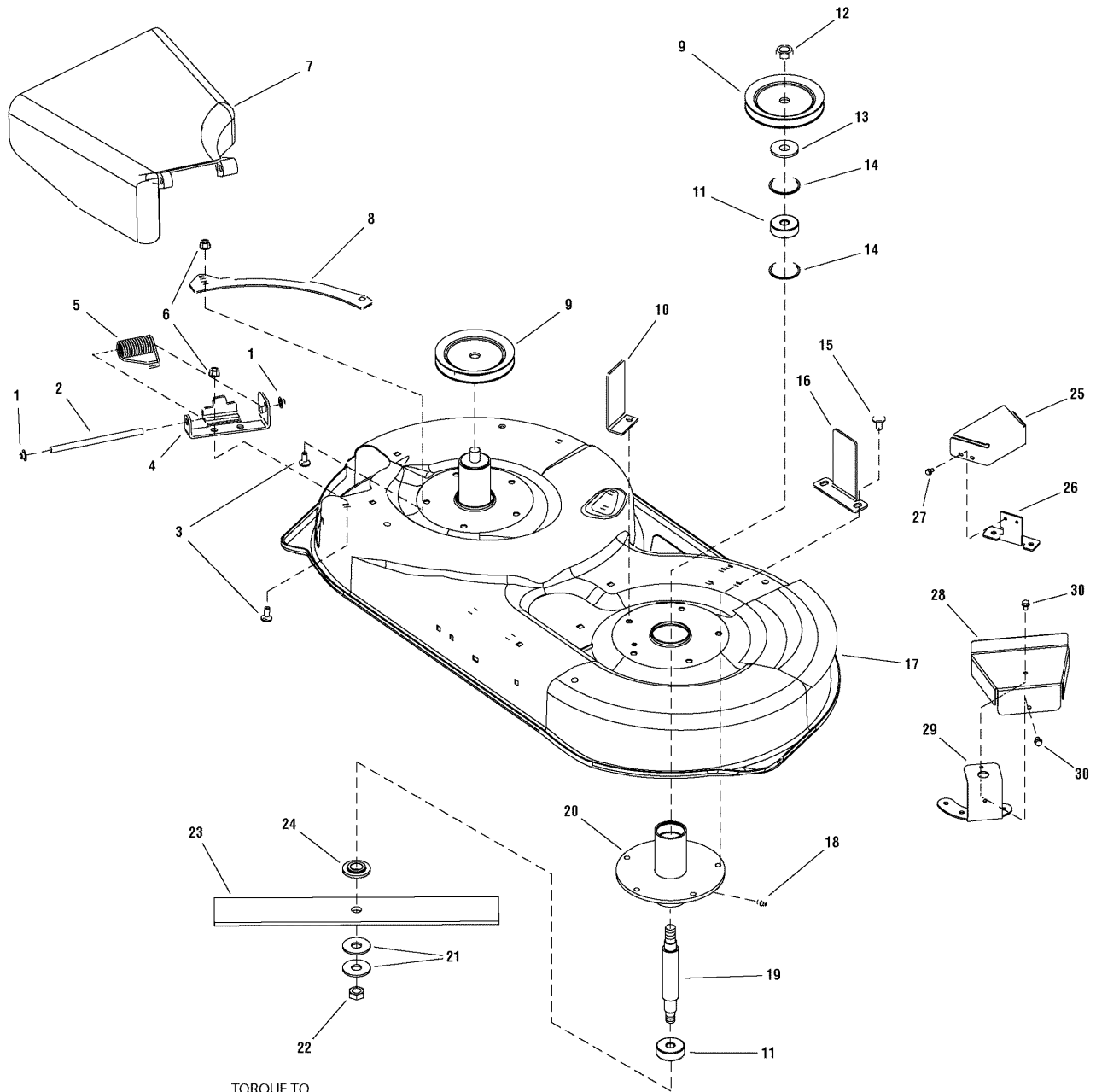


Lift Group - Manual

Item	Part No	Qty	Description	Note
1	1730264	1	DECAL, Height Of Cut	
2	1960252	1	CARRIAGE BOLT, 1/4-20 x 5/8 G5	
3	1727985A	1	QUADRANT, Lift Height 12GA	
4	1930641	1	NUT, Hex Flange Whiz, 1/4-20	
5	1722302	1	GRIP	
6	1728070	1	ROD, Lift Handle E-Coat, 17.7 LG	
7	1921333	1	CAPSCREW, Hex Head, 5/16-18 x 1	
8	1960044	1	WASHER, Plain, 21/64 x 1-1/4	
9	1729652	1	SPRING, Torsion, 2.12 LG Black	
10	1728990A	1	CLEVIS, Lift 7GA	
11	1727935	1	SPACER, Pivot Powdered Metal	
12	1931277	3	NUT, Hex, Flange Whizlock, 5/16-18	
13	1727911A	1	PLATE, Bearing	
14	1930601	2	SCREW, Taptite, 5/16-18 x 5/8	
15	1960074	4	CLIP, Spring	
16	1960170	2	WASHER, 1/2	
17	2721135	2	PIN, Threaded Shoulder	
18	1731417A	2	ARM, Lift Rear 10GA	
19	1928352	2	NUT, Hex, Flange, Whizlock, 5/16-18 x 1/2	
20	1732070	2	DECAL, CAUTION! Pinch Point	
21	1732426	2	BOLT, Shoulder	
22	1960687	2	NUT, Hex Flange, 3/8-16 ESNA	
23	1656397	2	SPACER	<i>(Used on 38" & 42" Mower Decks)</i>
23	1666294	2	SPACER	<i>(Used on 44" & 50" Mower Decks)</i>
24	1731894	2	TRUNNION, Powdered Metal	
25	1727955	2	ROD, Lower Life, 10.00 LG	
26	1727951A	1	SHAFT ASSEMBLY, Lift	
27	1727954	1	ROD, Lift, 5.43 LG	
28	1731939	1	SPRING, Extension 5.10 LG Black	<i>(Used on 44" & 50" Mower Decks)</i>

Footnotes:

38" & 42" Mower Deck - Housing, Arbors & Blades Group



TORQUE TO
80-90 FT/LBS
108.8-122.4 Nm

38" & 42" Mower Deck - Housing, Arbors & Blades Group

Item	Part No	Qty	Description	Note
1	1960093	2	NUT, Push, 3/8	
2	721371	1	ROD, Deflector	
3	1931333	6	BOLT, Carriage, 5/16-18 x 3/4	
4	721369A	1	BRACKET, Hinge 9GA	
5	720154	1	SPRING, Torsion	
6	1931277	6	NUT, Hex, Flange Whizlock, 5/16-18	
7	721339	1	DEFLECTOR & SUPPORT ASSEMBLY, Chute Riveted	
8	720911A	2	PLATE, Rear	(38" Only)
8	721083A	2	PLATE, Rear	(42" Only)
9	1732952	2	PULLEY, 5.25	(38" Only)
9	1732354	2	PULLEY, 5.50	(42" Only)
9	1734064	2	PULLEY, 7.00	(42" Only) (CE/Export)
10	1731209A	1	UPSTOP, "L" 10GA	
11	2108202	2	BEARING, Upper	
12	1922014	2	NUT, Hex Lock, ESNA Light, 5/8-18, Thin	
13	7072440	2	SPACER, Pulley, 38" Deck	
14	7012491	2	RETAINING RING, Extension, 1-3/4	
15	1923683	10	SCREW, Hex, Washer Head, Taptite, 3/8-16 x 3/4	
16	1732555A	1	UPSTOP, "L" 10GA	(38" Only)
17	1687207	1	HOUSING, 42"	(42" Only)
17	1687206	1	HOUSING, 38"	(38" Only)
18	1704314	1	FITTING, Grease	
19	7072537	1	SHAFT, Spindle, 38" Deck	
20	1731372Z	1	TUBE & PLATE ASSEMBLY, Spindle	
21	7024467	4	WASHER, Belleville	
22	7091633	2	NUT, Hex 9/16-18	
23	1731898A	2	BLADE, Mower 42"	(42" Only)
23	1731914	2	BLADE, Mower 38"	(38" Only)
24	1731917	2	WASHER, Spindle Blade Powdered Metal	
25	1733888A	2	COVER, Spindle	(38" Only) (CE/Export)
26	1733889A	3	SUPPORT, Spindle Cover	(38" Only) (CE/Export)
27	1925003	6	SCREW, Tapitite 1/4-20 x 1/2	(38" Only) (CE/Export)
28	1734035A	2	COVER, Pulley	(42" Only) (CE/Export)
29	1734039A	2	SCREW, Taptite 5/16-20 x 1/2	(42" Only) (CE/Export)
30	1924856	4	LOCKWASHER, Interior Tooth 5/8	(42" Only) (CE/Export)

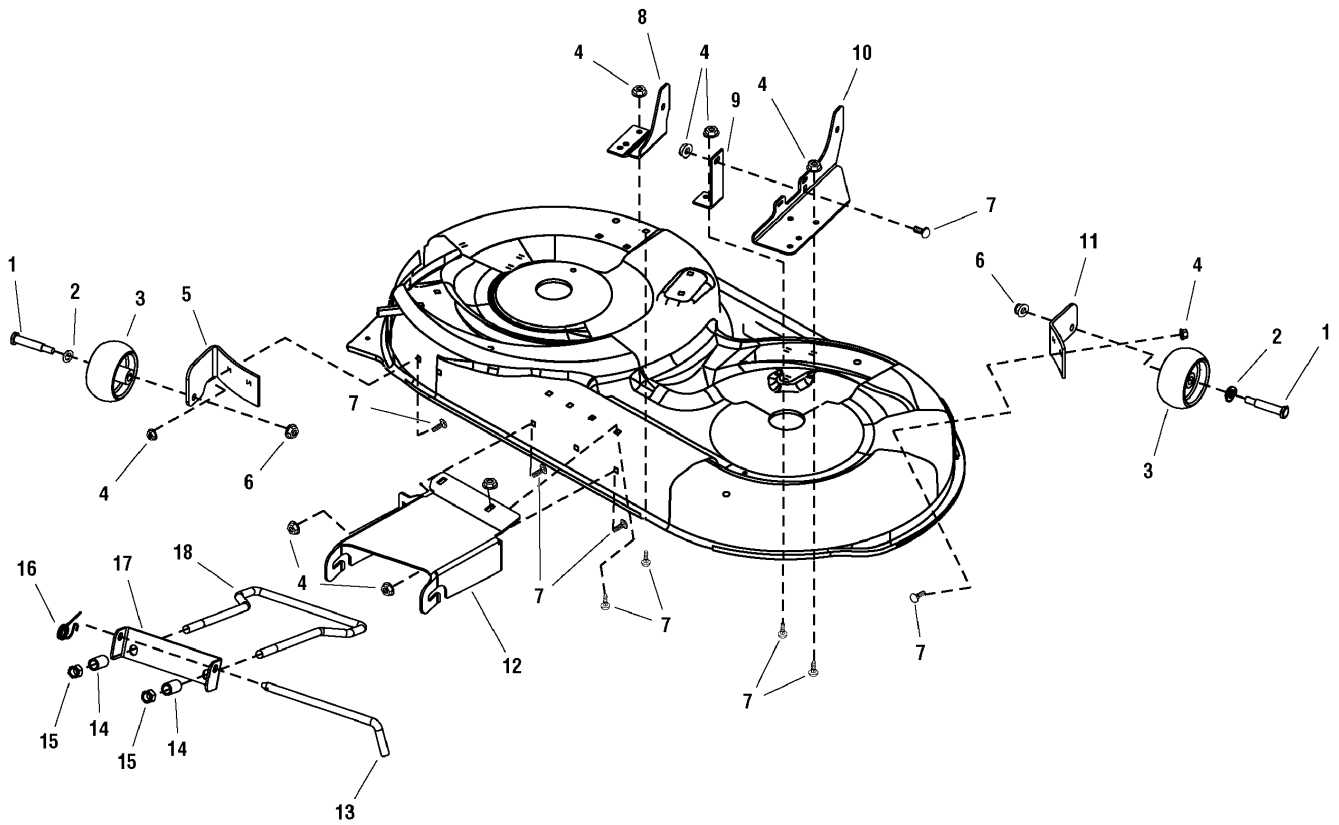
Footnotes:

38" & 42" Mower Deck - Belt, Idler Arm & Hitch Group

Item	Part No	Qty	Description	Note
1	1677135A	1	GUARD, Spring	(Used on Kevlar Belts)
1	1732884A	1	GUARD, Spring	(Used on A-Wedge Aramid Belts)
2	2860361	1	CAPSCREW, Hex Washer Head, Taptite, 3/8-16 x 2	
3	1924356	1	WASHER, Plain, 13/32 x 1-1/2 x 1/8	
4	1731944A	1	ARM	
5	1729007	1	SPACER, 0.387 ID x 1-1/2 OD x 1.04 LG Powdered Metal	
6	1922130	1	CAPSCREW, Hex Head, 3/8-16 x 2-1/4	
7	1922755	4	WASHER, 3/8	
8	7018574	2	IDLER, Flat	
9	1931277	2	NUT, Hex, Flange Whizlock, 5/16-18	
10	1921971	1	CAPSCREW, Hex Head, 3/8-16 X 1-3/4	
11	1731911A	1	SUPPORT, Idler	
12	1931211	2	NUT, Whizlock, 3/8-16	
13	1731311	1	SPRING, Extension 07.75 LG Black	
14	1960339	1	NUT, 3/8-16, Hex Flange MAC Locking Large, Black	
15	1931333	2	BOLT, Carriage, 5/16-18 x 3/4	
16	1732204	1	V-BELT, 91.10 LG Kevlar	
16	1732205	1	V-BELT, 94.45 LG Kevlar	
16	1733217	1	V-BELT, 91.10 LG A-Wedge Aramid	
16	1732955	1	V-BELT, 94.45 LG A-Wedge Aramid	

Footnotes:

38" & 42" Mower Deck - Height Adjustment & Roller Bar Group

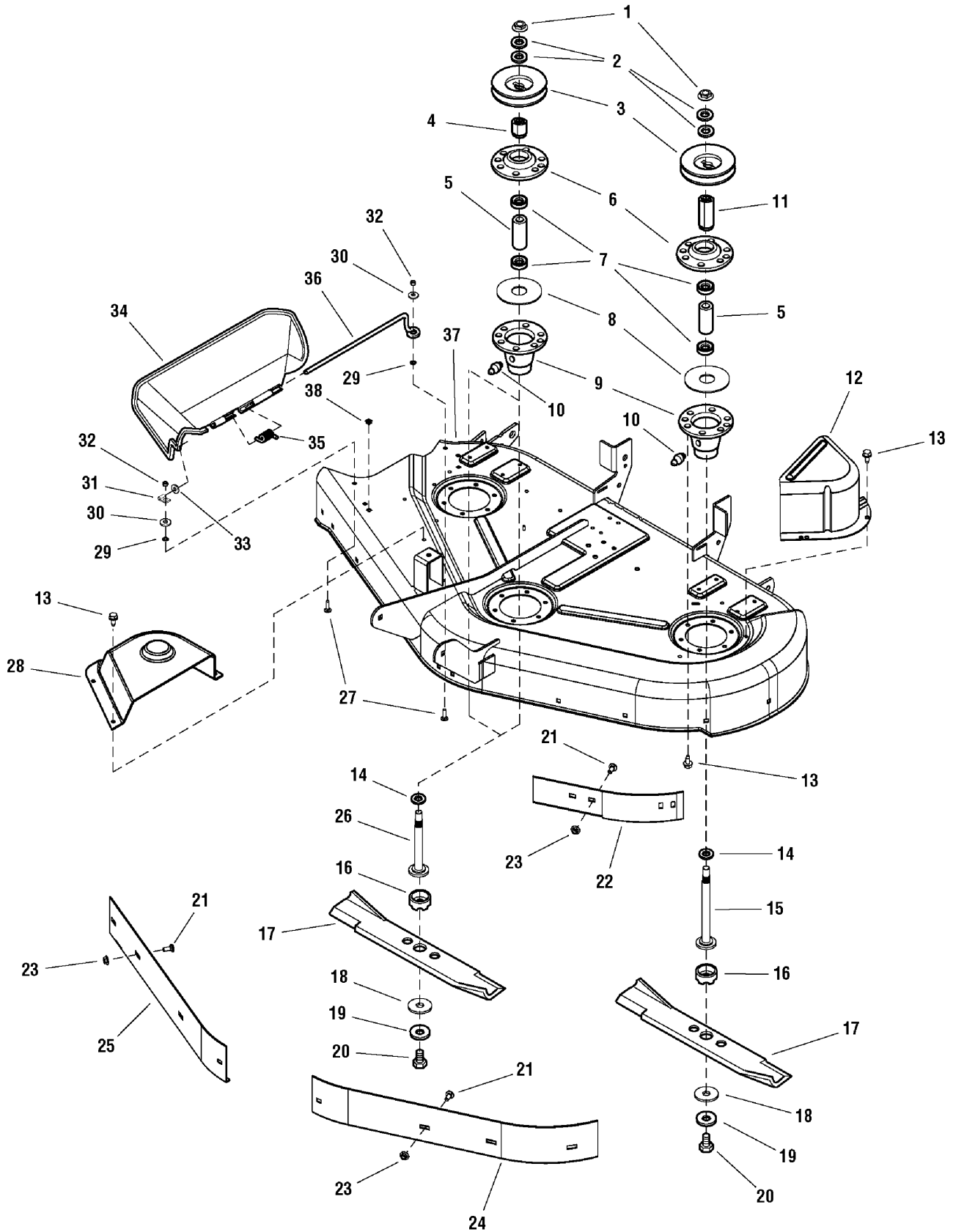


38" & 42" Mower Deck - Height Adjustment & Roller Bar Group

Item	Part No	Qty	Description	Note
1	2108765	2	BOLT, Rear Wheel	(42" Only)
2	1960170	2	WASHER, 1/2	(42" Only)
3	1714760	2	WHEEL, Gauge	(42" Only)
4	1931277	11	NUT, Hex, Flange Whizlock, 5/16-18	(38" Only)
4	1931277	13	NUT, Hex, Flange Whizlock, 5/16-18	(42" Only)
5	1731402A	1	SUPPORT, Gauge Wheel RH 7 GA	(42" Only)
6	1960687	2	NUT, Hex Flange, 3/8-16 ESNA	(42" Only)
7	1931333	11	BOLT, Carriage, 5/16-18 x 3/4	(38" Only)
7	1931333	13	BOLT, Carriage, 5/16-18 x 3/4	(42" Only)
8	1730072D	1	SUPPORT, Mower RH	
9	1730201D	1	BRACE, Mower Support	(38" Only)
10	1730071D	1	SUPPORT, Mower LH	
11	1731403A	1	SUPPORT, Gauge Wheel LH 7 GA	(42" Only)
12	1731967D	1	HITCH, Front 38" Mower	
12	1731966D	1	HITCH, Front 42" Mower	
13	1731414	1	PIN, Hitch	
14	1679166	2	SPACER, .532 ID x 3/4 OD x 1-1/4 LG Yellow	
15	1960379	2	NUT, ESNA, Lock, 1/2-13 (Thin)	
16	2176012	1	CLIP, Pin, Safety	
17	1730221A	1	HANGER, Front Mower	
18	1730097	1	ROD, Bail Mowers Yellow	

Footnotes:

44" Mower Deck - Housing, Arbors & Blades Group

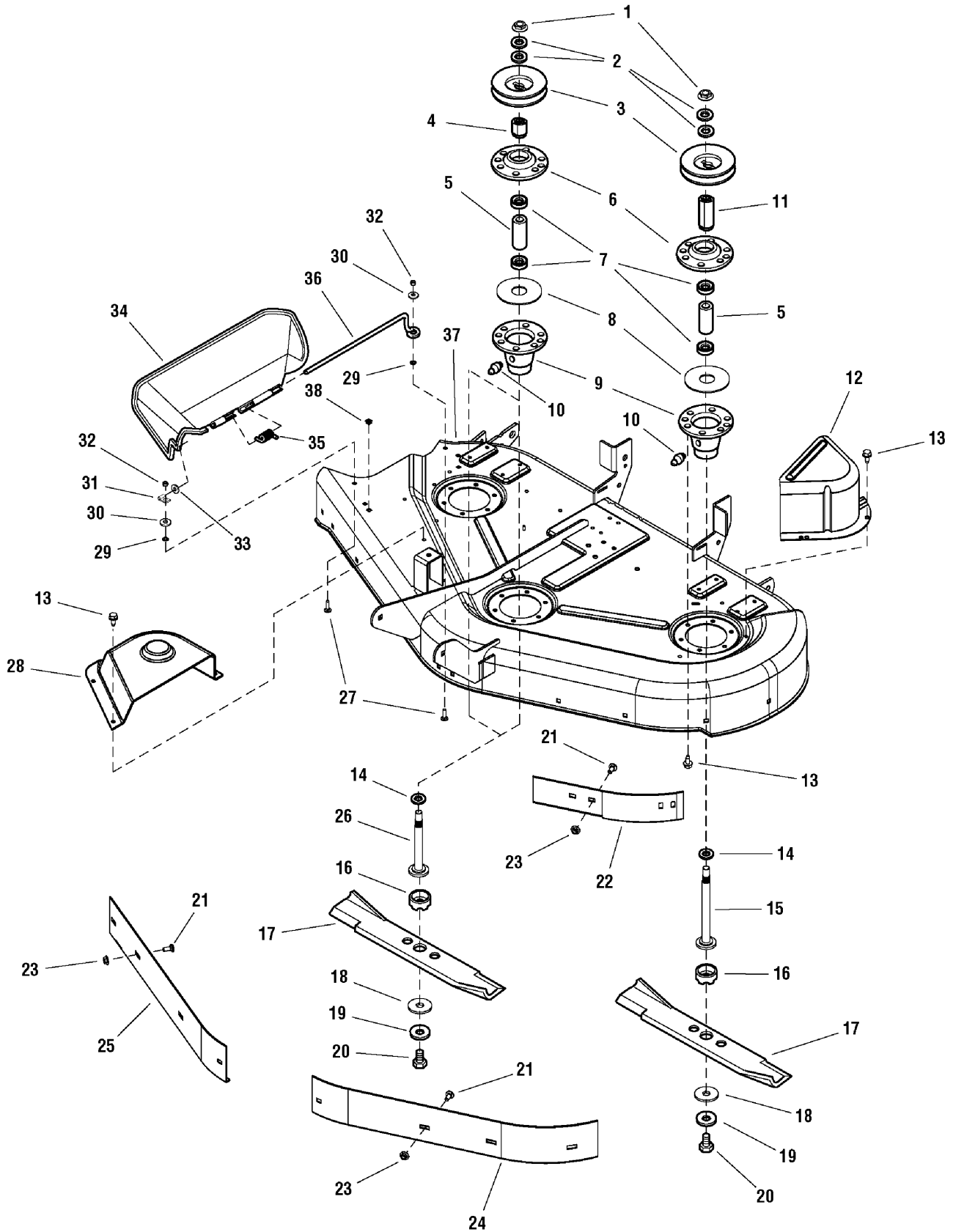


44" Mower Deck - Housing, Arbors & Blades Group

Item	Part No	Qty	Description	Note
1	1714419	3	NUT, Hex, Flange, 9/16-8	
2	1713675	6	WASHER, Belleville	
3	1713098	3	PULLEY, RH Arbor & LH Arbor, 4-1/4	
4	1713613	2	HUB, Pulley, RH	(Middle)
5	1713204	3	SPACER	
6	1713199A	3	COVER, Arbor Housing	
7	1705897	6	BEARING	
8	1707335	3	GASKET, Foam	
9	1713338A	3	HOUSING, Arbor Bottom, w/Lube Fitting	
10	1704314	1	FITTING, Grease	
11	1713616	1	HUB, Adapter, LH	
12	1720560A	1	COVER, Arbor	
13	1664847	29	CAPSCREW, Hex Head, Taptite, 5/16-18 x 3/4	
14	1713619	3	WASHER	
15	1713612	1	SHAFT, Arbor	
16	1713196	3	SHIELD, Grass, Lower	
17	1704100	3	BLADE, 44"	
18	1713089	3	WASHER, Hex	
19	1656916	3	WASHER, Spring	
20	2823471	3	CAPSCREW, Hex Head, 7/16-14 x 1-1/4	
21	1931333	2	BOLT, Carriage, 5/16-18 x 3/4	
21	1931333	8	BOLT, Carriage, 5/16-18 x 3/4	(CE Only)
22	1724538A	1	BAFFLE, Anti-Blowout	
23	1931277	2	NUT, Hex, Flange Whizlock, 5/16-18	
23	1931277	8	NUT, Hex, Flange Whizlock, 5/16-18	
24	1716879A	1	BAFFLE, Blowout LH, 44"	(CE Only)
25	1731990A	1	BAFFLE, Blowout RH, 44"	(CE Only)
26	1713609	2	SHAFT, Arbor, RH	
27	1960698	2	CARRIAGE BOLT, 1/4-20 x 1, Black	
28	1715673	1	COVER, Arbor, RH	
29	1960518	2	NUT, Push On	
30	1960353	2	WASHER, Plain, 1/4 (6 Total for Export)	
31	1704873	1	CLAMP	
32	1920397	2	NUT, Hex Lock, ESNA, 1/4-20	
33	1919326	1	WASHER, Flat, 5/16	
34	1705449	1	DEFLECTOR, Plastic	
35	1723938	1	SPRING	

Footnotes:

44" Mower Deck - Housing, Arbors & Blades Group

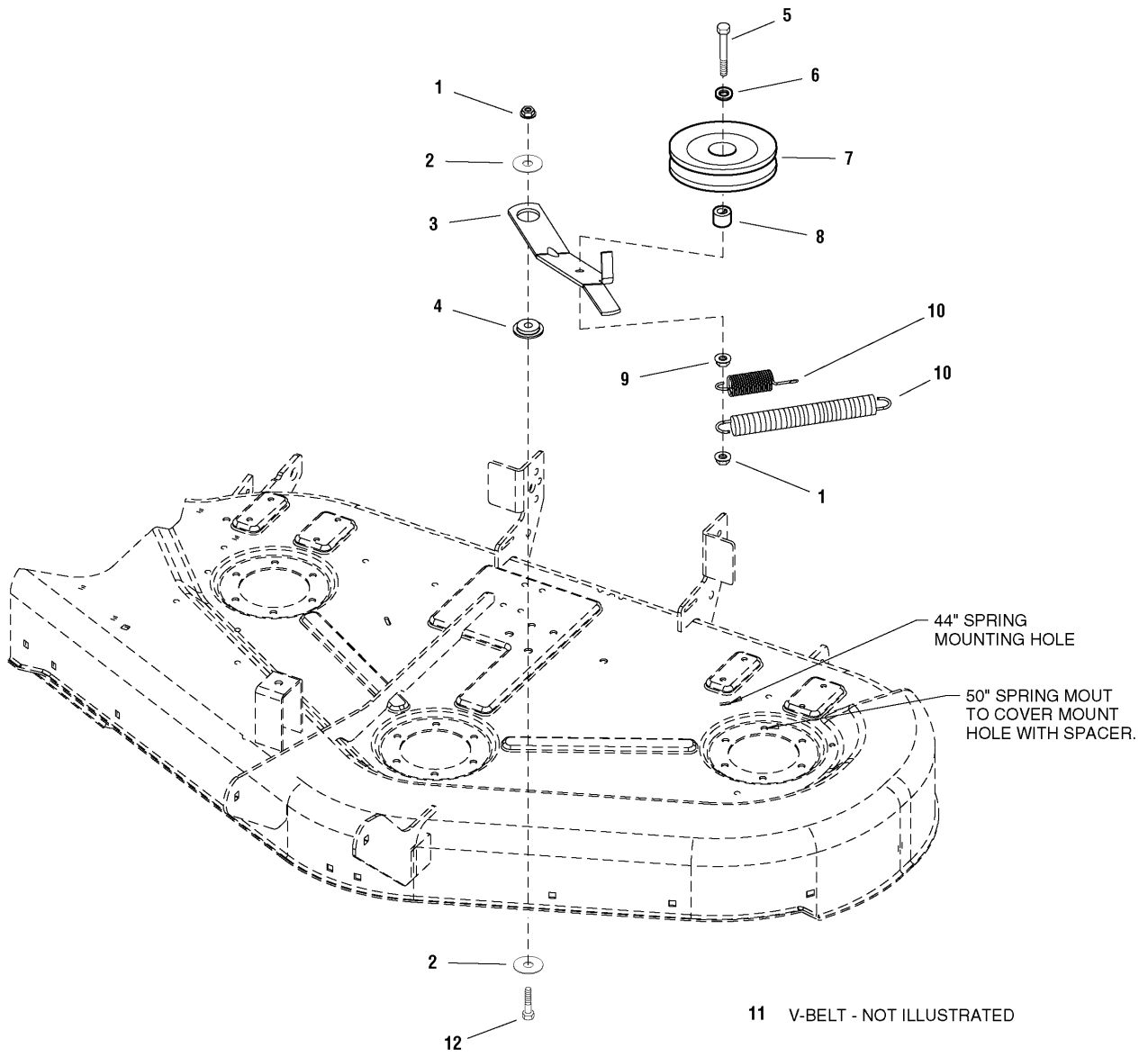


44" Mower Deck - Housing, Arbors & Blades Group

Item	Part No	Qty	Description	Note
36	1706709A	1	ROD, Deflector, Front	
37	1729597D	1	HOUSING ASSEMBLY, 44" Mower Frame Mount	
38	1705115	1	PLUG, Plastic	(Not Shown)

Footnotes:

44" & 50" Mower Deck - Belt, Idler Arm & Hitch Group

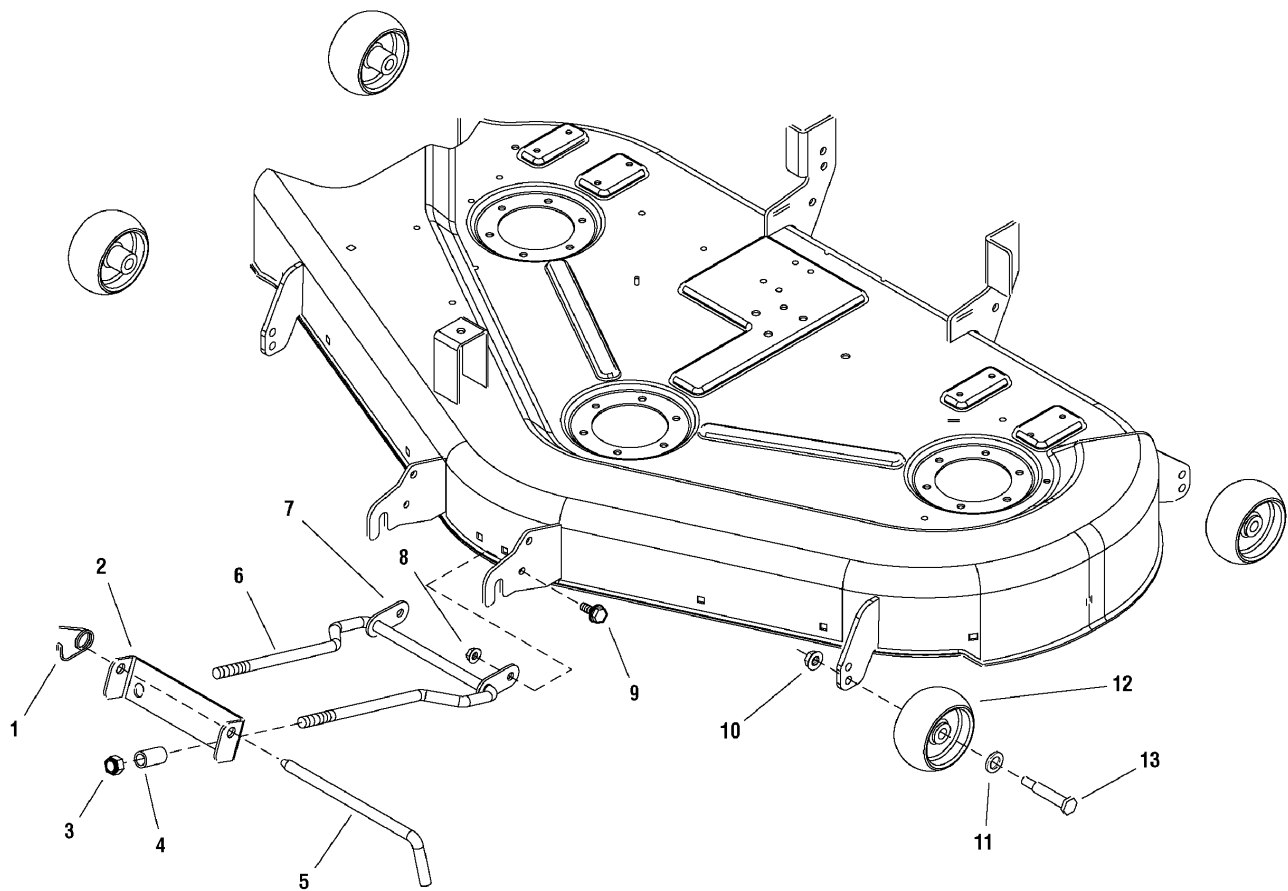


44" & 50" Mower Deck - Belt, Idler Arm & Hitch Group

Item	Part No	Qty	Description	Note
1	1960339	2	NUT, Hex Flange Center Locking, 3/8-16	
2	1924356	2	WASHER, Plain, 13/32 x 1-1/2 x 1/8	
3	1730090A	1	ARM, Idler 7GA	
4	1714255	1	SPACER	
5	1921972	1	CAPSCREW, Hex Head, 3/8-16 x 2-1/2	
6	1924940	1	WASHER, 3/8	
7	2171247	1	PULLEY ASSEMBLY	
8	1667812	1	SPACER	
9	1931211	1	NUT, Whizlock, 3/8-16	
10	1656936	1	SPRING, Extension, Idler Arm	(44" Mower Deck)
10	1715435	1	SPRING, Extension, Idler Arm	(50" Mower Deck)
11	1729627	1	V BELT, Arbor Drive, 44"	
11	1732409	1	V BELT, Arbor Drive, 44"	(CE Only)
11	1703466	1	V-BELT, Arbor Drive, 50"	
12	1922605	1	CAPSCREW, Hex Head, 3/8-16 x 1-1/4, G8	

Footnotes:

44" & 50" Mower Deck - Height Adjustment & Roller Bar Group

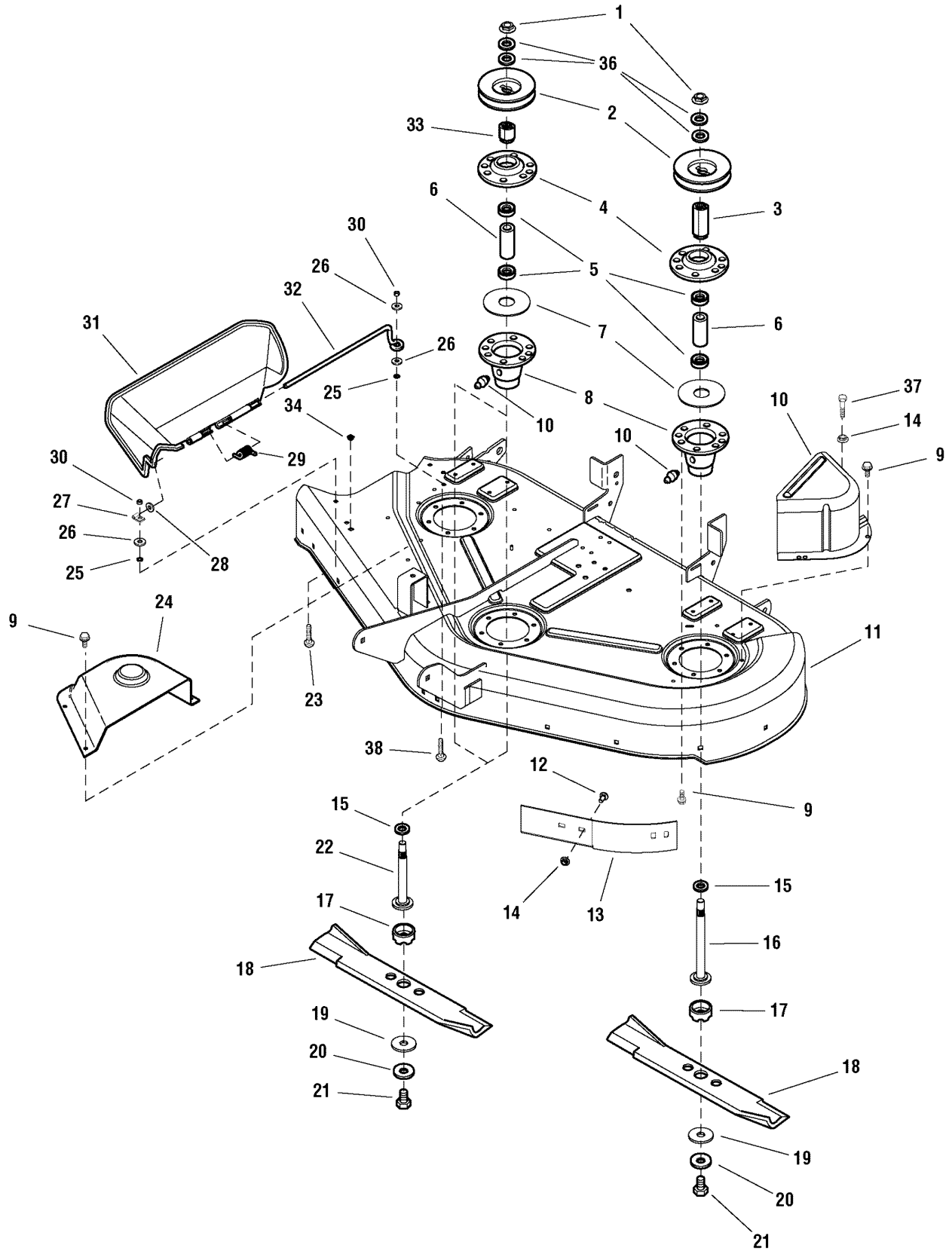


44" & 50" Mower Deck - Height Adjustment & Roller Bar Group

Item	Part No	Qty	Description	Note
1	2176012	1	CLIP, Pin, Safety	
2	1730221A	1	HANGER, Front Mower	
3	1960379	2	NUT, ESNA, Lock, 1/2-13 (Thin)	
4	1679166	2	SPACER	
5	1731414	1	PIN, Hitch	
6	1730097	1	ROD, Bail Mowers Yellow	
7	1731899A	2	PLATE, PIVOT Lock 10 GA	
8	1931277	2	NUT, Hex, Flange Whizlock, 5/16-18	
9	1930591	2	CAPSCREW, Hex Head, Flange Whiz Lock, 5/16-18 x 3/4	
10	1960687	4	NUT, Hex Flange, 3/8-16 ESNA	
11	1960170	4	WASHER, 1/2	
12	1714760	4	WHEEL, Gauge	
13	2108765	4	BOLT, Rear Wheel	

Footnotes:

50" Mower Deck - Housing, Arbors & Blades Group

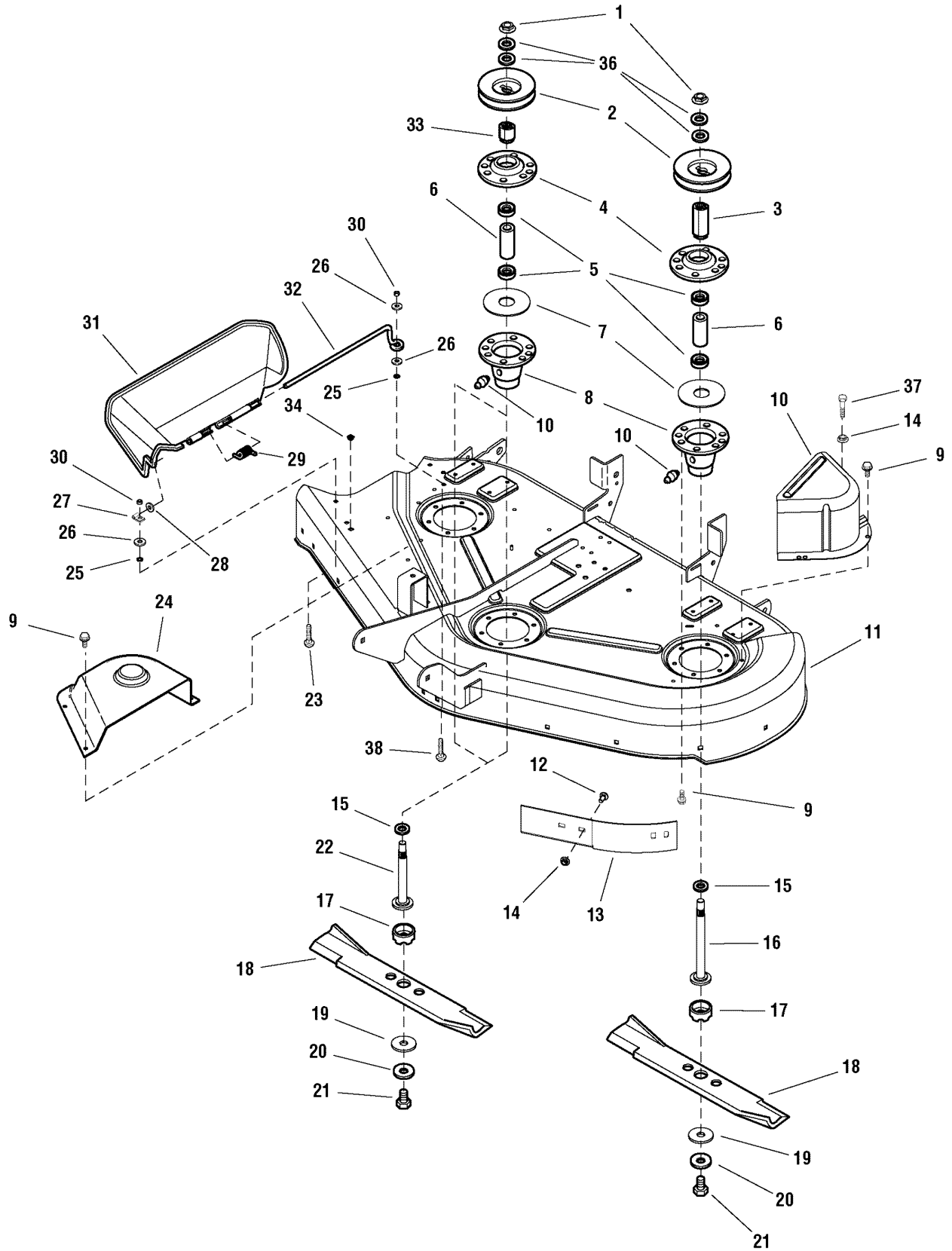


50" Mower Deck - Housing, Arbors & Blades Group

Item	Part No	Qty	Description	Note
1	1714419	3	NUT, Hex Flange 9/16-18	
2	1732951	3	PULLEY	
3	1713616	1	HUB	
4	1713199A	3	HOUSING, Arbor Top	
5	1705897	6	BEARING, Ball 11/16 x 9/16 x 15/32	
6	1732543	3	SPACER, Powdered Metal	
7	1707335	3	GASKET	
8	1713338A	3	HOUSING, Arbor Bottom w/Lube Fitting	
9	1664847	26	SCREW, Hex Washer Head Taptite 5/16-18 x 3/4	
10	1720560A	1	COVER, Arbor	
11	1728998D	1	HOUSING ASSEMBLY, 50" (Red)	
12	1931333	2	CARRIAGE BOLT, 5/16-18 x 3/4 G5	
13	1724538A	1	BAFFLE, Blowout, Short	
14	1931277	3	NUT, Hex Flange 5/16-18, Whiz Lock Small	
15	1713619	3	WASHER, Cup	
16	1713612	1	SHAFT, Arbor	
17	1713196	3	SHIELD, Grass Lower Arbor, Heat Treated	
18	1708229	3	BLADE, Mower	
19	1713089	3	WASHER, Hex 11/16 x 2	
20	1656916	3	WASHER, Spring	
21	2823471	3	CAPSCREW, Hex Head 7/16-14 x 1-1/4 G8	
22	1713609	2	SHAFT, Arbor	
23	1960698	1	CARRIAGE BOLT, 1/4-20 x 1 G5	
24	1715673	1	COVER, Arbor	
25	1960518	2	NUT, Push for 1/4 Diameter Thread	
26	1960353	4	WASHER, 1/4	
27	1704873	1	CLAMP, Wire	
28	1919326	1	WASHER, 5/16	
29	7101082	1	SPRING, Torsion, Chute	
30	1920397	2	NUT, Hex Lock ESNA Light 1/4-20	
31	1705449	1	DEFLECTOR	
32	1706709	1	ROD, Deflector	
33	1713613	2	HUB	
34	1705115	1	PLUG	
36	1713675	6	WASHER, Bellville	
37	1960730	1	SCREW, Hex Head Serange Flange Taptite 5/16-18 x 2	

Footnotes:

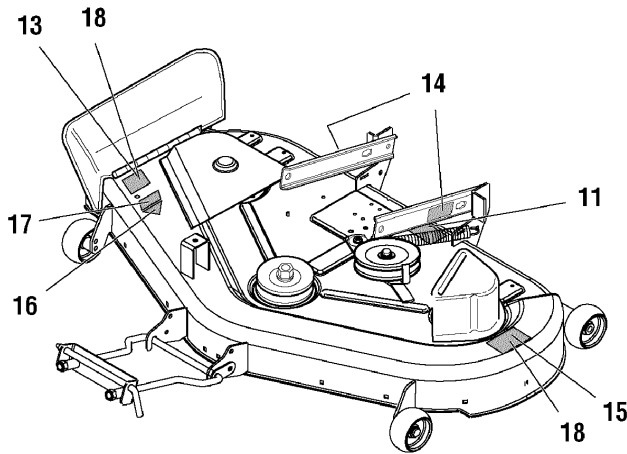
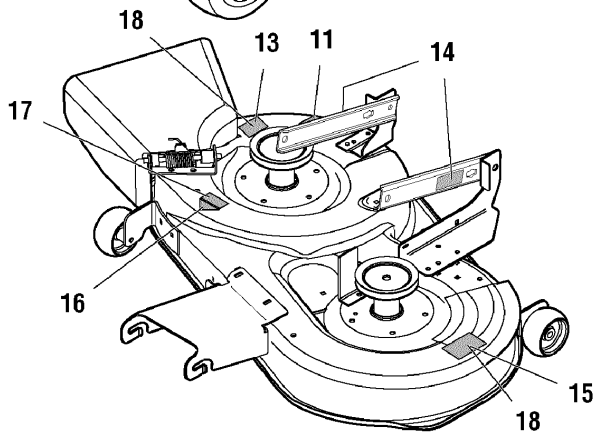
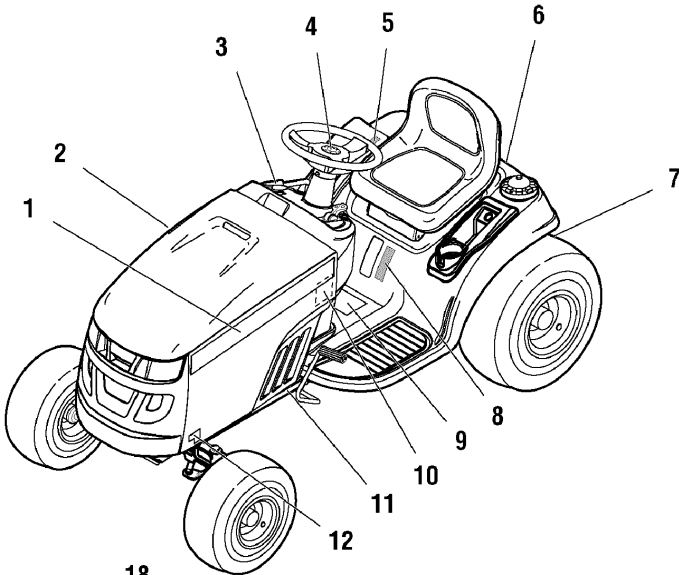
50" Mower Deck - Housing, Arbors & Blades Group



50" Mower Deck - Housing, Arbors & Blades Group

Item	Part No	Qty	Description	Note
38	1960633	1	CARRIAGE BOLT, 1/4-20 x 1-1/2 G5	

Footnotes:



7



WARNING

Avoid serious injury or death.

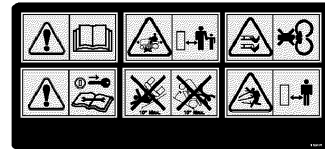
Read Operator's Manual (O) for all safety instructions. Do not drink alcohol or use drugs before operating. Do not operate if you are tired or under the influence of alcohol or drugs.

BRAKE

DANGER Operating on slopes can be dangerous. Use Operator's Manual (O) for correct back-up or hill. Do not drive on it.

DANGER Rotating blades cut off arms and legs. Stop Mower when children are near. No riders - They fall off.

Do not lean backward! Damage may result to transmission.



XXXXX TRACTORS DRIVE BELTS & MOWER BLADES

Transmission Shaft	
Case	XXXXXX
Hydra	XXXXXX
36" Mower	
Drive Belt	XXXXXX
Mower Blade - Left	XXXXXX
Mower Blade - Right	XXXXXX
48" Mower	
Drive Belt	XXXXXX
Mower Blade	XXXXXX
36" / 48" Ground-clear Drive Belt	XXXXXX

For safety and reliability, make any genuine Simplicity Manufacturing, Inc. belt and blade, and make stamped on the part to your convenience of quality.

5

8

10

CAUTION

Pinch Point

When installing or removing the mower deck, do not place hands between mower lift linkage and frame rail.

14

15

13

DANGER

ROTATING CUTTING BLADE

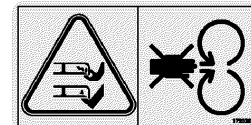
Do not operate mower without deflector or entire grass catcher in place.

DANGER

ROTATING CUTTING BLADE

Do not put hands or feet under mower deck while blade is rotating.

18

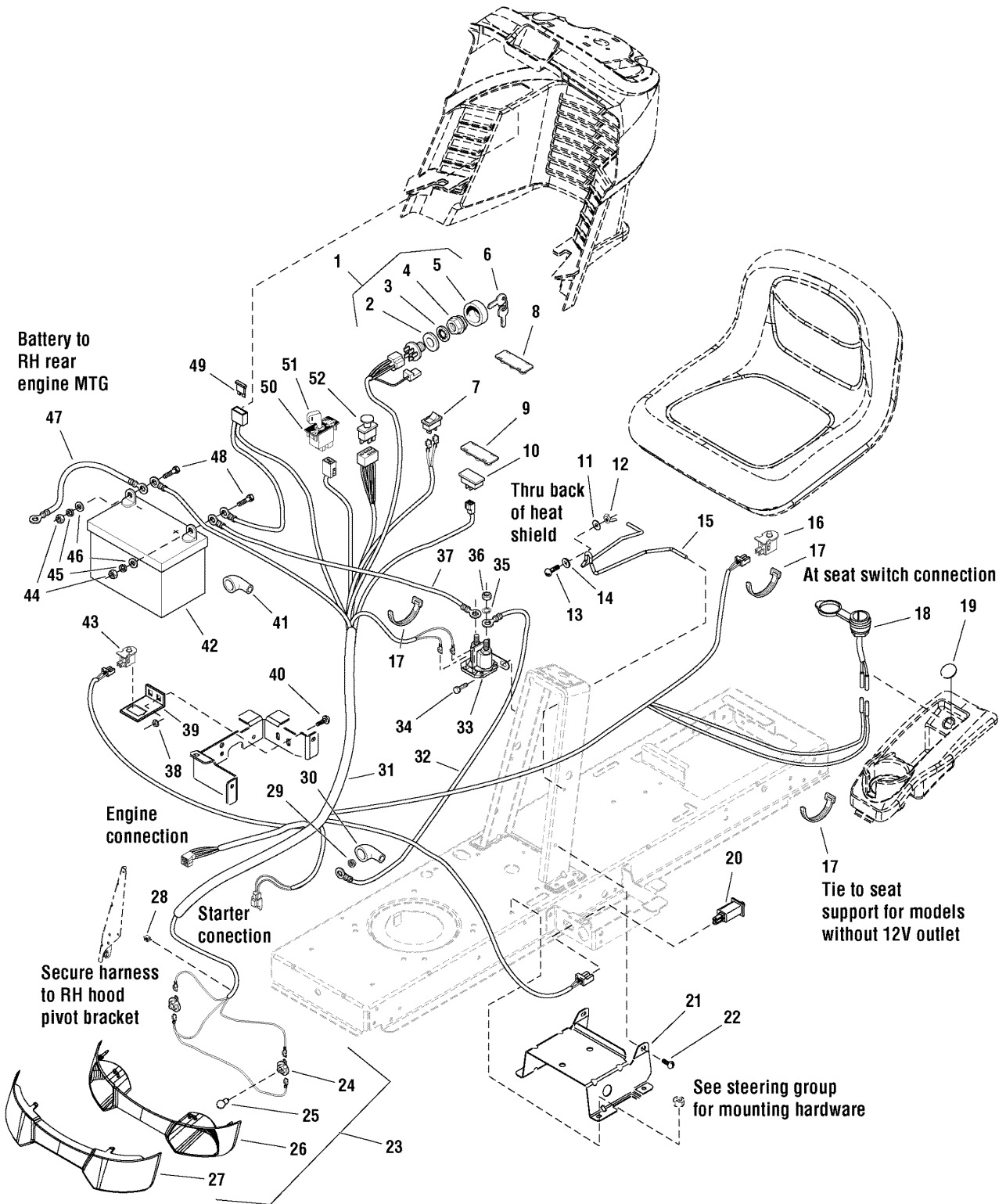


Decals Group

Item	Part No	Qty	Description	Note
1	1731392	1	DECAL, Snapper, LH Hood Stripe	
2	1731393	1	DECAL, Snapper, RH Hood Stripe	
3	1722806	1	DECAL, Ignition Switch Symbol, White/Black	
4	1731419	1	DECAL, Steering Wheel Icon	
5	1730264	1	DECAL, Height of Cut	
6	1731955	1	DECAL, Snapper Rear Stripe, Silver/ 8.5LG	
7	1730202	1	DECAL, Transmission Tow/ Release Lever	
8	1730172	1	DECAL, Fuel Level	
9	1730170	1	DECAL, Tunnel	
9	1723175	1	DECAL, Safety Instructions	(CE/Export)
9	1734027	1	DECAL, Safety Instructions	(Used only on ACS models)(CE/Export)
10	1733251	1	DECAL, Belts, Blades	
11	--	1	* DECAL, ID Plate	
12	1731927	1	DECAL, LT200 18.5HP	
12	1731928	1	DECAL, LT200 20HP	
12	1731929	1	DECAL, LT200 22HP	
13	1704277	1	DECAL, Danger, Chute in Place	
14	1732070	1	DECAL, Pinch Point	
15	1704276	1	DECAL, Danger, Hand Under Deck	
16	--	1	* DECAL, OPEI	
17	1722787	1	DECAL, 38"	
17	1731924	1	DECAL, 42"	
17	1722789	1	DECAL, 44"	
17	1722790	1	DECAL, 50"	
18	1720389	1	DECAL, Hand Under Deck	(CE/Export)

Footnotes:

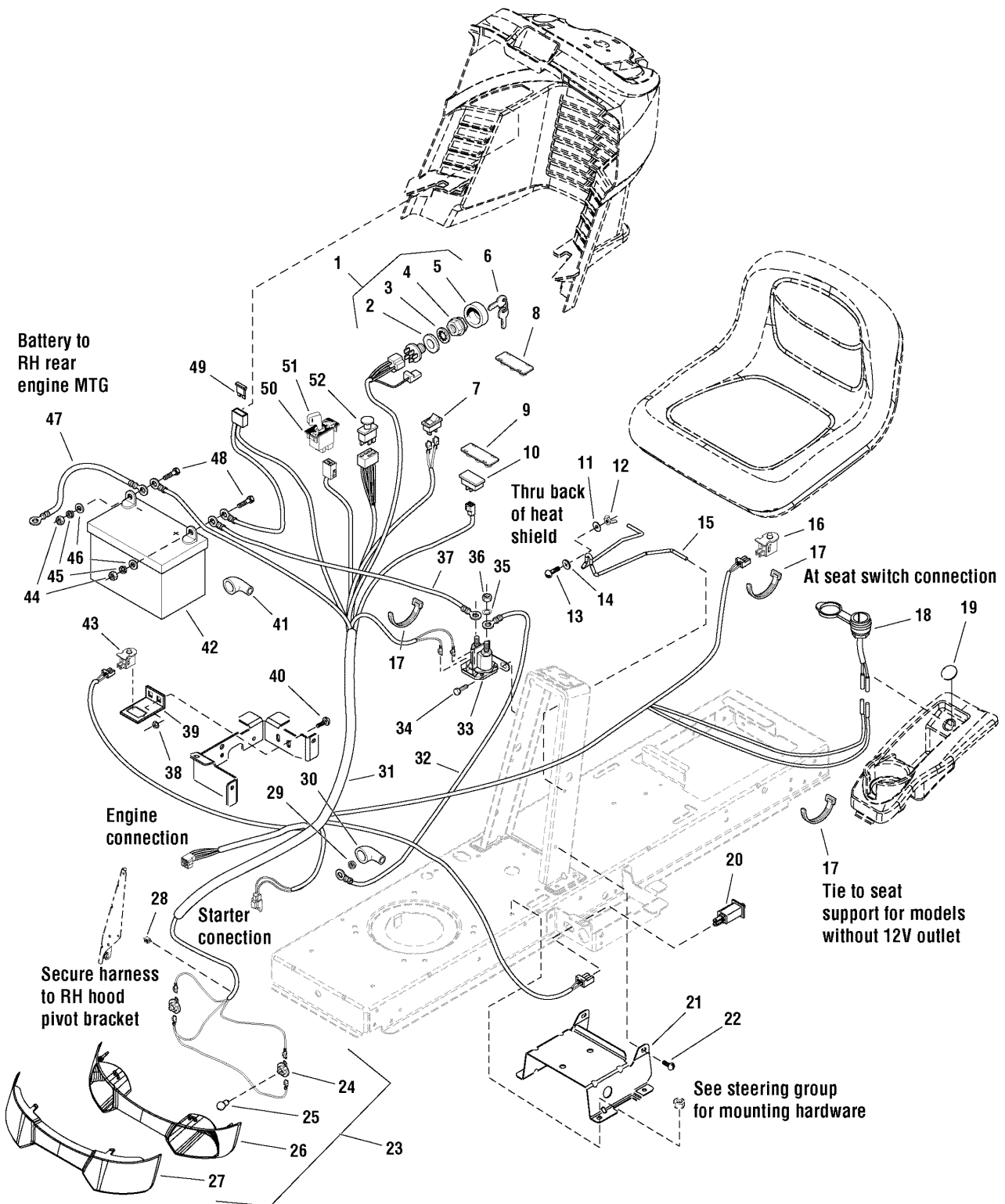
Note* Not a serviceable part.



Electrical Group

Item	Part No	Qty	Description	Note
1	1716061	1	SWITCH ASSEMBLY, Ignition, 6-Pole (Includes Ref. 2, 3, 4 & 5)	
2	2101025	1	WASHER, 5/8	
3	1960547	1	LOCKWASHER, Internal Tooth, 5/8	
4	1717549	1	NUT, Hex, Flange, 5/8-32	
5	1717550	1	COVER, Ignition	
6	1717163	1	IGNITION KEY (Set of 2)	
7	1716951	1	SWITCH, Headlights, 2 Terminal	
8	1722611	1	PLUG, Hole, Square	
9	1729993	1	PLUG, Hour Meter	(Kohler and B&S Single)
10	1728068	1	METER, Hour, LCD	(B&S V-Twin Only)
11	1960353	1	WASHER, Plain, 1/4 (6 Total for Export)	
12	2860293	1	NUT, Wing, 1/4-20	
13	1931318	1	CARRIAGE BOLT, 1/4-20 x 7/8	
14	1960518	1	NUT, Push On	
15	1730007	1	HOLD DOWN, Battery	
16	1732005	1	SWITCH, Push Button (NC)	
17	2825094	3	TIE, Self Locking 7-5/16	
18	7073090	1	OUTLET, 12 Volt DC Power	
19	1732007	1	PLUG, Hole Models W/O 12V Adapter	
20	1732006	1	SWITCH, Push Button (NO/NC)	
21	1727282A	1	SUPPORT, Battery 12 GA	
22	1930601	4	SCREW, Taptite, 5/16-18 x 5/8	
23	1727296	1	HEADLIGHT ASSEMBLY (Includes Ref. 24, 25, 26 & 27)	
24	1723451	2	SOCKET ASSEMBLY	
25	1677371	2	BULB, 1141-12V 21CP	
26	1728973	1	REFLECTOR, Headlight	
27	1728974	1	LENS, Headlight	
28	2834683	1	CLIP, Speed Wire	
29	1960294	1	NUT, Hex, Flange, 1/4-20	
30	1713535	1	COVER, Terminal	
31	1728097	1	HARNESS, Wiring	
32	1721830	1	CABLE, Solenoid to Starter	
33	1728963	1	SOLENOID	
34	1925003	2	SCREW, Taptite, 1/4-20 x 1/2	
35	2820426	2	LOCKWASHER, External Tooth, 5/16	
36	2820263	2	NUT, Hex, 5/16-24 NF	

Footnotes:



Electrical Group

Item	Part No	Qty	Description	Note
37	1716549	1	CABLE, #6 x 10 Long, with 2 Ring Terminals, Battery to Solenoid	
38	1931277	2	NUT, Hex, Flange Whizlock, 5/16-18	
39	1728026A	1	SUPPORT, RMO Switch	
40	1931333	2	CARRIAGE BOLT, 5/16-18 x 3/4	
41	1677296	1	BOOT, Insulator	
42	1722841	1	BATTERY	
43	1732004	1	SWITCH, Push Button (NO), Reverse Pedal	
44	2816622	2	NUT, Hex, Full, 1/4-20	
45	2816964	2	LOCKWASHER, 1/4	
46	2821319	2	WASHER, 1/4 I.D.	
47	1713163	1	CABLE, Battery to Ground	
48	2823341	2	CAPSCREW, Hex Head, 1/4-20 x 3/4	
49	1731957	1	FUSE, Wiring Harness	
50	1726556	1	NO-MOW MODULE	
51	1727185	1	KEY, w/Hang Tag for RMO Module	
52	1722887	1	SWITCH, PTO, Push/Pull Symbols	

Footnotes:

Parts Manual for

SNAPPER®

ELECTRIC CLUTCH HYDRO DRIVE RMO & ACS TRACTORS LT-200 SERIES

IT IS THE POLICY OF BRIGGS & STRATTON CORP TO IMPROVE ITS PRODUCTS WHENEVER IT IS POSSIBLE AND PRACTICAL TO DO SO. WE RESERVE THE RIGHT TO MAKE CHANGES OR ADD IMPROVEMENTS AT ANY TIME WITHOUT INCURRING ANY OBLIGATION TO MAKE SUCH CHANGES ON PRODUCTS

SNAPPER® McDonough, GA, 30253 U.S.A.