

Parts Manual for

SNAPPER[®]

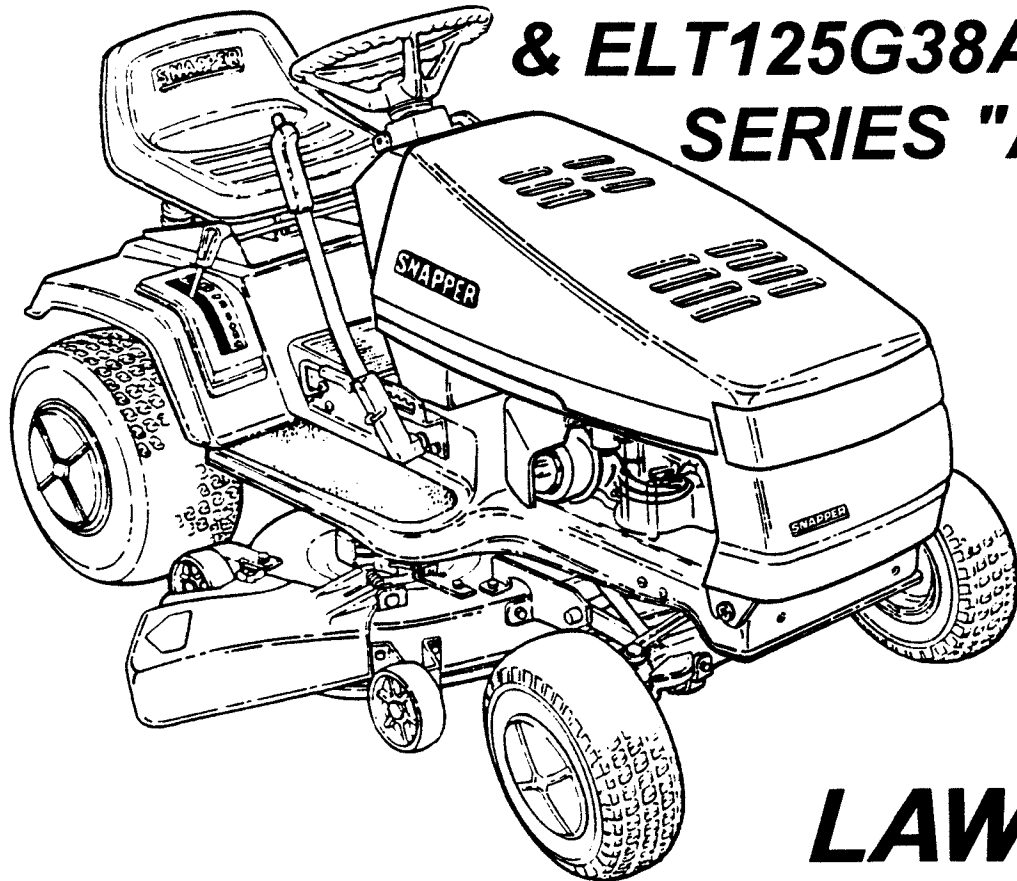
LT125G33AB

ELT120G33AB

ELT125G33AB

& ELT125G38AB

SERIES "A"



**LAWN
TRACTORS**

SNAPPER[®] McDonough, GA., 30253 U.S.A.

(Rev. 1, 11/97)

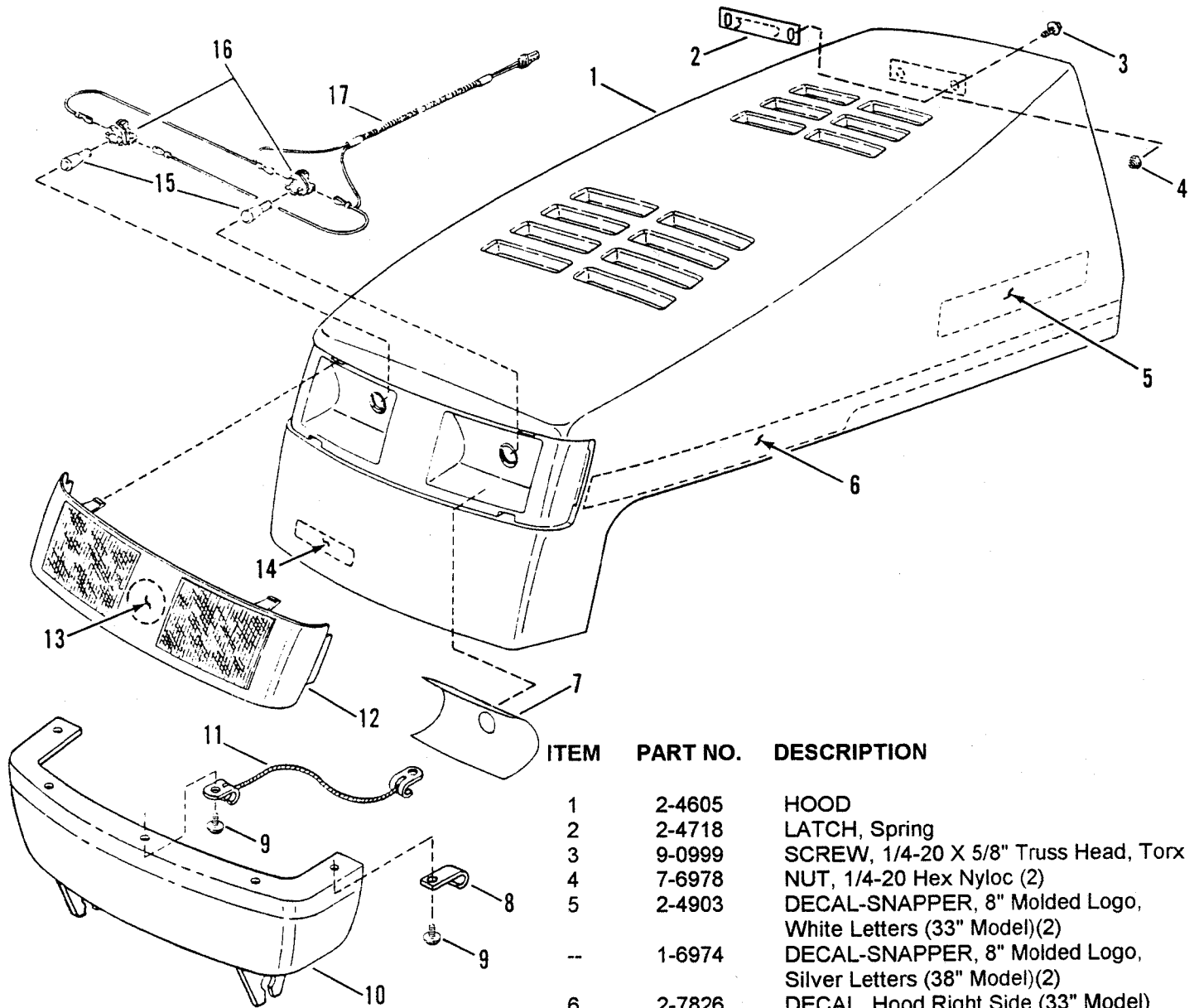
MANUAL NO. 06430

CONTENTS

PAGE	GROUP
3	HOOD & BUMPER
4	SEAT & SUPPORT
5	STEERING WHEEL, CONSOLE & FUEL TANK
6, 7	FRONT AXLE PARTS
8, 9	CLUTCH, BRAKE & STEERING COMPONENTS
10, 11	BLADE ENGAGEMENT & TRANSMISSION CONTROLS
12	IMPLEMENT LIFT PARTS
13	REAR FENDER & COMPONENTS
14	TRANSMISSION GROUP
15	ENGINE COMPONENTS
16, 17	33" CUTTING DECK, BELTS & BRAKES
18, 19	38" CUTTING DECK, BELTS & BRAKES
20	SPINDLE - 33" CUTTING DECK
21	SPINDLE - 38" CUTTING DECK
22	ELECTRICAL - BRIGGS & STRATTON with LIGHTS
23	ELECTRICAL - BRIGGS & STRATTON without LIGHTS
24	WHEELS - FRONT
25	WHEELS - REAR
26	ELECTRICAL COMPONENTS

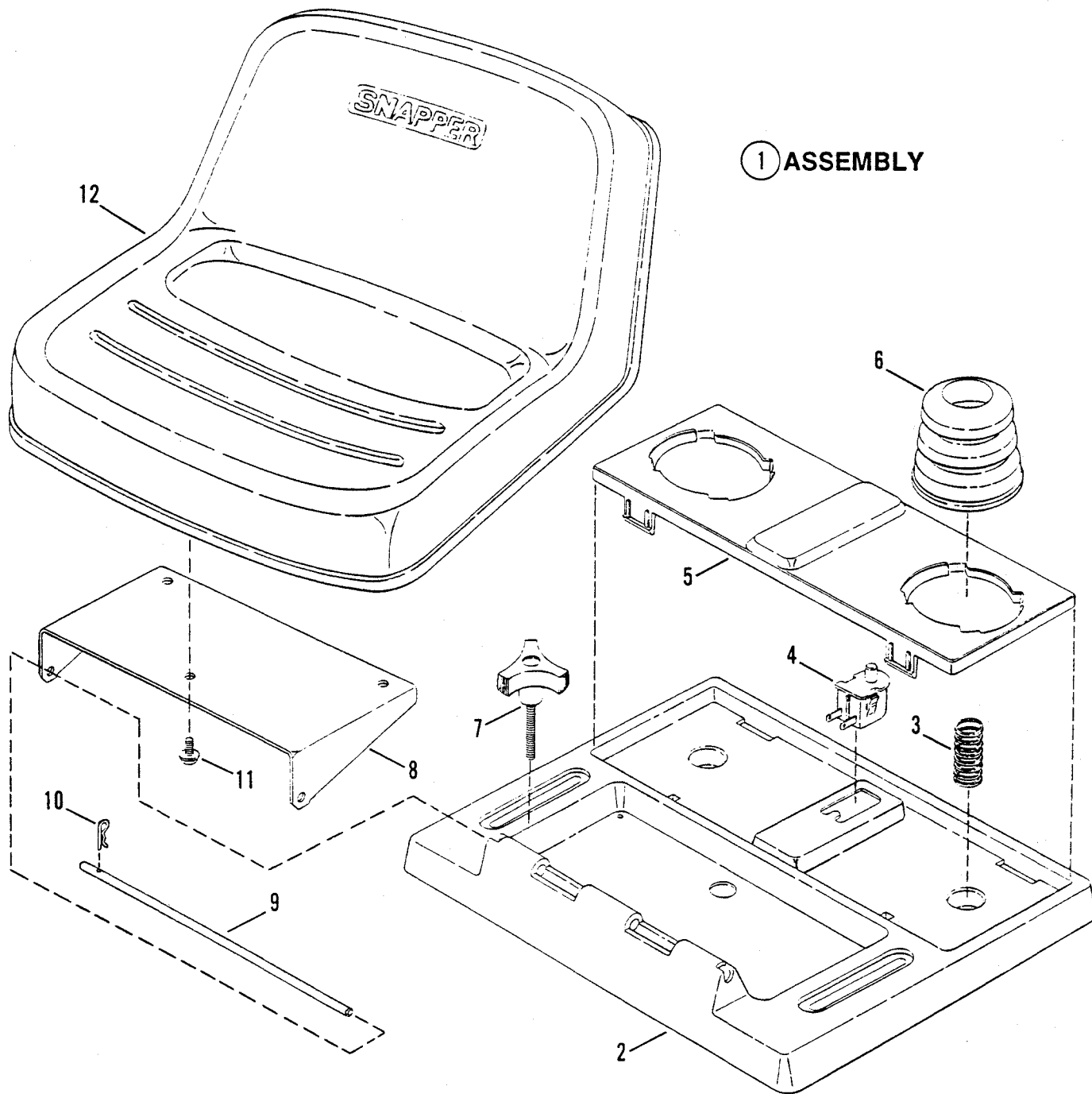
IT IS THE POLICY OF SNAPPER TO IMPROVE ITS PRODUCTS WHENEVER IT IS POSSIBLE AND PRACTICAL TO DO SO. WE RESERVE THE RIGHT TO MAKE CHANGES OR ADD IMPROVEMENTS AT ANY TIME WITHOUT INCURRING ANY OBLIGATION TO MAKE SUCH CHANGES ON PRODUCTS MANUFACTURED PREVIOUSLY.

HOOD , BUMPER & COMPONENTS



ITEM	PART NO.	DESCRIPTION
1	2-4605	HOOD
2	2-4718	LATCH, Spring
3	9-0999	SCREW, 1/4-20 X 5/8" Truss Head, Torx
4	7-6978	NUT, 1/4-20 Hex Nyloc (2)
5	2-4903	DECAL-SNAPPER, 8" Molded Logo, White Letters (33" Model)(2)
--	1-6974	DECAL-SNAPPER, 8" Molded Logo, Silver Letters (38" Model)(2)
6	2-7826	DECAL, Hood Right Side (33" Model)
--	2-7827	DECAL, Hood Left Side (33" Model)
--	2-4955	DECAL, Hood Right Side (38" Model)
--	2-4956	DECAL, Hood Left Side (38" Model)
7	1-7174	DECAL, Lens, Right Side (38" Model)
--	1-7175	DECAL, Lens, Left Side (38" Model)
8	2-6482	CLIP "J" (38" Model)
9	9-1106	SCREW, M4.8 X 1.59 X 16.00MM Special
10	2-4615	BUMPER, Front
11	2-6144	LANYARD, Hood
12	2-4892	LENS, Solid Black (33" Model)
--	2-4893	LENS, Clear (38" Model)
13	2-2974	DECAL, Molded Medallion, Convertible Mower (38" Model)
14	2-4904	DECAL, SNAPPER, 4" Molded Logo, White Letters (33" Model)
--	2-2967	DECAL, SNAPPER, 4" Molded Logo, Teal Letters (38" Model)
15	2-6172	BULB, Headlights (38" Model) (2)
16	2-4709	SOCKET, Headlight Bulb (38" Model) (2)
17	2-6171	HARNES, Headlight Warning

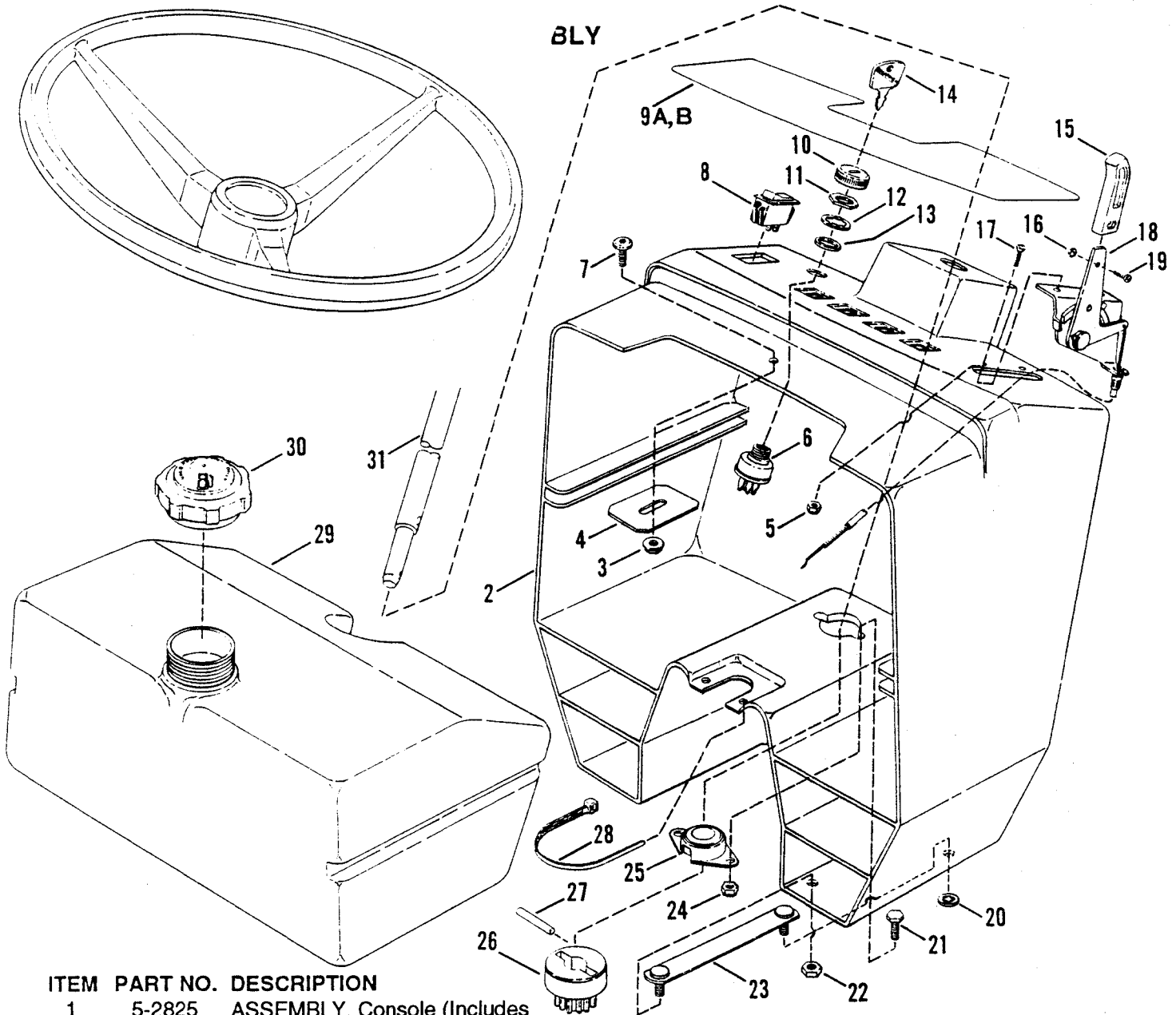
SEAT, SUPPORT COMPONENTS



① ASSEMBLY

ITEM	PART NO.	DESCRIPTION
1	5-2606	ASSEMBLY, Seat Support (Includes items 2 thru 5)
2	1-7852	SUPPORT, Seat
3	2-2759	SPRING (2)
4	2-3354	SWITCH, Seat
5	1-7851	HOLDER, Cushion
6	1-9109	CUSHION, Seat (2)
7	1-7875	KNOB, Seat Adjustment (2)
8	3-3318	BRACKET, Seat Support
9	3-3435	ROD, Seat Hinge
10	1-2431	PIN, Hair
11	9-0721	BOLT, 5/16-18 x 1/2" Hex Flange Lock (3)
12	1-7879	SEAT, Operator's (LT125G33AB & ELT125G38AB)
--	2-4826	SEAT, Operator's (ELT120G33AB)
--	7-1564	SEAT, Operator's (ELT125G33AB)

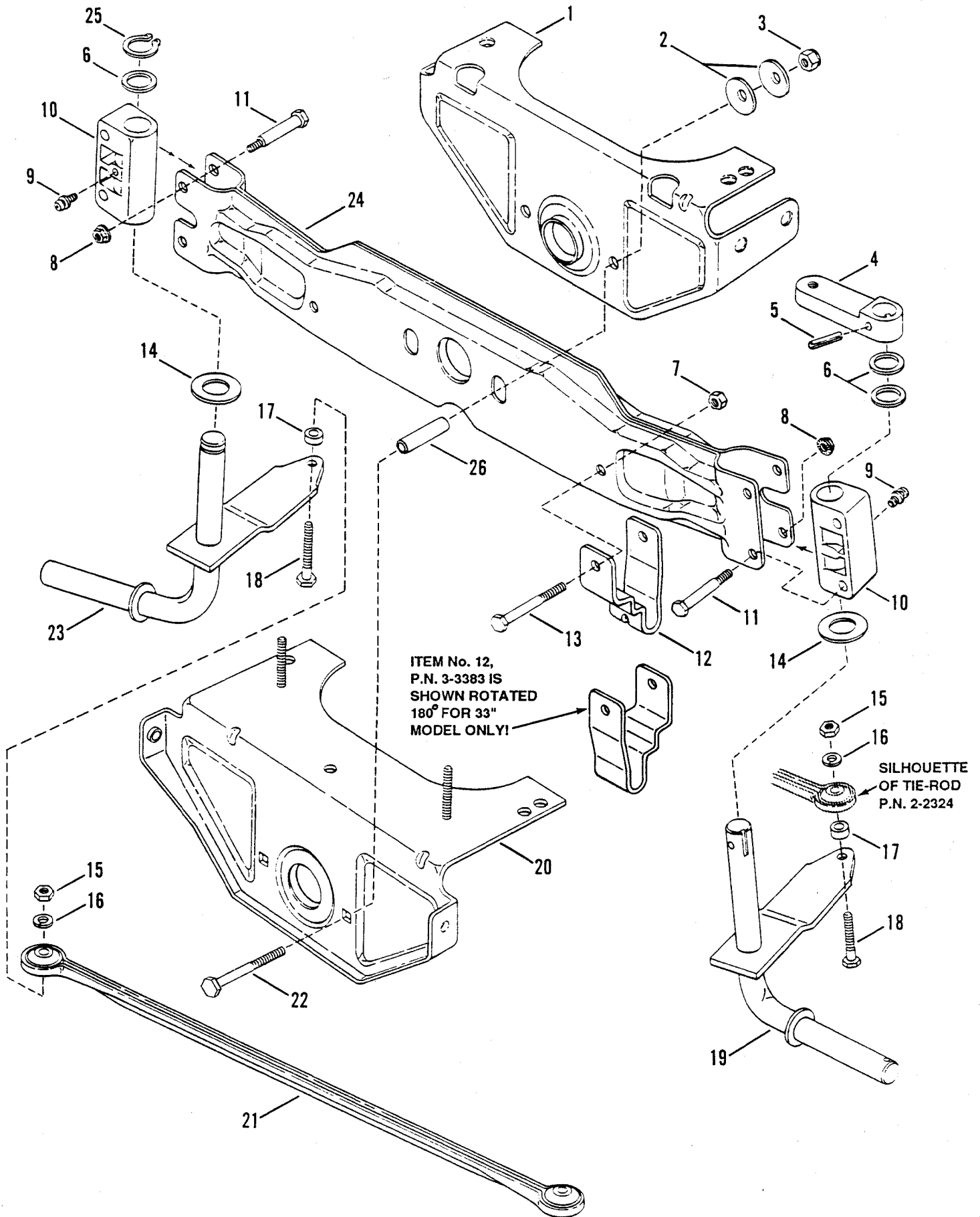
STEERING WHEEL, CONSOLE, FUEL TANK



ITEM	PART NO.	DESCRIPTION
1	5-2825	ASSEMBLY, Console (Includes items 2, 20, 21, 23, 24, & 25)
2	2-4376	CONSOLE
3	9-0951	NUT, 5/16-18 Hex Flange Lock
4	3-3883	BRACKET, Hood Latch Catch
5	7-6977	NUT, #10-24 Hex Nyloc (2)
6	1-8582	KEYSWITCH (Includes item 11)
7	9-1001	SCREW, 5/16-18 x 5/8" Torx, Truss Head
8	2-3187	SWITCH, Lights (38" Model Only)
9A	2-4627	DECAL, Console (ELT120G33AB)
9B	2-4906	DECAL, Console (ELT125G38AB)
10	2-3506	BEZEL
11	1-2685	NUT, 5/8-32 Hex
12	9-0880	WASHER, 5/8 Internal Tooth Lock
13	1-6132	SPACER
14	2-3504	KEY, Special (With Cover)
15	2-3655	HANDLE, Throttle Control
16	9-1018	NUT, #8-32 Hex
17	9-1188	SCREW, #10-24 x 5/8" Machine (2)

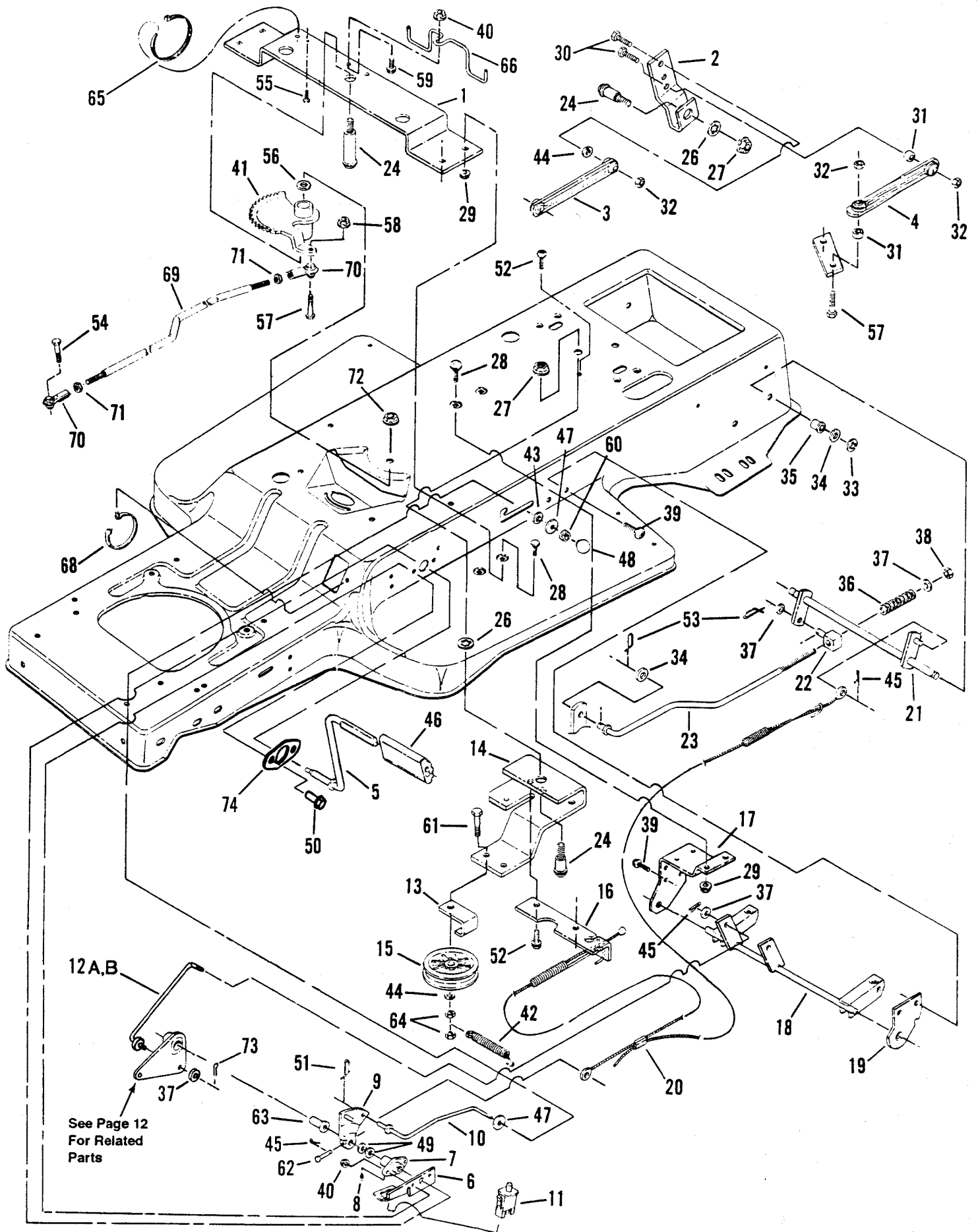
ITEM	PART NO.	DESCRIPTION
18	2-4642	CONTROL, Throttle
19	9-1017	SCREW, #8-32 x 3/8" Cross-Recessed, Fillester Head
20	1-1791	RETAINER (4)
21	9-0073	SCREW, 1/4-20 x 3/4" Hex Hd. Cap (2)
22	9-0184	NUT, 5/16-18 Hex Center Lock (4)
23	5-2891	ASSEMBLY, Strap-Clinch Stud (2)
24	7-6978	NUT, 1/4-20 Hex Nyloc (2)
25	2-6196	ASSEMBLY, Flange Bearing
26	2-2368	GEAR, Pinion, Steering Shaft
27	2-2369	PIN, Dowel, 1/4 x 1 1/4"
28	2-4641	TIE, Wire
29	5-2907	ASSM'Y., Fuel Tank (Includes item 30)
30	1-7808	CAP, Fuel Tank
31	2-2380	SHAFT, Steering
32	1-2765	ROLL-PIN
33	2-2388	STEERING WHEEL

FRONT AXLE PARTS



ITEM	PART NO.	DESCRIPTION
1	3-3374	BRACKET, Axle (Rear)
2	1-2063	WASHER, Cone (4)
3	7-6979	NUT, 3/8-16 Nyloc (2)
4	1-9034	ARM, Steering
5	9-0842	ROLL-PIN, 1/4 x 1 1/4"
6	1-0935	WASHER, Shim (3)
7	9-0184	NUT, 5/16-18 Center Lock (2)
8	9-0477	NUT, 1/4-20 Hex Flange Top-Lock (2)
9	1-3864	FITTING, Lube (2)
10	1-9467	BEARING, Spindle (2)
11	2-2758	BOLT, 1/4-20 x 1 41/64" Shoulder (4)
12	3-3383	BRACKET, Deck Hanger (2)
13	9-1046	SCREW, 5/16-18 x 2 1/2" Hex Head Cap (2)
14	3-1036	WASHER, Thrust (2)
15	9-0130	NUT, 3/8-16 Hex (2)
16	9-0118	WASHER, 3/8 Split Lock (2)
17	2-4180	SPACER, Tie-Rod (2)
18	9-0655	SCREW, 3/8-16 x 1 1/2" Hex Head Cap, Grade 5 (2)
19	4-1008	SPINDLE ASSEMBLY, Left Hand, Long (For 13" Tires)
-	4-1351	SPINDLE ASSEMBLY, Left Hand, Short (For 15" Tires)
20	5-2490	BRACKET ASSEMBLY, Axle (Front)
21	2-2324	TIE-ROD
22	9-0590	BOLT, 3/8-16 x 3" Hex Head (2)
23	4-1007	SPINDLE ASSEMBLY, Right Hand, Long (For 13" Tires)
-	4-1350	SPINDLE ASSEMBLY, Right Hand, Short (For 15" Tires)
24	4-0986	AXLE, Front
25	1-0746	RING, Retaining
26	2-6595	SPACER (2)

CLUTCH, BRAKE & STEERING COMPONENTS

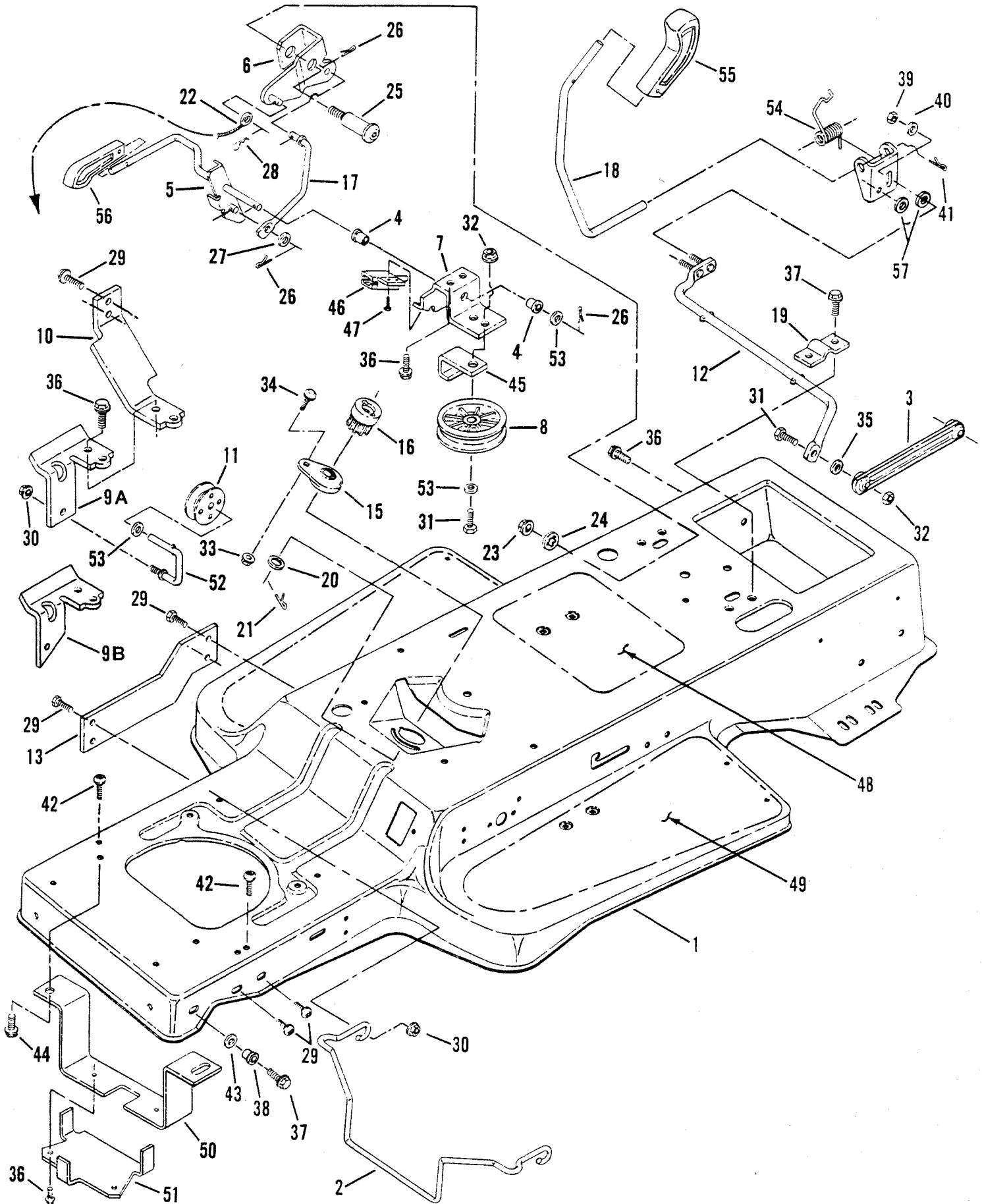


See Page 12
For Related
Parts

CLUTCH, BRAKE & STEERING COMPONENTS

ITEM	PART NO.	DESCRIPTION	ITEM	PART NO.	DESCRIPTION
1	3-3627	BRACE, Sector Gear	40	9-0585	NUT, 5/16-18 Hex Flange Lock (2)
2	3-3555	BELLCRANK, Shift Lever	41	5-2809	ASSEMBLY, Sector Gear
3	2-4286	LINK, Shift Lever	42	2-4383	SPRING
4	2-4287	LINK, Shift Lever (Twisted)	43	1-1791	RETAINER, 5/16" Bolt
5	2-2743	PEDAL, Park Brake	44	9-0118	WASHER, 3/8 Split Lock (3)
6	3-3558	BRACKET, Brake Switch	45	1-5067	PIN, 3/32 x 1-1/2" Hair (2)
7	5-2431	ASSEMBLY, Foot Shaft Pivot (Includes Item 8)	46	1-2661	PAD, Pedal
8	1-4871	FITTING, 3/16 Lube	47	2-3649	WASHER, 5/16 Nylon (2)
9	5-2793	ASSEMBLY, Clutch/Brake Arm	48	2-3188	KNOB, Push/Pull
10	2-4057	LATCH, Park Brake	49	1-5992	WASHER, 5/8 Flat
11	2-2886	SWITCH	50	9-1000	SCREW, 5/16-18 x 7/8" Truss Head (Torx) (2)
12A	2-2964	ROD, Lift Link (33" Models)	51	2-4159	PIN, 3/64 x 1-7/32" Cotter (Self Locking)
12B	2-6590	ROD, Lift Link (38" Models)	52	9-0361	SCREW, 5/16-18 x 5/8" Self-Tapping (3)
13	3-3556	GUIDE, Pulley	53	2-4874	PIN, 1/16 x 1-27/64" Cotter (Self-Locking)
14	3-3557	ARM, Idler (Traction Drive)	54	9-0163	SCREW, 3/8-24 x 1-1/4" Hex Head Cap
15	2-3954	PULLEY	55	9-0913	SCREW, #10-24 x 1/2" Self-Tapping (Torx)
16	3-3595	EXTENSION, Idler Arm	56	3-1036	WASHER, 3/4 Thrust
17	3-3521	BRACKET, Rear Lift/PTO Lever	57	9-0655	SCREW, 3/8-16 x 1-1/2" Hex Head Cap
18	4-1306	WELDMENT, Rear Lift (33" Models)	58	9-0613	NUT, 3/8-16 Hex Flange Lock
--	4-1369	WELDMENT, Rear Lift (38" Models)	59	9-0595	BOLT, 5/16-18 x 3/4" Hex Flange Lock
19	3-3520	BRACKET, Deck Hang Pivot	60	2-3189	RING, Tolerance
20	2-4115	ASSEMBLY, Clutch/Brake Cable	61	9-0629	SCREW, 3/8-16 x 2-1/4" Hex Head Cap
21	4-1347	WELDMENT, Brake Pivot	62	2-3645	PIN, 3/16 x 1-1/2" Clevis
22	2-4586	SWIVEL, Brake Link	63	2-2742	BEARING, Flange
23	2-4430	ROD, Brake	64	9-0130	NUT, 3/8-16 Hex Nut
24	2-2381	BOLT, 1/2-13 x 2" Shoulder (2)	65	1-2080	TIE, Cable
25	2-4604	BOLT, 1/2-13 x 3-7/8" Shoulder (2)	66	2-6459	GUIDE, Drive Belt
26	9-0509	WASHER, 1/2 Internal Lk. (2)	67	2-4383	SPRING, Idler
27	9-0619	NUT, 1/2-13 Hex Flange Lock (2)	68	1-4451	TIE, Wire
28	9-0803	BOLT, 1/4-20 x 5/8" Carriage (6)	--	5-2728	ASSEMBLY, Drag Link (Includes Items 69Thru 71)
29	9-0583	NUT, 1/4-20 Flange Lock (6)	69	2-2846	LINK, Drag
30	9-0143	SCREW, 3/8-16 x 1-1/4" Hex Head Cap (2)	70	2-3200	ROD END (2)
31	2-4180	SPACER	71	9-0482	NUT, 3/8-24 Hex Jam (2)
32	9-0546	NUT, 3/8-16 Center Lock (2)	72	9-0975	NUT, 1/2-13 Hex Center Lock
33	1-4341	RING, 1/2" Ext. Retaining(2)	73	9-0037	PIN, 3/32 x 3/4" Cotter
34	9-0250	WASHER, 1/2" Flat	74	4-6778	WASHER, Pivot- Stiffener
35	1-1016	BEARING, Nylon (2)			
36	2-4381	SPRING, Brake			
37	9-0122	WASHER, 3/8 Flat			
38	7-6979	NUT, 3/8-16 Hex Top Nyloc			
39	9-1001	SCREW, 5/16-18 x 5/8" Truss Head (Torx) (5)			

BLADE ENGAGEMENT & TRANSMISSION CONTROLS



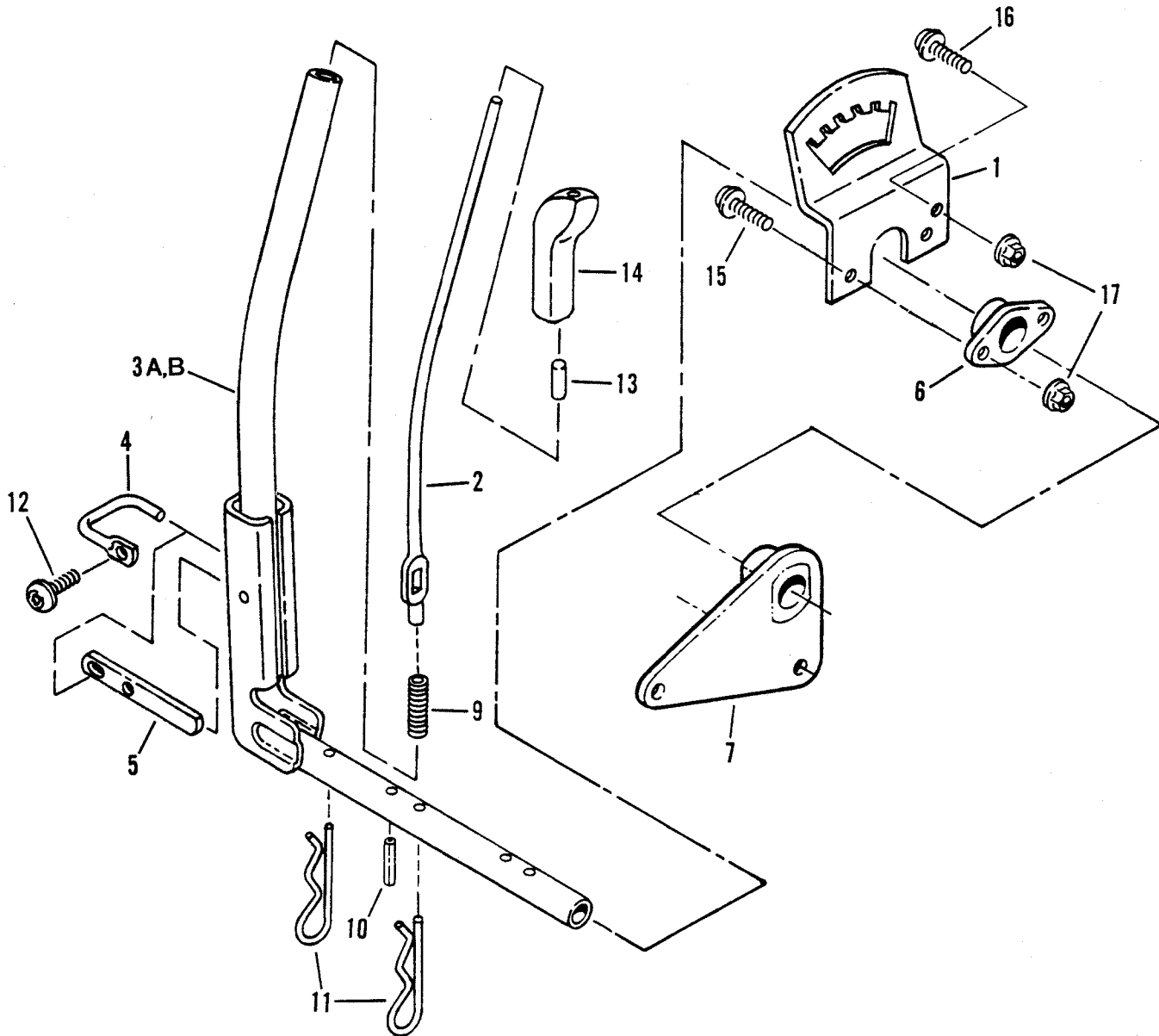
BLADE ENGAGEMENT & TRANSMISSION CONTROLS

ITEM	PART NO.	DESCRIPTION
1	3-3301	FRAME, Tractor
2	2-4824	GUIDE, Belt
3	2-4286	LINK, Shift Lever
4	1-3321	BUSHING
5	4-1307	WELDMENT, PTO Lever
6	4-1310	WELDMENT, PTO Bellcrank
7	3-3525	SUPPORT, PTO Lever
8	2-4344	PULLEY
9A	3-3576	BRACKET, Spool (38" Model)
9B	3-3934	BRACKET, Spool (33" Model)
10	3-3315	BRACKET, Torque
11	2-3182	SPOOL
12	5-2920	ASSEMBLY, Shift Lever (Lower)
13	3-3832	BRACE, Frame (2)
14	3-3541	BRACKET, Shift Lever (Upper)
15	5-2562	ASSEMBLY, Steering Adjuster
16	2-2368	GEAR, Steering Pinion
17	2-3931	ROD, PTO Link
18	2-3957	LEVER, Shift
19	3-3554	CLIP (2)
20	1-4296	WASHER, 1/2 Shim (2)
21	9-0365	PIN, 1/8 x 3/4" Cotter
22	2-6621	CABLE, Blade (33" Models)
—	2-4377	CABLE, Blade (38" Models)
23	9-0619	NUT, 1/2-13 Hex Flange Lock
24	9-0509	WASHER, 1/2 Internal Tooth Lock
25	2-4518	BOLT, 1/2-13 x 2 11/32" Shoulder
26	9-0037	PIN, 3/32 x 3/4" Cotter
27	9-0122	WASHER, 3/8 Flat
28	1-5067	PIN, 3/32 x 1 1/2" Hair Cotter
29	9-1001	SCREW, 5/16-18 x 5/8" Truss Head (Torx)(9)
30	9-0585	NUT, 5/16-18 Hex Flange Lock
31	9-0655	SCREW, 3/8-16 x 1 1/2" Hex Head Cap
32	9-0546	NUT, 3/8-16 Hex Center Lock
33	9-0583	NUT, 1/4-20 Hex Flange Lock
34	9-0551	BOLT, 1/4-20 x 5/8" Short Neck Carriage
35	2-4180	SPACER
36	9-0361	SCREW, 5/16-18 x 5/8" Self-Tapping
37	9-1151	SCREW, 5/16-18 x 1 1/4" Self-Tapping (2)
38	2-4616	BUSHING, Flange (2)
39	7-6978	NUT, 1/4-20 Hex Flange Lock
40	9-0055	WASHER, 1/4 Flat
41	9-0364	PIN, 5/32 x 1" Cotter
42	9-1000	SCREW, 5/16-18 x 7/8" Truss Head (Torx)
43	9-0188	WASHER, 5/16 Flat
44	9-0595	BOLT, 5/16-18 x 3/4" Hex Flange Lock
45	3-3556	GUIDE, Belt
46	2-3355	SWITCH, Blade Engagement
47	9-0913	SCREW, #10-24 x 1/2" Self-Tapping
48	2-4457	DECAL, Instruction/Safety
49	2-4455	PAD, Foot Sandpaper
50	3-3911	BRACKET, Belt Guide
51	3-3912	GUIDE, Engine Belt
52	2-4182	ROD, Spool Pivot
53	9-0122	WASHER, 3/8 Flat
54	2-4069	SPRING, Shift Lever
55	2-3656	KNOB, Deck Lift Lever
56	2-3657	KNOB, Deck Engagement
57	9-1023	WASHER, 1/4 Internal Tooth Lock (2)

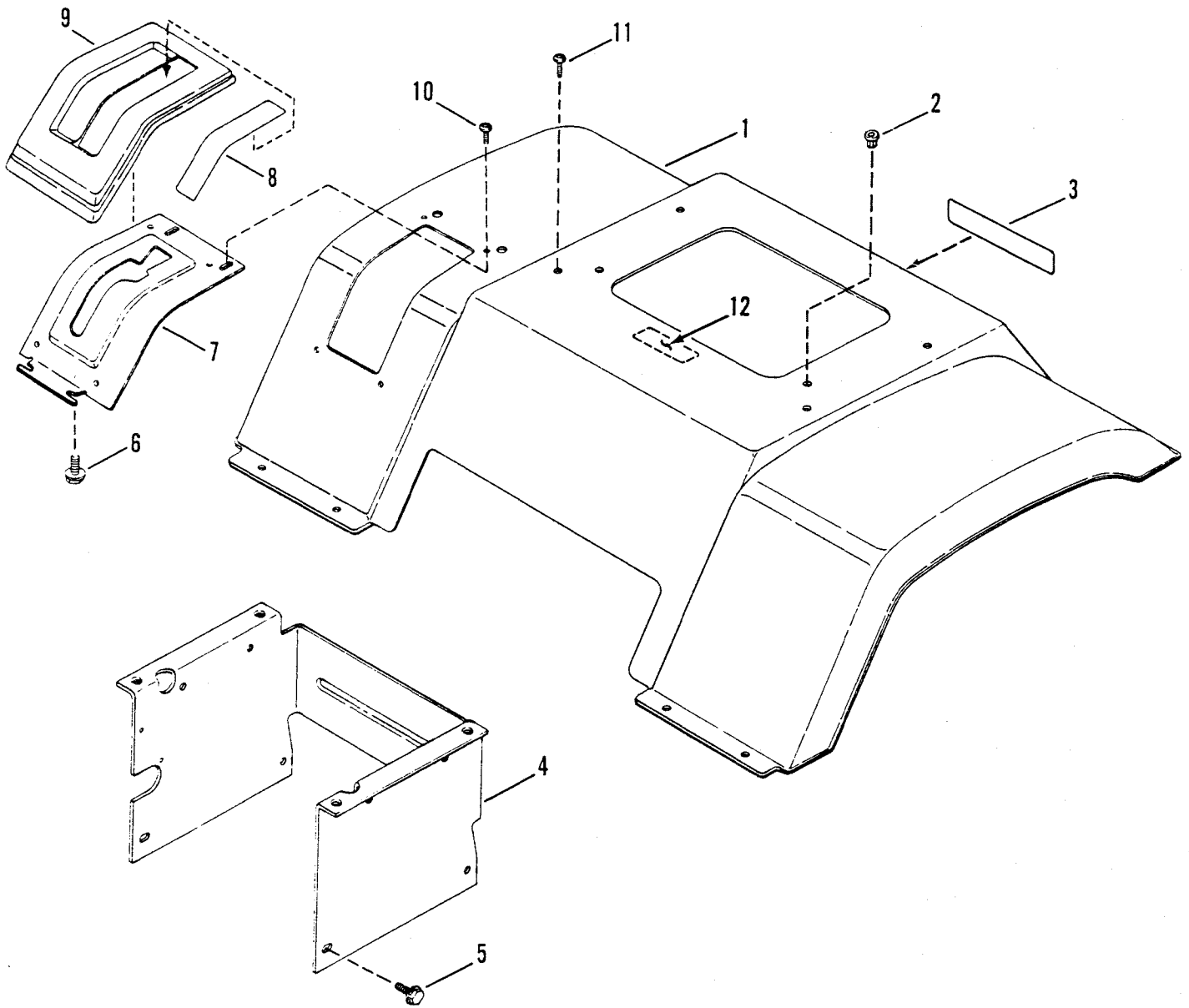
DECALS NOT SHOWN

(Shipped Loose In Bag)
P.N. 2-2840, P.N. 2-2841,
P.N. 2-3008, P.N. 2-3009,
P.N. 2-6250, P.N. 2-6251,
P.N. 2-6252, P.N. 2-6253,
P.N. 2-6254, P.N. 2-6255

IMPLEMENT LIFT PARTS

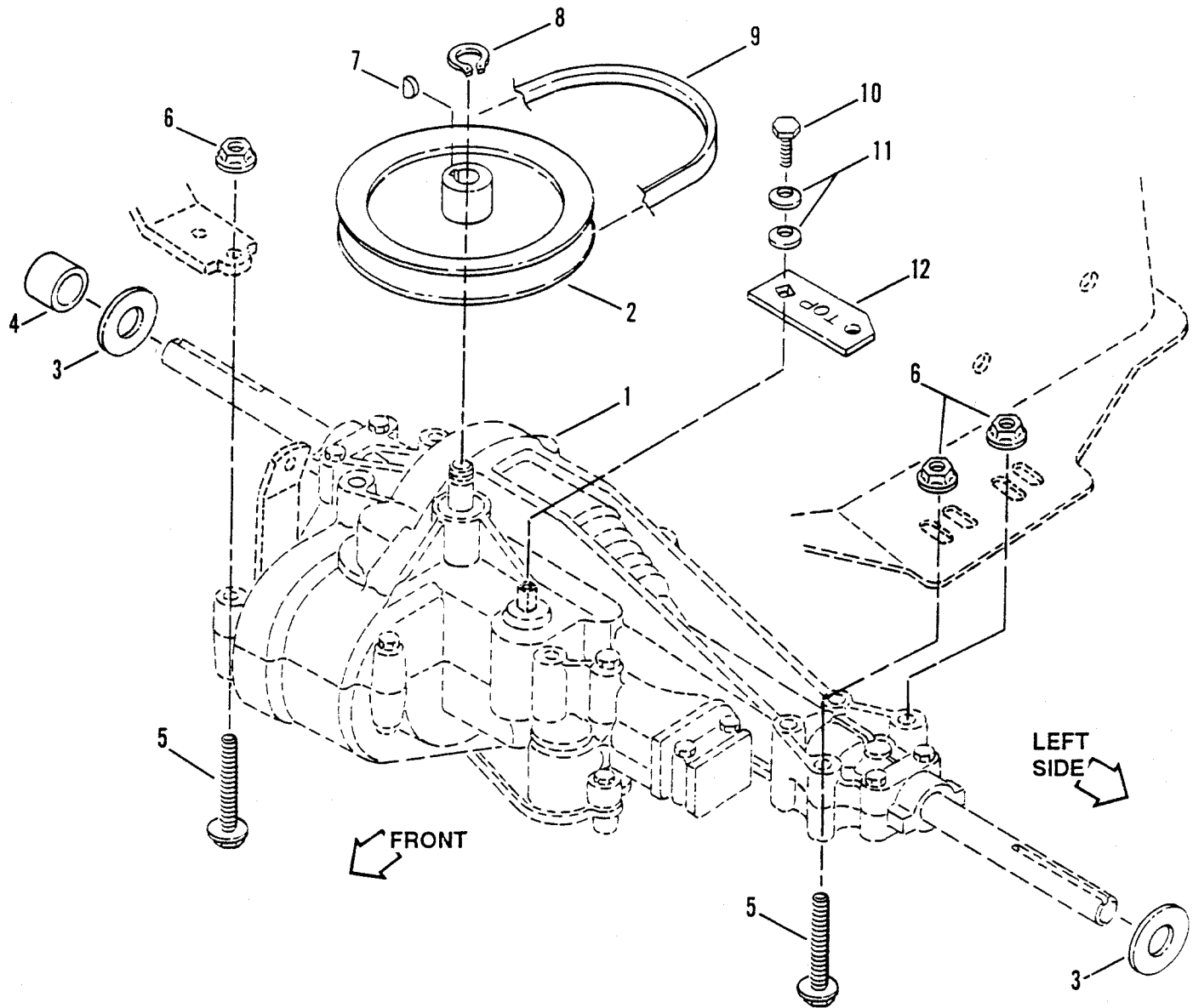


ITEM	PART NO.	DESCRIPTION
1	3-3449	QUADRANT, Lift Lever
2	2-2565	ROD, Lift Lever
3A	4-1015	STRUCTURE, Lift Lever (38" Model)
3B	4-1494	STRUCTURE, Lift Lever (33" Model)
4	2-4742	LATCH, Pivot
5	2-2568	DETENT, Latch
6	2-2567	PIVOT, Lift Lever
7	4-1301	BELL-CRANK, Lift Structure (38" Model)
--	4-1507	BELL-CRANK, Lift Structure (33" Model)
8	2-2964	ROD, Lift Link
9	2-2566	SPRING
10	2-2895	PIN, 1/4" x 1-1/8" Dowel
11	1-3844	PIN, 5/32" x 2-5/8" Hair (2)
12	9-0999	SCREW, 1/4-20 X 5/8" Truss Head Torx
13	1-4361	CAP, Lever Rod
14	1-9363	KNOB, Lift Lever
15	9-1000	SCREW, 5/16-18 x 7/8" Truss Head Torx (2)
16	9-1001	SCREW, 5/16-18 x 5/8" Truss Head Torx
17	9-0585	NUT, 5/16-18 Hex Flange Lock (3)



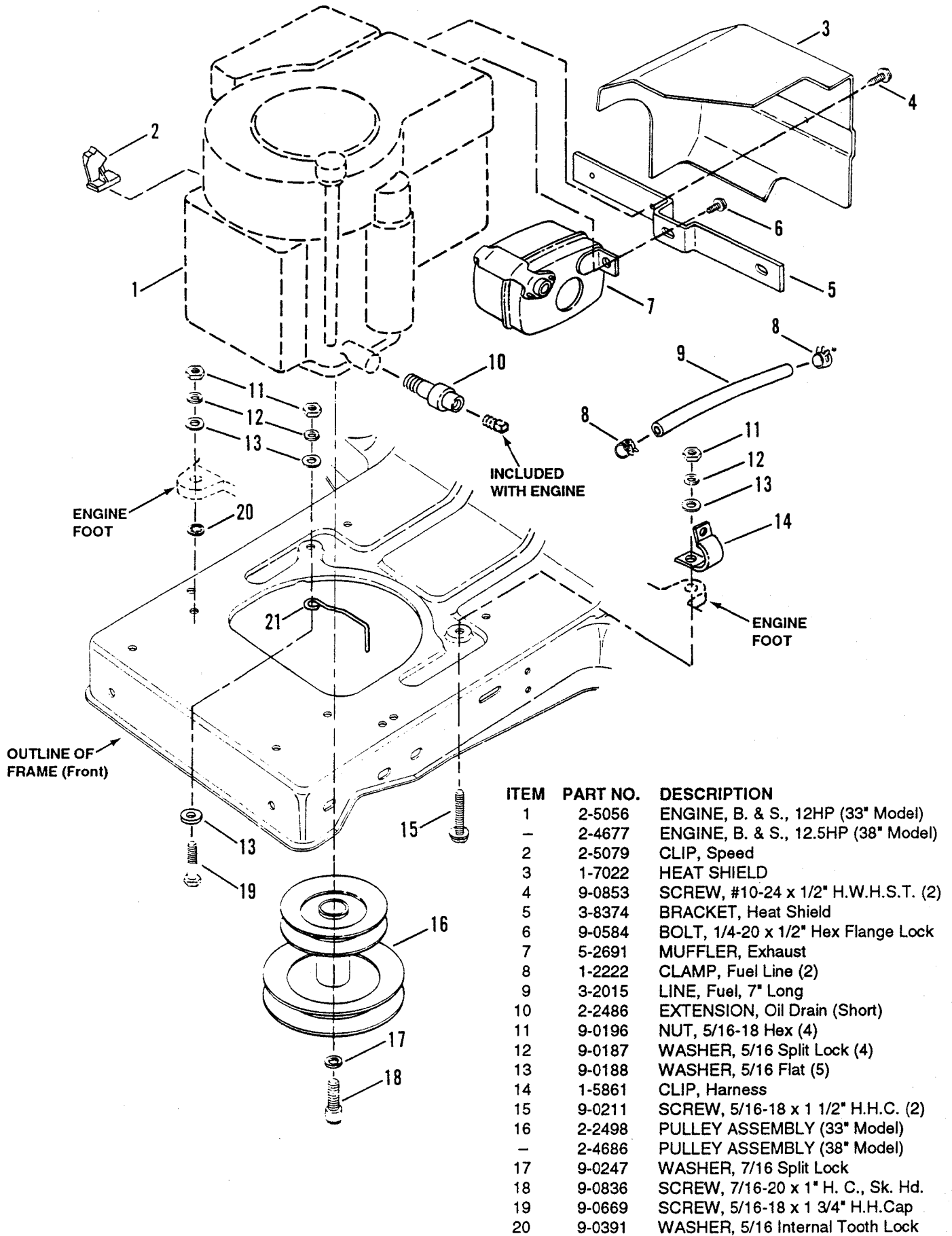
ITEM	PART NO.	DESCRIPTION
1	3-3314	PAN, Seat (Fender)
2	2-3193	RIV-NUT, 5/16-18 (2)
3	2-4905	DECAL-SNAPPER, 7.28" Molded Logo, White Letters & Stripe (33" Model)
-	2-2970	DECAL-SNAPPER, 7.28" Molded Logo, Silver Letters, Teal Stripe (38" Model)
4	3-3312	SUPPORT, Fender
5	9-0361	SCREW, 5/16-18 x 5/8" Hex Washer Head, Self-Tapping (4)
6	9-1105	SCREW, #10-16 x 1/2" Hex Washer Head, Self-Tapping (4)
7	3-3907	DETENT, Gear Shift
8	2-4731	DECAL, Shift Cover, 5 Speed
9	2-4894	COVER, Shift
10	9-0999	SCREW, 1/4-20 x 5/8" Truss Head, Torx (4)
11	9-1001	SCREW, 5/16-18 x 5/8" Truss Head, Torx (4)
12	2-6415	DECAL - CAUTION, Battery Location

TRANSMISSION GROUP



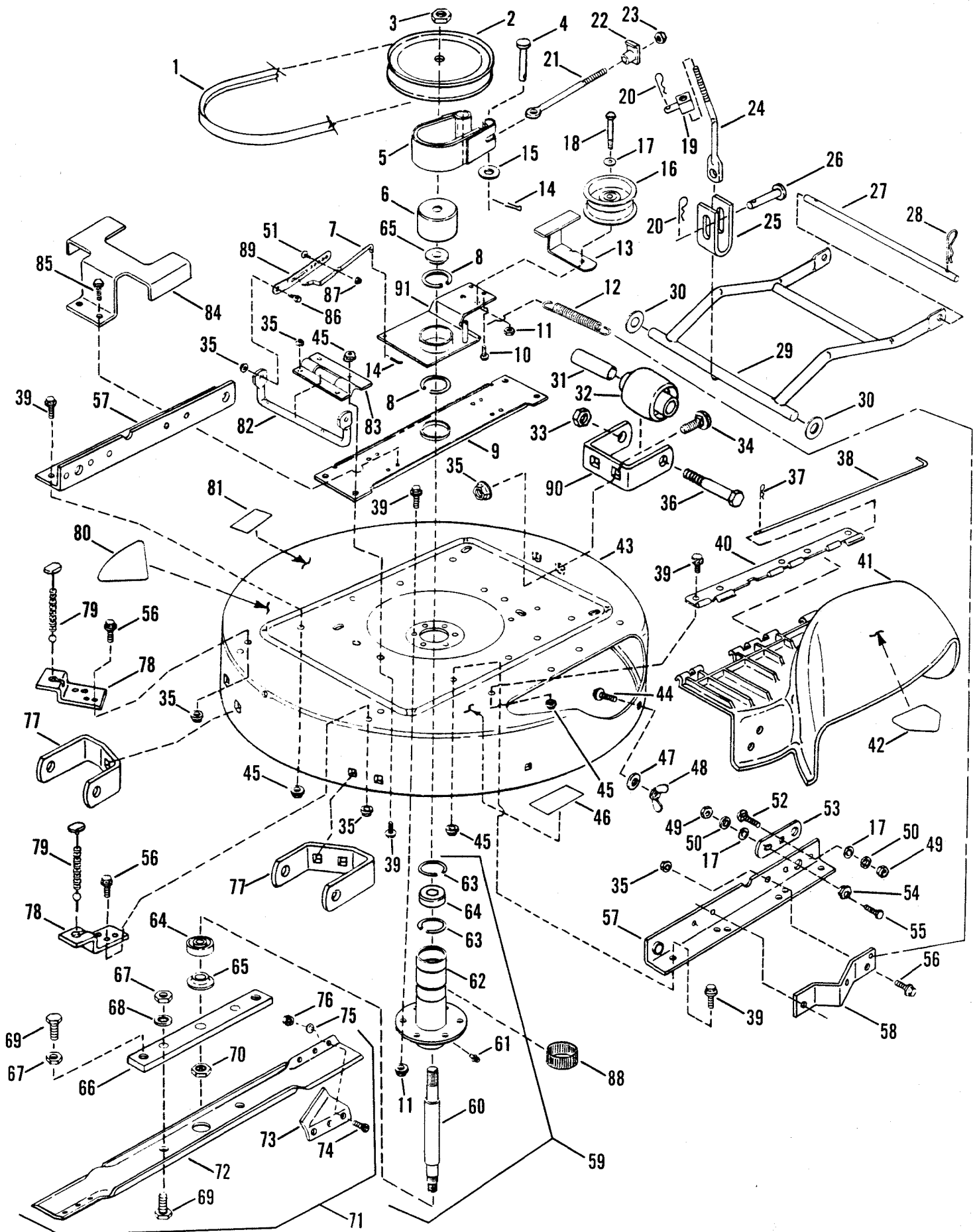
ITEM	PART NO.	DESCRIPTION
1	1-7802	TRANSAXLE ASSEMBLY
2	2-2760	PULLEY, Drive
3	3-1036	WASHER, Flat (2)
4	2-2811	SPACER
5	9-0702	BOLT, 5/16-18 x 2 1/4" Hex Flange Lock (4)
6	9-0585	NUT, 5/16-18 Hex Flange Lock (4)
7	1-0211	KEY, Woodruff
8	1-2763	RING, Retaining
9	2-9584	BELT, P915, Traction Drive
10	9-1165	BOLT, 1/4-28 x 5/8" Hex Head, Grade 8
11	9-0746	WASHER, Bellville (2)
12	3-3552	ARM, Shift Input

ENGINE COMPONENTS



ITEM	PART NO.	DESCRIPTION
1	2-5056	ENGINE, B. & S., 12HP (33" Model)
-	2-4677	ENGINE, B. & S., 12.5HP (38" Model)
2	2-5079	CLIP, Speed
3	1-7022	HEAT SHIELD
4	9-0853	SCREW, #10-24 x 1/2" H.W.H.S.T. (2)
5	3-8374	BRACKET, Heat Shield
6	9-0584	BOLT, 1/4-20 x 1/2" Hex Flange Lock
7	5-2691	MUFFLER, Exhaust
8	1-2222	CLAMP, Fuel Line (2)
9	3-2015	LINE, Fuel, 7" Long
10	2-2486	EXTENSION, Oil Drain (Short)
11	9-0196	NUT, 5/16-18 Hex (4)
12	9-0187	WASHER, 5/16 Split Lock (4)
13	9-0188	WASHER, 5/16 Flat (5)
14	1-5861	CLIP, Harness
15	9-0211	SCREW, 5/16-18 x 1 1/2" H.H.C. (2)
16	2-2498	PULLEY ASSEMBLY (33" Model)
-	2-4686	PULLEY ASSEMBLY (38" Model)
17	9-0247	WASHER, 7/16 Split Lock
18	9-0836	SCREW, 7/16-20 x 1" H. C., Sk. Hd.
19	9-0669	SCREW, 5/16-18 x 1 3/4" H.H.Cap
20	9-0391	WASHER, 5/16 Internal Tooth Lock

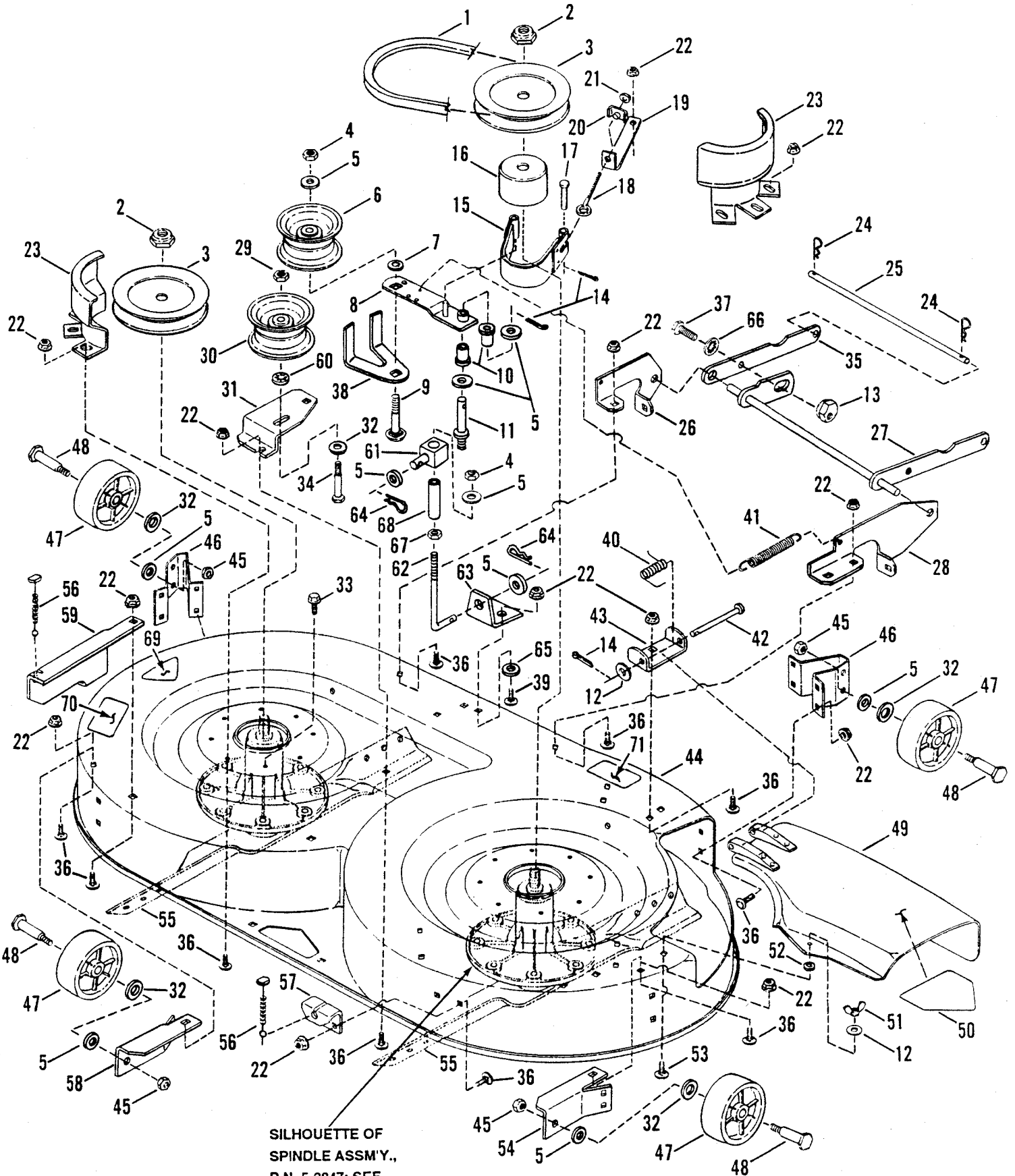
33" CUTTING DECK, BELTS, BRAKES



33" CUTTING DECK, BELTS, BRAKES

ITEM	PART NO.	DESCRIPTION	ITEM	PART NO.	DESCRIPTION
1	2-6546	BELT, 33" Drive	48	9-0492	WING-NUT, 5/16-18
2	2-6558	PULLEY, Spindle, 7" O.D.	49	9-0130	NUT, 3/8-16 Hex (2)
3	1-0027	NUT, 3/4-16 Hex Jam	50	9-0118	WASHER, 3/8 Split Lock (2)
4	1-4304	PIN, 1/4 x 1 1/4" Clevis	51	9-0584	BOLT, 1/4-20 x 1/2" Hex Flange Lock
5	5-2886	BAND, Brake	52	9-0850	BOLT, 3/8-16 x 3/4" Carriage
6	3-2169	DRUM, Brake	53	3-2432	LINK, Adjustment
7	2-4192	ROD, Link, Clutch/Brake	54	1-5012	ECCENTRIC, Leveling
8	1-0740	RING, Retaining (2)	55	9-0563	SCREW, 3/8-16 x 1" Hex Head Cap
9	3-8018	BRACE, Spindle	56	9-0721	BOLT, 5/16-18 x 1/2" Hex Flange Lock (8)
10	9-0368	SCREW, 5/16-18 x 3/4" Self-Tapping	57	3-8453	RAIL, Side (2)
11	9-0456	NUT, 3/8-16 Hex Cntr. Lock	58	3-3952	ANCHOR, Brake
12	1-6153	SPRING, Clutch & Brake	59	5-2917	ASSEMBLY, Spindle (Includes items 60 thru 70)
13	4-1487	GUIDE, Belt	60	2-4687	SPINDLE
14	9-0037	COTTER-PIN, 3/32 x 3/4" (2)	61	1-0817	FITTING, Lube
15	9-0055	WASHER, Flat	62	5-2294	HOUSING, Spindle (Includes item 61)
16	2-7717	PULLEY, Idler 3 1/4" O.D.	63	1-2491	RING, Retaining (2)
17	9-0122	WASHER, 3/8 SAE (3)	64	1-3313	BEARING, Spindle (2)
18	9-0503	BOLT, 3/8-16 x 1 3/4" Hex Hd.	65	1-4407	WASHER, Spindle (2)
19	1-7516	SWIVEL, Brake	66	3-7751	HOLDER, Blade
20	1-2431	PIN, 1/4 x 1 1/8" Hair (2)	67	9-0559	NUT, 1/2-20 Hex Jam (4) (2 in assembly)
21	2-6677	BOLT, 1/4-20 Eye	68	9-0509	WASHER, 1/2 Int. Tooth Lk. (2)
22	1-4303	NUT, 1/4-20 Tee	69	9-0392	SCREW, 1/2-20 Hex Head Cap (4) (2 in assembly)
23	9-0063	NUT, 1/4-20 Hex	70	9-0356	NUT, 5/8-18 Hex Lock
24	2-6639	ROD, Front Lift	71	5-7482	ASSEMBLY, Blade & Air Lift (Includes items 72 thru 76)
25	3-3938	BRACKET, Front Lift Hanger	72	1-9523	BLADE, 33" Mower Deck
26	1-3460	PIN, 3/8 x 1 1/2" Clevis	73	3-7723	AIR-LIFT (2)
27	2-7471	PIN, Front Deck Hanger	74	9-0228	SCREW, 5/16-24 x 11/16" Machine (6)
28	1-3844	PIN, .148 x 2.62" Hair (2)	75	9-0391	WASHER, 5/16 Internal Tooth Lock (6)
29	4-1495	LIFT, Front Arm	76	9-0223	NUT, 5/16-24 Hex (6)
30	3-2027	WASHER, Flat (2)	77	3-8450	BRACKET, Gage Wheel Rear (2)
31	1-5272	SPACER (3)	78	3-3115	BRACKET, Rear Lift (2)
32	1-9190	WHEEL, Gage (3)	79	2-4387	CABLE, Deck Lift, Rear (2)
33	9-0289	NUT, 3/8-24 Hex Lock (3)	80	2-2991	DECAL, 33" Hi-Vac
34	9-0004	BOLT, 5/16-18 x 1/2" Short Neck Carriage (6)	81	1-6973	DECAL - CAUTION (Rotating Blades)
35	9-0585	NUT, 5/16-18 Hex Flange Lock (13)	82	2-4183	ARM, Pivot
36	9-0859	SCREW, 3/8-24 x 3 3/4" Hex Head Cap (3)	83	3-3578	BRACKET, Pivot Arm
37	1-5067	PIN, Hair	84	3-3926	GUIDE, Belt
38	3-1914	PIN, Hinge	85	9-0361	SCREW, 5/16-18 x 5/8" Self- Tapping (6)
39	9-0612	BOLT, 3/8-16 x 3/4" Hex Flange Lock (14)	86	1-5761	SCREW, 5/16-18 x 3/4" Shoulder
40	3-9586	HINGE, Deflector	87	9-0583	NUT, 1/4-20 Hex Flange Lock
41	5-2555	ASSEMBLY, Deflector (Includes item 42)	88	1-2670	RING, Tolerance
42	1-3010	DECAL, Danger (Cut Finger)	89	3-3586	BRACKET, Link, Clutch/Brake
43	5-3180	DECK, Cutting, 33" (Includes items 46 & 81)	90	3-8451	BRACKET, Gage Wheel (Front)
44	9-0001	BOLT, 5/16-18 x 3/4" Short Neck Carriage	91	4-1311	ARM, Idler
45	9-0613	NUT, 3/8-16 Hex Flng. Lk. (14)			
46	1-4852	DECAL - CAUTION (Deflector)			
47	9-0188	WASHER, 5/16 Flat			

38" CUTTING DECK, BELTS, BRAKES



SILHOUETTE OF
SPINDLE ASSM'Y.,
P.N. 5-2847; SEE
PAGE 21 FOR
BREAKDOWN

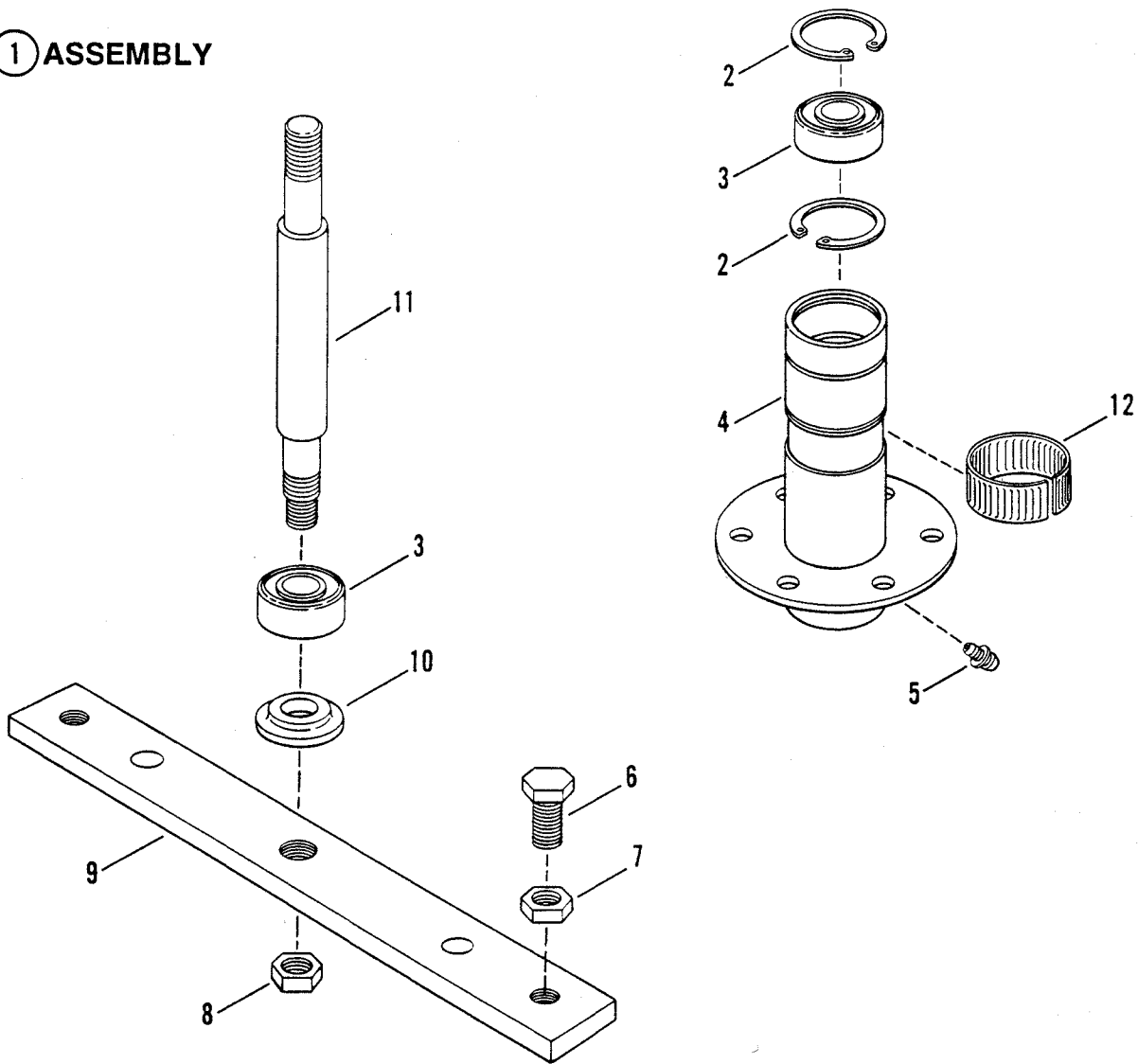
38" CUTTING DECK, BELTS, BRAKES

ITEM	PART NO.	DESCRIPTION
1	2-4614	BELT, Drive, 38" Cutting Deck
2	9-1006	NUT, 5/8-18 Hex Nyloc (2)
3	2-4634	PULLEY, Spindle (2)
4	7-6979	NUT, 3/8-16 Hex Nyloc (2)
5	9-0122	WASHER, 3/8 Flat (10)
6	2-4725	PULLEY, Idler
7	1-3847	RETAINER, 3/8 Bolt
8	4-1392	ARM, Idler Pulley
9	9-0738	BOLT, 3/8-16 x 2 3/4" Short Neck Carriage, Grade 5
10	1-2306	BUSHING, Flange (2)
11	2-6618	STUD, Idler
12	9-0188	WASHER, Flat (2)
13	1-5447	ECCENTRIC, Leveling
14	9-0037	COTTER-PIN, 3/32 x 3/4" (3)
15	5-2886	ASSEMBLY, Brake Band
16	3-3816	DRUM, Brake
17	1-4304	PIN, 1/4 x 1 5/8" Clevis
18	1-4302	BOLT, 1/4-20 Eye
19	3-3825	ANCHOR, Blade Brake
20	2-4908	NUT, 1/4-20 "T" Lock
21	9-0063	NUT, 1/4-20 Hex
22	9-0585	NUT, 5/16-18 Hex Flange Lock (32)
23	2-4801	GUARD, Belt (2)
24	1-3844	PIN, Hair (2)
25	3-3407	PIN, Deck Hanger
26	3-3704	BRACKET, Front Lift Arm (Left Side)
27	4-1371	LIFT, Front Arm
28	2-6525	BRACKET, Front Lift Arm (Right Side)
29	9-1121	NUT, 1/2-13 Hex Nyloc
30	2-6310	PULLEY, Idler
31	3-3728	BRACKET, Idler
32	9-0250	WASHER, 1/2 Flat
33	9-0815	SCREW, 3/8-16 x 3/4" Self-Tapping (5)
34	9-0652	BOLT, 1/2-13 x 3" Hex Head Cap
35	3-3751	ARM, Front Lift
36	9-0731	BOLT, 5/16-18 x 1/2" Short Neck Carriage (32)
37	9-0974	BOLT, 3/8-24 x 3/4" Hex Head

ITEM	PART NO.	DESCRIPTION
38	3-3929	GUIDE, Belt
39	9-1097	BOLT, 5/16-18 x 3/4" Short Neck Carriage (2)
40	2-6158	SPRING, Chute Deflector Hinge
41	2-6173	SPRING, Blade Brake
42	2-6161	PIN, 5/16 x 3 3/16" Clevis
43	3-3706	HINGE, Chute Deflector
44	3-3639	DECK, 38" Cutting
45	9-0289	NUT, 3/8-24 Hex Lock (4)
46	3-3756	BRACKET, Gage Wheel, Front (2)
47	2-6122	WHEEL, Gage (4)
48	1-1720	BOLT, 3/8-24 Shoulder (4)
49	5-3165	ASSEMBLY, Chute Deflector (Includes 1 ea. item 12 & 14, & items 40, 42, 43, & 50)
50	1-3010	DECAL, DANGER
51	9-0492	NUT, 5/16-18 Wing
52	1-1791	RETAINER, 5/16 Bolt
53	9-0001	BOLT, 5/16-18 x 3/4" Short Neck Carriage, Grade 2
54	3-3890	BRACKET, Wheel, Right Side
55	2-4466	BLADE, 38" Cutting Deck (2)
56	2-6450	CABLE, Rear Lift (2)
57	3-3698	BRACKET, Rear Deck Lift (Right Side)
58	3-3891	BRACKET, Wheel (Left Side)
59	3-3893	BRACKET, Rear Deck Lift (Left Side)
60	1-6245	RETAINER, 1/2" Bolt
61	2-6648	SWIVEL, Lift
62	2-6635	BOLT, "J"
63	2-6634	BRACKET, Angle (Front)
64	1-6231	PIN, Hair (2)
65	9-0500	WASHER, 7/16 Flat
66	9-0390	WASHER, 3/8 Internal Tooth Lock
67	9-0130	NUT, 3/8-16 Hex
68	2-6649	SPACER, Lift
69	2-6154	DECAL - Inch
70	1-6973	DECAL - CAUTION (Rotating Blades)
71	1-4852	DECAL - CAUTION

SPINDLE - 33" CUTTING DECK

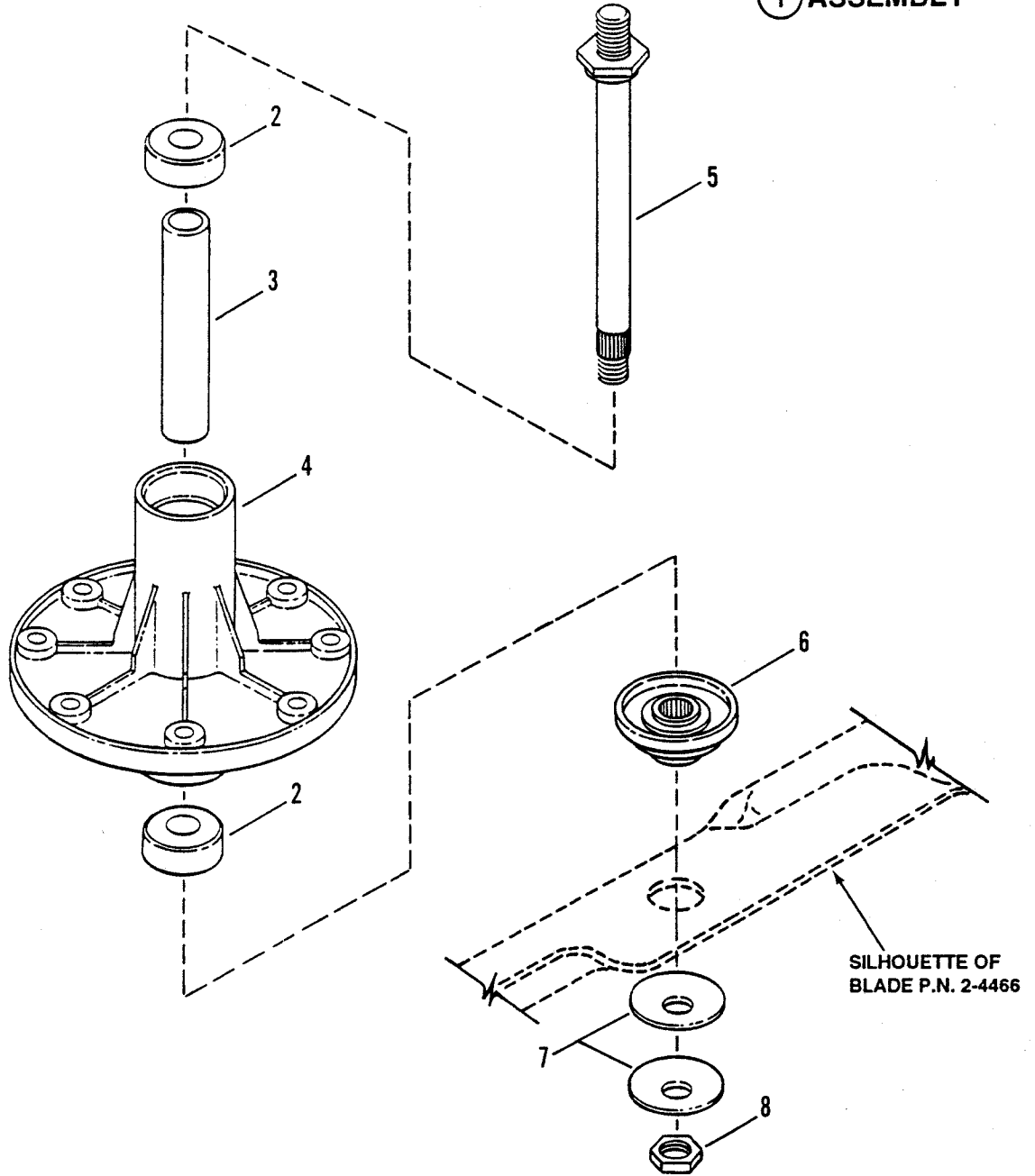
① ASSEMBLY



ITEM	PART NO.	DESCRIPTION
1	5-2917	ASSEMBLY, Spindle Housing, 33" Cutting Deck (Includes items 2 thru 11)
2	1-2491	RING, Retaining (2)
3	1-3313	BEARING, Spindle (2)
4	5-2294	HOUSING, Spindle (Includes item 5)
5	1-0817	FITTING, Lube
6	9-0392	SCREW, 1/2-20 x 1" Hex Head Cap, Gr. 5 (2)
7	9-0559	NUT, 1/2-20 Hex Jam (2)
8	9-0356	NUT, 5/8-18 Hex Lock
9	3-7751	HOLDER, Blade
10	1-4407	WASHER, Spindle
11	2-4687	SPINDLE
12	1-2670	RING, Tolerance

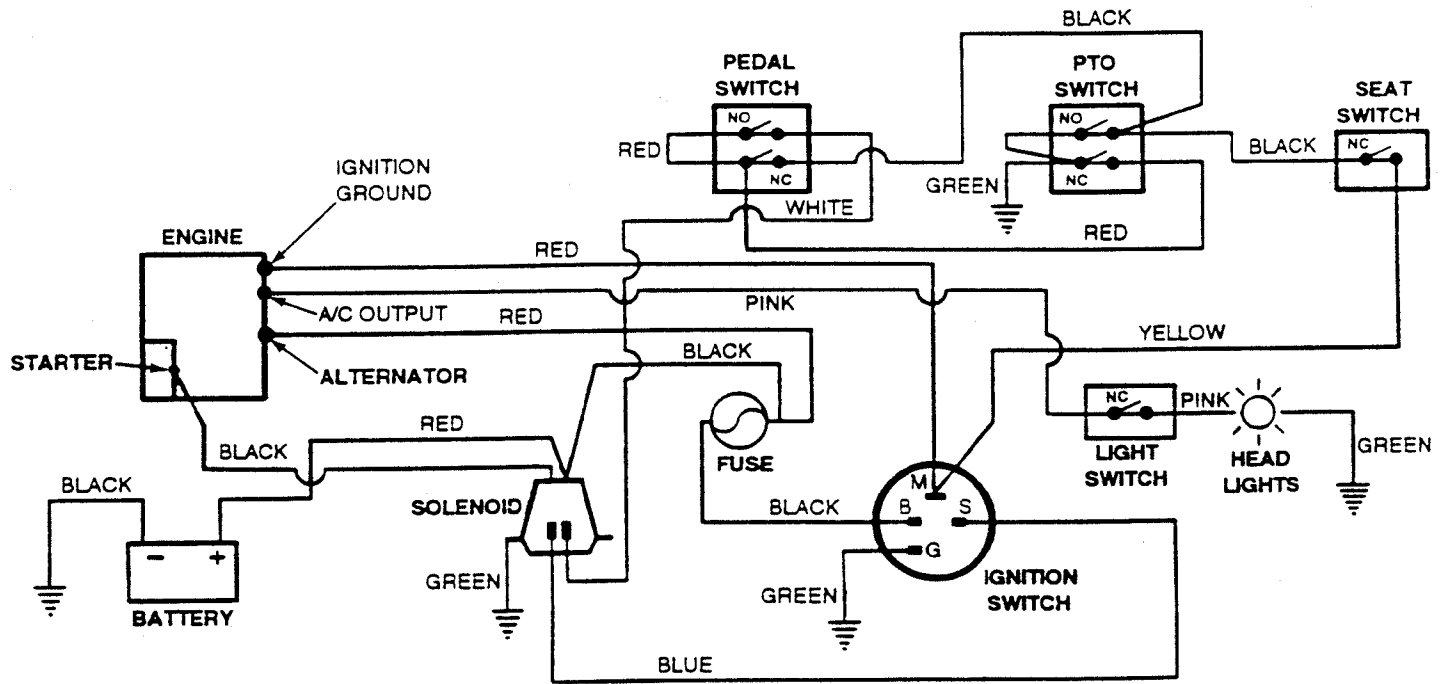
SPINDLE - 38" CUTTING DECK

① ASSEMBLY



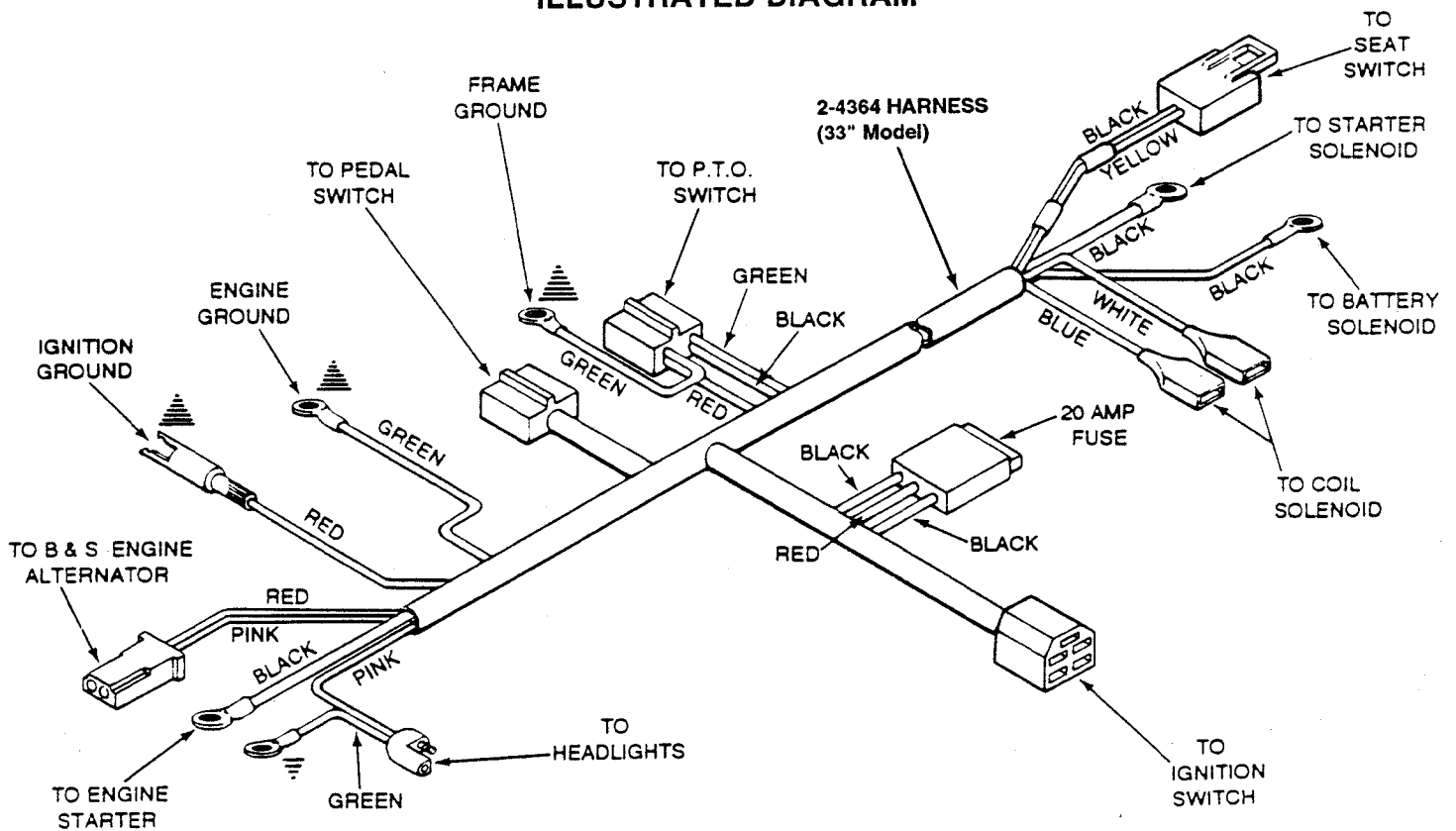
ITEM	PART NO.	DESCRIPTION
1	5-2847	ASSEMBLY, Spindle Housing, 38" Cutting Deck (Includes items 2 thru 8)
2	1-3020	BEARING, Spindle (2)
3	2-4465	SPACER, Spindle Housing
4	2-4461	HOUSING, Spindle
5	2-4462	SPINDLE
6	2-4463	SPACER, Blade
7	2-4467	WASHER, Belleville, 19/32" I.D., 1 3/4" O. D. (2)
8	2-4468	NUT, 9/16-18 Hex Jam

ELECTRICAL - Briggs & Stratton with Lights

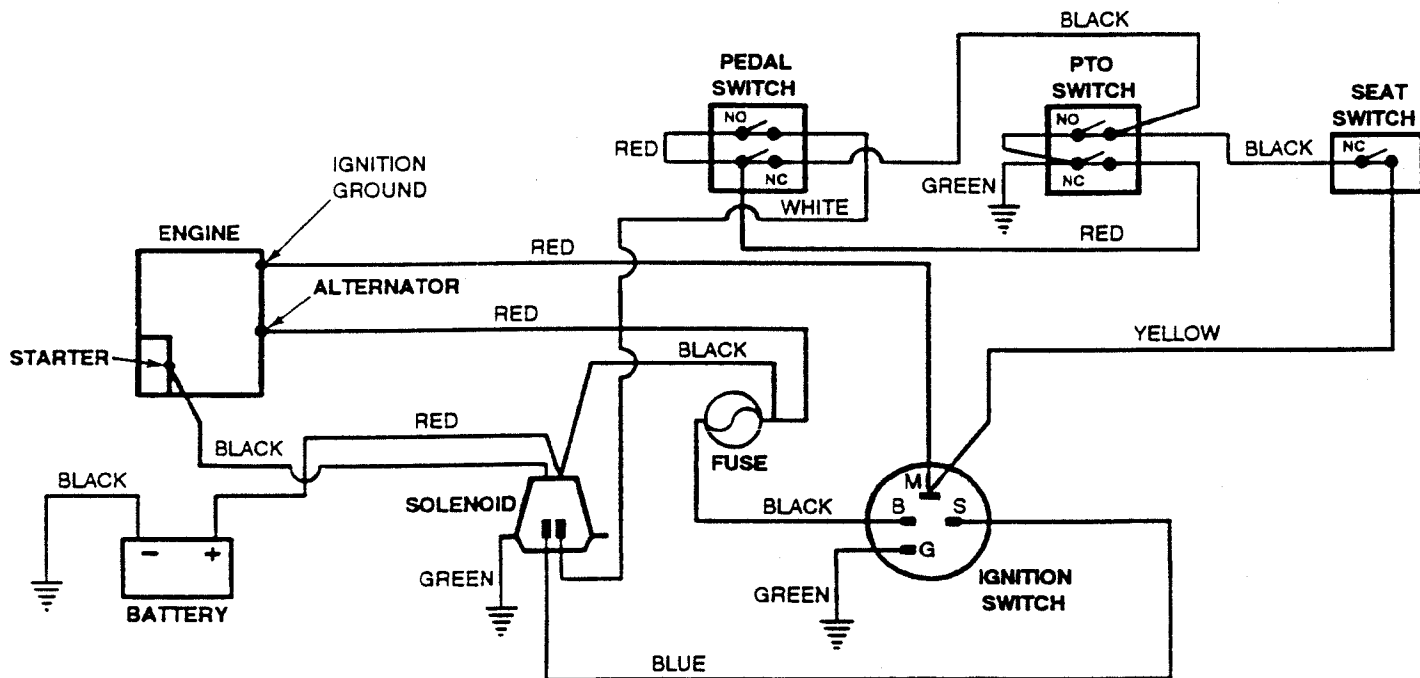


SCHEMATIC

ILLUSTRATED DIAGRAM

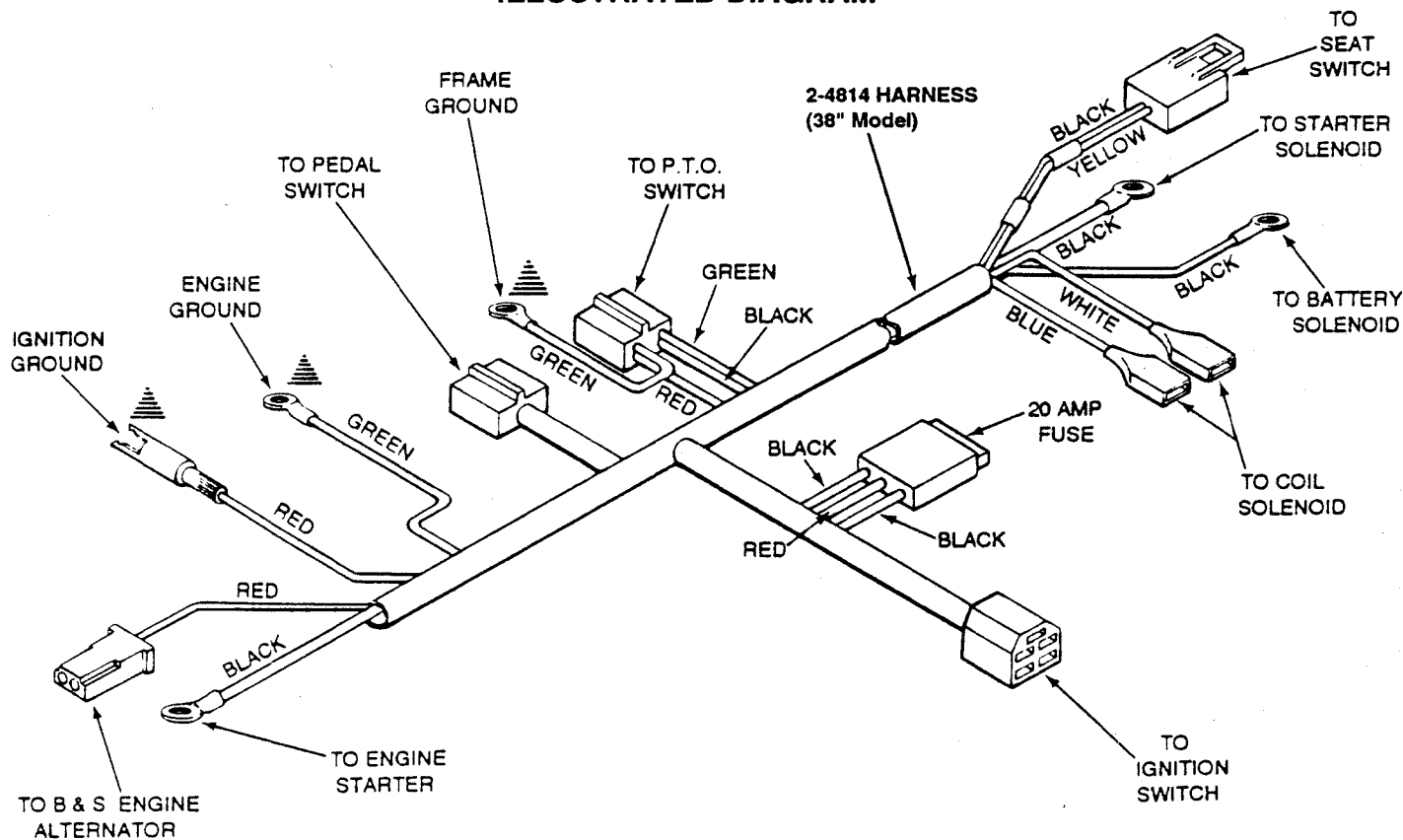


ELECTRICAL - Briggs & Stratton without Lights

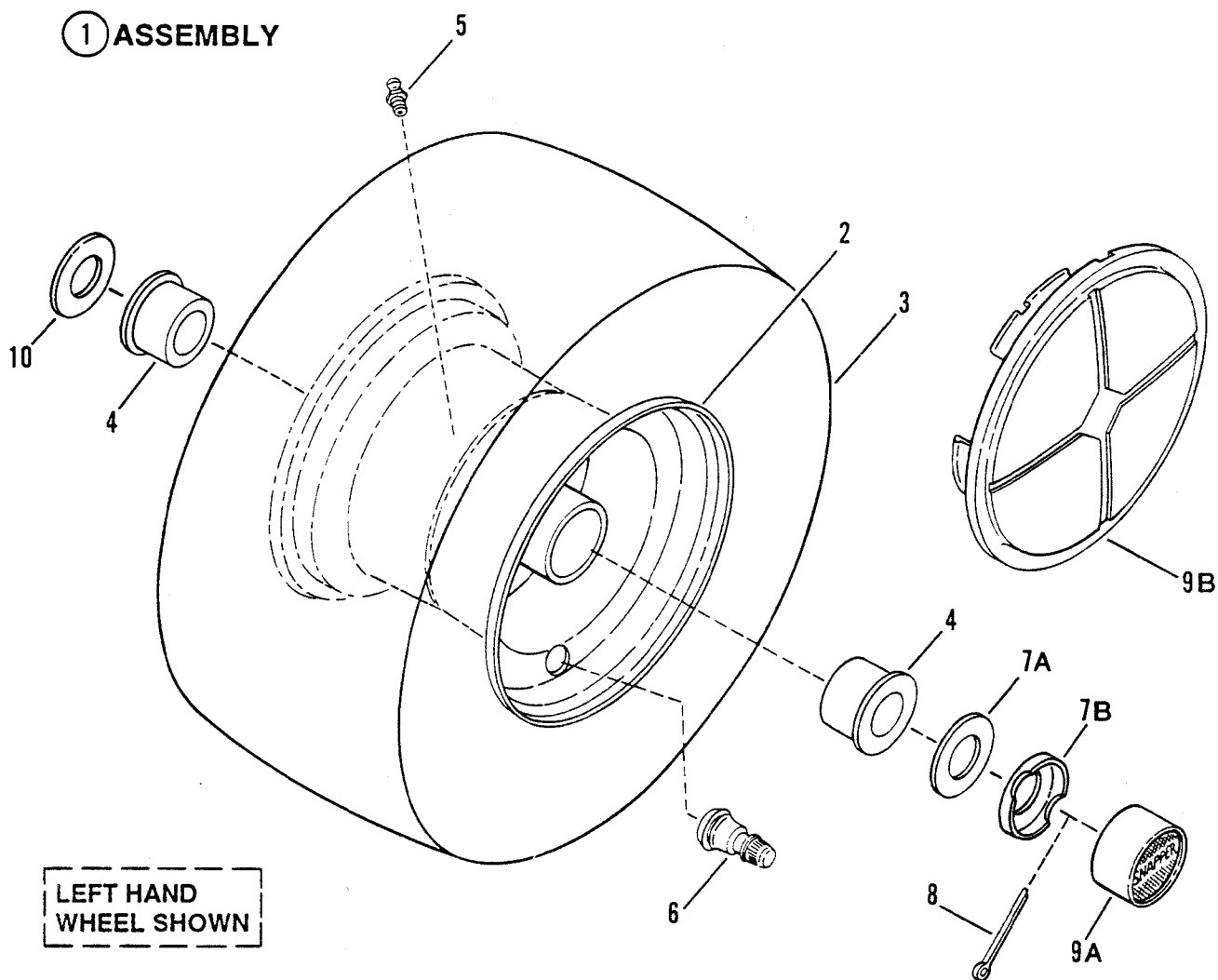


SCHEMATIC

ILLUSTRATED DIAGRAM

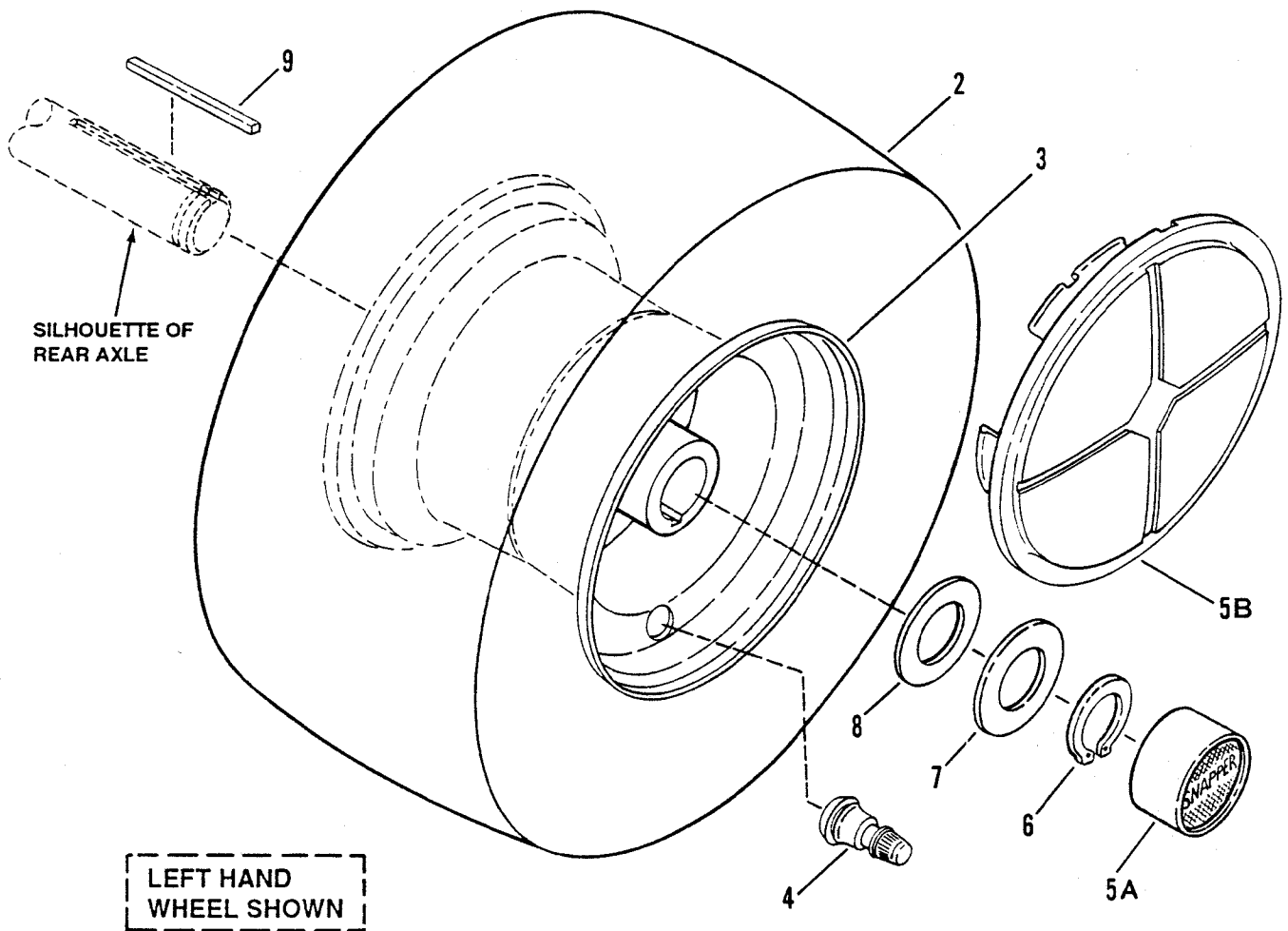


WHEELS - FRONT



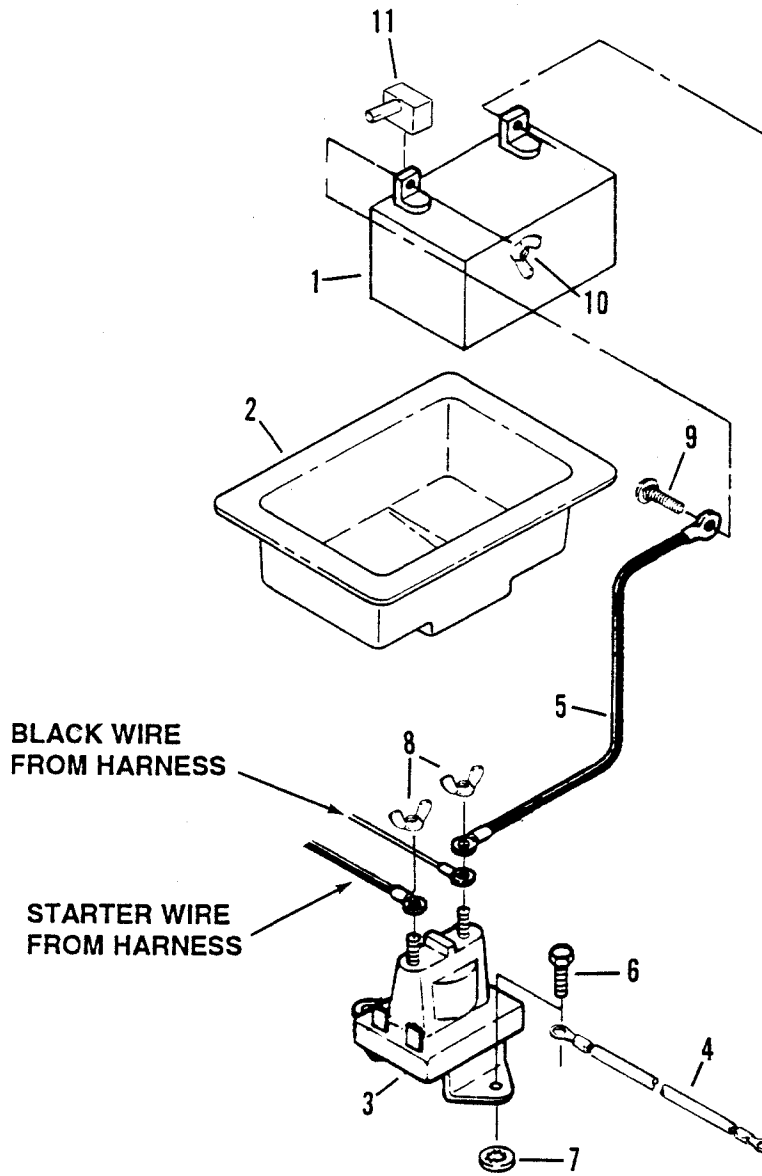
ITEM	PART NO.	DESCRIPTION
1	5-2681	ASSEMBLY, Front Tire & Rim (Includes items 2 thru 6) (33" Model)
-	5-2957	ASSEMBLY, Front Tire & Rim (Includes items 2 thru 6) (38" Model)
2	2-2772	RIM, 5.50 x 4.00
3	2-2773	TIRE, 13 x 5.00 (33" Model)
-	2-6109	TIRE, 15 x 6.00 (38" Model)
4	1-4483	BEARING, Wheel (2)
5	1-3876	FITTING, Lube
6	1-2234	VALVE, Air (Snap-in)
7A	3-2027	WASHER, 49/64 I.D. x 1-1/2" O.D.
7B	2-6608	RETAINER, Hub-Cap (33" Models)
8	9-0364	COTTER-PIN
9A	1-1022	HUB-CAP (33" Model)
9B	1-9417	WHEEL-COVER (38" Model)
10	3-3701	WASHER, 25/32 I.D. x 1-1/2" O.D.

① ASSEMBLY



ITEM	PART NO.	DESCRIPTION
1	5-2845	ASSEMBLY, Rear Tire & Rim (Includes items 2 thru 4) (33" Model)
-	5-2846	ASSEMBLY, Rear Tire & Rim (Includes items 2 thru 4) (38" Model)
2	2-6112	TIRE, 18 x 7.50 (33" Model)
-	2-6113	TIRE, 18 x 8.50 (38" Model)
3	2-4453	RIM, 8.00 x 5.375 (33" Model)
-	2-4454	RIM, 8.00 x 7.00 (38" Model)
4	1-2234	VALVE, Air (Snap-in)
5A	1-1022	HUB-CAP (33" Model)
5B	1-9418	WHEEL-COVER (38" Model)
6	1-2705	RING, Retaining
7	1-1071	WASHER, 49/64 I.D. x 1-5/8" O.D. Thrust (33" Models)
8	3-2027	WASHER, Flat, 49/64" I.D. x 1 1/2" O.D.
9	1-7173	KEY, Square, 3/16 x 2 1/2"

ELECTRICAL COMPONENTS



ITEM	PART NO.	DESCRIPTION
1	6-0618	KIT, Battery (Includes 1-6134 Decal and Battery Without Acid)
2	1-7853	TRAY, Battery
3	1-8604	SOLENOID
4	2-4614	CABLE, Ground (Black)
5	1-4476	CABLE, Positive (Red)
6	9-0539	SCREW, 1/4-20 x 1/2" Self-Tapping (2)
7	1-2485	RETAINER, 1/4 Bolt
8	9-0997	NUT, 1/4-20 Locking Wing
9	9-0074	BOLT, 1/4-20 x 3/4" Carriage (2)
10	9-0311	NUT, 1/4-20 Wing (2)
11	1-2444	COVER, Positive Terminal

Parts Manual for

SNAPPER®

LT125G33AB

ELT120G33AB

ELT125G33AB

& ELT125G38AB

SERIES "A"

LAWN TRACTORS

SNAPPER McDonough, GA., 30253 U.S.A.