

Parts Manual for

SNAPPER[®]

LAWN TRACTORS DISC DRIVE SERIES 1

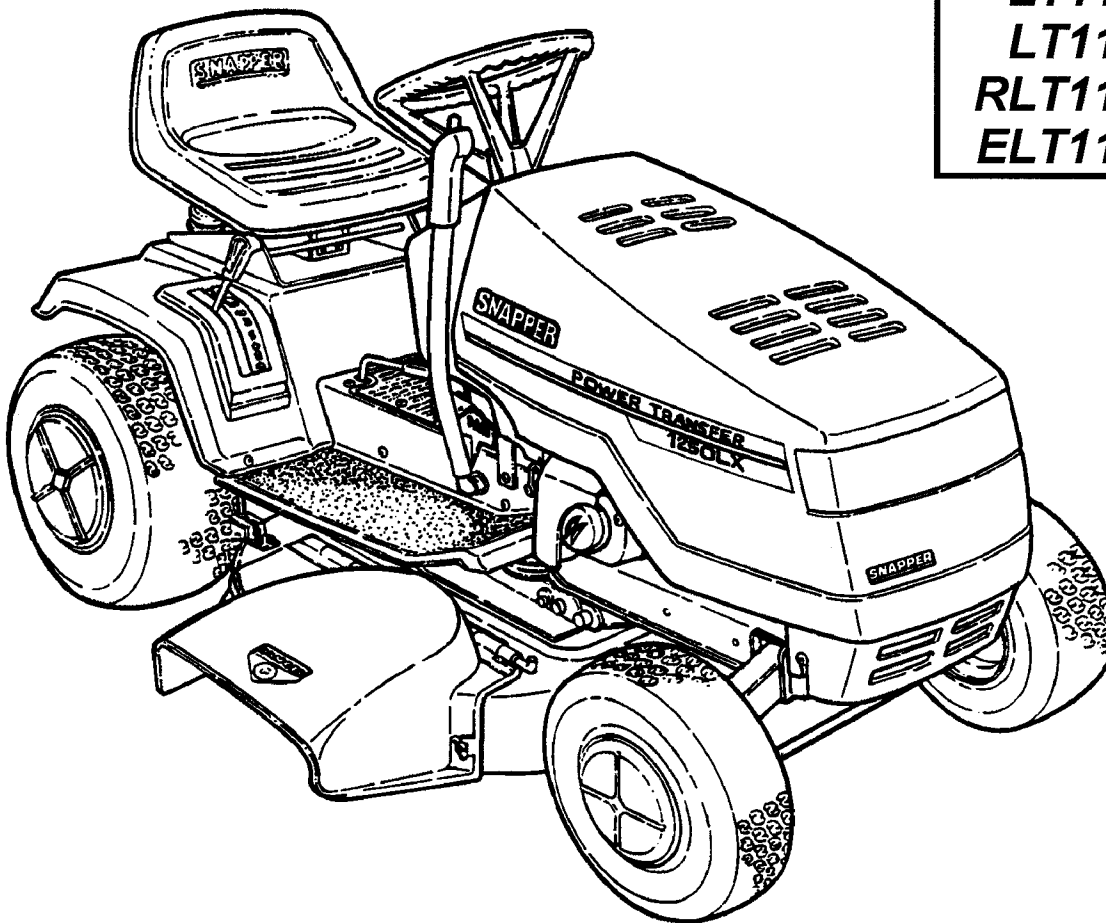
MODELS

LT115D331B

LT115D411B

RLT115D331B

ELT115D331B



SNAPPER McDonough, GA., 30253 U.S.A.

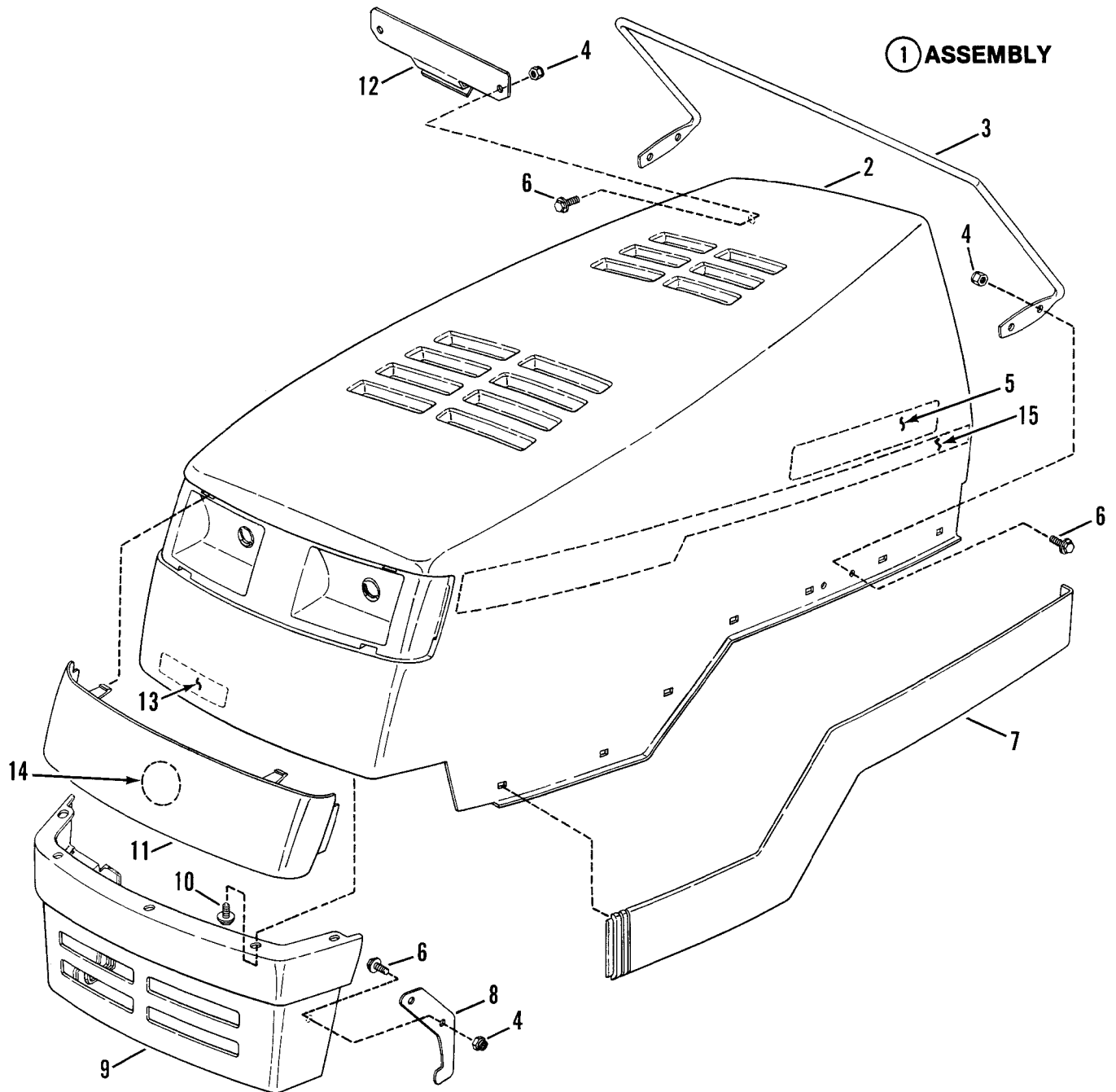
MANUAL No. 06426 (REV. 1, 11/96)

CONTENTS

PAGE	GROUP
3 _____	HOOD & BUMPER
4, 5 _____	DASH PANEL, FUEL TANK, BATTERY
6, 7 _____	ENGINE, ENGINE BASE & DRIVE PARTS
8, 9 _____	STEERING & FRONT AXLE PARTS
10, 11 _____	SEAT, REAR FENDER
12, 13 _____	CLUTCH, BRAKE & TRANSMISSION CONTROLS
14 _____	DISC DRIVE & CLUTCH YOKE
15 _____	BLADE ENGAGEMENT
16, 17 _____	TRANSMISSION ASSEMBLY PARTS
18, 19 _____	CHAIN CASE & SMOOTH CLUTCH ASSEMBLY
20, 21 _____	TRANSMISSION SUPPORT & COMPONENTS
22 _____	IMPLEMENT LIFT PARTS
23 _____	ELECTRICAL SYSTEM
24, 25 _____	33" CUTTING DECK, BELTS, BRAKES
26, 27 _____	41" CUTTING DECK
28 _____	BELT, BLADE BRAKE, 41" DECK
29 _____	WHEELS - FRONT
30 _____	WHEELS - REAR

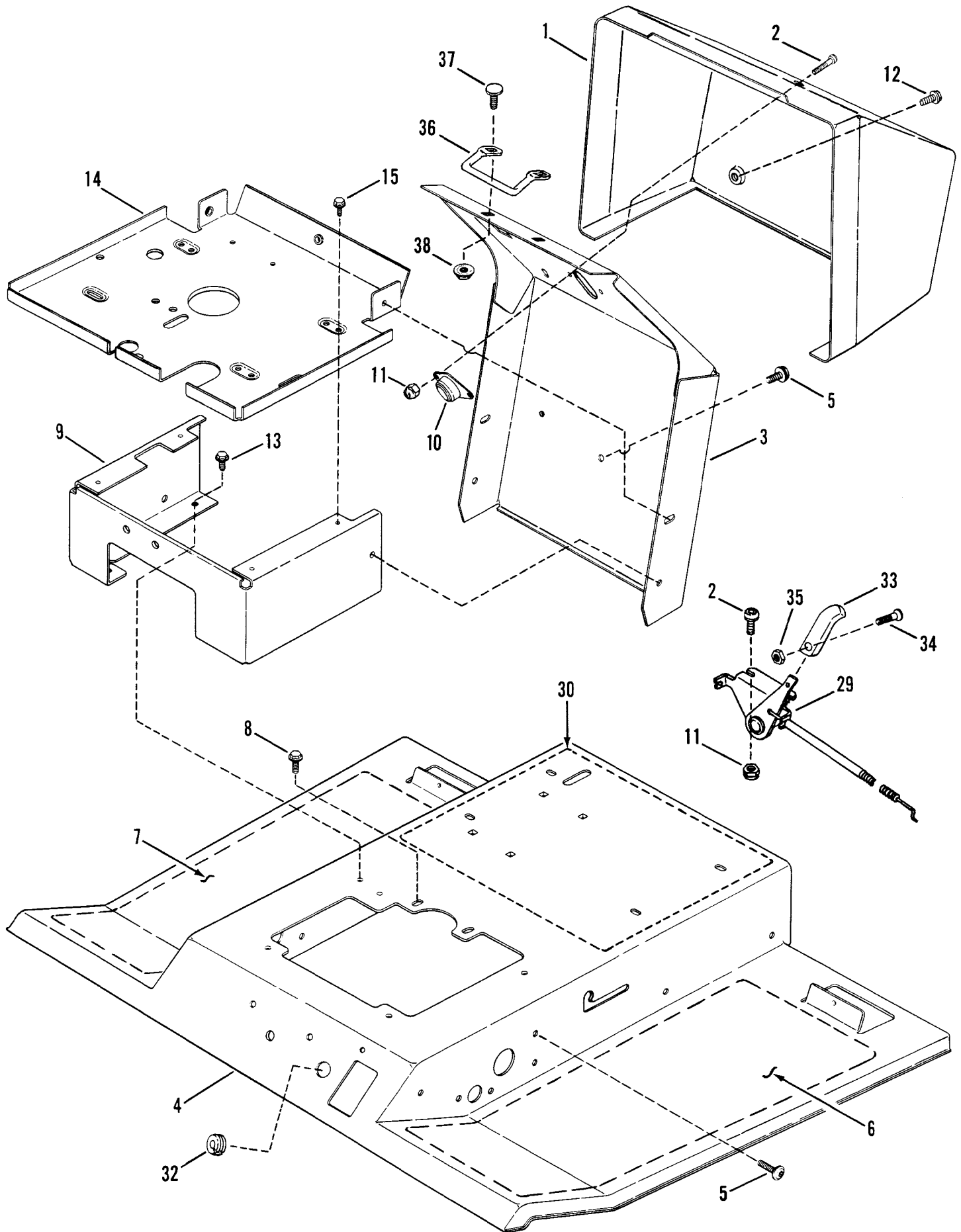
IT IS THE POLICY OF SNAPPER TO IMPROVE ITS PRODUCTS WHENEVER IT IS POSSIBLE AND PRACTICAL TO DO SO. WE RESERVE THE RIGHT TO MAKE CHANGES OR ADD IMPROVEMENTS AT ANY TIME WITHOUT INCURRING ANY OBLIGATION TO MAKE SUCH CHANGES ON PRODUCTS MANUFACTURED PREVIOUSLY.

HOOD & BUMPER



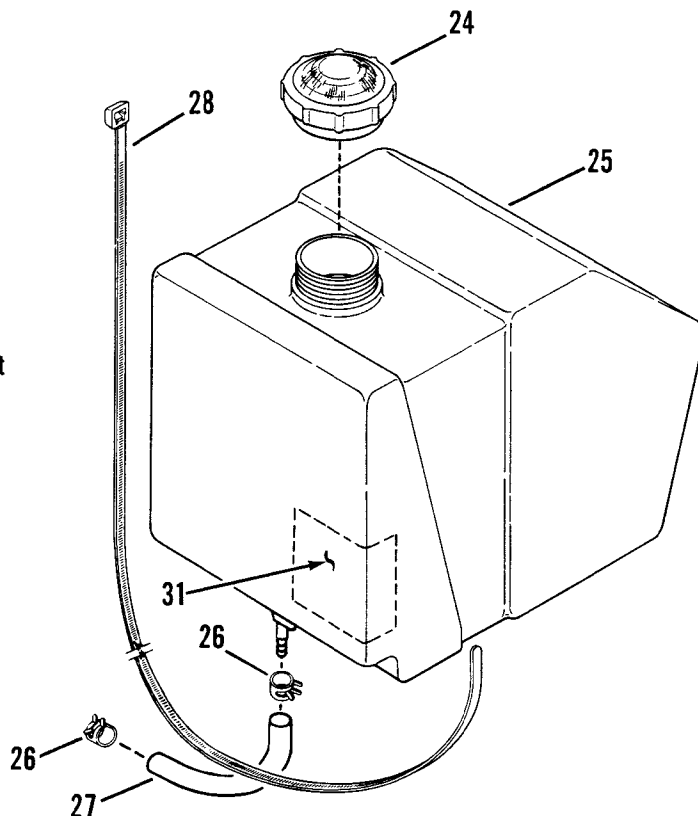
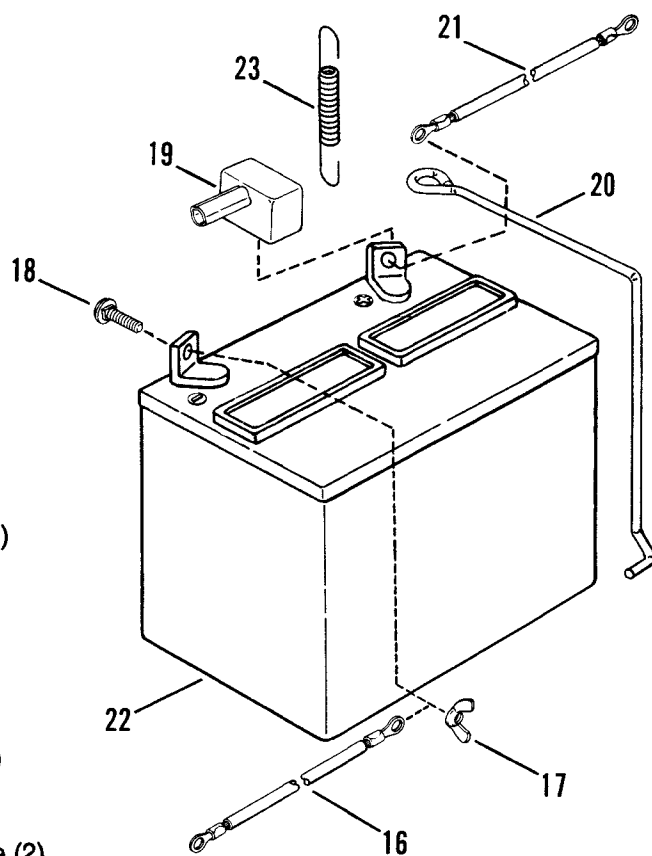
ITEM	PART NO.	DESCRIPTION	ITEM	PART NO.	DESCRIPTION
1	6-1160	KIT, Hood Assembly (Includes items 2 thru 12)	11	2-2738	LENS, Solid
2	1-9411	HOOD	12	1-7359	CLIP, Hood Latch
3	1-6766	ROD, Hood Latch	13	1-6876	DECAL-SNAPPER, Molded Logo (LT115D33 & LT115D41)
4	7-6978	NUT, 1/4-20 Hex Lock (10)	-	2-2969	DECAL-SNAPPER, Molded Logo (RLT115D33)
5	1-6974	DECAL-SNAPPER, Molded Logo (2)	14	2-2973	DECAL, Recycling (RLT115D33)
6	9-0999	SCREW, 1/4-20 x 5/8" Torx, Truss Head (10)	15	2-2978	DECAL, 1250LX (R.H.) (LT115D33 & LT115D41)
7	1-9412	BUMPER (R.H.)	-	2-2979	DECAL, 1250LX (L.H. Shown) (LT115D33 & LT115D41)
-	1-9413	BUMPER (L.H. Shown)	-	2-2980	DECAL, 1250LX (R.H.) (RLT115D33)
8	3-3265	BRACKET, Latch Hook	-	2-2981	DECAL, 1250LX (L.H. Shown) (RLT115D33)
9	1-9414	BUMPER, Front			
10	9-1106	SCREW, #12 x 1/2" (5)			

DASH PANEL, FUEL TANK, BATTERY

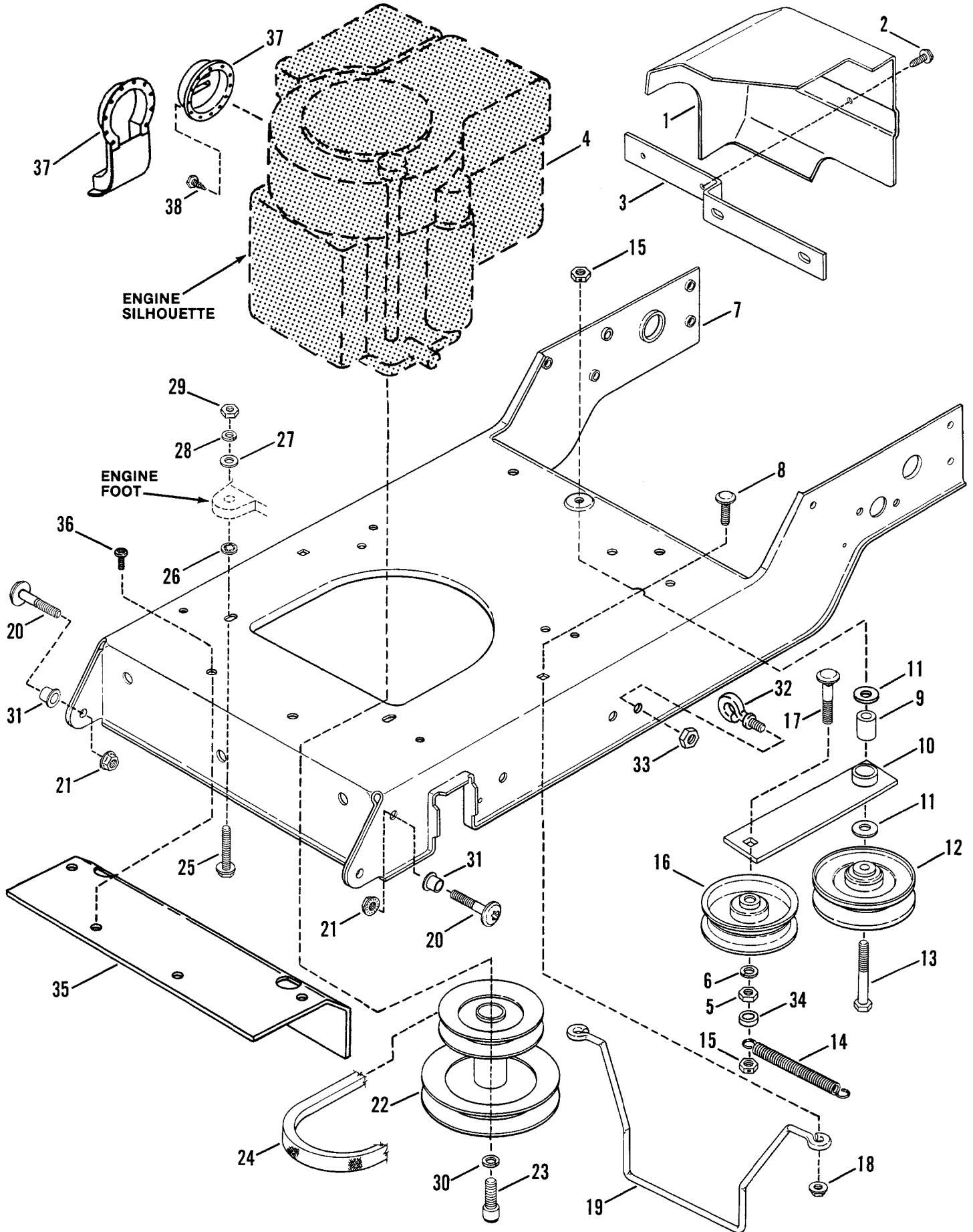


DASH PANEL, FUEL TANK, BATTERY

ITEM	PART NO.	DESCRIPTION
1	5-2685	PANEL, Dash
2	9-0996	SCREW, 1/4-20 x 1" Phillips (4)
3	4-0734	SUPPORT, Steering Shaft
4	5-1915	CHANNEL, Foot Rest (Includes item 30)
5	9-1001	SCREW, 5/16-18 x 5/8" Torx, S.T. (14)
6	1-9047	TREAD, Left Side (Non-Skid)
7	1-9046	TREAD, Right Side (Non-Skid)
8	9-0361	SCREW, 5/16-18 x 5/8" Hex Cap S.T. (2)
9	3-3073	MOUNT, Fuel Tank/Battery
10	2-3173	FLANGE ASSM'Y., Steering Shaft
11	7-6978	NUT, 1/4-20 Hex (4)
12	9-0853	SCREW, #10-24 x 1/2" Self-Tapping (2)
13	9-0858	SCREW, 5/16-18 x 1/2" Self-Tapping (4)
14	3-3078	PLATE, Fuel Tank & Battery Mount
15	9-0539	SCREW, 1/4-20 x 1/2" Hex Cap, S.T. (4)
16	1-4475	CABLE, Negative Terminal
17	9-0311	WING-NUT, 1/4-20 (2)
18	9-0074	BOLT, 1/4-20 x 3/4" Short Neck Carriage (2)
19	1-2444	COVER, Positive Terminal
20	2-2366	CLAMP, Battery
21	1-4476	CABLE, Positive Terminal
22	6-0618	KIT, Battery, 12 Volt
23	2-2696	SPRING, Battery Bracket
24	1-7808	CAP, Fuel Tank
25	5-2258	TANK, Fuel (Includes item 24)
26	1-2222	CLAMP, Fuel Line (2)
27	3-2038	LINE, Fuel (5" Long)
28	2-3195	CABLE-TIE, Fuel Tank Hold Down
29	2-2277	CONTROL, Throttle
30	1-7026	DECAL, Caution & Instruction
31	1-7788	HEAT SHIELD, Fuel Tank
32	1-4856	GROMMET, 5/16 I.D. x 1" O.D. Split
33	2-3655	HANDLE, Throttle Control
34	9-1017	SCREW, #8-32 x 3/8" Recessed, Fillister Head
35	9-1018	NUT, #8-32 Hex
36	1-7345	ROD, Hood Latch
37	9-0803	BOLT, 1/4-20 x 5/8" Flat Head Carriage (6)
38	9-0583	NUT, 1/4-20 Hex Flange Lock (6)



ENGINE, ENGINE BASE & DRIVE PARTS

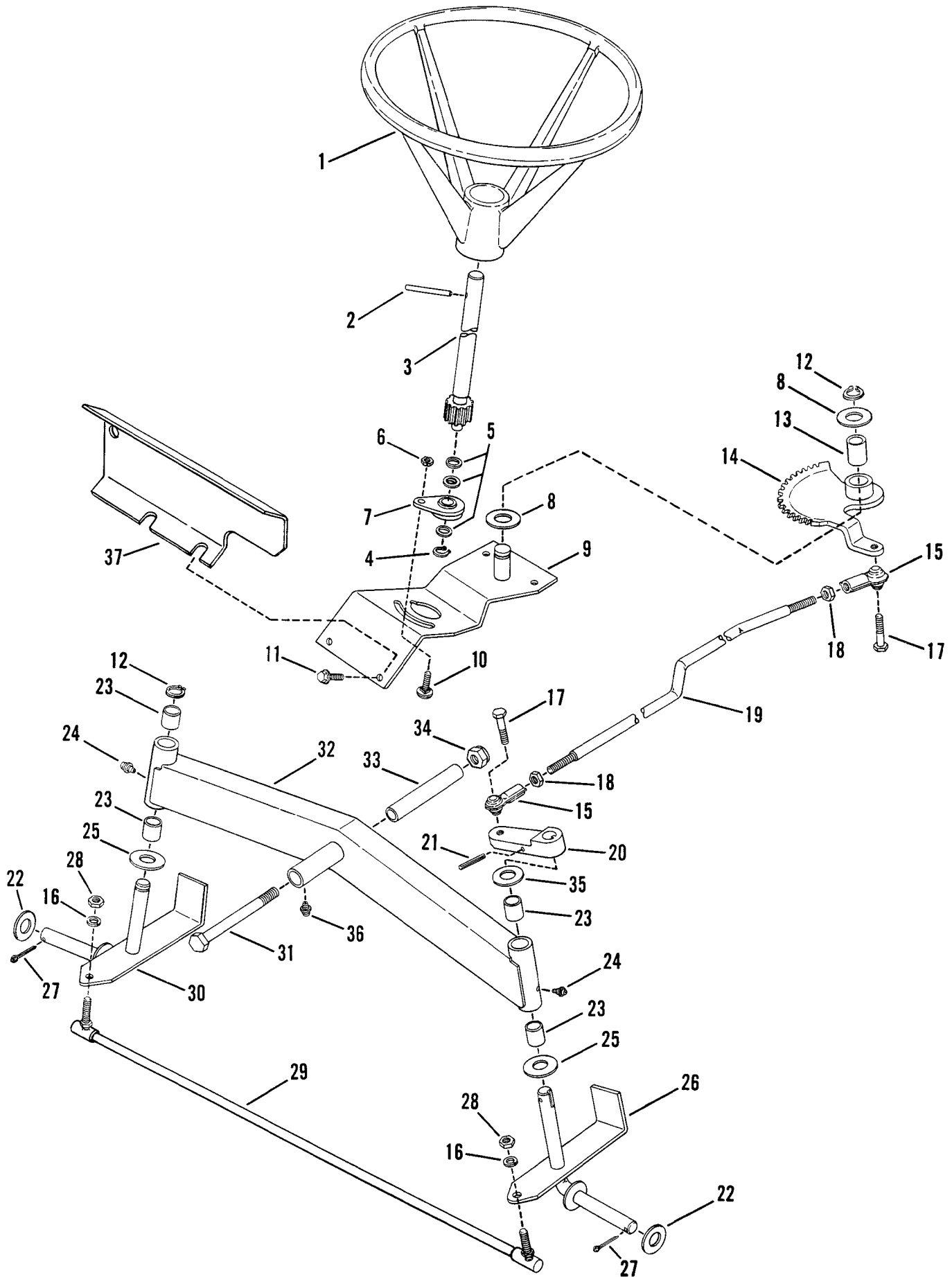


ENGINE, ENGINE BASE & DRIVE PARTS

ITEM	PART NO.	DESCRIPTION
1	1-7022	HEAT SHIELD
2	9-0853	SCREW, #10-24x1/2" H.W.S.T. (2)
3	3-3535	BRACKET, Heat Shield
4	*	ENGINE, Briggs & Stratton Model 257707, Type 0126
5	9-0130	NUT, 3/8-16 Hex
6	9-0118	LOCKWASHER, 3/8 Split (2)
7	3-3088	BASE, Engine
8	9-0788	BOLT, 5/16-18x3/4" Short Neck Carriage (2)
9	2-2062	BUSHING, Idler
10	4-0565	ARM, Idler
11	9-0600	WASHER, 3/8 Flat (2)
12	1-1029	PULLEY, Idler, 4" O.D.
13	9-0629	BOLT, 3/8-16x2-1/4" Hex
14	2-7856	SPRING, Idler Arm
15	9-0546	LOCKNUT, 3/8-16 Hex, Center Lock (2)
16	2-3199	PULLEY, Idler, 3-3/4" O.D.
17	9-1008	BOLT, 3/8-16x2-1/2" Short Neck Carriage
18	9-0585	LOCKNUT, 5/16-18 Hex Flange (2)
19	1-9042	GUIDE, Belt
20	2-3198	SCREW, Shoulder, 3/8-16x1-5/8" (2)
21	9-0613	LOCKNUT, 3/8-16 Hex Flange (2)
22	1-9036	PULLEY ASSEMBLY, Engine
23	9-0836	CAPSCREW, 7/16-20 Hex Socket Head
24	2-3626	V-Belt, Traction Drive, LT12D 33 & LT12D41
25	9-0211	SCREW, 5/16-18x1-1/2" Hex Head Cap (4)
26	1-1791	RETAINER, Bolt (4)
27	9-0188	WASHER, 5/16 Flat (4)
28	9-0187	LOCKWASHER, 5/16 Split (4)
29	9-0196	NUT, 5/16-18 Hex (4)
30	9-0247	LOCKWASHER, 7/16" Split
31	1-2306	BUSHING (2)
32	1-4438	EYE-BOLT
33	9-0184	LOCKNUT, 5/16-18 Hex
34	1-4527	SPACER
35	3-3100	AXLE SUPPORT
36	9-1001	SCREW, 5/16-18x5/8" Truss Hd. Torx (2)
37	1-6201	DEFLECTOR, Exhaust
	4-1537	DEFLECTOR, Exhaust
38	2-3023	SCREW, #8-18x3/8" Hex Hd. Tapered (4)

*PURCHASE ENGINE PARTS,
OTHER THAN THOSE LISTED,
FROM ENGINE SERVICE OUTLETS.

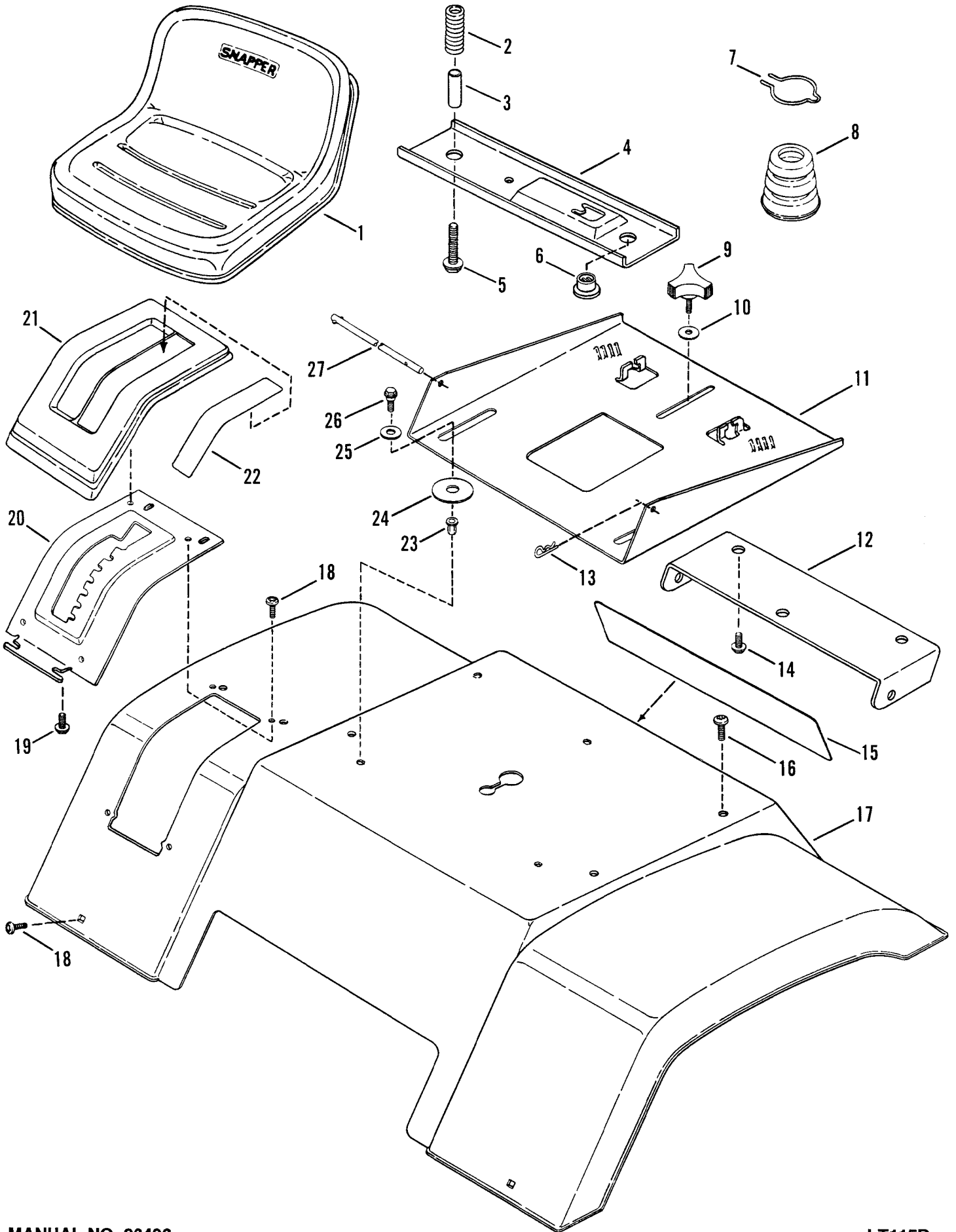
STEERING & FRONT AXLE PARTS



STEERING & FRONT AXLE PARTS

ITEM	PART NO.	DESCRIPTION
1	1-7040	STEERING WHEEL
2	1-2765	ROLL-PIN
3	4-0610	SHAFT, Steering
4	9-0038	RING, Retaining
5	1-4296	WASHER, Shim (3)
6	9-0583	NUT, 1/4-20 Hex Flange Lock
7	5-1751	ADJUSTER, Steering
8	1-1071	WASHER, Thrust (2)
9	4-7938	ASSEMBLY, Steering Support
10	9-0551	BOLT, 1/4-20 x 5/8" Short Neck Carriage
11	9-0361	SCREW, 5/16-18 x 5/8" Self-Tapping (4)
12	1-0746	RING, Retaining
13	1-5140	BEARING
14	5-1752	ASSEMBLY, Sector
15	2-3200	ROD-END, Drag Link (2)
16	9-0118	WASHER, 3/8 Split Lock (4)
17	9-0163	SCREW, 3/8-24 x 1 1/4" Hex Head Cap
18	9-0482	JAM-NUT, 3/8-24 Hex (2)
19	1-6062	DRAG-LINK
20	1-9034	ARM, Steering
21	9-0842	ROLL-PIN
22	3-2027	WASHER, Flat (3)
23	1-2706	BEARING, Sleeve (4)
24	1-3864	FITTING, Lube (2)
25	3-1036	WASHER, Thrust
26	4-0977	SPINDLE ASSEMBLY, L.H.
27	9-0364	COTTER-PIN (2)
28	9-0155	NUT, 3/8-24 Hex (2)
29	1-7608	TIE-ROD
30	4-0976	SPINDLE ASSEMBLY, R.H.
31	9-0993	SCREW, 1/2-20 x 4 1/2" Hex Head Cap
32	5-7536	ASSEMBLY, Front Axle (Includes four item 23, two item 24, one item 36)
33	2-2070	SPACER, Axle Pivot
34	9-0819	NUT, 1/2-20 Hex Lock
35	1-0935	WASHER
36	1-4871	FITTING, Lube
37	3-3264	HEAT SHIELD

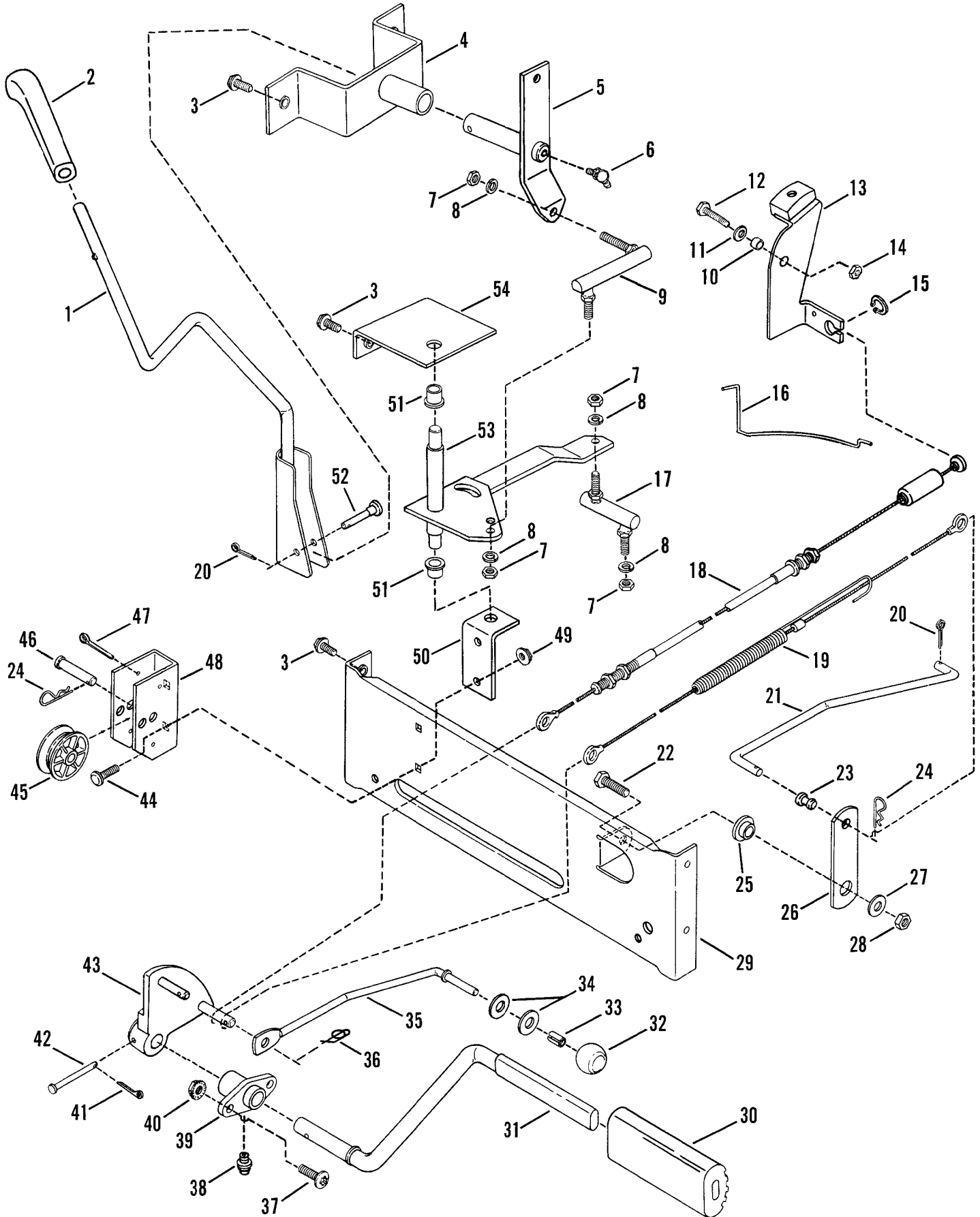
SEAT, REAR FENDER



SEAT, REAR FENDER

ITEM	PART NO.	DESCRIPTION
1	2-2545	SEAT, Operator's
2	2-2278	SPRING, Seat Switch (2)
3	2-2794	SPACER, Seat (2)
4	3-3362	HOLDER, Seat Switch
5	9-0586	BOLT, 5/16-18 x 2" Hex Flange Lock (2)
6	2-2793	BUSHING, Seat (2)
7	1-9348	CLIP, Seat Bumper (2)
8	1-9109	CUSHION, Seat (2)
9	2-3191	KNOB, Seat Adjustment
10	1-1763	WASHER
11	3-3360	SUPPORT, Seat
12	3-3361	BRACKET, Seat Support
13	1-2431	PIN, Hair
14	9-0721	BOLT, 5/16-18 x 1/2" Hex Flange Lock (3)
15	1-7149	DECAL, SNAPPER, Molded Logo (LT115D33 & LT115D41)
-	2-2972	DECAL, SNAPPER, Molded Logo (RLT115D33)
16	9-1000	SCREW, 5/16-18 x 7/8" Torx Head, Self-Tapping (4)
17	3-3049	FENDER, Rear
18	9-0999	SCREW, 1/4-20 x 5/8" Torx Head, Self-Tapping (6)
19	9-1105	SCREW, #10-16 x 1/2" Self-Tapping (4)
20	3-3048	DETENT, Shift
21	1-9416	COVER, Shift Detent
22	1-6576	DECAL, Shift Cover
23	2-3193	RIV-NUT, 5/16-18 (3)
24	3-2692	SPACER (3)
25	2-3192	WASHER (2)
26	1-5761	SCREW, Shoulder, 5/16-18 x 3/4" (2)
27	1-9035	ROD, Seat Hinge

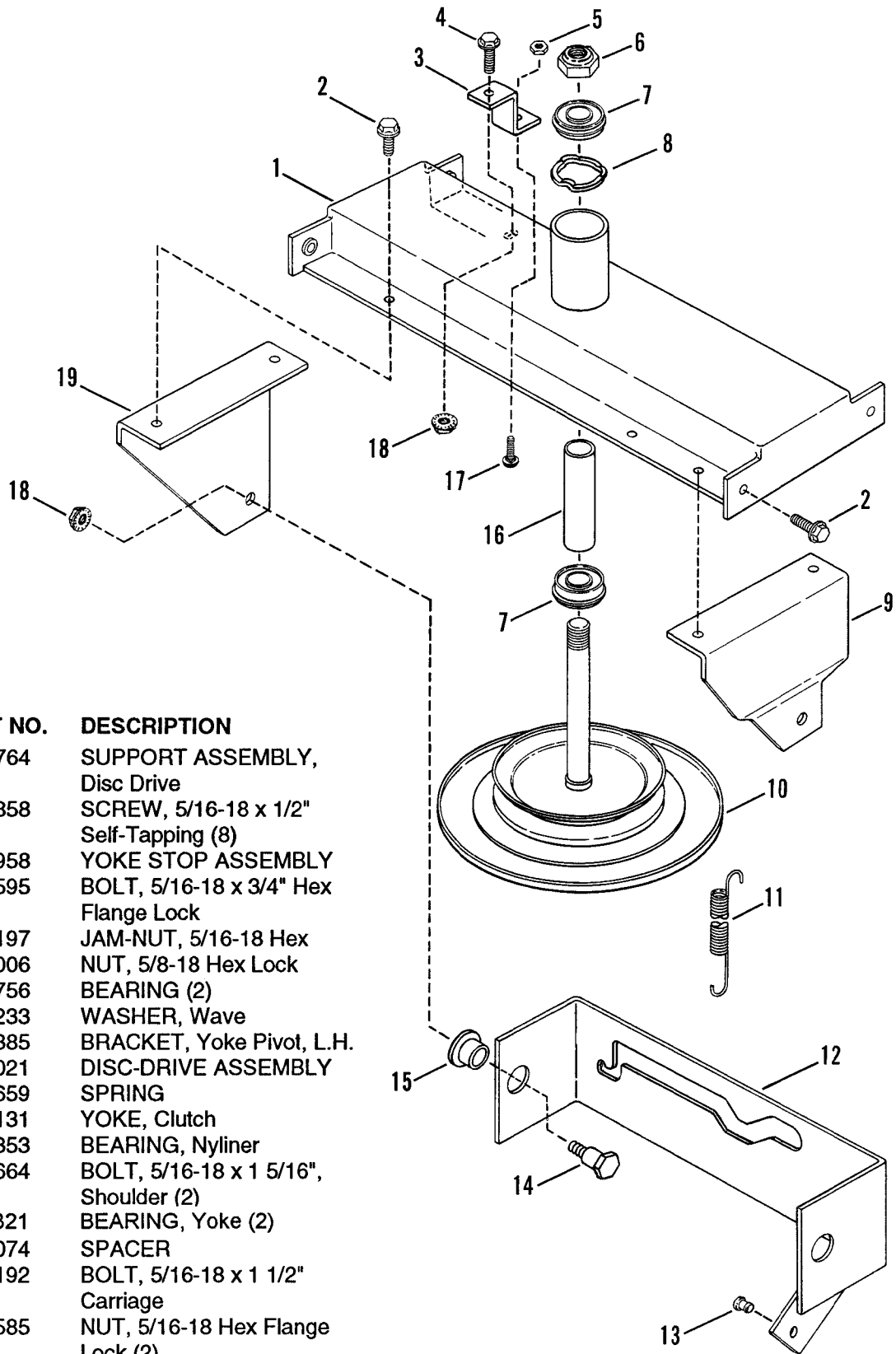
CLUTCH, BRAKE & TRANSMISSION CONTROLS



CLUTCH, BRAKE & TRANSMISSION CONTROLS

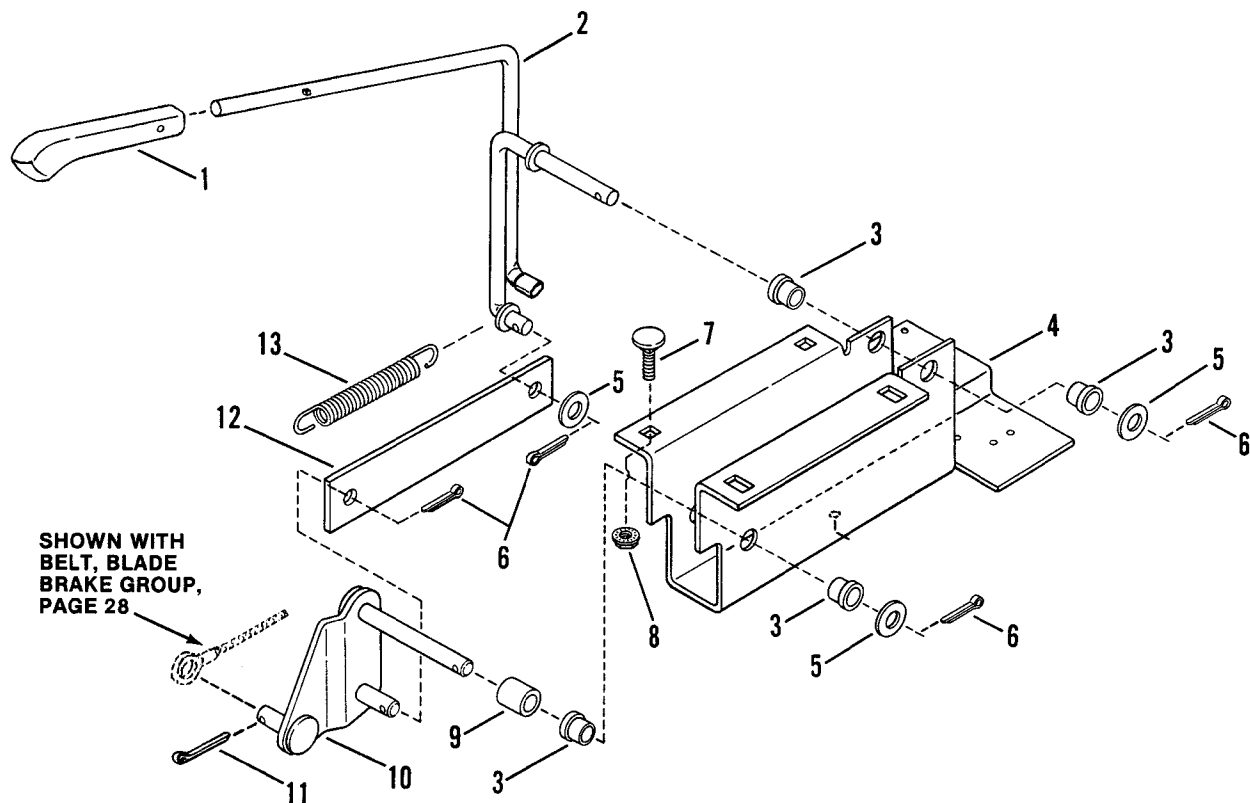
ITEM	PART NO.	DESCRIPTION
1	4-0673	SHIFTER, Transmission
2	2-3656	KNOB, Shifter (Elongated)
3	9-0858	SCREW, 5/16-18 x 1/2" Self-Tapping (4)
4	4-0993	PIVOT, Shifter
5	5-2702	ARM, Shifter Assembly (Includes item 6)
6	1-3324	FITTING, Lube
7	9-0223	NUT, 5/16-24 Hex (4)
8	9-0187	WASHER, 5/16 Split Lock (4)
9	2-3179	LINK, Shift
10	1-0916	SPACER
11	9-0055	WASHER, 1/4 SAE Flat
12	9-0535	SCREW, 1/4-28 x 1" Hex Head Cap
13	5-2497	LEVER, Brake Assembly
14	9-0303	NUT, 1/4-28 Hex Lock
15	1-2313	RING, Retaining
16	2-2371	SPRING, Brake Return
17	1-1018	LINK, Shift
18	1-6821	CABLE, Brake
19	1-9170	CABLE, Clutch (23.5" Long)
20	9-0037	COTTER-PIN, 3/32 x 3/4" (2)
21	1-9032	ROD, Clutch
22	9-0160	SCREW, 3/8-24 x 1" Hex Head Cap
23	1-6353	BEARING, Nylon
24	1-2431	PIN, Hair (2)
25	1-4314	SPACER
26	3-2932	ARM, Pivot
27	9-0122	WASHER, 3/8 SAE Flat
28	9-0289	NUT, 3/8-24 Hex Lock
29	3-2926	BRACE
30	1-2661	PAD, Pedal
31	1-7024	PEDAL, Clutch/Brake
32	2-3188	KNOB, Latch
33	2-3189	RING, Tolerance
34	2-3649	WASHER (2)
35	1-9033	LATCH, Clutch/Brake
36	2-4159	COTTER-PIN, 3/8 Self-Lock
37	9-1000	SCREW, 5/16-18 x 7/8" Torx (2)
38	1-4871	FITTING, Lube
39	5-2431	PIVOT, Clutch/Brake Pedal (Includes item 38)
40	9-0585	NUT, 5/16-18 Hex Lock (2)
41	9-0360	COTTER-PIN, 1/16 x 3/4"
42	2-3645	PIN, 3/16 x 1 1/2"
43	4-1016	BRACKET, Pedal Pivot
44	9-0074	BOLT, 1/4-20 x 3/4" Short Neck Carriage (2)
45	2-3182	SPOOL, Bracket
46	1-2715	PIN, Clevis, 3/8 x 1 9/32"
47	9-0042	COTTER-PIN, 1/8 x 1 1/4"
48	3-2694	BRACKET, Spool
49	9-0583	NUT, 1/4-20 Hex Flange Lock
50	3-2925	BRACKET, Pivot
51	1-1016	BEARING (2)
52	2-3914	PIN, Clevis, 1/4 x 5/8"
53	4-0995	LEVER, Shift
54	3-2710	BRACKET, Shift

DISC DRIVE & CLUTCH YOKE



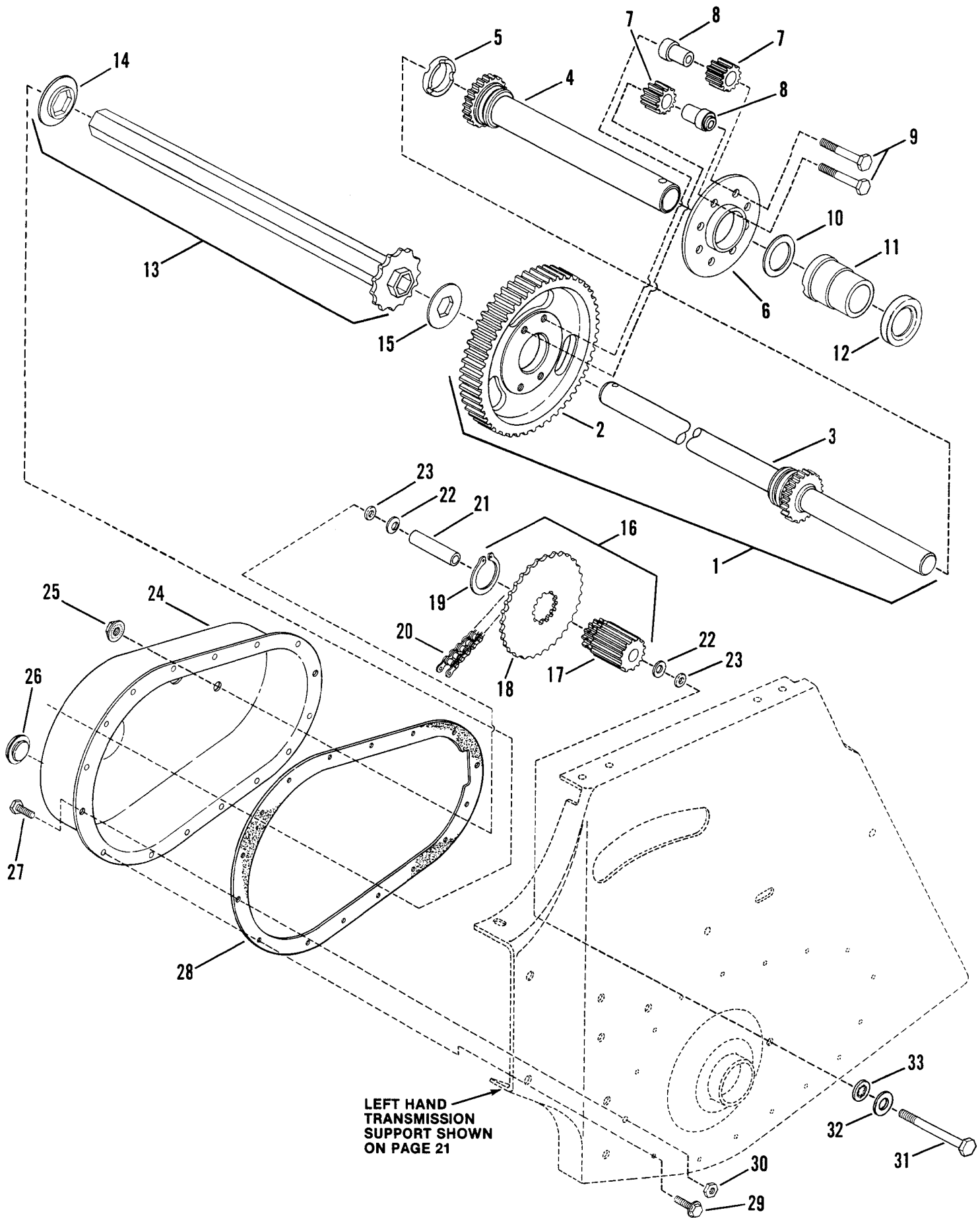
ITEM	PART NO.	DESCRIPTION
1	4-9764	SUPPORT ASSEMBLY, Disc Drive
2	9-0858	SCREW, 5/16-18 x 1/2" Self-Tapping (8)
3	5-1958	YOKE STOP ASSEMBLY
4	9-0595	BOLT, 5/16-18 x 3/4" Hex Flange Lock
5	9-0197	JAM-NUT, 5/16-18 Hex
6	9-1006	NUT, 5/8-18 Hex Lock
7	1-0756	BEARING (2)
8	1-6233	WASHER, Wave
9	3-8385	BRACKET, Yoke Pivot, L.H.
10	1-7021	DISC-DRIVE ASSEMBLY
11	1-4659	SPRING
12	4-1131	YOKE, Clutch
13	1-6353	BEARING, Nyliner
14	1-4664	BOLT, 5/16-18 x 1 5/16", Shoulder (2)
15	1-3321	BEARING, Yoke (2)
16	2-2074	SPACER
17	9-0192	BOLT, 5/16-18 x 1 1/2" Carriage
18	9-0585	NUT, 5/16-18 Hex Flange Lock (2)
19	3-8384	BRACKET, Yoke Pivot, R.H.

BLADE ENGAGEMENT



ITEM	PART NO.	DESCRIPTION
1	1-6356	KNOB, Handle
2	4-0996	HANDLE, Blade Engagement
3	1-3321	BUSHING (4)
4	3-3364	BRACKET, Handle
5	9-0122	WASHER (3)
6	9-0037	COTTER-PIN, 3/32 x 3/4" (2)
7	9-0803	BOLT, 1/4-20 x 5/8" Flat Head Carriage (4)
8	9-0583	NUT, 1/4-20 Hex Flange Lock (4)
9	2-3206	SPACER
10	4-0570	PIVOT ARM ASSEMBLY
11	9-0038	COTTER-PIN, 3/32 x 1"
12	3-2712	LINK
13	2-3165	SPRING, Return

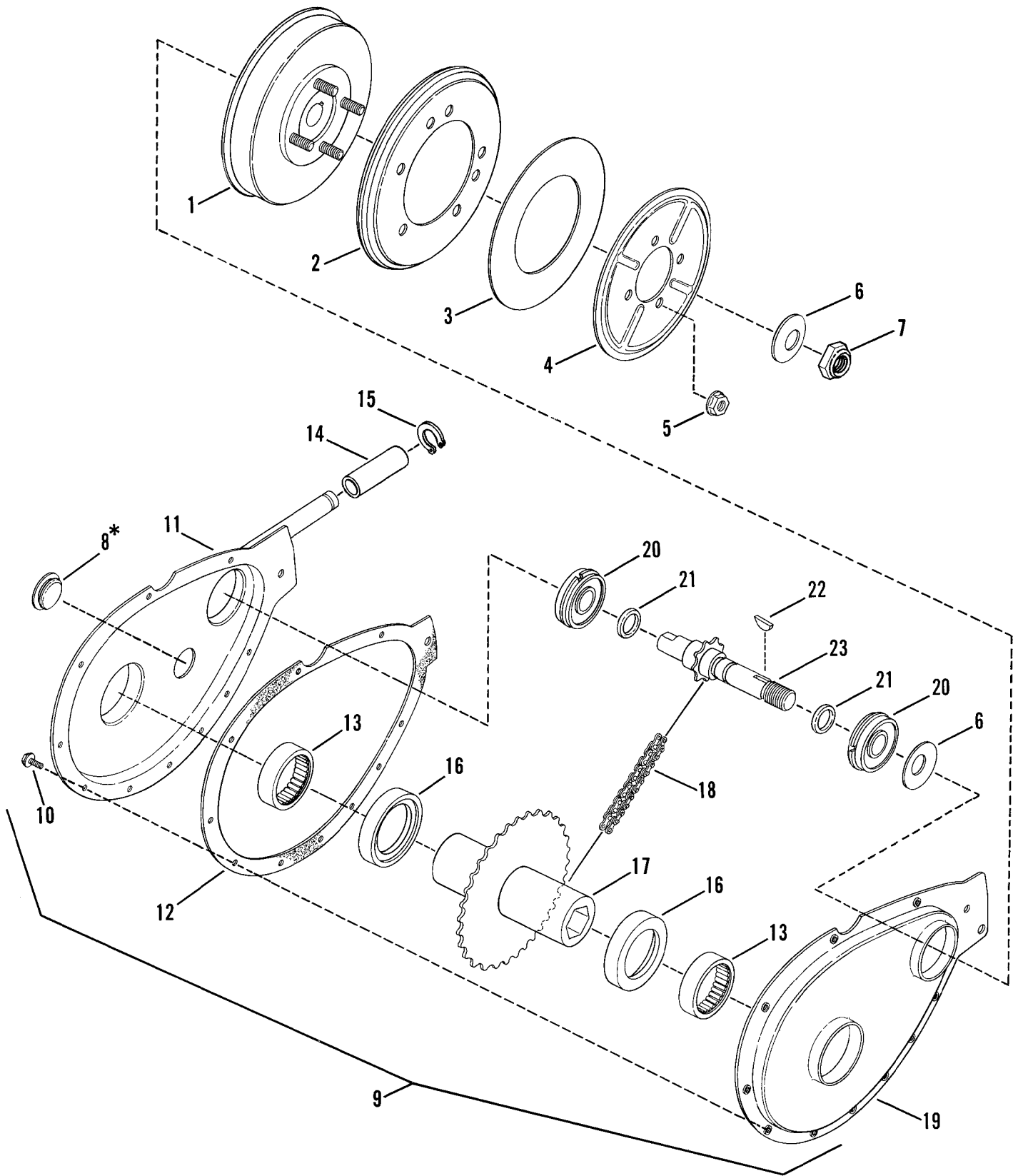
TRANSMISSION ASSEMBLY PARTS



TRANSMISSION ASSEMBLY PARTS

ITEM	PART NO.	DESCRIPTION
1	5-9742	ASSEMBLY, Differential (Includes items 2 thru 9)
2	2-1158	GEAR, 63 Teeth, 10 Pitch
3	4-7935	AXLE, Long (Includes Gear)
4	5-7532	AXLE, Short (Includes Gear & 2 Internal Bearings)
5	1-1026	SPACER
6	3-8067	PLATE, Differential
7	2-1127	PINION GEARS, Differential (4)
8	2-2115	SPACER, Pinion (4)
9	1-2333	BOLT, 5/16-24x1-5/8" Hex, Special Lock Cap (4)
10	3-1079	WASHER, Thrust
11	1-2296	BEARING, Axle, L.H. Transmission Support (Listed with L.H. Fender Assm'y. on Page 21)
12	1-1817	SEAL, Oil
13	5-1584	ASSEMBLY, Drive Hex Tube (Includes item 14)
14	1-0988	WASHER, Hex Insert
15	1-1072	WASHER, Thrust
16	5-0257	ASSEMBLY, Gear & Sprocket (Includes items 17, 18, & 19)
17	1-0964	GEAR, 11 Teeth, 10 Pitch
18	2-1129	SPROCKET
19	1-0965	RING, Retaining
20	1-0941	CHAIN, 46 Pitch (#35)
21	2-1128	SPACER
22	1-1782	WASHER, Belleville (2)
23	1-1156	O-RING, 5/16" (2)
24	3-6257	CASE, Transmission
25	1-0969	NUT, 5/16-24 Hex Flange Lock
26	1-1024	PLUG, Oil Fill & Check (2)
27	9-0072	SCREW, 1/4-20x5/8" Hex Head Cap (2)
28	1-8060	GASKET, Transmission Case
29	9-0362	SCREW, 1/4-20x5/8" Self-Tapping (14)
30	9-0372	NUT, 1/4-20 Hex Lock (2)
31	1-1042	BOLT, Idler, 5/16-24x2-5/8"
32	9-0188	WASHER, Flat
33	9-0395	WASHER, 5/16" Internal Tooth Lock

CHAIN CASE & SMOOTH CLUTCH ASSM'Y.

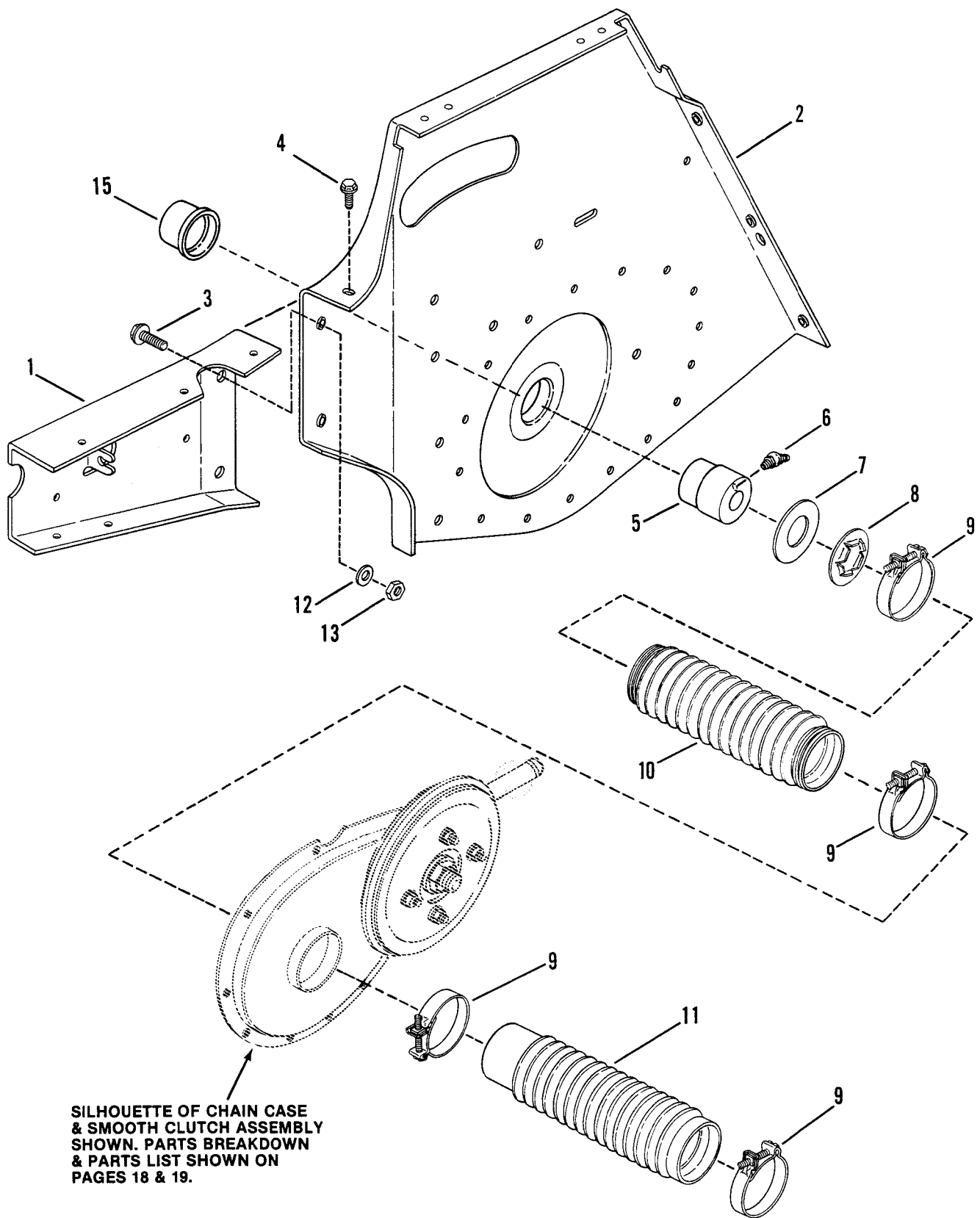


CHAIN CASE & SMOOTH CLUTCH ASSM'Y.

ITEM	PART NO.	DESCRIPTION
1	5-7338	HUB, Driven Disc
2	5-7423	DISC, Driven
3	1-4523	WASHER, Thrust
4	3-2331	PLATE
5	9-0585	NUT, 5/16-18 Hex Flange Lock (4)
6	1-1121	WASHER, Belleville (2)
7	9-1006	NUT, 5/8-18 Hex Lock
8*	1-1024	PLUG, Oil Fill & Check
9	5-2683	ASSEMBLY, Chain Case (Includes items 10 Thru 23 & 1 ea. item 6)
10	9-0913	SCREW, #10-24 x 1/2" H.W.S.T. (Torx) (10)
11	4-1136	CASE, Sprocket
12	1-8059	GASKET, Case Cover
13	1-0942	BEARING, Needle (2)
14	2-2785	ROLLER
15	1-0776	RING, Retaining
16	1-1086	WASHER, Nylon Thrust (2)
17	4-0355	HUB & SPROCKET
18	1-0941	CHAIN
19	3-9778	COVER, Chain Case
20	1-0756	BEARING, Ball (2)
21	1-9260	"O" RING (2)
22	1-0614	KEY, Woodruff
23	1-8963	SPROCKET & SHAFT

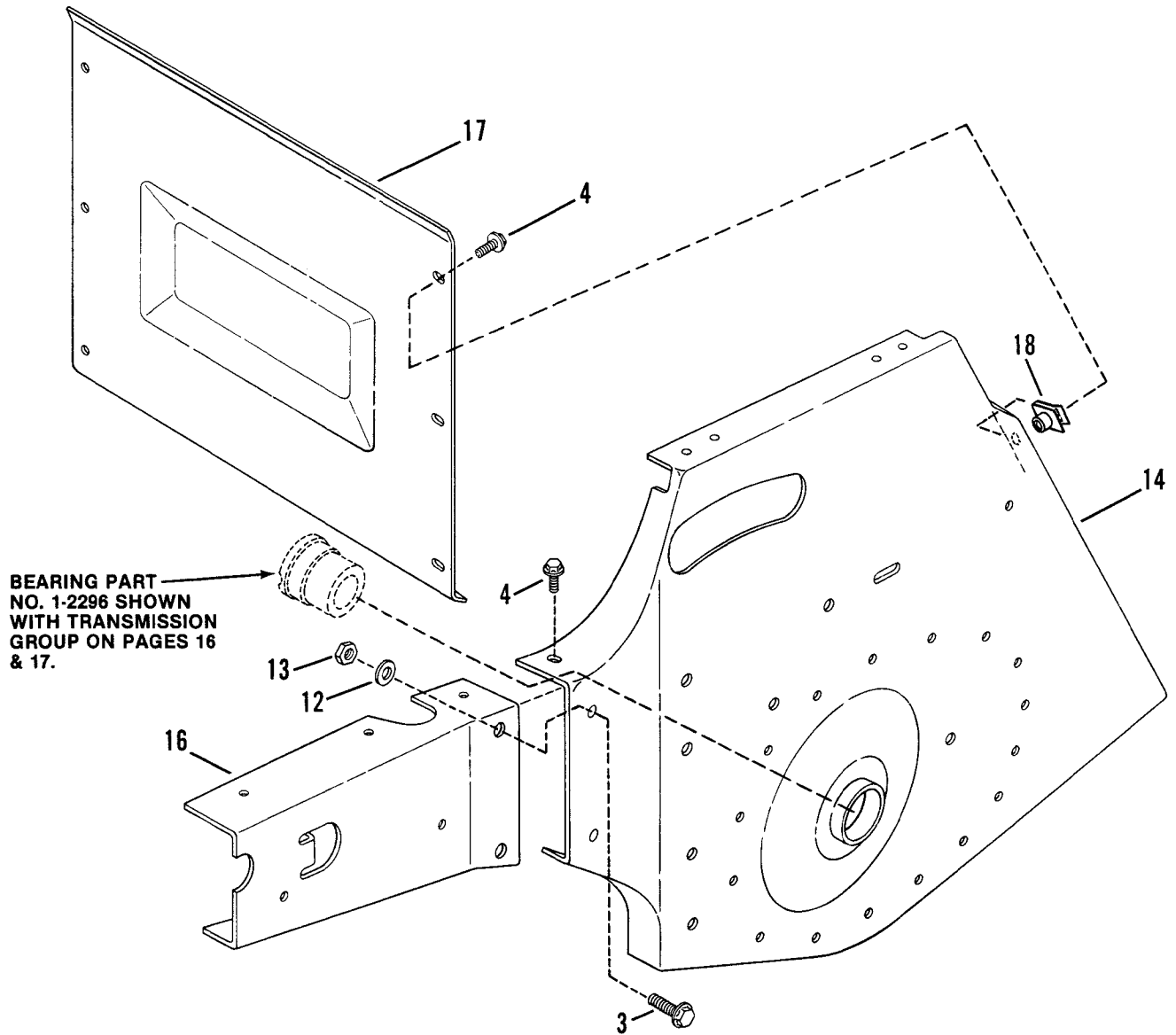
***ITEM 8 IS NOT
INCLUDED WITH
ASSEMBLY 5-2683**

TRANSMISSION SUPPORT & COMPONENTS



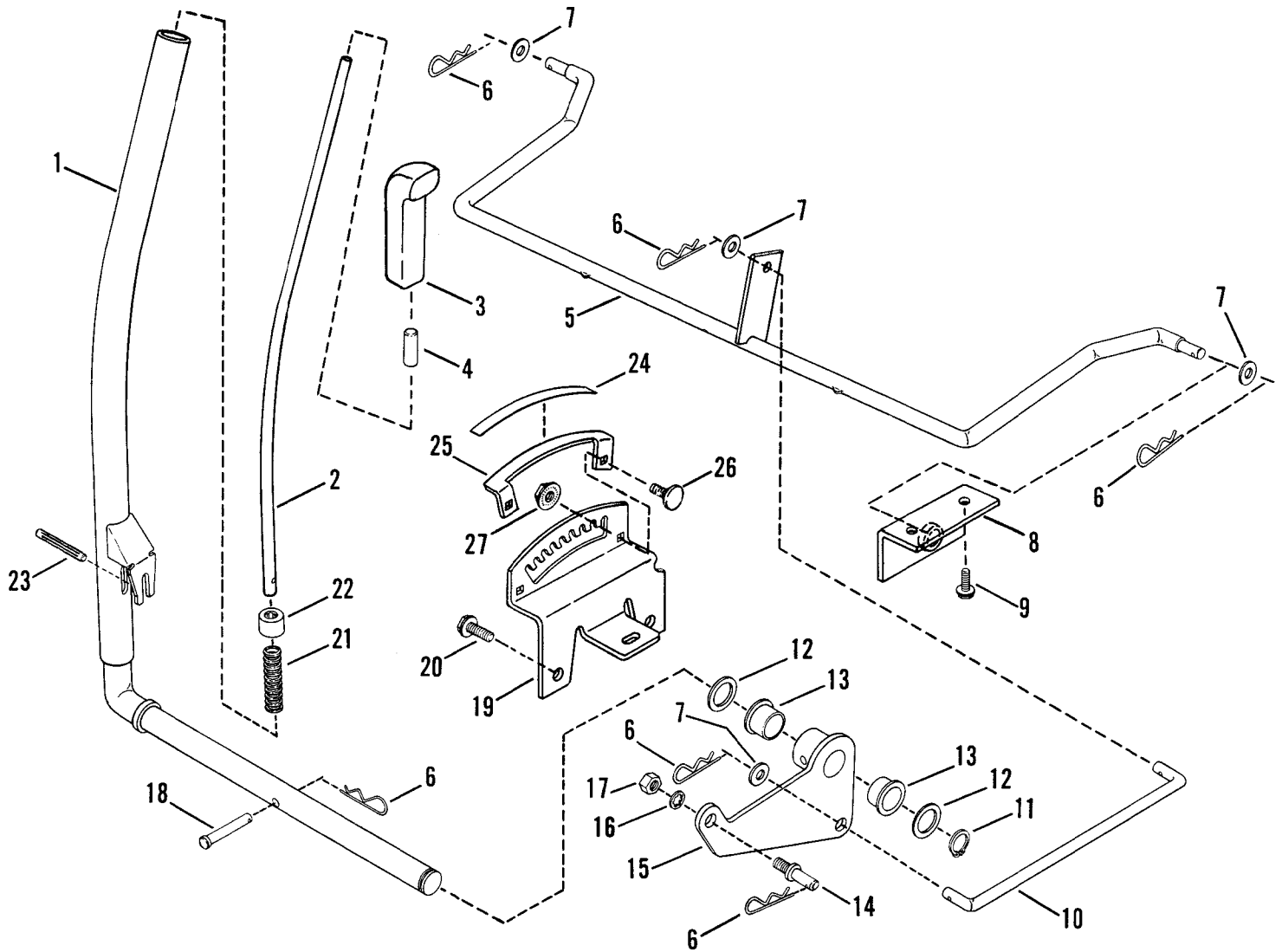
SILHOUETTE OF CHAIN CASE
& SMOOTH CLUTCH ASSEMBLY
SHOWN. PARTS BREAKDOWN
& PARTS LIST SHOWN ON
PAGES 18 & 19.

TRANSMISSION SUPPORT & COMPONENTS



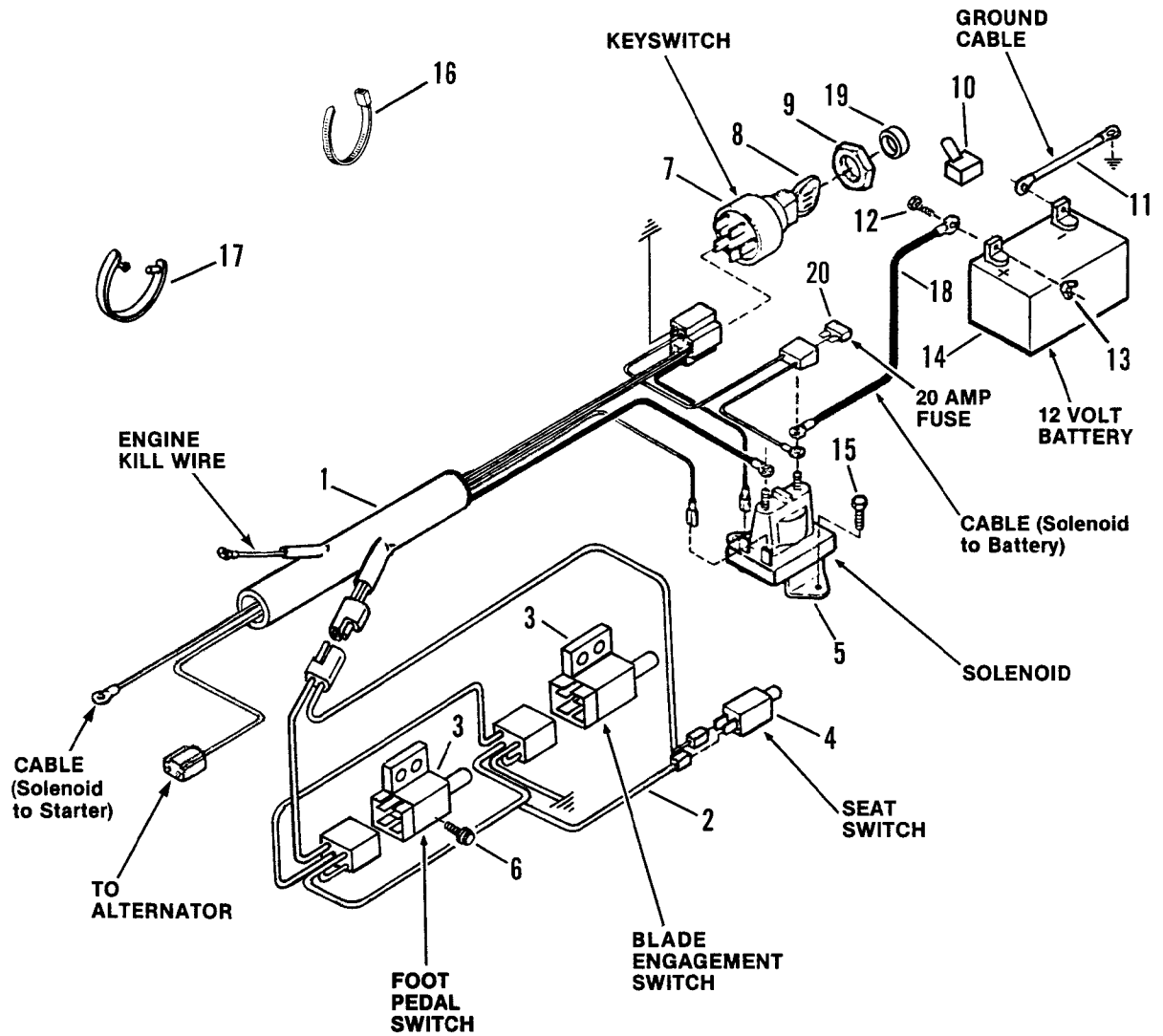
ITEM	PART NO.	DESCRIPTION
1	3-5180	EXTENSION, Transmission Support, R.H.
2	3-5144	TRANSMISSION SUPPORT, R.H.
3	9-0582	BOLT, 3/8-16x1" Hex Flange Lock (4)
4	9-0361	SCREW, 5/16-18x5/8" Self-Tapping (8)
5	5-1746	BEARING ASSM'Y., Axle (Includes item 6)
6	1-3324	FITTING, Lube
7	1-1071	WASHER, Thrust
8	1-1072	WASHER, Thrust, Hex Drive Tube
9	1-1037	CLAMP, Boot (4)
10	1-7083	BOOT, Oil Seal
11	1-6303	BOOT, Oil Seal
12	9-0122	WASHER, 3/8 SAE (4)
13	9-0546	NUT, 3/8-16 Center Lock (4)
14	5-1759	TRANSMISSION SUPPORT, L.H. (Includes Bearing P.N. 1-2296 shown on Pages 16 & 17)
15	1-0967	DUST CAP, L.H. Transmission Support
16	3-5179	EXTENSION, Transmission Support, L.H.
17	3-6252	COVER, Rear
18	1-6116	NUT, 5/16 Push-on

IMPLEMENT LIFT PARTS



ITEM	PART NO.	DESCRIPTION	ITEM	PART NO.	DESCRIPTION
1	4-0698	ARM, Implement Lift Lever	14	1-5464	STUD
2	3-3047	ROD, Lift Lever	15	4-7933	PIVOT ASSEMBLY, Lift Lever
3	1-9363	GRIP, Lift Lever	16	9-0390	WASHER, 3/8 Int. Tooth Lock
4	1-4361	CAP, Lift Release	17	9-0155	NUT, 3/8-24 Hex
5	4-7967	ARM, Rear Lift	18	1-2407	PIN, Clevis, 5/16 x 1-11/16"
6	1-5067	PIN, Hair, 3/32 x 1-1/2" (5)	19	3-3046	QUADRANT, Lift Lever
7	9-0122	WASHER, 3/8 SAE Flat (4)	20	9-1001	SCREW, 5/16-18 x 5/8" Self-Tapping (3)
8	3-3419	BRACKET, Hanger (2)	21	1-4432	SPRING, Lift Lever
9	9-0361	SCREW, 5/16-18 x 5/8" H.W.H.S.T. (4)	22	1-5019	PLUG, Lift Lever
10	2-3171	LIFT-ROD	23	9-0881	GROOVE-PIN, 3/16 x 2"
11	1-5020	RING, Retaining	24	1-7445	DECAL, Cut Height
12	1-4354	WASHER, Lift Lever (2)	25	3-3176	INDICATOR, Cut Height
13	2-3197	BEARING, Lift Lever (2)	26	9-0803	BOLT, 1/4-20 x 5/8" Flt. Hd. Carr. (2)
			27	9-0583	NUT, 1/4-20 Hex Flg. Lock (2)

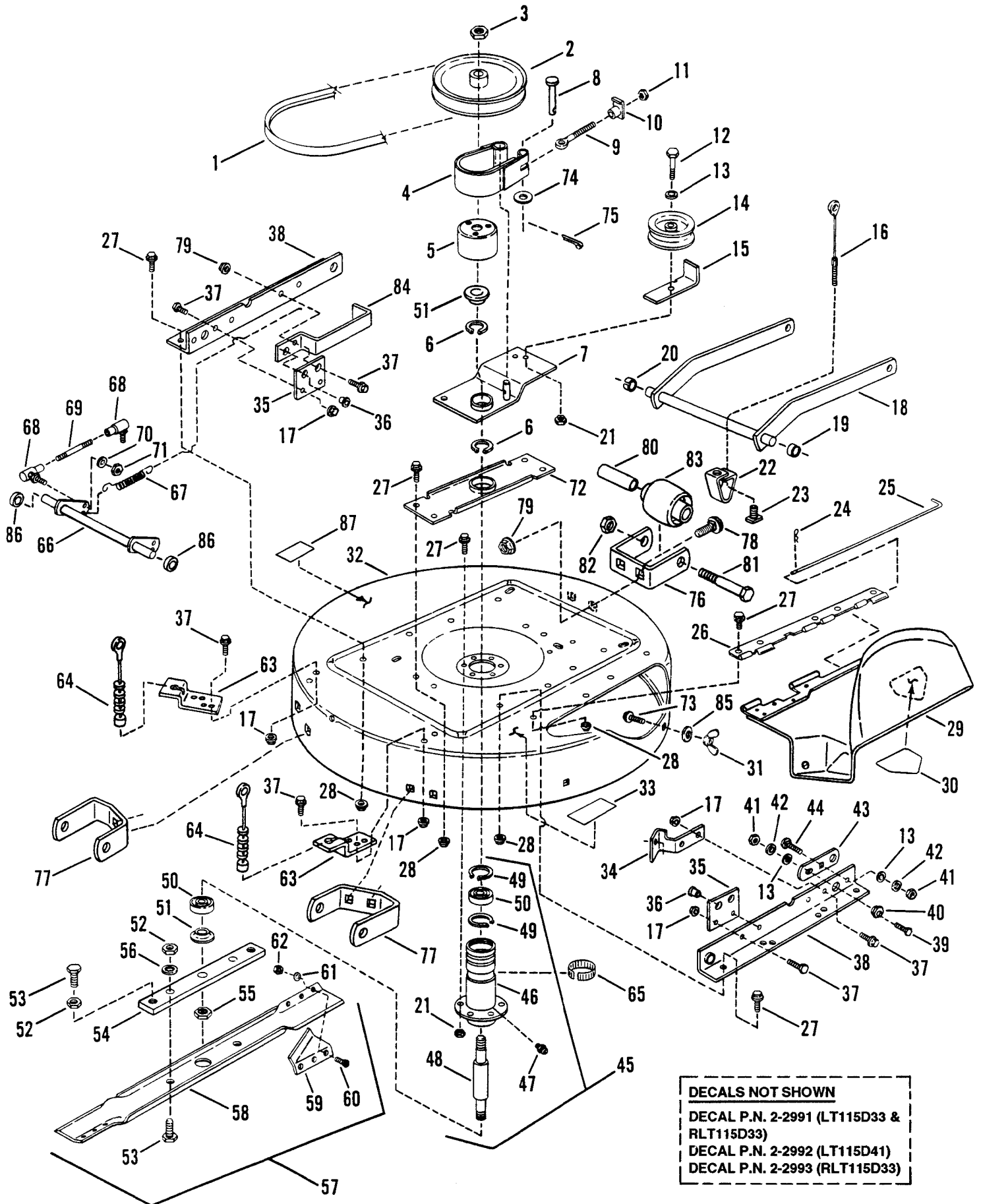
ELECTRICAL SYSTEM



ITEM	PART NO.	DESCRIPTION
1	2-2763	HARNESS, Wiring (B. & S.)
2	2-4126	HARNESS, Interlock
3	2-3355	SWITCH, Clutch & PTO (2)
4	1-7590	SWITCH, Seat
5	1-8604	SOLENOID
6	9-0307	SCREW, #10-24 x 1/2" Self-Tapping
7	1-8562	SWITCH, Key (Includes 2 each item 8)
8	2-3504	KEY (2)
9	2-3505	NUT, 5/8-32 Hex
10	1-2444	COVER, Positive Terminal

ITEM	PART NO.	DESCRIPTION
11	1-4475	CABLE, Negative
12	9-0074	BOLT, 1/4-20 x 3/4" Carriage (2)
13	9-0311	WING-NUT, 1/4-20 (2)
14	6-0618	KIT, Battery
15	9-0539	SCREW, 1/4-20 x 1/2" Self-Tapping (2)
16	1-2080	TIE, Cable (4)
17	1-4451	TIE, Wire (5)
18	1-4476	CABLE, Positive
19	2-3506	BEZEL
20	2-3653	FUSE, 20 Amp

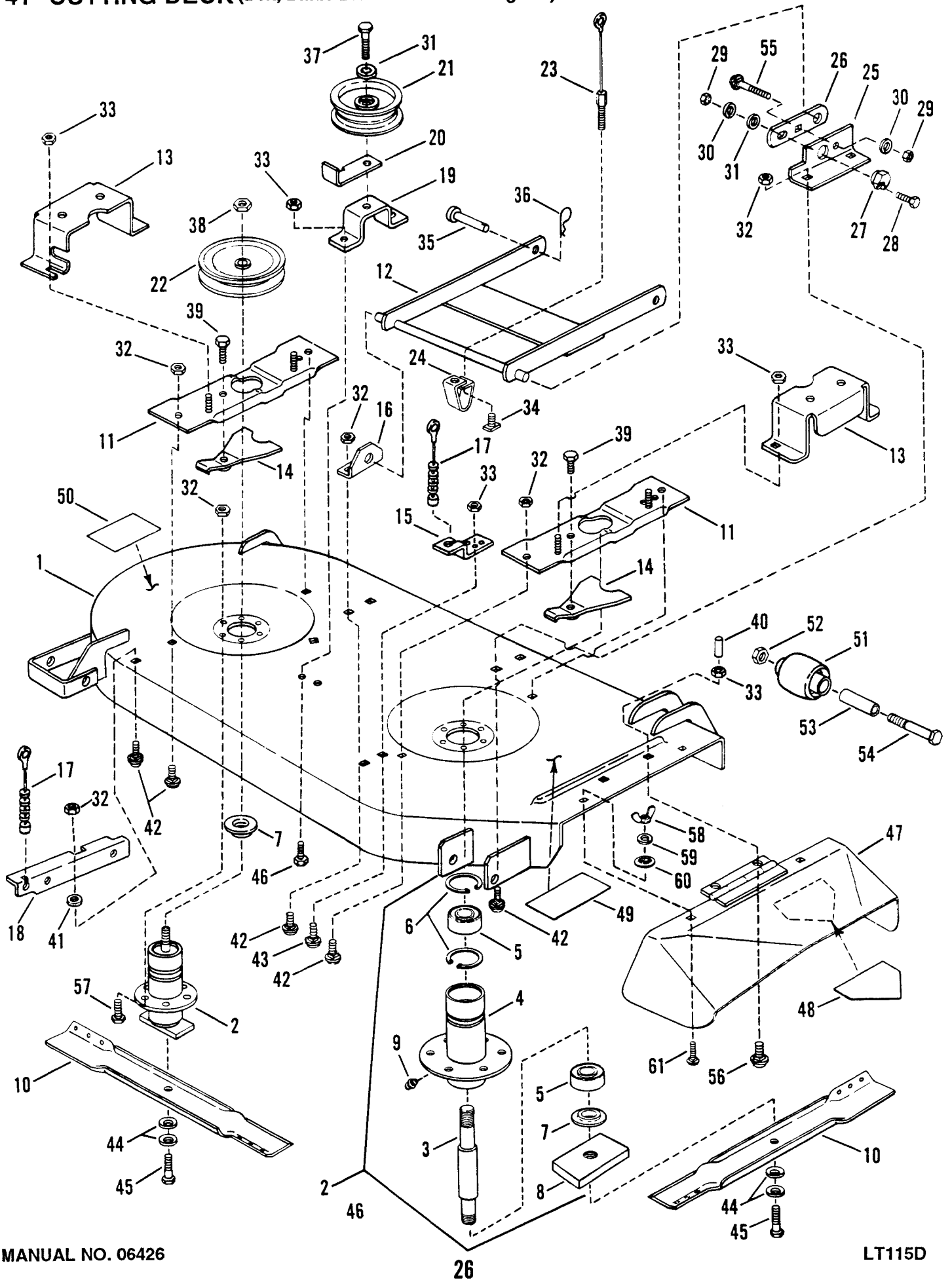
33" CUTTING DECK, BELTS, BRAKES



33" CUTTING DECK, BELTS, BRAKES

ITEM	PART NO.	DESCRIPTION	ITEM	PART NO.	DESCRIPTION
1	2-3710	BELT, 33" Drive	46	5-2294	HOUSING, Spindle (Includes item 47)
2	1-8581	PULLEY, 8" O.D.	47	1-0817	FITTING, Lube
3	1-0027	NUT, 3/4-16 Hex Jam	48	2-7711	SPINDLE, 33" Mower Deck
4	5-7307	BAND, Brake	49	1-2491	RING, Retaining (2)
5	3-2169	DRUM, Brake	50	1-3313	BEARING, Spindle (2)
6	1-0740	RING, Retaining (2)	51	1-4407	WASHER, Spindle (2)
7	4-7961	ARM, Idler	52	9-0559	NUT, 1/4-20 Hex Jam (4) (2 in assembly)
8	1-4304	PIN, 1/4 x 1 1/4" Clevis	53	9-0392	SCREW, 1/2-20 Hex Head Cap (4) (2 in assembly)
9	1-4302	BOLT, 1/4-20 Eye	54	3-7751	HOLDER, Blade
10	1-4303	NUT, 1/4-20 Tee	55	9-0356	NUT, 5/8-18 Hex Lock
11	9-0063	NUT, 1/4-20 Hex	56	9-0509	WASHER, 1/2 Int. Tooth Lock (2)
12	9-0164	SCREW, 3/8-24 x 1 1/2" Hex Head Cap	57	5-7482	ASSEMBLY, Blade & Air Lift (Includes items 58 thru 62)
13	9-0122	WASHER, 3/8 SAE (3)	58	1-9523	BLADE, 33" Mower Deck
14	1-8574	PULLEY, Idler, 4.12 O.D.	-	1-6982	BLADE, 33" Mower Deck (Recycling) (Not Included With This Assembly)
15	3-2368	GUIDE, Belt	59	3-7723	AIR-LIFT (2)
16	2-3180	CABLE, Front Lift	60	9-0228	SCREW, 5/16-24 x 11/16" Machine (6)
17	9-0585	NUT, 5/16-18 Hex Flange Lock (10)	61	9-0391	WASHER, 5/16 Internal Tooth Lock (2)
18	4-7959	LIFT, Front Arm	62	9-0223	NUT, 5/16-24 Hex (6)
19	1-2067	RING, Red (Right Side)	63	3-3115	BRACKET, Rear Lift (2)
20	1-0996	RING, White (Left Side)	64	1-6844	CABLE, Support (2)
21	9-0289	NUT, 3/8-24 Hex Lock (7)	65	1-2670	RING, Tolerance
22	3-8043	BRACKET, Front Lift Hanger	66	4-7960	CROSS-SHAFT
23	9-0388	T-NUT, 5/16-18	67	1-6153	SPRING
24	1-5067	PIN, Hair	68	1-5753	BALL-JOINT (2)
25	3-1914	PIN, Hinge	69	2-3687	LINK, Ball Joint
26	3-9586	HINGE, Deflector	70	9-0053	WASHER, 1/4 Int. Tooth Lock (2)
27	9-0612	BOLT, 3/8-16 x 3/4" Hex Flange Lock (14)	71	9-0095	NUT, 1/4-28 Hex (2)
28	9-0613	NUT, 3/8-16 Hex Flange Lock (14)	72	3-8018	BRACE, Spindle
29	5-1978	ASSEMBLY, Deflector (Includes item 30)	73	9-0001	BOLT, 5/16-18 x 3/4" Short Neck Carriage
30	1-3010	DECAL, Danger (Cut Finger)	74	9-0055	WASHER
31	9-0492	WING-NUT, 5/16-18	75	9-0037	COTTER-PIN, 3/32 x 3/4"
32	5-1917	DECK, Cutting, 33" (Includes items 33 & 87)	76	3-8451	BRACKET, Gage Wheel (Front)
33	1-4852	DECAL, Caution (Deflector)	77	3-8450	BRACKET, Gage Wheel (Rear) (2)
34	3-8455	ANCHOR, Brake	78	9-0004	BOLT, 5/16-18 x 1/2" Short Neck Carriage (6)
35	3-2803	BRACKET, Cross-Shaft (2)	79	9-0585	NUT, 5/16-18 Hex Flange Lock (7)
36	1-1016	BEARING, Cross-Shaft Bracket (2)	80	1-5272	SPACER (3)
37	9-0721	BOLT, 5/16-18 x 1/2" Hex Flange Lock (10)	81	9-0859	SCREW, 3/8-24 x 3 3/4" Hex Head Cap (3)
38	3-8453	RAIL, Side (2)	82	9-0289	NUT, 3/8-24 Hex Lock (3)
39	9-0563	SCREW, 3/8-16 x 1" Hex Head Cap	83	1-9190	WHEEL, Gage (3)
40	1-5012	ECCENTRIC, Leveling	84	3-3352	GUIDE, Belt
41	9-0130	NUT, 3/8-16 Hex (2)	85	9-0188	WASHER, 5/16 Flat (2)
42	9-0118	WASHER, 3/8 Split Lock (2)	86	2-0908	SPACER (2)
43	3-2432	LINK, Adjustment	87	1-6973	DECAL, Caution (Rotating Blades)
44	9-0850	BOLT, 3/8-16 x 3/4" Carriage			
45	5-9784	ASSEMBLY, Spindle (Includes items 46 thru 55)			

41" CUTTING DECK (Belt, Blade Brake Shown On Page 28)



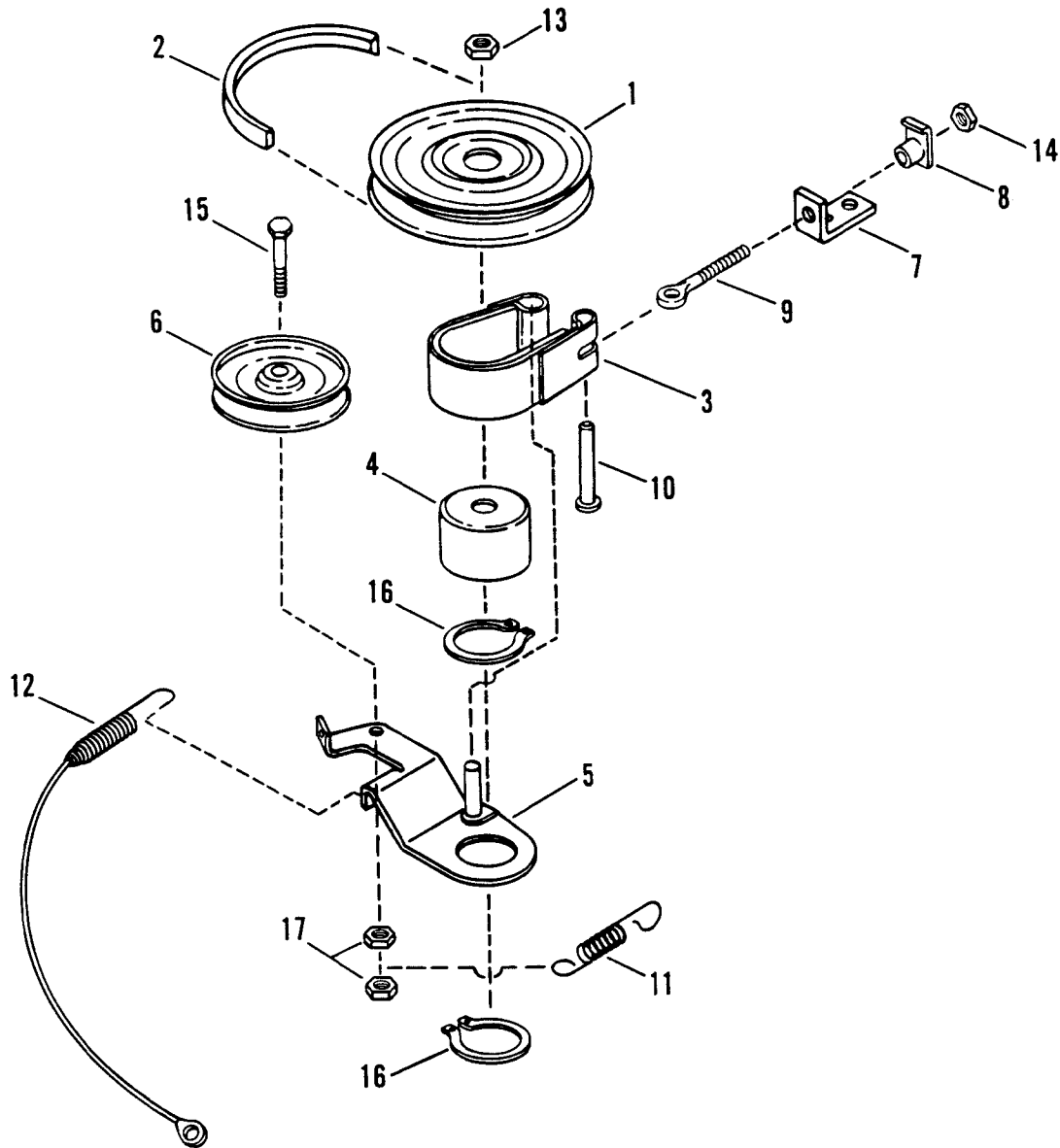
41" CUTTING DECK (Belt, Blade Brake Shown On Page 28)

ITEM	PART NO.	DESCRIPTION
1	5-1916	DECK, Mower, 41" (Includes items 49 & 50)
2	5-1914	ASSEMBLY, Spindle (Includes items 3 thru 9)
3	2-7668	SPINDLE
4	5-1918	HOUSING, Spindle (Includes item 9)
5	1-3313	BEARING, Spindle (2)
6	1-2491	RING, Retaining (2)
7	1-4407	WASHER, Spindle (2)
8	3-2294	HOLDER, Blade
9	1-0817	FITTING, Lube
10	1-9795	BLADE, 21" Cutter (2)
11	5-2487	ASSEMBLY, Rear Support (2)
12	4-9762	ASSEMBLY, Front Hanger
13	3-3367	GUARD, Pulley
14	5-1747	ASSEMBLY, Spindle Lock (2)
15	3-3083	ASSEMBLY, Chain Support
16	3-2297	BRACKET, Front Left Hanger
17	1-6844	CABLE, Support (2)
18	3-3086	ASSEMBLY, Rear Support
19	5-1748	BRACKET, Idler Mount
20	3-2368	GUIDE, Belt
21	1-8574	PULLEY, Idler (2)
22	1-5724	PULLEY, Spindle (2)
23	2-3180	CABLE, Front Lift
24	3-8043	BRACKET, Front Lift Arm Hanger
25	3-8382	BRACKET, Front Right
26	3-2432	LINK, Adjustment
27	1-5012	RING, Adjustment
28	9-0563	SCREW, 3/8-16 x 1" Hex Head Cap
29	9-0130	NUT, 3/8-16 Hex (2)
30	9-0118	WASHER, 3/8" Split Lock (2)
31	9-0122	WASHER, 3/8 Flat
32	9-0613	NUT, 3/8-16 Hex Flange Lock (22)
33	9-0585	NUT, 5/16-18 Hex Flange Lock (9)
34	9-0388	T-NUT, 5/16-18
35	1-2951	PIN, 1/2 x 1 3/8" Clevis
36	1-3844	HAIRPIN, Cotter
37	9-0655	SCREW, 3/8-16 x 1 1/2" Hex Cap
38	1-0027	NUT, 3/4-16 Hex Jam (2)
39	9-0582	BOLT, 3/8-16 x 1" Hex Flange Lock (2)
40	2-3606	CAP, Vinyl (2)
41	9-0600	WASHER, 7/16 Flat
42	9-0850	BOLT, 3/8-16 x 3/4" Carriage (9)
43	9-0788	BOLT, 5/16-18 x 3/4" Carriage (2)
44	1-2063	WASHER, 13/32 x 1 13/32" Dia., Cone (4)
45	9-0824	SCREW, 3/8-24 x 1 1/4" Hex Cap (2)
46	9-0595	BOLT, 5/16-18 x 3/4" Hex Flange Lock
47	5-1401	DEFLECTOR, Side Chute (Includes item 48)
48	1-3010	DECAL, Danger
49	1-4852	DECAL, Caution (Deflector in Place)
50	1-6973	DECAL, Caution (Rotating Blades)
51	1-9190	WHEEL, Gage (4)
52	9-0289	LOCKNUT, 3/8-24 Hex (4)
53	1-5272	SPACER (4)
54	9-0859	SCREW, 3/8-24 x 3 3/4" Hex Head Cap (4)
55	9-0850	BOLT, 3/8-16 x 3/4" Short Neck Carriage
56	9-0383	BOLT, 5/16-18 x 1" Short Neck Carriage (2)
57	9-0612	BOLT, 3/8-16 x 3/4" Hex Flange Lock (12)
58	9-0375	WING-NUT, 5/16-18 (2)
59	9-0187	WASHER, 5/16 Split Lock (2)
60	1-1791	RETAINER, 5/16 Bolt
61	9-0799	BOLT, 5/16-18 x 5/8" Carriage (2)

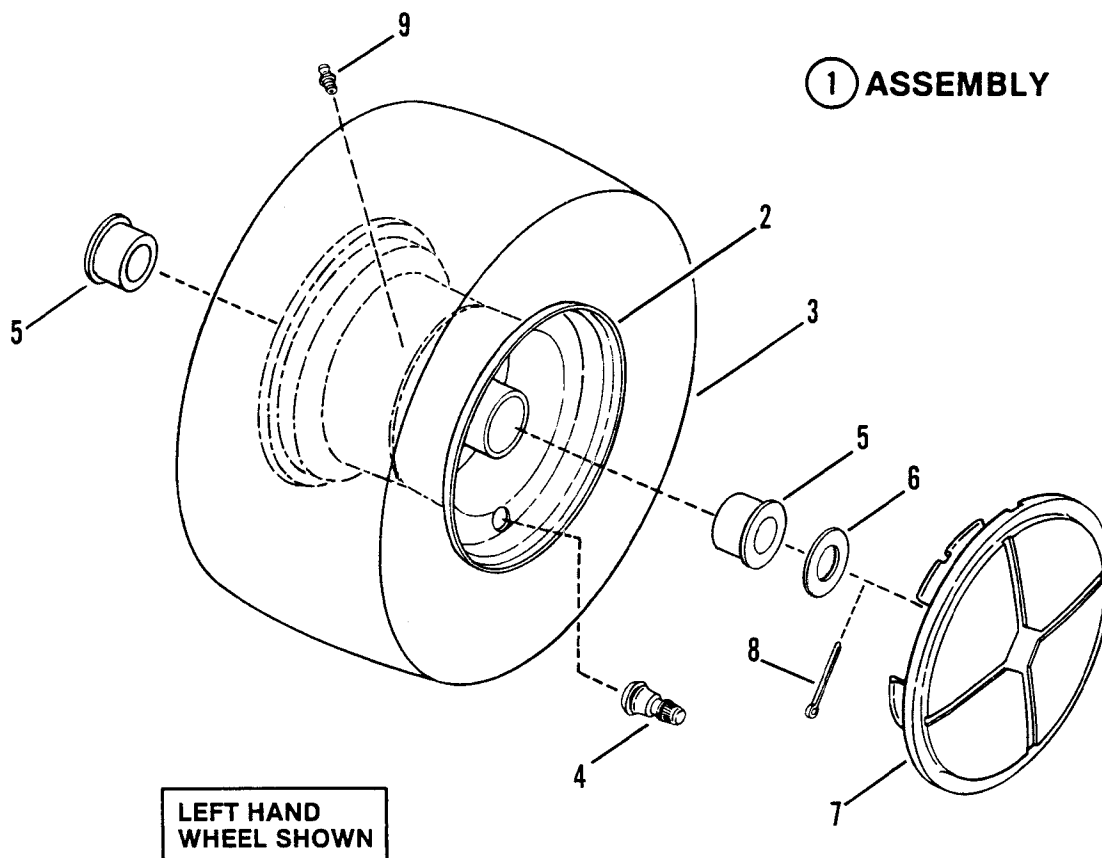
DECALS NOT SHOWN

DECAL P.N. 2-2992 (41 INCH)

BELT, BLADE BRAKE, 41" CUTTING DECK

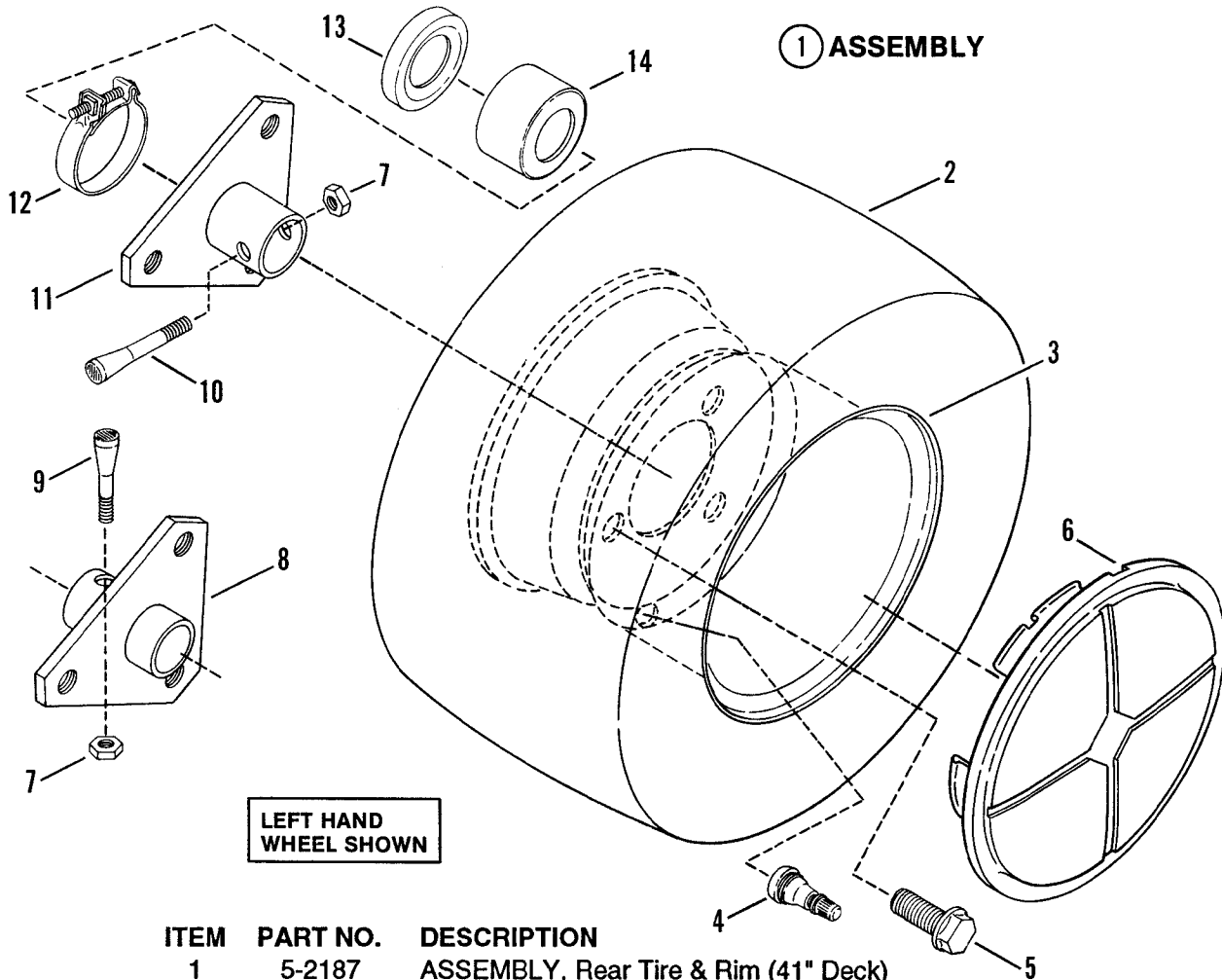


ITEM	PART NO.	DESCRIPTION
1	1-5724	PULLEY, Drive
2	1-4799	BELT, Drive
3	5-7307	ASSEMBLY, Brake Band
4	3-2169	DRUM, Brake
5	4-7912	ASSEMBLY, Brake Arm
6	1-8574	PULLEY, Idler
7	3-2587	ANCHOR, Brake
8	1-4303	TEE-NUT, 1/4-20
9	1-4302	BOLT, 1/4-20 Eye
10	1-1021	PIN, Clevis, 1/4 x 1 1/4"
11	2-3172	SPRING, Blade Brake
12	1-9040	CABLE, Blade
13	1-0027	NUT, 3/4-16 Hex Jam
14	9-0063	NUT, 1/4-20 Hex
15	9-0167	SCREW, 3/8-24 x 2" Hex Hd. Cap
16	1-0740	RING, Retainer (2)
17	9-0289	NUT, 3/8-24 Hex Lock (2)



ITEM	PART NO.	DESCRIPTION
1	5-2185	ASSEMBLY, Front Tire & Rim (Includes items 2,3, & 4)
2	1-6739	RIM, 6 x 4.50
3	1-6740	TIRE, 15-6.00 x 6
4	1-2234	VALVE, Air (Snap-in)
5	1-4483	BEARING, Wheel (2)
6	3-2027	WASHER
7	1-9417	WHEEL-COVER
8	9-0364	COTTER-PIN
9	1-3876	FITTING, Lube

WHEELS - REAR



LEFT HAND
WHEEL SHOWN

ITEM	PART NO.	DESCRIPTION
1	5-2187	ASSEMBLY, Rear Tire & Rim (41" Deck) (LT115D41) (Includes items 2, 3, & 4)
--	5-2675	ASSEMBLY, Rear Tire & Rim (33" Deck) (LT115D33 & RLT115D33) (Includes items 2, 3, & 4)
2	1-6744	TIRE, 18-8.50 x 8 (Used with 41" Deck)
--	2-2688	TIRE, 18-7.50 x 8 (Used with 33" Deck)
3	1-6742	RIM, 8 x 7 (Used with 41" Deck)
--	1-6741	RIM, 8 x 5.375 (Used with 33" Deck)
4	1-2234	VALVE, Air (Snap-in)
5	9-0367	BOLT, 1/2-20 x 3/4" Lug (3)
6	1-9418	WHEEL COVER
7	1-1201	NUT, 5/16-24 Hex Lock (2)
8	4-0433	HUB, Rear Wheel (Right Hand)
9	1-1013	BOLT, 5/16-24 x 2" Tapered (Right Hand)
10	1-1035	BOLT, 5/16-24 x 1 5/8" Tapered (Left Hand)
11	4-0434	HUB, Rear Wheel (Left Hand)
12	1-1037	CLAMP
13	1-1817	SEAL, Oil (Left Hand)
14	3-1732	CAP, Seal (Left Hand)

SNAPPER® McDonough, GA., 30253 U.S.A.