

Parts Manual for

SNAPPER®

21" CAST DECK WALK BEHIND MOWER EUROPEAN SERIES 3

MODEL
<i>ELP216753BDV (7800140)</i>
<i>ELP21703BV (7800047)</i>
<i>ELP21703BV (7800121)</i>
<i>ELP21703BV (80662)</i>
<i>ELP21703BDV (7800255)</i>



Briggs & Stratton Yard Power Products Group

535 Macon Road
McDonough, GA, 30253 U.S.A.
800-935-2967

Revision C, 8/12/2008

Manual No. 7006204

TP 400-5062-C-WB-N

PAGE	GROUP
4	HANDLES & CONTROLS
8	ENGINE, CUTTING DECK, BLADE
10	WHEELS, FRONT & REAR
12	TRANSMISSION
14	DECALS
16	ACCESSORIES

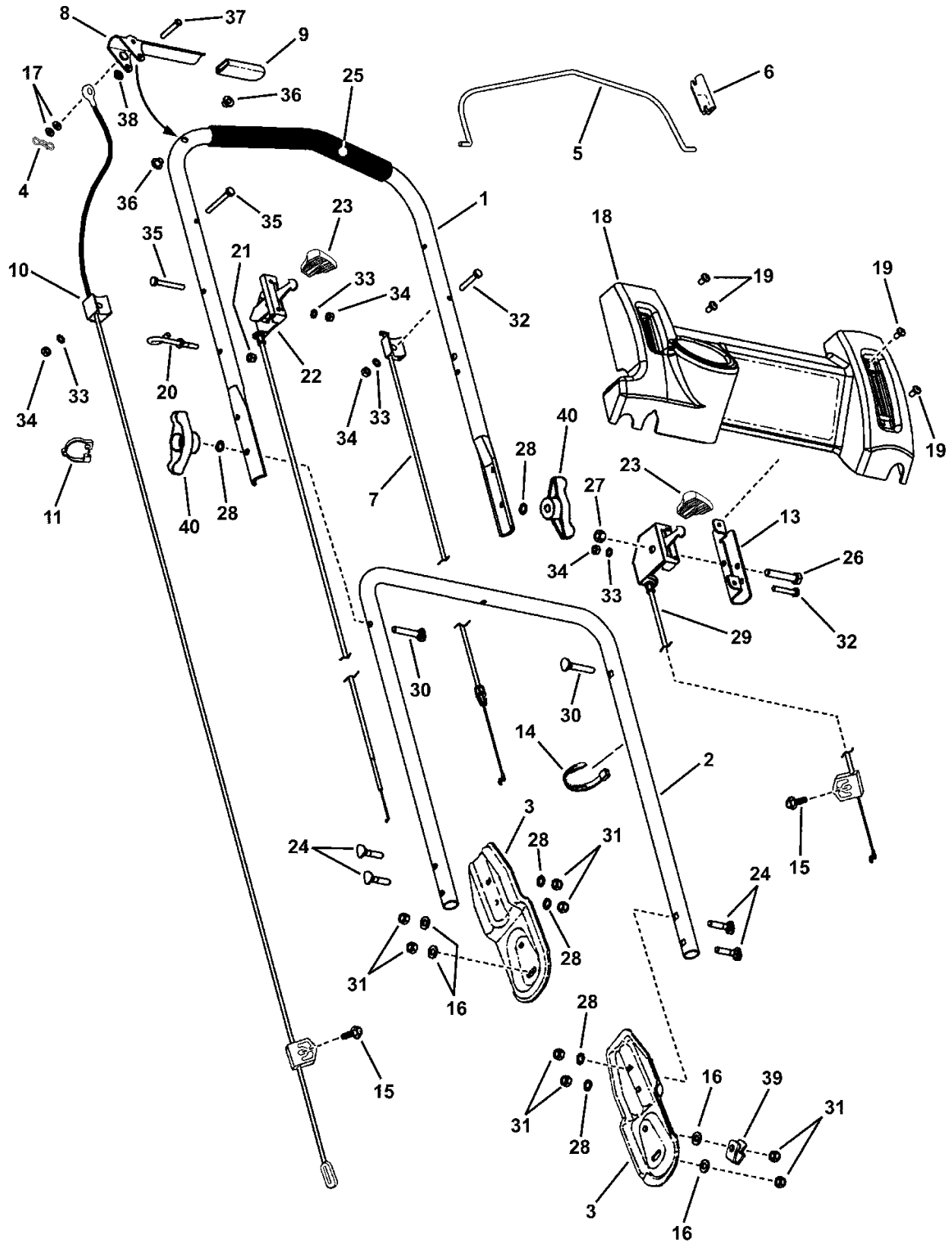
HANDLES & CONTROLS

Item	Part No	Qty	Description	Note
1	7074411	1	HANDLE, Upper	
2	7074156	1	HANDLE, Middle	
3	7034864	2	BRACKET, Handle	
4	7073821	1	COTTER PIN, Bow Tie Locking	
5	7074418	1	BAIL, OPC Control	
6	7034872	1	CLIP, Zone Control	
7	7034608	1	* CABLE, Zone Control (53.98")	
7	7100976	1	* CABLE, Zone Control (OPC) DOV Engine (53.73")	<i>used on Model ELP216753BDV</i>
8	7046520	1	WELDMENT, Handle Clutch	
9	7028407	1	GRIP, International Symbol	
10	7046518	1	CABLE, Clutch (Adjustable)	
11	7026219	5	CLAMP, 7/8" Double Cable	
12	7012080	1	CABLE-TIE, 7"	<i>not shown</i>
13	7073064	1	BRACKET, Shift	
14	7024641	4	WIRE TIE, 1.29" Long Black	
15	7091075	2	SCREW, #10-24 x 5/8" Slotted Hex Washer Head Self-Tap	
16	7090188	8	WASHER, 11/32" Flat	
17	7091552	2	WASHER, 7/32" Flat	
18	7074140	1	CONTROL PANEL (w/o EI. Switch Hole)	
19	7091200	4	SCREW, 1/4-20 x 1/2" Pan Head Self-Tap (Torx)	
20	7028488	1	ROPE GUIDE (1/4-20 threads)	
21	7076978	1	NUT, 1/4-20 Hex Nyloc	
22	7074460	1	* THROTTLE CONTROL, 7.0 HP B&S (48.5")	
22	7100999	1	* THROTTLE CONTROL, 6.75 HP B&S DOV (48.0")	<i>used on Model ELP216753BDV</i>
23	7075308	2	THROTTLE KNOB	
24	7091190	4	BOLT, 5/16-18 x 1-1/2" Curved Head Carriage	
25	7023810	1	FOAM GRIP, 18.75"	
26	7091088	2	SCREW, 3/8-16 x 2" Hex Head Self-Tap	
27	7091585	2	NUT, 3/8-16 Hex Center Lock	
28	7090391	6	WASHER, 5/16" Internal Tooth Lock	
29	7029369	1	* CONTROL, Speed Select	
30	7091189	2	SCREW, 5/16-18 x 2" Square Neck Curved Head	
31	7091298	8	NUT, 5/16-18 Hex Nyloc	
32	7079577	3	SCREW, 1/4-20 x 1-1/2" Hex Head Cap GR 5	
33	7090053	5	WASHER, 1/4" Internal Tooth Lock	<i>or 7091023</i>
34	7091576	5	NUT, 1/4-20 Hex	<i>or 7091100</i>
35	7090505	2	SCREW, 1/4-20 x 2" Hex Head Cap GR 5	

Footnotes:

NOTE: * Snapper part number is stamped on cable.

HANDLES & CONTROLS



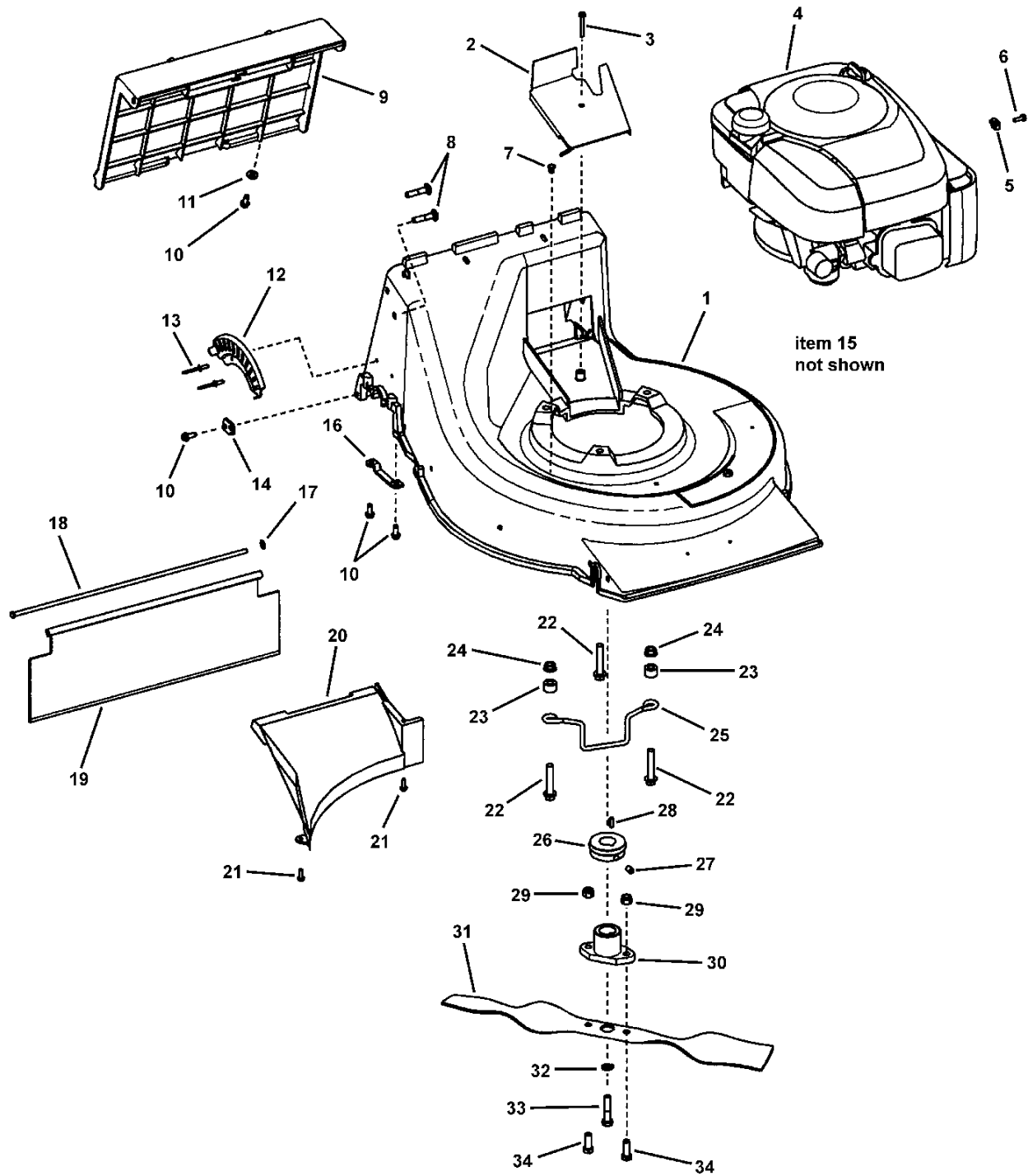
HANGLES & CONTROLS

Item	Part No	Qty	Description	Note
36	7014343	2	BUSHING, .27 x .35 x .4 Flange	
37	7023792	1	PIN, 1/4 x 1-1/2"	
38	7091020	1	PUSHNUT, 1/4"	
39	7026436	1	CLAMP, Double Tube	
40	7035744	2	KNOB, 5/16-18 Wing (Black)	

Footnotes:

NOTE: * Snapper part number is stamped on cable.

ENGINE, CUTTING DECK, BLADE



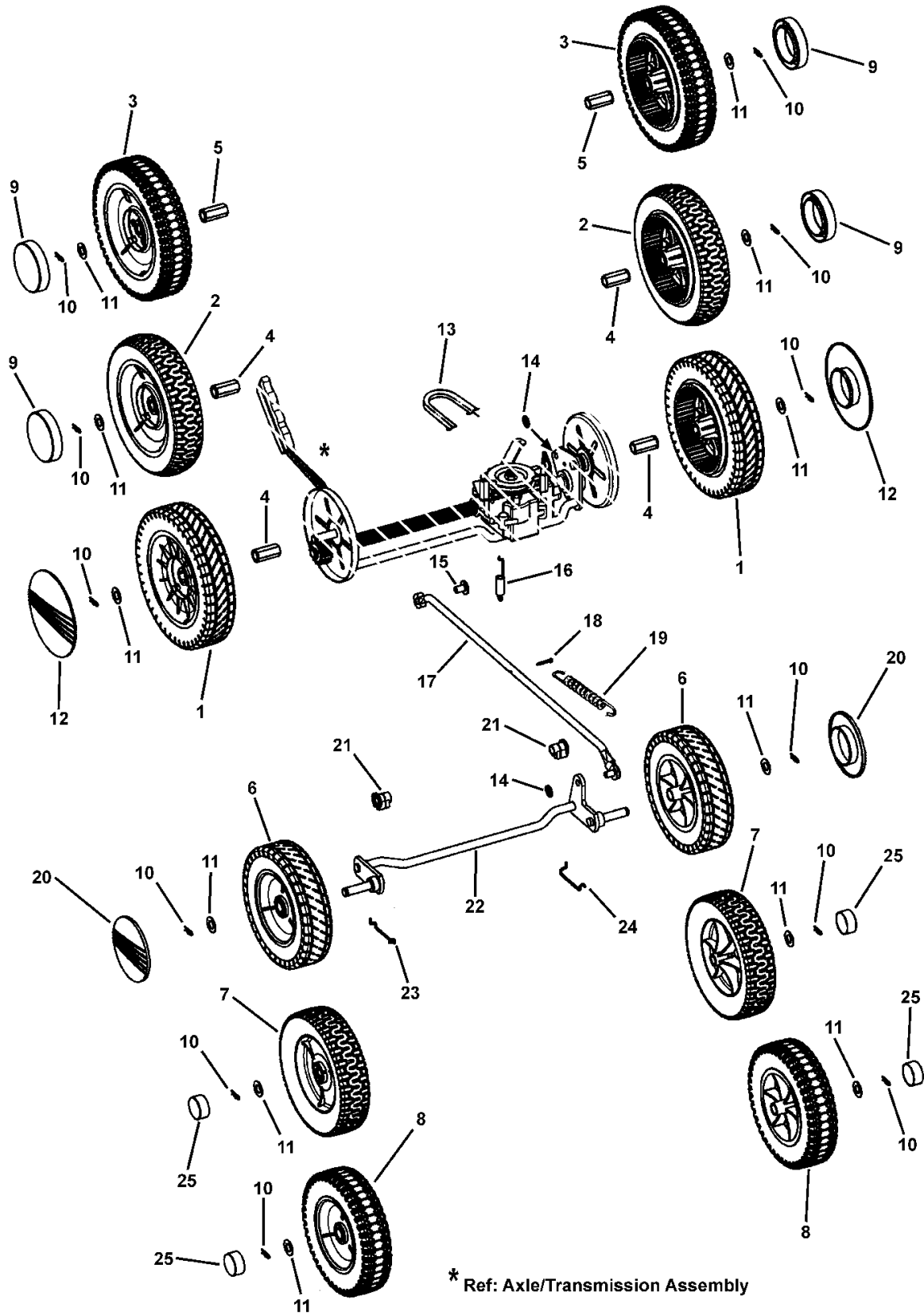
ENGINE, CUTTING DECK, BLADE

Item	Part No	Qty	Description	Note
1	7061962	1	DECK, 21" Cast Aluminum Rocker (Red)	<i>was 7073626</i>
2	7074124	1	BELT COVER, Commercial Metal B&S	
3	7091201	1	SCREW, #10-24 x 1-1/2" Slotted Hex Washer Head Self-Tap	
4	--	1	* ENGINE, 6.75 H.P. Briggs Dov, Euro, Mod. 100602-0122-B1	
4	--	1	* ENGINE, 7.0 H.P. Briggs Intek, Euro, Mod. 128602-0112-E1	
4	--	1	* ENGINE, 7.0 H.P. Briggs Dov, Euro OHV, Mod. 100602-0139-B1	
5	7023153	1	CLAMP, Casing	
6	7023154	1	SCREW, #10-32 x 5/8" Self-Tap	
7	7073293	1	PLUG, Hole (Polyethylene)	
8	7091714	4	BOLT, 5/16-18 x 1" Round Head Carriage GR 5	<i>or 7091238</i>
9	7052881	1	ASSEMBLY, Discharge Door	
10	7091819	8	SCREW, 1/4-20 x 5/8" Hex Washer Face Self-Tap	<i>or 7090362</i>
11	7091294	2	WASHER, .28 x .63 x .06 Flat	<i>was 7090055</i>
12	7033752	1	PLATE, Height Adjust	
13	7091191	2	RIVET, 3/16 x 1/2" Steel	
14	7043835	1	BRACKET, RH Trailing Shield Pivot Rod	
15	7043836	1	BRACKET, LH Trailing Shield Pivot Rod	<i>not shown</i>
16	7033732	2	SUPPORT, Rear Axle	
17	7091892	1	PUSHNUT, 1/4" Black	
18	7043808	1	ROD, Trailing Shield Pivot (1/4" Dia. x 16-1/4" long)	
19	7043870	1	SHIELD, Trailing, Commercial Cast	
20	7024595	1	BAFFLE, Discharge	
21	7091075	5	SCREW, #10-24 x 5/8" Slotted Hex Washer Head Self-Tap	
22	7091088	2	SCREW, 3/8-16 x 2" Hex Head Self-Tap	
23	7016719	2	IDLER SPACER	
24	7090613	2	NUT, 3/8-16 Hex Flange Lock	<i>or 7091619</i>
25	7072143	1	BELT GUIDE (Wireform)	
26	7015780	1	PULLEY, Traction Drive (25mm x 2-1/8" O.D.)	
27	7092086	1	SET SCREW, 5/16-18 x 1/2" Hex Recess	
28	7091214	1	KEY, Hi-Pro #HP506 (Briggs engine)	
29	7076979	2	NUT, 3/8-16 Hex Nyloc	
30	7026631	1	HUB, Blade Drive, 25mm Internal Dia.	<i>(with integral key)</i>
31	7026428	1	BLADE, 21" Bagging	
32	7079268	1	WASHER, 3/8" Split Lock (Heavy)	
33	7090483	1	SCREW, 3/8-24 x 1-3/4" Hex Head Cap GR 5	
34	7091304	2	SCREW, 3/8-16 x 1" Hex Head Cap, GR 5	

Footnotes:

NOTE: * Purchase engine components directly from engine manufacturer dealer.

WHEELS, FRONT & REAR

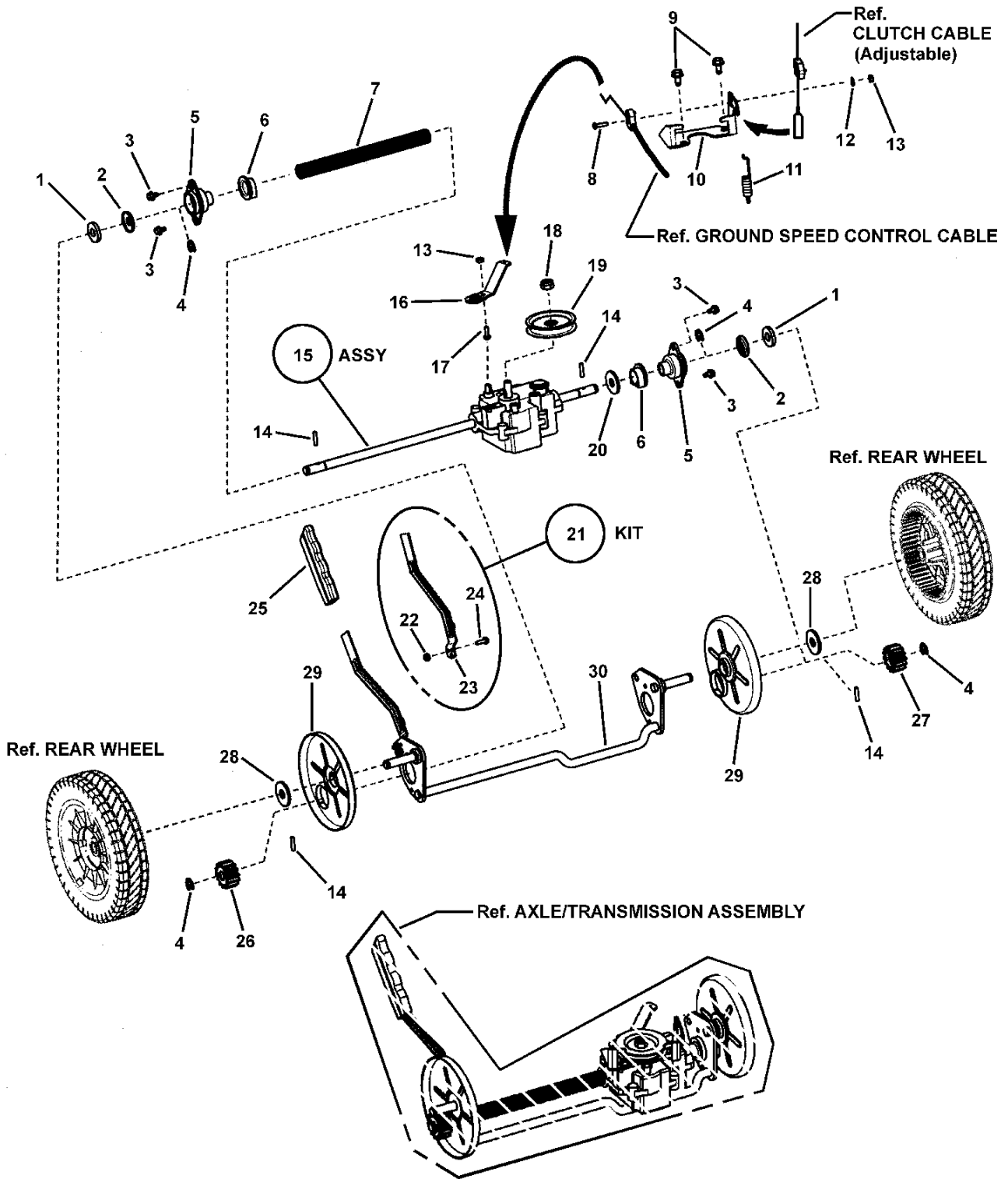


WHEELS, FRONT & REAR

Item	Part No	Qty	Description	Note
1	7074629	2	REAR WHEEL ASSY, 9 x 2 ("Mass" Tread)	<i>includes Bushing 7073618; use with Hub 7024540</i>
2	7100184	2	REAR WHEEL ASSY, 9 x 2 (LS Tread)	<i>includes Bushing 7073618; use with Hub 7100114</i>
3	7101104	2	REAR WHEEL ASSY, 9 x 2 (Double Bar II Tread)	<i>includes Bushing 7024541; use with Hub 7100114</i>
4	7073618	2	BUSHING, Wheel (powdered metal)	
5	7024541	2	BUSHING, Wheel (nylon)	
6	7028456	2	FRONT WHEEL ASSY, 8 x 2 ("Mass" Tread)	<i>use with Hub 7016152</i>
7	7100015	2	FRONT WHEEL ASSY, 8 x 2, (LS Tread)	
8	7101105	2	FRONT WHEEL ASSY, 8 x 2, (Double Bar II Tread)	
9	7100114	2	HUB CAP, 3-1/4" Diameter, Black	
10	7091193	4	HAIRPIN, 1/16 x 29/32" Cotter	
11	7091192	4	WASHER, 1/2" Flat	
12	7024540	2	HUB CAP, 9" Euro	
13	7029492	1	BELT, Traction Drive, Sect. 3L, 33.20" effective length	<i>engine/transmission</i>
14	7013946	2	WHEEL RETAINER, 3/8"	
15	7091232	1	PIN, 3/8 x 5/8"	
16	7046522	1	SPRING, Clutch	<i>(Also shown on Transmission Page)</i>
17	7041364	1	WELDMENT, Tie Bar	
18	7091598	1	COTTER PIN, 1/8 x 3/4"	<i>was 7090365</i>
19	7024751	1	SPRING, Tie Bar	
20	7016152	2	HUB CAP, Front Wheels	
21	7024558	2	BUSHING, Front Axle	
22	7041344	1	WELDMENT, Front Axle	
23	7034341	1	SPRING, Axle Retaining RH	
24	7034340	1	SPRING, Axle Retaining LH	
25	7100088	2	HUB CAP, 1-3/8: Diameter	<i>black</i>

Footnotes:

TRANSMISSION

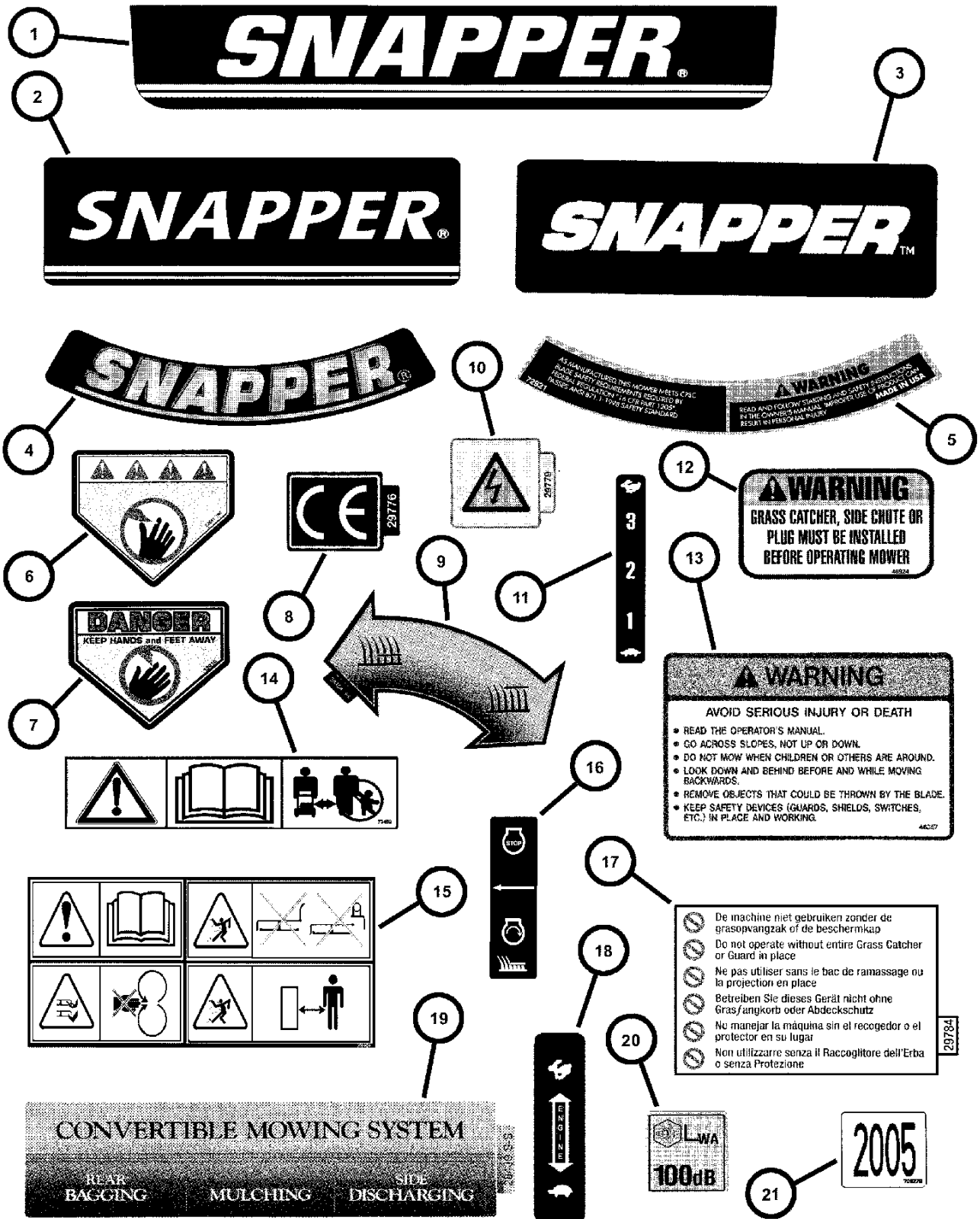


TRANSMISSION

Item	Part No	Qty	Description	Note
		1	AXLE/TRANSMISSION ASSEMBLY (Ref. only, not a parts sale item)	
1	7026479	2	SEAL, Pinion (Felt)	
2	7026478	2	RETAINER, Pinion Seal	
3	7091084	4	SCREW, 1/4-20 x 3/8" Hex Washer Head, Self-Tap	
4	7014341	4	RING, External Retaining	Waldes # 5133-50
5	7025066	2	ASSEMBLY, Bearing Carrier	includes bearing p/n 7024724
6	7024715	2	BUSHING, Rear Axle (S/P)	
7	7024748	1	TUBING, 5/8 I.D. Convolute	
8	7091941	1	SCREW, #10-24 x 3/4" Pan Head Machine	
9	7090361	2	SCREW, 5/16-18 x 5/8" Hex Washer Head, Self-Tap	
10	7035325	1	BRACKET, Transmission	
11	7046522	1	SPRING, Clutch	
12	7091552	1	WASHER, 7/32" Flat	
13	7091267	2	* NUT, #10-24 Hex Center Lock	
14	7024749	2	PAWL, 3/16" O.D.	
15	7028813	1	TRANSMISSION ASSY, 3SP Commercial	
16	7035540	1	* LEVER, Transmission (Metal)	
17	7091075	1	* SCREW, #10-24 x 5/8" Slotted Hex Washer Head Self-Tap	
18	7091187	1	NUT, M10 x 1.50 Hex Nyloc	
19	7029494	1	PULLEY, Transmission	
20	7024879	1	WASHER, Felt	
21	7061272	1	KIT, Height Adjusting Lever (incl. items 22-24)	
22	7090376	2	NUT, #10-32 Hex Nyloc	
23	7033967	1	LEVER, Height Adjusting (Black)	
24	7091289	2	SCREW, #10-32 x 5/8, Hex Washer Self-Tap, GR 5	
25	7026420	1	GRIP, Flat Bar	
26	7024549	1	PINION, RH Drive	
27	7024550	1	PINION, LH Drive	
28	7091194	2	WASHER, 17/32" Flat	
29	7024573	2	SHIELD, Dust	
30	7074207	1	WELDMENT, Rear Axle	

Footnotes:

NOTE: * These three parts make up 7054114, Transmission Lever Assembly.

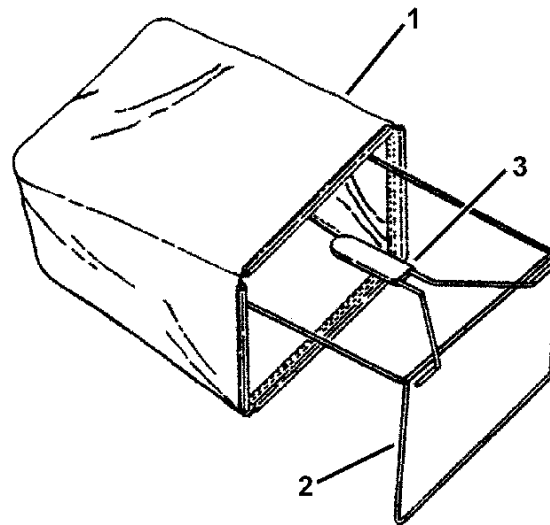


DECALS

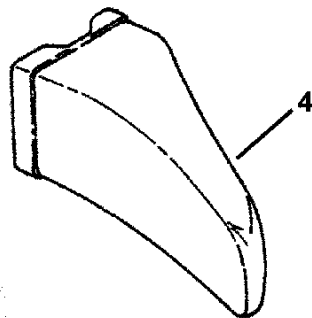
Item	Part No	Qty	Description	Note
1	7100180	1	DECAL, SNAPPER Name Plate	
2	7100182	1	DECAL, SNAPPER Control Panel	
3	7027255	1	DECAL, SNAPPER, Panel	
4	7075618	1	DECAL, SNAPPER	
5	7072921	1	DECAL, Warning (Deck)	
6	7022841	1	DECAL, Warning (International Symbol)	
7	7013010	1	DECAL, Danger (Keep Hands and Feet Away)	
8	7029776	1	DECAL, European Community (CE)	
9	7028454	1	DECAL, Height Control Instruction (Euro)	
10	7029779	1	DECAL, Spark Plug International Symbol	
11	7075475	1	DECAL, Speed Shift- ELP, ECLP	
12	7046924	1	DECAL, Chute Deflector (Cast)	
13	7046357	1	DECAL, Warning 1997	
14	7073462	1	DECAL, Caution Symbols	
15	7101084	1	DECAL, Warning Euro Multi-Panel	
16	7029782	1	DECAL, OPC Bail International Symbol	
17	7029784	2	DECAL, Chute/International Warning	
18	7075532	1	DECAL, Throttle Control, B&S	
19	7028439	1	DECAL, Convertible Mower	
20	7074135	1	DECAL, Noise, 100 dB (shown)	
20	7100579	1	DECAL, Noise, 98 dB (not shown)	
21	7011279	1	DECAL, 2005 Year of Manufacture	
21	7100611	1	DECAL, 2006 Year of Manufacture (not shown)	
21	7101285	1	DECAL, 2007 Year of Manufacture (not shown)	

Footnotes:

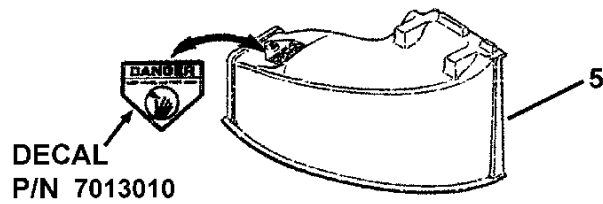
GRASS CATCHER PARTS



MULCHING PARTS



DISCHARGING PARTS



ACCESSORIES

Item	Part No	Qty	Description	Note
1	7028445	1	GRASS BAG, SNAPPER Platinum Series	<i>GRASS CATCHER PARTS</i>
2	7044915	1	FRAME, Catcher Weldment	<i>GRASS CATCHER PARTS</i>
3	7026421	1	GRIP, Rectangular (Black)	<i>GRASS CATCHER PARTS</i>
4	7026390	1	PLUG, Mulching	<i>MULCHING PARTS</i>
5	7026714	1	CHUTE, Side Discharge (incl. WARNING Decal, p/n 7013010)	<i>DISCHARGING PARTS</i>

Footnotes:

Parts Manual for

SNAPPER®

21" CAST DECK WALK BEHIND MOWER EUROPEAN SERIES 3

IT IS THE POLICY OF BRIGGS & STRATTON CORP. TO IMPROVE ITS PRODUCTS WHENEVER IT IS POSSIBLE AND PRACTICAL TO DO SO. WE RESERVE THE RIGHT TO MAKE CHANGES OR ADD IMPROVEMENTS AT ANY TIME WITHOUT INCURRING ANY OBLIGATION TO MAKE SUCH CHANGES ON PRODUCTS MANUFACTURED

Briggs & Stratton Yard Power Products Group

535 Macon Road
McDonough, GA, 30253 U.S.A.
800-935-2967

www.snapper.com

Copyright © 2008 Briggs & Stratton Corporation
Milwaukee, WI USA. All Rights Reserved

Manual No. 7006204
Revision C, 8/12/2008
TP 400-5062-C-WB-N